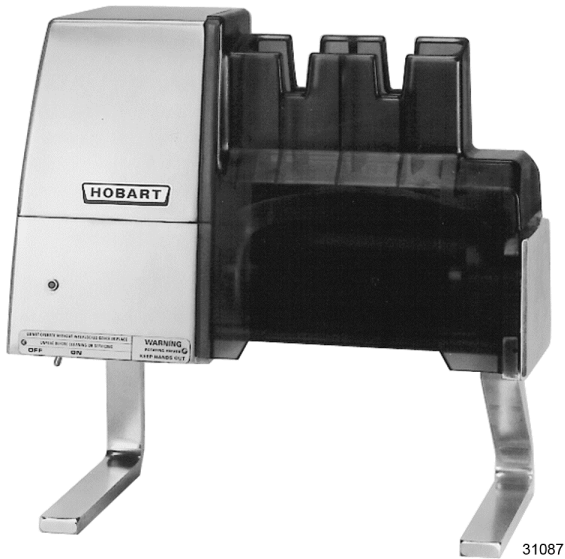




CATALOG OF REPLACEMENT PARTS

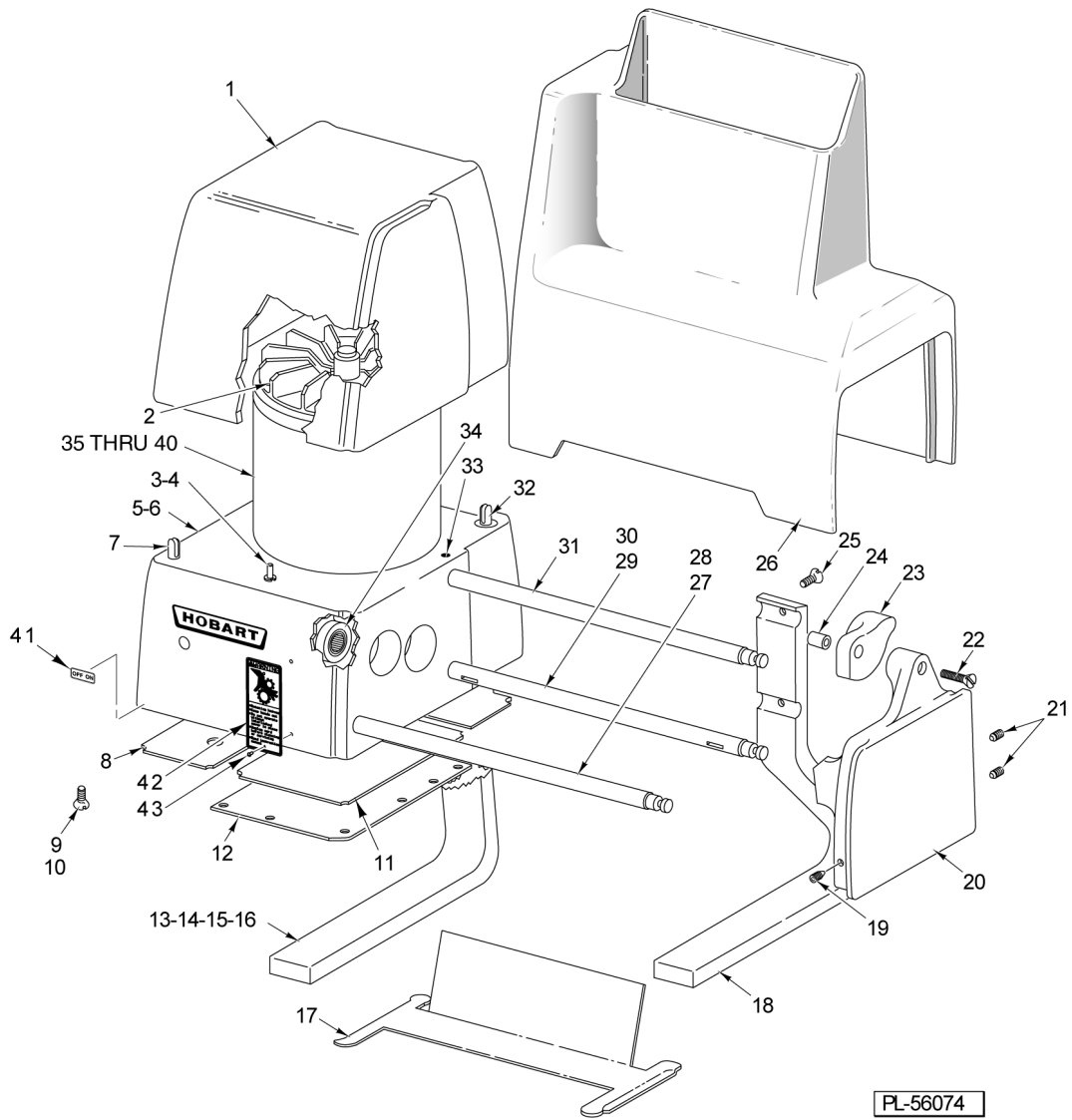
403 Series Tenderizer



ML-38761
ML-38762
ML-104603

Table of Contents

5	HOUSING UNIT
7	DRIVE UNIT
9	LIFT OUT UNIT (CLUSTER KNIVES)
11	LIFT OUT CLUSTER UNIT JULIENNE (NARROW/WIDE CLUSTER KNIVES)
13	ELECTRICAL UNIT

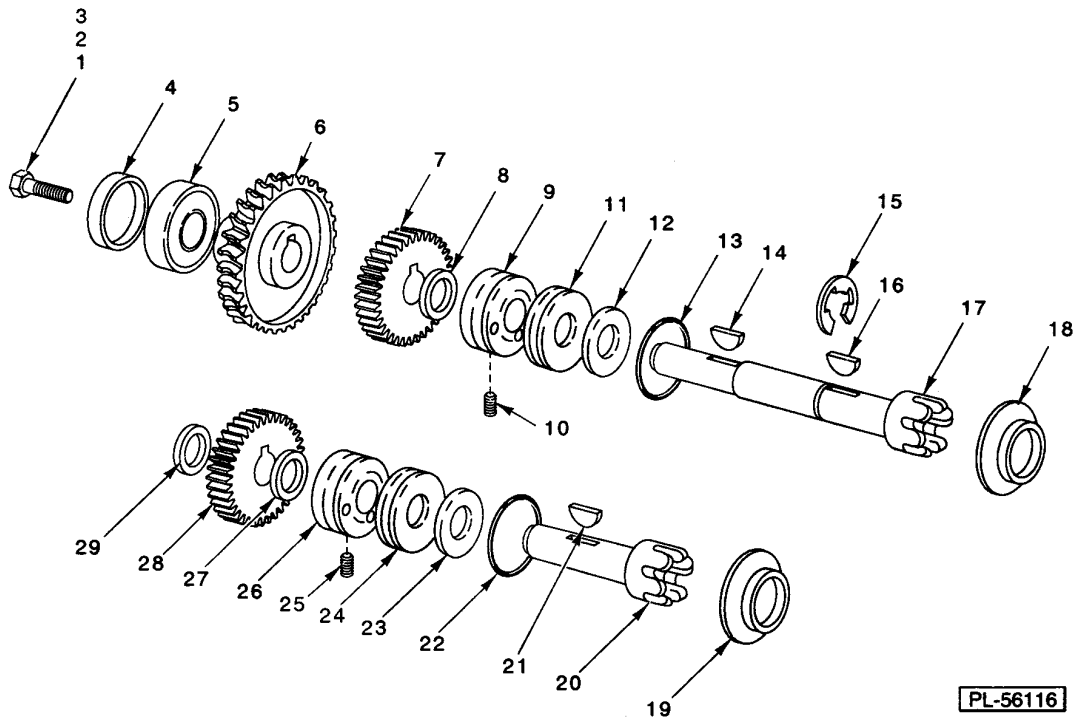


HOUSING UNIT

HOUSING UNIT

ILLUS.	PART NO.	NAME OF PART	AMT.
	PL-56074		
1	00-290148	Motor Housing Assy.....	1
2	00-437288	Fan (Incls. Clip).....	1
3	00-076994	Dipstick.....	1
4	RR-010-21	Retaining Ring.....	1
5	00-438584-00001	Gear Case Assy. (60 Hz.) (Incls. Items 7, 32, 34, & Motor Shaft Seal 00-069348).....	1
6	00-438584-00002	Gear Case Assy. (50 Hz.) (Incls. Items 7, 32, 34, & Motor Shaft Seal 00-069348).....	1
7	00-069387	Stud.....	1
8	00-437673-00001	Cover - Bottom (W/O Overload).....	1
9	SD-024-01	Self-Tapping Screw 10-24 x 1/2 Flat Hd., Type TT.....	16
10	SC-119-57	Mach. Screw 1/4-20 x 3/8.....	2
*11	00-438744	Gasket.....	1
12	00-291068	Cover - Gear Case.....	1
13	00-069345	Leg - Left.....	1
14	WL-003-44	Lockwasher 5/16 Helical.....	2
15	NS-013-14	Nut 5/16-18 Hex.....	2
16	WS-005-37	Washer (Use to Shim Item 13).....	AR
17	00-069354	Shield.....	1
18	00-069346	Leg - Right.....	1
19	SC-116-87	Set Screw 1/4-20 x 1/4 Special.....	1
20	00-438583-00002	Support - End Mach.....	1
21	SC-116-87	Set Screw 1/4-20 x 1/4 Special.....	2
22	SC-114-98	Mach. Screw 10-24 x Slotted Flat Hd.....	1
23	00-436428	Lock - Hanger.....	1
24	00-436429	Ferrule - Hanger.....	1
25	SC-022-43	Mach. Screw 5/16-18 x 1/2 Flat Hd.....	2
26	00-270348	Guard - Transparent.....	1
27	00-069353-00002	Tie Bar - Front.....	1
28	SC-116-87	Set Screw 1/4-20 x 1/4 Special.....	1
29	00-069353-00001	Tie Bar - Lower Rear.....	1
30	SC-116-87	Set Screw 1/4-20 x 1/4 Special.....	1
31	00-069353-00003	Tie Bar - Upper Rear.....	1
32	00-069395	Stud & Base Assy.....	1
33	SC-116-87	Set Screw 1/4-20 x 1/4 Special.....	1
34	BN-005-03	Bearing Needle.....	1
35	00-293452-00003	Starting Relay (60 Hz.) (3 Terminals).....	1
36	00-293452-00004	Starting Relay (50 Hz.) (3 Terminals).....	1
37	00-271612-00002	Switch - Electronic Start (50/60 Hz.).....	1
38	00-439935-00001	Motor (115V / 60Hz / 1 Phase) (Incls Items 2 and 37).....	1
39	00-439935-00002	Motor (220-240V / 50Hz / 1 Phase) (Incls Items 2 and 37).....	1
40	00-439935-00003	Motor (115V / 50Hz / 1 Phase) (Incls Items 2 and 37).....	1
41	00-438131-00125	Label - On/Off.....	1
42	00-438131-00124	Plate - Warning.....	1
43	00-121676-00001	Self-Tapping Screw #2 x 1/4 Truss Hd.....	2

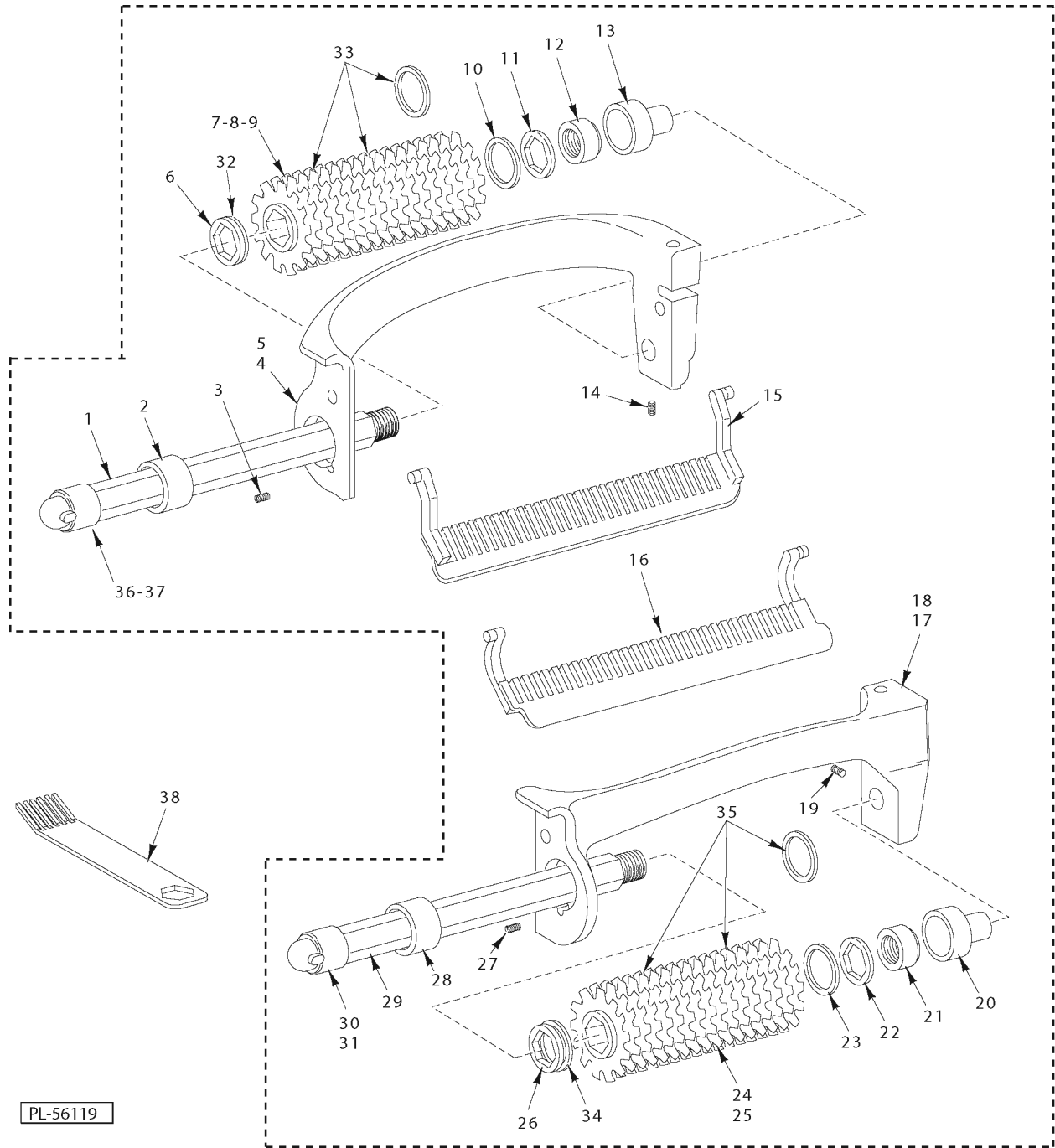
* Prior to S/N 56-935-369 (403) and S/N 56-936-246 (403U), use
00-069396-00001.



DRIVE UNIT

DRIVE UNIT

ILLUS.	PART NO.	NAME OF PART	AMT.
PL-56116			
1	SC-041-01	Cap Screw 1/4-20 x 3/4 Hex. Hd. (SST).....	1
2	NS-013-02	Nut 1/4-20 Hex.....	1
3	WL-007-16	Lockwasher 1/4 External Shakeproof.....	1
4	00-069338	Pusher - Bearing.....	1
5	BB-020-20	Ball Bearing - Fafnir #203K.....	1
6	00-069349	Gear - Worm (29T).....	1
7	00-076855	Gear (32T).....	1
8	WS-011-43	Washer (Fiber).....	1
9	00-292680	Bearing & Seat Assy.....	1
10	SC-121-27	Set Screw 10-24 x 3/8 Special.....	1
11	00-292681	Seal - Retainer & Dowel Assy. (Incls. Item 13).....	1
12	00-292675	Bearing - Thrust.....	1
13	00-067500-00069	O-Ring.....	1
14	KW-003-10	Key - Woodruff 3/16 x 3/4 Lg.....	1
15	RR-006-09	Retaining Ring.....	1
16	KW-003-03	Key - Woodruff 1/8 x 1/2 Lg.....	1
17	00-069361	Shaft - Back Stub.....	1
18	00-069337	Seal - Face.....	1
19	00-069337	Seal - Face.....	1
20	00-069362	Shaft - Front Stub.....	1
21	KW-003-03	Key - Woodruff 1/8 x 1/2 Lg.....	1
22	00-067500-00069	O-Ring.....	1
23	00-292675	Bearing - Thrust.....	1
24	00-292681	Seal - Retainer & Dowel Assy. (Incls. Item 22).....	1
25	SC-121-27	Set Screw 10-24 x 3/8 Special.....	1
26	00-292680	Bearing & Seat Assy.....	1
27	WS-030-09	Washer (Fiber).....	1
28	00-076855	Gear (32T).....	1
29	WS-030-09	Washer (Fiber).....	1



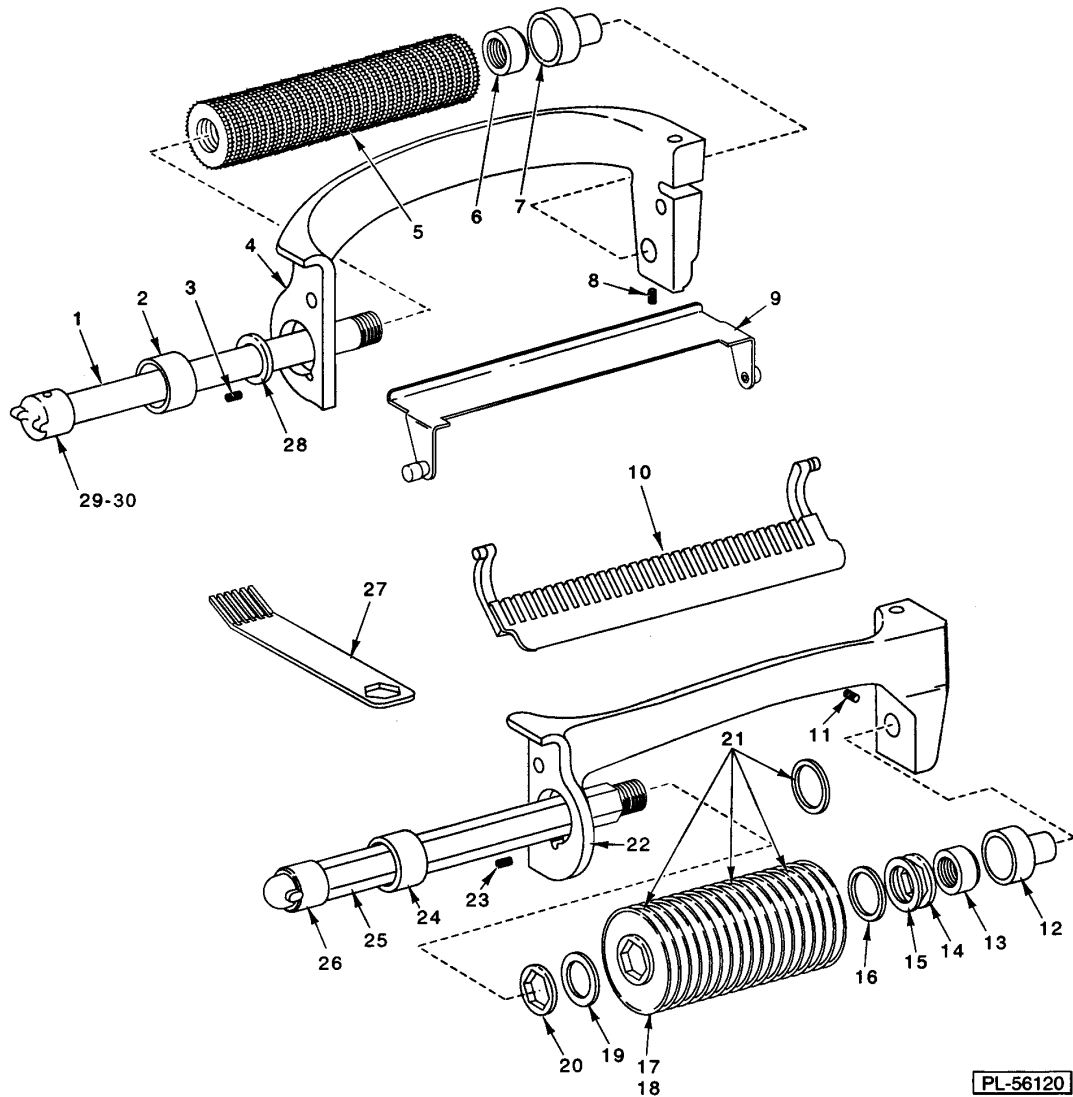
PL-56119

**LIFT OUT UNIT
(CLUSTER KNIVES)**

LIFT OUT UNIT (CLUSTER KNIVES)

ILLUS.	PART NO.	NAME OF PART	AMT.
PL-56119			
1	00-274180	Shaft Assy. (Rear) (Incls. Items 36 & 37).....	1
2	00-292103	Bearing - Left Back.....	1
3	SC-064-21	Set Screw 1/4-20 x 1/4 Special.....	1
*4		Back Hanger.....	1
*5		Back Hanger (403U).....	1
6	00-293161	Spacer - Knife Rotor.....	1
7	00-293162	Cluster - Knives (Knit).....	3
8	00-293181	Cluster - Knives (No Knit).....	3
9	00-293175	Cluster - Knives (Star).....	3
10	00-293046-00002	Spacer - Knife Rotor (0.005 Thk.).....	1
11	00-293161	Spacer - Knife Rotor.....	1
12	00-292099	Lock Nut - Back.....	1
13	00-292101	Bearing - Right.....	1
14	SC-064-21	Set Screw 1/4-20 x 1/4 Special.....	1
15	00-292106	Back Stripper Assy.....	1
16	00-292105	Front Stripper Assy.....	1
*17		Front Hanger.....	1
*18		Front Hanger (403U).....	1
19	SC-064-21	Set Screw 1/4-20 x 1/4 Special.....	1
20	00-292101	Bearing - Right.....	1
21	00-292098	Lock Nut - Front.....	1
22	00-293161	Spacer - Knife Rotor.....	1
23	00-293046-00002	Spacer - Knife Rotor (0.005 Thk.).....	1
24	00-293162	Cluster - Knives (Knit).....	3
25	00-293175	Cluster - Knives (Star).....	3
26	00-293161	Spacer - Knife Rotor.....	1
27	SC-064-21	Set Screw 1/4-20 x 1/4 Special.....	1
28	00-292102	Bearing - Left Front.....	1
29	00-274174	Shaft Assy. (Front) (Incls. Items 30 & 31).....	1
30	00-274175	Hub - Shaft (Available On Units With Removable Roll Pins Only).....	1
31	RP-004-31	Roll Pin 1/4 x 1.....	1
32	00-293046-00002	Spacer - Knife Rotor 0.005 Thk.....	1
33	00-293046-00002	Spacer - Knife Rotor 0.005 Thk. (Insert Between Clusters).....	2
34	00-293046-00002	Spacer - Knife Rotor 0.005 Thk.....	1
35	00-293046-00002	Spacer - Knife Rotor 0.005 Thk. (Insert Between Clusters).....	2
36	00-274181	Hub - Shaft (Available On Units With Removable Roll Pins Only).....	1
37	RP-004-31	Roll Pin 1/4 x 1.....	1
38	00-292592	Fork - Cleaning.....	1
	00-295730	Lift Out Unit (Std.) (Incls. Items 15 & 16).....	1
	00-295808	Lift Out Unit (403U) (Incls. Items 15 & 16).....	1
	00-295731	Lift Out Unit (No Knit) (Incls. Items 15 & 16).....	1
	00-295732	Lift Out Unit (Star Blade) (Incls. Items 15 & 16).....	1
	00-274172	Front Roller Assy. (Knit) (No Knit) (Incls. Items 21 thru 24, 26, 29, 34, & 35).....	1
	00-274173	Front Roller Assy. (Star Cluster) (Incls. Items 21 thru 23, 25, 26, 29, 34, & 35).....	1
	00-274177	Rear Roller Assy. (Knit) (Incls. Items 1, 6, 7, 10, 11, 12, 32, & 33).....	1
	00-274179	Rear Roller Assy. (No Knit) (Incls. Items 1, 6, 8, 10, 11, 12, 32, & 33).....	1
	00-274178	Rear Roller Assy. (Star) (Incls. Items 1, 6, 9, 10, 11, 12, 32, & 33).....	1
	00-295965	Cleaning & Storage Unit.....	1

* Items Have Been Discontinued. Order [00-289290-00001](#) For Model 403 Or
[00-289290-00002](#) For Model 403U (Contains Front And Rear Hanger).



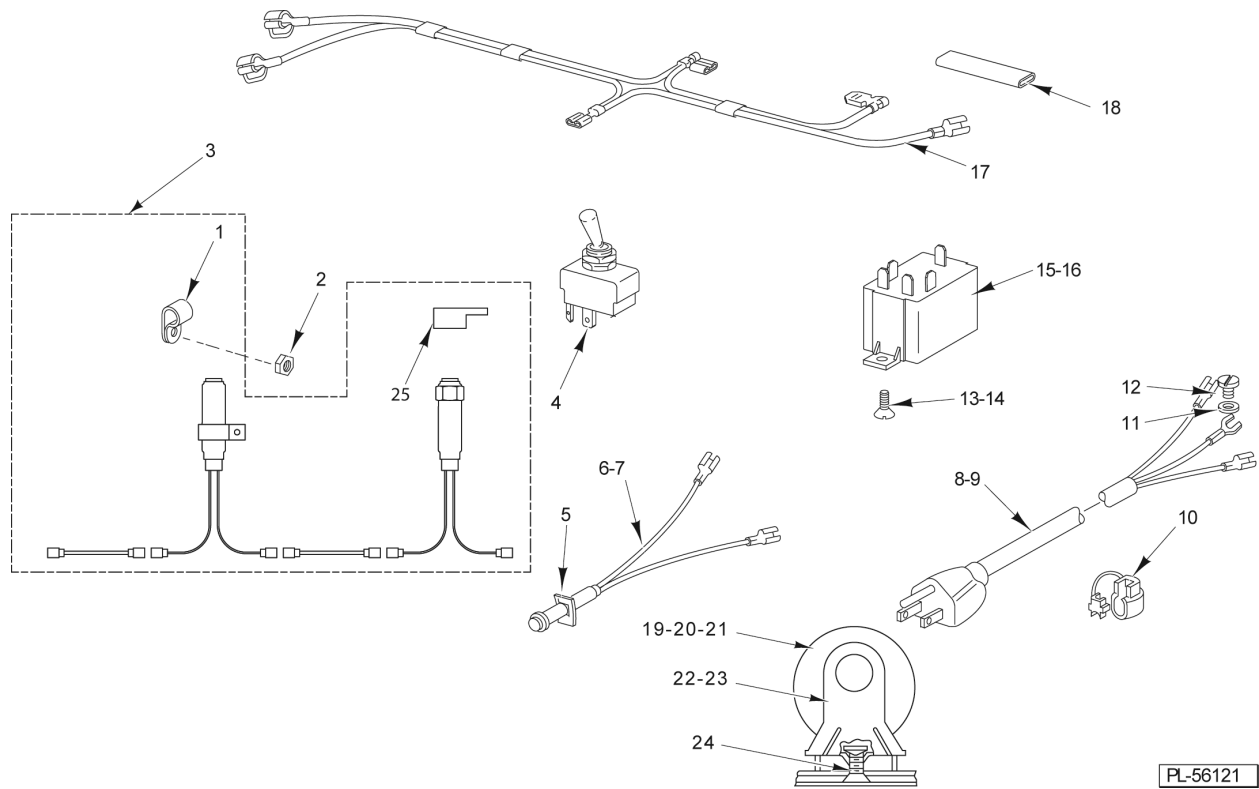
**LIFT-OUT CLUSTER UNIT JULIENNE
(NARROW/WIDE CLUSTER KNIVES)**

**LIFT OUT CLUSTER UNIT JULIENNE
(NARROW/WIDE CLUSTER KNIVES)**

**LIFT OUT CLUSTER UNIT JULIENNE
(NARROW/WIDE CLUSTER KNIVES)**

ILLUS. PL-56120	PART NO.	NAME OF PART	AMT.
1	00-274188	Back Blade Shaft Assy. (Incls. Items 29 & 30).....	1
2	00-292103	Bearing - Left Back.....	1
3	SC-064-21	Set Screw 1/4-20 x 1/4 Special Hex.....	1
*4		Back Hanger.....	1
5	00-270304	Roller.....	1
6	00-292099	Lock Nut - Back.....	1
7	00-292101	Bearing - Right.....	1
8	SC-064-21	Set Screw 1/4-20 x 1/4 Special Hex.....	1
9	00-293197	Guide Assy. - Julienne.....	1
10	00-293192	Stripper Assy. - Julienne.....	1
11	SC-064-21	Set Screw 1/4-20 x 1/4 Special Hex.....	1
12	00-292101	Bearing - Right.....	1
13	00-292098	Lock Nut - Front.....	1
14	00-293161	Spacer - Knife Rotor 3/16 (Use with Narrow Cluster Only).....	1
15	00-293046-00002	Spacer - Knife Rotor (0.005 Thk.).....	1
16	00-293046-00001	Spacer (Use With Narrow Cluster .075 Only).....	1
17	00-293187	Cluster - Knives 3/8 (Julienne Wide).....	4
18	00-293188	Cluster - Knives 3/16 (Julienne Narrow).....	3
19	00-293046-00002	Spacer - Knife Rotor (0.005 Thk.).....	1
20	00-293161	Spacer - Knife Rotor.....	1
21	00-293046-00002	Spacer - Knife Rotor (0.005 Thk.) (Insert Between Clusters).....	AR
*22		Front Hanger (Incls. Label).....	1
23	SC-064-21	Set Screw 1/4-20 x 1/4 Special Hex.....	1
24	00-292103	Bearing - Left Back.....	1
25	00-274185	Front Shaft Assy. (Julienne) (Incls. Items 29 & 30).....	1
26	00-274181	Hub - Shaft (Available On Units With Removable Roll Pins Only).....	1
27	00-292592	Fork - Cleaning.....	1
28	00-293161	Spacer - Knife Rotor.....	1
29	00-274181	Hub - Rear Shaft Drive (Available On Units With Removable Roll Pins Only).....	1
30	RP-004-31	Roll Pin 1/4 x 1.....	1
	00-274184	Front Roller Assy. 3/16 (Julienne Narrow) (Incls. Items 13 thru 15, 19, 20, 21, & 25)	1
	00-274183	Front Roller Assy. 3/8 (Julienne Wide) (Incls. Items 13, 15, 17, 19, 20, 21, & 25).....	1
	00-274187	Rear Roller Assy. (Julienne) (Incls Items 1, 5, 6, & 28).....	1
	00-295965	Cleaning & Storage Unit.....	1
	00-270241	Hanger - (Julienne) Service Kit.....	1

* Items Have Been Discontinued. Order [00-270241](#) (Contains Front & Back Hanger).



ELECTRICAL UNIT

ELECTRICAL UNIT

ILLUS.	PART NO.	NAME OF PART	AMT.
PL-56121			
1	00-069193-00004	Clip - Cord.....	2
2	NS-009-07	Nut 6-32 Hex.....	2
3	00-944070	Reed Switch Assy. With Harness.....	1
4	00-087711-148-1	Switch (With Nuts).....	1
5	00-069360-00003	Push Nut.....	1
6	00-069360-00001	Pilot Light (115 V.) (Incls. Item 5).....	1
7	00-069360-00002	Pilot Light (230 V.) (Incls. Item 5).....	1
8	00-117542-00021	Cord & Plug Assy. (3 Cond., Under 150 V., 60 Hz.).....	1
9	00-117542-00042	Cord Only (Less Plug) (3 Cond.) (50 Hz.).....	1
10	FE-021-21	Strain Relief.....	1
11	WL-006-07	Lockwasher #10 Helical (SST).....	1
12	SD-024-01	Self-Tapping Screw 10-24 x 3/8 Slotted Pan Hd., Type TT.....	1
13	SC-022-01	Mach. Screw 6-32 x 3/8 Slotted Flat Hd. (SST).....	2
14	NS-009-07	Nut 6-32 Hex.....	2
15	00-087714-035-1	Relay (115 V., 50/60 Hz.).....	1
16	00-087714-035-2	Relay (220-240 V., 50 Hz.).....	1
17	00-076773	Harness - Wiring.....	1
18	00-065890-00029	Connector - Splice.....	2
19	00-070487-00003	Capacitor (Use On Machines With Starting Relay).....	1
20	00-070487-00024	Capacitor (Use On Machines With Electronic Start Switch).....	1
21	00-070486-00001	End Cap - Capacitor.....	1
22	00-076774	Tension Nut 10-24 Sq.....	2
23	00-066621-00001	End Cap - Capacitor.....	1
24	SC-022-16	Mach. Screw 10-24 x 5/16 Slotted Flat Hd. (SST).....	2
25	00-968015	Bracket - Reed Switch.....	1

