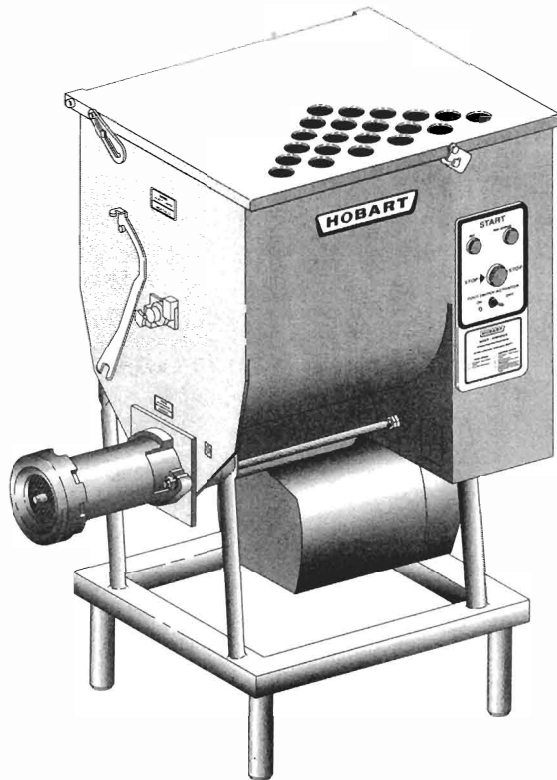




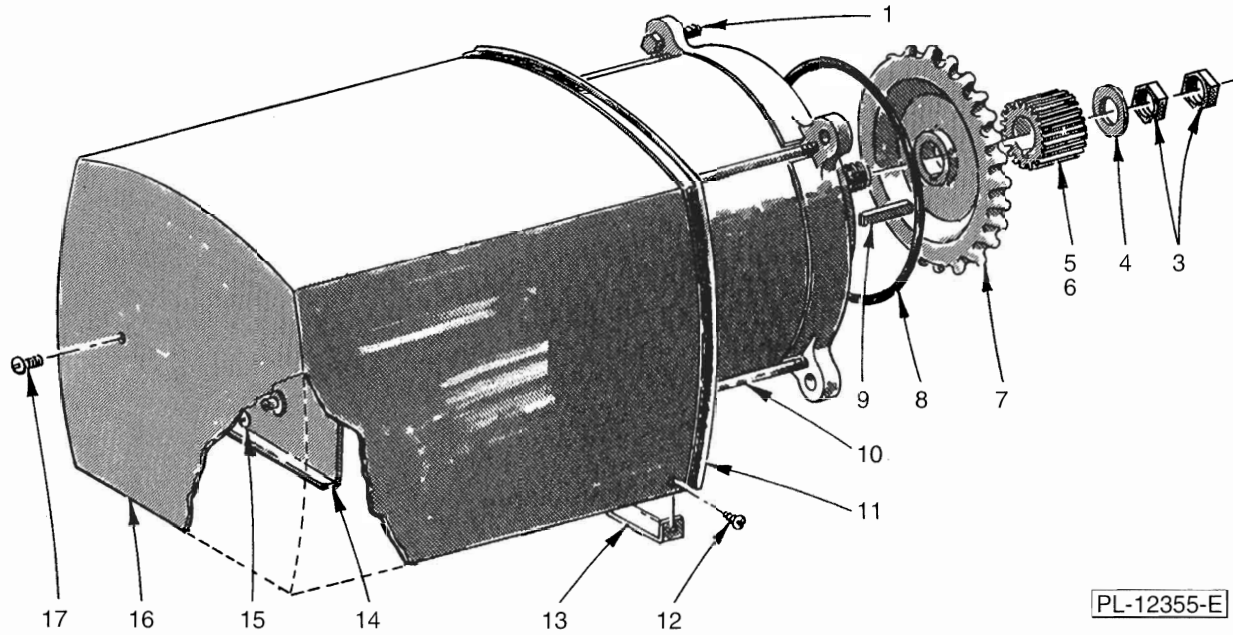
CATALOG OF REPLACEMENT PARTS

MODEL 4352 MIXER-GRINDER (INCLUDES MOTOR PARTS)



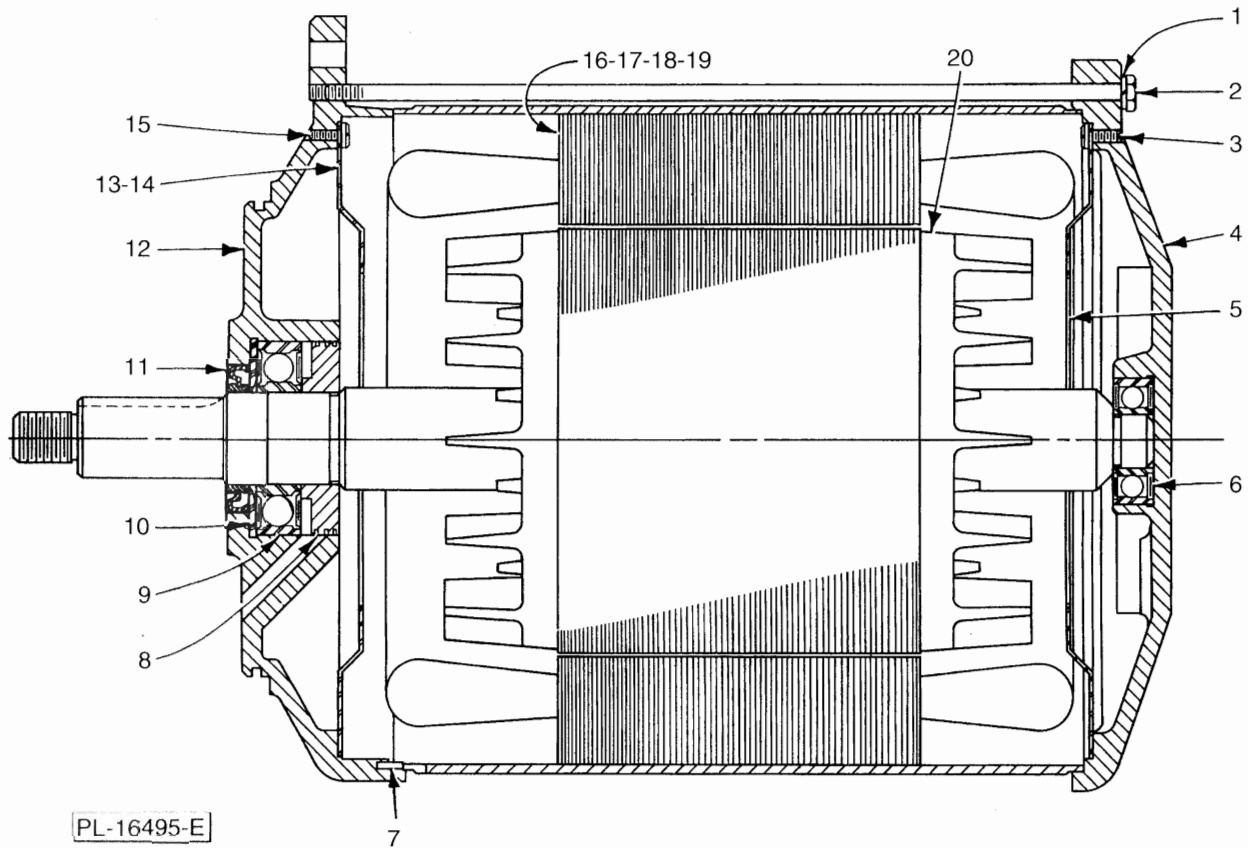
STANDARD HOPPER (W/O Feed Opening)
ML-104650 R.H.
ML-104651 L.H.

OPTIONAL HOPPER (With Feed Opening)
ML-104654 R.H.
ML-104655 L.H.



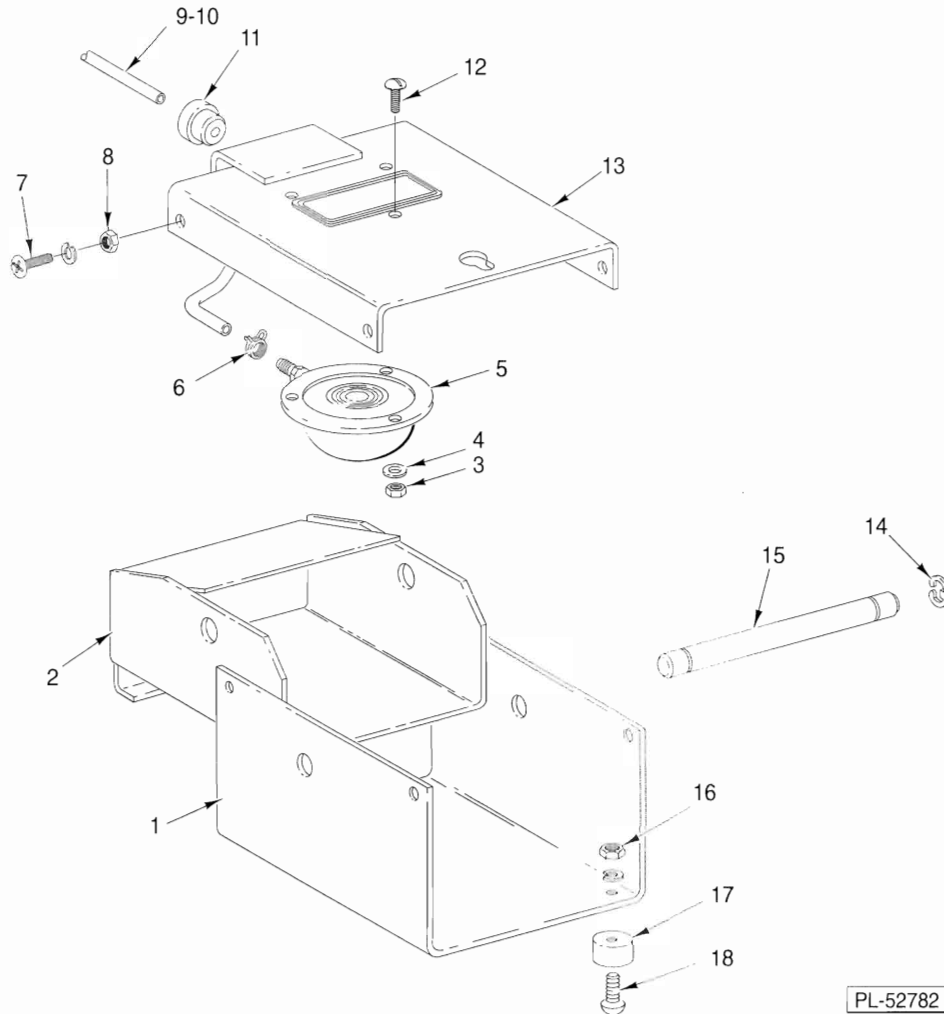
DRIVE UNIT

ILLUS. PL-12355-E	PART NO.	NAME OF PART	AMT.
1	SC-062-58	Cap Screw 3/8-24 x 1 1/4 Hex Hd.	4
2	WL-004-06	Lockwasher 3/8 Medium	4
3	00-006566	Locknut	2
4	00-105218	Washer - Pinion	1
5	00-437421-00001	Pinion - Motor (21T)(60 Hz.)	1
6	00-437421-00002	Pinion - Motor (25T)(50 Hz.)	1
7	00-105161	Flinger Assy.	1
8	00-067500-00024	"O" Ring	1
9	00-109070-00028	Key	1
10	ML-019134	Motor (Give Elec. Spec.)	1
11	00-102825-00002	Seal - Motor Shroud	1
12	SC-021-25	Mach. Screw 10-24 x 3/4 Rd. Hd.	2
13	00-123924	Shroud Support Bracket Assy.	1
14	00-108365	Shroud Reinforcement Assy.	1
15	SC-021-10	Mach. Screw 6-32 x 1/2 Rd. Hd.	2
16	00-117742	Motor Shroud & Seal Assy. (Incls. item 11)	1
17	SC-018-04	Mach. Screw 10-24 x 1/2 Pan Hd.	2



MOTOR UNIT

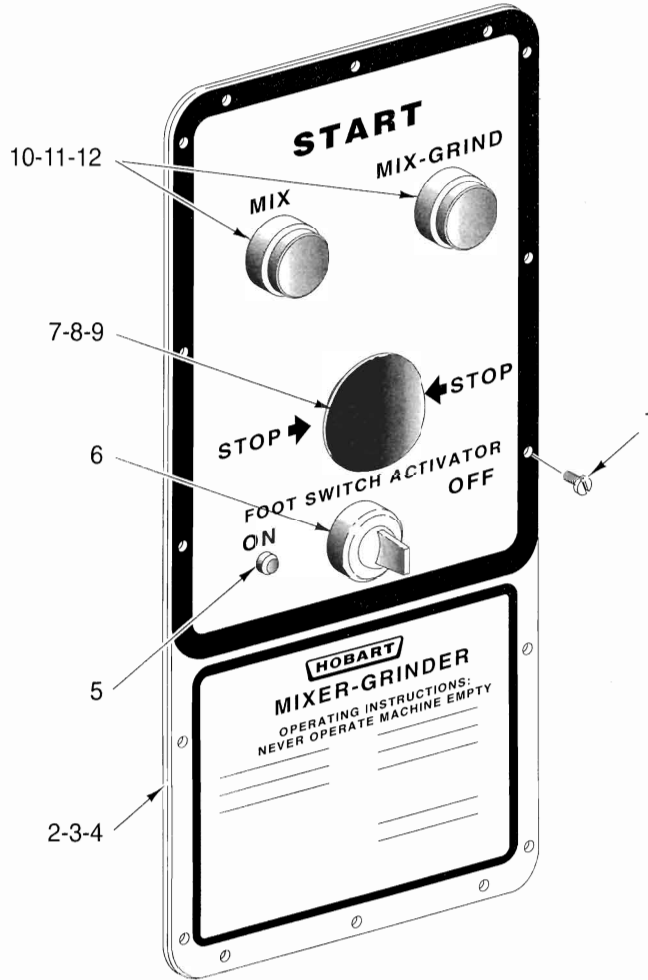
ILLUS.	PART NO.	NAME OF PART	AMT.
	1	WL-003-38 Lockwasher 1/4 Medium	4
	2	00-080977-00006 Cap Screw 1/4-28 x 11 3/4 Hex Hd.	4
	3	SC-018-13 Mach. Screw 8-32 x 1/4 Pan Hd	4
	4	00-089188-00001 Bracket - Bearing	1
	5	00-089203-00002 Shroud - Fan	1
	6	BB-005-46 Ball Bearing - Fafnir 204KDDFS50545	1
	7	RP-002-42 Roll Pin 3/32 x 3/8	1
	8	00-105152 Seal	1
	9	BB-007-39 Ball Bearing - M.R.C. #207-SZZ	1
	10	SL-003-11 Spring - Loading ND 72	1
	11	00-275053 Seal	1
	12	00-118100 Bracket - Bearing	1
	13	00-089203-00002 Shroud - Fan	1
	14	FE-016-02 Bushing - Snap	1
	15	SC-018-13 Mach. Screw 8-32 x 1/4 Pan Hd	4
	16	00-065478-126-1 Stator Assy. (200 V., 60 Hz., 3 Ph. W/Pilot Circuit)	1
	17	00-065478-126-2 Stator Assy. (460 V., 60 Hz.)(230 V., 60 Hz., W/Pilot Circuit)(3 Ph.)	1
	18	00-065478-127-1 Stator Assy. (380/415 V., 50 Hz.)(220/240 V., 50 Hz., W/Pilot Circuit)(3 Ph.)	1
	19	00-065478-127-2 Stator Assy. (200/346 V., 50 Hz., 3 Ph.)	1
	20	00-015747-00284 Rotor Assy.	1



PL-52782

**FOOT SWITCH UNIT
(PNEUMATIC)**

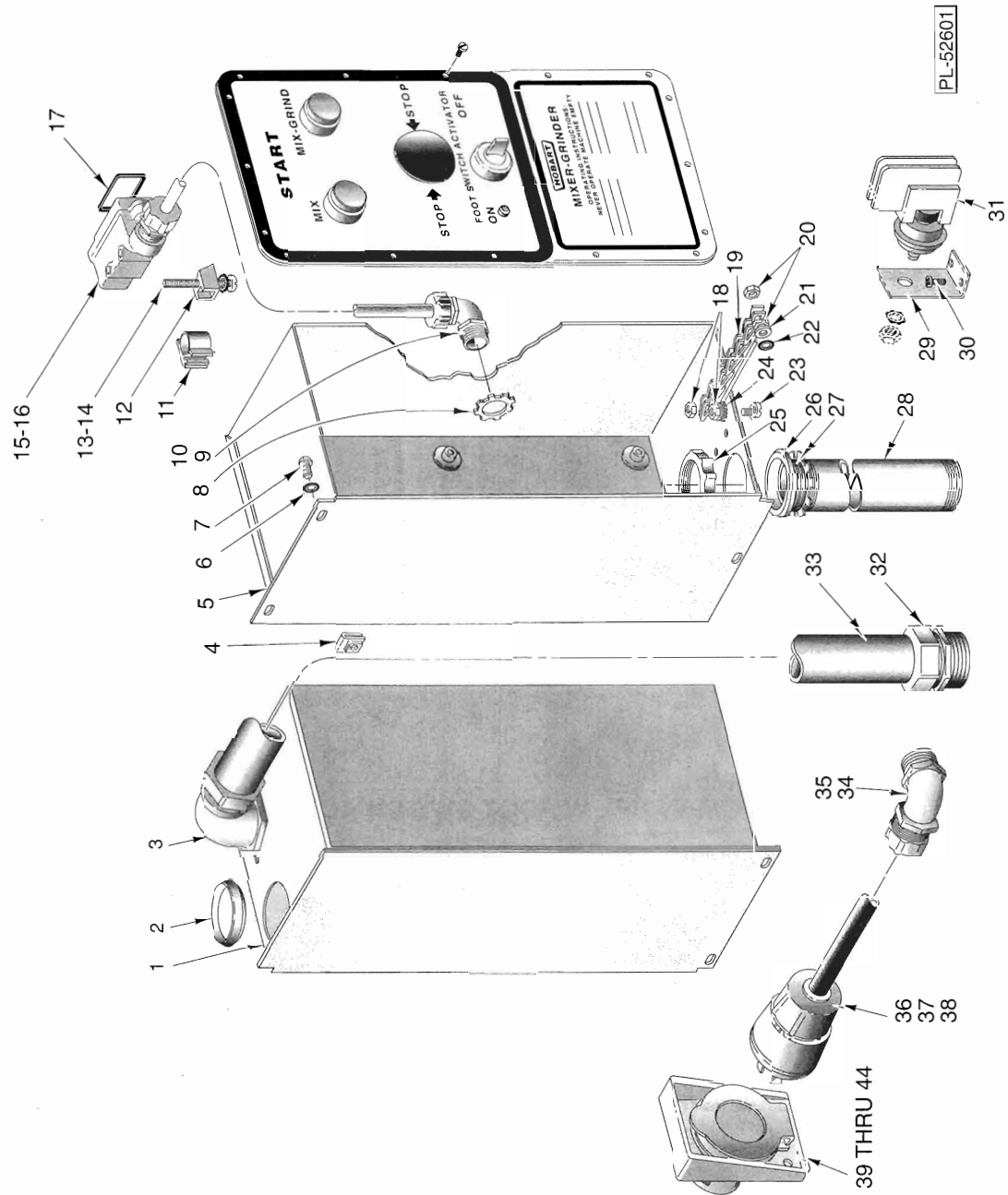
ILLUS. PL-52782	PART NO.	NAME OF PART	AMT.
1	00-292632	Base - Foot Switch	1
2	00-292635	Switch - Rocker Assy.	1
3	NS-031-08	Stop Nut 8-32 Special	3
4	WS-019-10	Washer	3
5	00-087711-214-1	Actuator - Air Switch	1
6	00-115747-00008	Clamp - Hose	2
7	SC-021-23	Mach. Screw 10-24 x 1/2 Rd. Hd.	4
8	NS-031-15	Stop Nut - Special 10-24 Hex (SST)	4
9	00-292629-00005	Tubing - Air (R.H. Mach.)	1
10	00-292629	Tubing - Air (L.H. Mach.)	1
11	FE-025-16	Strain Relief	1
12	SC-021-15	Mach. Screw 8-32 x 1/2 Rd Hd, Slotted	3
13	00-439861-00002	Cover-Foot Switch	1
14	RR-010-12	Retaining Ring	2
15	00-292638	Shaft - Pivot	1
16	NS-031-15	Stop Nut - Special 10-24 Hex (SST)	4
17	00-019105-00002	Bumper	4
18	SC-021-24	Mach. Screw 10-24 x 3/8 Rd Hd	4
	00-295284	Foot Switch Assy. (Incls. items 1 thru 6 & 9 thru 18)	1
	00-113117	Hanger-Foot Switch	1



PL-52486

CONTROL PANEL W/FOOT SWITCH ACTIVATOR

ILLUS. NO.	PART NO.	NAME OF PART	AMT.
1	SD-029-15	Self-Tapping Screw 10-24 x 5/8 Pan Hd., Type F	16
2	00-477651	Control Panel Assy.	1
3	NS-009-22	Full Nut 10-24 Hex	2
4	WL-007-12	Lockwasher 10 External Shakeproof	1
5	00-477653	Pilot Light Assy.	1
6	00-087711-255-4	Switch - Footswitch Select Assy.	1
7	00-087711-255-5	Stop Switch Assy.	1
8	00-087714-046-1	Relay - 2 Pole (30 Amp.)	2
9	NS-009-12	Mach. Nut 8-32 Hex	4
10	00-087711-255-6	Start Switch Assy. (Mix & Grind)	2
11	00-087714-046-1	Relay - 2 Pole (30 Amp.)	1
12	NS-009-12	Mach. Nut 8-32 Hex	2
	00-478187	Relay & Form Assy.	1
	00-106825-00001	Clip - Wiring	1
	00-112118	Clip - Relay Retainer	1



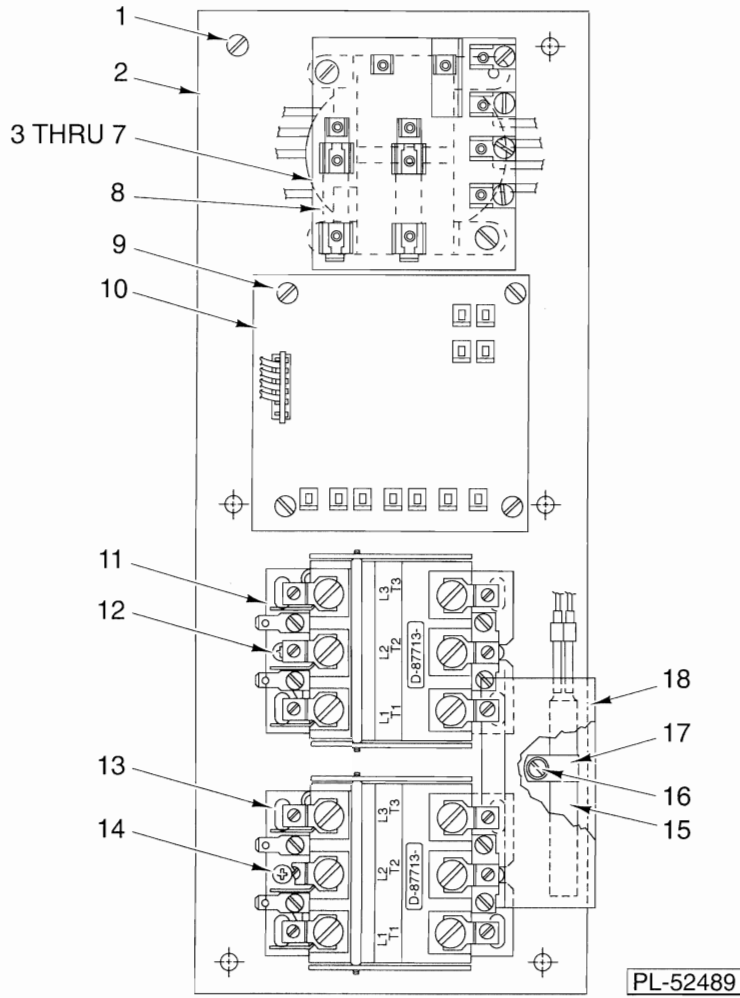
CONTROL BOX AND INTERLOCK UNIT

CONTROL BOX AND INTERLOCK UNIT

ILLUS. PL-52601	PART NO.	NAME OF PART	AMT.
**1	00-105377-00002	Control Box Assy.	1
**2	00-106827-00002	Caplug	1
**3	FE-015-09	Connector 90 Deg. "Sealtite" (1 ¼ Male Thd. x 1 ¼ Flex Cnd.)	1
4	00-106540	Speed Nut	3
*5	00-105377-00001	Control Box Assy.	1
6	WL-007-12	Lockwasher 10 External Shakeproof	3
7	SC-008-17	Mach. Screw 10-32 x ¾ Rd. Hd.	3
8	FE-006-07	Lock Nut ½ (Cnd.)	1
9	FE-015-10	Strain Relief	1
10	FE-008-10	½ Gasket Assy.	1
11	00-106825-00001	Clip - Wiring	2
12	00-107341	Retainer - Switch	1
13	SC-012-72	Mach. Screw 10-24 x 1 ¾ Fil. Hd.	1
14	WL-007-12	Lockwasher 10 External Shakeproof	1
15	00-108964-00006	Interlock Switch Assy. (R.H. Control Box)	1
16	00-108964-00007	Interlock Switch Assy. (L.H. Control Box)	1
17	00-067500-00071	"O" Ring	1
18	NS-009-12	Mach. Nut 8-32 Hex	2
19	00-064744-00006	Chain	1
20	NS-009-22	Full Nut 10-24 Hex	2
21	00-087526-00303	Lead Wire Assy. (Ground)	1
22	WL-007-12	Lockwasher 10 External Shakeproof	1
23	SC-018-38	Mach. Screw 8-32 x ½ Pan Hd.	1
24	WL-007-07	Lockwasher 8 External Shakeproof	1
*25	FE-009-06	Bushing - Conduit (1 ¼")	1
*26	FE-008-26	Gasket Assy. (1 ¼")	1
*27	FE-009-07	Lock Nut 1 ¼	1
*28	00-106043-00002	Conduit (Junction Box to Control Box)	1
29	00-293158	Bracket (Air Actuated Switch)	1
30	SD-008-18	Self - Tapping Screw 8-18 x ¾ Phil. Hd., Type B	2
31	00-087711-213-1	Switch - Air Actuated	1
**32	FE-015-08	Connector - Straight "Sealtite" (1 ¼ Male Thd. x 1 ¼ Flex Cnd.)	1
**33	00-106044	Conduit 1 ¼" "Sealtite" (Junction Box to Control Box)	1
34	FE-018-40	Connector 90 Deg. Strain Relief (1")	1
35	FE-018-43	Connector 90 Deg. Strain Relief (¾")	1
36	00-117612-00006	Cord & Plug Assy. (230 V., 60 Hz.) (Use with items 34, 38 & 40)	1
37	00-117612-00004	Cord & Plug Assy. (460 V., 60 Hz.) (Use with items 35, 39 & 41)	1
38	00-290114-00005	Cord & Plug Assy. (208 V., 60 Hz.) (Use with items 34, 39 & 40)	1
39	00-295692	Receptacle (200 V., 60 Hz.)	1
40	00-315147	Receptacle (230 V., 60 Hz.)	1
41	00-315149	Receptacle (460 V., 60 Hz.)	1
42	00-295691	Connector - Pendent (200 V., 60 Hz.)	1
43	00-315141	Connector - Pendent (230 V., 60 Hz.)	1
44	00-315143	Connector - Pendent (460 V., 60 Hz.)	1
	00-083376	Tie - Wire (Lead Wires)(Not Shown)	3
	00-117659-00001	Cord & Strain Relief Assy. (Incls. items 34 & 36)	1
	00-117659-00002	Cord & Strain Relief Assy. (Incls. items 35 & 37)	1
	00-117659-00006	Cord & Strain Relief Assy. (Incls. items 34 & 38)	1

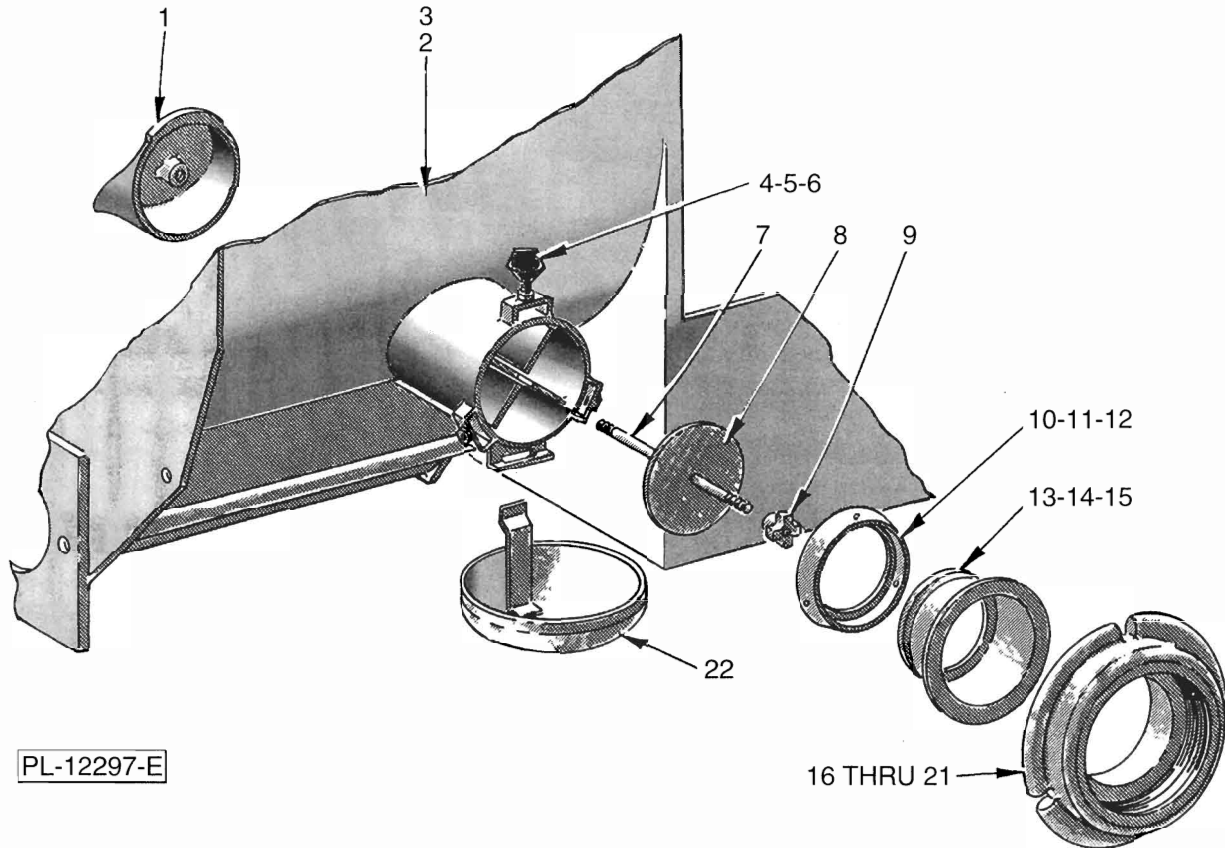
* R.H. Control Box

** L.H. Control Box



CONTROL PANEL UNIT

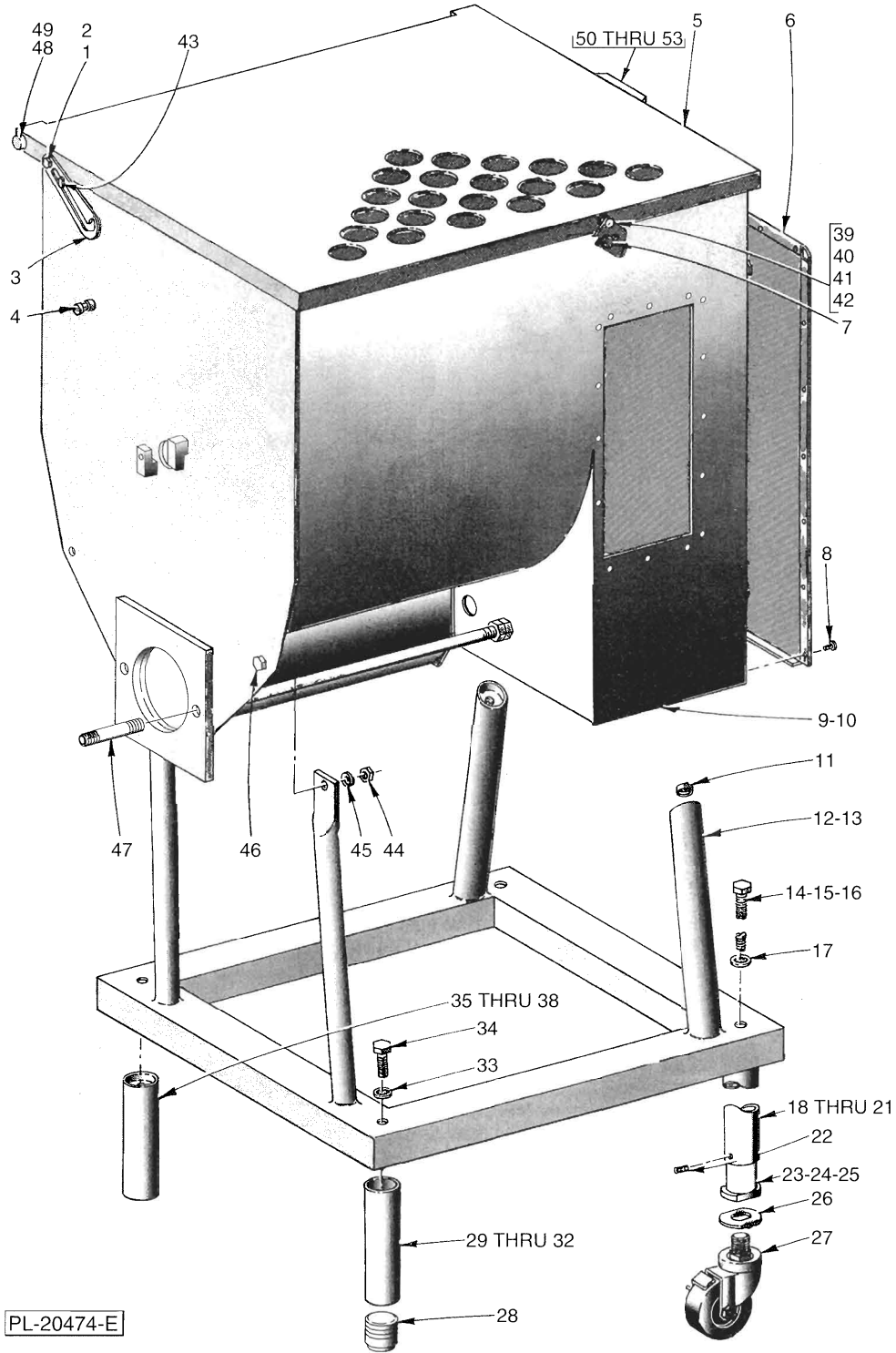
ILLUS. PL-52489	PART NO.	NAME OF PART	AMT.
1	SC-008-09	Mach. Screw 10-24 x 3/8 Rd. Hd.	6
2	00-117559	Mounting Panel & Spacer Assy.	1
3	00-117034-00001	Power Input Board Assy. (60 Hz.)(Incls. item 6)	1
4	00-117033	Power Input Board Assy. (50 Hz.)(Incls. item 8)	1
5	00-117034-00006	Power Input Board Assy. (575 V., 60 Hz.)(Incls. item 6)	1
6	FE-022-63	Fuse - Power Input Board (3 Amp.)(Not Shown)	1
7	SD-009-43	Self-Tapping Screw 10-32 x 3/8 Phil. Pan Hd., Type F	2
8	FE-016-29	Fuse (BBS - 1 Amp)	2
9	SC-009-49	Mach. Screw 6-32 x 3/8 Rd. Hd.	4
10	00-278328	Motor Protection Board Assy.	1
11	00-087713-041-2	Contactor (40 Amp., 3 Pole)	1
12	SD-009-43	Self-Tapping Screw 10-32 x 3/8 Phil. Pan Hd., Type F	2
13	00-87713-094-1	Contactor - Mix Grind (115 V., 50/60 Hz.)	1
14	SD-009-43	Self-Tapping Screw 10-32 x 3/8 Phil. Pan Hd., Type F	2
15	00-108202-00004	Air Heating & Terminal Assy. (115 V., W/Pilot Circuit)	1
16	SD-008-33	Self-Tapping Screw 8 x 5/16 Rd., Hd., Type B	1
17	00-108199-00001	Clamp - Air Heater	1
18	00-108101	Shield - Heater	1



PL-12297-E

SIDE FEED UNIT

ILLUS. PL-12297-E	PART NO.	NAME OF PART	AMT.
1	00-295103	Plug - Side Feed Hopper (Packaged)	1
2	00-118291	R.H. Hopper Assy. (R.H. Side Inlet Feed)	1
3	00-118292	L.H. Hopper Assy. (L.H. Side Inlet Feed)	1
4	00-108197-00006	Thumb Screw (2" Lg)	3
5	00-108197-00007	Thumb Screw (1 7/16" Lg)	3
6	00-108197-00008	Thumb Screw (2 3/16" Lg)	3
7	00-107236	Rod - Tie	1
8	00-107237	Cap - Hopper Feed	1
9	00-292420	Knob Assy	1
10	00-086111	Retainer - Adapter (#56 Size)	1
11	00-082153	Retainer - Adapter (#32 Size)	1
12	00-082154	Retainer - Adapter (#52 Size)	1
13	00-086110	Adapter (#56 Size)	1
14	00-082146	Adapter (#32 Size)	1
15	00-082149	Adapter (#52 Size)	1
16	00-080879-00001	Ring - Adapter Adj. (4532, 4046, 4346 & 4146 "V" Thread)	1
17	00-080879-00002	Ring - Adapter Adj (4352, 4046 "Stud" Thread)	1
18	00-081374-00001	Ring - Adapter Adj. (#52F "V" Thread)	1
19	00-081374-00002	Ring - Adapter Adj (For 52-46 "Stud Thread")	1
20	00-109738-00001	Ring - Adapter Adj (#56 "Stud Thread")	1
21	00-109738-00002	Ring - Adapter Adj. (#56 "V" Thread)	1
22	00-295109	Drippings Cup (Packaged)	1
	00-117523	Hopper Feed Plug Assy. (Incls. items 1, 7, 8 & 9)	1
	00-109369-00002	#56 Adapter Assy. (Incls. items 5, 10 & 13)(Non-Hobart)	1
	00-109370-00002	#52 Adapter Assy. (Incls. items 4, 12 & 15)(Non-Hobart)	1
	00-109371-00002	#32 Adapter Assy. (Incls. items 6, 11 & 14)(Non-Hobart)	1



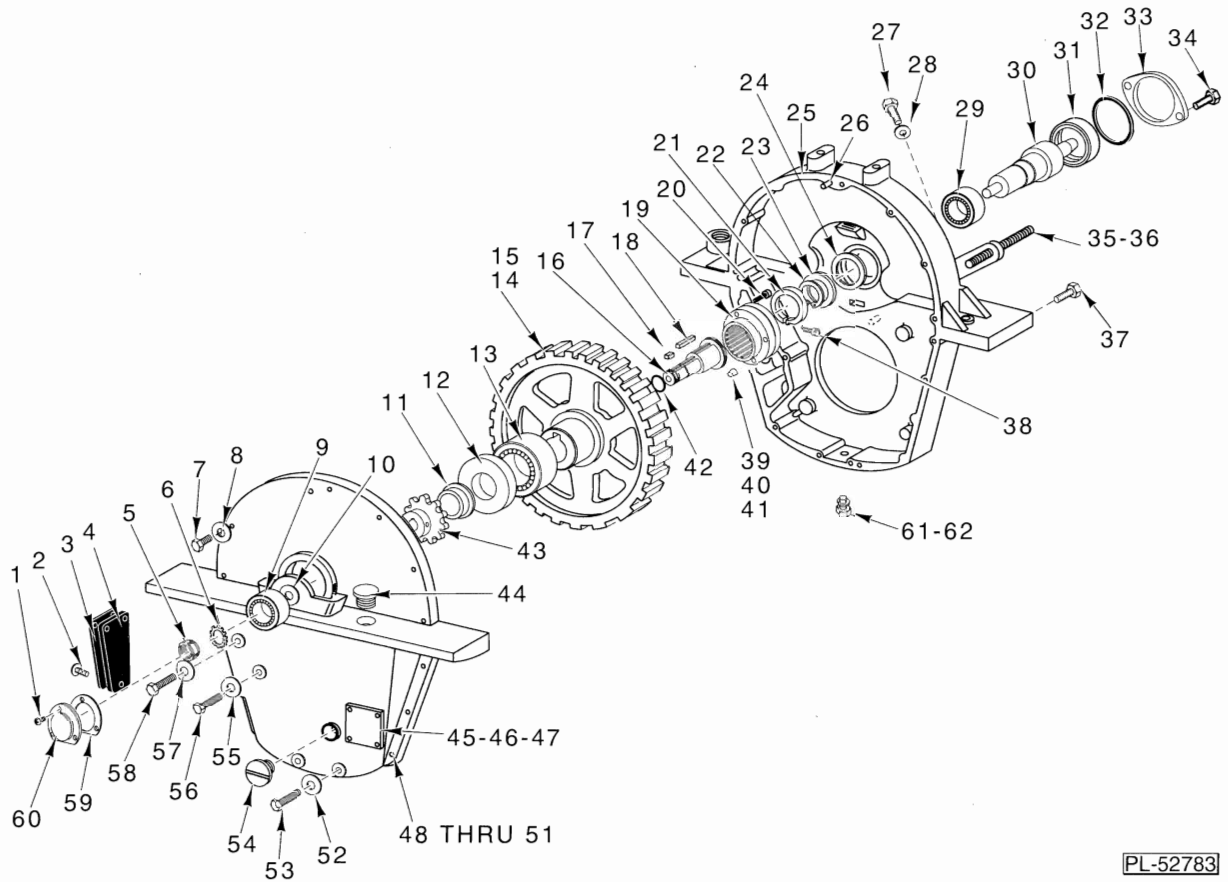
PL-20474-E

HOPPER AND FRAME UNIT

HOPPER AND FRAME UNIT

ILLUS. PL-20474-E	PART NO.	NAME OF PART	AMT.
1	00-120432	Screw - Latch	1
2	NS-025-04	Acorn Nut 1/4-20	1
3	00-120431-00001	Latch - Side	1
*4	00-106737-00002	Support - Spanner Wrench	1
5	00-117734-00001	Hopper Guard (Incls. items 39,40,50,51,52 & 53)	1
6	00-117192	Rear Panel & Gasket Assy.	1
*7	00-106972-00002	Pin - Catch (Welded Part)	1
8	SD-029-15	Self-Tapping Screw 10-24 x 5/8 Pan Hd., Type F	19
9	00-118263	Hopper Assy. (R.H. Mach.)	1
10	00-118290	Hopper Assy. (L.H. Mach.)(Not Shown)	1
11	00-108765	Spacer - Rear Support	2
12	00-478161	Frame & Support Leg Assy.	1
13	00-106827-00001	Caplug	4
14	SC-097-56	Cap Screw 5/8-11 x 3 1/2 Hex Hd.(Use with item 18)	4
15	SC-097-57	Cap Screw 5/8-11 x 5 Hex Hd. (Use with item 18)	4
16	SC-062-51	Cap Screw 5/8-11 x 1 1/2 Hex Hd. (Use with item 20 & 21)	4
17	WL-008-37	Lockwasher 5/8 Int. Shakeproof	4
18	00-107240-00001	Leg & Anchor Nut Assy. (3 1/4" Lg.)	4
19	00-107240-00002	Leg & Anchor Nut Assy. (4 3/4" Lg.)	4
20	00-107246-00001	Leg & Anchor Nut Assy. (7 13/16" Lg.)	4
21	00-107246-00002	Leg & Anchor Nut Assy. (10 11/16" Lg.)	4
22	SC-046-04	Set Screw 8-32 x 3/16 Hdls., Cup Pt	4
23	00-107242-00001	Foot - Adj. (3 1/8" Lg.)(Use with item 18)	4
24	00-107242-00002	Foot - Adj. (4 9/16" Lg.)(Use with item 19)	4
25	00-107244	Stud & Foot Assy. (Use with items 20 & 21)	4
26	00-080957	Washer	4
27	00-117591	Caster	4
28	00-089247	Foot - Leg	1
29	00-105348-00001	Adjustable Leg & Foot Assy. (7 1/2" Lg.)(Incls. item 28)	1
30	00-105348-00002	Adjustable Leg & Foot Assy. (11" Lg.)(Std.)(Incls. item 28)	1
31	00-105348-00003	Adjustable Leg & Foot Assy. (15 1/2" Lg.)(Incls. item 28)	1
32	00-105348-00004	Adjustable Leg & Foot Assy. (18 1/2" Lg.)(Incls. item 28)	1
33	WL-008-37	Lockwasher 5/8 Int. Shakeproof	4
34	SC-062-51	Cap Screw 5/8-11 x 1 1/2 Hex Hd	4
35	00-105347-00001	Leg & Expansion Plug Assy. (7 1/2" Lg.)	3
36	00-105347-00002	Leg & Expansion Plug Assy. (11" Lg.)(Std.)	3
37	00-105347-00003	Leg & Expansion Plug Assy. (15 1/2" Lg.)	3
38	00-105347-00004	Leg & Expansion Plug Assy. (18 1/2" Lg.)	3
39	00-106732-00001	Catch - Guard	1
40	NS-025-04	Acorn Nut 1/4-20	1
*41	00-290563	Pin - Catch Pivot (Also order item 40)	1
42	WS-022-06	Washer	1
*43	00-108532-00002	Pin-Latch	1
44	NS-015-11	Full Nut 5/16-18 Hex	2
45	WL-006-23	Lockwasher 5/16 Medium SST	2
46	SC-041-13	Cap Screw 5/16-18 x 1 Hex Hd. SST	2
47	00-116914	Stud - Cylinder	2
48	00-113357	Screw - Shoulder	2
*49	00-106545-00002	Block - Hinge	2
50	00-106817	Interlock Actuator Assy.	1
51	00-291053	Stud 1/2" Drive	2
52	00-108629-00001	Shim - Actuator (.065" Thk.)	AR
53	00-108629-00002	Shim - Actuator .13" Thk.)	AR
	00-107135-00003	Adj. Leg & Caster Assy. (9" Lg. Min.)(Incls. items 14,17,18,22,23,26 & 27)	4
	00-107135-00004	Adj. Leg & Caster Assy. (10 1/2" Lg. Min.)(Incls. items 15,17,19,22,24,26 & 27)	4
	00-107243-00003	Adj. Leg & Caster Assy. (13 3/8" Lg. Min.)(Incls. items 16,17,20,22,25,26 & 27)	4
	00-107243-00004	Adj. Leg & Caster Assy. (16 1/4" Lg. Min.)(Incls. items 16,17,21,22,25,26 & 27)	4
	00-290134-00004	Gauge - Gasket	1

*Welded Parts.



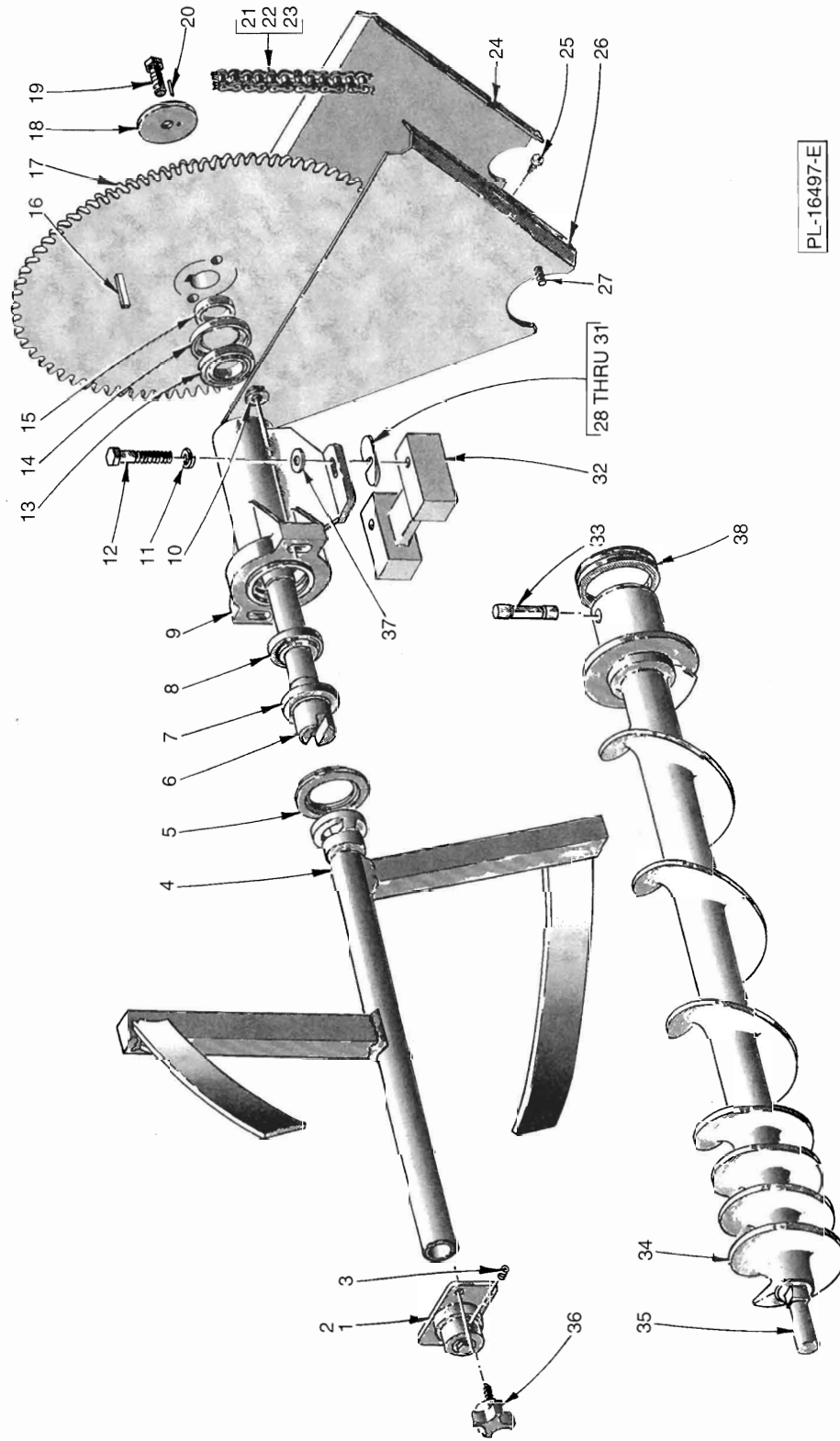
PL-52783

GEAR CASE

ILLUS. PL-52783	PART NO.	NAME OF PART	AMT.
1	SC-018-38	Mach. Screw 8-32 x 1/2 Pan Hd.	3
2	SC-018-11	Mach. Screw 10-24 x 3/8 Pan Hd.	6
3	00-120429	Cover - Junction Box	1
4	00-120430	Gasket - Junction Box Cover	1
5	NS-034-06	Lock Nut Brg. N.D. N-05	1

GEAR CASE (CONT.)

ILLUS. PL-52783	PART NO.	NAME OF PART	AMT.
6	WL-019-78	Lockwasher Brg. Timken TW-105	1
7	SC-036-40	Cap Screw $\frac{5}{16}$ -18 x 1 $\frac{1}{4}$ Hex Hd.	14
8	WL-003-47	Lockwasher $\frac{5}{16}$ Medium	14
9	BB-021-33	Ball Bearing SGL. Row ANG.	1
10	00-438374	Spacer - Drive Sprocket	1
11	00-105226	Spacer - Drive Sprocket	1
12	00-105355	Seal - Oil	1
13	BR-002-11	Roller Bearing - Cone & Cup Assy.	1
14	00-116901-00001	Gear - Driven (163T)(60 Hz.)	1
15	00-116901-00002	Gear - Driven (159T)(50 Hz.)	1
16	00-438373	Sprocket Shaft Assy.	1
17	00-109070-00008	Key	1
18	00-109070-00029	Key	1
19	00-438259	Clutch	1
20	SC-117-56	Cap Screw $\frac{5}{16}$ -18 1 $\frac{3}{4}$ Soc. Hd. "Esllok"	4
21	00-116925	Collar - Thrust Bearing	1
22	00-117086	Race - Thrust Bearing	1
23	BN-004-18	Needle Bearing #BT 3244-5-54	1
24	00-117086	Race - Thrust Bearing	1
25	00-117010	Gear Case Assy.	1
26	00-011800-00239	Dowel	2
27	SC-062-25	Cap Screw $\frac{5}{16}$ -11 x 2 $\frac{1}{4}$ Hex Hd.	2
28	WL-008-37	Lockwasher $\frac{5}{16}$ Int. Shakeproof	2
29	BR-002-36	Roller Bearing - Cup & Cone Assy.	1
30	00-116913	Shaft - Drive	1
31	00-117001	Seal - Drive Shaft	1
32	00-067500-00076	"O" Ring	1
33	00-116917	Retainer - Seal	1
34	SC-067-06	Mach. Screw 10-24 x $\frac{1}{2}$ Hex Hd.	2
35	00-108951	Support Screw & Nut Assy.	2
36	NS-017-25	Jam Nut $\frac{1}{2}$ -13 Hex	8
37	SC-100-12	Mach. Screw $\frac{5}{16}$ -18 x $\frac{3}{4}$ Hex Flange Hd. "Whiz-Loc"	4
38	SC-092-31	Cap Screw $\frac{1}{4}$ -20 x 1 $\frac{1}{2}$ Soc. Fil. Hd.	1
39	FE-015-38	Strain Relief - Elec. (Use W/O Foot Switch)	1
40	00-294855-00001	Cap (Use on Machine W/Foot Switch)	1
41	00-477342	Hose-Barb (Use on Machine W/Foot Switch)	1
42	00-067500-00047	"O" Ring	1
43	00-120207	Sprocket - Drive (11T)	1
44	00-108963-00002	Plug - Oil Fill	1
45	00-116465	Gasket - Window Cover	1
46	00-116464	Cover - Window	1
47	SD-036-39	Self-Tapping Screw 10-24 x $\frac{3}{8}$ Truss Hd, Type TT	4
48	00-105243	Cover - Gear Case	1
49	00-118544-00001	Lug - Solderless	1
50	SC-027-41	Mach. Screw 10-24 x $\frac{3}{8}$ Rd. Hd.	7
51	WL-010-06	Lockwasher 10 Ext. Shakeproof	7
52	WL-003-47	Lockwasher $\frac{5}{16}$ Medium	2
53	SC-037-69	Cap Screw $\frac{5}{16}$ -18 x 1 $\frac{3}{4}$ Hex Hd.	2
54	00-022793	Gauge - Oil Level	1
55	WL-003-47	Lockwasher $\frac{5}{16}$ Medium	1
56	SC-062-28	Cap Screw $\frac{5}{16}$ -18 x 3 $\frac{1}{2}$ Hex Hd.	1
57	WL-003-47	Lockwasher $\frac{5}{16}$ Medium	1
58	SC-097-11	Cap Screw $\frac{5}{16}$ -18 x 4 Hex Hd.	1
59	00-106823	Gasket - Bearing Cap	1
60	00-438279	Cap - Bearing (Metal)	1
61	SC-036-93	Cap Screw $\frac{7}{16}$ -20 x $\frac{3}{4}$ Hex Hd.	1
62	WS-021-20	Washer	1
	00-117120	Seal Retainer Assy. (Incls. items 31, 32 & 33)	1
	00-438376	Kit - Service(Incls. items 5,9,10,12,16,19,20,21, 29 thru 32,38,59 & 60)	1
	00-438562	Bearing Locknut Socket Tool (Use with item 5)	1

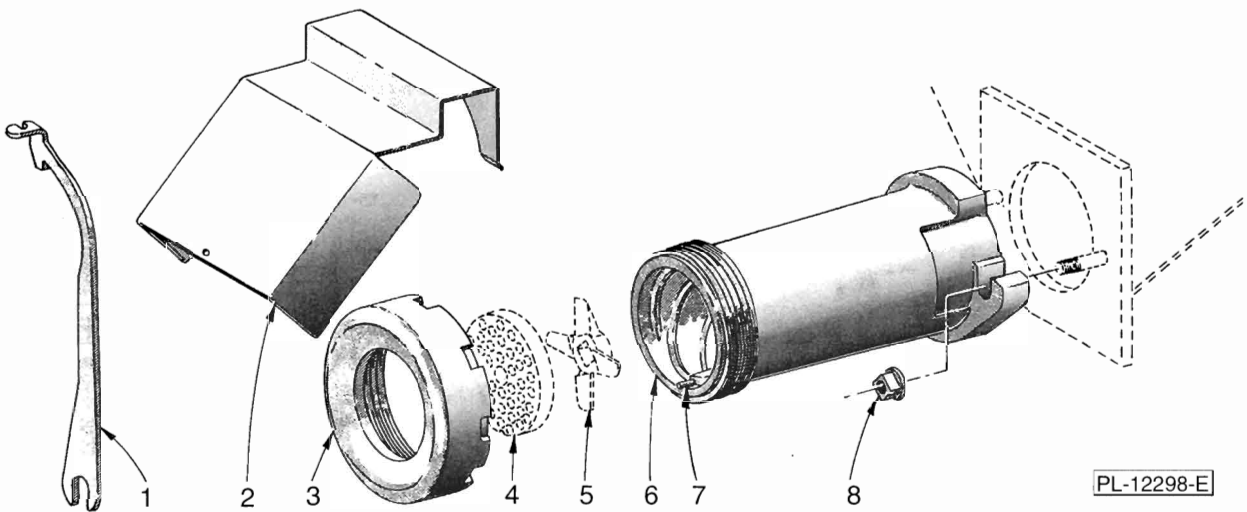


PL-16497-E

WORM AND MIXING ARM UNIT

WORM AND MIXING ARM UNIT

ILLUS. PL-16497-E	PART NO.	NAME OF PART	AMT.
1	00-110342	Bushing Retainer Assy. (Incls. items 2 & 3)	1
2	00-110326	Bushing - Mixing Arm	1
3	SC-116-87	Set Screw 14-20 x 1/4 Soc. Hdls., Cup Pt.	2
4	00-117042	Mixing Arm Assy.	1
5	00-105266	Seal - Outer (Mixing Arm)	1
6	00-116789	Mixing Arm Drive Shaft	1
7	00-105359	Seal - Oil	1
8	BR-002-27	Roller Bearing - Cone & Cup Assy.	1
9	00-116899	Carrier - Bearing	1
10	NS-038-10	Nut - Special Lock 3/8-16	2
11	WL-004-06	Lockwasher 3/8 Medium	2
12	SC-097-31	Cap Screw 3/8-16 x 2 1/2 Hex Hd	2
13	BR-002-27	Roller Bearing - Cone & Cup Assy.	1
14	00-105359	Seal - Oil	1
15	00-105386	Spacer - Sprocket	1
16	00-109070-00022	Key	1
17	00-117013	Sprocket - Driven (84T)	1
18	00-105380	Washer - Sprocket Retaining	1
19	SC-062-48	Cap Screw 3/8-16 x 1 1/2 Hex Hd.	1
20	RP-003-15	Rollpin 1/8 Dia. x 1 Lg.	1
21	00-105193-00002	Chain - Mixing Drive (Incls. items 22 & 23)	1
22	00-107540	Link - Offset (#50)	AR
23	00-107539	Link - Connecting (#50)	AR
24	00-107122	Panel - Oil Splash (Outside)	1
25	SD-019-15	Self-Tapping Screw 8 x 1/2 Pan Hd., Type B	4
26	00-107123	Panel - Oil Splash (Inside)	1
27	SC-018-38	Mach. Screw 8-32 x 1/2 Pan Hd.	2
28	00-105781-00001	Shim (.005" Thk.)(Blue)	AR
29	00-105781-00002	Shim (.010" Thk.)(Brown)	AR
30	00-105781-00003	Shim (.020" Thk.)(Yellow)	AR
31	00-105781-00004	Shim (.030" Thk.)(Coral)	AR
32	00-116912	Spacer - Bearing Carrier	1
33	00-116904	Pin - Shear	1
34	00-116902	Worm Assy. (Incls. items 33 & 35)	1
35	00-070388	Stud - Plate	1
36	00-106830	Thumb Screw Assy.	1
37	WS-018-08	Washer	2
38	00-123074-00003	Seal	1
	00-111693	Mixing Arm Drive Shaft Assy. Unit (Incls. items 6,7,8,14, 20 & Special T-Key)	1
	00-117006	Bearing Carrier Assy. (Incls. items 6,7,8,9,13,14,15 & 20)	1



#52 GRINDER UNIT

ILLUS. PL-12298-E	PART NO.	NAME OF PART	AMT.
1	00-439242	Wrench - Cylinder	1
2	00-117050	Deflector - Meat	1
3	00-116910	Ring - Adjusting	1
4	*	Plate - Grinder	1
5	*	Knife - Grinder	1
6	00-116907	Cylinder & Pin Assy. (Incls. item 7)	1
7	00-122947	Pin - Plate	3
8	00-069862	Nut - Cylinder	2

* Sharp, high quality knives and plates should be purchased or rented for this grinder.