



CATALOG OF REPLACEMENT PARTS



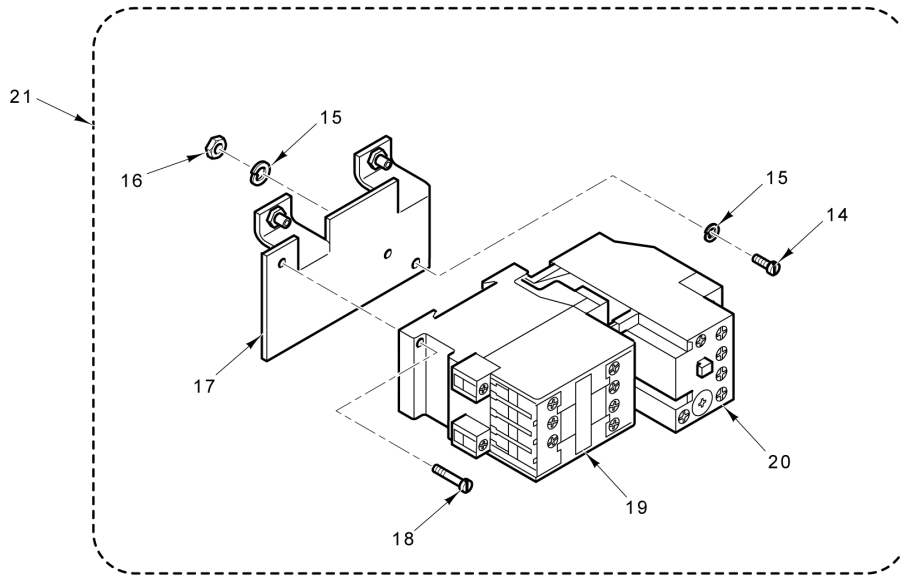
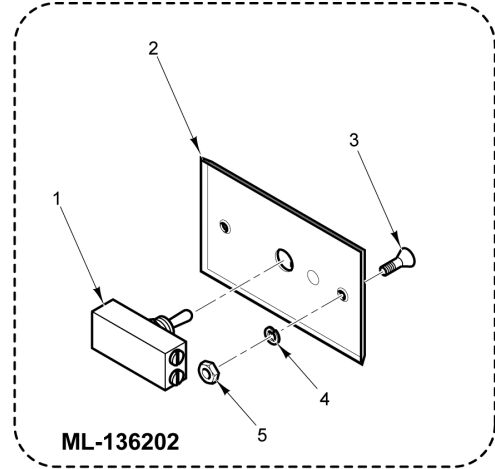
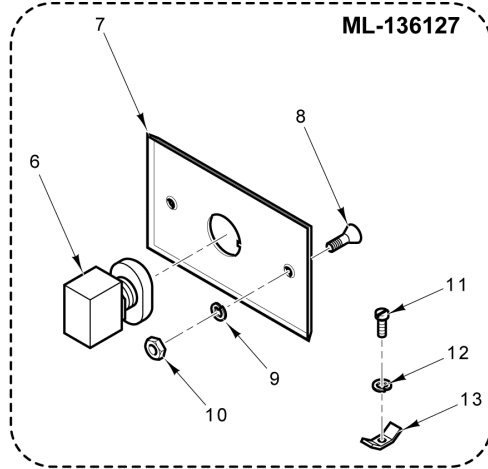
4822 CHOPPER (INTERNATIONAL)

ML-136127
ML-136202

4822 CE
4822 (Korean)

Table of Contents

5	ELECTRICAL COMPONENTS
7	HOUSING UNIT
9	MOTOR ASSEMBLY
11	#22 CHOPPER ATTACHMENT UNIT (NSF)
13	#22 FS CHOPPER ATTACHMENT UNIT (NSF)



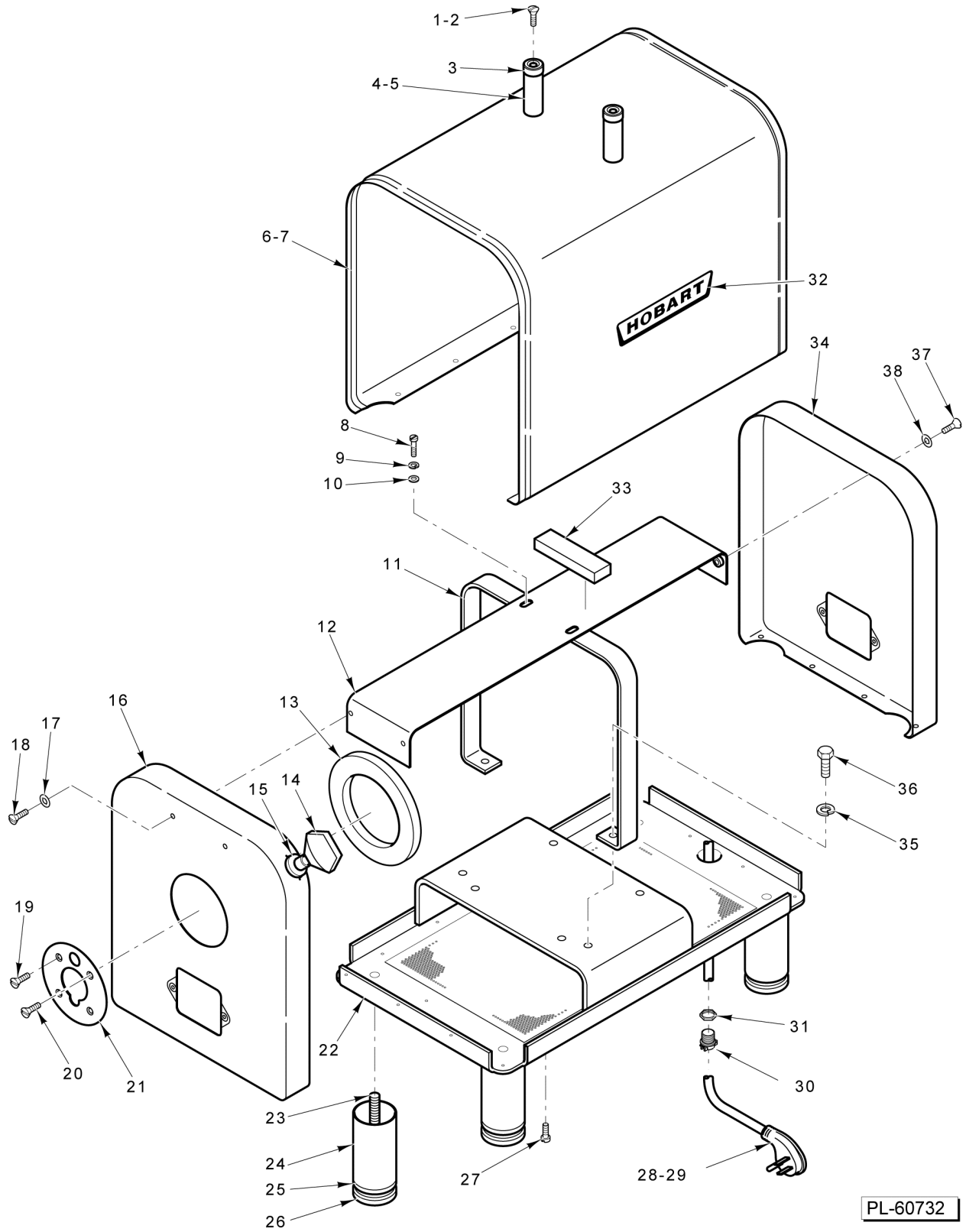
22 00-438074-00002 Snubber Assy.
PART NOT ILLUSTRATED

PL-60731

ELECTRICAL COMPONENTS

ELECTRICAL COMPONENTS

ILLUS. PL-60731	PART NO.	NAME OF PART	AMT.
1	00-944059	Switch Assy. (With Two Harnesses) (ML-136202).....	1
2	00-291961	Plate - Switch (ML-136202).....	1
3	SC-030-06	Mach. Screw 6-32 x 3/8 Slotted Oval Hd. (Brass) (ML-136202).....	2
4	WL-019-32	Lockwasher #6 External (ML-136202).....	2
5	NS-009-07	Nut 6-32 Hex (ML-136202).....	2
6	00-087711-232-1	Switch (Start/Stop) (ML-136127).....	1
7	00-119953	Plate - Switch (ML-136127).....	1
8	SC-030-06	Mach. Screw 6-32 x 3/8 Slotted Oval Hd. (Brass) (ML-136127).....	2
9	WL-019-32	Lockwasher #6 External (ML-136127).....	2
10	NS-009-07	Nut 6-32 Hex (ML-136127).....	2
11	SC-027-28	Mach. Screw 8-32 x 1/9 Slotted Rd. Hd. (Brass) (ML-136127).....	1
12	WL-010-01	Lockwasher #8 External Shakeproof (ML-136127).....	1
13	00-065890-00090	Terminal - Grounding (ML-136127).....	1
14	SC-027-29	Mach. Screw 8-32 x 3/8 Slotted Rd. Hd. (Brass) (ML-136127).....	1
15	WL-010-01	Lockwasher #8 External Shakeproof (ML-136127).....	2
16	NS-010-11	Nut 8-32 Hex (Brass) (ML-136127).....	2
17	00-914102	Plate - Electrical Weldment (ML-136127).....	1
18	SC-025-17	Mach. Screw 6-32 x 5/8 Slotted Bndg. Hd. (ML-136127).....	2
19	00-914288	Contacto (ML-136127).....	1
20	00-914287	Overload (ML-136127).....	1
21	00-914280-00001	Plate - Electrical Assy. (Incls. Items 14 thur 20).....	1
22	00-438074-00002	Snubber Assy. (Not Shown) (ML-136127).....	1

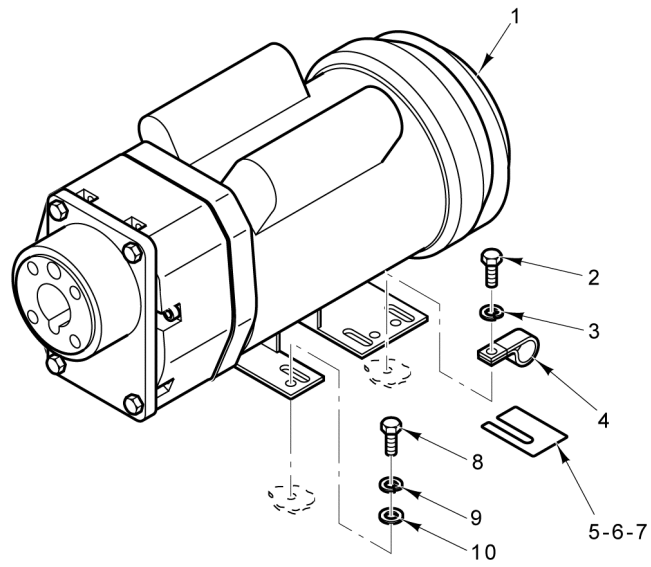


HOUSING UNIT

PL-60732

HOUSING UNIT

ILLUS.	PART NO.	NAME OF PART	AMT.
1	SC-060-10	Mach. Screw 8-32 x 3 Slotted Rd. Hd.....	2
2	SC-009-96	Mach. Screw 8-32 x 1-1/4 Slotted Rd. Hd. (Use with FS Chopper Attachment).....	2
3	00-019105-00001	Bumper.....	2
4	00-119911	Spacer - Pan Rest.....	2
5	00-065999-00002	Spacer - Pan Rest (Use with FS Chopper Attachment).....	2
6	00-290481-00018	Housing Assy. (ML-136202).....	1
7	00-290481-00019	Housing Assy. (ML-136127).....	1
8	SC-010-16	Mach. Screw 10-24 x 1/2 Slotted Truss Hd.....	2
9	WL-007-12	Lockwasher #10 External Shakeproof.....	2
10	WS-023-07	Washer.....	2
11	00-875720	Support - Frame & Housing.....	1
12	00-875722-00001	Bracket - Locating.....	1
13	00-064818	Gasket - Attachment Hub.....	1
14	00-108197-00004	Thumb Screw Assy.....	1
15	00-064824	Grommet (Thumb Screw).....	1
16	00-064804-00008	Panel - Front Housing.....	1
17	WC-004-10	Washer - Countersunk.....	2
18	SC-015-36	Mach. Screw 10-24 x 5/8 Slotted Oval Hd.....	2
19	SC-022-17	Mach. Screw 10-24 x 3/8 Slotted Flat Hd. (SST).....	3
20	SC-022-16	Mach. Screw 10-24 x 5/16 Slotted Flat Hd. (SST).....	1
21	00-914106	Washer - Trim (Attachment Hub).....	1
22	00-875551	Frame Weldment.....	1
23	00-290061-00002	Stud - Leg.....	4
24	00-290060-00002	Leg.....	4
25	00-064814	Cap - Leg End.....	4
26	00-083681	Foot - Rubber.....	4
27	SC-025-07	Mach. Screw 10-24 x 5/16 Slotted Bndg. Hd. (SST).....	18
28	00-117542-00024	Cord & Plug Assy. (ML-136127).....	1
29	00-117542-00114	Cord & Plug Assy. (ML-136202).....	1
30	FE-008-20	Strain Relief (1 Ph.).....	1
31	FE-007-12	Lock Nut 3/4 Electrical.....	1
32	00-118365	Logo (Hobart).....	1
33	00-064810	Strip - Compression.....	2
34	00-064805-00008	Panel - Rear Housing.....	1
35	WL-003-47	Lockwasher 5/16 Helical.....	2
36	SC-036-40	Cap Screw 5/16-18 x 1-1/4 Hex Hd.....	2
37	SC-015-36	Mach. Screw 10-24 x 5/8 Slotted Oval Hd.....	2
38	WC-004-10	Washer - Countersunk.....	2

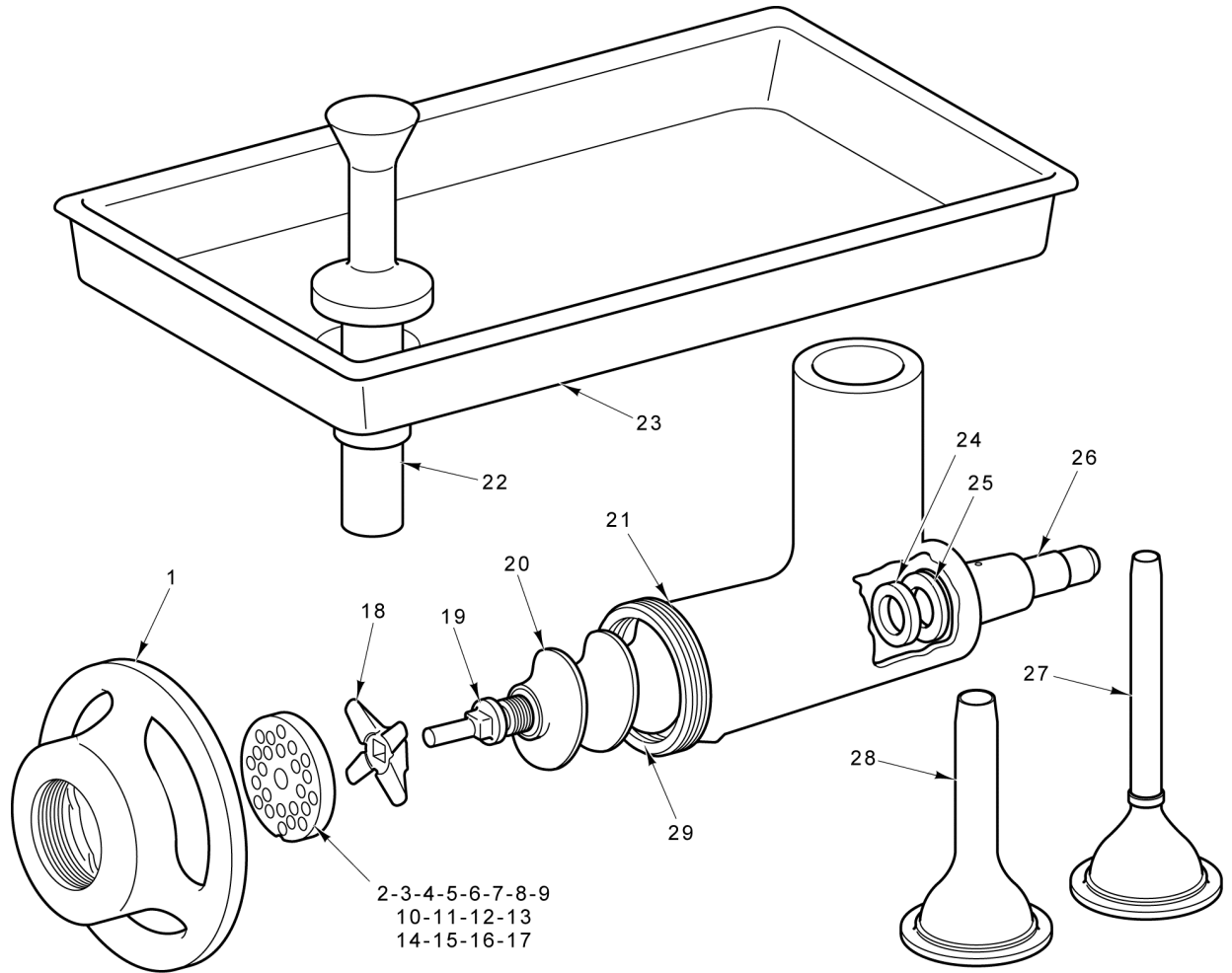


PL-60733

MOTOR ASSEMBLY

MOTOR ASSEMBLY

ILLUS.	PART NO.	NAME OF PART	AMT.
PL-60733			
1	00-914109-00003	Motor Assy.....	1
2	SC-027-29	Mach. Screw 8-32 x 3/8 Slotted Rd. Hd. (Brass).....	1
3	WL-011-01	Lockwasher #8 Internal Shakeproof.....	2
4	00-078752-00004	Retainer (7/16 In.).....	1
5	00-914128-00001	Shim - Motor (0.005 Thk.).....	AR
6	00-914128-00002	Shim - Motor (0.010 Thk.).....	AR
7	00-914128-00003	Shim - Motor (0.020 Thk.).....	AR
8	SC-036-40	Cap Screw 5/16-18 x 1-1/4 Hex Hd.....	4
9	WL-003-47	Lockwasher 5/16 Helical.....	4
10	WS-029-86	Washer.....	4

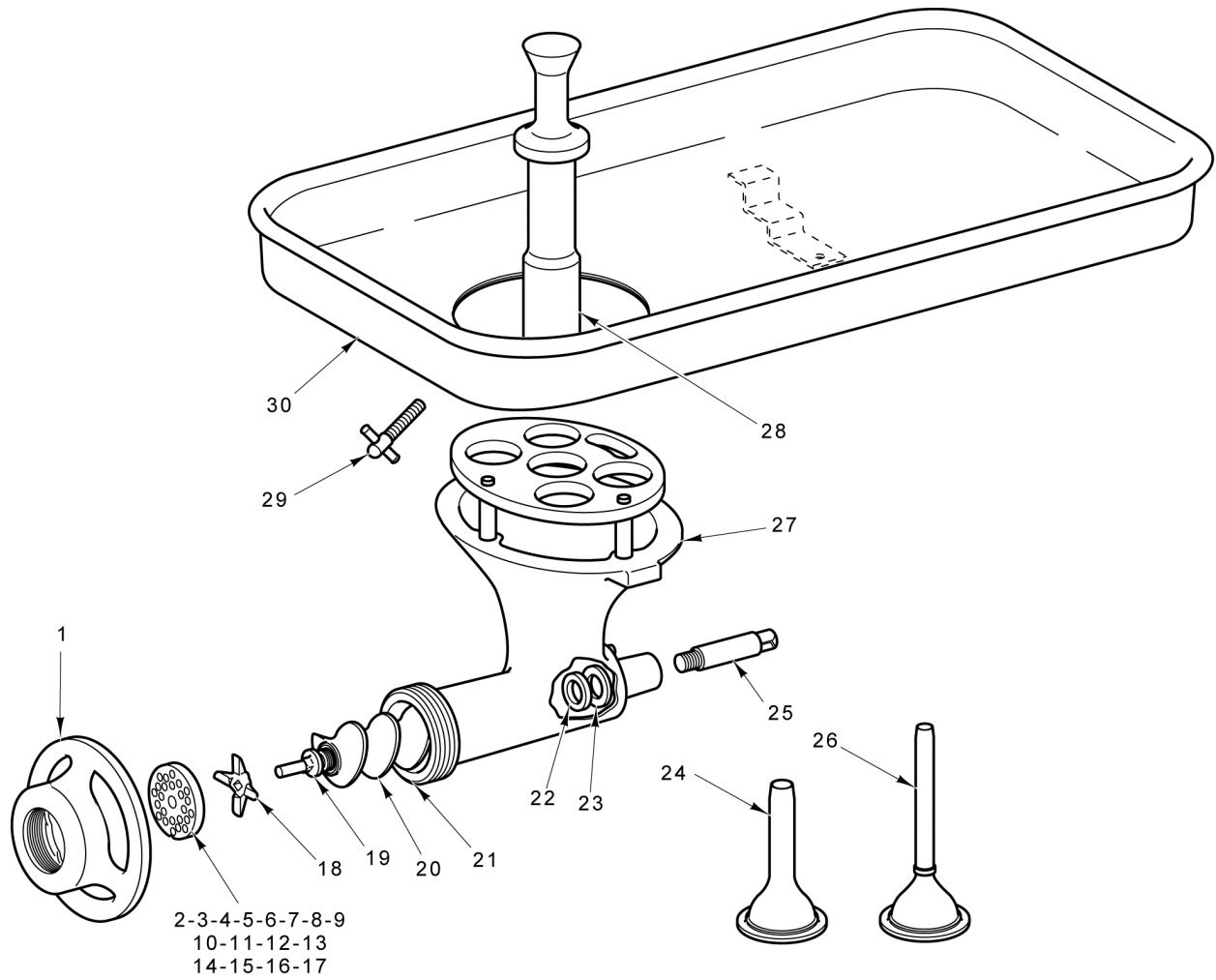


PL-60734

#22 CHOPPER ATTACHMENT UNIT (NSF)

#22 CHOPPER ATTACHMENT UNIT (NSF)

ILLUS.	PART NO.	NAME OF PART	AMT.
1	00-077643-00002	Ring - Adjusting (Tinned).....	1
2	00-016430-00001	Chopper Plate (1/8 In. Dia. Holes) (Carbon Steel).....	1
3	00-016431-00001	Chopper Plate (3/16 In. Dia. Holes) (Carbon Steel).....	1
4	00-016432-00001	Chopper Plate (1/4 In. Dia. Holes) (Carbon Steel).....	1
5	00-016433-00001	Chopper Plate (3/8 In. Dia. Holes) (Carbon Steel).....	1
6	00-016434-00001	Chopper Plate (1/2 In. Dia. Holes) (Carbon Steel).....	1
7	00-103969-00001	Chopper Plate (5/8 In. Dia. Holes) (Carbon Steel).....	1
8	00-016436-00001	Chopper Plate (3/4 In. Dia. Holes) (Carbon Steel).....	1
9	00-016437-00001	Chopper Plate (15/16 In. Dia. Holes) (Carbon Steel).....	1
10	00-016430-00002	Chopper Plate (1/8 In. Dia. Holes) (Stay Sharp).....	1
11	00-016431-00002	Chopper Plate (3/16 In. Dia. Holes) (Stay Sharp).....	1
12	00-016432-00002	Chopper Plate (1/4 In. Dia. Holes) (Stay Sharp).....	1
13	00-016433-00002	Chopper Plate (3/8 In. Dia. Holes) (Stay Sharp).....	1
14	00-016434-00002	Chopper Plate (1/2 In. Dia. Holes) (Stay Sharp).....	1
15	00-103969-00002	Chopper Plate (5/8 In. Dia. Holes) (Stay Sharp).....	1
16	00-016436-00002	Chopper Plate (3/4 In. Dia. Holes) (Stay Sharp).....	1
17	00-016437-00002	Chopper Plate (15/16 In. Dia. Holes) (Stay Sharp).....	1
18	00-290372	Knife - Chopper (Stay Sharp).....	1
19	00-015880	Stud - Plate.....	1
20	00-015881	Worm Assy. (Incls. Items 19, 24, & 26).....	1
21	00-119760-00001	Chopper Cylinder Assy. (Tinned) (Incls. Items 25 & 29).....	1
22	00-122554	Feed Stomper (Plastic).....	1
23	00-122555	Pan - Feed.....	1
24	00-004221	Washer - Worm Thrust.....	1
25	00-004839-00001	Washer - Cylinder Thrust.....	1
26	00-007201	Stud - Square Drive.....	1
27	00-295184	Stuffer - Sausage (Sheep Casing) (Packaged).....	1
28	00-295182	Stuffer - Sausage (Hog Casing) (Packaged).....	1
29	00-122983	Pin - Plate.....	1



PL-60735

#22 FS CHOPPER ATTACHMENT UNIT (NSF)

#22 FS CHOPPER ATTACHMENT UNIT (NSF)

ILLUS. PL-60735	PART NO.	NAME OF PART	AMT.
1	00-077643-00002	Ring - Adjusting.....	1
2	00-016430-00001	Chopper Plate (1/8 In. Dia. Holes) (Carbon Steel).....	1
3	00-016431-00001	Chopper Plate (3/16 In. Dia. Holes) (Carbon Steel).....	1
4	00-016432-00001	Chopper Plate (1/4 In. Dia. Holes) (Carbon Steel).....	1
5	00-016433-00001	Chopper Plate (3/8 In. Dia. Holes) (Carbon Steel).....	1
6	00-016434-00001	Chopper Plate (1/2 In. Dia. Holes) (Carbon Steel).....	1
7	00-103969-00001	Chopper Plate (5/8 In. Dia. Holes) (Carbon Steel).....	1
8	00-016436-00001	Chopper Plate (3/4 In. Dia. Holes) (Carbon Steel).....	1
9	00-016437-00001	Chopper Plate (15/16 In. Dia. Holes) (Carbon Steel).....	1
10	00-016430-00002	Chopper Plate (1/8 In. Dia. Holes) (Stay Sharp).....	1
11	00-016431-00002	Chopper Plate (3/16 In. Dia. Holes) (Stay Sharp).....	1
12	00-016432-00002	Chopper Plate (1/4 In. Dia. Holes) (Stay Sharp).....	1
13	00-016433-00002	Chopper Plate (3/8 In. Dia. Holes) (Stay Sharp).....	1
14	00-016434-00002	Chopper Plate (1/2 In. Dia. Holes) (Stay Sharp).....	1
15	00-103969-00002	Chopper Plate (5/8 In. Dia. Holes) (Stay Sharp).....	1
16	00-016436-00002	Chopper Plate (3/4 In. Dia. Holes) (Stay Sharp).....	1
17	00-016437-00002	Chopper Plate (15/16 In. Dia. Holes) (Stay Sharp).....	1
18	00-290372	Knife - Chopper (Stay Sharp).....	1
19	00-015880	Stud - Plate.....	1
20	00-068338	Worm Assy. (Incls. Items 19, 22, & 25).....	1
21	00-122983	Pin - Plate.....	1
22	00-004221	Washer - Worm Thrust.....	1
23	00-004839-00001	Washer - Cylinder Thrust.....	1
24	00-295182	Stuffer - Sausage (Hog Casing) (Packaged).....	1
25	00-007201	Stud - Square Drive.....	1
26	00-295184	Stuffer - Sausage (Sheep Casing) (Packaged).....	1
27	00-085386	Chopper Cylinder & Guard Assy. (Guard 1-3/8 High) (Incls. Items 21 & 23).....	1
28	00-089272-00008	Feed Stomper (Plastic).....	1
29	00-022306	Clamp Screw Assy.....	1
30	00-437381	Feed Pan Assy. (SST) (Incls. item 29).....	1

