



# CATALOG OF REPLACEMENT PARTS

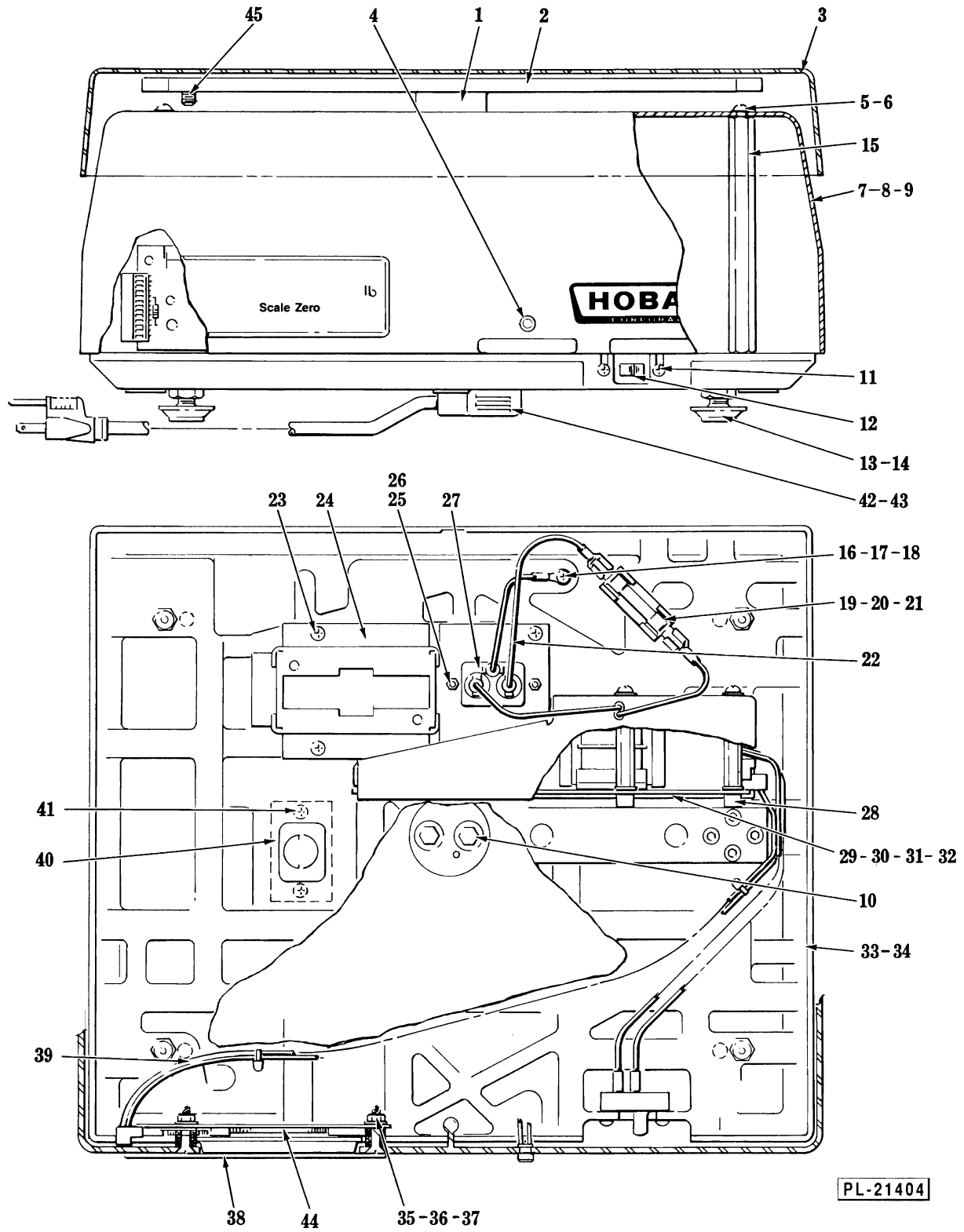
## MODELS 5018 & 5018V SCALES

ML-28769 5018  
ML-28770 5018V  
ML-28789 5018  
ML-28790 5018V

THIS MANUAL REPLACES AND SHOULD BE  
USED INSTEAD OF FORM 15963 (7-85).

### PRIOR ML'S COVERED IN THIS MANUAL:

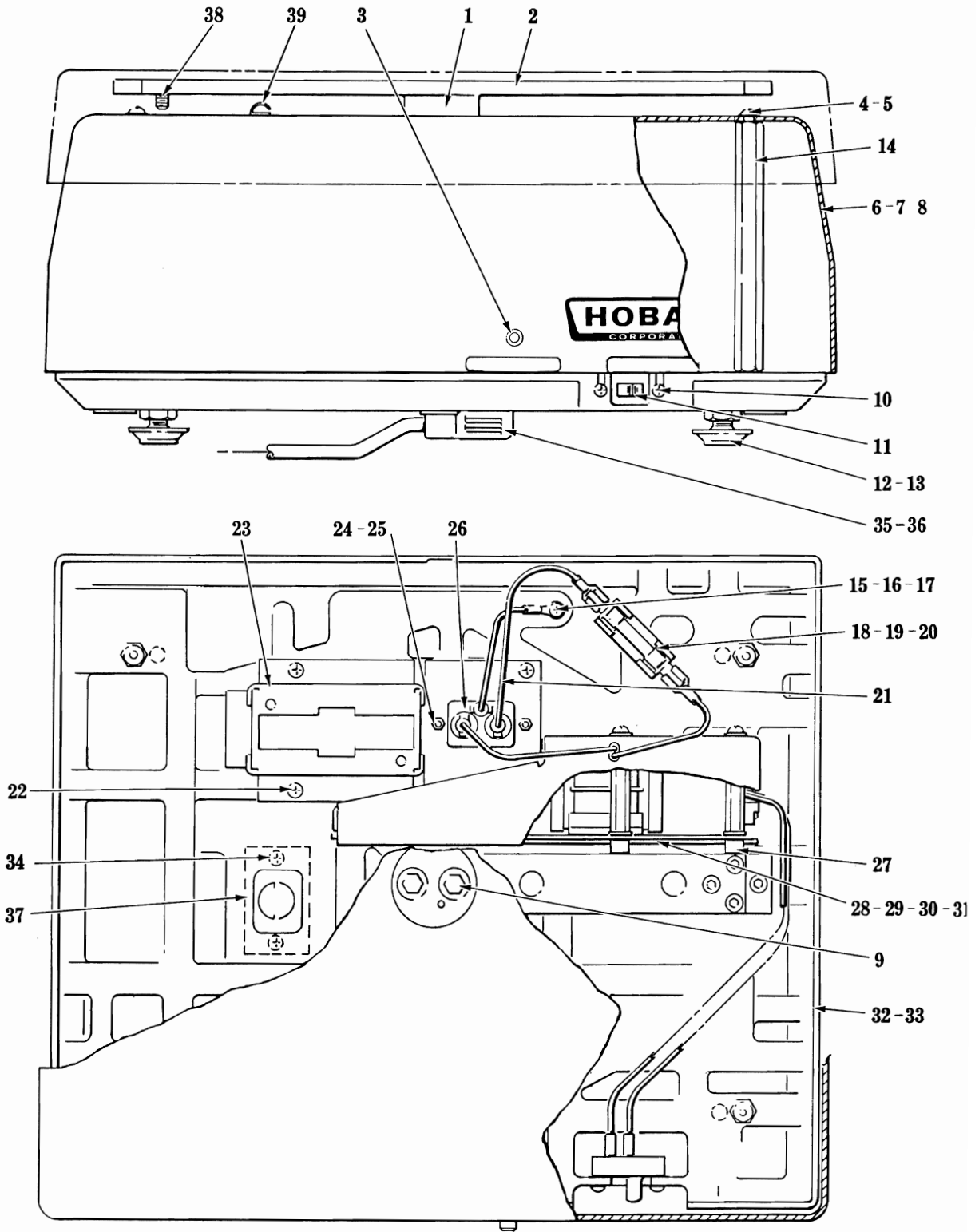
ML-28742 5018  
ML-28743 5018V



**BASE UNIT (5018V)**

## BASE UNIT (5018V)

ILLUS. PL-21404	PART NO.	NAME OF PART	AMT.
1	257442	Block & Rollpin Assy .....	1
2	257591	Platter Support Assy .....	1
3	257490	Platter Assy (Above Well) (Packaged) .....	1
4	258896-1	Indicator Harness Assy (ML-28769) .....	1
5	SC-18-34	Mach. Screw 8-32 X 1/2 Phil Pan Hd. ....	4
6	12851	Washer .....	4
7	258911	Housing Cover, Logo & Label Assy (Incls. items 35, 36, 37, 38 & 44)(ML-28770)(Cream) .....	1
8	184007	Housing Cover, Logo & Label Assy (Incls. items 35, 36, 37, 38 & 44)(ML-28790) (Gray) .....	1
9	183265	Housing Cover, Logo & Label Assy (Incls. items 35, 36, 37, 38 & 44)(ML-28743)(Cream) .....	1
10	257449	Cap Screw - Special .....	2
11	SD-35-80	Self-Tapping Screw 6-20 X 3/8 Phil Truss Hd., Type BT .....	2
12	41053	Switch - On/Off .....	1
13	93160	Foot - Level (Incls. item 13) .....	4
14	NS-35-13	Special Nut 3/8-24 "Palnut" .....	4
15	252244	Post - Cover Support .....	4
16	183236	Ground Wire Assy .....	1
17	SD-15-40	Self-Tapping Screw 8-32 X 3/8 Phil Pan Hd., Type TT .....	1
18	WL-7-7	Lockwasher 8 External Shakeproof .....	1
19	257574	Block - Fuse .....	1
20	SD-15-38	Self-Tapping Screw 6-32 X 3/8 Phil Pan Hd., Type TT .....	1
21	FE-22-28	Fuse 250V 1/2 Amp .....	1
22	183235	Wire Assy .....	1
23	SD-15-40	Self-Tapping Screw 8-32 X 3/8 Phil Pan Hd., Type TT .....	4
24	257586	Bracket - Connection Mounting .....	1
25	SC-113-10	Mach. Screw 4-40 X 3/8 Phil Pan Hd. ....	2
26	NS-44-1	Nut Assy 4-40 "Keps" .....	2
27	257573	Filter Assy .....	1
28	257571	Spacer - Control Board .....	3
29	258914-2	Control Board Assy .....	1
30	258663	Prom Kit .....	1
31	SC-18-34	Mach. Screw 8-32 X 1/2 Phil Pan Hd. ....	1
32	12851	Washer .....	1
33	258487-2	Base - Scale (ML-28769 & ML-28770) (Burgundy) .....	1
34	184003	Base - Scale (ML-28789 & ML-28790) (Gray) .....	1
35	12851	Washer .....	2
36	257741	Spacer .....	2
37	NS-46-20	Special Nut 5/32 "Palnut" .....	2
38	183263	Display Screen Assy .....	1
39	183316-1	Wiring Harness Assy (Display) .....	1
40	257617	Plate - Cover .....	1
41	SD-15-40	Self-Tapping Screw 8-32 X 3/8 Phil Pan Hd., Type TT .....	2
42	257200	Cord - Power Supply (Straight Plug) .....	1
43	334654	Cord - Power Supply (Angled Plug) .....	1
44	183270	Display Board Assy .....	1
45	41034	Set Screw 1/4-20 "Nylok" .....	4
	257482	Fastener - Platter Support (Velcro) .....	1
	257483	Fastener - Platter (Velcro) .....	1

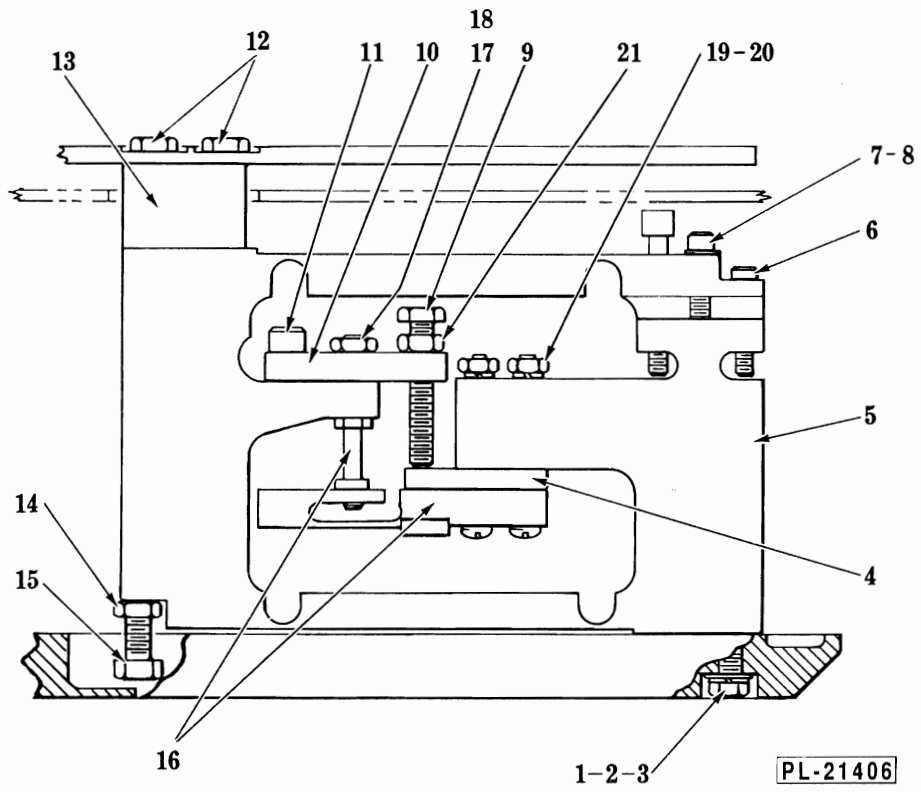


PL-21405

BASE UNIT (5018)

## BASE UNIT (5018)

ILLUS. PL-21405	PART NO.	NAME OF PART	AMT.
1	257442	Block & Rollpin Assy .....	1
2	257591	Platter Support Assy .....	1
3	258896-1	Indicator Harness Assy (ML-28769) .....	1
4	SC-18-34	Mach. Screw 8-32 X 1/2 Phil Pan Hd. ....	4
5	12851	Washer .....	4
6	184006	Housing Cover, Logo & Label Assy (ML-28789) (Gray) .....	1
7	258910	Housing Cover, Logo & Label Assy (ML-28769) (Cream) .....	1
8	183319	Housing Cover, Logo & Label Assy. (ML-28742) (Cream) .....	1
9	257449	Cap Screw - Special .....	2
10	SD-35-80	Self-Tapping Screw 6-20 X 3/8 Phil Truss Hd., Type BT .....	2
11	41053	Switch - On/Off .....	1
12	93160	Foot - Level (Incls. item 13) .....	4
13	NS-35-13	Special Nut 3/8-24 "Palnut" .....	4
14	252244	Post - Cover Support .....	4
15	183236	Ground Wire Assy .....	1
16	SD-15-40	Self-Tapping Screw 8-32 X 3/8 Phil Pan Hd., Type TT .....	1
17	WL-7-7	Lockwasher 8 External Shakeproof .....	1
18	257574	Block - Fuse .....	1
19	SD-15-38	Self-Tapping Screw 6-32 X 3/8 Phil Pan Hd., Type TT .....	1
20	FE-22-28	Fuse 250V 1/2 Amp .....	1
21	183235	Wire Assy .....	1
22	SD-15-40	Self-Tapping Screw 8-32 X 3/8 Phil Pan Hd., Type TT .....	4
23	257586	Bracket - Connection Mounting .....	1
24	SC-113-10	Mach. Screw 4-40 X 3/8 Phil Pan Hd. ....	2
25	NS-44-1	Nut Assy 4-40 "Keps" .....	2
26	257573	Filter Assy .....	1
27	257571	Spacer - Control Board .....	3
28	258914-2	Control Board Assy .....	1
29	258663	Prom Kit .....	1
30	SC-18-34	Mach. Screw 8-32 X 1/2 Phil Pan Hd. ....	1
31	12851	Washer .....	1
32	258487-2	Base - Scale (ML-28769 & ML-28770) (Burgundy) .....	1
33	184003	Base - Scale (ML-28789 & ML-28790) (Gray) .....	1
34	SD-15-40	Self-Tapping Screw 8-32 X 3/8 Phil Pan Hd., Type TT .....	2
35	257200	Cord - Power Supply (Straight Plug) .....	1
36	334654	Cord - Power Supply (Angled Plug) .....	1
37	257617	Plate - Cover .....	1
38	41034	Set Screw 1/4-20 "Nylok" .....	4
39	259515	Contact - Finger (16 Pieces) .....	1
	PB-4-35	Plug Button (Bottom of Base) .....	1
	257482	Fastener - Platter Support (Velcro) .....	1
	257483	Fastener - Platter (Velcro) .....	1

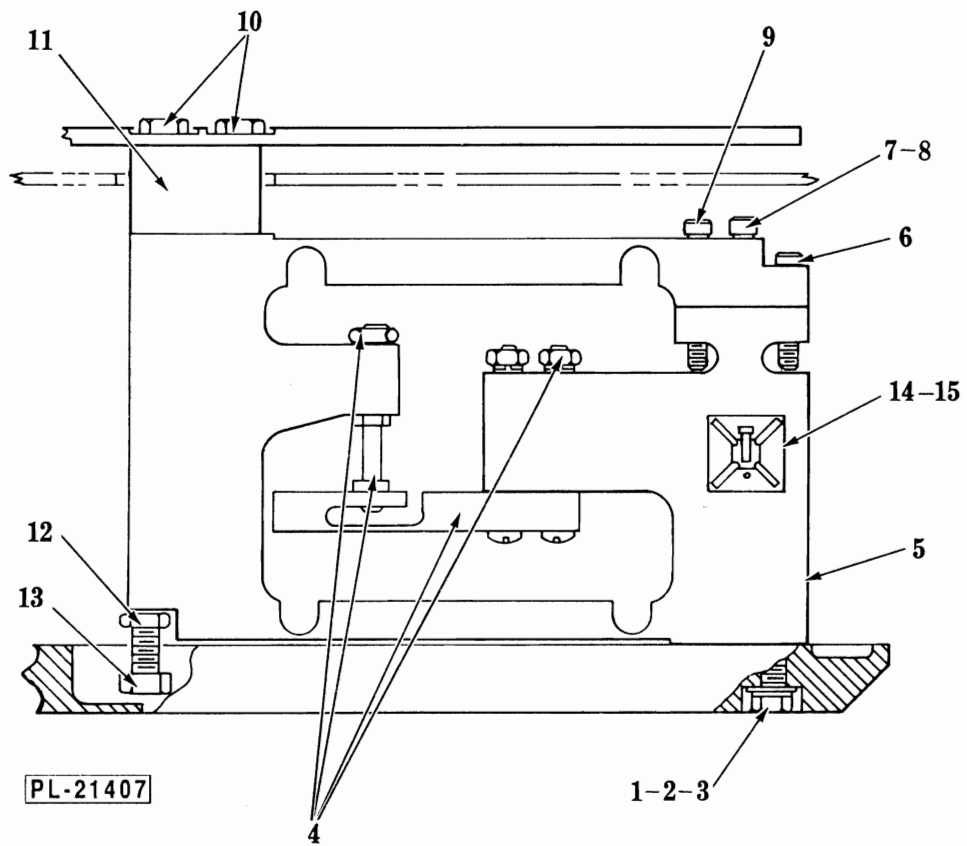


**LOAD CELL (5018V)  
(WITH SPACERS)**

**LOAD CELL (5018V)  
(WITH SPACERS)**

ILLUS. PL-21406	PART NO.	NAME OF PART	AMT.
1	SC-37-87	Cap Screw 1/4-20 X 1 Hex Hd. ....	2
2	WS-3-19	Washer .....	2
3	WL-3-39	Lockwasher 1/4 Light .....	2
4	252257	Spacer .....	1
5	**	Flexure - Load Cell .....	5
6	SC-92-8	Cap Screw 10-32 X 1 1/8 Socket Fil. Hd. ....	2
7	SC-112-98	Cap Screw 10-32 X 1 1/4 Socket Fil. Hd. ....	2
8	WS-28-18	Washer .....	2
9	258628	Screw - Special .....	1
10	**	Block - Limit .....	1
11	SC-89-2	Cap Screw 1/4-20 X 3/4 Socket Fil. Hd. ....	1
12	257449	Cap Screw - Special .....	2
13	257442	Block & Rollpin Assy .....	1
14	NS-13-2	Full Nut 1/4-20 Hex .....	2
15	SC-37-87	Cap Screw 1/4-20 X 1 Hex Hd. ....	1
16	257479	Load Cell Kit (Replaces HBM or Revere) .....	1
17	WS-3-19	Washer (Use with item 5) .....	AR
18	NS-13-2	Full Nut 1/4-20 Hex .....	1
19	NS-9-12	Mach. Nut 8-32 Hex .....	2
20	WL-3-12	Lockwasher 8 Medium .....	2
21	NS-17-60	Jam Nut 1/4-28 Hex .....	1

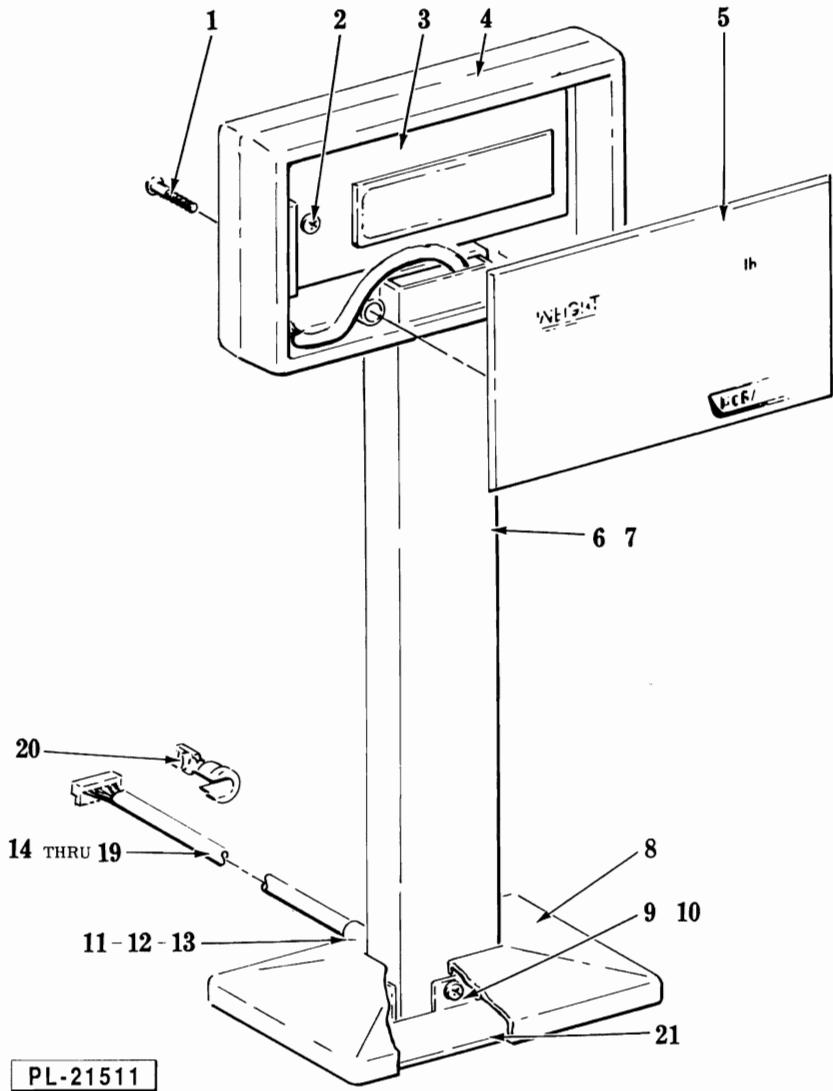
\*\* Not Available, Order Item 17 & 259441 ( Load Cell Without Spacers)



**LOAD CELLS (WITHOUT SPACERS)**

**LOAD CELL (WITHOUT SPACERS)**

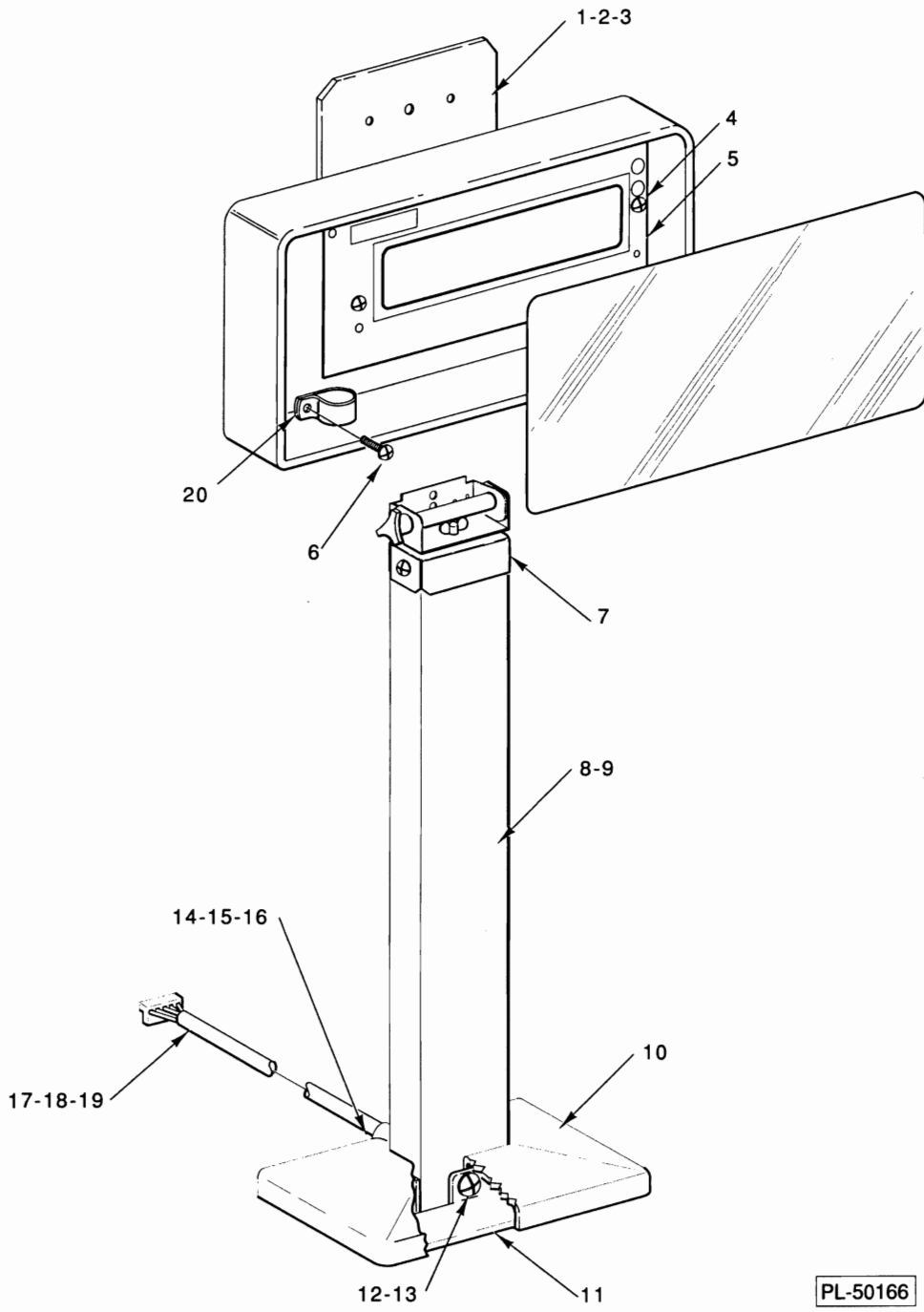
<b>ILLUS.</b> <b>PL-21407</b>	<b>PART NO.</b>	<b>NAME OF PART</b>	<b>AMT.</b>
1	SC-37-87	Cap Screw 1/4s-20 X 1 Hex Hd. ....	2
2	WS-3-19	Washer .....	2
3	WL-3-39	Lockwasher 1/4 Light .....	2
4	257479	Load Cell Kit (Replaces HBM or Revere) .....	1
5	259441	Flexure - Load Cell .....	1
6	SC-92-8	Cap Screw 10-32 X 1 1/8 Socket Fil. Hd. ....	1
7	SC-112-98	Cap Screw 10-32 X 1 1/4 Socket Fil. Hd. ....	2
8	WS-28-18	Washer .....	2
9	258628	Screw - Special .....	1
10	257449	Cap Screw - Special .....	2
11	257442	Block & Rollpin Assy .....	1
12	NS-13-2	Full Nut 1/4-20 Hex .....	2
13	SC-37-87	Cap Screw 1/4-20 X 1 Hex Hd. ....	1
14	255503	Mount - Cable Tie .....	1
15	251199	Tie - Cable (4" Long) .....	AR



REMOTE DISPLAY (5018)

### REMOTE DISPLAY (5018)

ILLUS. PL-21511	PART NO.	NAME OF PART	AMT.
1	SD-33-83	Self-Tapping Screw 6-20 X 7/8 Phil Pan Hd., Type BT .....	2
2	SD-7-13	Self-Tapping Screw 6-20 X 1/4 Phil Pan Hd., Type B .....	2
3	183270	Display Board Assy .....	1
4	257709	Housing - Display (Cream) .....	1
5	259557	Display Screen Assy .....	1
6	183563	Post - Display (12") .....	1
7	183566	Post - Display (18") .....	1
8	183557-1	Cover - Base (Burgundy) .....	1
9	WL-8-1	Lockwasher 6 Internal Shakeproof .....	3
10	SC-18-27	Mach. Screw 6-32 X 3/16 Phil Pan Hd. ....	3
11	257751	Clamp - Harness .....	AR
12	WL-8-7	Lockwasher 8 Internal Shakeproof .....	1
13	257670	Special Nut .....	AR
14	257724-2	Display Harness Assy (2 Ft.) .....	1
15	257724-3	Display Harness Assy (6 Ft.) .....	1
16	257724-4	Display Harness Assy (12 Ft.) .....	1
17	257724-5	Display Harness Assy (20 Ft.) .....	1
18	257724-6	Display Harness Assy (25 Ft.) .....	1
19	257724-7	Display Harness Assy (2 1/2 Ft.) .....	1
20	252620	Bushing - Strain Relief .....	1
21	183564	Display Base Assy .....	1

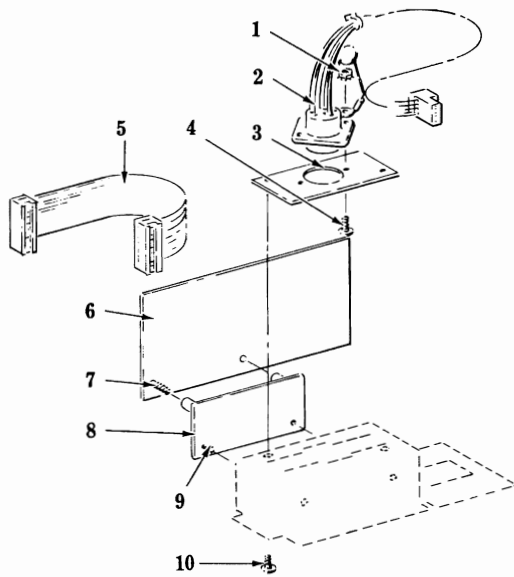


PL-50166

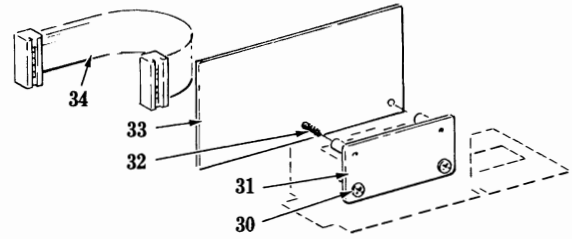
**REMOTE DISPLAY 5018 (POS)**

## REMOTE DISPLAY 5018 (POS)

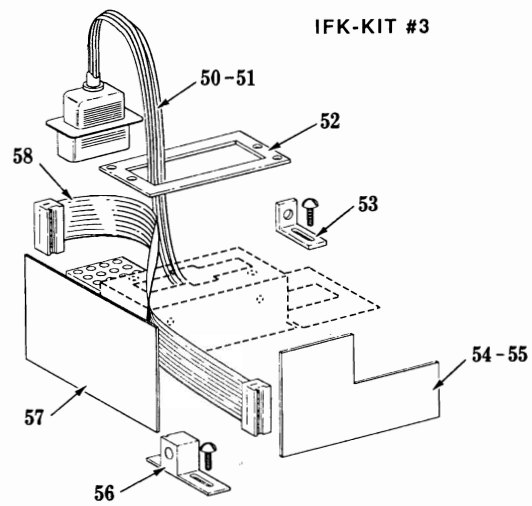
ILLUS. PL-50166	PART NO.	NAME OF PART	AMT.
1	460439	Plate - Mounting (Dual Display) .....	1
2	SC-120-46	Mach. Screw M4 X 0.7 X 16MM Cheese Hd. ....	1
3	NS-47-48	Hex Nut M4 X 0.7 .....	1
4	460371	Screw M3 X .05 X 6MM, Pan Hd. ....	2
5	183270	Display Board Assy .....	1
6	460372	Screw M3-0.50 X 8MM Phil Pan Hd. ....	1
7	460431	Mount Assy (Display) .....	1
8	183563	Post - Display (12") .....	1
9	183566	Post - Display (18") .....	1
10	183557-2	Cover - Base (Dual Outlet) (Gray) .....	1
11	183564	Display Base Assy .....	1
12	SC-18-27	Mach. Screw 6-32 X 3/16 Phil Pan Hd. ....	3
13	WL-8-1	Lockwasher 6 Internal Shakeproof .....	3
14	257751	Clamp - Harness .....	2
15	WL-8-7	Lockwasher 8 Internal Shakeproof .....	2
16	257670	Special Nut .....	2
17	183606-1	Harness - Remote Display Assy (6 Ft.) .....	1
18	183606-2	Harness - Remote Display Assy (9 Ft.) .....	1
19	183606-3	Harness - Remote Display Assy (12 Ft.) .....	1
20	30695	Clip - Cable 1/4" Dia. ....	1



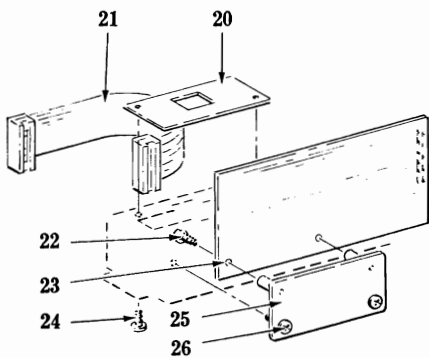
IFK-KIT #1



IFK-KIT #3

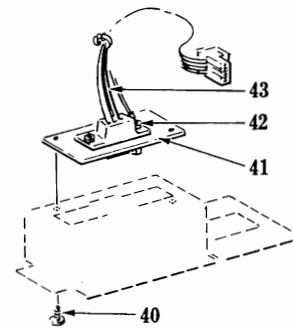


IFK-KIT #4  
IFK-KIT #5



IFK-KIT #2

PL-21512

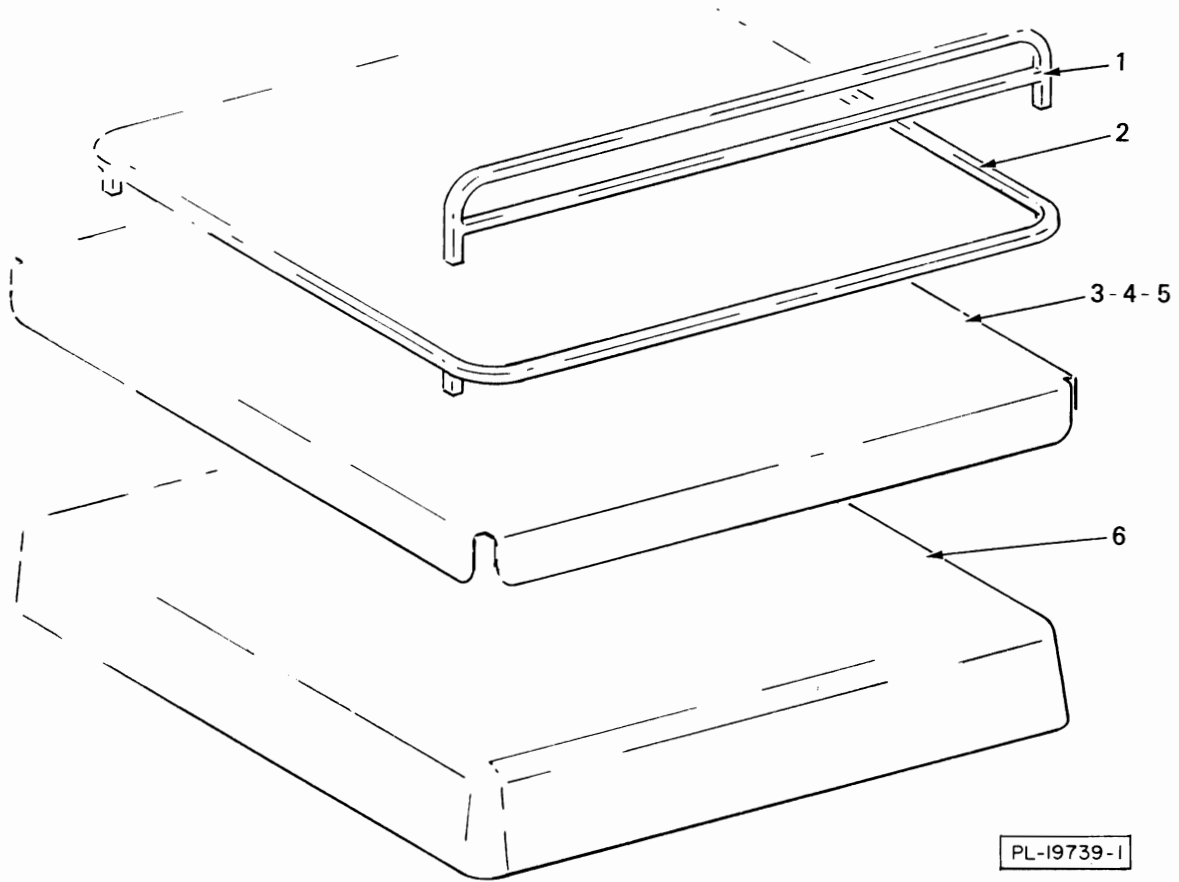


IFK-KIT 1865

**INTERFACE KITS (5018 & 5018V)**

## INTERFACE KITS (5018 &amp; 5018V)

ILLUS. PL-21512	PART NO.	NAME OF PART	AMT.
<b>IFK-KIT #1</b>			
1	NS-44-1	Nut Assy 4-40 "Keps" .....	2
2	183260-1	Cable Assy .....	1
3	257721	Plate - Adapter .....	1
4	SC-113-10	Mach. Screw 4-40 X 3/8 Phil Pan Hd. ....	2
5	183261	Ribbon Cable Assy .....	1
6	259031	Interface Board Assy .....	1
7	SC-113-10	Mach. Screw 4-40 X 3/8 Phil Pan Hd. ....	2
8	183255	Bracket Mounting Assy .....	1
9	SD-24-7	Self-Tapping Screw 6-32 X 3/16 Phil Pan Hd., Type TT .....	2
10	SD-24-7	Self-Tapping Screw 6-32 X 3/16 Phil Pan Hd., Type TT .....	2
	183256	IFK - Kit #1 (Contains items 1 thru 10) .....	1
<b>IFK-KIT #2</b>			
20	257720	Plate - Adapter .....	1
21	183261	Ribbon Cable Assy .....	1
22	SC-113-10	Mach. Screw 4-40 X 3/8 Phil Pan Hd. ....	2
23	183262	Interface Board Assy .....	1
24	SD-24-7	Self-Tapping Screw 6-32 X 3/16 Phil Pan Hd., Type TT .....	2
25	183255	Bracket Mounting Assy .....	1
26	SD-24-7	Self-Tapping Screw 6-32 X 3/16 Phil Pan Hd., Type TT .....	2
	258692-1	Interface Harness (Interface Board to On/Off-Zero Switch)(Not Shown) .....	1
	183257	IFK - Kit #2 (Contains items 20 thru 27) .....	1
<b>IFK-KIT #3</b>			
30	SD-24-7	Self-Tapping Screw 6-32 X 3/16 Phil Pan Hd., Type TT .....	2
31	183255	Bracket Mounting Assy .....	1
32	SC-18-51	Mach. Screw 4-40 X 5/8 Pan Hd. ....	2
33	259558	Interface Board Assy .....	1
34	183261	Ribbon Cable Assy .....	1
	183258	IFK - Kit #3 (Contains items 30 thru 34) .....	1
<b>IFK-KIT #1865</b>			
40	SD-24-7	Self-Tapping Screw 6-32 X 3/16 Phil Pan Hd., Type TT .....	2
41	257722	Plate - Adapter .....	1
42	257128	Special Screwlock Assy (Female) .....	2
43	183334-1	Cable Assy .....	1
	183272	IFK - Kit #1865 (Contains items 40 thru 43) .....	1
<b>IFK-KIT #4/IFK-Kit #5</b>			
50	182313	Cable Assy (Use with IFK-Kit #4) .....	1
51	182310	Cable Assy (Use with IFK-Kit #5) .....	1
52	259665	Plate - Adapter .....	1
53	259403	Bracket Mounting Assy .....	1
54	182554	Interface Board Assy (Use with IFK-Kit #4) .....	1
55	182196	Interface Board Assy (Use with IFK-Kit #5) .....	1
56	251993	Block - P.C. Board .....	1
57	259398-1	Interface Board Assy .....	1
58	183261	Ribbon Cable Assy .....	1
	259607	IFK - Kit #4 (Contains items 50, 52, 53, 54, 56, 57 & 58) .....	1
	259681	IFK - Kit #5 (Contains items 51, 52, 53, 55, 56, 57 & 58) .....	1



**PLATTER UNIT**

ILLUS. PL-19739-1	PART NO.	NAME OF PART	AMT.
1	182307	Rail Kit Assy .....	1
2	182305	Ring Kit Assy .....	1
3	257491	Platter (In well) 13.75 X 11.75 .....	1
4	257492	Platter (In well) 16.5 X 12 .....	1
5	257493	Platter (In well) 15.5 X 12 .....	1
6	257490	Platter Assy (Above Well) (Packaged) .....	1
	183358	Kit - Fish Pan & Arms .....	1