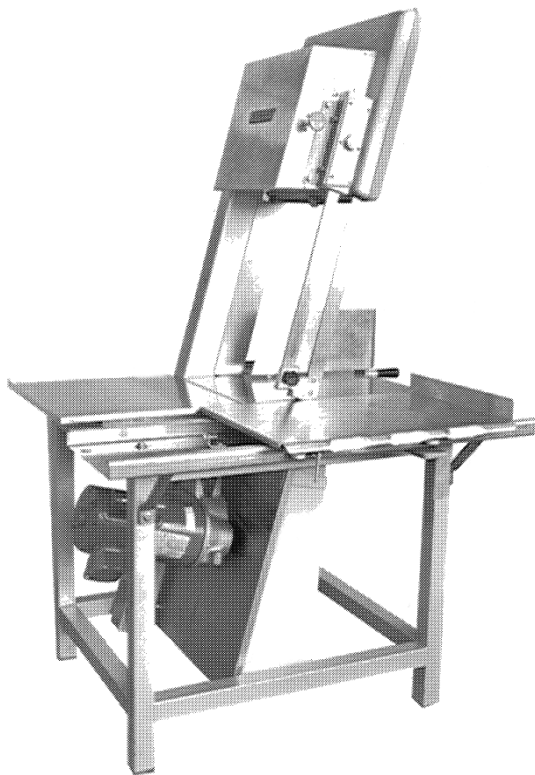




CATALOG OF REPLACEMENT PARTS

5700 & 5701 Series Meat Saws



MODEL 5700 SHOWN

5700

ML-32386 (Painted)

5700D

ML-32389 (SST)

5701

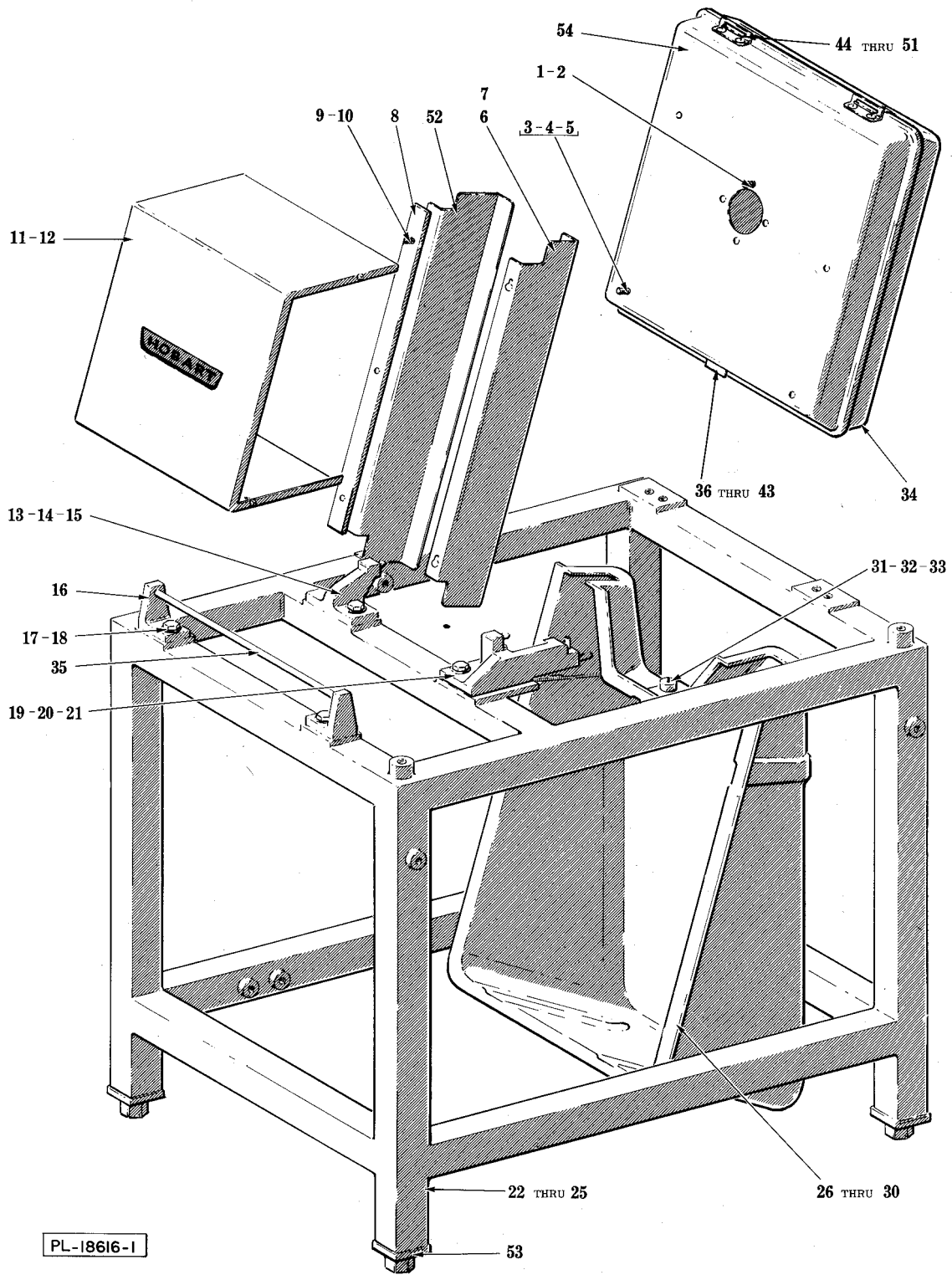
ML-32392 (Painted)

5701D

ML-32395 (SST)

Table of Contents

5	FRAME AND COVER
7	DRIVE AND TENSION ADJUSTMENT UNIT
9	LOWER PULLEY UNIT
11	UPPER BEARING CARRIER UNIT
13	TABLES AND CARRIAGE UNIT
15	UPPER GUIDE UNIT
17	LOWER WIPER UNIT
19	ELECTRICAL UNIT
23	GAUGE PLATE UNIT

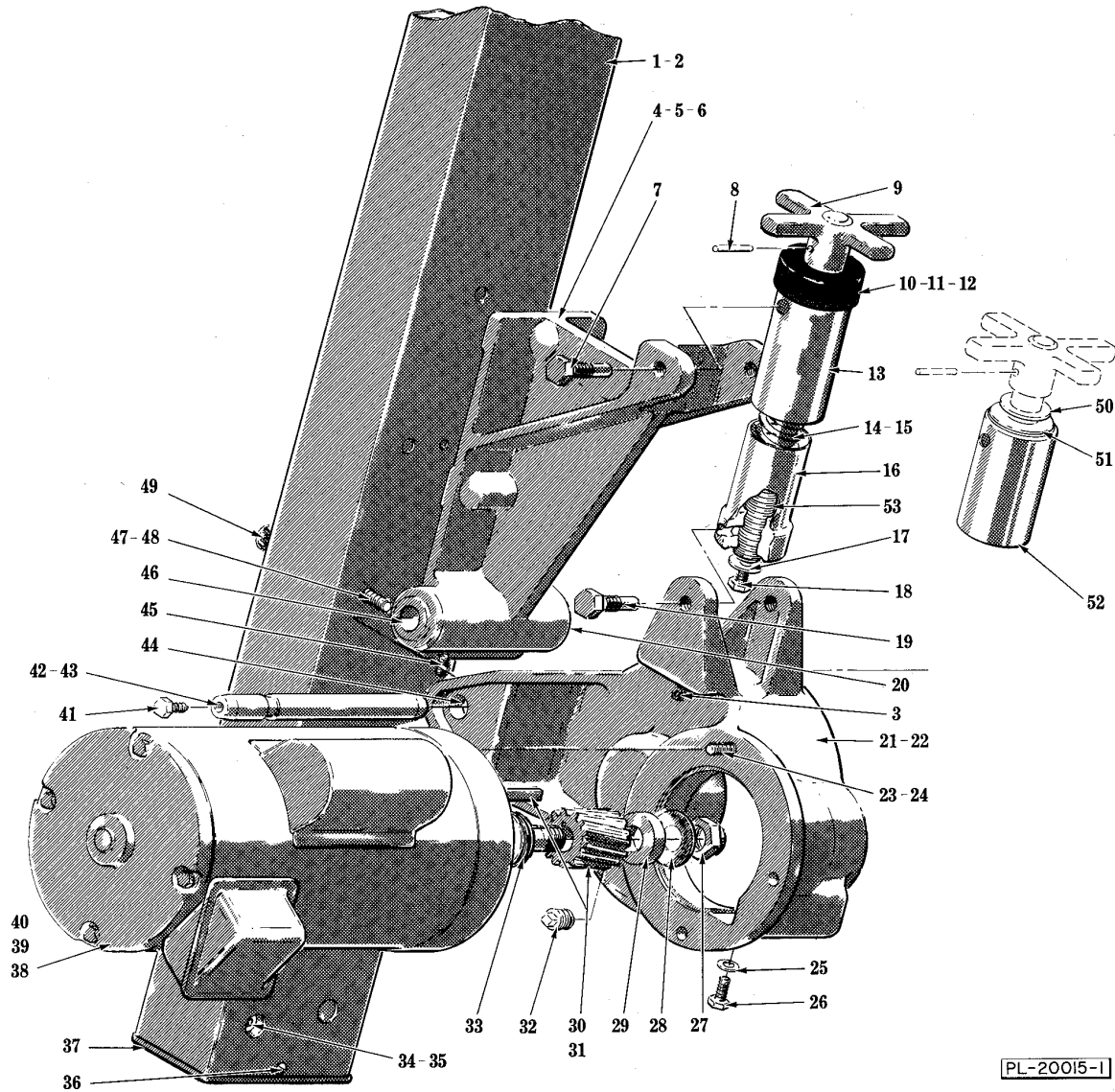


FRAME AND COVER

FRAME AND COVER

ILLUS.	PART NO.	NAME OF PART	AMT.
PL-18616-1			
1	SC-53-15	Mach. Screw 5/16-18 x 1/2 Truss Hd.....	4
2	WS-17-21	Washer.....	4
3	SC-41-50	Cap Screw 1/4-20 x 1/2 Hex Hd.....	4
4	WS-3-47	Washer.....	4
5	291763-2	Washer - Rubber.....	3
6	291556	Guard - Removable.....	1
7	290856	Anchor - Column Guard.....	2
8	291554	Spacer - Column Guard.....	1
9	SC-93-7	Mach. Screw 10-32 x 1/2 Pan Hd.....	3
10	WL-6-7	Lock Washer 10 Medium.....	3
11	291532	Cover- & Logo Assy.....	1
12	SC-21-14	Mach. Screw 8-32 x 3/8 Rd. Hd.....	4
13	290752	Table Locator Assy.....	1
14	SC-41-31	Cap Screw 3/8-16 x 1 1/4 Hex Hd.....	2
15	WS-18-40	Washer.....	2
16	290751	Support - Left Table.....	2
17	SC-41-31	Cap Screw 3/8-16 x 1 1/4 Hex Hd.....	2
18	WS-18-40	Washer.....	2
19	291653	Lower Guide Support Assy.....	1
20	SC-41-31	Cap Screw 3/8-16 x 1 1/4 Hex Hd.....	2
21	WS-18-40	Washer.....	2
22	290731-1	Frame Assy. (5700 Painted) (Incls. item 53).....	1
23	290731-2	Frame Assy. (5700D SST) (Incls. item 53).....	1
24	290886-1	Frame Assy. (5701 Painted) (Incls. item 53).....	1
25	290886-2	NLA - Obsolete--Frame Assy. (5701D SST) (Incls. item 53).....	1
*26	290859	Lower Cover with Molded Handle (5700).....	1
*27	291447	Lower Cover with Molded Handle (5701).....	1
*28	128090	Handle - Lower Cover.....	1
*29	SC-21-22	Mach. Screw 10-24 x 3/8 Rd. Hd.....	2
*30	WS-23-44	Washer.....	2
31	290860	Anchor - Lower Cover.....	1
32	SC-41-5	Cap Screw 1/4-20 x 5/8 Hex Hd.....	1
33	WS-3-47	Washer.....	1
34	290861	Upper Cover Assy. (Incls. items 37 thru 41, 43, 45 thru 48,50 & 51).....	1
35	290758-1	Rod - Anchor (Left Table).....	1
36	291501	Clip - Upper Retainer (Baffle Assy.).....	1
37	291502	Clip - Upper Latch (Cover Assy.).....	1
38	SC-98-4	Mach. Screw 6-32 x 5/8 Rd. hd.....	4
39	WS-28-3	Washer.....	4
40	NS-46-33	Acorn Nut 6-32 Hex.....	4
41	291759	Pad - Clip (Cover Assy.).....	1
42	291760	Pad - Clip (Baffle Assy.).....	1
43	291763-1	Washer - Rubber.....	4
44	292314	Hinge - Upper Retainer (Baffle Assy.).....	2
45	291503	Hinge - Upper Latch (Cover Assy.).....	2
46	SC-98-4	Mach. Screw 6-32 x 5/8 Rd. hd.....	8
47	WS-28-3	Washer.....	8
48	NS-46-33	Acorn Nut 6-32 Hex.....	8
49	291761	Pad - Hinge (Baffle Assy.).....	2
50	291762	Pad - Latch (Cover Assy.).....	2
51	291763-1	Washer Rubber.....	8
52	291555	NLA - Obsolete--Guard Column.....	1
53	290748	Foot (Std.).....	4
54	291531	Upper Baffle Assy. (Incls. items 36, 38, 39, 40, 42, 43, 44, 46, 47, 48, 49 & 51).....	1

* New style lower covers have a molded handle. When replacing lower cover assembly do not order a handle.



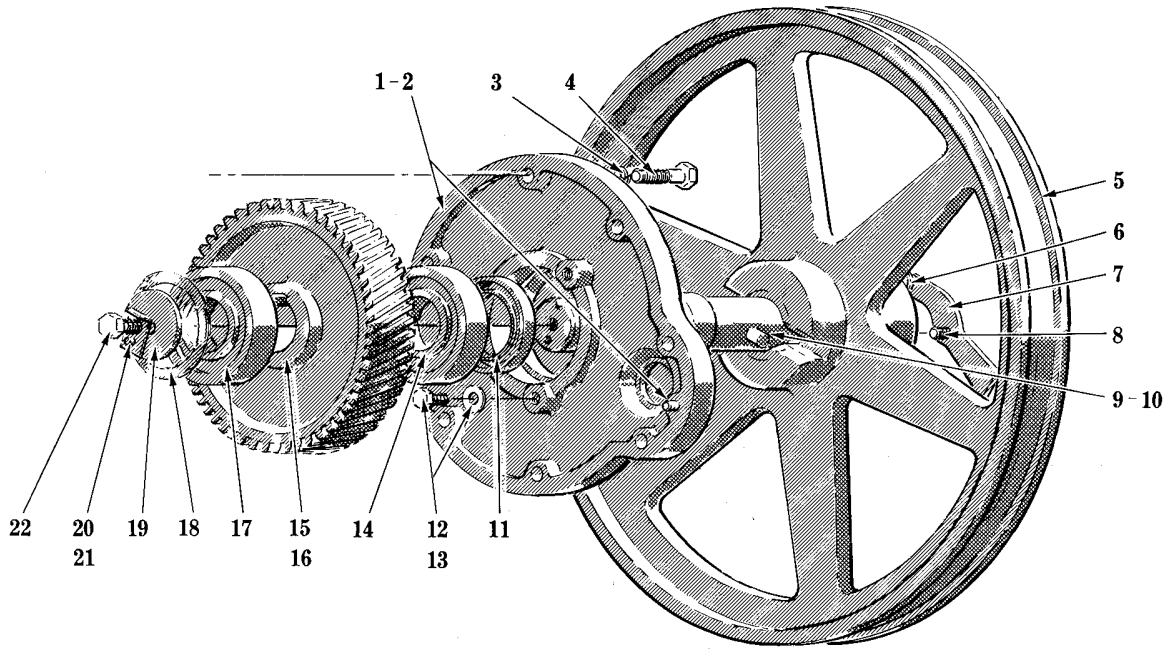
PL-20015-1

DRIVE AND TENSION ADJUSTMENT UNIT

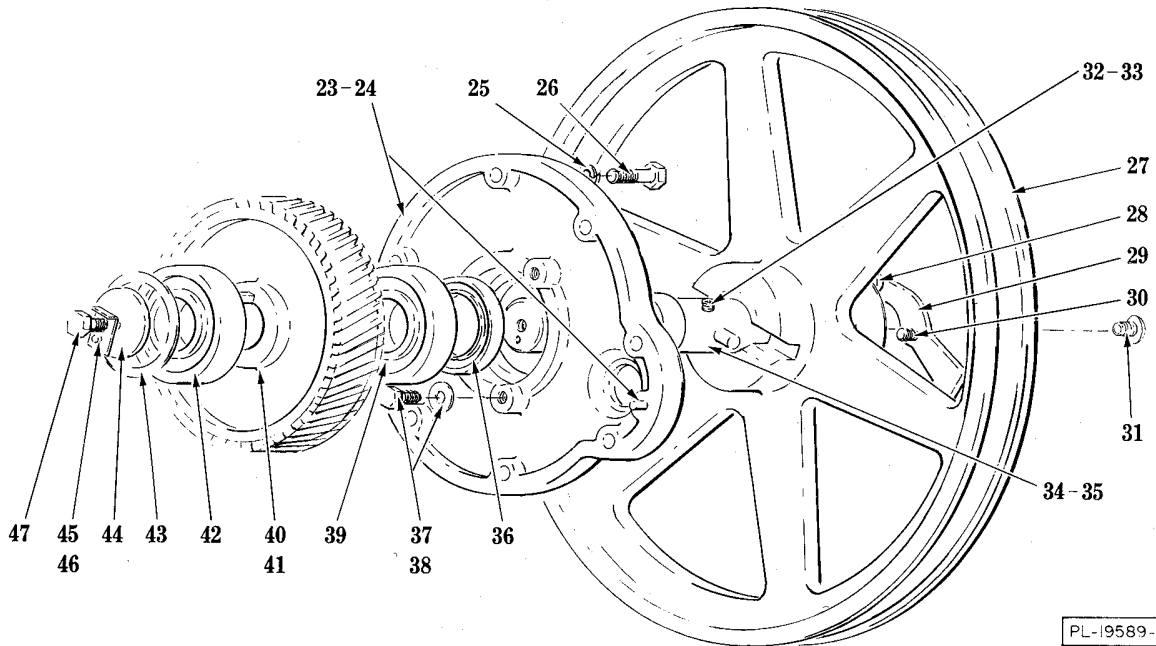
DRIVE AND TENSION ADJUSTMENT UNIT

ILLUS.	PART NO.	NAME OF PART	AMT.
	PL-20015-1		
1	291533	Column & Label Assy. (5700).....	1
2	291534	Column & Label Assy. (5701).....	1
3	120971	Plug - Vent.....	1
5	292286	Transmission Support Assy. (Incls. item 6) (5/8 Dia. Pin).....	1
6	11800-118	Dowel.....	1
7	290832	Pivot - Tension Adjusting.....	2
8	RP-3-16	Roll Pin 3/16 X 1 Lg.....	1
9	292361	Knob - Tension Adjust.....	1
10	WS-29-37	Washer.....	2
11	BN-5-6	Needle Bearing - Torrington NTA-1018.....	1
12	292796	Bellows.....	1
13	290825	Bushing & Tube Assy.....	1
14	291594	Spring - Compression.....	1
15	291662	Washer - Slot.....	1
16	292358	Nut & Tube Assy.....	1
17	WS-3-47	Washer.....	1
18	SC-41-50	Cap Screw 1/4-20 x 1/2 Hex Hd.....	1
19	290832	Pivot - Tension Adjusting.....	2
20	291859-1	Bushing 1/2 Lg. (Use in Transmission Support with 3/4 Bore & 5/8 Dia. Pin).....	1
22	291798	Gear Case Assy. (Incls. items 3 & 44) (5/8 Dia. Pin).....	1
23	SC-41-31	Cap Screw 3/8-16 x 1 1/4 Hex Hd.....	3
24	WL-19-9	Lock Washer 3/8 Extra Heavy.....	3
25	WS-21-20	Washer.....	1
26	SC-36-93	Cap Screw 7/16-20 x 3/4 Hex Hd.....	1
27	NS-46-29	Stop Nut 3/4-16 Flexloc.....	1
28	SL-5-2	Washer - Belleville.....	1
29	290866	Washer - Damper.....	1
30	290816	Pinion - Drive (14T).....	1
31	109070-8	Key.....	1
32	FP-28-8	Pipe Plug 3/8 Sq. Hd.....	1
33	SL-5-2	Washer - Belleville.....	6
34	SC-40-21	Cap Screw 3/8-16 x 7/8 Soc. Hd.....	4
35	WL-4-6	Lock Washer 3/8 Medium.....	4
36	SC-21-23	Mach. Screw 10-24 x 1/2 Rd. Hd.....	2
37	290813	Cover - Column.....	1
38	291796-1	Motor 60 Hz. 3 Ph.....	1
39	291796-2	Motor 50 Hz. 3 Ph.....	1
40	291796-3	Motor 60 Hz. 1 Ph.....	1
41	SC-41-55	Cap Screw 5/16-18 x 3/4 Hex Hd.....	1
43	291860	Pin Transmission (5/6 Dia.).....	1
44	291859-1	Bushing 1/2 Lg.....	2
45	SC-47-72	Set Screw 1/4-20 x 3/8 Soc. Hdls., Cup Pt.....	1
46	291859-2	Bushing 3/8 Lg. (Use in Transmission Support with 3/4 Dia. Bore & 5/8 Dia. Pin).....	1
47	SC-40-21	Cap Screw 3/8-16 x 7/8 Soc. Hd.....	5
48	WS-18-4	Washer.....	5
49	PB-2-26	Plug Button.....	8
50	WS-009-33	Washer (SST).....	1
51	292356	Washer - Thrust.....	1
52	290825	Bushing & Tube Assy.....	1
53	292668	Tension Shaft Assy.....	1
*	290820-5	Motor & Pinion Assy. (60 Hz. 3 Ph.) (Incls. items 27 thru 31, 33 & 38).....	1
	290820-6	Motor & Pinion Assy. (50 Hz. 3 Ph.) (Incls. items 27 thru 31, 33 & 39).....	1
	290820-7	Motor & Pinion Assy. (60 Hz. 1 Ph.) (Incls. items 27 thru 31, 33 & 40).....	1
	292363	Tension Assy. (Incls. items 8 thru 18 & 53).....	1

* Obsolete Order [00-437301-00001](#) Motor Assy



LOWER PULLEY WITH PRESS FIT DRIVE PIN



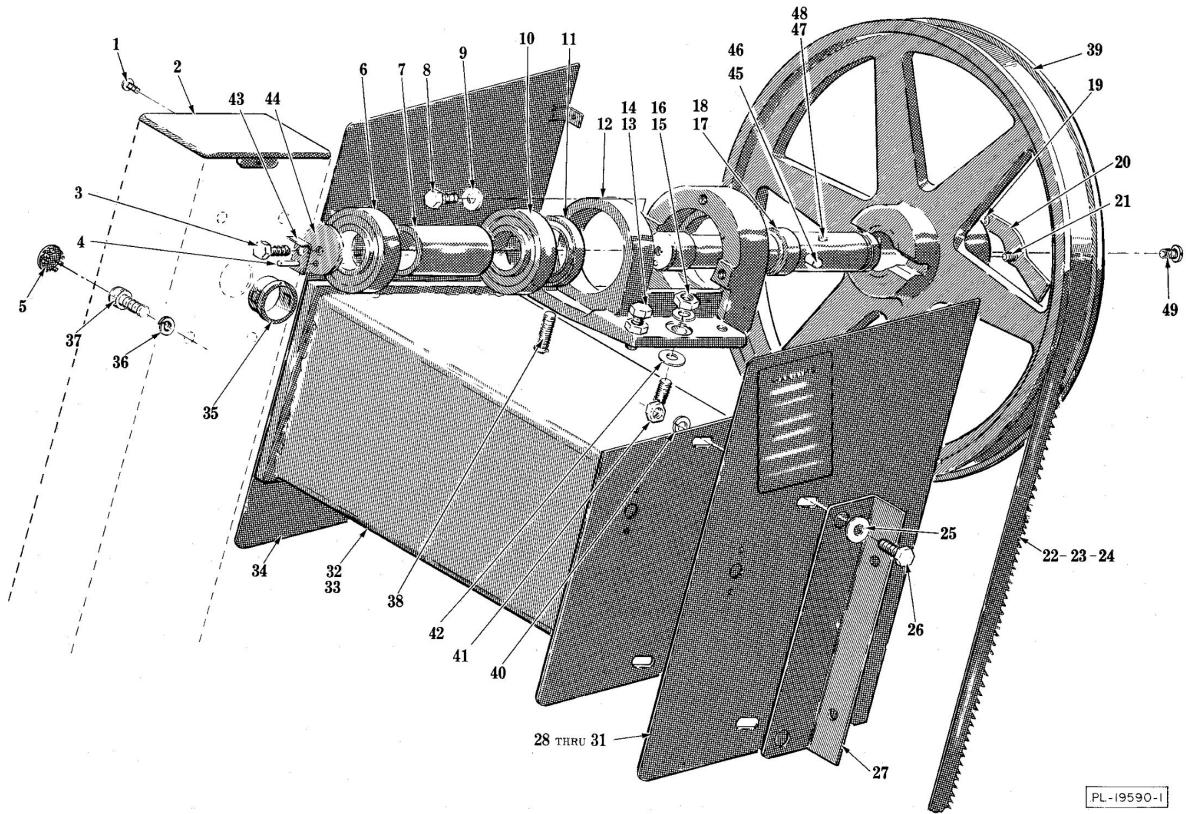
LOWER PULLEY WITH SET SCREW LOCKED DRIVE PIN

LOWER PULLEY UNIT

LOWER PULLEY UNIT

ILLUS.	PART NO.	NAME OF PART	AMT.
PL-19589-1			
1	290817	Gear Case Cover Assy. (Incls. item 2).....	1
2	11800-91	Dowel.....	2
3	WL-6-22	Lock Washer 5/16 Light.....	7
4	SC-41-15	Cap Screw 5/16-18 x 1 1/4 Hex Hd.....	7
5	ML-109653-0000Z	Pulley and Latch Assy. (Incls. Items 8, 9, & 10) (Model 6801 ML-134094) Pulley & Latch Assy. (Incls. items 6, 7 & 8).....	1
6	79686	Catch - Friction.....	1
7	292213	Latch.....	1
8	20851	Screw - Latch.....	1
*9		Shaft Lower (w/press fit Drive Pin).....	AR
10	110551	Groov Pin - Special.....	1
11	290805	Seal - Shaft.....	1
12	SC-36-24	Cap Screw 5/16-18 x 5/8 Hex Hd.....	3
13	WS-4-25	Washer.....	3
14	BB-8-14	Ball Bearing ND 77207.....	1
15	290815	Gear - Drive (58T) (Use on Shaft with Press Fit Drive Pin).....	1
16	109070-9	Key.....	1
17	BB-8-14	Ball Bearing ND 77207.....	1
18	SL-3-11	Loading Spring ND72.....	2
19	291973	Retainer - Shaft.....	1
20	291624	Retainer - Lock.....	1
21	RP-3-18	Roll Pin 1/8 x 7/8 Lg.....	1
22	SC-41-12	Cap Screw 5/16-18 x 7/8 Hex Hd.....	1
23	290817	Gear Case Cover Assy. (Incls. item 24).....	1
24	11800-91	Dowel.....	2
25	WL-6-22	Lock Washer 5/16 Light.....	7
26	SC-41-15	Cap Screw 5/16-18 X 1 1/4 Hex Hd.....	7
27	ML-109653-0000Z	Pulley and Latch Assy. (Incls. Items 8, 9, & 10) (Model 6801 ML-134094) Pulley & Latch Assy. (Incls. items 28, 29 & 30).....	1
28	79686	Catch - Friction.....	1
29	292213	Latch.....	1
30	20851	Screw - Latch.....	1
31	SD-5-49	Drive Screw #12K 1/2 Rd. Hd.....	1
32	SC-117-59	Set Screw 1/4-20 x 1/8 Soc. Hdls. Flat Pt.....	1
33	SC-55-2	Set Screw 1/4-20 x 1/4 Soc. Hdls., Cup Pt.....	1
34	00-968027	Shaft - Lower.....	1
35	292273	Pin - Drive.....	1
36	290805	Seal - Drive.....	1
37	SC-36-24	Cap Screw 5/16-18 x 5/8 Hex Hd.....	3
38	WS-4-25	Washer.....	3
39	BB-8-14	Ball Bearing ND 77207.....	1
40	292276	Gear - Drive (58T) (Use on Shaft with Set Screw Locked Pulley Drive Pin).....	1
41	109070-9	Key.....	1
42	BB-8-14	Ball Bearing ND 77207.....	1
43	SL-3-11	Loading Spring ND 72.....	2
44	291973	Retainer - Shaft.....	1
45	291624	Retainer - Lock.....	1
46	RP-3-18	Roll Pin 1/8 x 7/8 Lg.....	1
47	SC-41-12	Cap Screw 5/16-18 x 7/8 Hex Hd.....	1

* Discontinued, order items 31 thru 35, 39 thru 42 and 44 thru 47

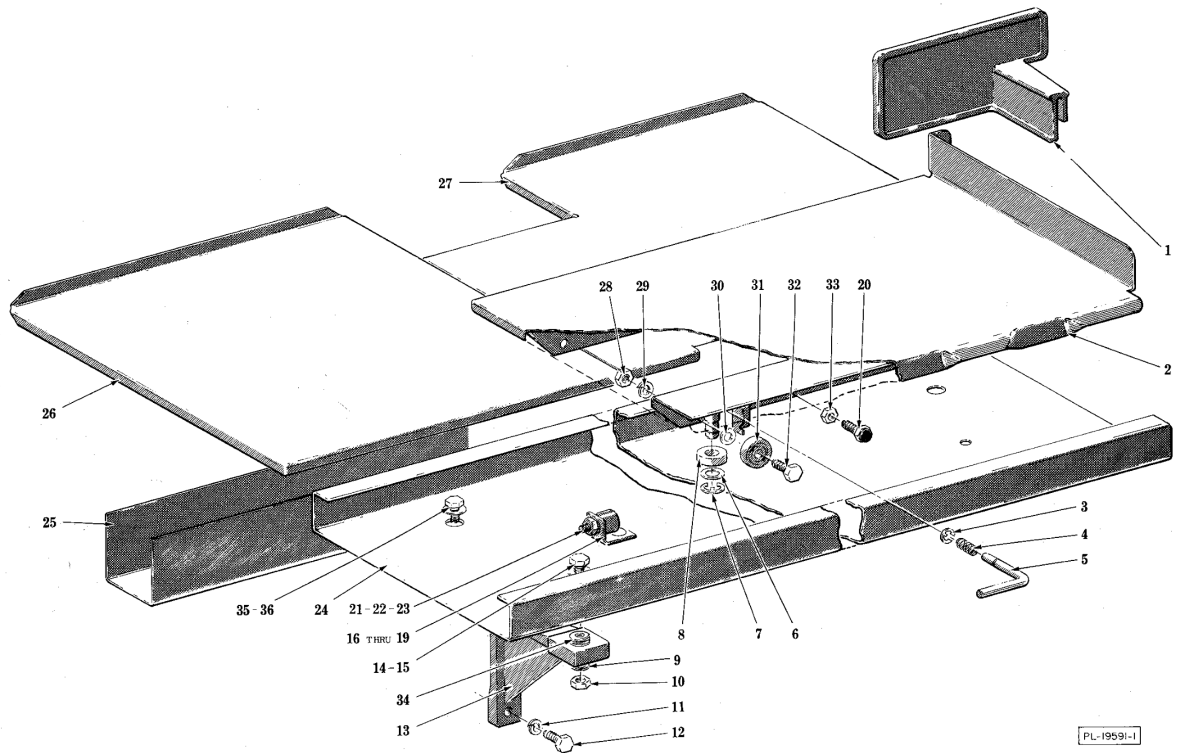


UPPER BEARING CARRIER UNIT

UPPER BEARING CARRIER UNIT

ILLUS.	PART NO.	NAME OF PART	AMT.
PL-19590-1			
1	SC-21-23	Mach. Screw 10-24 x 1/2 Rd. Hd.....	1
2	290813	Cover - Column.....	1
3	SC-41-12	Cap Screw 5/16-18 X 7/8 Hex Hd.....	1
4	RP-3-18	Roll Pin 1/8 x 7/8 Lg.....	1
5	PB-2-26	Plug Button.....	4
6	BB-8-14	Ball Bearing ND 77207.....	1
7	290806	Spacer - Bearing.....	1
8	SC-41-9	Cap Screw 5/16-18 x 1/2 Hex Hd.....	2
9	WS-17-1	Washer.....	2
10	BB-8-14	Ball Bearing ND 77207.....	1
11	290805	Seal - Shaft.....	1
12	291440	Housing - Bearing.....	1
13	SC-113-35	Cap Screw 5/16-18 x 1 3/4 Hex Hd.....	2
14	NS-17-8	Jam Nut 5/16-18 Hex Fin.....	2
15	NS-13-25	Full Nut 3/8-16 Hex Fin.....	2
16	WL-4-6	Lock Washer 3/8 Medium.....	2
18	292274	Shaft - Upper (With Set Screw Locked Pulley Drive Pin).....	1
19	79686	Catch - Friction.....	1
20	292213	Latch.....	1
21	20851	Screw - Latch.....	1
22	00-477016-00142	Blade - Saw (5/8 In. Wd. x 0.022 Thk.) (4T) (Model 6801 ML-134094).....	1
23	00-477011-00142	Blade - Saw (5/8 In. Wd. x 0.022 Thk.) (3T) (Model 6801 ML-134094).....	1
24	00-477021-00142	Blade - Meat Saw (.014") (3T).....	1
25	WS-6-44	Washer.....	2
26	SC-41-28	Cap Screw 3/8-16 x 3/4 Hex Hd.....	2
27	290848	Angle - Upper Guide.....	1
28	291535	NLA - Obsolete--Front Trim Plate & Label Assy.(60 Hz.) (5700).....	1
29	291536	Front Trim Plate & Label Assy.(60 Hz.) (5701).....	1
*30	291560-2	Plate - Front Trims (5700).....	1
*31	291560-1	NLA - Obsolete--Plate - Front Trims (5701).....	1
32	292661	Column Box Assy. (60 Hz.).....	1
*33	292660	Column Box Assy.....	1
34	291570	Trim Plate Assy.....	1
35	FE-16-2	Bushing - Snap.....	1
36	WL-4-6	Lock Washer 3/8 Medium.....	4
37	SC-40-21	Cap Screw 3/8-16 x 7/8 Soc. Hd.....	4
38	292663	Bearing Support Plate Assy.....	1
39	ML-109653-0000Z	Pulley and Latch Assy. (Incls. Items 8, 9, & 10) (Model 6801 ML-134094).....	1
40	WL-6-27	Lock Washer 3/8 Light.....	2
41	NS-18-14	Jam Nut 3/8-16 Hex Fin.....	2
42	WS-18-4	Washer.....	2
43	291624	Retainer - Lock.....	1
44	291973	Retainer - Shaft.....	1
45	110551	Groove Pin (Use with item 17).....	1
46	292273	Pin - Drive (Use with item 18).....	1
47	SC-52-2	Set Screw 1/4-20 x 1/4 Soc. Hdls., Cup Pt (Use with item 18).....	1
48	SC-117-59	Set Screw 1/4-20 x 1/8 Hex Hdls., Flat Pt.....	1
49	SD-5-49	Drive Screw 12 x 1/2 Rd. Hd.....	1
	292275	Bearing Carrier Assy. (Incls. items 3, 4, 6 thru 12, 18, 43, 44, 46, 47, 48 & 49).....	1

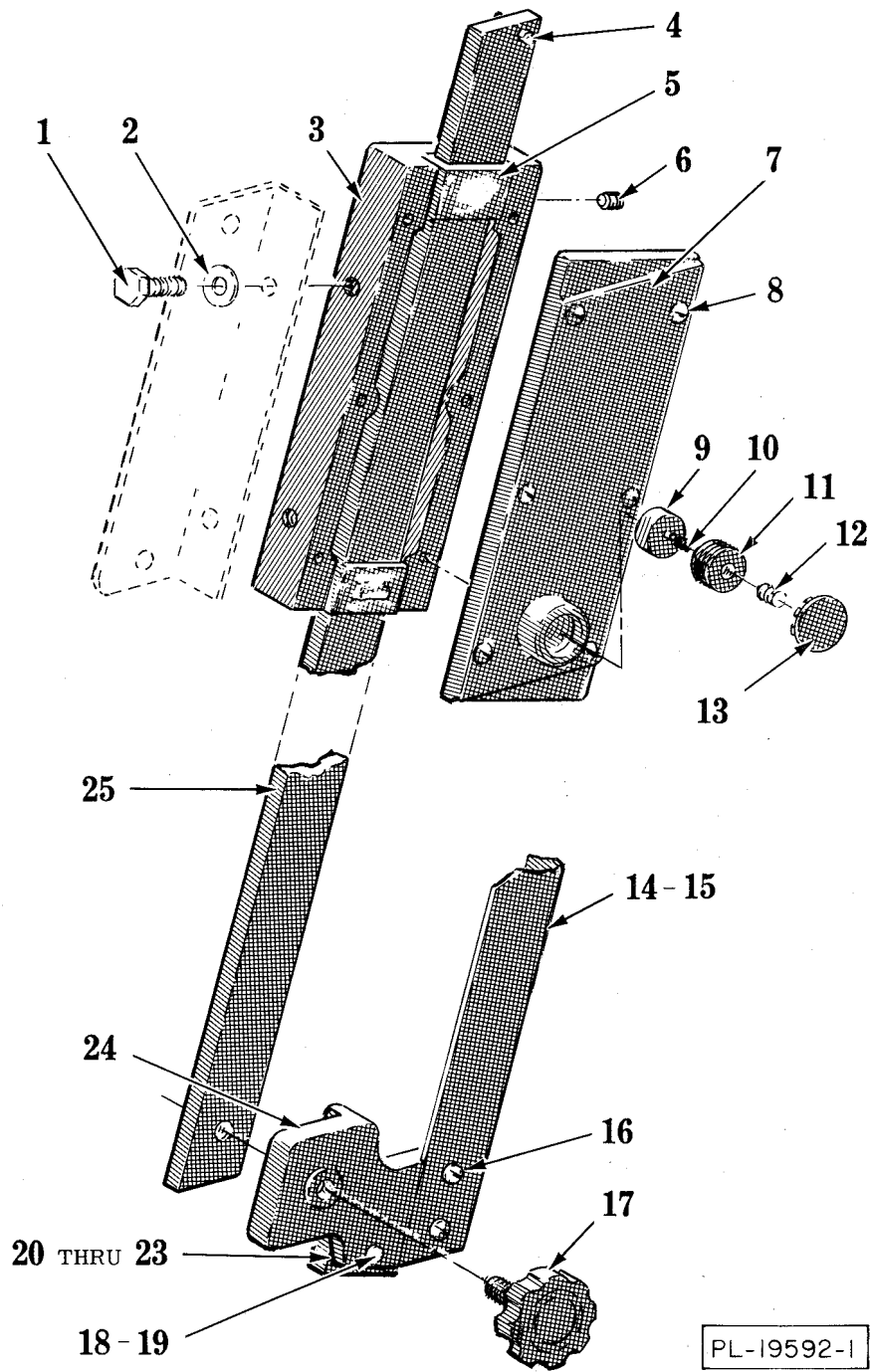
* Use with 50 Hz.



TABLES AND CARRIAGE UNIT

TABLES AND CARRIAGE UNIT

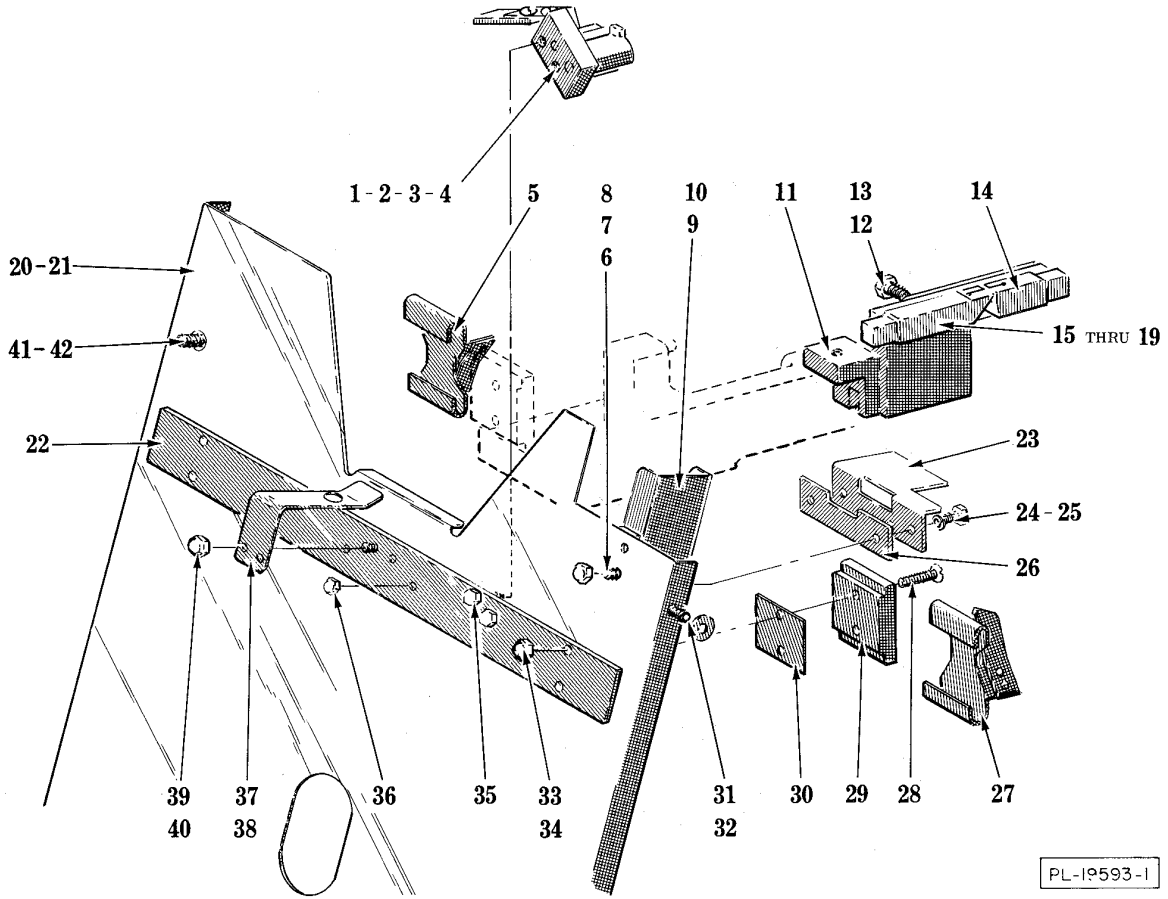
ILLUS. PL-19591-1	PART NO.	NAME OF PART	AMT.
1	291435	Pusher Plate.....	1
2	290779	Carriage Assy.....	1
3	RR-11-9	Retaining Ring.....	1
4	290787	Spring - Carriage Lock.....	1
5	290795	Lever - Carriage Lock.....	1
6	WS-024-06	Washer (SST).....	2
7	RR-10-12	Retaining Ring.....	2
8	290789	Roller - Carriage.....	2
9	WL-6-27	Lock Washer 3/8 Light.....	2
10	NS-18-14	Jam Nut 3/8-16 Hex Fin.....	2
11	WL-6-27	Lock Washer 3/8 Light.....	2
12	SC-41-31	Cap Screw 3/8-16 x 1 1/4 Hex Hd.....	2
13	291958-2	Brace - Carriage Support.....	2
14	SC-41-34	Cap Screw 3/8-16 x 2 Hex Hd.....	4
15	WS-18-40	Washer.....	2
16	119827	Stop - Carriage.....	2
17	SC-94-20	Carriage Bolt 5/16-18 X 1.....	2
18	70087	Washer - Spring.....	2
19	NS-31-29	Stop Nut 5/16-18 "Elastic".....	2
20	291675	Plug & Holder Assy.....	1
21	18682-2	Bumper - Carriage Stop.....	2
22	WS-17-21	Washer.....	2
23	NS-15-11	Full Nut 5/16-18 Hex Fin.....	2
24	291558	Support - Carriage.....	1
25	290790	Tray - Scrap.....	1
26	290771	Left Table Assy.....	1
27	291654	Right Table Assy.....	1
28	NS-18-14	Jam Nut 3/8-16 Hex Fin.....	4
29	WL-6-27	Lock Washer 3/8 Light.....	4
30	WS-18-30	Washer.....	4
31	BB-8-11	Ball Bearing Nice #SK-T 2198.....	4
32	SC-41-31	Cap Screw 3/8-16 x 1 1/4 Hex Hd.....	4
33	NS-15-11	Full Nut 5/16-18 Hex Fin.....	2
34	292284	Screw - Jack.....	2
35	SC-41-28	Cap Screw 3/8-16 x 3/4 Hex Hd.....	2
36	WS-18-40	Washer.....	2
	290778	Carriage Unit Assy. (Incls. ONLY items 3 thru 8, 20 & 28 thru 33, and 37).....	1
	291092	Bumper Stop Assy. (Incls. items 16, 21, 22 & 23).....	2



UPPER GUIDE UNIT

UPPER GUIDE UNIT

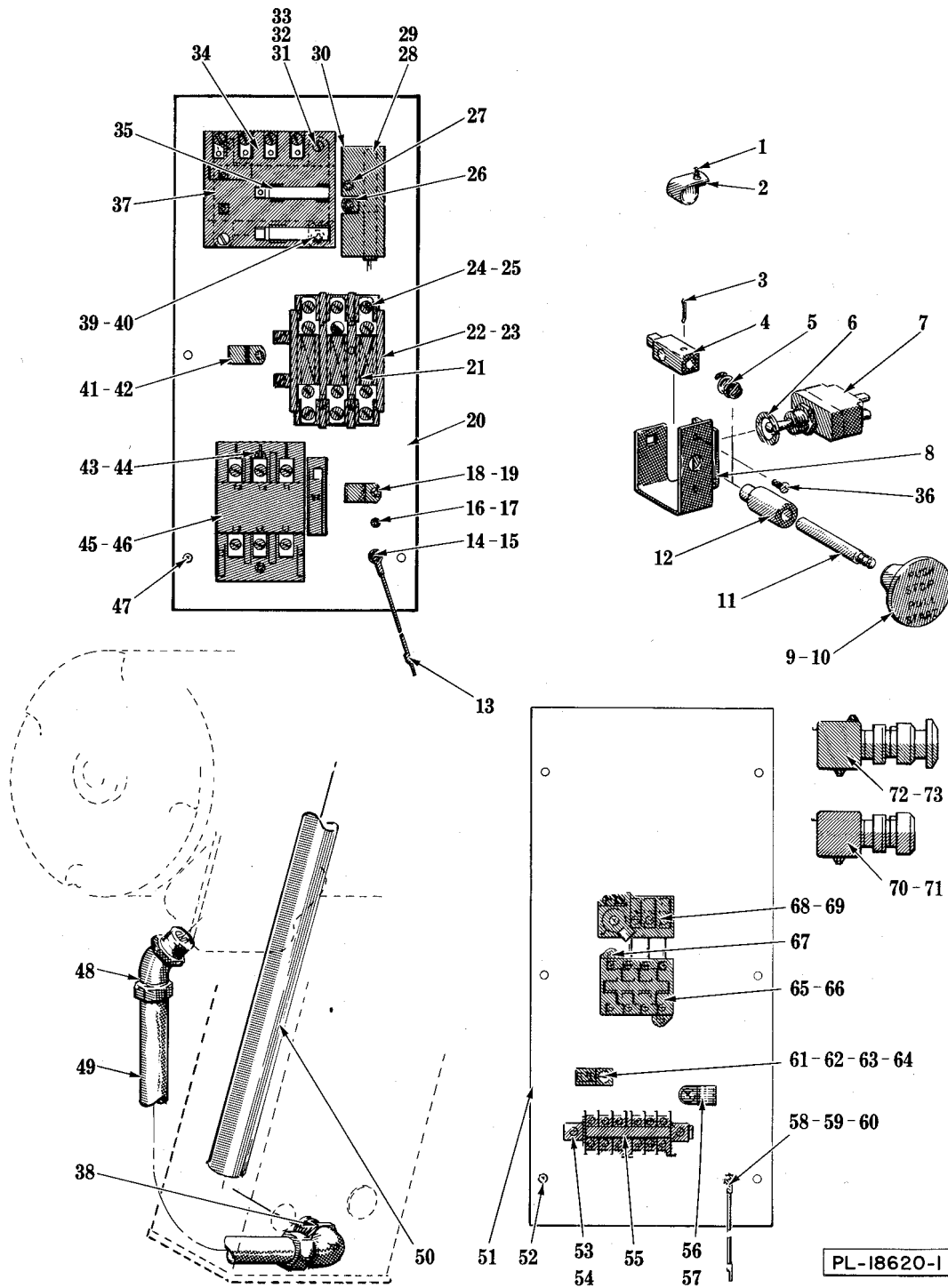
ILLUS.	PART NO.	NAME OF PART	AMT.
PL-19592-1			
1	SC-41-28	Cap Screw 3/8-16 x 3/4 Hex Hd.....	2
2	WS-6-44	Washer.....	2
3	290846	Support - Guide Bar.....	1
4	PG-7-16	Groove Pin 3/16 Dia. x 3/4 Lg.....	1
5	290850	Insert - Guide Bar.....	4
6	SC-116-87	Set Screw 1/4-20 x 1/4 Soc. Hdls., Cup Pt.....	2
7	290845	Retainer - Guide Bar.....	1
8	SC-21-25	Mach. Screw 10-24 x 3/4 Rd. Hd.....	6
9	120141	Shoe - Slide Rod.....	1
10	75866	Spring Slide Rod.....	1
11	290849	Screw Carrier.....	1
12	SC-63-33	Set Screw 3/8-16 x 3/8 Hdls., Flat Pt.....	1
13	PB-2-26	Plug Button.....	1
14	290840	Guard Front Blade (5700).....	1
15	291441	Guard Front Blade (5701).....	1
16	SC-53-5	Mach. Screw 10-24 x 3/8 Truss Hd.....	2
17	00-435958-00002	Knob - Adjusting.....	1
18	SC-41-2	Cap Screw 1/4-20 x 1 Hex Hd.(Lower Guide).....	1
19	291579	Washer - Guide.....	1
20	290844-1	Guide - Saw Blade (.022" Blade).....	1
21	290844-2	Guide - Saw Blade (.014" Blade).....	1
22	290844-3	Guide - Saw Blade (.038" Blade).....	1
23	290844-4	Guide - Saw Blade (.020" Blade).....	1
24	290842	Holder - Upper Guide.....	1
25	291575	Upper Guide Support Bar Assy. (Incls. item 4).....	1
	290843	Upper Guide Assy. (5700) (Incls. items 14, 16 & 24).....	1
	291442	Upper Guide Assy. (5701) (Incls. items 15, 16 & 24).....	1



LOWER WIPER UNIT

LOWER WIPER UNIT

ILLUS.	PART NO.	NAME OF PART	AMT.
	PL-19593-1		
1	291831	Block - Pulley Wiper (5701).....	1
2	102399	Pulley Wiper Assy. (Incls. items 3 & 4) (5701).....	1
3	123886	Wiper - Pulley (5701).....	1
4	SC-53-1	Mach. Screw 10-24 x 1/4 Truss Hd. (5701).....	1
5	290798	Blade Wiper Assy.....	1
6	SC-41-50	Cap Screw 1/4-20 x 1/2 Hex Hd (5701).....	2
7	WL-6-17	Lock Washer 1/4 Medium (5701).....	2
8	NS-25-4	Acorn Nut 1/4-20 (5701).....	2
9	291809	Shield - Blade Guide (5701).....	1
10	291810	Spacer - Blade Guide (5701).....	1
11	291649-2	Holder - Lower Guide.....	1
12	291656	Cover - Guide.....	1
13	SC-116-26	Cap Screw 1/4-28 x 7/8 Hex Hd.....	2
14	291658	Guide - Plastic.....	1
15	291650-1	Guide - Saw Blade (.022" Blade) (5700).....	1
16	291670-1	Guide - Saw Blade (.022" Blade) (5701).....	1
17	291670-2	Guide - Saw Blade (.014" Blade) (5701).....	1
18	291670-3	Guide - Saw Blade (.038" Blade) (5701).....	1
19	291670-4	Guide - Saw Blade (.020" Blade) (5701).....	1
20	290851-1	Baffle - Lower Pulley (5700).....	1
21	290851-2	Baffle - Lower Pulley (5701).....	1
22	290821-2	NLA - Obsolete--Bar - Reinforcement.....	1
23	292212	Support.....	1
24	SC-41-1	Mach. Screw 1/4-20 x 3/4 Hex Hd.....	2
25	WL-6-17	Lock Washer 1/4 Medium.....	2
26	292285	Spacer.....	1
27	290798	Blade Wiper Assy.....	1
28	SC-22-35	Mach. Screw 1/4-20 x 1 Flat Hd.....	4
29	290822	Support - Wiper.....	2
30	290855	Shim - Wiper Support.....	AR
31	SC-41-50	Cap Screw 1/4-20 x 1/2 Hex Hd.....	2
32	WS-22-1	Washer.....	2
33	NS-25-4	Acorn Nut 1/4-20.....	4
34	WS-3-49	Washer.....	4
35	SC-41-50	Cap Screw 1/4-20 x 1/2 Hex Hd (5701).....	1
36	NS-25-4	Acorn Nut 1/4-20.....	2
37	290788	Clip - Cover.....	1
38	SC-112-77	Mach. Screw 10-24 x 7/16 Slotted Pan Hd. (SST).....	2
39	NS-25-1	Acorn Nut 10-24.....	2
40	WL-6-6	Lock Washer 10 Light.....	2
41	SC-41-50	Cap Screw 1/4-20 x 1/2 Hex Hd.....	4
42	WS-3-47	Washer.....	2
	291652-1	Holder & Guide Assy.(5700)(Incls. items 11 thru 15).....	1
	291672-1	Holder & Guide Assy.(5701)(Incls. items 11 thru 14 & 16).....	1
	291672-2	Holder & Guide Assy.(5701)(Incls. items 11 thru 14 & 17).....	1
	291672-3	Holder & Guide Assy.(5701)(Incls. items 11 thru 14 & 18).....	1
	291672-4	Holder & Guide Assy.(5701)(Incls. items 11 thru 14 & 19).....	1



PL-18620-1

ELECTRICAL UNIT

ELECTRICAL UNIT

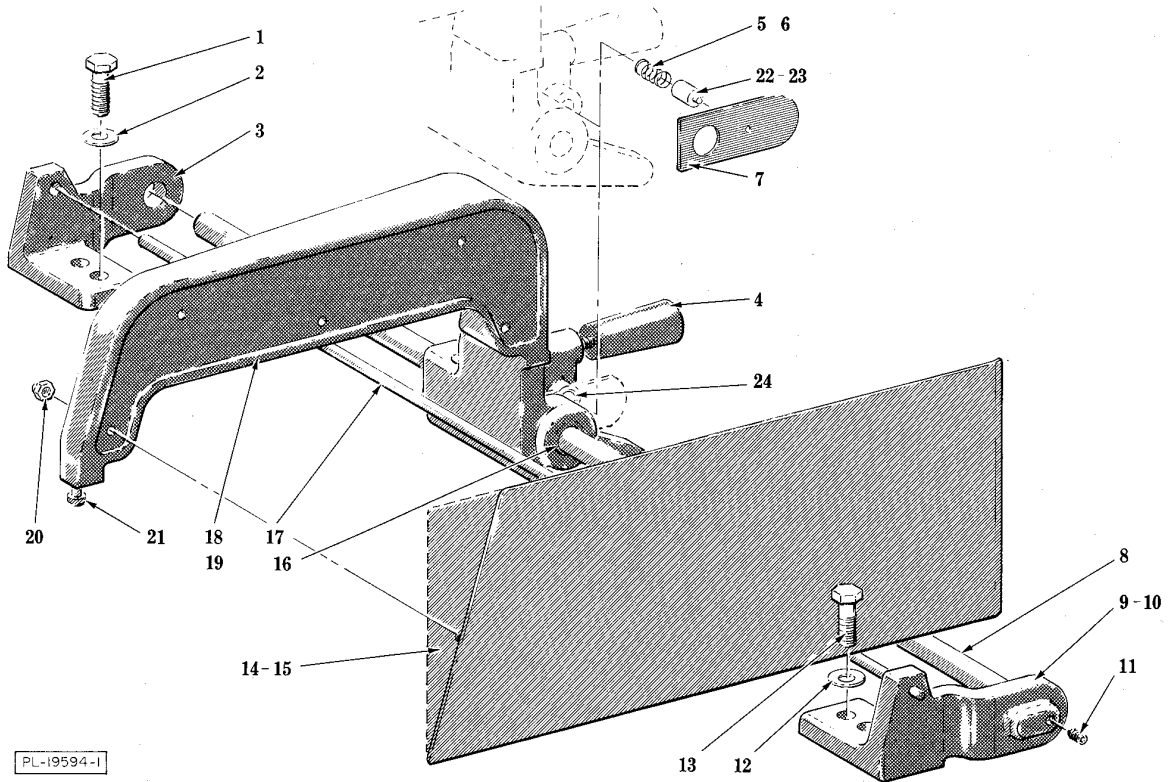
ILLUS.	PART NO.	NAME OF PART	AMT.
	PL-18620-1		
1	SC-21-14	Mach. Screw 8-32 x 3/8 Rd. Hd.....	1
2	78752-9	Clamp - Cable.....	1
3	PC-5-8	Cotter Pin 3/32 X 5/8 Lg.....	1
4	121540-2	Actuator Switch.....	1
5	121547	Spring - Compression.....	1
6	121827	Ring - Locking.....	1
7	00-875567	Switch Assy.....	1
8	123241-1	Bracket - Switch.....	1
9	291475	Label - Start/Stop.....	1
10	290885	Knob - Switch.....	1
11	290882	Shaft - Switch.....	1
12	290883	Bushing - Switch Shaft.....	1
13	290889	Cable & Eyelet Assy. (Panel to Column).....	1
14	SD-15-20	Self-Tapping Screw 10-32 x 3/8 Phil. Pan Hd., Type TT.....	1
15	WL-7-12	Lock Washer 10 Ext. Shakeproof.....	1
16	SD-15-40	Self-Tapping Screw 8-32 x 3/8 Phil. Pan Hd., Type TT.....	1
17	WL-7-7	Lock Washer 8 Ext. Shakeproof.....	1
18	78752-9	Clamp - Cable.....	1
19	SD-15-40	Self-Tapping Screw 8-32 x 3/8 Phil. Pan Hd., Type TT.....	1
20	290839	Cover - Column Box.....	1
22	88196-6-1	Relay - Thermal Overload (1 Ph.) (W/Overload Protection).....	1
23	88196-9-1	Relay - Thermal Overload (3 Ph.) (W/Overload Protection).....	1
24	SD-15-20	Self-Tapping Screw 10-32 x 3/8 Phil. Pan Hd., Type TT.....	2
25	WL-7-12	Lock Washer 10 Ext. Shakeproof.....	2
26	108199-1	Clamp - Air Heater.....	1
27	SD-15-40	Self-Tapping Screw 8-32 x 3/8 Phil. Pan Hd., Type TT.....	2
28	122345-1	Heater Assy. (460 V.).....	1
29	122345-2	Heater Assy. (200-230 V.).....	1
30	121543	Shield - Heater.....	1
31	SC-19-33	Mach. Screw 8-32 x 1/2 Bind. Hd.....	2
32	WL-7-7	Lock Washer 8 Ext. Shakeproof.....	2
33	NS-9-12	Mach. Nut 8-32 Hex.....	2
34	114707	Terminal & Mounting Board Assy. (460 V.).....	1
35	FE-19-48	Fuse (.8 Amp., 600 V.).....	2
36	SC-10-36	Mach. Screw 10-24 x 5/8 Truss Hd.....	2
37	120907-1	Transformer (460 V.).....	1
38	FE-7-7	Connector 90 Degree "Sealtite" (1/2 Male Thd. x 1/2 Flex Cnd.).....	1
39	SD-15-20	Self-Tapping Screw 10-32 x 3/8 Phil. Pan Hd., Type TT.....	2
40	WL-7-12	Lock Washer 10 Ext. Shakeproof.....	2
41	78752-9	Clamp - Cable.....	2
42	SD-15-40	Self-Tapping Screw 8-32 x 3/8 Phil. Pan Hd., Type TT.....	1
43	SD-15-20	Self-Tapping Screw 10-32 x 3/8 Phil. Pan Hd., Type TT.....	2
44	WL-7-12	Lock Washer 10 Ext. Shakeproof.....	2
45	121926-1	Contactory Assy. (3 Pole, 200-230 V.).....	1
46	121926-2	Contactory Assy. (3 Pole, 460 V.).....	1
47	SD-15-40	Self-Tapping Screw 8-32 x 3/8 Phil. Pan Hd., Type TT.....	6
48	FE-7-5	Connector 450 "Sealtite" (1/2 Male Thd. x 1/2 Flex. Cnd.).....	1
49	77658-8	Conduit 1/2 x 19 (Waterproof) (Motor to Column).....	1
50	291600	Tube - Insulator.....	1
*51	291559	Cover - Column Box.....	1
*52	SD-15-40	Self-Tapping Screw 8-32 x 3/8 Phil. Pan Hd., Type TT.....	1
*53	294325-1-2	Mounting Foot - Terminal Block.....	1
*54	SD-15-40	Self-Tapping Screw 8-32 x 3/8 Phil. Pan Hd., Type TT.....	2
*55	294325-2-2	Block - Terminal.....	AR
*56	78752-12	Clamp - Cable.....	1

ELECTRICAL UNIT

ILLUS.	PART NO.	NAME OF PART	AMT.
	PL-18620-1		
*57	SD-15-40	Self-Tapping Screw 8-32 x 3/8 Phil. Pan Hd., Type TT.....	1
*58	290889	Cable & Eyelet Assy. (Panel to Column).....	1
*59	SD-15-20	Self-Tapping Screw 10-32 x 3/8 Phil. Pan Hd., Type TT.....	1
*60	WL-7-12	Lock Washer 10 Ext. Shakeproof.....	1
*61	118544-1	Lug - Solderless.....	1
*62	65890-90	Terminal - Grounding.....	1
*63	WL-7-7	Lock Washer 8 Ext. Shakeproof.....	AR
*64	SD-15-40	Self-Tapping Screw 10-32 x 3/8 Phil. Pan Hd., Type TT.....	1
*65	87713-54-2	Contact (220 V., 3 Ph./380 V., 3 N.).....	1
*66	87713-54-3	Contact (415 V., 3 N.).....	1
*67	SD-24-44	Self-Tapping Screw 10-24 x 1/2 Phil. Pan Hd., Type TT.....	2
*68	88196-7-7	Relay - Thermal Overload (380/415 V., 3 N.) (W/Overload Protection).....	1
*69	88196-7-8	Relay - Thermal Overload (220 V., 3 Ph.) (W/Overload Protection).....	1
*70	87711-185-2	Push Button (Start).....	1
*71	87711-186-2	Contact Block (Start).....	1
*72	87711-185-1	Push Button (Stop).....	1
*73	87711-186-1	Contact Block (Stop).....	1
	291512	Switch & Bracket Assy. (Incls. items 3 thru 8 & 11).....	1
	SC-8-9	Mach. Screw 10-24 x 3/8 Rd. Hd. (Not Shown) (Use with items 13 or 58).....	1

* Use with 50 Hz.

NOTES



GAUGE PLATE UNIT

GAUGE PLATE UNIT

ILLUS.	PART NO.	NAME OF PART	AMT.
PL-19594-1			
1	SC-41-31	Cap Screw 3/8-16 x 1 1/4 Hex Hd.....	2
2	WS-18-40	Washer.....	2
3	290757	Support - Shaft & Rod (Rear).....	1
4	70194	Handle - Gauge Plate.....	1
*5		Spring - Gauge Plate Lock (3/8 Dia.).....	AR
6	291933	Spring - Gauge Plate Lock (1/2 Dia.).....	1
7	290769	Lever - Locking.....	1
8	290770	Shaft - Gauge Plate.....	1
9	290792	Front Shaft & Rod Support Assy. (Incls. items 10 & 11).....	1
10	PG-6-11	Groove-Pin - Type D, 1/4 x 5/8.....	1
11	SC-64-27	Set Screw 5/16-18 x 1/2 Soc. Hdls., Cup Pt. "Nylok".....	1
12	WS-18-40	Washer.....	2
13	SC-41-31	Cap Screw 3/8-16 x 1 1/4 Hex Hd.....	2
14	290760	Plate & Stud Assy. (5700).....	1
15	291431	Plate & Stud Assy. (5701).....	1
16	110544-9	Bushing - Gauge Plate Frame.....	2
17	290758-2	Rod - Table Anchor (Right Table).....	1
*18		Frame - Gauge Plate (3/8"Pin).....	AR
19	292004	Gauge Plate Frame Assy. (Incls. items 16, 21 & 24) (1/2 Dia. Pin).....	1
20	NS-25-4	Acorn Nut 1/4-20.....	5
21	290764	Button - Glide.....	1
*22		Pin - Locking Lever (3/8 Dia.).....	AR
23	291932	Pin - Locking Lever (1/2 Dia.).....	1
24	110544-10	Bushing - Gauge Plate Frame.....	1
	292346	Gauge Plate Assy. (5700) (Incls. items 6, 7, 14, 19, 20 & 23).....	1
	292347	Gauge Plate Assy. (5701) (Incls. items 6, 7, 15, 19, 20 & 23).....	1

* Discontinued, order Gauge Plate Frame Assy. [00-291851](#) (Incls. items 6, 7, 19 & 23)

