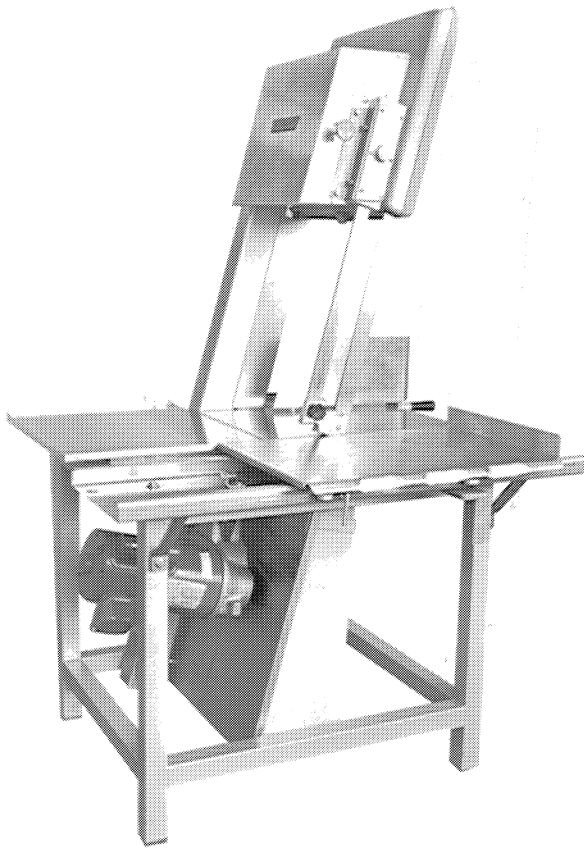




# CATALOG OF REPLACEMENT PARTS

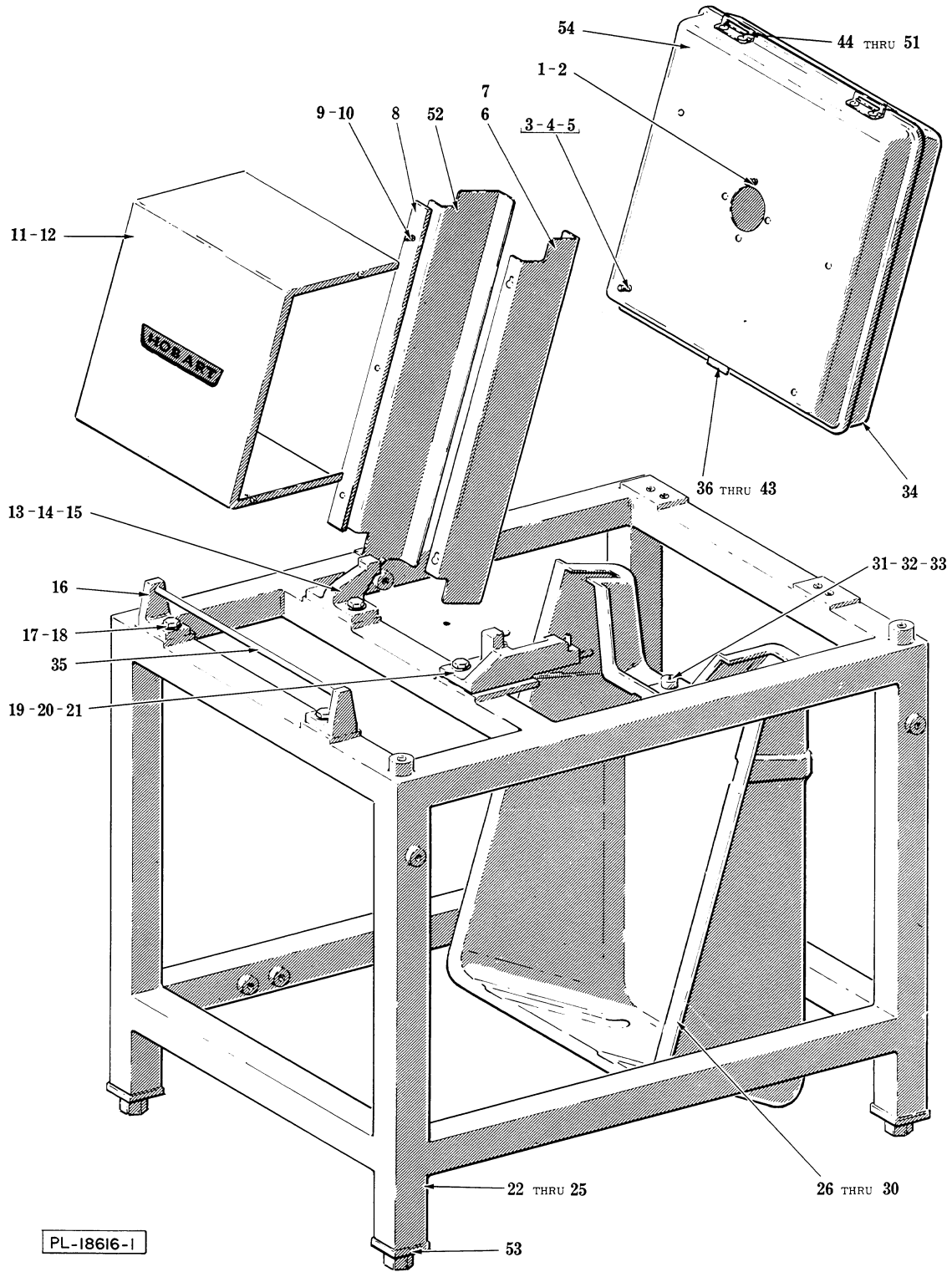


MODEL 5700 SHOWN

## MODELS 5700 & 5701 SERIES MEAT SAWS

ML-32386	5700	(PAINTED)
ML-32389	5700D	(SST)
ML-32392	5701	(PAINTED)
ML-32395	5701D	(SST)

This Manual Replaces and Should be Used  
Instead of Form 14164 (4-82).

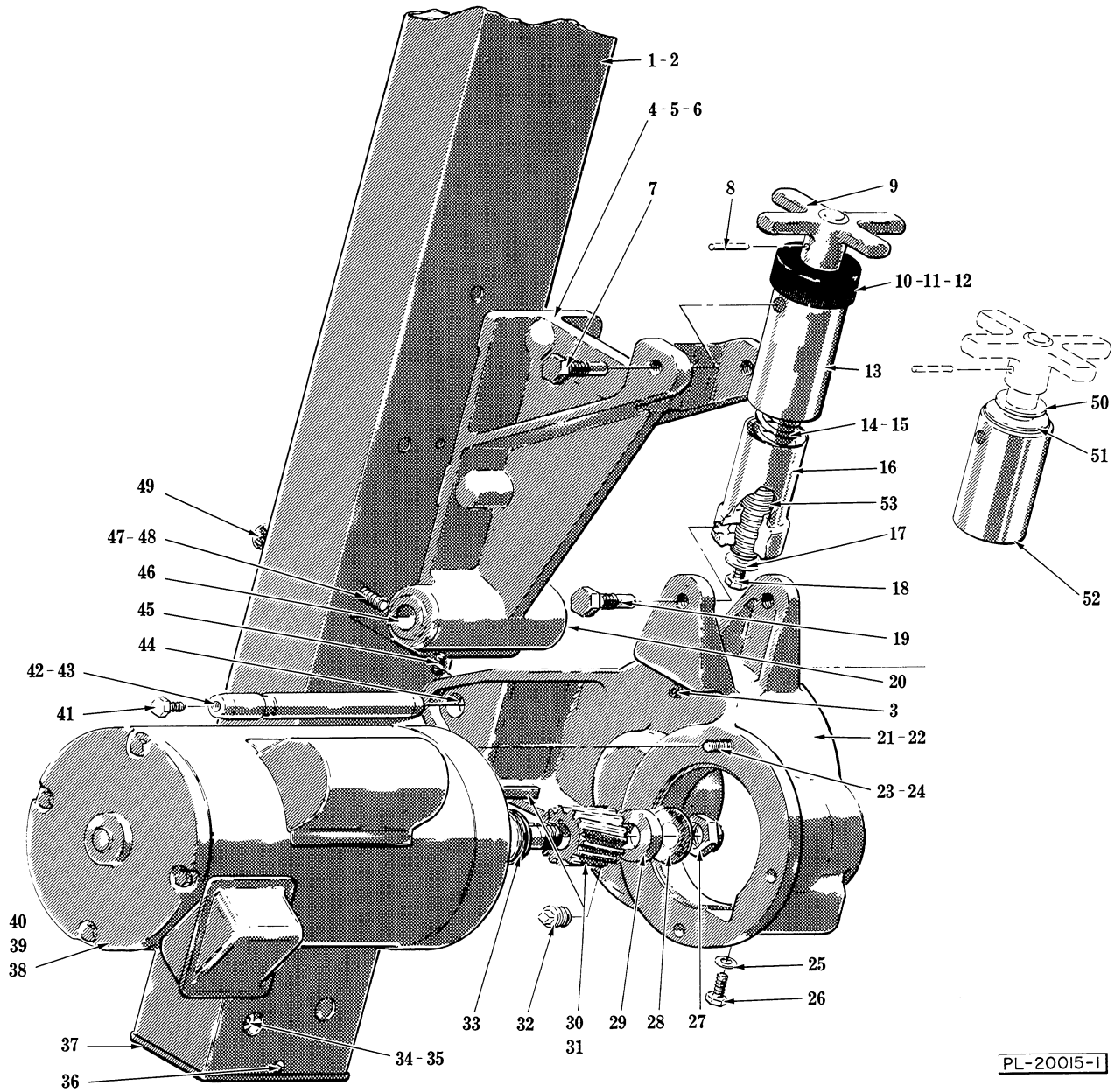


**FRAME AND COVER**

## FRAME AND COVER

ILLUS. PL-18616-1	PART NO.	NAME OF PART <sup>12</sup>	AMT.
1	SC-53-15	Mach. Screw 5/16-18 x 1/2 Truss Hd . . . . .	4
2	WS-17-21	Washer . . . . .	4
3	SC-41-50	cap Screw 1/4-20 x 1/2 Hex Hd . . . . .	4
4	WS-3-47	Washer . . . . .	4
5	291763-2	Washer - Rubber . . . . .	3
6	291556	Guard - Removable . . . . .	1
7	290856	Anchor - Column Guard . . . . .	2
8	291554	Spacer - Column Guard . . . . .	1
9	SC-93-7	Mach. Screw 10-32 x 1/2 Pan Hd . . . . .	3
10	WL-6-7	Lock Wasehr 10 Medium . . . . .	3
11	291532	Cover - & Logo Assy . . . . .	1
12	SC-21-14	Mach. Screw 8-32 x 3/8 Rd. Hd . . . . .	4
13	290752	Table Locator Assy . . . . .	1
14	SC-41-31	Cap Screw 3/8-16 x 1 1/4 Hex Hd . . . . .	2
15	WS-18-40	Washer . . . . .	2
16	290751	Support - Left Table . . . . .	2
17	SC-41-31	Cap Screw 3/8-16 x 1 1/4 Hex Hd . . . . .	2
18	WS-18-40	Washer . . . . .	2
19	291653	Lower Guide Support Assy . . . . .	1
20	SC-41-31	Cap Screw 3/8-16 x 1 1/4 Hex Hd . . . . .	2
21	WS-18-40	Washer . . . . .	2
22	290731-1	Frame Assy. (5700 Painted) (Incls. item 53) . . . . .	1
23	290731-2	Frame Assy. (5700D SST) (Incls. item 53) . . . . .	1
24	290886-1	Frame Assy. (5701 Painted) (Incls. item 53) . . . . .	1
25	290886-2	Frame Assy. (5701D SST) (Incls. item 53) . . . . .	1
*26	290859	Lower Cover with Molded Handle (5700) . . . . .	1
*27	291447	Lower Cover with Molded Handle (5701) . . . . .	1
*28	128090	Handle - Lower Cover . . . . .	1
*29	SC-21-22	Mach. Screw 10-24 x 3/8 Rd. Hd . . . . .	2
*30	WS-23-44	Washer . . . . .	2
31	290860	Anchor - Lower Cover . . . . .	1
32	SC-41-5	Cap Screw 1/4-20 x 5/8 Hex Hd . . . . .	1
33	WS-3-47	Washer . . . . .	1
34	290861	Upper Cover Assy. (Incls. items 37 thru 41, 43, 45 thru 48, 50 & 51) . . . . .	1
35	290758-1	Rod - Anchor (Left Table) . . . . .	1
36	291501	Clip - Upper Retainer (Baffle Assy.) . . . . .	1
37	291502	Clip - Upper Latch (Cover Assy.) . . . . .	1
38	SC-98-4	Mach. Screw 6-32 x 5/8 Rd. Hd . . . . .	4
39	WS-28-3	Washer . . . . .	4
40	NS-46-33	Acorn nut 6-32 Hex . . . . .	4
41	291759	Pad - Clip (Cover Assy.) . . . . .	1
42	291760	Pad - Clip (Baffle Assy.) . . . . .	1
43	291763-1	Washer - Rubber . . . . .	4
44	292314	Hinge - Upper Retainer (Baffle Assy.) . . . . .	2
45	291503	Hinge - Upper Latch (Cover Assy.) . . . . .	2
46	SC-98-4	Mach. Screw 6-32 x 5/8 Rd. hd . . . . .	8
47	WS-28-3	Washer . . . . .	8
48	NS-46-33	Acorn Nut 6-32 Hex . . . . .	8
49	291761	Pad - Hinge (Baffle Assy.) . . . . .	2
50	291762	Pad - Latch (Cover Assy.) . . . . .	2
51	291763-1	Washer - Rubber . . . . .	8
52	291555	Guard - Column . . . . .	1
53	290748	Foot (Std.) . . . . .	4
54	291531	Upper Baffle Assy. (Incls. items 36, 38, 39, 40, 42, 43, 44, 46, 47, 48, 49 & 51) . . . . .	1

\*New style lower covers have a molded handle. When replacing lower cover assembly do not order a handle.



PL-20015-1

**DRIVE AND TENSION ADJUSTMENT UNIT**

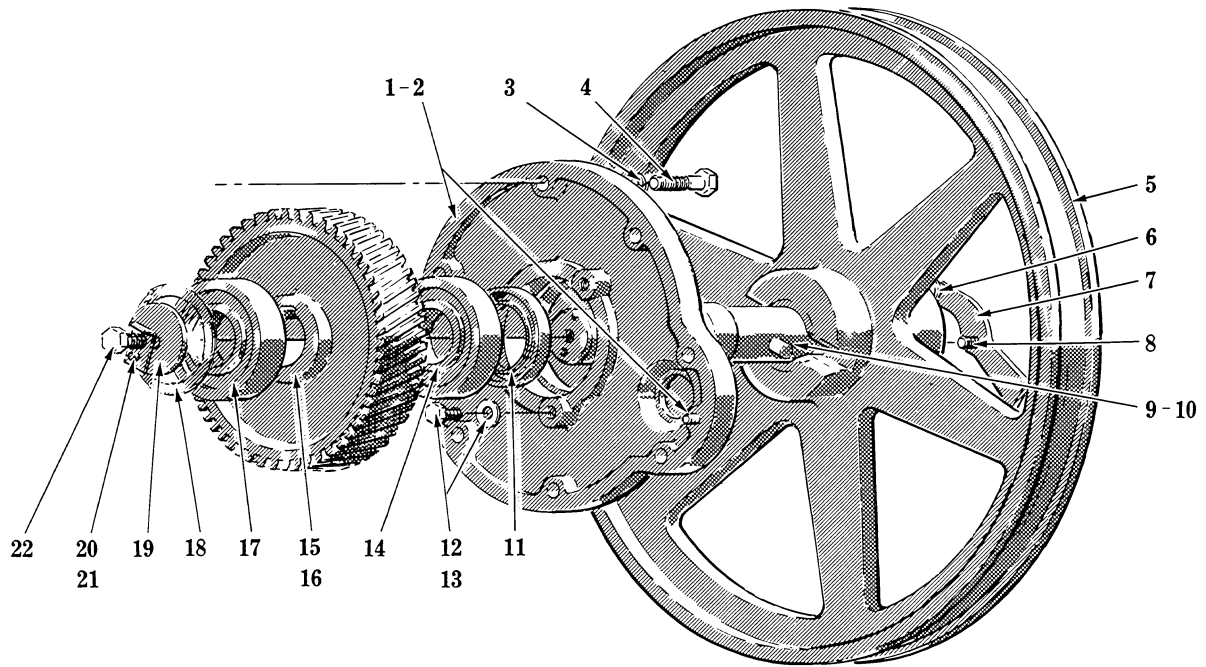
## DRIVE AND TENSION ADJUSTMENT UNIT

ILLUS. PL-20015-1	PART NO.	NAME OF PART <sup>12</sup>	AMT.
1	291533	Column & Label Assy. (5700)	1
2	291534	Column & Label Assy. (5701)	1
3	120971	Plug - Vent	1
4	*	Transmission Support Assy. (3/4" Dia. Pin)	1
5	292286	Transmission Support Assy. (Incls. item 6) (5/8 Dia. Pin)	1
6	11800-118	Dowel	1
7	290832	Pivot - Tension Adjusting	2
8	RP-3-16	Roll Pin 3/16 x 1 Lg	1
9	292361	Knob - Tension Adjust	1
10	WS-29-37	Washer	2
11	BN-5-6	Needle Bearing - Torrington NTA-1018	1
12	292796	Bellows	1
13	290825	Bushing & Tube Assy	1
14	291594	Spring - Compression	1
15	291662	Washer - Slot	1
16	292358	Nut & Tube Assy	1
17	WS-3-47	Washer	1
18	SC-41-50	Cap Screw 1/4-20 x 1/2 Hex Hd	1
19	290832	Pivot - Tension Adjusting	2
20	291859-1	Bushing 1/2 Lg. (Use in Transmission Support with 3/4 Bore & 5/8 Dia. Pin)	1
21	**	Gear Case (3/4 Dia. Pin)	1
22	291798	Gear Case Assy. (Incls. items 3 & 44) (5/8 Dia. Pin)	1
23	SC-41-31	Cap Screw 3/8-16 x 1 1/4 Hex Hd	3
24	WL-19-9	Lock Washer 3/8 Extra Heavy	3
25	WS-21-20	Washer	1
26	SC-36-93	Cap Screw 7/16-20 x 3/4 Hex Hd	1
27	NS-46-29	Stop Nut 3/4-16 Flexloc	1
28	SL-5-2	Washer - Belleville	1
29	290866	Washer - Damper	1
30	290816	Pinion - Drive (14T)	1
31	109070-8	Key	1
32	FP-28-8	Pipe Plug 3/8 Sq. Hd	1
33	SL-5-2	Washer - Belleville	6
34	SC-40-21	Cap Screw 3/8-16 x 7/8 Soc. Hd	4
35	WL-4-6	Lock Washer 3/8 Medium	4
36	SC-21-23	Mach. Screw 10-24 x 1/2 Rd. Hd	2
37	290813	Cover - Column	1
38	291796-1	Motor 60 Hz. 3 Ph	1
39	291796-2	Motor 50 Hz. 3 Ph	1
40	291796-3	Motor 60 Hz. 1 Ph	1
41	SC-41-55	Cap Screw 5/16-18 x 3/4 Hex Hd	1
42	***	Pin - Transmission (3/4 Dia.)	1
43	291860	Pin - Transmission (5/8 Dia.)	1
44	291859-1	Bushing 1/2 Lg	2
45	SC-47-72	Set Screw 1/4-20 x 3/8 Soc. Hdls., Cup Pt	1
46	291859-2	Bushing 3/8 Lg. (Use in Transmission Support with 3/4 Dia. Bore & 5/8 Dia. Pin)	1
47	SC-40-21	Cap Screw 3/8-16 x 7/8 Soc. Hd	5
48	WS-18-4	Washer	5
49	PB-2-26	Plug Button	8
50	WS-9-33	Washer	1
51	292356	Washer - Thrust	1
52	290825	Bushing & Tube Assy	1
53	292668	Tension Shaft Assy	1
	290820-5	Motor & Pinion Assy. (60 Hz. 3 Ph.) (Incls. items 27 thru 31, 33 & 38)	1
	290820-6	Motor & Pinion Assy. (50 Hz. 3 Ph.) (Incls. items 27 thru 31, 33 & 39)	1
	290820-7	Motor & Pinion Assy. (60 Hz. 1 Ph.) (Incls. items 27 thru 31, 33 & 40)	1
	292363	Tension Assy. (Incls. items 8 thru 18 & 53)	1

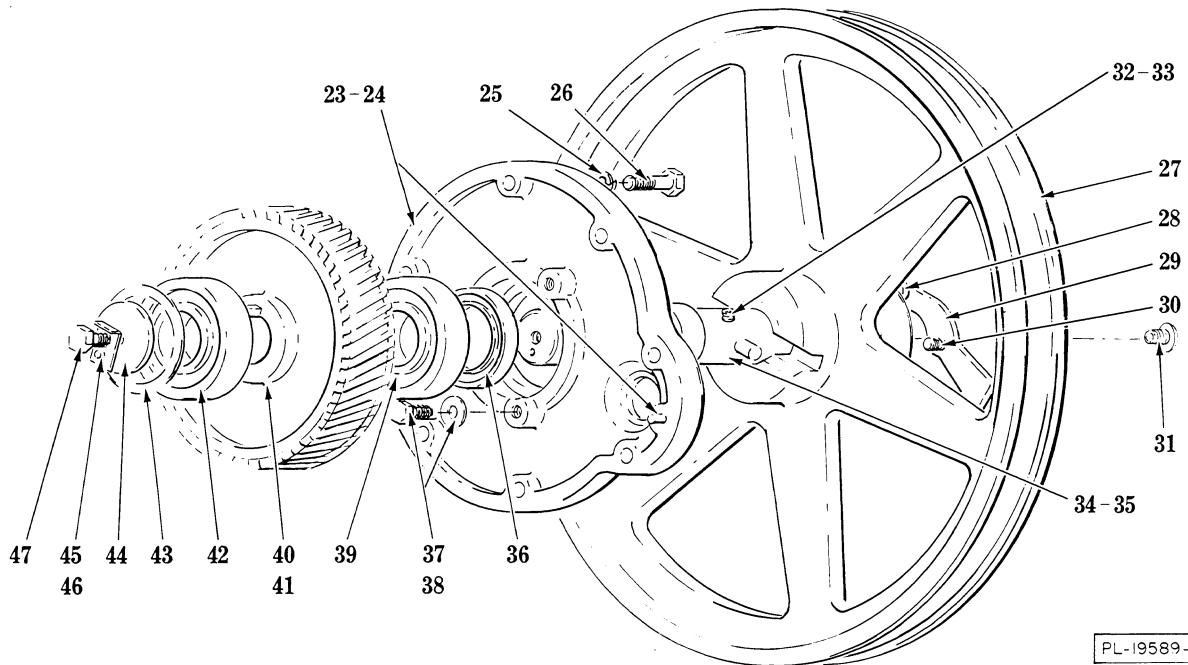
\*Discontinued, order items 5, 43 &amp; 44.

\*\*Discontinued, order items 22 &amp; 43.

\*\*\*Discontinued, order items 20, 43, 44 &amp; 46.



LOWER PULLEY WITH PRESS FIT DRIVE PIN



LOWER PULLEY WITH SET SCREW LOCKED DRIVE PIN

LOWER PULLEY UNIT

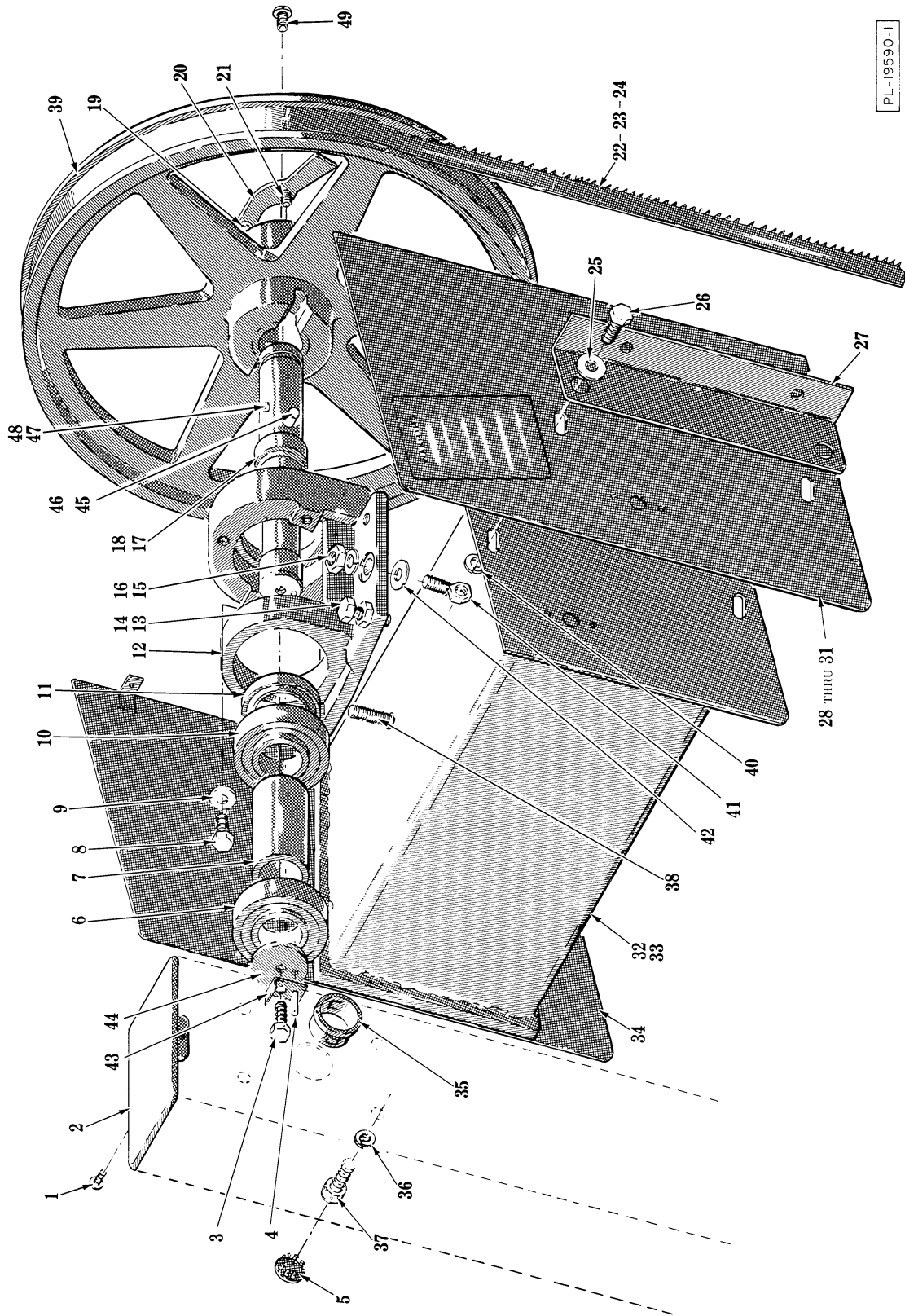
PL-19589-1

## LOWER PULLEY UNIT

ILLUS. PL-19589-1	PART NO.	NAME OF PART <sup>12</sup>	AMT.
<b>LOWER PULLEY WITH PRESS FIT DRIVE PIN</b>			
1	290817	Gear Case Cover Assy. (Incls. item 2)	1
2	11800-91	Dowel	2
3	WL-6-22	Lock Washer $\frac{5}{16}$ Light	7
4	SC-41-15	Cap Screw $\frac{5}{16}$ -18 x $1\frac{1}{4}$ Hex Hd	7
5	290863	Pulley & Latch Assy. (Incls. items 6, 7 & 8)	1
6	79686	Catch - Friction	1
7	292213	Latch	1
8	20851	Screw - Latch	1
9	*	Shaft - Lower (With Press Fit Drive Pin)	1
10	110551	Groov Pin - Special	1
11	290805	Seal - Shaft	1
12	SC-36-24	Cap Screw $\frac{5}{16}$ -18 x $\frac{5}{8}$ Hex Hd	3
13	WS-4-25	Washer	3
14	BB-8-14	Ball Bearing ND 77207	1
15	290815	Gear - Drive (58T) (Use on Shaft with Press Fit Drive Pin)	1
16	109070-9	Key	1
17	BB-8-14	Ball Bearing ND 77207	1
18	SL-3-11	Loading Spring ND72	2
19	291973	Retainer - Shaft	1
20	291624	Retainer - Lock	1
21	RP-3-18	Roll Pin $\frac{1}{8}$ x $\frac{7}{8}$ Lg	1
22	SC-41-12	Cap Screw $\frac{5}{16}$ -18 x $\frac{7}{8}$ Hex Hd	1
<b>LOWER PULLEY WITH SET SCREW LOCKED DRIVE PIN</b>			
23	290817	Gear Case Cover Assy. (Incls. item 24)	1
24	11800-91	Dowel	2
25	WL-6-22	Lock Washer $\frac{5}{16}$ Light	7
26	SC-41-15	Cap Screw $\frac{5}{16}$ -18 x $1\frac{1}{4}$ Hex Hd	7
27	290863	Pulley & Latch Assy. (Incls. items 28, 29 & 30)	1
28	79686	Catch - Friction	1
29	292213	Latch	1
30	20851	Screw - Latch	1
31	SD-5-49	Drive Screw #12K $\frac{1}{2}$ Rd. Hd	1
32	SC-117-59	Set Screw $\frac{1}{4}$ -20 x $\frac{1}{8}$ Soc. Hdls. Flat Pt	1
33	SC-55-2	Set Screw $\frac{1}{4}$ -20 x $\frac{1}{4}$ Soc. Hdls., Cup Pt	1
34	292278	Shaft - Lower (Used with Set Screw Locked Drive Pin)	1
35	292273	Pin - Drive	1
36	290805	Seal - Drive	1
37	SC-36-24	Cap Screw $\frac{5}{16}$ -18 x $\frac{5}{8}$ Hex Hd	3
38	WS-4-25	Washer	3
39	BB-8-14	Ball Bearing ND 77207	1
40	292276	Gear - Drive (58T) (Use on Shaft with Set Screw Locked Pulley Drive Pin)	1
41	109070-9	Key	1
42	BB-8-14	Ball Bearing ND 77207	1
43	SL-3-11	Loading Spring ND 72	2
44	291973	Retainer - Shaft	1
45	291624	Retainer - Lock	1
46	RP-3-18	Roll Pin $\frac{1}{8}$ x $\frac{7}{8}$ Lg	1
47	SC-41-12	Cap Screw $\frac{5}{16}$ -18 x $\frac{7}{8}$ Hex Hd	1

\*Discontinued, order Lower Drive Unit 292298 (Incls. items 31 thru 35, 39 thru 42 & 44 thru 47).

PL-19590-1



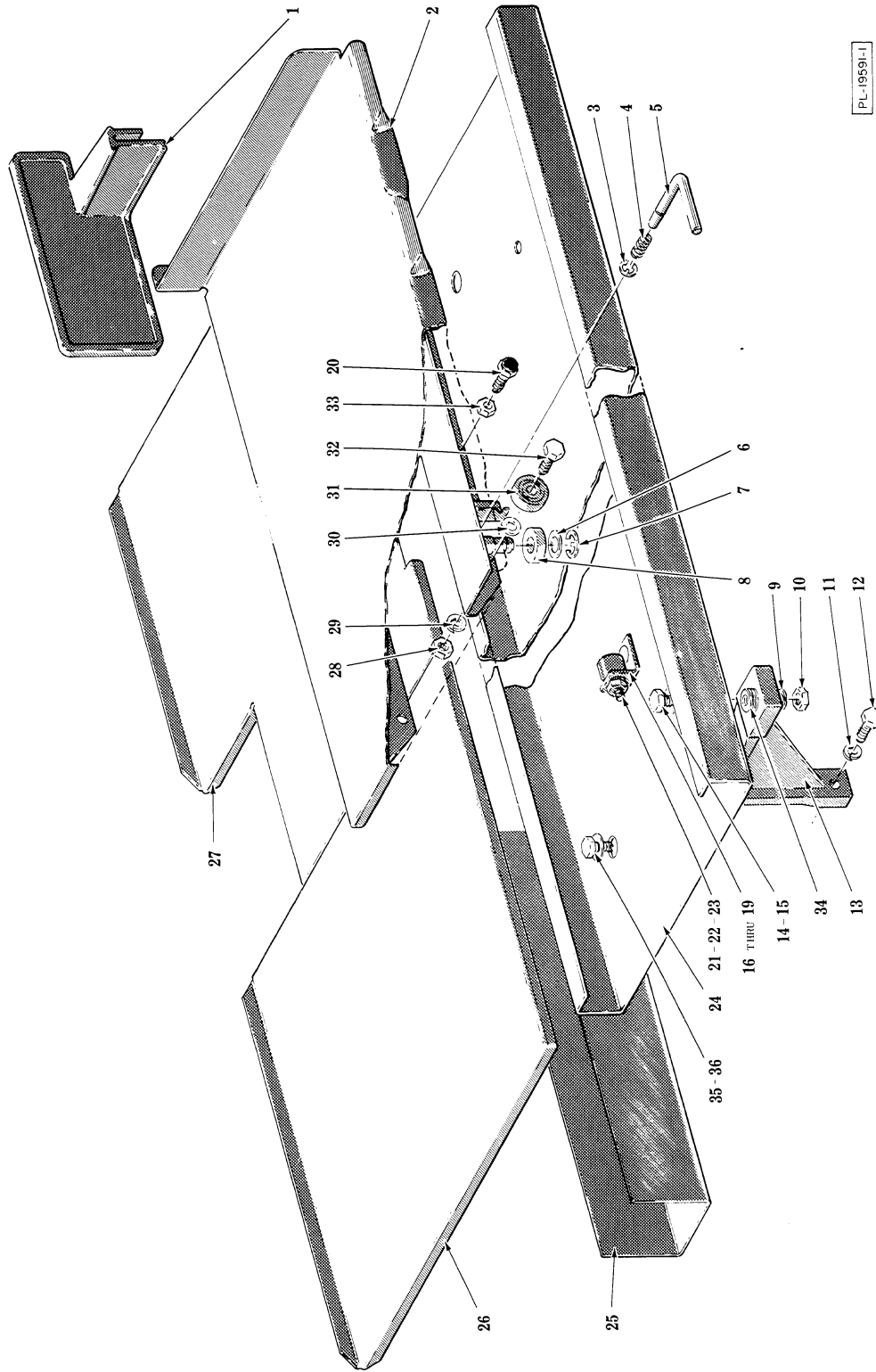
UPPER BEARING CARRIER UNIT

## UPPER BEARING CARRIER UNIT

ILLUS. PL-19590-1	PART NO.	NAME OF PART <sup>12</sup>	AMT.
1	SC-21-23	Mach. Screw 10-24 x 1/2 Rd. Hd	1
2	290813	Cover - Column	1
3	SC-41-12	Cap Screw 5/16-18 x 7/8 Hex Hd	1
4	RP-3-18	Roll Pin 1/8 x 7/8 Lg	1
5	PB-2-26	Plug Button	4
6	BB-8-14	Ball Bearing ND 77207	1
7	290806	Spacer - Bearing	1
8	SC-41-9	Cap Screw 5/16-18 x 1/2 Hex Hd	2
9	WS-17-1	Washer	2
10	BB-8-14	Ball Bearing ND 77207	1
11	290805	Seal - Shaft	1
12	291440	Housing - Bearing	1
13	SC-113-35	Cap Screw 5/16-18 x 1 3/4 Hex Hd	2
14	NS-17-8	Jam Nut 5/16-18 Hex Fin	2
15	NS-13-25	Full Nut 3/8-16 Hex Fin	2
16	WL-4-6	Lock Washer 3/8 Medium	2
17	**	Shaft -Upper (With Press Fit Pulley Drive Pin)	1
18	292274	Shaft - Upper (With Set Screw Locked Pulley Drive Pin)	1
19	79686	Catch - Friction	1
20	292213	Latch	1
21	20851	Screw - Latch	1
22	290868-1	Blade - Meat Saw (.022" - 4T) (5700 or 5701)	1
23	290868-2	Blade - Meat Saw (.022" - 3T) (Not Recommended for 5700)	1
24	290868-3	Blade - Meat Saw (.014" 3T) (Not Recommended for 5700)	1
25	WS-6-44	Washer	2
26	SC-41-28	Cap Screw 3/8-16 x 3/4 Hex Hd	2
27	290848	Angle - Upper Guide	1
28	291535	Front Trim Plate & Label Assy. (60 Hz.) (5700)	1
29	291536	Front Trim Plate & Label Assy. (60 Hz.) (5701)	1
*30	291560-2	Plate - Front Trims (5700)	1
*31	291560-1	Plate - Front Trims (5701)	1
32	292661	Column Box Assy. (60 Hz.)	1
*33	292660	Column Box Assy	1
34	291570	Trim Plate Assy	1
35	FE-16-2	Bushing - Snap	1
36	WL-4-6	Lock Washer 3/8 Medium	4
37	SC-40-21	Cap Screw 3/8-16 x 7/8 Soc. Hd	4
38	292663	Bearing Support Plate Assy	1
39	290863	Pulley & Latch Assy. (Incls. items 19, 20 & 21)	1
40	WL-6-27	Lock Washer 3/8 Light	2
41	NS-18-14	Jam Nut 3/8-16 Hex Fin	2
42	WS-18-4	Washer	2
43	291624	Retainer - Lock	1
44	291973	Retainer - Shaft	1
45	110551	Groove Pin (Use with item 17)	1
46	292273	Pin - Drive (Use with item 18)	1
47	SC-52-2	Set Screw 1/4-20 x 1/4 Soc. Hdls., Cup Pt (Use with item 18)	1
48	SC-117-59	Set Screw 1/4-20 x 1/8 Soc. Hdls., Flat Pt. (Use with item 18)	1
49	SD-5-49	Drive Screw 12 x 1/2 Rd. Hd	1
	292275	Bearing Carrier Assy. (Incls. items 3, 4, 6 thru 12, 18, 43, 44, 46, 47, 48 & 49)	1

\*Use with 50 Hz.

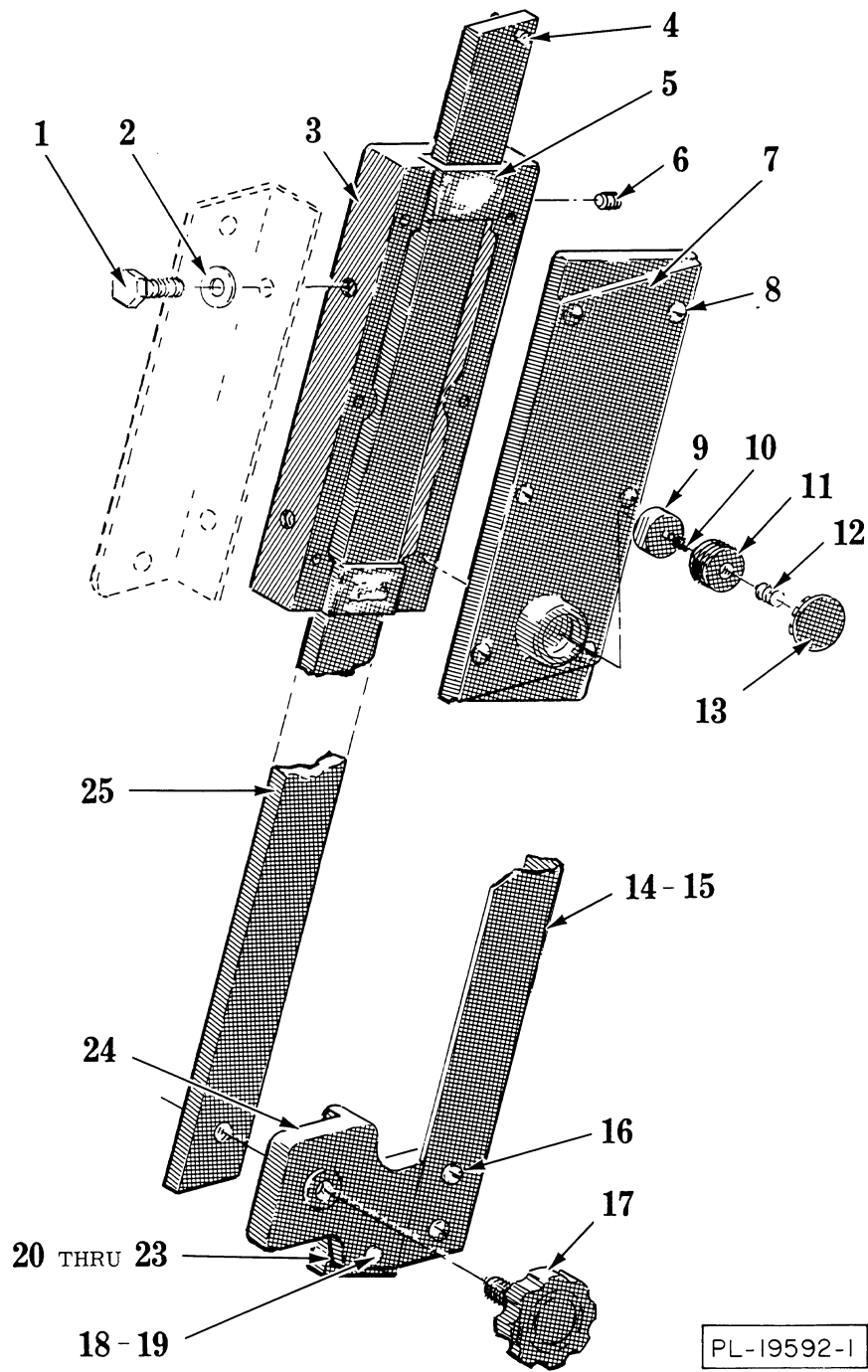
\*\*Discontinued, order Upper Drive Unit 292299 (Incls. items 3, 4, 6, 7, 10, 18, 43, 44 &amp; 46 thru 49).



TABLES AND CARRIAGE UNIT

## TABLES AND CARRIAGE UNIT

ILLUS. PL-19591-1	PART NO.	NAME OF PART <sup>12</sup>	AMT.
1	291435	Pusher Plate	1
2	290779	Carriage Assy	1
3	RR-11-9	Retaining Ring	1
4	290787	Spring - Carriage Lock	1
5	290795	Lever - Carriage Lock	1
6	WS-24-6	Washer	2
7	RR-10-12	Retaining Ring	2
8	290789	Roller - Carriage	2
9	WL-6-27	Lock Washer $\frac{3}{8}$ Light	2
10	NS-18-14	Jam Nut $\frac{3}{8}$ -16 Hex Fin	2
11	WL-6-27	Lock Washer $\frac{3}{8}$ Light	2
12	SC-41-31	Cap Screw $\frac{3}{8}$ -16 x $1\frac{1}{4}$ Hex Hd	2
13	291958-2	Brace - Carriage Support	2
14	SC-41-34	Cap Screw $\frac{3}{8}$ -16 x 2 Hex Hd	4
15	WS-18-40	Washer	2
16	119827	Stop - Carriage	2
17	SC-94-20	Carriage Bolt $\frac{5}{16}$ -18 x 1	2
18	70087	Washer - Spring	2
19	NS-31-29	Stop Nut $\frac{5}{16}$ -18 "Elastic"	2
20	291675	Plug & Holder Assy	1
21	18682-2	Bumper - Carriage Stop	2
22	WS-17-21	Washer	2
23	NS-15-11	Full Nut $\frac{5}{16}$ -18 Hex Fin	2
24	291558	Support - Carriage	1
25	290790	Tray - Scrap	1
26	290771	Left Table Assy	1
27	291654	Right Table Assy	1
28	NS-18-14	Jam Nut $\frac{3}{8}$ -16 Hex Fin	4
29	WL-6-27	Lock Washer $\frac{3}{8}$ Light	4
30	WS-18-30	Washer	4
31	BB-8-11	Ball Bearing Nice #SK-T 2198	4
32	SC-41-31	Cap Screw $\frac{3}{8}$ -16 x $1\frac{1}{4}$ Hex Hd	4
33	NS-15-11	Full Nut $\frac{5}{16}$ -18 Hex Fin	2
34	292284	Screw - Jack	2
35	SC-41-28	Cap Screw $\frac{3}{8}$ -16 x $\frac{3}{4}$ Hex Hd	2
36	WS-18-40	Washer	2
	290778	Carriage Unit Assy. (Incls. items 2 thru 8, 20 & 28 thru 33)	1
	291092	Bumper Stop Assy. (Incls. items 16, 21, 22 & 23)	2

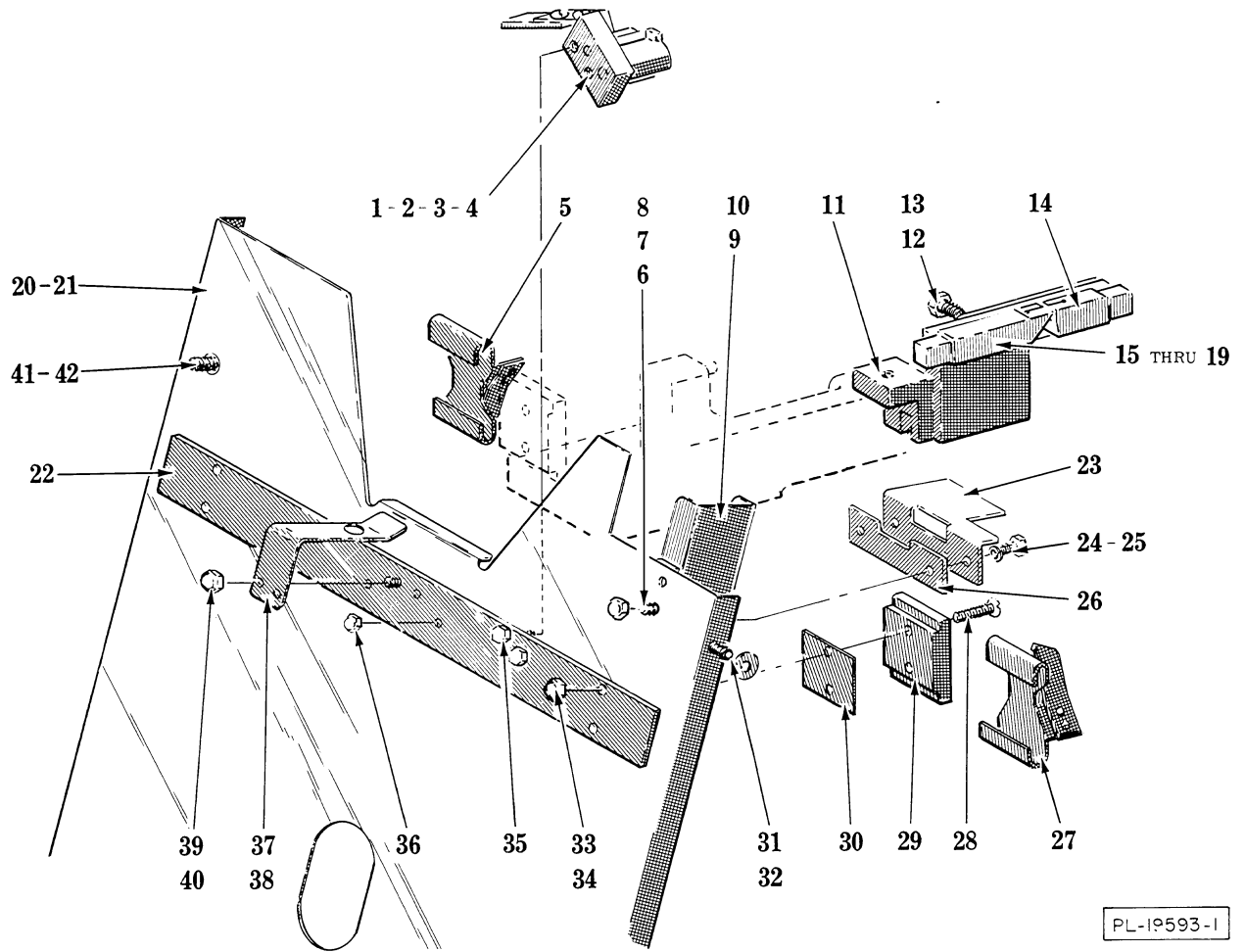


PL-19592-1

UPPER GUIDE UNIT

## UPPER GUIDE UNIT

ILLUS. PL-19592-1	PART NO.	NAME OF PART <sup>12</sup>	AMT.
1	SC-41-28	Cap Screw $\frac{3}{8}$ -16 x $\frac{3}{4}$ Hex Hd . . . . .	2
2	WS-6-44	Washer . . . . .	2
3	290846	Support - Guide Bar . . . . .	1
4	PG-7-16	Groove Pin $\frac{3}{16}$ Dia. x $\frac{3}{4}$ Lg . . . . .	1
5	290850	Insert - Guide Bar . . . . .	4
6	SC-116-87	Set Screw $\frac{1}{4}$ -20 x $\frac{1}{4}$ Soc. Hdls., Cup Pt . . . . .	2
7	290845	Retainer - Guide Bar . . . . .	1
8	SC-21-25	Mach. Screw 10-24 x $\frac{3}{4}$ Rd. Hd . . . . .	6
9	120141	Shoe - Slide Rod . . . . .	1
10	75866	Spring - Slide Rod . . . . .	1
11	290849	Screw - Carrier . . . . .	1
12	SC-63-33	Set Screw $\frac{3}{8}$ -16 x $\frac{3}{8}$ Hdls., Flat Pt . . . . .	1
13	PB-2-26	Plug Button . . . . .	1
14	290840	Guard - Front Blade (5700) . . . . .	1
15	291441	Guard - Front Blade (5701) . . . . .	1
16	SC-53-5	Mach. Screw 10-24 x $\frac{3}{8}$ Truss Hd . . . . .	2
17	120444-2	Knob - Adjusting . . . . .	1
18	SC-41-2	Cap Screw $\frac{1}{4}$ -20 x 1 Hex Hd. (Lower Guide) . . . . .	1
19	291579	Washer - Guide . . . . .	1
20	290844-1	Guide - Saw Blade (.022 "Blade) . . . . .	1
21	290844-2	Guide - Saw Blade (.014 "Blade) . . . . .	1
22	290844-3	Guide - Saw Blade (.038 "Blade) . . . . .	1
23	290844-4	Guide - Saw Blade (.020 "Blade) . . . . .	1
24	290842	Holder - Upper Guide . . . . .	1
25	291575	Upper Guide Support Bar Assy. (Incls. item 4) . . . . .	1
	290843	Upper Guide Assy. (5700) (Incls. items 14, 16 & 24) . . . . .	1
	291442	Upper Guide Assy. (5701) (Incls. items 15, 16 & 24) . . . . .	1

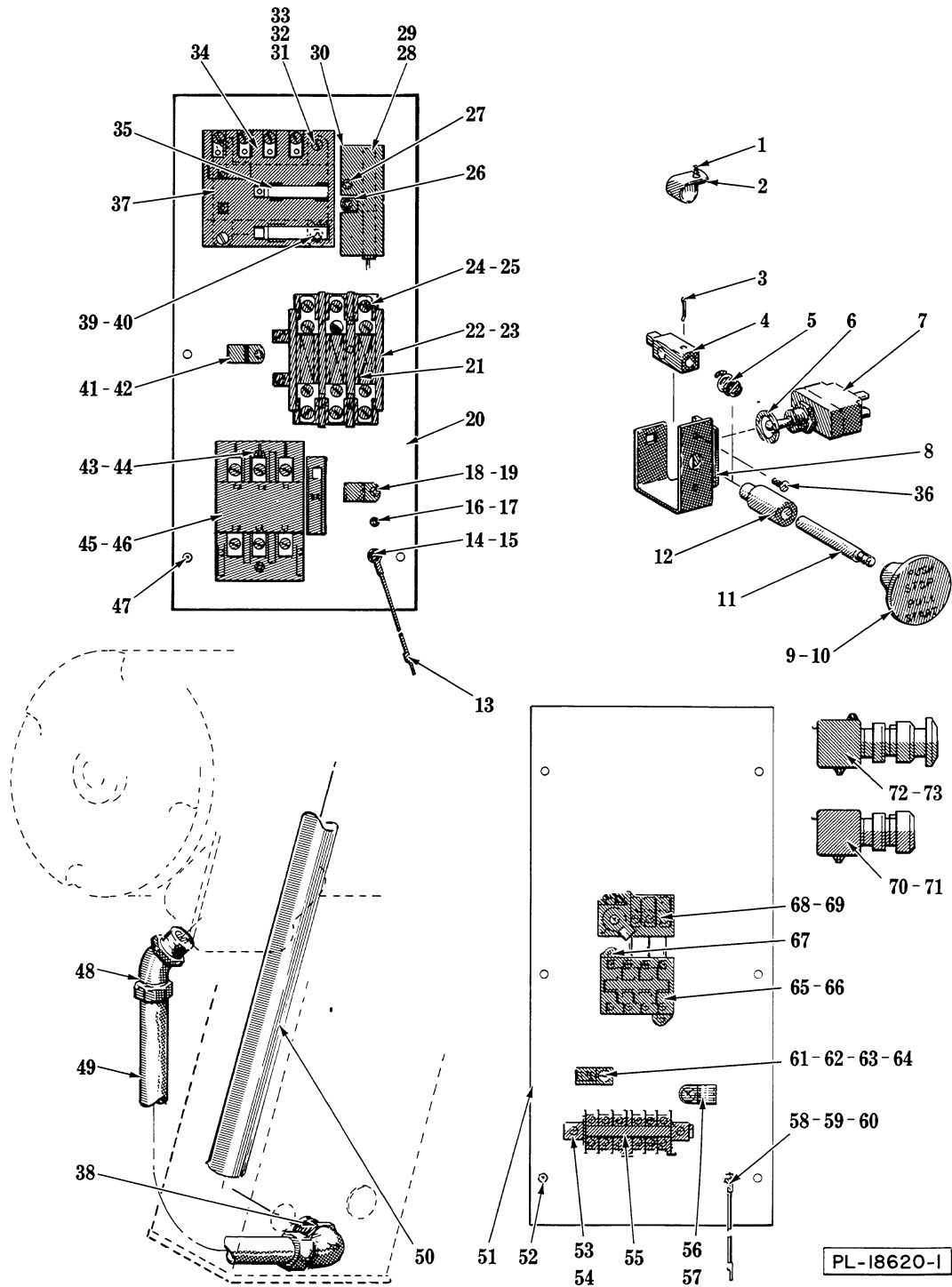


PL-19593-1

LOWER WIPER UNIT

## LOWER WIPER UNIT

ILLUS. PL-19593-1	PART NO.	NAME OF PART <sup>12</sup>	AMT.
1	291831	Block - Pulley Wiper (5701)	1
2	102399	Pulley Wiper Assy. (Incls. items 3 & 4) (5701)	1
3	123886	Wiper - Pulley & 5701)	1
4	SC-53-1	Mach. Screw 10-24 x 1/4 Truss Hd. (5701)	1
5	290798	Blade Wiper Assy	1
6	SC-41-50	Cap Screw 1/4-20 x 1/2 Hex Hd (5701)	2
7	WL-6-17	Lock Washer 1/4 Medium (5701)	2
8	NS-25-4	Acorn Nut 1/4-20 (5701)	2
9	291809	Shield - Blade Guide (5701)	1
10	291810	Spacer - Blade Guide (5701)	1
11	291649-2	Holder - Lower Guide	1
12	291656	Cover - Guide	1
13	SC-116-26	Cap Screw 1/4-28 x 7/8 Hex Hd	2
14	291658	Guide - Plastic	1
15	291650-1	Guide - Saw Blade (.022" Blade) (5700)	1
16	291670-1	Guide - Saw Blade (.022" Blade) (5701)	1
17	291670-2	Guide - Saw Blade (.014" Blade) (5701)	1
18	291670-3	Guide - Saw Blade (.038" Blade) (5701)	1
19	291670-4	Guide - Saw Blade (.020" Blade) (5701)	1
20	290851-1	Baffle - Lower Pulley (5700)	1
21	290851-2	Baffle - Lower Pulley (5701)	1
22	290821-2	Bar - Reinforcement	1
23	292212	Support	1
24	SC-41-1	Mach. Screw 1/4-20 x 3/4 Hex Hd	2
25	WL-6-17	Lock Washer 1/4 Medium	2
26	292285	Spacer	1
27	290798	Blade Wiper Assy	1
28	SC-22-35	Mach. Screw 1/4-20 x 1 Flat Hd	4
29	290822	Support - Wiper	2
30	290855	Shim - Wiper Support	AR
31	SC-41-50	Cap Screw 1/4-20 x 1/2 Hex Hd	2
32	WS-22-1	Washer	2
33	NS-25-4	Acorn Nut 1/4-20	4
34	WS-3-49	Washer	4
35	SC-41-50	Cap Screw 1/4-20 x 1/2 Hex Hd (5701)	1
36	NS-25-4	Acorn Nut 1/4-20	2
37	290788	Clip - Cover	1
38	SC-112-77	Mach. Screw 10-24 x 7/16 Pan Hd	2
39	NS-25-1	Acorn Nut 10-24	2
40	WL-6-6	Lock Washer 10 Light	2
41	SC-41-50	Cap Screw 1/4-20 x 1/2 Hex Hd	4
42	WS-3-47	Washer	2
	291652-1	Holder & Guide Assy. (5700) (Incls. items 11 thru 15)	1
	291672-1	Holder & Guide Assy. (5701) (Incls. items 11 thru 14 & 16)	1
	291672-2	Holder & Guide Assy. (5701) (Incls. items 11 thru 14 & 17)	1
	291672-3	Holder & Guide Assy. (5701) (Incls. items 11 thru 14 & 18)	1
	291672-4	Holder & Guide Assy. (5701) (Incls. items 11 thru 14 & 19)	1



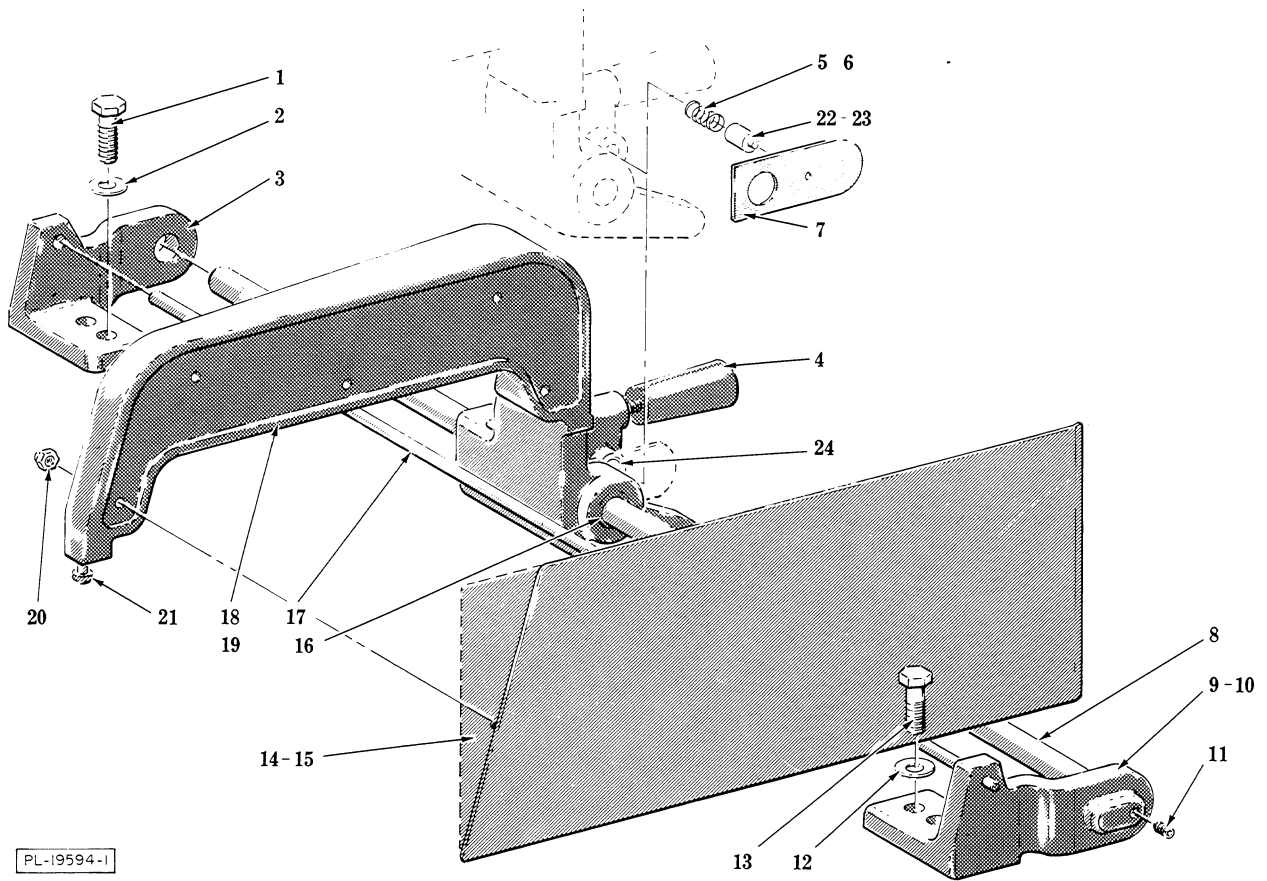
ELECTRICAL UNIT

ILLUS. NO.	PART NO.	NAME OF PART <sub>12</sub>	AMT.
1	SC-21-14	Mach. Screw 8-32 x 3/8 Rd. Hd	1
2	78752-9	Clamp - Cable	1
3	PC-5-8	Cotter Pin 3/32 x 5/8 Lg	1
4	121540-2	Actuator Switch	1
5	121547	Spring - Compression	1

ILLUS. PL-18620-1	PART NO.	ELECTRICAL UNIT (Cont.) NAME OF PART <sup>12</sup>	AMT.
6	121827	Ring - Locking	1
7	120388	Switch & Label Assy	1
8	123241-1	Bracket - Switch	1
9	291475	Label - Start/Stop	1
10	290885	Knob - Switch	1
11	290882	Shaft - Switch	1
12	290883	Bushing - Switch Shaft	1
13	290889	Cable & Eyelet Assy. (Panel to Column)	1
14	SD-15-20	Self-Tapping Screw 10-32 x 3/8 Phil. Pan Hd., Type TT	1
15	WL-7-12	Lock Washer 10 Ext. Shakeproof	1
16	SD-15-40	Self-Tapping Screw 8-32 x 3/8 Phil. Pan Hd., Type TT	1
17	WL-7-7	Lock Washer 8 Ext. Shakeproof	1
18	78752-9	Clamp - Cable	1
19	SD-15-40	Self-Tapping Screw 8-32 x 3/8 Phil. Pan Hd., Type TT	1
20	290839	Cover - Column Box	1
21	*	Heater Element - Overload Relay (W/Overload Protection)	AR
22	88196-6-1	Relay - Thermal Overload (1 Ph.) (W/Overload Protection)	1
23	88196-9-1	Relay - Thermal Overload (3 Ph.) (W/Overload Protection)	1
24	SD-15-20	Self-Tapping Screw 10-32 x 3/8 Phil. Pan Hd., Type TT	2
25	WL-7-12	Lock Washer 10 Ext. Shakeproof	2
26	108199-1	Clamp - Air Heater	1
27	SD-15-40	Self-Tapping Screw 8-32 x 3/8 Phil. Pan Hd., Type TT	2
28	122345-1	Heater Assy. (460 V.)	1
29	122345-2	Heater Assy. (200-230 V.)	1
30	121543	Shield - Heater	1
31	SC-19-33	Mach. Screw 8-32 x 1/2 Bind. Hd	2
32	WL-7-7	Lock Washer 8 Ext. Shakeproof	2
33	NS-9-12	Mach. Nut 8-32 Hex	2
34	114707	Terminal & Mounting Board Assy. (460 V.)	1
35	FE-19-48	Fuse (.8 Amp., 600 V.)	2
36	SC-10-36	Mach. Screw 10-24 x 5/8 Truss Hd	2
37	120907-1	Transformer (460 V.)	1
38	FE-7-7	Connector 90° "Sealtite" (1/2 Male Thd. x 1/2 Flex Cnd.)	1
39	SD-15-20	Self-Tapping Screw 10-32 x 3/8 Phil. Pan Hd., Type TT	2
40	WL-7-12	Lock Washer 10 Ext. Shakeproof	2
41	78752-9	Clamp - Cable	1
42	SD-15-40	Self-Tapping Screw 8-32 x 3/8 Phil. Pan Hd., Type TT	1
43	SD-15-20	Self-Tapping Screw 10-32 x 3/8 Phil. Pan Hd., Type TT	2
44	WL-7-12	Lock Washer 10 Ext. Shakeproof	2
45	121926-1	Contactory Assy. (3 Pole, 200-230 V.)	1
46	121926-2	Contactory Assy. (3 Pole, 460 V.)	1
47	SD-15-40	Self-Tapping Screw 8-32 x 3/8 Phil. Pan Hd., Type TT	6
48	FE-7-5	Connector 45° "Sealtite" (1/2 Male Thd. x 1/2 Flex. Cnd.)	1
49	77658-8	Conduit 1/2 x 19 (Waterproof) (Motor to Column)	1
50	291600	Tube - Insulator	1
**51	291559	Cover - Column Box	1
**52	SD-15-40	Self-Tapping Screw 8-32 x 3/8 Phil. Pan Hd., Type TT	1
**53	294325-1-2	Mounting Foot - Terminal Block	1
**54	SD-15-40	Self-Tapping Screw 8-32 x 3/8 Phil. Pan Hd., Type TT	2
**55	294325-2-2	Block - Terminal	AR
**56	78752-12	Clamp - Cable	1
**57	SD-15-40	Self-Tapping Screw 8-32 x 3/8 Phil. Pan Hd., Type TT	1
**58	290889	Cable & Eyelet Assy. (Panel to Column)	1
**59	SD-15-20	Self-Tapping Screw 10-32 x 3/8 Phil. Pan Hd., Type TT	1
**60	WL-7-12	Lock Washer 10 Ext. Shakeproof	1
**61	118544-1	Lug - Solderless	1
**62	65890-90	Terminal - Grounding	1
**63	WL-7-7	Lock Washer 8 Ext. Shakeproof	AR
**64	SD-15-40	Self-Tapping Screw 10-32 x 3/8 Phil. Pan Hd., Type TT	1
**65	87713-54-2	Contactory (220 V., 3 Ph./380 V., 3 N.)	1
**66	87713-54-3	Contactory (415 V., 3 N.)	1
**67	SD-24-44	Self-Tapping Screw 10-24 x 1/2 Phil. Pan Hd., Type TT	2
**68	88196-7-7	Relay - Thermal Overload (380/415 V., 3 N.) (W/Overload Protection)	1
**69	88196-7-8	Relay - Thermal Overload (220 V., 3 Ph.) (W/Overload Protection)	1
**70	87711-185-2	Push Button (Start)	1
**71	87711-186-2	Contact Block (Start)	1
**72	87711-185-1	Push Button (Stop)	1
**73	87711-186-1	Contact Block (Stop)	1
	291512	Switch & Bracket Assy. (Incls. items 3 thru 8 & 11)	1
	SC-8-9	Mach. Screw 10-24 x 3/8 Rd. Hd. (Not Shown) (Use with items 13 or 58)	1

\*Give Elec. Spec., Mach. Model &amp; Motor Type.

\*\*Use with 50 Hz.



PL-19594-1

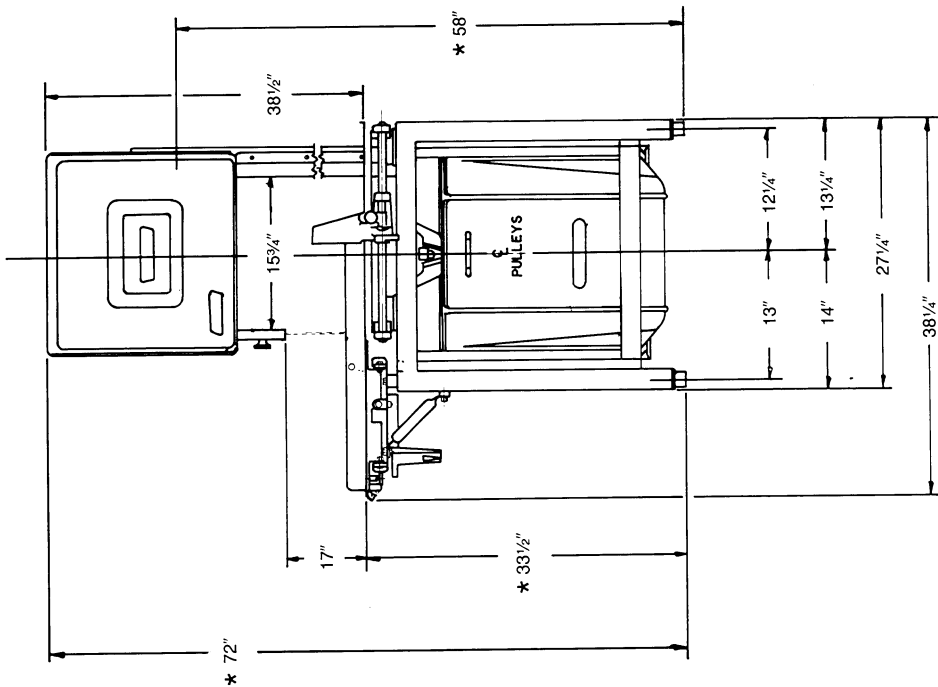
GAUGE PLATE UNIT

## GAUGE PLATE UNIT

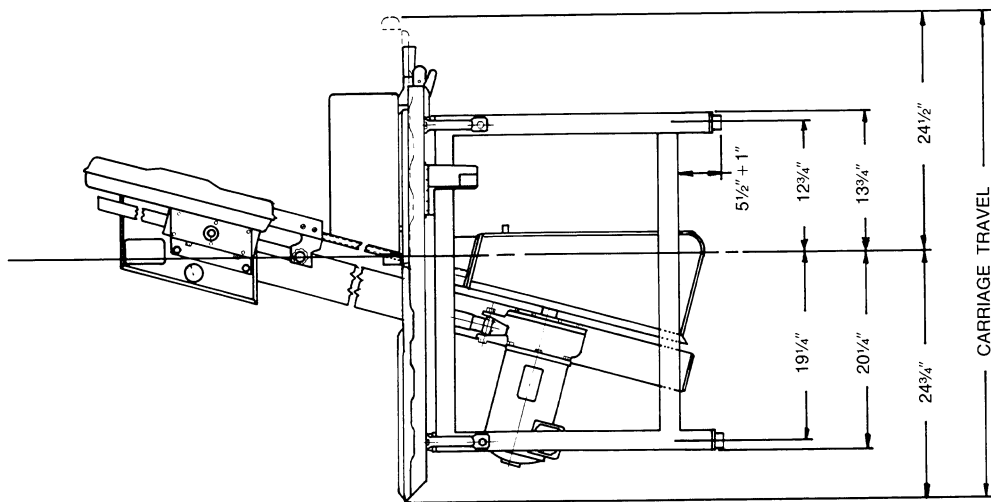
ILLUS. PL-19594-1	PART NO.	NAME OF PART <sup>12</sup>	AMT.
1	SC-41-31	Cap Screw $\frac{3}{8}$ -16 x 1 $\frac{1}{4}$ Hex Hd . . . . .	2
2	WS-18-40	Washer . . . . .	2
3	290757	Support - Shaft & Rod (Rear) . . . . .	1
4	70194	Handle - Gauge Plate . . . . .	1
5	*	Spring - Gauge Plate Lock ( $\frac{3}{8}$ Dia.) . . . . .	1
6	291933	Spring - Gauge Plate Lock ( $\frac{1}{2}$ Dia.) . . . . .	1
7	290769	Lever - Locking . . . . .	1
8	290770	Shaft - Gauge Plate . . . . .	1
9	290792	Front Shaft & Rod Support Assy. (Incls. items 10 & 11) . . . . .	1
10	PG-6-11	Groove-Pin - Type D, $\frac{1}{4}$ x $\frac{5}{8}$ . . . . .	1
11	SC-64-27	Set Screw $\frac{5}{16}$ -18 x $\frac{1}{2}$ Soc. Hdls., Cup Pt. "Nyllok" . . . . .	1
12	WS-18-40	Washer . . . . .	2
13	SC-41-31	Cap Screw $\frac{3}{8}$ -16 x 1 $\frac{1}{4}$ Hex Hd . . . . .	2
14	290760	Plate & Stud Assy. (5700) . . . . .	1
15	291431	Plate & Stud Assy. (5701) . . . . .	1
16	110544-9	Bushing - Gauge Plate Frame . . . . .	2
17	290758-2	Rod - Table Anchor (Right Table) . . . . .	1
18	*	Frame - Gauge Plate ( $\frac{3}{8}$ " Pin) . . . . .	1
19	292004	Gauge Plate Assy. (Incls. items 16, 21 & 24) ( $\frac{1}{2}$ Dia. Pin) . . . . .	1
20	NS-25-4	Acorn Nut $\frac{1}{4}$ -20 . . . . .	5
21	290764	Button - Glide . . . . .	1
22	*	Pin - Locking Lever ( $\frac{3}{8}$ Dia.) . . . . .	1
23	291932	Pin - Locking Lever ( $\frac{1}{2}$ Dia.) . . . . .	1
24	110544-10	Bushing - Gauge Plate Frame . . . . .	1
	292346	Gauge Plate Assy. (5700) (Incls. items 6, 7, 14, 19, 20 & 23) . . . . .	1
	292347	Gauge Plate Assy. (5701) (Incls. items 6, 7, 15, 19, 20 & 23) . . . . .	1

\*Discontinued, order Gauge Plate Frame Assy. 291851 (Incls. items 6, 7, 19 & 23).

WARNING  
ELECTRICAL AND GROUNDING CONNECTIONS  
MUST COMPLY WITH APPLICABLE PORTIONS  
OF THE NATIONAL ELECTRICAL CODE AND/OR  
OTHER LOCAL ELECTRICAL CODES.



\* THESE DIMENSIONS MAY INCREASE AS  
MUCH AS 1" DEPENDING ON LEG  
ADJUSTMENT.



MODEL 5700/5700-D SHOWN,  
MODEL 5701/5701-D WILL  
BE 1-1/8" TALLER.

PL-18422

INSTALLATION DIAGRAM