



CATALOG OF REPLACEMENT PARTS



A.) MODEL 6430 & 6460 POTATO PEELERS

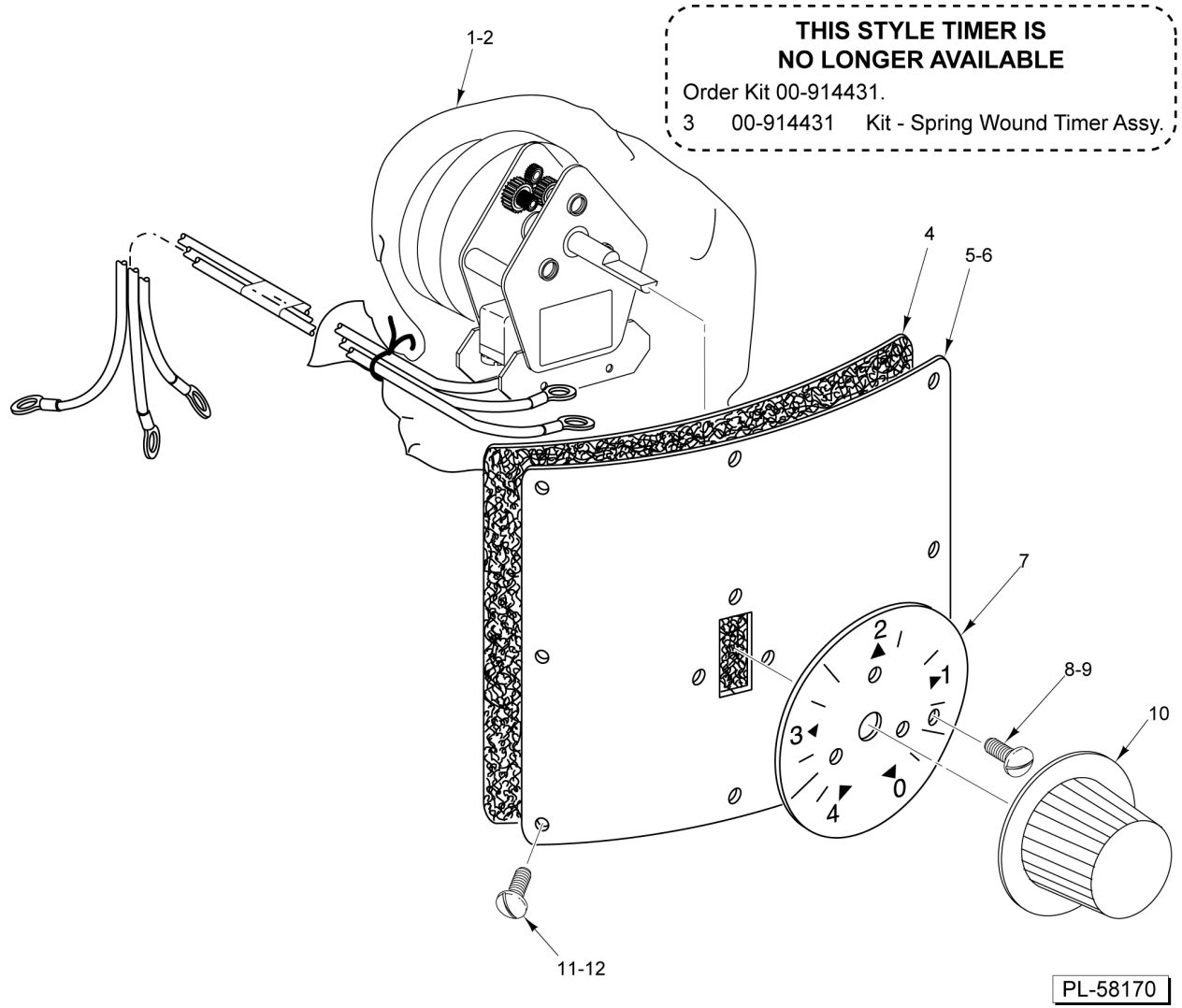
ML-137602	6430T
ML-137603	6430T CAN
ML-137604	6460T
ML-137605	6460T CAN
ML-137606	6460CT
ML-136243	6460M

PRIOR MLS COVERED IN THE CATALOG

ML-019628	6430
ML-019629	6430T
ML-038699	6430T W/O MOTOR
ML-104560	6430C
ML-104561	6430CT
ML-019630	6460
ML-019631	6460T
ML-038700	6460T W/O MOTOR
ML-104562	6460C
ML-104563	6460CT
ML-104809	6460M
ML-104810	6460MT

Table of Contents

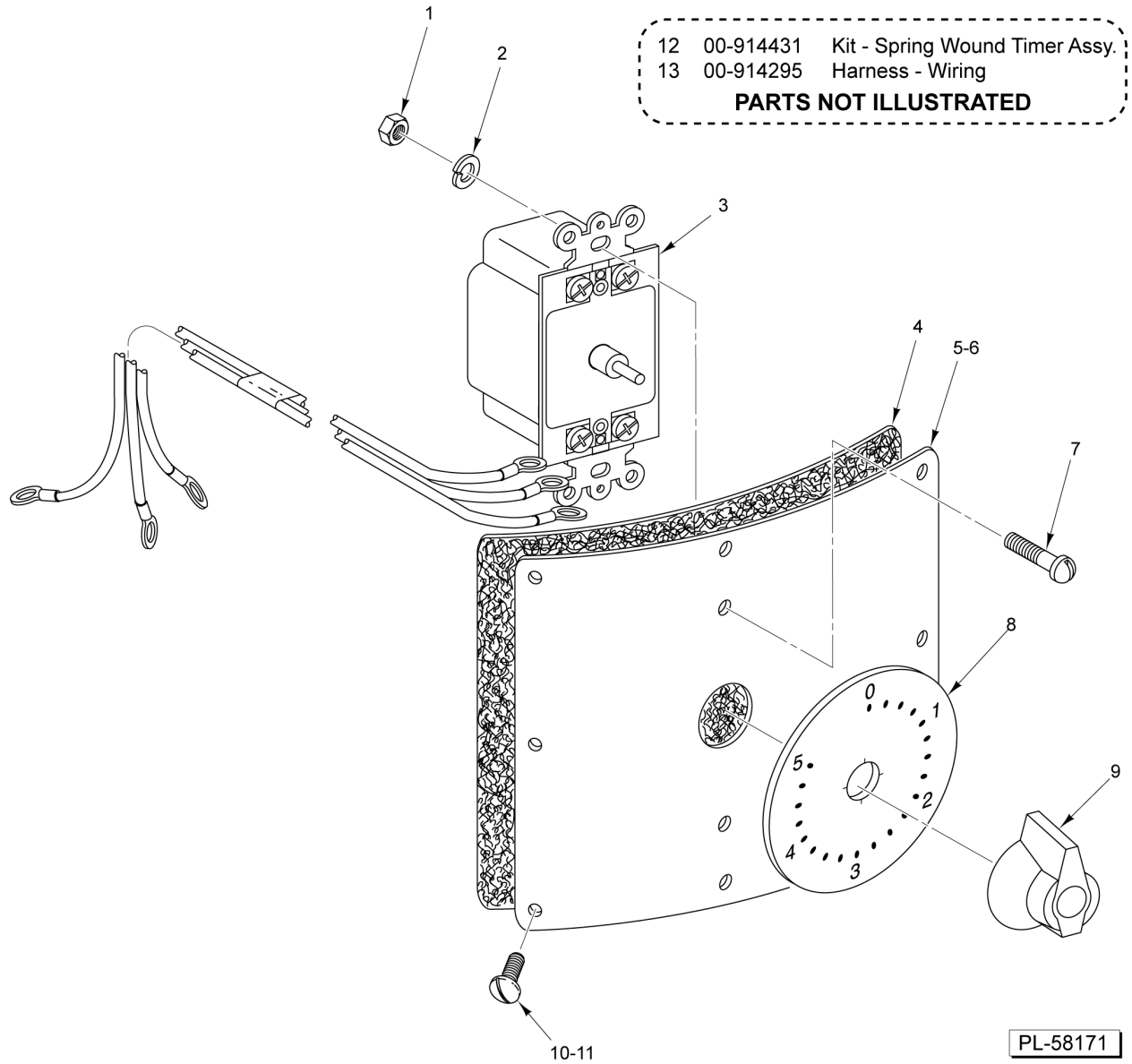
5	TIMER UNIT (PREVIOUS CONSTRUCTION)
7	TIMER UNIT (CURRENT CONSTRUCTION)
9	CONTROLS UNIT
11	ELECTRICAL COMPONENTS
13	HOUSING UNIT
15	CHUTE UNIT
17	LINER UNIT
19	DRIVE UNIT
21	ABRASIVE DISK
23	PEEL TRAP UNIT
25	DISPOSER STAND UNIT (1 PHASE)



**TIMER UNIT
(PREVIOUS CONSTRUCTION)**

**TIMER UNIT
(PREVIOUS CONSTRUCTION)**

ILLUS.	PART NO.	NAME OF PART	AMT.
PL-58170			
1		Bag - Protective (Part no longer available, Order Item 3).....	1
2	00-065539	Tie - Plastic Bag.....	1
3	00-914431	Kit - Spring Wound Timer Assy. (Incls. Timer, Gasket, Dial, Knob, & Hardware).....	1
4	00-124528	Gasket - Cover.....	1
5	00-124571	Plate - Timer Cover.....	1
6	00-124571-00002	Plate - Timer Cover (6430C/6460C).....	1
7	00-063206	Dial - Timer.....	1
8	SC-019-11	Mach. Screw 8-32 x 3/8 Slotted Bndg. Hd.....	3
9	SC-128-68	Mach. Screw 6-32 x 3/8 Tx. Button Hd. (SST) (6460CT).....	3
10	00-291748	Knob - Timer.....	1
11	SD-033-44	Self-Tapping Screw 8-18 x 5/16 Slotted Pan Hd., Type B.....	8
12	SD-037-78	Self-Tapping Screw 8-18 x 3/8 Hex Button Hd., Type AB (SST) (6430C/6460C).....	8

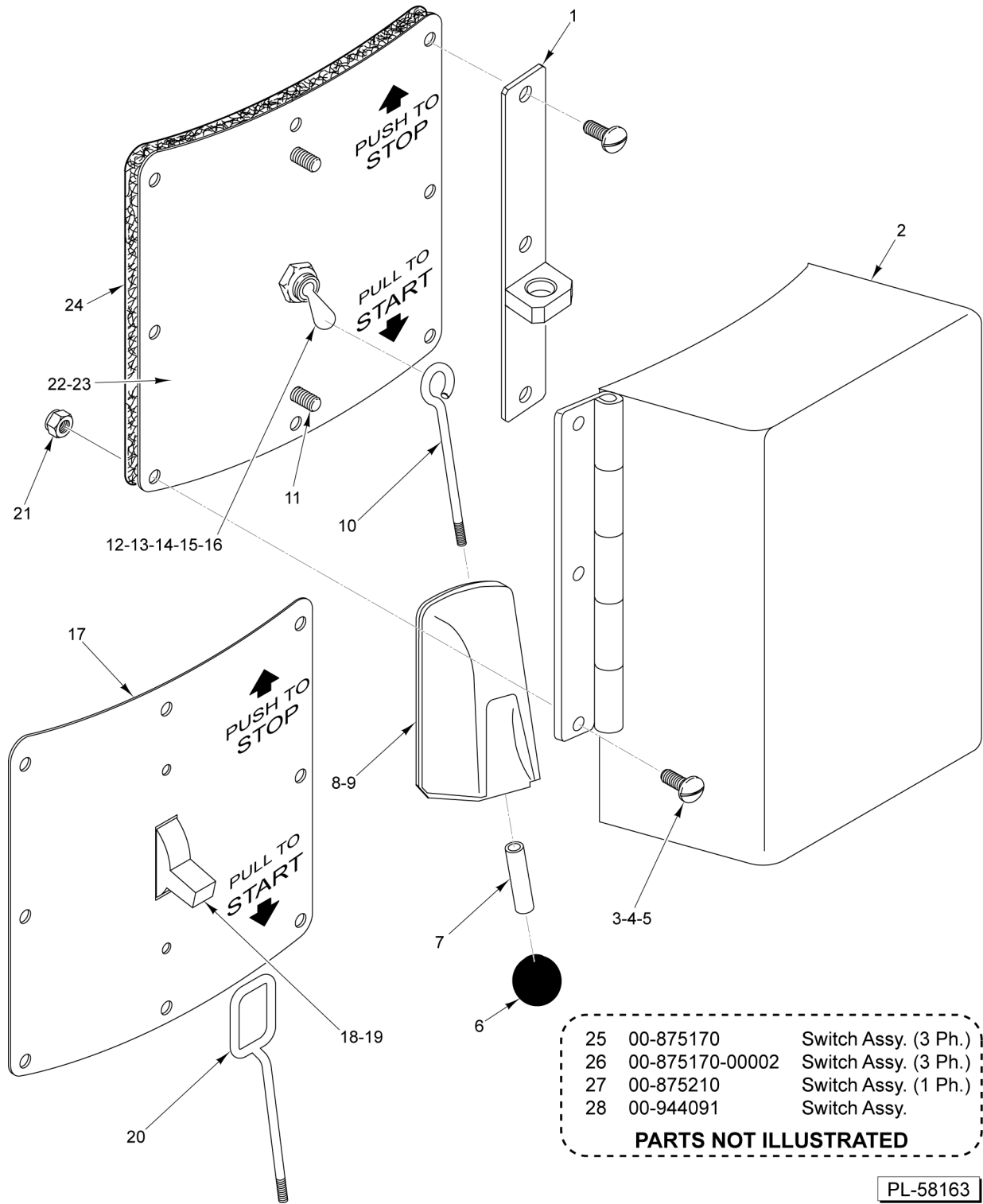


**TIMER UNIT
 (CURRENT CONSTRUCTION)**

**TIMER UNIT
(CURRENT CONSTRUCTION)**

ILLUS.	PART NO.	NAME OF PART	AMT.
PL-58171			
1	NS-011-07	Nut 6-32 Hex (SST).....	2
2	WL-014-03	Lockwasher #6 External (SST).....	2
*3	00-891510	Timer - Spring Wound (Intermatic) (Incls. Item 9).....	1
4	00-124528	Gasket - Cover.....	1
5	00-891500	Cover - Timer (6430/6460).....	1
6	00-891500-00002	Cover - Timer (6460C).....	1
7	SC-021-08	Mach. Screw 6-32 x 3/8 Slotted Rd. Hd. (SST).....	2
8	00-914432	Dial - Adhesive (6430/6460).....	1
9	00-891509	Knob - Timer.....	1
10	SD-033-44	Self-Tapping Screw 8-18 x 5/16 Slotted Pan Hd., Type B.....	8
11	SD-037-78	Self-Tapping Screw 8-18 x 3/8 Hex Button Hd. (SST) (6430C/6460C).....	8
12	00-914431	Kit - Spring Wound Timer Assy. (Incls. Items 1 thru 4, 7, 8, & 9).....	1
13	00-914295	Harness - Wiring.....	1

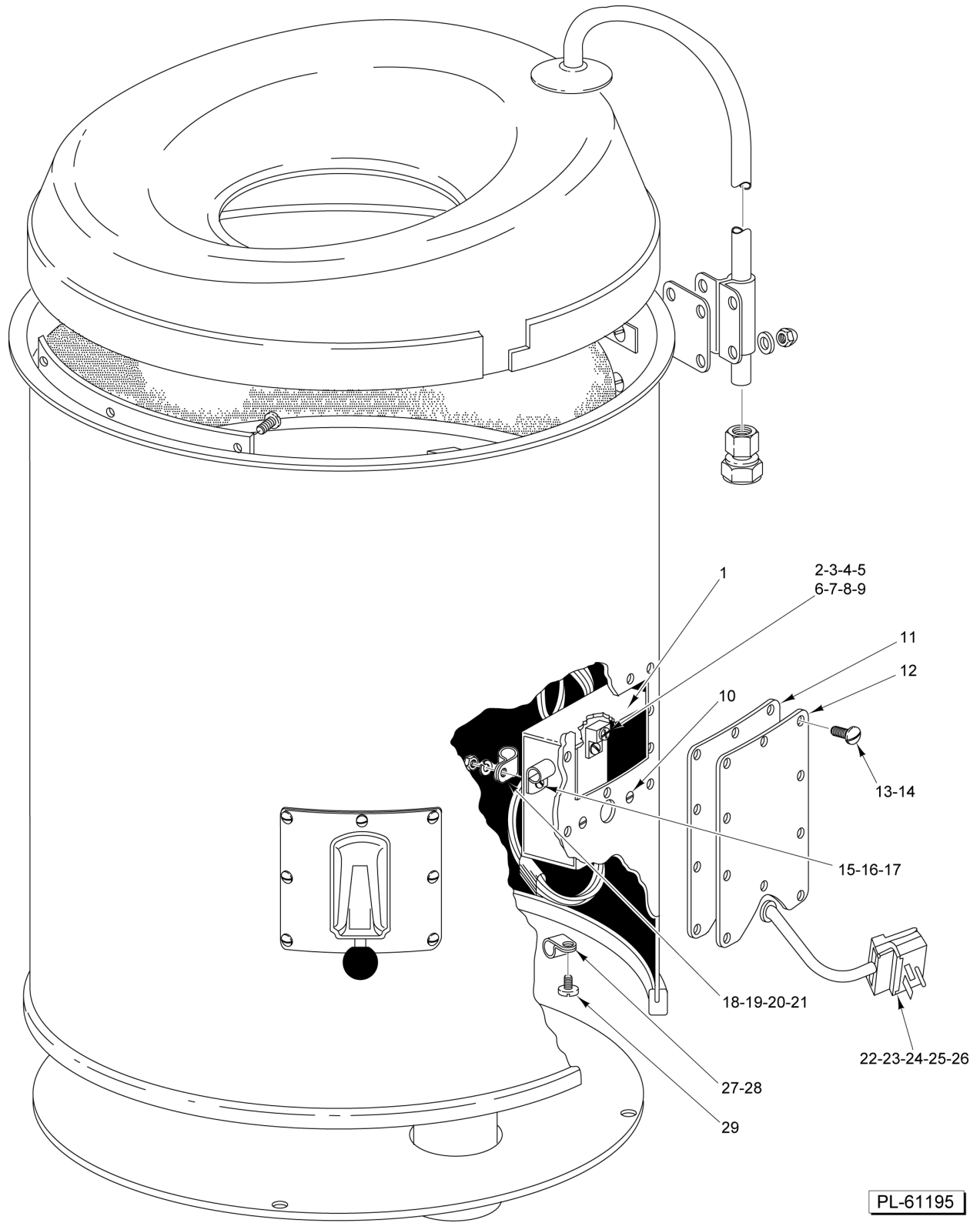
* On machines built before March, 7 2006, order item 12



CONTROLS UNIT

CONTROLS UNIT

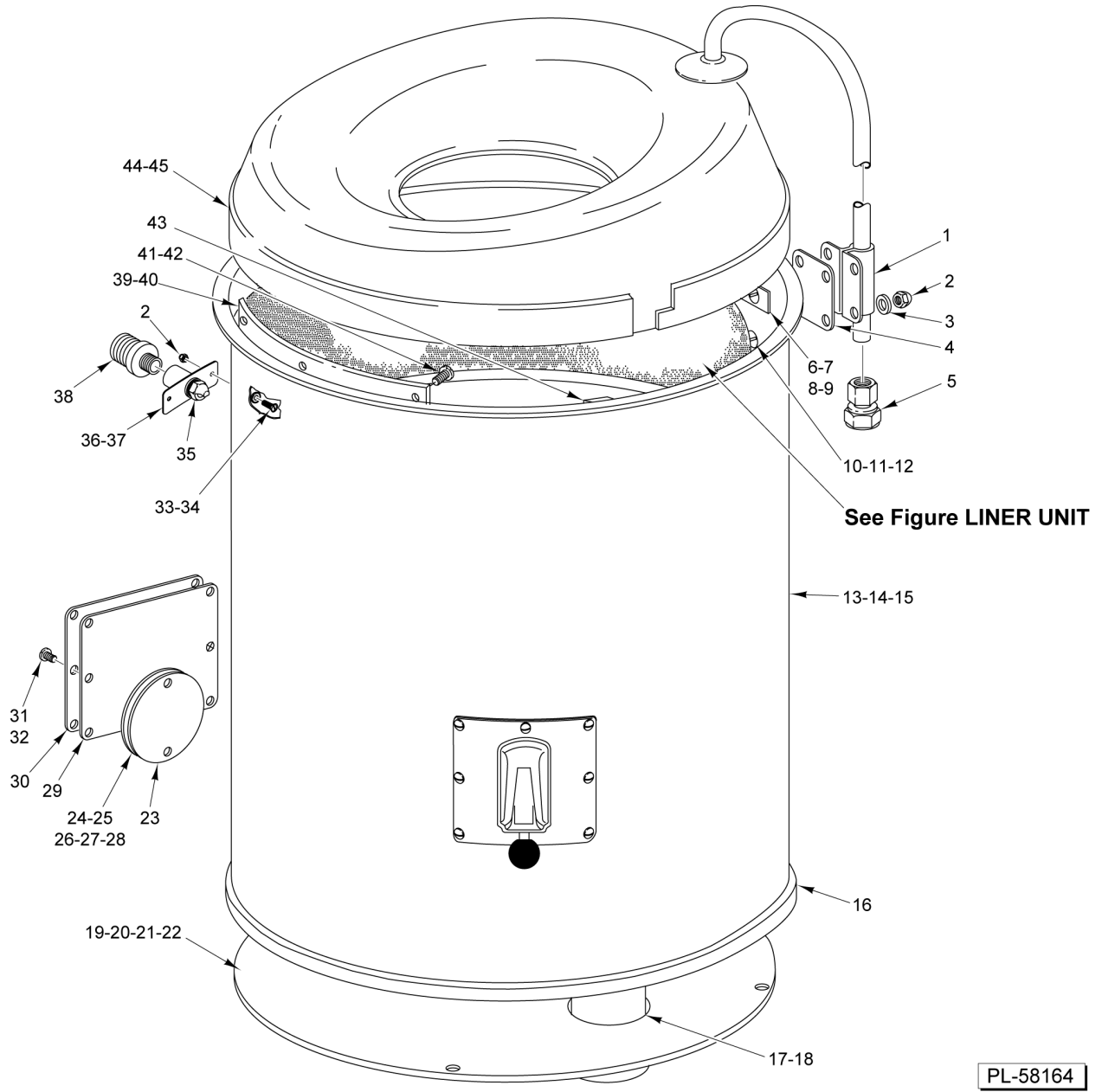
ILLUS.	PART NO.	NAME OF PART	AMT.
PL-58163			
1	00-437275	Hasp Weldment (6460C).....	1
2	00-437274	Cover - Hinge & Latch Assy. (6460C).....	1
3	SD-033-44	Self-Tapping Screw 8-18 x 5/16 Slotted Pan Hd., Type B.....	8
4	SD-037-78	Self-Tapping Screw 8-18 x 3/8 Hex Button Hd., Type AB (SST) (6430C/6460C).....	8
5	SC-128-62	Mach. Screw 10-24 x 1/2 Tx. Button Hd. (SST) (6460C/6460CT).....	8
6	00-105197	Knob - Switch Rod.....	1
7	00-121559	Sleeve - Actuating Rod.....	1
8	00-105150	Housing - Switch Seal.....	1
9	00-124635	Gasket - Switch Housing.....	1
10	00-875609	Rod - Switch (SST).....	1
11	SD-015-41	Self-Tapping Screw 8-32 x 1/2 Phil. Pan Hd., Type TT.....	2
12	00-875176	Switch (1 Ph.) (For Toggle-Switch Type).....	1
13	00-875174	Switch (3 Ph.) (For Toggle-Switch Type).....	1
14	00-066003	Bag - Protective.....	1
15	00-501046	Bag - Plastic (6430/6460).....	1
16	00-065539	Tie - Plastic Bag.....	1
17	00-944088	Cover - Switch.....	1
18	00-087711-212-1	Switch (1 Ph.) (For Light-Switch Type).....	1
19	00-087711-206-1	Switch (3 Ph.) (For Light-Switch Type).....	1
20	00-946602	Rod - Switch (6460M, ML-136243).....	1
21	NS-032-01	Stop Nut 10-24 Flexloc (6460C/6460CT).....	8
22	00-875166	Cover - Switch.....	1
23	00-875166-00002	Cover - Switch (6460C).....	1
24	00-124528	Gasket - Cover.....	1
25	00-875170	Switch Assy. (3 Ph.) (6430/6460) (Incls. Items 5 thru 10, 13 thru 17, and 20).....	1
26	00-875170-00002	Switch Assy. (3 Ph.) (6460C) (Incls. Items 5 thru 10, 13, 14, 15, 18, and 20).....	1
27	00-875210	Switch Assy. (1 Ph.) (6460M) (Incls. Items 5 thru 10, 12, 14, 15, 17, and 20).....	1
28	00-944091	Switch Assy. (6460M, ML-136243).....	1



ELECTRICAL COMPONENTS

ELECTRICAL COMPONENTS

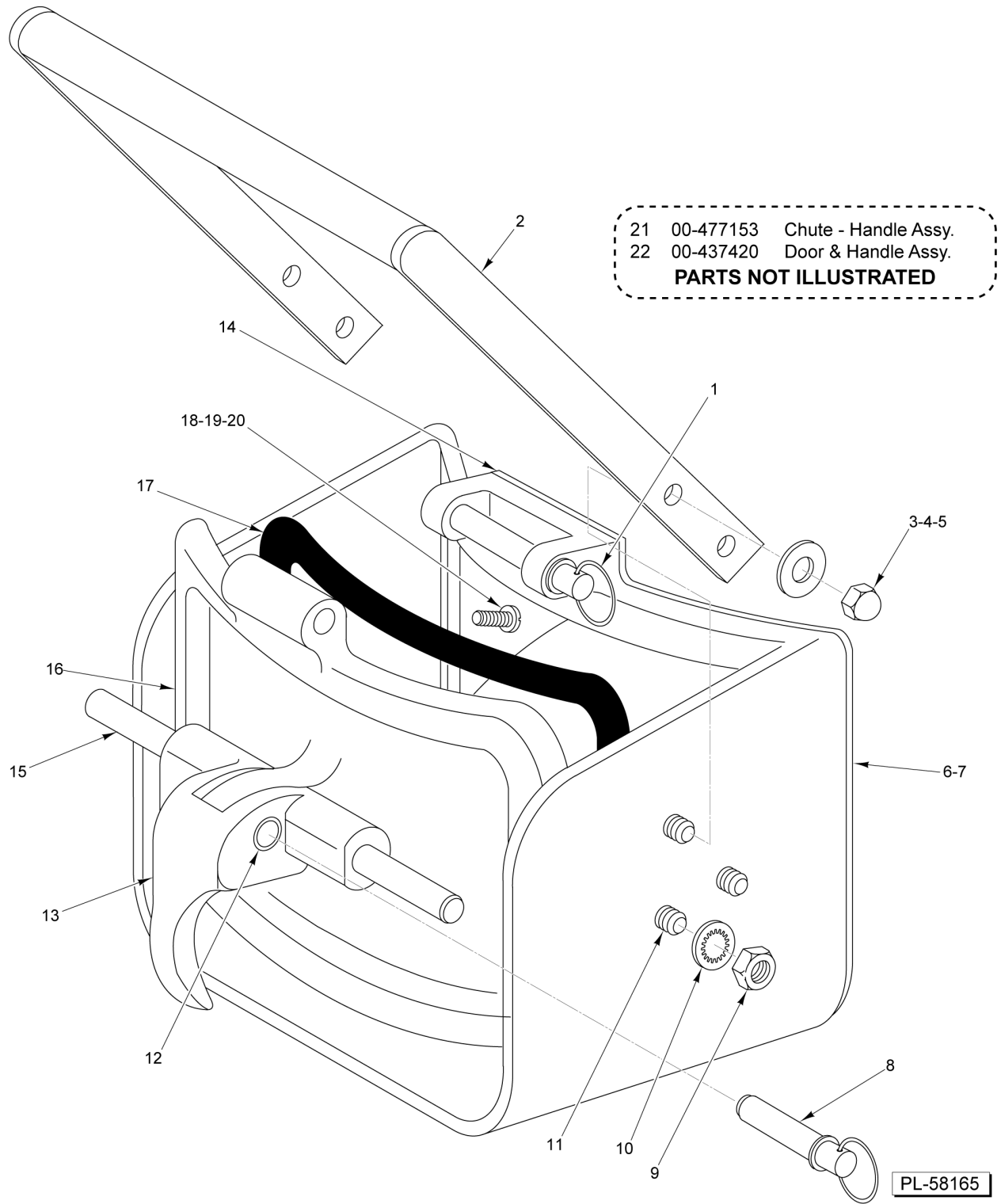
ILLUS.	PART NO.	NAME OF PART	AMT.
PL-61195			
1	00-290497	Bracket - Wire Clamp.....	1
2	00-118544-00001	Lug - Solderless.....	1
3	SC-008-41	Mach. Screw 10-32 x 1/2 Slotted Rd. Hd.....	1
4	WL-007-12	Lockwasher #10 External Shakeproof.....	1
5	NS-009-30	Nut 10-32 Hex.....	1
6	SC-027-28	Mach. Screw 8-32 x 1/4 Slotted Rd. Hd. (Brass).....	6
7	SC-027-29	Mach. Screw 8-32 x 3/8 Slotted Rd. Hd. (Brass).....	1
8	WL-010-01	Lockwasher #8 External Shakeproof.....	1
9	NS-010-11	Nut 8-32 Hex (Brass).....	1
10	SC-022-09	Mach. Screw 8-32 x 1/2 Slotted Flat Hd. (SST).....	2
11	00-124527	Gasket - Junction Box Cover.....	1
12	00-124525	Cover - Junction Box.....	1
13	SD-033-44	Self-Tapping Screw 8-18 x 5/16 Slotted Pan Hd., Type B.....	AR
14	SD-037-78	Self-Tapping Screw 8-18 x 3/8 Hex Button Hd., Type AB (SST) (6430C/6460C).....	AR
15	00-078752-00011	Clamp.....	1
16	00-078752-00006	Clamp.....	1
17	SC-081-17	Mach. Screw 10-32 x 1 Slotted Rd. Hd. (SST).....	1
18	00-078752-00004	Retainer (7/16 In.).....	3
19	00-078752-00006	Clamp.....	1
20	WL-007-12	Lockwasher #10 External Shakeproof.....	1
21	NS-009-30	Nut 10-32 Hex.....	1
22	00-477598	Plug Cord (1 Ph.) (6460M).....	1
23	00-117612-00018	Plug Cord (3 Ph.) (6460M).....	1
24	FE-023-40	Strain Relief - Electrical (1 Ph.) (6460M).....	1
25	FE-015-38	Strain Relief (3 Ph.) (6460M).....	1
26	FE-009-32	Wire Nut (18-12 Ga.).....	AR
27	00-078752-00004	Retainer (7/16 In.).....	2
28	00-078752-00010	Clamp - Retaining.....	1
29	SC-009-65	Mach. Screw 8-32 x 1/4 Slotted Rd. Hd.....	2



HOUSING UNIT

HOUSING UNIT

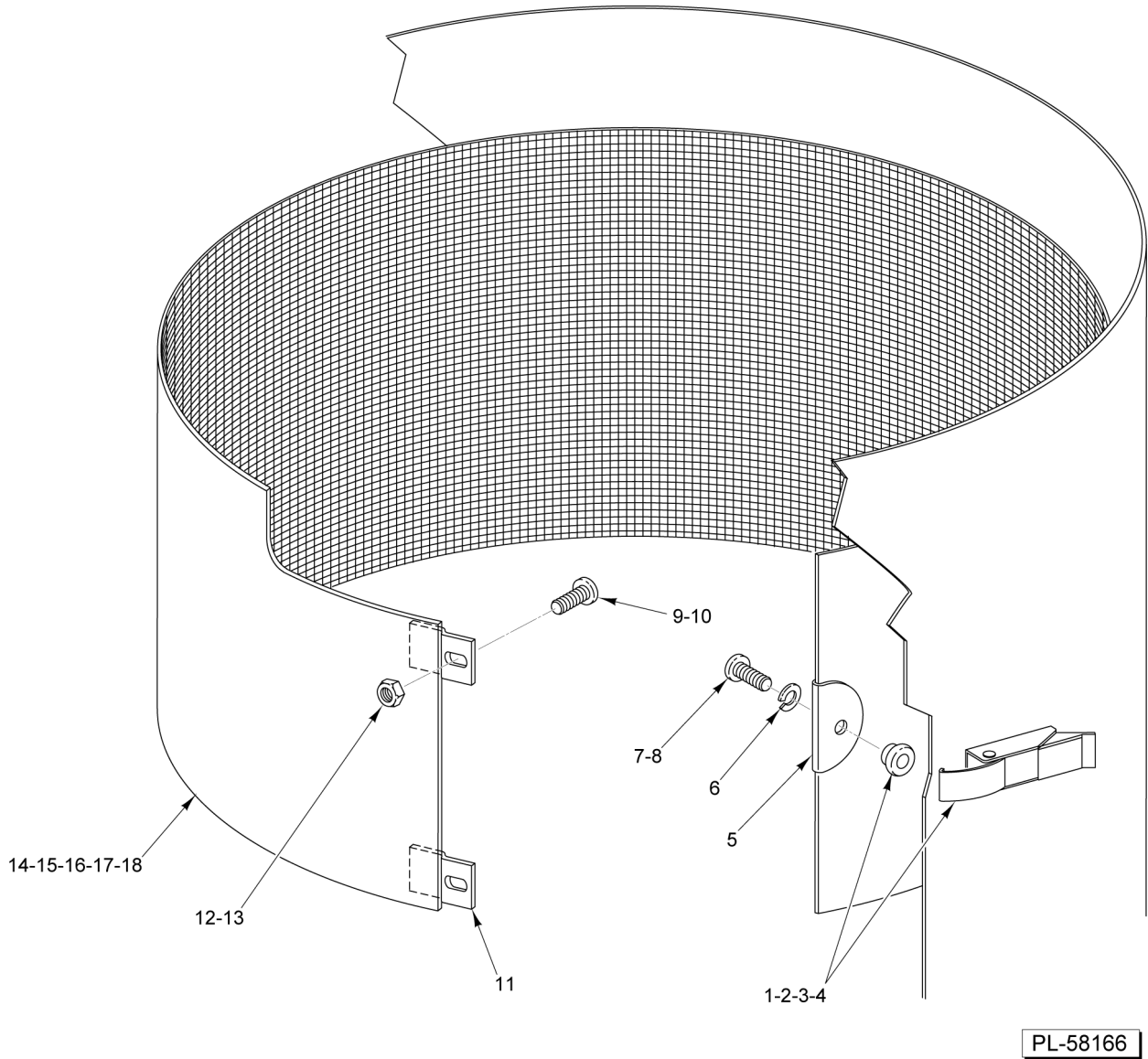
ILLUS.	PART NO.	NAME OF PART	AMT.
1	00-078115	Fill Tube & Bracket Assy.....	1
2	NS-025-01	Crown Nut 10-24 (SST).....	6
3	WS-002-30	Washer (Fiber).....	AR
4	00-078105	Gasket - Fill Tube.....	1
5	00-069903-00002	Coupling (1/2 Female Pipe x 5/8 Tube).....	1
6	SC-022-18	Mach. Screw 10-24 x 7/16 Slotted Flat Hd. (SST).....	2
7	SC-129-04	Mach. Screw 10-24 x 3/8 Tx. Flat Hd. (SST) (6460C/6460CT).....	2
8	SC-122-14	Mach. Screw 10-24 x 3/8 Hex Flat Hd. (SST) (6430C).....	2
9	00-124518	Bracket - Support.....	1
10	SC-025-07	Mach. Screw 10-24 x 5/16 Slotted Bndg. Hd. (SST).....	2
11	SC-128-69	Mach. Screw 10-24 x 3/8 Tx. Button Hd. (6460C/6460CT).....	2
12	SC-121-94	Mach. Screw 10-24 x 3/8 Hex Button Hd. (SST) (6430C).....	2
13	00-124697-00001	Housing - Formed (6430).....	1
14	00-124697-00002	Housing - Formed (6460/6460M).....	1
15	00-124697-00003	Housing - Formed (6460C).....	1
16	00-062635-00002	Base - Rubber.....	1
17	00-082437	Hose - Drain.....	1
18	00-089977	Clamp - Hose.....	1
19	00-078138	Plate - Bottom Cover.....	1
20	SC-041-10	Cap Screw 5/16-18 x 5/8 Hex Hd. (SST).....	4
21	WL-006-22	Lockwasher 5/16 Light (SST).....	4
22	NS-018-06	Jam Nut 5/16-18 Hex (SST).....	8
23	00-124529	Gasket - Reset Cover.....	1
24	00-124526	Plate - Blank Cover.....	1
25	00-070641-00018	Thumb Screw.....	2
26	NS-031-08	Stop Nut 8-32 Special (SST).....	1
27	SC-121-71	Mach. Screw 8-32 x 3/8 Tx. Button Hd. (6460CT).....	2
28	SC-121-92	Mach. Screw 8-32 x 3/8 Tx. Button Hd. (SST) (6460C).....	2
29	00-124528	Gasket - Cover.....	1
30	00-124522	Cover - Blank.....	1
31	SD-033-44	Self-Tapping Screw 8-18 x 5/16 Slotted Pan Hd., Type B.....	8
32	SD-039-29	Self-Tapping Screw 8-18 x 3/8 Tx. Button Hd., Type AB (SST) (6460C/6460CT).....	18
33	WS-002-30	Washer (Fiber) (6460M).....	2
34	SC-022-18	Mach. Screw 10-24 x 7/16 Slotted Flat Hd. (SST) (6460M).....	2
35	00-477601	Nozzle - Spray (6460M).....	1
36	00-477603	Bracket - Water Inlet (6460M).....	1
37	00-477606	Gasket - Water Inlet (6460M).....	1
38	FP-087-68	Fitting - Hose 3/4 Male to 3/8 MPT.....	1
39	00-124754-00001	Reinforcement - Hopper (6430).....	1
40	00-124754-00002	Reinforcement - Hopper (6460).....	1
41	SC-053-06	Mach. Screw 10-24 x 5/8 Slotted Truss Hd. (SST).....	3
42	SC-129-05	Mach. Screw 10-24 x 5/8 Tx. Button Hd. (SST) (6460CT/6460C).....	3
43	00-077914	Pad - Hopper Top Locking.....	2
44	00-077919	Top - Hopper.....	1
45	00-891508-00002	Top - Hopper (6460M).....	1



CHUTE UNIT

CHUTE UNIT

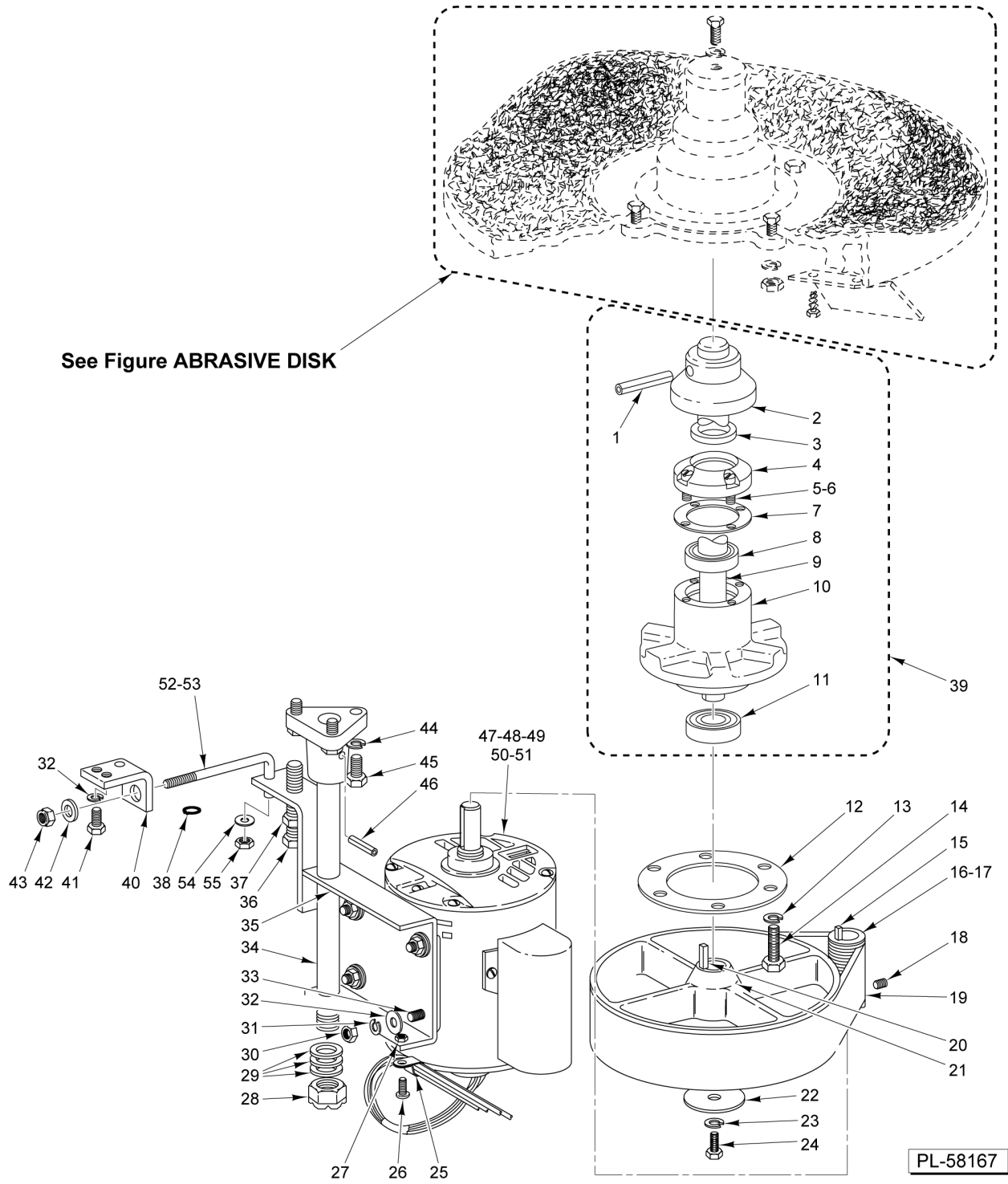
ILLUS.	PART NO.	NAME OF PART	AMT.
PL-58165			
1	00-292011-00001	Pin - Lock.....	1
2	00-477154	Handle (6460M/6460MT).....	1
3	SC-041-02	Cap Screw 1/4-20 x 1 Hex Hd. (SST) (6460M/6460MT).....	4
4	WS-017-08	Washer (0.328 x 0.625 x 0.062) (SST) (6460M/6460MT).....	8
5	NS-025-04	Crown Nut 1/4-20 (SST) (6460M/6460MT).....	4
6	00-477157	Chute (6460M/6460MT).....	1
7	00-077981	Chute.....	1
8	00-292011-00003	Pin - Lock.....	1
9	NS-018-06	Jam Nut 5/16-18 Hex (SST).....	2
10	WL-008-22	Lockwasher 5/16 Internal Shakeproof.....	2
11	00-064200-00002	Stud - Latch.....	2
12	00-078145	Bushing - Chute Door.....	1
13	00-437455	Handle - Locking Assy. (Incls. Item 16).....	1
14	00-078114	Gasket - Chute.....	1
15	00-290338	Shaft - Door Locking.....	2
16	00-078148	Chute Door - Bushing & Seal Assy. (Incls. Item 18).....	1
17	00-062372-00002	Seal - Chute Door.....	1
18	SC-112-77	Mach. Screw 10-24 x 7/16 Slotted Pan Hd. (SST).....	8
19	SC-121-94	Mach. Screw 10-24 x 3/8 Hex Button Hd. (SST) (6430C/6430CT).....	8
20	SC-128-69	Mach. Screw 10-24 x 3/8 Tx. Button Hd. (6460C/6460CT).....	8
21	00-477153	Chute - Handle Assy. (Incls. Items 2 & 4 thru 7) (6460M/6460MT).....	1
22	00-437420	Door & Handle Assy. (Incls. Items 9, 14, & 17).....	1



LINER UNIT

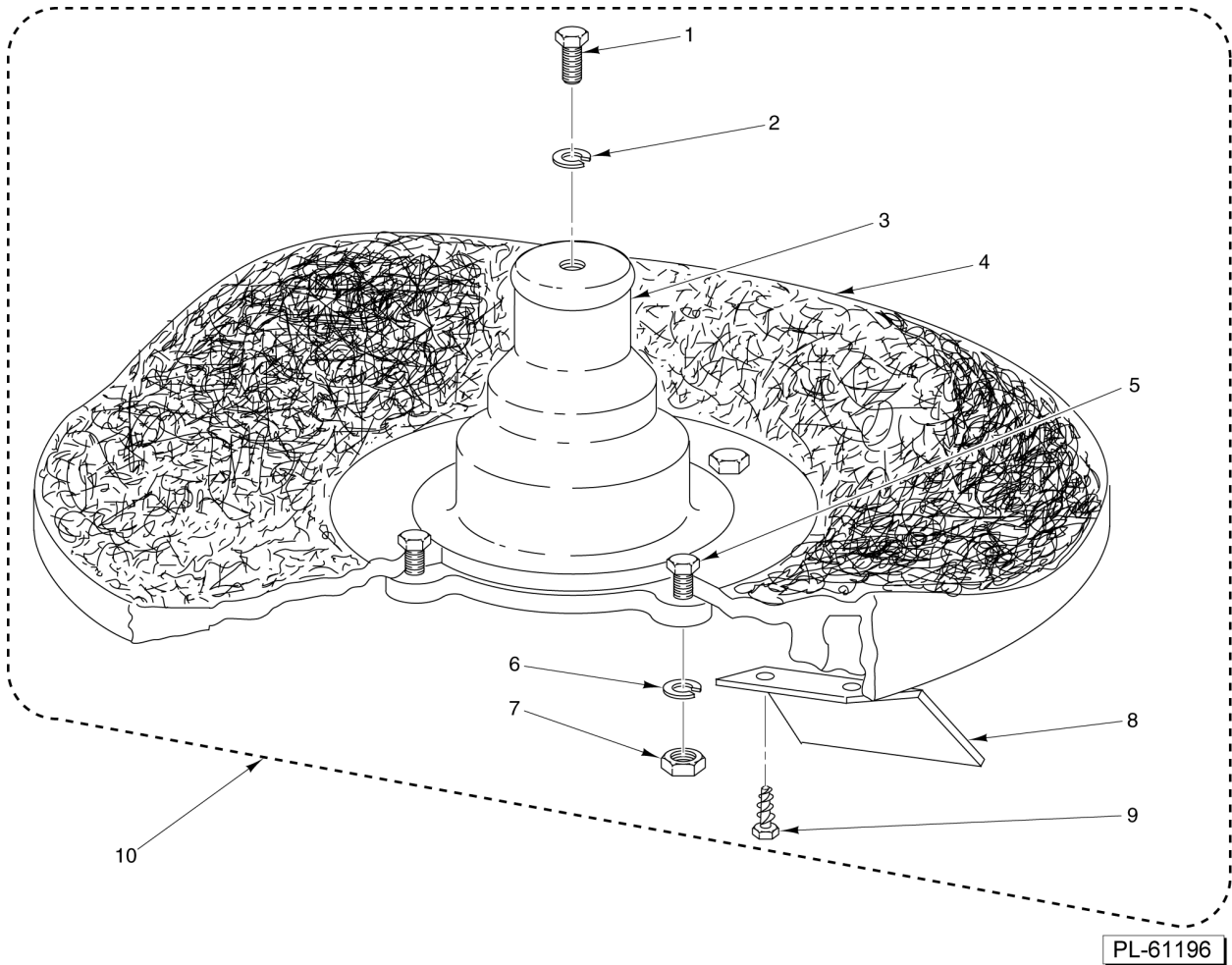
LINER UNIT

ILLUS.	PART NO.	NAME OF PART	AMT.
PL-58166			
1	00-479480	Latch - Keeper & Draw.....	1
2	SC-127-84	Mach. Screw 8-32 x 5/16 Phil. Rd. Hd. (SST).....	2
3	SC-128-73	Mach. Screw 8-32 x 1/4 Tx. Button Hd. (SST) (6430C/6430CT/6460C/6460CT).....	2
4	NS-031-08	Stop Nut Special 8-32 ESNA (SST).....	2
5	00-479473	Bracket - Liner.....	1
6	WL-006-11	Lockwasher #12 Light (SST).....	1
7	SC-066-26	Mach. Screw 12-24 x 1/2 Phil. Truss Hd. (SST).....	1
8	SC-121-94	Mach. Screw 10-24 x 3/8 Button Hd. (6430C/6430CT/6460C/6460CT).....	1
9	SC-109-62	Mach. Screw 10-24 x 3/8 Slotted Pan Hd. (SST).....	2
10	SC-121-94	Mach Screw 10-24 x 3/8 Hex Button Hd. (SST) (6430C/6430CT/6460C/6460CT).....	2
11	00-479475	Bracket - Liner LH.....	2
12	NS-025-01	Crown Nut 10-24 (SST).....	2
13	NS-031-15	Stop Nut 10-24 (SST).....	2
14	00-479494-00002	Liner Service Assy. (6430/6430T) (Incls. Hardware).....	1
15	00-479494-00003	Liner Service Assy. (6460/6460T) (Incls. Hardware).....	1
16	00-479494-00004	Liner Service Assy. (6460M) (Incls. Hardware).....	1
17	00-479494-00005	Liner Service Assy. (6430C/6430CT) (Incls. Hardware).....	1
18	00-479494-00006	Liner Service Assy. (6460C/6460CT) (Incls. Hardware).....	1



DRIVE UNIT

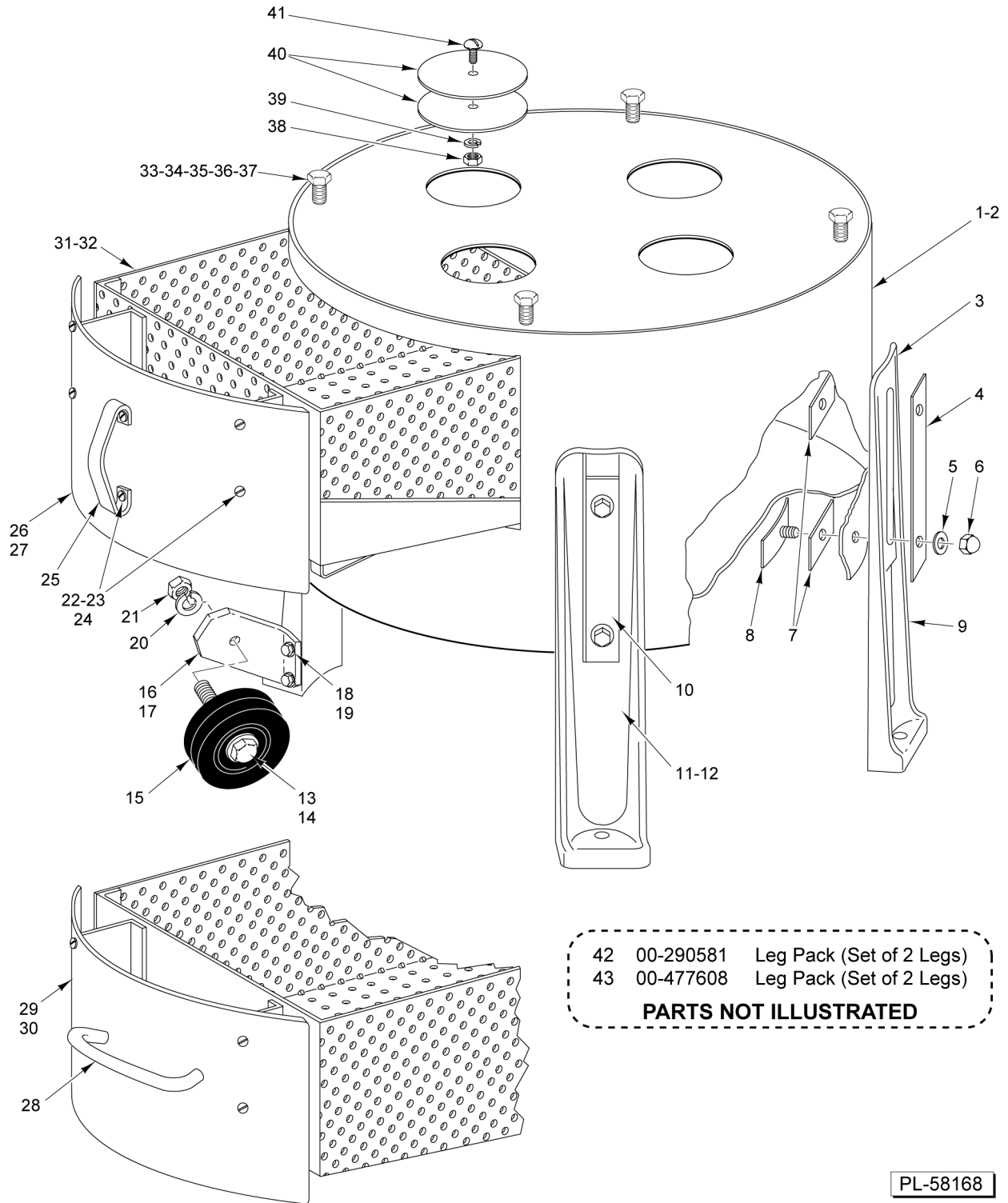
ILLUS.	PART NO.	NAME OF PART	AMT.
PL-58167			
1a	PS-003-40	Spiral Pin 3/8 Dia. x 2-1/4 Lg. (SST) (Before 5/19/2022).....	1
1b	PG-011-52	Pin, Grooved 3/8 (Used on Shaft 00-938847 after 5/19/2022).....	1
2	00-077960	Flinger.....	1
3	00-077483	Seal - Drive Shaft (Supers. to 00-938735 after 5/19/22).....	1
4	00-077979	Retainer - Bearing.....	1
5	SC-012-36	Mach. Screw 10-24 x 3/4 Slotted Fil. Hd.....	4
6	WL-003-20	Lockwasher #10 Light.....	4
7	00-078106	Gasket - Bearing Retainer.....	1
8	BB-015-08	Bearing - Ball.....	1
9	00-077965	Shaft - Drive (Supers. to 00-939847 and PG-011-52 after 5/19/22).....	1
10	00-077978	Support - Drive Shaft.....	1
11	BB-005-34	Ball Bearing.....	1
12	00-078110	Gasket - Support Hub.....	1
13	WL-004-03	Lockwasher 3/8 Medium.....	6
14	SC-036-57	Cap Screw 3/8-16 x 1-1/4 Hex Hd.....	6
15	00-012430-00064	Key.....	1
16	00-077989	Pulley - Motor (60 Hz.).....	1
17	00-081356	Pulley - Motor (50 Hz.).....	1
18	SC-047-12	Set Screw 1/4-20 x 3/8 Hex Hdls., Knife Cup Pt.....	1
19	00-078094	Belt - Drive.....	1
20	00-012430-00148	Key.....	1
21	00-077962	Pulley - Drive.....	1
22	WS-005-08	Washer 0.344 x 1.375 x 0.125.....	1
23	WL-007-19	Lockwasher 5/16 External Shakeproof.....	1
24	SC-036-25	Cap Screw 5/16-18 x 3/4 Hex Hd.....	1
25	00-078752-00004	Clamp - Motor Lead.....	1
26	SC-007-42	Mach. Screw 8-32 x 1/2 Slotted Rd. Hd.....	1
27	NS-009-12	Nut 8-32 Hex.....	1
28	NS-031-41	Stop Nut 3/4-16 Hex Elastic.....	1
29	WS-012-41	Washer (0.797 x 1.125 x 0.062).....	AR
30	NS-013-11	Nut 5/16-18 Hex Fin.....	4
31	WL-003-43	Lockwasher 5/16 Light.....	4
32	WS-005-05	Washer 0.344 x 0.750 x 0.062.....	4
33	SC-036-25	Cap Screw 5/16-18 x 3/4 Hex Hd.....	4
34	00-077964-00001	Shaft - Motor Mount.....	1
35	00-077993	Motor Mounting Bracket Assy.....	1
36	SC-111-75	Cap Screw 3/8-16 x 3-1/2 Hex Hd. (Thd. to Hd.).....	1
37	NS-013-22	Nut 3/8-16 Hex.....	1
38	RR-007-10	Retaining Ring (Previous Construction).....	1
39	00-078240	Vertical Drive Assy. (Incls. Items 1b thru 11)(Supers. to 00-938846 after 5/19/22).....	1
40	00-077988	Bracket - Belt Tightener.....	1
41	SC-090-07	Cap Screw 5/16-24 x 5/8 Hex Hd.....	2
42	WS-004-25	Washer 0.328 x 0.750 x 0.062.....	1
43	NS-032-12	Stop Nut 5/16-18 Flexloc.....	1
44	WL-003-44	Lockwasher 5/16 Helical.....	3
45	SC-090-08	Cap Screw 5/16-24 x 1 Hex Hd.....	3
46	PS-003-24	Spiral Pin 1/4 Dia. x 1 1/2 Lg.....	1
47	00-875503-00001	Motor (115/200-230 V., 60 Hz., 1 Ph.).....	1
48	00-875504-00001	Motor (200-230/460 V., 60 Hz., 3 Ph.).....	1
49	00-278172-00002	Motor (115/200-240 V., 50 Hz., 1 Ph.).....	1
50	SD-015-39	Self-Tapping Screw 8-32 x 1/4 Phil. Pan Hd., Type TT.....	1
51	WL-007-07	Lockwasher #8 External Shakeproof.....	1
52	00-077987-00001	Tightener - Belt (Previous Construction).....	1
53	00-938615-00001	Belt Tightener Assy. (Incls. Items 54 & 55) (Current Construction).....	1
54	WS-005-42	Washer (Current Construction).....	1
55	NS-032-12	Stop Nut 5/16-18 Flexloc (Current Construction).....	1
	00-985448	Drive Rebuild Kit (Incls. Items 1b, 2-5, 7-9, 11, 20).....	1



ABRASIVE DISK

ABRASIVE DISK

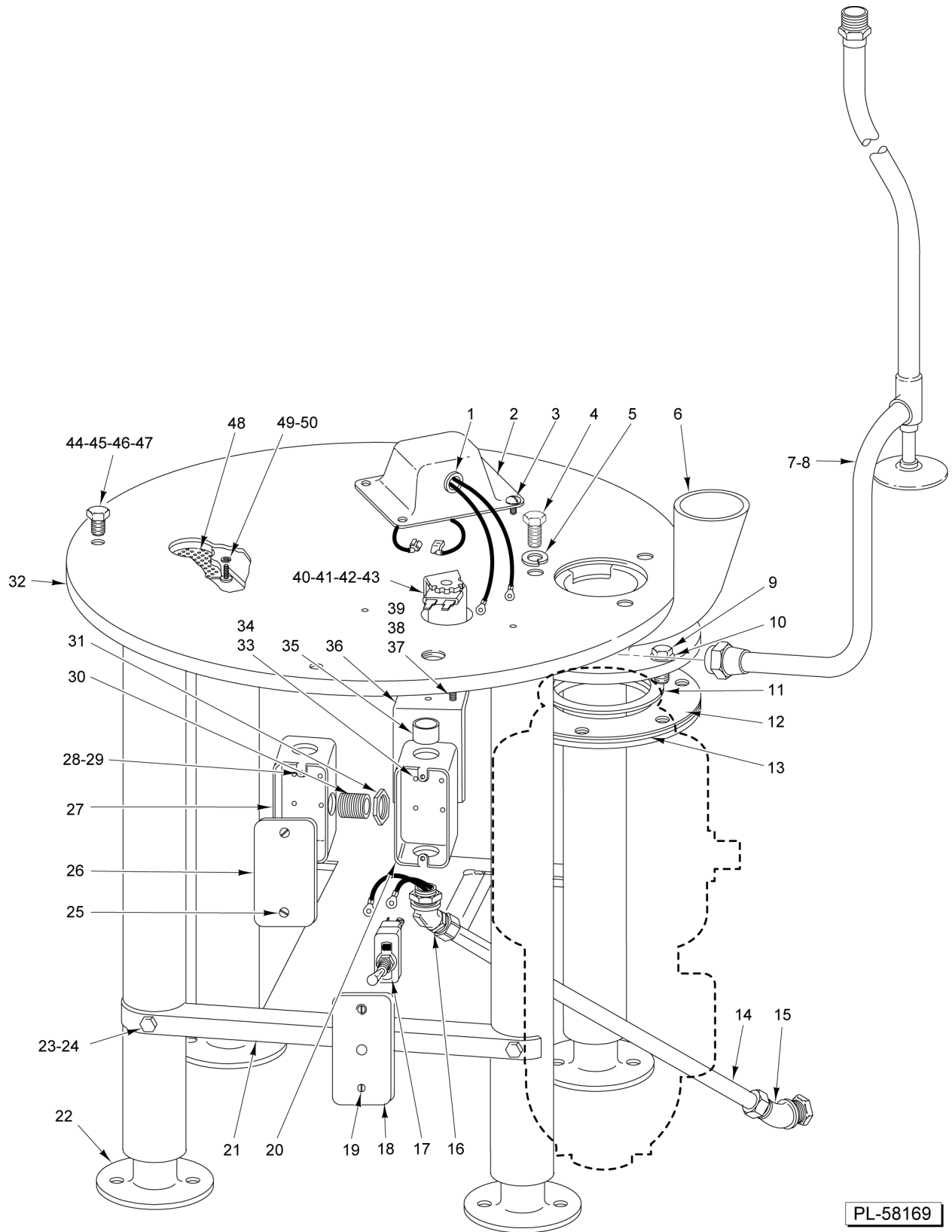
ILLUS.	PART NO.	NAME OF PART	AMT.
PL-61196			
1	SC-049-09	Screw 5/16-18 x 5/16 Slotted Hdls., Oval Pt. (SST).....	1
2	00-070706-00002	Washer - Sealer.....	1
3	00-078154	Drive Hub & Liner Assy.....	1
4	00-078198	Abrasive Disc (Disc Only).....	1
5	SC-041-31	Cap Screw 3/8-16 x 1-1/4 Hex Hd. (SST).....	4
6	WL-006-27	Lockwasher 3/8 Helical (SST).....	4
7	NS-018-14	Jam Nut 3/8-16 Hex (SST).....	4
8	00-078109	Wiper - Hopper.....	2
9	SD-009-16	Self-Tapping Screw 1/4-20 x 3/4 Slotted Hex Hd., Type F.....	4
10	00-123730	Hub Disc Assy. (Incls. Items 1 thru 9).....	1



PEEL TRAP UNIT

PEEL TRAP UNIT

ILLUS.	PART NO.	NAME OF PART	AMT.
1	00-077938-00001	Peel Trap Assy. (6430).....	1
2	00-077938-00002	Peel Trap Assy. (6460).....	1
3	00-077963	Leg - Peel Trap.....	4
4	00-077990	Cover - Leg Slot.....	4
5	WS-006-44	(SST).....	8
6	NS-025-16	Crown Nut 3/8-16 (SST).....	8
7	00-062601-00002	Gasket - Leg Screw.....	8
8	00-077620	Inside Leg Clamp and Bolt Assy.....	8
9	00-477152-00001	Leg - Peel Trap (Without Caster) (6460M/6460MT).....	2
10	00-477599	Cover - Leg Slot (6460M/6460MT).....	4
11	00-477152-00002	Leg - Peel Trap LH (With Caster) (6460M/6460MT).....	1
12	00-477152-00003	Leg - Peel Trap RH (With Caster) (6460M/6460MT).....	1
13	00-477151	Axle - Wheel Mounting (6460M/6460MT).....	2
14	WS-024-08	Washer (SST) (6460M/6460MT).....	2
15	00-477600	Caster (6460M/6460MT).....	2
16	00-477150-00001	Bracket - Wheel Mounting LH (6460M/6460MT).....	1
17	00-477150-00002	Bracket - Wheel Mounting RH (6460M/6460MT).....	1
18	SC-041-10	Cap Screw 5/16-18 x 5/8 Hex Hd. (SST) (6460M/6460MT).....	4
19	WL-006-22	Lockwasher 5/16 Light (SST) (6460M/6460MT).....	4
20	WL-006-28	Lockwasher 3/8 Helical (SST) (6460M/6460MT).....	2
21	NS-015-13	Nut 3/8-16 Hex (SST) (6460M/6460MT).....	2
22	SC-053-05	Mach. Screw 10-24 x 3/8 Slotted Truss Hd. (SST).....	6
23	SC-121-34	Mach. Screw 1/4-20 x 2 Hex Button Hd. (SST) (6430C/6430CT/6460C/6460CT).....	6
24	NS-031-15	Stop Nut 10-24 Hex (SST).....	4
25	00-111303-00002	Handle - Strainer Door (Previous Construction).....	1
26	00-078080-00001	Strainer Door & Support (6430) (Previous Construction).....	1
27	00-078080-00002	Strainer Door & Support (6460) (Previous Construction).....	1
28	00-478486	Handle - Strainer Door.....	1
29	00-478484-00001	Strainer Door & Support (6430).....	1
30	00-478484-00002	Strainer Door & Support (6460) (Current Construction).....	1
31	00-478490-00001	Basket - Peel Trap Strainer Assy. (6430 Series).....	1
32	00-478490-00002	Basket - Peel Trap Strainer Assy. (6460 Series).....	1
33	SC-113-18	Mach. Screw 5/16-18 x 1-1/4 Hex Hd. (SST).....	4
34	WL-006-22	Lockwasher 5/16 Light (SST).....	4
35	WS-017-08	Washer (0.328 x 0.625 x 0.062) (SST).....	4
36	NS-018-06	Jam Nut 5/16-18 Hex (SST).....	4
37	NS-015-11	Nut 5/16-18 Hex (SST).....	4
38	NS-011-18	Nut 10-24 Hex (SST).....	3
39	WL-006-07	Lockwasher #10 Helical (SST).....	3
40	00-079414	Disc - Cover.....	6
41	SC-021-23	Mach. Screw 10-24 x 1/2 Slotted Rd. Hd. (SST).....	3
42	00-290581	Leg Pack (Set of 2 Legs) (Incls. Items 3 & 4) (6460).....	2
43	00-477608	Leg Pack (Set of 2 Legs) (Incls. Items 9 thru 12) (6460M).....	2



PL-58169

**DISPOSER STAND UNIT
(1 PHASE)**

**DISPOSER STAND UNIT
(1 PHASE)**

ILLUS.	PART NO.	NAME OF PART	AMT.
PL-58169			
1	00-080369	Bushing - Snap.....	1
2	00-081411	Cover - Fill Valve.....	1
3	SD-034-59	Self-Tapping Screw 10-32 x 3/8 Phil. Pan Hd., Type T.....	2
4	SC-062-42	Cap Screw 3/8-16 x 1 Hex Hd.....	3
5	WL-004-04	Lockwasher 3/8 Helical.....	3
6	00-078527	Flange - Disposer.....	1
7	00-078580-00001	Water Inlet Tubing Assy. (6430).....	1
8	00-078580-00002	Water Inlet Tubing Assy. (6460).....	1
9	SC-037-75	Cap Screw 5/16-18 x 3/4 Hex Hd.....	6
10	WL-003-41	Lockwasher 5/16 Light.....	6
11	00-080925	Gasket - Sink Flange.....	1
12	00-080288	Gasket - Adapter Plate.....	1
13	00-116852-00004	Ring - Adapter.....	1
14	00-068190-00025	Conduit 3/8 x 16 (Waterproof).....	1
15	FE-007-02	Connector 45 Deg. Sealtite (1/2 Male Thd. x 3/8 Flex. Cnd.).....	1
16	FE-007-02	Connector 45 Deg. Sealtite (1/2 Male Thd. x 3/8 Flex. Cnd.).....	1
17	00-087711-145-1	Switch - Toggle (With Nuts).....	1
18	FE-022-38	Cover - Junction Box.....	1
19	SC-015-20	Mach. Screw 8-32 x 3/8 Slotted Oval Hd.....	2
20	FE-003-19	Box - Junction.....	1
21	00-290525	Leg Support Assy.....	1
22	00-290926	Foot - Adjustable.....	4
23	SC-041-12	Cap Screw 5/16-18 x 7/8 Hex Hd. (SST).....	4
24	00-080283	Rivnut 5/16-18.....	4
25	SC-015-20	Mach. Screw 8-32 x 3/8 Slotted Oval Hd.....	2
26	FE-004-24	Cover - Junction Box.....	1
27	FE-003-19	Box - Junction.....	1
28	SC-018-20	Mach. Screw 10-24 x 1/2 Slotted Pan Hd.....	1
29	WL-014-07	Lockwasher #10 External Shakeproof (SST).....	1
30	FE-005-02	Conduit 1/2 x 1-1/8 (RTFL).....	1
31	FE-006-07	Lock Nut 1/2 (Cnd.).....	4
32	00-290520	Top & Leg Assy. (Incls. Items 21, 23, & 24).....	1
33	SC-010-50	Mach. Screw 10-24 x 5/16 Slotted Truss Hd.....	2
34	WL-003-20	Lockwasher #10 Light.....	2
35	00-124317	Bushing - Insulating.....	1
36	00-078579	Bracket - Switch.....	1
37	SC-010-50	Mach. Screw 10-24 x 5/16 Slotted Truss Hd.....	2
38	WL-003-20	Lockwasher #10 Light.....	2
39	WS-019-06	Washer (SST).....	2
40	00-438812-00001	Fill Valve Assy. (115 V.).....	1
41	00-438812-00002	Fill Valve Assy. (240 V.).....	1
42	SC-010-50	Mach. Screw 10-24 x 5/16 Slotted Truss Hd.....	2
43	WL-003-20	Lockwasher #10 Light.....	2
44	SC-041-15	Cap Screw 5/16-18 x 1-1/4 Hex Hd. (SST).....	4
45	WL-006-22	Lockwasher 5/16 Light (SST).....	4
46	NS-018-06	Jam Nut 5/16-18 Hex (SST).....	4
47	NS-015-11	Nut 5/16-18 Hex (SST).....	4
48	00-078815	Screen - Air.....	1
49	SC-081-71	Mach. Screw 1/4-20 x 1/4 Slotted Rd. Hd.....	4
50	WS-003-49	Washer 0.266 x 0.563 x 0.062 (SST).....	4

