



MODEL

6430 POTATO PEELER

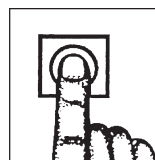
ML-136156

Page 1 - English

Page 21 - French

Page 41 - German

**INSTALLATION AND OPERATION MANUAL
MANUEL D'INSTALLATION ET D'UTILISATION
INSTALLATIONS- UND BEDIENUNGSANLEITUNG**



ENGLISH / CONTENTS

6430 CE Potato Peeler	Section	Page
Safety Information	1.0	3
Safety Guidelines	1.1	3
Warning Symbols	1.2	3
Liability	1.3	4
Foreword	2.0	4
General Information	3.0	4
Caring for Our Environment	4.0	4
Packaging Material	4.1	4
Disposal of Your Old Appliance	4.2	4
Safety Instruction	5.0	4
Never	5.1	5
Always	5.2	5
Using the Peeler	6.0	5
Operating for the First Time	6.1	6
Cleaning	6.2	7
Motor	6.3	8
Table 1 Technical Information	6.3.1	9
Unpacking and Handling	6.4	9
Installation	6.5	10
Location	6.6	10
Peeler Dimensions	6.6.1	11
Electrical Installation	6.7	12
Lexan Liner	6.8	13
Peel Trap	6.9	13
Operator Training	6.10	15
Peeler Maintenance	7.0	16
Lubrication	7.1	16
Fault Finding	7.2	16
Recommended Spares	8.0	17
Service Contact Numbers	9.0	18
Notes	10	19

1.0 SAFETY INFORMATION

The procedures and precautions contained in this manual are understood to apply to the machinery only when it is used in the prescribed manner. If the machinery is used other than in the recommended manner, the operator will be responsible for his/her own safety and for the safety of the other persons who may be involved.

The information in this manual has been prepared to assist the operator to understand, maintain and operate the peeler. In order to prevent accidents, read, understand and follow all the precautions and warnings contained in this manual before installation or operating for the first time. This manual must be studied to obtain a clear understanding of the peeler and its capabilities.

1.1 SAFETY GUIDELINES

Ensure sufficient precautions are observed during manual handling of the peeler, particularly when moving into position on the installation. Reference must be made to manual handling regulations.

- Do not pressure clean this appliance. It is vital to adhere to the cleaning instructions detailed in this manual.
- Do not remove any covers or loosen any fittings whilst the machine is operating.
- Ensure this manual is kept in an easily accessible place for future reference near the peeler.
- All operators must be trained in the safe operation of the peeler.
- Ensure the power supply has been disconnected before attempting to service or move the peeler.
- Rotating machinery and electricity are potentially hazardous and may cause injury if sufficient precautions are not taken prior to operating or servicing the machine.
- Always have your peeler regularly serviced; at least twice a year, depending on frequency of use.

1.2 WARNING SYMBOLS

To identify the safety messages in this manual, the following symbols have been used.

⚠ WARNING The “Warning” symbol is found primarily where the corresponding information is important for the safe use of the machinery.



The electrical hazard symbol is used when there are risks of an electrical nature. Prior to servicing the machinery, always disconnect the power from the mains supply.

1.3 LIABILITY

Installations and repairs which are not carried out by **Authorized technicians** or the use of other than original spare parts, and any **technical alterations** to the machine, **may affect the warranty set out in the standard conditions of sale.**

2.0 FOREWORD

Hobart reserves the right to alter the design of their products without prior notice. Whilst every effort is made to ensure this publication reflects the latest design, the Company cannot guarantee full compliance. Take pride in your 6430 Peeler - keep it clean and in good mechanical and electrical condition.

3.0 GENERAL INFORMATION

The information and instructions contained in this manual may not cover all details or variations in the equipment, nor provide for every eventuality to arise with installation, operation, or maintenance. If additional information is required, please contact your local Hobart office.

The peeler is fitted with a “no volt release” safety feature to prevent automatic restarting after a supply failure or disconnection from the mains.

4.0 CARING FOR OUR ENVIRONMENT

4.1 PACKAGING MATERIAL

The pallet and protective packing material have been selected from materials that are environmentally friendly for disposal or can be normally be recycled. Instead of throwing them away, please ensure they are recycled.



4.2 DISPOSAL OF YOUR OLD APPLIANCE

Old appliances contain materials that can be recycled. Please contact your local waste collection centre, scrap merchant or local Hobart office about potential recycling schemes.

5.0 SAFETY INSTRUCTIONS

A FULLY TRAINED AND COMPETENT PERSON MUST ONLY USE THE PEELER.

The following instructions must be observed when using the peeler.

NOTE: The peeler must only be used for the purpose it was designed and in line with the supplied operating instructions.

5.1 **NEVER**

- Operate the peeler or attachments if a fault develops or the peeler is unsafe.
- Wear loose clothing.
- Attempt to reach into the hopper when operating.
- Access rotating parts.
- Use excessive force when operating which could affect the stability of the peeler.
- Operate the peeler if parts are disassembled.
- Use the peeler in an unsafe condition.
- Clean the peeler with scouring powder or a scouring pad.

5.2 **ALWAYS**


- Use the peeler in a well-lit area.
- Disconnect the mains electricity supply before cleaning the peeler.
- Clean the peeler daily.
- Stop peeler before removing peeled product or adding more product.
- Use the stop button to stop machine.
- Clean the hopper after use.
- Clean the peeler using mild soap and water.
- Service the peeler at least twice a year depending on the frequency of use.
- Use the peeler as intended and in line with the operating instructions.

6.0 **USING THE PEELER**

The model 6430 Peeler is designed to peel 30 to 33 lbs (13.5 to 15.0 kg) of product in 1 to 3 minutes using a $\frac{3}{4}$ HP electric motor. The 6430 includes a 5-minute, synchronous timer which increments from $\frac{1}{2}$ to 5 minutes and uses single-phase or three-phase electrical service.

The peelers incorporate a reinforced peeling disc with abrasive permanently bonded to its surface and a Lexan Liner for the inside of the hopper. The timer is mounted on the right side of the discharge chute as standard but can be ordered on the left or changed in the field. The bottom of the peeler unit is cushioned with a rubber trim molding which also provides a seal.

Optional accessories include a peel trap, a portable stand and a peel trap basket.

 **WARNING** This peeler is only for professional use by suitably trained persons. Ensure operators have read and understood this manual and have received adequate training.

6.1 OPERATING FOR THE FIRST TIME

Prior to installation, test the electrical service to assure that it agrees with the specifications on the machine data plate.

Place the peeler on a suitable, sturdy, level surface. There should be adequate space around the peeler for the user to operate the controls.

⚠ WARNING This peeler is only for professional use by suitably trained persons. Ensure operators have read and understood this manual and have received adequate training.

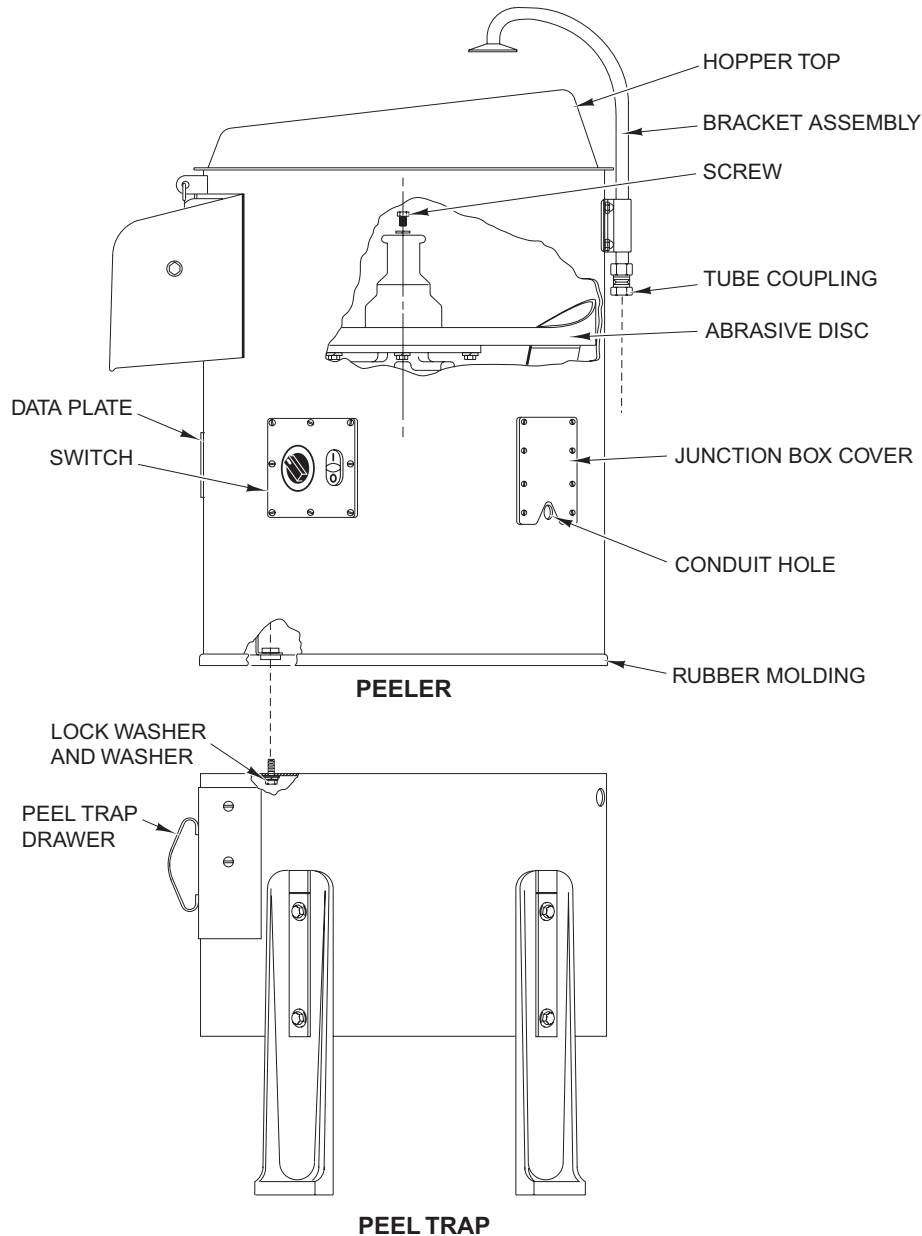


Fig. 1

Using the lugs on the hopper top (Fig. 1) as locators, position the hopper top on the housing and turn it clockwise into place.

Close and latch the discharge chute door.

Pour the product into the hopper. There should be room in the hopper for the product to move around while peeling. Do NOT overload the peeler; peeler capacities are 30 to 33 lbs (13.5 to 15.0 kg) maximum for the 6430.

Turn on the water supply. On units with a disposer, turn on the disposer switch (Fig. 1). This will open the valve.

Turn on the peeler. On units equipped with a timer, set the timer at the desired time.

Peeling times will vary depending on the type and condition of product. When the desired degree of peeling has been reached, turn off the water (or disposer where applicable). Place a container to catch the product under the discharge chute door.

NOTE: On units equipped with a timer, if the timer has expired, it will be necessary to reset the timer to allow enough time for the product to be discharged.

After the product has been completely discharged, turn off the peeler and it is ready for a repeat operation.

If the peeler is equipped with a peel trap, it will be necessary to empty the peel trap drawer occasionally (after a few batches).

6.2 CLEANING

⚠ WARNING Disconnect the mains electricity supply before cleaning or servicing this machine.

The peeler should be cleaned after the peeling operation has been completed.

As soon as the peeling has been completed and BEFORE the hopper has had time to dry, turn on the water and flush the interior of hopper. Turn off the water. Remove the hopper top and clean it in a sink.

Lift out the abrasive disc, which is not fastened to the shaft, and scrub it with a brush and mild soap. Clean the housing beneath the abrasive disc with mild soap and water.

Turn on the water and thoroughly clean the interior of the hopper using a mild soap and a brush. Rinse thoroughly.

NOTE: If the abrasive disc should stick and is NOT easily removed, it may be loosened by removing the hex head screw on top of the hub and threading a longer screw (such as $5/16$ "-18 x $1/2$ ") in until disc loosens.

To remove the Lexan Liner, unlatch the exterior latch on the outside of the hopper and push the keeper out of the hole (Fig. 2). Slide the liner out from under the retaining brackets. Take to the sink and scrub with a nonabrasive brush, using soap and water to clean. Allow to air dry before installing into the hopper.



Fig. 2

If the drawer is equipped with a peel trap, remove the peel trap drawer and thoroughly clean the drawer, as well as the peel trap interior.

The discharge chute MUST be left open when unit is NOT in use to prolong life of the door seal.

6.3 MOTOR

This machine is equipped with a manual-reset overload protection switch, located on the motor inside the peeler housing. If, during operation, the motor should overheat and trip this switch, turn the timer off and allow the motor to cool for several minutes. To reset the switch, remove the top screw from the cover plate (Fig. 3), rotate the cover plate and push the red button (Fig. 3). Reposition round cover plate and replace top screw in threaded hole.

If the overload protection switch persists in tripping, contact your local Hobart Service Office.

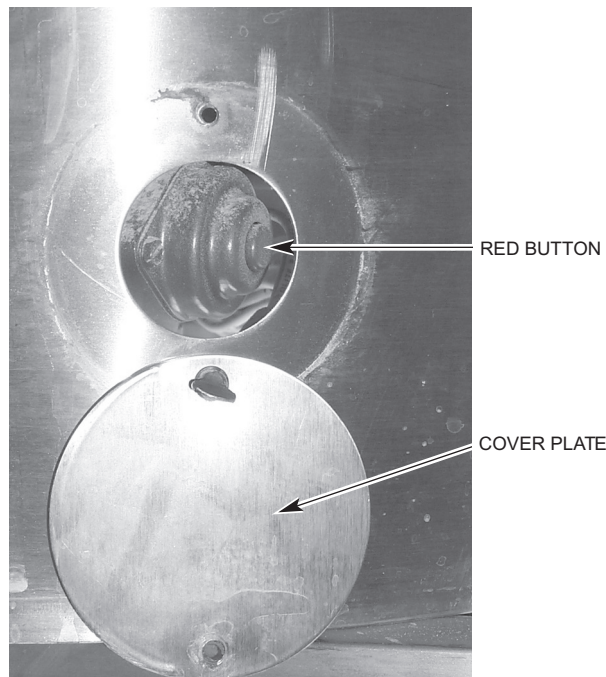


Fig. 3

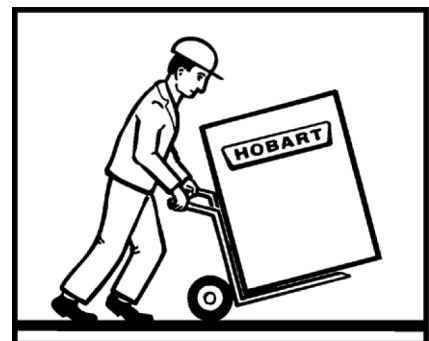
6.3.1 TABLE 1 TECHNICAL INFORMATION

Description	Units	6430	
		1 Phase	3 Phase
Peeler Power	kW (hp)	.56 (³ / ₄)	.746 (1)
Maximum Speed of Rotating Part (50Hz)	RPM	1425	1450
Nominal Electrical Supply	Volts	240	240
Full Load Current At Above Voltage	Amps	7.84	4.36
Locked Rotor Current At Above Voltage	Amps	35.9	26.1
Recommended Fuse Size	Amps	15	15
Minimum Ambient Temperature	°C	0	0
Maximum Ambient Temperature	°C	40	40
Peeler Weight	Kg (Lbs)	63.6 (140)	63.6 (140)
Noise Level	dB	##less than 70	##less than 80
Shipping Weight	Kg (Lbs)	66.8 (147)	66.8 (147)
Shipping Dimensions	LxWxH cm	71.1 x 59.7 x 77.2	71.1 x 59.7 x 77.2
Storage Conditions	°C, % RH	+5 to +38, 85	+5 to +38, 85
Class of Appliance	--	Class 1	Class 1
Enclosure IP Rating	--	IP45	IP35

In accordance with EN-ISO 12001:1996.

6.4 UNPACKING AND HANDLING

Whenever possible, the peeler should be transported to the installation position in the packaging provided to avoid damage. Do not use a sharp knife to cut into the box as damage to the machine may occur. Check for possible shipping damage. If the unit is found to be damaged, save the packaging material and contact your nearest Hobart sales office.



⚠ WARNING The 6430 Peeler is a heavy object and must be correctly handled and lifted to avoid personal injury. Refer to Table 1, page 9 for weights and dimensions. For UK installations refer to the Manual Handling Operations Regulations 1992 and HSE guidance notes for manual handling.

With the machine in the vicinity of its final position, remove from outer carton.

Care must be taken during this operation to ensure:

- All required safety measures are taken to ensure correct lifting and handling to avoid risk of injury through dropping, falling and tilting.
- No damage occurs to the machine, which could impair the normal operation.

6.5 INSTALLATION

The peeler was inspected before leaving the factory. The carrier assumes full responsibility for the safe delivery upon acceptance of the shipment. Check for possible shipping damage immediately after receipt.

If the peeler is found to be damaged, complete the following steps;

1. Carrier must be notified within five business days of receipt.
2. Carrier's local terminal must be notified immediately upon discovery (note time, date, and who was spoken to), and follow up and confirm with written or electronic communication.
3. All original packing materials must be kept for inspection purposes.
4. The peeler cannot have been moved, installed, or modified.
5. Notify Hobart customer care at (800) 333-7447.

This machine **MUST** be cleaned after installation and before being put into service. Refer to section 6.2, page 7 for instructions.

PEELER UNIT (FIG. 1)

Remove the peeler from its shipping carton and remove the hopper top. Remove the fill tube and bracket assembly from the peeler housing and the cloth bag containing the fill tube gasket and acorn nuts. Do NOT remove the rubber molding on bottom of peeler. Lay the peeler on its side. Slightly loosen the clamp that attaches the drain hose and pull the drain hose down so that it extends approximately $\frac{7}{8}$ " below the bottom of peeler housing. Tighten the clamp.

On units that will NOT use a peel trap, attach the bottom cover plate using the bolts and washers supplied with the unit.

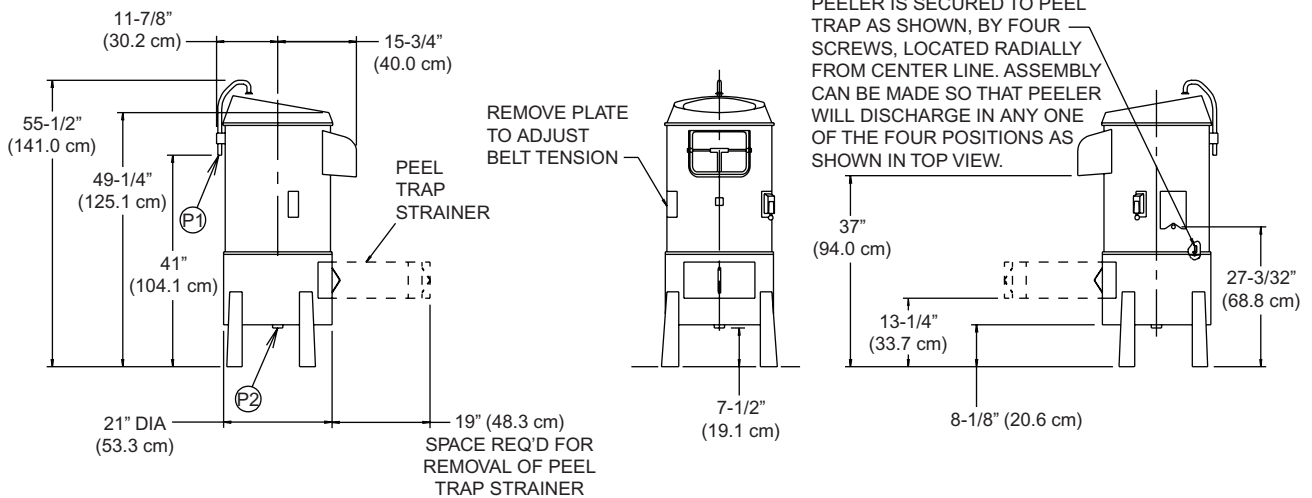
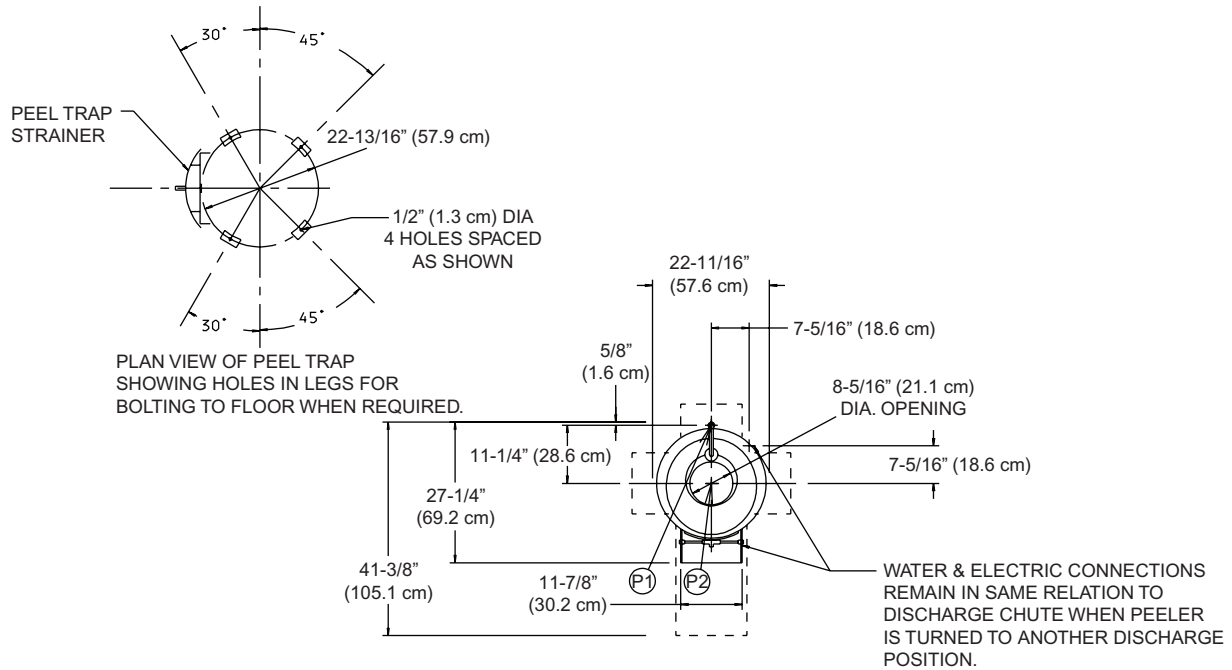
6.6 LOCATION

⚠ WARNING The peeler is not suitable for outdoor installation. The peeler must only be operated by trained staff and must be installed in a area where the use and maintenance is restricted to trained personnel.

The peeler must be installed on a horizontal, flat surface, which is level to a minimum of 1mm in a 1 metre side to side and front to back. Select a suitable, flat, level surface that can support the weight of the peeler when full. Refer to Table 1, page 9 for weights and dimensions. In areas where stability may be an issue, the machine should be secured in position.

Ensure there is sufficient space around the peeler for the user to operate the controls. Servicing may be more difficult because of reduced clearances and you should always check that equipment specifications permit the close proximity of other equipment. Refer to pages 11 and 12 for the overall dimensions of the peeler and clearance required.

6.6.1 PEELER DIMENSIONS



LEGEND

P1 - WATER CONNECTION: ST'D 1/2" FEMALE PIPE THREAD
P2 - DRAIN CONNECTION: ST'D 2" MALE PIPE THREAD

NOTES:

ALL DIMENSIONS TAKEN FROM FLOOR LINE MAY BE INCREASED AS MUCH AS 13/16" (2.1 cm) BY LEG ADJUSTMENT.

APPROXIMATE SHIPPING WEIGHT OF PEELER AND PEEL TRAP UNIT: 201 Lbs (91.2 Kg)

APPROXIMATE SHIPPING WEIGHT OF PEELER LESS PEEL TRAP UNIT: 147 Lbs (66.7 Kg)

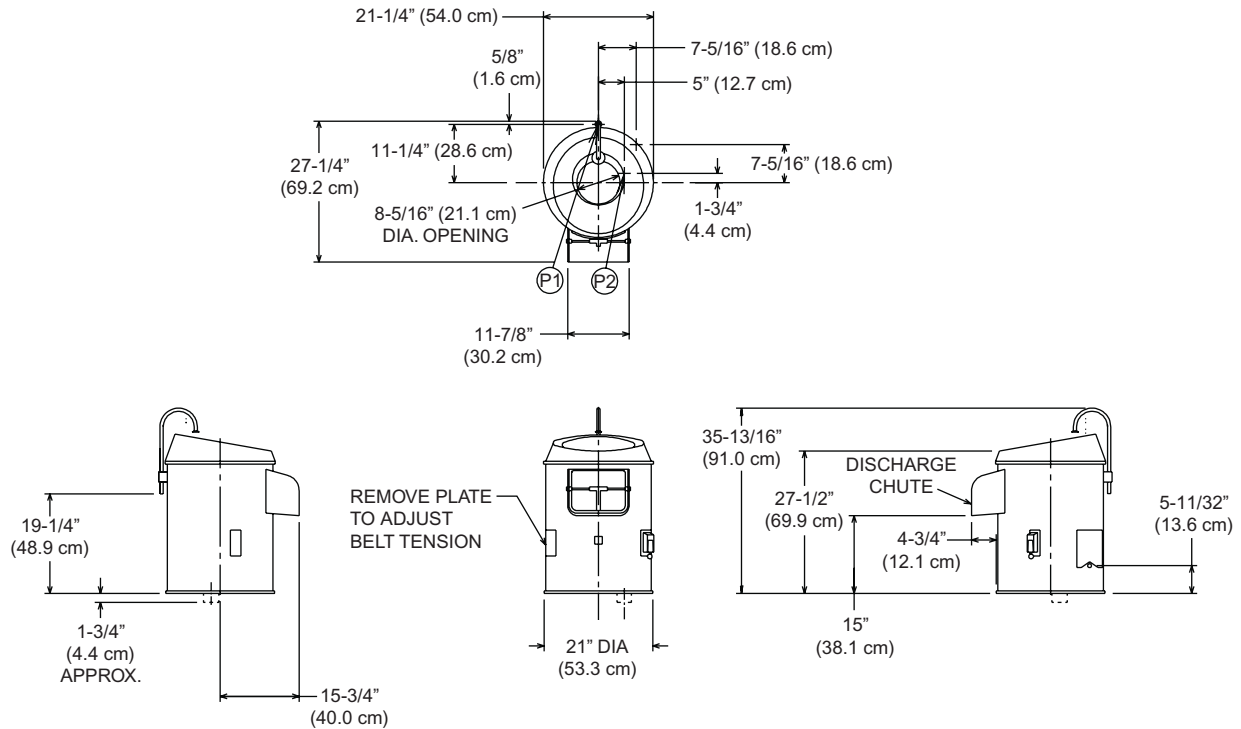
NET WEIGHT OF PEELER AND PEEL TRAP UNIT: 190 Lbs (86.2 Kg)

WARNING

PLUMBING CONNECTIONS MUST COMPLY WITH APPLICABLE SANITARY, SAFETY AND PLUMBING CODES IN FORCE.

MODEL 6430 PEELER
(WITH PEEL TRAP)

Installation Diagram (With Trap)



LEGEND

P1 - WATER CONNECTION: ST'D 1/2" FEMALE PIPE THREAD
 P2 - DRAIN HOSE: 2-3/8" I.D. x 2-3/4" O.D.

NOTE:

NET WEIGHT OF PEELER - 140 Lbs (63.6 Kg)
 DOMESTIC SHIPPING WEIGHT OF PEELER - 147 Lbs (66.7 Kg)

MODEL 6430 PEELER
 (WITHOUT TRAP)

WARNING

PLUMBING CONNECTIONS MUST COMPLY WITH APPLICABLE SANITARY, SAFETY AND PLUMBING CODES IN FORCE.

Installation Diagram (Without Trap)

6.7 ELECTRICAL INSTALLATION

⚠ WARNING The electrical installation of the peeler must conform to the local electricity board regulations. When installed in the United Kingdom the installation must be in accordance with the current edition of the IEE Regulations for electrical equipment in buildings and must conform to the requirements of the Electricity at work act.

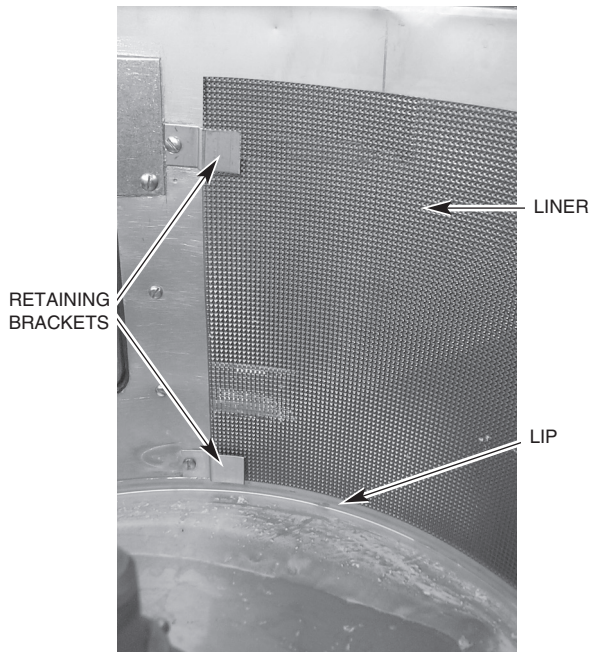
A competent person must carry out the electrical installation.

The technical data shown in Table 1, page 9 details the electrical requirements for the peeler. Ensure that the electrical power supply agrees with the machine specification prior to connection.

The single-phase peeler is equipped with a three-wire power supply cord and the three-phase peeler is equipped with a four-wire power supply cord ready for installation of an appropriate grounding-type attachment plug. The plug and its mating receptacle must be properly grounded. Contact an electrician. Provide proper fuse or circuit breaker protection.

6.8 LEXAN LINER

Slide the liner (Fig. 4) into the hopper. Ensure the liner is under the retaining brackets (Fig. 4) and resting on the top of the lip (Fig. 4) on the bottom of the hopper chamber.



(Fig. 4)



(Fig. 5)

Push the liner keeper into the hole (Fig. 5) provided.

Secure the keeper using the exterior latch.

6.9 PEEL TRAP

If a peel trap is to be used, unpack the trap from its shipping carton. Remove the legs and cloth bag from inside the peel trap. The cloth bag contains hardware for attaching the legs.

LEGS

It will be necessary to remove the peel trap drawer (Fig. 1) to allow enough room for attaching the legs.

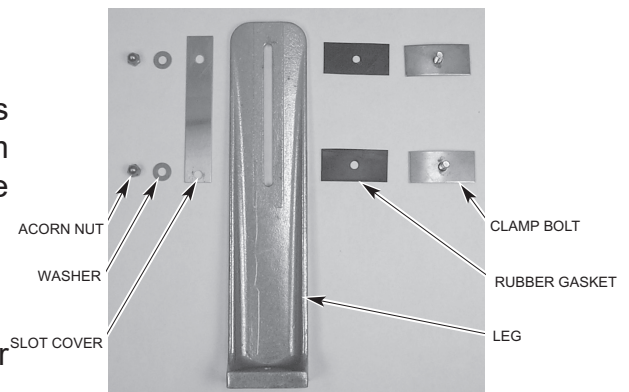


Fig. 6

Assemble the legs as follows (Fig. 6):

Lay the peel trap on its side. Assemble one of the rubber gaskets to one of the curved leg clamp bolts. Assemble the bolt and gasket from the inside, through one of the leg bolt holes in the peeler housing. Assemble a leg and a leg slot cover on the leg clamp bolt. Place a stainless steel washer and acorn nut onto the clamp bolt and partially tightened, set unit upright. Each leg has an upper and lower leg clamp bolt assembly. When all are assembled and partially tightened, set unit upright. Adjust each leg to a suitable height such that the unit is level, and tighten the acorn nuts.

PEELERS

The peeler may be positioned on the peel trap in one of four positions. Each of the positions will cause the peel trap drawer to be located in a different position relative to the discharge chute.

The peel trap drawer may be directly beneath the discharge chute, to the right, left or rear (see Fig. 7).

After selecting the most convenient position for the peel trap drawer, remove the cover disc from the appropriate hole in the peel trap top and position the peeler on top of the peel trap, with the peeler drain hose extending through selected hole (Fig. 7).

The cloth bag shipped in the peel trap drawer contains the capscrews, lockwashers and washers (Fig. 1) necessary for fastening the peeler to the peel trap.

NOTICE Excessive tightening of screws may distort the housing.

If desired, the peel trap legs may be bolted to the floor.

PLUMBING

WARNING Plumbing connections must comply with applicable sanitary, safety and plumbing codes.

Peeler Unit

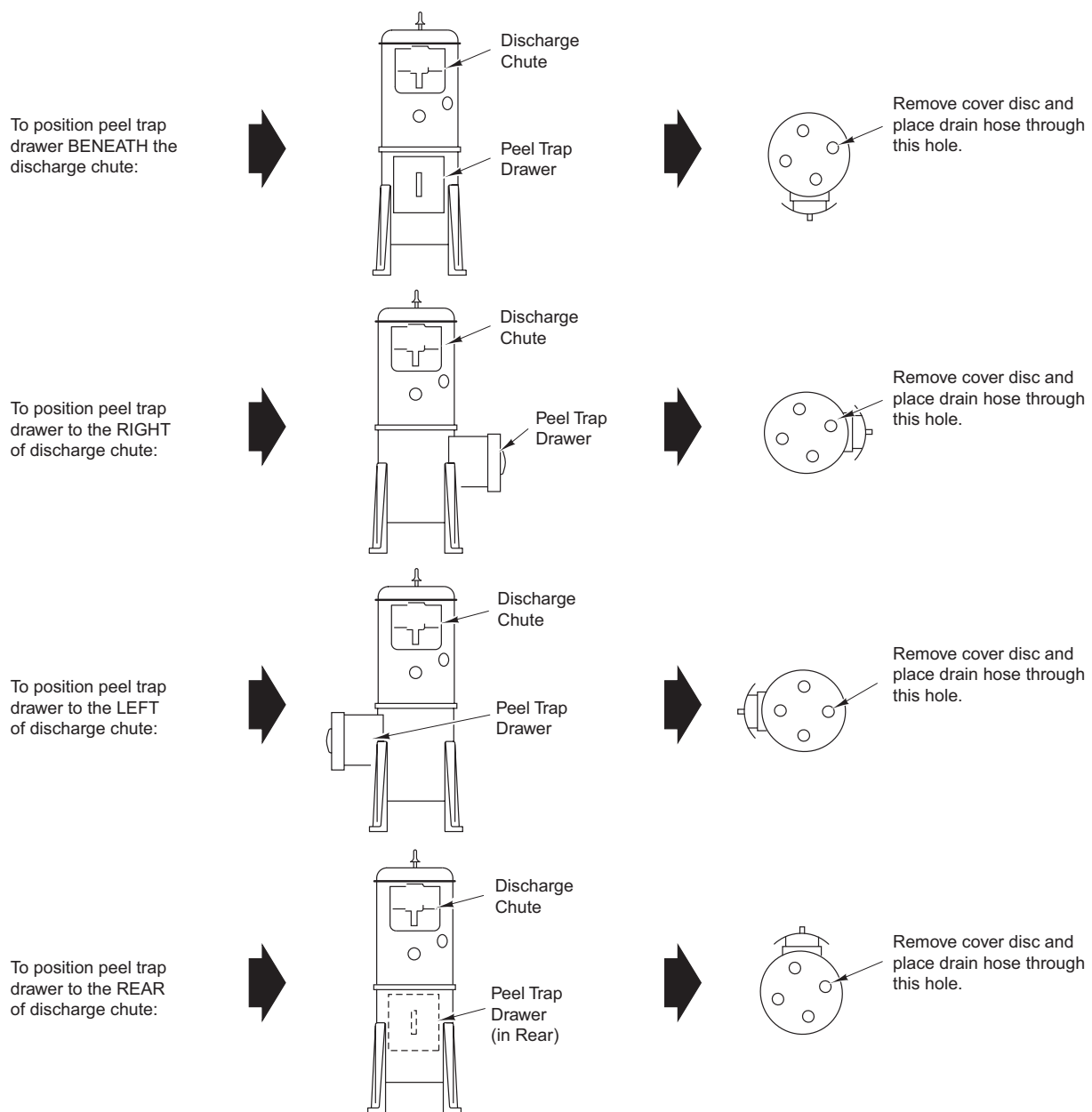
Using the supplied acorn nuts and gasket, attach the fill tube and bracket assembly (Fig. 1) to the peeler.

Connect a cold water supply to the 1/2" fill tube coupling (Fig. 1).

NOTE: A globe valve for controlling water supply should be installed in the water supply line at a location convenient to the operator.

RELATIONSHIP OF PEELER WITH TRAP

VIEW OF TOP OF PEEL TRAP



(Fig. 7)

6.10 OPERATOR TRAINING

Referring to this manual, take time to explain the correct operation and cleaning to the users of the peeler. Leave this manual with the operator and explain that it is important to use it for further reference.

7.0 PEELER MAINTENANCE

⚠ WARNING A Hobart trained and competent person should carry out servicing.



Do not remove any covers or loosen any fittings whilst the peeler is operating. Ensure the electrical supply has been isolated before attempting to service or move the peeler.

⚠ WARNING Disconnect power supply before beginning any maintenance procedures.

7.1 LUBRICATION

The peeler uses sealed ball bearings and therefore requires no lubrication maintenance.

7.2 FAULT FINDING

Fault	Possible cause
Peeler will not operate.	Peeler not plugged in. Circuit breaker tripped, check fuse or circuit breaker.
Excessive foaming.	Too much water in the hopper.

8.0 RECOMMENDED SPARES

00-479494-00004	Liner Assembly
00-875573	Hardware Kit
00-012430	Key $\frac{3}{16}$ Sq. x $1\frac{1}{4}$

9.0 SERVICE CONTACT NUMBERS

Hobart trained service technicians strategically located at national Hobart service branches are prepared to give you fast, efficient and reliable service. Protect your investment by having a Hobart inspection contract, which assures the continued, efficient operation of your Hobart machines, spares and accessories. For disposal of peeler, contact a Hobart Service Centre for return details.

For further details please contact: -

Department	Telephone	Facsimile
SALES:	07002 101 101	02088 864 396
SERVICE	07002 202 202	01733 371 709
SPARES	07002 303 303	01733 371 332

10.0 NOTES



**EPLUCHEUSE DE
POMMES DE TERRE**

Modèle

ML-136156

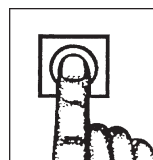


Page 1 - Anglais

Page 21 - Français

Page 41 - Allemand

**INSTALLATION AND OPERATION MANUAL
MANUEL D'INSTALLATION ET D'UTILISATION
INSTALLATIONS- UND BEDIENUNGSANLEITUNG**



FRANÇAIS / SOMMAIRE

Eplucheuse de pommes de terre 6430 CE	Section	Page
Informations de sécurité	1.0	23
Consignes de sécurité	1.1	23
Symboles d'avertissement	1.2	23
Responsabilité	1.3	24
Avant-propos	2.0	24
Informations générales	3.0	24
Respect de l'environnement	4.0	24
Matériaux d'emballage	4.1	24
Elimination de vos anciens appareils	4.2	24
Consignes de sécurité	5.0	24
A ne pas faire	5.1	25
A faire	5.2	25
Utilisation de l'éplucheuse	6.0	25
Première utilisation	6.1	26
Nettoyage	6.2	27
Moteur	6.3	28
Tableau 1 Informations techniques	6.3.1	29
Déballage et manutention	6.4	29
Installation	6.5	30
Emplacement	6.6	30
Dimensions de l'éplucheuse	6.6.1	31
Installation électrique	6.7	32
Revêtement Lexan	6.8	33
Bac à épluchures	6.9	33
Formation de l'utilisateur	6.10	35
Maintenance de l'éplucheuse	7.0	36
Lubrification	7.1	36
Localisation des pannes	7.2	36
Pièces de rechange recommandées	8.0	37
Coordonnées du service après-vente	9.0	38
Remarques	10	39

1.0 INFORMATIONS DE SECURITE

Il est entendu que les procédures et les précautions indiquées dans ce manuel ne sont applicables qu'à la machine lorsque celle-ci est utilisée conformément aux indications. Si la machine est utilisée différemment, l'utilisateur sera responsable de sa propre sécurité et de la sécurité des autres personnes pouvant alors être impliquées.

Les informations de ce manuel ont été préparées pour aider l'utilisateur à comprendre, entretenir et faire fonctionner l'éplucheuse. Pour éviter les accidents, veuillez lire, comprendre et respecter toutes les précautions et tous les avertissements contenus dans ce manuel avant l'installation ou lors de la première utilisation. Ce manuel doit être étudié si l'on souhaite parvenir à une bonne compréhension de l'éplucheuse et de ses capacités.


1.1 CONSIGNES DE SECURITE

Veillez à ce que des précautions suffisantes soient prises lors de la manutention de l'éplucheuse, en particulier lors de son déplacement vers son lieu d'installation. Vous devez absolument vous reporter aux réglementations relatives à la manutention.

- Ne nettoyez pas cet appareil sous pression. Le respect des instructions de nettoyage figurant dans ce manuel est crucial.
- Ne retirez aucun cache et ne desserrez aucune pièce de fixation pendant le fonctionnement de l'éplucheuse.
- Veillez à ce que ce manuel demeure accessible près de l'éplucheuse pour pouvoir vous y référer si nécessaire.
- Tous les utilisateurs doivent être formés au fonctionnement sans danger de l'éplucheuse.
- Vérifiez que l'alimentation électrique a été coupée avant de procéder à l'entretien de l'éplucheuse ou de la déplacer.
- Les éléments rotatifs et l'électricité peuvent être dangereux et provoquer des blessures si des précautions insuffisantes sont prises avant l'utilisation ou l'entretien de la machine.
- Entretenez votre éplucheuse régulièrement : au moins deux fois par an selon la fréquence d'utilisation.

1.2 SYMBOLES D'AVERTISSEMENT

Les symboles suivants ont été utilisés pour identifier les messages de sécurité figurant dans ce manuel :

 **AVERTISSEMENT** Le symbole « Avertissement » se trouve principalement aux endroits où les informations correspondantes sont importantes pour une utilisation de la machinerie en toute sécurité.



Le symbole « Dangers électriques » est utilisé lorsqu'il existe des risques électriques. Avant l'entretien de la machine, débranchez toujours le câble d'alimentation secteur.

1.3 RESPONSABILITE

Si les installations et les réparations ne sont pas réalisées par des **techniciens autorisés**, si l'on utilise des pièces autres que les pièces originales ou si l'on effectue des **modifications techniques** sur la machine, **cela peut affecter la garantie définie dans les conditions générales de vente.**

2.0 AVANT-PROPOS

Hobart se réserve le droit de modifier la conception de ses produits sans préavis. Nous avons fait notre possible pour que cette publication reflète la dernière conception en date mais notre entreprise ne peut pas garantir une conformité exacte. Prenez soin de votre éplucheuse 6430. Veillez à ce qu'elle reste propre et en bon état mécanique et électrique.

3.0 INFORMATIONS GENERALES

Les informations et instructions contenues dans ce manuel peuvent ne pas couvrir tous les détails ou toutes les variations en matière d'équipement ou encore ne pas répondre à toutes les questions pouvant survenir lors de l'installation, de l'utilisation ou de l'entretien. Pour obtenir de plus amples informations, veuillez contacter votre agence Hobart la plus proche.

L'éplucheuse est équipée d'un dispositif de protection « à tension nulle » qui empêche un redémarrage automatique après une coupure de courant ou le débranchement de l'alimentation secteur.

4.0 RESPECT DE L'ENVIRONNEMENT

4.1 MATERIAUX D'EMBALLAGE

La palette et le film d'emballage protecteur ont été sélectionnés parmi des matériaux qui ne nuiront pas à l'environnement lors de leur élimination ou qui peuvent être recyclés. Au lieu de les jeter, veuillez vous assurer qu'ils sont recyclés.



4.2 ELIMINATION DE VOS ANCIENS APPAREILS

Les appareils usagés contiennent des matériaux qui peuvent être recyclés. Veuillez contacter le centre de collecte des déchets, le ferrailleur ou l'agence Hobart le/la plus proche pour connaître les programmes de recyclage qui existent.

5.0 CONSIGNES DE SECURITE

SEULE UNE PERSONNE QUALIFIEE ET PARFAITEMENT FORMEE DOIT SE SERVIR DE L'EPLUCHEUSE.

Vous devez respecter les consignes suivantes lors de l'utilisation de l'éplucheuse.

REMARQUE : l'éplucheuse doit exclusivement être utilisée pour l'usage prévu et conformément aux instructions d'utilisation fournies.

5.1 A NE PAS FAIRE

- Utiliser l'éplucheuse ou ses accessoires en cas de panne ou si l'éplucheuse n'est plus sûre.
- Porter des vêtements flottants.
- Mettre la main dans la trémie en cours de fonctionnement.
- Accéder aux pièces rotatives.
- Recourir à une force excessive en utilisant l'éplucheuse, ce qui pourrait affecter sa stabilité.
- Utiliser l'éplucheuse si des pièces sont démontées.
- Utiliser l'éplucheuse dans des conditions ne garantissant pas la sécurité.
- Nettoyer l'éplucheuse avec de la poudre ou un tampon à récurer.

5.2 A FAIRE

- Utiliser l'éplucheuse dans un endroit bien éclairé.
- Débrancher l'alimentation secteur avant de nettoyer l'éplucheuse.
- Nettoyer l'éplucheuse quotidiennement.
- Éteindre l'éplucheuse avant de retirer les produits pelés ou d'en ajouter.
- Utiliser le bouton d'arrêt pour éteindre la machine.
- Nettoyer la trémie après utilisation.
- Nettoyer l'éplucheuse à l'eau et au savon doux.
- Procéder à l'entretien de l'éplucheuse au moins deux fois par an selon la fréquence d'utilisation.
- Utiliser l'éplucheuse selon l'usage prévu et conformément aux instructions d'utilisation.

6.0 UTILISATION DE L'ÉPLUCHEUSE

L'éplucheuse modèle 6430 est conçue pour éplucher 13,5 à 15,0 kg (30 à 33 lbs) de produit en 1 à 3 minutes grâce à son moteur électrique de $\frac{3}{4}$ CV. L'éplucheuse 6430 comporte une horloge synchrone réglable par incréments de $\frac{1}{2}$ à 5 minutes et qui utilise une alimentation électrique monophasée ou triphasée.

Elle est dotée d'un disque d'épluchage renforcé avec un abrasif fixé de façon permanente à sa surface, et d'un revêtement Lexan à l'intérieur de la trémie. L'horloge est installée de série sur la droite de la goulotte d'évacuation mais elle peut être placée à gauche sur commande ou bien changée sur site. La base de l'éplucheuse est protégée par une garniture en caoutchouc qui garantit également son étanchéité.

Les accessoires en option sont le bac à épluchures avec panier et le socle portatif.

⚠ AVERTISSEMENT Cette éplucheuse est réservée à un usage professionnel et doit être utilisée par des personnes correctement formées. Veillez à ce que les utilisateurs aient lu et compris ce manuel et à ce qu'ils aient reçu une formation adéquate.

6.1 PREMIERE UTILISATION

Avant l'installation, vérifiez que l'alimentation électrique correspond bien aux spécifications figurant sur la plaque signalétique de la machine.

Placez l'éplucheuse sur une surface plane et solide adaptée. L'espace autour de l'éplucheuse doit être suffisant pour permettre à l'utilisateur de se servir des commandes.

⚠ AVERTISSEMENT Cette éplucheuse est réservée à un usage professionnel et doit être utilisée par des personnes correctement formées. Veillez à ce que les utilisateurs aient lu et compris ce manuel et à ce qu'ils aient reçu une formation adéquate.

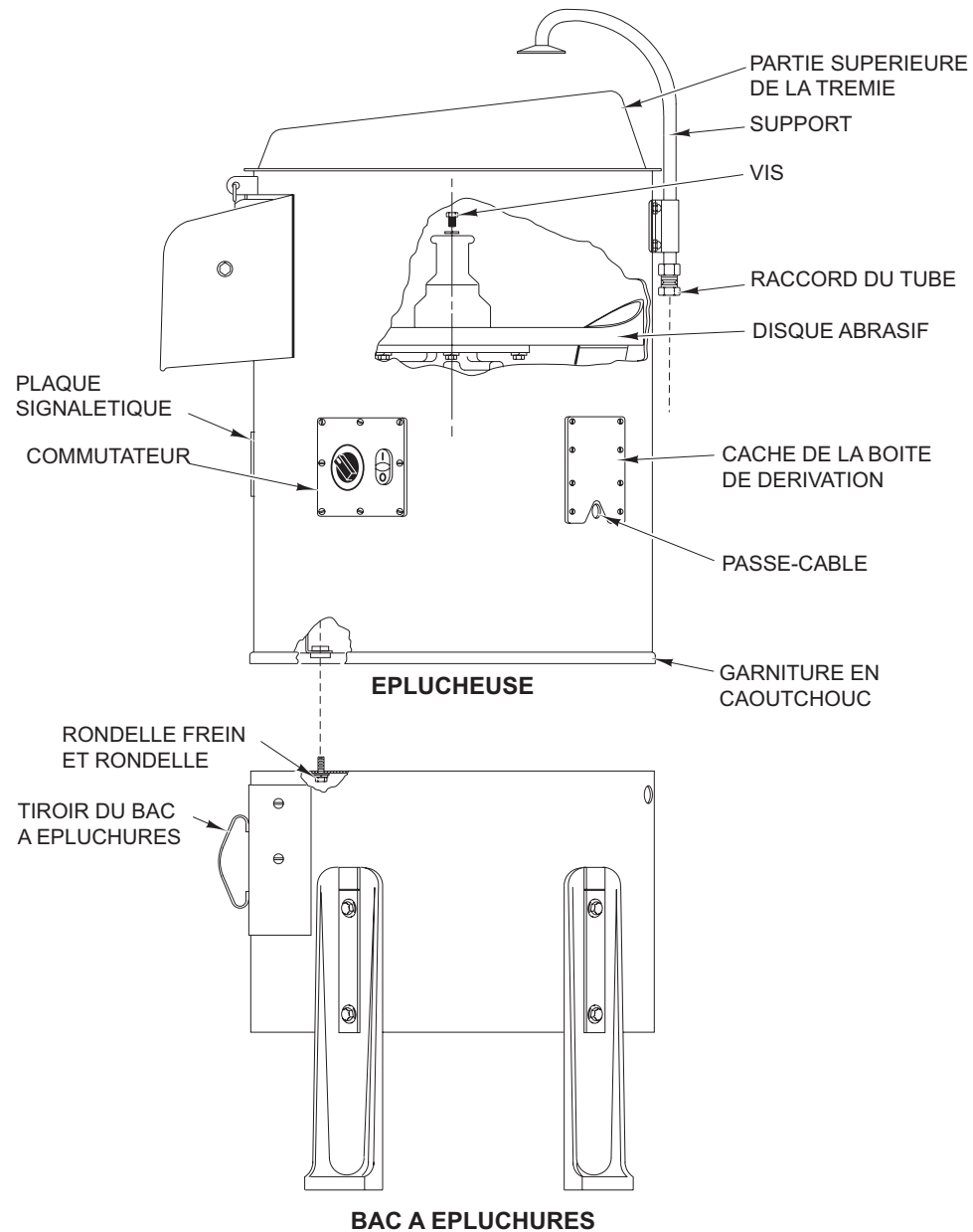


Fig. 1

En utilisant les saillies sur la partie supérieure de la trémie (Fig. 1) comme repères, positionnez la trémie sur l'enceinte et faites la pivoter dans le sens horaire pour la mettre en place.

Fermez et verrouillez la porte de la goulotte d'évacuation.

Versez le produit dans la trémie. Il doit y avoir suffisamment de place dans la trémie pour que les produits bougent pendant qu'ils sont pelés. NE surchargez PAS l'éplucheuse. La capacité maximale de l'éplucheuse 6430 est de 13,5 à 15 kg (30 à 33 lbs).

Ouvrez l'arrivée d'eau. Pour les machines dotées d'un broyeur, placez l'interrupteur du broyeur sur la position Marche (Fig. 1). Ceci ouvre le robinet.

Mettez l'éplucheuse sous tension. Pour les machines dotées d'une horloge, programmez-la sur le temps d'épluchage souhaité.

Les temps d'épluchage varient selon la nature et l'état du produit. Lorsque vous avez atteint le degré d'épluchage souhaité, fermez l'arrivée d'eau (ou éteignez le broyeur le cas échéant). Placez un récipient sous la porte de la goulotte d'évacuation pour récupérer le produit.

REMARQUE : pour les unités équipées d'une horloge, si elle s'est arrêtée, il est nécessaire de la reprogrammer afin d'avoir le temps d'évacuer le produit.

Une fois le produit complètement évacué, mettez l'éplucheuse hors tension. Elle est prête pour recommencer l'opération.

Si l'éplucheuse est équipée d'un bac à épluchures, il est nécessaire de vider son tiroir occasionnellement (après quelques cycles).

6.2 NETTOYAGE

⚠ AVERTISSEMENT Débranchez l'alimentation secteur avant de nettoyer ou d'entretenir cette éplucheuse.

Elle doit être nettoyée une fois l'opération d'épluchage terminée.

Dès l'épluchage terminé et AVANT que la trémie n'ait eu le temps de sécher, ouvrez l'arrivée d'eau et rincez l'intérieur de la trémie. Fermez l'arrivée d'eau. Retirez la partie supérieure de la trémie et nettoyez-la dans un évier.

Soulevez le disque abrasif qui n'est pas fixé à l'arbre et frottez-le avec une brosse et du savon doux. Nettoyez la partie de l'enceinte située sous le disque abrasif à l'eau et au savon doux.

Ouvrez l'arrivée d'eau et nettoyez soigneusement l'intérieur de la trémie au savon doux à l'aide d'une brosse. Rincez abondamment.

REMARQUE : si le disque abrasif adhère et ne peut PAS être retiré facilement, il peut être libéré en retirant la vis à tête hexagonale située au sommet du moyeu et en vissant une vis plus longue (ex : $\frac{5}{16}$ "-18 x $\frac{1}{2}$ ") jusqu'à ce que le disque vienne.



Fig. 2

Pour retirer le revêtement Lexan, déverrouillez le verrou extérieur de la trémie et enfoncez l'arrêt pour le faire sortir de l'orifice (Fig. 2). Faites glisser le revêtement hors des pattes de fixation. Placez-le dans l'évier et frottez à l'aide d'une brosse non abrasive en utilisant de l'eau savonneuse pour le nettoyer. Laissez-le sécher à l'air libre avant de le réinstaller dans la trémie.

Si l'éplucheuse est équipée d'un bac à épluchures, retirez son tiroir et nettoyez-le soigneusement, tout comme l'intérieur du bac.

La porte de la goulotte d'évacuation DOIT rester ouverte lorsque la machine n'est PAS utilisée afin de prolonger la durée de vie du joint.

6.3 **MOTEUR**

La machine est équipée d'un commutateur de protection contre les surcharges à réinitialisation manuelle situé sur le moteur, dans l'enceinte de l'éplucheuse. Si, en cours de fonctionnement, le moteur surchauffe et déclenche ce commutateur, éteignez l'horloge et laissez le moteur refroidir quelques minutes. Pour réarmer le commutateur, retirez la vis supérieure du cache (Fig. 3), faites pivoter le cache et appuyez sur le bouton rouge (Fig. 3). Repositionnez le cache rond et replacez la vis supérieure dans son orifice fileté.

Si le commutateur de protection contre les surcharges continue à se déclencher, contactez l'agence SAV Hobart la plus proche.

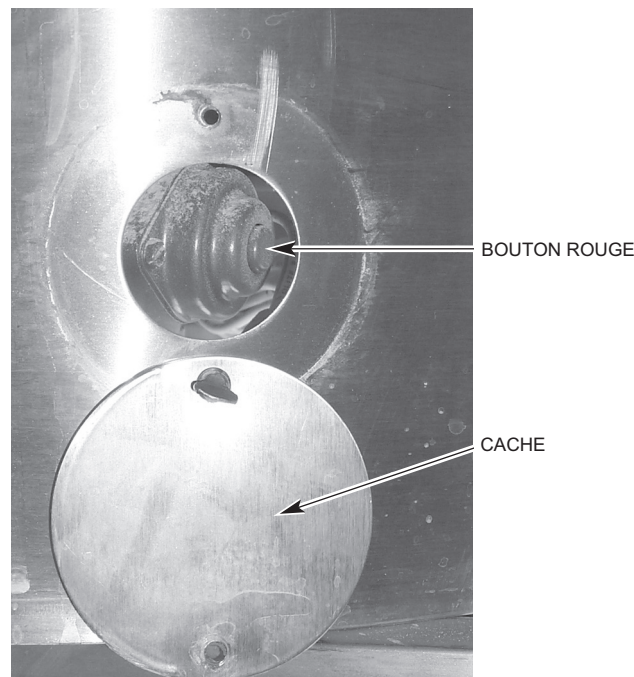


Fig. 3

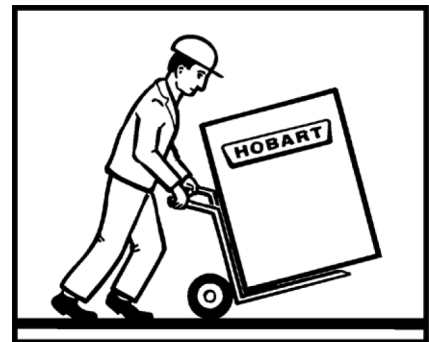
6.3.1 TABLEAU 1 INFORMATIONS TECHNIQUES

Description	Unités	6430	
		Monophasée	Triphasée
Puissance de l'éplucheuse	kW (CV)	0,56 (3/4)	0,746 (1)
Vitesse maximale de la pièce de rotation (50 Hz)	tr/min	1425	1450
Alimentation électrique nominale	Volts	240	240
Courant de pleine charge à la tension ci-dessus	A	7,84	4,36
Courant du rotor verrouillé à la tension ci-dessus	A	35,9	26,1
Taille de fusible recommandée	A	15	15
Température ambiante minimum	°C	0	0
Température ambiante maximum	°C	40	40
Poids de l'éplucheuse	Kg (Lbs)	63,6 (140)	63,6 (140)
Niveau de bruit	dB	##Moins de 70	##Moins de 80
Poids d'expédition	Kg (Lbs)	66,8 (147)	66,8 (147)
Dimensions d'expédition	L x l x H cm	71,1 x 59,7 x 77,2	71,1 x 59,7 x 77,2
Conditions de rangement	°C, % HR	+De 5 à +38, 85	+De 5 à +38, 85
Catégorie d'appareil	--	Classe 1	Classe 1
Valeur IP nominale de l'enceinte	--	IP45	IP35

Conformément à la norme EN-ISO 12001:1996.

6.4 DEBALLAGE ET MANUTENTION

Dès que cela s'avère possible, l'éplucheuse doit être transportée vers l'emplacement où elle sera installée, et ce dans l'emballage fourni pour éviter les dommages. N'utilisez pas de couteau pointu pour découper la boîte ; la machine pourrait être endommagée. Vérifiez qu'elle n'a pas été abîmée pendant le transport. Si vous vous apercevez que c'est le cas, conservez l'emballage et contactez l'agence commerciale Hobart la plus proche.



⚠ AVERTISSEMENT L'éplucheuse 6430 est un objet lourd. Elle doit être manipulée et soulevée correctement pour éviter toute blessure. Consultez le tableau 1, page 9 pour connaître les poids et les dimensions. Pour les installations au Royaume-Uni, reportez-vous au règlement de 1992 relatif à la manutention (Manual Handling Operations Regulations 1992) et aux directives HSE concernant la manutention.

Lorsque la machine se trouve à proximité de son emplacement final, retirez le carton extérieur. Prenez des précautions pendant cette opération :

- Toutes les mesures de sécurité requises doivent être prises afin de garantir que le levage et la manutention s'effectuent dans de bonnes conditions. Vous éviterez ainsi les blessures occasionnées par des chutes ou par une machine qui tombe ou bascule.
- La machine ne doit pas être endommagée car ceci empêcherait son fonctionnement normal.

6.5 INSTALLATION

L'éplucheuse a été inspecté avant de quitter l'usine. Le transporteur endosse l'entière responsabilité d'une livraison en bon état des marchandises en acceptant l'expédition. Vérifiez l'absence de dommages éventuels immédiatement après réception.

S'il s'avère que l'éplucheuse est endommagée, appliquez la procédure suivante :

1. Le transporteur doit en être averti dans les cinq jours ouvrables suivant la réception.
2. Le terminal local du transporteur doit en être averti immédiatement après la constatation des dommages (notez l'heure, la date et le nom de la personne contactée), puis assurez un suivi et confirmez par courrier postal ou par e-mail.
3. Tous les matériaux d'emballage d'origine doivent être conservés à des fins d'inspection.
4. L'éplucheuse ne doit pas avoir été déplacé, installé ou modifié.
5. Informez le service client de Hobart au (800) 333-7447.

Cette machine DOIT être nettoyée après son installation et avant sa mise en service. Consultez la section 6.2, page 7 pour obtenir des instructions.

EPLUCHEUSE (FIG. 1)

Retirez l'éplucheuse de son carton d'expédition et déposez la partie supérieure de la trémie. Récupérez le tube de remplissage et son support qui se trouvent dans l'enceinte de l'éplucheuse, ainsi que le sac en tissu contenant le joint statique du tube de remplissage et les écrous borgnes. NE retirez PAS la garniture en caoutchouc située à la base de l'éplucheuse. Couchez l'éplucheuse sur le côté. Desserrez légèrement la bride du tuyau de vidange et tirez sur le tuyau jusqu'à ce qu'il dépasse la base de l'enceinte de l'éplucheuse d'environ 2,25 cm. Serrez la bride.

Pour les machines qui n'utilisent PAS de bac à épiluchures, fixez le cache inférieur à l'aide des boulons et des rondelles fournis avec l'éplucheuse.

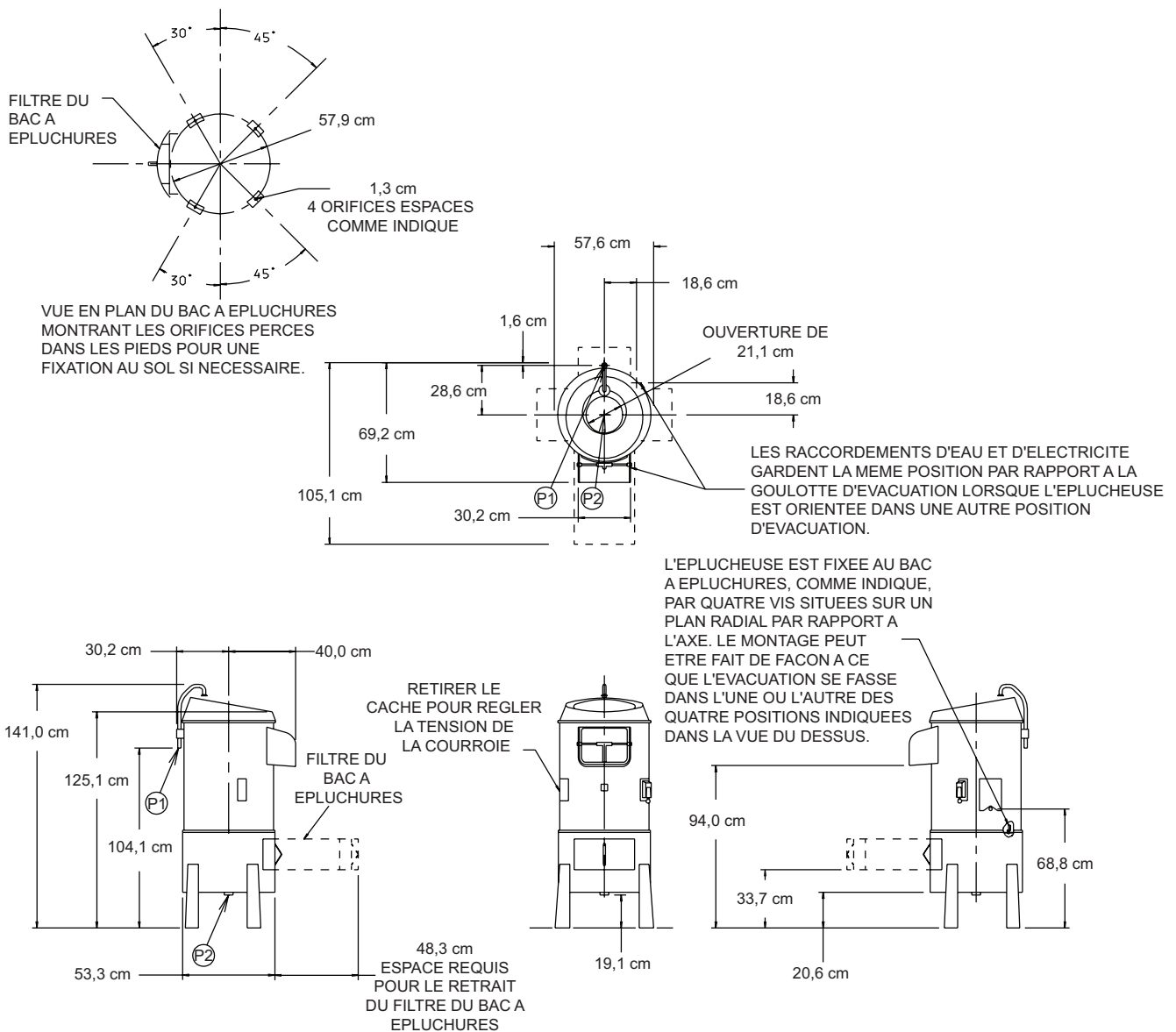
6.6 EMPLACEMENT

⚠ AVERTISSEMENT L'éplucheuse ne convient pas pour une installation à l'extérieur. Elle doit uniquement être utilisée par du personnel qualifié et doit être installée dans un endroit où l'utilisation et la maintenance sont réservées à du personnel formé.

L'éplucheuse doit être installée sur une surface plane, horizontale et de niveau avec une tolérance de 1 mm par mètre, d'un côté à l'autre et d'avant en arrière. Choisissez une surface plane appropriée qui peut supporter le poids de l'éplucheuse lorsqu'elle est pleine. Consultez le tableau 1, page 9 pour connaître les poids et les dimensions. Aux emplacements où la stabilité peut poser problème, la machine doit être sécurisée.

Assurez-vous que l'espace laissé autour de l'éplucheuse est suffisant pour permettre à l'utilisateur de se servir des commandes. L'entretien peut être plus difficile en cas de faible dégagement et vous devez toujours vérifier que les spécifications de la machine n'interdisent pas l'utilisation d'autres équipements à proximité. Reportez-vous aux pages 11 et 12 pour connaître les dimensions hors-tout de l'éplucheuse et le dégagement requis.

6.6.1 DIMENSIONS DE L'ÉPLUCHEUSE



LEGENDE

P1 - RACCORDEMENT D'EAU : FILETAGE GAZ FEMELLE STANDARD DE 1/2"
P2 - RACCORDEMENT DE VIDANGE : FILETAGE GAZ STANDARD DE 2"

REMARQUES :

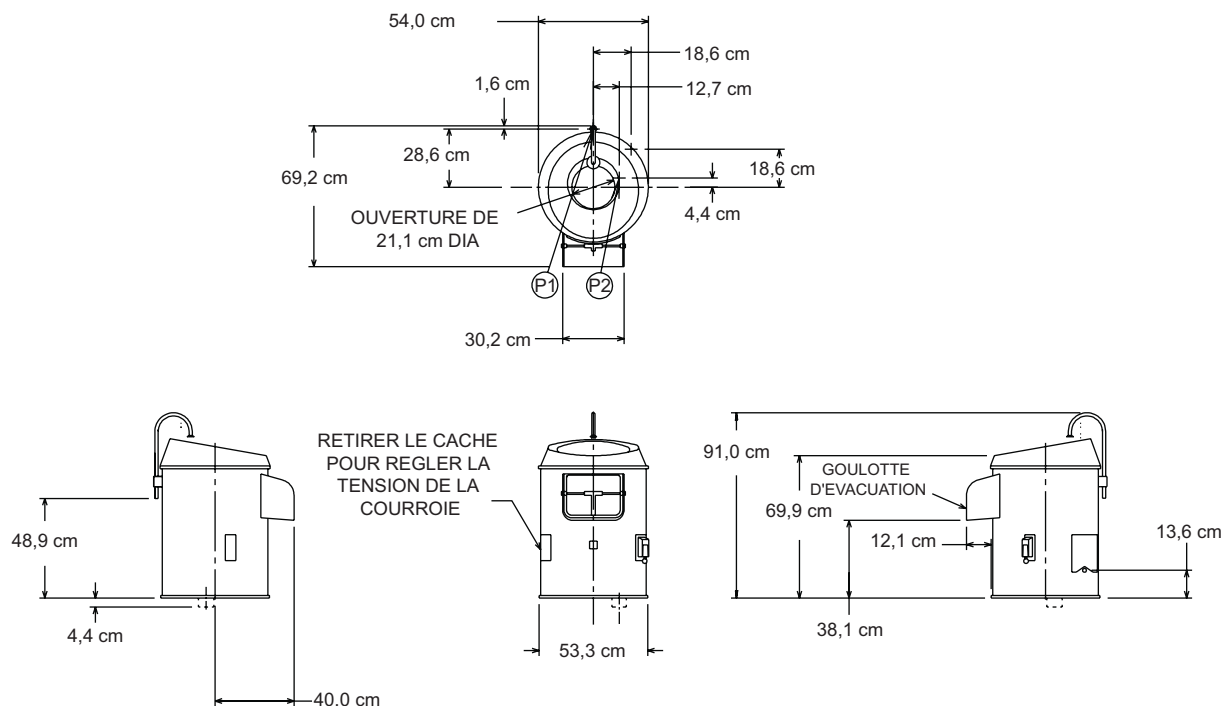
TOUTES LES DIMENSIONS MEASUREES A PARTIR DU SOL PEUVENT
PRENDRE JUSQU'A 13/16" (2,1 cm) A CAUSE DU REGLAGE DES PIEDS.
POIDS D'EXPEDITION APPROXIMATIF DE L'EPLUCHEUSE AVEC BAC A
EPLUCHURES : 201 Lbs (91,2 kg)
POIDS D'EXPEDITION APPROXIMATIF DE L'EPLUCHEUSE SANS LE BAC A
EPLUCHURES : 147 Lbs (66,7 kg)
POIDS NET DE L'EPLUCHEUSE ET DU BAC A EPLUCHURES : 190 Lbs (86,2 kg)

AVERTISSEMENT

L'INSTALLATION DE PLOMBERIE DOIT ETRE
CONFORME AUX CODES D'HYGIENE, DE
SECURITE ET DE PLOMBERIE EN VIGUEUR.

EPLUCHEUSE MODELE 6340
(AVEC BAC A EPLUCHURES)

Schéma d'installation (avec bac)



LEGENDE

P1 - RACCORDEMENT D'EAU : FILETAGE GAZ FEMELLE STANDARD DE 1/2"

P2 - TUYAU DE VIDANGE : 2-3/8" DI x 2-3/4" DE

REMARQUE :

POIDS NET DE L'EPLUCHEUSE : 140 Lbs (63,6 kg)

POIDS D'EXPEDITION DOMESTIQUE DE L'EPLUCHEUSE : 147 Lbs (66,7 kg)

AVERTISSEMENT

L'INSTALLATION DE PLOMBERIE DOIT ETRE CONFORME AUX CODES D'HYGIENE, DE SECURITE ET DE PLOMBERIE EN VIGUEUR.

EPLUCHEUSE MODELE 6340
(SANS BAC A EPLUCHURES)

Schéma d'installation (sans bac)

6.7 INSTALLATION ELECTRIQUE

⚠ AVERTISSEMENT L'installation électrique de l'éplucheuse doit être conforme aux réglementations des services locaux. Au Royaume-Uni, l'installation doit être conforme à la dernière édition des réglementations IEE concernant les équipements électriques installés dans des bâtiments et aux directives de la loi Electricity at work.

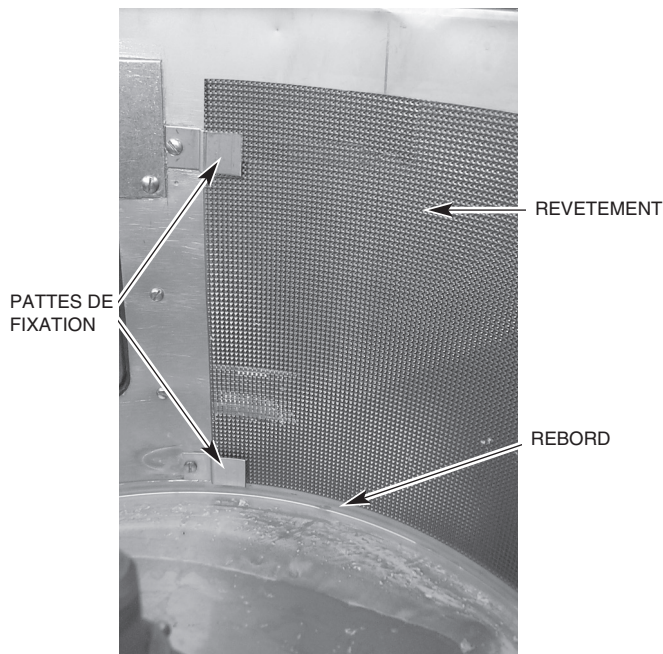
L'installation électrique doit être effectuée par une personne compétente.

Les caractéristiques techniques figurant au tableau 1, page 9 donnent le détail des exigences électriques de l'éplucheuse. Assurez-vous que la prise d'alimentation secteur est compatible avec les caractéristiques de l'appareil avant le branchement.

L'éplucheuse monophasée est équipée d'un cordon d'alimentation trifilaire et l'éplucheuse triphasée est équipée d'un cordon d'alimentation quadrifilaire, tous deux prévus pour l'installation d'une fiche d'alimentation appropriée de type mise à la terre. La fiche et la prise murale correspondante doivent être correctement mises à la terre. Contactez un électricien. Installez un fusible ou un disjoncteur approprié pour une protection adéquate.

6.8 REVÊTEMENT LEXAN

Faites-glisser le revêtement (Fig. 4) dans la trémie. Assurez-vous que le revêtement est placé sous les pattes de fixation (Fig. 4) et qu'il repose sur le rebord (Fig. 4) situé à la base de la trémie.



(Fig. 4)



(Fig. 5)

Insérez l'arrêteur du revêtement dans l'orifice prévu à cet effet (Fig. 5).

Sécurisez l'arrêteur à l'aide du verrou extérieur.

6.9 BAC À ÉPLUCHURES

Si un bac à épluchures doit être utilisé, déballiez-le de son carton d'expédition. Récupérez les pieds et le sac en tissu placés à l'intérieur du bac à épluchures. Le sac en tissu contient la visserie permettant de fixer les pieds.

PIEDS

Vous devrez retirer le tiroir du bac à épluchures (Fig. 1) pour avoir suffisamment la place de fixer les pieds.

Effectuez le montage des pieds comme suit (Fig. 6) :

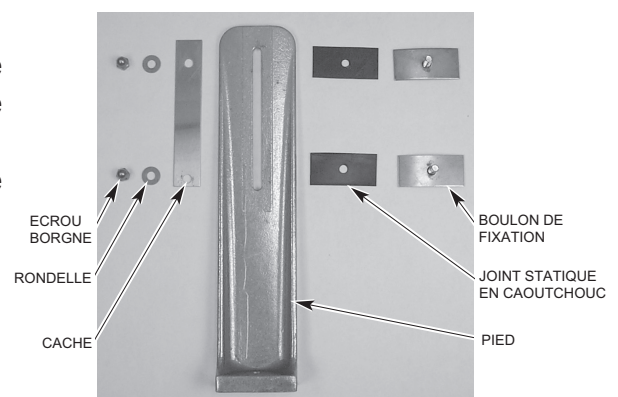


Fig. 6

Couchez le bac à épluchures sur le côté. Placez l'un des joints statiques en caoutchouc sur l'un des boulons de fixation d'un pied cintré. En partant de l'intérieur, insérez le boulon avec son joint statique dans un des trous pour boulon de pied percé dans l'enceinte de l'éplucheuse. Installez un pied et son cache sur le boulon de fixation. Placez une rondelle inox et un écrou borgne sur le boulon de fixation et serrez-le partiellement. Redressez le bac à épluchures. Chaque pied dispose d'un orifice et d'un boulon de fixation supérieur et inférieur. Quand ils sont tous montés et partiellement serrés, redressez la machine. Réglez correctement la hauteur de chaque pied

de façon à ce que la machine soit stable et vissez les écrous borgnes.

EPLUCHEUSES

L'éplucheuse peut être positionnée sur le bac à épluchures de quatre façons différentes. Dans chacune de ces positions, le tiroir du bac à épluchures sera placé différemment par rapport à la goulotte d'évacuation.

Le tiroir peut se trouver directement sous la goulotte d'évacuation, sur la droite, sur la gauche ou à l'arrière (voir la Fig. 7).

Après avoir choisi la position idéale pour le tiroir du bac à épluchures, retirez l'obturateur de l'orifice correspondant percé dans le haut du bac et placez l'éplucheuse au sommet du bac, le tuyau de vidange passant par l'orifice sélectionné (Fig. 7).

Le sac en tissu placé dans le tiroir du bac à épluchures contient les vis d'assemblage, les rondelles frein et les rondelles (Fig. 1) qui permettent d'assembler l'éplucheuse et le bac.

REMARQUE Ne serrez pas excessivement les vis sous peine de déformer l'enceinte.

Si vous le souhaitez, les pieds du bac à épluchures peuvent être boulonnés au sol.

PLOMBERIE

⚠ AVERTISSEMENT L'installation de plomberie doit être conforme aux codes d'hygiène, de sécurité et de plomberie en vigueur.

Eplucheuse

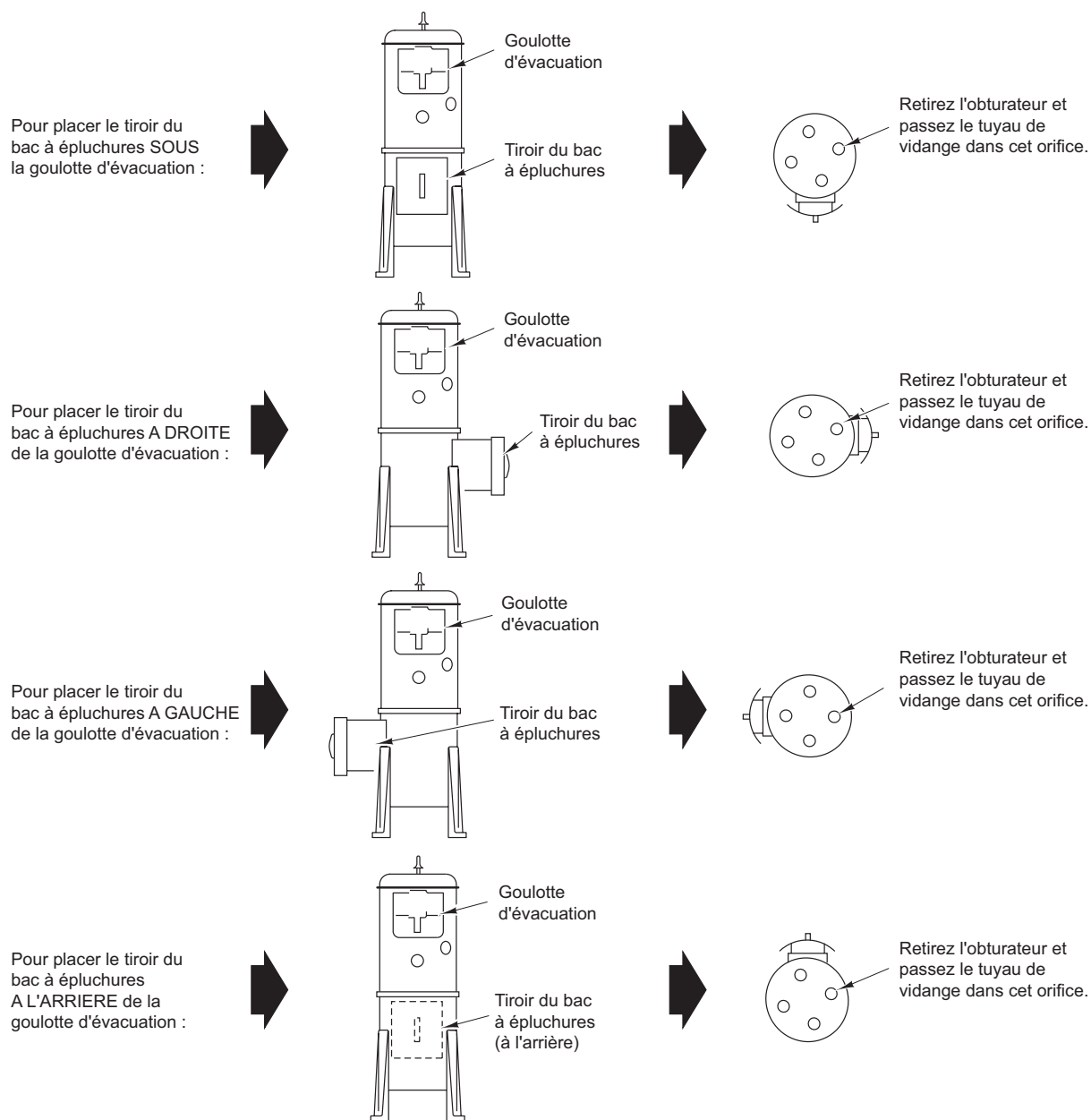
Fixez le tube de remplissage et son support (Fig. 1) sur l'éplucheuse à l'aide des écrous borgnes et des joints statiques fournis.

Le raccord de 1,27 cm (Fig. 1) du tube de remplissage doit être connecté sur une arrivée d'eau froide.

REMARQUE : un robinet à soupape doit être installé sur la conduite d'arrivée d'eau, à un emplacement pratique pour l'utilisateur, afin de contrôler le débit d'eau.

POSITION DE L'EPLUCHEUSE PAR RAPPORT AU BAC

VUE DU DESSUS DU BAC A EPLUCHURES



(Fig. 7)

6.10 FORMATION DE L'UTILISATEUR

Prenez le temps d'expliquer le bon fonctionnement et le nettoyage de l'éplucheuse aux utilisateurs, en vous référant au présent manuel. Confiez ce manuel à l'utilisateur en lui expliquant qu'il est important de l'utiliser comme référence ultérieure.

7.0 MAINTENANCE DE L'ÉPLUCHEUSE

⚠ AVERTISSEMENT L'entretien de l'éplucheuse doit être confié à un technicien Hobart qualifié et formé.



Ne retirez aucun cache et ne desserrez aucune pièce de fixation pendant le fonctionnement de l'éplucheuse. Vérifiez que l'alimentation électrique a été coupée avant de procéder à l'entretien de l'éplucheuse ou de la déplacer.

⚠ AVERTISSEMENT Débranchez l'éplucheuse du secteur avant toute procédure de maintenance.

7.1 LUBRIFICATION

L'éplucheuse est équipée de roulements à billes scellés qui ne requièrent donc aucune lubrification.

7.2 LOCALISATION DES PANNES

Panne	Cause possible
L'éplucheuse ne fonctionne pas.	L'éplucheuse n'est pas branchée. Disjoncteur déclenché. Vérifiez le fusible ou le disjoncteur.
Mousse en quantité excessive.	Trop d'eau dans la trémie.

8.0 PIECES DE RECHANGE RECOMMANDEES

00-479494-00004	Revêtement
00-875573	Kit de visserie
00-012430	Clé $\frac{3}{16}$ Sq. x $1\frac{1}{4}$

9.0 COORDONNEES DU SERVICE APRES-VENTE

Les techniciens SAV Hobart sont spécialement formés et stratégiquement placés dans nos agences SAV nationales. Ils sont à votre disposition pour vous fournir un service rapide, efficace et fiable. Protégez votre investissement en signant un contrat d'inspection Hobart qui garantira le bon fonctionnement de vos appareils, pièces de rechange et accessoires Hobart pendant de longues années. Pour vous débarrasser de votre éplucheuse, contactez un centre SAV Hobart qui vous indiquera comment nous retourner la machine.

10.0 REMARQUES



Modell

6430KARTOFFELSCHÄLER

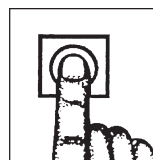
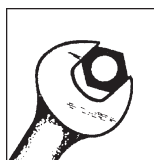
ML-136156

Seite 1 - Englisch

Seite 21 - Französisch

Seite 41 - Deutsch

INSTALLATION AND OPERATION MANUAL
MANUEL D'INSTALLATION ET D'UTILISATION
INSTALLATIONS- UND BEDIENUNGSANLEITUNG



DEUTSCH / INHALTSVERZEICHNIS

6430 CE Kartoffelschäler	Abschnitt	Seite
Sicherheitsinformationen	1.0	43
Sicherheitsrichtlinien	1.1	43
Warnsymbole	1.2	43
Haftung	1.3	44
Vorwort	2.0	44
Allgemeine Informationen	3.0	44
Umwelt	4.0	44
Verpackungsmaterial	4.1	44
Entsorgung Ihres Altgerätes	4.2	44
Sicherheitsanweisungen	5.0	44
Niemals	5.1	45
Immer	5.2	45
Benutzung des Kartoffelschälers	6.0	45
Erste Inbetriebnahme	6.1	46
Reinigung	6.2	47
Motor	6.3	48
Tabelle 1 Technische Informationen	6.3.1	49
Auspacken und Handhabung	6.4	49
Montage	6.5	50
Aufstellungsort	6.6	50
Abmessungen Kartoffelschäler	6.6.1	51
Elektrische Installation	6.7	52
Lexan-Auskleidung	6.8	53
Schalensammelbehälter	6.9	53
Schulung des Bedienpersonals	6.10	55
Wartung des Kartoffelschälers	7.0	56
Schmierung	7.1	56
Fehlersuche	7.2	56
Empfohlene Ersatzteile	8.0	57
Service-Adressen	9.0	58
Hinweise	10	59

1.0 SICHERHEITSINFORMATIONEN

Die in dieser Bedienungsanleitung beschriebenen Vorgehensweisen und Vorsichtsmaßnahmen beziehen sich nur auf den bestimmungsgemäßen Einsatz der Maschine. Wenn die Maschine anders als vorgeschrieben eingesetzt wird, ist der Bediener für seine eigene Sicherheit sowie die Sicherheit anderer Personen selbst verantwortlich.

Die in dieser Bedienungsanleitung enthaltenen Informationen wurden zusammengestellt, um dem Bediener zu helfen, den Kartoffelschäler zu verstehen, zu warten und zu bedienen. Um Unfälle zu vermeiden, lesen Sie alle in dieser Bedienungsanleitung aufgeführten Hinweise zu Vorsichtsmaßnahmen und Warnungen vor dem Aufstellen und Betreiben der Maschine sorgfältig durch. Lesen Sie diese Bedienungsanleitung gründlich durch, um ein sicheres Verständnis für den Kartoffelschäler und seine Möglichkeiten zu erhalten.

1.1 SICHERHEITSRICHTLINIEN

Stellen Sie sicher, dass bei der manuellen Handhabung des Kartoffelschälers die Vorsichtsmaßnahmen ausreichend beachtet werden, insbesondere bei der Aufstellung. Achten Sie auf die Einhaltung der Bestimmungen zur manuellen Handhabung.

- Diese Maschine darf nicht mit einem Hochdruckreiniger gereinigt werden. Befolgen Sie unbedingt die Reinigungsanweisungen in dieser Bedienungsanleitung.
- Entfernen Sie keine Abdeckungen und lösen Sie keine Verschraubungen, solange der Kartoffelschäler in Betrieb ist.
- Bewahren Sie diese Bedienungsanleitung zum Nachschlagen in greifbarer Nähe zum Kartoffelschäler auf.
- Alle Bediener müssen in den sicheren Betrieb des Kartoffelschälers eingewiesen werden.
- Bevor Sie den Kartoffelschäler warten oder verschieben, stellen Sie sicher, dass das Gerät von der Stromversorgung getrennt wurde.
- Drehende Maschinenteile und Strom sind mögliche Gefahrenquellen und können zu Verletzungen führen, wenn vor dem Betrieb oder der Wartung nicht ausreichende Vorsichtsmaßnahmen getroffen werden.
- Lassen Sie Ihren Kartoffelschäler regelmäßig (je nach Einsatzhäufigkeit, mindestens jedoch zwei Mal jährlich) warten.

1.2 WARNSYMBOL

Zur Kennzeichnung der Sicherheitshinweise in dieser Bedienungsanleitung werden die folgenden Symbole verwendet:

 WARNUNG Das Warnsymbol weist auf einen wichtigen Hinweis zur sicheren Anwendung des Geräts hin.



Das Elektrizitätszeichen weist auf Risiken durch Elektrizität hin. Ziehen Sie vor der Wartung und/oder Pflege des Geräts unbedingt den Netzstecker.

1.3 HAFTUNG

Installationen und Reparaturen, welche nicht von **autorisierten Technikern** durchgeführt wurden, die Verwendung von Nicht-Original-Ersatzteilen und **technische Änderungen** an der Maschine **können zum Verlust der in den Standard-Verkaufsbedingungen beschriebenen Garantieleistungen führen.**

2.0 VORWORT

Hobart behält sich das Recht vor, das Design seiner Produkte ohne vorherige Ankündigung zu ändern. Der Hersteller unternimmt jegliche Anstrengungen, dass die Anleitungen dem neuesten Design entsprechen, kann jedoch keine hundertprozentige Übereinstimmung gewährleisten. Halten Sie Ihren 6430 Kartoffelschäler sauber und in einem guten mechanischen und elektrischen Zustand, und Sie werden lange Freude an Ihrem Gerät haben.

3.0 ALLGEMEINE INFORMATIONEN

Die in dieser Bedienungsanleitung enthaltenen Informationen und Anleitungen decken möglicherweise nicht alle Details oder Abweichungen des Gerätes sowie alle Eventualitäten ab, die sich bei der Installation, beim Betrieb oder bei der Wartung des Gerätes ergeben können. Wenn Sie weitere Informationen benötigen, setzen Sie sich bitte mit Ihrem Hobart Verkaufsbüro in Verbindung.

Der Kartoffelschäler ist mit einem „Stromstopp“ ausgestattet, der einen automatischen Start nach einem Stromausfall oder einer vorübergehenden Unterbrechung der Verbindung zum Stromnetz verhindert.

4.0 UMWELT

4.1 VERPACKUNGSMATERIAL

Die Palette und das schützende Verpackungsmaterial bestehen aus umweltfreundlich recyclebaren oder wiederverwendbaren Materialien. Werfen Sie das Verpackungsmaterial bitte nicht einfach weg, sondern sorgen Sie dafür, dass es recycelt wird.



4.2 ENTSORGUNG IHRES ALTGERÄTES

Altgeräte enthalten Materialien, die recycelt werden können. Bitte fragen Sie bei Ihrer Müllsammelstelle (z.B. Wertstoffhof) oder in Ihrem Hobart Verkaufsbüro nach.

5.0 SICHERHEITSANWEISUNGEN

DER KARTOFFELSCHÄLER DARF NUR VON EINEM GUT AUSGEBILDETEN UND KOMPETENTEN BEDIENER BENUTZT WERDEN.

Die folgenden Anweisungen sind bei der Benutzung des Kartoffelschälers zu befolgen.

HINWEIS: Der Kartoffelschäler darf nur für den Zweck benutzt werden, für den er entworfen wurde. Die beiliegenden Anweisungen für den Betrieb müssen befolgt werden.

5.1 NIEMALS

- den Kartoffelschäler oder Anbauteile betreiben, wenn ein Fehler vorliegt oder der Kartoffelschäler nicht sicher ist.
- lose Kleidung tragen.
- bei laufender Maschine in das Magazin greifen.
- rotierende Teile berühren.
- während des Betriebs große Kräfte anwenden, welche die Stabilität des Kartoffelschälers beeinträchtigen können.
- den Kartoffelschäler einschalten, wenn Teile demontiert sind.
- den Kartoffelschäler benutzen, wenn dieser in einem unsichern Betriebszustand ist.
- den Kartoffelschäler mit Scheuerpulver oder einem Topfreiniger reinigen.

5.2 IMMER


- den Kartoffelschäler in einem gut beleuchteten Bereich betreiben.
- vor dem Reinigen den Kartoffelschäler von der Hauptstromversorgung trennen.
- den Kartoffelschäler täglich reinigen.
- den Kartoffelschäler anhalten, bevor Sie die geschälten Kartoffeln entnehmen oder neue Kartoffeln einfüllen.
- die Stopptaste benutzen, um die Maschine anzuhalten.
- nach dem Gebrauch das Magazin reinigen.
- den Kartoffelschäler mit einer milden Seife und Wasser reinigen.
- den Kartoffelschäler je nach Einsatzhäufigkeit warten, mindestens jedoch zwei Mal jährlich.
- den Kartoffelschäler bestimmungsgemäß und entsprechend der Bedienungsanleitung benutzen.

6.0 BENUTZUNG DES KARTOFFELSCHÄLERS

Das Kartoffelschäler-Modell 6430 besitzt einen Elektromotor mit $\frac{3}{4}$ PS und ist dafür ausgelegt, eine Schälmenge von 13,5 bis 15 kg innerhalb von 1 bis 3 Minuten zu schälen. Der 6430 besitzt einen 5-Minuten-Sychrontimer, der sich zwischen $\frac{1}{2}$ und 5 Minuten einstellen lässt, und benötigt einen Einphasen- oder Dreiphasen-Stromanschluss.

Der Kartoffelschäler ist mit einer verstärkten Schälscheibe mit permanent verklebten Schleifkörpern sowie einer Lexan-Auskleidung auf der Innenseite des Magazins ausgestattet. Der Timer befindet sich standardmäßig auf der rechten Seite der Entladerutsche, kann jedoch auch auf Wunsch an einer anderen Stelle montiert geliefert oder vor Ort umgesetzt werden. Der Boden der Kartoffelschäler-Einheit ist mit einem Gummieinsatz gedämpft, der auch eine Dichtfunktion besitzt.

Als optionales Zubehör sind z.B. ein Schalensammelbehälter, ein transportables Gestell und ein Schalensammelbehälter erhältlich.

 **WARNUNG** Dieser Kartoffelschäler ist nur für den professionellen Betrieb durch ausreichend ausgebildete Personen gedacht. Stellen Sie sicher, dass das Bedienpersonal diese Bedienungsanleitung gelesen und verstanden hat und ausreichend in die Maschine eingewiesen wurde.

6.1 ERSTE INBETRIEBNAHME

Überprüfen Sie vor der Installation die Stromversorgung, um sicherzustellen, dass diese den Spezifikationen auf dem Typenschild der Maschine entspricht.

Stellen Sie den Kartoffelschäler auf einer geeigneten, stabilen und ebenen Fläche auf. Stellen Sie sicher, dass um den Kartoffelschäler herum ausreichend Platz vorhanden ist, damit alle Bedienelemente erreicht werden können.

⚠️ WARNUNG Dieser Kartoffelschäler ist nur für den professionellen Betrieb durch ausreichend ausgebildete Personengedacht. Stellen Sie sicher, dass das Bedienpersonal diese Bedienungsanleitung gelesen und verstanden hat und ausreichend in die Maschine eingewiesen wurde.

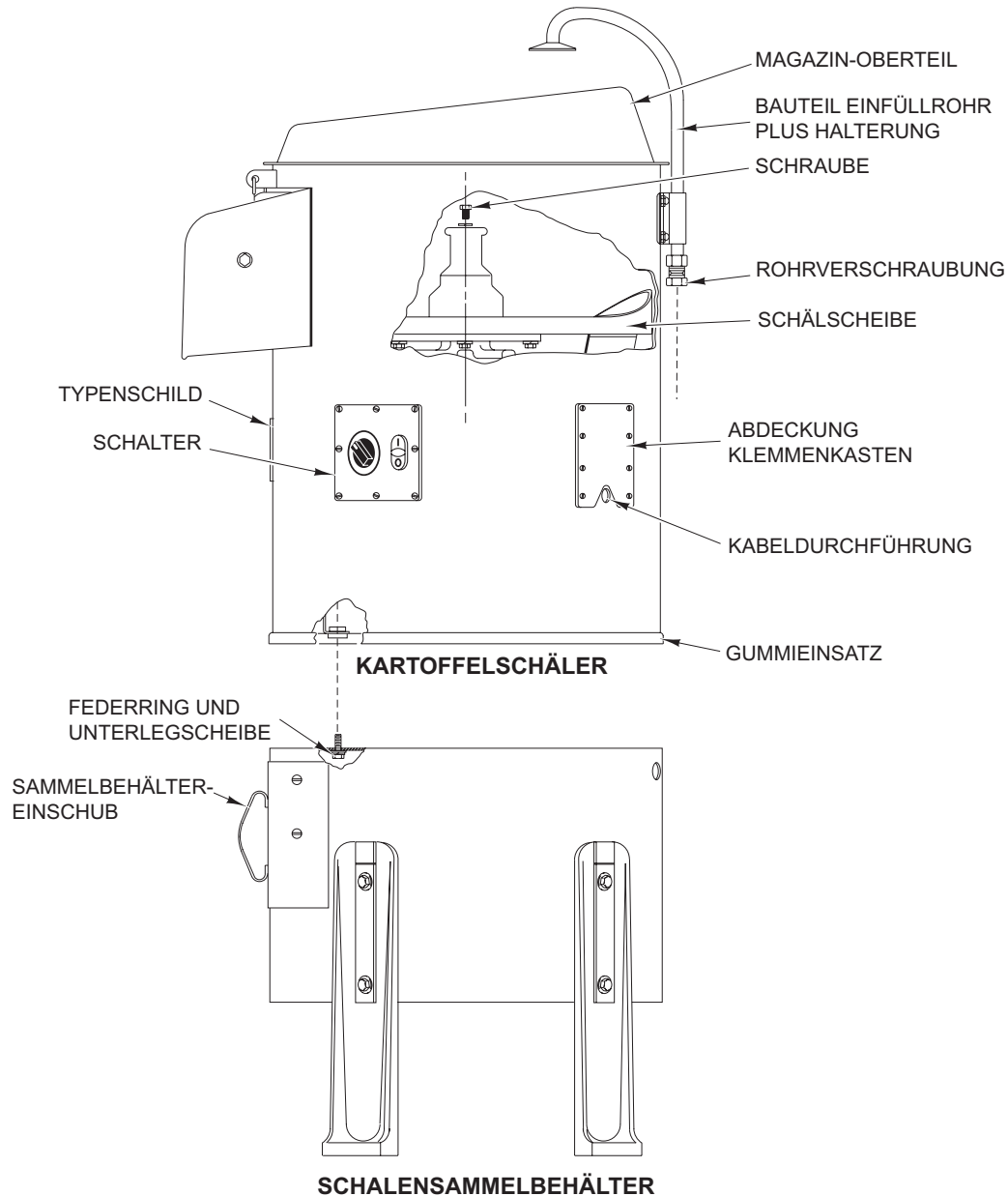


Abb. 1

Setzen Sie das Magazinoberteil (Abb. mit den Nasen am Oberteil als Positionierhilfe) auf das Gehäuse auf und drehen Sie das Oberteil im Uhrzeigersinn, bis es richtig positioniert ist.

Schließen und verriegeln Sie die Tür der Entladerutsche.

Füllen Sie das Produkt in das Magazin ein. Im Magazin muss noch ausreichend freier Raum verbleiben, damit sich das Produkt während des Schälvorgangs bewegen kann. Den Kartoffelschäler NICHT überladen. Die maximale Kapazität beträgt beim Modell 6430 zwischen 13,5 und 15 kg.

Drehen Sie den Wasserhahn auf. Schalten Sie bei Einheiten mit einem Müllschlucker den Müllschlucker am Schalter ein (Abb. 1). Hierdurch wird das Ventil geöffnet.

Schalten Sie den Kartoffelschäler ein. Stellen Sie bei Geräten mit einem Timer die gewünschte Schälzeit am Timer ein.

Je nach Art und Zustand des Produkts ergeben sich andere Schälzeiten. Wenn der gewünschte Schälgrad erreicht ist, stoppen Sie die Wasserzufuhr (bzw. den Müllschlucker). Stellen Sie einen Auffangbehälter unter die Entladerutsche, um das Produkt aufzufangen.

HINWEIS: Bei Geräten mit einem Timer muss der Timer nach Ablauf der eingestellten Zeit zurückgesetzt werden, damit genügend Zeit für das Entladen bleibt.

Nachdem das Produkt vollständig entladen wurde, schalten Sie den Kartoffelschäler aus. Der Vorgang kann nun wiederholt werden.

Wenn der Kartoffelschäler mit einem Schalensammelbehälter ausgestattet ist, muss der Schalensammelbehälter-Einschub regelmäßig (nach einigen Verarbeitungsvorgängen) geleert werden.

6.2 REINIGUNG

⚠️ WARNUNG Trennen Sie vor Reinigungs- oder Wartungsarbeiten die Maschine vom Stromnetz.

Der Kartoffelschäler muss nach jeder Benutzung gereinigt werden.

Sobald der Schälvorgang beendet ist und BEVOR das Magazin trocknen konnte, drehen Sie das Wasser an und spülen Sie den Innenraum des Magazins aus. Drehen Sie das Wasser wieder ab. Nehmen Sie das Magazinoberteil ab und reinigen Sie es in einem Spülbecken.

Nehmen Sie die Schälscheibe, die lose auf der Welle sitzt, aus der Maschine und reinigen Sie sie mit einer Bürste und einer milden Seife. Reinigen Sie das Gehäuse unterhalb der Schälscheibe mit milder Seife und Wasser.

Drehen Sie das Wasser an und reinigen Sie den Innenraum des Magazins gründlich mit einer milden Seife und einer Bürste. Spülen Sie das Magazin gründlich aus.

HINWEIS: Sollte die Schälscheibe festsitzen und sich NICHT leicht lösen lassen, entfernen Sie die Sechskantschraube an der Oberseite der Nabe und drehen Sie eine längere Schraube ein (z.B. $\frac{5}{16}$ "-18 x $\frac{1}{2}$ "), bis sich die Scheibe löst.

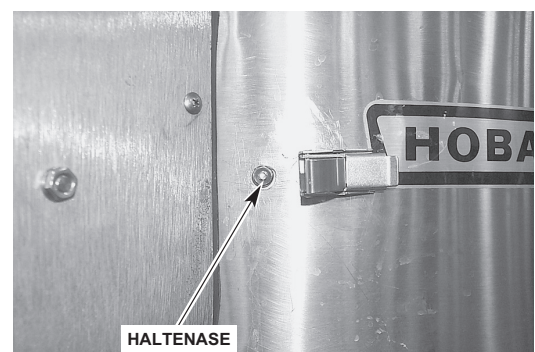


Abb. 2

Um die Lexan-Auskleidung zu entfernen, entriegeln Sie die äußere Sperre des Magazins und drücken Sie die Haltenase aus der Bohrung (Abb. 2). Schieben Sie die Auskleidung aus den Halteklemmen. Reinigen Sie die Auskleidung im Spülbecken mit einer nichtscheuernden Bürste, Seife und Wasser. Lassen Sie die Auskleidung vor dem Wiedereinbau an der Luft trocknen.

Falls der Einschub mit einem Schalensammelbehälter ausgestattet ist, entnehmen Sie den Einschub samt Sammelbehälter und reinigen Sie sowohl den Einschub als auch das Innere des Schalensammelbehälters gründlich.

Die Entladerutsche MUSS bei Nichtgebrauch der Einheit immer offen stehen, um die Lebensdauer der Türdichtung zu verlängern.

6.3 **MOTOR**

Diese Maschine ist mit einem manuell rückstellbaren Überlast-Schutzschalter ausgestattet, der sich auf dem Motor im Gehäuse des Kartoffelschälers befindet. Sollte der Motor während des Betriebs überhitzen und den Schalter auslösen, schalten Sie den Timer aus und lassen Sie den Motor einige Minuten lang abkühlen. Um den Schalter zurückzusetzen, entfernen Sie die obere Schraube des Abdeckblechs (Abb. 3), drehen Sie das Abdeckblech und drücken Sie die rote Taste (Abb. 3). Bringen Sie das Abdeckblech wieder in seine ursprüngliche Position und schrauben Sie die obere Schraube wieder fest.

Falls der Überlast-Schutzschalter fortlaufend ausgelöst wird, setzen Sie sich bitte mit Ihrem Hobart Service Center in Verbindung.

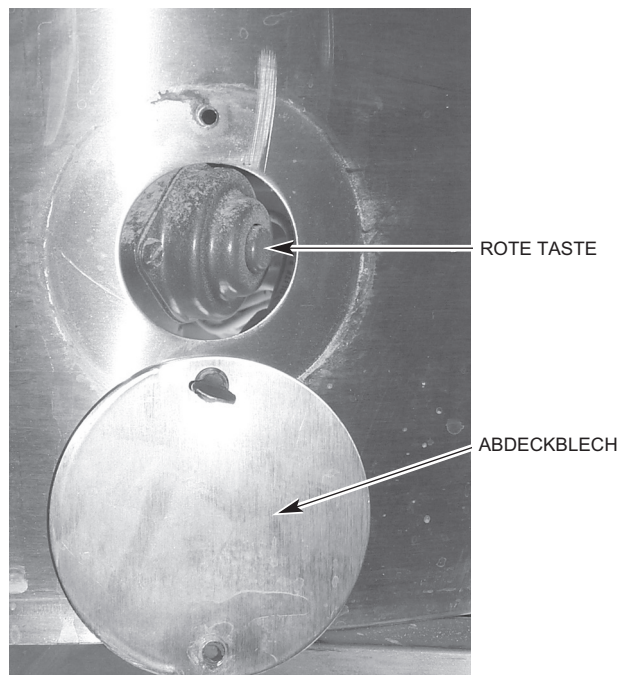


Abb. 3

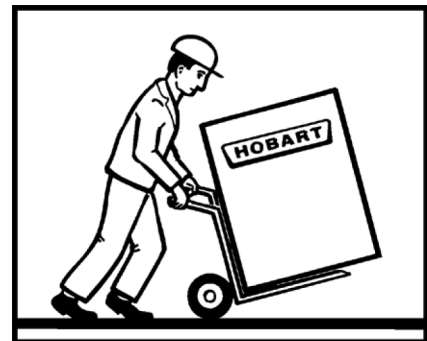
6.3.1 TABELLE 1 TECHNISCHE INFORMATIONEN

Beschreibung	Einheit	6430	
		1 Phase	3 Phasen
Leistung Kartoffelschäler	kW	0,56	0,746 (1)
Maximale Drehzahl der rotierenden Teile (50Hz)	U/min	1425	1450
Nennspannung	Volt	240	240
Volllaststrom bei o.g. Spannung	Ampère	7.84	4.36
Anzugsstrom bei o.g. Spannung	Ampère	35.9	26.1
Empfohlene Sicherung	Ampère	15	15
Minimale Umgebungstemperatur	°C	0	0
Maximale Umgebungstemperatur	°C	40	40
Gewicht Kartoffelschäler	Kg	63,6	63,6
Geräuschpegel	dB	##unter 70	##unter 80
Transportgewicht	Kg	66,8	66,8
Transportmaße	LxBxH cm	71,1 x 59,7 x 77,2	71,1 x 59,7 x 77,2
Lagerbedingungen	°C, % RL	+5 bis +38, 85	+5 bis +38, 85
Anwendungsklasse	--	Klasse 1	Klasse 1
Gehäuse, IP-Schutzklasse	--	IP45	IP35

In Übereinstimmung mit EN-ISO 12001:1996.

6.4 AUSPACKEN UND HANDHABUNG

Soweit möglich sollte der Kartoffelschäler in seiner Transportverpackung zum Installationsort transportiert werden, um Beschädigungen zu vermeiden. Schneiden Sie die Kiste nicht mit einem scharfen Messer auf, dabei könnte die Maschine beschädigt werden. Überprüfen Sie die Maschine auf mögliche Transportschäden. Falls Sie Transportschäden an der Maschine entdecken, heben Sie die Verpackung auf und setzen Sie sich mit dem nächsten Hobart Verkaufsbüro in Verbindung.



⚠️ WARNUNG Bei dem Kartoffelschäler 6430 handelt es sich um ein schweres Objekt. Achten Sie beim Transportieren und Anheben auf die korrekte Handhabung, um Verletzungen zu vermeiden. Gewichte und Maße finden Sie in Tabelle 1 auf Seite 9. Für die Installation in Großbritannien beachten Sie die Manual Handling Operations Regulations 1992 sowie die HSE Orientierungshilfen für manuelle Handhabung.

Wenn sich die Maschine in der Nähe der Aufstellposition befindet, entfernen Sie die Umverpackung.

Stellen Sie hierbei die folgenden Punkte sicher:

- Treffen Sie alle erforderlichen Sicherheitsmaßnahmen, um das korrekte Anheben und Umsetzen sicherzustellen und so das Verletzungsrisiko durch Fallenlassen und Kippen auszuschließen.
- Achten Sie darauf, die Maschine nicht zu beschädigen. Dies könnte sich auf den normalen Betrieb auswirken.

6.5 AUFSTELLUNG

Der Kartoffelschäler wurde vor Verlassen des Werks gründlich inspiziert. Der Spediteur übernimmt die volle Verantwortung für die Lieferung bis zum Empfang der Ware durch den Kunden. Prüfen Sie die Lieferung sofort nach Eingang auf mögliche Transportschäden.

Sollte der Kartoffelschäler beschädigt sein, tun Sie Folgendes;

1. Benachrichtigen Sie den Spediteur binnen fünf Werktagen nach Empfang der Ware.
2. Informieren Sie die lokale Vertretung des Spediteurs sofort über jegliche Schäden (Uhrzeit, Datum und Gesprächspartner vermerken) und begleiten Sie den Vorgang mit schriftlicher oder elektronischer Kommunikation.
3. Alle original Verpackungsmaterialien sind zwecks Inspektion aufzubewahren.
4. Der Kartoffelschäler darf nicht bewegt, installiert oder modifiziert worden sein.
5. Benachrichtigen Sie den Hobart Kundendienst unter (800) 333-7447.

Nach der Aufstellung und vor der Inbetriebnahmen MUSS die Maschine gereinigt werden. Siehe Abschnitt 6.2, Seite 7.

KARTOFFELSCHÄLER-EINHEIT (ABB. 1)

Nehmen Sie die Kartoffelschäler-Einheit aus ihrer Transportverpackung und entfernen Sie das Magazin-Oberteil. Entfernen Sie die Baugruppe Einfüllrohr plus Halterung vom Kartoffelschäler-Gehäuse und entnehmen Sie den Stoffbeutel mit der Einfüllrohrdichtung und den Hutmuttern. Den Gummieinsatz auf dem Boden des Kartoffelschälers NICHT ausbauen. Legen Sie den Kartoffelschäler auf die Seite. Lösen Sie vorsichtig die Klemme, die den Ablaufschlauch hält, und ziehen Sie den Ablaufschlauch nach unten, so dass er bis ca. $\frac{7}{8}$ " unter den Boden des Kartoffelschäler-Gehäuses reicht. Befestigen Sie die Klemme.

Einheiten OHNE Schalensammelbehälter: Befestigen Sie die Bodenplatte mit den Schrauben und Unterlegscheiben, die der Einheit beiliegen.

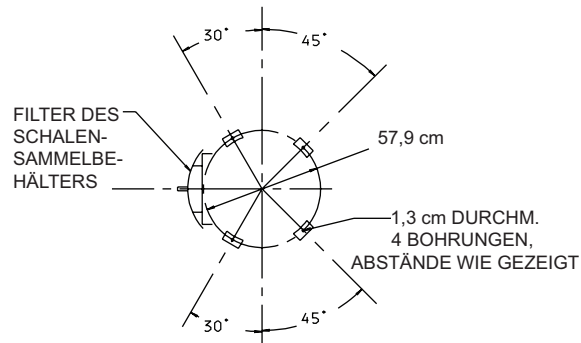
6.6 AUFSTELLUNGORT

⚠️ WARNUNG Der Kartoffelschäler ist nicht für den Gebrauch im Freien geeignet. Der Kartoffelschäler darf nur von geschultem Personal bedient werden. Daher muss der Aufstellungsort so gewählt werden, dass nur geschultes Personal das Gerät bedienen und warten kann.

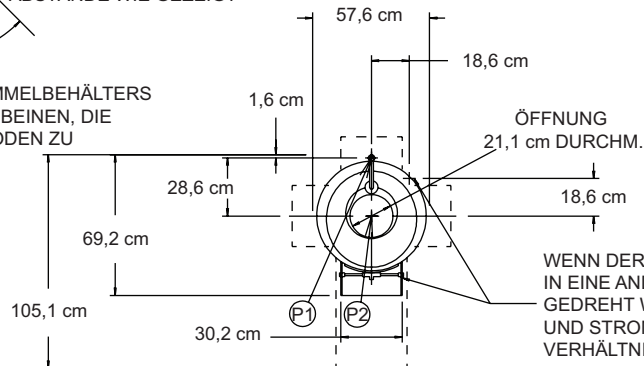
Der Kartoffelschäler muss auf einer waagerechten, flachen Ebene mit höchstens 0,1 % Gefälle aufgestellt werden. Wählen Sie eine geeignete ebene und waagerechte Fläche aus, die das Gewicht des gefüllten Kartoffelschälers tragen kann. Gewichte und Maße finden Sie in Tabelle 1 auf Seite 9. An Standorten, bei denen die Stabilität eine Rolle spielen kann, sollte die Maschine im Fußboden verankert werden.

Stellen Sie sicher, dass um den Kartoffelschäler herum ausreichend Platz vorhanden ist, damit alle Bedienelemente erreicht werden können. Durch zu geringe Abstände werden Wartungsarbeiten erschwert. Prüfen Sie auch immer, ob die Gerätespezifikationen bestimmte Abstände zu anderen Geräten vorschreiben. Die Gesamtmaße des Kartoffelschälers sowie die erforderlichen Abstände finden Sie auf den Seiten 11 und 12.

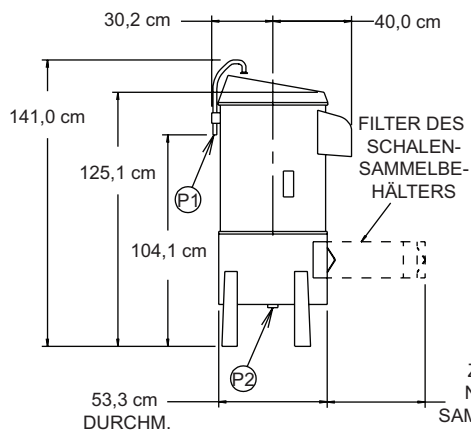
6.6.1 ABMESSUNGEN KARTOFFELSCHÄLER



DIE ANSICHT DES SCHALENSAMMELBEHÄLTERS ZEIGT DIE BOHRUNGEN IN DEN BEINEN, DIE FÜR EINE VERANKERUNG IM BODEN ZU VERWENDEN SIND

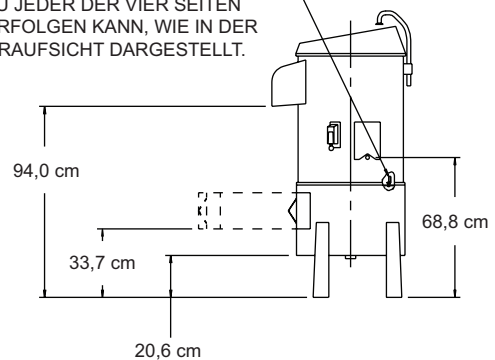


DER SCHALENSAMMELBEHÄLTER IST MIT VIER RADIAL ANGEORDNETEN SCHRAUBEN MIT DEM KARTOFFELSCHÄLER VERBUNDEN. DER ZUSAMMENBAU KANN SO ERFOLGEN, DASS DIE ENTLADUNG DES SCHÄLERS ZU JEDER DER VIER SEITEN ERFOLGEN KANN, WIE IN DER DRAUFSICHT DARGESTELLT.



ZUM EINSTELLEN DER GURTSPANNUNG DIE PLATTE ABNEHMEN

ZUM HERAUSNEHMEN DES SAMMELBEHÄLTERFILTERS IST EIN FREIER PALTZ VON 48,3 cm ERFORDERLICH



LEGENDE

P1 - ANSCHLUSS WASSERZULAUF (1/2" STANDARD INNENGEWINDE)
P2 - ANSCHLUSS WASSERABLAUF (2" STANDARD AUSSENGEWINDE)

HINWEISE:

ALLE VOM BODEN AUS GEMESSENEN MASSE KÖNNEN JE NACH EINSTELLUNG DER BEINE UM BIS ZU 2,1 CM LÄNGER AUSFALLEN

TRANSPORTGEWICHT KARTOFFELSCHÄLER UND SAMMELBEHÄLTER-EINHEIT: CA. 91,2 KG

TRANSPORTGEWICHT KARTOFFELSCHÄLER OHNE SAMMELBEHÄLTER-EINHEIT: 66,7 KG

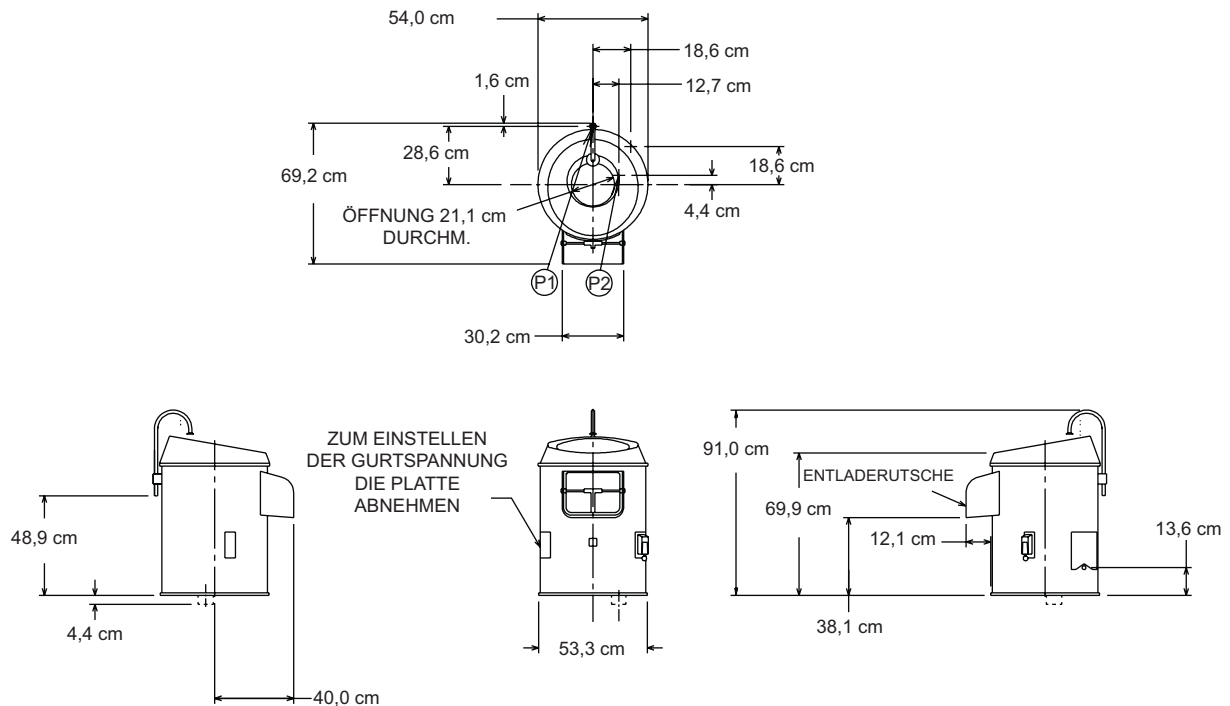
NETTOGEWICHT KARTOFFELSCHÄLER UND SAMMELBEHÄLTER-EINHEIT: 86,2 KG

WARNUNG

WASSERANSCHLÜSSE MÜSSEN DEN GELTENDEN SANITÄR-, SICHERHEITS- UND KLEMPNEREIVORSCHRIFTEN ENTSPRECHEN.

KARTOFFELSCHÄLER MODELL 6430
(MIT SCHALENSAMMELBEHÄLTER)

Installationsdiagramm (mit Sammelbehälter)



LEGENDE

P1 - WASSERANSCHLUSS: 1/2" STANDARD INNENGEWINDE
P2 - ABLAUSCHLAUCH: 60,325 MM I.D. x 69,85 MM A.D.

HINWEIS:

NETTOGEWICHT KARTOFFELSCHÄLER: 63,6 KG
TRANSPORTGEWICHT KARTOFFELSCHÄLER: 66,7 KG

WARNUNG

WASSERANSCHLÜSSE MÜSSEN DEN GELTENDEN SANITÄR-, SICHERHEITS- UND KLEMPNEREIVORSCHRIFTEN ENTSPRECHEN.

KARTOFFELSCHÄLER MODELL 6430
(OHNE SAMMELBEHÄLTER)

Installationsdiagramm (ohne Sammelbehälter)

6.7 ELEKTRISCHE INSTALLATION

⚠️ WARNUNG Die elektrische Installation des Kartoffelschälers muss mit den örtlichen behördlichen Vorschriften übereinstimmen. Bei der Montage in Großbritannien muss die Installation die aktuellen IEE-Bestimmungen für elektrische Geräte in Gebäuden sowie die Bestimmungen des Gesetzes Electricity at Work einhalten.

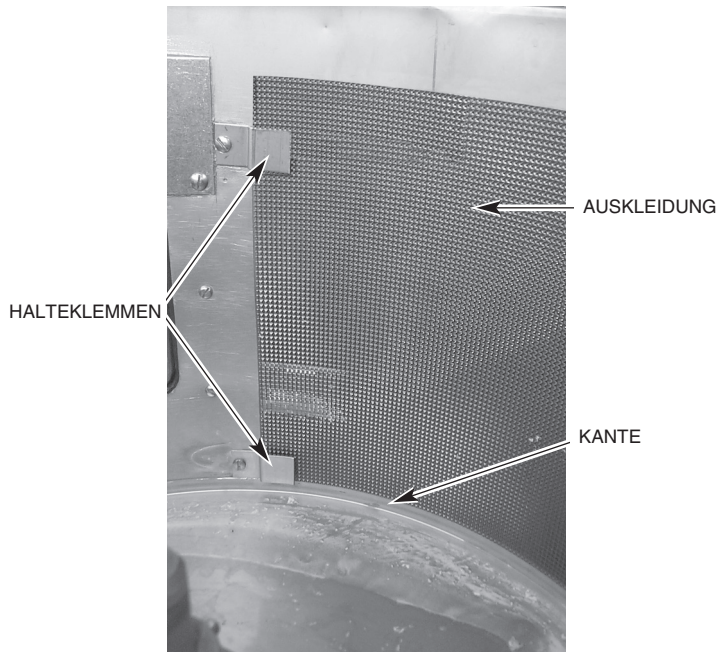
Die elektrische Installation muss von einer Fachkraft ausgeführt werden.

Die elektrischen Anforderungen zur Installation des Kartoffelschälers entnehmen Sie bitte den technischen Daten in Tabelle 1 auf Seite 9. Vergewissern Sie sich vor dem Anschluss des Geräts, dass die vorhandene Stromversorgung den technischen Anforderungen des Geräts entspricht.

Der Kartoffelschäler ist mit einem dreiadrigen Anschlusskabel ausgestattet, an das ein geeigneter Stecker mit Schutzkontakt angeschlossen werden kann. Der Stecker und die zugehörige Steckdose müssen ordnungsgemäß geerdet sein. Setzen Sie sich mit einem Elektriker in Verbindung. Sorgen Sie für ausreichenden Schutz durch eine Sicherung oder einen Sicherungsautomaten.

6.8 LEXAN-AUSKLEIDUNG

Schieben Sie die Auskleidung (Abb. 4) in das Magazin. Stellen Sie sicher, dass die Auskleidung auf der linken Seite der Entladerutsche unter den Halteklemmen (Abb. 4) sitzt und auf der Oberkante des Rings (Abb. 4) am Boden der Magazinkammer aufliegt.



(Abb. 4)



(Abb. 5)

Drücken Sie die Haltenase der Auskleidung in die dafür vorgesehene Bohrung (Abb. 5).

Sichern Sie die Haltenase mit der äußeren Sperre.

6.9 SCHALENSAMMELBEHÄLTER

Falls ein Schalenammelbehälter verwendet werden soll, nehmen Sie den Sammelbehälter aus der Transportverpackung. Nehmen Sie die Beine und den Stoffbeutel aus dem Schalenammelbehälter. Der Stoffbeutel enthält Schrauben und Zubehör für die Montage der Beine.

BEINE

Um ausreichend Platz für die Montage der Beine zu erhalten, muss der Schalenammelbehälter-Einschub (Abb. 1) herausgenommen werden.

Die Montage wird wie folgt ausgeführt (Abb. 6):

Legen Sie den Schalenammelbehälter auf die Seite. Setzen Sie eine der Gummidichtungen auf eine der gebogenen Beinklemmschrauben. Führen Sie die Schraube mit der Dichtung von innen durch eine der Bohrungen für die Befestigungsschrauben der Beine im Kartoffelschälergehäuse.

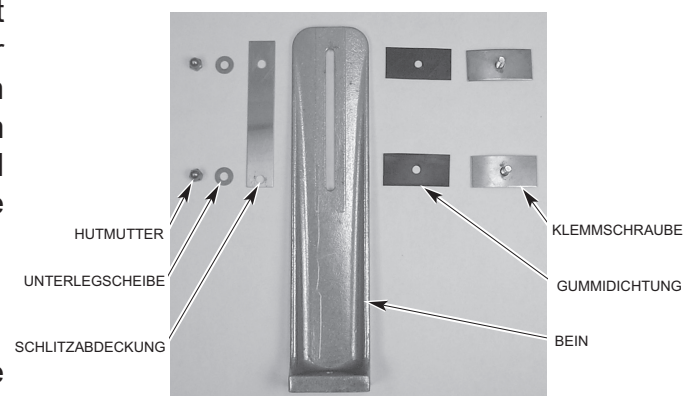


Abb. 6

Setzen Sie eines der Beine und die Beinschlitzabdeckung auf die Schraube auf. Setzen Sie eine Edelstahl-Unterlegscheibe und eine Hutmutter auf die Klemmschraube auf und ziehen Sie die Mutter leicht an. Stellen Sie die Einheit auf. Jedes Bein ist mit einer oberen und einer unteren Klemmschraubeneinheit ausgestattet. Wenn alle Beine montiert und leicht angezogen sind, stellen Sie das Gerät auf. Stellen Sie die Höhe jedes Beins so ein, dass das Gerät waagrecht steht, und ziehen Sie die Hutmuttern fest.

KARTOFFELSCHÄLER

Der Kartoffelschäler kann in vier Stellungen auf den Schalensammelbehälter montiert werden. Abhängig von der gewählten Stellung befindet sich der Schalensammelbehälter-Einschub jeweils in einer anderen relativen Position zur Entladerutsche.

Der Schalensammelbehälter-Einschub kann sich direkt unterhalb der Entladerutsche, rechts oder links oder auf der entgegengesetzten Seite befinden (siehe Abb. 7).

Nachdem Sie die für Sie bequemste Position für den Schalensammelbehälter-Einschub festgelegt haben, entfernen Sie die Deckscheibe von der entsprechenden Bohrung im Schalensammelbehälterdeckel und setzen Sie den Kartoffelschäler auf den Schalensammelbehälter, wobei der Ablaufschlauch des Kartoffelschälers durch die gewählte Bohrung geführt wird (Abb. 7).

Der mit dem Schalensammelbehälter-Einschub mitgelieferte Stoffbeutel enthält die Kopfschrauben, Federringe und Unterlegscheiben (Abb. 1) zur Montage des Kartoffelschälers am Schalensammelbehälter.

HINWEIS Durch zu festes Anziehen der Schrauben kann das Gehäuse beschädigt werden.

Falls gewünscht, können die Beine des Schalensammelbehälters am Fußboden verschraubt werden.

WASSERANSCHLUSS

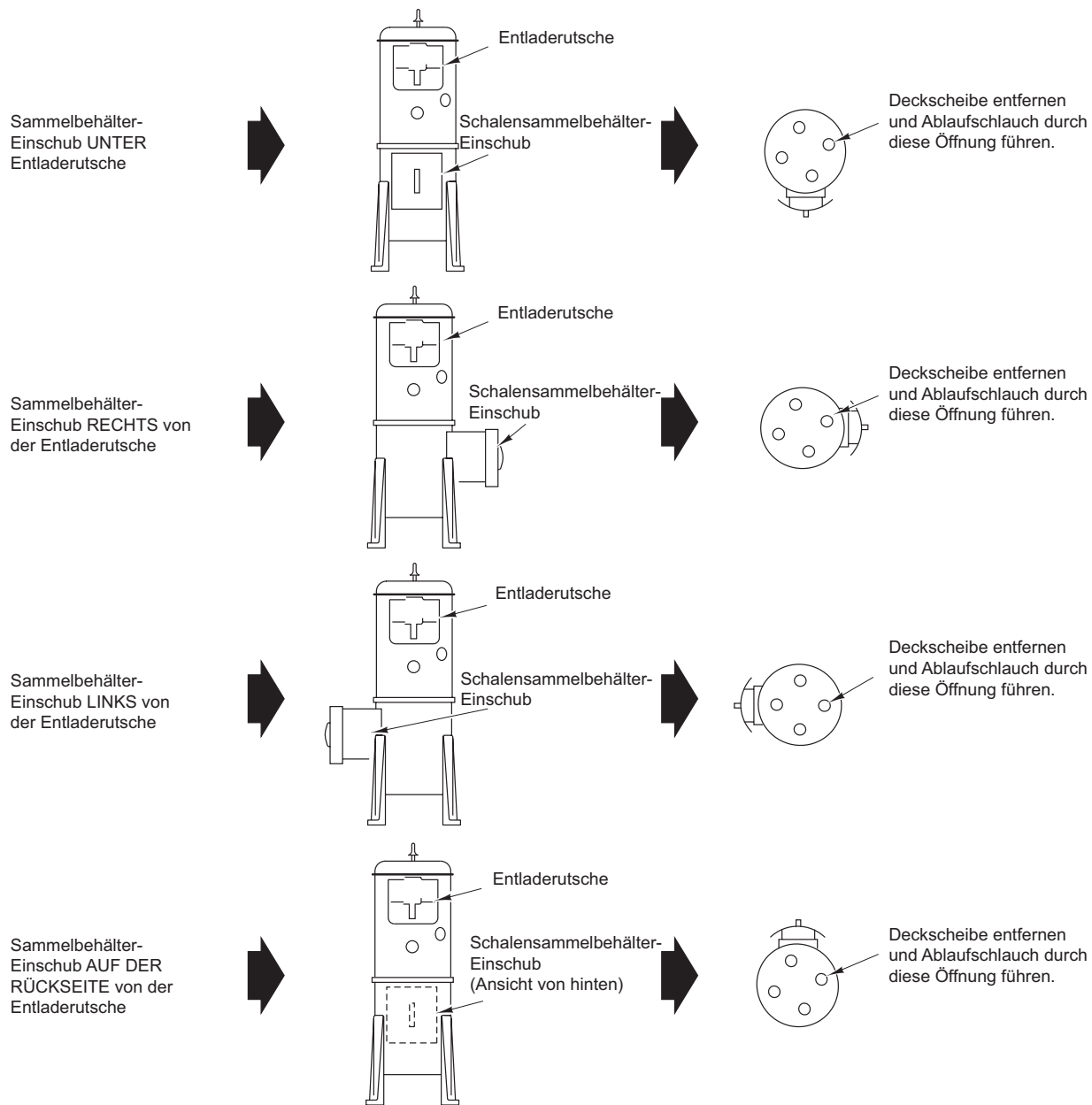
⚠️ WARNUNG Die Anschlüsse für den Wasserzu- und -ablauf müssen entsprechend den anwendbaren Sanitär-, Sicherheits- und Klempnereivorschriften ausgeführt werden.

Kartoffelschäler-Einheit

Montieren Sie die Baugruppe Einfüllrohr plus Halterung (Abb. 1) mit den vier Hutmuttern und der Dichtung am Kartoffelschäler.

Schließen Sie eine Kaltwasserzuleitung an die 1/2" Verschraubung des Einfüllrohres an (Abb. 1).

HINWEIS: Zur Regelung des Wasserdurchflusses sollte ein Ventil in die Wasserversorgungsleitung eingebaut werden, das vom Bediener gut zu erreichen ist.



(Abb. 7)

6.10 SCHULUNG DES BEDIENPERSONALS

Nehmen Sie sich Zeit, allen Bedienern auf der Grundlage dieser Bedienungsanleitung die richtige Bedienung und Reinigung des Kartoffelschälers zu erklären. Übergeben Sie diese Bedienungsanleitung dem Bediener und weisen Sie darauf hin, dass es wichtige Informationen für Betrieb, Reinigung und Wartung enthält.

7.0 WARTUNG DES KARTOFFELSCHÄLERS

⚠️ WARNUNG Die Instandhaltung des Kartoffelschälers sollte von einer von Hobart ausgebildeten und fachkundigen Person durchgeführt werden.



Entfernen Sie keine Abdeckungen und lösen Sie keine Verschraubungen, solange der Kartoffelschäler in Betrieb ist. Bevor Sie den Kartoffelschäler warten oder verschieben, stellen Sie sicher, dass das Gerät von der Stromversorgung getrennt wurde.

⚠️ WARNUNG Trennen Sie die Maschine vor dem Beginn von Wartungsarbeiten vom Stromnetz.

7.1 SCHMIERUNG

Der Kartoffelschäler ist mit versiegelten Kugellagern ausgestattet und muss daher nicht geschmiert werden.

7.2 FEHLERSUCHE

Fehler	Mögliche Ursache
Kartoffelschäler funktioniert nicht.	Stecker ist nicht eingesteckt. Leistungsschutzschalter hat ausgelöst, Sicherung oder Schutzschalter prüfen.
Übermäßige Schaumbildung.	Zu viel Wasser im Magazin.

8.0 EMPFOHLENE ERSATZETEILE

00-479494-00004	Montage Auskleidung
00-875573	Hardware-Kit
00-012430	Schlüssel $\frac{3}{16}$ Sq. x $1\frac{1}{4}$

9.0 SERVICEADRESSEN

Hobart bietet Ihnen technische Unterstützung durch geschulte Techniker in unseren nationalen Hobart Service-Centern, die Ihnen schnell, effizient und zuverlässig helfen werden. Schützen Sie Ihre Investition durch einen Wartungsvertrag mit Hobart, der Ihnen den einwandfreien, effizienten Betrieb Ihrer Hobart Maschinen, Ersatz- und Zubehörteile garantiert. Für die Entsorgung Ihres Kartoffelschälers wenden Sie sich bitte an Ihr Hobart Service Center.

10.0 HINWEISE

