



CATALOG OF REPLACEMENT PARTS



84145 FOOD CUTTER

ML-136203

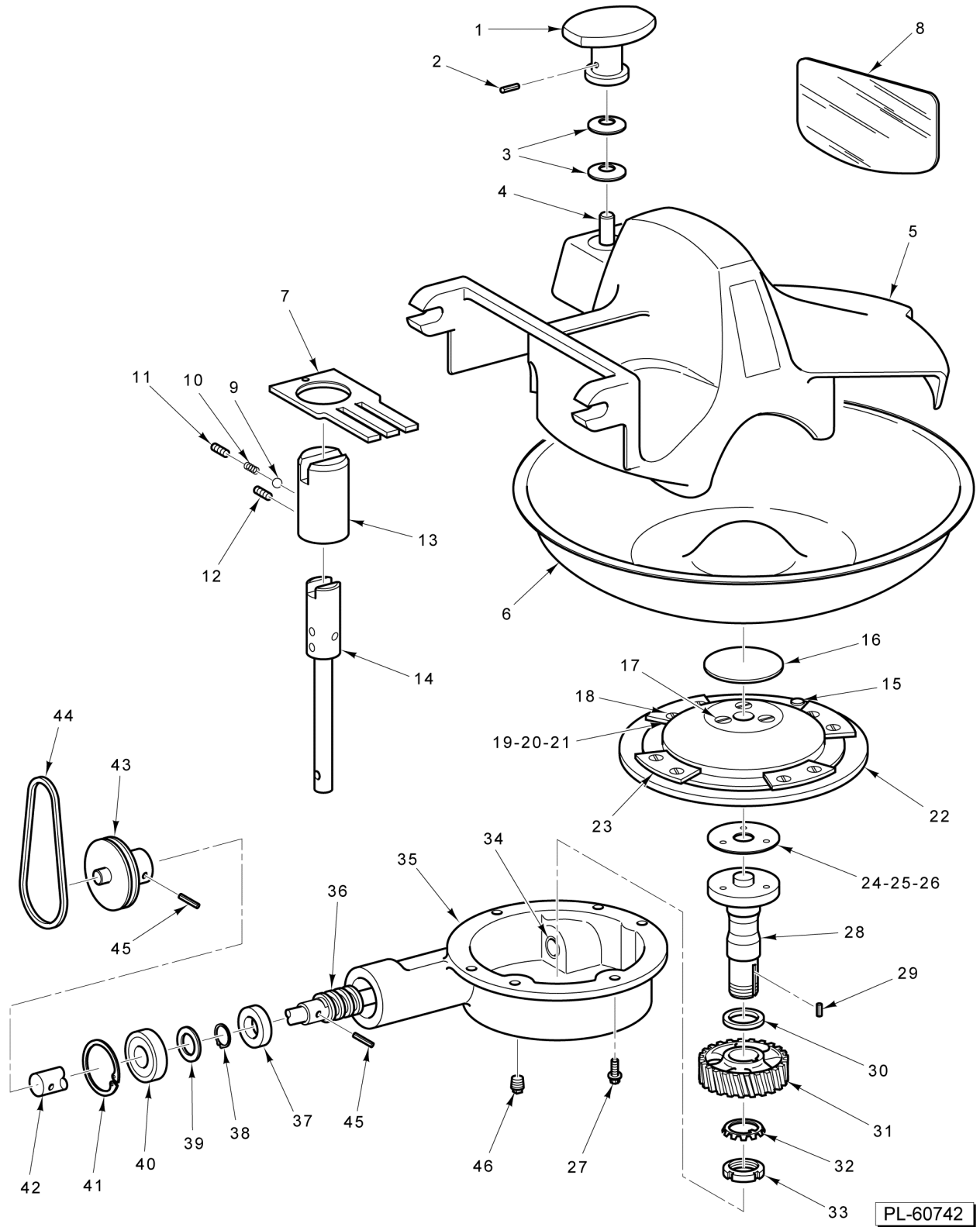
84145 (Korean)

Table of Contents

| | |
|----|-----------------------------------|
| 5 | MOTOR AND BASE UNIT |
| 7 | BOWL UNIT |
| 9 | SWITCH AND ELECTRICAL COMPONENTS |
| 11 | ATTACHMENT HUB AND EXTENSION FOOT |

MOTOR AND BASE UNIT

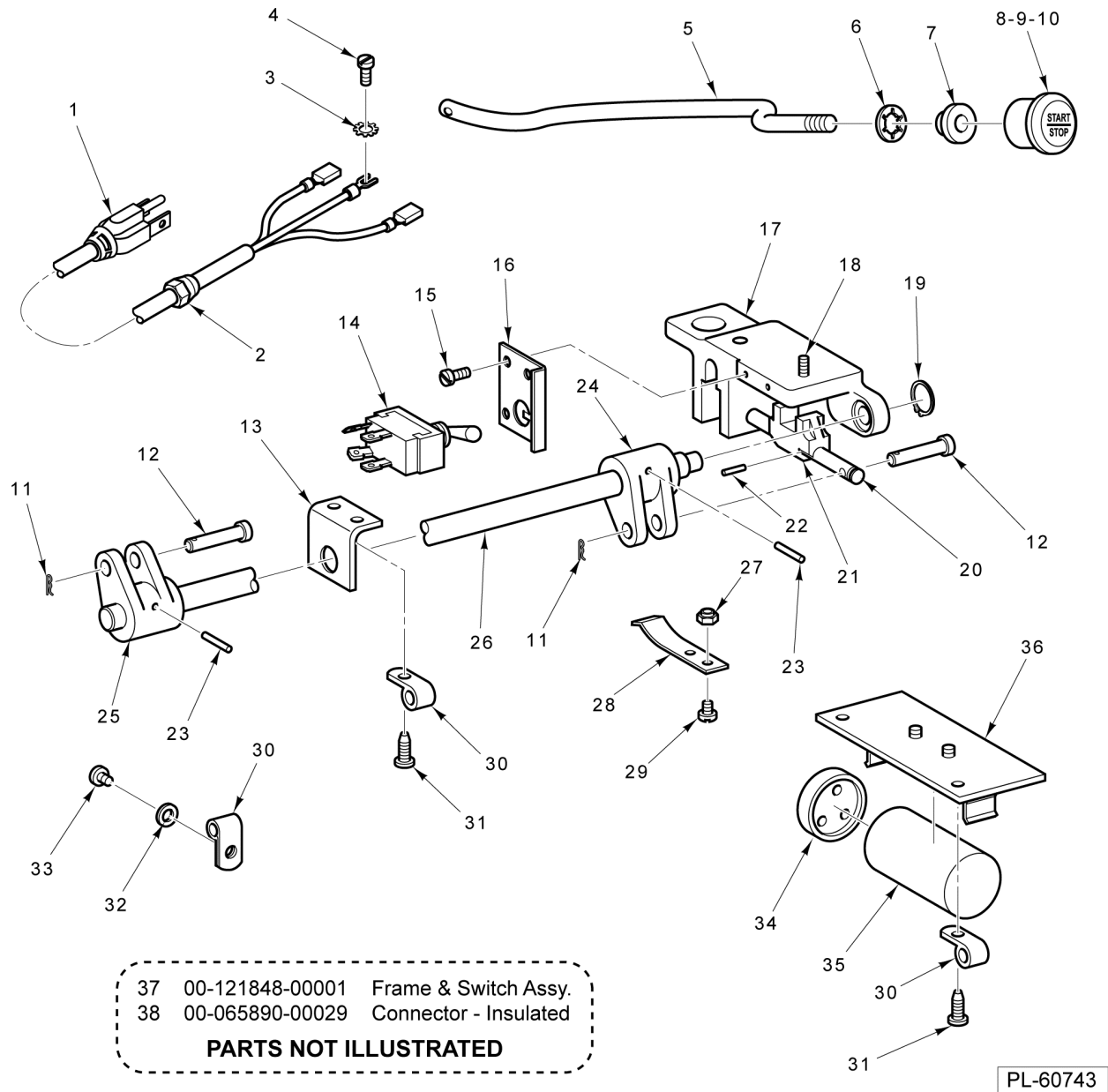
| ILLUS. | PART NO. | NAME OF PART | AMT. |
|----------|-----------------|---|------|
| PL-60741 | | | |
| 1 | RP-002-05 | Roll Pin 1/4 Dia. x 7/8 Lg..... | 1 |
| 2 | 00-270857 | Shaft - Knife..... | 1 |
| 3 | 00-116657 | Seal - Knife Shaft (Attachment End)..... | 1 |
| 4 | 00-012430-00142 | Key 1/4 x 1/4 x 1..... | 1 |
| 5 | SC-088-70 | Set Screw 10-24 x 1/4 Hex Hdls., Cup Pt..... | 2 |
| 6 | SC-047-82 | Set Screw 10-32 x 3/16 Hex Hdls., Cup Pt..... | 1 |
| 7 | 00-011800-00242 | Dowel..... | 1 |
| 8 | RR-011-20 | Retaining Ring..... | 1 |
| 9 | 00-077362 | Insert - Bearing..... | 1 |
| 10 | BB-015-22 | Bearing - Ball..... | 1 |
| 11 | SL-003-10 | Loading Spring - N.D. #62..... | 1 |
| 12 | 00-116633 | Cap - End (Knife End)..... | 1 |
| 13 | 00-124669 | Seal - Knife Shaft (Knife End)..... | 1 |
| 14 | 00-873615 | Knife Assy. (Packaged) (Incls. Items 15 thru 19)..... | 1 |
| 15 | 00-071313 | Bushing - Knife Retaining..... | 1 |
| 16 | 00-071309 | Knife - Rotary (Leader)..... | 1 |
| 17 | 00-071312 | Collar - Knife Retainer Bushing..... | 1 |
| 18 | 00-071310 | Knife - Rotary (Follower)..... | 1 |
| 19 | 00-071311 | Collar - Locking..... | 1 |
| 20 | 00-915659 | Insert - Knife Shaft..... | 1 |
| 21 | 00-915658 | Knob - Fluted..... | 1 |
| 22 | SC-067-09 | Mach. Screw 10-32 x 5/8 Hex Hd..... | 3 |
| 23 | RR-007-07 | Retaining Ring..... | 2 |
| 24 | BB-005-34 | Bearing - Ball..... | 2 |
| 25 | 00-118088-00001 | Base, Bearing & Logo Assy. (1 Ph.)..... | 1 |
| 26 | 00-116644 | Shaft - Bowl Cover Hinge..... | 1 |
| 27 | 00-118364 | Logo (Hobart)..... | 2 |
| 28 | 00-116632 | Pulley - Knife Shaft (20T)..... | 1 |
| 29 | BB-007-52 | Bearing - Ball..... | 1 |
| 30 | SC-040-16 | Cap Screw 5/16-18 x 1 Socket Fil. Hd..... | 2 |
| 31 | WL-003-44 | Lockwasher 5/16 Helical..... | 8 |
| 32 | WS-017-16 | Washer..... | 4 |
| 33 | 00-117037-00001 | Motor Bracket Assy..... | 1 |
| 34 | 00-291284 | Washer - Toothed..... | 4 |
| 35 | NS-013-14 | Nut 5/16-18 Hex..... | 4 |
| 36 | WS-006-48 | Washer..... | AR |
| 37 | SC-036-27 | Cap Screw 5/16-18 x 1 Hex Hd..... | 2 |
| 38 | RR-007-18 | Retaining Ring..... | 1 |
| 39 | 00-292466-00002 | Fan - Ventilating..... | 1 |
| 40 | RR-007-21 | Retaining Ring..... | 1 |
| 41 | 00-116650 | Pulley - Motor Timing (20T)..... | 1 |
| 42 | 00-116649 | Flange - Motor Pulley..... | 2 |
| 43 | WS-029-28 | Washer..... | 1 |
| 44 | NS-017-30 | Jam Nut 1/2-20 Hex Fin..... | 1 |
| 45 | 00-291589 | Pulley - Motor Drive..... | 1 |
| 46 | 00-116634 | Belt - Timing (42T)..... | 1 |
| 47 | 00-012430-00064 | Key..... | 1 |
| 48 | 00-293924-00001 | Motor Assy. (115/230 V., 60 Hz., 1 Ph.)..... | 1 |
| 49 | WL-006-06 | Lockwasher #10 Helical (SST)..... | 1 |
| 50 | 00-077772-00002 | Leg (3 In.)..... | 4 |
| 51 | 00-064814 | Cap - Leg End..... | 4 |
| 52 | 00-290061-00003 | Stud - Leg (3 In.)..... | 4 |
| 53 | 00-083681 | Foot - Rubber..... | 4 |
| 54 | SD-024-44 | Self-Tapping Screw 10-24 x 1/2 Pan Hd., Type TT..... | 10 |
| 55 | WL-010-06 | Lockwasher #10 External Shakeproof..... | 1 |
| 56 | 00-116712 | Bottom Cover & Weld Nut Assy..... | 1 |



BOWL UNIT

BOWL UNIT

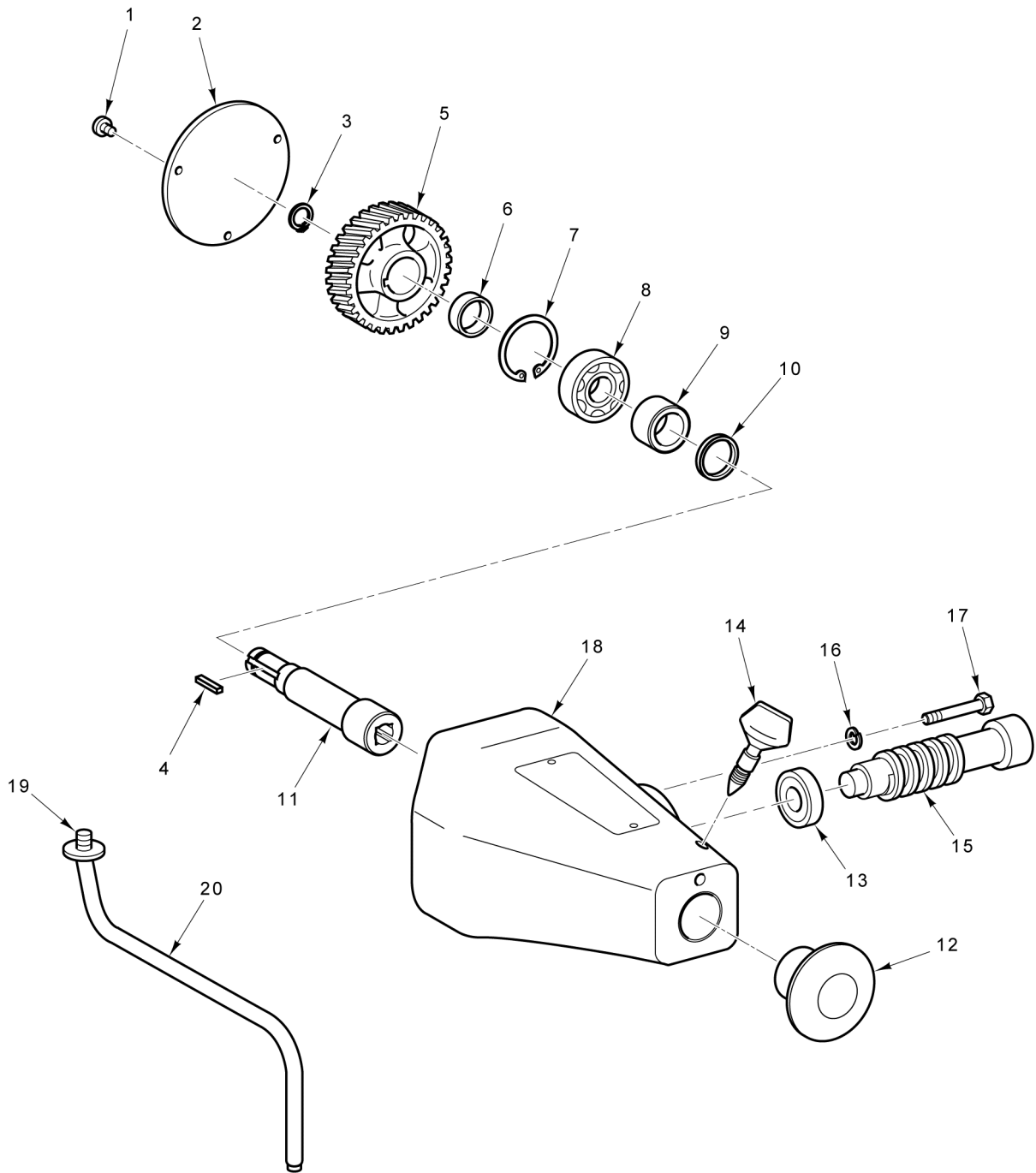
| ILLUS. PL-60742 | PART NO. | NAME OF PART | AMT. |
|--------------------|-----------------|--|------|
| 1 | 00-116814 | Handle - Locking..... | 1 |
| 2 | PG-011-16 | Pin - Grooved 3/16 x 7/8 Type C (SST)..... | 1 |
| 3 | 00-077374 | Washer - Belleville..... | 2 |
| 4 | 00-117168 | Bolt - Interlock..... | 1 |
| 5 | 00-120262-00002 | Bowl Cover..... | 1 |
| 6 | 00-291586-00001 | Bowl & Adapter Assy..... | 1 |
| 7 | 00-116642 | Comb..... | 1 |
| 8 | 00-118801 | Scraper - Bowl..... | 1 |
| 9 | BA-002-10 | Ball 1/4 Dia. (SST)..... | 1 |
| 10 | 00-077381 | Spring - Ball Detent..... | 1 |
| 11 | SC-110-99 | Set Screw 5/16-18 x 3/8 Soc. Hdls., Oval Pt..... | 1 |
| 12 | SC-111-01 | Set Screw 5/16-18 x 1/2 Soc. Hdls., Cup Pt..... | 1 |
| 13 | 00-077376 | Adapter - Locking..... | 1 |
| 14 | 00-116829 | Interlock Control Shaft Assy..... | 1 |
| 15 | 00-088417 | Pin - Bowl Stop..... | 1 |
| 16 | 00-116651 | Cover - Bowl Support..... | 1 |
| 17 | SC-022-32 | Mach. Screw 1/4-20 x 1/2 Slotted Flat Hd. (SST)..... | 3 |
| 18 | SC-053-09 | Mach. Screw 1/4-28 x 1/2 Truss Hd..... | 8 |
| 19 | 00-116653-00003 | Shim - Clamp (0.001 Thk.) (Amber)..... | AR |
| 20 | 00-116653-00001 | Shim - Clamp (0.002 Thk.) (Red)..... | AR |
| 21 | 00-116653-00002 | Shim - Clamp (0.003 Thk.) (Green)..... | AR |
| 22 | 00-291587-00002 | Support - Bowl..... | 1 |
| 23 | 00-078061 | Clamp - Bowl Support..... | 4 |
| 24 | 00-116654-00001 | Shim (0.003 Thk.) (Green)..... | AR |
| 25 | 00-116654-00002 | Shim (0.005 Thk.) (Blue)..... | AR |
| 26 | 00-116654-00003 | Shim (0.010 Thk.) (Brown)..... | AR |
| 27 | SD-015-25 | Self-Tapping Screw 1/4-20 x 5/8 Hex Washer Hd., Type TT..... | 4 |
| 28 | 00-116627 | Shaft - Bowl Support..... | 1 |
| 29 | 00-012430-00043 | Key 3/16 Sq. x 7/16 Lg..... | 1 |
| 30 | 00-116647 | Spacer - Bowl Drive..... | 1 |
| 31 | 00-116625 | Gear - Bowl Drive (40T)..... | 1 |
| 32 | WL-012-04 | Lockwasher N.D. #W-03..... | 1 |
| 33 | NS-034-04 | Lock Nut N.D. #N-03..... | 1 |
| 34 | BN-002-08 | Needle Bearing - Torrington (#B-108)..... | 1 |
| 35 | 00-116623 | Case - Gear..... | 1 |
| 36 | 00-077349 | Worm - Horizontal Bowl Drive Shaft..... | 1 |
| 37 | 00-116658 | Seal - Bowl Drive..... | 1 |
| 38 | RR-004-18 | Retaining Ring..... | 1 |
| 39 | WS-010-01 | Washer..... | 1 |
| 40 | BB-005-30 | Ball Bearing NSK #6203DDUCE..... | 1 |
| 41 | RR-007-08 | Retaining Ring..... | 1 |
| 42 | 00-116626 | Shaft - Bowl Drive..... | 1 |
| 43 | 00-291588-00002 | Pulley - Bowl Drive..... | 1 |
| 44 | BV-013-21 | V-Belt..... | 1 |
| 45 | RP-003-14 | Pin - Roll 3/16 x 7/8..... | 2 |
| 46 | FP-028-42 | Plug - Pipe 1/8..... | 1 |



SWITCH AND ELECTRICAL COMPONENTS

SWITCH AND ELECTRICAL COMPONENTS

| ILLUS. PL-60743 | PART NO. | NAME OF PART | AMT. |
|--------------------|-----------------|--|------|
| 1 | 00-117542-00114 | Cord & Plug Assy..... | 1 |
| 2 | FE-007-21 | Bushing - Strain Relief..... | 1 |
| 3 | WL-007-12 | Lockwasher #10 External Shakeproof..... | 1 |
| 4 | SD-024-01 | Self-Tapping Screw 10-24 x 3/8 Slotted Pan Hd., Type TT..... | 1 |
| 5 | 00-116755 | Rod - Upper Switch Control..... | 1 |
| 6 | RR-004-17 | Retaining Ring..... | 1 |
| 7 | 00-117705 | Bushing - Switch Rod..... | 1 |
| 8 | 00-120126 | Knob - Pull & Label Assy..... | 1 |
| 9 | SC-047-95 | Set Screw 5/16-18 x 1/4 Hex Hdls., Cup Pt..... | 1 |
| 10 | 00-119601 | Label - Knob..... | 1 |
| 11 | PC-003-23 | Pin - Cotter 1/16 x 1/2..... | 2 |
| 12 | 00-077390 | Pin - Clevis..... | 2 |
| 13 | 00-117633 | Bracket - Switch Control Rod..... | 1 |
| 14 | 00-087711-148-1 | Switch (With Nuts)..... | 1 |
| 15 | SD-024-44 | Self-Tapping Screw 10-24 x 1/2 Pan Hd., Type TT..... | 2 |
| 16 | 00-116759 | Bracket - Switch Mounting..... | 1 |
| 17 | 00-121844 | Frame - Switch Interlock..... | 1 |
| 18 | SD-015-25 | Self-Tapping Screw 1/4-20 x 5/8 Hex Washer Hd., Type TT..... | 2 |
| 19 | RR-007-10 | Retaining Ring..... | 1 |
| 20 | 00-116640-00001 | Shaft - Switch Interlock..... | 1 |
| 21 | 00-118953 | Block - Switch Actuator..... | 1 |
| 22 | RP-002-12 | Rollpin 1/8 Dia. x 1/2 Lg..... | 3 |
| 23 | RP-002-36 | Pin - Roll 1/8 x 1..... | 2 |
| 24 | 00-116713 | Clevis (Switch Frame End)..... | 1 |
| 25 | 00-116713 | Clevis (Switch Rod End)..... | 1 |
| 26 | 00-121843 | Shaft - Switch Control..... | 1 |
| 27 | NS-031-01 | Stop Nut - Special..... | 2 |
| 28 | 00-117636 | Spring..... | 1 |
| 29 | SC-025-23 | Mach. Screw 6-32 x 1/4 Slotted Bndg. Hd. (SST)..... | 2 |
| 30 | 00-078752-00004 | Retainer (7/16 In.)..... | 2 |
| 31 | SD-024-44 | Self-Tapping Screw 10-24 x 1/2 Pan Hd., Type TT..... | AR |
| 32 | WS-002-12 | Washer..... | 1 |
| 33 | SD-024-13 | Self-Tapping Screw 8-32 x 3/8 Pan Hd., Type TT..... | 1 |
| 34 | 00-070486-00002 | Cap - Capacitor End..... | 1 |
| 35 | 00-070487-00001 | Capacitor (1 Ph.)..... | 1 |
| 36 | 00-117081-00001 | Bracket - Capacitor Mounting..... | 1 |
| 37 | 00-121848-00001 | Frame & Switch Assy. (115/230 V., 60 Hz., 1 Ph.) (Incls Items 14 thru 17)..... | 1 |
| 38 | 00-065890-00029 | Connector - Insulated..... | 1 |



PL-60744

ATTACHMENT HUB AND EXTENSION FOOT

ATTACHMENT HUB AND EXTENSION FOOT

| ILLUS. PL-60744 | PART NO. | NAME OF PART | AMT. |
|--------------------|-----------------|--|------|
| 1 | SC-053-02 | Mach. Screw 10-24 x 1/2 Slotted Truss Hd. (SST)..... | 3 |
| 2 | 00-116641 | Plate - Back..... | 1 |
| 3 | RR-004-18 | Retaining Ring..... | 1 |
| 4 | 00-012430-00044 | Key..... | 1 |
| 5 | 00-116630 | Gear - Attachment Drive (33T)..... | 1 |
| 6 | 00-116652 | Spacer - Gear..... | 1 |
| 7 | RR-007-07 | Retaining Ring..... | 1 |
| 8 | BB-018-43 | Ball Bearing - Hoover #9204..... | 1 |
| 9 | 00-083440 | Bearing - Powdered Iron..... | 1 |
| 10 | 00-070090 | Seal - Attachment Hub..... | 1 |
| 11 | 00-116629 | Shaft - Attachment Hub Drive..... | 1 |
| 12 | 00-114824-00001 | Plug - Attachment Hub..... | 1 |
| 13 | BB-005-16 | Ball Bearing #202K..... | 1 |
| 14 | 00-108197-00002 | Thumb Screw 1/2-12..... | 1 |
| 15 | 00-116631 | Shaft - Worm..... | 1 |
| 16 | WL-003-44 | Lockwasher 5/16 Helical..... | 3 |
| 17 | SC-040-74 | Cap Screw 5/16-18 x 2 Socket Fil. Hd..... | 3 |
| 18 | 00-118255-00002 | Attachment Hub (Incls. Items 7 thru 10)..... | 1 |
| 19 | SC-101-12 | Shoulder Screw 5/16 Dia. x 1/2 Lg. 1/4-20 Hex Socket Hd..... | 1 |
| 20 | 00-117712-00002 | Extension Foot Assy. (Use With 3 In. Legs)..... | 1 |

