

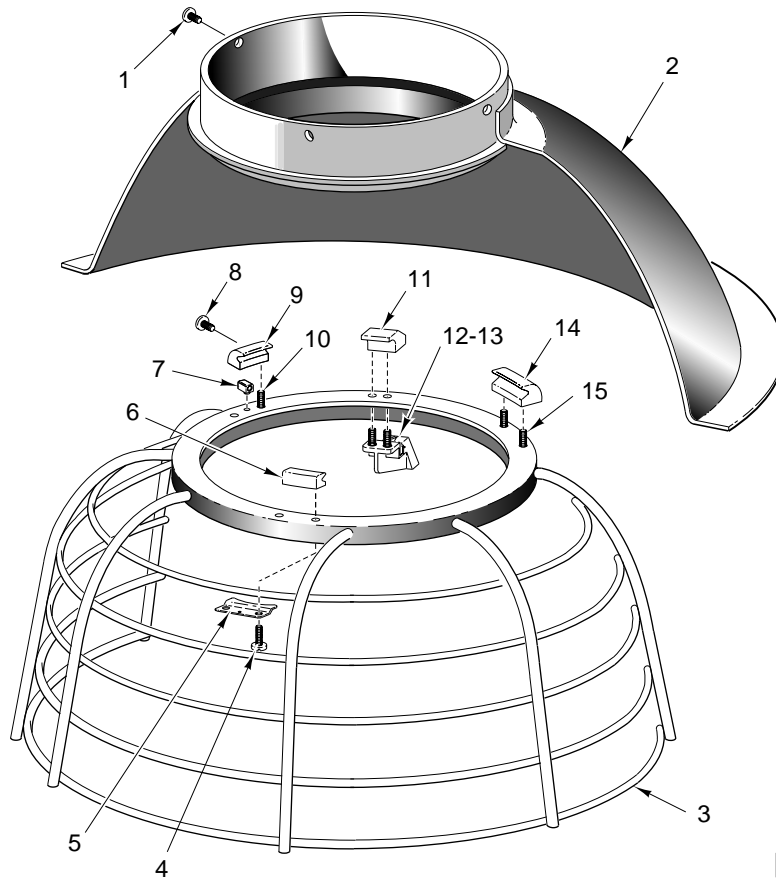


CATALOG OF REPLACEMENT PARTS

MODEL A200 & A200T SERIES MIXER

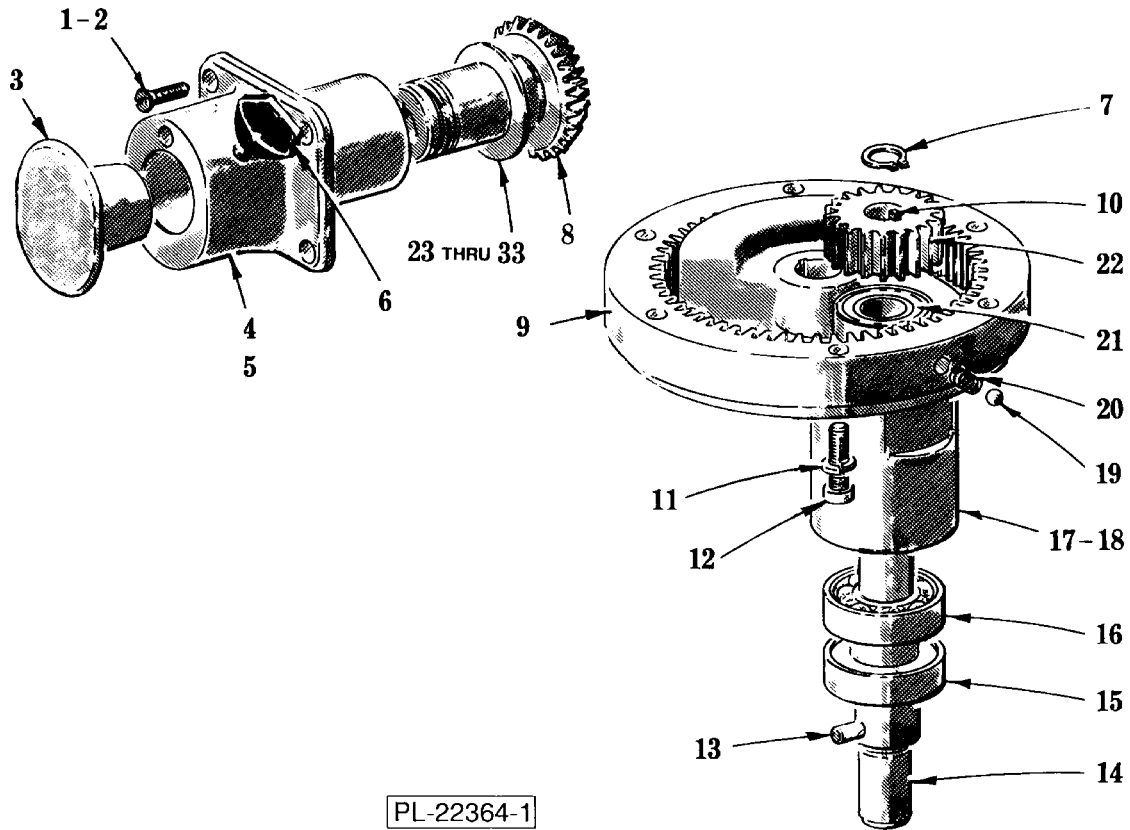
(INCLUDES MOTOR PARTS)

ML-104567	A200
ML-104568	A200T
ML-104569	A200DT
ML-104570	A200FT



BOWL GUARD UNIT

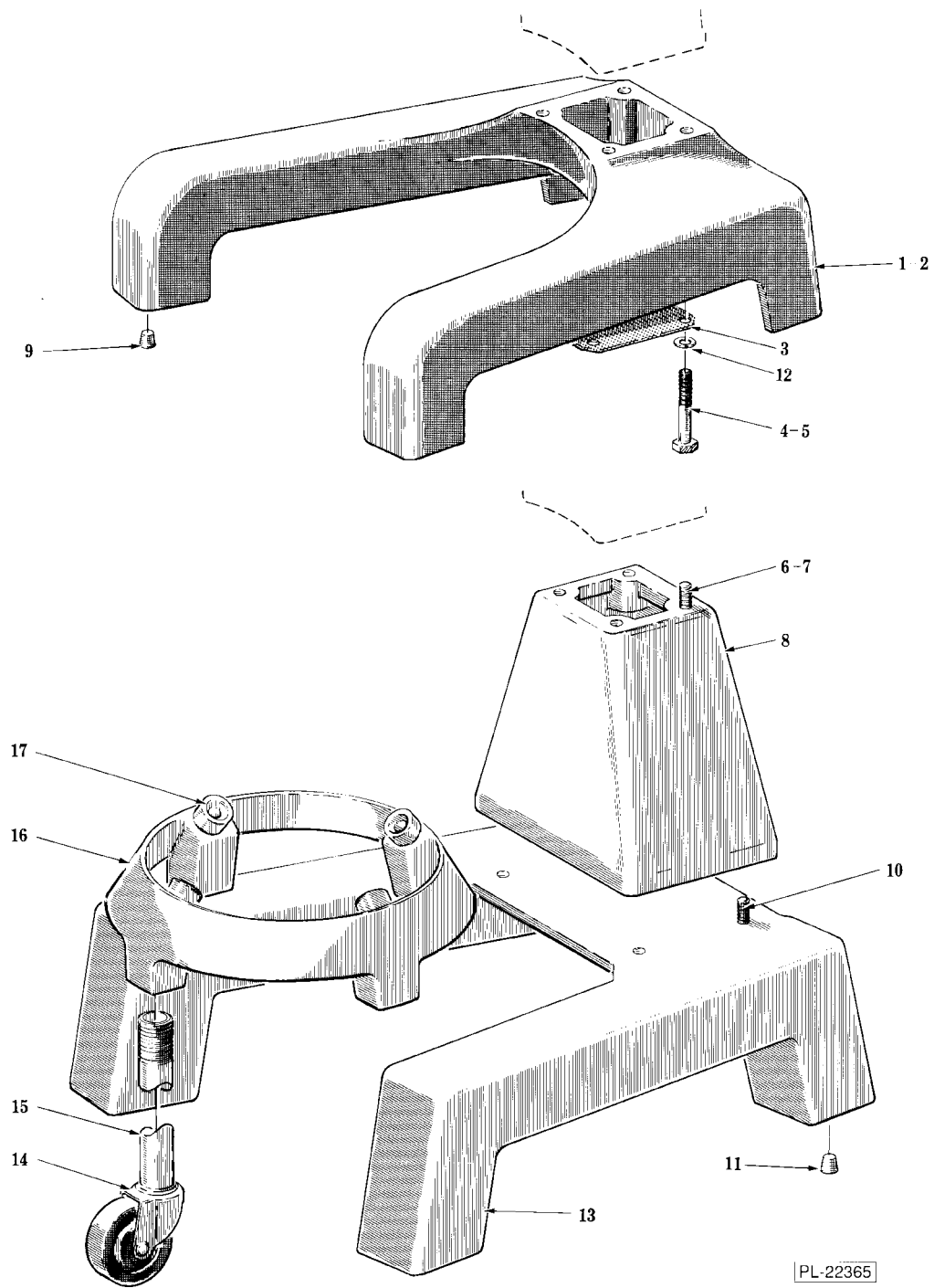
ILLUS. PL-51773	PART NO.	NAME OF PART	AMT.
1	SC-53-35	Mach. Screw 8-32 x 3/8 Truss Hd., Slotted	3
2	438533	Guard & Drip Cup Assy.	1
3	438523	Wire Cage Weldment	1
4	SC-122-44	Mach. Screw - "Special" 8-32 x 3/8 Truss Hd.	2
5	438530	Stop - Cage	1
6	438527-1	Shoe - Front	1
7	438526	Key - Shoe	1
8	SC-122-82	Mach. Screw 4-40 x 7/16 Oval HD., "Special"	1
9	438527-3	Shoe - Adjustable	1
10	SC-122-44	Mach. Screw - "Special" 8-32 x 3/8 Truss Hd.	2
11	438539	Bumper - Cage	1
12	438525	Retainer - Magnet	1
13	SC-122-83	Mach. Screw 6-32 x 3/8 Truss HD., "Special"	2
14	438527-2	Shoe - Fixed	1
15	SC-122-44	Mach. Screw - "Special" 8-32 x 3/8 Truss Hd.	2



PLANETARY AND ATTACHMENT HUB UNIT

PLANETARY AND ATTACHMENT HUB UNIT

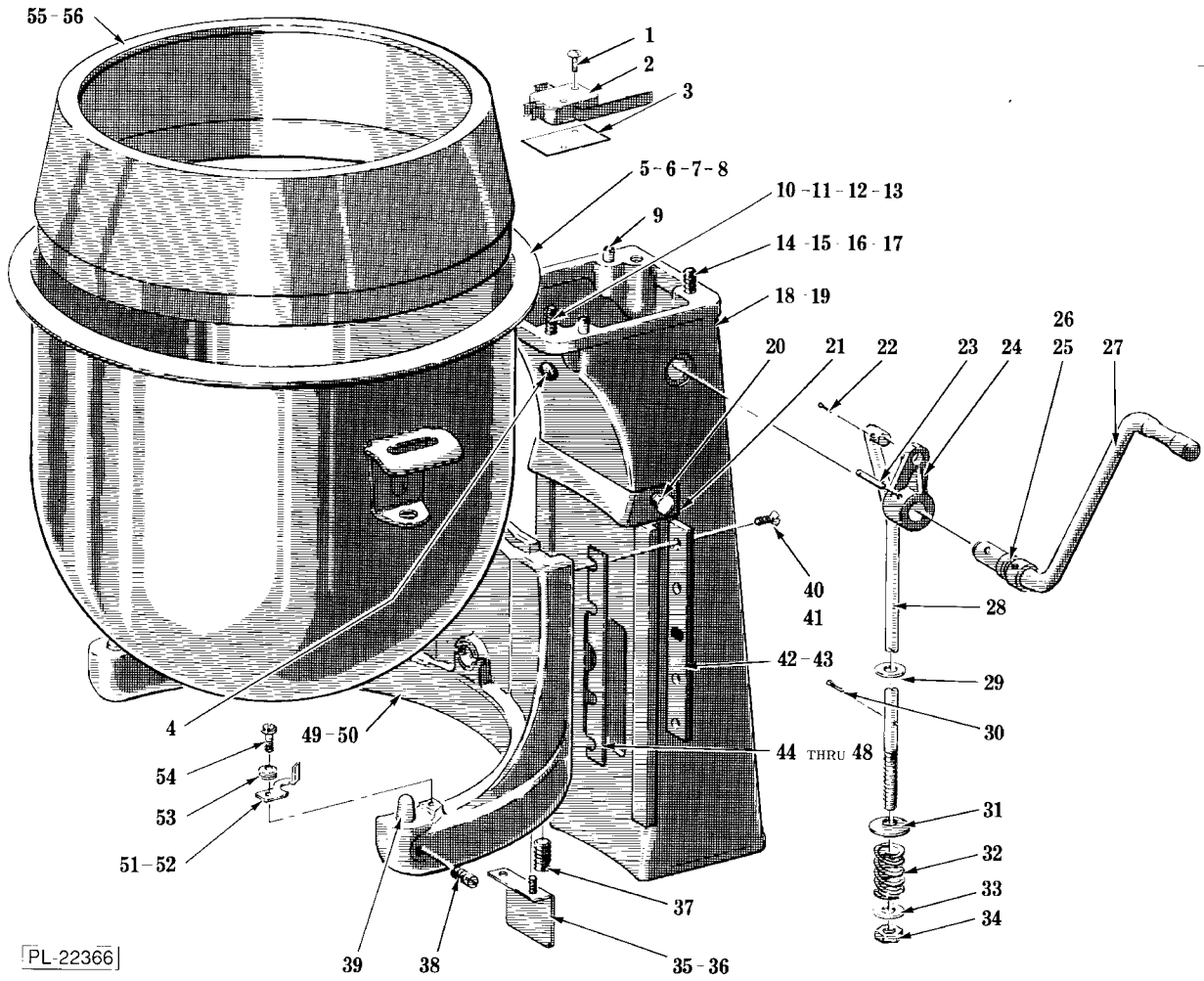
ILLUS. PL-22364-1	PART NO.	NAME OF PART	AMT.
1	SC-13-71	Mach. Screw 12-24 x 3/4 Flat Hd. (Painted)	4
2	SC-14-54	Mach. Screw 12-24 x 3/4 Flat Hd. (Deluxe)	4
3	114832-1	Plug - Attachment Hub	1
4	435047-4	Hub - Attachment (Painted)	1
5	435047-7	Hub - Attachment (Deluxe)	1
6	108197-1	Thumb Screw	1
7	RR-4-18	Retaining Ring	1
8	435065	Bevel Drive Gear & Seal Assy.	1
9	438524-2	Internal Gear (63T) (Incls. items 19 & 20)	1
10	12430-55	Key 3/16 x 3/16 x 1	1
11	WL-3-35	Lockwasher 1/4 Helical	6
12	SC-40-9	Cap Screw 1/4 - 20 x 1 1/4 Fil. Hd	6
13	65062-1	Pin	1
14	113936	Agitator Shaft Assy. (Incls. item 13)	1
15	23482	Seal - Oil (1" I.D.)	1
16	BB-20-6	Ball Bearing - N.D. #7504	1
17	23166-1	Planetary (Painted)	1
18	23166-6	Planetary (Deluxe)	1
19	BA-2-9	Ball 1/4 Dia.	2
20	7094	Spring	2
21	BB-17-12	Ball Bearing - N.D. #7503	1
22	15217	Pinion - Beater (19T)	1
23	12746-19	Washer - Thrust (.115)	AR
24	12746-5	Washer - Thrust (.080)	AR
25	12746-6	Washer - Thrust (.106)	AR
26	12746-7	Washer - Thrust (.092)	AR
27	12746-8	Washer - Thrust (.086)	AR
28	12746-9	Washer - Thrust (.098)	AR
29	12746-10	Washer - Thrust (.112)	AR
30	12746-12	Washer - Thrust (.119)	AR
31	12746-13	Washer - Thrust (.121)	AR
32	12746-16	Washer - Thrust (.129)	AR
33	12746-18	Washer - Thrust (.117)	AR
	102778-1	Planetary Assy. (Painted) (Incls. items 7, 10, 14 thru 17, 21 & 22)	1
	102778-3	Planetary Assy. (Deluxe)(Incls. items 7, 10, 14, 15, 16, 18, 21 & 22)	1



BASE UNIT

BASE UNIT

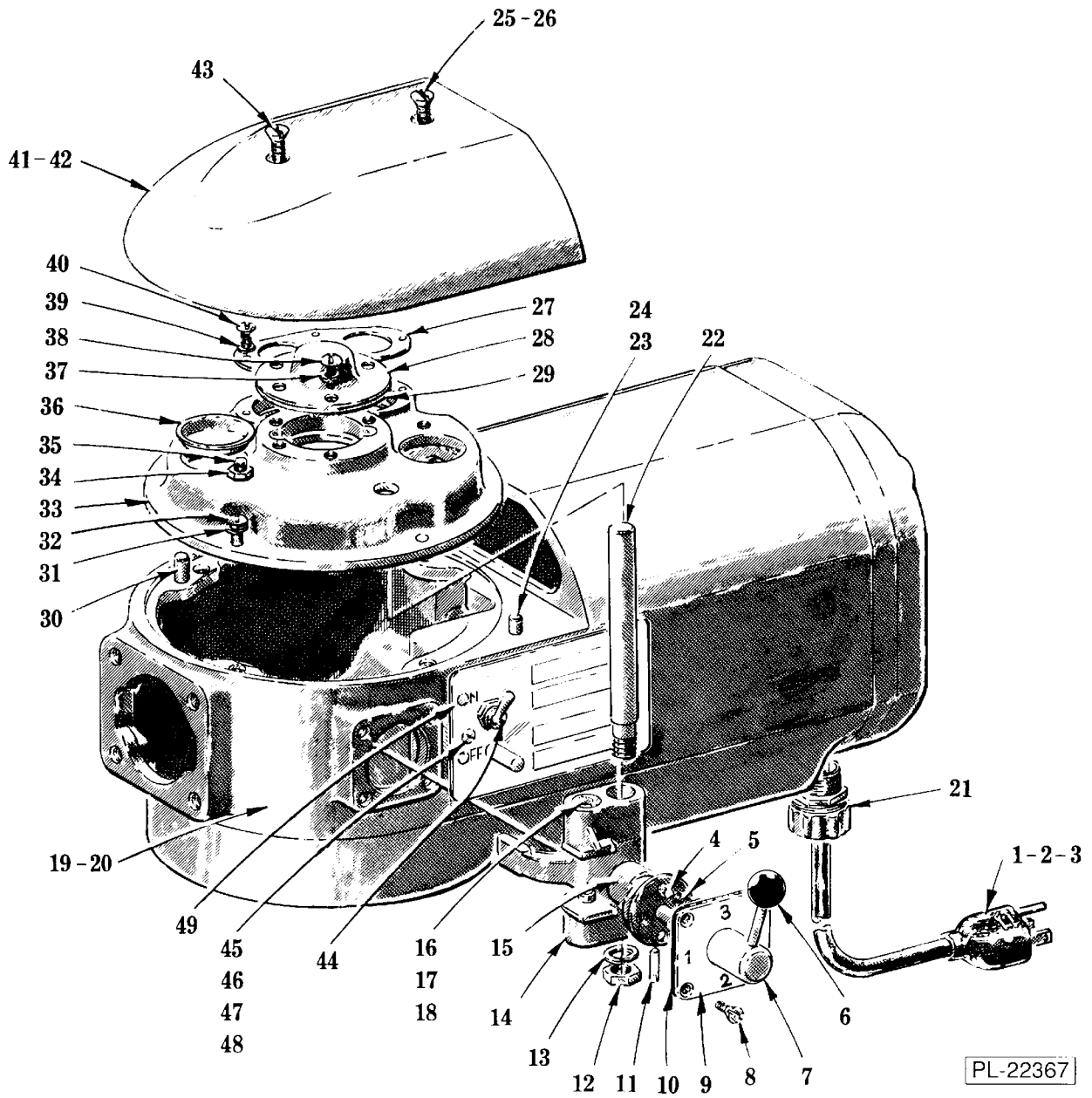
ILLUS. PL-22365	PART NO.	NAME OF PART	AMT.
1	271915-3	Base (Painted) (Bench Model)	1
2	271915-6	Base (Deluxe)(Bench Model)	1
3	108159	Screen - Air	1
4	SC-97-53	Cap Screw 3/8-16 x 2 1/4 Hex Hd	4
5	SC-62-42	Cap Screw 3/8-16 x 1 Hex Hd	4
6	SC-62-27	Cap Screw 3/8-16 x 1 3/4 Hex Hd.	4
7	WS-18-19	Washer	4
8	74998-4	Block - Riser (Painted)	1
9	110717-1	Plug - Base (Plug for Foot Pads) (packed 8)	1
10	SC-62-22	Cap Screw 3/8-16 x 1 1/4 Hex Hd.	4
11	110717-1	Plug - Base (Plug for Foot Pads) (packed 8)	1
12	WS-18-19	Washer	4
13	291499-3	Base (Painted)(Floor Model)	1
14	87668-2	Caster	4
15	70590-2	Leg - Bowl Truck	4
16	315017	Bowl Truck Assy. (Incls. items 14, 15, & 17)	1
17	18682-1	Bumper	4



PEDESTAL & BOWL UNIT

PEDESTAL & BOWL UNIT

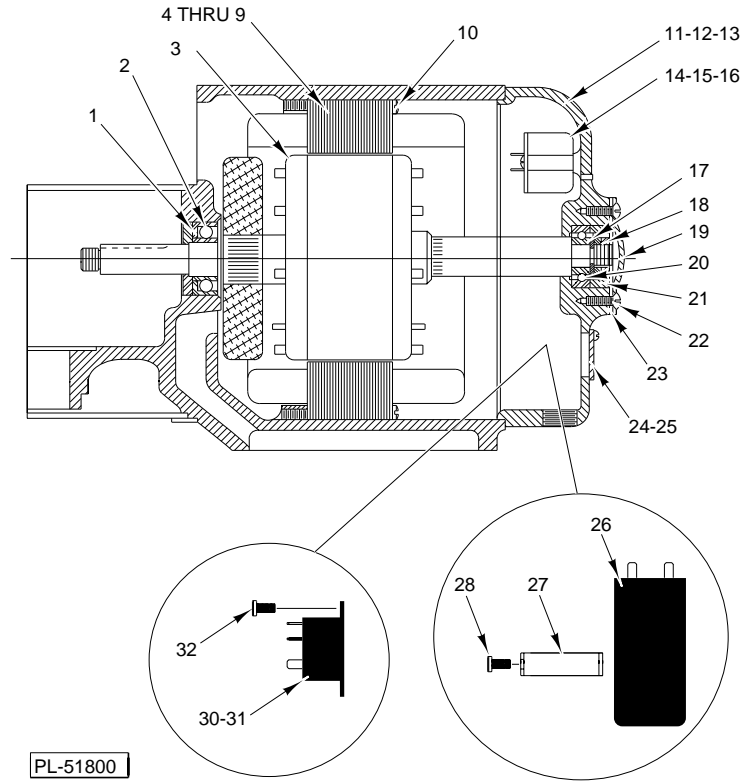
ILLUS. PL-22366	PART NO.	NAME OF PART	AMT.
1	SC-60-40	Mach. Screw 4-40 x 5/8 Rd. Hd.	2
2	87711-248	Switch - Bowl Height	1
3	439892	Insulator - Switch	1
4	87711-252-1	Switch - Reed	1
5	295645	Bowl Assy. (20 Qt.) (Tinned)	1
6	275683	Bowl Assy. (20 Qt.) (SST)	1
7	295642	Bowl Assy. (12 Qt.) (Tinned)	1
8	295644	Bowl Assy. (12 Qt.) (SST)	1
9	270776	Dowel	2
10	WL-3-43	Lock Washer 5/16 Light (Painted)	2
11	SC-37-85	Cap Screw 5/16 - 18 x 1 Rd. Hd. (Deluxe)	2
12	WL-6-22	Lock Washer 5/16 Light (Deluxe)	2
13	SC-36-27	Cap Screw 5/16 - 18 x 1 Rd. Hd. (Painted)	2
14	SC-11-95	Mach. Screw 5/16 - 18 x 1 Fil. Hd. (Painted)	2
15	WL-3-43	Lock Washer 5/16 Light (Painted)	2
16	SC-9-98	Mach. Screw 5/16 - 18 x 1 Rd. Hd. (Deluxe)	2
17	WL-6-22	Lock Washer 5/16 Light (Deluxe)	2
18	438543-2	Pedestal (Painted)	1
19	438543-4	Pedestal (Deluxe)	1
20	70641-11	Thumb Screw 8-32 "Special"	2
21	78506	Shield - Upper Splash	1
22	PC-3-55	Cotter Pin 1/8 x 3/4	1
23	PS-4-15	Spirol Pin 1/4 Dia. x 1 1/8 Lg.	1
24	114430	Arm - Bowl Lift	1
25	WS-9-11	Washer (STL)	AR
26	WS-9-13	Washer (Fiber)	AR
27	438528	Lift Handle Assy.	1
28	15215	Rod - Bowl Lift	1
29	WS-6-33	Washer	2
30	PC-3-55	Cotter Pin 1/8 x 3/4	1
31	12745	Washer - Special	1
32	12782	Spring	1
33	WS-6-26	Washer	1
34	NS-36-15	Stop Nut 3/8-24 Hex "Special"	1
35	SC-60-56	Mach. Screw 10-32 x 5/16 Rd Hd.	2
36	78505	Shield - Lower Splash	1
37	121625	Set Screw - Special	1
38	5014-1	Stud - Bowl Jacket Hook	2
39	6938-2	Pin - Bowl Locating	2
40	SC-13-49	Mach. Screw 10-24 x 5/8 Flat Hd. (Painted)	6
41	SC-14-55	Mach. Screw 10-24 x 5/8 Flat Hd. (Deluxe)	6
42	111213-1	Gib - Bowl Support (Painted)	2
43	111213-5	Gib Assy. (Deluxe)	2
44	113016-1	Shim - Bowl Support (.003" Thk.)	AR
45	113016-4	Shim - Bowl Support (.009" Thk.)	AR
46	113016-5	Shim - Bowl Support (.015" Thk.)	AR
47	113016-6	Shim - Bowl Support (.005" Thk.)	AR
48	113016-7	Shim - Bowl Support (.0075" Thk.)	AR
49	438538-1	Bowl Support Assy. (Incls. items 37 & 39) (Painted)	1
50	438538-2	Bowl Support Assy. (Incls. items 37 & 39) (Deluxe)	1
51	291444-1	Clamp - Bowl (L.H.)	1
52	291444-2	Clamp - Bowl (R.H. Shown)	1
53	291263	Washer - Belleville	6
54	274614	Screw - Pivot	2
55	438079	Splash Cover & Bowl Extension (20 Qt.)	1
56	438078	Splash Cover & Bowl Extension (12 qt.)	1
	111676	Shim (Use Between Pedestal & Transmission Case)	AR



TRANSMISSION CASE AND SHIFTER UNIT

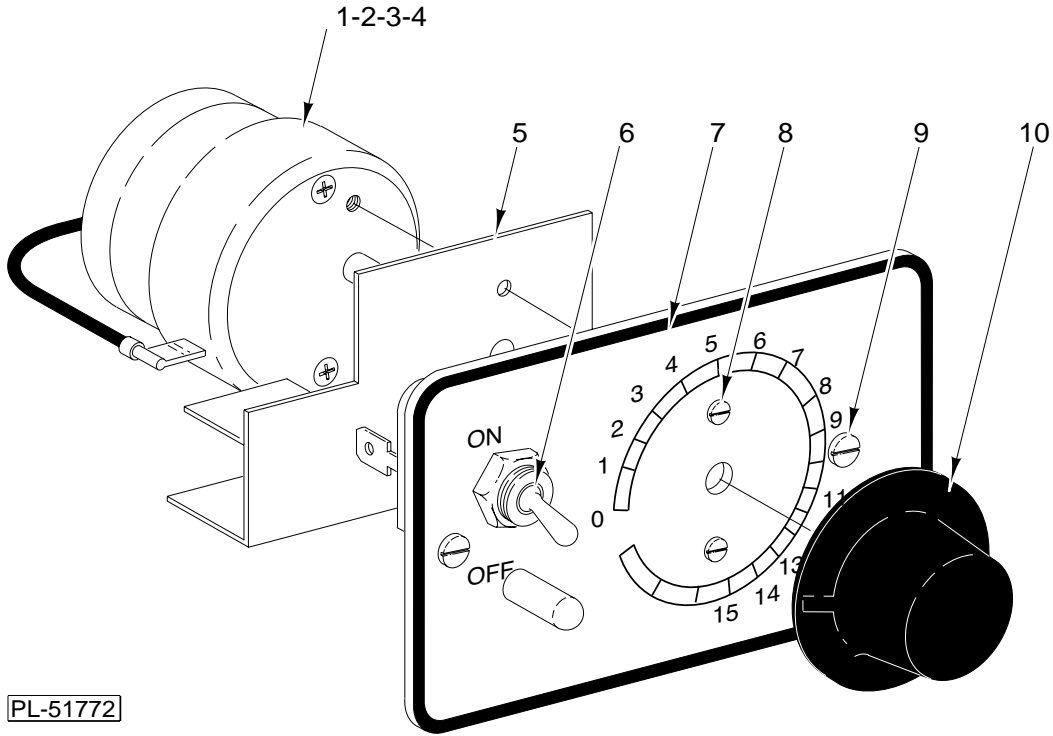
TRANSMISSION CASE AND SHIFTER UNIT

ILLUS. PL-22367	PART NO.	NAME OF PART	AMT.
1	117542-61	Cord & Plug Assy. (3 Cond., Under 150 V.)	1
2	117542-62	Cord & Plug Assy. (3 Cond., 200-250 V.)	1
3	117542-63	Cord Assy. (I.E.C.)	1
4	BA-2-9	Ball ¼ Dia.	2
5	111170	Spring - Detent	2
6	77401	Knob - Shifter Handle	1
7	437339	Handle - Shifter (Incls. item 6)	1
8	SC-30-24	Mach. Screw 10-24 x ½ Oval Hd)	4
9	290115-1	Plate - Shifter Index	1
10	23946	Gasket - Shifter Index Plate	1
11	PS-3-8	Spirol Pin ½ Dia. x ¾ Lg.	1
12	NS-13-22	Full Nut ¾-16 Hex	1
13	WL-4-2	Lockwasher ¾ Light	1
14	13160	Yoke - Shifter	1
15	114506	Cam - Gear Shifter	1
16	12733	Plunger - Shifter Yoke	2
17	12734	Spring - Shifter Yoke	2
18	12732	Retainer - Shifter Yoke Spring	2
19	438698-1	Case - Transmission (Painted) (Incls. items 23 & 30)	1
20	438698-2	Case - Transmission (Deluxe) (Incls. items 24 & 30)	1
21	FE-22-84	Connector - Strain Relief	1
22	12735	Rod - Shifter Guide	1
23	11800-61	Dowel (Painted)	2
24	11800-62	Dowel (Deluxe)	2
25	SC-15-57	Mach. Screw 12-24 x 1½ Oval Hd. (Deluxe)	1
26	NS-9-36	Mach. Nut 12-24 Hex	2
27	12708	Retainer - Twin Bearing	1
28	20394-1	Cap - Bearing Retainer	1
29	20395	Retainer - Bearing	1
30	11800-116	Dowel	1
31	WL-3-28	Lockwasher 12 Light	4
32	SC-119-7	Mach. Screw 12-24 x ¾ Hex Hd	4
33	67750	Transmission Shaft Support & Screw Assy. (Incls. items 34 & 35)	1
34	NS-9-36	Mach. Nut 12-24 Hex	1
35	SC-8-56	Mach. Screw 12-24 x ½ Rd. Hd.	1
36	64871	Plug - Friction	2
37	WL-3-28	Lockwasher 12 Light	3
38	SC-8-48	Mach. Screw 12-24 x ½ Rd. Hd.	3
39	WL-3-22	Lockwasher 10 Light	4
40	SC-18-1	Mach. Screw 10-24 x ¾ Pan Hd.	4
41	18231-3	Cover - Transmission Case (Painted)	1
42	439398-3	Cover - Transmission Case (Deluxe)	1
43	SC-16-17	Mach. Screw 12-24 x 1¼ Oval Hd. (Deluxe)	1
44	87711-143-1	Switch - Toggle (NVR)	1
45	123109	Screw 6-32 x ¾ Serrated Hd.	2
46	SC-27-28	Mach. Screw 8-32 x ¼ Rd. Hd. (Grounding Screw)	1
47	WL-11-1	Lock Washer 8 Int. Shakeproof (Ground Screw) (1 Ph)	2
48	NS-10-11	Mach. Nut 8-32 Hex (Ground Screw) (1 Ph)	1
49	438537-2	Switch Plate & Pin Assembly	1
	79999	Shifter Assy. (Incls. items 4, 5, 7, 9, 11, & 15)	1
	88795	Shifter Yoke Assy. (Incls. items 14, 16, 17, & 18)	1



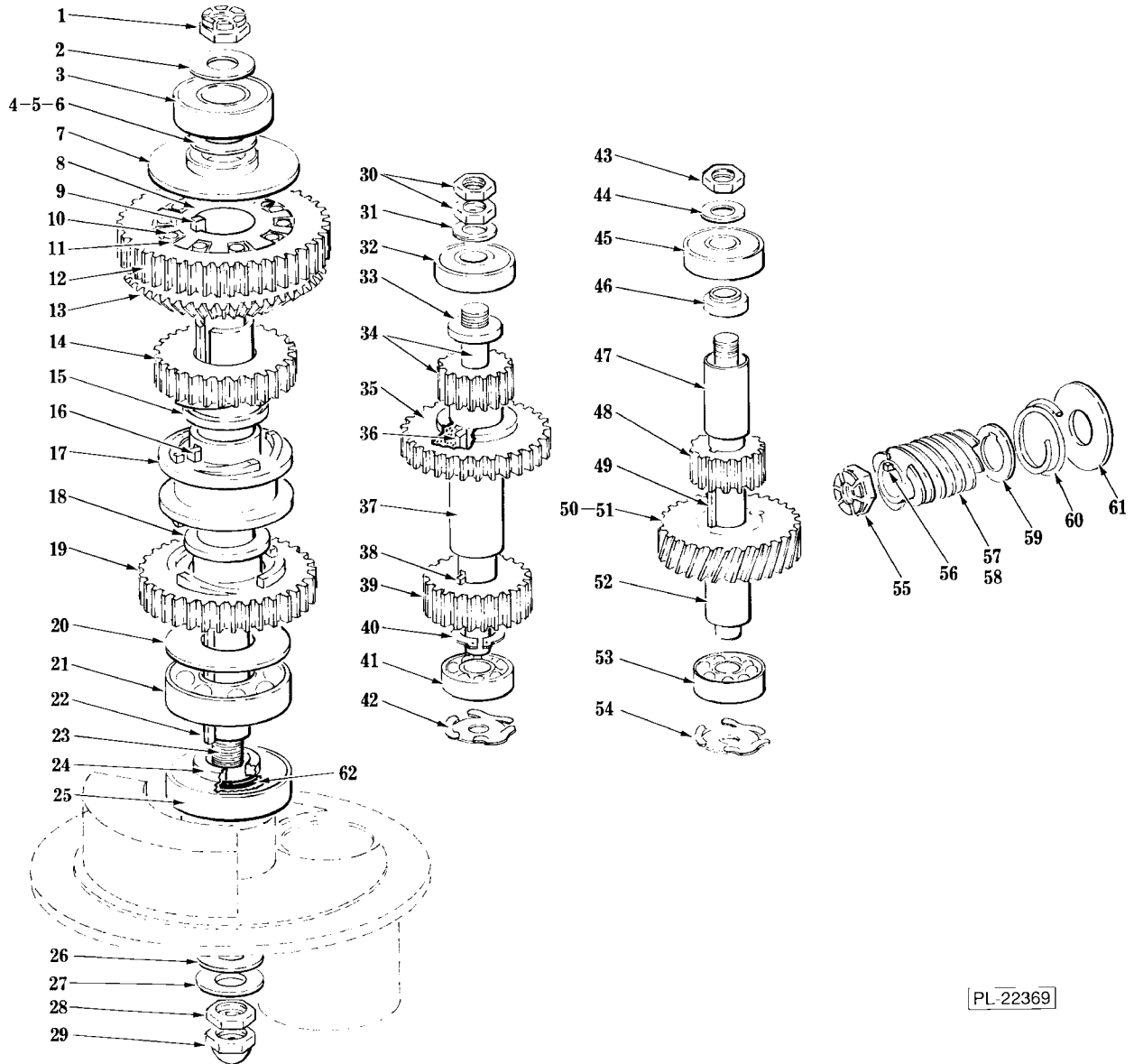
MOTOR PARTS (A200 SERIES)

ILLUS.	PART NO.	NAME OF PART	AMT.
PL-51800			
1	13174-1	Deflector - Grease	1
2	BB-5-30	Ball Bearing - N.D #C8503	1
3	22275-274	Rotor Assy	1
4	65477-164-1	Stator Assy. (115 V., 60 HZ)	1
5	65477-164-5	Stator Assy. (230V., 60 HZ)	1
6	65477-164-2	Stator Assy. (115V., 50 HZ)	1
7	65477-164-6	Stator Assy. (220 V., 50 HZ)	1
8	65477-164-3	Stator Assy. (100 V., 60 HZ., 1 PH)	1
9	65477-164-4	Stator Assy. (100 V., 50 HZ., 1 PH)	1
10	SC-12-59	Mach. Screw 10-24 x 2 1/4 Fil. Hd	4
11	438536-2	Bracket - Bearing (Painted)	1
12	438536-4	Bracket - Bearing (Deluxe)	1
13	SC-16-31	Mach. Screw 12-24 x 2 Oval Hd	4
14	271612-2	Switch - Electronic Start (50/60 Hz.)	1
15	271794-1	Standoff - Switch	2
16	SC-9-64	Mach. Screw 6-32 x 1 Rd. Hd.	2
17	WS-7-9	Washer - Special	1
18	11430	Nut - Special	2
19	294306-1	Cap - Cover (Deluxe)	1
20	BB-17-5	Ball Bearing N.D. #7601	1
21	12669	Spacer - Bearing	1
22	SC-10-32	Mach. Screw 8-32 x 3/8 Truss Hd.	4
23	24464	Gasket - Cover Cap	1
24	115231-2	Cover - Conduit	1
25	123109	Screw 6-32 x 3/8 Serrated Hd.	2
26	70487-18	Capacitor	1
27	271937	Clip - Capacitor Retaining	1
28	SC-18-77	Mach. Screw 6-32 x 5/16 Phil Pan Hd. (Use with Capacitor Clip)	1
29	WL-3-9	Lockwasher 6 Medium	1
30	87714-42-1	Relay (2 Pole)(Under 150 V.)	1
31	87714-42-3	Relay (2 Pole) (220 - 240 V.)	1
32	SC-18-77	Mach. Screw 6-32 x 5/16 Phil Pan Hd.	2
	SC-27-15	Mach. Screw 6-32 x 1/4 Rd. Hd. (Ground)	1
	WL-11-20	Lockwasher 6 Int. (Use With Grounding Screw)	1



SWITCH & TIMER UNIT

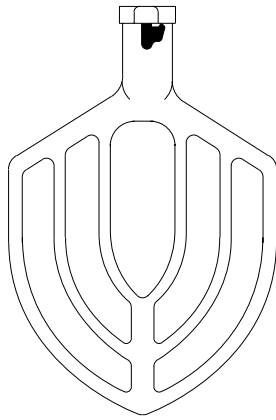
ILLUS. PL-51772	PART NO.	NAME OF PART	AMT.
1	294650-4-5	Timer (115 V., 60 Hz.)	1
2	294650-4-6	Timer (230 V., 60 Hz.)	1
3	294650-4-7	Timer (115 V., 50 Hz.)	1
4	294650-4-8	Timer (220 V., 50 Hz.)	1
5	291746	Insulator - Switch	1
6	120388	Switch & Label Assy.	1
7	438537-1	Switch Plate & Pin Assy.	1
8	SC-13-7	Mach. Screw 5-40 x 1/4 Flat Hd.	2
9	123109	Screw 6-32 x 3/8 Serrated Hd.	2
10	291748	Knob - Timer	1



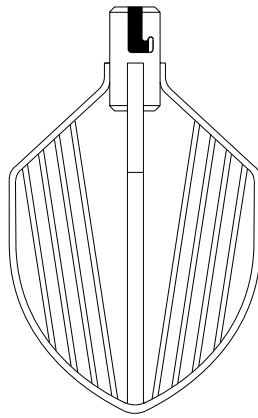
TRANSMISSION GEAR UNIT

TRANSMISSION GEAR UNIT

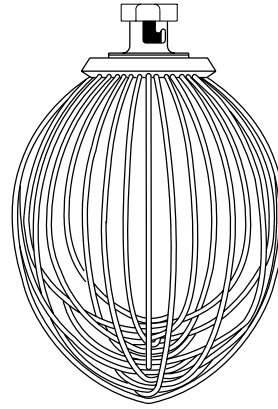
ILLUS. PL-22369	PART NO.	NAME OF PART	AMT.
1	NS-32-29	Stop Nut ½-20 "Flexloc"	1
2	WS-8-13	Washer - Retaining	1
3	BB-20-18	Ball Bearing - N.D. #77503	1
4	WS-10-18	Washer - Bearing Shim (.002" Thk.)	AR
5	WS-10-19	Washer - Bearing Shim (.003" Thk.)	AR
6	WS-10-20	Washer - Bearing Shim (.010" Thk.)	AR
7	107145	Spacer - Planetary Shaft	1
8	124730	Sleeve - Roller Clutch Drive	1
9	109070-2	Key	1
10	124729	Clutch - Roller	10
11	124732	Spring - Roller	10
12	124752	Gear - Slow Speed (46T)	1
13	124733	Gear - Bevel (46T)	1
14	124744	Gear - Clutch (29T)	1
15	12695	Bearing - Clutch Gear	1
16	12430-59	Key - Clutch Sleeve	2
17	70035-1	Sleeve - Clutch	1
18	12695	Bearing - Clutch Gear	1
19	124743	Gear - Lower Clutch (38T)	1
20	12723	Spacer - Lower	1
21	BB-20-6	Ball Bearing - N.D. #7504	1
22	12430-17	Key	1
23	124734	Shaft - Planetary	1
24	437342	Spacer - Bearing	1
25	114695	Seal - Oil	1
26	124946	Washer - Fiber	1
27	WS-24-1	Washer - Retaining (STL)	1
28	10928-2	Nut - Special	1
29	24715-3	Acorn Nut ½ - 20	1
30	12710	Nut - Retaining	2
31	WS-6-36	Washer - Retaining	1
32	BB-5-2	Ball Bearing - N.D. #7500	1
33	12744	Spacer - Upper	1
34	291236	Shaft - Transmission (15T)	1
35	124736	Gear (32T)	1
36	435297	Key	1
37	12697	Spacer - Lower	1
38	435297	Key	1
39	124760	Gear (23T)	1
40	RR-4-18	Retaining Ring	1
41	BB-5-1	Ball Bearing - N.D. #3200	1
42	SL-2-8	Spring - Preloading - N.D. #S-10-B	1
43	12710	Nut - Retaining	1
44	WS-6-36	Washer - Retaining	1
45	BB-5-2	Ball Bearing - N.D. #7500	1
46	124745	Washer	1
47	124765-1	Spacer - Gear	1
48	124748	Gear (15T)	1
49	12430-4	Key	1
50	124751-3	Worm Wheel & Bushing Assy. (60 Hz.)	1
51	124749-2	Worm Wheel & Bushing Assy. (50 Hz.)	1
52	291128	Shaft - Worm Wheel	1
53	BB-5-1	Ball Bearing - N.D. #3200	1
54	SL-2-8	Spring - Preloading - N.D. #S-10-B	1
55	NS-32-23	Lock Nut ¾-20 "Flexloc"	1
56	12747	Key	1
57	291221	Worm (5T)(60 Hz.)	1
58	70407	Worm (5T)(50 Hz.)	1
59	12754	Washer	1
60	12757	Spring - Shock Absorber	1
61	12711	Washer - Shock Absorber Spring	1
62	67500-78	"O" Ring	1
	292799	Planetary Shaft Assy.(Incls. items 7, 8, 9, 12 thru 20 & 23)	1
	292800	Transmission Shaft Assy. (Incls. items 33 thru 40)	1
	292798-1	Worm Wheel Shaft Assy. (60Hz.)(Incls. items 46 thru 50 & 52)	1
	292798-2	Worm Wheel Shaft Assy. (50 Hz.)(Incls. items 46 thru 49, 51 & 52)	1



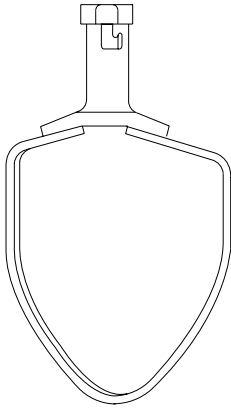
1-2



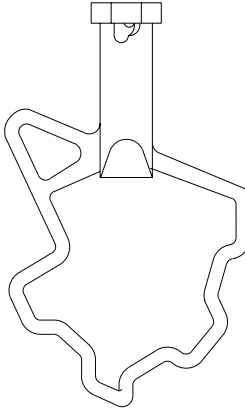
3



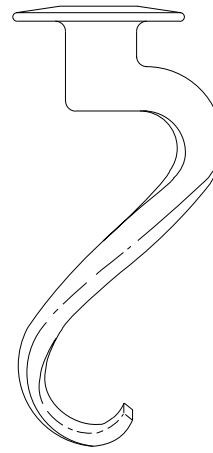
4



8



7



5-6

PL-51801

AGITATORS

ILLUS. PL-51801	PART NO.	PART NO.	NAME OF PART	AMT.
1	275459	295032	"B" Flat Beater	1
2	275559	295040	"B" Flat Beater (SST)	1
3	295165	-----	"C" Wing Whip	1
4	275897	295027	"D" Wire Whip (SST)	1
5	275931	-----	"ED" Dough Arm	1
6	295119	275978	"E" Dough Arm	1
7	295020	-----	"S" Sweet Dough Beater	1
8	295036	-----	"P" Pastry Knife	1