



CATALOG OF REPLACEMENT PARTS

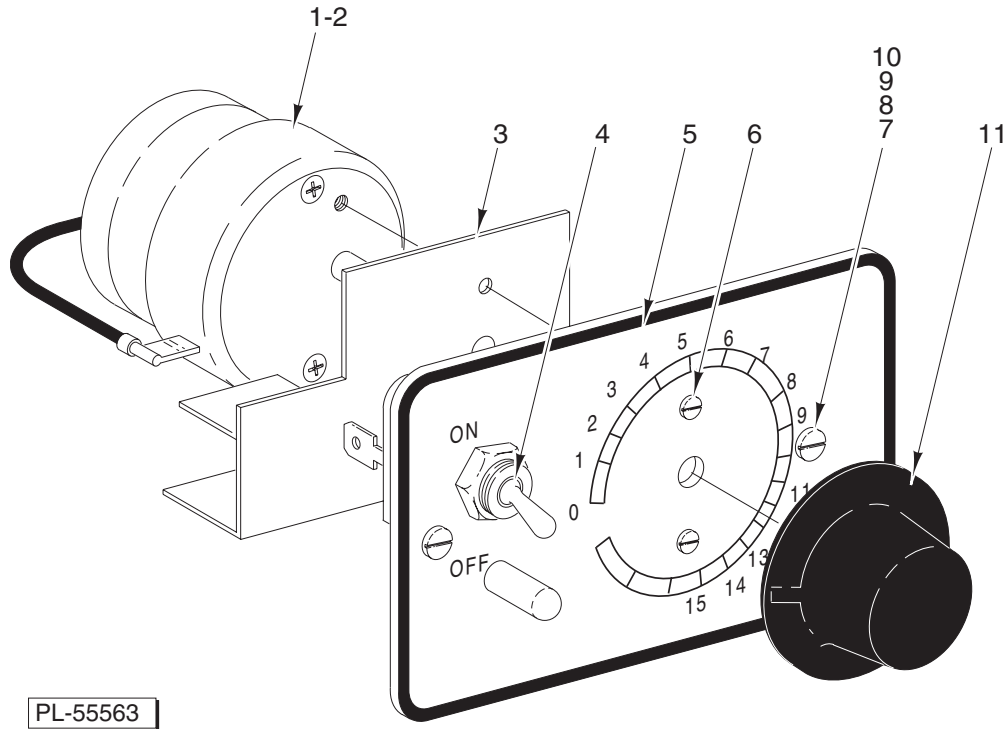


MODEL A120 SERIES MIXER

(INCLUDES MOTOR PARTS)
ML-104865

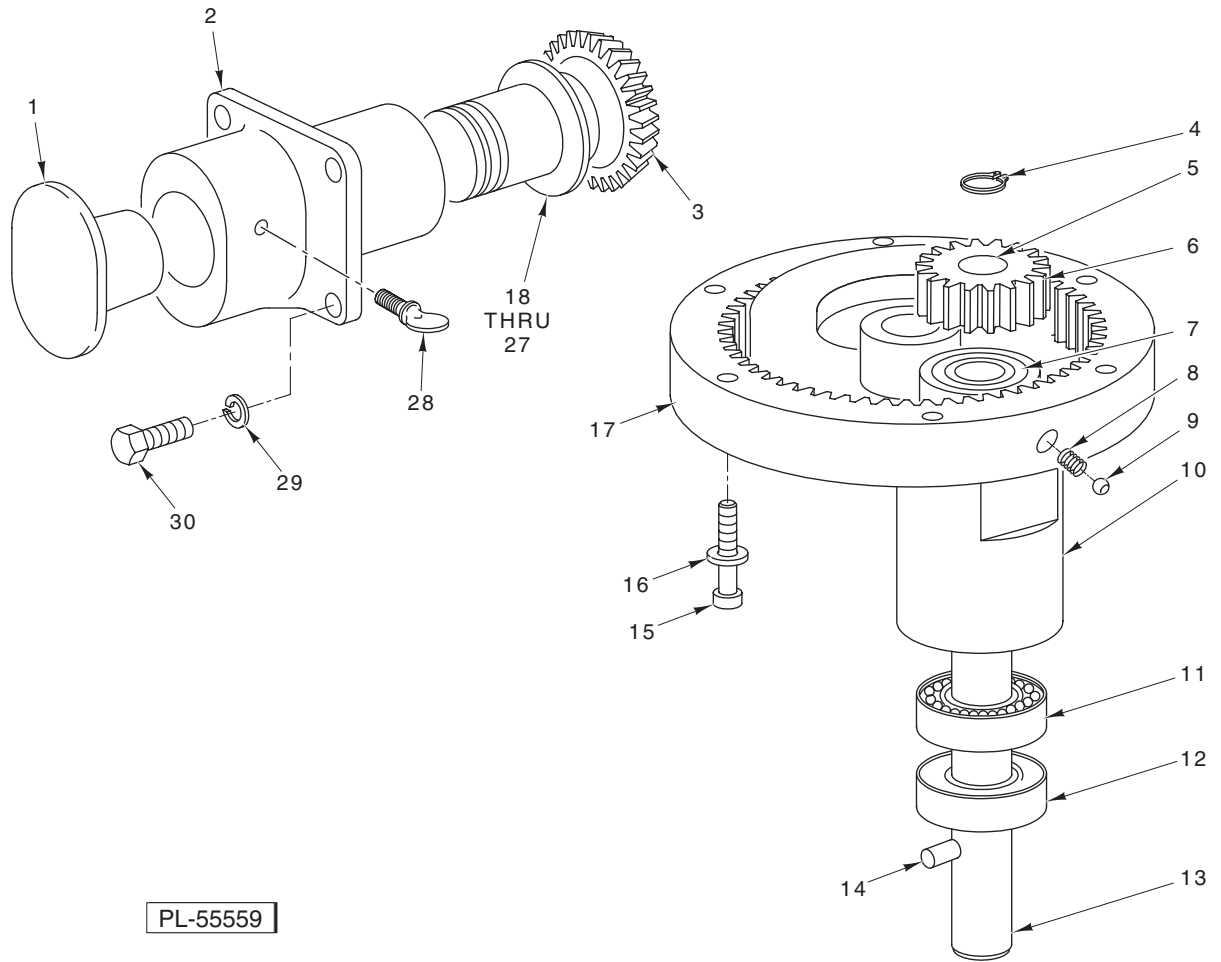
Table of Contents

Page	Description
3	Switch and Timer Unit
5	Planetary and Attachment Hub Unit
7	Base Unit
9	Pedestal And Bowl Unit
11	Transmission Case and Shifter Unit
13	Motor Parts
15	Transmission Gear Unit
16	Agitators



SWITCH AND TIMER UNIT

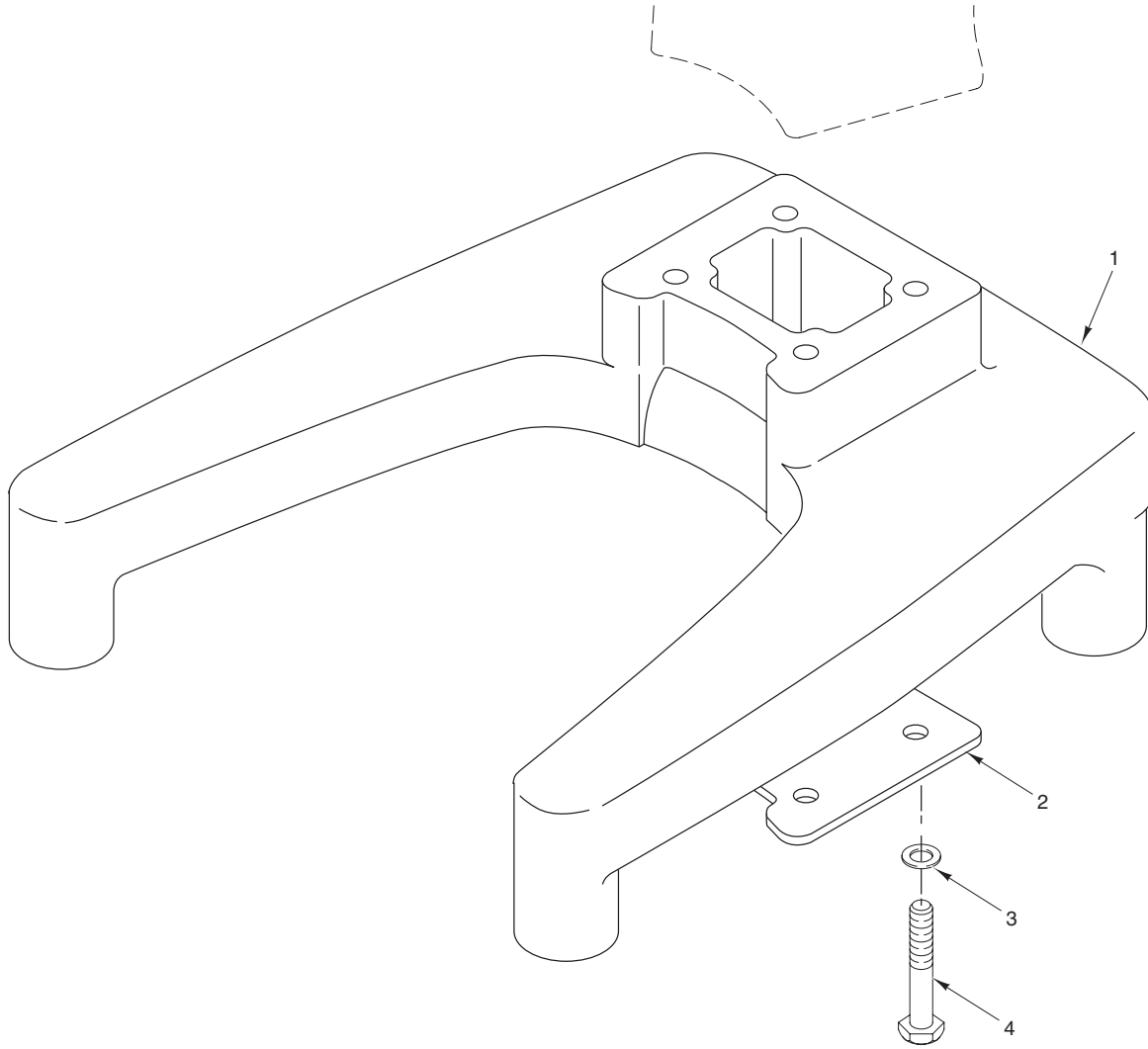
ILLUS.	PART NO.	NAME OF PART	AMT.
	PL-55563		
1	00-294650-004-1	Timer Assy. (115 V., 60 Hz.)	1
2	00-294650-004-4	Timer Assy. (220 V., 50 Hz.)	1
3	00-291746	Insulator – Switch	1
4	00-875567	Switch Assy.	1
5	00-873115-00001	Switch Plate & Pin Assy.	1
6	SC-013-07	Mach. Screw 5-40 x 1/4 Flat Hd.	2
7	00-123109	Screw 6-32 x 3/8 Serrated Hd.	2
8	SC-027-28	Mach. Screw 8-32 x 1/4 Rd. Hd. (Grounding Screw)	1
9	WL-011-01	Lockwasher #8 Internal Shakeproof (Grounding Screw) (1 Ph.)	2
10	NS-010-11	Mach. Nut 8-32 Hex (Ground Screw) (1 Ph.)	1
11	00-291748	Knob – Timer	1



PLANETARY AND ATTACHMENT HUB UNIT

PLANETARY AND ATTACHMENT HUB UNIT

ILLUS. PL-55559	PART NO.	NAME OF PART	AMT.
1	00-114824-00001	Plug – Attachment Hub	1
2	00-435047-00004	Hub – Attachment (Painted)	1
3	00-435065-00002	Bevel Drive Gear & Seal Assy.	1
4	RR-004-18	Retaining Ring	1
5	00-012430-00048	Key ³ / ₁₆ x ³ / ₁₆ x 4	1
6	00-012683	Pinion – Beater (17T)	1
7	BB-018-17	Ball Bearing	1
8	00-007094	Spring	2
9	BA-002-09	Ball ¹ / ₄ Dia.	2
10	00-113953	Planetary (Painted)	1
11	BB-018-17	Ball Bearing	1
12	00-121814	Seal – Oil (1 In. I.D.)	1
13	00-113949	Agitator Shaft Assy. (Incls. Item 14)	1
14	00-065062-00002	Pin – Dowel	1
15	SC-040-08	Cap Screw ¹ / ₄ -20 x 1 Fil. Hd.	6
16	WL-003-35	Lockwasher ¹ / ₄ Helical	6
17	00-012682	Internal Gear (63T) (Incls. Items 8 & 9)	1
18	00-012746-00019	Washer – Thrust (0.115 In. Thk.)	AR
19	00-012746-00005	Washer – Thrust (0.080 In. Thk.)	AR
20	00-012746-00006	Washer – Thrust (0.106 In. Thk.)	AR
21	00-012746-00007	Washer – Thrust (0.092 In. Thk.)	AR
22	00-012746-00008	Washer – Thrust (0.086 In. Thk.)	AR
23	00-012746-00009	Washer – Thrust (0.098 In. Thk.)	AR
24	00-012746-00010	Washer – Thrust (0.112 In. Thk.)	AR
25	00-012746-00012	Washer – Thrust (0.119 In. Thk.)	AR
26	00-012746-00013	Washer – Thrust (0.121 In. Thk.)	AR
27	00-012746-00016	Washer – Thrust (0.129 In. Thk.)	AR
28	00-108197-00001	Thumb Screw	1
29	WL-019-79	Lockwasher	4
30	SC-119-07	Mach. Screw 12-24 x ³ / ₄ Flat Hd. (Painted)	4

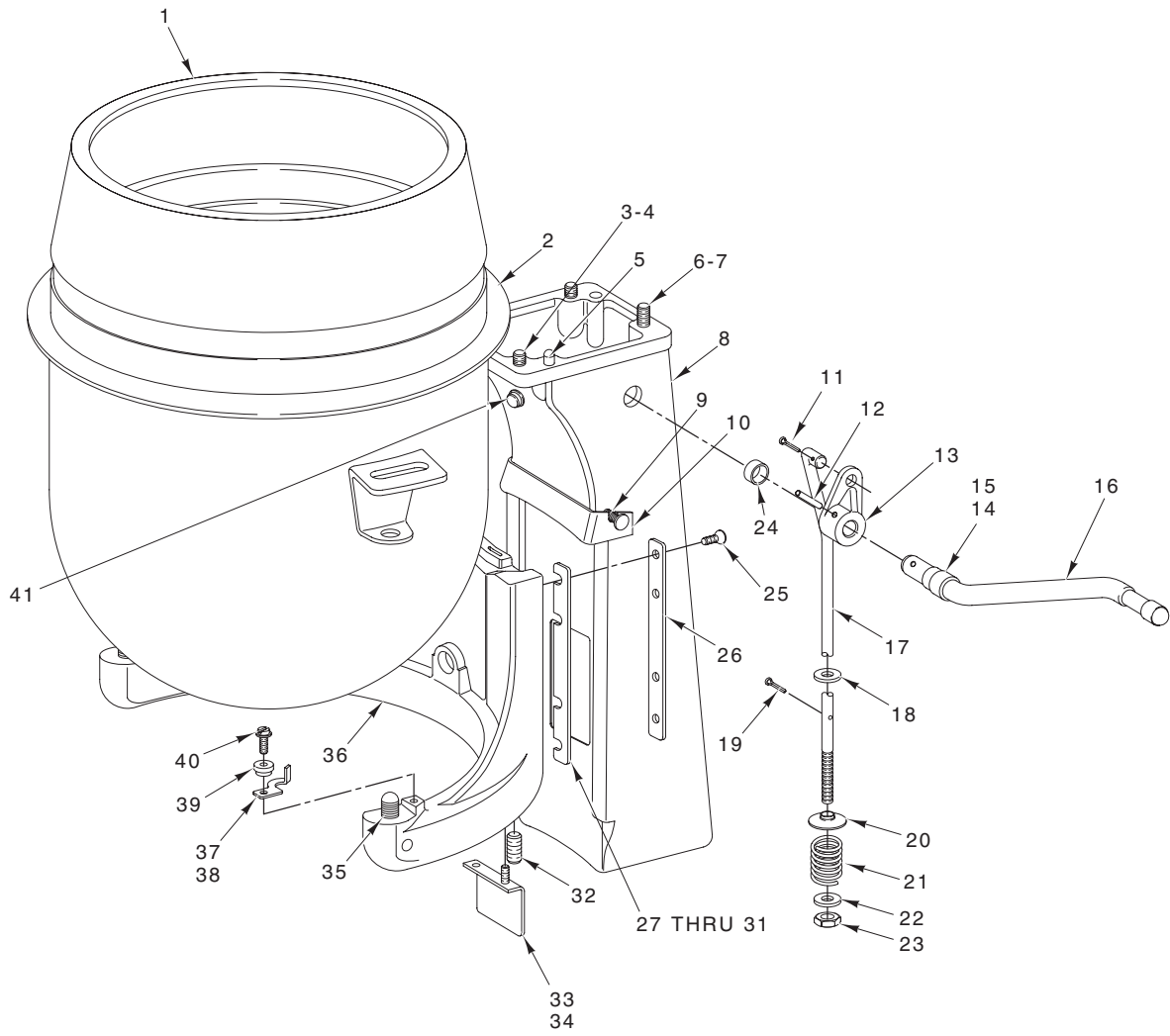


PL-55481

BASE UNIT

BASE UNIT

ILLUS. PL-55481	PART NO.	NAME OF PART	AMT.
1	00-873229-00003	Base (Painted)	1
2	00-108159	Screen – Air	1
3	WS-018-19	Washer	4
4	SC-097-53	Cap Screw ³ / ₈ -16 x 2 ¹ / ₄ Hex Hd.	4



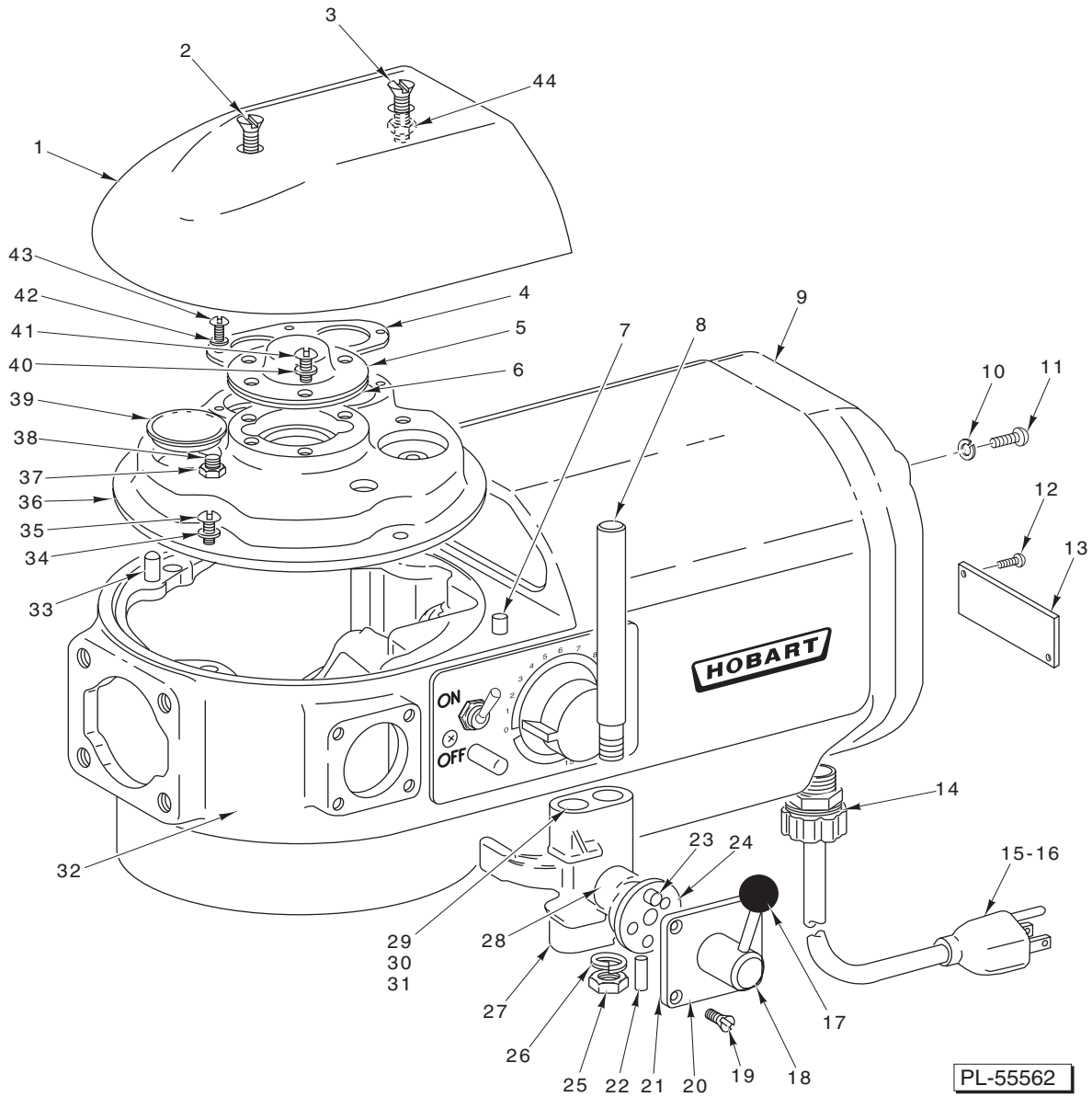
PL-55561

PEDESTAL AND BOWL UNIT

PEDESTAL AND BOWL UNIT

ILLUS.	PART NO.	NAME OF PART	AMT.
PL-55561			
1	00-438078	Splash Cover & Bowl Extension (12 Qt.)	1
2	00-295643	Bowl Assy. (12 Qt.) (SST) (Packaged)	1
3	WL-006-22	Lockwasher ⁵ / ₁₆ Light	2
4	SC-041-13	Cap Screw ⁵ / ₁₆ -18 x 1 Hex Hd. (SST)	2
5	00-270776	Dowel	2
6	WL-006-22	Lockwasher ⁵ / ₁₆ Light	2
7	SC-011-95	Mach. Screw ⁵ / ₁₆ -18 x 1 Fil. Hd.	2
8	00-078634-00002	Pedestal	1
9	00-070641-00011	Thumb Screw 8-32 Special	2
10	00-078506	Shield – Upper Splash	1
11	PC-003-55	Cotter Pin ¹ / ₈ x ³ / ₄	1
12	PS-004-15	Spiral Pin ¹ / ₄ Dia. x 1 ¹ / ₈ Lg.	1
13	00-012713	Handle – Bowl Lift	1
14	WS-009-11	Washer (STL)	AR
15	WS-009-13	Washer (Fiber)	AR
16	00-114432	Lift Handle Assy.	1
17	00-012714	Rod – Bowl Lift	1
18	WS-006-46	Washer	2
19	PC-003-55	Cotter Pin ¹ / ₈ x ³ / ₄	1
20	00-012745	Washer – Special	1
21	00-012782	Spring	1
22	WS-006-26	Washer	1
23	NS-036-15	Stop Nut ³ / ₈ -24 Hex Special	1
*24	00-479510	Bushing – Bowl Lift	2
25	SC-022-20	Mach. Screw 10-24 x ⁵ / ₈ Flat Hd.	8
26	00-012715	Gib – Bowl Support	2
27	00-016388-00001	Shim – Bowl Support (0.003 In. Thk.)	AR
28	00-016388-00004	Shim – Bowl Support (0.009 In. Thk.)	AR
29	00-016388-00005	Shim – Bowl Support (0.005 In. Thk.)	AR
30	00-016388-00006	Shim – Bowl Support (0.007 In. Thk.)	AR
31	00-016388-00007	Shim – Bowl Support (0.015 In. Thk.)	AR
32	00-121625	Set Screw – Special	1
33	SC-060-56	Mach. Screw 10-32 x ⁵ / ₁₆ Rd. Hd.	2
34	00-078505	Shield – Lower Splash	1
35	00-478582	Pin – Bowl Locating	2
36	00-024870	Bowl Support Assy. (Incls. Item 32)	1
37	00-291444-00001	Clamp – Bowl (LH)	1
38	00-291444-00002	Clamp – Bowl (RH Shown)	1
39	00-291263	Washer – Belleville	6
40	00-274614	Screw – Pivot	2
41	00-087711-252-1	Switch – Reed	1

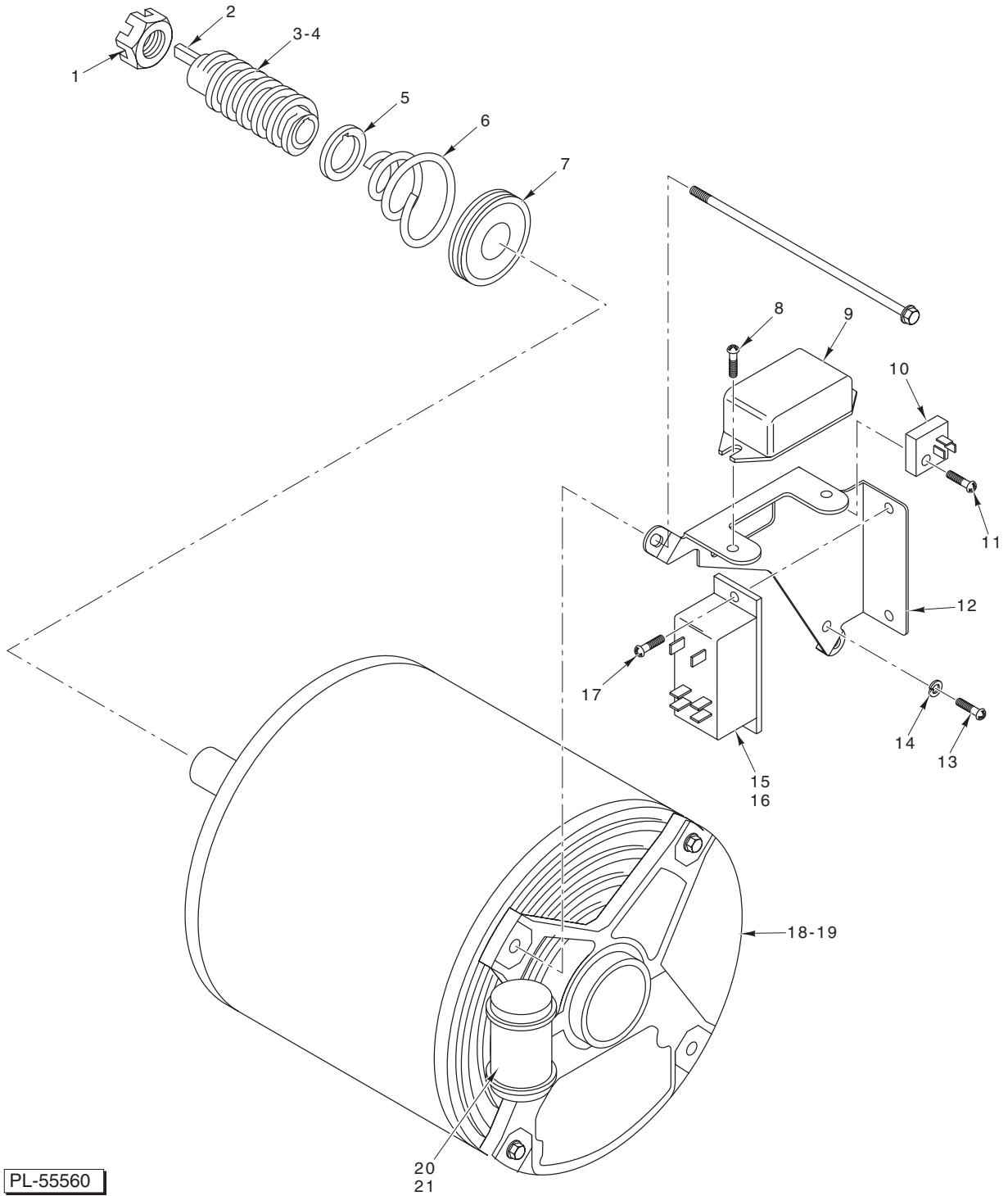
* Used On Starting Serial Number #31-1259-262.



TRANSMISSION CASE AND SHIFTER UNIT

TRANSMISSION CASE AND SHIFTER UNIT

ILLUS.	PART NO.	NAME OF PART	AMT.
PL-55562			
1	00-018231-00003	Cover – Transmission Case (Painted)	1
2	SC-016-17	Mach. Screw 12-24 x 1 ¹ / ₄ Oval Hd.	1
3	SC-015-57	Mach. Screw 12-24 x 1 ¹ / ₂ Oval Hd.	1
4	00-012708	Retainer – Twin Bearing	1
5	00-020394-00001	Cap – Bearing Retainer	1
6	00-020395	Retainer – Bearing	1
7	00-011800-00061	Dowel	2
8	00-012735	Rod – Shifter Guide	1
9	00-873802-00005	Cover – Back (Painted)	1
10	WL-003-28	Lockwasher #12 Light	4
11	SC-127-85	Mach. Screw 12-24 x 2 ¹ / ₂ Pan Hd.	4
12	SC-009-49	Mach. Screw 6-32 x ³ / ₈ Rd. Hd.	2
13	00-115231-00002	Cover – Conduit	1
14	FE-022-84	Strain Relief ¹ / ₂ NPT	1
15	00-117542-00081	Cord & Plug Assy. (3 Cnd., Under 150 V.)	1
16	00-117542-00080	Cord Assy. (I.E.C.)	1
17	00-077401	Knob – Shifter Handle	1
18	00-875241	Handle – Shifter (Incls. Item 17)	1
19	SC-015-34	Mach. Screw 10-24 x ¹ / ₂	4
20	00-290115-00001	Plate – Shifter Index	1
21	00-023946	Gasket – Shifter Index Plate	1
22	PS-003-08	Spiral Pin ¹ / ₈ Dia. x ³ / ₄ Lg.	1
23	BA-002-09	Ball ¹ / ₄ Dia.	2
24	00-111170	Spring – Detent	2
25	NS-013-22	Nut ³ / ₈ -16 Hex	1
26	WL-004-06	Lockwasher ³ / ₈ Medium	1
27	00-013160	Yoke – Shifter	1
28	00-873504	Cam – Gear Shifter	1
29	00-012733	Plunger – Shifter Yoke	2
30	00-012734	Spring – Shifter Yoke	2
31	00-012732	Retainer – Shifter Yoke Spring	2
32	00-873140-00001	Case – Transmission (Incls. Items 7 & 33)	1
33	00-011800-00116	Dowel	1
34	WL-003-28	Lockwasher #12 Light	4
35	SC-119-07	Mach. Screw 12-24 x ³ / ₄ Hex Hd.	4
36	00-067750	Transmission Shaft Support & Screw Assy. (Incls. Items 37 & 38)	1
37	NS-009-36	Mach. Nut 12-24 Hex	1
38	SC-008-56	Mach. Screw 12-24 x ¹ / ₂ Rd. Hd.	1
39	00-064871	Plug – Friction	2
40	WL-003-28	Lockwasher #12 Light	3
41	SC-008-48	Mach. Screw 12-24 x ¹ / ₂ Rd. Hd.	3
42	WL-003-22	Lockwasher #10 Light	4
43	SC-018-01	Mach. Screw 10-24 x ³ / ₈ Pan Hd.	4
44	NS-009-36	Mach. Nut 12-24 Hex	2
	00-875249	Shifter Assy. (Incls. Items 18, 20, 22, 23, 24, & 28)	1

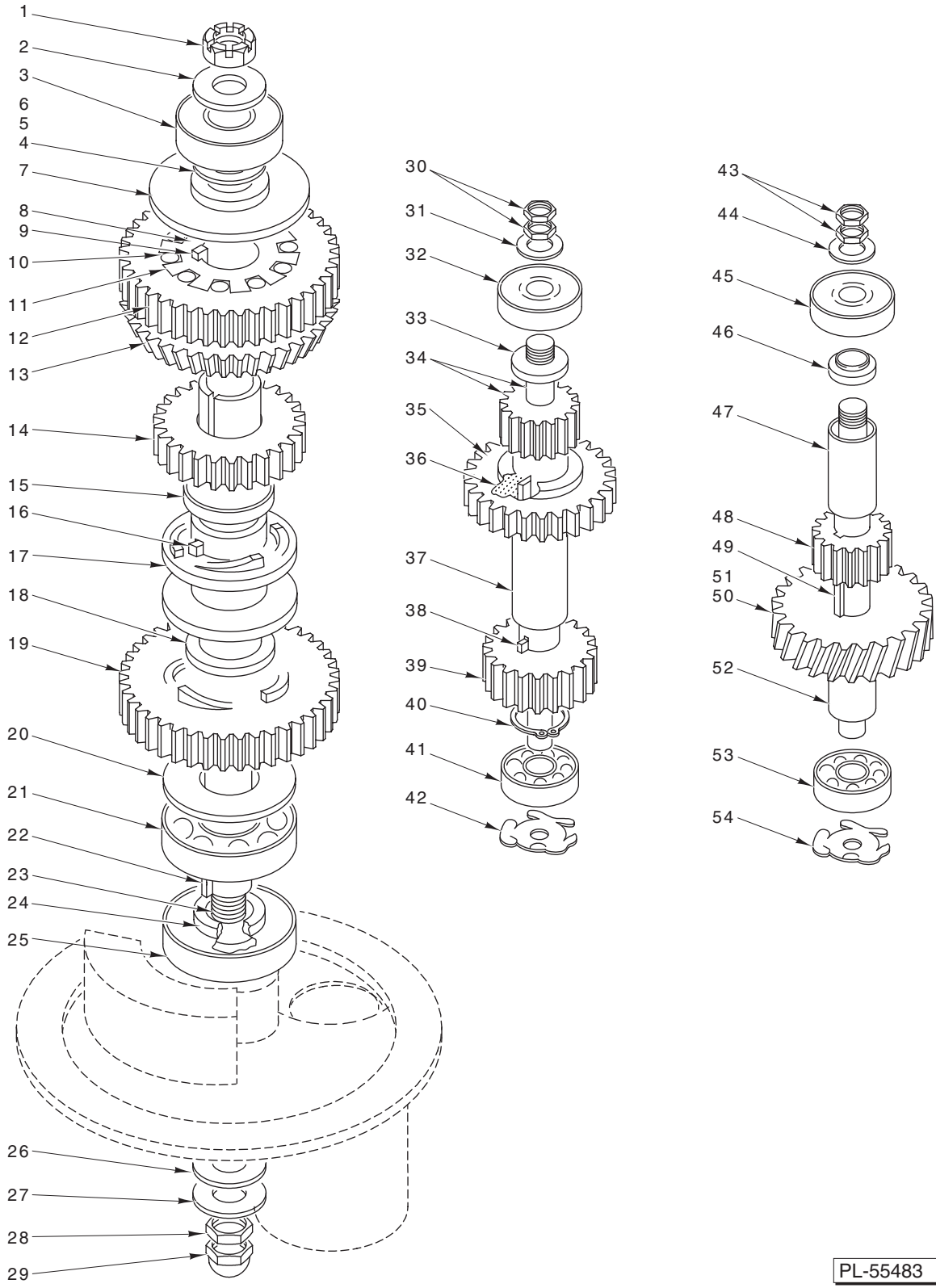


PL-55560

MOTOR PARTS

MOTOR PARTS

ILLUS.	PART NO.	NAME OF PART	AMT.
PL-55560			
1	NS-032-23	Lock Nut	1
2	00-012430-00004	Key 1/8 x 1/8 x 1/4	1
3	00-291221	Gear – Worm (60 Cycle)	1
4	00-070407	Gear – Worm (50 Cycle)	1
5	00-012754	Washer	1
6	00-012757	Spring – Shock Absorber	1
7	00-873057	Deflector – Grease	1
8	SD-015-38	Self-Tapping Screw 6-32 x 3/8 Phil. Pan Hd., Type TT	2
9	00-271612-00002	Switch – Electronic Start (50/60 Hz.)	1
10	00-873203-00002	Block – Terminal	1
11	SD-015-38	Self-Tapping Screw 6-32 x 3/8 Phil. Pan Hd., Type TT	1
12	00-873125	Bracket – Component Mounting	1
13	SD-015-39	Self-Tapping Screw 8-32 x 1/4 Phil. Pan Hd., Type TT	2
14	WL-008-07	Lockwasher #8 Internal Shakeproof	2
15	00-087714-042-1	Relay (2 Pole) (115 V.)	1
16	00-087714-042-3	Relay (2 Pole) (240 V.)	1
17	SD-015-38	Self-Tapping Screw 6-32 x 3/8 Phil. Pan Hd., Type TT	2
18	00-873061-00001	Motor Assy. (60 Hz.)	1
19	00-873061-00003	Motor Assy. (50 Hz.)	1
20	00-113703	Cable Tie	2
21	00-070487-00025	Capacitor – Motor Start	1

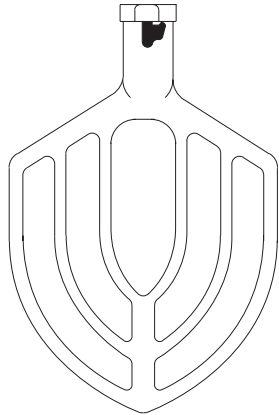


PL-55483

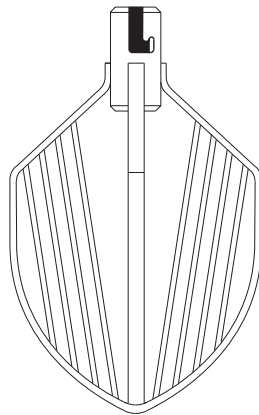
TRANSMISSION GEAR UNIT

TRANSMISSION GEAR UNIT

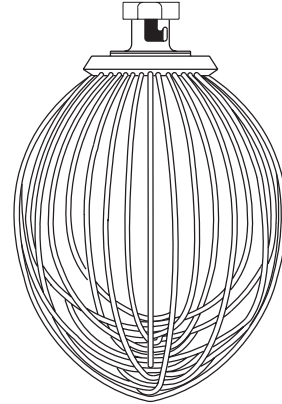
ILLUS.	PART NO.	NAME OF PART	AMT.
PL-55483			
1	NS-032-29	Stop Nut 1/2-20 Flexloc	1
2	WS-008-13	Washer – Retaining	1
3	BB-020-18	Ball Bearing	1
4	WS-010-18	Washer – Bearing Shim (0.002 In. Thk.)	AR
5	WS-010-19	Washer – Bearing Shim (0.003 In. Thk.)	AR
6	WS-010-20	Washer – Bearing Shim (0.010 In. Thk.)	AR
7	00-107145	Spacer – Planetary Shaft	1
8	00-124730	Sleeve – Roller Clutch Drive	1
9	00-109070-00002	Key	1
10	00-124729	Clutch – Roller	10
11	00-124732	Spring – Roller	10
12	00-124752	Gear – Slow Speed (46T)	1
13	00-124733-00002	Gear – Bevel (46T)	1
14	00-124744	Gear – Clutch (29T)	1
15	00-012695	Bearing – Clutch Gear	1
16	00-012430-00059	Key – Clutch Sleeve	2
17	00-070035-00001	Sleeve – Clutch	1
18	00-012695	Bearing – Clutch Gear	1
19	00-124743	Gear – Lower Clutch (38T)	1
20	00-012723	Spacer – Lower	1
21	BB-020-06	Ball Bearing	1
22	00-012430-00017	Key	1
23	00-124734	Shaft – Planetary	1
24	00-437342	Spacer – Bearing	1
25	00-114695	Seal – Oil	1
26	00-124946	Washer – Fiber	1
27	WS-030-83	Washer – Retaining (STL)	1
28	00-010928-00002	Nut – Special	1
29	00-024715-00003	Acorn Nut 1/2-20	1
30	00-012710	Nut – Retaining	2
31	WS-006-36	Washer – Retaining	1
32	BB-005-02	Ball Bearing	1
33	00-012744	Spacer – Upper	1
34	00-291236	Shaft – Transmission (15T)	1
35	00-124736	Gear (32T)	1
36	00-435297	Key	1
37	00-012697	Spacer – Lower	1
38	00-435297	Key	1
39	00-124760	Gear (23T)	1
40	RR-004-18	Retaining Ring	1
41	BB-005-01	Ball Bearing	1
42	SL-002-08	Spring – Loading	1
43	00-012710	Nut – Retaining	2
44	WS-006-36	Washer – Retaining	1
45	BB-005-02	Ball Bearing	1
46	00-124745	Washer	1
47	00-124765-00001	Spacer – Gear	1
48	00-124748	Gear (15T)	1
49	00-012430-00004	Key	1
50	00-124751-00003	Worm Wheel & Bushing Assy. (60 Hz.)	1
51	00-124749-00002	Worm Wheel & Bushing Assy. (50 Hz.)	1
52	00-291128	Shaft – Worm Wheel	1
53	BB-005-01	Ball Bearing	1
54	SL-002-08	Spring – Loading	1
	00-292799-00002	Planetary Shaft Assy. (Incls. Items 7, 8, 9, 12 thru 20, & 23)	1
	00-292800	Transmission Shaft Assy. (Incls. Items 33 thru 40)	1
	00-292798-00001	Worm Wheel Shaft Assy. (60 Hz.) (Incls. Items 46 thru 50 & 52)	1
	00-292798-00002	Worm Wheel Shaft Assy. (50 Hz.) (Incls. Items 46 thru 49, 51, & 52)	1



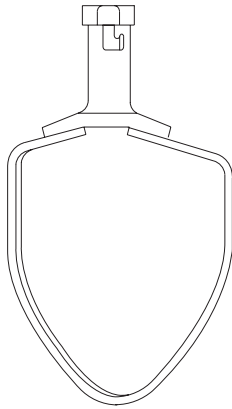
1-2



3



4



5

PL-55564

AGITATORS

ILLUS.	PART NO.	NAME OF PART	AMT.
1	00-275549	"B" Flat Beater (Packaged)	1
2	00-275551	"B" Flat Beater (SST) (Packaged)	1
3	00-295166	"C" Wing Whip (Packaged)	1
4	00-275895	"D" Wire Whip (SST) (Packaged)	1
5	00-315692	"P" Pastry Knife (Packaged)	1