



**A200 MIXER
TECHNICAL MANUAL
(ML-104858)
(115/60/3)**

SPECIFICATION SHEET

INSTALLATION INSTRUCTIONS

OPERATION INSTRUCTIONS

CLEANING INSTRUCTIONS

MAINTENANCE INSTRUCTIONS

TROUBLE SHOOTING INSTRUCTIONS

WIRING DIAGRAMS

CATALOG OF REPLACEMENT PARTS

SMARTPARTS™ USER GUIDE

RECOMMENDED SPARE PARTS LIST

Need other Hobart Services?



- [Warranty Registration](#)
- [Delivery and Installation](#)
- [Preventive Maintenance](#)
- [Hobart Service Contracts](#)
- [Extended Warranty Contracts](#)
- [Parts and Accessories](#)
- [Specialty Programs](#)
- [Water Treatment Programs](#)
- [Air Filtration System](#)





A-200 MIXER

HOBART

STANDARD FEATURES

- ½ H.P. Hobart Designed Fixed Speed Motor
- Gear-Driven Transmission
- 15 Minute Timer
- Three Fixed Speeds
- Open Base
- Large, Easy-To-Reach Controls
- #12 Taper Attachment Hub
- Stainless Steel Bowl Guard
- Manual Bowl Lift
- 20-Quart Stainless Steel Bowl, "B" Flat Beater, "D" Wire Whip, Cord and Plug

ACCESSORIES

- Stainless Steel Bowl
- "B" Flat Beater
- Stainless Steel "B" Beater
- "C" Wing Whip
- "D" Wire Whip
- "E" Dough Hook
- "ED" Dough Hook
- "P" Pastry Knife
- Bowl Splash Cover
- Bowl Scraper
- 12 Quart Accessories
- Ingredient Chute
- 9" Vegetable Slicer
- Meat Chopper Attachment

MODEL

- A-200 – 20-Quart All Purpose Mixer
- A-200C – 20-Quart All Purpose Mixer with Maximum Security Correctional Package (115/60/1, Bench Model only)

OPTIONS

- Deluxe Nickel Chrome Plate Finish (115/60/1 and 230/60/1, Bench Model only)
- Floor Model (Base is 21"W x 21½"D x 41¼"H)

Specifications, Details and Dimensions on Inside and Back.



A-200 MIXER

A-200 MIXER



SOLUTIONS/BENEFITS

½ H.P. Hobart Designed Motor

Durability

- Heavy-duty to meet the most demanding operations

15-Minute Electric Timer

Convenience, Ease of Use, Consistency

- Supports recipe mixing times
- Simplifies operation
- Provides accurate results and eliminates overmixing

Three Fixed Speeds

Flexibility, Reliability, Consistency

- For incorporating, blending, mixing ingredients
- Supports consistent results and thorough mixing

Bowl Guard

Protection

- Safety interlock prevents operation when front portion of guard is out of position

Gear-Driven Transmission

Durability, Reliability

- Ensures consistent performance and minimum downtime with positive drive under heavy loads

Hobart Attachments

Durability, Flexibility

- Hobart manufactured accessories are designed for long-term usage under heavy-duty conditions
- Large array of attachments provide multiple uses for recipe and product processing

A-200 MIXER CAPACITY CHART

Recommended Maximum Capacities - dough capacities based on 70°F. water and 12% flour moisture.

PRODUCT	AGITATORS SUITABLE FOR OPERATION	A-200
CAPACITY OF BOWL (QTS. LIQUID)		20
Egg Whites	D	1 qt.
Mashed Potatoes	B & C	15 lbs.
Mayonnaise (Qts. of Oil)	B or C or D	10 qts.
Meringue (Qts. of Water)	D	1½ pts.
Waffle or Hot Cake Batter	B	8 qts.
Whipped Cream	D or C	4 qts.
Cake, Angel Food (8-10 oz. cake)	C or I	15
Cake, Box or Slab	B or C	20 lbs.
Cake, Cup	B or C	20 lbs.
Cake, Layer	B or C	20 lbs.
Cake, Pound	B	21 lbs.
Cake, Short (Sponge)	C or I	15 lbs.
Cake, Sponge	C or I	12 lbs.
Cookies, Sugar	B	15 lbs.
Dough, Bread or Roll (Lt.-Med.) 60% AR	§ ED	25 lbs.□
Dough, Heavy Bread 55% AR	§ ED	15 lbs.□
Dough Pie	B & P	18 lbs.
Dough, Thin Pizza 40% AR (max. mix time 5 min.)	§‡ ED	9 lbs.□
Dough, Med. Pizza 50% AR	§‡ ED	10 lbs.□
Dough, Thick Pizza 60% AR	§‡ ED	20 lbs.□
Dough, Raised Donut 65% AR	ED	9 lbs.*
Dough, Whole Wheat 70% AR	ED	20 lbs.
Eggs & Sugar for Sponge Cake	B & C or I	8 lbs.
Icing, Fondant	B	12 lbs.
Icing, Marshmallow	C or I	2 lbs.
Shortening & Sugar, Creamed	B	16 lbs.
Pasta, Basic Egg Noodle (max. mix time 5 min.)	ED	5 lbs.

NOTE: % AR (% Absorption Ratio) - Water weight divided by flour weight. Capacity depends on moisture content of dough. Above capacities based on 12% flour moisture at 70°F water temperature.

□ 1st Speed

* 2nd Speed

§ If high gluten flour is used, reduce above dough batch size by 10%.

‡ 2nd Speed should never be used on 50% AR or lower products.

USE OF ICE REQUIRES A 10% REDUCTION IN BATCH SIZE.

1 gallon of water weighs 8.33 lbs.

NOTE: Attachment hub should not be used while mixing.

SPECIFICATIONS

MOTOR:

½ H.P., Hobart designed, permanently lubricated ball bearings, splash-proof, fan cooled. Single-phase is capacitor-start, induction-run type.

Single Phase	115V	8.2 Amps
	230V	4.2 Amps

ELECTRICAL:

115/60/1 and 230/60/1 – U L Listed. Also available in 100/50/1, 220/50/1, 100/60/1 and 220/60/1 – not submitted for U L Listing.

CONTROLS:

Two-pole toggle switch with No Volt Release. A 15-minute electric timer is standard. Non-timed operation obtained by setting timer on “HOLD” position.

TRANSMISSION:

Gear-driven. Gears are constant mesh heat-treated alloy steel. Anti-friction ball bearings. A hardened steel worm and special worm wheel transmit power from motor to transmission. Grease lubricated.

SPEEDS:

Three positive speeds - Low, Intermediate, and High.

	Agitator (RPM)	Attachment (RPM)
Low	107	61
Intermediate	198	113
High	361	205

BOWL GUARD:

Heavy-duty stainless steel wire front and solid stainless steel rear portion. Front portion of guard rotates easily to add ingredients and install or remove agitator. It detaches in seconds for cleaning in dishwasher or sink. Rear portion of guard can be quickly cleaned in position. Guard must be in closed position before mixer will operate. The bowl support lock prevents the bowl from being lowered while mixer is running. Bowl support interlock provides further protection.

BOWL LIFT:

Hand crank operated, self-locking in any position.

FINISH:

Standard Metallic Gray finish, Polyurethane Enamel. Deluxe finish has nickel-chrome plating on transmission case, bowl support, pedestal and base.

STANDARD EQUIPMENT:

Consists of the mixer unit with cord and plug, one (1) 20-quart stainless steel bowl, one (1) “B” flat beater, one (1) “D” wire whip, stainless steel bowl guard, cord and plug.

ATTACHMENT HUB:

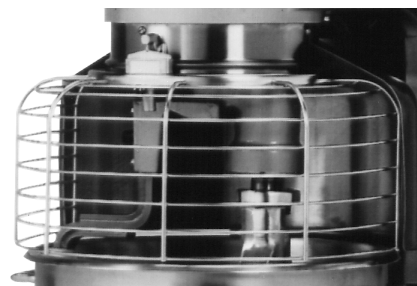
When specified, comes with front-mounted Hobart standard #12 taper attachment hub for use with #12 size attachments.

NOTE: Use of attachment hub during mixing operation may result in a negative impact on performance and longevity of mixer.

ATTACHMENTS AND ACCESSORIES:

The following are available at extra cost:

- | | |
|----------------------------|----------------------|
| Stainless Steel Bowl | Bowl Splash Cover |
| “B” Flat Beater | Bowl Scraper |
| Stainless Steel “B” Beater | 12 Quart Accessories |
| “C” Wing Whip | Ingredient Chute |
| “D” Wire Whip | 9” Vegetable Slicer |
| “E” Dough Hook | Meat Chopper |
| “ED” Dough Hook | Attachment |
| “P” Pastry Knife | |



Hobart Bowl Scraper



Hobart Ingredient Chute

LISTED BY: Underwriters Laboratories, Inc. and the National Sanitation Foundation.

A-200 MIXER



SPECIFICATIONS

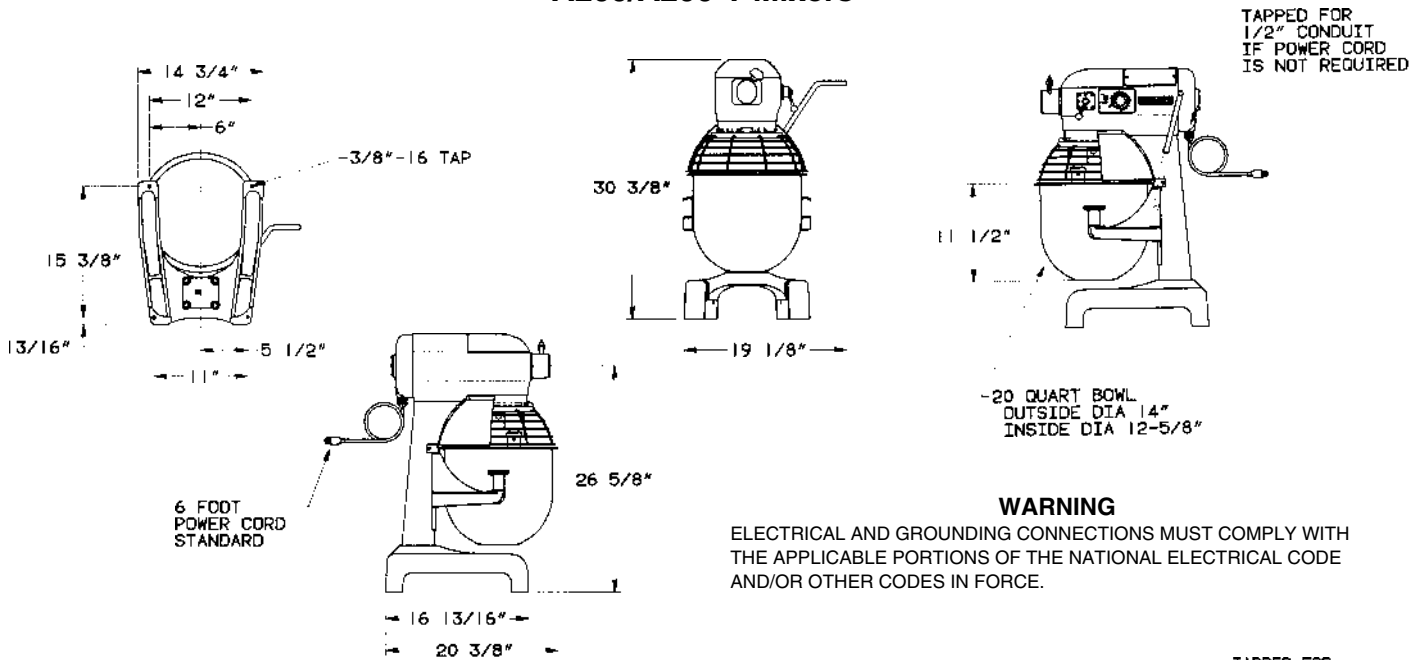
ELECTRICAL SPECIFICATIONS: 115/60/1 and 230/60/1 – U L Listed. Also available in 100/50/1, 220/50/1, 100/60/1 and 220/60/1 – not submitted for U L Listing.

WEIGHT: 204 lbs. net; 226 lbs. domestic shipping. Floor Model: 230 lbs. net; 296 lbs. domestic weight.

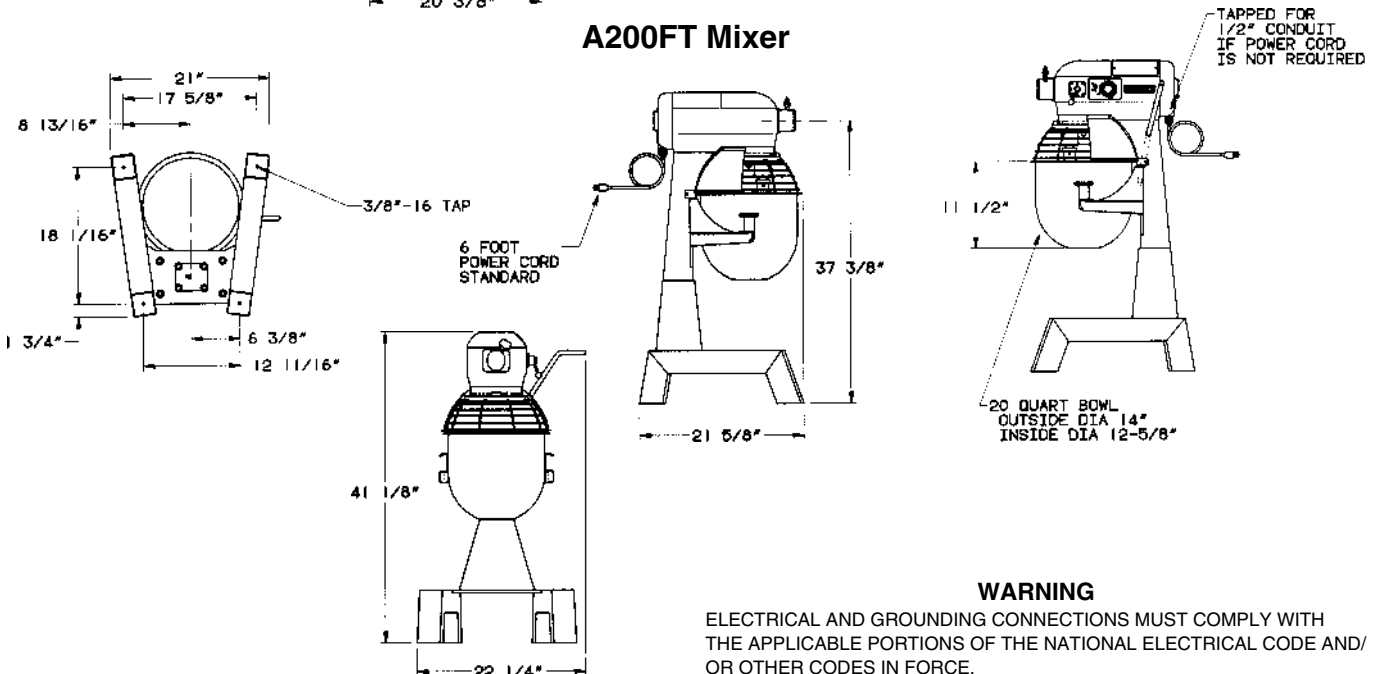
WARRANTY: Unit has full one-year warranty on parts, labor and mileage against manufacturer's defects. Service contracts are available.

DETAILS AND DIMENSIONS

A200/A200-T Mixers



A200FT Mixer



As continued product improvement is a policy of Hobart, specifications are subject to change without notice.

INSTRUCTIONS

A200 MIXER

MODEL

A200 *ML-104859 (without Timer)*
ML-104858 (with Timer)
ML-104863 (Deluxe Finish with Timer)
ML-104861 (Floor Model with Timer)



701 S. RIDGE AVENUE
TROY, OHIO 45374-0001

937 332-3000

www.hobartcorp.com

FORM 34387 (Feb. 2000)



MODEL A200 MIXER

Installation, Operation, and Care of A200 MIXER

SAVE THESE INSTRUCTIONS

GENERAL

The model A200 mixer is a 20 quart, bench-type mixer with a 1/2 H.P. motor, and a #12 attachment hub. With the use of special agitators, a 12 quart bowl may be used on the A200 mixers.

The floor model and the deluxe finish model are equipped with a timer.

Most A200 mixers are equipped with a 0 - 15 minute timer.

There are a variety of attachments and accessories available for all models, and these are explained in a separate *Use and Applications Handbook* which is supplied with each mixer.

INSTALLATION

UNPACKING

Immediately after unpacking the mixer, check for possible shipping damage. If this machine is found to be damaged after unpacking, save the packaging material and contact the carrier within 15 days of delivery.

Prior to installation, test the electrical service to assure that it agrees with the specifications on the machine data plate.

LOCATION

Place the mixer on a suitable sturdy level surface. There should be adequate space around the mixer for the user to operate the controls and install and remove bowls.

Holes are provided in the base to permanently secure the mixer, although this is not necessary in normal installations. Four plastic plugs are supplied with the mixer to plug these holes if they are not used.

ELECTRICAL CONNECTIONS (Cord Connected Mixers)

WARNING: THE ELECTRICAL CORD ON THIS MACHINE IS EQUIPPED WITH A THREE-PRONGED GROUNDING PLUG WHICH MUST BE CONNECTED TO A PROPERLY GROUNDING RECEPTACLE. IF THE RECEPTACLE IS NOT THE PROPER GROUNDING TYPE, CONTACT AN ELECTRICIAN. DO NOT REMOVE THE GROUNDING PRONG FROM THE PLUG.

OPERATION

WARNING: MOVING BEATER IN BOWL. KEEP HANDS, CLOTHING, AND UTENSILS OUT WHILE IN OPERATION, DO NOT USE WITHOUT INTERLOCKED GUARD.

CONTROLS

All models are furnished with an On-Off toggle switch which controls power to the mixer.

The Bowl Guard must be in position or the mixer will not operate. Refer to page 6.

If the Bowl Support is not all the way up, the mixer will not operate unless the On-Off switch is held in the up position.

The TIMER (if equipped) is used in conjunction with the On-Off switch for timed mixing operations and will stop the mixer when the desired time has elapsed.

With the timer set on HOLD, the mixer will run until the On-Off switch is turned to Off.

The GEAR SHIFT LEVER (Fig. 1) is used to change speeds. Always stop the mixer before changing speeds. To change speeds, turn the switch Off, move the gear shift lever to the desired speed, and turn the switch back On.

Speed 1 (Low) — This speed is for heavy mixtures such as bread dough, heavy batters, and potatoes.

Speed 2 (Medium) — This speed is for light dough which must rise quickly, cake batters, and some whipping operations.

Speed 3 (High) — This is a fast speed for light work such as whipping cream, beating eggs, and mixing thin batters.

The BOWL LIFT HANDLE (Fig. 1) is used to raise and lower the bowl. To raise the bowl, rotate the handle upward; rotating the handle downward lowers the bowl.

MIXING

This section explains operation of the mixer and how to install bowls, agitators, and attachments. A separate *Use and Applications Handbook* is provided with the mixer which contains information on mixing procedures and outlines specific uses for agitators, attachments, and accessories.

Bowl

New mixer bowls and agitators (beaters, whips, and dough arms) should be thoroughly washed with hot water and a mild soap solution, rinsed with either a mild soda or vinegar solution, and thoroughly rinsed with clear water BEFORE being put into service. This cleaning procedure should also be followed for bowls and agitators before whipping egg whites or whole eggs.

The bowl must be installed before the agitator. To install the bowl, fully lower the bowl support (Fig. 1). Position the bowl so the alignment bracket on the back of the bowl is in the bowl retainer and the alignment pins (Fig. 1) on the front of the bowl support fit in the holes on the sides of the bowl. Lock the bowl in place by rotating the bowl clamps (Fig. 1) over the ears of the bowl.

Agitator

To install an agitator (Fig. 1), the bowl must be installed and fully lowered. Place the agitator in the bowl, push it up on the agitator shaft, and turn it clockwise to seat the shaft pin in the slot of the agitator shank.

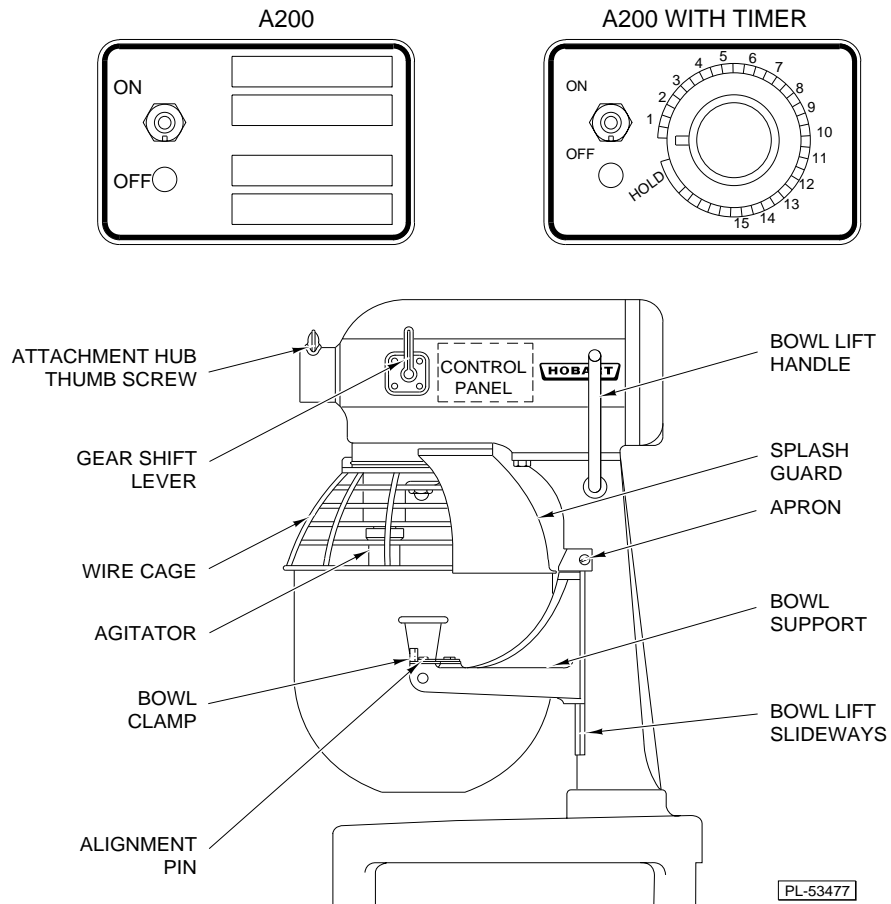


Fig. 1

To Raise the Bowl While Mixing

To raise the bowl while the agitator is mixing the product (when required by recipe or when using the Bowl Scraper Attachment): Load ingredients. Close Wire Cage Assembly. Select Low speed. To begin mixing, hold the On-Off switch in the up position; then raise the bowl.

Attachments

To install an attachment, loosen the thumb screw on the attachment hub (Fig. 1) and remove the plug. Insert the attachment into the attachment hub making certain that the square shank of the attachment is in the square driver of the mixer. Secure the attachment by tightening the thumb screw.

Move the gear shift lever to the desired speed and start the mixer to operate the attachment.

The meat and food chopper attachment should be operated in second or third speed. If material in the cylinder stalls the mixer, stop the mixer at once. DO NOT attempt to restart the mixer in a lower speed — remove the adjusting ring, knife, plate, and worm and clear the obstruction. THIS ATTACHMENT MUST NOT BE USED TO CHOP BREAD CRUMBS.

NOTE: Attachment hub should not be used while mixing.

Bowl Scraper Attachment

The Mixer Bowl Scraper Attachment (when ordered) is provided with a separate instruction manual covering its installation, operation, use and care.

Bowl Guard (Fig. 2)

The Wire Cage Assembly on the Bowl Guard can be rotated out-of-the-way to add ingredients or access the bowl and agitator.

To rotate the Wire Cage Assembly to the rear . . .

Rotate the Wire Cage Assembly to the left until it is positioned underneath the Splash Guard. Note how the grooves on the nylon Retainers allow the Wire Cage to ride around the circular Ridge of the planetary Drip Cup.

The Wire Cage must be returned to the front and center position for the mixer to operate.

To remove the Wire Cage Assembly for cleaning . . .

Lower the Bowl. Rotate the Wire Cage Assembly to the left until it is positioned underneath the Splash Guard. Remove both Agitator and Bowl.

While holding the Wire Cage Assembly with both hands, rotate it completely to the left. When the front-center Retainer reaches the end of its travel, it can be lowered through the flat on the Ridge of the Drip Cup. After lowering the front-center Retainer, move the Wire Cage Assembly slightly to the rear so the Rear Retainers clear the Ridge on the Drip Cup. The Wire Cage Assembly can now be lowered and removed.

Wash the Wire Cage in a sink or dishwasher; rinse with clear water; and dry with a clean cloth.

The stainless steel Splash Guard can be wiped off or washed easily with a cloth or sponge and warm soapy water. Rinse with clear water. Dry with a clean cloth.

To reinstall the Wire Cage Assembly . . .

Hold the Wire Cage so its top ring is positioned around the planetary Drip Cup with the grooves in both nylon Rear Retainers straddling the Ridge on the Drip Cup at the rear. Lift the Wire Cage Assembly so the front-center Retainer passes up through the flat on the Ridge of the Drip Cup and rotate the Wire Cage Assembly to the right. The Wire Cage is properly assembled when all three Retainers straddle the Ridge on the Drip Cup in the three opposed locations. Rotate the Wire Cage Assembly to the right until it stops at the front-center position.

Rotate the Wire Cage out-of-the-way to install or remove the Agitator and Bowl or to add ingredients.

Return the Wire Cage to its front-center position to operate the mixer.



To Remove:

Rotate Wire Cage to the Left 340 Degrees until the Front-Center Retainer can be lowered through the Flat on the Ridge of the Drip Cup.

PL-40562-1

Fig. 2

CLEANING

WARNING: UNPLUG MACHINE POWER CORD BEFORE BEGINNING ANY CLEANING PROCEDURE.

The mixer should be thoroughly cleaned daily.

Bowls and agitators should be removed from the mixer and cleaned in a sink.

DO NOT use a hose to clean the mixer — it should be washed with a clean damp cloth. The apron (Fig. 1) may be removed by loosening the thumb screws.

The Drip Cup-Splash Guard (which is secured by three screws) should be removed periodically and wiped clean.

For cleaning the Bowl Guard (including both Wire Cage Assembly and Splash Guard), refer to page 6.

MAINTENANCE

WARNING: UNPLUG MACHINE POWER CORD BEFORE BEGINNING ANY MAINTENANCE PROCEDURE.

LUBRICATION

Bowl Clamps (Fig. 1) should be lubricated twice a year.

Motor

The motor has sealed ball bearings which require no lubrication maintenance.

Bowl Lift Slideways

The slideways (Fig. 1) should be lubricated once each month. Remove the apron (Fig. 1) secured by two thumb screws to expose the slideways. Then apply a light coat of Lubriplate 630AA (supplied) to three sides of both slideways. Replace the apron and thumb screws.

SERVICE

If service is needed on this equipment, contact your local Hobart Service Office.

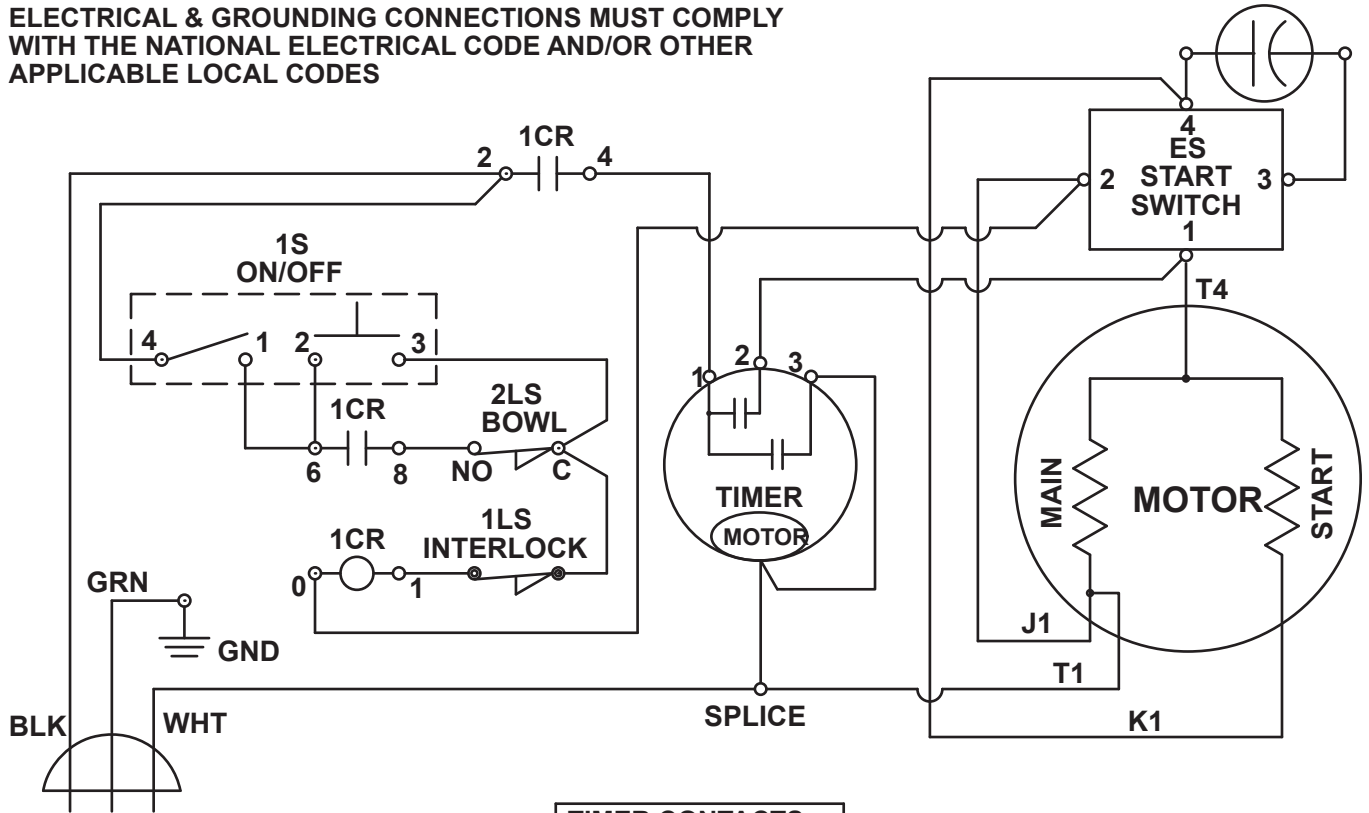
TROUBLESHOOTING A200 MIXER

SYMPTOM	POSSIBLE CAUSE
Mixer will not start.	<ol style="list-style-type: none">1. Circuit protector in open position - check fuse or disconnect switch.2. Mixer or attachment overloaded.3. Bowl not all the way up.4. Wire Cage Assembly is not in the front-center position.

NOTE:

If symptom(s) persists after possible causes have been checked, contact your local Hobart Service Office.

ELECTRICAL & GROUNDING CONNECTIONS MUST COMPLY WITH THE NATIONAL ELECTRICAL CODE AND/OR OTHER APPLICABLE LOCAL CODES



	TIMER CONTACTS	
	OPEN	CLOSED
OFF	1-2 & 1-3	---
HOLD	1-3	1-2
TIMED	---	1-2 & 1-3

**WIRING DIAGRAM
A-200-T MIXER
UNDER 150 VOLTS**

MADE FROM F19264

AI 2657



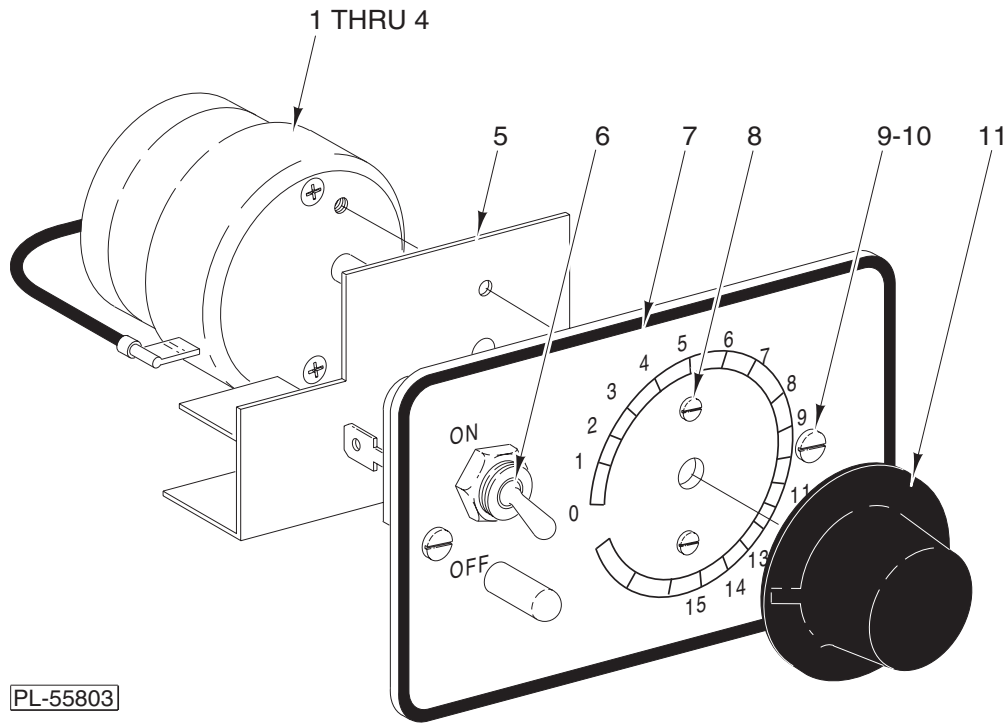
CATALOG OF REPLACEMENT PARTS



MODEL A200 SERIES MIXER

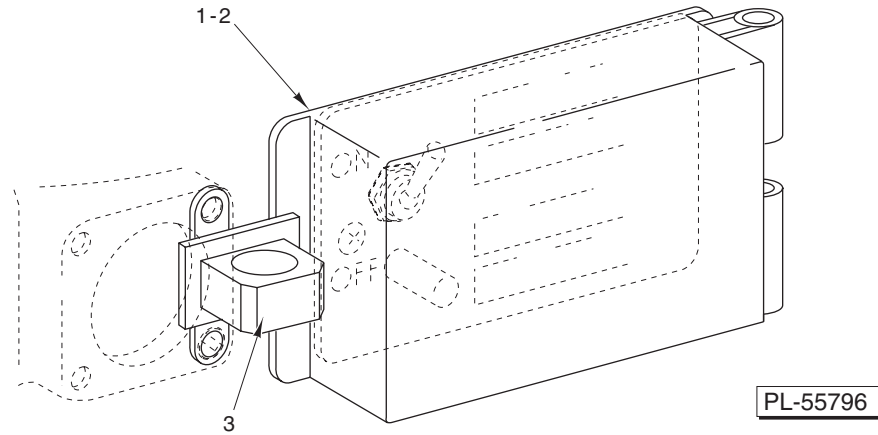
(INCLUDES MOTOR PARTS)

A200	ML-104858
A200 DT	ML-104863
A200 FT	ML-104861
A200 C	ML-134091



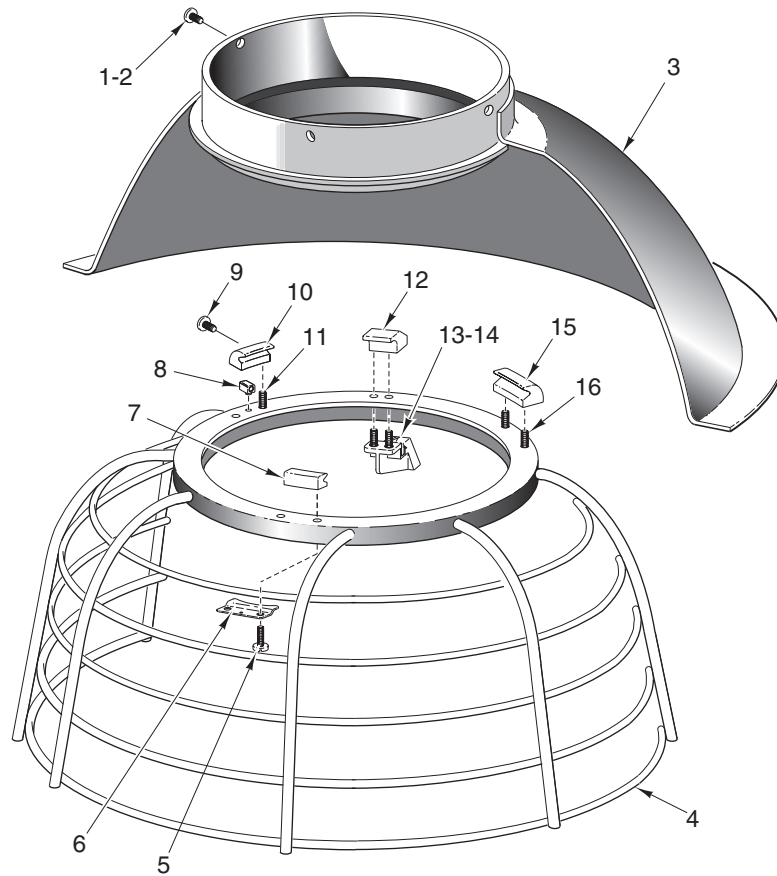
SWITCH AND TIMER UNIT

ILLUS.	PART NO.	NAME OF PART	AMT.
PL-55803			
1	00-294650-004-1	Timer Assy. (115 V., 60 Hz.)	1
2	00-294650-004-2	Timer Assy. (200/300 V., 60 Hz.)	1
3	00-294650-004-3	Timer Assy. (115 V., 50 Hz.)	1
4	00-294650-004-4	Timer Assy. (220 V., 50 Hz.)	1
5	00-291746	Insulator – Switch	1
6	00-875567	Switch Assy.	1
7	00-873115-00001	Switch Plate & Pin Assy.	1
8	SC-013-07	Mach. Screw 5-40 x 1/4 Flat Hd.	2
9	00-123109	Screw 6-32 x 3/8 Serrated Hd. (Painted and Deluxe)	2
10	SC-128-68	Mach. Screw 6-32 x 3/8 Tx. Button Hd. (SST) (ML-134091)	2
11	00-291748	Knob – Timer	1



**CORRECTIONAL COVER
(ML-134091 ONLY)**

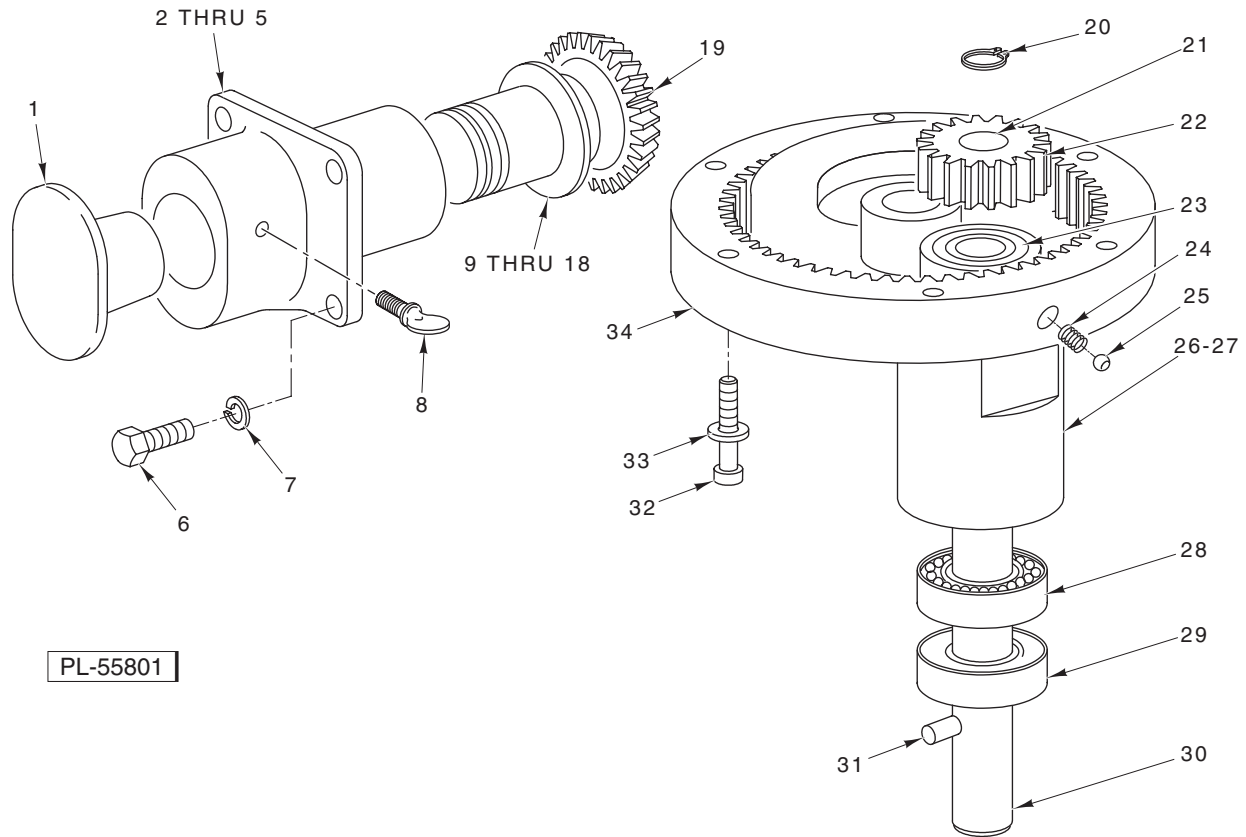
ILLUS.	PART NO.	NAME OF PART	AMT.
PL-55796			
1	00-875153	Cover	1
2	SC-128-66	Mach. Screw 8-32 x 1/2 Tx. Button Hd. (SST)	3
3	00-438151	Hasp - Plate	1



PL-55793

BOWL GUARD UNIT

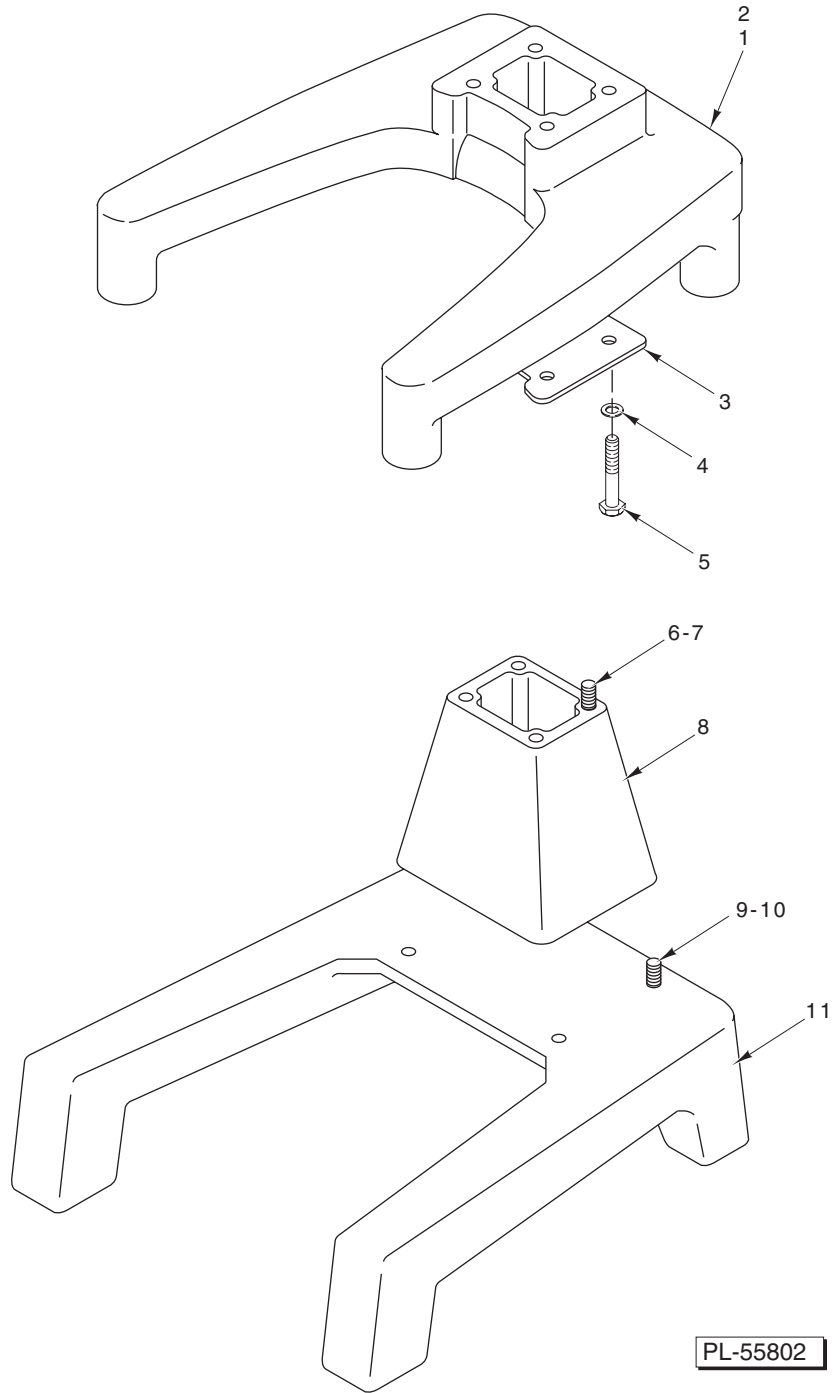
ILLUS.	PART NO.	NAME OF PART	AMT.
PL-55793			
1	SC-066-13	Mach. Screw 8-32 x 1/4 Phil. Truss Hd. (Painted and Deluxe)	3
2	SC-128-73	Mach. Screw 8-32 x 1/4 Tx. Button Hd. (SST) (ML-134091)	3
3	00-438533	Guard & Drip Cup Assy.	1
4	00-438523	Wire Cage Weldment	1
5	SC-122-44	Mach. Screw Special 8-32 x 3/8 Truss Hd.	2
6	00-438530	Stop - Cage	1
7	00-438527-00001	Shoe - Front	1
8	00-438526	Key - Shoe	1
9	SC-122-82	Mach. Screw 4-40 x 7/16 Oval Hd., Special	1
10	00-438527-00003	Shoe - Adjustable	1
11	SC-122-44	Mach. Screw - Special 8-32 x 3/8 Truss Hd.	2
12	00-438539	Bumper - Cage	1
13	00-438525	Retainer - Magnet	1
14	SC-122-83	Mach. Screw 6-32 x 3/8 Truss Hd., Special	2
15	00-438527-00002	Shoe - Fixed	1
16	SC-122-44	Mach. Screw - Special 8-32 x 3/8 Truss Hd.	2



PL-55801

PLANETARY AND ATTACHMENT HUB UNIT

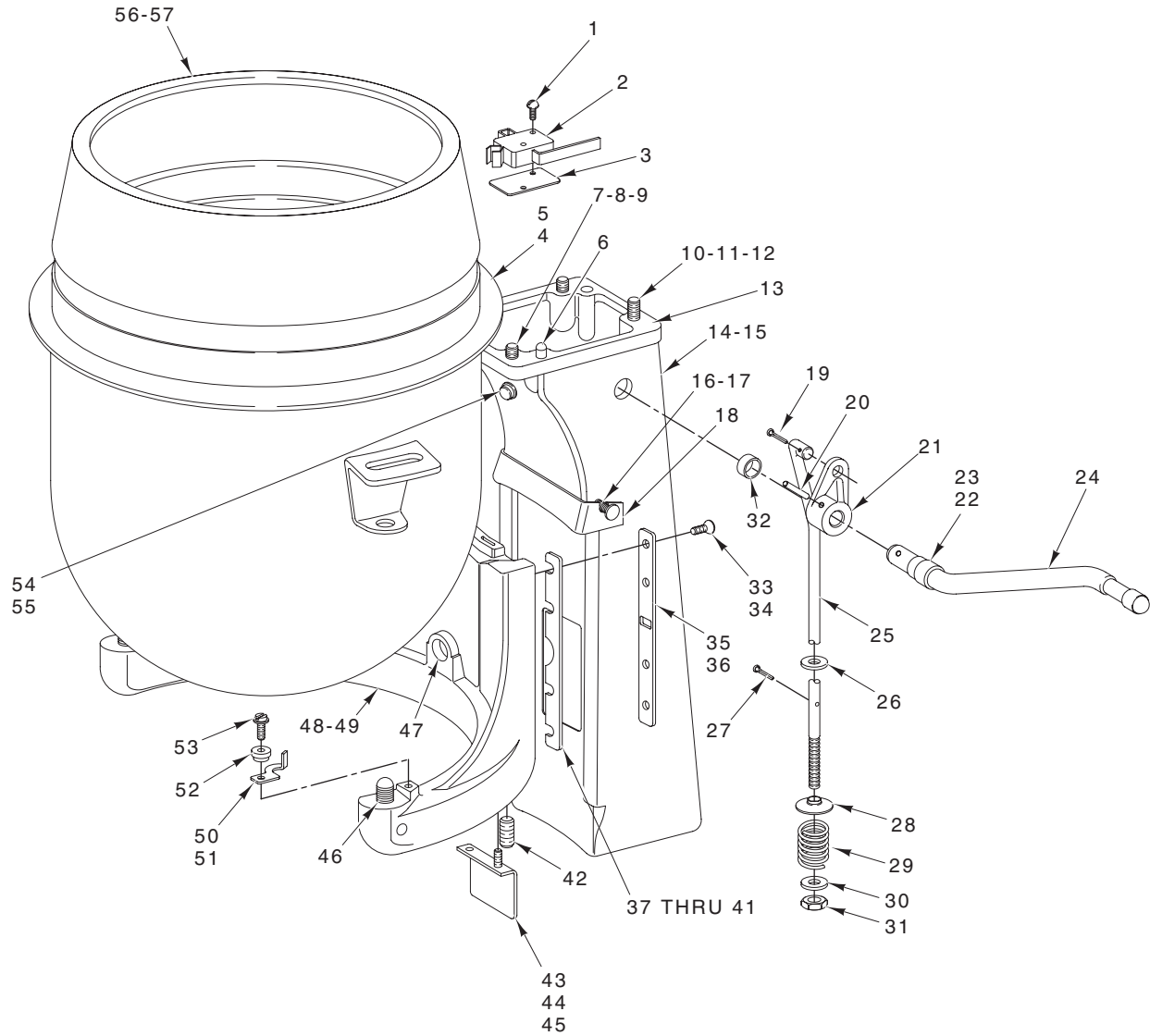
ILLUS.	PART NO.	NAME OF PART	AMT.
PL-55801			
1	00-114824-00001	Plug – Attachment Hub	1
2	00-435047-00004	Hub – Attachment (Painted)	1
3	00-435047-00007	Hub – Attachment (Deluxe)	1
4	00-435047-00004	Hub – Attachment (ML-134091)	1
5	OR-001-03	Quad Ring	1
6	SC-119-07	Mach. Screw 12-24 x 3/4 Flat Hd. (Painted)	4
7	WL-019-79	Lockwasher	4
8	00-108197-00001	Thumb Screw	1
9	00-012746-00019	Washer – Thrust (0.115 In. Thk.)	AR
10	00-012746-00005	Washer – Thrust (0.080 In. Thk.)	AR
11	00-012746-00006	Washer – Thrust (0.106 In. Thk.)	AR
12	00-012746-00007	Washer – Thrust (0.092 In. Thk.)	AR
13	00-012746-00008	Washer – Thrust (0.086 In. Thk.)	AR
14	00-012746-00009	Washer – Thrust (0.098 In. Thk.)	AR
15	00-012746-00010	Washer – Thrust (0.112 In. Thk.)	AR
16	00-012746-00012	Washer – Thrust (0.119 In. Thk.)	AR
17	00-012746-00013	Washer – Thrust (0.121 In. Thk.)	AR
18	00-012746-00016	Washer – Thrust (0.129 In. Thk.)	AR
19	00-435065-00002	Bevel Drive Gear & Seal Assy.	1
20	RR-004-18	Retaining Ring	1
21	00-012430-00055	Key 3/16 x 3/16 x 1	1
22	00-015217	Pinion – Beater (19T)	1
23	BB-018-17	Ball Bearing	1
24	00-007094	Spring	2
25	BA-002-09	Ball 1/4 Dia.	2
26	00-023166-00013	Planetary (Painted)	1
27	00-023166-00006	Planetary (Deluxe)	1
28	BB-005-34	Ball Bearing	1
29	00-023482	Seal – Oil (1 In. I.D.)	1
30	00-113936	Agitator Shaft Assy. (Incls. Item 31)	1
31	00-065062-00001	Pin	1
32	SC-040-09	Cap Screw 1/4-20 x 1 1/4 Fil. Hd.	6
33	WL-003-35	Lockwasher 1/4 Helical	6
34	00-438524-00002	Internal Gear (63T) (Incls. Items 24 & 25)	1
	00-102778-00001	Planetary Assy. (Painted) (Incls. Items 20 thru 23, 26, 28, 29, & 30)	1



BASE UNIT

BASE UNIT

ILLUS.	PART NO.	NAME OF PART	AMT.
PL-55802			
1	00-873229-00003	Base (Painted) (Bench)	1
2	00-873229-00002	Base (Deluxe)	1
3	00-108159	Screen – Air	1
4	WS-018-19	Washer (Bench) (Painted and Deluxe)	4
5	SC-097-53	Cap Screw 3/8-16 x 2 1/4 Hex Hd. (Bench) (Painted and Deluxe)	4
6	WS-018-19	Washer (Floor)	4
7	SC-062-27	Cap Screw 3/8-16 x 1 3/4 Hex Hd. (Floor)	4
8	00-074998-00004	Block – Riser (Painted) (Floor)	1
9	WS-018-19	Washer (Floor)	4
10	SC-118-10	Cap Screw 3/8-16 x 1 Hex Hd. (Floor)	4
11	00-875590-00003	Base (Painted) (Floor)	1



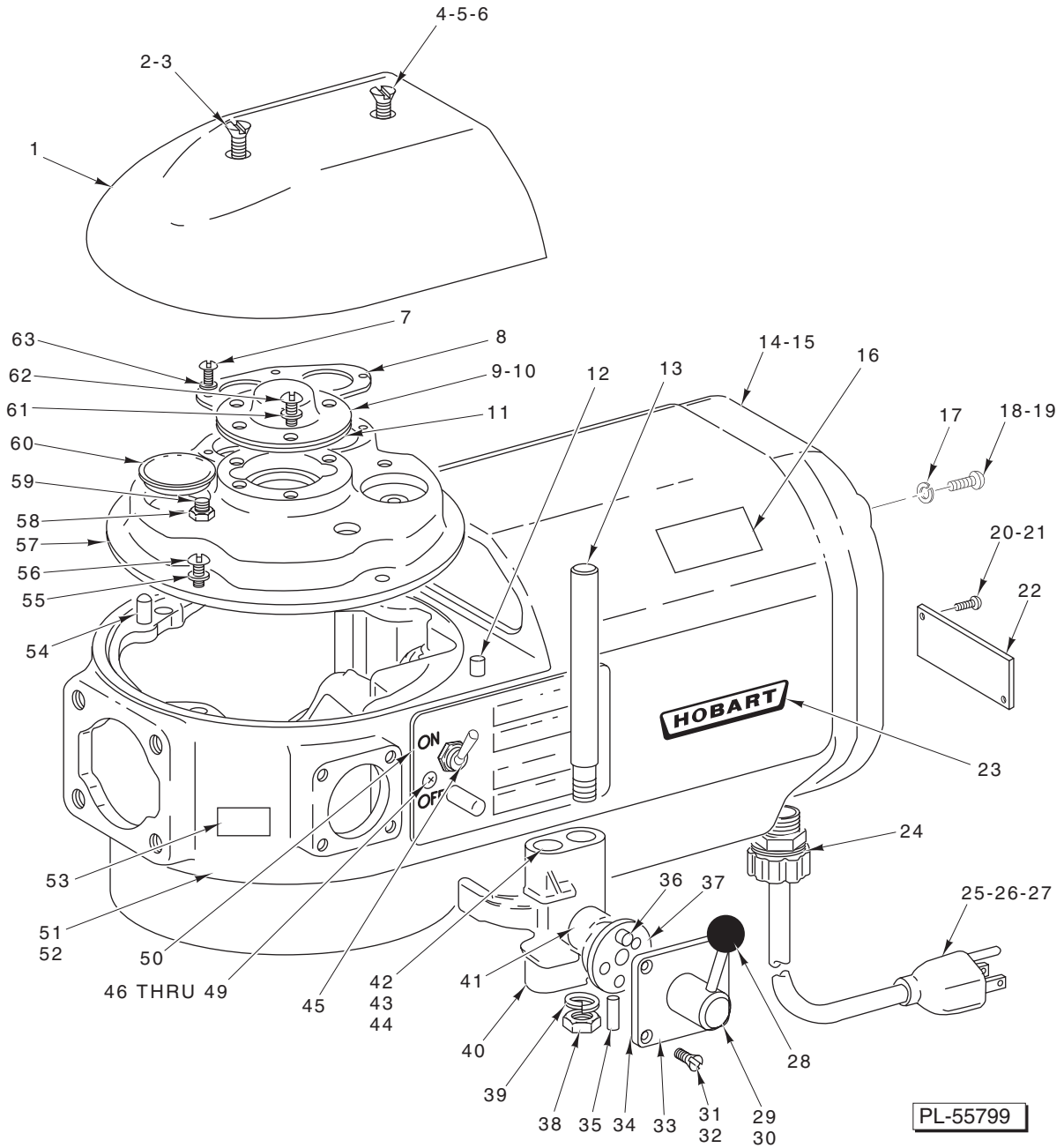
PL-55800

PEDESTAL AND BOWL UNIT

PEDESTAL AND BOWL UNIT

ILLUS.	PART NO.	NAME OF PART	AMT.
	PL-55800		
1	SC-060-40	Mach. Screw 4-40 x 5/8 Rd. Hd.	2
2	00-087711-00248	Switch – Bowl Height	1
3	00-439892	Insulator – Switch	1
4	00-275683	Bowl Assy. (20 Qt.) (SST)	1
5	00-295644	Bowl Assy. (12 Qt.) (SST)	1
6	00-270776	Dowel	2
7	WL-006-22	Lockwasher 5/16 Light	2
8	SC-041-13	Cap Screw 5/16-18 x 1 Hex Hd. (SST) (Painted)	2
9	SC-120-38	Cap Screw 5/16-18 x 1 Hex Hd. (Deluxe)	2
10	WL-006-22	Lockwasher 5/16 Light	2
11	SC-011-95	Mach. Screw 5/16-18 x 1 Fil. Hd. (Painted)	2
12	SC-123-34	Mach. Screw 5/16-18 x 1 Slotted Fil. Hd. (Deluxe)	2
13	00-873232-00001	Shim (Deluxe)	AR
14	00-438543-00002	Pedestal (Painted)	1
15	00-438543-00004	Pedestal (Deluxe)	1
16	00-070641-00011	Thumb Screw 8-32 Special (Painted and Deluxe)	2
17	SC-128-73	Mach. Screw 8-32 x 1/4 Tx. Button Hd. (SST) (ML-134091)	2
18	00-078506	Shield – Upper Splash	1
19	PC-003-55	Cotter Pin 1/8 x 3/4	1
20	PS-004-15	Spiral Pin 1/4 Dia. x 1 1/8 Lg.	1
21	00-114430-00002	Arm – Bowl Lift	1
22	WS-009-11	Washer (STL)	AR
23	WS-009-13	Washer (Fiber)	AR
24	00-438528	Lift Handle Assy.	1
25	00-015215	Rod – Bowl Lift	1
26	WS-006-46	Washer	2
27	PC-003-55	Cotter Pin 1/8 x 3/4	1
28	00-012745	Washer – Special	1
29	00-012782	Spring	1
30	WS-006-26	Washer	1
31	NS-036-15	Stop Nut 3/8-24 Hex Special	1
*32	00-479510	Bushing – Bowl Lift	2
33	SC-022-20	Mach. Screw 10-24 x 5/8 Flat Hd. (Painted)	6
34	SC-014-55	Mach. Screw 10-24 x 5/8 Slotted Flat Hd. (Deluxe)	6
35	00-111213-00006	Gib – Bowl Support (Painted)	2
36	00-111213-00005	Gib – Bowl Support (Deluxe)	2
37	00-113016-00001	Shim – Bowl Support (0.003 In. Thk.)	AR
38	00-113016-00004	Shim – Bowl Support (0.009 In. Thk.)	AR
39	00-113016-00005	Shim – Bowl Support (0.015 In. Thk.)	AR
40	00-113016-00006	Shim – Bowl Support (0.005 In. Thk.)	AR
41	00-113016-00007	Shim – Bowl Support (0.0075 In. Thk.)	AR
42	00-121625	Set Screw – Special	1
43	SC-060-56	Mach. Screw 10-32 x 5/16 Rd. Hd. (Painted and Deluxe)	2
44	SC-128-81	Mach. Screw 10-32 x 1/2 Tx. Button Hd. (SST) (ML-134091)	2
45	00-078505	Shield – Lower Splash	1
46	00-478582	Pin – Bowl Locating	2
47	00-084854-00001	Bushing – Bowl Retainer	1
48	00-084853-00003	Bowl Support Assy. (Incls. Item 42) (Painted)	1
49	00-084853-00005	Bowl Support Assy. (Incls. Item 42) (Deluxe)	1
50	00-291444-00001	Clamp – Bowl (LH)	1
51	00-291444-00002	Clamp – Bowl (RH Shown)	1
52	00-291263	Washer – Belleville	6
53	00-274614	Screw – Pivot	2
54	00-087711-252-1	Switch – Reed	1
55	00-875859	Washer – Friction	1
56	00-438079	Splash Cover & Bowl Extension (20 Qt.)	1
57	00-438078	Splash Cover & Bowl Extension (12 Qt.)	1

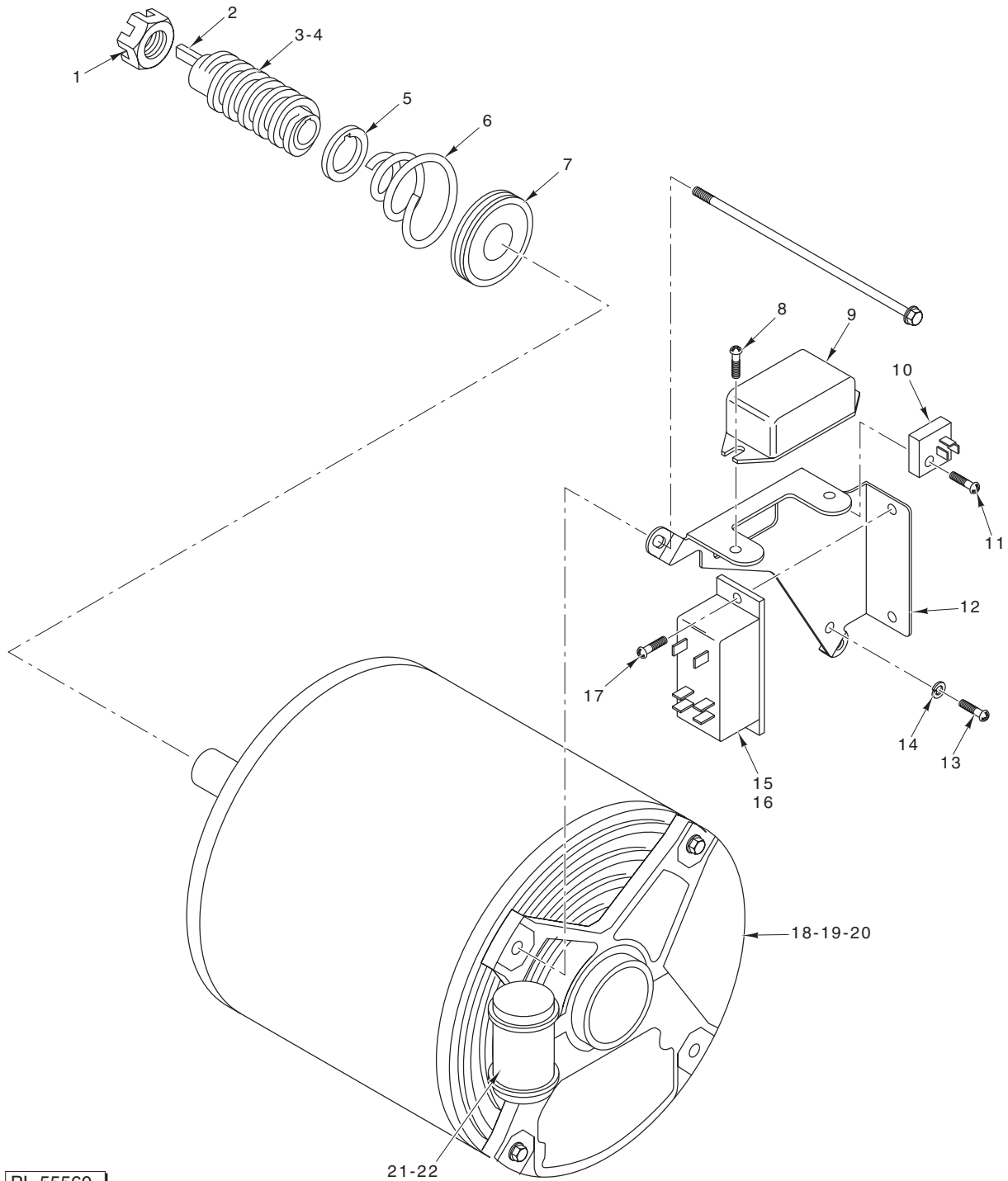
* Used On Starting Serial Number #31-1253-999 On ML-104858 and Serial Number 31-1310-934 On All Other Series A200 Mixers.



TRANSMISSION CASE AND SHIFTER UNIT

TRANSMISSION CASE AND SHIFTER UNIT

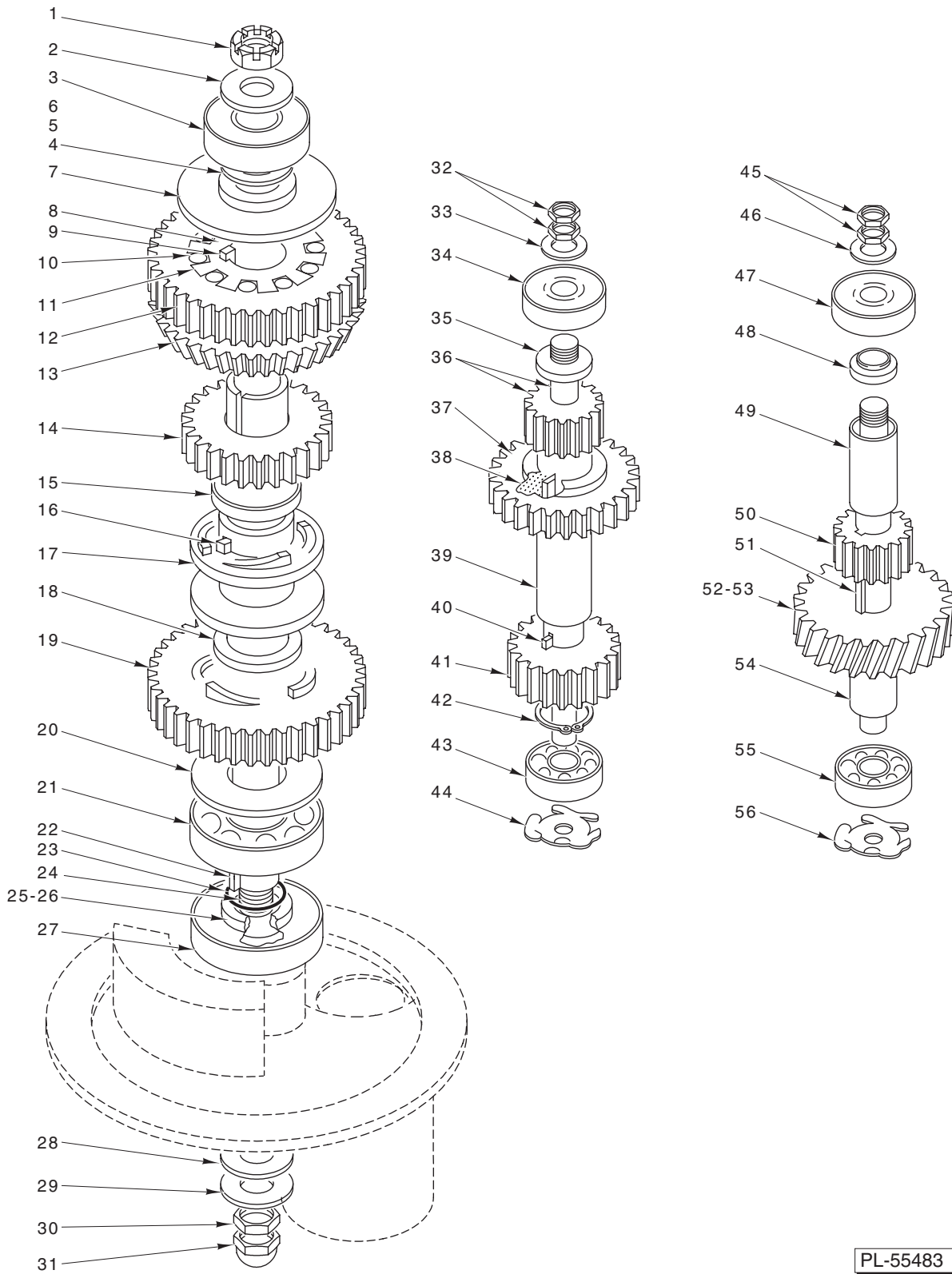
ILLUS.	PART NO.	NAME OF PART	AMT.
	PL-55799		
1	00-018231-00003	Cover – Transmission Case (Painted)	1
2	SC-016-17	Mach. Screw 12-24 x 1 1/4 Oval Hd. (Painted and Deluxe)	2
3	SC-015-57	Mach. Screw 12-24 x 1 1/2 Oval Hd. (Painted and Deluxe) (ML-134091)	1
4	SC-128-82	Mach. Screw 1/4-20 x 3/4 Tx. Flat Hd. (SST) (ML-134091)	1
5	NS-009-36	Mach. Nut 12-24 Hex	1
6	00-875751	Adapter (ML-134091)	1
7	SC-018-01	Mach. Screw 10-24 x 3/8 Pan Hd.	4
8	00-012708	Retainer – Twin Bearing	1
9	00-020394-00001	Cap – Bearing Retainer	1
10	00-875752	Cap – Bearing Retainer (ML-134091)	1
11	00-020395	Retainer – Bearing	1
12	00-011800-00062	Dowel	2
13	00-012735	Rod – Shifter Guide	1
14	00-873802-00005	Cover – Back (Painted)	1
15	00-873802-00006	Cover – Back (Deluxe)	1
16	00-438131-00057	Plate – Warning	1
17	WL-003-28	Lockwasher #12 Light	4
18	SC-127-85	Mach. Screw 12-24 x 2 1/2 Pan Hd. (Painted and Deluxe)	4
19	00-479486	End Cap Screw (ML-134091)	4
20	SC-009-49	Mach. Screw 6-32 x 3/8 Rd. Hd. (Painted and Deluxe)	2
21	SC-128-68	Mach. Screw 6-32 x 3/8 Tx. Button Hd. (SST) (ML-134091)	2
22	00-115231-00002	Cover – Conduit	1
23	00-118363	Logo – Hobart	2
24	FE-022-84	Strain Relief 1/2 NPT	1
25	00-117542-00081	Cord & Plug Assy. (3 Cnd., Under 150 V.)	1
26	00-117542-00082	Cord & Plug Assy. (3 Cnd., 200-250 V.)	1
27	00-117542-00080	Cord Assy. (I.E.C.)	1
28	00-077401	Knob – Shifter Handle	1
29	00-875241	Handle – Shifter (Incls. Item 28)	1
30	00-479471	Handle – Shifter (ML-134091)	1
31	SC-015-34	Mach. Screw 10-24 x 1/2 (Painted and Deluxe)	4
32	SC-128-75	Mach. Screw 10-24 x 5/8 Tx. Flat Hd. (SST) (ML-134091)	4
33	00-290115-00001	Plate – Shifter Index	1
34	00-023946	Gasket – Shifter Index Plate	1
35	PS-003-08	Spiral Pin 1/8 Dia. x 3/4 Lg.	1
36	BA-002-09	Ball 1/4 Dia.	2
37	00-111170	Spring – Detent	2
38	NS-013-22	Nut 3/8-16 Hex	1
39	WL-004-06	Lockwasher 3/8 Medium	1
40	00-013160	Yoke – Shifter	1
41	00-873504	Cam – Gear Shifter	1
42	00-012733	Plunger – Shifter Yoke	2
43	00-012734	Spring – Shifter Yoke	2
44	00-012732	Retainer – Shifter Yoke Spring	2
45	00-875567	Switch Assy. (NVR)	1
46	00-123109	Screw 6-32 x 3/8 Serrated Hd.	2
47	SC-027-28	Mach. Screw 8-32 x 1/4 Rd. Hd. (Ground Screw)	1
48	WL-011-01	Lockwasher #8 Internal Shakeproof (Ground Screw) (1 Ph.)	2
49	NS-010-11	Mach. Nut 8-32 Hex (Ground Screw) (1 Ph.)	1
50	00-873115-00002	Switch Plate & Pin Assy.	1
51	00-873140-00001	Case – Transmission (Incls. Items 12 & 53) (Painted)	1
52	00-873140-00002	Case – Transmission (Incls. Items 12 & 53) (Deluxe)	1
53	00-123674	Label – Warning	1
54	00-011800-00116	Dowel	1
55	WL-003-28	Lockwasher #12 Light	4
56	SC-119-07	Mach. Screw 12-24 x 3/4 Hex Hd.	4
57	00-067750	Transmission Shaft Support & Screw Assy. (Incls. Items 57 & 58)	1
58	NS-009-36	Mach. Nut 12-24 Hex	1
59	SC-008-56	Mach. Screw 12-24 x 1/2 Rd. Hd.	1
60	00-064871	Plug – Friction	2
61	WL-003-28	Lockwasher #12 Light	3
62	SC-008-48	Mach. Screw 12-24 x 1/2 Rd. Hd.	3
63	WL-003-22	Lockwasher #10 Light	4
	00-875249	Shifter Assy. (Incls. Items 29, 33, 35, 36, 37, & 41)	1
	00-479470	Shifter Assy. (ML-134091) (Incls. Items 30, 33, 35, 36, 37, & 41)	



MOTOR PARTS

MOTOR PARTS

ILLUS.	PART NO.	NAME OF PART	AMT.
	PL-55560		
1	NS-032-23	Lock Nut	1
2	00-012430-00004	Key 1/8 x 1/8 x 1/4	1
3	00-291221	Gear – Worm (60 Cycle)	1
4	00-070407	Gear – Worm (50 Cycle)	1
5	00-012754	Washer	1
6	00-012757	Spring – Shock Absorber	1
7	00-873057	Deflector – Grease	1
8	SD-015-38	Self-Tapping Screw 6-32 x 3/8 Phil. Pan Hd., Type TT	2
9	00-271612-00002	Switch – Electronic Start (50/60 Hz.)	1
10	00-873203-00002	Block – Terminal	1
11	SD-015-38	Self-Tapping Screw 6-32 x 3/8 Phil. Pan Hd., Type TT	1
12	00-873125	Bracket – Component Mounting	1
13	SD-015-39	Self-Tapping Screw 8-32 x 1/4 Phil. Pan Hd., Type TT	2
14	WL-008-07	Lockwasher #8 Internal Shakeproof	2
15	00-087714-042-1	Relay (2 Pole) (115 V.)	1
16	00-087714-042-3	Relay (2 Pole) (240 V.)	1
17	SD-015-38	Self-Tapping Screw 6-32 x 3/8 Phil. Pan Hd., Type TT	2
18	00-873061-00001	Motor Assy. (115 V., 60 Hz., 1 Ph.)	1
19	00-873061-00002	Motor Assy. (220 V., 60 Hz., 1 Ph.)	1
20	00-873061-00003	Motor Assy. (115 V., 50 Hz., 1 Ph.)	1
21	00-113703	Cable Tie	2
22	00-070487-00025	Capacitor – Motor Start	1

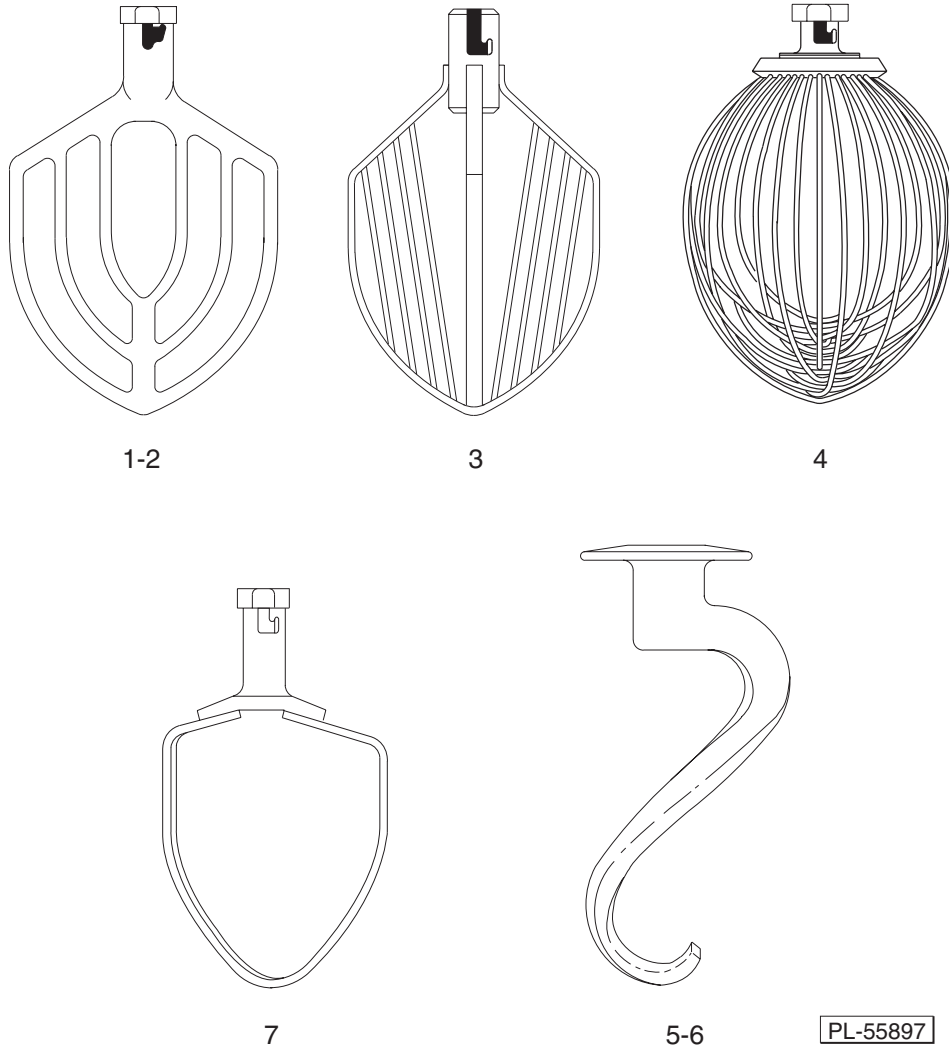


PL-55483

TRANSMISSION GEAR UNIT

TRANSMISSION GEAR UNIT

ILLUS.	PART NO.	NAME OF PART	AMT.
	PL-55483		
1	NS-032-29	Stop Nut 1/2-20 Flexloc	1
2	WS-008-13	Washer – Retaining	1
3	BB-020-18	Ball Bearing	1
4	WS-010-18	Washer – Bearing Shim (0.002 In. Thk.)	AR
5	WS-010-19	Washer – Bearing Shim (0.003 In. Thk.)	AR
6	WS-010-20	Washer – Bearing Shim (0.010 In. Thk.)	AR
7	00-107145	Spacer – Planetary Shaft	1
8	00-124730	Sleeve – Roller Clutch Drive	1
9	00-109070-00002	Key	1
10	00-124729	Clutch – Roller	10
11	00-124732	Spring – Roller	10
12	00-124752	Gear – Slow Speed (46T)	1
13	00-124733-00002	Gear – Bevel (46T)	1
14	00-124744	Gear – Clutch (29T)	1
15	00-012695	Bearing – Clutch Gear	1
16	00-012430-00059	Key – Clutch Sleeve	2
17	00-070035-00001	Sleeve – Clutch	1
18	00-012695	Bearing – Clutch Gear	1
19	00-124743	Gear – Lower Clutch (38T)	1
20	00-012723	Spacer – Lower	1
21	BB-020-06	Ball Bearing	1
22	00-012430-00017	Key	1
23	00-067500-00075	O-Ring	1
24	00-124734	Shaft – Planetary	1
25	00-437342	Spacer – Bearing (O-Ring)	1
26	00-067500-00078	O-Ring	1
27	00-114695	Seal – Oil	1
28	00-124946	Washer – Fiber	1
29	WS-030-83	Washer – Retaining (STL)	1
30	00-010928-00002	Nut – Special	1
31	00-024715-00003	Acorn Nut 1/2-20	1
32	00-012710	Nut – Retaining	2
33	WS-006-36	Washer – Retaining	1
34	BB-005-02	Ball Bearing	1
35	00-012744	Spacer – Upper	1
36	00-291236	Shaft – Transmission (15T)	1
37	00-124736	Gear (32T)	1
38	00-435297	Key	1
39	00-012697	Spacer – Lower	1
40	00-435297	Key	1
41	00-124760	Gear (23T)	1
42	RR-004-19	Retaining Ring	1
43	BB-005-01	Ball Bearing	1
44	SL-002-08	Spring – Loading	1
45	00-012710	Nut – Retaining	2
46	WS-006-36	Washer – Retaining	1
47	BB-005-02	Ball Bearing	1
48	00-124745	Washer	1
49	00-124765-00001	Spacer – Gear	1
50	00-124748	Gear (15T)	1
51	00-012430-00004	Key	1
52	00-124751-00003	Worm Wheel & Bushing Assy. (60 Hz.)	1
53	00-124749-00002	Worm Wheel & Bushing Assy. (50 Hz.)	1
54	00-291128	Shaft – Worm Wheel	1
55	BB-005-01	Ball Bearing	1
56	SL-002-08	Spring – Loading	1
	00-292799-00002	Center Shaft Assy. (Incls. Items 7, 8, 9, 12 thru 20, & 24)	1
	00-292800	Transmission Shaft Assy. (Incls. Items 35 thru 42)	1
	00-292798-00001	Worm Wheel Shaft Assy. (60 Hz.) (Incls. Items 48 thru 52 & 54)	1
	00-292798-00002	Worm Wheel Shaft Assy. (50 Hz.) (Incls. Items 48 thru 51, 53, & 54)	1



AGITATORS

ILLUS.	PART NO.	NAME OF PART	AMT.
PL-55897			
1	00-275459	"B" Flat Beater (Packaged)	1
2	00-275559	"B" Flat Beater (SST) (Packaged)	1
3	00-295165	"C" Wing Whip (Packaged)	1
4	00-275897	"D" Wire Whip (SST) (Packaged)	1
5	00-477521	"ED" Dough Arm (Packaged)	1
6	00-295119	"E" Dough Arm (Packaged)	1
7	00-295036	"P" Pastry Knife (Packaged)	1

Online Parts Catalog

Note: It is helpful, but not essential to know the ML (Material List) Number of the equipment for which a part is needed

How Do I Find An ML Number?

The ML Number is found on the machine dataplate. The dataplate resembles the sample below, and is generally located on the back or side of a machine.

HOBART CORPORATION COMMERCIAL DISHWASHER TROY, OHIO		MODEL	ML	
LISTED 756A C UL US NSF		SERIAL NO.		
		VOLTS	DATE CODE:	
		HZ	PH	AMP
		749901 MADE IN U.S.A.		

Section 1 – If Equipment ML Number is known
Section 2 – If Equipment ML Number is not known



PRODUCT DIRECTORY | [Locate an Office](#) | [Warranty Registration](#) | [Career Opportunities](#)

SERVICE | **PARTS** | INSTALLATIONS | WATER TREATMENT | MANUALS & SUPPORT | CONTRACTS & PMs



Hobart Service

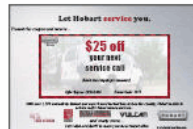
We're there for you, anytime you need us. 24x7.



We're within 50 miles of 95% of our service customers. Only Hobart can provide such blanket coverage because we're the premier equipment manufacturer with nearly 200 offices and 1,700

Hobart Service News & Offers

Get \$25 Off Your Next Service Call!



From hobartservice.com
select
PARTS



PRODUCT DIRECTORY | [Locate an Office](#) | [Warranty Registration](#) | [Career Opportunities](#)

SERVICE | **PARTS** | INSTALLATIONS | WATER TREATMENT | MANUALS & SUPPORT | CONTRACTS & PMs



[Hobart Service Home](#) > **Hobart National Parts and Accessories Program**

National Parts and Accessories Program

Hobart SmartParts® System

The [Hobart SmartParts® System](#) is an interactive parts catalog system. By entering information from your equipment's data plate, you can be assured that you are accessing the



Not Sure How to Use SmartParts™?

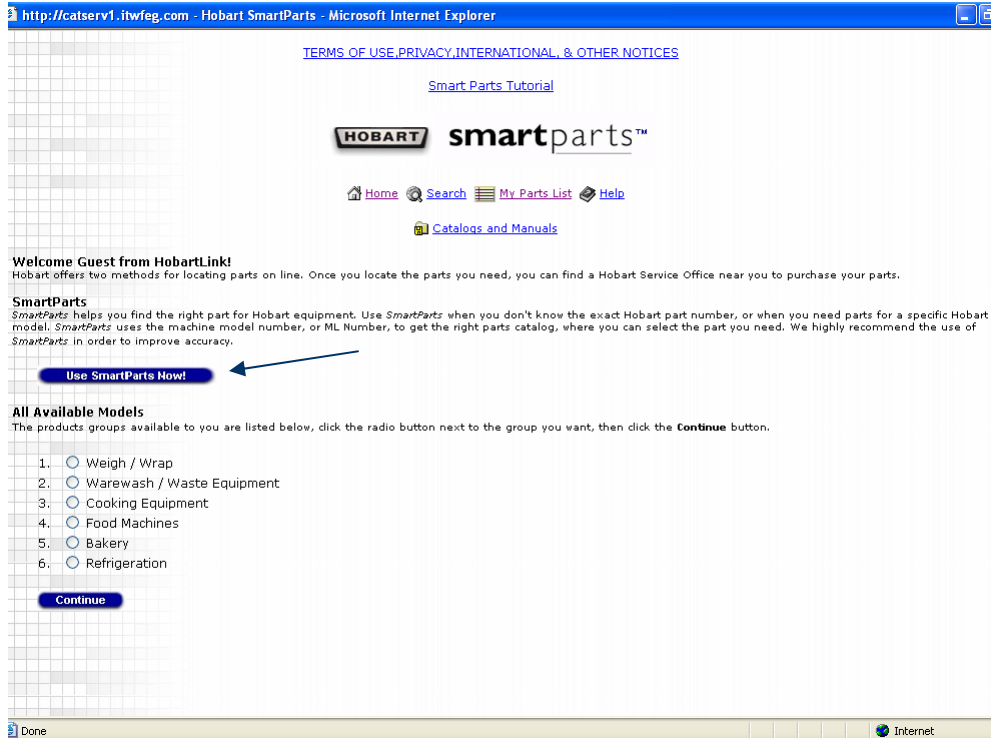
It's easy! Just go through the [Hobart SmartParts™ Online Tutorial](#) and you'll be a parts pro in no time!

Hobart Parts QuickLinks

- ▶ [Hobart SmartParts® System](#)
- ▶ [Parts Catalogs](#)

Next
select
SMARTPARTS

Web Browser Pop-up blocker must be turned off for this site in order for SmartParts to operate



This is SmartParts home page

If the ML Number of the Equipment is known, select Use SmartParts Now

(We'll explain what to do if the ML number of the Equipment is not known in Section 2)

Section 1 – If Equipment ML Number is known

SmartParts

Enter Your ML Number

Enter your full or partial ML Number in the field provided, then click the **Search SmartParts!** button.

ML-

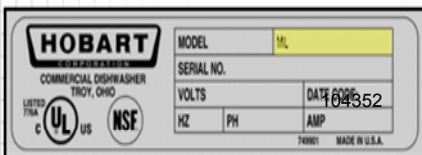
Enter the ML number and click on Search SmartParts

How Do I Find An ML Number?

The ML Number is found on the machine dataplate. The dataplate resembles the sample below, and is generally located on the back or side of a machine.

For this example, the part needed is a Water Pressure Gauge used on the LX 30 Undercounter Dishwasher

The ML number of this dishwasher is 104352



Hobart Parts Web

SmartParts

SmartParts results for **104352** (listed by product group):

Warewash / Waste Equipment

- LX Series Dishwashers (Includes ML numbers 104349, 104350, 104351, 104352, 130016, 130017, 130018, 130019)

Continue

Go Back

Click on the Radio button to select the Parts Catalog

Then click on Continue

Assemblies Available

LX Series Dishwashers (Includes ML numbers 104349, 104350, 104351, 104352, 104353, 104354, 104355, 104356, 110380, 110381, 130016, 130017, 130018, 130019)

Click the radio button next to the assembly you want, then click the **Continue** button.

Continue

Go Back

- BASE ASSEMBLY
- TANK ASSEMBLY
- DOOR ASSEMBLY
- ELECTRICAL CONTROL DRAWER (LX SERIES)
- ELECTRICAL CONTROL DRAWER (LXi SERIES)
- DISPLAY
- WASH ARM ASSEMBLY (LX18 SERIES)
- WASH ARM ASSEMBLY (LX30/40, LXG, LXi, & LXiG SERIES)
- WASH PIPE ASSEMBLY
- 50 HZ., 60 HZ. PUMP AND MOTOR ASSEMBLY (INGERSOLL OR CRANE)

The Water Pressure Gauge is on the Base Assembly

Select Base Assembly

Then click on Continue

Parts List

BASE ASSEMBLY

Select an appropriate figure size

Change To:

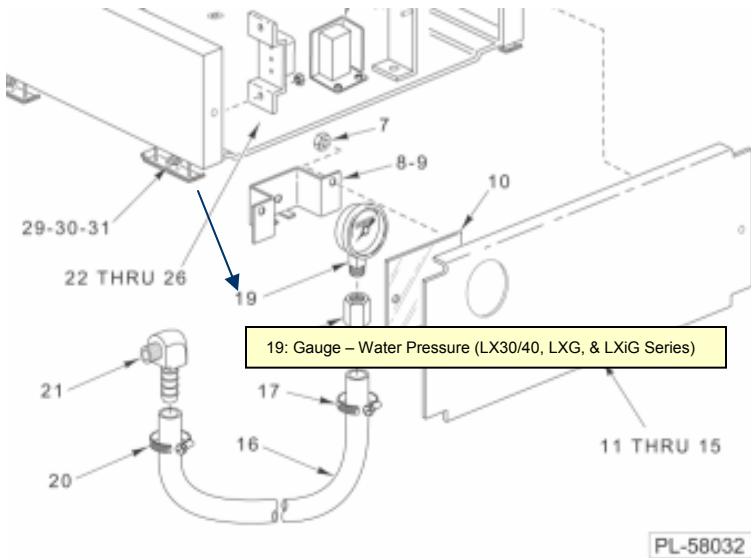
Different Assembly

Different Product

To add an item to your parts list, click the **Add** button next to the item. To see an exploded view, click on the view figure buttons.

View Figure: @ 25% @ 50% @ 75% @ 100% ←

Add	Item	Part No.	Part Description	Qty Used On Assembly
Add	1	00-328634	Track Assy. (RH)	1
Add	2	NS-015-01	Nut 1/4-20 Hex (SST)	8
Add	3	WL-006-17	Lockwasher 1/4 Medium	8



BASE ASSEMBLY

Locate the part needed (Water Pressure Gauge) on the drawing

Placing the cursor on the number will display the Description of the Part

Click on the number pointing to the part

Add	15	00-329267	Retainer - Screw #10	AR
Add	16	00-475060	Hose 1/4 x 12 Pressure Gauge to Fill Valve	1
Add	17	00-528501	Clamp - Hose #4	1
Add	18	FP-088-30	Fitting - Hose Barb (LX30/40, LXG, & LXi Series)	1
Add	19	00-918429	Gauge - Water Pressure (LX30/40, LXG, LXi, & LXiG Series)	1
Add	20	00-528501	Clamp - Hose #4	1
Add	21	FP-088-29	Fitting - Hose 1/4 Barb x 1/8-27 NPTM	1
Add	22	SC-018-24	Mach. Screw 6-32 x 3/4 Phil. Pan Hd.	2
Add	23	00-918385	Block - Terminal (5 Pole) (Current Construction)	1
Add	24	00-918339	Bracket - Terminal Block (Current Construction)	1
Add	25	NS-031-50	Stop Nut 6-32 Hex (SST)	2
Add	26	NS-031-16	Stop Nut 10-24 Hex Elastic (SST)	2
Add	27	00-475299-00001	Connector Assy. (Previous Construction)	1
Add	28	00-473138	Bracket - Terminal Block (Previous Construction)	1
Add	29	00-241857	Foot - Leveling	4
Add	30	00-329284	Spacer - Leveling Foot (LX18 Series)	4

- *Selecting the part on the figure causes the part to be highlighted on the parts list*
- *Click on the Add button to add the part to the shopping cart*
- *You can add more parts or change the quantity of the parts already in the cart*
- *When finished, click on the Confirm Parts Selected and then on Print Parts List if you want to print*

Parts Selected

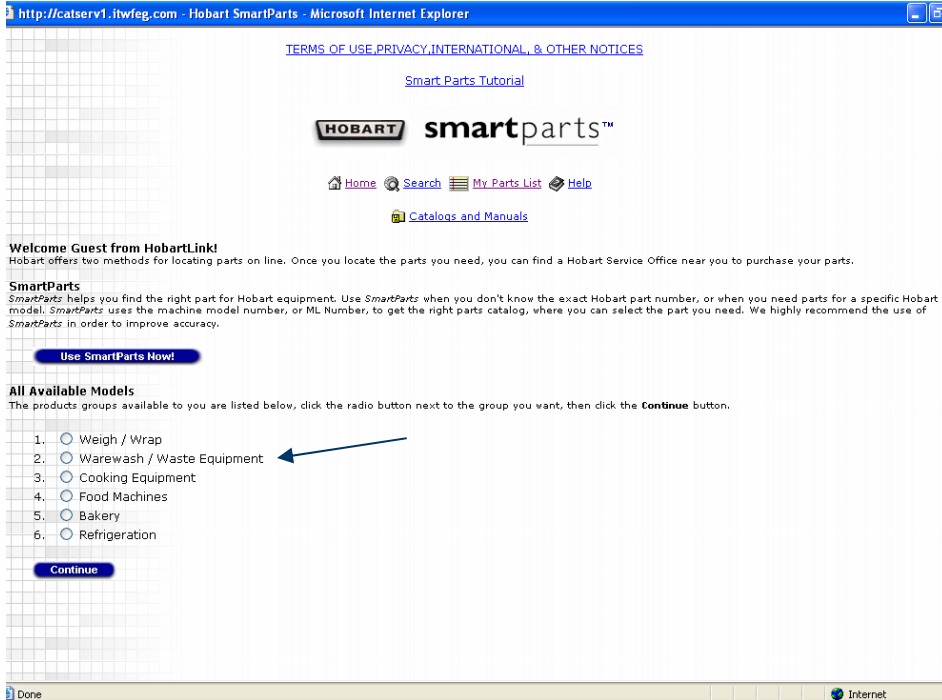
Items Listed for Guest

Add More Items From:

There is 1 item in your parts list:

Delete	Qty. Req.	Part No.	Part Description	Parts List
<input type="button" value="Delete"/>	<input type="text" value="1"/>	00-918429	Gauge - Water Pressure (LX30/40, LXG, LXi, & LXiG Series)	BASE ASSEMBLY

Use SMARTPARTS Now



This (again) is SmartParts home page

For this example, the part needed is a Water Pressure Gauge used on the LX 30 Undercounter Dishwasher

If the ML Number of the Equipment is not known, click on the Radio button to select Warewash / Waste Equipment

Then click on Continue

(Go to Section 1 if you do know the ML number of the Equipment)

Products Available

Warewash / Waste Equipment

Click the radio button next to the product you want, then click the **Continue** button.

Continue

Go Back

1. Door Type Dishwasher
2. Booster
3. Conveyor Type Dishwasher (C-LINE)
4. Flight Type Dishwasher
5. Miscellaneous Warewash
6. UnderCounter Dishwasher (indicated by a blue arrow)
7. Waste Equipment

Continue

Go Back

Click on the Radio button to select UnderCounter Dishwasher

Then click on Continue

Parts Catalogs

UnderCounter Dishwasher

Click the radio button next to the catalog you want, then click the **Continue** button.

Continue **Go Back**

- LX Series Dishwashers (Includes ML numbers 104349, 104350, 104351, 104352, 104353, 104354, 104355, 104356, 110380, 110381, 130016, 130017, 130018, 130019)
- WM Series Dishwashers
- Dishwasher Motor Book (Includes the following Motor Spec /ML numbers - 9257, 6661, 8115, 17829, 18897, 18751, 18931, 18930, 18932, 31219, 31220, 31221, 18491, 17350, 9801, 18603)
- SR24 Series Dishwasher (SR24C - ML-130021, SR24H - ML-130022)
- Fast Food Warewashers

Continue **Go Back**

Click on the Radio button to select LX Series Dishwashers

Then click on Continue

Assemblies Available

LX Series Dishwashers (Includes ML numbers 104349, 104350, 104351, 104352, 104353, 104354, 104355, 104356, 110380, 110381, 130016, 130017, 130018, 130019)

Click the radio button next to the assembly you want, then click the **Continue** button.

Continue **Go Back**

- BASE ASSEMBLY
- TANK ASSEMBLY
- DOOR ASSEMBLY
- ELECTRICAL COMPONENTS(LX SERIES)
- ELECTRICAL COMPONENTS (LXi SERIES)
- DISPLAY
- WASH AND RINSE ARM ASSEMBLY(lx30/40, lxx, lxi, & lxig SERIES)(PREV. CONSTR.)
- WASH AND RINSE ARM ASSEMBLY(lx30/40, lxx, lxi, & lxig SERIES)(CURRENT CONSTR.)
- WASH ARM ASSEMBLY(LX18 SERIES)
- WASH PIPE ASSEMBLY (PREVIOUS CONSTRUCTION)
- WASH PIPE ASSEMBLY (CURRENT CONSTRUCTION)

The Water Pressure Gauge is on the Base Assembly

Select Base Assembly

Then click on Continue

Parts List

BASE ASSEMBLY

Select an appropriate figure size

Change To:

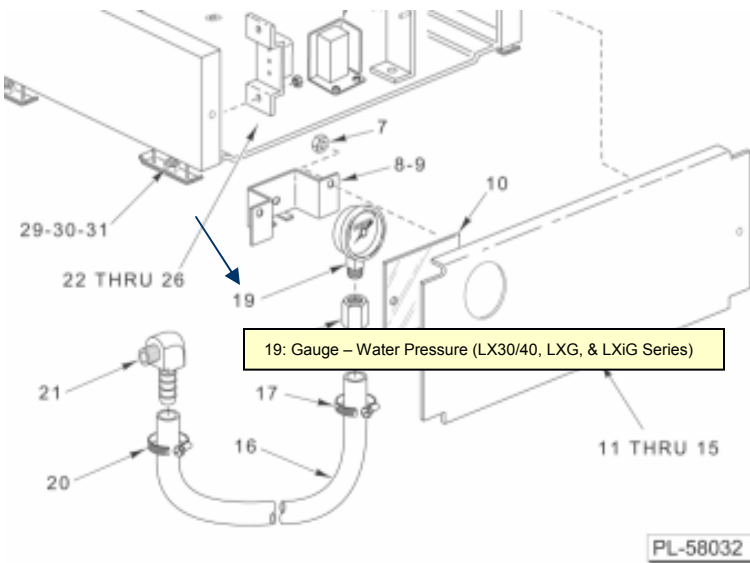
Different Assembly

Different Product

To add an item to your parts list, click the **Add** button next to the item. To see an exploded view, click on the view figure buttons.

View Figure: @ 25% @ 50% @ 75% @ 100% ←

Add	Item	Part No.	Part Description	Qty Used On Assembly
Add	1	00-328634	Track Assy. (RH)	1
Add	2	NS-015-01	Nut 1/4-20 Hex (SST)	8
Add	3	WL-006-17	Lockwasher 1/4 Medium	8



Locate the part needed (Water Pressure Gauge) on the drawing

Placing the cursor on the number will display the Description of the Part

Click on the number pointing to the part

BASE ASSEMBLY

Add	15	00-329267	Retainer - Screw #10	AR
Add	16	00-475060	Hose 1/4 x 12 Pressure Gauge to Fill Valve	1
Add	17	00-528501	Clamp - Hose #4	1
Add	18	FP-088-30	Fitting - Hose Barb (LX30/40, LXG, & LXI Series)	1
Add	19	00-918429	Gauge - Water Pressure (LX30/40, LXG, LXI, & LXIG Series)	1
Add	20	00-528501	Clamp - Hose #4	1
Add	21	FP-088-29	Fitting - Hose 1/4 Barb x 1/8-27 NPTM	1
Add	22	SC-018-24	Mach. Screw 6-32 x 3/4 Phil. Pan Hd.	2
Add	23	00-918385	Block - Terminal (5 Pole) (Current Construction)	1
Add	24	00-918339	Bracket - Terminal Block (Current Construction)	1
Add	25	NS-031-50	Stop Nut 6-32 Hex (SST)	2
Add	26	NS-031-16	Stop Nut 10-24 Hex Elastic (SST)	2
Add	27	00-475299-00001	Connector Assy. (Previous Construction)	1
Add	28	00-473138	Bracket - Terminal Block (Previous Construction)	1
Add	29	00-241857	Foot - Leveling	4
Add	30	00-329284	Spacer - Leveling Foot (LX18 Series)	4

- *Selecting the part on the figure causes the part to be highlighted on the parts list*
- *Click on the Add button to add the part to the shopping cart*
- *You can add more parts or change the quantity of the parts already in the cart*
- *When finished, click on the Confirm Parts Selected and then on Print Parts List if you want to print*

Parts Selected

Items Listed for Guest

Add More Items From:

Current Assembly

Different Assembly

Different Product

There is 1 item in your parts list:

Delete	Qty. Req.	Part No.	Part Description	Parts List
Delete	<input type="text" value="1"/>	00-918429	Gauge - Water Pressure (LX30/40, LXG, LXI, & LXIG Series)	BASE ASSEMBLY

Update Quantities

Confirm Parts Selected

Use **SMARTPARTS** Now



PRODUCT SERVICE DEPARTMENT

TROY, OH. 45374-0001

RECOMMENDED SPARE PARTS LIST

A200 MIXER ML-104568

Qty.	Part Number	Description
1	291221	Worm
1	124751-3	Worm Wheel and Bushing Assembly
1	124734	Planetary Shaft
1	120388	Switch, Timed
1	70487-18	Capacitor
1	271612-2	Electronic Start Switch
1	87714-42-1	Relay 120V
1	87711-248	Bowl Height Switch
1	438527-1	Front Shoe
1	438527-3	Adjustable Shoe
1	438539	Cage Bumper
1	438525	Magnet Retainer
1	438527-2	Fixed Shoe
1	113936	Beater Shaft