



AM15 DISHWASHER TECHNICAL MANUAL 208-240V/60/3

SPECIFICATION SHEET

INSTALLATION INSTRUCTIONS

OPERATION INSTRUCTIONS

CLEANING INSTRUCTIONS

MAINTENANCE INSTRUCTIONS

TROUBLE SHOOTING INSTRUCTIONS

WIRING DIAGRAMS

CATALOG OF REPLACEMENT PARTS

SMARTPARTS™ USER GUIDE

RECOMMENDED SPARE PARTS LIST

Need other Hobart Services?



- [Warranty Registration](#)
- [Delivery and Installation](#)
- [Preventive Maintenance](#)
- [Hobart Service Contracts](#)
- [Extended Warranty Contracts](#)
- [Parts and Accessories](#)
- [Specialty Programs](#)
- [Water Treatment Programs](#)



HOBART701 S Ridge Avenue, Troy, OH 45374
1-888-4HOBART • www.hobartcorp.com**AM SELECT
DISHWASHER****HOBART****STANDARD FEATURES**

- .74 gallons per rack final rinse water
- 58 racks per hour – hot water sanitizing
- 65 racks per hour – chemical sanitizing
- NSF pot and pan listed for 2-, 4- & 6- minute cycles
- Timed wash cycles for 1, 2, 4 or 6 minutes
- Solid state, integrated controls with digital status indicators
- Self-draining, high efficiency stainless steel pump and stainless steel impeller
- Stainless steel drawn tank, tank shelf, chamber, trim panels, frame and feet
- Spring counterbalanced chamber with polyethylene guides
- Revolving, interchangeable upper and lower anti-clogging wash arms
- Revolving, interchangeable upper and lower rinse arms
- Slanted, self-locating, one-piece scrap screen and basket system
- Automatic fill
- Door actuated start
- Automatic drain closure
- Vent fan control
- External booster activation
- Delime cycle
- Service diagnostics
- NAFEM Data Protocol capable
- Straight-through or corner installation
- Hot water or chemical sanitation

VOLTAGE

- 208-240/60/1
- 208-240/60/3
- 480/60/3
- 200-240/50/3*
- 380-415/50/3*

*Not submitted for UL/CUL Listing

MODEL

- AM15

OPTIONS AT EXTRA COST

- Gas heat
- Sense-A-Temp™ 70°F rise electric booster heater
- Single point electrical connection for booster equipped machines (3 phase only)

ACCESSORIES

- ¾" pressure regulator valve
- Peg rack
- Combination rack
- Splash shield for corner installations
- Flanged and seismic feet
- End of cycle audible alarm (field activated)
- Delime notification (field activated)
- Drain water tempering kit

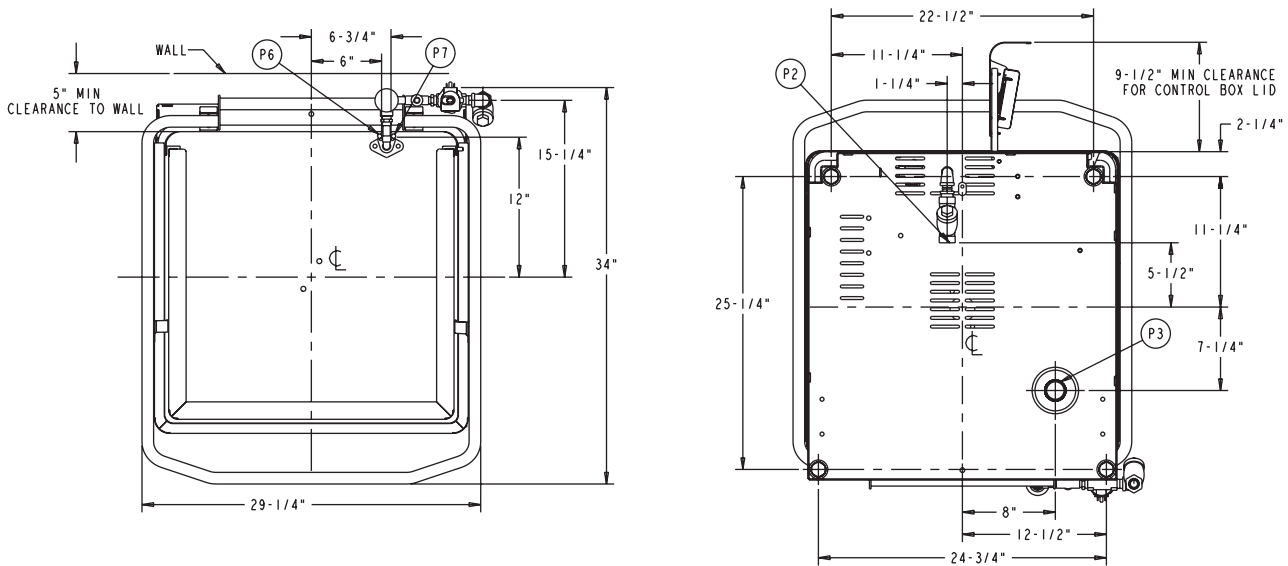
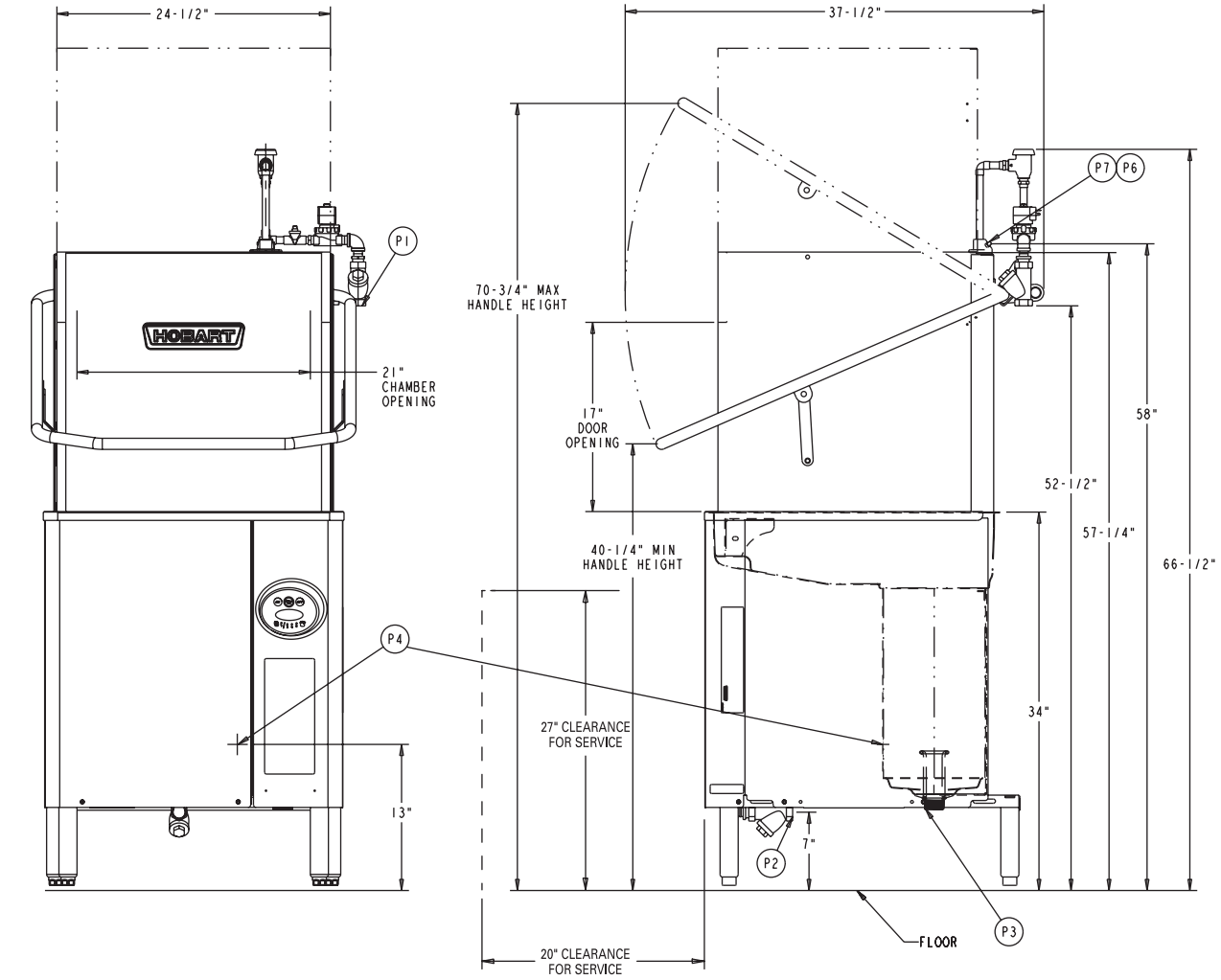
Specifications, Details and Dimensions on Inside and Back.

**AM SELECT DISHWASHER**

AM SELECT DISHWASHER – ELECTRIC



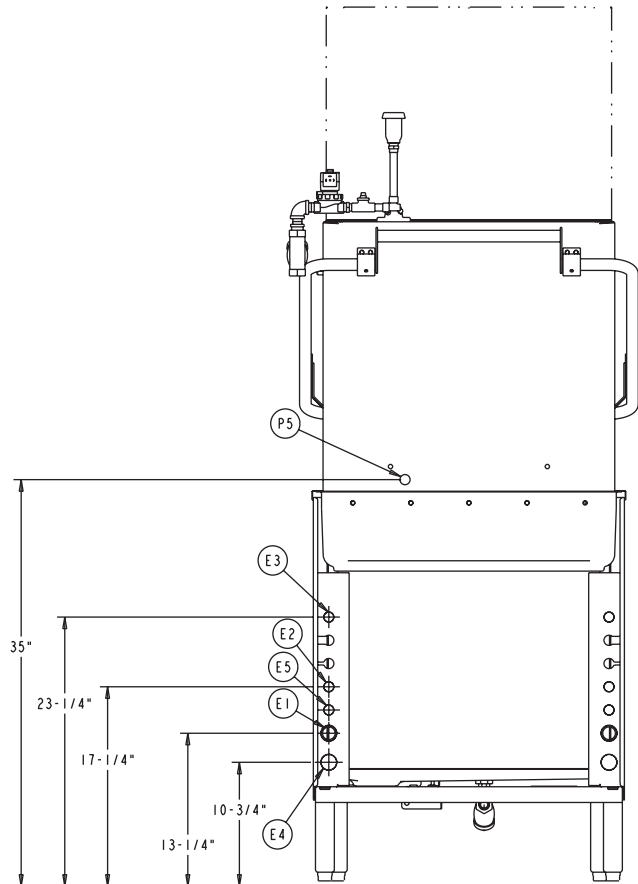
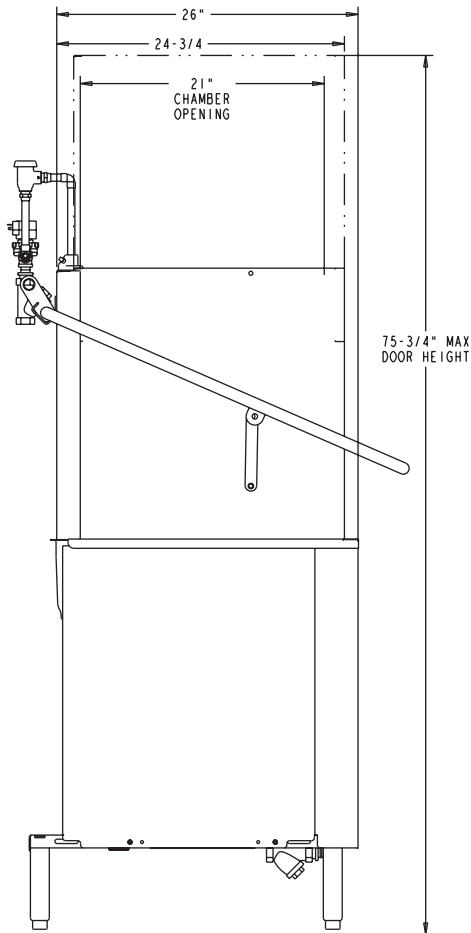
701 S Ridge Avenue, Troy, OH 45374
1-888-4HOBART • www.hobartcorp.com





701 S Ridge Avenue, Troy, OH 45374
1-888-4HOBART • www.hobartcorp.com

AM SELECT DISHWASHER – ELECTRIC



WARNING

ELECTRICAL AND GROUNDING CONNECTIONS MUST COMPLY WITH THE APPLICABLE PORTIONS OF THE NATIONAL ELECTRICAL CODE AND/OR OTHER LOCAL ELECTRICAL CODES.

PLUMBING CONNECTIONS MUST COMPLY WITH APPLICABLE SANITARY, SAFETY, AND PLUMBING CODES.

AM-15 WITH ELECTRIC HEAT			
ELEC. SPECS.	RATED AMPS	MINIMUM SUPPLY CIRCUIT CONDUCTOR AMPACITY	MAXIMUM OVERCURRENT PROTECTIVE DEVICE
208-240/60/1	43.0	50	50
208-240/60/3	24.6	30	30
480/60/3	11.6	15	15
*200-240/50/3	25.2	35	35
*380-415/50/3	12.5	15	15

BOOSTER AMPACITY RATINGS 8.5KW (NOT AVAILABLE WITH GAS HEAT)			
ELEC. SPECS.	RATED AMPS	MINIMUM SUPPLY CIRCUIT CONDUCTOR AMPACITY	MAXIMUM OVERCURRENT PROTECTIVE DEVICE
208-240/60/1	35.4	50	50
208-240/60/3	20.4	30	30
480/60/3	10.2	15	15
*200-240/50/3	20.4	30	30
*380-415/50/3	11.8	15	15

MACHINE ELECTRICAL SPECIFICATIONS

- 208-240/60/1
- 208-240/60/3
- 480/60/3
- * 200-240/50/3
- * 380-415/50/3
- * THESE ELECTRICAL SPECIFICATIONS ARE NOT SUBMITTED FOR UL OR CUL LISTING

BOOSTER ELECTRICAL SPECIFICATIONS

- 208-240/60/1
- 208-240/60/3
- 480/60/3
- * 200-240/50/3
- * 380-415/50/3
- * THESE ELECTRICAL SPECIFICATIONS ARE NOT SUBMITTED FOR UL OR CUL LISTING

CONNECTION INFORMATION (*AFF - ABOVE FINISHED FLOOR)

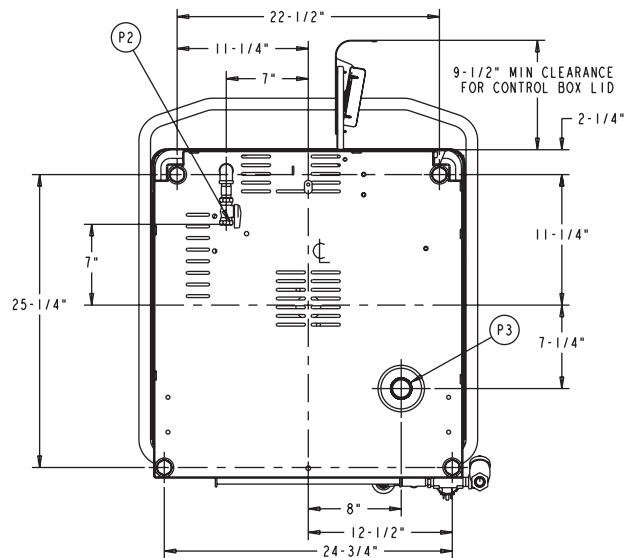
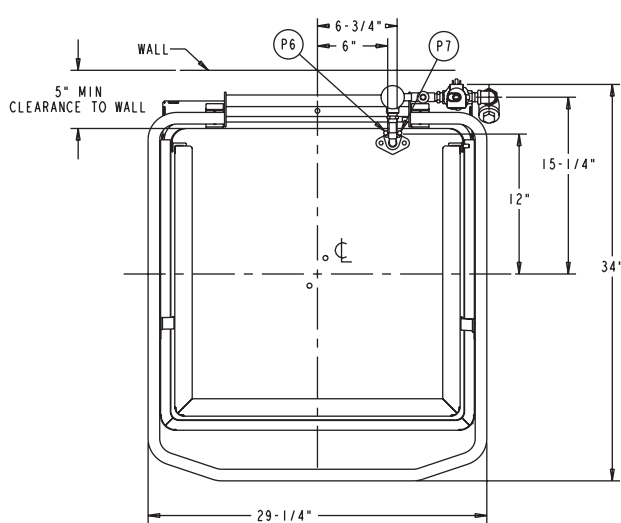
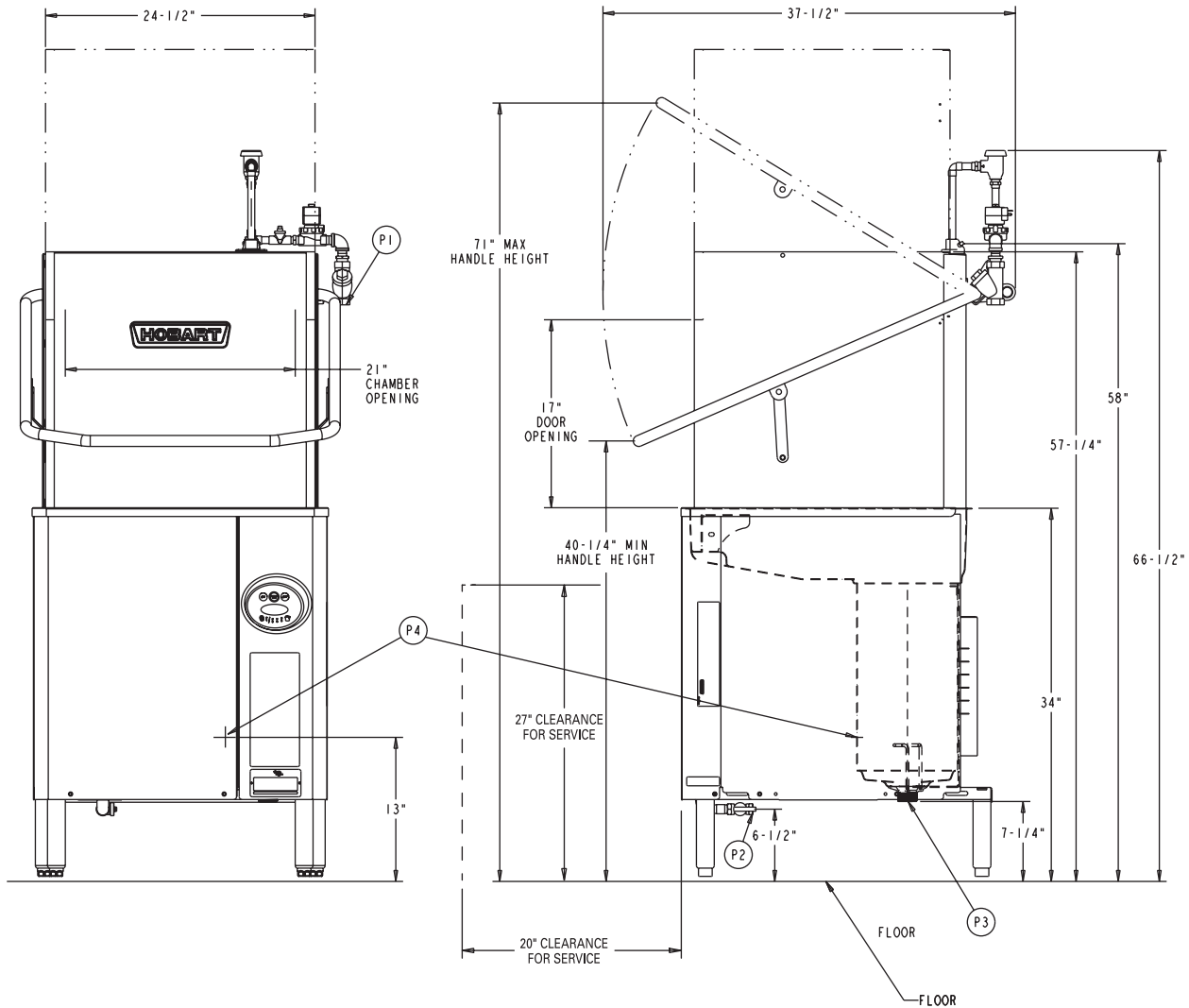
LEGEND (see page 6 for further details)

- E1 ELECTRICAL CONNECTION: MOTORS & CONTROLS (INCLUDING ELECTRIC HEAT). 1" OR 3/4" CONDUIT HOLE.
- E2 ELECTRICAL CONNECTION: VENT FAN CONTROL, 1/2" CONDUIT HOLE. (VFC1 & VFC2) 1.5 AMPS @ NAMEPLATE SUPPLY VOLTAGE, "ON"
- E3 ELECTRICAL CONNECTION: RINSE AGENT & SANITIZER FEEDERS, 1/2" CONDUIT HOLE. (DPS1 & DPS2) 1.5 AMPS @ NAMEPLATE SUPPLY VOLTAGE, (RPS1 & RPS2) 1.5 AMPS @ NAMEPLATE SUPPLY VOLTAGE
- E4 ELECTRICAL CONNECTION: ELECTRIC BOOSTER, (NOT AVAILABLE WITH GAS HEAT MACHINE) 1" CONDUIT HOLE.
- E5 ELECTRICAL CONNECTION: EXTERNAL BOOSTER CONTROL, 1/2" CONDUIT HOLE. (BSTR1 & BSTR2) 0.1 AMPS @ 120 VAC
- P1 COMMON WATER CONNECTION: (W/O ELECTRIC BOOSTER) (180°F COMMON WATER CONNECTION: (W/O ELECTRIC BOOSTER) (120°F WATER MIN. CHEMICAL SANITIZING) 3/4" FPT.
- P2 COMMON WATER CONNECTION: (W/ELECTRIC BOOSTER) (110°F WATER MIN. HOT WATER SANITIZING); 3/4" FPT.
- P3 DRAIN: 1-1/2" MPT.
- P4 DETERGENT PROBE SENSOR: REMOVE CAP AND STUD ASSEMBLY TO ACCESS 7/8" HOLE.
- P5 DETERGENT FEEDER: REMOVE CAP PLUG TO ACCESS 7/8" HOLE.
- P6 RINSE AGENT FEEDER: 1/8" NPT, REMOVE 1/8" NPT PIPE PLUG TO ACCESS TAPPED HOLE.
- P7 SANITIZER FEEDER: (LOW TEMP MODE) 1/8" NPT, REMOVE 1/8" NPT PIPE PLUG TO ACCESS TAPPED HOLE.

AM SELECT DISHWASHER – GAS



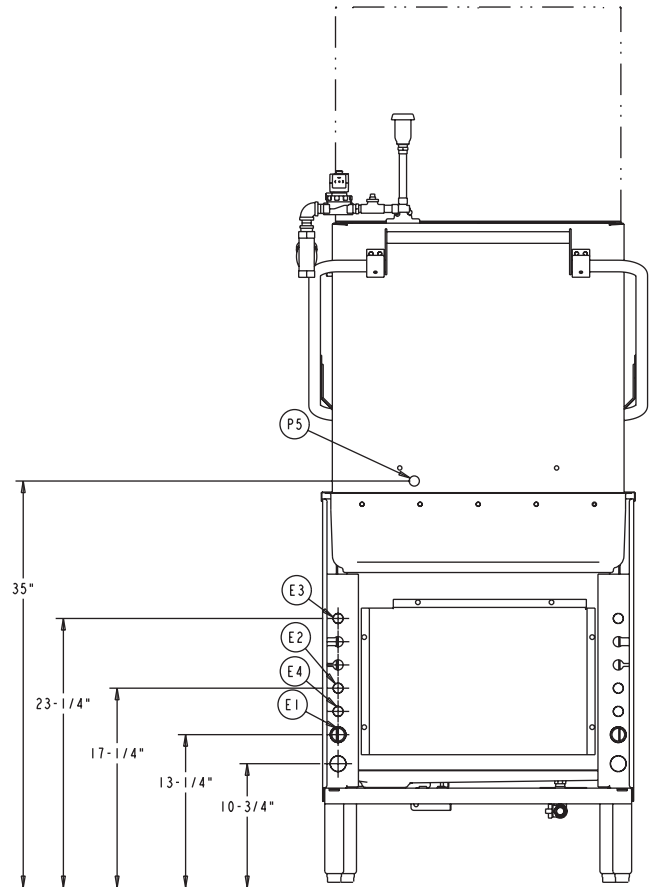
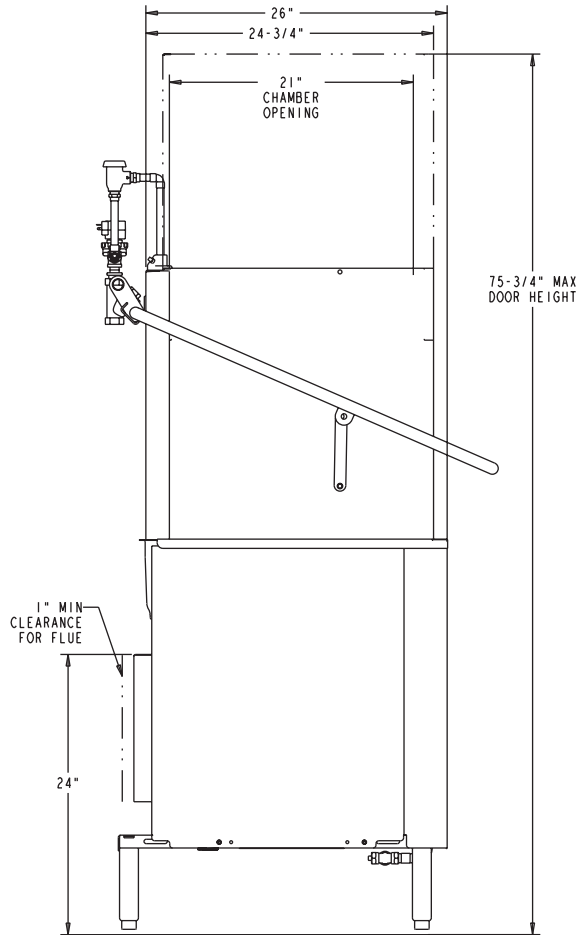
701 S Ridge Avenue, Troy, OH 45374
1-888-4HOBART • www.hobartcorp.com





701 S Ridge Avenue, Troy, OH 45374
1-888-4HOBART • www.hobartcorp.com

AM SELECT DISHWASHER – GAS



WARNING

ELECTRICAL AND GROUNDING CONNECTIONS MUST COMPLY WITH THE APPLICABLE PORTIONS OF THE NATIONAL ELECTRICAL CODE AND/OR OTHER LOCAL ELECTRICAL CODES.

PLUMBING CONNECTIONS MUST COMPLY WITH APPLICABLE SANITARY, SAFETY, AND PLUMBING CODES.

AM-15 WITH GAS HEAT			
ELEC. SPECS.	RATED AMPS	MINIMUM SUPPLY CIRCUIT CONDUCTOR AMPACITY	MAXIMUM OVERCURRENT PROTECTIVE DEVICE
208-240/60/1	15.5	20	20
208-240/60/3	10.0	15	15
480/60/3	6.3	15	15

MACHINE ELECTRICAL SPECIFICATIONS

208-240/60/1
208-240/60/3
480/60/3

CONNECTION INFORMATION (*AFF - ABOVE FINISHED FLOOR)

LEGEND (see page 6 for further details)

- E1 ELECTRICAL CONNECTION: MOTORS & CONTROLS.
1" OR 3/4" CONDUIT HOLE.
- E2 ELECTRICAL CONNECTION: VENT FAN CONTROL,
1/2" CONDUIT HOLE. (VFC1 & VFC2) 1.5 AMPS @ NAMEPLATE SUPPLY VOLTAGE,
"ON" WHEN MACHINE IS ON.
- E3 ELECTRICAL CONNECTION: RINSE AGENT & SANITIZER FEEDERS,
1/2" CONDUIT HOLE. (DPS1 & DPS2) 1.5 AMPS @ NAMEPLATE SUPPLY VOLTAGE,
(RPS1 & RPS2) 1.5 AMPS @ NAMEPLATE SUPPLY VOLTAGE.
- E4 ELECTRICAL CONNECTION: EXTERNAL BOOSTER CONTROL,
1/2" CONDUIT HOLE. (BSTR1 & BSTR2) 0.1 AMPS @ 120 VAC
- P1 COMMON WATER CONNECTION:
(180°F WATER MIN. HOT WATER SANITIZING)
(120°F WATER MIN. CHEMICAL SANITIZING)
3/4" FPT.
- P2 GAS CONNECTION - NAT. OR L.P. (WHEN ORDERED):
1/2" FPT.
- P3 DRAIN: 1-1/2" MPT.
- P4 DETERGENT PROBE SENSOR: REMOVE CAP AND STUD ASSEMBLY
TO ACCESS 7/8" HOLE.
- P5 DETERGENT FEEDER: REMOVE CAP PLUG TO ACCESS
7/8" HOLE.
- P6 RINSE AGENT FEEDER: 1/8" NPT, REMOVE 1/8" NPT
PIPE PLUG TO ACCESS TAPPED HOLE.
- P7 SANITIZER FEEDER: 1/8" NPT, REMOVE 1/8" NPT
PIPE PLUG TO ACCESS TAPPED HOLE.

AM SELECT DISHWASHER



701 S Ridge Avenue, Troy, OH 45374
1-888-4HOBART • www.hobartcorp.com

ELECTRIC TANK HEAT

PLUMBING NOTES:

WATER HAMMER ARRESTOR (MEETING ASSE-1010 STANDARD OR EQUIVALENT) TO BE SUPPLIED (BY OTHERS) IN COMMON WATER SUPPLY LINE AT SERVICE CONNECTION.

RECOMMENDED WATER HARDNESS TO BE 4-6 GRAINS FOR BEST RESULTS.

RECOMMENDED BUILDING FLOWING WATER PRESSURE TO THE DISHWASHER IS 15-25 PSI. IF PRESSURES HIGHER THAN 25 PSI ARE PRESENT, A PRESSURE REGULATING VALVE WITH INTERNAL THERMAL EXPANSION BY PASS, MUST BE SUPPLIED (BY OTHERS) IN THE WATER LINE TO THE DISHWASHER.

FOR CONVENIENCE WHEN CLEANING, WATER TAP SHOULD BE INSTALLED NEAR MACHINE WITH HEAVY DUTY HOSE AND SQUEEZE VALVE.

MISCELLANEOUS NOTES:

ALL DIMENSIONS TAKEN FROM FLOOR LINE MAY INCREASE 3/4" OR DECREASE 1/2" DEPENDING ON LEG ADJUSTMENT.

NET WEIGHT OF MACHINE: 274 LBS. W/O BOOSTER
DOMESTIC SHIPPING WEIGHT: 354 LBS. W/O BOOSTER

NET WEIGHT OF MACHINE: 304 LBS. W/BOOSTER
DOMESTIC SHIPPING WEIGHT: 384 LBS. W/BOOSTER

SIZE OF RACKS - 19-3/4" x 19-3/4"

DRAIN LEVER LOCATED INSIDE TANK.

VENT HOOD (IF REQUIRED) TO PROVIDE A MINIMUM 450 CFM EXHAUST (REF. INSTALLATION INSTRUCTIONS).

SINGLE POINT ELECTRICAL CONNECTION AVAILABLE ON 3 PH MACHINES ONLY WITH INTEGRATED BOOSTER HEATER.

OPTIONAL AM SELECT SINGLE POINT ELECTRICAL SERVICE CONNECTION AS SHOWN BELOW

ELEC. SPECS	RATED AMPS	MINIMUM SUPPLY CONDUCT OR AMPACITY	MAXIMUM PROTECTIVE DEVICE
208-240/60/3	45.4	60	60
480/60/3	23.6	30	30
*200-240/50/3	45.7	60	60
*380-415/50/3	25.2	30	30

GAS TANK HEAT

GAS HEATED DISHWASHERS

FOR NATURAL GAS, PRESSURE TO THE BURNER (CUSTOMER CONNECTION) SHOULD NOT EXCEED 7" W.C.

FOR LIQUIFIED PETROLEUM GAS, PRESSURE TO THE BURNER (CUSTOMER CONNECTION) SHOULD NOT EXCEED 11" W.C.

IF GAS PRESSURE IS HIGHER THAN 7" (NATURAL GAS) OR 11" (L.P.) W.C., A PRESSURE REGULATING VALVE MUST BE INSTALLED (BY OTHERS) IN THE GAS LINE TO THE DISHWASHER.

GAS HEAT BTU INPUT - 25,000 NATURAL
25,000 PROPANE

PLUMBING NOTES:

WATER HAMMER ARRESTOR (MEETING ASSE-1010 STANDARD OR EQUIVALENT) TO BE SUPPLIED (BY OTHERS) IN COMMON WATER SUPPLY LINE AT SERVICE CONNECTION.

RECOMMENDED WATER HARDNESS TO BE 4-6 GRAINS FOR BEST RESULTS.

RECOMMENDED BUILDING FLOWING WATER PRESSURE TO THE DISHWASHER IS 15-25 PSI. IF PRESSURES HIGHER THAN 25 PSI ARE PRESENT, A PRESSURE REGULATING VALVE WITH INTERNAL THERMAL EXPANSION BY PASS, MUST BE SUPPLIED (BY OTHERS) IN THE WATER LINE TO THE DISHWASHER.

FOR CONVENIENCE WHEN CLEANING, WATER TAP SHOULD BE INSTALLED NEAR MACHINE WITH HEAVY DUTY HOSE AND SQUEEZE VALVE.

MISCELLANEOUS NOTES:

ALL DIMENSIONS TAKEN FROM FLOOR LINE MAY INCREASE 3/4" OR DECREASE 1/2" DEPENDING ON LEG ADJUSTMENT.

NET WEIGHT OF MACHINE: 306 LBS.
DOMESTIC SHIPPING WEIGHT: 386 LBS.

SIZE OF RACKS - 19-3/4" x 19-3/4"

DRAIN LEVER LOCATED INSIDE TANK.

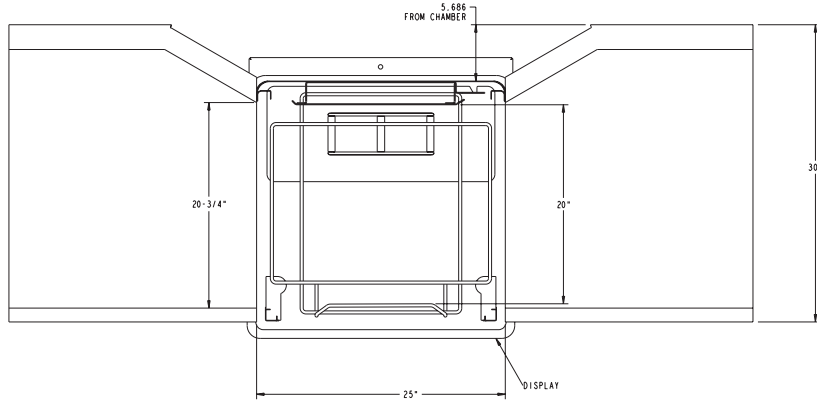
VENT HOOD (IF REQUIRED) TO PROVIDE A MINIMUM 450 CFM EXHAUST (REF. INSTALLATION INSTRUCTIONS).

	AM Select	
	Hot Water Sanitizing	Chemical Sanitizing
Machine Ratings (Mechanical)		
Racks per Hour (Max.)	58	65
Dishes per Hour (Average 25 per rack)	1,450	1,625
Glasses per Hour (Average 45 per rack)	2,610	2,925
Table to Table - Inside Tank at Table Connection (Inches)	25 1/4"	25 1/4"
Overall Dimensions - (H x W x D) (Inches)	66.5" x 27" x 28.5"	
Wash Motor H.P.	2	2
Wash Tank Capacity - Gallons	14	14
Wash Pump Capacity - Gallons per Minute - Weir Test	160	160
Heating Equipment - (For keeping power wash water hot)		
Gas Burner (Regulated) Natural/LP Gas BTU/Hr.	25,000	25,000
Electric Heating Unit (Regulated)	5 kw	5 kw
Rinse - Minutes operated during hour of capacity operation	9.66	10.83
Seconds of rinse per rack	10	10
Rate of Rinse Flow - Gallons per Minute - at 20 lbs. Flow Pressure	4.4	4.4
Rinse Consumption - Gallons per Hour - Maximum - at 20 lbs. Flow Pressure	42.9	48.1
Rinse Cycle - Gallons per Rack - at 20 PSI Flow	.74 - 180°F Min.	.74 - 140°F Min.
Steam Booster , if used based on 20 PSI steam - 20 PSI water flowing 130°F entering water raised to 180°F min. (50°F rise) - Lbs. per Hour	40	40
Peak Rate of Drain Flow - Gallons per Minute (Initial rate with full tank)	38	38
Exhaust Requirements	450	450
Shipping Weight Crated - Approx. lbs. - Unit only, with booster	354 w/o Booster 384 w/Booster	354

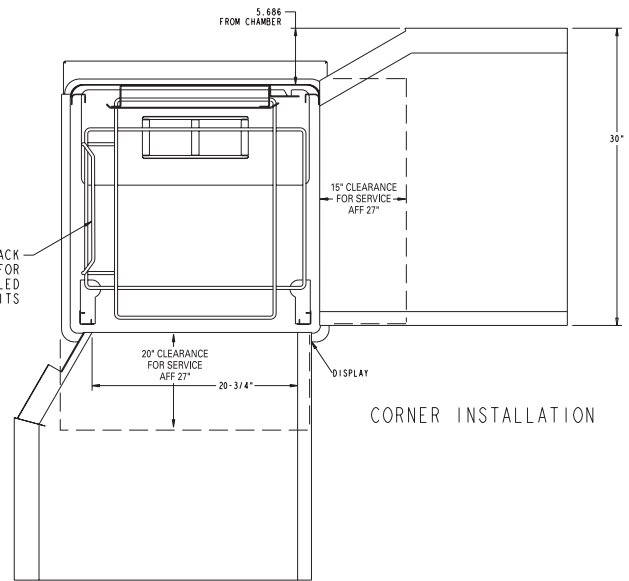


701 S Ridge Avenue, Troy, OH 45374
1-888-4HOBART • www.hobartcorp.com

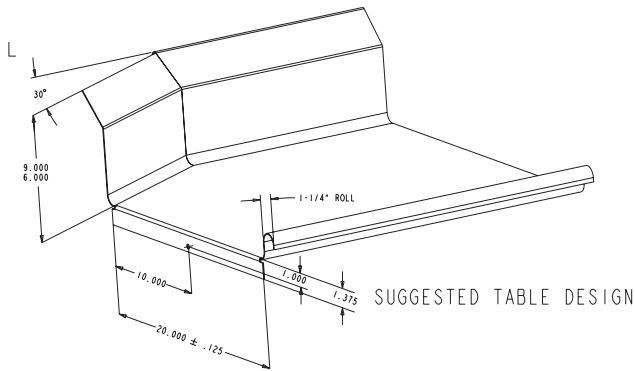
AM SELECT DISHWASHER



PASS THRU INSTALLATION

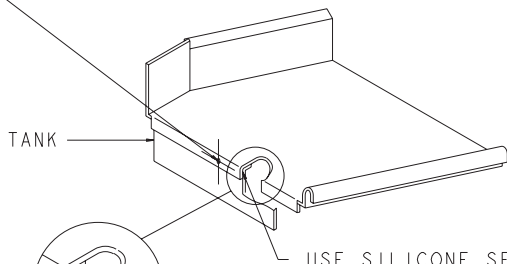


CORNER INSTALLATION



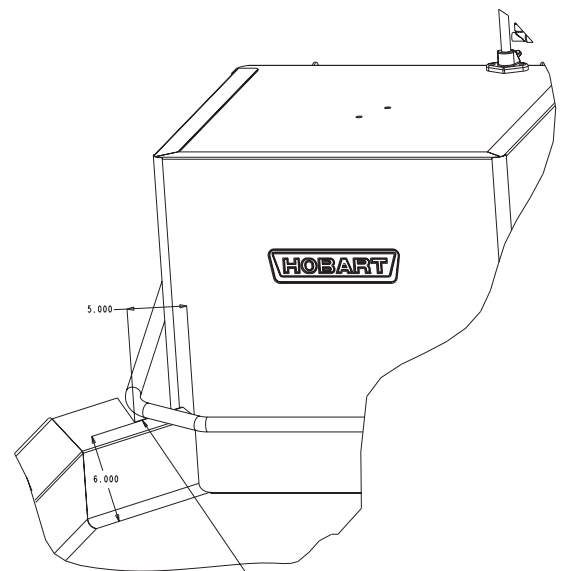
SUGGESTED TABLE DESIGN

- DRILL \varnothing .344 HOLE THRU TANK WALL
- 5/16-18 SST TRUSS HD SCREW
- 5/16-18 SST LOCKWASHER
- 5/16-18 SST HEX HD NUT



TANK

USE SILICONE SEALER BETWEEN TABLE AND LIP OF TANK TO PREVENT LEAKAGE



A NOTCH MUST BE ADDED TO BACKSPASHES OVER 6" HIGH ON CORNER MACHINES TO PREVENT INTERFERENCE WITH DOOR MECHANISM. NOTCH MUST EXTEND 5" FROM FACE OF THE MACHINE.

AM SELECT DISHWASHER



701 S Ridge Avenue, Troy, OH 45374
1-888-4HOBART • www.hobartcorp.com

The microcomputer-based control system is built into the AM Select dishwasher. It is available in standard electrical specifications of 208-240/60/1, 208-240/60/3, 480/60/3, 200-240/50/3, 380-415/50/3 and is equipped with a reduced voltage pilot circuit transformer.

***CAUTION: CERTAIN MATERIALS, INCLUDING SILVER, ALUMINUM AND PEWTER ARE ATTACKED BY SODIUM HYPOCHLORITE (LIQUID BLEACH) IN THE CHEMICAL SANITIZING DISHWASHER MODE OF OPERATION. WATER HARDNESS MUST BE CONTROLLED TO 4-6 GRAINS FOR BEST RESULTS.**

CONSTRUCTION: Drawn tank, tank shelf and feet constructed of 16 gauge stainless steel. Wash chamber and front trim panel above motor compartment are polished, satin finish. Frame is 12 gauge stainless steel, chamber is 18 gauge, and removable trim panels are 20 gauge.

CHAMBER LIFT: Chamber coupled by stainless steel handle, spring counterbalanced. Chamber guided for ease of operation and long life.

PUMP: With stainless steel pump and impeller, integral with motor assures alignment and quiet operation. Pump shaft seal with stainless steel parts and a carbon ceramic sealing interface. Easily removable impeller housing permits ease of inspection. Capacity 160 GPM. Pump is completely self-draining.

MOTOR: Built for Hobart, 2 H.P., with inherent thermal protection, grease-packed ball bearings, splash-proof design, ventilated. Single-phase is capacitor-start, induction-run type. Three-phase is squirrel-cage, induction type.

MICROCOMPUTER CONTROL SYSTEM: Hobart microcomputer controls, assembled within water-resistant enclosure, provide built-in performance and reliability.

The microcomputer control, relays and contactors are housed behind a stainless steel enclosure, hinged to provide easy access for servicing. The line voltage electrical components are completely wired with 105°C, 600V thermoplastic insulated wire with stranded conductors and routed through listed electrical conduit. Electrical components are wired with type ST cord. Line disconnect switch NOT furnished.

CYCLE OPERATION: The microcomputer-timing program is started by closing the doors, which actuates the door cycle switch. The microcomputer energizes the wash pump motor contactor during the wash portion of the program. After the wash, a dwell permits the upper wash manifold to drain. At the end of the dwell, the final rinse solenoid valve is energized. After the final rinse valve closes, Sani-Dwell (Hot Water Mode only) permits sanitization to continue. The Rinse display remains on during this period, completing the program. If the microcomputer is interrupted during a cycle by the door-cycle switch, the microcomputer is reset to the beginning of the program.

Hot Water Sanitizing (58 racks per hour) – 57 seconds: 38 Second Wash, 2 Second Dwell, 10 Second Rinse, 7 Second Sani-Dwell. **Chemical Sanitizing (65 racks per hour) – 50 Seconds:** 38 Second Wash, 2 Second Dwell, 10 Second Rinse. Other programs can be pre-selected by your Hobart service technician.

Manual wash cycle selector also provides selection of 2-, 4- or 6-minute wash cycles for heavier washing applications.

WASH: Hobart revolving stainless steel wash arms with unrestricted openings above and below provide thorough distribution of water jets to all dishware surfaces. Arms are easily removable for cleaning and are interchangeable. Stainless steel tubing manifold connects upper and lower spray system.

RINSE: Rotating rinse arms, both upper and lower, feature 14 rinse nozzles. The stainless steel upper and lower rinse arms are easily removable without tools for inspection and are interchangeable. Diaphragm-type rinse control solenoid valve mounted outside machine. Machine is equipped with special hot water vacuum breaker on downstream side of rinse valve – mounted 6" above uppermost rinse opening. Easy open brass line strainer furnished.

FILL: Microcomputer controlled fill valve installed on upstream side of rinse vacuum breaker. Ratio fill method is used giving the correct fill at any flowing water pressure. (20 PSIG minimum necessary for proper rinsing.)

DRAIN AND OVERFLOW: Large bell type automatic overflow and drain valve controlled from inside of machine. Drain automatically closed by lowering chamber. Drain seal is large diameter, high temperature "O" ring. Cover for overflow is integral part of the standpipe.

STRAINER SYSTEM: Equipped with large, exclusive self-flushing, easily removable perforated stainless steel, one-piece strainer and large capacity scrap basket. Submerged scrap basket minimizes frequent removal and cleaning.

HEATING EQUIPMENT: Standard tank heat is 5KW electric immersion heating element. Regulated power infrared gas immersion tube system is optional at extra cost. A solid-state igniter board controls the gas valve and provides flame ignition. A transformer steps the control circuit voltage down to 24 volts to power the igniter board and gas valves.

Gas Heated Dishwasher: For natural gas, gas pressure (customer connection) not to exceed 7" W.C. For liquefied petroleum, gas pressure to burner (customer connection) not to exceed 11" W.C. If gas pressure is higher than 7" W.C. natural or 11" W.C. LP, a pressure regulating valve must be supplied (by others) in the gas line to the dishwasher. Water temperature regulation is controlled by thermistor sensor in combination with microcomputer controls. The tank heat and positive low water protection microcomputer circuits are automatically activated when the main power switch is turned "on". If tank is accidentally drained, low water protection device automatically turns heat off. Gas immersion tube is additionally protected by a high limit device mounted on the surface of the tube. These features are standard with the Hobart Microcomputer Control System.

OPTIONAL EQUIPMENT AT EXTRA COST – ELECTRIC BOOSTER HEATER: Electric booster with Sense-A-Temp™ technology adequately sized to raise 110°F inlet water to 180°F (not available on gas heat machines).

ACCESSORIES: 19¾" x 19¾" peg and combination dish racks. Splash shield for corner installations. End of cycle audible alarm (field activated). Delime notification (field activated). Desirable functional accessories can be furnished at added cost. See listed options and accessories on this specification sheet. Write to the factory for special requirements not listed above.

As continued product improvement is a policy of Hobart, specifications are subject to change without notice.

INSTRUCTIONS

AM SELECT DISHWASHERS

MODELS

<i>AM15</i>	<i>ML-130038</i>
<i>AM15F</i>	<i>ML-130045</i>
<i>AM15T</i>	<i>ML-130039</i>



701 S. RIDGE AVENUE
TROY, OHIO 45374-0001

937 332-3000

www.hobartcorp.com

FORM 35320 Rev. C (Oct. 2009)

POST IN A PROMINENT LOCATION THE INSTRUCTIONS TO BE FOLLOWED IN THE EVENT THE SMELL OF GAS IS DETECTED. THIS INFORMATION CAN BE OBTAINED FROM THE LOCAL GAS SUPPLIER.

IMPORTANT

IN THE EVENT A GAS ODOR IS DETECTED, SHUT DOWN UNIT(S) AT MAIN SHUTOFF VALVE AND CONTACT THE LOCAL GAS COMPANY OR GAS SUPPLIER FOR SERVICE.

FOR YOUR SAFETY

DO NOT STORE OR USE GASOLINE OR OTHER FLAMMABLE VAPORS OR LIQUIDS IN THE VICINITY OF THIS OR ANY OTHER APPLIANCE.

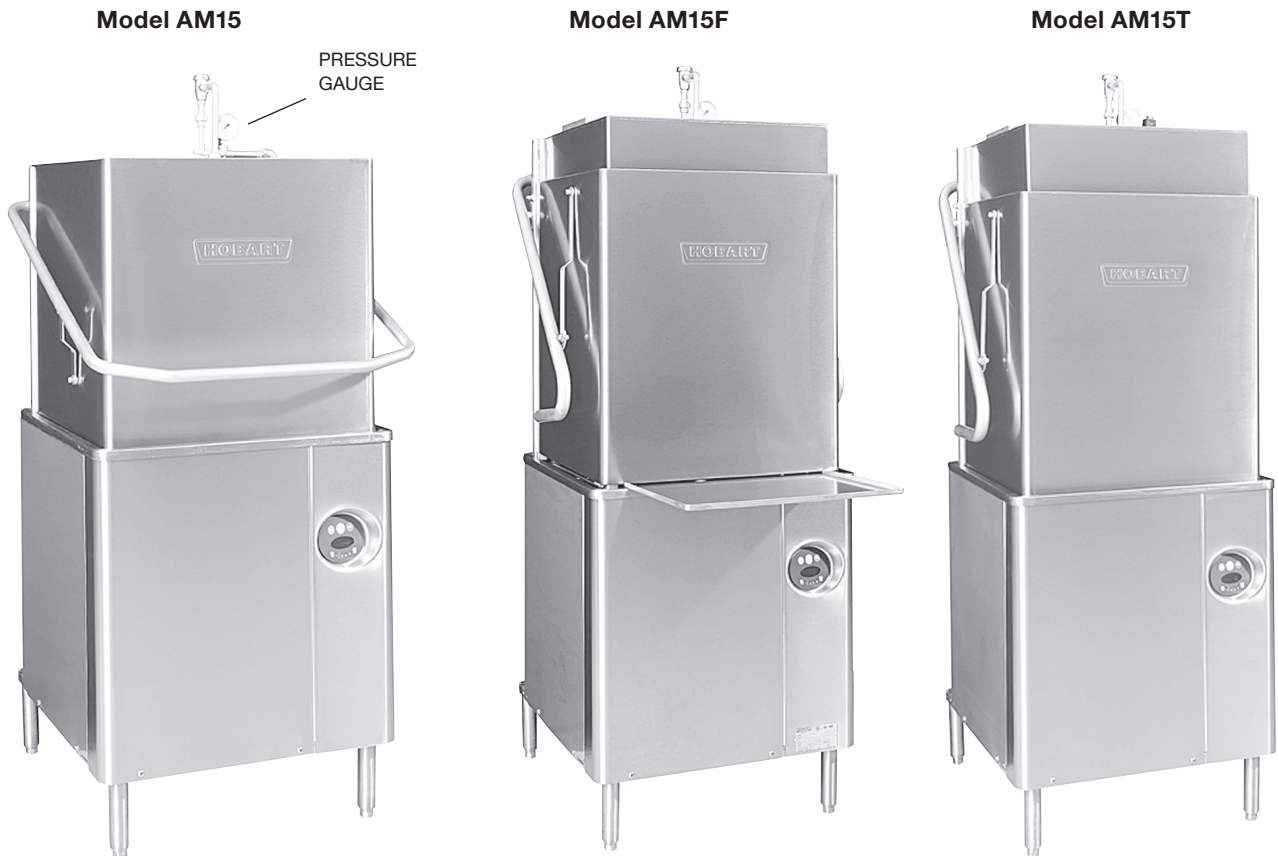


Fig. 1

TABLE OF CONTENTS

GENERAL	4
INSTALLATION	5
UNPACKING	5
INSTALLATION CODES	5
LOCATION	5
CORNER INSTALLATION	6
WATER REQUIREMENTS	7
PLUMBING CONNECTIONS	8
DRAIN CONNECTION	8
WATER CONNECTION	8
Without Electric Booster Water Heater	8
With Electric Booster Water Heater	8
GAS TANK HEAT (When Specified)	9
VENTING REQUIREMENTS — WITH GAS TANK HEAT	10
Rate of Exhaust Flow Calculations	11
ELECTRICAL CONNECTIONS	12
Dishwasher Without Electric Booster	12
Check Rotation (Three Phase Machines Only)	12
Dishwasher With Electric Booster (Separately Connected)	13
Dishwasher With Electric Booster (Single Point Electrical Connection)	13
EQUIPMENT CONNECTIONS	13
Vent Fan Control	13
Remote Booster Control	13
DETERGENT, RINSE AID, SANITIZER DISPENSERS – TUBING INSTALLATION	14
Detergent Dispenser	14
Rinse Aid Dispenser	14
Chemical Sanitizer Dispenser	14
EQUIPMENT CONNECTIONS – Detergent, Rinse Aid, Sanitizer Dispensers	15
Detergent Dispenser	15
Rinse Aid / Sanitizer Dispenser(s)	15
SETUP (All Models)	16
Sanitizing Mode	16
End of Cycle Buzzer	16
OPERATION	17
PREPARATION	17
DISHWASHING	18
CLEANING	19
DELIME INSTRUCTIONS	20
DOs AND DON'Ts FOR YOUR NEW HOBART WAREWASHER	20
MAINTENANCE	21
Wash Arms	21
Motor(s)	21
Flue (Machines Equipped With Gas Tank Heat Only)	21
TROUBLESHOOTING	22
Manual Reset Button on Pump Motor	22
SERVICE	24

Installation, Operation, and Care of AM SELECT DISHWASHERS

SAVE THESE INSTRUCTIONS

GENERAL

Models AM15 and AM15T dishwashers can be configured for straight through or corner operation. Model AM15F is configured for front loading. AM15 and AM15T dishwashers are shipped from the factory in straight-through configuration. Straight-through machines can easily be converted to corner operation. Model AM15F includes a front-loader shelf and left- and right-side shields as standard equipment. The front-loader shelf on AM15F can be positioned up (inside the machine during operation) or down (outside the machine during operation).

AM15, AM15F and AM15T dishwashers are designed to operate in one of two modes: Hot water sanitizing mode (designated by the letters "AH" or "AP" on the display when the machine is turned on), or a chemical sanitizing mode (designated by the letters "AC" on the display when the machine is turned on).

The serial number can be found on the machine data plate located on the bottom of the front panel.

DO NOT attempt to operate this dishwasher in the chemical sanitizing mode without a properly installed, NSF-certified, chemical sanitizer feeder (not supplied with machine). Contact an authorized detergent representative for information about a chemical sanitizer feeder.

The pump motor is rated 2 H.P. and has thermal overload protection.

The fill line incorporates an atmospheric vacuum breaker to prevent any reverse flow of water from the dishwasher into the potable water supply.

The unit, once turned on, will fill the wash tank to the appropriate level and automatically stop filling once the level is reached.

A float, located in the wash tank, will shut off the heat supply if the water level becomes too low. When the water returns to a proper level, the heating circuit is again operational.

A frame-mounted 8.5 KW electric booster water heater is available as an option on machines equipped with electric tank heat. The booster water heater is designed to maintain a minimum final rinse temperature of 180°F provided the incoming water to the booster heater is at least 110°F.

High-temperature or gas heat dishwashers will probably require a hood or vent over the dishwasher in order to meet local codes. Low-temperature chemical sanitizing machines or low usage electric heat dishwashers may not require individual venting of the machine if the room is amply exhausted. Refer to pages 10 and 11 for venting and hood requirements. Verify with local codes for final authority.

INSTALLATION

UNPACKING

Immediately after unpacking the dishwasher, check for possible shipping damage. If this machine is found to be damaged, save the packaging material and contact the carrier within 15 days of delivery.

Prior to installation, test the electrical service to make sure it agrees with the specifications on the machine data plate; this includes the optional electric booster, if equipped. The dishwasher data plate is located at the bottom of the front panel.

INSTALLATION CODES

Installation must be in accordance with state and local codes, or in the absence of local codes, with the National Fuel Gas Code, ANSI Z223.1 (latest edition) if applicable, and the National Electrical Code ANSI/NFPA 70 (latest edition). In Canada, the installation standards are: CAN/CGA B149.1, CAN/CGA B149.2, and CSA C22.2 No.1 (latest editions).

LOCATION

Before finalizing the location, make sure that consideration has been given for the electrical conduit, water supply, drain connection, gas supply and venting (if applicable), tabling (if needed), chemical feeder replenishment (if applicable) and adequate clearance for opening the door.

The dishwasher must be level before any connections are made. Turn the threaded feet (Fig. 2) as required to level the machine and adjust to the desired height.

The edge of dish table that overhangs the AM15 wash tank should be turned down and fitted over the top of the dishwasher tank (Fig. 3). Apply an NSF approved sealant between the overhang of the dish table and the inner wall of the wash tank to prevent leakage (Fig. 3). Fasten the dish tables to the inner wall of the wash tank with non-rusting truss head screws or rivets (Fig. 3).

For straight-through installations, clearance at the front and 15 inches out from the dishwasher at the right side by 27 inches above the finished floor must be provided for servicing.

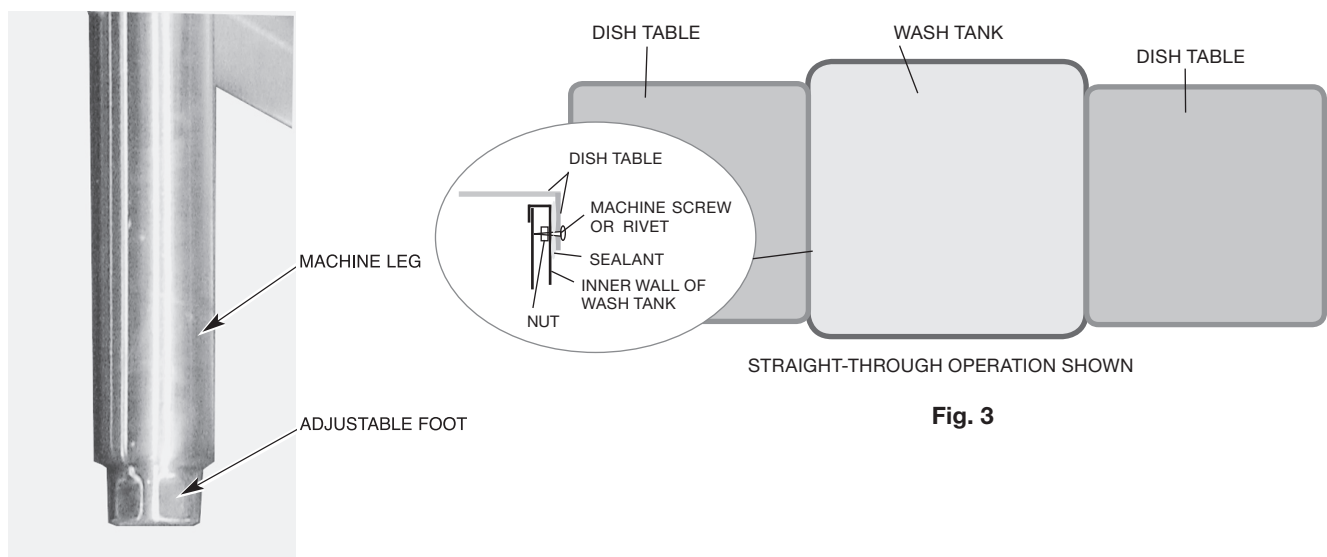


Fig. 2

Fig. 3

CORNER INSTALLATION

Before placing the dishwasher in its operating location, check machine configuration. If the machine is being installed in a corner (Figs. 4, 5), clearances of 20 inches out from the dishwasher under the left-hand tabling by 27 inches above the finished floor and 15 inches out from the dishwasher at the right side by 27 inches above the finished floor must be provided for servicing. For proper installation of a corner machine, the control and display should be positioned at the front corner for operator access (Fig. 5).

For corner installation, rotate the rack track so the guide rail is positioned on the left side (Fig. 6). For corner machines, remove the front door deflector (unscrew three bolts / nuts, Fig. 7).

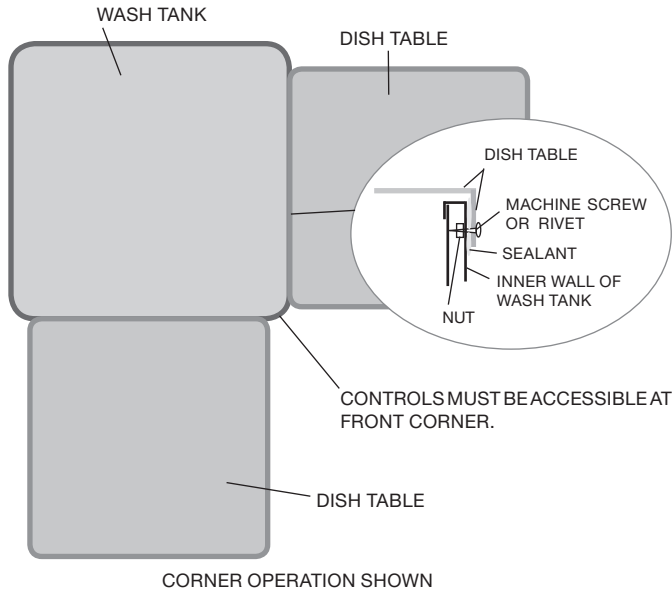


Fig. 4



Fig. 5

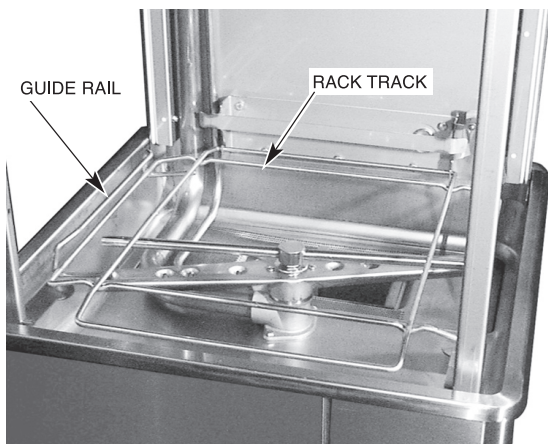


Fig. 6

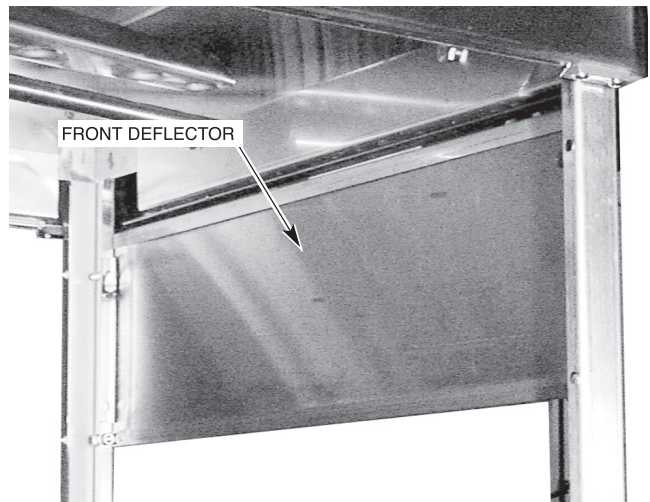


Fig. 7

A splash shield is available (at extra cost) for corner installations to cover the left side opening to the wall. Install the splash shield on the left side using the two 1/4-20 studs on the left rear corner with a lockwasher and nut for each (Fig. 8) and using the two 1/4-20 bolts, lockwashers and nuts on the left front corner (fasteners are provided in the kit).

For corner installations, tabling with backsplashes over 6" high require that a notch be provided to prevent interference with the door mechanism (Fig. 9).

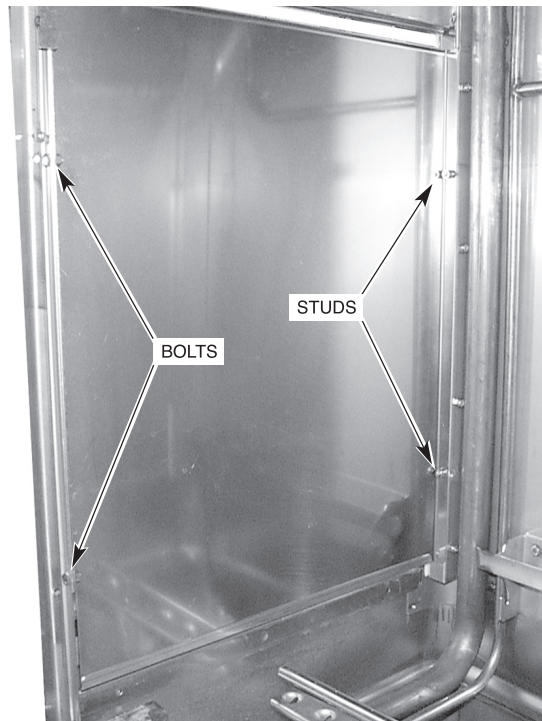
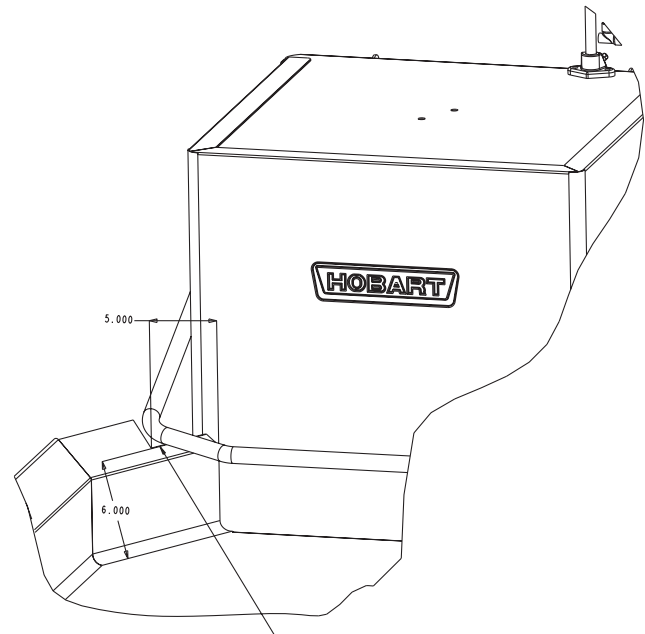


Fig. 8



A NOTCH MUST BE ADDED TO BACKSPASHES OVER 6" HIGH ON CORNER MACHINES TO PREVENT INTERFERENCE WITH DOOR MECHANISM. NOTCH MUST EXTEND 5" FROM FACE OF THE MACHINE.

Fig. 9

WATER REQUIREMENTS

Proper water quality can improve warewashing performance by reducing spotting, lowering chemical supply costs, improving productivity and extending equipment life. Local water conditions vary from one location to another. The recommended proper water treatment for effective and efficient use of this equipment will also vary depending on the local water conditions. Ask your municipal water supplier for details about local water specifics prior to installation.

Recommended water hardness is 3 grains of hardness per gallon or less. Chlorides must not exceed 50 parts per million. Water hardness above 3 grains per gallon should be treated by a water conditioner (water softener or in-line treatment). Water treatment has been shown to reduce costs associated with machine cleaning, reduce the need for deliming the dishwasher and reduce detergent usage.

Sediment, silica, chlorides or other dissolved solids may lead to a recommendation for particulate filtration or reverse osmosis treatment.

If an inspection of the dishwasher or booster heater reveals lime build-up after the equipment has been in service, in-line water treatment should be considered, and, if recommended, should be installed and used as directed. Contact your Hobart Service office for specific recommendations.

PLUMBING CONNECTIONS

WARNING: PLUMBING CONNECTIONS MUST COMPLY WITH APPLICABLE SANITARY, SAFETY AND PLUMBING CODES.

DRAIN CONNECTION

The drain connection is a 1½" externally threaded pipe connected straight down from the bottom of the wash tank (Fig.10). The connection can be made in any direction by using the proper fitting (not supplied) and routing to the appropriate drain line.

If a grease trap is required by code, it should have a minimum flow capacity of 38 gallons per minute.

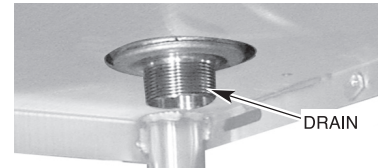


Fig. 10

WATER CONNECTION

A suitable water hammer arrestor should be installed in the water line just ahead of the dishwasher.

Without Electric Booster Water Heater

The water supply line is connected to the line strainer (top rear, Fig. 1) with ¾" pipe. A manual shutoff valve and pipe union are required (not supplied).

REQUIRED INCOMING WATER TEMPERATURE

Model	Sanitizing Mode	Water Supply	
		Minimum Temperature	Recommended Temperature
Without Built-in Booster	Hot Water Sanitizing	180°F (82°C)	180°F (82°C)
Without Built-in Booster	Chemical Sanitizing	120°F (49°C)	140°F (60°C)
With Built-in Booster	Hot Water Sanitizing	110°F (43°C)	140°F (60°C)

Proper dishwasher operation requires a flowing pressure of 20 ± 5 psig at the dishwasher. If the flowing pressure exceeds 25 psig, a pressure reducing valve (not supplied) must be installed in the water supply line. **CAUTION: The water pressure regulator must have a relief by-pass. Failure to use the proper type of pressure regulator may result in damage to the unit.**

A pressure gauge (Fig. 1) is provided (not installed) for verification of proper water pressure. The water pressure is monitored when the solenoid valve is open and water is flowing.

With Electric Booster Water Heater

The water supply line is connected below the booster with the line strainer (supplied) and ¾" pipe. A manual shut off valve and pipe union are required (not supplied).

The water supply should have a minimum temperature of 110°F, and a flowing pressure of 20 ± 5 psig at the pressure gauge on top of the machine. If the flowing pressure exceeds 25 psig, a pressure reducing valve (not supplied) must be installed in the water supply line. **CAUTION: The water pressure regulator must have a relief by-pass. Failure to use the proper type of pressure regulator may result in damage to the unit.**

Incoming water temperature below 110°F may require longer wash cycle time than the 57 second cycle; refer to OPERATION, pages 17 – 18.

When the fill / final rinse valve is on, water from the booster tank enters the dishwasher through the final rinse arms. During the rinse cycle, this water is 180°F. A small amount of water will likely dribble out of the lower rinse arm into the tank between cycles due to the natural expansion of water as it is being heated.

GAS TANK HEAT (When Specified)

Check the gas data plate attached to the dishwasher or the tag attached to the incoming gas piping for the type of gas to be used.

The burner is not adjustable. The maximum flowing inlet gas pressure must not exceed the Maximum value in the table. If line pressure exceeds the Maximum value in the table, an additional pressure regulator (not supplied) must be installed in the supply line.

GAS PRESSURE SPECIFICATION [FLOWING GAS PRESSURE – NOT STATIC]

Type of Gas	BTU/HR	Inches W.C. (Water Column) <i>FLOWING</i>		
		Incoming Line Pressure		Manifold Pressure
		Minimum	Maximum	
Natural	25,000	3.5	7.0	3.2
Propane	25,000	9.0	11.0	8.2

Static inlet line pressure should not exceed 14" W.C. The minimum value is for input adjustment.

The gas valve is provided with a pressure tap to measure the gas pressure downstream, which is also the manifold pressure. Gas supply piping must have a sediment trap (supplied by others) installed ahead of the dishwasher's gas control. Connect the gas supply to the ½" NPT gas inlet underneath the machine (Fig. 11).

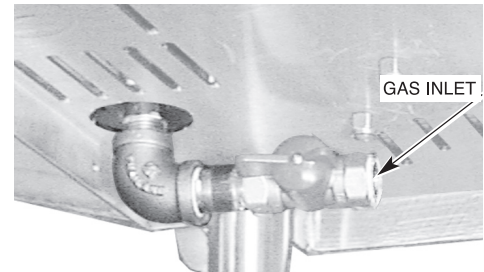


Fig. 11

NOTE: DO NOT use Teflon tape on gas line pipe threads. For gas line pipe connections, use LOCTITE 565, Hobart part 546292, or a flexible sealant suitable for use with Natural and Propane Gases.

The appliance and its gas connections must be leak tested before placing the appliance in operation. Use soapy water for leak test. **DO NOT** use open flame. The installation must conform with local codes, or in the absence of local codes, with the National Fuel Gas Code, ANSI Z223.1 (latest edition). Copies may be obtained from American Gas Association, Inc., 1515 Wilson Boulevard, Arlington, VA 22209.

The appliance and its individual shutoff valve must be disconnected from the gas supply piping system during any pressure testing of that system at test pressures in excess of ½ psig (3.45kPa).

The appliance must be isolated from the gas supply piping system by closing its individual manual shutoff valve during any pressure testing of the gas supply piping system at test pressures equal to or less than ½ psig (3.45kPa).

Dissipate test pressure from the gas supply line before re-connecting the appliance and its manual shutoff valve to the gas supply line. **Caution: Failure to follow this procedure may damage the gas valve.**

The dishwasher must be installed so that the flow of combustion and ventilation air will not be obstructed. Do not store material underneath the machine; air openings into the combustion chamber must not be blocked. Make sure there is an adequate supply of make-up air in the room to allow for combustion of the gas at the burner.

Keep the appliance area free and clear from all combustible substances. Do not obstruct the flow of combustion and ventilation air. The dishwasher must have a minimum clearance from combustible construction of 1 inch from the flue at the rear. Clearances of 20 inches out from the dishwasher at the front (or left side in a corner installation) by 27 inches above the finished floor and 15 inches out from the dishwasher at the right side by 27 inches above the finished floor must be provided for servicing.

The burner is ignited automatically by solid state electronic circuitry; there is no pilot light. Gas flow is regulated by the temperature control circuit.

VENTING REQUIREMENTS – WITH GAS TANK HEAT

Hobart model AM15, AM15F or AM15T dishwashers equipped for gas tank heat are not provided with a flue collar and are not intended to have the flue directly connected to a ventilation system. However, the products of combustion must be vented to the outside air. The most common method of venting is a vent hood over the entire dishwasher (Fig. 12). Refer to Rate of Exhaust Flow Calculations on the next page for calculations of the proper vent rate for your hood. Another method is a small vent hood (Fig. 13) positioned about five inches above the flue exit at the rear of the dishwasher and connected to existing ductwork. In either case, an electrical interlock must be installed to allow the flow of gas to the dishwasher burner ONLY when the exhaust system is energized. For additional information, refer to the National Fuel Gas Code, ANSI Z223.1, NFPA 54.

- **IMPORTANT:** Make sure the installation meets the local code for your area.

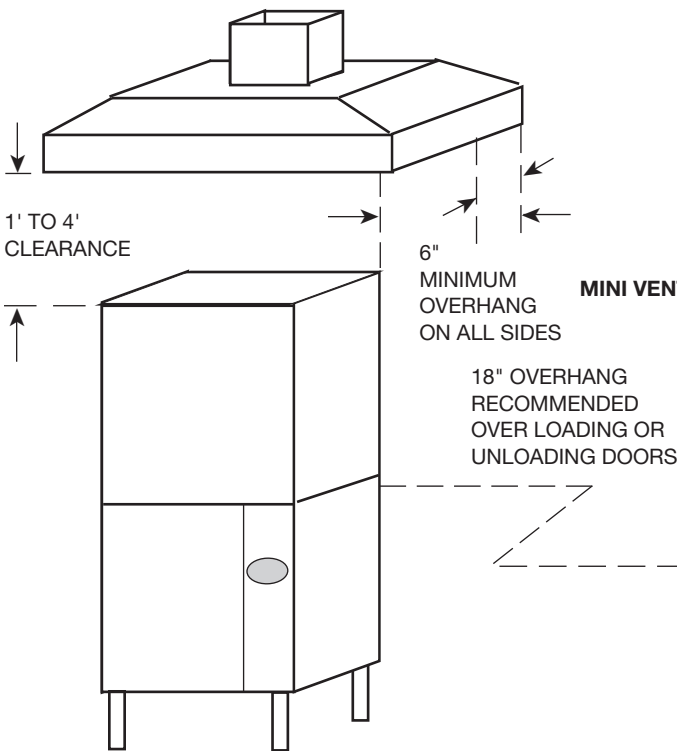


Fig. 12

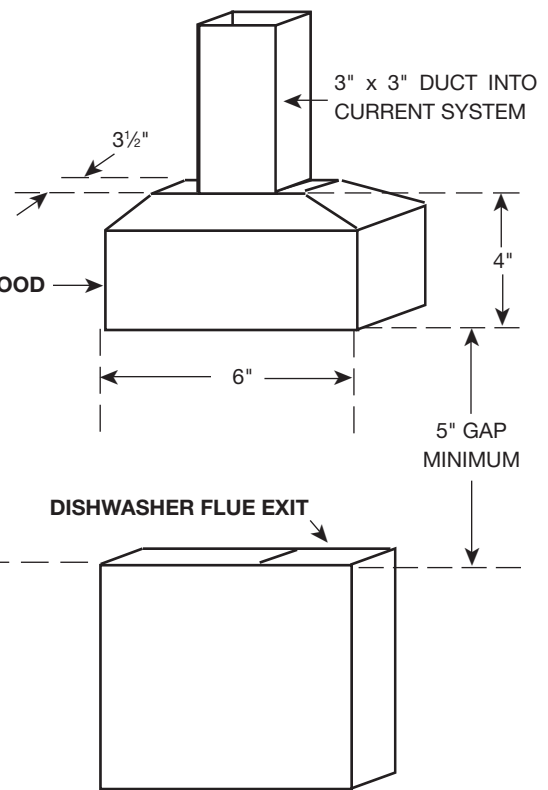


Fig. 13

NOTE: Any listed and labeled factory-built commercial exhaust hood tested in accordance with UL Standard 710 by a nationally recognized testing laboratory, should be installed according to the terms of its listing and the manufacturer's installation instructions.

RATE OF EXHAUST FLOW CALCULATIONS

Based on the 1996 International Mechanical Code.

The **Rate** of air flow required for a vent hood is calculated using the following definitions (Fig. 14):

Q = Rate of Air Flow in Cubic Feet Per Minute or [CFM] Required for the Hood.

A = Area of Hood Opening in Feet² = (L x W)

D = Clearance Height = Distance in Feet from lower lip of hood to top of dishwasher chamber.

P = Perimeter of Hood that is Open. This depends on the hood design, as follows:

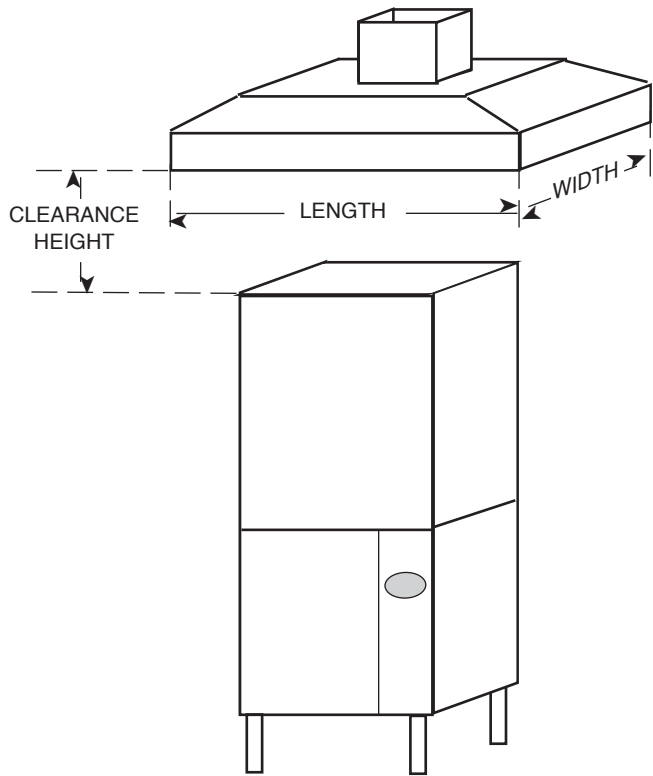


Fig. 14

Perimeter Calculation Formula

Hood Design	Corner	Wall	Island
Number of Open Sides	2 Sides Open	3 Sides Open	4 Sides Open
P =	L + W	L + W + W	L + L + W + W
Dimensions	Feet	Feet	Feet

If there are four open sides (Island Design), the calculation of the Rate is as follows:

$$Q = 75 \times A$$

If there are three or fewer open sides, the calculation of the Rate is as follows:

$$Q = 50 \times A$$

As an alternate method, the Rate can be calculated as follows:

$$Q = 50 \times P \times D$$

Example:

$$L = 3 \quad W = 3 \quad D = 2$$

Rate Calculations

Hood Design	Corner	Wall	Island
Number of Open Sides	2 Sides Open	3 Sides Open	4 Sides Open
Q = 75 x A			675 CFM
Q = 50 x A	450 CFM	450 CFM	
Q = 50 x P x D	600 CFM	900 CFM	1200 CFM

ELECTRICAL CONNECTIONS

WARNING: ELECTRICAL AND GROUNDING CONNECTIONS MUST COMPLY WITH THE APPLICABLE PORTIONS OF THE NATIONAL ELECTRICAL CODE AND/OR OTHER LOCAL ELECTRICAL CODES.

WARNING: DISCONNECT THE ELECTRICAL POWER TO THE MACHINE (BOTH DISHWASHER AND BOOSTER IF APPLICABLE) AND FOLLOW LOCKOUT / TAGOUT PROCEDURES.

Refer to the wiring diagram attached inside the front trim panel and to the machine data plate for service size requirements when connecting the dishwasher. Also, refer to Electrical Data, page 12.

To access the controls area, remove the right side panel, remove the front panel and open the control panel door. The dishwasher electrical service connection can be made through the 1³/₃₂" diameter hole for 3/4 inch trade size conduit located on the right side at the rear of the machine. By removing a knockout, this hole can be enlarged to 1³/₈" diameter for 1 inch trade size conduit, if required.

ELECTRICAL DATA

Models	Volts / Hz / Ph	Tank Heat	Minimum Circuit Ampacity Maximum Protective Device AMPS		
			Dishwasher ONLY	Optional 8.5 KW Electric Booster	
				8.5 KW Booster ONLY	Optional Single Point Electrical Connection 3 Phase Only Dishwasher and Booster
AM15 AM15F AM15T	208 - 240 / 60 / 1	Electric	50	50	
		Gas	20		
	208 - 240 / 60 / 3	Electric	30	30	60
		Gas	15		
	480 / 60 / 3	Electric	15	15	30
		Gas	15		
200 - 240 / 50 / 3	Electric	30	30	60	
380 - 415 / 50 / 3	Electric	15	15	30	

Compiled in accordance with the national electrical code, NFPA 70 (latest edition).

A fused disconnect switch or circuit breaker (not supplied) must be installed in the electrical service line(s) supplying this dishwasher and should meet the requirements of your local electrical code.

Dishwasher Without Electric Booster

For single-phase machines, power supply connections are made to terminal blocks. For three-phase machines connections are made to contactor lugs. The machine must be grounded according to electrical code(s); a grounding lug is provided in the controls area. Electrical connections for machines with gas tank heat are made to contactor 1CON in the controls area.

Check Rotation (Three-Phase Machines Only)

Three-phase motors must rotate in the direction of the arrow on the pump housing. In order to check rotation, remove the bearing cap to observe the motor shaft (Fig. 15). Close the machine doors and press the power switch to ON. When the machine is completely filled, open and close machine doors to verify that the motor shaft rotates in the clockwise direction.

If the rotation is incorrect, **DISCONNECT ELECTRICAL POWER SUPPLY** and interchange any two of the incoming power supply leads. Reconnect the power supply and verify correct rotation. Replace the motor bearing cap.

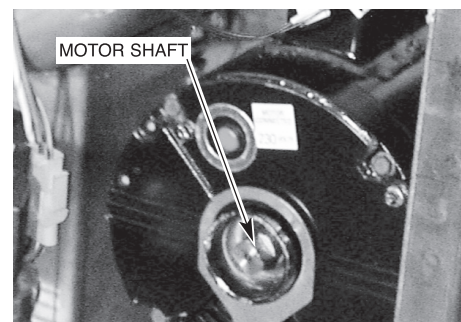


Fig. 15

Dishwasher With Electric Booster (Separately Connected)

Single phase machines with an electric booster require two separate connections, one for the booster and the other for the dishwasher (including motor, controls and tank heat). For single-phase machines, all power supply connections are made to terminal blocks (Fig. 16). The single phase dishwasher is connected to terminal block 1TB in the controls area. The single phase booster is connected to terminal block 2TB in the controls area.

If the machine is three phase, the electrical connection for the dishwasher is made to the contactor 2CON in the controls area. The electrical connection for the three phase booster is made to the contactor 3CON in the controls area (Fig. 17).

Dishwasher With Electric Booster (Single Point Electrical Connection)

Three phase machines configured with the optional single point electrical connection are connected to terminal block 1TB in the controls area (Fig. 18). The machine must be grounded according to electrical code(s); a grounding lug is provided.

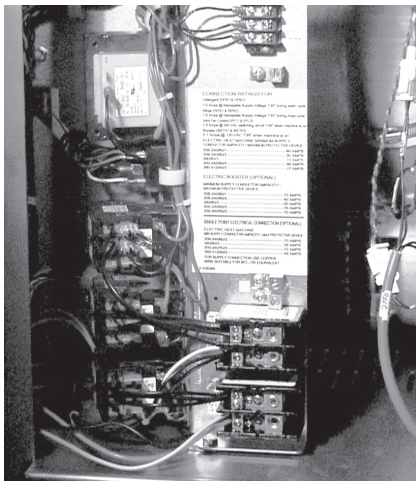


Fig. 16

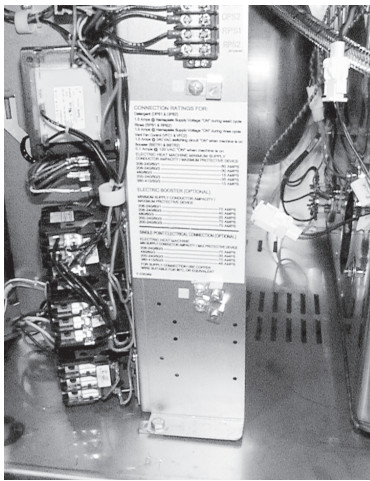


Fig. 17

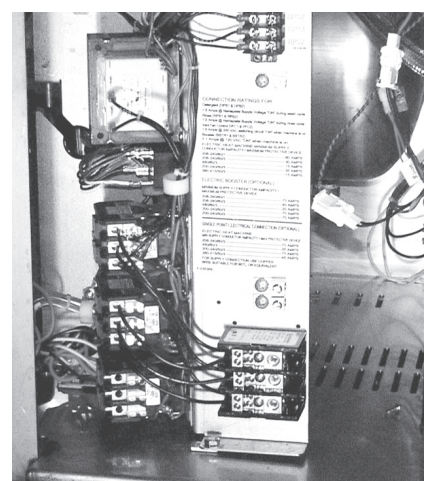


Fig. 18

EQUIPMENT CONNECTIONS

WARNING: ELECTRICAL AND GROUNDING CONNECTIONS MUST COMPLY WITH THE APPLICABLE PORTIONS OF THE NATIONAL ELECTRICAL CODE AND/OR OTHER LOCAL ELECTRICAL CODES.

WARNING: DISCONNECT THE ELECTRICAL POWER TO THE MACHINE (BOTH DISHWASHER AND BOOSTER IF APPLICABLE) AND FOLLOW LOCKOUT / TAGOUT PROCEDURES.

Vent Fan Control

The vent fan control feature is standard on all machines. The vent fan control relay provides switch contacts only and does not provide power to the vent fan motor. The rating for a vent fan control relay connected to terminals VFC1 and VFC2 is 1.5 Amps at 240 Volts maximum. When the dishwasher is connected to the vent fan, the vent fan is switched on when the dishwasher is on, and off when the dishwasher is off.

Remote Booster Control

The booster control feature is standard on all machines. The load rating for remote booster control connections to BSTR1 and BSTR2 is 0.1 Amp. at 120 Volts maximum. **The booster control provides a control signal only and does not provide power to the remote booster.** When a remote booster is connected to the dishwasher, the booster is on when the dishwasher is on and off when the dishwasher is off.

DETERGENT, RINSE AID, SANITIZER DISPENSERS — TUBING INSTALLATION

Detergent, rinse aid and / or sanitizer dispensers (not provided by Hobart) must have all connections sealed against leakage.

The dishwasher uses 0.74 gallons of rinse water per rack at a flow rate of 4.4 gallons per minute at 20 psig flowing pressure (equivalent to a maximum head pressure of 46 feet of water). This information is used when setting the detergent, rinse aid or sanitizer pumps.

Detergent Dispenser

The dishwasher has two $\frac{7}{8}$ " diameter plugged holes, one on the rear of the chamber and one on the lower part of the tank near the pump (Fig. 19). With the tank empty, remove both plugs to install the detergent dispenser.

- The chamber hole is for installation of the detergent feeder tube.
- The lower tank hole is used for installation of the detergent sensor.

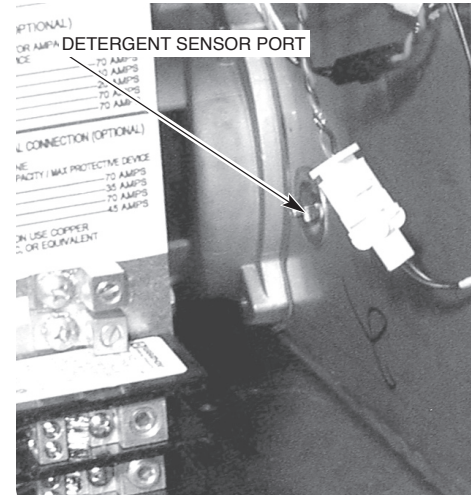


Fig. 19

Rinse Aid Dispenser

The rinse line flange connector on top of the dishwasher has two $\frac{1}{8}$ " NPT pipe plugs (Fig. 20).

- Remove the plug(s) (Fig. 20) for installation of the rinse aid dispenser tube and / or chemical sanitizer tube, as needed.

Chemical Sanitizer Dispenser

When the dishwasher is to be operated in the chemical sanitizing mode, the machine must be converted to low-temperature sanitization (refer to Setup, page 16). A chemical sanitizer dispenser that has been tested and certified by NSF International must be installed.

- Remove the pipe plug (Fig. 20) for installation of the chemical sanitizer tube. To assure an unobstructed flow of sanitizer, locate the sanitizer tube in the center of water flow by drilling the sanitizer tube fitting so that its inside diameter is equal to the outside diameter of the tube. Slide the tube into the flange until it touches the opposite side and then pull it back out $\frac{1}{4}$ inch (Fig. 21).
- Rate for 6% Sodium hypochlorite (bleach) — 3 ml. within 10 seconds (maximum).
- Rate for 8.4% Sodium hypochlorite (bleach) — 2 ml. within 10 seconds (maximum).

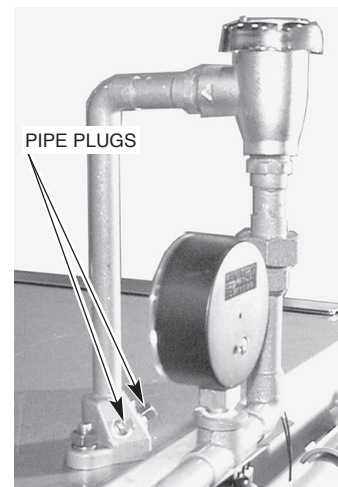


Fig. 20

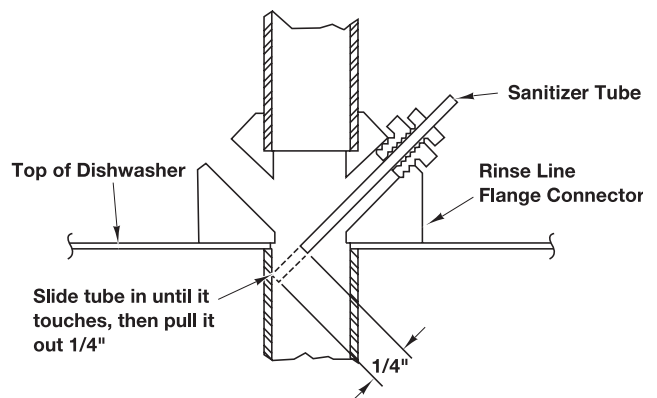


Fig. 21

EQUIPMENT CONNECTIONS – Detergent, Rinse Aid, Sanitizer Dispensers

WARNING: ELECTRICAL AND GROUNDING CONNECTIONS MUST COMPLY WITH THE APPLICABLE PORTIONS OF THE NATIONAL ELECTRICAL CODE AND/OR OTHER LOCAL ELECTRICAL CODES.

WARNING: DISCONNECT THE ELECTRICAL POWER TO THE MACHINE (BOTH DISHWASHER AND BOOSTER IF APPLICABLE) AND FOLLOW LOCKOUT / TAGOUT PROCEDURES.

This machine must be operated with an automatic detergent feeder and, if applicable, an automatic chemical sanitizer feeder, including a visual means to verify that detergents and sanitizers are delivered or a visual or audible alarm to signal if detergents and sanitizers are not available for delivery to the respective washing and sanitizing systems. Refer to the installation section of this manual and to the chemical feeder equipment manual(s).

Detergent Dispenser (Fig. 22)

Terminals DPS1 and DPS2 are supplied with controlled machine line voltage. They are ON during the wash cycle and OFF between cycles or when the machine power supply is OFF. Maximum rating for detergent dispenser connected to DPS1 and DPS2 is 1.5 Amps at line voltage. Check the machine supply voltage and use corresponding feeder transformer voltage. Use UL listed 600 volt minimum insulated wire for the connections. Do not use bell wire, lamp cord or similar type wire. Splice connections, if required, must be made in the feeder transformer junction box – not in the main controls enclosure. Remove $\frac{7}{8}$ " diameter cap plug(s) for $\frac{1}{2}$ " trade size conduit fittings from the rear of the enclosure. Remove the side panel. Strain relief fittings must be provided for all wiring.

Rinse Aid / Sanitizer Dispenser(s) (Fig. 22)

Terminals RPS1 and RPS2 are supplied with controlled machine line voltage and are ON during the rinse cycle only. Maximum rating for rinse aid dispenser connected to RPS1 and RPS2 is 1.5 Amps at line voltage. Check the machine supply voltage and use corresponding feeder transformer voltage. Use UL listed 600 volt minimum insulated wire for the connections. Do not use bell wire, lamp cord or similar type wire. Splice connections, if required, must be made in the feeder transformer junction box (supplied by others) – not in the main controls enclosure. Remove $\frac{7}{8}$ " diameter cap plug(s) for $\frac{1}{2}$ " trade size conduit fittings from the rear of the enclosure. Strain relief fittings must be provided for all wiring.

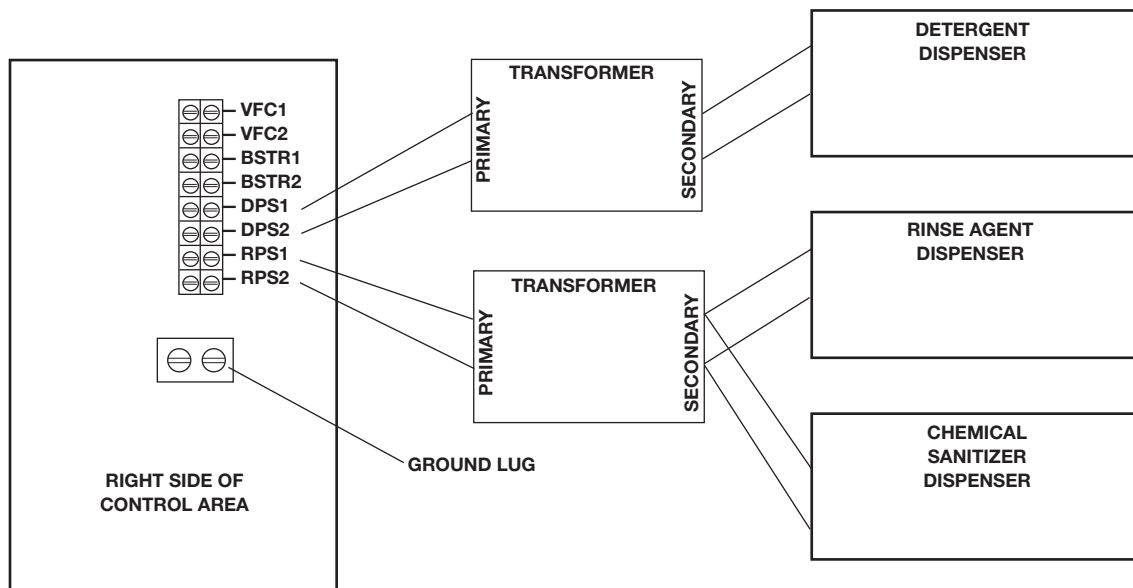


Fig. 22

SETUP (All Models)

Sanitizing Mode

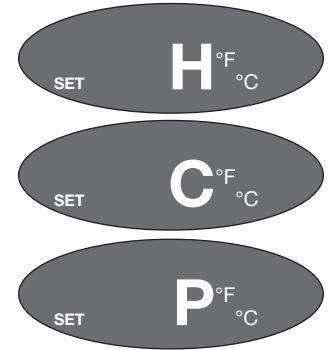
- With the machine OFF, press the ON key.
- Immediately press and hold the OFF key.

The display initializes until **88** displays.

Next, *SET X*^{°F}/_{°C} displays. **X** can be H, C or P:

<p>H = Hot Water Sanitizing, Internal Booster. C = Chemical Sanitizing, No Booster. P = Hot Water Sanitizing, External Booster.</p>
--

- Press CYCLE to select P, H, or C as the sanitizing mode.
After 5 seconds, the selection is saved and the machine turns off.



End of Cycle Buzzer

- With the machine OFF, press the ON key.
- Immediately press and hold the OFF key.

The display initializes until **88** displays.

Next, *SET X*^{°F}/_{°C} displays. **X** can be P, H or C. (See above).

- Press and hold the OFF key.

Next, *SET WASH XX* displays. **XX** can be On or OF:

<p><i>SET WASH On</i> = End of Cycle Buzzer is ON. <i>SET WASH OF</i> = End of Cycle Buzzer is OFF.</p>

- Press CYCLE to select On or OF for the End of Cycle Buzzer.
After 5 seconds, the selection is saved and the machine turns off.

SHORTCUT IF
PROGRAMMING BOTH FEATURES
AT THE SAME TIME.



OPERATION

PREPARATION

The overflow tube must be in its proper location below the strainer pan (Fig. 23). Place the strainer pan and the strainer bucket in their proper positions (Fig. 24).

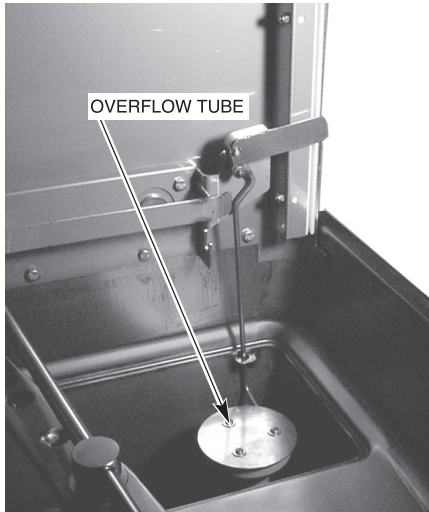


Fig. 23

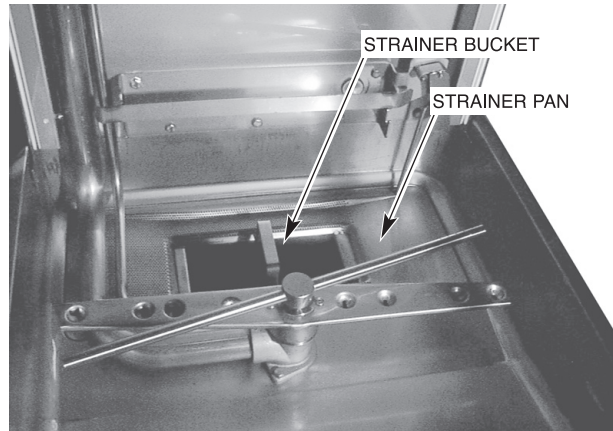


Fig. 24

An automatic detergent dispenser is recommended. Closely follow supplier's instructions.

Close the door; this will automatically close the drain.

Open the manual gas valve (if applicable). Press the ON button to turn the power on (Fig. 25). If the machine's door is closed and no water is in the tank, the fill cycle will begin automatically. During the fill cycle, the word FILL is displayed.

When the fill cycle has completed, the readout will display the wash temperature. During the rinse cycle, the rinse icon and temperature will be displayed. Select the wash cycle: 1 for normal serving ware, 2, 4 or 6 for pots and pans. Each wash cycle is followed by an automatic rinse. When the rinse cycle is complete, the door can be opened.



Fig. 25

DISHWASHING

Scrape the dishes to remove large particles of food and debris. Never use steel wool on ware to be loaded into the dishwasher.

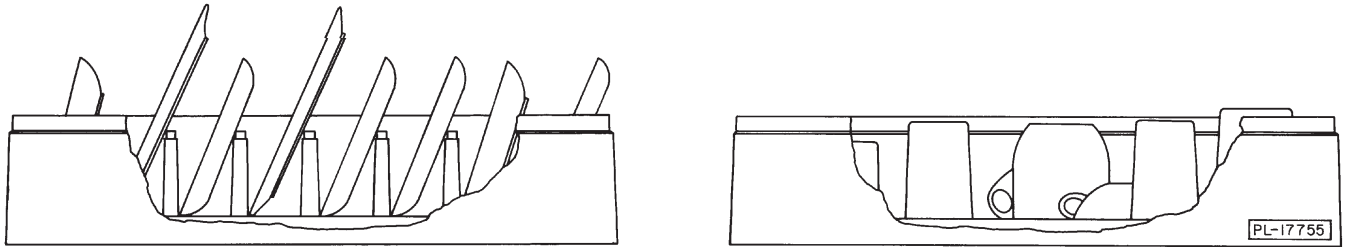


Fig. 26

Arrange the dishes in a rack. Do not stack dishes one on top of another, as water must have free access to all sides of every dish. Stand plates and dishes up edgewise in a peg-type rack (Fig. 26). Cups, glasses, and bowls should be inverted in an open-type or compartment type rack (Fig. 26). Silverware and other small pieces may be scattered loosely over the bottom of a flat bottom rack.

DO NOT allow foreign objects to enter the unit, especially metallic contaminants.

After filling a rack, open the door, slide the rack into the dishwasher and close the door.

Throughout the wash cycle, the tank water temperature will be displayed on the front panel display, along with the word WASH and an icon. During the rinse cycle, the rinse water temperature will be displayed, along with the word RINSE and an icon. When the rinse cycle is completed, the readout will display the tank water temperature.

When the cycle is finished and the rinse icon disappears, open the door, remove the clean dishes, slide in another rack and close the door.

To add a dish after the wash cycle has started, open the door slightly. Wait 10 seconds to allow the wash arm to coast down and to avoid water splashing before opening the door fully.

Operating temperatures for all models are as follows:

Sanitizing Mode	Wash Temperature		Rinse Temperature	
	Minimum Wash	Recommended Wash	Minimum Rinse	Recommended Rinse
Hot Water	150°F (66°C)	150°F (66°C)	180°F (82°C)	180°F (82°C)
Chemical	120°F (49°C)	140°F (60°C)	120°F (49°C)	140°F (60°C)

Model AM15F has a front loader door and loading tray. The machine can operate with the loader tray positioned vertical inside the chamber (up position) or positioned horizontal outside the chamber (down position).

CLEANING

The machine must be thoroughly cleaned at the end of each working shift or at least daily. Never use steel wool to clean warewasher surfaces. Use only products formulated to be safe on stainless steel.

1. Push the OFF button.
2. Open the machine door.
3. Clean off the dish tables into the dishwasher.
4. Drain the machine by lifting up the drain lever (Fig. 27).
5. Thoroughly cleanse and flush the dishwasher interior. Remove remaining soil with a soft cloth or brush and mild cleanser. Rinse again. Do not allow food soil to accumulate on the tank bottom.
6. Remove and empty the strainer pan and the strainer bucket. Wash and rinse them thoroughly.

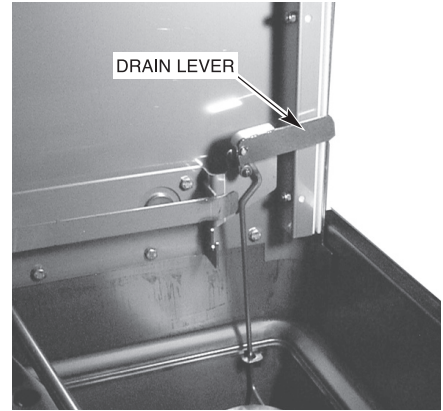


Fig. 27

7. Clean the pump cover with a soft cloth or brush. Do not allow food soil to accumulate on the tank bottom or to enter the drain.
8. Remove the overflow tube. Wash and rinse the overflow tube inside and out.
9. Make sure that the wash and rinse arms rotate freely and are free of any obstructions. If not, remove arms and clear out any obstructions.
10. Remove and check wash arms and rinse nozzles (Figs. 28, 29) to make sure they are free of any lime and solids. Refer to Maintenance, page 21.

NOTE: Do not bang wash arms or rinse arms to clean.

11. Replace all removed parts. Leave the machine door open to allow the interior to air out and dry.

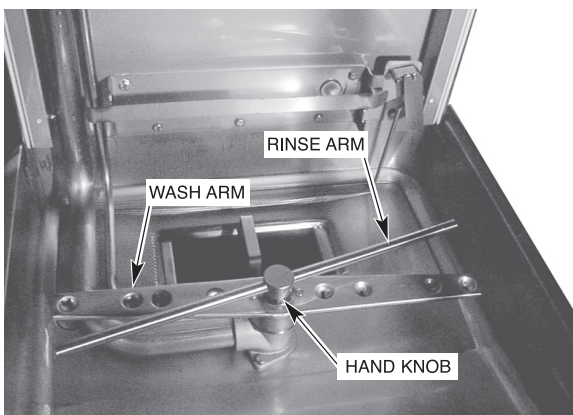


Fig. 28

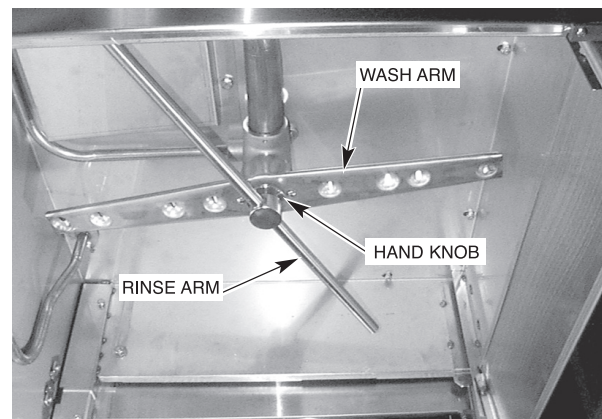


Fig. 29

DELIME INSTRUCTIONS

If the optional delime notification is activated and the DELIME light is on, follow the instructions, below. Delime is also necessary if deposits are visible inside or outside the machine.

DELIME INSTRUCTIONS

1. Remove rack, drain tank, press "OFF".
2. Press and hold "CYCLE" & "ON" for 3 seconds; close door, unit fills then indicates "ADD DELIME".
3. Open door & add delime agent per supplier instructions for 14 gallon tank.
4. Close door, pump starts & display flashes "DELIME". After 12 minutes display scrolls "DRAIN".
5. Check interior, close door to run additional cycles if necessary.
6. Drain tank, turn unit off.

DOs AND DON'Ts FOR YOUR NEW HOBART WAREWASHER

DO assure proper water hardness (3 grains or less per gallon is recommended).

DO pre-scrub dishes thoroughly.

DO use only detergents recommended by your chemical professional.

DO at the end of the day, thoroughly cleanse the machine, rinse and dry (leave door open).

DO closely follow your chemical professional's prescribed deliming schedule.

DO use only products formulated to be safe on stainless steel.

DO NOT use detergents formulated for residential dishwashers.

DO NOT allow food soil to accumulate on the tank bottom.

DO NOT exceed chemical manufacturer's recommended concentrations for detergent, sanitizer, rinse aid or lime scale remover.

DO NOT use steel wool to clean ware or warewasher surfaces.

DO NOT allow foreign objects to enter the unit, especially metallic contaminants such as paper clips, retainers, etc.

NOTE: Failure to follow use, care and maintenance instructions may void your Hobart warewasher warranty.

MAINTENANCE

WARNING: DISCONNECT THE ELECTRICAL POWER TO THE MACHINE (BOTH DISHWASHER AND BOOSTER IF APPLICABLE) AND FOLLOW LOCKOUT / TAGOUT PROCEDURES.

Wash Arms

Upper and lower wash and rinse arms (Figs. 28, 29) should turn freely and continue turning for a few seconds after being whirled by hand. To check, **DISCONNECT ELECTRICAL POWER SUPPLY (BOTH DISHWASHER AND BOOSTER IF APPLICABLE)**, rotate arms and remove any obstructions causing improper operation.

If either the strainer pan or the strainer bucket is not properly in place, obstructions (such as food particles or bones) may clog the wash arm nozzles. The wash arms are easily removed for cleaning.

To remove the lower wash arm, unscrew the hand knob and lift the rinse arm off (Fig. 28). The wash arm can be lifted off once the rinse arm is removed.

The upper wash and rinse arms are removed by unscrewing the hand knob (Fig. 29) and lowering both arms together. Be careful not to drop these arms.

Motor(s)

The wash pump motor and the blower motor used on gas heat machines are equipped with permanently lubricated bearings and require no lubrication maintenance.

Flue (Machines Equipped With Gas Tank Heat Only.)

When cool, check the flue opening every three months for obstructions.

TROUBLESHOOTING

Manual Reset Button on Pump Motor

If the pump motor becomes overheated, the thermal overload protector will cause the motor to not operate. If this occurs, contact Service.

To avoid a service call, check symptoms and related possible causes. If machine still does not operate properly, contact Service.

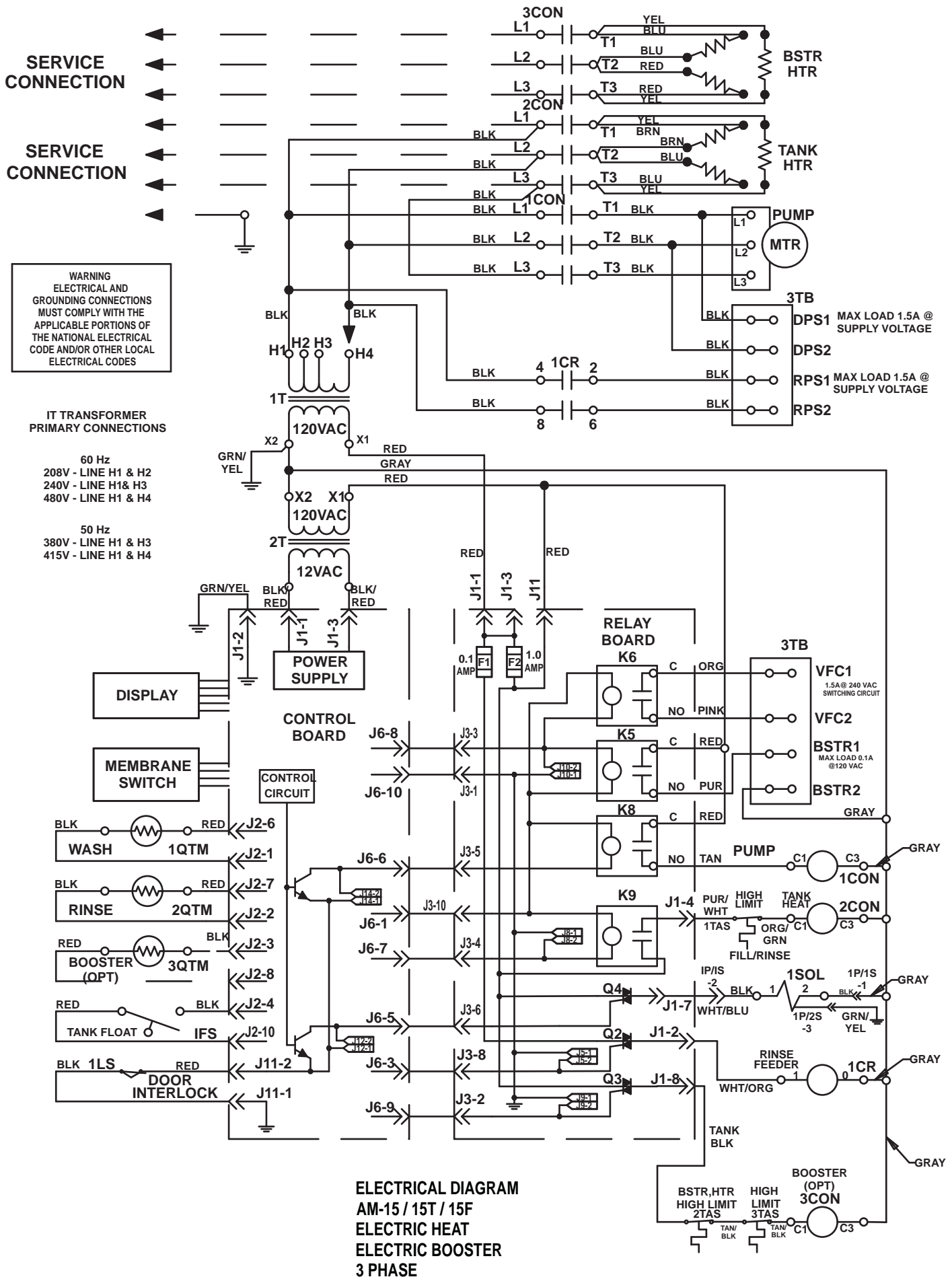
SYMPTOM	POSSIBLE CAUSE
No machine operation.	<ol style="list-style-type: none"> 1. Machine off, turn machine on. 2. Blown fuse or tripped circuit breaker at power supply. 3. Check tank water level.
Dishes not clean.	<ol style="list-style-type: none"> 1. Insufficient wash water due to drain obstruction preventing proper drain closing. 2. Worn or torn drain O-ring allowing wash water to drain. 3. Loss of water pressure due to pump obstruction. DISCONNECT ELECTRICAL POWER SUPPLY (BOTH DISHWASHER AND BOOSTER IF APPLICABLE) and drain tank. Check for any obstruction at the pump intake. 4. Incorrect water temperature. Contact Service for adjustment or repair. 5. Incorrect detergent dispensing. Contact your detergent representative. 6. Excessive mineral deposits throughout wash and rinse system. Deliming may be necessary, refer to page 20. 7. Check wash and rinse arms to make sure they rotate properly. 8. Strainers clogged causing inadequate water supply to pump; clean machine according to Cleaning, page 19. 9. Obstruction in wash arms or wash arms will not turn; clean machine according to Cleaning, page 19. 10. Detergent dispenser may be clogged. 11. Excessive soil quantity; scrape dishes before cycle. 12. Improper rack loading; refer to Preparation and Dishwashing, pages 17, 18. 13. Incoming water supply turned off.
Spotting silverware, glasses and dishes.	<ol style="list-style-type: none"> 1. Improperly loaded racks. 2. Incorrect rinse water temperature or rinse pressure. 3. Loss of water pressure due to pump obstruction. DISCONNECT ELECTRICAL POWER SUPPLY (BOTH DISHWASHER AND BOOSTER IF APPLICABLE) and drain tank. Check for any obstruction at the pump intake. 4. Excessively hard water. 5. Incorrect detergent for water type. 6. Incorrect rinse additive for water type. 7. Incorrect concentration of detergent, rinse additive and/or sanitizer. 8. Excessive soil quantity; scrape dishes before cycle.

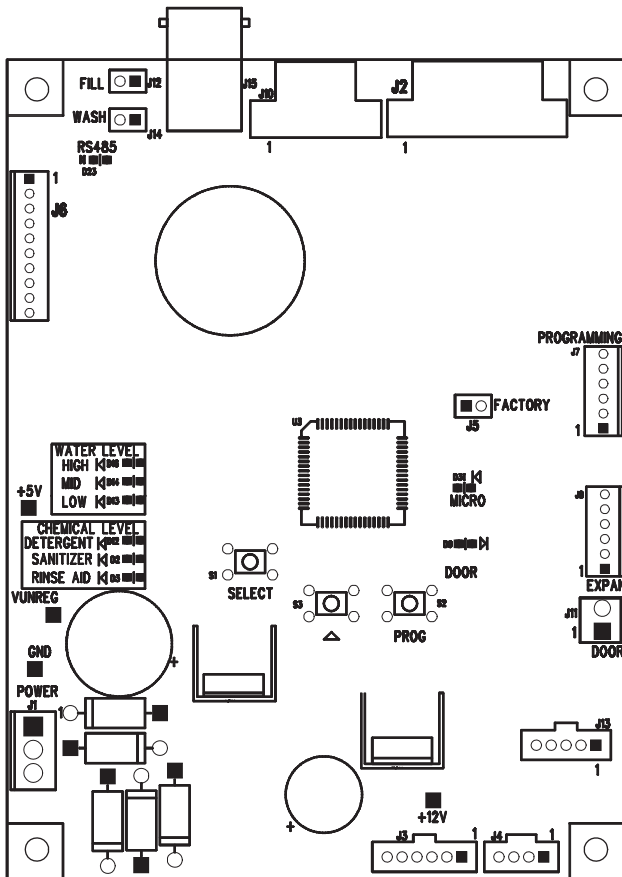
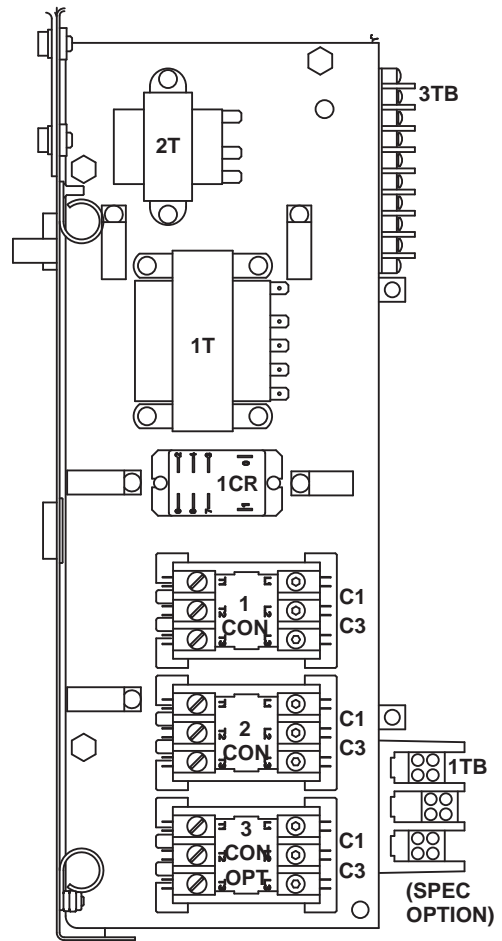
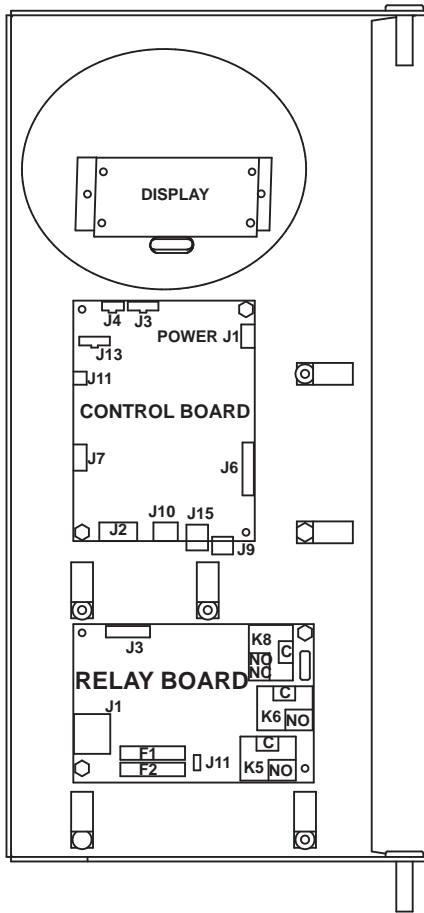
SYMPTOM**POSSIBLE CAUSE**

<p>Inadequate rinse or rinse water temperature too low. Possible EE display.</p>	<ol style="list-style-type: none"> 1. Dirty line strainer causing reduced water flow. Turn off water supply, remove strainer cap, withdraw and clean screen. Reassemble. 2. Low supply line pressure. 3. Excessive mineral deposits throughout wash and rinse system. Deliming may be necessary, refer to page 20. 4. Incoming water temperature to booster (if applicable) below 110°F. Machine will automatically extend wash time until booster heats up (this applies to booster equipped machines only). 5. If EE displays: Booster did not reach temperature within 8 minutes after initial fill. Press OFF, wait 5 seconds and press ON. May be booster heater failure.
<p>Leaking valve.</p>	<ol style="list-style-type: none"> 1. Foreign material preventing proper valve operation. NOTE: A critical period is soon after installation when pipe compound or metal shavings may lodge at the valve seat. Shut off supply line. Unscrew and lift bonnet from valve body. Clean valve and reassemble. 2. If a solenoid valve is malfunctioning (not opening or not closing), it is recommended that you contact Hobart Service.
<p>No wash tank heat.</p>	<ol style="list-style-type: none"> 1. The machine is equipped with a low water safety device which shuts off heat if the water level drops. Check for proper water level. If the water level is too low, the overflow tube might be out of position. Or, something may be inhibiting free movement of the low water float; remove any foreign object from around the low water float or its magnet. 2. Gas line closed. 3. Blown fuse or tripped circuit breaker at power supply. If a failure occurs due to the gas heat control board or gas pressure, contact Hobart Service.
<p>No or slow fill. Possible E2 display.</p>	<ol style="list-style-type: none"> 1. Debris may be obstructing standpipe movement allowing fill water to drain. 2. Water supply may be off; make sure water supply valve is open. 3. Dirty line strainer causing reduced water flow. Turn off water supply, remove strainer cap, withdraw and clean screen. Reassemble. 4. Worn or torn drain O-ring allowing wash water to drain. 5. If E2 displays: Water did not reach the float during a fill within 2.5 minutes. Press OFF, wait 5 seconds and press ON.
<p>Possible Ed display.</p>	<ol style="list-style-type: none"> 1. Slow leak. Make sure the drain lever is closed, the standpipe is seated and the O-ring is clear of all food soil or other debris.
<p>Dribbling water from lower rinse arm.</p>	<ol style="list-style-type: none"> 1. If equipped with electric booster, normal dripping from the lower rinse arm will occur during water heating due to expansion of the water. This will occur once between machine cycles. 2. If water dribbles or leaks continuously from rinse arms on any machine, refer to Leaking Valve, above.
<p>Possible E6 display.</p>	<ol style="list-style-type: none"> 1. Contact your local Hobart Service Office.
<p>Wrench lights up and P1, P2 or P3 displays.</p>	<ol style="list-style-type: none"> 1. Contact your local Hobart Service Office.

SERVICE

Contact your local Hobart-authorized service office for any repairs or adjustments needed on this equipment. If a gas orifice fitting is to be replaced, have it serviced by qualified Hobart-authorized service personnel. Long-term service contracts are available on this and other Hobart products. Call 1-888-4HOBART for Hobart Service 24 hours a day.





LEGEND	
TEST PINS =	
TEST PAD =	
SWITCH =	
LED =	

CONTROL BOARD

AI2695



CATALOG OF REPLACEMENT PARTS



DISHWASHER

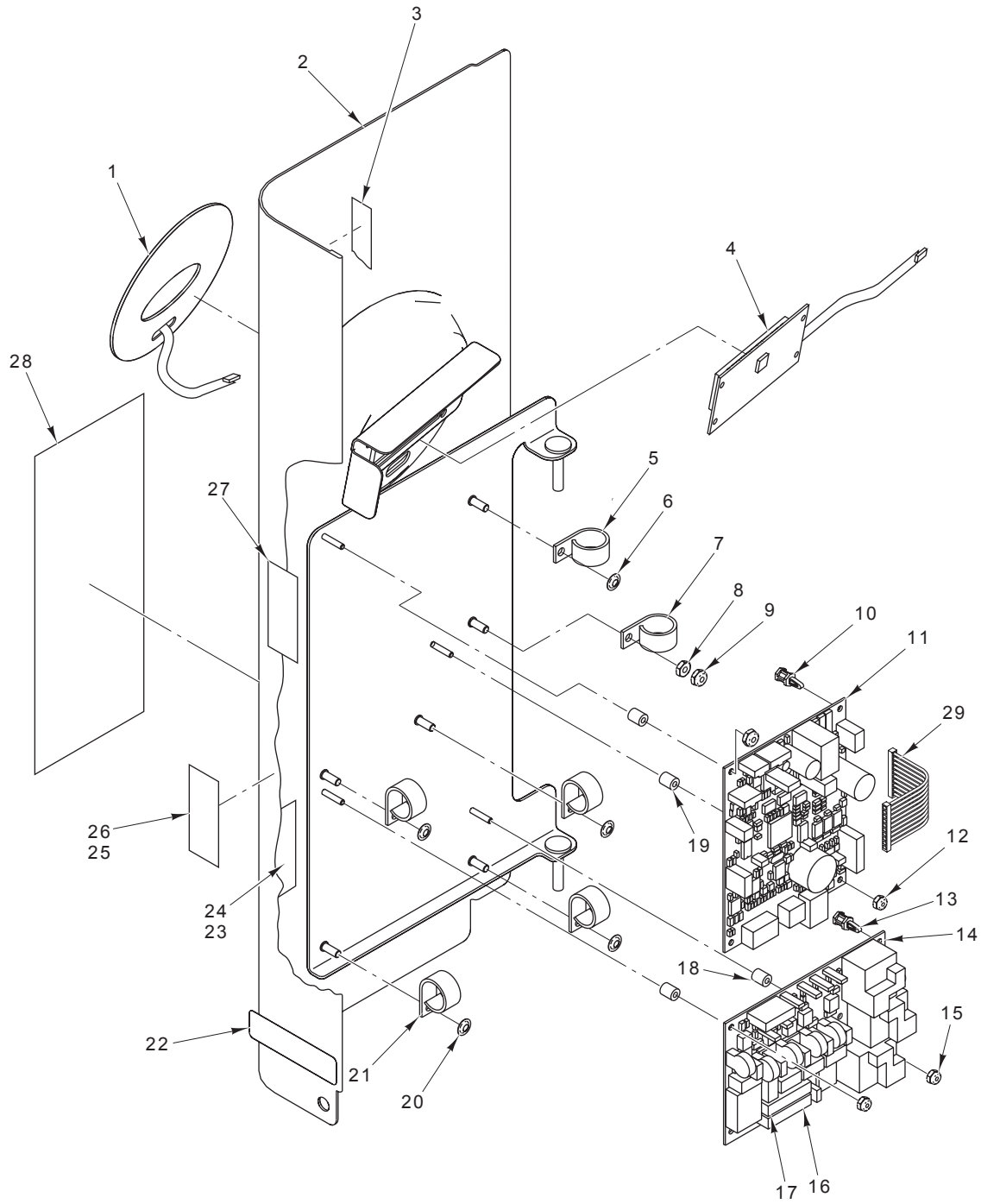
AM15	ML-130038
AM15T	ML-130039
AM15F	ML-130045

A product of HOBART 701 S. RIDGE AVENUE TROY, OHIO 45374-0001

FORM 43094 (October 2004)

Table of Contents

5	CONTROLS
7	CONTROL BOX (ELECTRIC HEAT)
9	CONTROL BOX (GAS HEAT)
11	MOTOR AND PUMP
13	UPPER WASH ARM
15	LOWER WASH ARM
17	INSIDE PIPING AND OUTSIDE RINSE PIPING (W/O BOOSTER)
19	INSIDE PIPING AND OUTSIDE RINSE PIPING (W/BOOSTER)
21	ELECTRIC BOOSTER TANK
23	LOW WATER PROTECTION AND ELECTRIC HEAT
25	DRAIN UNIT
27	DOOR ASSEMBLY (AM15)
29	DOOR ASSEMBLY (AM15T & AM15F)
31	PANELS AND RACK SUPPORT
32	FRONT TRAY (AM15F)
33	GAS HEAT PIPING
35	GAS HEAT COMPONENTS
36	DISH RACKS

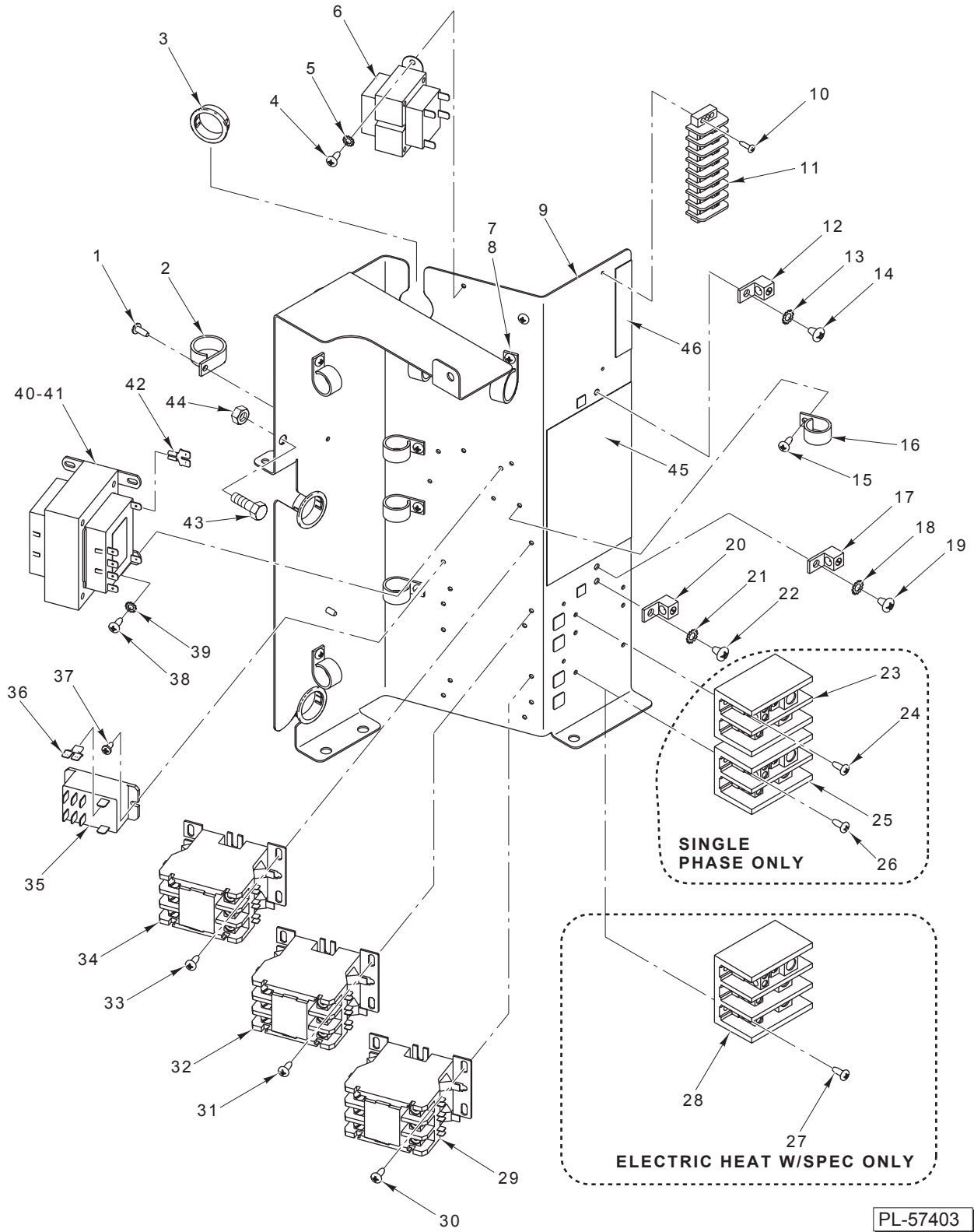


PL-57404

CONTROLS

CONTROLS

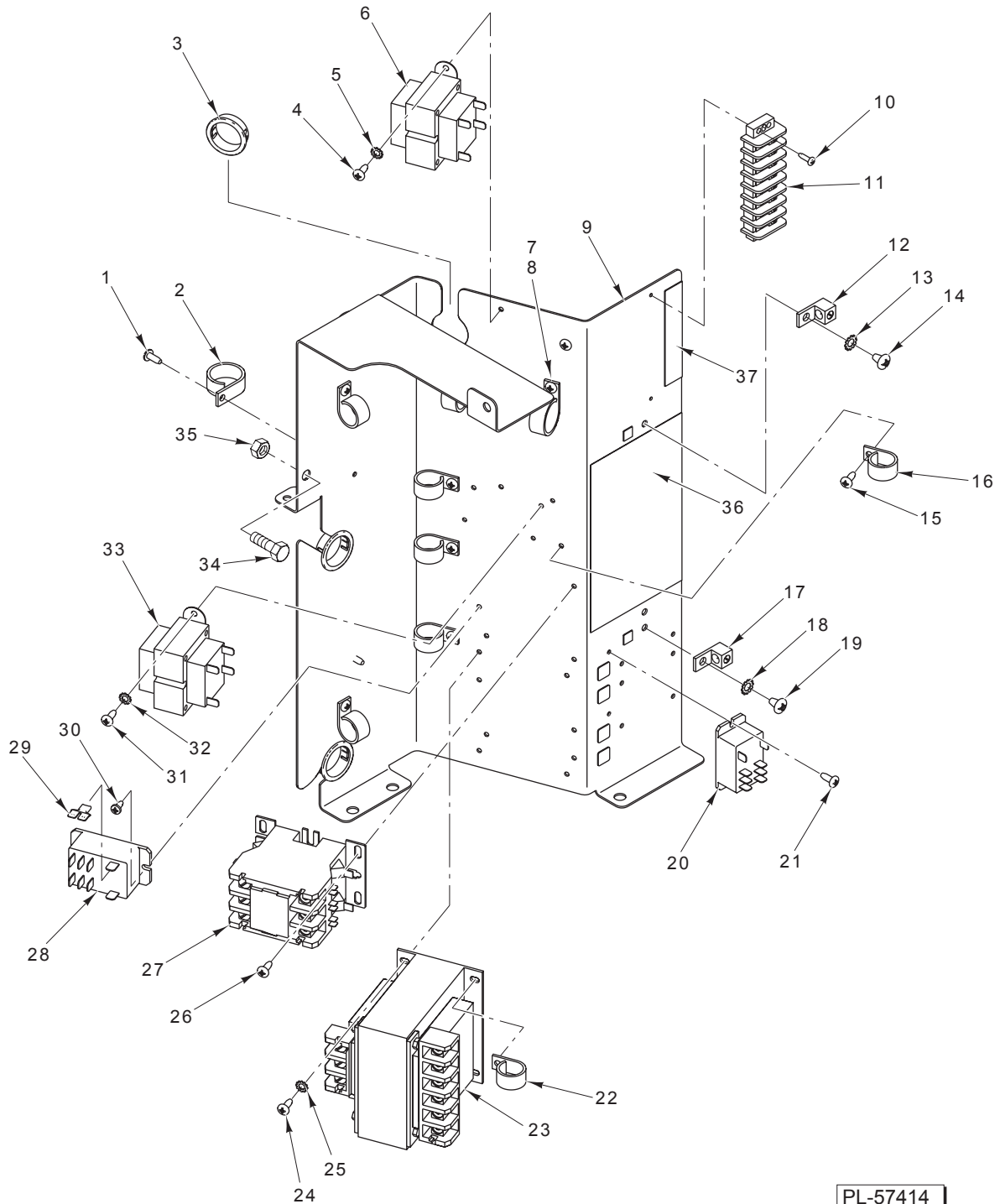
ILLUS.	PART NO.	NAME OF PART	AMT.
PL-57404			
1	00-893113	Switch – Membrane Keypad.....	1
2	-	Bezel – Display Weldment.....	1
3	00-526454	Tape – Foam	AR
4	00-892458	Module – Display	1
5	00-294677-00003	Clamp – Wire	1
6	NS-047-94	Lock Nut ³ / ₁₆ Washer Type	1
7	00-294677-00003	Clamp – Wire	1
8	NS-011-18	Nut 10-24 Hex	1
9	NS-031-16	Stop Nut 10-24 Hex	1
10	00-892720-00002	Standoff	2
11	00-892932	Board – Control Assy.	1
12	NS-031-50	Stop Nut 6-32 Hex	2
13	00-892720-00002	Standoff	2
14	00-892934-00001	Board – Relay Assy.	1
15	NS-031-50	Stop Nut 6-32 Hex	2
16	FE-022-29	Fuse (250 V., 1.0 Amp.)	1
17	FE-026-30	Fuse (250 V., 0.1 Amp.)	1
18	00-118349-00007	Standoff – Reed Board (Relay Board)	2
19	00-118349-00007	Standoff – Reed Board (Control Board).....	2
20	NS-047-94	Lock Nut ³ / ₁₆ Washer Type	4
21	00-294677-00003	Clamp – Wire	4
22	00-893642	Plate (Patent Numbers).....	1
23	0F-035324	Label – Warning (Fuse) (Electric Heat)	1
24	0F-035373	Label – Warning (Fuse) (Gas Heat)	1
25	00-438131-00060	Label – Warning (W/Electric Booster)	1
26	00-438131-00042	Label – Warning (W/Gas Heat, W/Electric Booster S.P.E.C., or W/O Electric Booster) .	1
27	0F-035331	Label (Error Code)	1
28	00-438131-00175	Label – Instruction	1
29	00-892793-00002	Ribbon Cable Assy.	1
	00-893447	Harness – Sensor Assy.	1
	00-893448	Harness – Relay Board Assy.	1
	00-893125	Cable – Rinse Thermistor	1
	00-893126-00001	Cable – Rinse Valve (Without Electric Booster)	1
	00-893126-00002	Cable – Rinse Valve (With Electric Booster)	1



CONTROL BOX (ELECTRIC HEAT)

CONTROL BOX (ELECTRIC HEAT)

ILLUS. PL-57403	PART NO.	NAME OF PART	AMT.
1	SD-008-25	Self-Tapping Screw 10-16 x 1/2 Phil. Pan Hd., Type B	3
2	00-294677-00004	Clamp – Wire	3
3	FE-026-29	Bushing – Snap (Electrical)	3
4	SD-008-25	Self-Tapping Screw 10-16 x 1/2 Phil. Pan Hd., Type B	2
5	WL-014-07	Lockwasher #10 External	1
6	00-294500-00051	Transformer (30 VA, 50/60 Hz.)	1
7	SD-008-25	Self-Tapping Screw 10-16 x 1/2 Phil. Pan Hd., Type B	2
8	00-294677-00004	Clamp – Wire	2
9	00-893651	Box – Control	1
10	SD-019-29	Self-Tapping Screw 6-20 x 1/2 Phil. Pan Hd., Type B	2
11	00-893065	Block – Terminal (Double Row)	1
12	00-118544-00002	Lug – Solderless	1
13	WL-007-15	Lockwasher 1/4 External	1
14	SD-035-77	Self-Tapping Screw 1/4-20 x 3/8 Phil. Pan Hd., Type TT	1
15	SD-008-25	Self-Tapping Screw 10-16 x 1/2 Phil. Pan Hd., Type B	6
16	00-294677-00003	Clamp – Wire	6
17	00-118544-00002	Lug – Solderless (Electric Booster)	1
18	WL-007-15	Lockwasher 1/4 External (Electric Booster)	1
19	SD-035-77	Self-Tapping Screw 1/4-20 x 3/8 Phil. Pan Hd., Type TT (Electric Booster)	1
20	00-118544-00002	Lug – Solderless	1
21	WL-007-15	Lockwasher 1/4 External	1
22	SD-035-77	Self-Tapping Screw 1/4-20 x 3/8 Phil. Pan Hd., Type TT	1
23	00-294325-00022	Block – Terminal (1 Ph.)	1
24	SD-008-25	Self-Tapping Screw 10-16 x 1/2 Phil. Pan Hd., Type B (1 Ph.)	2
25	00-294325-00022	Block – Terminal (Electric Booster) (1 Ph.)	1
26	SD-008-25	Self-Tapping Screw 10-16 x 1/2 Phil. Pan Hd., Type B (Electric Booster) (1 Ph.)	2
27	SD-008-25	Self-Tapping Screw 10-16 x 1/2 Phil. Pan Hd., Type B (Electric Heat W/S.P.E.C.)	4
28	00-119031	Block – Terminal (Electric Heat W/S.P.E.C.)	1
29	00-087713-041-2	Contactora (40 Amp., 3-Pole, 120 V.) (Electric Booster)	1
30	SD-008-25	Self-Tapping Screw 10-16 x 1/2 Phil. Pan Hd., Type B (Electric Booster)	2
31	SD-008-25	Self-Tapping Screw 10-16 x 1/2 Phil. Pan Hd., Type B	2
32	00-087713-108-1	Contactora (25 Amp., 3-Pole)	1
33	SD-008-25	Self-Tapping Screw 10-16 x 1/2 Phil. Pan Hd., Type B	2
34	00-087713-108-1	Contactora (25 Amp., 3-Pole)	1
35	00-087714-046-1	Relay (30 Amp., 2-Pole)	1
36	FE-026-26	Adapter – Electrical	1
37	SD-008-18	Self-Tapping Screw 8-18 x 3/8 Phil. Bndg. Hd., Type B	2
38	SD-008-25	Self-Tapping Screw 10-16 x 1/2 Phil. Pan Hd., Type B	4
39	WL-014-07	Lockwasher #10 External	1
40	00-294500-052-1	Transformer (208/240/480 V., 50/60 Hz.)	1
41	00-294500-052-2	Transformer (380/415 V., 50/60 Hz.)	1
42	FE-026-26	Adapter – Electrical	1
43	SC-041-14	Cap Screw 5/16-18 x 1 1/8 Hex Hd.	4
44	NS-036-19	Stop 5/16-18 Nut Hex	4
45	0F-035369	Label – Rinse Feeder	1
46	0F-035319	Label – Terminal Block	1

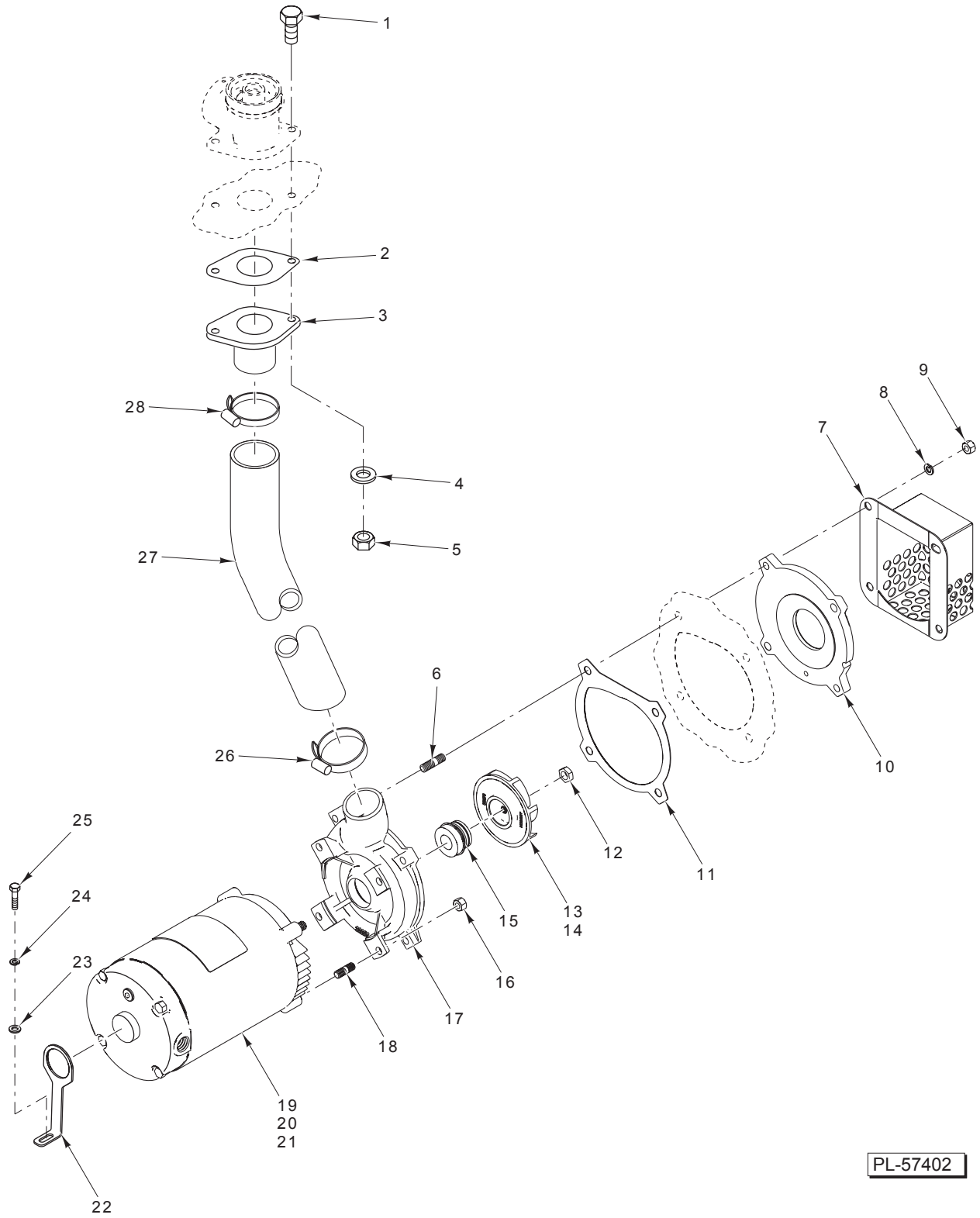


PL-57414

CONTROL BOX (GAS HEAT)

CONTROL BOX (GAS HEAT)

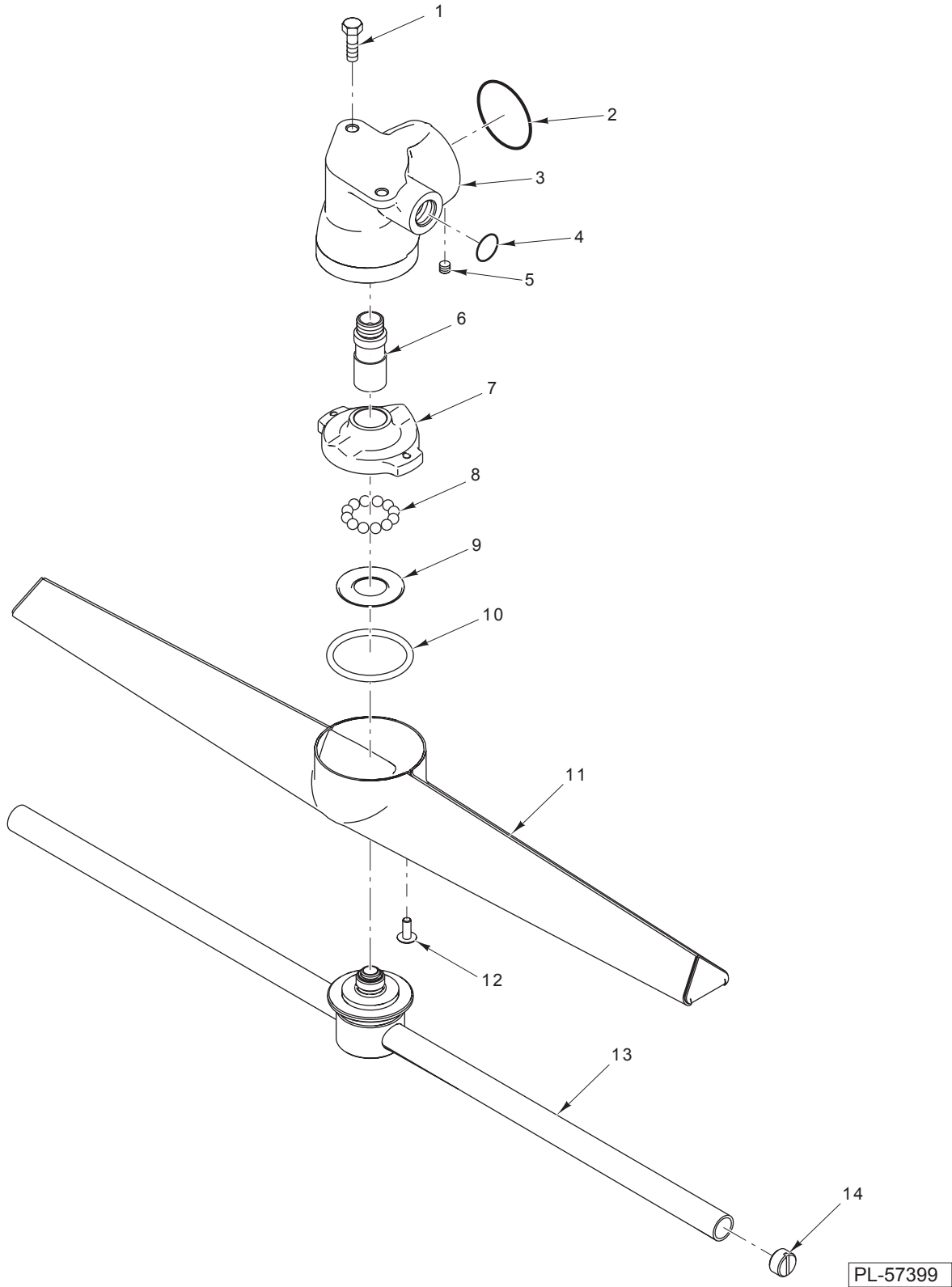
ILLUS.	PART NO.	NAME OF PART	AMT.
1	SD-008-25	Self-Tapping Screw 10-16 x 1/2 Phil. Pan Hd., Type B	3
2	00-294677-00004	Clamp – Wire	3
3	FE-026-29	Bushing – Snap (Electrical)	3
4	SD-008-25	Self-Tapping Screw 10-16 x 1/2 Phil. Pan Hd., Type B	2
5	WL-014-07	Lockwasher #10 External	1
6	00-294500-00051	Transformer (30 VA, 50/60 Hz.)	1
7	SD-008-25	Self-Tapping Screw 10-16 x 1/2 Phil. Pan Hd., Type B	2
8	00-294677-00004	Clamp – Wire	2
9	00-893651	Box – Control	1
10	SD-019-29	Self-Tapping Screw 6-20 x 1/2 Phil. Pan Hd., Type B	2
11	00-893065	Block – Terminal (Double Row)	1
12	00-118544-00002	Lug – Solderless	1
13	WL-007-15	Lockwasher 1/4 External	1
14	SD-035-77	Self-Tapping Screw 1/4-20 x 3/8 Phil. Pan Hd., Type TT	1
15	SD-008-25	Self-Tapping Screw 10-16 x 1/2 Phil. Pan Hd., Type B	6
16	00-294677-00003	Clamp – Wire	6
17	00-118544-00002	Lug – Solderless	1
18	WL-007-15	Lockwasher 1/4 External	1
19	SD-035-77	Self-Tapping Screw 1/4-20 x 3/8 Phil. Pan Hd., Type TT	1
20	00-087714-046-1	Relay (30 Amp., 2-Pole)	1
21	SD-008-18	Self-Tapping Screw 8-18 x 3/8 Phil. Bndg. Hd., Type B	2
22	00-294677-00003	Clamp – Wire	2
23	00-294500-046-2	Transformer (300 VA, 50/60 Hz.)	1
24	SD-008-25	Self-Tapping Screw 10-16 x 1/2 Phil. Pan Hd., Type B	4
25	WL-014-07	Lockwasher #10 External	1
26	SD-008-25	Self-Tapping Screw 10-16 x 1/2 Phil. Pan Hd., Type B	2
27	00-087713-108-1	Contact (25 Amp., 3-Pole)	1
28	00-087714-046-1	Relay (30 Amp., 2-Pole)	1
29	FE-026-26	Adapter – Electrical	1
30	SD-008-18	Self-Tapping Screw 8-18 x 3/8 Phil. Bndg. Hd., Type B	2
31	SD-008-25	Self-Tapping Screw 10-16 x 1/2 Phil. Pan Hd., Type B	2
32	WL-014-07	Lockwasher #10 External	1
33	00-294500-040-1	Transformer (30 VA, 50/60 Hz.)	1
34	SC-041-14	Cap Screw 5/16-18 x 1 1/8 Hex Hd.	4
35	NS-036-19	Stop 5/16-18 Nut Hex	4
36	0F-035372	Label – Service Ampacity	1
37	0F-035319	Label – Terminal Block	1
	00-893874	Harness – Gas Heat	1



MOTOR AND PUMP

MOTOR AND PUMP

ILLUS. PL-57402	PART NO.	NAME OF PART	AMT.
1	SC-041-14	Cap Screw ⁵ / ₁₆ -18 x 1 ¹ / ₈ Hex Hd.	2
2	00-893103	Gasket – Adapter	1
3	00-893102-00001	Adapter – Pump to Manifold	1
4	WS-017-01	Washer	2
5	NS-036-19	Stop Nut ⁵ / ₁₆ -18 Hex	2
6	00-893039-00006	Stud ³ / ₈ -16 x 1 ⁵ / ₈	4
7	00-893063	Screen – Pump	1
8	WL-006-28	Lockwasher ³ / ₈ Helical	4
9	00-893039-00012	Nut ³ / ₈ -16 Hex	4
10	00-893039-00005	Face – Pump Inside	1
11	00-893039-00004	Gasket – Pump to Tank	1
12	00-893039-00003	Jam Nut ⁷ / ₁₆ -20 Hex	1
13	00-893039-00002	Impeller (60 Hz.)	1
14	00-893039-00011	Impeller (50 Hz.)	1
15	00-274227-00006	Seal – Shaft	1
16	00-893039-00012	Nut ³ / ₈ -16 Hex	4
17	00-893039-00001	Involute	1
18	00-893039-00007	Stud ³ / ₈ -16 x 1 ¹ / ₈	4
19	00-893039-00008	Motor (208-240/480 V., 60 Hz., 3 Ph.)	1
20	00-893039-00009	Motor (208-240 V., 60 Hz., 1 Ph.)	1
21	00-893039-00010	Motor (240/380 V., 50 Hz., 3 Ph.)	1
22	00-893035	Brace – Pump	1
23	WS-017-01	Washer	1
24	WL-006-23	Lockwasher ⁵ / ₁₆ Helical	1
25	SC-041-11	Cap Screw ⁵ / ₁₆ -18 x ³ / ₄ Hex Hd.	1
26	00-542337	Clamp – Hose	1
27	00-893024	Hose – Discharge	1
28	00-542337	Clamp – Hose	1

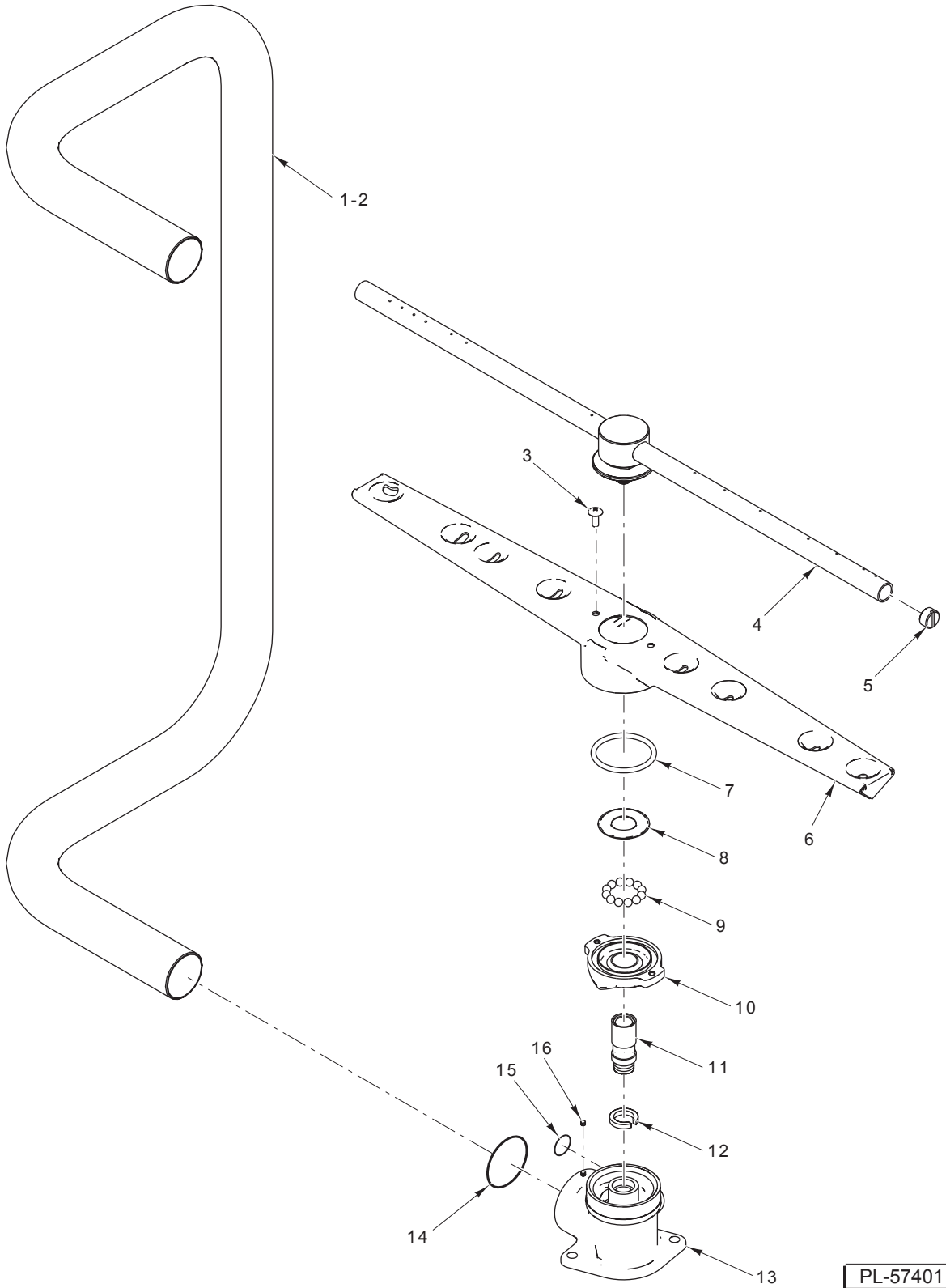


PL-57399

UPPER WASH ARM

UPPER WASH ARM

ILLUS.	PART NO.	NAME OF PART	AMT.
PL-57399			
1	SC-125-20	Cap Screw ⁵ / ₁₆ -18 x ³ / ₈ Hex Hd.	2
2	00-067500-00110	O-Ring	1
3	00-893031	Manifold – Wash (Upper)	1
4	00-067500-00117	O-Ring	1
5	SC-055-01	Set Screw 10-24 x ¹ / ₄ Hex Hdls., Cup Pt.	1
6	00-893052	Shaft – Rinse Arm	1
7	00-893033	Hub – Wash Arm	1
8	BA-002-40	Ball	13
9	00-286947	Retainer – Ball	1
10	00-067500-00019	O-Ring	1
11	00-893007	Arm – Wash	1
12	SC-066-06	Mach. Screw 10-24 x ¹ / ₂ Phil. Truss Hd.	2
13	00-893093-00001	Arm – Rinse (Incls. Item 14)	1
14	00-893093-00002	Plug – Rinse Arm	2
	00-893008	Wash Arm Assy. (Incls. Items 7 thru 12)	1

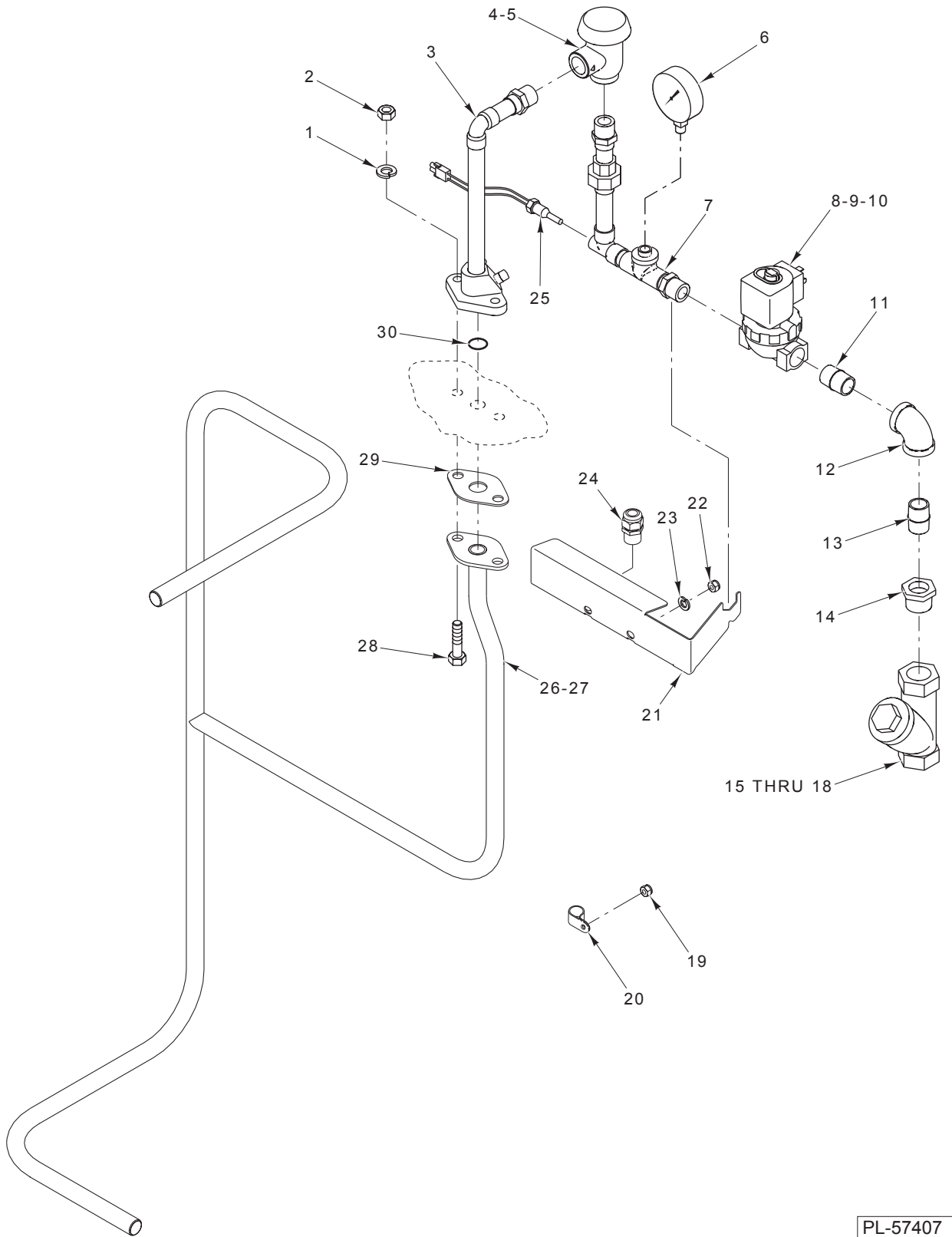


PL-57401

LOWER WASH ARM

LOWER WASH ARM

ILLUS. PL-57401	PART NO.	NAME OF PART	AMT.
1	00-893032	Tube – Wash (AM15).....	1
2	00-893032-00002	Tube – Wash (AM15T & AM15F).....	1
3	SC-066-06	Mach. Screw 10-24 x 1/2 Phil. Truss Hd.	2
4	00-893093-00001	Arm – Rinse (Incls. Item 5).....	1
5	00-893093-00002	Plug – Rinse Arm.....	2
6	00-893007	Arm – Wash.....	1
7	00-067500-00019	O-Ring.....	1
8	00-286947	Retainer – Ball.....	1
9	BA-002-40	Ball.....	13
10	00-893033	Hub – Wash Arm.....	1
11	00-893052	Shaft – Rinse Arm.....	1
12	00-893044	Bushing – Wash Arm.....	1
13	00-893030	Manifold – Wash (Lower).....	1
14	00-067500-00110	O-Ring.....	1
15	00-067500-00117	O-Ring.....	1
16	SC-055-01	Set Screw 10-24 x 1/4 Hex Hdls., Cup Pt.....	2
	00-893008	Wash Arm Assy. (Incls. Items 3 & 6 thru 10).....	1

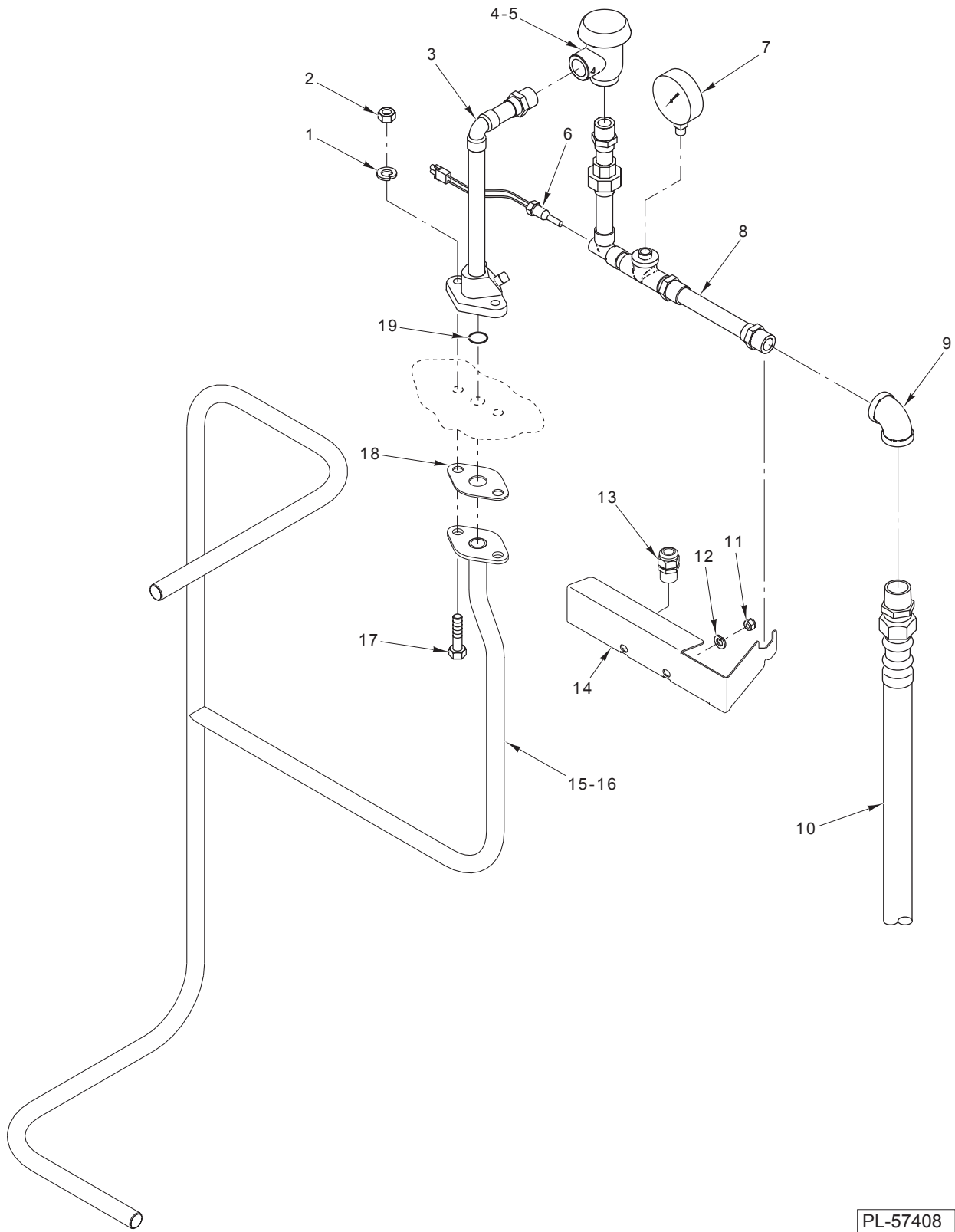


PL-57407

INSIDE PIPING AND OUTSIDE RINSE PIPING (W/O BOOSTER)

INSIDE PIPING AND OUTSIDE RINSE PIPING (W/O BOOSTER)

ILLUS. PL-57407	PART NO.	NAME OF PART	AMT.
1	WL-006-23	Lockwasher ⁵ / ₁₆ Helical	2
2	NS-036-19	Stop Nut ⁵ / ₁₆ -18 Hex	2
3	00-893054	Piping – Fill	1
4	00-292909	Breaker – Vacuum	1
5	00-292910	Kit – Vacuum Breaker	1
6	00-328247	Gauge – Water Pressure	1
7	00-893058	Fill Piping Assy.	1
8	00-893100-00001	Valve – Solenoid (¹ / ₂ In.) (120 V.)	1
9	00-892132	Coil – Solenoid Valve (120 V.)	1
10	00-893101	Kit – Solenoid Valve	1
11	FP-040-44	Pipe ¹ / ₂ x 1 ³ / ₈ TBE (Brass)	1
12	FP-015-16	Elbow – Pipe ¹ / ₂ x 90 Deg. (Brass)	1
13	FP-040-42	Pipe ¹ / ₂ x 1 ¹ / ₄ TBE (Brass)	1
14	FP-027-22	Bushing – Pipe ³ / ₄ to ¹ / ₂ (Brass)	1
15	00-186922	Strainer – Line (³ / ₄ In.) (Brass)	1
16	00-186923	Plug – Branch	1
17	00-186925	Screen – Line Strainer	1
18	00-186924	Gasket – Branch Plug	1
19	NS-047-94	Lock Nut ³ / ₁₆ Washer Type	1
20	00-294677-00004	Clamp – Wire	1
21	00-893053	Bracket – Fill Piping	1
22	NS-015-11	Nut ⁵ / ₁₆ -18 Hex	2
23	WL-006-23	Lockwasher ⁵ / ₁₆ Helical	2
24	FE-022-84	Strain Relief	2
25	00-328994	Probe Assy. – Rinse	1
26	00-893038-00001	Inside Rinse Piping Assy. (AM15)	1
27	00-893038-00004	Inside Rinse Piping Assy. (AM15T & AM15F)	1
28	SC-041-12	Cap Screw ⁵ / ₁₆ -18 x ⁷ / ₈ Hex Hd.	2
29	00-276407	Gasket	1
30	00-067500-00012	O-Ring	1

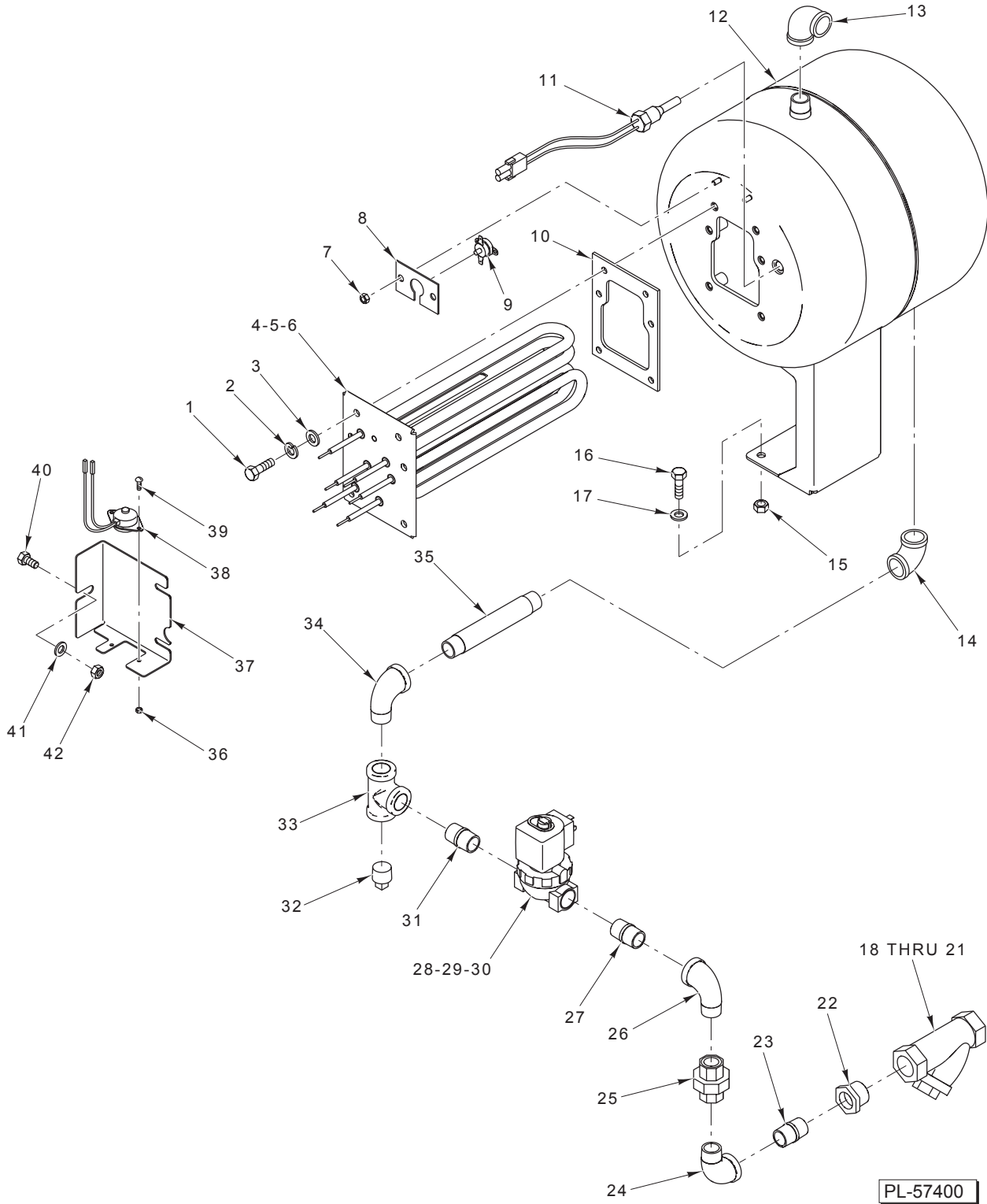


PL-57408

INSIDE PIPING AND OUTSIDE RINSE PIPING (W/BOOSTER)

INSIDE PIPING AND OUTSIDE RINSE PIPING (W/BOOSTER)

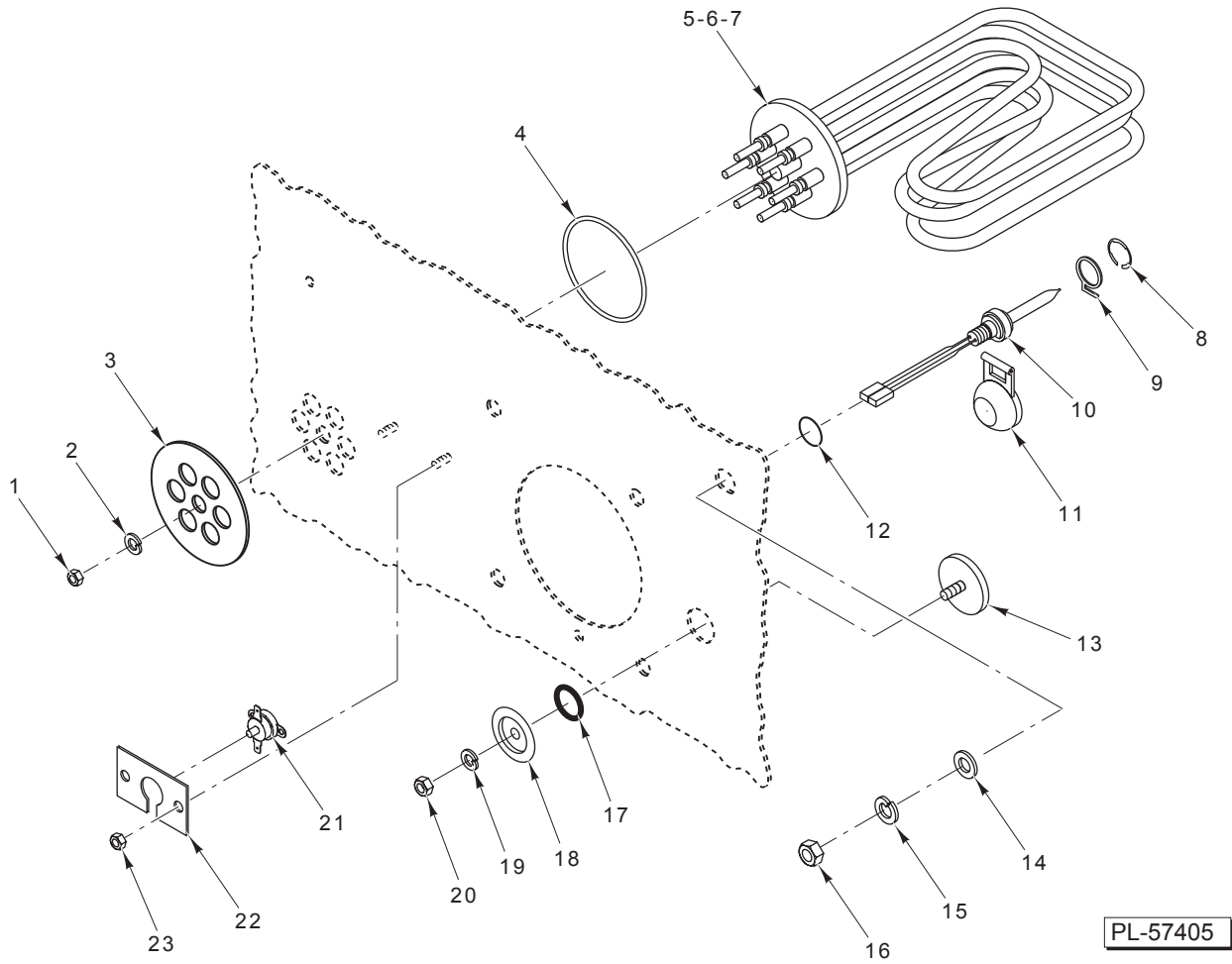
ILLUS.	PART NO.	NAME OF PART	AMT.
	PL-57408		
1	WL-006-23	Lockwasher ⁵ / ₁₆ Helical	2
2	NS-036-19	Stop Nut ⁵ / ₁₆ -18 Hex	2
3	00-893054	Piping – Fill	1
4	00-292909	Breaker – Vacuum	1
5	00-292910	Kit – Vacuum Breaker	1
6	00-328994	Probe Assy. – Rinse	1
7	00-328247	Gauge – Water Pressure	1
8	00-893059	Fill Piping Assy.	1
9	FP-015-16	Elbow – Pipe ¹ / ₂ x 90 Deg. (Brass)	1
10	00-893444-00002	Hose – Water ¹ / ₂ x 84 In. Braided (SST)	1
11	NS-015-11	Nut ⁵ / ₁₆ -18 Hex	2
12	WL-006-23	Lockwasher ⁵ / ₁₆ Helical	2
13	FE-022-84	Strain Relief	1
14	00-893053	Bracket – Fill Piping	1
15	00-893038-00001	Inside Rinse Piping Assy. (AM15)	1
16	00-893038-00004	Inside Rinse Piping Assy. (AM15T & AM15F)	1
17	SC-041-12	Cap Screw ⁵ / ₁₆ -18 x ⁷ / ₈ Hex Hd.	2
18	00-276407	Gasket	1
19	00-067500-00012	O-Ring	1



ELECTRIC BOOSTER TANK

ELECTRIC BOOSTER TANK

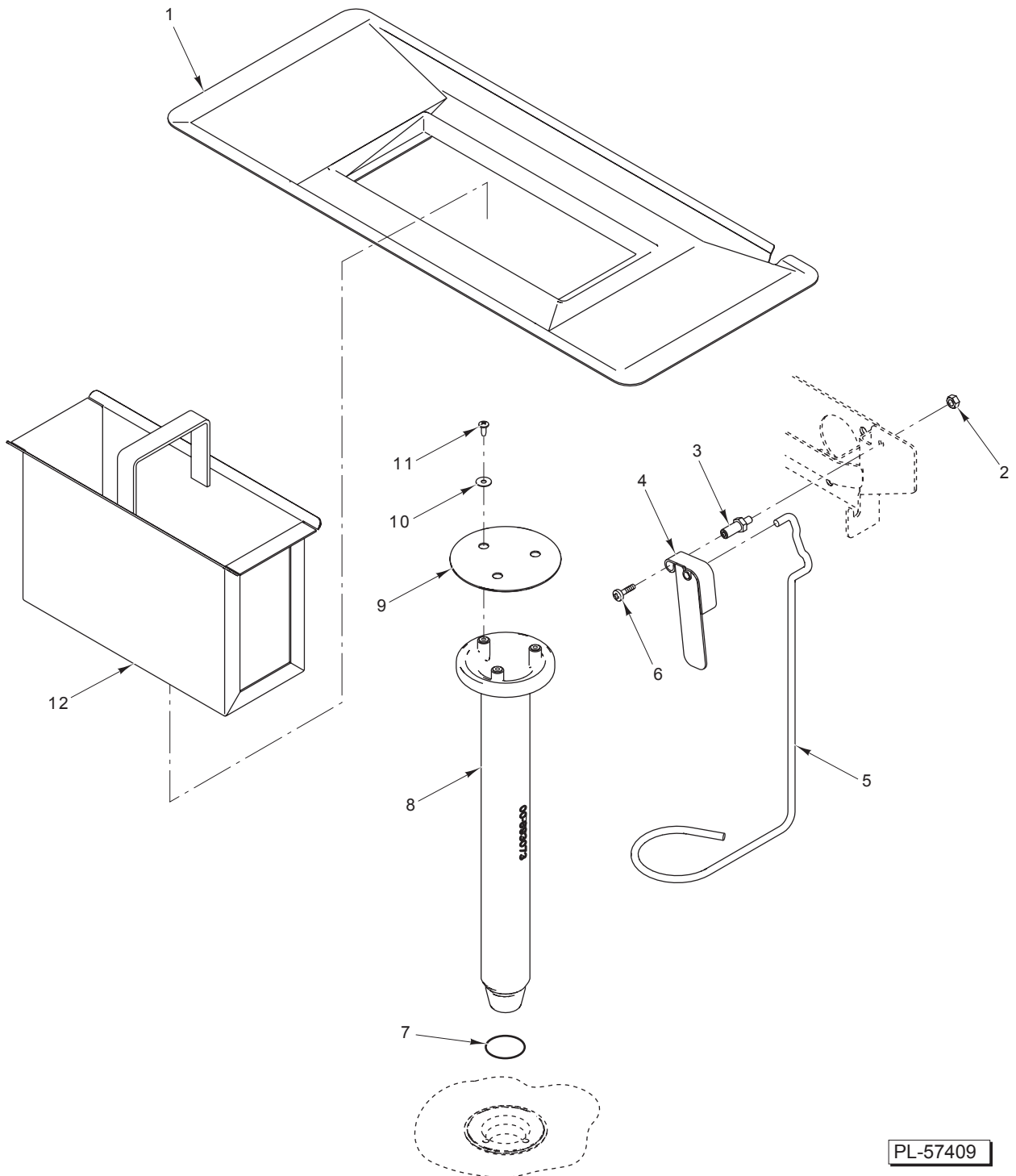
ILLUS.	PART NO.	NAME OF PART	AMT.
PL-57400			
1	SC-041-01	Cap Screw 1/4-20 x 3/4 Hex Hd. (SST)	6
2	WL-006-17	Lockwasher 1/4 Medium	6
3	WS-017-06	Washer	6
4	00-749554-00002	Heater (13 kW) (208/240 V.)	1
5	00-749554-00003	Heater (13 kW) (480 V.)	1
6	00-749554-00004	Heater (13 kW) (380 V.)	1
7	NS-031-16	Stop Nut 10-24 Hex	2
8	00-475967	Bracket – High Limit	1
9	00-294615-00001	Control – Temperature	1
10	00-749555	Gasket (13 kW) (Electric Heater)	1
11	00-328994	Probe Assy. – Rinse	1
12	00-893047	Tank – Weldment	1
13	FP-015-16	Elbow – Pipe 1/2 x 90 Deg. (Brass)	1
14	FP-015-16	Elbow – Pipe 1/2 x 90 Deg. (Brass)	1
15	NS-036-19	Stop Nut 5/16-18 Hex	3
16	SC-041-11	Cap Screw 5/16-18 x 3/4 Hex Hd. (SST)	3
17	WS-017-01	Washer	3
18	00-186922	Strainer – Line (3/4 In.) (Brass)	1
19	00-186923	Plug – Branch	1
20	00-186925	Screen – Line Strainer	1
21	00-186924	Gasket – Branch Plug	1
22	FP-027-22	Bushing – Pipe 3/4 to 1/2	1
23	FP-040-43	Pipe 1/2 x 1 1/4 TBE (Brass)	1
24	FP-015-17	Elbow – Pipe 1/2 x 90 Deg. (Brass)	1
25	FP-022-12	Pipe – Union	1
26	FP-015-17	Elbow – Pipe 1/2 x 90 Deg. (Brass)	1
27	FP-040-43	Pipe 1/2 x 1 1/4 TBE (Brass)	1
28	00-893100-00001	Valve – Solenoid (1/2 In.) (120 V.)	1
29	00-893101	Kit – Water Valve (1/2 In.)	AR
30	00-892132	Coil – Solenoid Valve (120 V.)	1
31	FP-040-43	Pipe 1/2 x 1 1/4 TBE (Brass)	1
32	FP-028-15	Pipe Plug 1/2 Sq. Hd.	1
33	FP-019-21	Tee – Pipe 1/2 x 1/2 x 1/2 (Brass)	1
34	FP-015-17	Elbow – Pipe 1/2 x 90 Deg. (Brass)	1
35	FP-040-95	Pipe 1/2 x 7 TBE (Brass)	1
36	NS-031-50	Stop Nut 6-32 Hex (SST)	2
37	00-893082	Bracket – High Limit Protector	1
38	00-271123	Protector – High Limit	1
39	SC-021-08	Mach. Screw 6-32 x 3/8 Rd. Hd. (SST)	2
40	SC-041-11	Cap Screw 5/16-18 x 3/4 Hex Hd. (SST)	1
41	WS-017-01	Washer	1
42	NS-036-19	Stop Nut 5/16-18 Hex	1
	00-519504	Lube	AR



LOW WATER PROTECTION AND ELECTRIC HEAT

LOW WATER PROTECTION AND ELECTRIC HEAT

ILLUS.	PART NO.	NAME OF PART	AMT.
PL-57405			
1	NS-014-15	Nut ³ / ₈ -16 Hex (Brass).....	1
2	WL-006-27	Lockwasher ³ / ₈ Helical	1
3	00-749798	Plate – Electric Heat	1
4	00-067500-00034	O-Ring	1
5	00-893120-00001	Element – Heater (5 kW) (200-240 V., 50/60 Hz., 1 & 3 Ph.).....	1
6	00-893120-00002	Element – Heater (5 kW) (480 V., 60 Hz., 3 Ph.)	1
7	00-893120-00003	Element – Heater (5 kW) (380-415 V., 50 Hz., 3 Ph.)	1
8	RR-010-13	Retaining Ring	1
9	00-112467	Retainer – Float	1
10	00-271621	Probe & Switch Assy. (4 Wire) (Temperatures & Water Level)	1
11	00-122674	Float Assy.	1
12	00-067500-00072	O-Ring	1
13	00-119244	Cap & Stud Assy.	1
14	WS-010-40	Washer	1
15	WL-014-31	Lockwasher ¹ / ₂ External Shakeproof (SST).....	1
16	NS-018-28	Jam Nut ¹ / ₂ -20 Hex	1
17	00-067500-00031	O-Ring	1
18	00-119254	Retainer – Cap	1
19	WL-006-17	Lockwasher ¹ / ₄ Helical	1
20	NS-015-01	Nut ¹ / ₄ -20 Hex	1
21	00-294615-00001	Control – Temperature	1
22	00-475967	Bracket – High Limit	1
23	NS-031-16	Stop Nut 10-24 Hex	2
	00-186091	Probe & Float Assy. (Incls. Items 8 thru 11).....	1
	00-519504	Lube	AR

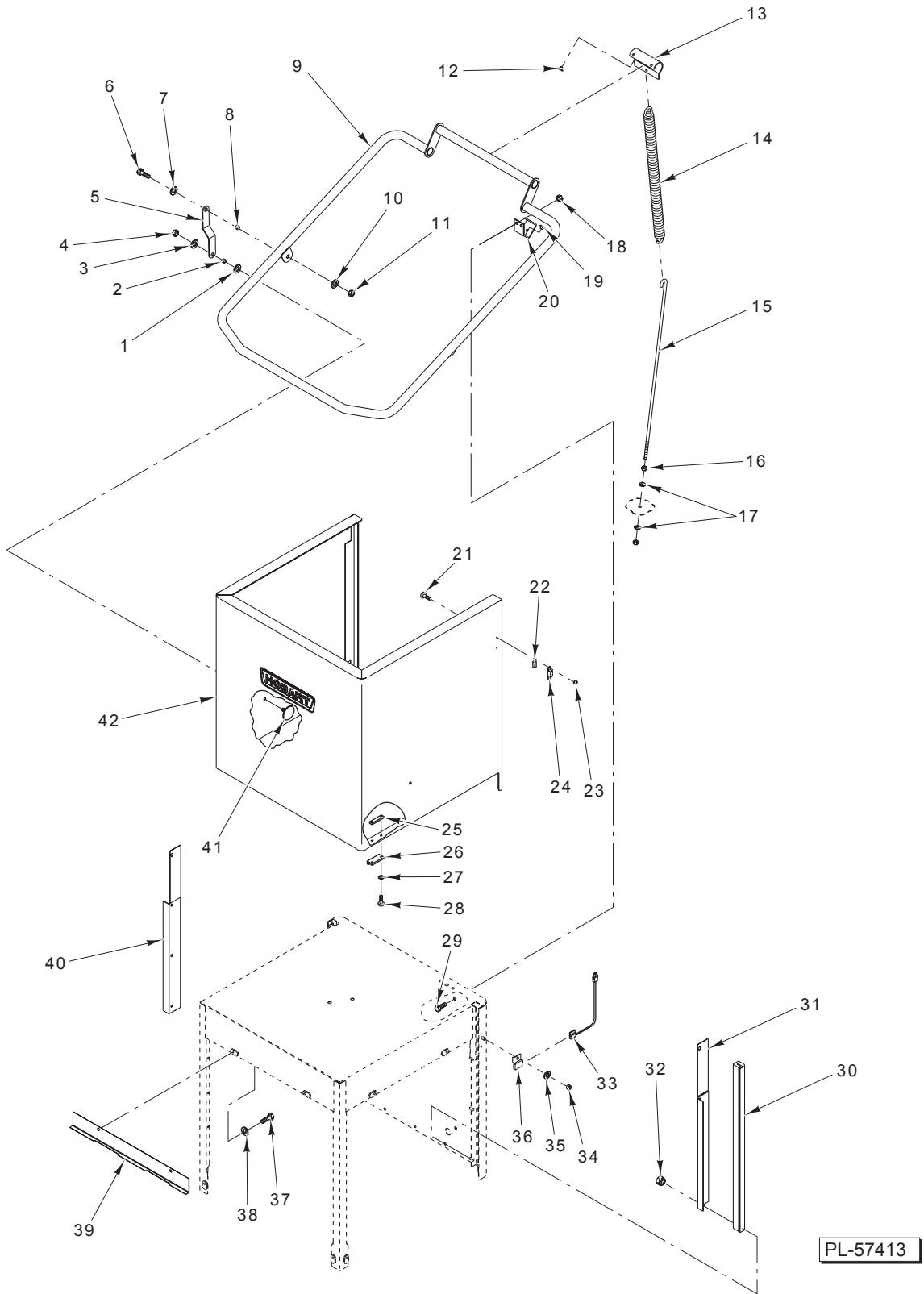


PL-57409

DRAIN UNIT

DRAIN UNIT

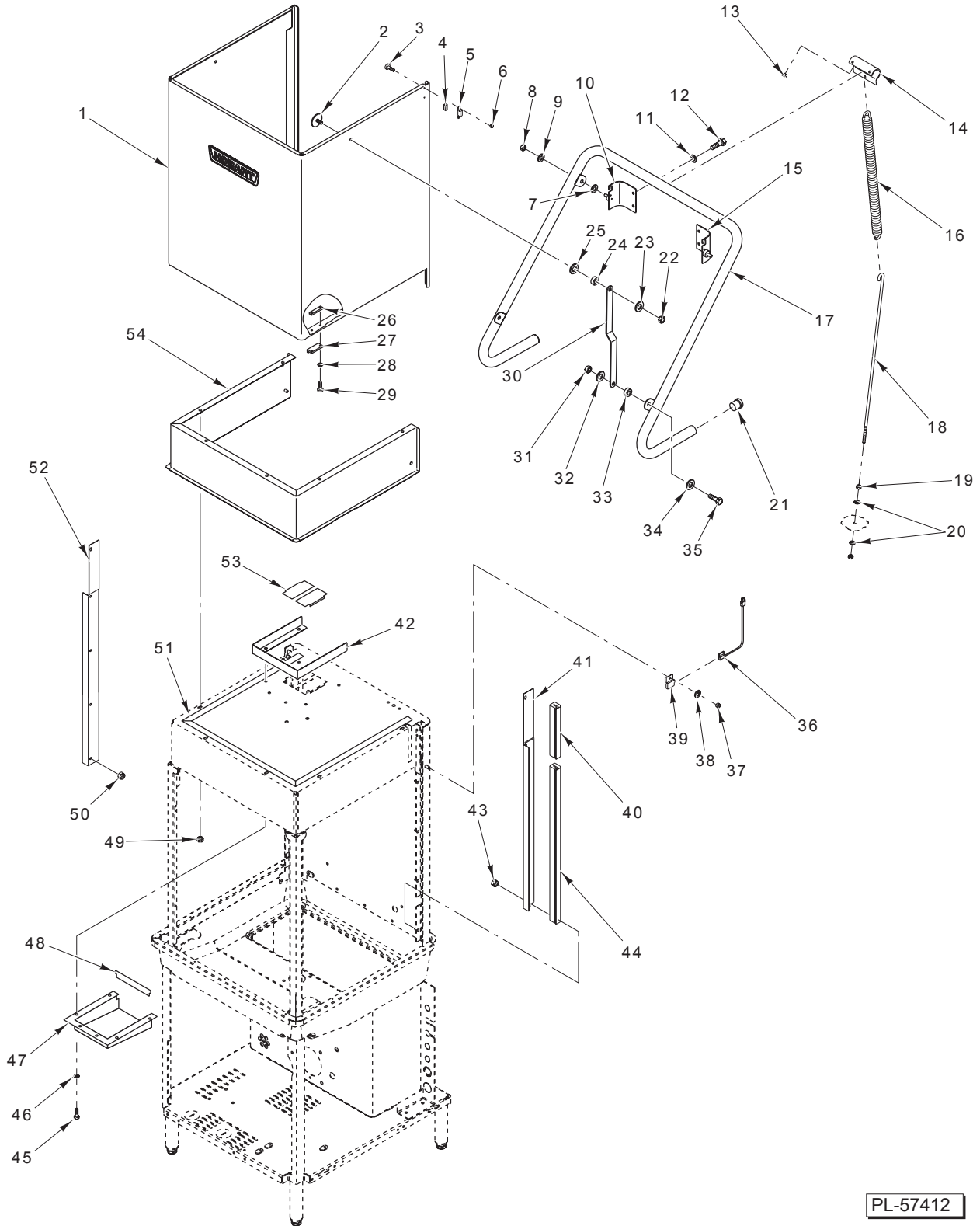
ILLUS.	PART NO.	NAME OF PART	AMT.
PL-57409			
1	00-893045	Strainer Pan	1
2	NS-047-82	Stop Nut 1/4-20 Hex (SST)	1
3	00-119116	Axle – Drain Lever	1
4	00-893091	Drain Lever Assy.	1
5	00-893095	Drain – Lift	1
6	SC-066-06	Mach. Screw 10-24 x 1/2 Phil. Truss Hd.	
7	00-067500-00120	O-Ring	1
8	00-893071	Drain Tube Assy. (Incls. Items 9, 10, & 11)	1
9	00-893072	Cover – Standpipe	1
10	WS-019-33	Washer	3
11	SD-038-84	Self-Tapping Screw 10-24 x 1/2 Phil. Truss Hd., Type F (SST)	3
12	00-118999	Strainer Basket Assy.	1



DOOR ASSEMBLY (AM15)

DOOR ASSEMBLY (AM15)

ILLUS.	PART NO.	NAME OF PART	AMT.
PL-57413			
1	WS-017-01	Washer	2
2	00-893014-00002	Spacer – Door Link (Lower)	2
3	WS-017-01	Washer	2
4	NS-036-19	Stop Nut ⁵ / ₁₆ -18 Hex	2
5	00-893252	Link – Door Handle	2
6	SC-041-12	Cap Screw ⁵ / ₁₆ -18 x ⁷ / ₈ Hex Hd.	2
7	WS-017-01	Washer	2
8	00-893014-00001	Spacer – Door Link (Upper)	2
9	00-893051	Handle – Weldment	1
10	WS-017-01	Washer	2
11	NS-036-19	Stop Nut ⁵ / ₁₆ -18 Hex	2
12	00-119055	Button – Bearing	4
13	00-893011	Hanger – Counterbalance (Spring)	1
14	00-893012	Spring – Extension (Door)	1
15	00-893013	Hook – Spring	1
16	NS-015-11	Nut ⁵ / ₁₆ -18 Hex	3
17	WS-017-01	Washer	2
18	NS-036-19	Stop Nut ⁵ / ₁₆ -18 Hex	4
19	00-119055	Button – Bearing	4
20	00-893224	Support – Handle	2
21	SC-066-01	Mach. Screw 6-32 x ¹ / ₄ Phil Truss Hd.	2
22	00-111941	Magnet	1
23	NS-031-50	Stop Nut 6-32 Hex	2
24	00-893111	Magnet – Mount	1
25	00-893826	Door Guide Mount	2
26	00-893801	Spacer – Door Guide	2
27	WS-023-01	Washer	4
28	SC-066-02	Mach. Screw 6-32 x ³ / ₈ Phil. Truss Hd.	4
29	SC-041-09	Cap Screw ⁵ / ₁₆ -18 x ¹ / ₂ Hex Hd.	4
30	00-893193-00001	Guide – Door	2
31	00-893201-00002	Cover – Door Guide (RH)	1
32	NS-047-82	Stop Nut ¹ / ₄ -20 Hex	4
33	00-473109-00004	Switch Assy. – Door	1
34	NS-015-11	Nut ⁵ / ₁₆ -18 Hex	1
35	WL-006-23	Lockwasher ⁵ / ₁₆ Helical	1
36	00-893853	Bracket – Reed Switch Mounting	1
37	SC-041-11	Cap Screw ⁵ / ₁₆ -18 x ³ / ₄ Hex Hd.	6
38	WL-006-23	Lockwasher ⁵ / ₁₆ Helical	6
39	00-893015	Stop – Door	3
40	00-893201	Cover – Door Guide (LH)	1
41	00-893226	Stiffener – Door Plate	2
42	00-893202	Door Wrap	1

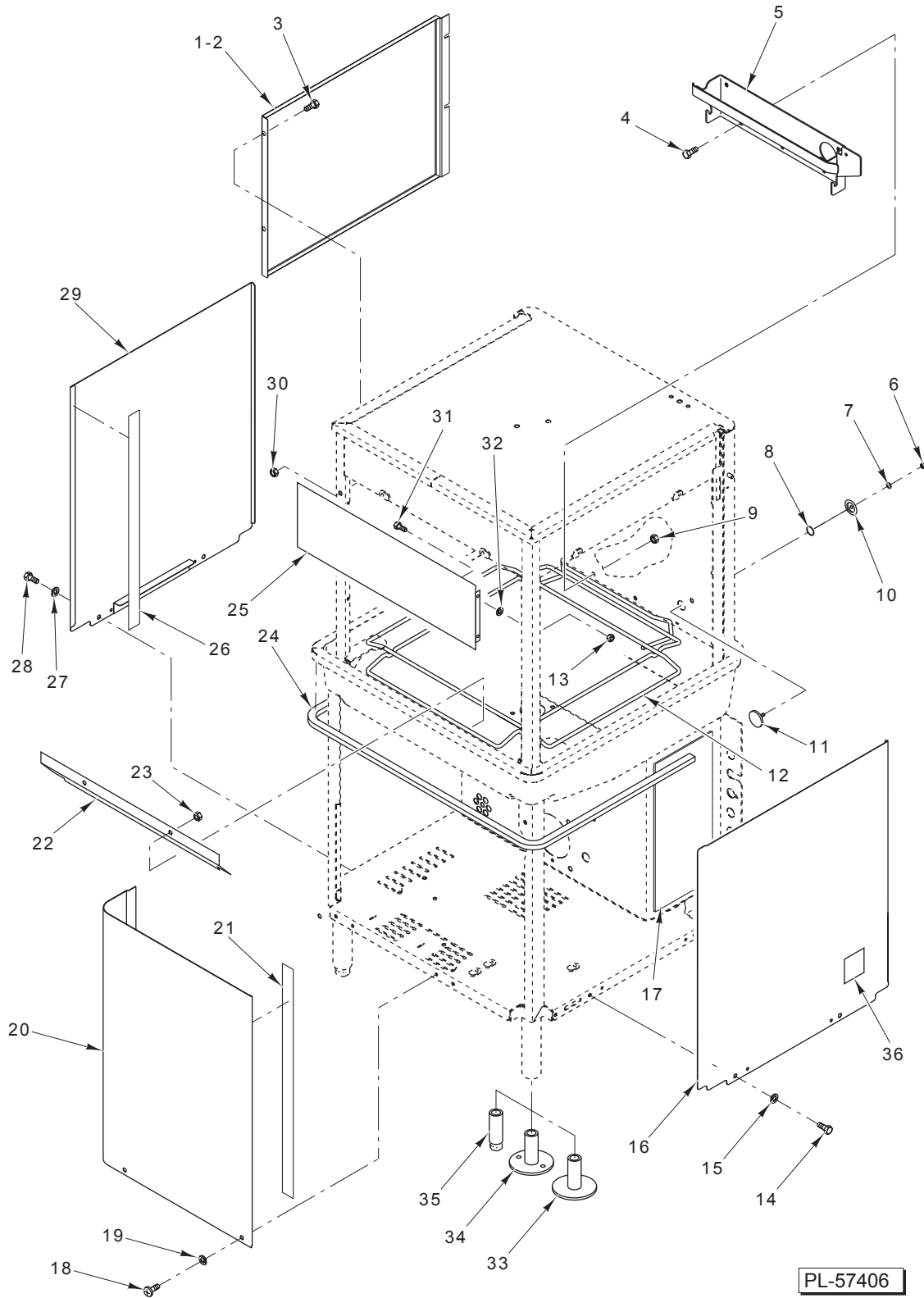


PL-57412

DOOR ASSEMBLY (AM15T & AM15F)

DOOR ASSEMBLY (AM15T & AM15F)

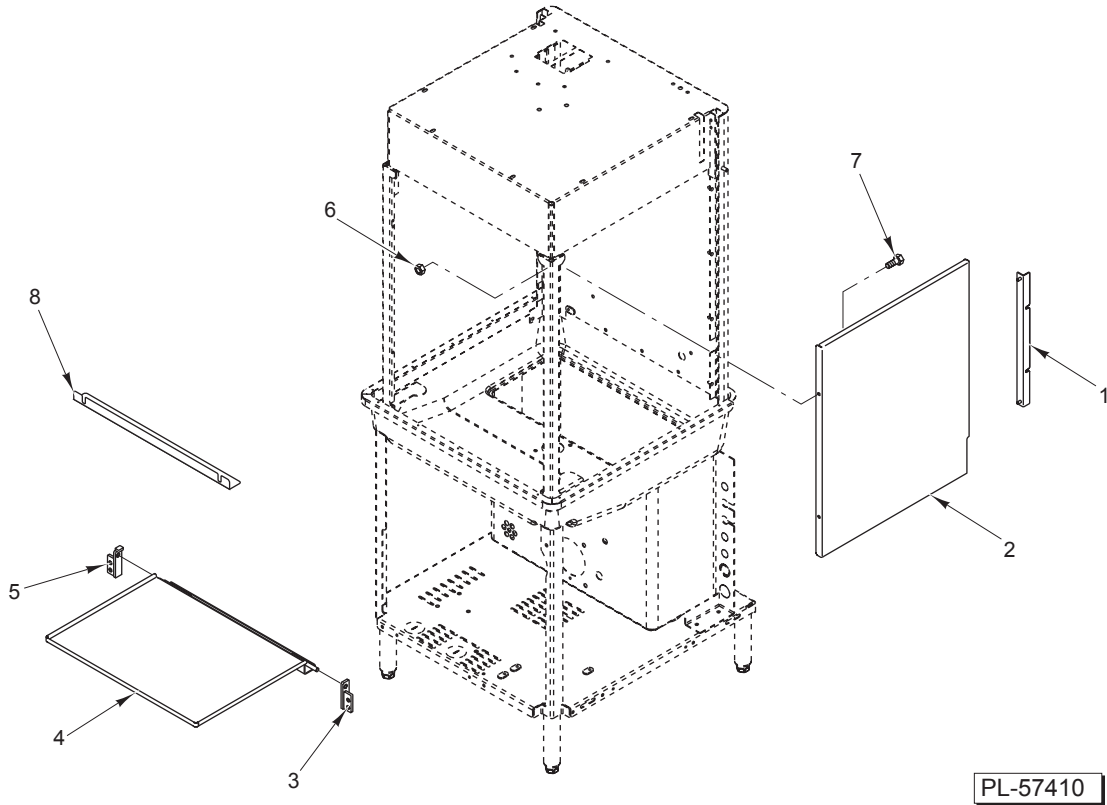
ILLUS. PL-57412	PART NO.	NAME OF PART	AMT.
1	00-893326	Door Wrap	1
2	00-893226	Stiffener – Door Plate	2
3	SC-066-01	Mach. Screw 6-32 x 1/4 Phil. Truss Hd.	4
4	00-111941	Magnet	1
5	00-893111	Magnet – Mount	1
6	NS-031-50	Stop Nut 5/16-18 Hex	2
7	WS-017-01	Washer	2
8	NS-036-19	Stop Nut 5/16-18 Hex	2
9	WS-017-01	Washer	2
10	00-893486-00002	Bracket – Handle (LH)	1
11	WL-006-23	Lockwasher 5/16 Helical	4
12	SC-041-09	Cap Screw 5/16-18 x 1/2 Hex Hd.	4
13	00-119055	Button – Bearing	4
14	00-893500	Hanger – Counterbalance (Spring)	1
15	00-893486-00001	Bracket – Handle (RH)	1
16	00-893498	Spring – Extension (Door)	1
17	00-893484	Handle – Weldment	1
18	00-893013-00002	Hook – Spring	1
19	NS-015-11	Nut 5/16-18 Hex	3
20	WS-017-01	Washer	2
21	00-918049	Plug – Lift Arm	2
22	NS-036-19	Stop Nut 5/16-18 Hex	2
23	WS-017-01	Washer	2
24	00-893014-00001	Spacer Door Link (Upper)	2
25	WS-017-01	Washer	2
26	00-893826	Door Guide Mount	2
27	00-893801	Spacer – Door Guide	2
28	WS-023-01	Washer	4
29	SC-066-02	Mach. Screw 6-32 x 3/8 Phil. Truss Hd.	4
30	00-893487	Link – Door Handle	2
31	NS-036-19	Stop Nut 5/16-18 Hex	2
32	WS-017-01	Washer	2
33	00-893014-00003	Spacer – Door Link	2
34	WS-017-01	Washer	2
35	SC-041-12	Cap Screw 5/16-18 x 7/8 Hex Hd.	2
36	00-473109-00004	Switch Assy. – Door	1
37	NS-015-11	Nut 5/16-18 Hex	1
38	WL-006-23	Lockwasher 5/16 Helical	1
39	00-893853	Bracket – Reed Switch Mounting	1
40	00-893193-00003	Guide – Door (Upper)	2
41	00-893314-00002	Cover – Door Guide (RH)	1
42	00-893946	Vent – Deflector	1
43	NS-047-82	Stop Nut 1/4-20 Hex	5
44	00-893193-00002	Guide – Door	2
45	SC-041-09	Cap Screw 5/16-18 x 1/2 Hex Hd.	6
46	WL-006-23	Lockwasher 5/16 Helical	6
47	00-893947	Vent – Deflector (Inside)	1
48	00-893957	Baffle – Vent	1
49	NS-047-82	Stop Nut 1/4-20 Hex	6
50	NS-047-82	Stop Nut 1/4-20 Hex	5
51	00-526408	Tape – Foam	AR
52	00-893314	Cover – Door Guide (LH)	1
53	00-893956	Cap – Vent	2
54	00-893320	Cover Assy. – Top Chamber	1



PANELS AND RACK SUPPORT

PANELS AND RACK SUPPORT

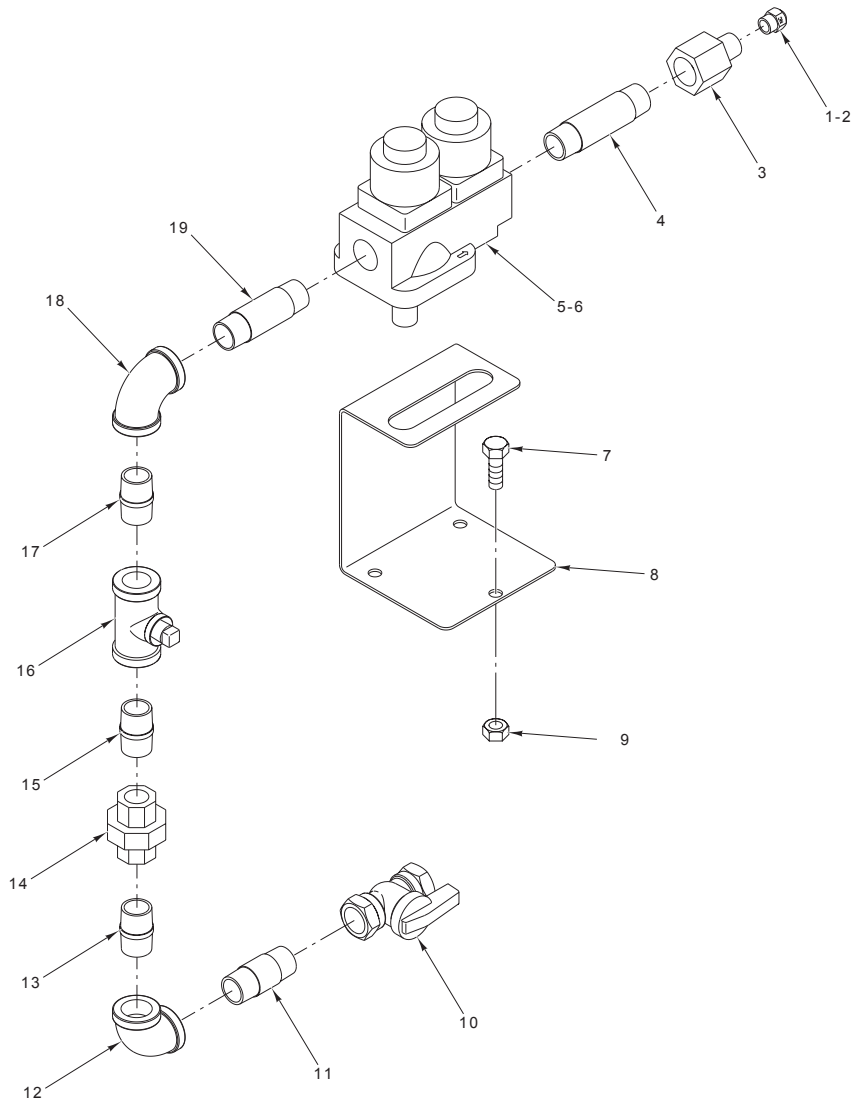
ILLUS.	PART NO.	NAME OF PART	AMT.
	PL-57406		
1	00-893203	Panel – Splash (AM15).....	1
2	00-893096	Panel – Splash (AM15T & AM15F).....	2
3	SC-059-29	Cap Screw 1/4-20 x 1/2 Hex Socket Hd.	2
4	SC-041-10	Cap Screw 5/16-18 x 1/2 Hex Hd.	5
5	00-893798	Rack – Stop Assy.	1
6	NS-015-01	Nut 1/4-20 Hex 1	1
7	WL-006-17	Lockwasher 1/4 Helical 1	1
8	00-067500-00031	O-Ring 1	1
9	NS-036-19	Stop Nut 5/16-18 Hex 5	5
10	00-119254	Retainer – Cap 1	1
11	00-119244	Cap & Stud Assy. 1	1
12	00-893790-00001	Wireform Assy. 1	1
13	NS-047-82	Stop Nut 1/4-20 Hex 4	4
14	SC-041-50	Cap Screw 1/4-20 x 1/2 Hex Hd. 2	2
15	WL-006-17	Lockwasher 1/4 Helical 2	2
16	00-893042	Panel – Cover (Right Side) 1	1
17	00-918097	Kit – Foam Installation AR	AR
18	SC-125-15	Mach. Screw 1/4-20 x 1/2 Phil. Truss Hd. 2	2
19	WL-006-17	Lockwasher 1/4 Helical 2	2
20	00-893041	Panel – Cover (Front) 1	1
21	00-526454	Tape – Foam AR	AR
22	00-893069	Baffle – Steam 1	1
23	NS-036-19	Stop Nut 5/16-18 Hex 2	2
24	00-893021	Seal – Extrusion AR	AR
25	00-893775	Deflector 1	1
26	00-526454	Tape – Foam AR	AR
27	WL-006-17	Lockwasher 1/4 Helical 2	2
28	SC-041-50	Cap Screw 1/4-20 x 1/2 Hex Hd. 2	2
29	00-893018	Panel – Cover (Left Side) 1	1
30	NS-047-82	Stop Nut 1/4-20 Hex 2	2
31	SC-059-29	Cap Screw 1/4-20 x 1/2 Hex Socket Hd. 4	4
32	WS-017-06	Washer 4	4
33	00-893122-00002	Foot – Flanged (Without Holes) 4	4
34	00-893122-00001	Foot – Flanged (With Holes) 4	4
35	00-893122-00003	Foot – Standard 4	4
36	00-438131-061-2	Label – Warning (California) 1	1



PL-57410

FRONT TRAY (AM15F)

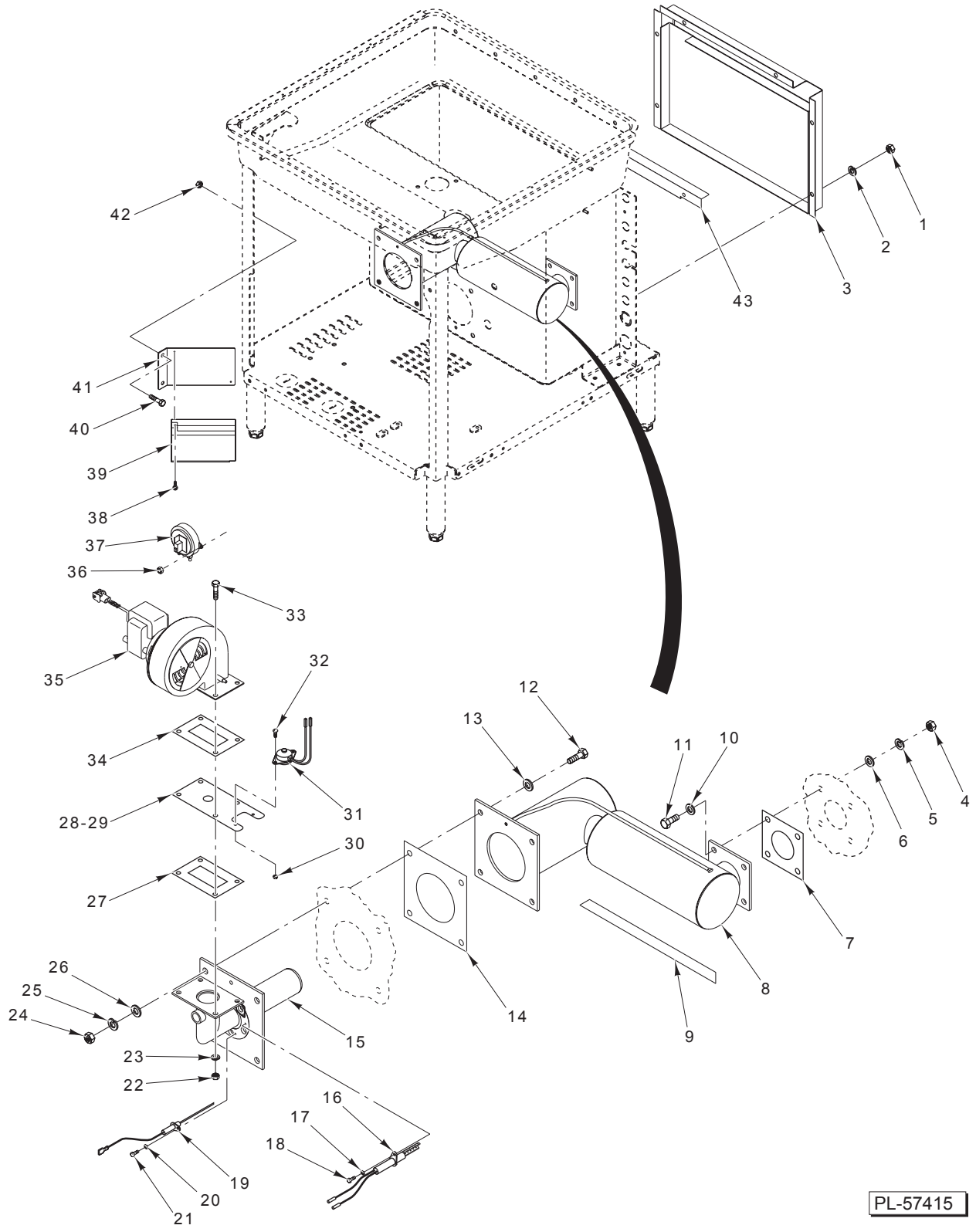
ILLUS.	PART NO.	NAME OF PART	AMT.
PL-57410			
1	00-893220	Bracket – Splash (Corner)	2
2	00-893096	Panel – Splash	2
3	00-893817	Hinge Assy. (RH)	1
4	00-893815	Tray Weldment	1
5	00-893816	Hinge Assy. (LH)	1
6	NS-047-82	Stop Nut 1/4-20 Hex	8
7	SC-059-29	Cap Screw 1/4-20 x 1/2 Hex Socket Hd.	4
8	00-893983	Baffle – Steam	1



GAS HEAT PIPING

PL-57411

ILLUS.	PART NO.	NAME OF PART	AMT.
	PL-57411		
1	00-893149-00001	Orifice (NAT)	1
2	00-893149-00002	Orifice (LP)	1
3	00-893132	Adapter $\frac{1}{2}$ to $\frac{7}{16}$ -20	1
4	FP-059-10	Pipe $\frac{1}{2}$ x 3 TBE	1
5	00-328426-00004	Valve – Regulator (NAT)	1
6	00-328426-00005	Valve – Regulator (LP).....	1
7	SC-041-10	Cap Screw $\frac{5}{16}$ -18 x $\frac{5}{8}$ Hex Hd.	3
8	00-893899	Support – Valve Assy.	1
9	NS-015-11	Nut $\frac{5}{16}$ -18 Hex	3
10	00-291988-00003	Valve – Gas (Shut Off)	1
11	FP-067-04	Pipe $\frac{1}{2}$ x $\frac{1}{8}$ TBE	1
12	FP-013-15	Elbow Pipe $\frac{1}{2}$ x 90 Deg.	1
13	FP-067-04	Pipe $\frac{1}{2}$ x $\frac{1}{8}$ TBE	1
14	FP-022-11	Union – Pipe	1
15	FP-067-04	Pipe $\frac{1}{2}$ x $\frac{1}{8}$ TBE	1
16	FP-084-31	Tee Pipe $\frac{1}{2}$ x $\frac{1}{2}$ x $\frac{1}{4}$	1
17	FP-035-94	Pipe $\frac{1}{2}$ x $1\frac{1}{2}$ TBE.....	1
18	FP-013-15	Elbow Pipe $\frac{1}{2}$ x 90 Deg.	1
19	FP-036-97	Pipe $\frac{1}{2}$ x $2\frac{3}{4}$ TBE	1
	00-893896-00001	Gas Piping Assy. (NAT) (Incls. Items 1, 3, 4, 5, & 10 thru 19)	1
	00-893896-00002	Gas Piping Assy. (LP) (Incls. Items 2, 3, 4, 6, & 10 thru 19)	1

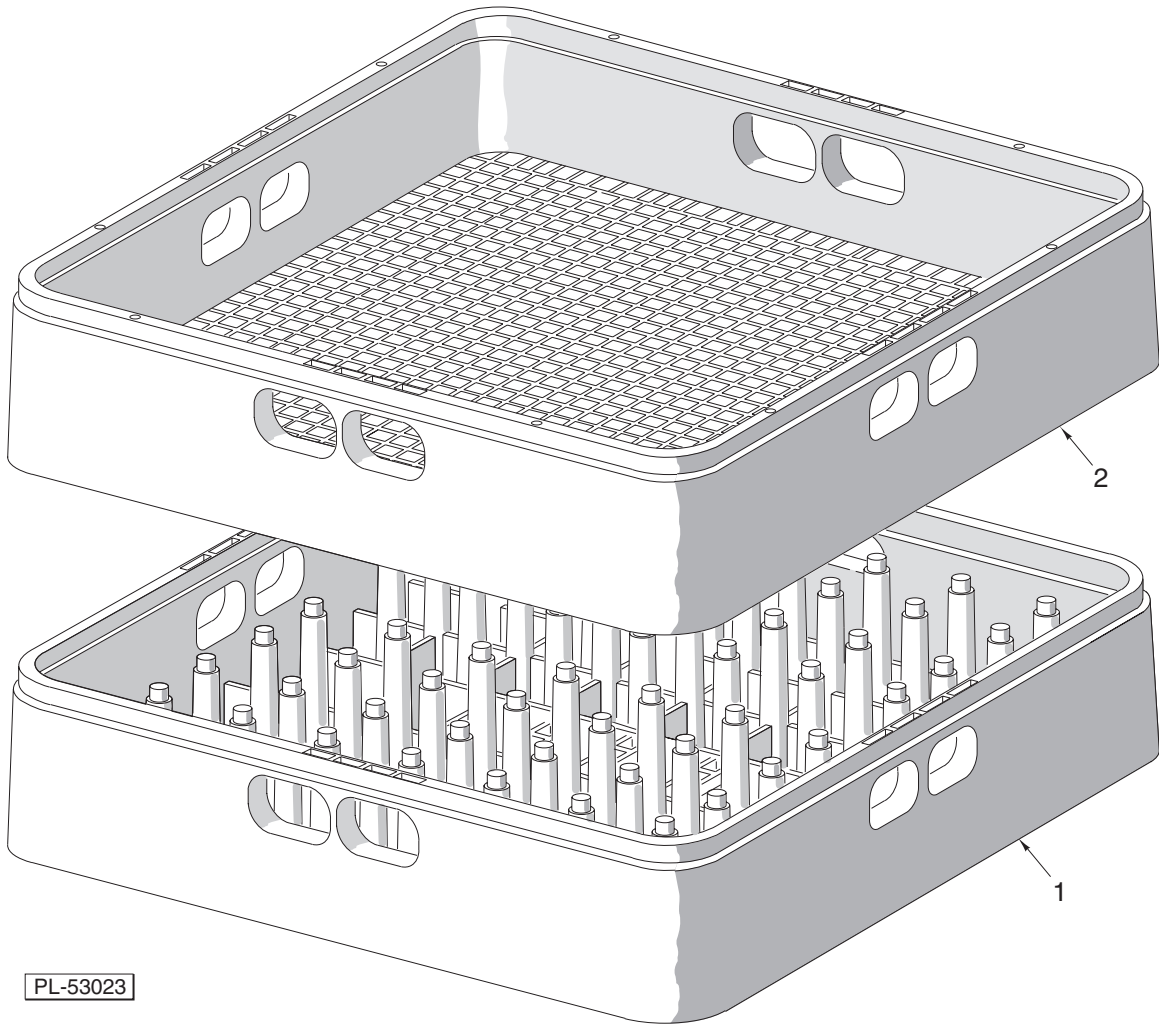


PL-57415

GAS HEAT COMPONENTS

GAS HEAT COMPONENTS

ILLUS. PL-57415	PART NO.	NAME OF PART	AMT.
1	NS-031-21	Stop Nut 1/4-20 Hex	6
2	WL-014-10	Lockwasher 1/4 External	6
3	00-893890	Shroud – Exhaust	1
4	NS-015-13	Nut 3/8-16 Hex	4
5	WL-006-28	Lockwasher 3/8 Helical	4
6	WS-028-22	Washer	4
7	00-893892	Gasket – Immersion Tube	1
8	00-893879	Tube – Immersion	1
9	00-893900	Turbulator – Immersion Tube	1
10	WS-028-22	Washer	4
11	SC-041-31	Cap Screw 3/8-16 x 1 1/4 Hex Hd.	4
12	SC-041-31	Cap Screw 3/8-16 x 1 1/4 Hex Hd.	4
13	WS-028-22	Washer	4
14	00-893891	Gasket – Immersion tube	1
15	00-893897	Burner – Infrared	1
16	00-748571-00002	Ignitor (With Terminals).....	1
17	WL-006-02	Lockwasher #8 Helical	1
18	SC-021-13	Mach. Screw 8-32 x 1/4 Slotted Rd. Hd.	1
19	00-748572	Electrode Assy.	1
20	WL-006-02	Lockwasher #8 Helical	1
21	SC-021-13	Mach. Screw 8-32 x 1/4 Slotted Rd. Hd.	1
22	NS-031-21	Stop Nut 1/4-20 Hex	4
23	WL-014-10	Lockwasher 1/4 External	4
24	NS-015-13	Nut 3/8-16 Hex	4
25	WL-006-28	Lockwasher 3/8 Helical	4
26	WS-028-22	Washer	4
27	00-918034	Seal – Blower/Burner.....	1
28	00-893893-00001	Plate – Reducer (NAT).....	1
29	00-893893-00002	Plate – Reducer (LP)	1
30	NS-031-50	Stop Nut 6-32 Hex	2
31	00-271123	Protector – High Limit	1
32	SC-021-08	Mach. Screw 6-32 x 3/8 Slotted Rd. Hd.	2
33	SC-041-05	Cap Screw 1/4-20 x 5/8 Hex Hd.	4
34	00-918034	Seal – Blower/Burner.....	1
35	00-893898	Blower – Gas	1
36	NS-031-21	Stop Nut 1/4-20 Hex	2
37	00-748562-00002	Switch – Air	1
38	SD-038-02	Self-Tapping Screw 6-20 x 5/8 Phil. Pan Hd., Type B	2
39	00-748512	Board – Ignitor (24 VAC).....	1
40	SC-041-10	Cap Screw 5/16-18 x 3/8 Hex Hd.	2
41	00-893895	Bracket – Ignitor Board	1
42	NS-015-11	Nut 5/16-18 Hex	2
43	00-893887	Baffle – Exhaust	3



DISH RACKS

ILLUS.	PART NO.	NAME OF PART	AMT.
1	00-315191	Rack – Peg (Packaged).....	1
2	00-315193	Rack – Combination (Packaged).....	1
	00-295288	Peg Type Tray Rack (Packaged).....	1
	00-892671	Rack – Bun Pan.....	1
	00-474800	Rack (6 Pan).....	1

Online Parts Catalog

Note: It is helpful, but not essential to know the ML (Material List) Number of the equipment for which a part is needed

How Do I Find An ML Number?

The ML Number is found on the machine dataplate. The dataplate resembles the sample below, and is generally located on the back or side of a machine.

HOBART CORPORATION		MODEL	ML
COMMERCIAL DISHWASHER TROY, OHIO			
LISTED 756A C	UL	US	NSF
VOLTS		DATE CODE:	
HZ	PH	AMP	
749901 MADE IN U.S.A.			

- Section 1 – If Equipment ML Number is known
- Section 2 – If Equipment ML Number is not known



PRODUCT DIRECTORY | Locate an Office | Warranty Registration | Career Opportunities

SERVICE | PARTS | INSTALLATIONS | WATER TREATMENT | MANUALS & SUPPORT | CONTRACTS & PMs



Hobart Service

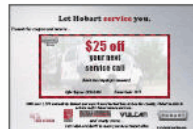
We're there for you, anytime you need us. 24x7.



We're within 50 miles of 95% of our service customers. Only Hobart can provide such blanket coverage because we're the premier equipment manufacturer with nearly 200 offices and 1,700

Hobart Service News & Offers

Get \$25 Off Your Next Service Call!



From hobartservice.com select PARTS



PRODUCT DIRECTORY | Locate an Office | Warranty Registration | Career Opportunities

SERVICE | PARTS | INSTALLATIONS | WATER TREATMENT | MANUALS & SUPPORT | CONTRACTS & PMs



Hobart Service Home > **Hobart National Parts and Accessories Program**

National Parts and Accessories Program

Hobart SmartParts® System

The [Hobart SmartParts® System](#) is an interactive parts catalog system. By entering information from your equipment's data plate, you can be assured that you are accessing the



Not Sure How to Use SmartParts™?

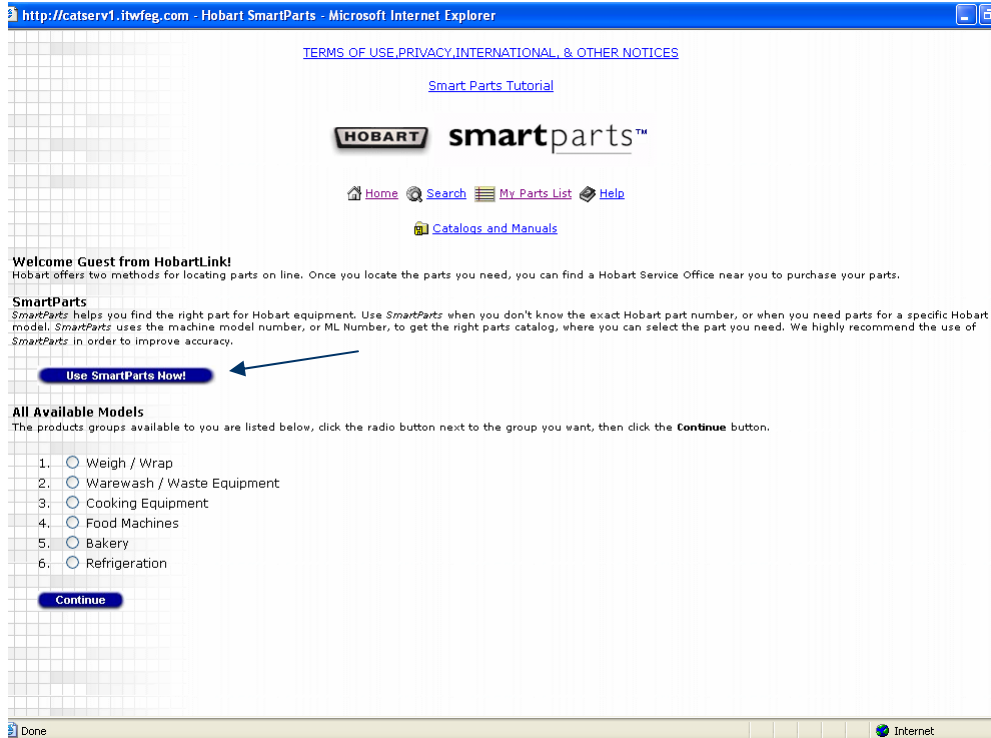
It's easy! Just go through the [Hobart SmartParts™ Online Tutorial](#) and you'll be a parts pro in no time!

Hobart Parts QuickLinks

- ▶ [Hobart SmartParts® System](#)
- ▶ [Parts Catalogs](#)

Next select SMARTPARTS

Web Browser Pop-up blocker must be turned off for this site in order for SmartParts to operate



This is SmartParts home page

If the ML Number of the Equipment is known, select Use SmartParts Now

(We'll explain what to do if the ML number of the Equipment is not known in Section 2)

SmartParts

Enter Your ML Number

Enter your full or partial ML Number in the field provided, then click the **Search SmartParts!** button.

ML- **Search Smart Parts**

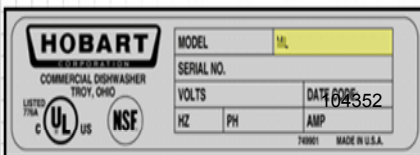
Enter the ML number and click on Search SmartParts

How Do I Find An ML Number?

The ML Number is found on the machine dataplate. The dataplate resembles the sample below, and is generally located on the back or side of a machine.

For this example, the part needed is a Water Pressure Gauge used on the LX 30 Undercounter Dishwasher

The ML number of this dishwasher is 104352



Hobart Parts Web

SmartParts

SmartParts results for **104352** (listed by product group):

Warewash / Waste Equipment

1. LX Series Dishwashers (Includes ML numbers 104349, 104350, 104351, 104352, 130016, 130017, 130018, 130019)

Continue

Go Back

Click on the Radio button to select the Parts Catalog

Then click on Continue

Assemblies Available

LX Series Dishwashers (Includes ML numbers 104349, 104350, 104351, 104352, 104353, 104354, 104355, 104356, 110380, 110381, 130016, 130017, 130018, 130019)

Click the radio button next to the assembly you want, then click the **Continue** button.

Continue

Go Back

1. BASE ASSEMBLY
2. TANK ASSEMBLY
3. DOOR ASSEMBLY
4. ELECTRICAL CONTROL DRAWER (LX SERIES)
5. ELECTRICAL CONTROL DRAWER (LXi SERIES)
6. DISPLAY
7. WASH ARM ASSEMBLY (LX18 SERIES)
8. WASH ARM ASSEMBLY (LX30/40, LXG, LXi, & LXiG SERIES)
9. WASH PIPE ASSEMBLY
10. 50 HZ., 60 HZ. PUMP AND MOTOR ASSEMBLY (INGERSOLL OR CRANE)

The Water Pressure Gauge is on the Base Assembly

Select Base Assembly

Then click on Continue

Parts List

BASE ASSEMBLY

Select an appropriate figure size

Change To:

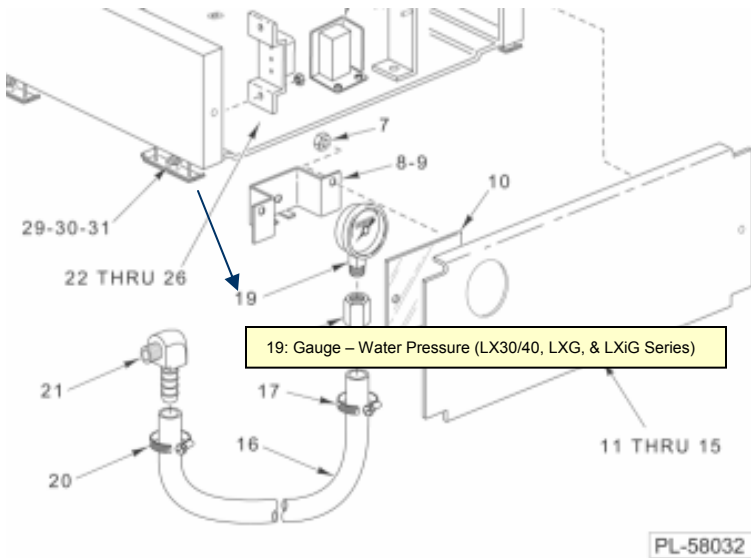
Different Assembly

Different Product

To add an item to your parts list, click the **Add** button next to the item. To see an exploded view, click on the view figure buttons.

View Figure: @ 25% @ 50% @ 75% @ 100% ←

Add	Item	Part No.	Part Description	Qty Used On Assembly
Add	1	00-328634	Track Assy. (RH)	1
Add	2	NS-015-01	Nut 1/4-20 Hex (SST)	8
Add	3	WL-006-17	Lockwasher 1/4 Medium	8



BASE ASSEMBLY

Locate the part needed (Water Pressure Gauge) on the drawing

Placing the cursor on the number will display the Description of the Part

Click on the number pointing to the part

Add	15	00-329267	Retainer - Screw #10	AR
Add	16	00-475060	Hose 1/4 x 12 Pressure Gauge to Fill Valve	1
Add	17	00-528501	Clamp - Hose #4	1
Add	18	FP-088-30	Fitting - Hose Barb (LX30/40, LXG, & LXi Series)	1
Add	19	00-918429	Gauge - Water Pressure (LX30/40, LXG, LXi, & LXiG Series)	1
Add	20	00-528501	Clamp - Hose #4	1
Add	21	FP-088-29	Fitting - Hose 1/4 Barb x 1/8-27 NPTM	1
Add	22	SC-018-24	Mach. Screw 6-32 x 3/4 Phil. Pan Hd.	2
Add	23	00-918385	Block - Terminal (5 Pole) (Current Construction)	1
Add	24	00-918339	Bracket - Terminal Block (Current Construction)	1
Add	25	NS-031-50	Stop Nut 6-32 Hex (SST)	2
Add	26	NS-031-16	Stop Nut 10-24 Hex Elastic (SST)	2
Add	27	00-475299-00001	Connector Assy. (Previous Construction)	1
Add	28	00-473138	Bracket - Terminal Block (Previous Construction)	1
Add	29	00-241857	Foot - Leveling	4
Add	30	00-329284	Spacer - Leveling Foot (LX18 Series)	4

- *Selecting the part on the figure causes the part to be highlighted on the parts list*
- *Click on the Add button to add the part to the shopping cart*
- *You can add more parts or change the quantity of the parts already in the cart*
- *When finished, click on the Confirm Parts Selected and then on Print Parts List if you want to print*

Parts Selected

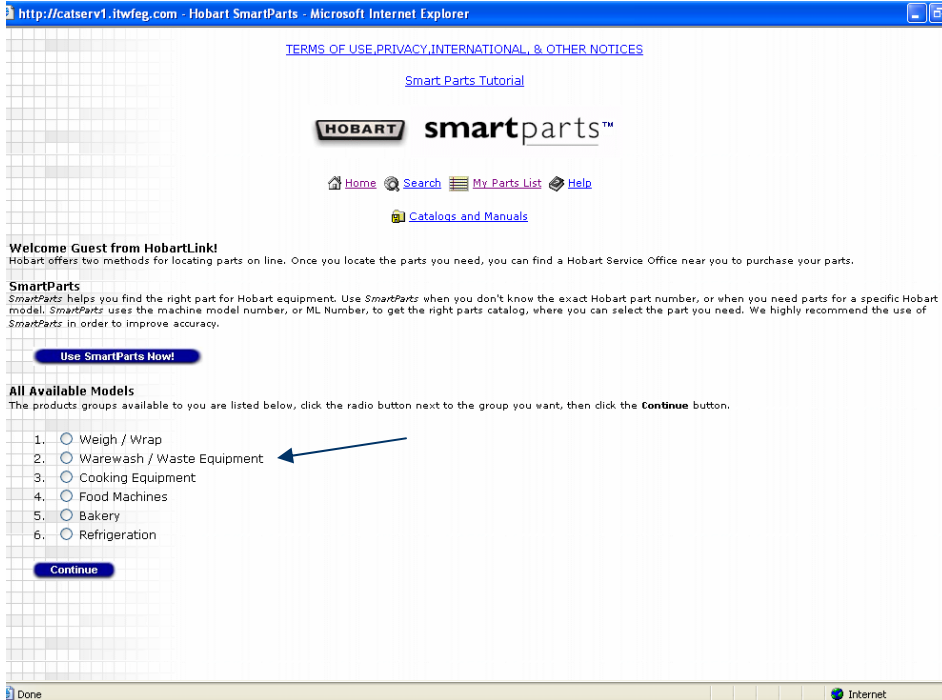
Items Listed for Guest

Add More Items From:

There is 1 item in your parts list:

Delete	Qty. Req.	Part No.	Part Description	Parts List
<input type="button" value="Delete"/>	<input type="text" value="1"/>	00-918429	Gauge - Water Pressure (LX30/40, LXG, LXi, & LXiG Series)	BASE ASSEMBLY

Use SMARTPARTS Now



This (again) is SmartParts home page

For this example, the part needed is a Water Pressure Gauge used on the LX 30 Undercounter Dishwasher

If the ML Number of the Equipment is not known, click on the Radio button to select Warewash / Waste Equipment

Then click on Continue

(Go to Section 1 if you do know the ML number of the Equipment)

Products Available

Warewash / Waste Equipment

Click the radio button next to the product you want, then click the **Continue** button.

Continue

Go Back

1. Door Type Dishwasher
2. Booster
3. Conveyor Type Dishwasher (C-LINE)
4. Flight Type Dishwasher
5. Miscellaneous Warewash
6. UnderCounter Dishwasher (indicated by a blue arrow)
7. Waste Equipment

Continue

Go Back

Click on the Radio button to select UnderCounter Dishwasher

Then click on Continue

Parts Catalogs

UnderCounter Dishwasher

Click the radio button next to the catalog you want, then click the **Continue** button.

Continue **Go Back**

- LX Series Dishwashers (Includes ML numbers 104349, 104350, 104351, 104352, 104353, 104354, 104355, 104356, 110380, 110381, 130016, 130017, 130018, 130019)
- WM Series Dishwashers
- Dishwasher Motor Book (Includes the following Motor Spec /ML numbers - 9257, 6661, 8115, 17829, 18897, 18751, 18931, 18930, 18932, 31219, 31220, 31221, 18491, 17350, 9801, 18603)
- SR24 Series Dishwasher (SR24C - ML-130021, SR24H - ML-130022)
- Fast Food Warewashers

Continue **Go Back**

Click on the Radio button to select LX Series Dishwashers

Then click on Continue

Assemblies Available

LX Series Dishwashers (Includes ML numbers 104349, 104350, 104351, 104352, 104353, 104354, 104355, 104356, 110380, 110381, 130016, 130017, 130018, 130019)

Click the radio button next to the assembly you want, then click the **Continue** button.

Continue **Go Back**

- BASE ASSEMBLY
- TANK ASSEMBLY
- DOOR ASSEMBLY
- ELECTRICAL COMPONENTS(LX SERIES)
- ELECTRICAL COMPONENTS (LXi SERIES)
- DISPLAY
- WASH AND RINSE ARM ASSEMBLY(lx30/40, lxxg, lxi, & lxiig SERIES)(PREV. CONSTR.)
- WASH AND RINSE ARM ASSEMBLY(lx30/40, lxxg, lxi, & lxiig SERIES)(CURRENT CONSTR.)
- WASH ARM ASSEMBLY(LX18 SERIES)
- WASH PIPE ASSEMBLY (PREVIOUS CONSTRUCTION)
- WASH PIPE ASSEMBLY (CURRENT CONSTRUCTION)

The Water Pressure Gauge is on the Base Assembly

Select Base Assembly

Then click on Continue

Parts List

BASE ASSEMBLY

Select an appropriate figure size

Change To:

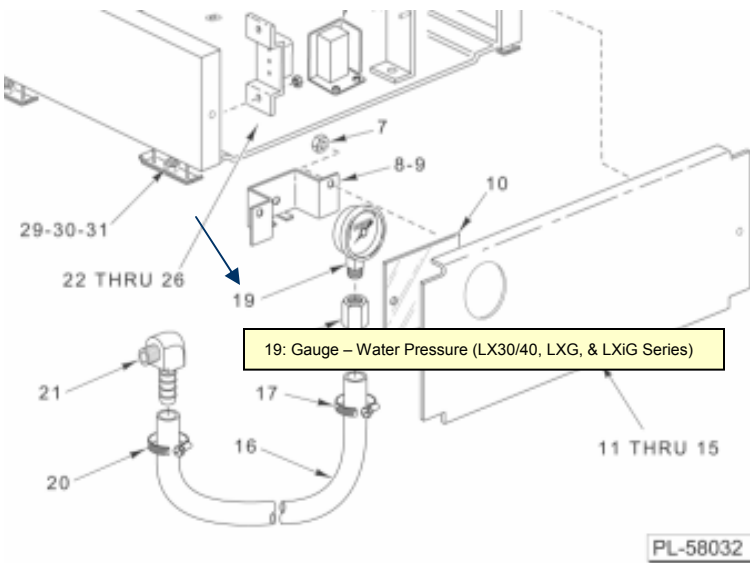
Different Assembly

Different Product

To add an item to your parts list, click the **Add** button next to the item. To see an exploded view, click on the view figure buttons.

View Figure: @ 25% @ 50% @ 75% @ 100% ←

Add	Item	Part No.	Part Description	Qty Used On Assembly
Add	1	00-328634	Track Assy. (RH)	1
Add	2	NS-015-01	Nut 1/4-20 Hex (SST)	8
Add	3	WL-006-17	Lockwasher 1/4 Medium	8



BASE ASSEMBLY

Locate the part needed (Water Pressure Gauge) on the drawing

Placing the cursor on the number will display the Description of the Part

Click on the number pointing to the part

Add	15	00-329267	Retainer - Screw #10	AR
Add	16	00-475060	Hose 1/4 x 12 Pressure Gauge to Fill Valve	1
Add	17	00-528501	Clamp - Hose #4	1
Add	18	FP-088-30	Fitting - Hose Barb (LX30/40, LXG, & LXI Series)	1
Add	19	00-918429	Gauge - Water Pressure (LX30/40, LXG, LXI, & LXIG Series)	1
Add	20	00-528501	Clamp - Hose #4	1
Add	21	FP-088-29	Fitting - Hose 1/4 Barb x 1/8-27 NPTM	1
Add	22	SC-018-24	Mach. Screw 6-32 x 3/4 Phil. Pan Hd.	2
Add	23	00-918385	Block - Terminal (5 Pole) (Current Construction)	1
Add	24	00-918339	Bracket - Terminal Block (Current Construction)	1
Add	25	NS-031-50	Stop Nut 6-32 Hex (SST)	2
Add	26	NS-031-16	Stop Nut 10-24 Hex Elastic (SST)	2
Add	27	00-475299-00001	Connector Assy. (Previous Construction)	1
Add	28	00-473138	Bracket - Terminal Block (Previous Construction)	1
Add	29	00-241857	Foot - Leveling	4
Add	30	00-329284	Spacer - Leveling Foot (LX18 Series)	4

- *Selecting the part on the figure causes the part to be highlighted on the parts list*
- *Click on the Add button to add the part to the shopping cart*
- *You can add more parts or change the quantity of the parts already in the cart*
- *When finished, click on the Confirm Parts Selected and then on Print Parts List if you want to print*

Parts Selected

Items Listed for Guest

Add More Items From:

Current Assembly

Different Assembly

Different Product

There is 1 item in your parts list:

Delete	Qty. Req.	Part No.	Part Description	Parts List
Delete	<input type="text" value="1"/>	00-918429	Gauge - Water Pressure (LX30/40, LXG, LXI, & LXIG Series)	BASE ASSEMBLY

Update Quantities

Confirm Parts Selected

Use **SMARTPARTS** Now



PRODUCT SERVICE DEPARTMENT

TROY, OH. 45374-0001

RECOMMENDED SPARE PARTS LIST

AM15-2 DISHWASHER ELECTRIC TANK HEAT (208-240/60/3)

Qty.	Part Number	Description
1	892458	Display Module, AM15
1	893113	Switch, Membrane Keypad, AM15
1	294500-51	Transformer, 30VA, 50/60 Hz
1	294500-52-1	Transformer, 100VA, 50/60 Hz
1	892932	Control Board
1	892934-1	Relay Board
5	FE-22-29	Fuse, 250V, 1.0 Amp
3	FE-26-30	Fuse, 250V, 0.1 Amp
1	87713-41-2	Contactor - 40 Amp, 3 Pole
1	186091	Probe & Float Assy
1	328994	Rinse Probe Assy
1	893039-8	Pump Motor, 3-Phase
1	274227-6	Shaft Seal
1	893120-1	Wash Tank Heater, 5KW, 208-240 Volt
1	294615-1	Temperature Control (Wash Tank Heat & Booster)
1	749554-2	Booster Heater Element, 13KW, 208-240 Volt
1	749555	Gasket - Booster Heater Element
1	271123	High Limit Protector (Booster Heater)
1	473109-4	Door Switch Assy
1	893100-1	Water Solenoid Valve, 1/2", 120 Volt
1	893101	Repair Kit - 1/2" Solenoid Valve
1	292910	Vacuum Breaker Kit, 1/2"
5	67500-120	Oring (Drain)