



CATALOG OF REPLACEMENT PARTS

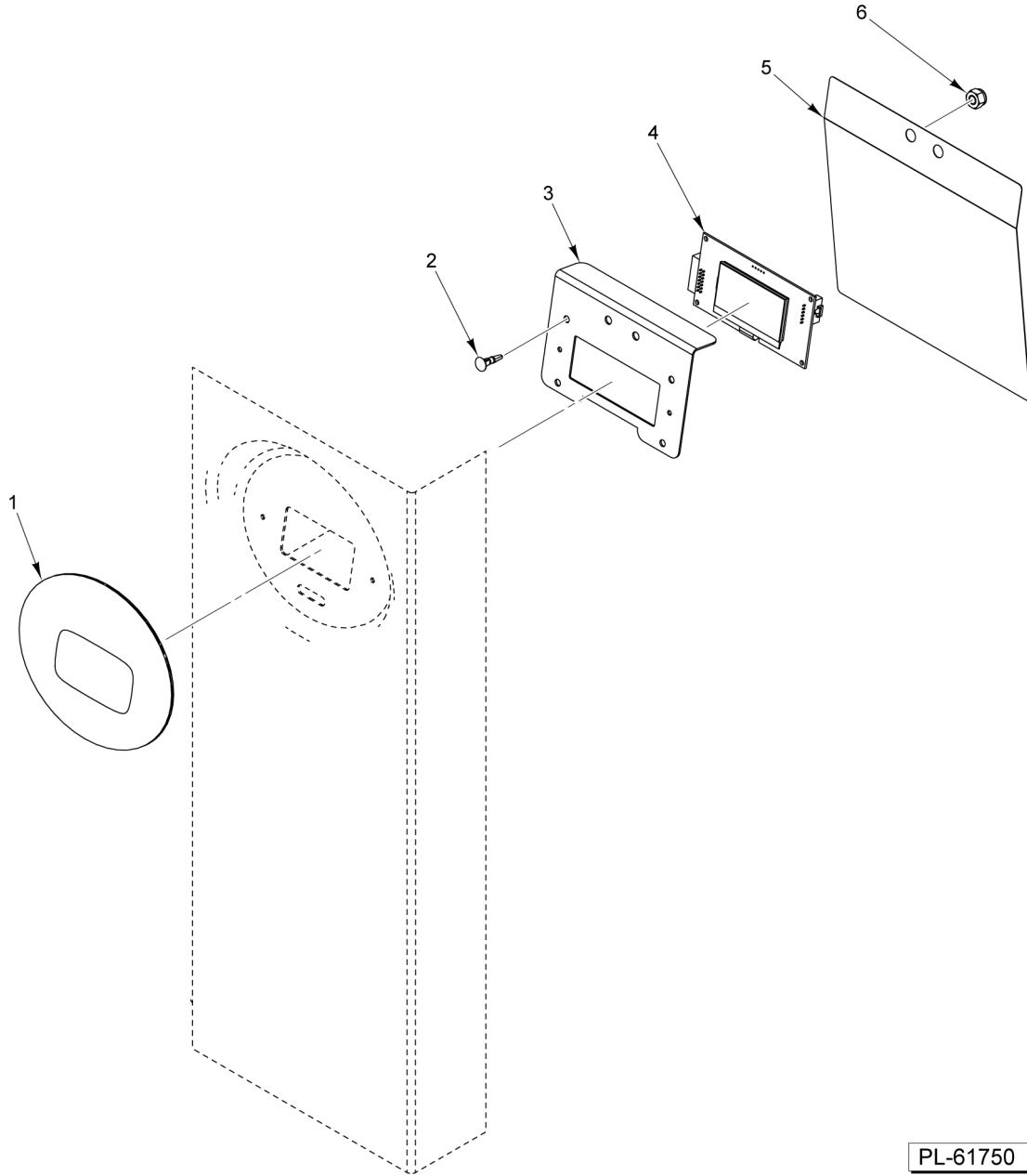


AM16X SERIES DISHWASHERS

**AM16-BASX
AM16T-BASX
AM16VL-BASX
AM16VLT-BASX
AM16SCBX
AM16VLSCBX**

Table of Contents

5	CONTROLS
7	ELECTRICAL COMPONENTS (208-240 V., 60 HZ.)
9	ELECTRICAL COMPONENTS (480 V., 60 HZ.; 380-415 V., 50 HZ.; 200-240 V., 50 HZ.)
11	ELECTRICAL COMPONENTS (SCB)
13	CABLES
15	LEAD WIRE ASSEMBLIES
17	DOOR ASSEMBLY (STANDARD HEIGHT)
19	DOOR ASSEMBLY (HTS)
21	CHAMBER GUIDES AND TOP PANEL (HTS)
23	DOOR LOCK ASSEMBLY
25	ELECTRIC BOOSTER AND RINSE PUMP (ALL EXCEPT AM16SCBX)
27	ELECTRIC BOOSTER AND RINSE PUMP (AM16SCBX)
29	WASH PUMP ASSEMBLY
31	WASH AND RINSE ARM ASSEMBLY
33	VENTLESS RECOVERY SYSTEM
35	WATER FILL AND AIR GAP (BASE)
37	WATER FILL AND AIR GAP (VENTLESS) (STD)
39	WATER FILL AND AIR GAP (VENTLESS) (HTS)
41	WATER FILL AND AIR GAP (VENTLESS) (SCB)
43	ELECTRIC HEAT AND SENSORS
45	CHEMICAL PUMP - HOT SANITIZING (STD)
47	CHEMICAL PUMP - HOT SANITIZING (HTS)
49	CHEMICAL PUMP (STD) (SCB)
51	FRAME AND PANELS
53	STRAINERS
55	RACK ASSEMBLY
57	DISH RACK AND ACCESSORIES

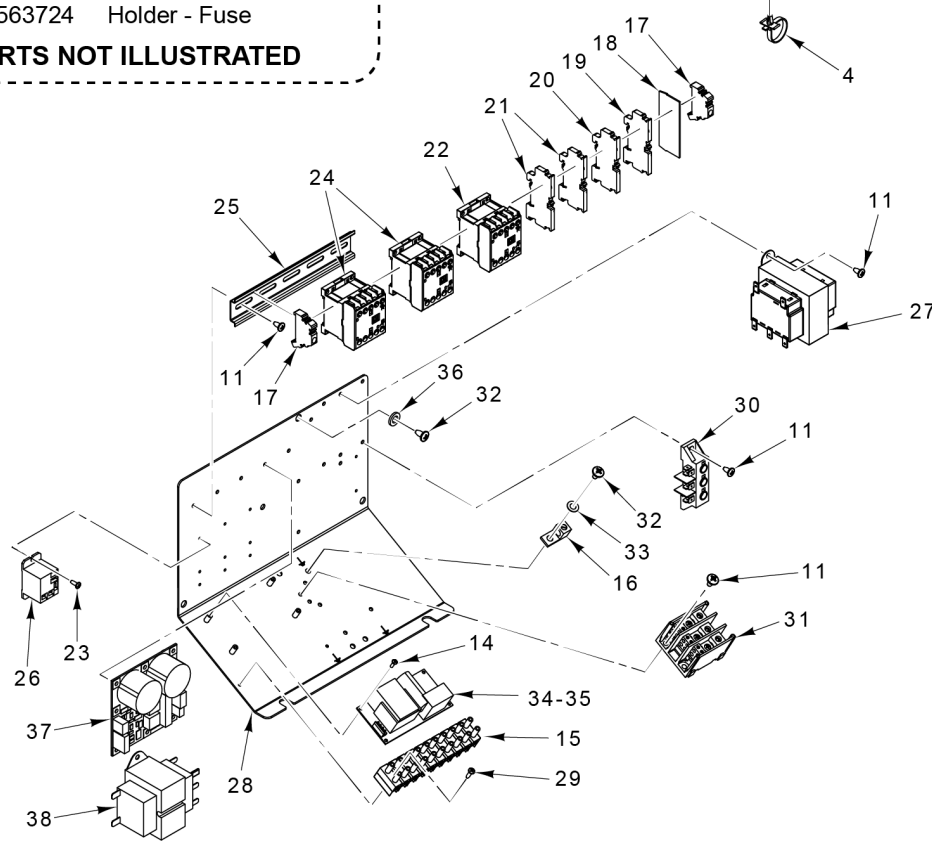
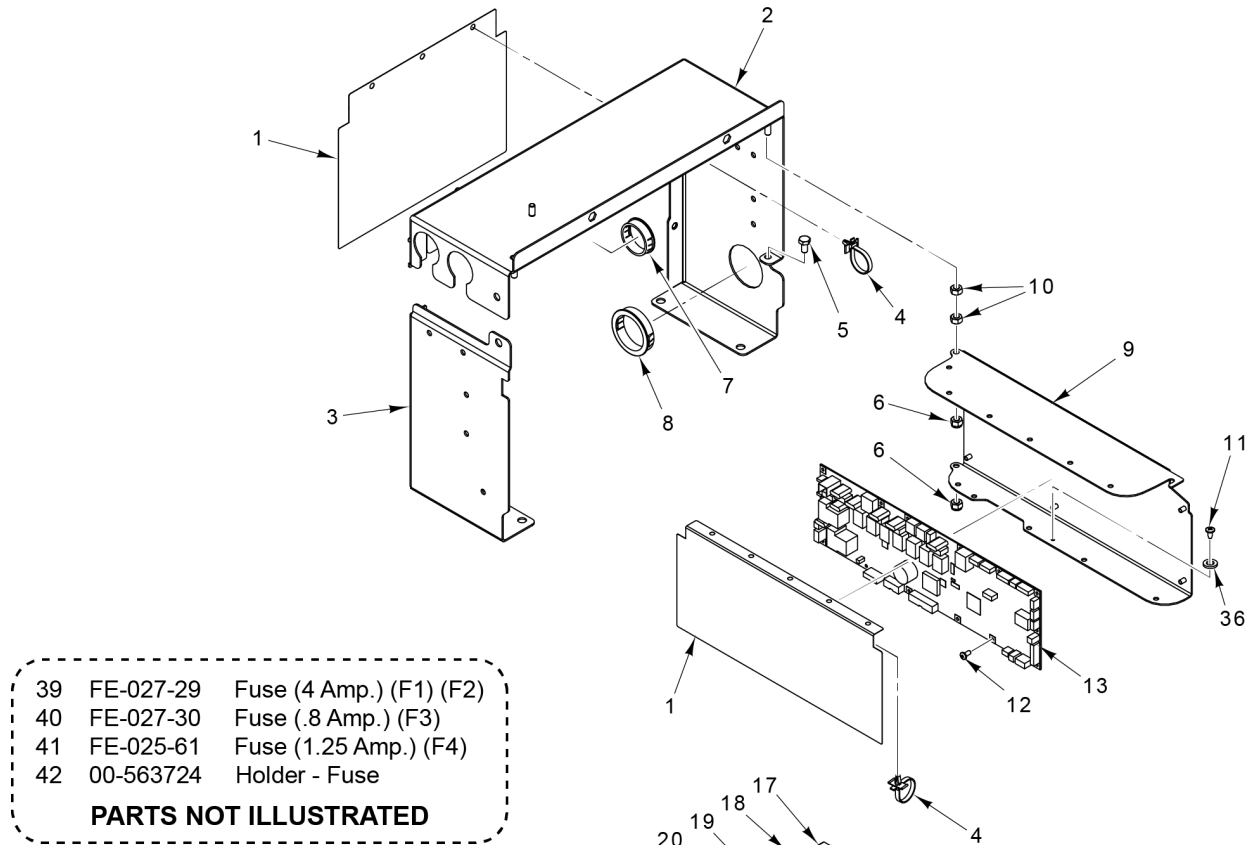


PL-61750

CONTROLS

CONTROLS

ILLUS.	PART NO.	NAME OF PART	AMT.
PL-61750			
1	00-948626-00001	Membrane - Keypad.....	1
2	00-941790-00001	Clip - Board.....	4
3	00-948707	Bracket - Display Mount.....	1
4	00-563549	Display (2.4 In.).....	1
5	00-974050	Cover - Display.....	1
6	NS-047-82	Stop Nut 1/4-20 Hex (SST).....	2

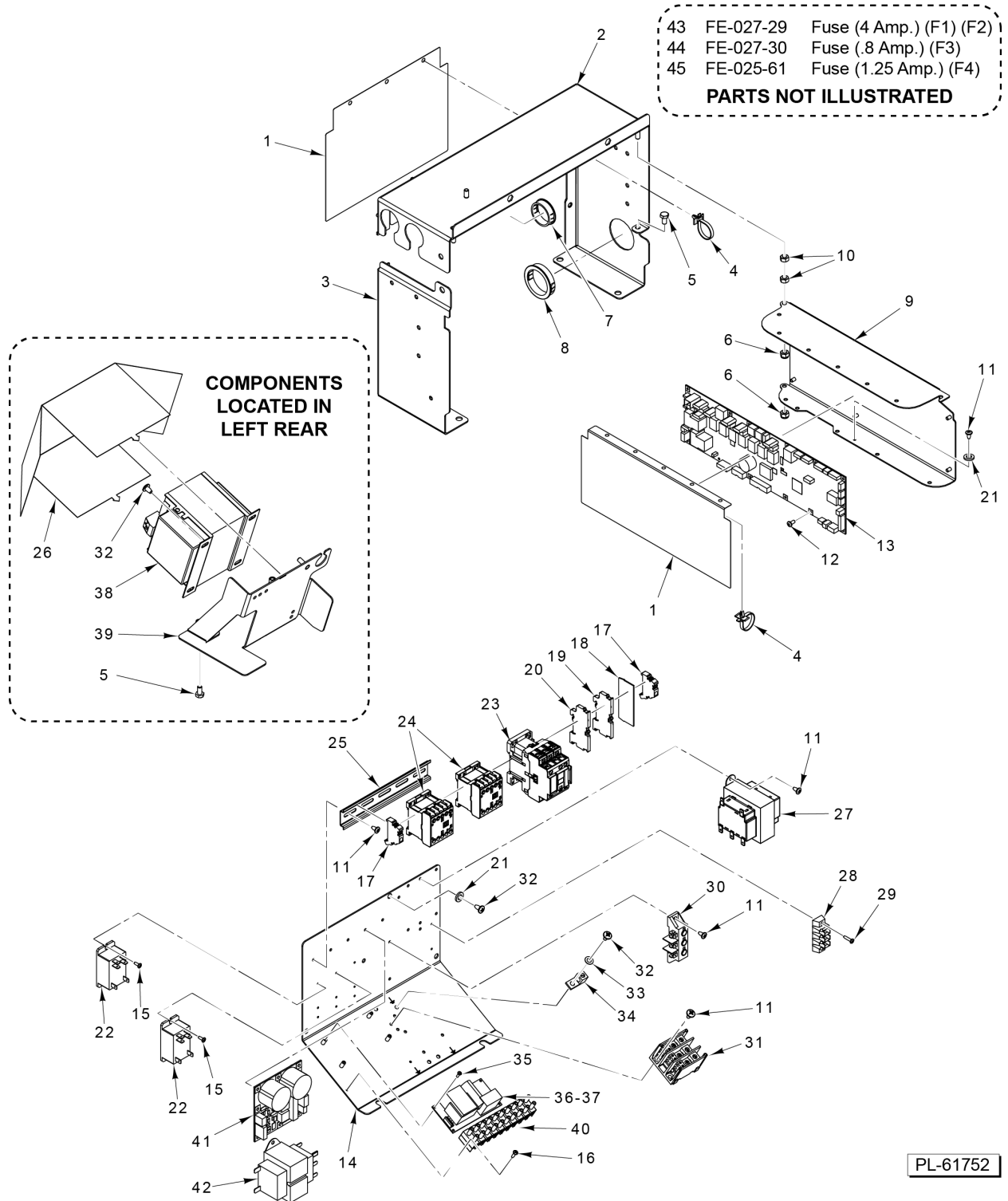


PL-61751

**ELECTRICAL COMPONENTS
(208-240 V., 60 HZ.)**

**ELECTRICAL COMPONENTS
(208-240 V., 60 HZ.)**

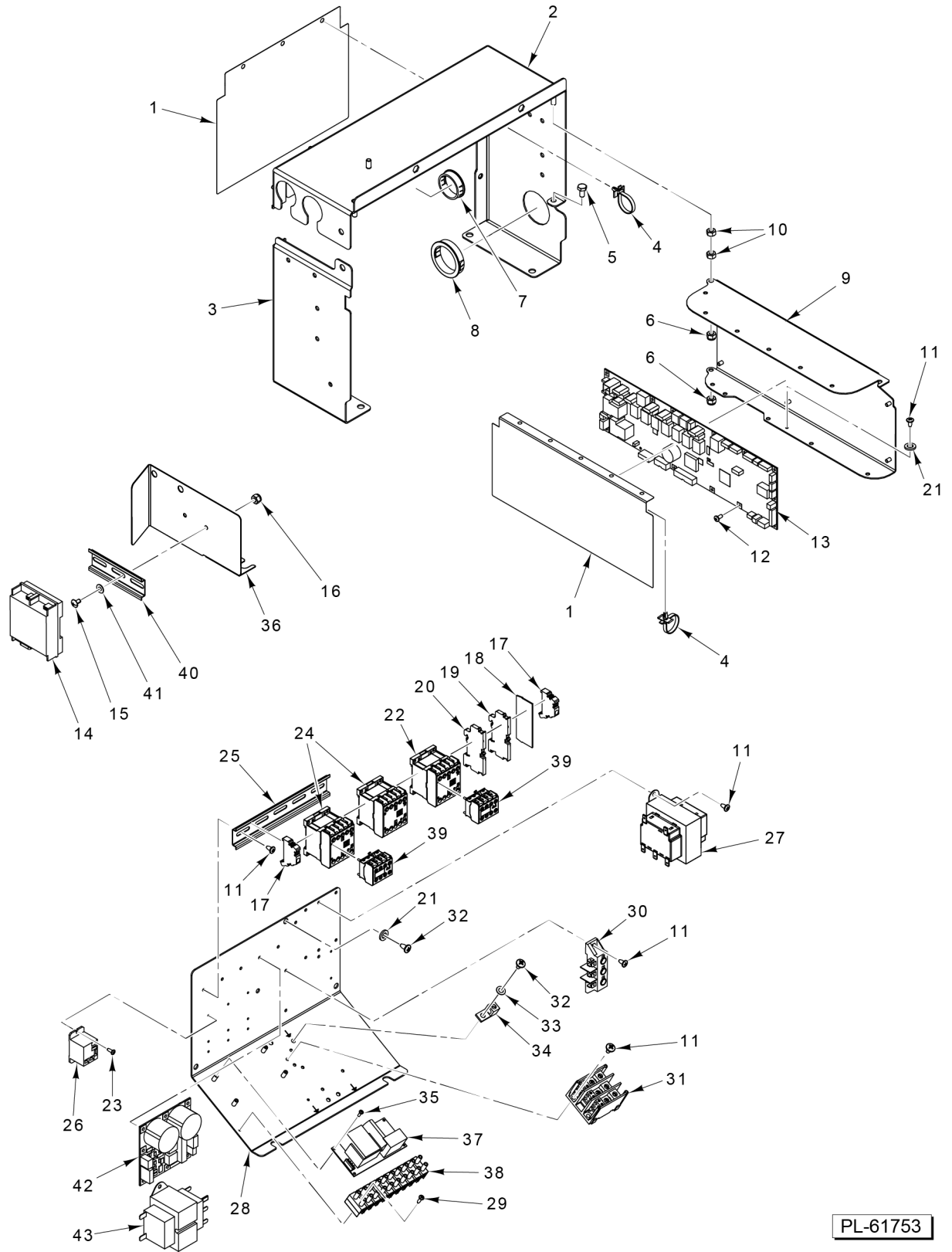
ILLUS. PL-61751	PART NO.	NAME OF PART	AMT.
1	00-563709	Mylar.....	2
2	00-563705	Weldment - Box.....	1
3	00-563089	Plate - Control Box.....	1
4	00-444428	Tie - Cable Releasable.....	AR
5	SC-041-50	Cap Screw 1/4-20 x 1/2 Hex Hd. (SST).....	7
6	NS-047-82	Stop Nut 1/4-20 Hex (SST).....	AR
7	FE-023-53	Bushing - Snap.....	AR
8	FE-027-34	Bushing - Electrical (Snap).....	1
9	00-563708	Mount - Control Board.....	1
10	NS-015-01	Nut 1/4-20 Hex (SST).....	2
11	SD-019-23	Self-Tapping Screw 10-16 x 3/8 Phil. Pan Hd., Type B.....	6
12	SC-129-33	Mach. Screw 8-32 x 3/8 Phil. Pan Hd.....	6
13	00-563722	Board - Control.....	1
14	SC-125-30	Mach. Screw 4-40 x 3/8 Phil. Pan Hd. (SST).....	4
15	00-562890	Block - Terminal (20 Amp.) (10 Pole).....	1
16	00-118544-00002	Lug - Grounding.....	3
17	00-949805-00002	Stop - End.....	2
18	00-562892	Plate - End.....	1
19	00-562720-00002	Block - Terminal (2 CON) (Red).....	1
20	00-562720-00001	Block - Terminal (2 CON) (Black).....	1
21	00-562720-00003	Block - Terminal (4 CON) (Gray).....	2
22	00-562597-00002	Contactor (20 Amp.) (208-240 V. Coil).....	1
23	SD-015-38	Self-Tapping Screw 6-32 x 3/8 Phil. Pan Hd., Type TT.....	6
24	00-562597-00001	Contactor (20 Amp.) (120 V. Coil).....	2
25	00-948824-00004	Rail - Din (7 In.).....	1
26	00-562599-00001	Relay (1 Pole) (40 Amp.) (208-240 V. Coil).....	1
27	00-562609-00002	Transformer (80 VA, 120 V.).....	1
28	00-563704	Plate - Mounting.....	1
29	SD-019-30	Self-Tapping Screw 4-24 x 5/8 Phil. Pan Hd., Type B.....	2
30	00-562895-00001	Block - Terminal.....	1
31	00-562894	Block - Terminal (3-Pole).....	1
32	SD-035-77	Self-Tapping Screw 1/4-20 x 3/8 Phil. Pan Hd., Type TT.....	4
33	WL-007-15	Lockwasher 1/4 External Shakeproof.....	4
34	00-562538-00002	Power Supply (HTS).....	1
35	00-562538-00003	Power Supply (STD).....	1
36	WL-013-11	Lockwasher #10 Internal Shakeproof (SST).....	2
37	00-941941	Board - Power Supply.....	1
38	00-975308	Transformer, 24V, 40VA.....	1
39	FE-027-29	Fuse (4 Amp.) (F1) (F2).....	AR
40	FE-027-30	Fuse (.8 Amp.) (F3).....	AR
41	FE-025-61	Fuse (1.25 Amp.) (250 V.) (F4).....	AR
42	00-563724	Holder - Fuse.....	3



ELECTRICAL COMPONENTS
 (480 V., 60 HZ.; 380-415 V., 50 HZ.; 200-240 V., 50 HZ.)

ELECTRICAL COMPONENTS
(480 V., 60 HZ.; 380-415 V., 50 HZ.; 200-240 V., 50 HZ.)

ILLUS.	PART NO.	NAME OF PART	AMT.
PL-61752			
1	00-563709	Mylar.....	2
2	00-562187	Weldment - Box.....	1
3	00-563089	Plate - Control Box.....	1
4	00-444428	Tie - Cable Releasable.....	AR
5	SC-041-50	Cap Screw 1/4-20 x 1/2 Hex Hd. (SST).....	7
6	NS-047-82	Stop Nut 1/4-20 Hex (SST).....	AR
7	FE-023-53	Bushing - Snap.....	AR
8	FE-027-34	Bushing - Electrical (Snap).....	1
9	00-563708	Mount - Control Board.....	1
10	NS-015-01	Nut 1/4-20 Hex (SST).....	2
11	SD-019-23	Self-Tapping Screw 10-16 x 3/8 Phil. Pan Hd., Type B.....	6
12	SC-129-33	Mach. Screw 8-32 x 3/8 Phil. Pan Hd.....	6
13	00-563722	Board - Control.....	1
14	00-563704	Plate - Mounting.....	1
15	SD-015-38	Self-Tapping Screw 6-32 x 3/8 Phil. Pan Hd., Type TT.....	6
16	SD-019-30	Self-Tapping Screw 4-24 x 5/8 Phil. Pan Hd., Type B.....	2
17	00-949805-00002	Stop - End.....	2
18	00-562892	Plate - End.....	1
19	00-562720-00002	Block - Terminal (2 CON) (Red).....	1
20	00-562720-00001	Block - Terminal (2 CON) (Black).....	1
21	WL-013-11	Lockwasher #10 Internal Shakeproof (SST).....	2
22	00-087714-042-1	Relay (2-Pole) (120 V. Coil) (30 Amp.) (480 V. Units).....	2
23	00-562597-00003	Contactora (20 Amp.) (208-240V. Coil) (480 V. Units).....	1
24	00-562597-00001	Contactora (20 Amp.) (120 V. Coil).....	2
25	00-948824-00004	Rail - Din (7 In.).....	1
26	00-950229-00002	Cover - Mylar (480 V. Units).....	1
27	00-562609-00002	Transformer (80 VA, 120 V.).....	1
28	00-919742-00002	Block - Terminal (480 V. Units).....	1
29	SD-038-02	Self-Tapping Screw 6-20 x 5/8 Phil. Pan Hd., Type B.....	2
30	00-562895-00001	Block - Terminal.....	1
31	00-562894	Block - Terminal (3-Pole).....	1
32	SD-035-77	Self-Tapping Screw 1/4-20 x 3/8 Phil. Pan Hd., Type TT.....	4
33	WL-007-15	Lockwasher 1/4 External Shakeproof.....	4
34	00-118544-00002	Lug - Grounding.....	3
35	SC-125-30	Mach. Screw 4-40 x 3/8 Phil. Pan Hd. (SST).....	4
36	00-562538-00002	Power Supply (HTS).....	1
37	00-562538-00003	Power Supply (STD).....	1
38	00-562632	Transformer (500 VA) (480 V. Units).....	1
39	00-562533	Mount - Transformer (480 V. Units).....	1
40	00-562890	Block - Terminal (20 Amp.) (10 Pole).....	1
41	00-941941	Board - Power Supply.....	1
42	00-975308	Transformer, 24V, 40VA.....	1
43	FE-027-29	Fuse (4 Amp.) (F1) (F2).....	AR
44	FE-027-30	Fuse (.8 Amp.) (F3).....	AR
45	FE-025-61	Fuse (1.25 Amp.) (250 V.) (F4).....	AR



PL-61753

ELECTRICAL COMPONENTS (SCB)

ELECTRICAL COMPONENTS (SCB)

ILLUS.	PART NO.	NAME OF PART	AMT.
1	00-563709	Mylar.....	2
2	00-562187	Weldment - Box.....	1
3	00-563089	Plate - Control Box.....	1
4	00-444428	Tie - Cable Releasable.....	AR
5	SC-041-50	Cap Screw 1/4-20 x 1/2 Hex Hd. (SST).....	7
6	NS-047-82	Stop Nut 1/4-20 Hex (SST).....	AR
7	FE-023-53	Bushing - Snap.....	AR
8	FE-027-34	Bushing - Electrical (Snap).....	1
9	00-563708	Mount - Control Board.....	1
10	NS-015-01	Nut 1/4-20 Hex (SST).....	2
11	SD-019-23	Self-Tapping Screw 10-16 x 3/8 Phil. Pan Hd., Type B.....	6
12	SC-129-33	Mach. Screw 8-32 x 3/8 Phil. Pan Hd.....	6
13	00-563722	Board - Control.....	1
14	00-975355	sPOD.....	1
15	SC-066-05	Mach. Screw 10-24 x 3/8 Phil. Truss Hd. (SST).....	2
16	NS-031-15	Stop Nut 10-24 Hex (SST).....	2
17	00-949805-00002	Stop - End.....	2
18	00-562892	Plate - End.....	1
19	00-562720-00002	Block - Terminal (2 CON) (Red).....	1
20	00-562720-00001	Block - Terminal (2 CON) (Black).....	1
21	WL-013-11	Lockwasher #10 Internal Shakeproof (SST).....	2
22	00-562597-00002	Contactator (20 Amp.) (208-240 V. Coil).....	1
23	SD-015-38	Self-Tapping Screw 6-32 x 3/8 Phil. Pan Hd., Type TT.....	6
24	00-562597-00001	Contactator (20 Amp.) (120 V. Coil).....	2
25	00-948824-00004	Rail - Din (7 In.).....	1
26	00-562599-00001	Relay (1 Pole) (40 Amp.) (208-240 V. Coil).....	1
27	00-562609-00002	Transformer (80 VA, 120 V.).....	1
28	00-563704	Plate - Mounting.....	1
29	SD-019-30	Self-Tapping Screw 4-24 x 5/8 Phil. Pan Hd., Type B.....	2
30	00-562895-00001	Block - Terminal.....	1
31	00-562894	Block - Terminal (3-Pole).....	1
32	SD-035-77	Self-Tapping Screw 1/4-20 x 3/8 Phil. Pan Hd., Type TT.....	4
33	WL-007-15	Lockwasher 1/4 External Shakeproof.....	4
34	00-118544-00002	Lug - Grounding.....	3
35	SC-125-30	Mach. Screw 4-40 x 3/8 Phil. Pan Hd. (SST).....	4
36	00-563822	Bracket (sPOD).....	1
37	00-562538-00003	Power Supply (STD).....	1
38	00-562890	Block - Terminal (20 Amp.) (10 Pole).....	1
39	00-562598	Switch - Auxiliary.....	2
40	00-949145-00003	Rail - Din.....	1
41	WS-019-06	Washer (SST).....	2
42	00-941941	Board - Power Supply.....	1
43	00-975308	Transformer, 24V, 40VA.....	1

Item Number	Cable Designation	Description
1	-	Cable Assy. (24 V. Transformer)
2	-	Cable Assy. (Door SW)
3	-	Cable Assy. (Jumper - Motor Ground)
4	-	Cable Assy. (480 V. Transformer)
5	-	Cable Assy. (Jumper - Rinse Temperature)
6	-	Cable Assy. (DC Power)
7	-	Cable Assy. (TAS)
8	-	Cable Assy. (TFV)
9	-	Cable Assy. (J4)
10	-	Cable Assy. (480 V. VFC)
11	-	Cable Assy. (Power Supply)
12	-	Cable Assy. (Fan/Lock)
13	-	Cable Assy. (480 V. Feeder)
14	-	Cable Assy. (SPOD)
15	-	Cable Assy. (SPOD Supply)
16	-	Cable Assy. (Display)
17	-	Cable Assy. (Keypad)
18	-	Cable Assy. (Strainer)
19	-	Cable Assy. (Control Monitor)
20	-	Cable Assy. (Temp.)
21	-	Cable Assy. (PSI)
22	-	Cable Assy. (Chem.)
23	-	Cable Assy. (Power Signal)
24	-	Cable Assy. (SPOD)
25	-	Cable Assy. (Jumper - Gridpoint)

PL-61766

CABLES

CABLES

ILLUS. PL-61766	PART NO.	NAME OF PART	AMT.
1	00-949025	Cable Assy. (24 V. Transformer).....	1
2	00-563093-00001	Cable Assy. (Door SW).....	1
3	00-947818-00001	Cable Assy. (Jumper - Motor Ground).....	1
4	00-562706	Cable Assy. (480 V. Transformer).....	1
5	00-563093-00004	Cable Assy. (Jumper - Rinse Temperature).....	1
6	00-563741-00001	Cable Assy. (DC Power).....	1
7	00-563741-00002	Cable Assy. (TAS).....	1
8	00-563741-00003	Cable Assy. (TFV).....	1
9	00-563742-00002	Cable Assy. (J4).....	1
10	00-563742-00004	Cable Assy. (480 V. VFC).....	1
11	00-563742-00005	Cable Assy. (Power Supply).....	1
12	00-563742-00006	Cable Assy. (Fan/Lock).....	1
13	00-563742-00007	Cable Assy. (480 V. Feeder).....	1
14	00-563742-00008	Cable Assy. (SPOD).....	1
15	00-563742-00009	Cable Assy. (SPOD Supply).....	1
16	00-563744	Cable Assy. (Display).....	1
17	00-563745	Cable Assy. (Keypad).....	1
18	00-563746-00001	Cable Assy. (Strainer).....	1
19	00-563746-00002	Cable Assy. (Control Monitor).....	1
20	00-563746-00003	Cable Assy. (Temp.).....	1
21	00-563746-00004	Cable Assy. (PSI).....	1
22	00-563746-00005	Cable Assy. (Chem.).....	1
23	00-563746-00006	Cable Assy. (Power Signal).....	1
24	00-563746-00007	Cable Assy. (SPOD Signal).....	1
25	00-563746-00008	Cable Assy. (Jumper - Gridpoint).....	1

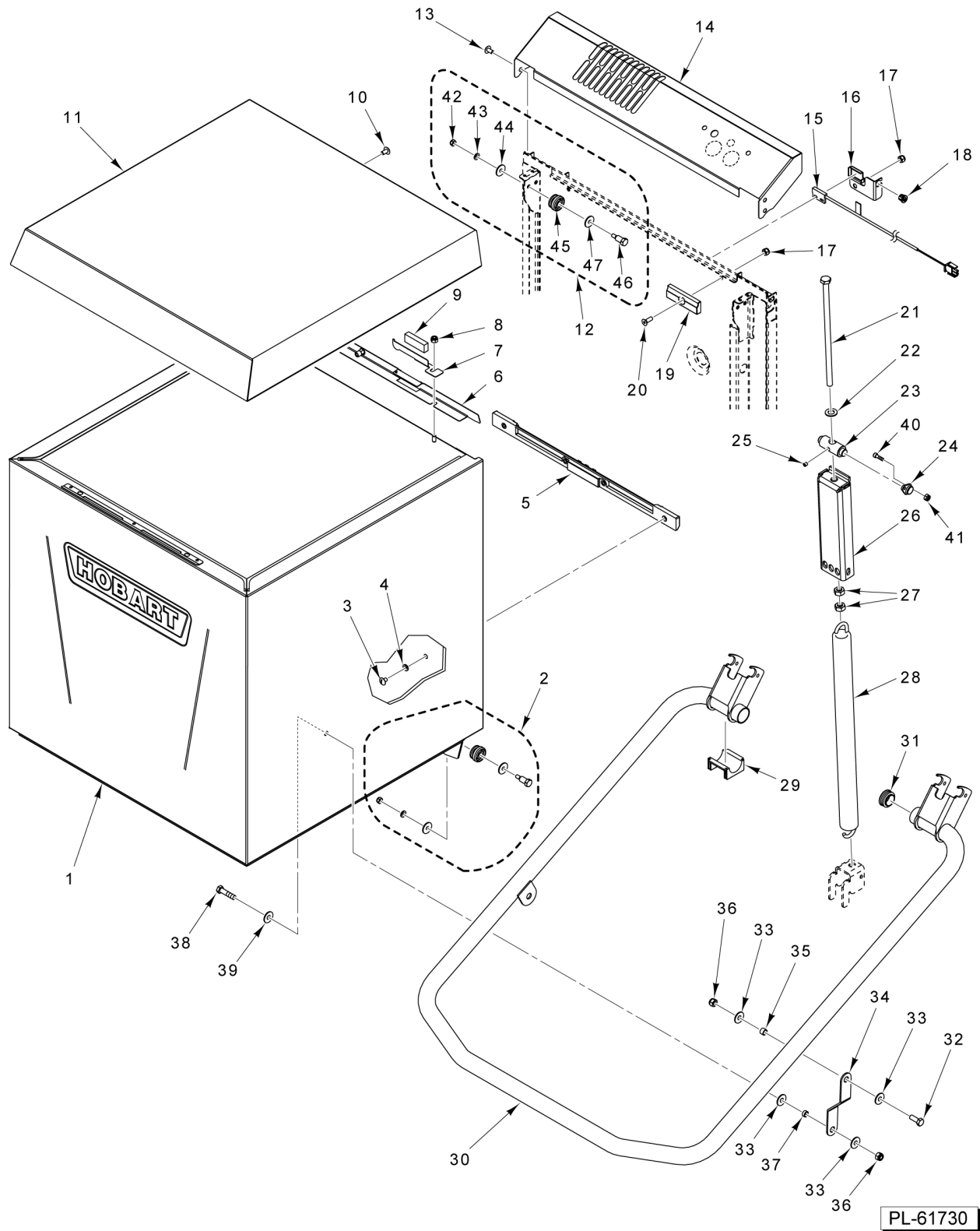
Item Number	Description
1	Lead Wire Assy. (TB1 to Booster Contact) (L1)
2	Lead Wire Assy. (TB1 to Booster Contact) (L2)
3	Lead Wire Assy. (TB1 to Booster Contact) (L3)
4	Lead Wire Assy. (Wash Contact) (L1)
5	Lead Wire Assy. (Wash Contact) (L2)
6	Lead Wire Assy. (Booster Cut Out)
7	Lead Wire Assy. (Tank Cut Out)
8	Lead Wire Assy. (DPS) (L2)
9	Lead Wire Assy. (Ground - Door)
10	Lead Wire Assy. (L1 to TB4)
11	Lead Wire Assy. (L2 to TB4)
12	Lead Wire Assy. (480 V.) (Wash Contact) (L3)
13	Lead Wire Assy. (480 V.) (RPS to TB3)
14	Lead Wire Assy. (480 V.) (RPS Relay)
15	Lead Wire Assy. (Vent In)
16	Lead Wire Assy. (Vent Out)
17	Lead Wire Assy. (CON3 to DPS)
18	Lead Wire Assy. (RPS Relay)
19	Lead Wire Assy. (480 V.) (RPS to TB3) (L1)
20	Lead Wire Assy. (480 V.) (L1 to TB5)
21	Lead Wire Assy. (RPS1 from CONT)
22	Lead Wire Assy. (480 V.) (DPS from CONT)
23	Lead Wire Assy. (SCB, Wash to Booster Toggle)
24	Lead Wire Assy. (SCB, Booster Tank Toggle)
25	Lead Wire Assy. (SCB, Wash Tank Toggle)
26	Lead Wire Assy. (DWT, 120 V. Jumper)
27	Lead Wire Assy. (DWT, Neutral Jumper)
28	Lead Wire Assy. (Neutral)
29	Lead Wire Assy. (TB1 to TB2) (L1)
30	Lead Wire Assy. (TB1 to TB2) (L2)
31	Lead Wire Assy. (TB1 to TB2) (L3)
32	Lead Wire Assy. (TB4 to F1)
33	Lead Wire Assy. (TB2 to C2) (L1)
34	Lead Wire Assy. (TB2 to C2) (L2)
35	Lead Wire Assy. (TB2 to C2) (L3)
36	Lead Wire Assy. (TB4 to F2)
37	Lead Wire Assy. (T1 to F3)
38	Lead Wire Assy. (TB2 to F3 to TB4)
39	Lead Wire Assy. (T1 to L1)
40	Lead Wire Assy. (Drain Pump)
41	Lead Wire Assy. (Neutral Relays)
42	Lead Wire Assy. (TB4 to TB3)
43	Lead Wire Assy. (Wash Pump Contact)
44	Lead Wire Assy. (RPS to C3)
45	Lead Wire Assy. (Neutral BFV)
46	Lead Wire Assy. (L2 Chain)
47	Lead Wire Assy. (Neutral Chain)
48	Lead Wire Assy. (480 V.) (Rinse Pump)
49	Lead Wire Assy. (480 V.) (Jumper TB4)

PL-61767

LEAD WIRE ASSEMBLIES

LEAD WIRE ASSEMBLIES

ILLUS.	PART NO.	NAME OF PART	AMT.
PL-61767			
1	00-563090-00004	Lead Wire Assy.....	1
2	00-563090-00005	Lead Wire Assy.....	1
3	00-563090-00006	Lead Wire Assy.....	1
4	00-563090-00010	Lead Wire Assy.....	1
5	00-563090-00011	Lead Wire Assy.....	1
6	00-563090-00015	Lead Wire Assy.....	1
7	00-563090-00016	Lead Wire Assy.....	1
8	00-563090-00019	Lead Wire Assy.....	1
9	00-563090-00020	Lead Wire Assy.....	1
10	00-563090-00043	Lead Wire Assy.....	1
11	00-563090-00044	Lead Wire Assy.....	1
12	00-563090-00012	Lead Wire Assy.....	1
13	00-563090-00023	Lead Wire Assy.....	1
14	00-563090-00025	Lead Wire Assy.....	1
15	00-563090-00037	Lead Wire Assy.....	1
16	00-563090-00038	Lead Wire Assy.....	1
17	00-563740-00022	Lead Wire Assy.....	1
18	00-563090-00040	Lead Wire Assy.....	1
19	00-563090-00041	Lead Wire Assy.....	1
20	00-563090-00042	Lead Wire Assy.....	1
21	00-563090-00052	Lead Wire Assy.....	1
22	00-563090-00053	Lead Wire Assy.....	1
23	00-563090-00024	Lead Wire Assy.....	1
24	00-563090-00032	Lead Wire Assy.....	1
25	00-563090-00033	Lead Wire Assy.....	1
26	00-563090-00050	Lead Wire Assy.....	1
27	00-563090-00051	Lead Wire Assy.....	1
28	00-563140-00020	Lead Wire Assy.....	1
29	00-563740-00001	Lead Wire Assy.....	1
30	00-563740-00002	Lead Wire Assy.....	1
31	00-563740-00003	Lead Wire Assy.....	1
32	00-563740-00004	Lead Wire Assy.....	1
33	00-563740-00005	Lead Wire Assy.....	1
34	00-563740-00006	Lead Wire Assy.....	1
35	00-563740-00007	Lead Wire Assy.....	1
36	00-563740-00008	Lead Wire Assy.....	1
37	00-563740-00009	Lead Wire Assy.....	1
38	00-563740-00010	Lead Wire Assy.....	1
39	00-563740-00011	Lead Wire Assy.....	1
40	00-563740-00012	Lead Wire Assy.....	1
41	00-563740-00013	Lead Wire Assy.....	1
42	00-563740-00014	Lead Wire Assy.....	1
43	00-563740-00015	Lead Wire Assy.....	1
44	00-563740-00016	Lead Wire Assy.....	1
45	00-563740-00017	Lead Wire Assy.....	1
46	00-563740-00018	Lead Wire Assy.....	1
47	00-563740-00019	Lead Wire Assy.....	1
48	00-563740-00020	Lead Wire Assy.....	1
49	00-563740-00021	Lead Wire Assy.....	1

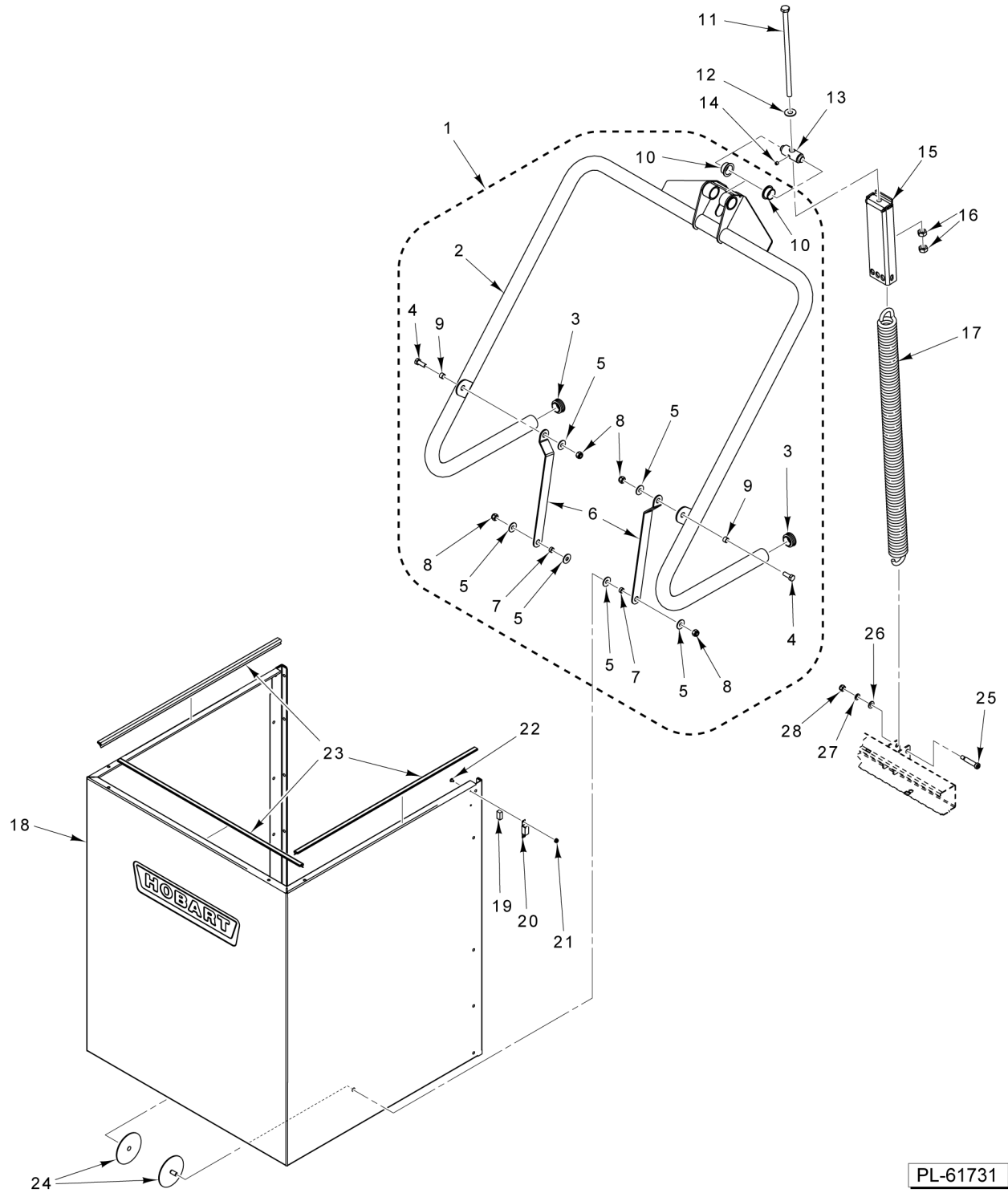


PL-61730

**DOOR ASSEMBLY
(STANDARD HEIGHT)**

DOOR ASSEMBLY (STANDARD HEIGHT)

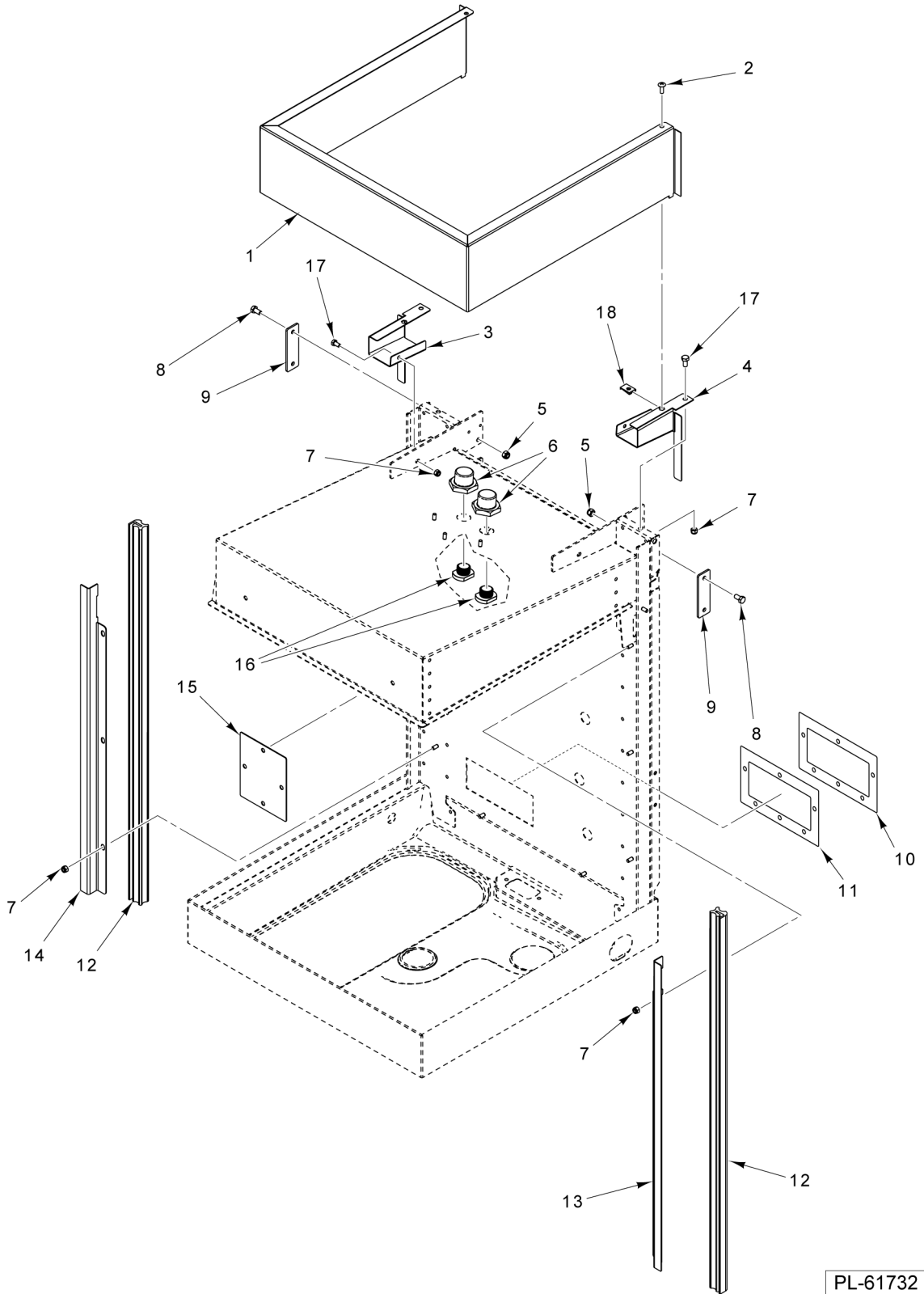
ILLUS. PL-61730	PART NO.	NAME OF PART	AMT.
1	00-974652-00002	Hood Weldment.....	1
2	00-974678	Roller Assy. (Incls. Items 42 thru 47).....	2
3	SC-122-45	Mach. Screw 1/4-20 x 3/8 Slotted Truss Hd.....	4
4	WL-006-17	Lockwasher 1/4 Helical (SST).....	3
5	00-562633	Stop - Door.....	1
6	00-562314	Cover - Magnet.....	1
7	00-562129	Bracket - Magnet.....	1
8	NS-047-82	Stop Nut 1/4-20 Hex (SST).....	2
9	00-290160	Magnet.....	1
10	SC-125-15	Mach. Screw 1/4-20 x 1/2 Phil. Truss Hd.....	1
11	00-974682-00001	Top.....	1
12	00-974678	Roller Assy. (Incls. Items 42 thru 47).....	2
13	SC-125-15	Mach. Screw 1/4-20 x 1/2 Phil. Truss Hd.....	2
14	00-974683-00002	Cover - Top.....	1
15	00-941429-00002	Switch Assy. - Interlock.....	1
16	00-562534	Bracket - Mounting (Reed Switch).....	1
17	NS-047-82	Stop Nut 1/4-20 Hex (SST).....	2
18	FE-016-23	Bushing.....	1
19	00-562636	Stop - Door.....	2
20	SC-022-40	Mach. Screw 1/4-20 x 3/4 Phil. Flat Hd. (SST).....	2
21	00-605253-00001	Bolt M10 x 240.....	2
22	WS-028-22	Washer (SST).....	2
23	00-975312	Bearing - Tee Bolt.....	2
24	00-562726-00003	Bushing - Flanged.....	4
25	SC-055-02	Set Screw 1/4-20 x 1/4 Hex Hdls., Cup Pt. (SST).....	2
26	00-974686-00001	Bracket - Spring Adjustment.....	2
27	NS-049-39	Nut M10 x 1.5 Hex.....	4
28	01-515929-00001	Spring.....	2
29	00-974689	Bushing.....	2
30	00-974670	Lift Arm Assy. (Incls. Items 31 thru 37).....	1
31	00-918049	Plug - Lift Arm.....	2
32	SC-041-12	Cap Screw 5/16-18 x 7/8 Hex Hd. (SST).....	2
33	WS-017-01	Washer 0.328 x 0.875 x 0.062 (SST).....	9
34	00-974674-00001	Linkage - Lift (Short).....	2
35	00-893014-00001	Spacer Door Link (Upper).....	2
36	NS-036-19	Stop Nut 5/16-18 Hex Special (SST).....	4
37	00-893014-00002	Spacer - Door Link (Lower).....	2
38	SC-141-12	Screw 5/16-18.....	2
39	WS-017-01	Washer 0.328 x 0.875 x 0.062 (SST).....	2
40	SC-059-13	Cap Screw 8/32 x 1/2 Hex Socket Hd. (SST).....	4
41	NS-031-08	Stop Nut 8-32 Special (SST).....	4
42	NS-048-03	Stop Nut M6 (SST).....	2
43	WL-006-17	Lockwasher 1/4 Helical (SST).....	2
44	WS-003-45	Washer.....	2
45	00-562079	Roller.....	2
46	01-515535-00001	Shoulder Bolt 10mm x 15.7 x M6-1.0.....	2
47	WS-029-29	Washer (SST).....	2



DOOR ASSEMBLY (HTS)

DOOR ASSEMBLY (HTS)

ILLUS.	PART NO.	NAME OF PART	AMT.
PL-61731			
1	00-974675	Lift Arm Assy. (Incls. Items 2 thru 10).....	1
2	00-974676	Arm Weldment.....	AR
3	00-918049	Plug - Lift Arm.....	2
4	SC-041-12	Cap Screw 5/16-18 x 7/8 Hex Hd. (SST).....	2
5	WS-017-01	Washer 0.328 x 0.875 x 0.062 (SST).....	9
6	00-974674-00002	Linkage - Lift (Long).....	2
7	00-893014-00001	Spacer Door Link (Upper).....	2
8	NS-036-19	Stop Nut 5/16-18 Hex Special (SST).....	4
9	00-893014-00002	Spacer - Door Link (Lower).....	2
10	00-562726-00001	Bushing.....	2
11	00-605253-00001	Bolt M10 x 240.....	1
12	WS-028-22	Washer (SST).....	1
13	00-975312	Bearing - Tee Bolt.....	1
14	SC-055-02	Set Screw 1/4-20 x 1/4 Hex Hdls., Cup Pt. (SST).....	1
15	00-974686-00001	Bracket - Spring Adjustment.....	1
16	NS-049-39	Nut M10 x 1.5 Hex.....	2
17	00-974688	Spring.....	1
18	00-975066	Door Wrap Weldment.....	1
19	00-111941	Magnet.....	1
20	00-893111	Magnet - Mount.....	1
21	NS-031-50	Stop Nut 6-32 Hex (SST).....	2
22	SC-066-01	Mach. Screw 6-32 x 1/4 Phil. Truss Hd. (SST).....	2
23	00-893834	Seal - Top Cover (Tall).....	3
24	00-893226	Stiffener - Door Plate.....	2
25	SC-086-09	Shoulder Screw 3/8 Dia. x 1-1/2 Lg. 5/16-18 Hex Socket Hd.....	1
26	WS-005-32	Washer (SST).....	1
27	WL-006-23	Lockwasher 5/16 Helical (SST).....	1
28	NS-036-19	Stop Nut 5/16-18 Hex Special (SST).....	1

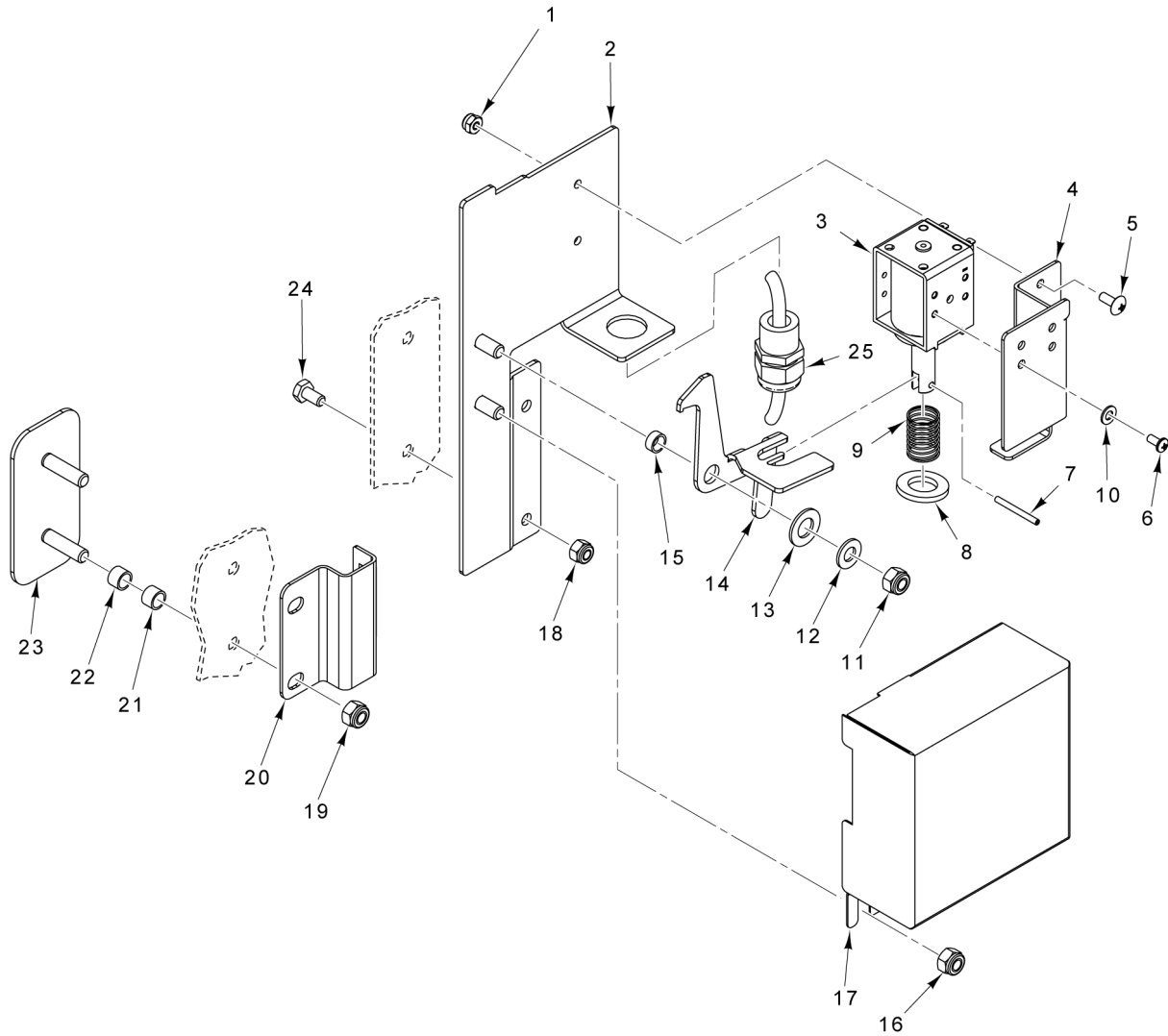


PL-61732

CHAMBER GUIDES AND TOP PANEL (HTS)

CHAMBER GUIDES AND TOP PANEL (HTS)

ILLUS. PL-61732	PART NO.	NAME OF PART	AMT.
1	00-975068-00001	Trim - Top.....	1
2	SC-131-81	Mach. Screw 1/4-20 x 3/4 Cross Truss Hd. (SST).....	2
3	00-975495-00001	Bracket - Top (Left).....	1
4	00-975495-00002	Bracket - Top (Right).....	1
5	NS-036-19	Stop Nut 5/16-18 Hex Special (SST).....	4
6	00-774670-00001	Intake.....	2
7	NS-047-82	Stop Nut 1/4-20 Hex (SST).....	4
8	SC-041-10	Cap Screw 5/16-18 x 5/8 Hex Hd. (SST).....	4
9	00-975497	Strut.....	2
10	00-563018	Cover (Non-Ventless).....	1
11	00-562940	Gasket - Cover (Non-Ventless).....	1
12	00-918458-00006	Guide - Door.....	2
13	00-975063-00002	Support - Guide (Right).....	1
14	00-975063-00001	Support - Guide (Left).....	1
15	00-562768	Cover (Non-Ventless).....	1
16	01-531721-00001	Screwing R3/4.....	2
17	SC-041-05	Cap Screw 1/4-20 x 5/8 Hex Hd. (SST).....	4
18	00-975045	Speed Nut 1/4-20 (SST).....	2

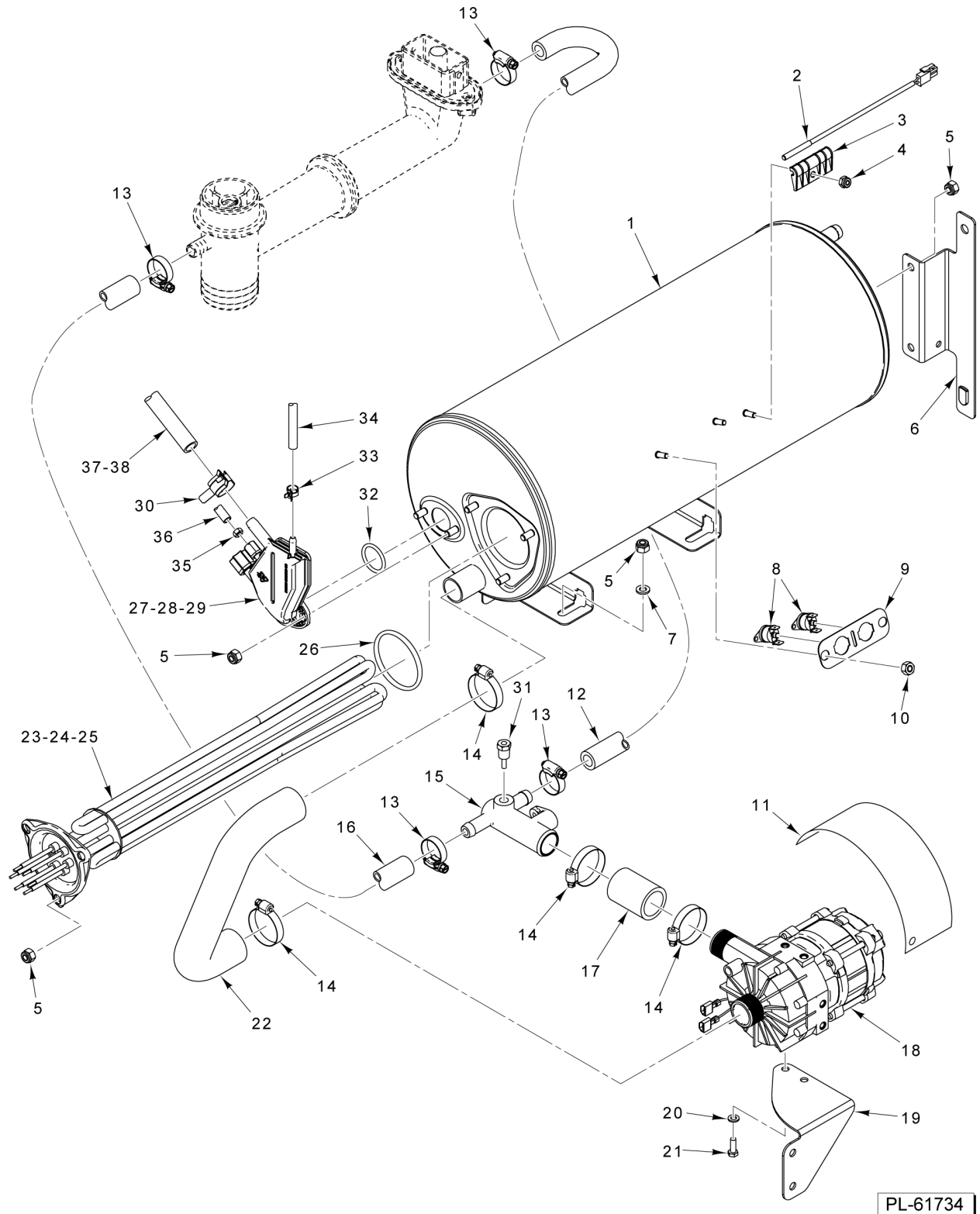


PL-61733

DOOR LOCK ASSEMBLY

DOOR LOCK ASSEMBLY

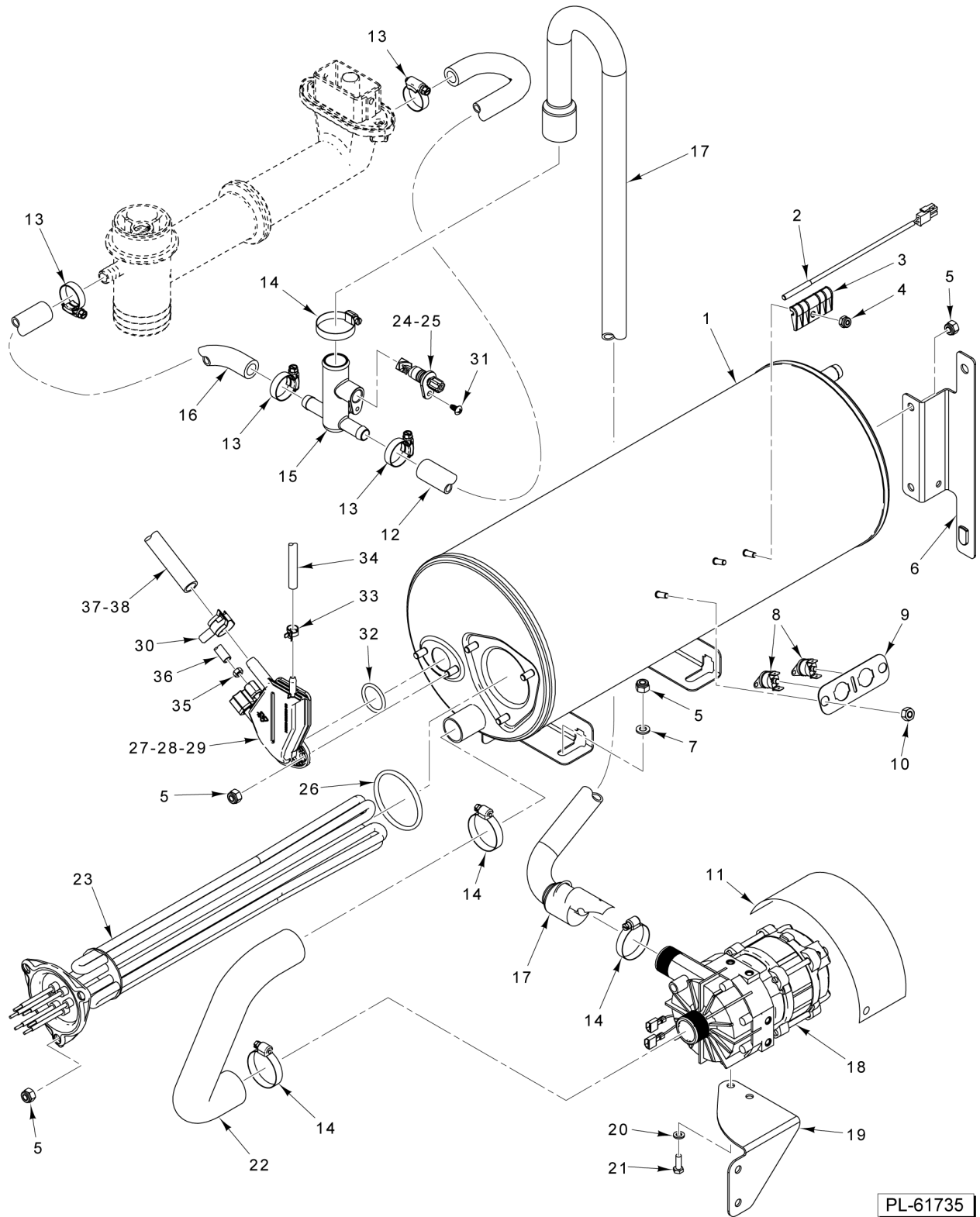
ILLUS. PL-61733	PART NO.	NAME OF PART	AMT.
1	NS-031-15	Stop Nut 10-24 Hex (SST).....	2
2	00-562159	Plate - Solenoid.....	1
3	00-562710	Solenoid (24 VDC).....	1
4	00-562160	Bracket - Solenoid.....	1
5	SC-066-06	Mach. Screw 10-24 x 1/2 Phil. Truss Hd. (SST).....	2
6	SC-120-35	Mach. Screw 8-32 x 3/8 Phil. Pan Hd. (SST).....	4
7	RP-003-47	Pin - Roll 1/8 In x 1-1/4 In. Lg.....	1
8	WS-010-40	Washer - Thrust.....	1
9	00-941249	Spring.....	1
10	WL-006-01	Lockwasher #8 Helical (SST).....	4
11	NS-036-19	Stop Nut 5/16-18 Hex Special (SST).....	1
12	WS-005-32	Washer (SST).....	1
13	WS-021-01	Washer (SST).....	1
14	00-562162	Lock.....	1
15	00-893014-00002	Spacer - Bushing.....	1
16	NS-036-19	Stop Nut 5/16-18 Hex Special (SST).....	1
17	00-562161	Cover - Receiver.....	1
18	NS-047-82	Stop Nut 1/4-20 Hex (SST).....	2
19	NS-036-19	Stop Nut 5/16-18 Hex Special (SST).....	2
20	00-941244	Receiver - Door.....	1
21	00-893014-00001	Spacer - Bushing (STD Only).....	2
22	00-893014-00003	Spacer - Bushing.....	2
23	00-941247-00002	Plate - Mounting.....	1
24	SC-041-50	Cap Screw 1/4-20 x 1/2 Hex Hd. (SST).....	2
25	00-563093-00003	Cable Assy. (Door Lock) (Incls. Strain Relief).....	1



**ELECTRIC BOOSTER AND RINSE PUMP
(ALL EXCEPT AM16SCBX)**

**ELECTRIC BOOSTER AND RINSE PUMP
(ALL EXCEPT AM16SCBX)**

ILLUS. PL-61734	PART NO.	NAME OF PART	AMT.
1	00-950429	Booster.....	1
2	00-775612-00001	Sensor - Temperature.....	1
3	01-297719-00001	Bracket - Temp. Sensor.....	1
4	NS-031-15	Stop Nut 10-24 Hex (SST).....	1
5	NS-047-82	Stop Nut 1/4-20 Hex (SST).....	AR
6	00-947978	Bracket - Booster.....	1
7	WS-022-01	Washer (SST).....	4
8	00-942185	Protector - High Limit.....	2
9	00-941630	Bracket - High Limit.....	1
10	NS-031-15	Stop Nut 10-24 Hex (SST).....	2
11	00-949691	Cover - Mylar (Rinse Pump).....	1
12	00-562900	Hose.....	1
13	00-528499	Clamp - Hose.....	4
14	00-557627	Clamp - Hose.....	4
15	00-950546-00001	Manifold - Rinse (Hot).....	1
16	00-329017-00014	Hose.....	1
17	00-941731-00001	Hose - Outlet (1-3/4 In.).....	1
18	00-942096-00002	Pump - Rinse (208-240 V., 60 Hz.).....	1
19	00-947979	Bracket - Rinse Pump.....	1
20	WL-006-17	Lockwasher 1/4 Helical (SST).....	2
21	SC-118-47	Cap Screw M6 x 1.0 x 16mm Hex Hd.....	2
22	00-950435	Hose (Rinse Pump).....	1
23	00-562262-00001	Heater - Booster (208-240 V.) (9.5KW) (Incls. Wires, Terminals, and Item 26).....	1
24	00-562262-00002	Heater - Booster (440-480 V.) (9.5KW) (Incls. Wires, Terminals, and Item 26).....	1
25	00-562262-00003	Heater - Booster (380-415 V.) (9.5KW) (Incls. Wires, Terminals, and Item 26).....	1
26	00-067500-00034	O-Ring (Included with Items 23, 24, & 25).....	1
27	00-562565-00001	Air Trap (Fill).....	2
28	00-562608-00003	Fitting - Compression 1/4 In. (With Delime).....	2
29	00-562608-00004	Fitting - Compression 1/4 In. (Blind Nut) (Without Delime).....	2
30	00-558090	Clamp.....	2
31	00-328994	Probe Assy. - Rinse.....	1
32	OR-001-21	O-Ring.....	1
33	01-246214-00003	Clamp.....	1
34	00-562965-00001	Tubing (33 In.).....	1
35	00-562608-00001	Fitting - Compression 1/8 In.....	1
36	00-563074-00004	Tube (1/8 O.D) (68 In.).....	AR
37	00-941726-00019	Hose 3/8 (46 In. Lg.) (Base, Base Ventless, ASR).....	1
38	00-941726-00025	Hose (Advansys).....	1

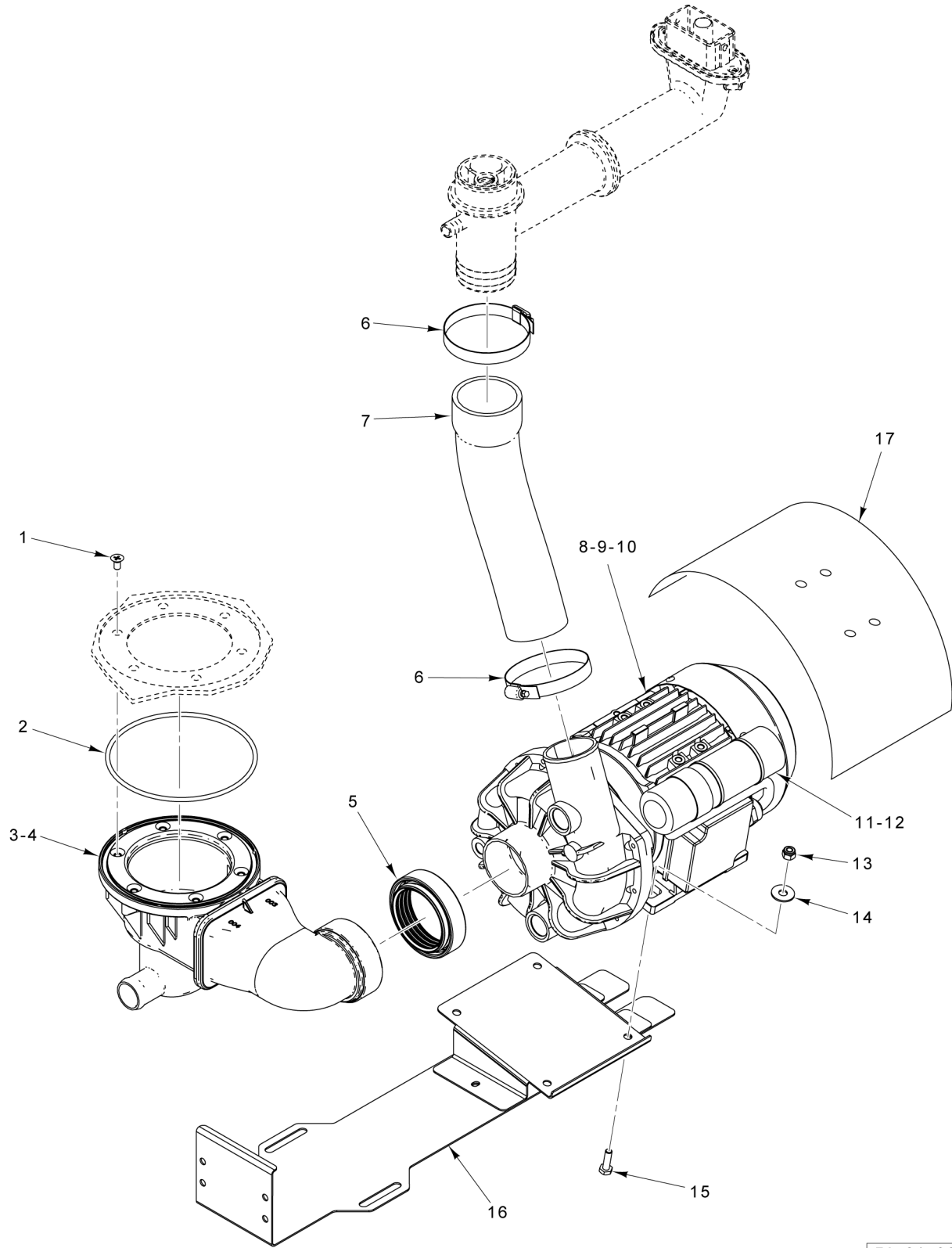


PL-61735

ELECTRIC BOOSTER AND RINSE PUMP (AM16SCBX)

ELECTRIC BOOSTER AND RINSE PUMP (AM16SCBX)

ILLUS. PL-61735	PART NO.	NAME OF PART	AMT.
1	00-950429	Booster.....	1
2	00-775612-00001	Sensor - Temperature.....	1
3	01-297719-00001	Bracket - Temp. Sensor.....	1
4	NS-031-15	Stop Nut 10-24 Hex (SST).....	1
5	NS-047-82	Stop Nut 1/4-20 Hex (SST).....	AR
6	00-947978	Bracket - Booster.....	1
7	WS-022-01	Washer (SST).....	4
8	00-942185	Protector - High Limit.....	2
9	00-941630	Bracket - High Limit.....	1
10	NS-031-15	Stop Nut 10-24 Hex (SST).....	2
11	00-949691	Cover - Mylar (Rinse Pump).....	1
12	00-562900	Hose.....	1
13	00-528499	Clamp - Hose.....	4
14	00-557627	Clamp - Hose.....	4
15	00-950546-00002	Manifold - Rinse (Chemical).....	1
16	00-329017-00014	Hose.....	1
17	00-562876	Hose (Rinse Pump).....	1
18	00-942096-00002	Pump - Rinse (208-240 V., 60 Hz.).....	1
19	00-947979	Bracket - Rinse Pump.....	1
20	WL-006-17	Lockwasher 1/4 Helical (SST).....	2
21	SC-118-47	Cap Screw M6 x 1.0 x 16mm Hex Hd.....	2
22	00-950435	Hose (Rinse Pump).....	1
23	00-562905	Heater - Booster (208-240 V.) (5.7KW) (Incls. Wires, Terminals, and Item 26).....	1
24	00-950463-00004	Injector Assy. (Chemical Tee) (Incls. Item 25).....	1
25	00-950309-00001	O-Ring.....	2
26	00-067500-00034	O-Ring (Included with Item 23).....	1
27	00-562565-00001	Air Trap (Fill).....	2
28	00-562608-00003	Fitting - Compression 1/4 In. (With Delime).....	2
29	00-562608-00004	Fitting - Compression 1/4 In. (Blind Nut) (Without Delime).....	2
30	00-558090	Clamp.....	2
31	SD-039-65	Self-Tapping Screw 10-16 x 3/8 Phil. Pan Hd., Type BF (SST).....	1
32	OR-001-21	O-Ring.....	1
33	01-246214-00003	Clamp.....	1
34	00-562965-00001	Tubing (33 In.).....	1
35	00-562608-00001	Fitting - Compression 1/8 In.....	1
36	00-563074-00004	Tube (1/8 O.D) (68 In.).....	AR
37	00-941726-00019	Hose 3/8 (46 In. Lg.) (Base, Base Ventless, ASR).....	1
38	00-941726-00025	Hose (Advansys).....	1

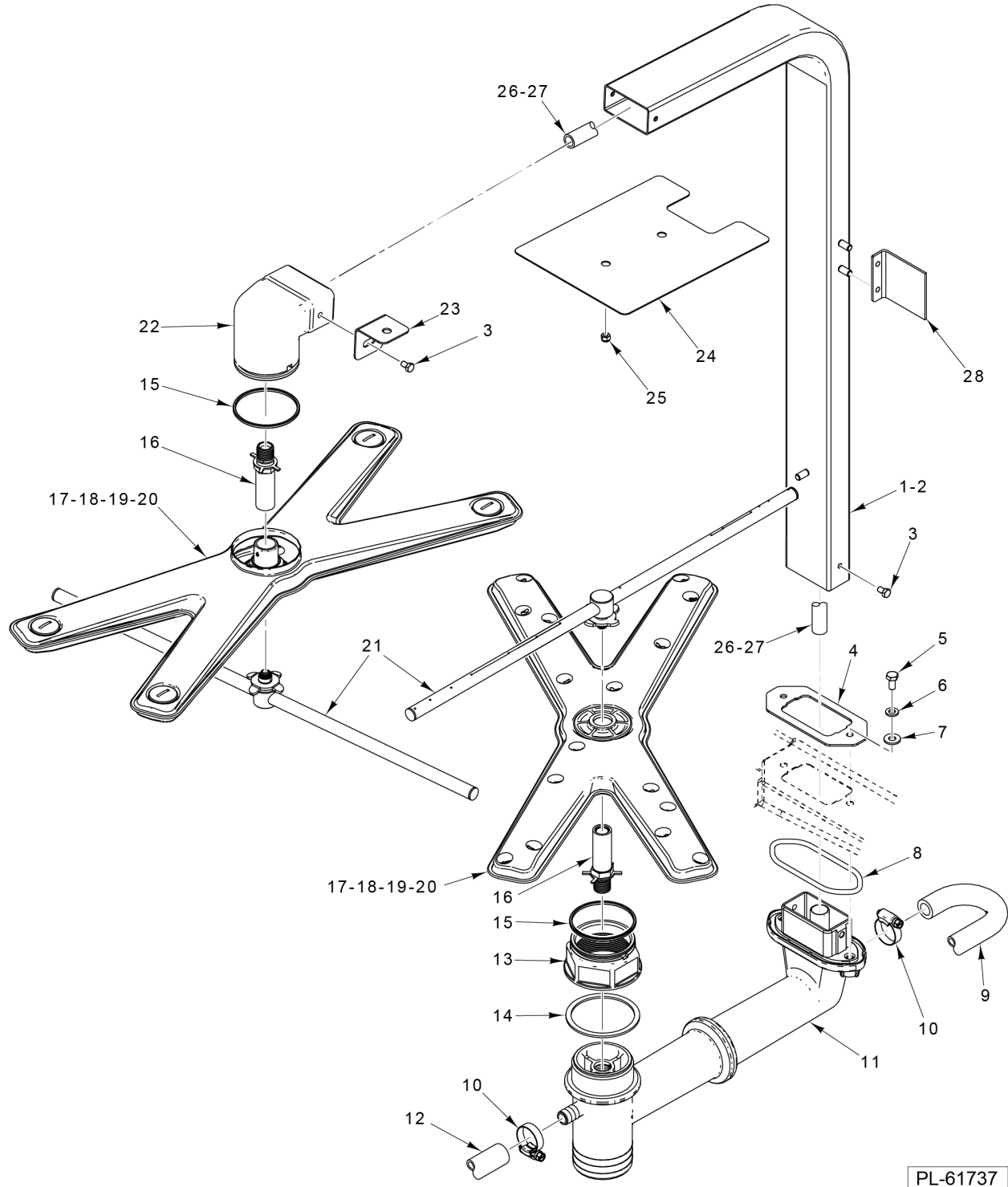


PL-61736

WASH PUMP ASSEMBLY

WASH PUMP ASSEMBLY

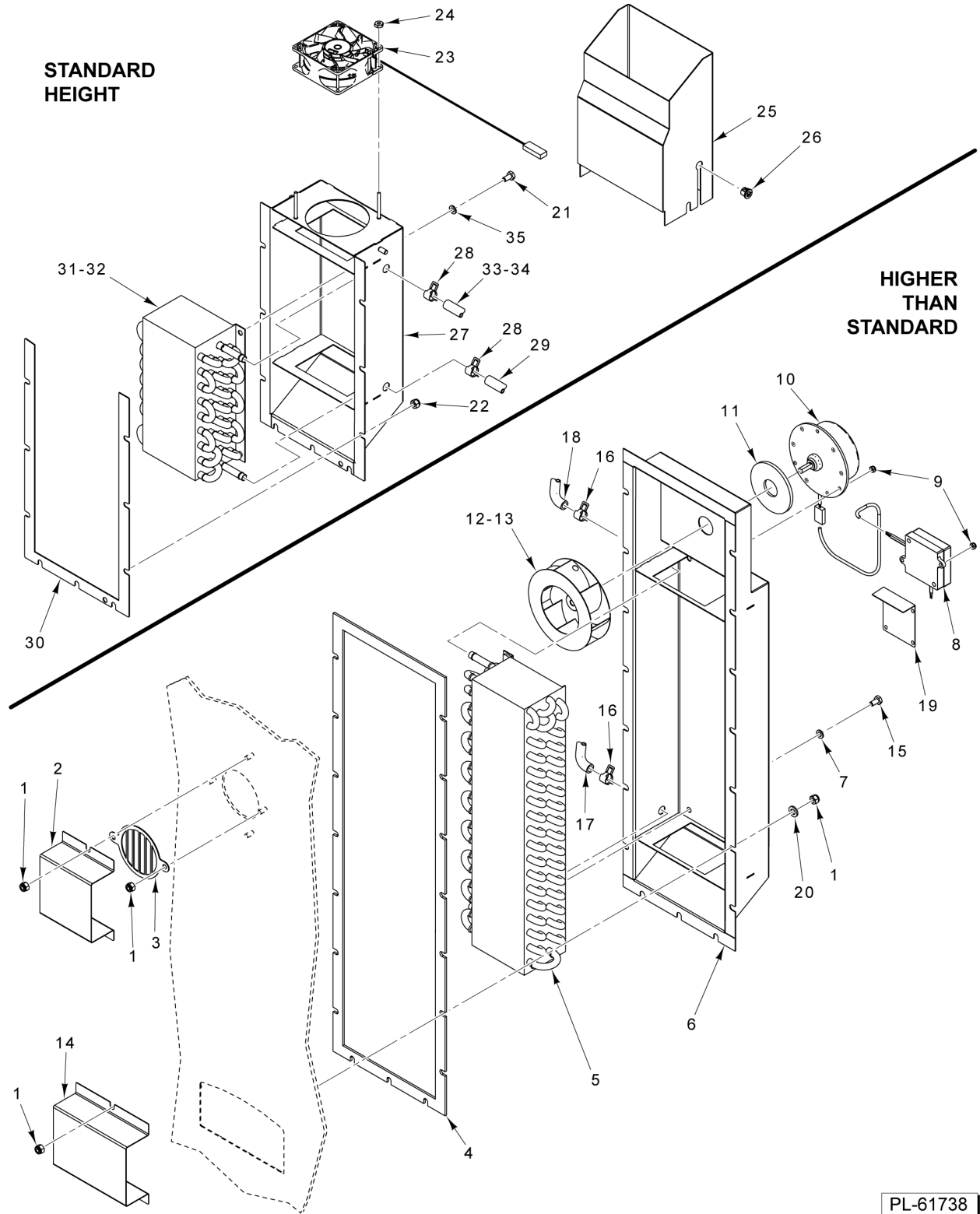
ILLUS.	PART NO.	NAME OF PART	AMT.
PL-61736			
1	SC-128-10	Mach. Screw M6 x 1 x 12 mm Phil. Flat Hd.....	6
2	OR-001-25	O-Ring.....	1
3	01-515652-00001	Flange - Tank.....	1
4	01-515652-00002	Flange - Tank (ASR).....	1
5	01-515893-00001	Gasket (Green).....	1
6	00-522162	Clamp - Hose.....	2
7	00-975498	Hose (Wash Output).....	1
8	00-562075-00002	Motor - Pump (2 Hp.) (208-240 V. Units).....	1
9	00-562075-00001	Motor - Pump (1.5 Hp.) (380-415 V. Units).....	1
10	00-562075-00001	Motor - Pump (1.5 Hp.) (480 V. Units).....	1
11	00-563017	Bracket (Used with Item 8).....	1
12	00-941233-00014	Capacitor 1 Ph. (Used with Item 8).....	1
13	NS-047-82	Stop Nut 1/4-20 Hex (SST).....	2
14	WS-017-01	Washer 0.328 x 0.875 x 0.062 (SST).....	2
15	SC-109-47	Cap Screw 1/4-20 x 7/8 Hex Hd. (SST).....	2
16	00-562535	Mount - Pump.....	1
17	00-563298	Cover - Mylar.....	1



WASH AND RINSE ARM ASSEMBLY

WASH AND RINSE ARM ASSEMBLY

ILLUS.	PART NO.	NAME OF PART	AMT.
PL-61737			
1	00-975051-00001	Tube - Wash (STD).....	1
2	00-975051-00002	Tube - Wash (HTS).....	1
3	SC-120-50	Cap Screw M5 x 0.8 x 8mm Hex Hd.....	4
4	00-562319	Plate, Manifold Reinforcement.....	1
5	SC-118-47	Cap Screw M6 x 1.0 x 16mm Hex Hd.....	2
6	WL-006-17	Lockwasher 1/4 Helical (SST).....	2
7	WS-017-06	Washer (SST).....	2
8	00-562320	Gasket - Manifold.....	1
9	00-562900	Hose.....	1
10	00-528499	Clamp - Hose.....	2
11	01-515649-00001	Manifold Assy.....	1
12	00-329017-00014	Hose.....	1
13	00-948821-00002	Nut - Wash.....	1
14	00-948986-00001	Gasket - Wash Arm.....	1
15	00-562078	Ring - Retaining.....	2
16	00-562649	Shaft.....	2
17	00-975054	Wash Arm Assy. (Incls. Items 18, 19, & 20).....	2
18	00-886610	Kit - Plug (Wash Arm) (2 Per Kit).....	AR
19	00-975055	Guide - Wash Arm.....	2
20	01-510678-00001	Nut - Wash Arm.....	2
21	00-562644-00001	Rinse Arm Assy.....	2
22	00-883466-00001	Hub, Upper Wash Arm.....	1
23	00-975060	Bracket - Support (HTS).....	1
24	00-562318	Deflector (HTS).....	1
25	NS-047-82	Stop Nut 1/4-20 Hex (SST) (HTS).....	2
26	00-975052-00001	Pipe - Rinse (STD).....	1
27	00-975052-00002	Pipe - Rinse (HTS).....	1
28	00-563814	Bracket (Rapid Fill).....	1

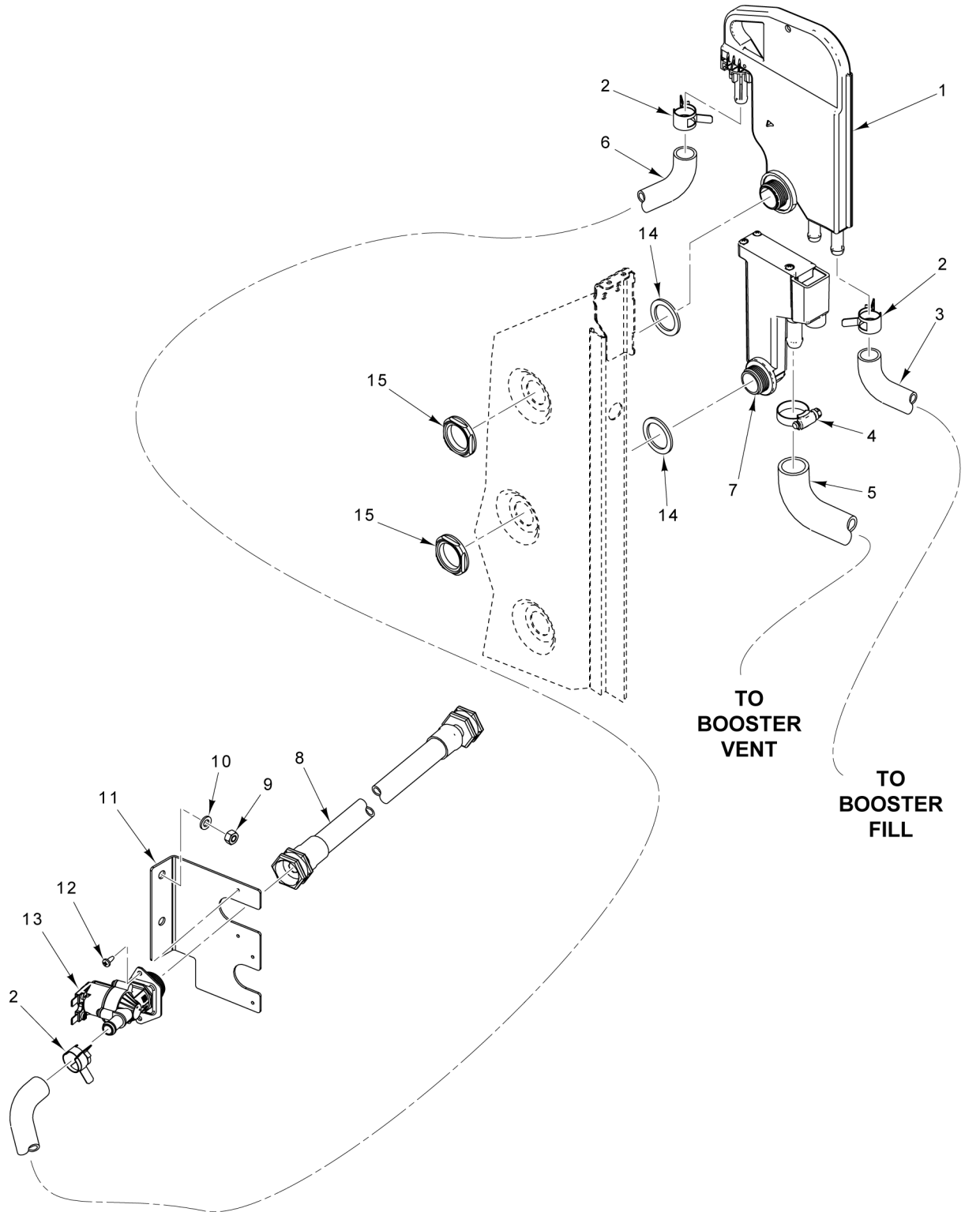


PL-61738

VENTLESS RECOVERY SYSTEM

VENTLESS RECOVERY SYSTEM

ILLUS.	PART NO.	NAME OF PART	AMT.
PL-61738			
1	NS-047-82	Stop Nut 1/4-20 Hex (SST) (HTS).....	AR
2	00-562486	Cover (HTS).....	1
3	00-562703	Cover - Vent (HTS).....	1
4	00-562062	Gasket (HTS).....	1
5	00-562702	Coil (HTS).....	1
6	00-562297	Enclosure (HTS).....	1
7	WL-006-17	Lockwasher 1/4 Helical (SST) (HTS).....	2
8	00-562780	Controller (24VDC) (HTS).....	1
9	NS-031-50	Stop Nut 6-32 Hex (SST) (HTS).....	5
10	00-562180	Motor DC (HTS).....	1
11	00-562228	Gasket (HTS).....	1
12	00-562173	Impeller (HTS).....	1
13	SC-117-84	Set Screw 1/4-20 x 5/16 Hex Hdls, Cup Pt (HTS).....	1
14	00-562485	Guide (HTS).....	1
15	SC-041-50	Cap Screw 1/4-20 x 1/2 Hex Hd. (SST) (HTS).....	2
16	00-558090	Clamp (HTS).....	2
17	00-941726-00011	Hose 3/8 (62 In. Lg.) (HTS).....	1
18	00-941726-00024	Hose (HTS).....	1
19	00-563028	Bracket - Mounting (HTS).....	1
20	WS-017-06	Washer (SST) (HTS).....	AR
21	SC-041-50	Cap Screw 1/4-20 x 1/2 Hex Hd. (SST) (STD).....	2
22	NS-047-82	Stop Nut 1/4-20 Hex (SST) (STD).....	AR
23	00-975453	Fan (24 V.) (STD).....	1
24	NS-031-08	Stop Nut 8-32 Special (SST) (STD).....	4
25	00-562698	Cover - Exhaust (STD).....	1
26	FE-016-23	Bushing (STD).....	1
27	00-975341	Enclosure - Coil (STD).....	1
28	00-558090	Clamp (STD).....	2
29	00-941726-00011	Hose 3/8 (62 In. Lg.) (STD).....	1
30	00-975457	Gasket - Housing (STD).....	1
31	00-974622-00002	Coil (STD).....	1
32	00-562928-00002	Coil (STD) (SCB).....	1
33	00-941726-00007	Hose 3/8 (15 In. Lg.) (AM16VL) (STD).....	1
34	00-941726-00018	Hose 3/8 (96 In. Lg.) (AM16SCB) (STD).....	1
35	WL-006-17	Lockwasher 1/4 Helical (SST) (STD).....	2

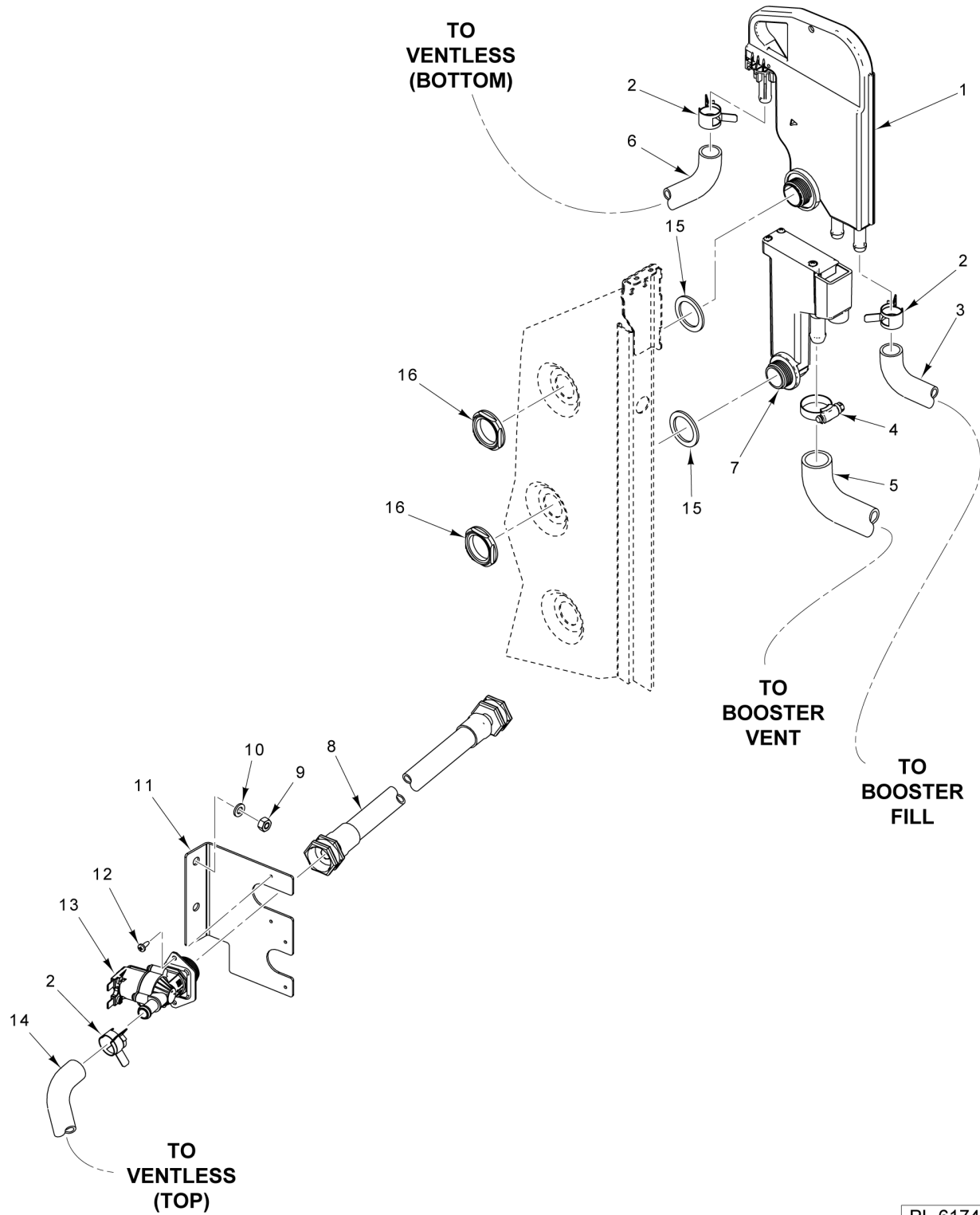


PL-61739

WATER FILL AND AIR GAP (BASE)

WATER FILL AND AIR GAP (BASE)

ILLUS.	PART NO.	NAME OF PART	AMT.
PL-61739			
1	01-297510-00001	Air Gap.....	1
2	00-558090	Clamp.....	AR
3	00-941726-00019	Hose 3/8 (46 In. Lg.) (Air Gap to Booster Fill).....	1
4	00-528499	Clamp - Hose.....	AR
5	00-329017-00003	Hose 1/2 x 19-3/8 (Manifold to Booster Vent).....	1
6	00-941726-00011	Hose 3/8 (62 In. Lg.) (Air Gap to Fill Valve).....	1
7	00-948624-00001	Manifold - Fill.....	1
8	00-293408-00002	Hose - Fill Assy.....	1
9	NS-015-01	Nut 1/4-20 Hex (SST).....	2
10	WL-006-17	Lockwasher 1/4 Helical (SST).....	2
11	00-975300	Bracket.....	1
12	SC-124-99	Mach. Screw M4 x 0.7 x 6mm Phil. Truss Hd.....	2
13	00-563072-00002	Valve (15 L/Min) (Green Inlet Restrictor).....	1
14	00-941940	Washer - Air Gap.....	2
15	00-974952	Nut - Adapter.....	2

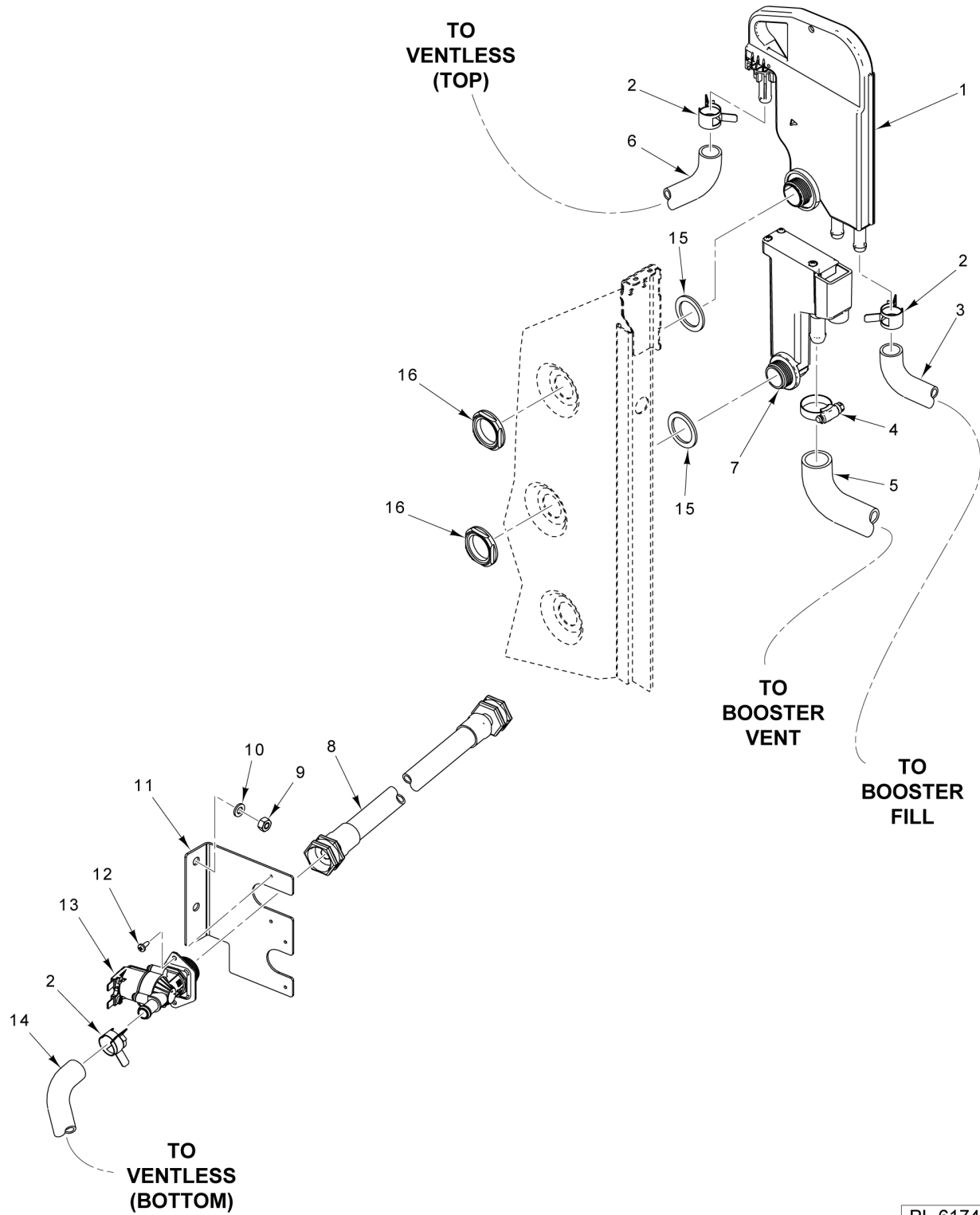


PL-61740

**WATER FILL AND AIR GAP
(VENTLESS) (STD)**

**WATER FILL AND AIR GAP
(VENTLESS) (STD)**

ILLUS. PL-61740	PART NO.	NAME OF PART	AMT.
1	01-297510-00001	Air Gap.....	1
2	00-558090	Clamp.....	AR
3	00-941726-00019	Hose 3/8 (46 In. Lg.) (Air Gap to Booster Fill).....	1
4	00-528499	Clamp - Hose.....	AR
5	00-329017-00003	Hose 1/2 x 19-3/8 (Fill Manifold to Booster Vent).....	1
6	00-941726-00007	Hose 3/8 (15 In. Lg.) (Air Gap to Ventless).....	1
7	00-948624-00001	Manifold - Fill.....	1
8	00-293408-00002	Hose - Fill Assy.....	1
9	NS-015-01	Nut 1/4-20 Hex (SST).....	2
10	WL-006-17	Lockwasher 1/4 Helical (SST).....	2
11	00-975300	Bracket.....	1
12	SC-124-99	Mach. Screw M4 x 0.7 x 6mm Phil. Truss Hd.....	2
13	00-563072-00001	Valve (5 L/Min) (Blue Inlet Restrictor).....	1
14	00-941726-00011	Hose 3/8 (62 In. Lg.) (Fill Valve to Ventless).....	1
15	00-941940	Washer - Air Gap.....	2
16	00-974952	Nut - Adapter.....	2

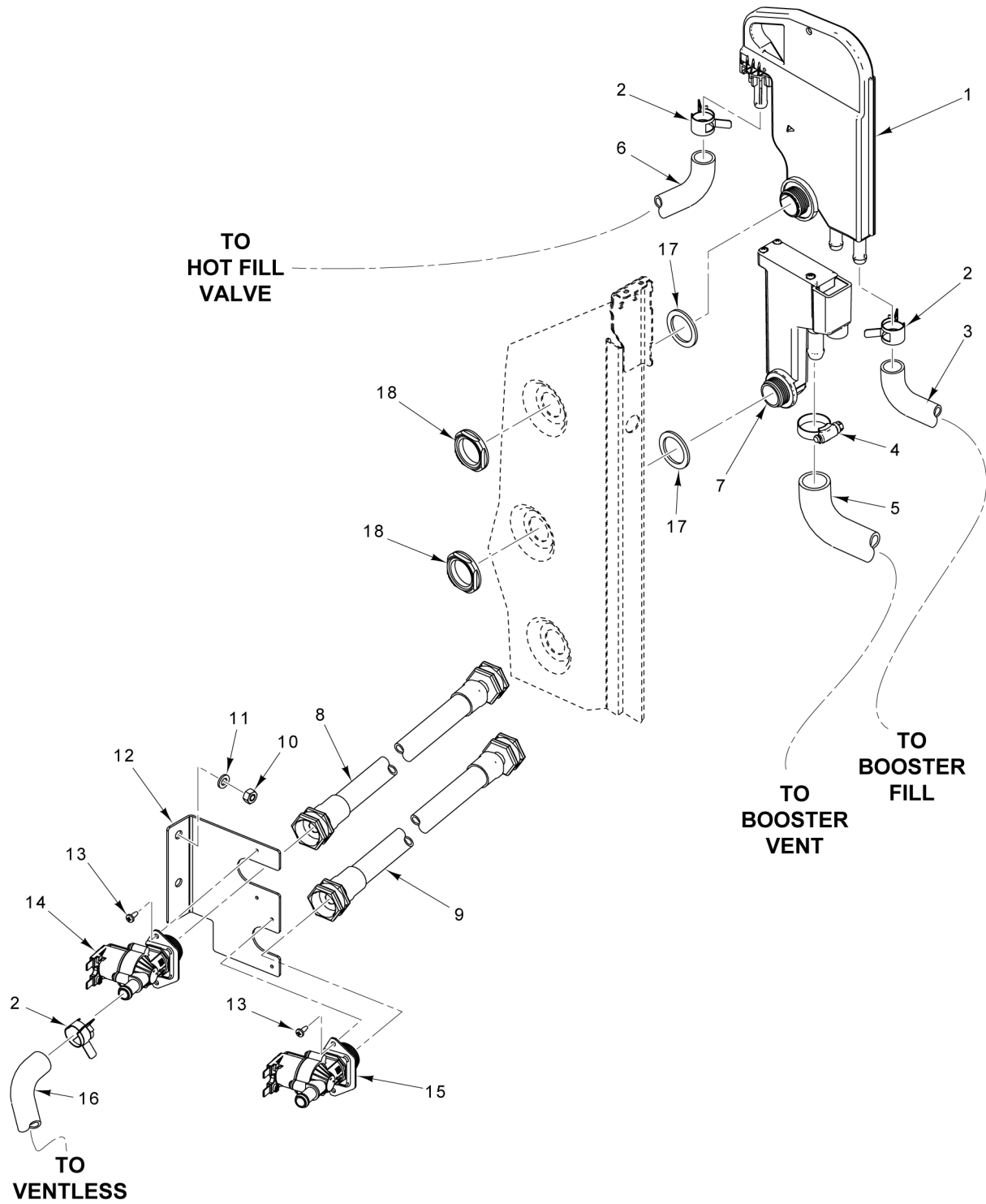


PL-61741

**WATER FILL AND AIR GAP
(VENTLESS) (HTS)**

**WATER FILL AND AIR GAP
(VENTLESS) (HTS)**

ILLUS. PL-61741	PART NO.	NAME OF PART	AMT.
1	01-297510-00001	Air Gap.....	1
2	00-558090	Clamp.....	AR
3	00-941726-00019	Hose 3/8 (46 In. Lg.) (Air Gap to Booster Fill).....	1
4	00-528499	Clamp - Hose.....	AR
5	00-329017-00003	Hose 1/2 x 19-3/8 (Fill Manifold to Booster Vent).....	1
6	00-941726-00024	Hose (Air Gap to Ventless).....	1
7	00-948624-00001	Manifold - Fill.....	1
8	00-293408-00002	Hose - Fill Assy.....	1
9	NS-015-01	Nut 1/4-20 Hex (SST).....	2
10	WL-006-17	Lockwasher 1/4 Helical (SST).....	2
11	00-975300	Bracket.....	1
12	SC-124-99	Mach. Screw M4 x 0.7 x 6mm Phil. Truss Hd.....	2
13	00-563072-00001	Valve (5 L/Min) (Blue Inlet Restrictor).....	1
14	00-941726-00011	Hose 3/8 (62 In. Lg.) (Fill Valve to Ventless).....	1
15	00-941940	Washer - Air Gap.....	2
16	00-974952	Nut - Adapter.....	2

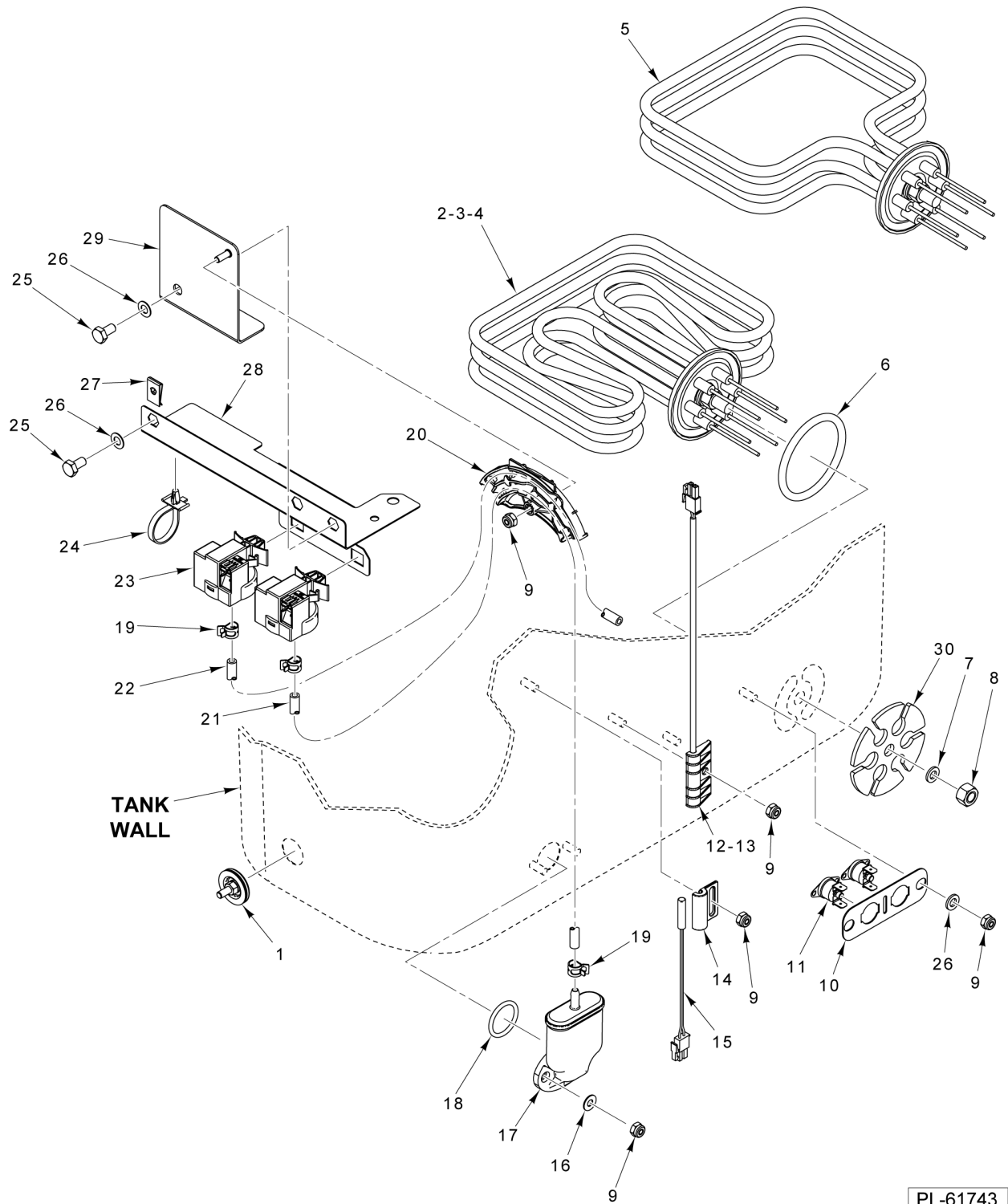


PL-61742

**WATER FILL AND AIR GAP
(VENTLESS) (SCB)**

**WATER FILL AND AIR GAP
(VENTLESS) (SCB)**

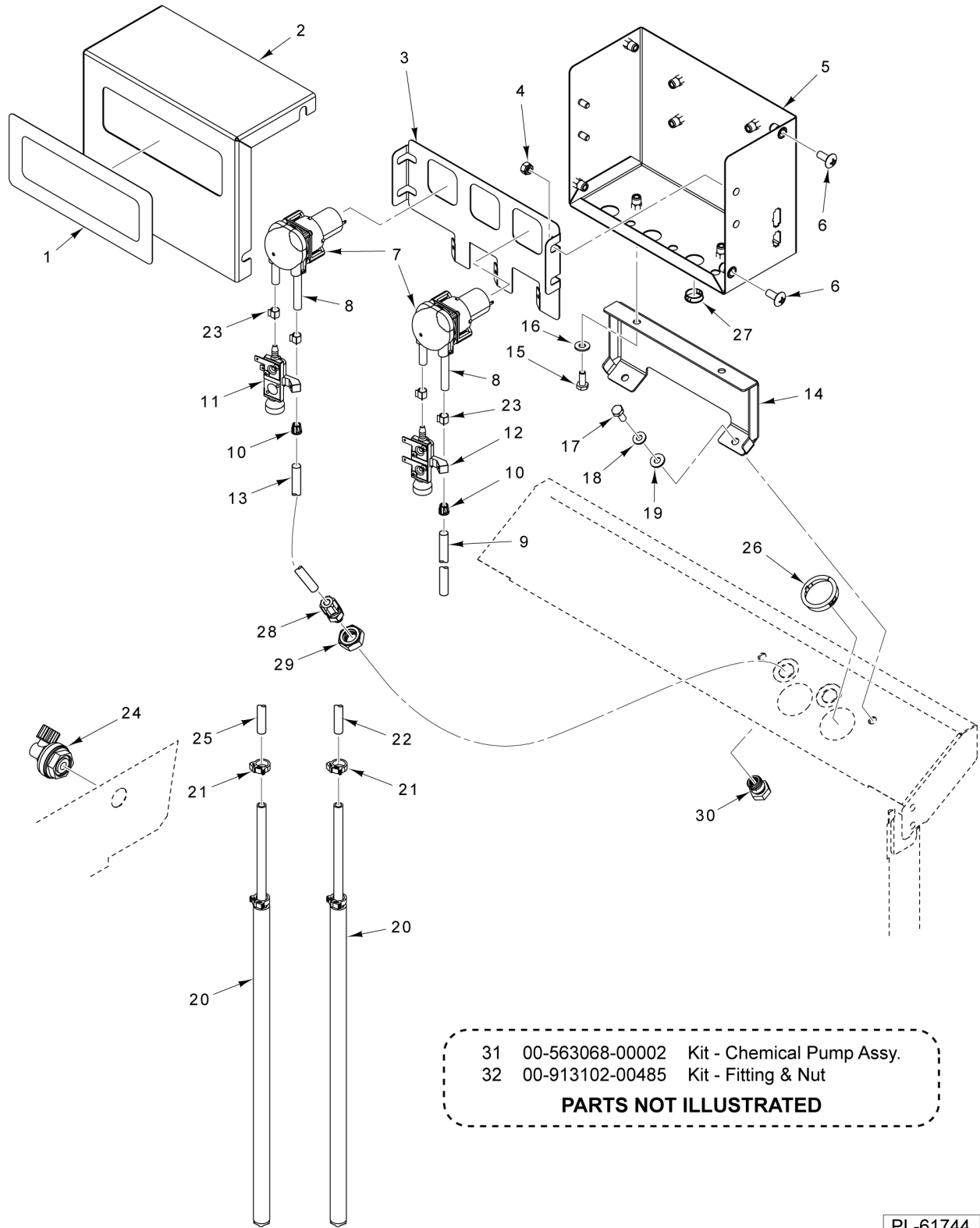
ILLUS. PL-61742	PART NO.	NAME OF PART	AMT.
1	01-297510-00001	Air Gap.....	1
2	00-558090	Clamp.....	AR
3	00-941726-00019	Hose 3/8 (46 In. Lg.) (Air Gap to Booster Fill).....	1
4	00-528499	Clamp - Hose.....	AR
5	00-329017-00003	Hose 1/2 x 19-3/8 (Fill Manifold to Booster Vent).....	1
6	00-941726-00011	Hose 3/8 (62 In. Lg.) (Air Gap to Hot Fill Valve).....	1
7	00-948624-00001	Manifold - Fill.....	1
8	00-293408-00002	Hose - Fill Assy.....	1
9	00-293408-00002	Hose - Fill Assy.....	1
10	NS-015-01	Nut 1/4-20 Hex (SST).....	2
11	WL-006-17	Lockwasher 1/4 Helical (SST).....	2
12	00-975300	Bracket.....	1
13	SC-124-99	Mach. Screw M4 x 0.7 x 6mm Phil. Truss Hd.....	4
14	00-563072-00001	Valve (5 L/Min) (Blue Inlet Restrictor).....	1
15	00-563072-00002	Valve (15 L/Min) (Green Inlet Restrictor).....	1
16	00-941726-00011	Hose 3/8 (62 In. Lg.) (Cold Fill Valve to Ventless).....	1
17	00-941940	Washer - Air Gap.....	2
18	00-974952	Nut - Adapter.....	2



ELECTRIC HEAT AND SENSORS

ELECTRIC HEAT AND SENSORS

ILLUS.	PART NO.	NAME OF PART	AMT.
PL-61743			
1	00-913102-00437	Kit - Cap & Stud Assy. (Incls. Nut, Lockwasher, & O-Ring).....	AR
2	00-562182-00001	Heater (200-240 V.) (Incls. Items 6, 7, & 8).....	1
3	00-562182-00002	Heater (440-480 V.) (Incls. Items 6, 7, & 8).....	1
4	00-562182-00003	Heater (380-415 V.) (Incls. Items 6, 7, & 8).....	1
5	00-562904	Heater (Incls. Items 6, 7, & 8) (AM16SCB).....	1
6		O-Ring.....	1
7	WL-006-27	Lockwasher 3/8 Helical (SST).....	3
8	NS-014-15	Nut 3/8-16 (Brass) (Supplied With Heater).....	1
9	NS-031-15	Stop Nut 10-24 Hex (SST).....	1
10	00-941630	Bracket - High Limit.....	1
11	00-942185	Protector - High Limit.....	2
12	01-297719-00001	Bracket - Temp. Sensor.....	1
13	00-775612-00001	Sensor - Temperature.....	1
14	01-515259-00001	Bracket - Switch.....	1
15	01-515276-00001	Switch - Reed.....	1
16	WS-019-06	Washer (SST).....	2
17	00-942151-00001	Trap - Air.....	1
18	OR-001-21	O-Ring.....	1
19	01-246214-00003	Clamp.....	4
20	01-515897-00001	Guide - Hose.....	1
21	00-562965-00001	Tubing.....	AR
22	00-562965-00001	Tubing.....	AR
23	01-539157-00001	Sensor - Pressure.....	2
24	00-444428	Tie - Cable Releasable.....	AR
25	SC-041-50	Cap Screw 1/4-20 x 1/2 Hex Hd. (SST).....	2
26	WL-006-17	Lockwasher 1/4 Helical (SST).....	2
27	00-975045	Speed Nut 1/4-20 (SST).....	3
28	00-562128	Bracket.....	1
29	00-562290	Guide - Hose.....	1
30	00-950267	Reinforcement - Heater.....	1



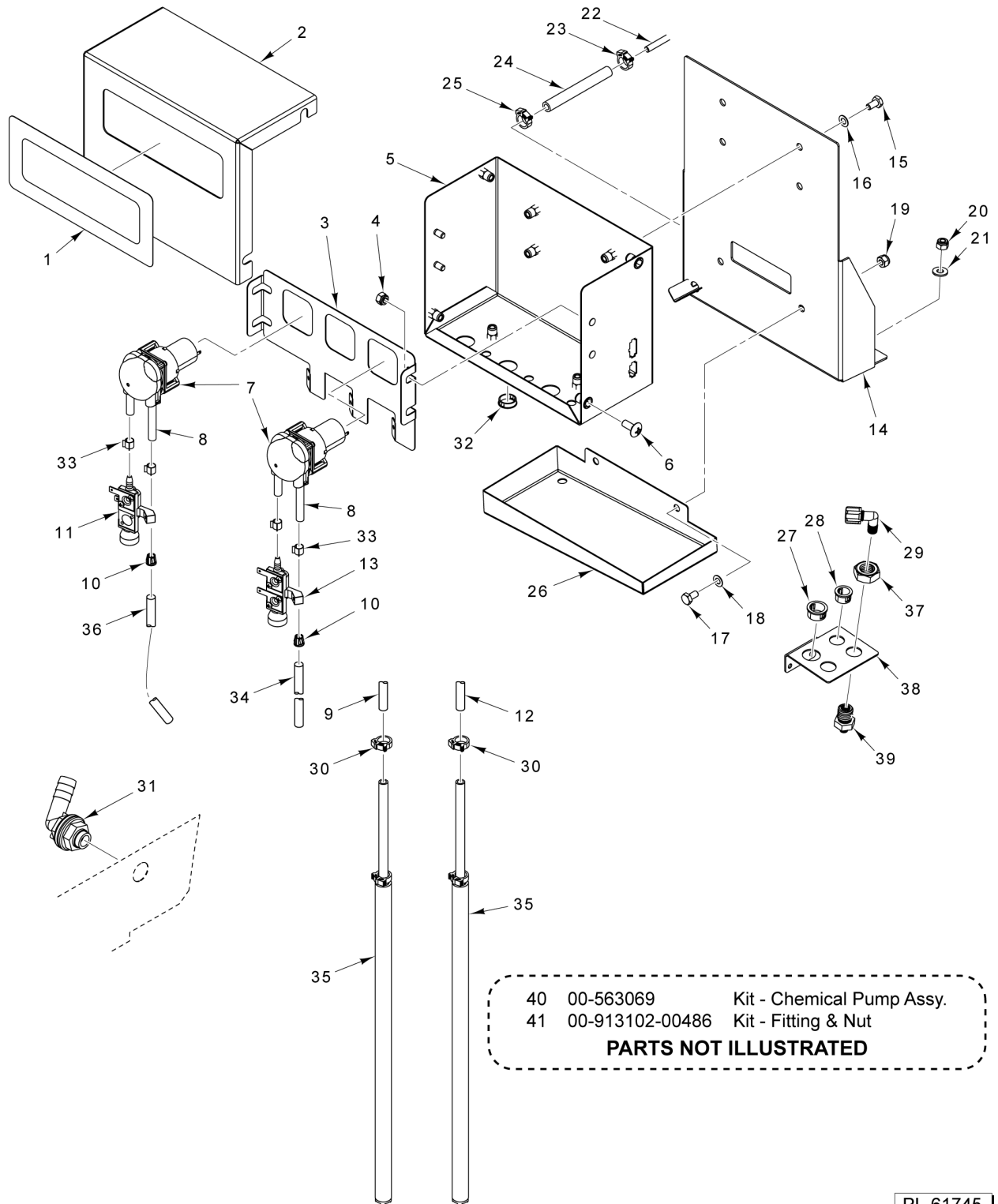
31 00-563068-00002 Kit - Chemical Pump Assy.
 32 00-913102-00485 Kit - Fitting & Nut
PARTS NOT ILLUSTRATED

PL-61744

CHEMICAL PUMP - HOT SANITIZING (STD)

CHEMICAL PUMP - HOT SANITIZING (STD)

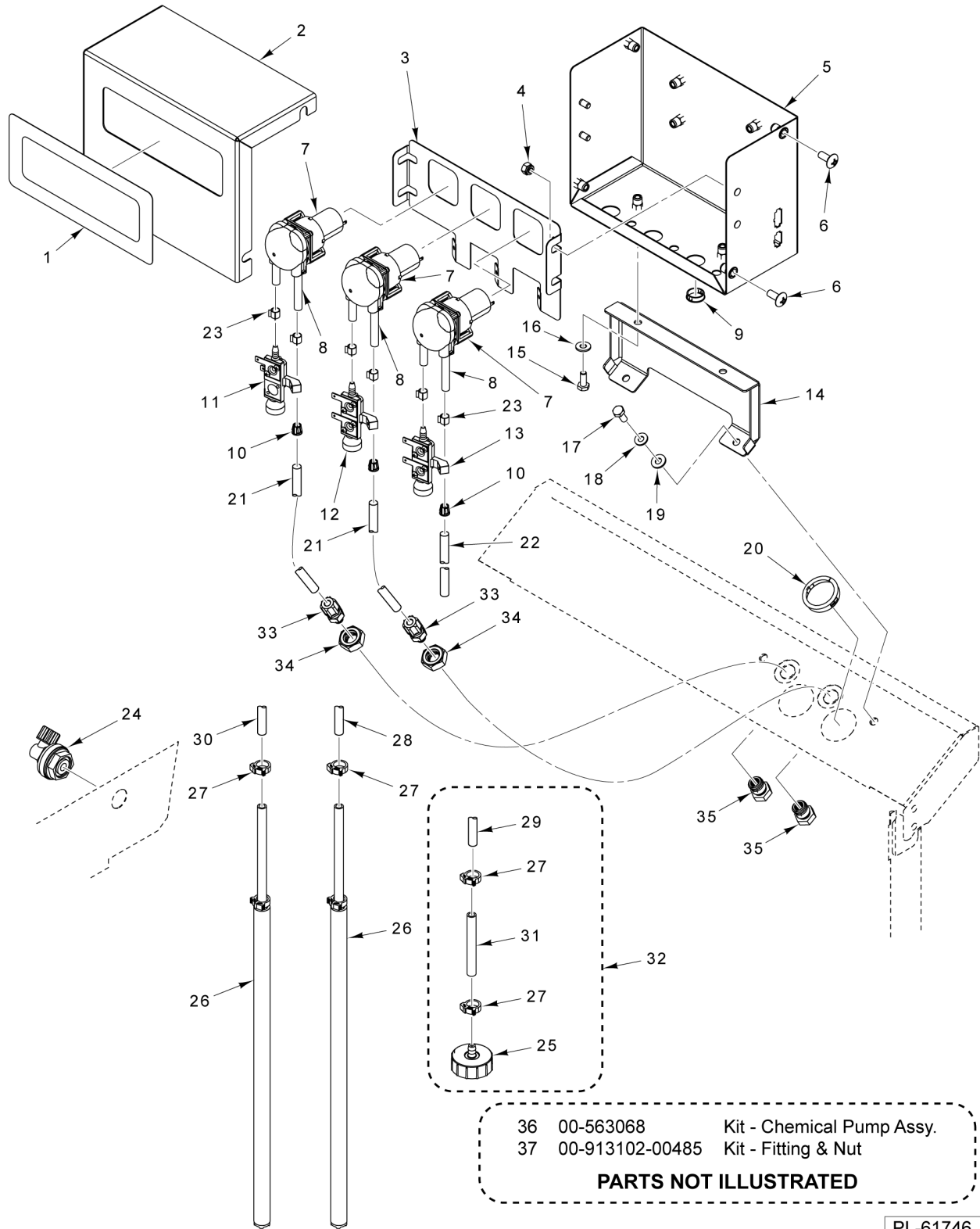
ILLUS. PL-61744	PART NO.	NAME OF PART	AMT.
1	00-563016	Window.....	1
2	00-562590	Cover.....	1
3	00-562580	Bracket - Chemical Pump.....	1
4	NS-047-82	Stop Nut 1/4-20 Hex (SST).....	4
5	00-562589	Box - Chemical.....	1
6	SC-125-85	Mach. Screw 1/4-20 x 5/8 Phil. Truss Hd. (SST).....	4
7	00-941638-00005	Pump - Chemical (Green).....	2
8	00-949651-00001	Tubing Kit (Includes Spring, Clamp, & Tube).....	2
9	00-185105-00024	Tubing.....	AR
10	FE-026-23	Bushing - Electric.....	3
11	00-950372-00003	Sensor.....	1
12	00-950372-00002	Sensor.....	1
13	00-185105-00013	Tubing.....	AR
14	00-562977	Bracket - Chemical Box Mounting.....	1
15	SC-041-05	Cap Screw 1/4-20 x 5/8 Hex Hd. (SST).....	2
16	WS-017-06	Washer (SST).....	2
17	SC-041-05	Cap Screw 1/4-20 x 5/8 Hex Hd. (SST).....	2
18	WL-007-15	Lockwasher 1/4 External Shakeproof.....	2
19	WS-017-06	Washer (SST).....	2
20	00-975024	Assy. - Suction Strainer.....	2
21	00-185111	Clamp - Hose.....	AR
22	00-185105-00002	Tube - Red (1/4 O.D. x 144 Lg.).....	AR
23	00-113156-00001	Clamp - Spring Action Hose.....	AR
24	00-562418	Fitting - Chemical.....	1
25	00-185105-00006	Tube - Blue (1/4 O.D. x 144 Lg.).....	AR
26	FE-025-65	Bushing - Electrical.....	2
27	FE-022-95	Bushing - Snap.....	AR
28	FP-092-29	Fitting 1/4 Comp. x 1/8 NPT.....	1
29	00-562596	Fitting.....	1
30	NS-049-61	Nut.....	1
31	00-563068-00002	Kit - Chemical Pump Assy. (Incls. Items 1 thru 28).....	1
32	00-913102-00485	Kit - Fitting & Nut (Incls. Items 28, 29, & 30).....	1



CHEMICAL PUMP - HOT SANITIZING (HTS)

CHEMICAL PUMP - HOT SANITIZING (HTS)

ILLUS.	PART NO.	NAME OF PART	AMT.
PL-61745			
1	00-563016	Window.....	1
2	00-562590	Cover.....	1
3	00-562580	Bracket - Chemical Pump.....	1
4	NS-047-82	Stop Nut 1/4-20 Hex (SST).....	4
5	00-562589	Box - Chemical.....	1
6	SC-125-85	Mach. Screw 1/4-20 x 5/8 Phil. Truss Hd. (SST).....	4
7	00-941638-00005	Pump - Chemical (Green).....	2
8	00-949651-00001	Tubing Kit (Includes Spring, Clamp, & Tube).....	2
9	00-185105-00006	Tube - Blue (1/4 O.D. x 144 Lg.).....	AR
10	FE-026-23	Bushing - Electric.....	3
11	00-950372-00003	Sensor.....	1
12	00-185105-00002	Tube - Red (1/4 O.D. x 144 Lg.).....	AR
13	00-950372-00002	Sensor.....	1
14	00-563071	Bracket - Chemical Box Weldment.....	1
15	SC-041-50	Cap Screw 1/4-20 x 1/2 Hex Hd. (SST).....	4
16	WL-007-15	Lockwasher 1/4 External Shakeproof.....	4
17	SC-041-50	Cap Screw 1/4-20 x 1/2 Hex Hd. (SST).....	2
18	WL-007-15	Lockwasher 1/4 External Shakeproof.....	4
19	NS-047-82	Stop Nut 1/4-20 Hex (SST).....	2
20	NS-047-82	Stop Nut 1/4-20 Hex (SST).....	3
21	WS-017-06	Washer (SST).....	3
22	00-185105-00024	Tubing.....	AR
23	00-185111	Clamp - Hose.....	AR
24	00-463293	Tube - Sight.....	1
25	00-185111-00002	Clamp - Hose 7/16.....	1
26	00-563070	Tray - Catch.....	1
27	FE-016-32	Bushing - Snap (Electrical).....	1
28	FE-019-01	Bushing - Electrical Snap.....	1
29	FP-087-46	Fitting - Tube 1/4.....	1
30	00-185111	Clamp - Hose.....	AR
31	00-185104	Elbow - Feeder Tubes (Incls. Nut & Gasket).....	1
32	FE-022-95	Bushing - Snap.....	AR
33	00-113156-00001	Clamp - Spring Action Hose.....	AR
34	00-185105-00024	Tubing.....	AR
35	00-975024	Assy. - Suction Strainer.....	2
36	00-185105-00024	Tubing.....	AR
37	NS-049-61	Nut.....	1
38	00-563033	Bracket.....	1
39	00-562596	Fitting.....	1
40	00-563069	Kit - Chemical Pump Assy. (Incls. Items 1 thru 36).....	1
41	00-913102-00486	Kit - Fitting & Nut (Incls. Items 29, 37, & 39).....	1



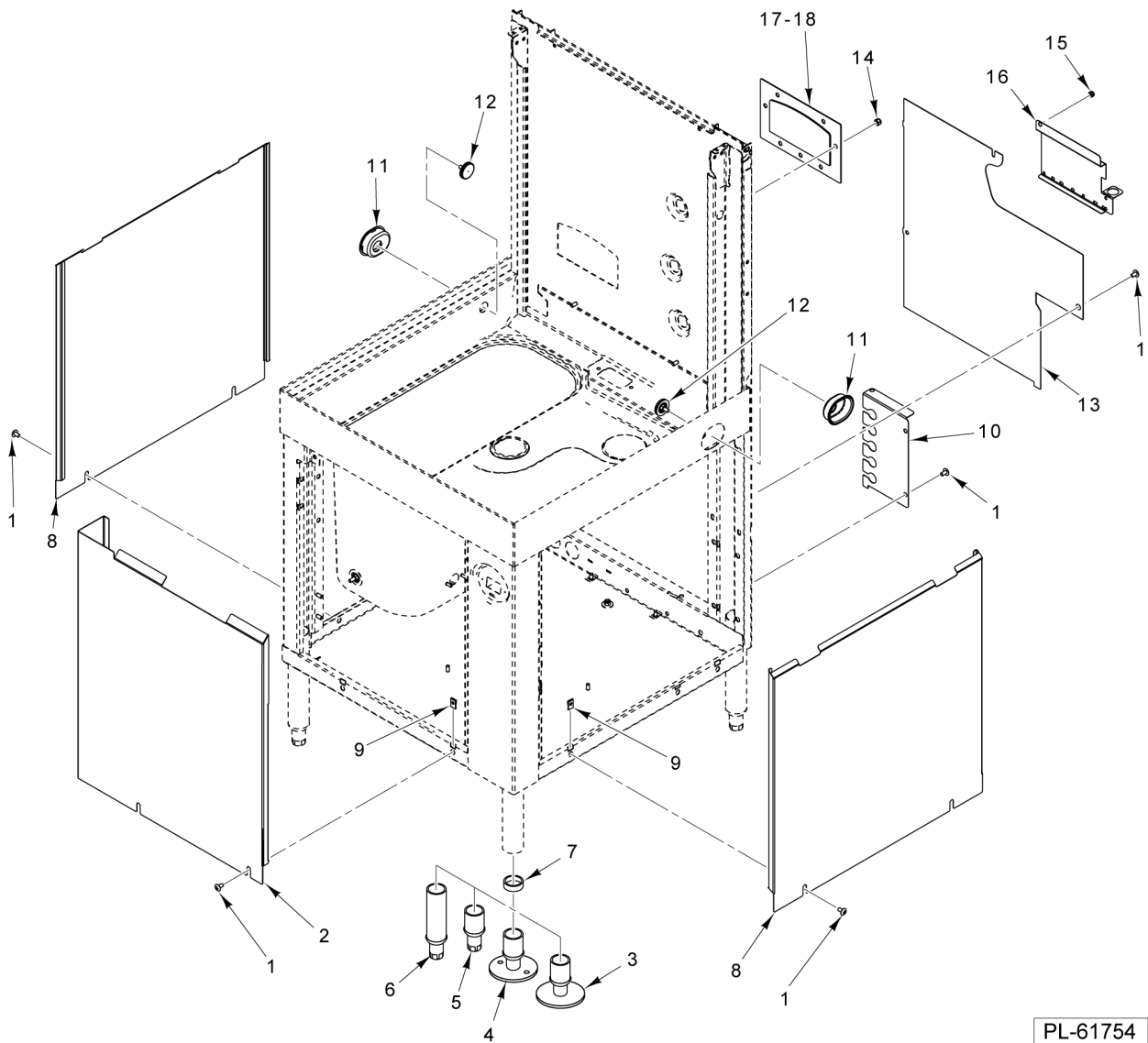
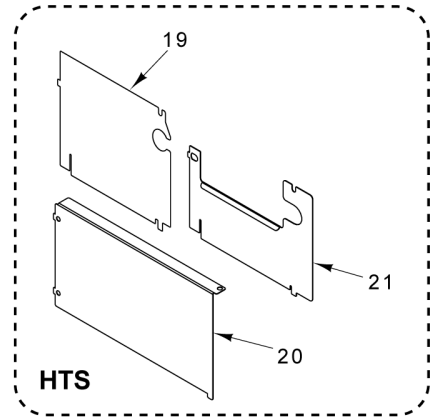
**CHEMICAL PUMP
(STD) (SCB)**

CHEMICAL PUMP (STD) (SCB)

ILLUS. PL-61746	PART NO.	NAME OF PART	AMT.
1	00-563016	Window.....	1
2	00-562590	Cover.....	1
3	00-562580	Bracket - Chemical Pump.....	1
4	NS-047-82	Stop Nut 1/4-20 Hex (SST).....	4
5	00-562589	Box - Chemical.....	1
6	SC-125-85	Mach. Screw 1/4-20 x 5/8 Phil. Truss Hd. (SST).....	4
7	00-941638-00005	Pump - Chemical (Green).....	3
8	00-949651-00001	Tubing Kit (Includes Spring, Clamp, & Tube).....	3
9	FE-022-95	Bushing - Snap.....	AR
10	FE-026-23	Bushing - Electric.....	3
11	00-950372-00003	Sensor.....	1
12	00-950372-00002	Sensor.....	1
13	00-950372-00002	Sensor.....	1
14	00-562977	Bracket - Chemical Box Mounting.....	1
15	SC-041-05	Cap Screw 1/4-20 x 5/8 Hex Hd. (SST).....	2
16	WS-017-06	Washer (SST).....	2
17	SC-041-05	Cap Screw 1/4-20 x 5/8 Hex Hd. (SST).....	2
18	WL-007-15	Lockwasher 1/4 External Shakeproof.....	2
19	WS-017-06	Washer (SST).....	2
20	FE-025-65	Bushing - Electrical.....	2
21	00-185105-00013	Tubing.....	AR
22	00-185105-00024	Tubing.....	AR
23	00-113156-00001	Clamp - Spring Action Hose.....	AR
24	00-562418	Fitting - Chemical.....	1
25	00-562693	Bottle Cap & Coupling Assy.....	1
26	00-975024	Assy. - Suction Strainer.....	2
27	00-185111	Clamp - Hose.....	AR
28	00-185105-00002	Tube - Red (1/4 O.D. x 144 Lg.).....	AR
29	00-185105-00004	Tube - Clear (Supply to Pump) (1/4 O.D. x 144 Lg.).....	AR
30	00-185105-00006	Tube - Blue (1/4 O.D. x 144 Lg.).....	AR
31	00-563315	Tube - PVC.....	AR
32	00-562915	Cap - Bottle (Incls. Items 25, 27, 29, & 31).....	1
33	FP-092-29	Fitting 1/4 Comp. x 1/8 NPT.....	2
34	00-562596	Fitting.....	2
35	NS-049-61	Nut.....	2
36	00-563068	Kit - Chemical Pump Assy. (Incls. Items 1 thru 33).....	AR
37	00-913102-00485	Kit - Fitting & Nut (Incls. Items 33, 34, & 35).....	1

- | | | |
|----|-----------|-----------------------|
| 22 | 00-562939 | Gasket - Cover (Std) |
| 23 | 00-562940 | Gasket - Cover (HTS) |
| 24 | 00-561771 | Cover - Exhaust (HTS) |

PARTS NOT ILLUSTRATED

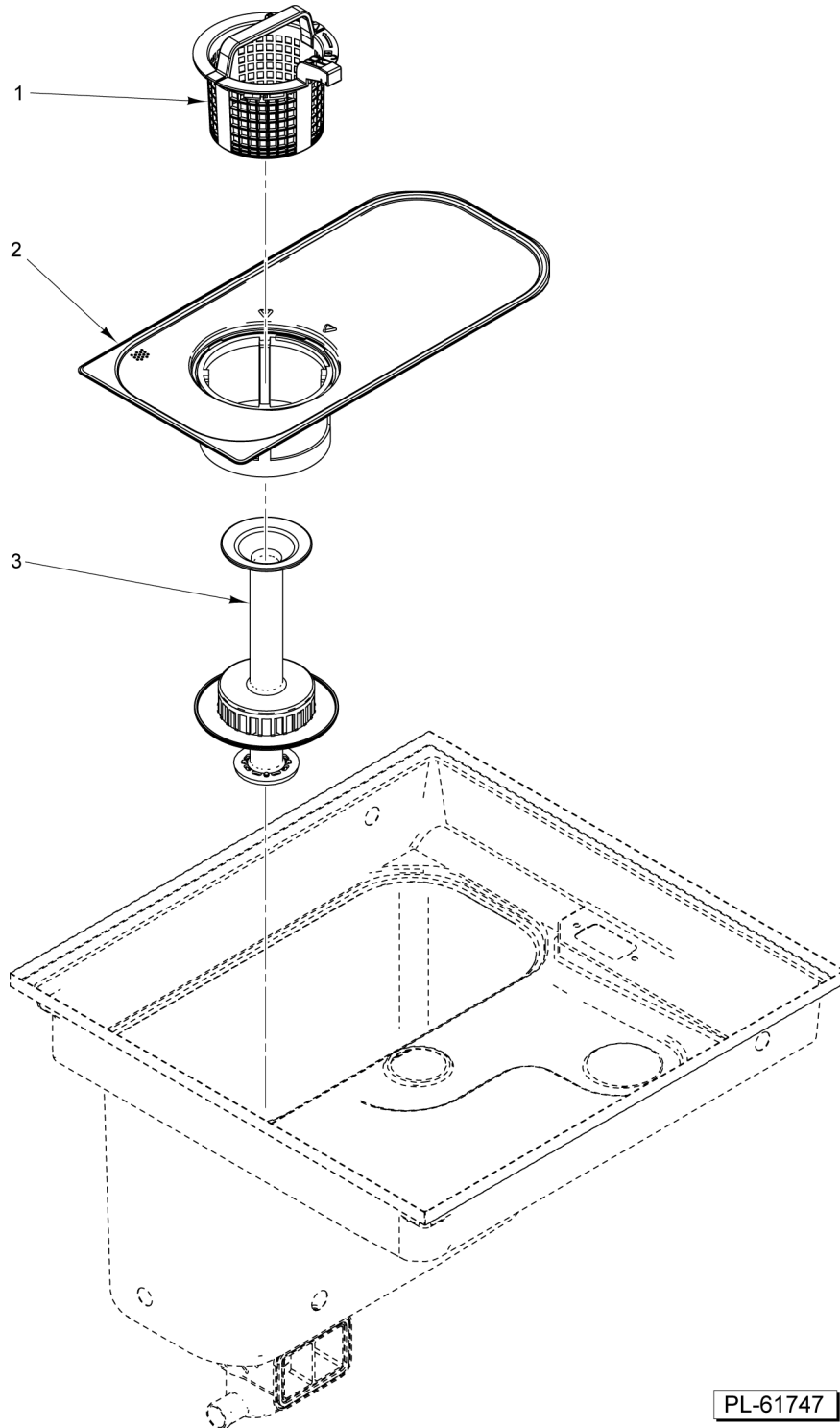


PL-61754

FRAME AND PANELS

FRAME AND PANELS

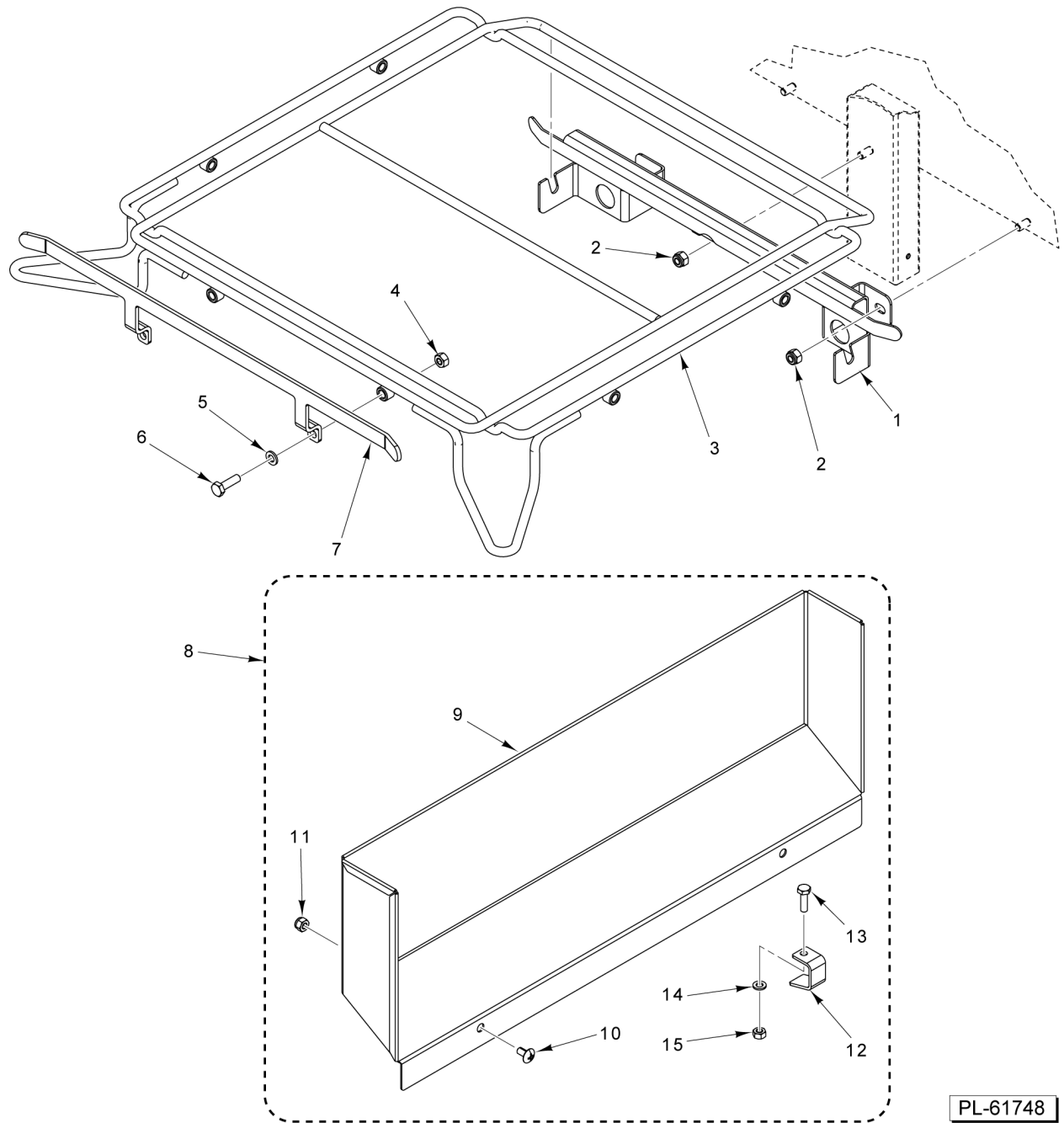
ILLUS. PL-61754	PART NO.	NAME OF PART	AMT.
1	SC-125-15	Mach. Screw 1/4-20 x 1/2 Phil. Truss Hd.....	8
2	00-563725	Panel - Front.....	1
3	00-563006-00001	Kit - Foot (Flanged) (Set of 4) (Incls. Item 7).....	1
4	00-563006-00002	Kit - Foot (Flanged W/Holes) (Set of 4) (Incls. Item 7).....	1
5	00-288946-00002	Foot - Adjustable (1-5/8) (SST) (Incls. Item 7).....	1
6	00-563006-00004	Kit - Foot (Adjustable) (Set of 4) (3 In. Taller Foot) (Incls. Item 7).....	1
7	00-563006-00005	Ring - Locking.....	4
8	00-975394	Panel - Side.....	2
9	00-975045	Speed Nut 1/4-20 (SST).....	AR
10	00-562150	Panel - Electrical Connection.....	1
11	00-562537	Grommet.....	2
12	00-913102-00437	Kit - Cap & Stud Assy. (Incls. Nut, Lockwaser, & O-Ring).....	2
13	00-562155	Panel - Rear (STD).....	1
14	NS-047-82	Stop Nut 1/4-20 Hex (SST).....	2
15	NS-031-15	Stop Nut 10-24 Hex (SST).....	1
16	00-562532	Guide - Hose.....	1
17	00-562936	Cover (STD) (Non-Ventless).....	1
18	00-563018	Cover (AM16T) (Non-Ventless).....	1
19	00-562151	Panel - Rear (Trim) (HTS).....	1
20	00-562154	Panel - Trim (Rear) (HTS).....	1
21	00-562289	Panel - Trim (Upper Rear) (HTS).....	1
22	00-562939	Gasket - Cover (STD).....	1
23	00-562940	Gasket - Cover (HTS).....	1
24	00-562771	Weldment - Cover (HTS).....	1



STRAINERS

STRAINERS

ILLUS. PL-61747	PART NO.	NAME OF PART	AMT.
1	01-515594-00001	Strainer Basket Assy.....1	1
2	01-515598-00001	Strainer Assy.....1	1
3	00-883550-00001	Standpipe Assy.....1	1



PL-61748

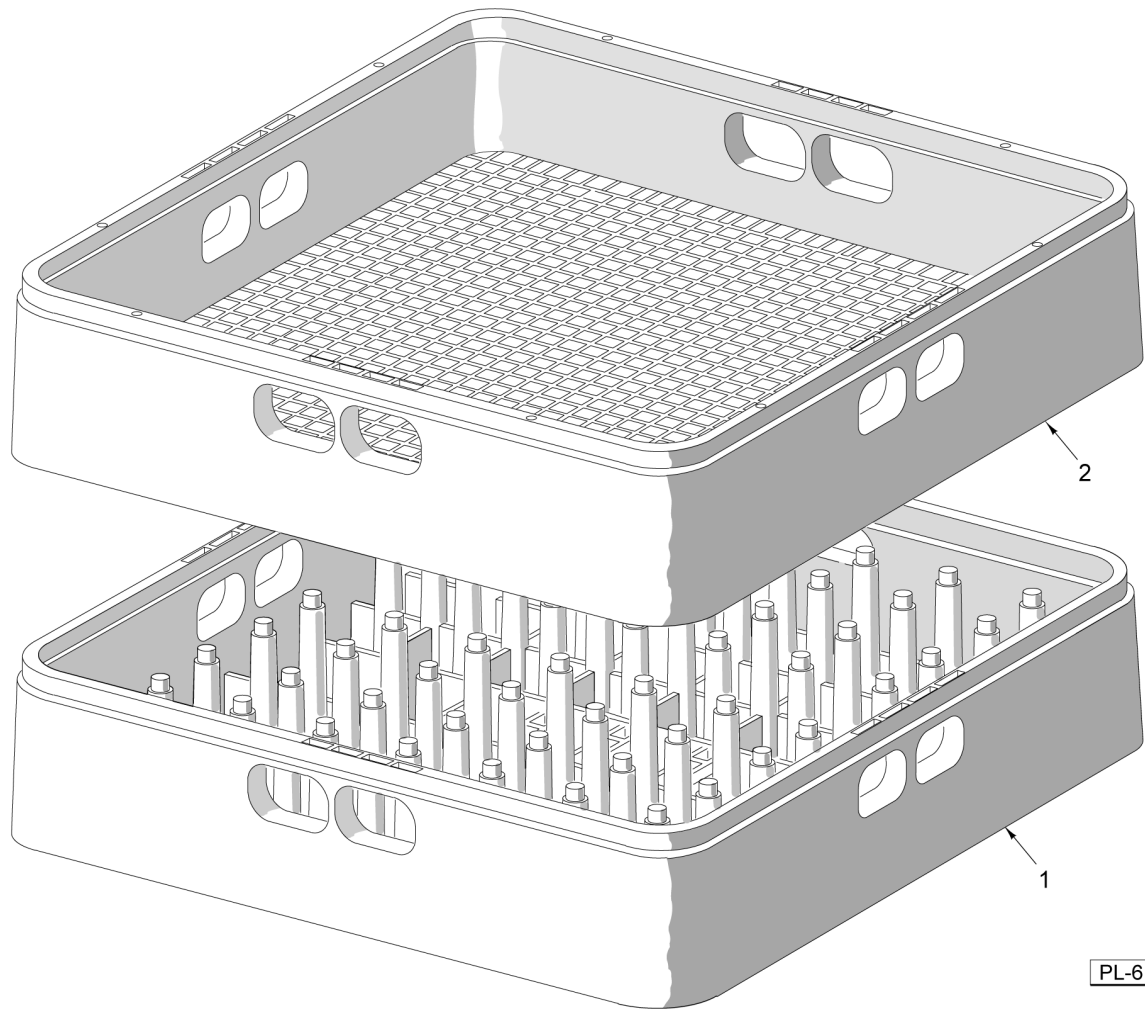
RACK ASSEMBLY

RACK ASSEMBLY

ILLUS.	PART NO.	NAME OF PART	AMT.
1	00-562057	Bracket - Rack Mount.....	1
2	NS-047-82	Stop Nut 1/4-20 Hex (SST).....	AR
3	00-562190	Rack.....	1
4	NS-015-01	Nut 1/4-20 Hex (SST).....	2
5	WL-006-17	Lockwasher 1/4 Helical (SST).....	2
6	SC-109-47	Cap Screw 1/4-20 x 7/8 Hex Hd. (SST).....	2
7	00-975472	Bracket - Guide.....	1
8	00-562156-00001	Kit (Incls. Items 9 thru 15).....	1
9	00-562156-00002	Panel.....	1
10	SC-125-15	Mach. Screw 1/4-20 x 1/2 Phil. Truss Hd.....	2
11	NS-047-82	Stop Nut 1/4-20 Hex (SST).....	2
12	00-562272	Clip.....	2
13	SC-109-47	Cap Screw 1/4-20 x 7/8 Hex Hd. (SST).....	2
14	WL-006-17	Lockwasher 1/4 Helical (SST).....	2
15	NS-015-01	Nut 1/4-20 Hex (SST).....	2

- 3 00-295288 Peg Type Tray Rack (Packaged)
- 4 00-892671 Rack - Bun Pan
- 5 00-474800 Rack (6 Pan)
- 6 00-562434 Rack - Sheet Pan

PARTS NOT ILLUSTRATED



DISH RACK AND ACCESSORIES

DISH RACK AND ACCESSORIES

ILLUS.	PART NO.	NAME OF PART	AMT.
PL-61749			
1	00-315191	Rack - Peg (Packaged).....	1
2	00-315193	Rack - Combination (Packaged).....	1
3	00-295288	Peg Type Tray Rack (Packaged).....	1
4	00-892671	Rack - Bun Pan.....	1
5	00-474800	Rack (6 Pan).....	1
6	00-562434	Rack - Sheet Pan.....	1

