



# CATALOG OF REPLACEMENT PARTS



## AWS-1B ACCESS WRAPPING SYSTEM

ML-44216  
ML-44217

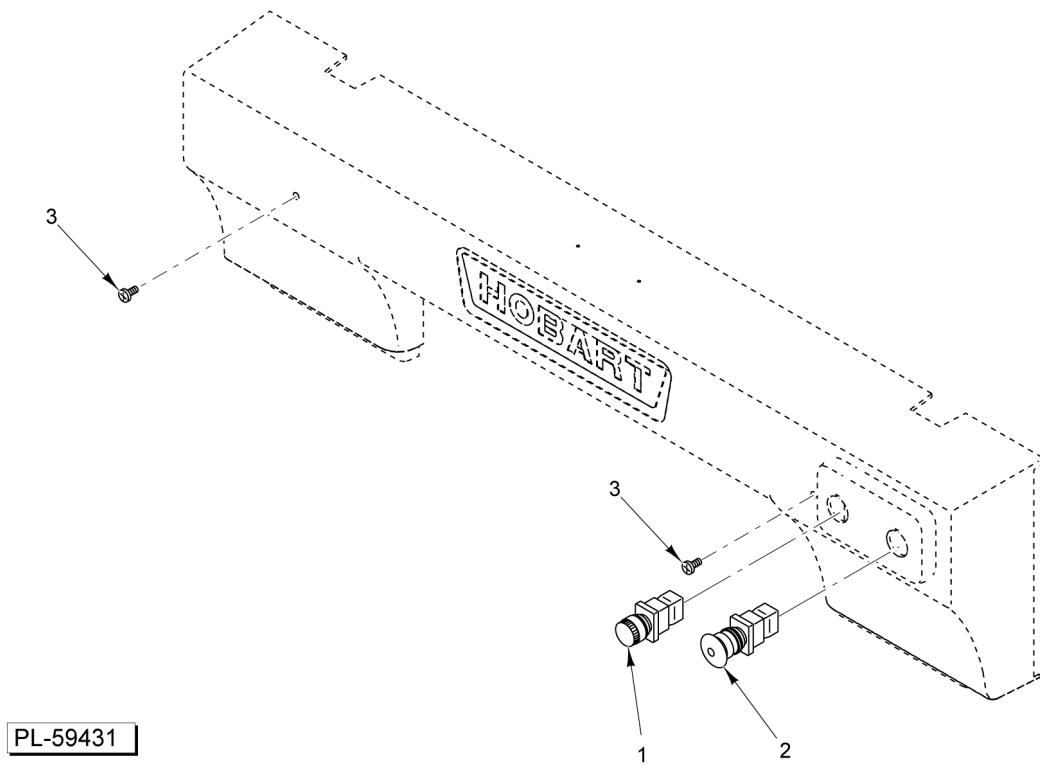
AWS-1B (L-R)  
AWS-1B (R-L)



---

**Table of Contents**

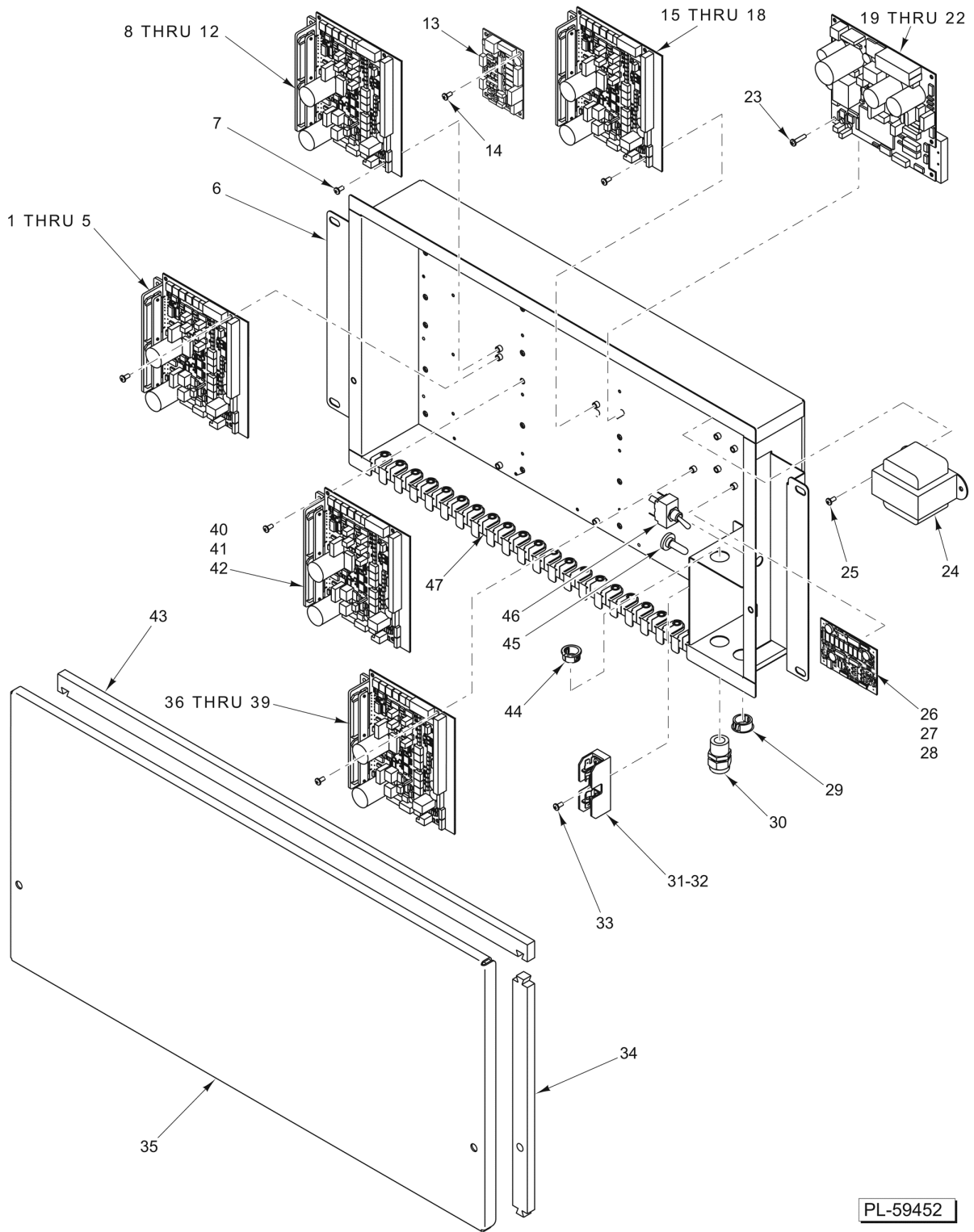
5	RUN AND STOP SWITCH
7	CONTROL BOX
9	SCALE PLATFORM
11	UPPER AND SIDE PANELS
13	LOWER AND SIDE PANELS
15	PRIMARY INTAKE
17	PRIMARY INTAKE SHIFT CONVEYOR AREA
19	INTAKE FRAME
21	GRIPPER DRIVE AND HEIGHT SENSORS
23	SIDE CLAMP AND SIDE UNDERFOLDER MOTORS
25	CAMERA ENCLOSURE
27	ELEVATOR CONVEYOR ASSEMBLY
29	ELEVATOR AND KNIFE CYLINDERS
33	KNIFE
35	ELEVATOR MOTOR
37	LEFT FRONT FOLDER
39	RIGHT FRONT FOLDER
41	SIDE UNDERFOLDERS
43	SIDE UNDERFOLDERS BELT AND PULLEYS
45	PACKAGE HOLD DOWN
47	PUSHER
49	UPPER PUSHER & FRONT FOLDER MOTORS
51	FILM SUPPLY ARBOR
53	FILM SELECTOR
55	GRIPPER
57	SIDE CLAMPS
59	SPRING ASSEMBLY
61	SEALER BELT SUPPORT
63	DISCHARGE ROLLER ASSEMBLY
65	BELT SEALER
67	BELT SEALER MOTOR
69	LABEL APPLIER
71	LABEL APPLIER ARM WITH MOTOR
75	COMPRESSOR ASSEMBLY (THOMAS)
77	COMPRESSOR ASSEMBLY (GAST)
79	AIR DRYER FILTER ASSEMBLY
81	MAC VALVE
83	FILM HEATER OPTION
85	AWS SHELF OPTION
87	VACUUM HOSE DIAGRAM (MAIN)
89	VACUUM HOSE DIAGRAM (PRINTER PLATE)
91	CYCLE COUNTER



**RUN AND STOP SWITCH**

### RUN AND STOP SWITCH

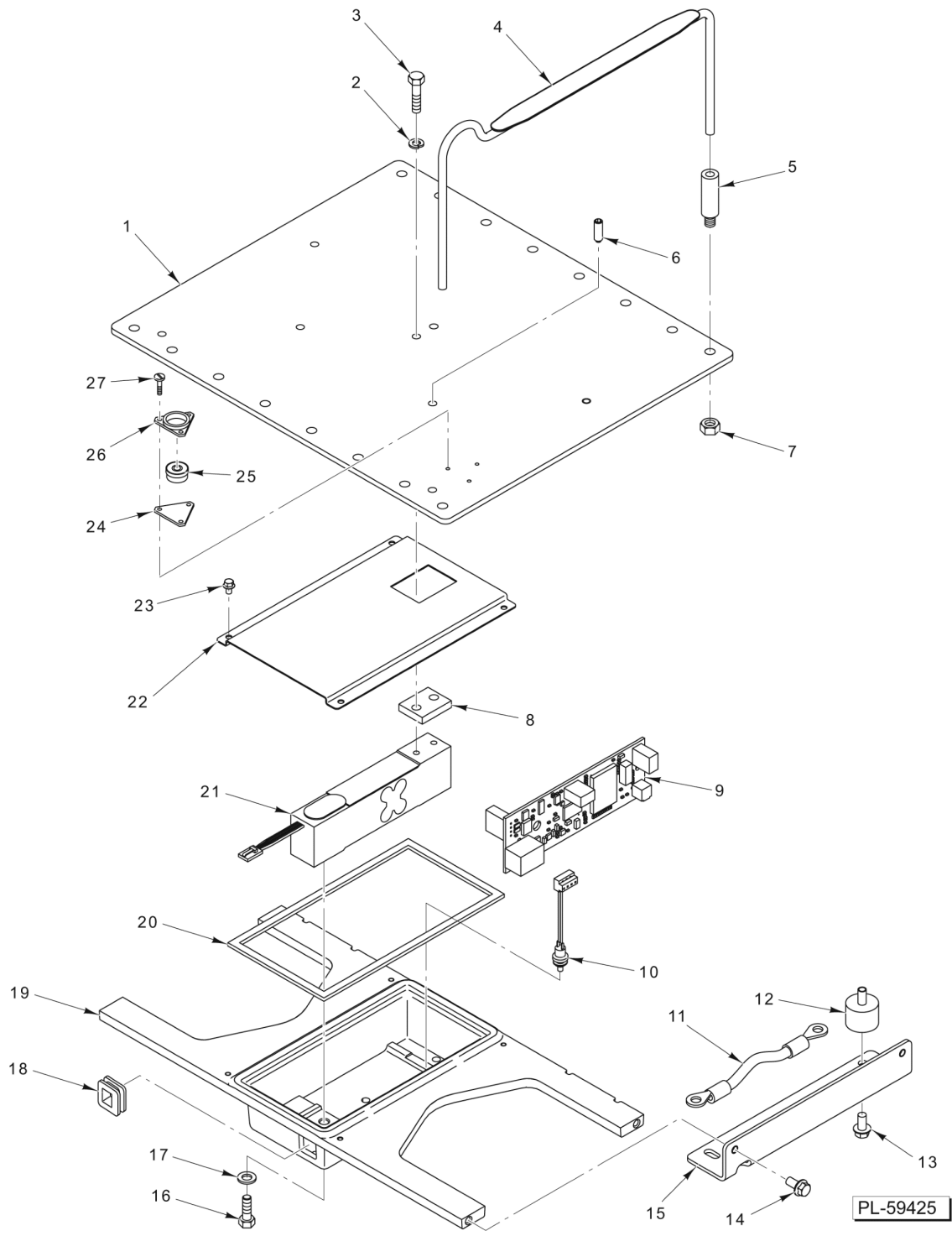
ILLUS.	PART NO.	NAME OF PART	AMT.
PL-59431			
1	00-445456	Switch Assy. - Push Button (Illuminated) (Teknic).....	1
2	00-445457	Switch Assy. - Push Button (Mushroom Type) (Teknic).....	1
3	SC-080-13	Mach. Screw 10-24 x 7/8 Phil. Fil. Hd. (SST).....	2



**CONTROL BOX**

**CONTROL BOX**

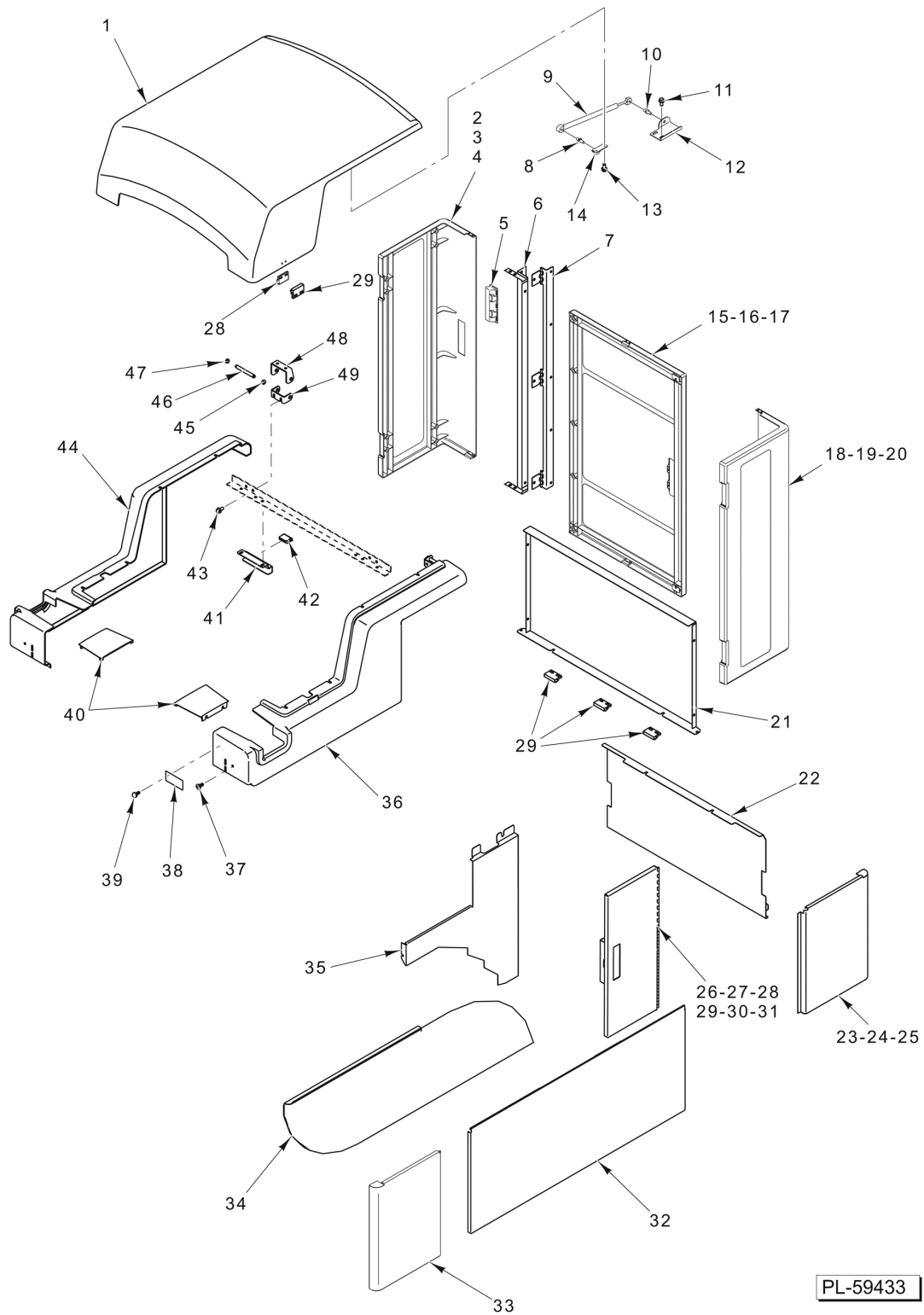
ILLUS.	PART NO.	NAME OF PART	AMT.
1	00-445330-00001	Board Assy. - Combo (Node 3).....	1
2	00-441406-00003	Fuse (250 V., 2 Amp.).....	1
3	00-441406-00005	Fuse (250 V., 3.15 Amp.).....	1
4	00-445078	Fuse (250 V., 1.5 Amp.).....	1
5	00-445816	Fuse (250 V., 0.5 Amp.).....	3
6	00-446304	Control Box Assy.....	1
7	SC-129-33	Mach. Screw 8-32 x 3/8 Phil. Pan Hd.....	1
8	00-445330-00002	Board Assy. - Combo (Node 1).....	1
9	00-441406-00007	Fuse (250 V., 4 Amp.).....	1
10	00-441406-00003	Fuse (250 V., 2 Amp.).....	1
11	00-445078	Fuse (250 V., 1.5 Amp.).....	1
12	00-445816	Fuse (250 V., 0.5 Amp.).....	1
13	00-446137	Board Assy. - USB Node.....	1
14	SC-129-33	Mach. Screw 8-32 x 3/8 Phil. Pan Hd.....	1
15	00-445330-00002	Board Assy. - Combo (Node 2).....	1
16	00-441406-00005	Fuse (250 V., 3.15 Amp.).....	2
17	00-445078	Fuse (250 V., 1.5 Amp.).....	1
18	00-445816	Fuse (250 V., 0.5 Amp.).....	3
19	00-447352	Kit - Power Supply & Cables.....	1
20	00-441406-00006	Fuse (250 V., 5 Amp.).....	1
21	00-443398	Fuse (250 V., 20 Amp.).....	1
22	00-441406-00008	Fuse (250 V., 6.3 Amp.).....	4
23	SC-018-37	Mach. Screw 8-32 x 3/4 Phil. Pan Hd.....	1
24	00-446414	Transformer (120/24 VAC) (75 Amp.).....	1
25	SC-129-33	Mach. Screw 8-32 x 3/8 Phil. Pan Hd.....	1
26	00-445440	Board - Stepper Motor.....	1
27	00-441406-00001	Fuse (250 V., 1 Amp.).....	1
28	00-441406-00002	Fuse (250 V., 2.5 Amp.).....	1
29	PB-004-08	Plug Button Heyco 2703.....	1
30	FE-022-84	Connector - Strain Relief.....	1
31	00-444736	Block - Fuse.....	1
32	FE-026-56	Fuse (600 V., 15 Amp.).....	1
33	SC-110-87	Mach. Screw 10-32 x 1/4 Phil. Pan Hd.....	1
34	00-446315-00002	Gasket - Control Box.....	2
35	00-446327	Cover - Control Box.....	1
36	00-445330-00001	Board Assy. - Combo (Node 5).....	1
37	00-441406-00003	Fuse (250 V., 2 Amp.).....	1
38	00-445078	Fuse (250 V., 1.5 Amp.).....	1
39	00-445816	Fuse (250 V., 0.5 Amp.).....	1
40	00-445330-00001	Board Assy. - Combo (Node 4).....	1
41	00-441406-00003	Fuse (250 V., 2 Amp.).....	2
42	00-445078	Fuse (250 V., 1.5 Amp.).....	1
43	00-446315-00001	Gasket - Control Box.....	2
44	FE-016-24	Bushing - Electrical Split.....	1
45	00-446412	Boot - Splashproof.....	1
46	00-446410	Switch - Toggle.....	1
47	00-443881	Grommet.....	21



**SCALE PLATFORM**

## SCALE PLATFORM

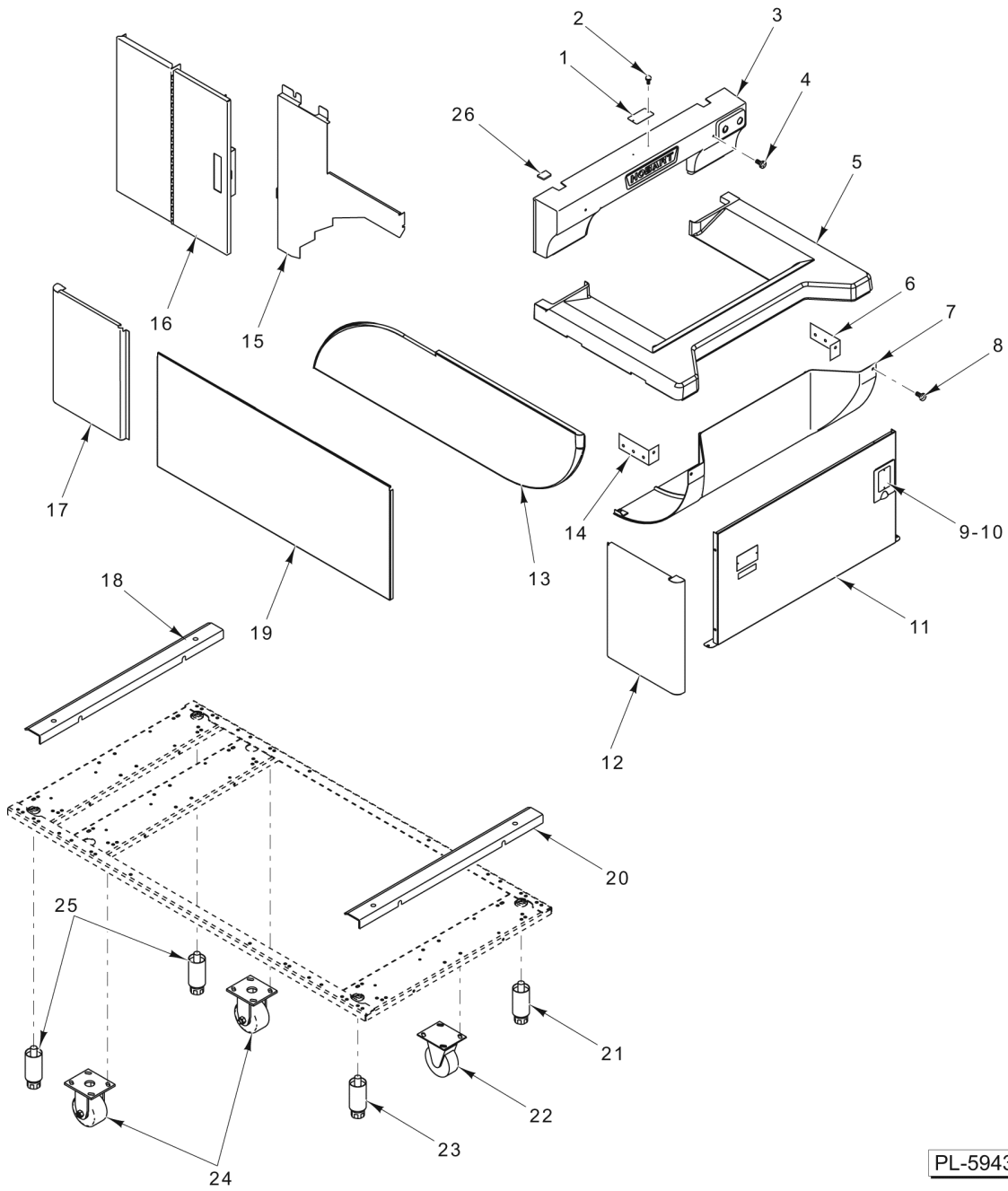
ILLUS.	PART NO.	NAME OF PART	AMT.
PL-59425			
1	00-444688	Support - Platter.....	1
2	WL-006-17	Lockwasher 1/4 Helical (SST).....	2
3	SC-041-03	Cap Screw 1/4-20 x 1-1/8 Hex Hd. (SST).....	2
4	00-444476	Rod - Weigher Assy.....	8
5	00-444689	Retainer - Platter.....	16
6	SC-129-53	Set Screw 1/4-20 x 3/4 Hex Hdls., Dog Pt. (SST).....	6
7	NS-018-10	Jam Nut 5/16-24 Hex (SST).....	16
8	00-444701	Spacer - Loadcell.....	1
9	00-446167	Board Assy. - USB Weigher.....	1
10	00-444568	Switch Assy. - Push Button.....	1
11	00-183458	Cable Assy. - Ground.....	1
12	00-444038	Mount - Hinge.....	4
13	SC-129-49	Mach. Screw 1/4-20 x 1/2 Hex Washer Hd. (SST).....	4
14	SC-129-49	Mach. Screw 1/4-20 x 1/2 Hex Washer Hd. (SST).....	4
15	00-444971	Bracket - Scale Mounting.....	2
16	SC-109-47	Cap Screw 1/4-20 x 7/8 Hex Hd. (SST).....	2
17	WL-006-17	Lockwasher 1/4 Helical (SST).....	4
18	00-444129	Seal - USB.....	1
19	00-444128	Support - Machined Loadcell.....	1
20	00-444641	Gasket - Loadcell Cover.....	1
21	00-443707	Load Cell (20 kg).....	1
22	00-443820	Cover - Loadcell.....	1
23	SC-128-55	Mach. Screw 8-32 x 1/4 Hex Hd.....	4
24	00-049040	Gasket - Level Flange.....	1
25	00-043112	Level - Spirit.....	1
26	00-047276	Flange.....	1
27	SC-124-80	Mach. Screw 4-40 x 5/16 Slotted Flat Hd. (SST).....	3
	00-444515	Cover - Switch.....	1



**UPPER AND SIDE PANELS**

## UPPER AND SIDE PANELS

ILLUS.	PART NO.	NAME OF PART	AMT.
1	00-444055	Canopy.....	1
2	00-444054	Door - Side.....	1
3	00-175999	Actuator - Magnet.....	1
4	00-183396	Plate - Switch.....	1
5	00-442435	Pull - Flush Door.....	1
6	00-445186	Bracket - Hinge Mounting.....	1
7	00-445188	Hinge - Rear Film Door.....	1
8	00-444110	Stud - Ball.....	1
9	00-445940	Spring - Gas Canopy.....	1
10	00-444110	Stud - Ball.....	1
11	SC-129-49	Mach. Screw 1/4-20 x 1/2 Hex Washer Hd. (SST).....	2
12	00-444111	Bracket - Cylinder.....	1
13	SC-100-04	Mach. Screw 10-24 x 3/8 Hex Washer Hd.....	2
14	00-444108	Bracket - Cylinder.....	1
15	00-444053	Door - Rear.....	1
16	00-175999	Actuator - Magnet.....	1
17	00-183396	Plate - Switch.....	1
18	00-444054	Door - Side.....	1
19	00-175999	Actuator - Magnet.....	1
20	00-183396	Plate - Switch.....	1
21	00-444340	Cover - Back End.....	1
22	00-443994	Panel - Rear.....	1
23	00-444337	Cover - Corner.....	1
24	SC-129-49	Mach. Screw 1/4-20 x 1/2 Hex Washer Hd. (SST).....	2
25	NS-049-06	Lock Nut 1/4-20 (SST).....	2
26	00-444343	Cover - Side Door Assy.....	1
27	00-442435	Pull - Flush Door.....	1
28	00-175999	Actuator - Magnetic.....	1
29	00-443209	Interlock Harness Assy.....	1
30	00-183396	Plate - Nut.....	2
31	SC-113-10	Mach. Screw 4-40 x 3/8 Phil. Pan Hd.....	2
32	00-444350	Cover - Lower Right.....	1
33	00-444338	Cover - Corner.....	1
34	00-444331	Cover - Lower Front (RH).....	1
35	00-444342	Cover - Front Right.....	1
36	00-444057	Cover - Side (RH).....	1
37	SC-053-04	Mach. Screw 10-24 x 5/16 Slotted Truss Hd. (SST).....	10
38	00-438131-00009	Label - Warning.....	2
39	SD-033-56	Self-Tapping Screw #2 x 3/16 Rd. Hd., Type U (SST).....	4
40	00-444058	Cover - Printer Mount.....	2
41	00-444099	Bracket - Door Stop.....	1
42	00-041725	Catch - Magnetic.....	1
43	SC-129-49	Mach. Screw 1/4-20 x 1/2 Hex Washer Hd. (SST).....	2
44	00-444056	Cover - Side (LH).....	1
45	00-041488	Bearing (Nyliner).....	1
46	00-444102	Pin - Canopy Hinge.....	2
47	00-041488	Bearing (Nyliner).....	1
48	00-444104	Hinge - Canopy.....	1
49	00-444105	Hinge - Canopy.....	1
	00-444287	Panel - Door Switch Mounting.....	1

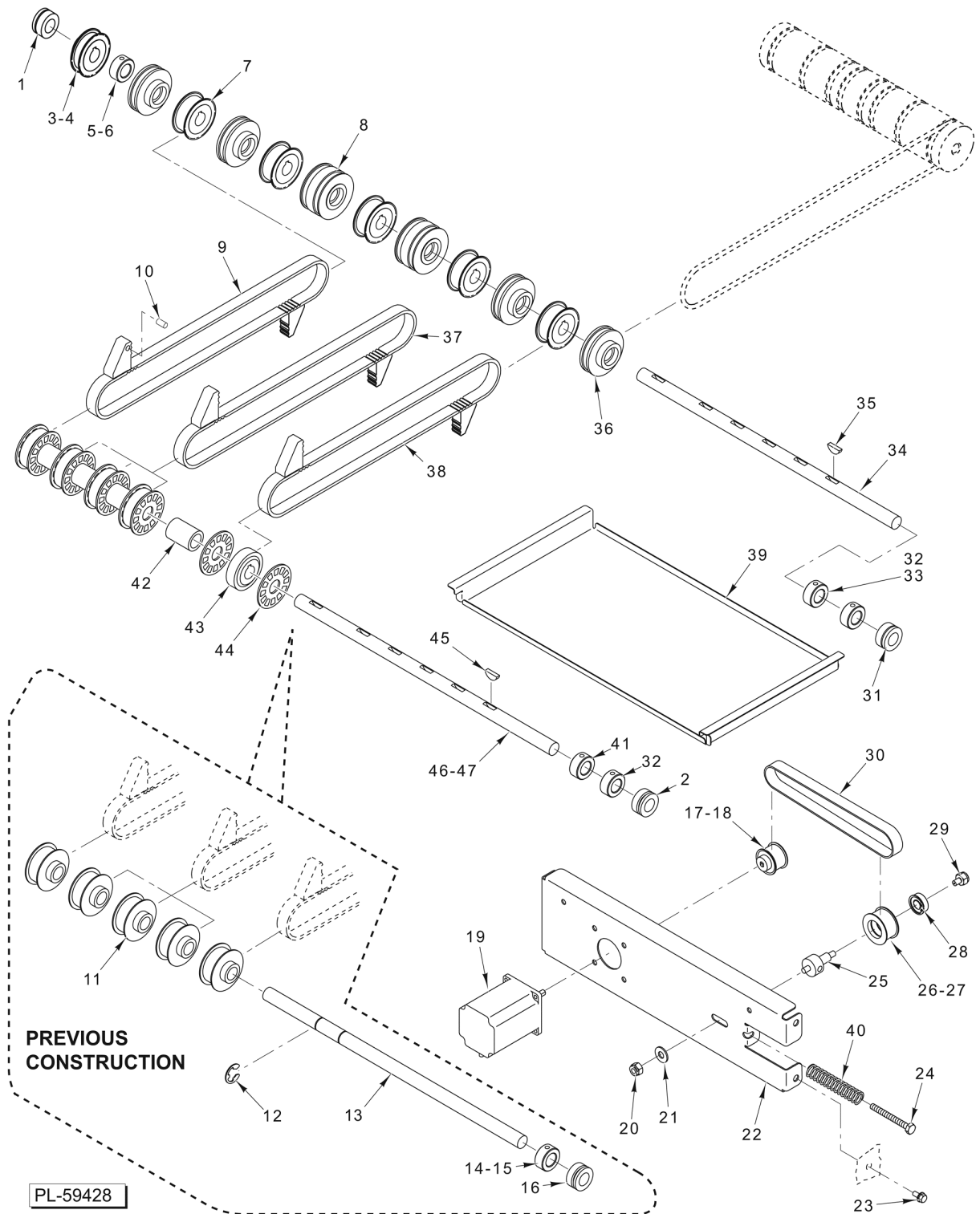


PL-59432

**LOWER AND SIDE PANELS**

### LOWER AND SIDE PANELS

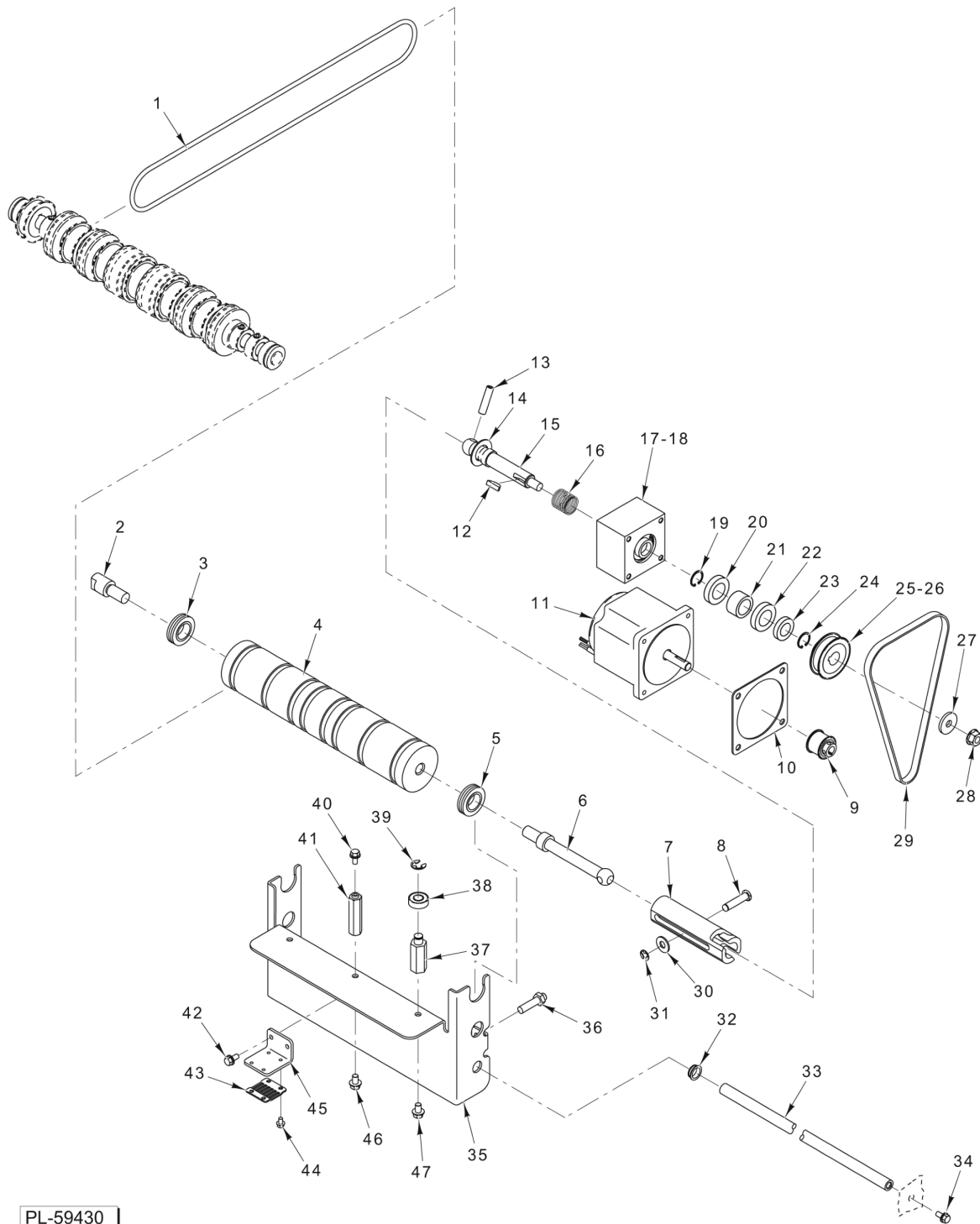
ILLUS. PL-59432	PART NO.	NAME OF PART	AMT.
1	00-438131-00007	Plate - Warning.....	1
2	SD-033-56	Self-Tapping Screw #2 x 3/16 Rd. Hd., Type U (SST).....	2
3	00-444333	Cover - Intake Panel.....	1
4	SC-080-13	Mach. Screw 10-24 x 7/8 Phil. Fil. Hd. (SST).....	2
5	00-444334	Cover - Intake.....	1
6	00-444292	Bracket - Intake Mount (RH).....	1
7	00-444332	Cover - Intake Lower.....	1
8	SC-053-41	Mach. Screw 1/4-20 x 1/2 Slotted Truss Hd. (SST).....	2
9	00-444892-00001	Cover Assy. - Switch.....	1
10	00-444524	Spring - Door.....	2
11	00-444339	Cover - Front End.....	1
12	00-444337	Cover - Corner.....	2
13	00-444330	Cover - Lower Front (LH).....	1
14	00-444293	Bracket - Intake Mount (LH).....	1
15	00-444341	Cover - Front Left.....	1
16	00-444343	Cover - Side Door Assy.....	1
17	00-444338	Cover - Corner.....	2
18	00-444286	Bracket - Cover Mounting.....	1
19	00-444348	Cover - Lower Left.....	1
20	00-444286	Bracket - Cover Mounting.....	1
21	00-330866	Leg - Adjustable (4 In.).....	1
22	00-442096	Caster - Swivel.....	2
23	00-330866	Leg - Adjustable (4 In.).....	1
24	00-444676	Caster Fixed.....	2
25	00-330866	Leg - Adjustable (4 In.).....	2
26	00-444352	Cover - Sensor.....	1



**PRIMARY INTAKE**

## PRIMARY INTAKE

ILLUS.	PART NO.	NAME OF PART	AMT.
	<b>PL-59428</b>		
1	00-443827	Bearing 5/8 (1/16 Groove).....	1
2	00-443828	Bearing 5/8 (1/8 Groove).....	2
3	00-443868	Pulley (30T) (Incls. Item 4).....	1
4	SC-125-19	Set Screw 10-32 x 1/4 Hex Hdls., Cup Pt. (SST).....	1
5	00-443821	Collar 5/8 (SST) (Incls. Item 6).....	1
6	SC-119-81	Set Screw 5/16-18 x 5/16 Hex Hdls. Cup Pt. (SST).....	1
7	00-445878	Pulley (30T).....	5
8	00-443897	Pulley - Idler.....	2
9	00-443936	Belt - Intake (White) (Incls. Item 10).....	1
10	00-443938	Magnet.....	2
11	00-443885	Pulley - Timing Belt Idler.....	5
12	RR-012-04	Retaining Ring.....	2
13	00-443854	Shaft - Idler.....	1
14	00-443821	Collar 5/8 (SST) (Incls. Item 15).....	2
15	SC-115-95	Set Screw 5/16-18 x 3/4 Hex Hdls., Cup Pt. (SST).....	2
16	00-443828	Bearing 5/8 (1/8 Groove).....	2
17	00-443861	Pulley (18T).....	1
18	SC-125-19	Set Screw 10-32 x 1/4 Hex Hdls., Cup Pt. (SST).....	1
19	00-442248	Motor - Stepper (Shifter).....	1
20	NS-036-19	Stop Nut 5/16-18 Hex (SST).....	1
21	WS-029-05	Washer (SST).....	1
22	00-445947	Bracket Assy.....	1
23	SC-129-49	Mach. Screw 1/4-20 x 1/2 Hex Washer Hd. (SST).....	1
24	SC-129-52	Cap Screw 1/4-20 x 4-1/2 Hex Hd. (SST).....	1
25	00-443900	Spacer - Idler.....	1
26	00-443866	Pulley - Idler (Incls. Items 27 & 28).....	1
27	RR-012-32	Retaining Ring.....	1
28	00-443943	Bearing - Ball.....	1
29	NS-036-19	Stop Nut 5/16-18 Hex (SST).....	4
30	00-446216	Belt (450mm) (90T).....	1
31	00-443827	Bearing 5/8 (1/16 Groove).....	1
32	00-443821	Collar 5/8 (SST) (Incls. Item 33).....	2
33	SC-119-81	Set Screw 5/16-18 x 5/16 Hex Hdls. Cup Pt. (SST).....	2
34	00-443889	Shaft - Drive.....	1
35	KW-003-10	Key - Woodruff 3/16 x 3/4.....	1
36	00-443888	Pulley - Idler.....	4
37	00-445271	Belt - Intake (Gray).....	3
38	00-443937	Belt - Intake (White).....	1
39	00-445503	Pan - Intake.....	1
40	00-445948	Spring - Shift Belt.....	1
41	00-446082	Collar.....	2
42	00-446734	Spacer.....	4
43	00-446784	Pulley (5mm) (30T).....	5
44	00-446785	Flange.....	10
45	KW-004-05	Key - Woodruff 3/16 x 3/4 (SST).....	5
46	00-443889	Shaft - Drive.....	1
47	00-446732	Shaft Assy. (Idler) (Incls. Items 2 & 41 thru 46).....	1

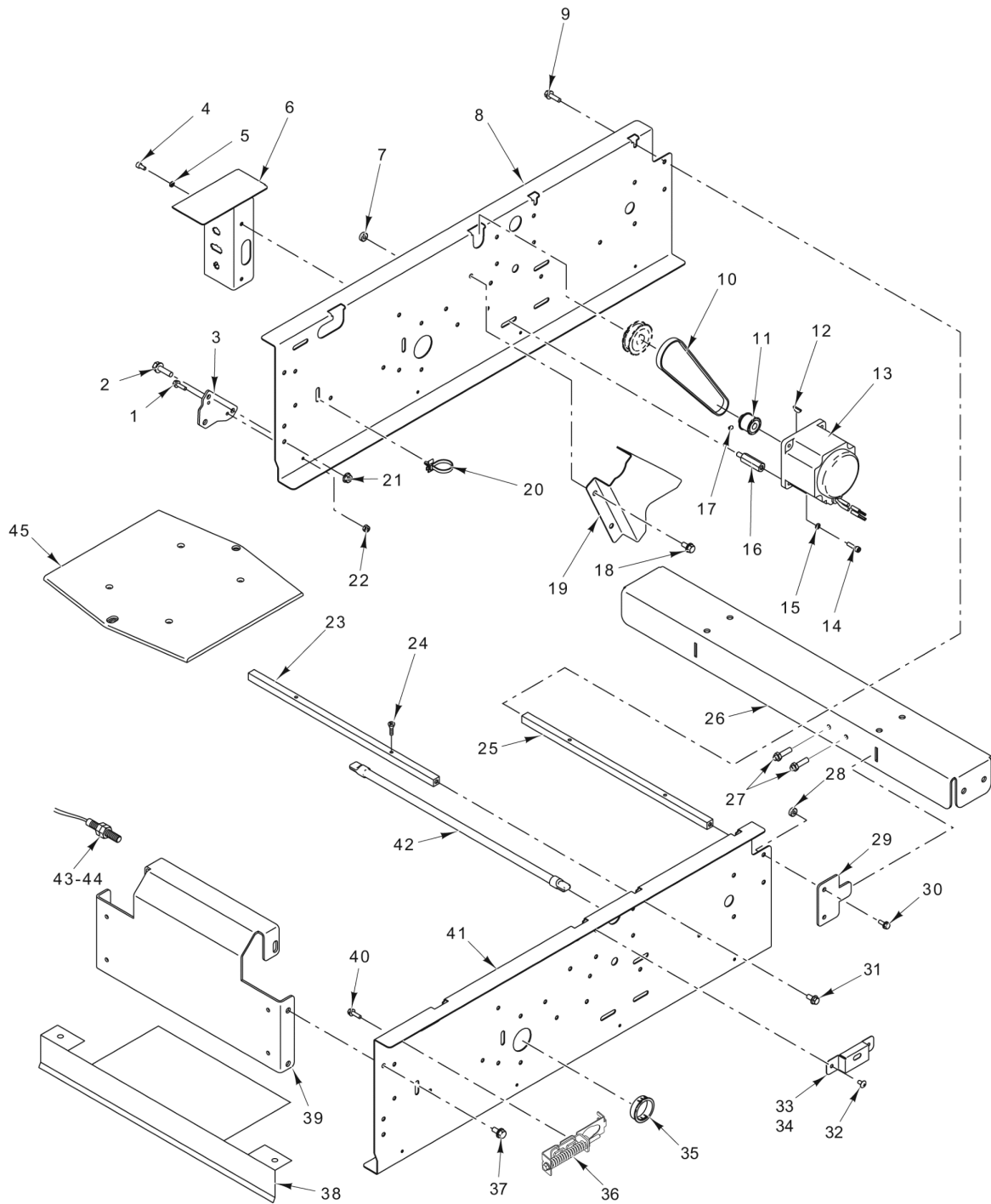


PL-59430

**PRIMARY INTAKE SHIFT CONVEYOR AREA**

## PRIMARY INTAKE SHIFT CONVEYOR AREA

ILLUS. PL-59430	PART NO.	NAME OF PART	AMT.
1	00-446065	Belt - Intake Shift Conveyor.....	8
2	00-443883	Shaft (LH).....	1
3	00-443826	Bearing 3/4 In.....	1
4	00-446064	Roller - Conveyor (Knurled).....	1
5	00-443826	Bearing 3/4.....	1
6	00-443859	Shaft - Drive.....	1
7	00-443942	Coupling - Intake Drive.....	1
8	00-443884	Pin - Clevis 5/16 (SST).....	1
9	00-443860	Pulley - Motor (16T).....	1
10	00-443963	Spacer - Motor Mounting.....	1
11	00-446002	Motor - Brushless (220 W.) (82 In. Motor Lead).....	1
12	KW-004-05	Key - Woodruff 3/16 x 3/4 (SST).....	1
13	RP-006-42	Pin - Roll 0.312 x 1-1/4 (SST).....	1
14	00-444537	Washer.....	1
15	00-443964	Shaft - Drive.....	1
16	00-444353	Spring - Shift Collar.....	1
17	00-443949	Block - Bearing Mount.....	1
18	00-444539	Drive Assy. - Conveyor.....	1
19	RR-012-01	Retaining Ring (SST).....	1
20	00-443950	Bearing 5/8 In.....	1
21	00-443961	Spacer - Bearing.....	1
22	00-443950	Bearing 5/8 In.....	1
23	00-443962	Spacer - Pulley.....	1
24	RR-012-01	Retaining Ring (SST).....	1
25	00-445504	Pulley (30T).....	2
26	SC-125-19	Set Screw 10-32 x 1/4 Hex Hdls., Cup Pt. (SST).....	1
27	WS-028-37	Washer (SST).....	1
28	NS-038-10	Lock Nut 3/8-16 Hex.....	1
29	00-446220	Belt - Side (535mm).....	1
30	WS-029-05	Washer (SST).....	1
31	RR-012-27	Retaining Ring.....	1
32	00-043411	Bearing (Nyliner).....	1
33	00-443858	Shaft.....	1
34	SC-129-49	Mach. Screw 1/4-20 x 1/2 Hex Washer Hd. (SST).....	1
35	00-443857	Bracket - Slide.....	1
36	00-443238	Magnet - Sensor.....	1
37	00-443887	Stud - Eccentric.....	2
38	00-443943	Bearing - Ball.....	2
39	RR-009-10	Retaining Ring 3/8 In. (SST).....	2
40	SC-066-22	Mach. Screw 10-32 x 3/8 Phil. Truss Hd. (SST).....	1
41	00-443892	Pivot - Drive Post.....	1
42	SC-129-49	Mach. Screw 1/4-20 x 1/2 Hex Washer Hd. (SST).....	1
43	00-443906	Clamp - Belt.....	1
44	SC-128-55	Mach. Screw 8-32 x 1/4 Hex Hd.....	4
45	00-443899	Bracket - Belt Mounting.....	1
46	SC-100-08	Mach. Screw 1/4-20 x 3/8 Hex Washer Hd.....	1
47	SC-129-49	Mach. Screw 1/4-20 x 1/2 Hex Washer Hd. (SST).....	1

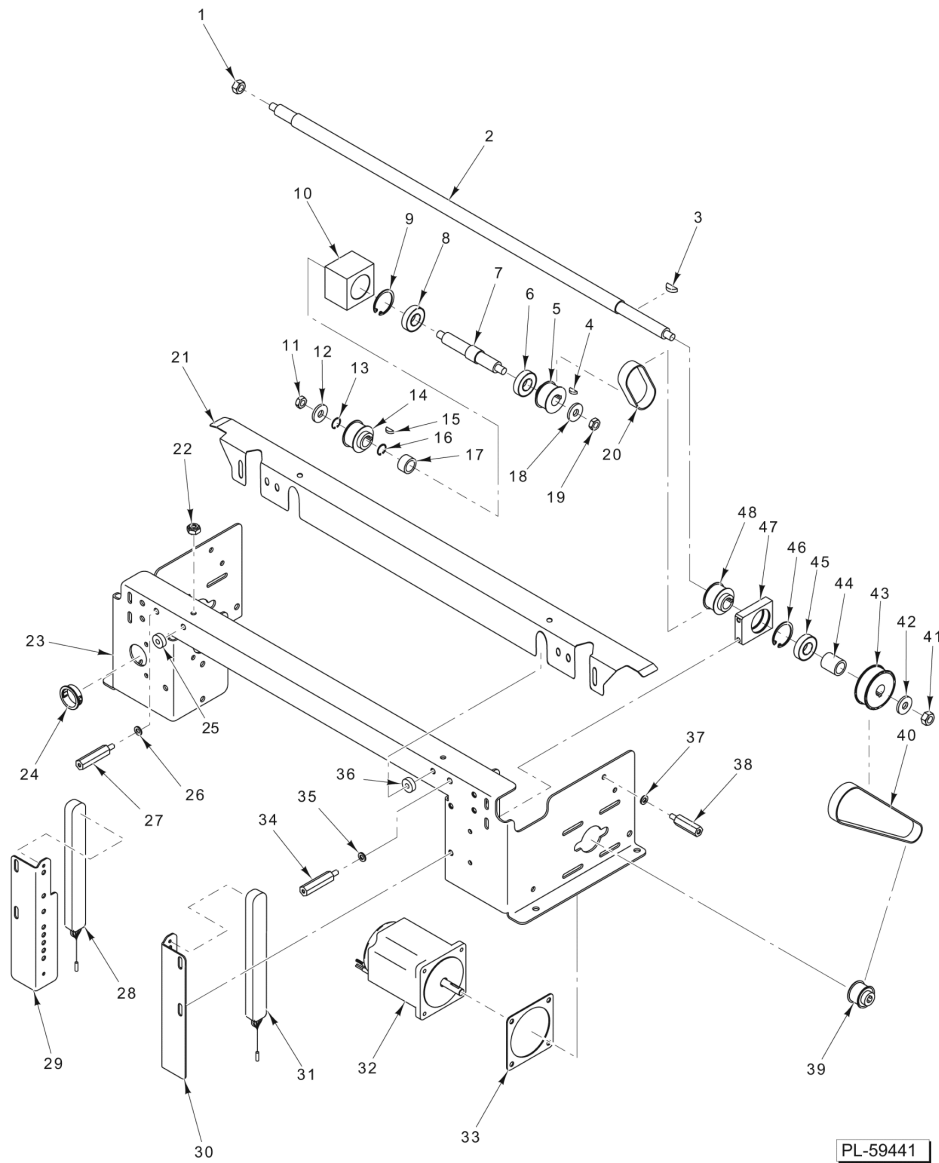


PL-59427

### INTAKE FRAME

## INTAKE FRAME

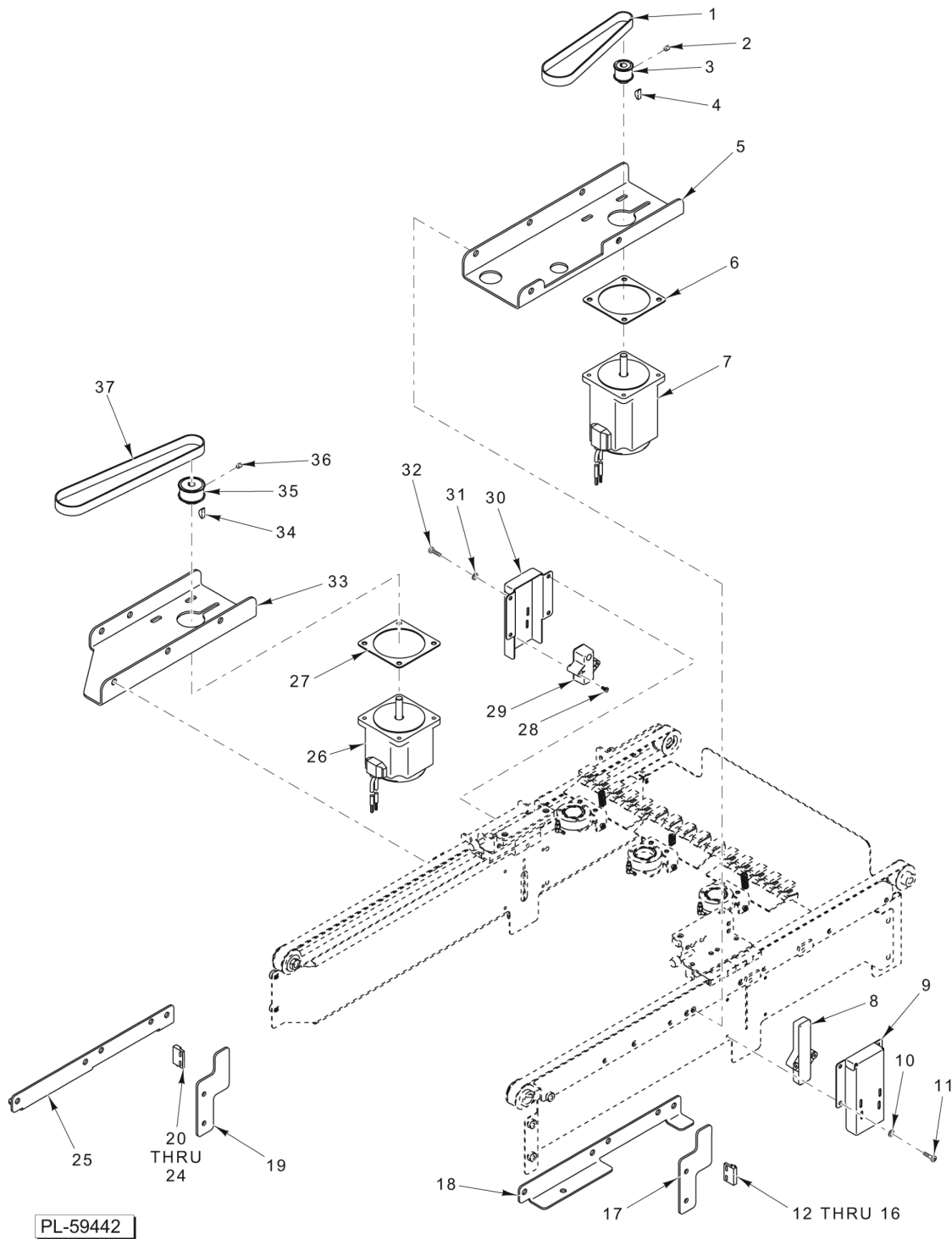
ILLUS. PL-59427	PART NO.	NAME OF PART	AMT.
1	SC-093-04	Mach. Screw 8-32 x 1/2 Phil. Pan Hd. (SST).....	2
2	SC-129-49	Mach. Screw 1/4-20 x 1/2 Hex Washer Hd. (SST).....	2
3	00-444459	Bracket Assy. - Intake Mounting.....	2
4	SC-066-22	Mach. Screw 10-32 x 3/8 Phil. Truss Hd. (SST).....	2
5	WL-006-07	Lockwasher #10 Helical (SST).....	2
6	00-445835	Bracket - Connector Mounting.....	1
7	NS-049-06	Lock Nut 1/4-20 (SST).....	3
8	00-443822	Frame - Conveyor (LH).....	1
9	SC-129-49	Mach. Screw 1/4-20 x 1/2 Hex Washer Hd. (SST).....	2
10	00-446214	Belt - Weigher (450mm) (95T).....	1
11	00-443860	Pulley (16T) (Incls. Item 17).....	1
12	KW-004-09	Key - Woodruff.....	1
13	00-443220	Motor - Brushless (220 W.).....	1
14	SC-059-17	Cap Screw 10-32 x 3/4 Hex Socket Hd. (SST).....	4
15	WL-006-07	Lockwasher #10 Helical (SST).....	4
16	00-443851	Spacer - Motor.....	3
17	SC-125-19	Set Screw 10-32 x 1/4 Hex Hdls., Cup Pt. (SST).....	2
18	SC-129-49	Mach. Screw 1/4-20 x 1/2 Hex Washer Hd. (SST).....	2
19	00-443894	Guard Assy. - Belt.....	1
20	00-444428	Tie - Cable Releasable.....	AR
21	NS-049-06	Lock Nut 1/4-20 (SST).....	1
22	NS-031-08	Stop Nut 8-32 Special (SST).....	2
23	00-446231	Spacer.....	1
24	SC-114-99	Mach. Screw 10-32 x 1/2 Phil. Flat Hd. (SST).....	4
25	00-446231	Spacer.....	1
26	00-446036	Support - Intake Assy.....	1
27	00-446021	Sensor Assy. - Home Limit.....	2
28	NS-049-06	Lock Nut 1/4-20 (SST).....	4
29	00-443825	Bracket - Alignment.....	2
30	SC-129-49	Mach. Screw 1/4-20 x 1/2 Hex Washer Hd. (SST).....	4
31	SC-129-49	Mach. Screw 1/4-20 x 1/2 Hex Washer Hd. (SST).....	2
32	SC-066-22	Mach. Screw 10-32 x 3/8 Phil. Truss Hd. (SST).....	2
33	00-446516	Bracket - Light Tube.....	2
34	00-443177	Housing Assy. - Tab.....	1
35	FE-023-53	Bushing - Snap (Elect.).....	2
36	00-445364	Tension Assy. (Incls. Item 43).....	2
37	SC-129-49	Mach. Screw 1/4-20 x 1/2 Hex Washer Hd. (SST).....	2
38	00-445053	Shield - Deflector.....	1
39	00-443893	Guard - Mercer.....	1
40	SC-129-49	Mach. Screw 1/4-20 x 1/2 Hex Washer Hd. (SST).....	4
41	00-443823	Frame - Conveyor (RH).....	1
42	00-446088	Tube - Light Assy.....	1
43	00-446022	Sensor - Position.....	1
44	NS-018-10	Jam Nut 5/16-24 Hex (SST).....	2
45	00-443891	Bed - Pivoting Conveyor.....	1



### GRIPPER DRIVE AND HEIGHT SENSORS

## GRIPPER DRIVE AND HEIGHT SENSORS

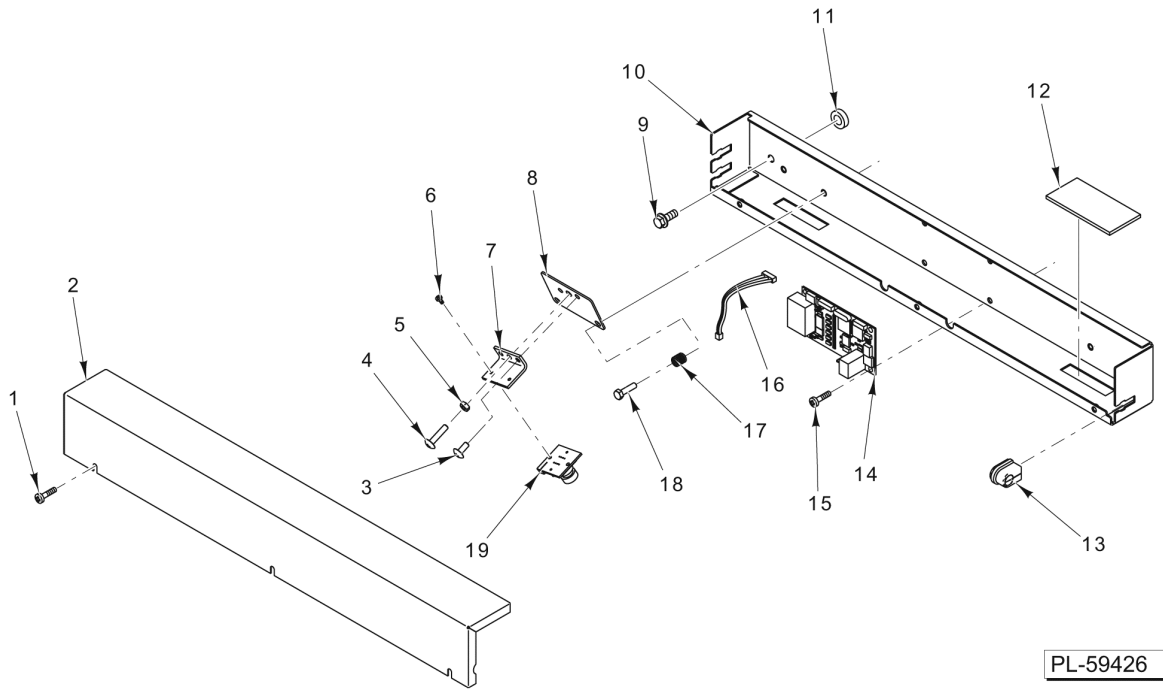
ILLUS.	PART NO.	NAME OF PART	AMT.
PL-59441			
1	NS-018-18	Jam Nut 3/8-24 Hex (SST).....	1
2	00-444357	Shaft - Gripper Drive.....	1
3	KW-004-05	Key - Woodruff 3/16 x 3/4 (SST).....	2
4	KW-004-05	Key - Woodruff 3/16 x 3/4 (SST).....	1
5	00-443865	Pulley (22T).....	1
6	00-443950	Bearing.....	1
7	00-444361	Shaft.....	1
8	00-443950	Bearing.....	1
9	RR-012-01	Retaining Ring.....	2
10	00-444362	Block - Bearing.....	2
11	NS-018-18	Jam Nut 3/8-24 Hex (SST).....	1
12	WS-018-40	Washer (SST).....	1
13	RR-012-01	Retaining Ring.....	1
14	00-443865	Pulley (22T).....	1
15	KW-004-05	Key - Woodruff 3/16 x 3/4 (SST).....	1
16	RR-012-01	Retaining Ring.....	1
17	00-444360	Spacer.....	1
18	WS-018-40	Washer (SST).....	1
19	NS-018-18	Jam Nut 3/8-24 Hex (SST).....	1
20	00-446215	Belt (200mm).....	2
21	00-445470	Guide - Belt.....	1
22	00-444198	Mount - Sealer Rear.....	2
23	00-443983	Bracket - Front.....	1
24	FE-026-29	Bushing - Electrical Snap.....	1
25	00-444445	Spacer.....	1
26	WL-003-38	Lockwasher 1/4 Helical.....	1
27	00-444447	Standoff - Front Cover.....	1
28	00-443730	Height Detector Assy. (LH).....	1
29	00-443818	Bracket - Height Sensor (LH).....	1
30	00-443817	Bracket - Height Sensor (RH).....	1
31	00-443729	Height Detector Assy. (RH).....	1
32	00-446003	Motor - Brushless (440 W.) (82 In. Motor Lead).....	1
33	00-443963	Spacer - Motor Mounting.....	1
34	00-444447	Standoff - Front Cover.....	1
35	WL-003-38	Lockwasher 1/4 Helical.....	1
36	00-444445	Spacer.....	1
37	WL-003-38	Lockwasher 1/4 Helical.....	1
38	00-444448	Standoff - Side Cover.....	1
39	00-443862	Pulley (18T).....	1
40	00-446216	Belt (450mm) (90T).....	1
41	NS-018-18	Jam Nut 3/8-24 Hex (SST).....	1
42	WS-018-40	Washer (SST).....	1
43	00-443871	Pulley (34T).....	1
44	00-444358	Spacer.....	1
45	00-443950	Bearing.....	2
46	RR-012-01	Retaining Ring.....	2
47	00-444370	Block - Bearing.....	2
48	00-443865	Pulley (22T).....	2
	00-444359	Block Assy. - Bearing.....	2
	00-444954	Emitter Assy.....	1
	00-444953	Sensor Assy. (Package).....	1



**SIDE CLAMP AND SIDE UNDERFOLDER MOTORS**

## SIDE CLAMP AND SIDE UNDERFOLDER MOTORS

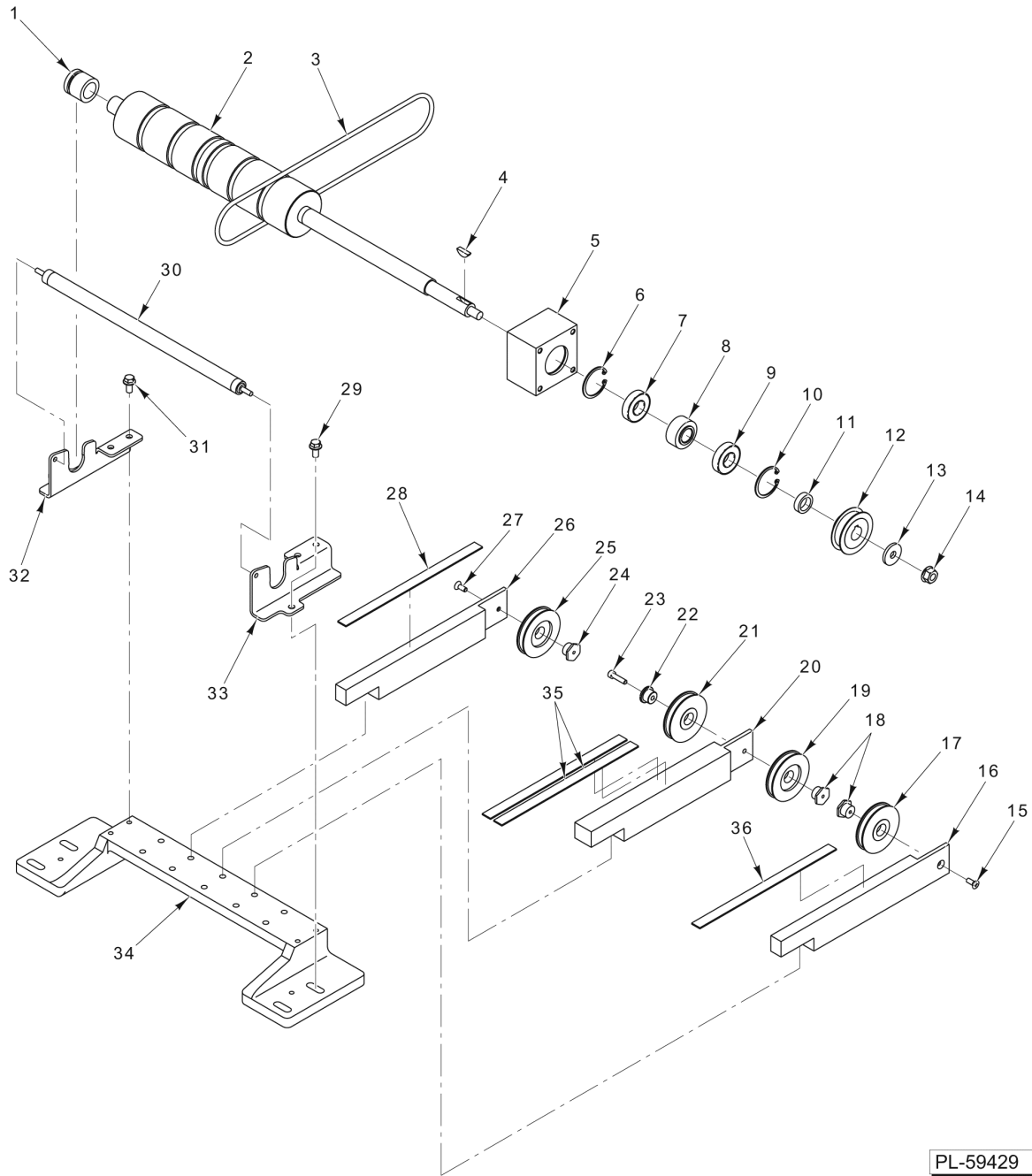
ILLUS.	PART NO.	NAME OF PART	AMT.
PL-59442			
1	00-445634	Belt (85T) (425mm) (Side Clamps).....	1
2	SC-125-19	Set Screw 10-32 x 1/4 Hex Hdls., Cup Pt. (SST).....	1
3	00-443860	Pulley (16T) (Incls. Item 2).....	1
4	KW-004-09	Key - Woodruff.....	1
5	00-444021	Bracket - Motor (RH).....	1
6	00-443963	Spacer - Motor Mounting.....	1
7	00-446003	Motor - Brushless (440 W.) (82 In. Motor Lead) (Side Clamps).....	1
8	00-444953	Sensor Assy. (Package).....	1
9	00-443814	Bracket - Elevator Sensor.....	1
10	WL-006-02	Lockwasher #8 Helical (SST).....	4
11	SC-093-04	Mach. Screw 8-32 x 1/2 Phil. Pan Hd. (SST).....	4
12	00-443209	Interlock Harness Assy.....	1
13	00-183396	Plate - Screw Switch.....	1
14	SC-021-02	Mach. Screw 4-40 x 1/2 Slotted Rd. Hd. (SST).....	2
15	WS-029-24	Washer.....	2
16	WL-003-03	Lockwasher #4 Helical.....	2
17	00-444427	Stop - Door.....	2
18	00-443992	Frame (RH).....	1
19	00-444427	Stop - Door.....	1
20	00-443209	Interlock Harness Assy.....	1
21	00-183396	Plate - Screw Switch.....	1
22	SC-021-02	Mach. Screw 4-40 x 1/2 Slotted Rd. Hd. (SST).....	2
23	WS-029-24	Washer.....	2
24	WL-003-03	Lockwasher #4 Helical.....	2
25	00-443991	Frame (LH).....	1
26	00-446002	Motor - Brushless (220 W.) (82 In. Motor Lead) (Side Underfolder).....	1
27	00-443963	Spacer - Motor Mounting.....	1
28	SD-037-72	Self-Tapping Screw 6-19 x 1/2 Phil. Pan Hd.....	2
29	00-444954	Emitter Assy.....	1
30	00-443814	Bracket - Elevator Sensor.....	1
31	WL-006-02	Lockwasher #8 Helical (SST).....	4
32	SC-093-04	Mach. Screw 8-32 x 1/2 Phil. Pan Hd. (SST).....	4
33	00-444020	Bracket - Motor (LH).....	1
34	KW-004-09	Key - Woodruff.....	1
35	00-443860	Pulley (16T) (Incls. Item 36).....	1
36	SC-125-19	Set Screw 10-32 x 1/4 Hex Hdls., Cup Pt. (SST).....	1
37	00-446220	Belt (535mm) (Side Underfolder).....	1



**CAMERA ENCLOSURE**

**CAMERA ENCLOSURE**

ILLUS.	PART NO.	NAME OF PART	AMT.
PL-59426			
1	SC-018-25	Mach. Screw 10-32 x 3/8 Phil. Pan Hd.....	3
2	00-446181	Cover - Camera.....	1
3	SC-018-25	Mach. Screw 10-32 x 3/8 Phil. Pan Hd.....	4
4	SC-125-71	Mach. Screw 10-32 x 1-1/4 Phil. Pan Hd. (SST).....	2
5	NS-011-23	Nut 10-32 Hex (SST).....	2
6	SC-113-10	Mach. Screw 4-40 x 3/8 Phil. Pan Hd.....	4
7	00-446178	Bracket - Camera.....	2
8	00-446179	Bracket - Angle Adjustment.....	2
9	SC-129-50	Mach. Screw 1/4-20 x 5/8 Hex Washer Hd. (SST).....	2
10	00-446180	Enclosure - Camera.....	1
11	00-444445	Spacer.....	2
12	00-446233	Lens Assy.....	2
13	00-443881	Grommet.....	3
14	00-442143	Board Assy. - Sensor Control.....	1
15	SC-018-34	Mach. Screw 8-32 x 1/2 Phil. Pan Hd.....	4
16	00-443199-00001	Cable (Camera-to-Camera Board).....	2
17	00-444443	Spring - Compression.....	4
18	SC-125-69	Mach. Screw 10-32 x 1 Phil. Pan Hd.....	4
19	00-442140	Board Assy. - Sensor Array Camera.....	2

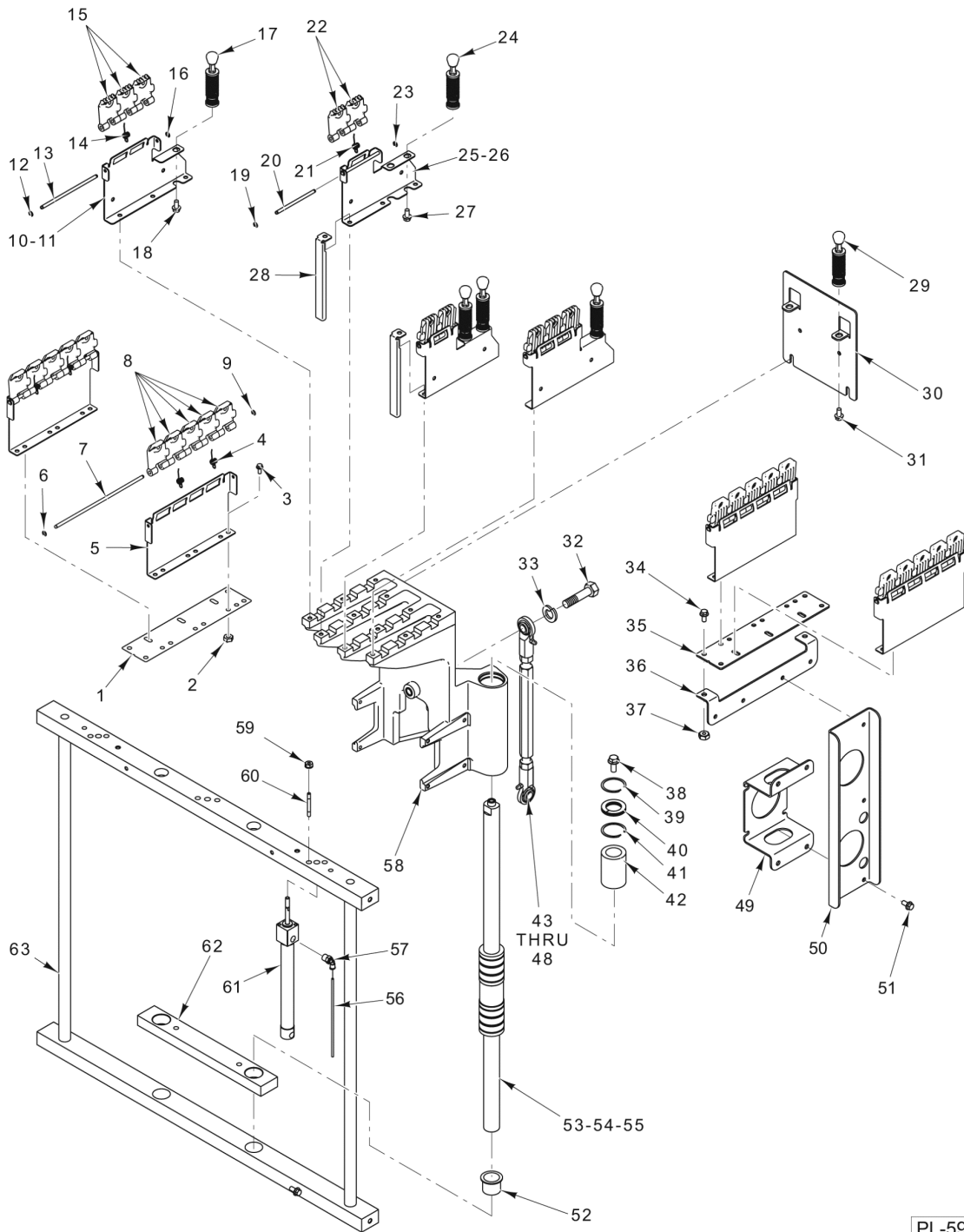


PL-59429

### ELEVATOR CONVEYOR ASSEMBLY

## ELEVATOR CONVEYOR ASSEMBLY

ILLUS. PL-59429	PART NO.	NAME OF PART	AMT.
1	00-443960	Bearing (5/8).....	1
2	00-444463	Roller Assy.....	1
3	00-443948	Belt - Elevator Conveyor.....	6
4	KW-004-05	Key - Woodruff 3/16 x 3/4 (SST).....	1
5	00-443949	Block - Bearing Mount.....	1
6	RR-012-01	Retaining Ring.....	2
7	00-443950	Bearing 5/8 Bore.....	2
8	00-443961	Spacer - Bearing.....	1
9	00-443950	Bearing 5/8 Bore.....	2
10	RR-012-01	Retaining Ring.....	2
11	00-443962	Spacer - Pulley.....	1
12	00-443868	Pulley.....	1
13	WS-028-37	Washer (SST).....	1
14	NS-038-10	Lock Nut 3/8-16 Hex.....	1
15	SC-114-99	Mach. Screw 10-32 x 1/2 Phil. Flat Hd. (SST).....	4
16	00-443952	Rail (RH).....	2
17	00-443954	Pulley - Idler.....	6
18	00-443953	Stud - Pulley Mounting.....	5
19	00-443954	Pulley - Idler.....	6
20	00-443958	Rail - Center.....	1
21	00-443954	Pulley - Idler.....	6
22	00-443959	Stud - Pulley.....	1
23	SC-059-17	Cap Screw 10-32 x 3/4 Hex Socket Hd. (SST).....	1
24	00-443953	Stud - Pulley Mounting.....	5
25	00-443954	Pulley - Idler.....	6
26	00-443951	Rail (LH).....	2
27	SC-114-99	Mach. Screw 10-32 x 1/2 Phil. Flat Hd. (SST).....	4
28	00-443957	Wearstrip.....	2
29	SC-129-49	Mach. Screw 1/4-20 x 1/2 Hex Washer Hd. (SST).....	3
30	00-443955	Roller.....	1
31	SC-129-49	Mach. Screw 1/4-20 x 1/2 Hex Washer Hd. (SST).....	3
32	00-443946	Bracket - Shaft (LH).....	1
33	00-443947	Bracket - Shaft (RH).....	1
34	00-443945	Support - Conveyor.....	1
35	00-443957	Wearstrip.....	2
36	00-443957	Wearstrip.....	1



PL-59446

### ELEVATOR AND KNIFE CYLINDERS

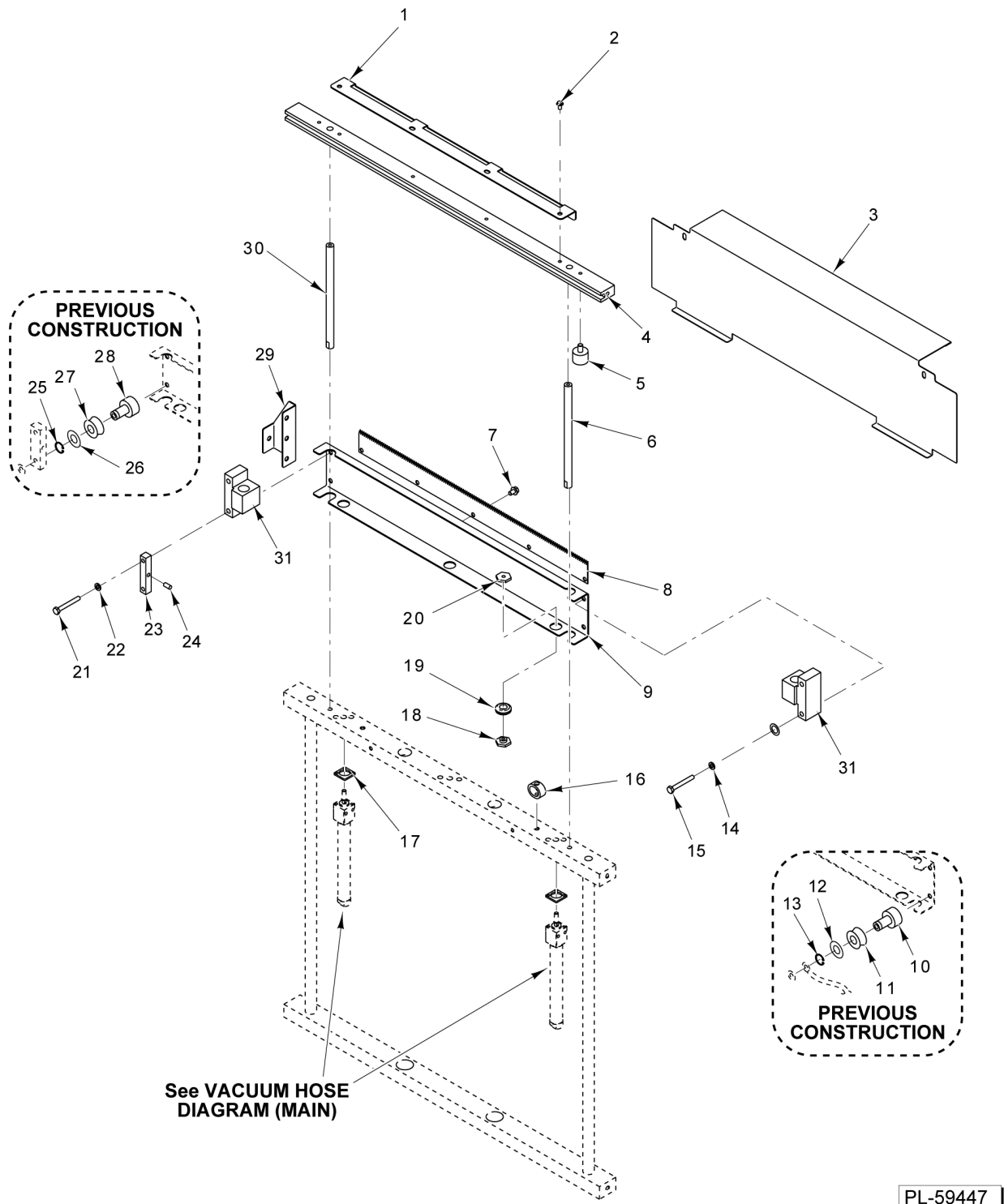
## ELEVATOR AND KNIFE CYLINDERS

ILLUS. PL-59446	PART NO.	NAME OF PART	AMT.
1	00-446449	Plate - Post Mounting.....	1
2	NS-049-06	Lock Nut 1/4-20 (SST).....	6
3	SC-129-49	Mach. Screw 1/4-20 x 1/2 Hex Washer Hd. (SST).....	6
4	00-444977	Spring - Slat.....	4
5	00-446046	Bracket - Slat.....	2
6	RR-006-03	Retaining Ring.....	2
7	00-446050	Rod - Slat.....	2
8	00-333862	Slat - Smooth.....	10
9	RR-006-03	Retaining Ring.....	2
10	00-445004	Bracket (LH) (3 Slat).....	2
11	00-445011	Bracket (RH) (3 Slat).....	2
12	RR-006-03	Retaining Ring.....	2
13	00-444883	Rod (3 Slat).....	2
14	00-444977	Spring - Slat.....	2
15	00-334067	Slat.....	6
16	RR-006-03	Retaining Ring.....	2
17	00-445009	Post Assy. - Elevator.....	2
18	SC-129-49	Mach. Screw 1/4-20 x 1/2 Hex Washer Hd. (SST).....	2
19	RR-006-03	Retaining Ring.....	2
20	00-444887	Rod (2 Slat).....	2
21	00-444977	Spring - Slat.....	2
22	00-334067	Slat.....	4
23	RR-006-03	Retaining Ring.....	2
24	00-445009	Post Assy. - Elevator.....	4
25	00-445003	Bracket (LH) (2 Slat).....	2
26	00-445010	Bracket (RH) (2 Slat).....	2
27	SC-129-49	Mach. Screw 1/4-20 x 1/2 Hex Washer Hd. (SST).....	4
28	00-445022	Bracket - Package Stop.....	2
29	00-445009	Post Assy. - Elevator.....	2
30	00-445007	Bracket - Post Mounting.....	1
31	SC-129-49	Mach. Screw 1/4-20 x 1/2 Hex Washer Hd. (SST).....	2
32	SC-041-45	Cap Screw 1/2-13 x 1-1/2 Hex Hd. (SST).....	1
33	WL-006-36	Lockwasher 1/2 Helical.....	1
34	SC-100-08	Mach. Screw 1/4-20 x 3/8 Hex Washer Hd.....	4
35	00-446449	Plate - Post Mounting.....	1
36	00-446272	Bracket - Elevator Side.....	4
37	NS-049-06	Lock Nut 1/4-20 (SST).....	AR
38	SC-100-12	Mach. Screw 5/16-18 x 3/4 Hex Washer Hd.....	1
39	00-444563	Ring - Retaining.....	2
40	00-444475	Seal Assy.....	2
41	RR-012-31	Retaining Ring.....	1
42	00-444783	Bearing - Linear.....	1
43	00-444379	Link Assy. - Elevator.....	1
44	00-445125	Link - Elevator.....	1
45	00-444380	End - Rod 1/2-20 (RH).....	1
46	00-444381	End - Rod 1/2-20 (LH).....	1
47	NS-015-16	Nut 1/2-20 Hex (SST).....	1
48	NS-048-92	Nut 1/2-20 Hex SST) (LH).....	1
49	00-446271	Bracket - Elevator.....	2
50	00-446270	Bracket - Elevator.....	2
51	SC-129-49	Mach. Screw 1/4-20 x 1/2 Hex Washer Hd. (SST).....	2
52	00-442611-00010	Bushing - Sleeve.....	2
53	00-444767	Shaft - Elevator.....	2
54	00-444783	Bearing - Linear.....	4
55	00-444552	Spacer - Bearing.....	2

### ELEVATOR AND KNIFE CYLINDERS

ILLUS.	PART NO.	NAME OF PART	AMT.
56	00-444489-00002	Tubing - Natural Polyurethane (1/8).....	2
57	00-444121	Fitting - Elbow.....	2
58	00-444209	Support - Elevator Center.....	1
59	NS-048-19	Nut Assy. 10-32 Hex (SST).....	4
60	00-445451	Stud - Knife Cylinder.....	4
61	00-445993	Cylinder - Air.....	2
62	00-444768	Bar.....	2
63	00-444229	Elevator Frame.....	1
	00-446117	Slat Assy. (LH).....	1
	00-446118	Slat Assy. (RH).....	1

## NOTES

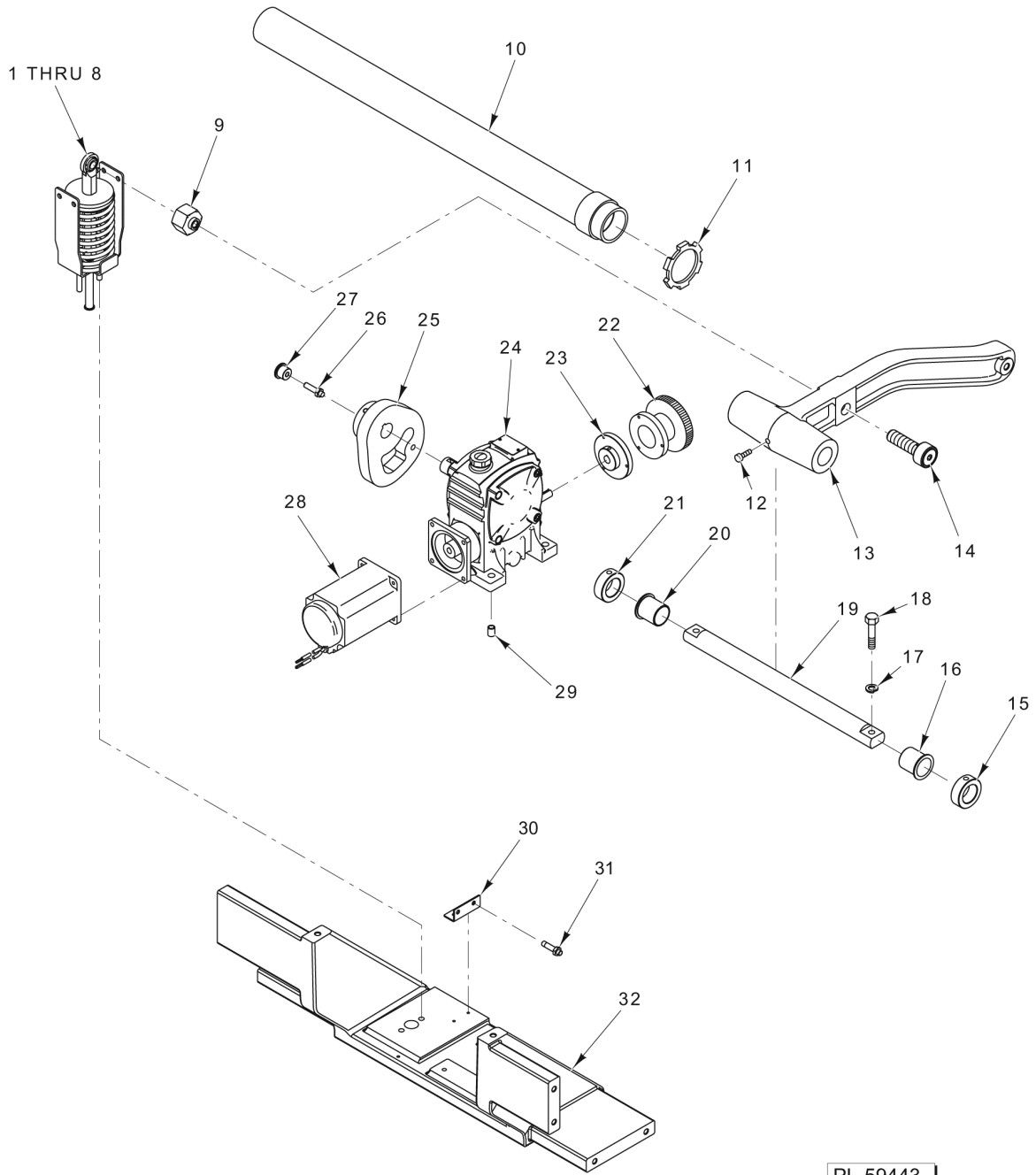


**KNIFE**

**KNIFE**

ILLUS.	PART NO.	NAME OF PART	AMT.
PL-59447			
1	00-443904	Guard - Knife.....	1
2	SC-129-49	Mach. Screw 1/4-20 x 1/2 Hex Washer Hd. (SST).....	4
3	00-446197	Bracket - Motor.....	1
4	00-443902	Frame - Top Support.....	1
5	00-444827	Bumper - Knife.....	2
6	00-443905	Rod - Slide.....	1
7	SC-100-08	Mach. Screw 1/4-20 x 3/8 Hex Washer Hd.....	1
8	00-443903	Knife.....	1
9	00-443907	Bracket - Knife.....	1
*10		Bushing - Knife Roller.....	2
*11		Roller - Knife Guide.....	2
12	WS-030-58	Washer (SST).....	2
13	RR-004-05	Retaining Ring.....	2
14	WL-006-17	Lockwasher 1/4 Helical (SST).....	2
15	SC-041-07	Cap Screw 1/4-20 x 1-1/2 Hex Hd. (SST).....	2
16	00-334272	Bumper.....	1
17	00-445452	Spacer - Knife Cylinder.....	2
18	00-443908	Jam Nut (Air Cylinder).....	3
19	00-444242	Grommet - Knife.....	3
20	00-443908	Jam Nut (Air Cylinder).....	3
21	SC-041-08	Cap Screw 1/4-20 x 2 Hex Hd. (SST).....	2
22	WL-006-17	Lockwasher 1/4 Helical (SST).....	2
23	00-446097	Block - Magnet Mounting.....	1
24	00-443938	Magnet.....	2
25	RR-004-05	Retaining Ring.....	2
26	WS-030-58	Washer (SST).....	2
*27		Roller - Knife Guide.....	2
*28		Bushing - Knife Roller.....	2
29	00-444852	Bracket Assy. (Knife Sensor).....	1
30	00-443905	Rod - Slide.....	1
31	00-447402	Bearing Assy.....	2

\* (Part no longer available. Order Item 31.)

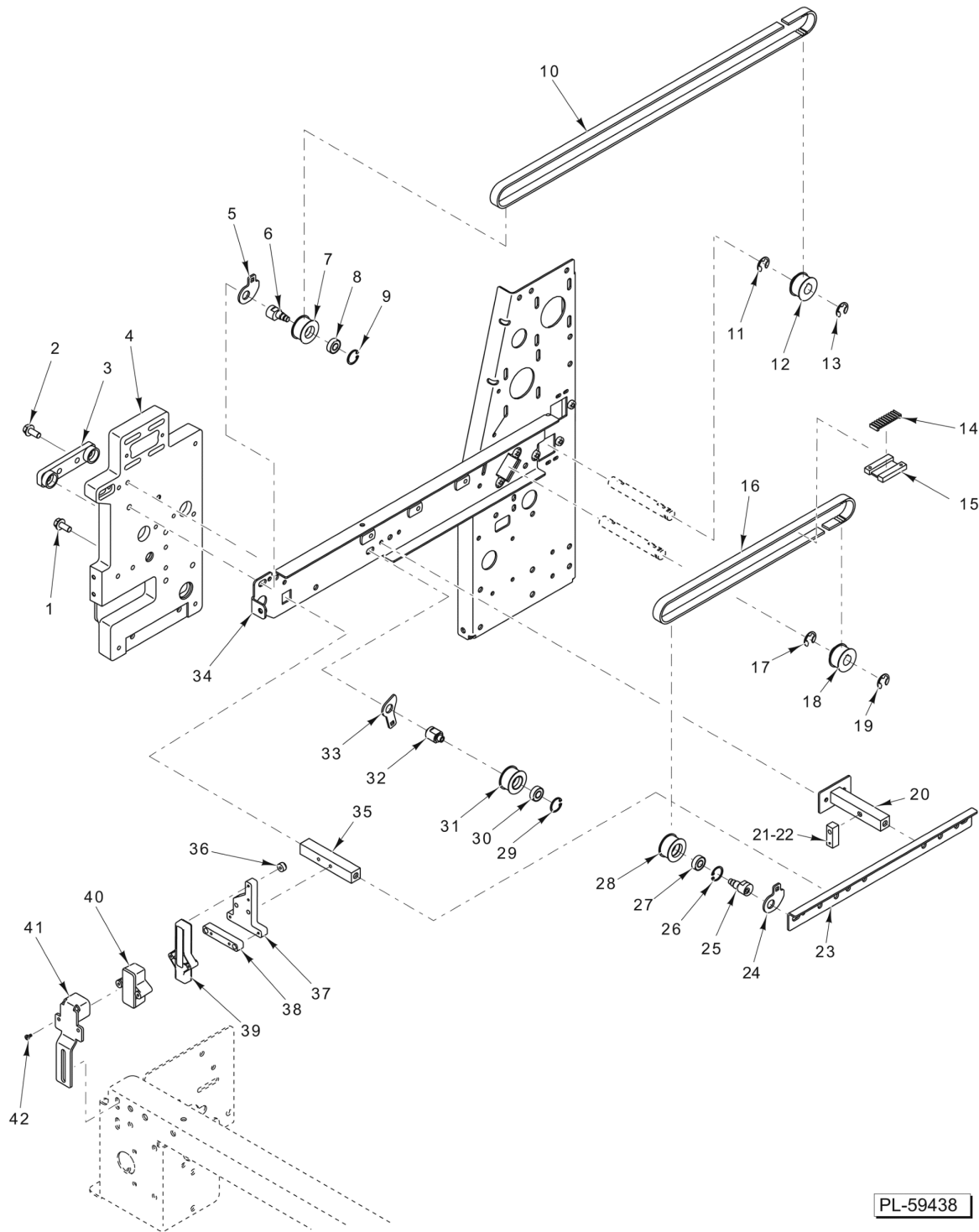


PL-59443

### ELEVATOR MOTOR

## ELEVATOR MOTOR

ILLUS.	PART NO.	NAME OF PART	AMT.
1	00-043411	Bearing (Nyliner) (1/2).....	1
2	00-444380	End - Rod 1/2-20 (RH).....	1
3	00-444390	Plate - Spring Mounting.....	1
4	00-444391	Bracket Assy. - Spring.....	1
5	00-444392	Spring - Elevator.....	1
6	00-444393	Link - Spring.....	1
7	SC-123-92	Mach. Screw 1/4-20 x 5/8 Hex Washer Hd.....	1
8	WS-022-04	Washer (SST).....	1
9	00-445951	Nut - Cam Follower.....	1
10	00-444408	Conduit - Electrical.....	1
11	FE-012-19	Lock Nut - Electrical.....	1
12	00-445241	Fitting - Grease.....	1
13	00-445949	Lever - Elevator.....	1
14	00-445950	Bearing - Cam Follower 5/8-18.....	1
15	00-444456	Collar Assy. 1-1/4 (SST).....	1
16	00-444386	Bearing - Flanged 1-1/4.....	1
17	WL-006-28	Lockwasher 3/8 Helical.....	2
18	SC-041-32	Cap Screw 3/8-16 x 1-1/2 Hex Hd. (SST).....	2
19	00-444387	Shaft - Elevator Lever.....	1
20	00-444386	Bearing - Flanged 1-1/4.....	1
21	00-444456	Collar Assy. 1-1/4 (SST).....	1
22	00-442492	Wheel - Hand.....	1
23	00-444388	Hub - Handwheel.....	1
24	00-444117	Gear - Reducer.....	1
25	00-444987	Cam - Elevator.....	1
26	00-443238	Magnet - Sensor.....	1
27	00-444495	Sleeve.....	1
28	00-446035	Motor - Brushless (660 W.) (54 In. Motor Lead).....	1
29	00-444786	Spacer - Gearbox.....	4
30	00-445615	Bracket - Home Switch.....	1
31	00-446021	Sensor - Position.....	1
32	00-444234	Mount - Gearmotor.....	1
	00-444389	Spring Assy.....	1
	00-445827	Lever Assy. - Elevator.....	1

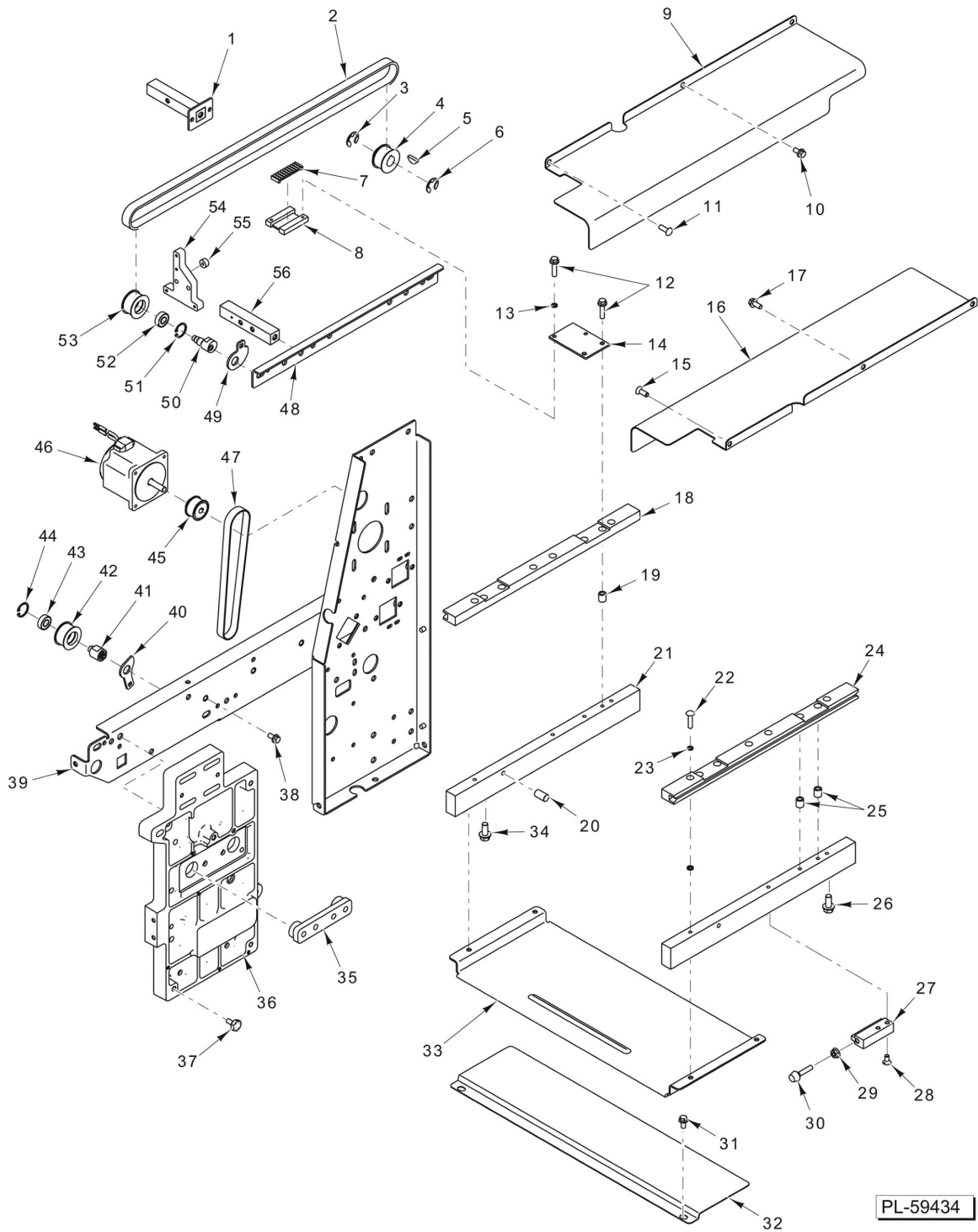


PL-59438

### LEFT FRONT FOLDER

## LEFT FRONT FOLDER

ILLUS.	PART NO.	NAME OF PART	AMT.
PL-59438			
1	00-444426	Screw - Cover Shoulder.....	1
2	SC-129-51	Cap Screw 5/16-18 x 3/4 Hex Washer Hd. (SST).....	2
3	00-444044	Mount - Slide Rods.....	1
4	00-443989	Support - Printer Display (LH).....	1
5	00-446018	Plate - Adjusting.....	1
6	00-446025	Shaft - Idler.....	1
7	00-443866	Pulley - Idler (22T) (Incls. Items 8 & 9).....	1
8	00-443943	Bearing - Ball.....	1
9	RR-012-32	Retaining Ring.....	1
10	00-446072-00004	Belt - Pusher (Cut to Length, 277T = 54 1/2 In.).....	2
11	RR-012-04	Retaining Ring.....	1
12	00-443865	Pulley (22T).....	1
13	RR-012-04	Retaining Ring.....	1
14	00-444096	Block - Belt Clamp.....	1
15	00-443929	Retainer - Belt.....	1
16	00-446072-00004	Belt - Rear Underfolder (Cut to Length, 175T = 34-7/16 In.).....	2
17	RR-012-04	Retaining Ring.....	1
18	00-443865	Pulley (22T).....	1
19	RR-012-04	Retaining Ring.....	1
20	00-444395	Standoff.....	1
21	00-444075	Block - Stop.....	1
22	00-444076	Bumper.....	1
23	00-446024	Rail - Front Folder.....	1
24	00-446018	Plate - Adjusting.....	1
25	00-446025	Shaft - Idler.....	1
26	RR-012-32	Retaining Ring.....	1
27	00-443943	Bearing - Ball.....	1
28	00-443866	Pulley - Idler (22T) (Incls. Items 26 & 27).....	1
29	RR-012-32	Retaining Ring.....	1
30	00-443943	Bearing - Ball.....	1
31	00-443866	Pulley - Idler (Incls. Items 29 & 30).....	1
32	00-446025	Shaft - Idler.....	1
33	00-446017	Plate - Adjusting.....	1
34	00-443982	Frame Assy. - Upper Left.....	1
35	00-444094	Standoff.....	1
36	00-444076	Bumper.....	1
37	00-444085	Mount - Block Stop Sensor.....	1
38	00-444086	Bar - Spacer.....	1
39	00-444953	Sensor Assy. (Package).....	1
40	00-444954	Emitter Assy.....	1
41	00-443813	Bracket - LED Mount.....	1
42	SD-037-72	Self-Tapping Screw 6-19 x 1/2 Phil. Pan Hd.....	1

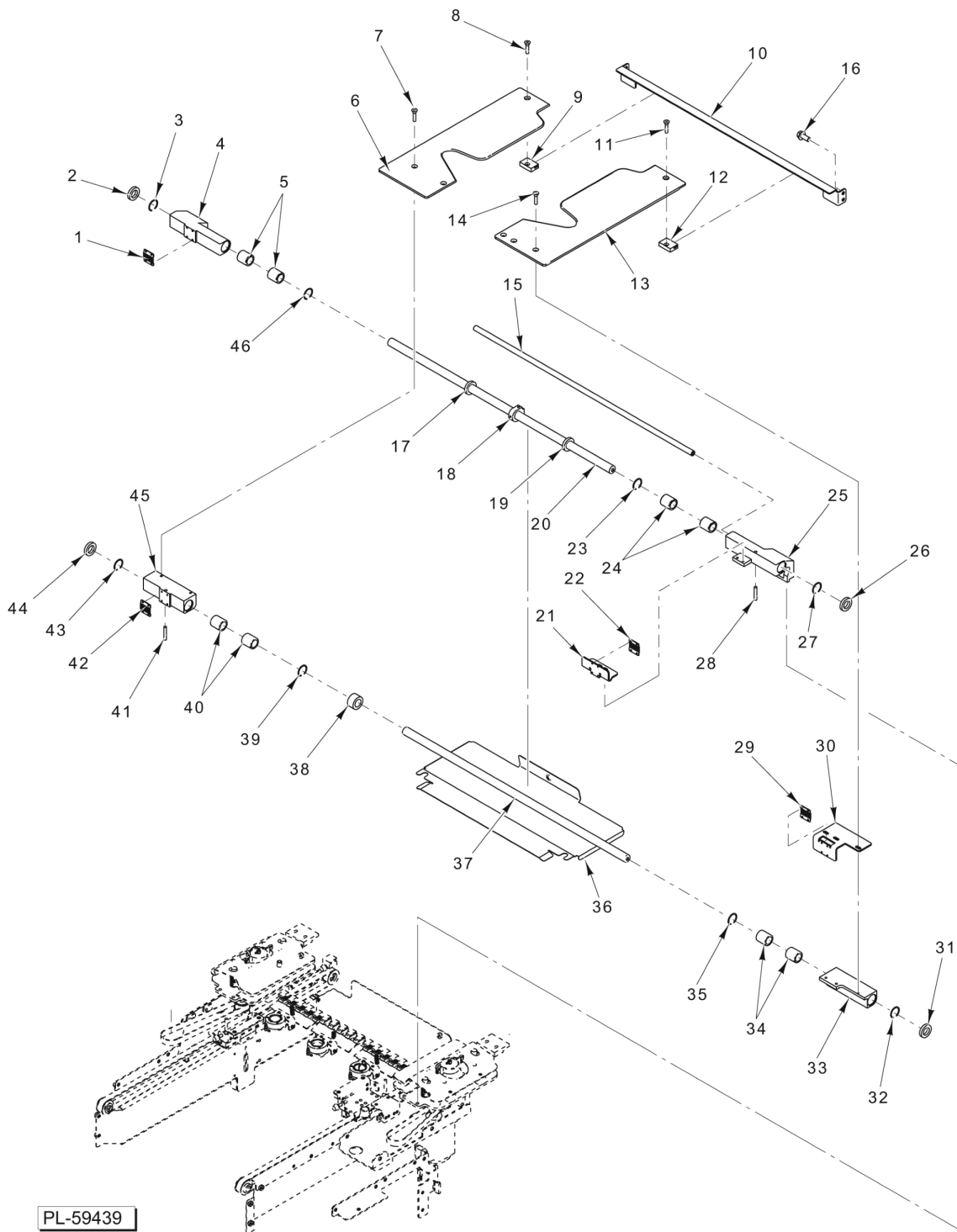


PL-59434

**RIGHT FRONT FOLDER**

## RIGHT FRONT FOLDER

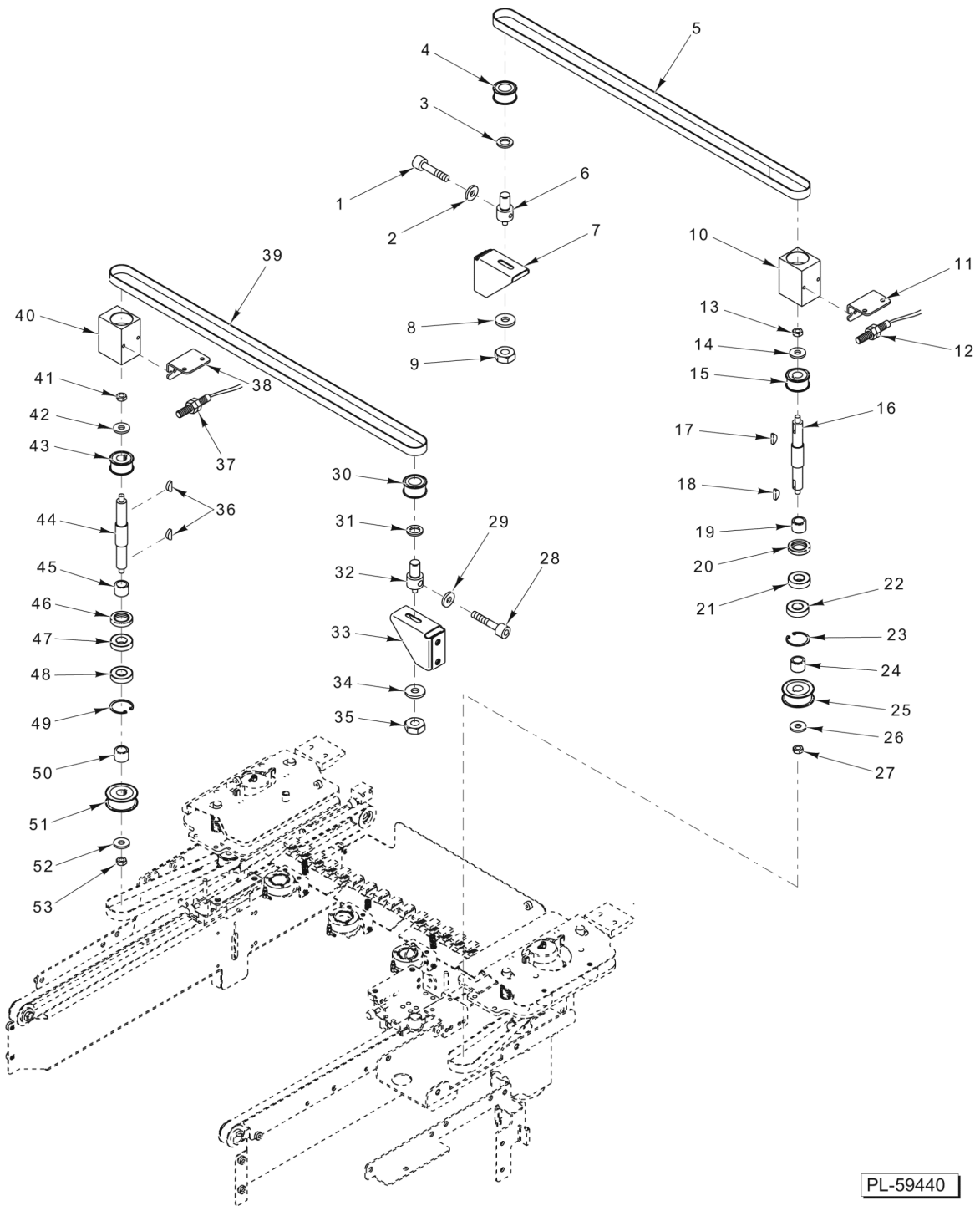
ILLUS.	PART NO.	NAME OF PART	AMT.
PL-59434			
1	00-444395	Standoff.....	1
2	00-446072-00004	Belt (Cut to Length, 232T = 45-5/8).....	2
3	RR-012-04	Retaining Ring.....	1
4	00-443865	Pulley (22T).....	1
5	KW-004-05	Key - Woodruff 3/16 x 3/4 (SST).....	1
6	RR-012-04	Retaining Ring.....	1
7	00-443929	Retainer - Belt.....	1
8	00-444096	Block - Belt Clamp.....	1
9	00-443998	Shield - Belt Left.....	1
10	SC-129-49	Mach. Screw 1/4-20 x 1/2 Hex Washer Hd. (SST).....	2
11	SC-129-50	Mach. Screw 1/4-20 x 5/8 Hex Washer Hd. (SST).....	1
12	SC-129-73	Mach. Screw 1/4-20 x 1 Hex Washer Hd.(SST).....	2
13	WL-006-07	Lockwasher #10 Helical (SST).....	2
14	00-444095	Bracket.....	1
15	SC-129-50	Mach. Screw 1/4-20 x 5/8 Hex Washer Hd. (SST).....	1
16	00-443999	Shield - Belt Right.....	1
17	SC-129-49	Mach. Screw 1/4-20 x 1/2 Hex Washer Hd. (SST).....	2
18	00-444092	Slide - Front Folder.....	1
19	00-446474	Spacer Assy. - Shuttle.....	1
20	00-443938	Magnet.....	1
21	00-444841	Bar.....	2
22	SC-110-98	Cap Screw 1/4-20 x 3/4 Hex Socket Hd. (SST).....	4
23	WL-020-06	Lockwasher 1/4 Helical (SST).....	4
24	00-444092	Slide - Front Folder.....	1
25	00-444615	Spacer Assy. - Shuttle.....	8
26	SC-059-30	Cap Screw 1/4-20 x 1 Hex Socket Hd. (SST).....	1
27	00-445417	Mount - Stop.....	1
28	SC-022-32	Mach. Screw 1/4-20 x 1/2 Slotted Flat Hd. (SST).....	2
29	NS-049-06	Lock Nut 1/4-20 (SST).....	1
30	00-443742	Bumper.....	1
31	SC-129-49	Mach. Screw 1/4-20 x 1/2 Hex Washer Hd. (SST).....	2
32	00-446211	Cover - Belt.....	1
33	00-444840	Folder - Front.....	1
34	SC-129-49	Mach. Screw 1/4-20 x 1/2 Hex Washer Hd. (SST).....	4
35	00-444044	Mount - Slide Rods.....	1
36	00-443990	Support - Printer Display (RH).....	1
37	00-444426	Screw - Cover Shoulder.....	1
38	SC-129-51	Cap Screw 5/16-18 x 3/4 Hex Washer Hd. (SST).....	3
39	00-443988	Frame - Upper Right Rear.....	1
40	00-446017	Plate - Adjusting.....	1
41	00-175998	Sensor.....	1
42	00-443866	Pulley - Idler (Incls. Items 43 & 44).....	1
43	00-443943	Bearing - Ball.....	1
44	RR-012-32	Retaining Ring.....	1
45	00-443860	Pulley (16T).....	1
46	00-446014	Motor - Brushless (220 W.) (120 In. Motor Lead) (Rear Underfold).....	1
47	00-446216	Belt - Gripper (450mm).....	1
48	00-446024	Rail - Front Folder.....	1
49	00-446018	Plate - Adjusting.....	1
50	00-446025	Shaft - Idler.....	1
51	RR-012-32	Retaining Ring.....	1
52	00-443943	Bearing - Ball.....	1
53	00-443866	Pulley - Idler (22T) (Incls. Items 51 & 52).....	1
54	00-444085	Mount - Block Stop Sensor.....	1
55	00-444076	Bumper.....	1
56	00-444094	Standoff.....	1
	00-446886	Cover - Belt (SST).....	1
	00-443997	Cover Assy. - Belt (Mylar).....	1



### SIDE UNDERFOLDERS

## SIDE UNDERFOLDERS

ILLUS. PL-59439	PART NO.	NAME OF PART	AMT.
1	00-443906	Clamp - Belt.....	1
2	00-444047	Bumper - Clamp.....	1
3	00-444005	Ring - Retaining.....	1
4	00-444579	Housing Assy. - Clamp (LH).....	1
5	00-444031	Bearing - Linear.....	2
6	00-445104	Underfolder (LH).....	1
7	SC-127-91	Mach. Screw 1/4-20 x 5/8 Phil. Flat Hd. (SST).....	4
8	SC-125-83	Mach. Screw 1/4-20 x 1/2 Phil. Flat Hd. (SST).....	1
9	00-444002	Slide.....	1
10	00-443984	Rail - Underfolder Rear.....	1
11	SC-125-83	Mach. Screw 1/4-20 x 1/2 Phil. Flat Hd. (SST).....	1
12	00-444002	Slide.....	1
13	00-445105	Underfolder (RH).....	1
14	SC-125-83	Mach. Screw 1/4-20 x 1/2 Phil. Flat Hd. (SST).....	1
15	00-444035	Shaft - Unloader.....	1
16	SC-129-49	Mach. Screw 1/4-20 x 1/2 Hex Washer Hd. (SST).....	4
17	00-444047	Bumper - Clamp.....	1
18	00-445117	Collar.....	1
19	00-444047	Bumper - Clamp.....	1
20	00-444006	Shaft.....	1
21	00-444036	Bracket - Belt Clamp.....	1
22	00-443906	Clamp - Belt.....	1
23	00-444005	Ring - Retaining.....	1
24	00-444031	Bearing - Linear.....	2
25	00-444578	Housing Assy. - Clamp (RH).....	1
26	00-444047	Bumper - Clamp.....	1
27	00-444005	Ring - Retaining.....	1
28	00-048624	Magnet.....	1
29	00-443906	Clamp - Belt.....	1
30	00-444019	Plate - Belt.....	1
31	00-444047	Bumper - Clamp.....	1
32	00-444005	Ring - Retaining.....	1
33	00-444580	Housing Assy. - Underfolder (RH).....	1
34	00-444031	Bearing - Linear.....	2
35	00-444005	Ring - Retaining.....	1
36	00-445068	Cover - Belts.....	1
37	00-444006	Shaft.....	1
38	00-444034	Bumper - Slide.....	1
39	00-444005	Ring - Retaining.....	1
40	00-444031	Bearing - Linear.....	2
41	00-048624	Magnet.....	1
42	00-443906	Clamp - Belt.....	1
43	00-444005	Ring - Retaining.....	1
44	00-444047	Bumper - Clamp.....	1
45	00-444581	Housing Assy. - Underfolder (LH).....	1
46	00-444005	Ring - Retaining.....	1

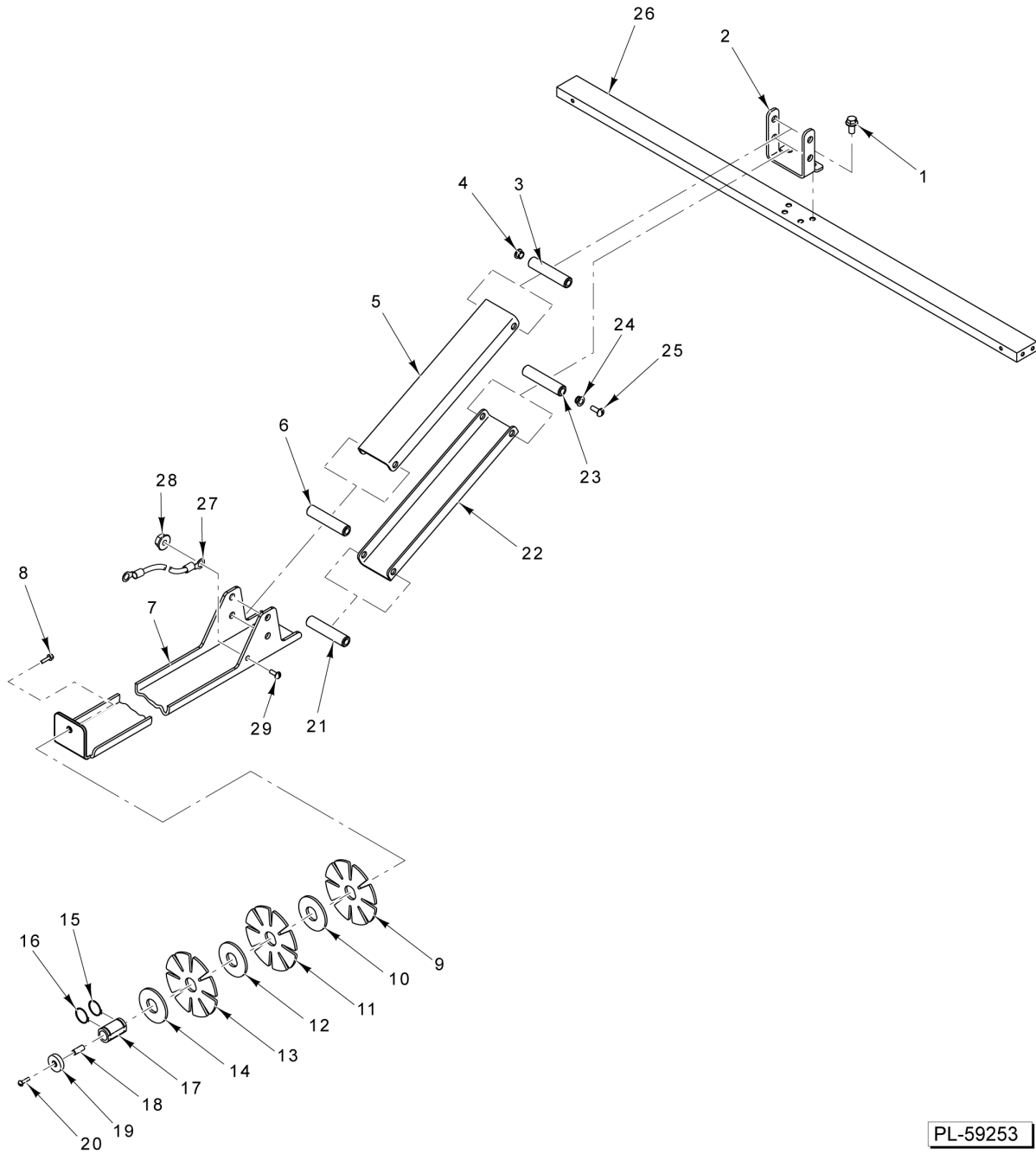


PL-59440

**SIDE UNDERFOLDERS BELT AND PULLEYS**

## SIDE UNDERFOLDERS BELT AND PULLEYS

ILLUS. PL-59440	PART NO.	NAME OF PART	AMT.
1	SC-129-54	Cap Screw 5/16-18 x 2-3/4 Hex Socket Hd. (SST)	1
2	WS-017-09	Washer (SST)	1
3	00-444025	Washer - Thrust	1
4	00-443867	Pulley Assy. - Idler	1
5	00-445635	Belt - Timing	1
6	00-444024	Stud - Idler	1
7	00-444023	Bracket Assy. - Idler	1
8	WS-028-37	Washer (SST)	1
9	NS-048-40	Lock Nut 5/16-18 Flange (SST)	1
10	00-444015	Housing - Bearing	1
11	00-444030	Bracket - Sensor Mounting	1
12	00-446021	Sensor Assy. - Home Limit	1
13	NS-018-18	Jam Nut 3/8-24 Hex (SST)	1
14	WS-018-40	Washer (SST)	1
15	00-443864	Pulley (22T)	1
16	00-444016	Shaft	1
17	KW-003-10	Key - Woodruff 3/16 x 3/4	1
18	KW-003-10	Key - Woodruff 3/16 x 3/4	1
19	00-444017	Spacer	1
20	00-444018	Seal - Shaft	1
21	00-443950	Bearing	1
22	00-443950	Bearing	1
23	RR-012-01	Retaining Ring	1
24	00-444017	Spacer	1
25	00-443869	Pulley (30T)	1
26	WS-018-40	Washer (SST)	1
27	NS-018-18	Jam Nut 3/8-24 Hex (SST)	1
28	SC-129-54	Cap Screw 5/16-18 x 2-3/4 Hex Socket Hd. (SST)	1
29	WS-017-09	Washer (SST)	1
30	00-443867	Pulley Assy. - Idler	1
31	00-444025	Washer - Thrust	1
32	00-444024	Stud - Idler	1
33	00-444023	Bracket Assy. - Idler	1
34	WS-028-37	Washer (SST)	1
35	NS-048-40	Lock Nut 5/16-18 Flange (SST)	1
36	KW-003-10	Key - Woodruff 3/16 x 3/4	2
37	00-446021	Sensor Assy. - Home Limit	1
38	00-444030	Bracket - Sensor Mounting	1
39	00-445635	Belt - Timing	1
40	00-444015	Housing - Bearing	1
41	NS-018-18	Jam Nut 3/8-24 Hex (SST)	1
42	WS-018-40	Washer (SST)	1
43	00-443864	Pulley (22T)	1
44	00-444016	Shaft	1
45	00-444017	Spacer	1
46	00-444018	Seal - Shaft	1
47	00-443950	Bearing	1
48	00-443950	Bearing	1
49	RR-012-01	Retaining Ring	1
50	00-444017	Spacer	1
51	00-443869	Pulley (30T)	1
52	WS-018-40	Washer (SST)	1
53	NS-018-18	Jam Nut 3/8-24 Hex (SST)	1
	00-444517	Bearing Shaft Assy. (Incls. Items 10 & 13 thru 27 or 36 & 40 thru 53)	1

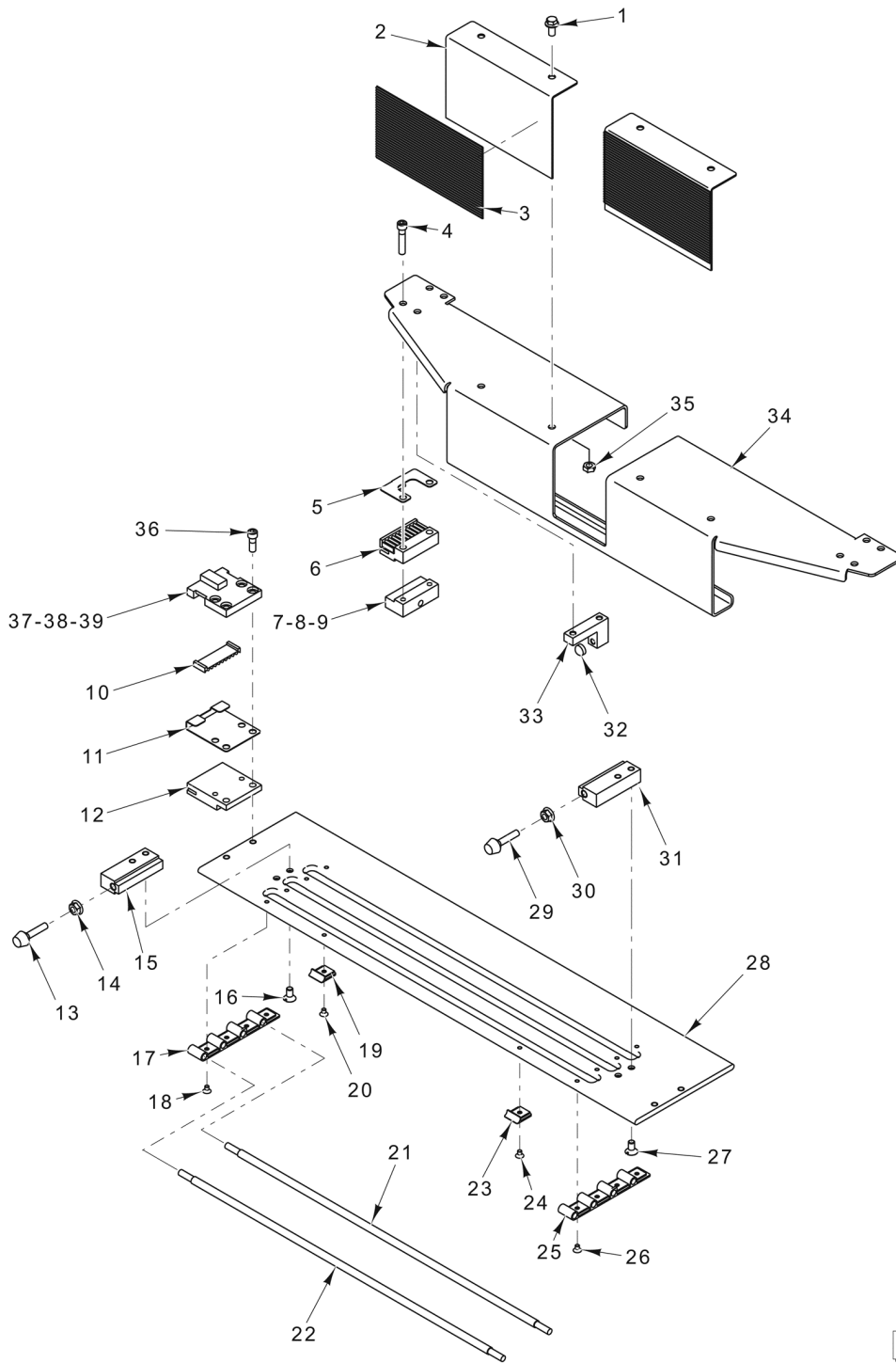


PL-59253

**PACKAGE HOLD DOWN**

**PACKAGE HOLD DOWN**

ILLUS.	PART NO.	NAME OF PART	AMT.
1	SC-129-49	Mach. Screw 1/4-20 x 1/2 Hex Washer Hd. (SST).....	1
2	00-444926	Bracket - Hold Down Mount.....	1
3	00-445398	Pin - Hold Down Pivot.....	1
4	00-175560	Bushing - Nyliner.....	8
5	00-444923	Arm - Hold Down.....	1
6	00-445398	Pin - Hold Down Pivot.....	1
7	00-445113	Hold Down.....	1
8	SC-129-49	Mach. Screw 1/4-20 x 1/2 Hex Washer Hd. (SST).....	1
9	00-445036	Disk - Roller.....	1
10	00-445037	Spacer.....	1
11	00-445036	Disk - Roller.....	1
12	00-445037	Spacer.....	1
13	00-445036	Disk - Roller.....	1
14	00-445037	Spacer.....	1
15	RR-011-03	Retaining Ring.....	1
16	RR-011-03	Retaining Ring.....	1
17	00-445038	Core - Roller.....	1
18	00-444915	Shaft - Roller.....	1
19	00-445067	Cap - Roller.....	1
20	SC-053-41	Mach. Screw 1/4-20 x 1/2 Slotted Truss Hd. (SST).....	1
21	00-445398	Pin - Hold Down Pivot.....	1
22	00-444923	Arm - Hold Down.....	1
23	00-445398	Pin - Hold Down Pivot.....	1
24	00-175560	Bushing - Nyliner.....	8
25	SC-053-05	Mach. Screw 10-24 x 3/8 Slotted Truss Hd. (SST).....	8
26	00-443979	Bar - Hold Down.....	1
27	00-445106	Cable Assy. - Ground.....	1
28	NS-049-06	Lock Nut 1/4-20 (SST).....	1
29	SC-053-41	Mach. Screw 1/4-20 x 1/2 Slotted Truss Hd. (SST).....	1

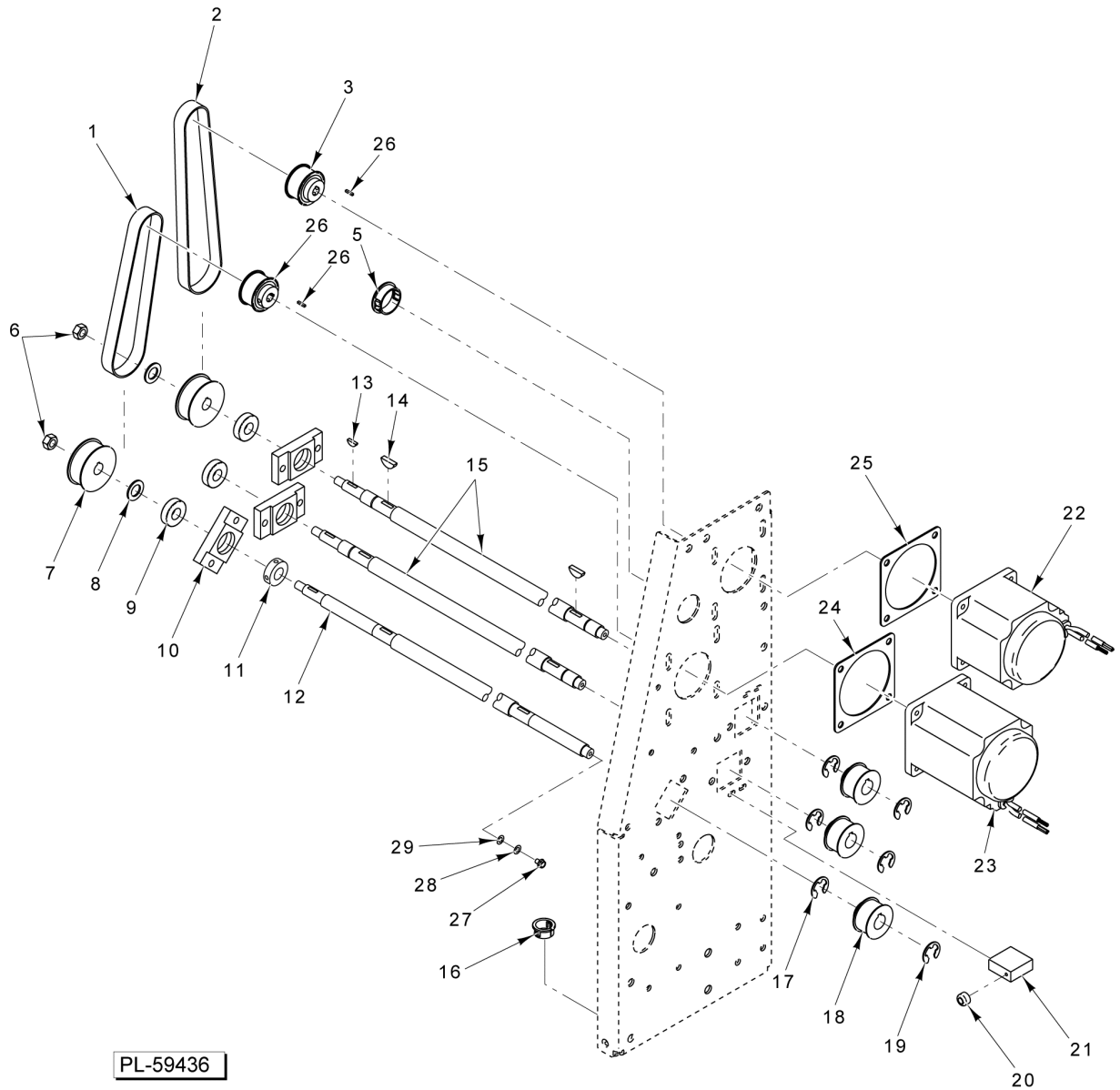


PL-59435

**PUSHER**

**PUSHER**

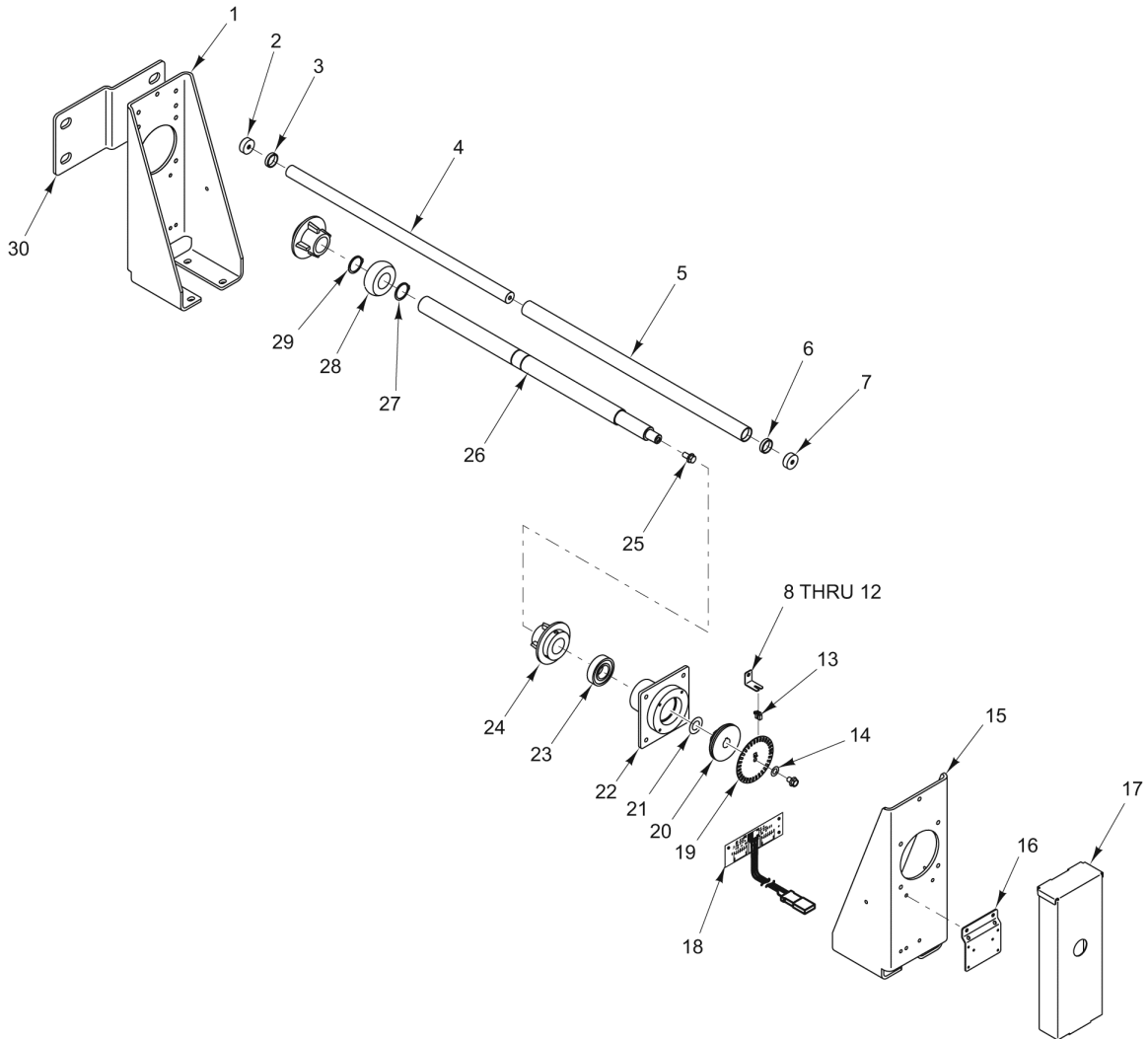
ILLUS.	PART NO.	NAME OF PART	AMT.
	<b>PL-59435</b>		
1	SC-129-49	Mach. Screw 1/4-20 x 1/2 Hex Washer Hd. (SST).....	4
2	00-444844	Plate.....	2
3	00-443975	Pad - Pusher.....	2
4	SC-125-07	Cap Screw 1/4-20 x 1-1/4 Hex Socket Hd. (SST).....	1
5	00-443926	Clip.....	2
6	00-445183	Block - Belt Mounting.....	2
7	00-443917	Block - Magnet.....	2
8	00-446762	Block Assy. - Gripper & Pusher.....	1
9	00-443938	Magnet.....	1
10	00-443929	Retainer - Belt.....	1
11	00-444083	Clip - Belt Retainer.....	1
12	00-444079	Block - Slide.....	1
13	00-443742	Bumper.....	1
14	NS-049-06	Lock Nut 1/4-20 (SST).....	1
15	00-445417	Mount - Stop.....	1
16	SC-127-91	Mach. Screw 1/4-20 x 5/8 Phil. Flat Hd. (SST).....	2
17	00-445418	Roller Mount (End).....	1
18	SC-119-14	Mach. Screw 8-32 x 1/4 Phil. Flat Hd. (SST).....	4
19	00-445419	Roller Mount (Center).....	1
20	SC-119-14	Mach. Screw 8-32 x 1/4 Phil. Flat Hd. (SST).....	1
21	00-445416	Roller - Underfolder.....	3
22	00-444927	Roller - Underfolder.....	1
23	00-445419	Roller Mount (Center).....	1
24	SC-119-14	Mach. Screw 8-32 x 1/4 Phil. Flat Hd. (SST).....	1
25	00-445418	Roller Mount (End).....	1
26	SC-119-14	Mach. Screw 8-32 x 1/4 Phil. Flat Hd. (SST).....	4
27	SC-127-91	Mach. Screw 1/4-20 x 5/8 Phil. Flat Hd. (SST).....	2
28	00-445415	Underfolder - Rear.....	1
29	00-443742	Bumper.....	1
30	NS-049-06	Lock Nut 1/4-20 (SST).....	1
31	00-445417	Mount - Stop.....	1
32	00-443742	Bumper.....	1
33	00-443974	Block - Stop.....	2
34	00-444839	Pusher.....	1
35	NS-049-06	Lock Nut 1/4-20 (SST).....	4
36	SC-110-98	Cap Screw 1/4-20 x 3/4 Hex Socket Hd. (SST).....	1
37	00-444082	Block - Clamp.....	1
38	00-446760	Block Assy. - Rear Underfolder.....	1
39	00-443938	Magnet.....	1
	00-445414	Underfolder Assy.....	1
	00-446014	Motor - Brushless (220 W.) (120 In. Motor Lead).....	1
	00-443860	Pulley (16T).....	1



### UPPER PUSHER & FRONT FOLDER MOTORS

## UPPER PUSHER &amp; FRONT FOLDER MOTORS

ILLUS.	PART NO.	NAME OF PART	AMT.
PL-59436			
1	00-445634	Belt (85T) (Front Folder Drive).....	1
2	00-446219	Belt - Pusher (500mm) (Upper Pusher Drive).....	1
3	00-443860	Pulley (16T).....	1
4	00-443863	Pulley (22T).....	1
5	FE-026-29	Bushing - Electrical Snap.....	1
6	NS-038-10	Lock Nut 3/8-16 Hex.....	2
7	00-443870	Pulley (30T).....	2
8	WS-008-48	Washer (SST).....	3
9	00-444077	Bearing - Sealed.....	3
10	00-444084	Block - Bearing.....	3
11	00-446082	Collar.....	1
12	00-446075	Shaft (Front Underfolder).....	1
13	KW-003-04	Key 1/8 x 1/2.....	3
14	KW-004-05	Key - Woodruff 3/16 x 3/4 (SST).....	6
15	00-446074	Shaft - Pusher/Rear Underfolder.....	2
16	FE-016-24	Bushing - Electrical Split.....	1
17	RR-012-04	Retaining Ring.....	3
18	00-443865	Pulley (22T).....	3
19	RR-012-04	Retaining Ring.....	3
20	00-444076	Bumper.....	1
21	00-444450	Block - Stop.....	1
22	00-446014	Motor - Brushless (220 W.) (120 In. Motor Lead) (Upper Pusher).....	1
23	00-446408	Motor - Brushless (440 W.) (Front Underfolder) (120 In. Motor Lead).....	1
24	00-443963	Spacer - Motor Mounting.....	1
25	00-443963	Spacer - Motor Mounting.....	1
26	KW-003-23	Key - Woodruff 3/32 x 5/8.....	2
27	SC-129-49	Mach. Screw 1/4-20 x 1/2 Hex Washer Hd. (SST).....	1
28	WS-029-40	Washer (SST).....	1
29	WS-022-02	Washer (SST).....	1

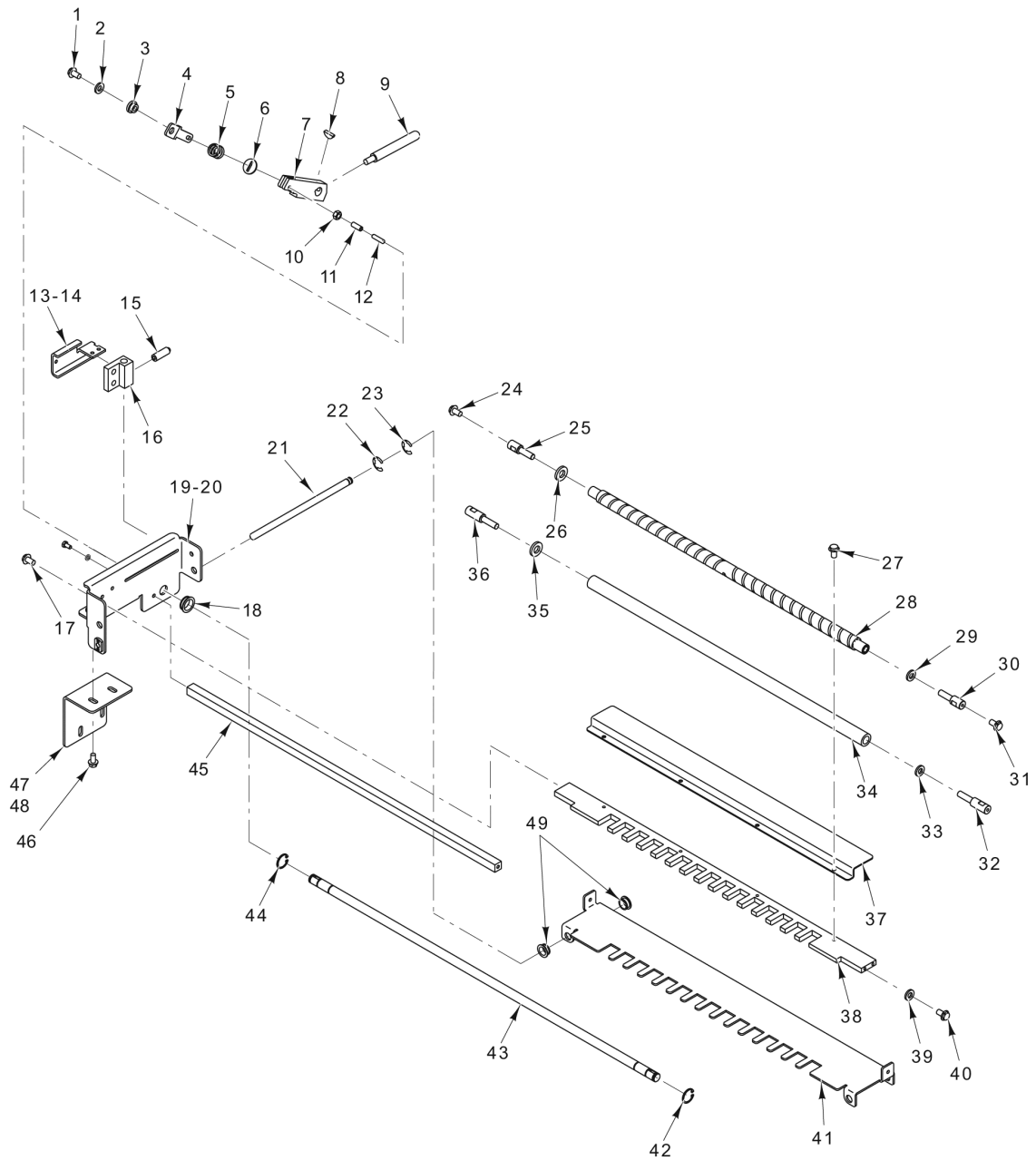


PL-59449

### FILM SUPPLY ARBOR

## FILM SUPPLY ARBOR

ILLUS. PL-59449	PART NO.	NAME OF PART	AMT.
1	00-446482	Bracket - Film Roll.....	1
2	00-444156	End Cap - Idler Roller.....	1
3	00-444150	Bearing - Film Supply.....	1
4	00-444149	Shaft - Idler Roller.....	1
5	00-444145	Roller - Idler.....	1
6	00-444150	Bearing - Film Supply.....	1
7	00-444156	End Cap - Idler Roller.....	1
8	00-445505	Bracket - Film Sensor.....	1
9	SC-125-30	Mach. Screw 4-40 x 3/8 Phil. Pan Hd. (SST).....	1
10	WL-013-02	Lockwasher #4 Internal Shakeproof (SST).....	1
11	WS-031-61	Washer (SST).....	1
12	NS-011-01	Nut 4-40 Hex (SST).....	1
13	00-443223	Sensor Assy. - Film Detect.....	2
14	WS-018-40	Washer (SST).....	1
15	00-446482	Bracket - Film Roll.....	1
16	00-446212	Bracket - Board Mounting.....	1
17	00-446486	Cover - Brake.....	1
18	00-442308	Board Assy. - Film Sensor Interface.....	1
19	00-444153	Disc - Sensor.....	1
20	00-444146	Brake Assy.....	1
21	00-444986-00003	Shim - Brake.....	1
22	00-444147	Housing - Bearing.....	1
23	00-444144	Bearing - Film Supply.....	2
24	00-446875	Collar.....	2
	00-518938	Key (T-Handle 5/32).....	1
25	SC-129-72	Cap Screw 3/8-16 x 3/4 Hex Washer Hd. (SST).....	1
26	00-445978	Shaft - Film.....	1
27	RR-012-44	Retaining Ring.....	1
28	00-445980	Collar.....	2
29	RR-012-44	Retaining Ring.....	1
30	00-446483	Brace.....	1

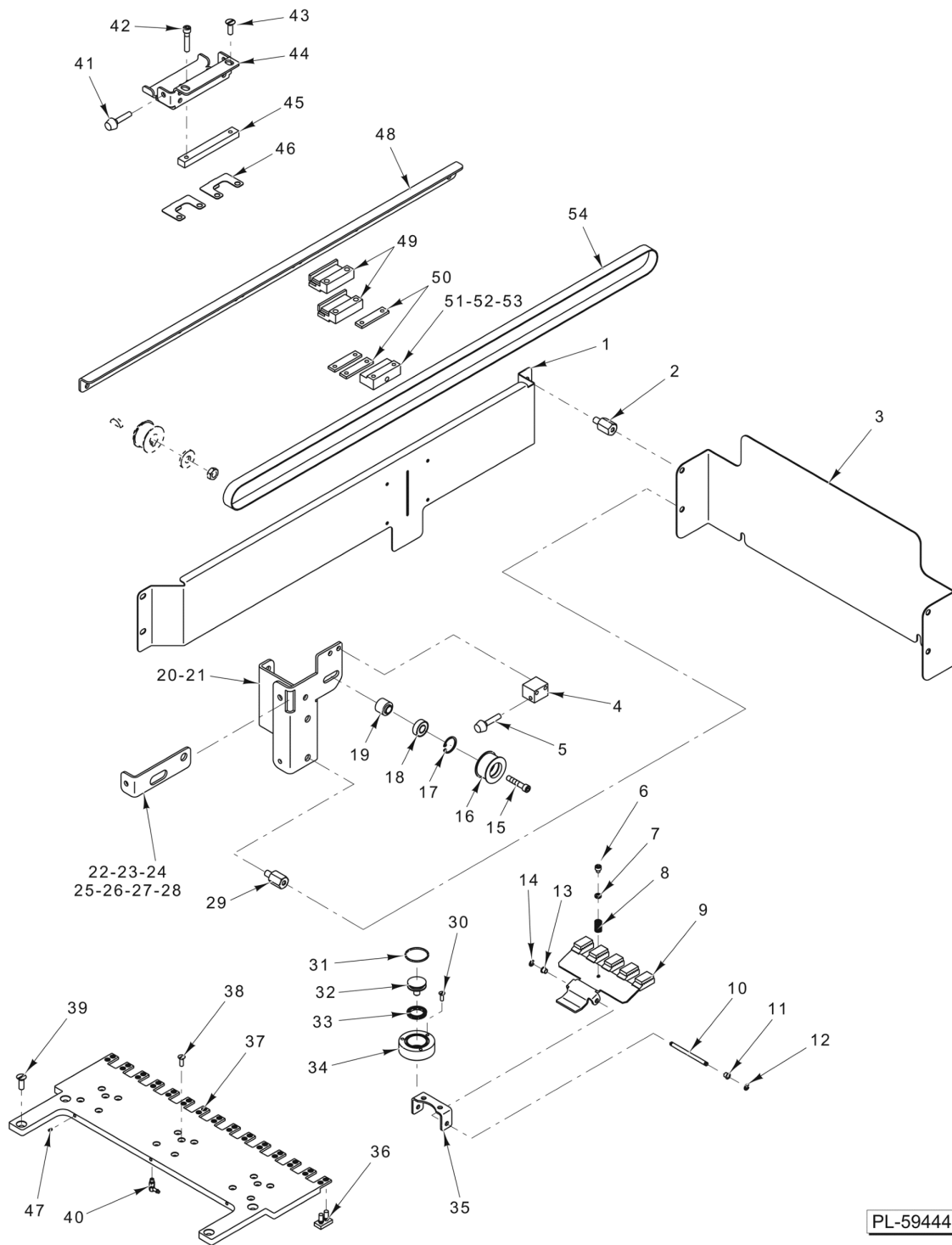


PL-59448

**FILM SELECTOR**

## FILM SELECTOR

ILLUS.	PART NO.	NAME OF PART	AMT.
	<b>PL-59448</b>		
1	SC-067-13	Mach. Screw 10-32 x 1/2 Slotted Hex Hd. (SST).....	1
2	WL-006-07	Lockwasher #10 Helical (SST).....	1
3	00-444271	Bushing.....	1
4	00-444272	Link - Latch.....	1
5	00-444273	Spring - Latch.....	1
6	00-444270	Washer.....	1
7	00-444259	Link - Latch.....	1
8	KW-003-04	Key 1/8 x 1/2.....	2
9	00-444261	Handle.....	1
10	NS-018-10	Jam Nut 5/16-24 Hex (SST).....	1
11	RP-006-04	Pin - Roll (0.187).....	1
12	RP-006-41	Pin - Roll.....	1
13	00-446209	Slide (LH).....	1
14	00-446208	Slide (RH).....	1
15	SC-129-53	Set Screw 1/4-20 x 3/4 Hex Hdls., Dog Pt. (SST).....	4
16	00-445127	Block - Roller Adjust.....	4
17	SC-100-08	Mach. Screw 1/4-20 x 3/8 Hex Washer Hd.....	2
18	00-043411	Bearing (Nyliner).....	1
19	00-446205	Bracket - Support (LH).....	1
20	00-446204	Bracket - Support (RH).....	1
21	00-444257	Shaft - Slide.....	2
22	RR-009-10	Retaining Ring 3/8 In. (SST).....	2
23	RR-009-10	Retaining Ring 3/8 In. (SST).....	2
24	SC-116-32	Cap Screw 10-32 x 3/8 Hex Hd. (SST).....	1
25	00-444267	Stud - Film Roller (Rear).....	1
26	00-444264	Washer.....	1
27	SC-116-32	Cap Screw 10-32 x 3/8 Hex Hd. (SST).....	4
28	00-445278	Roller Assy. (Rubber).....	1
29	00-444264	Washer.....	1
30	00-444267	Stud - Film Roller (Rear).....	1
31	SC-116-32	Cap Screw 10-32 x 3/8 Hex Hd. (SST).....	1
32	00-444268	Stud - Film Roller (Front).....	1
33	00-444264	Washer.....	1
34	00-444263	Roller Assy. - Film Selector.....	1
35	00-444264	Washer.....	1
36	00-444268	Stud - Film Roller (Front).....	1
37	00-445491	Separator - Film.....	1
38	00-444253	Guide - Film.....	1
39	WL-006-07	Lockwasher #10 Helical (SST).....	2
40	SC-067-13	Mach. Screw 10-32 x 1/2 Slotted Hex Hd. (SST).....	2
41	00-444269	Guide - Lower.....	1
42	RR-010-12	Retaining Ring.....	3
43	00-444258	Shaft - Latch.....	1
44	RR-010-12	Retaining Ring.....	3
45	00-446203	Spacer - Film Changer.....	1
46	SC-129-49	Mach. Screw 1/4-20 x 1/2 Hex Washer Hd. (SST).....	2
47	00-446206	Bracket - Support (RH).....	1
48	00-446207	Bracket - Support (LH).....	1
49	00-041488	Bearing (Nyliner).....	4

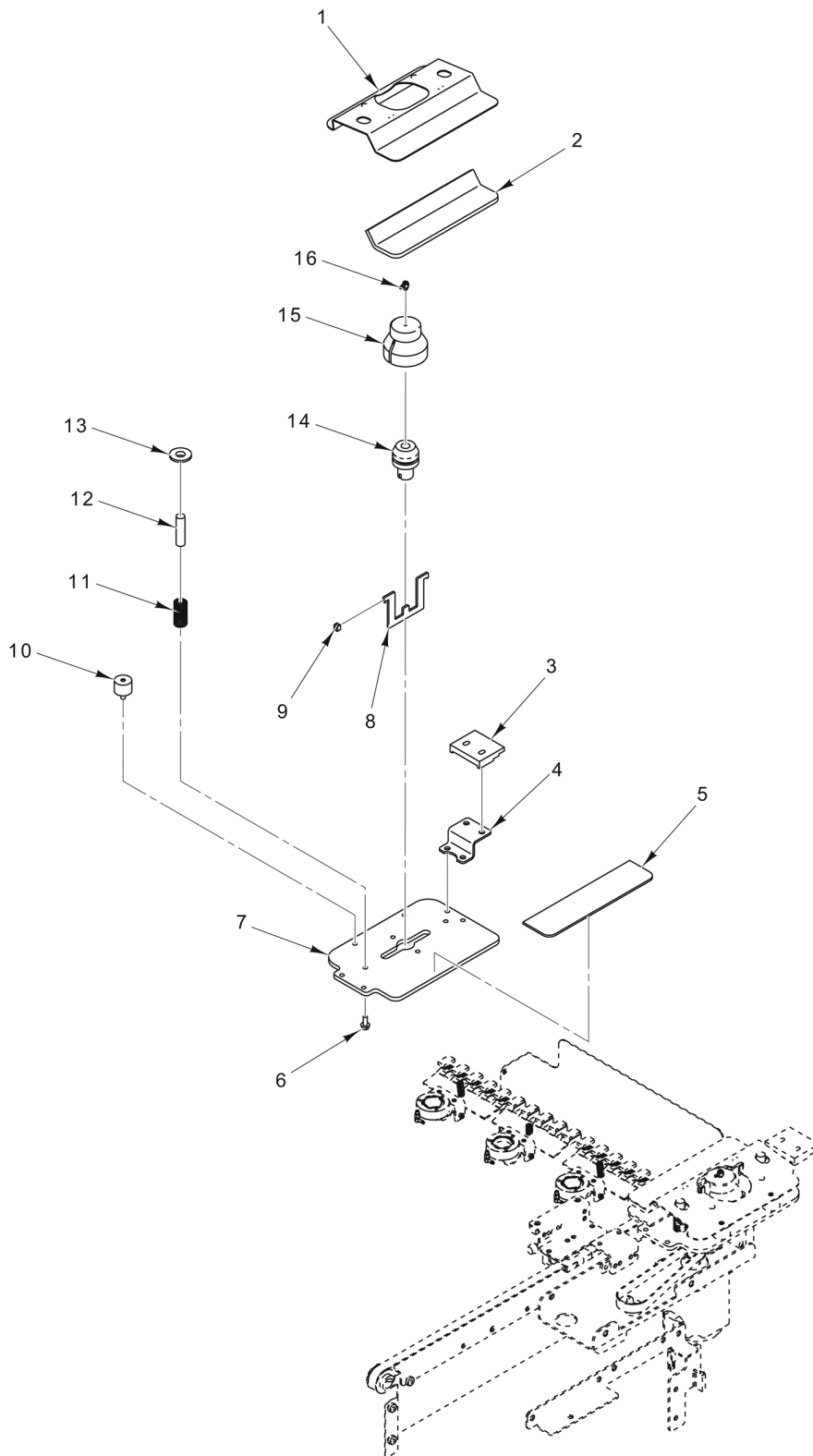


PL-59444

**GRIPPER**

## GRIPPER

ILLUS.	PART NO.	NAME OF PART	AMT.
	PL-59444		
1	00-443815	Shield (LH).....	1
2	00-444356	Stud - Guide.....	2
3	00-446742	Stop - Package.....	1
4	00-444369	Block - Bumper.....	2
5	00-443742	Bumper.....	2
6	SC-129-48	Cap Screw 10-32 x 3/16 Hex Socket Hd. (SST).....	1
7	WL-006-07	Lockwasher #10 Helical (SST).....	1
8	00-444985	Spring - Gripper Opening.....	1
9	00-445863	Plate Assy. (Lower).....	3
10	00-443914	Shaft - Gripper Pivot.....	1
11	00-183765	Bearing - Nylon.....	1
12	RR-012-29	Retaining Ring.....	1
13	00-183765	Bearing - Nylon.....	1
14	RR-012-29	Retaining Ring.....	1
15	SC-059-39	Cap Screw 3/8-16 x 1-1/2 Hex Washer Hd. (SST).....	1
16	00-443866	Pulley - Idler (Incls. Items 17 & 18).....	2
17	RR-012-32	Retaining Ring.....	2
18	00-443943	Bearing - Ball.....	2
19	00-444366	Spacer - Idler.....	2
20	00-446171	Bracket - Rail Support (RH).....	1
21	00-446170	Bracket - Rail Support (LH).....	1
22	00-445326	Spring - Weigher Belt.....	2
23	SC-131-25	Cap Screw 1/4-20 x 3-1/2 Hex Hd. (SST).....	2
24	00-446133	Bracket Assy. (LH).....	1
25	00-446134	Bracket Assy. (RH).....	1
26	00-258300-00004	Standoff.....	1
27	SC-119-51	Mach. Screw 6-32 x 1 Slotted Pan Hd. (SST).....	1
28	NS-009-07	Nut 6-32 Hex.....	1
29	00-444356	Stud - Guide.....	2
30	SC-114-97	Mach. Screw 10-24 x 3/4 Slotted Flat Hd.....	2
31	00-441580-00004	O-Ring.....	1
32	00-443921	Piston.....	1
33	00-443922	Seal - Piston.....	1
34	00-445021	Cylinder.....	1
35	00-443924	Bracket - Pivot.....	1
36	00-043452	Pad - Gripper (Gray) (Set of 15).....	1
37	00-443923	Plate - Gripper.....	1
38	SC-129-80	Mach. Screw 10-24 x 3/4 Phil. Flat Hd. (SST).....	15
39	SC-022-33	Mach. Screw 1/4-20 x 3/4 Slotted Flat Hd. (SST).....	4
40	00-443913	Fitting - Elbow.....	3
41	00-443742	Bumper.....	1
42	SC-125-07	Cap Screw 1/4-20 x 1-1/4 Hex Socket Hd. (SST).....	2
43	SC-022-40	Mach. Screw 1/4-20 x 3/4 Phil. Flat Hd. (SST).....	2
44	00-445930	Bracket - Gripper Slide.....	1
45	00-444049	Plate - Nut.....	1
46	00-443926	Clip.....	2
47	SC-046-07	Set Screw 8-32 x 1/4 Slotted Hdls., Cup Pt.....	3
48	00-444364	Rail - Gripper.....	1
49	00-446831	Block - Belt Mounting.....	4
50	00-443930	Plate - Nut.....	3
51	00-446762	Block Assy. - Gripper & Pusher (Incls. Items 52 & 53).....	1
52	00-443917	Block - Magnet.....	1
53	00-443938	Magnet.....	1
54	00-446072-00004	Belt - Pusher (Cut to Length, 277T = 54 1/2 In.) (Gripper).....	1
	00-913102-00162	Kit - Bracket Rail (LH) (Incls. Items 22, 23, 24, 26, 27, & 28).....	1
	00-913102-00167	Kit - Bracket Rail (RH) (Incls. Items 22, 23, & 25 thru 28).....	1
	SC-123-92	Mach. Screw 1/4-20 x 5/8 Hex Washer Hd.....	2

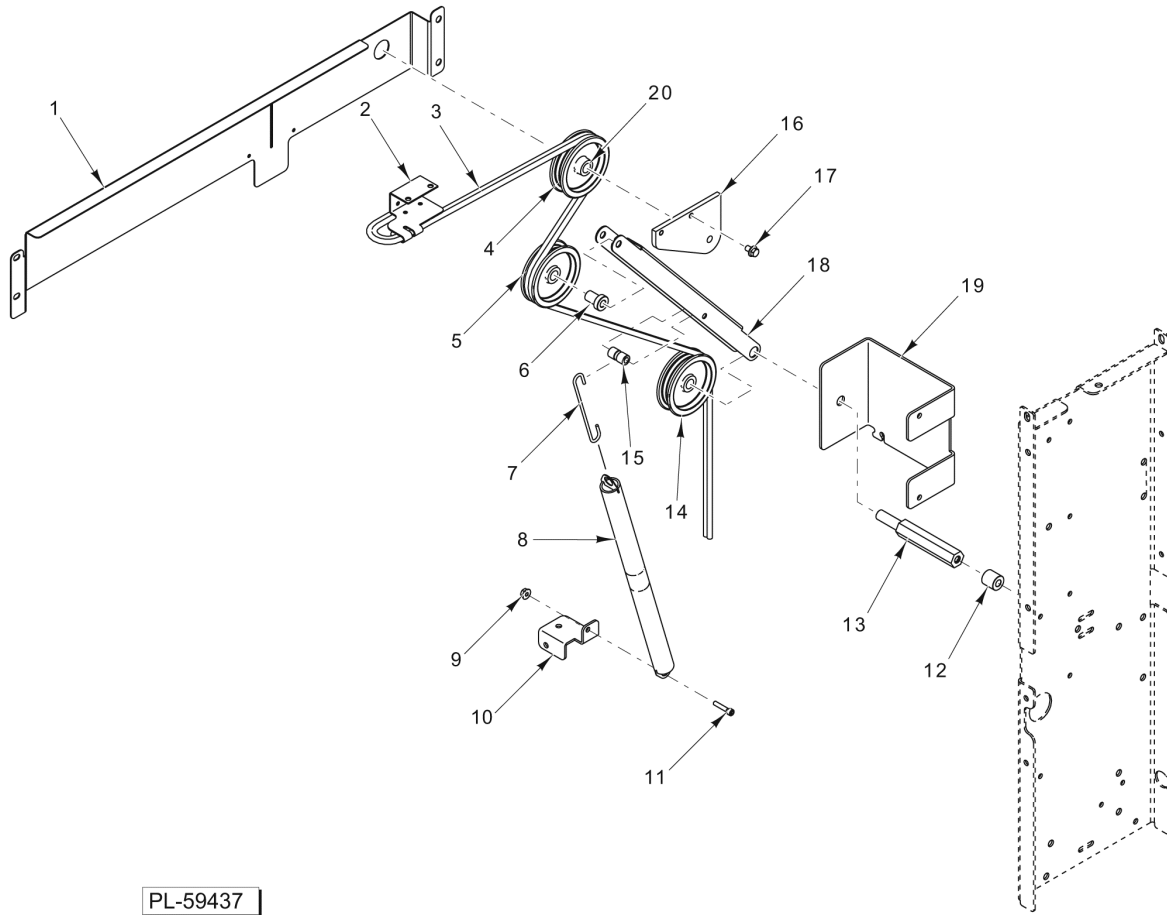


PL-59445

**SIDE CLAMPS**

**SIDE CLAMPS**

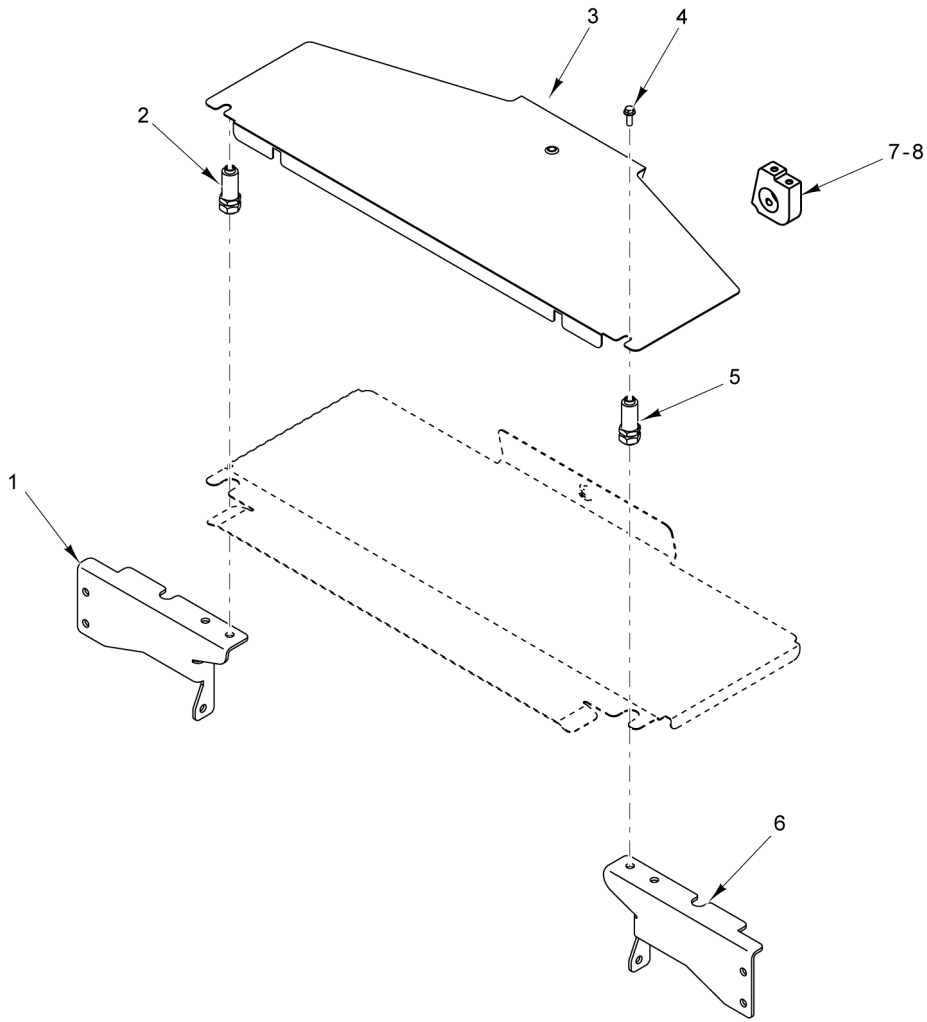
<b>ILLUS.</b>	<b>PART NO.</b>	<b>NAME OF PART</b>	<b>AMT.</b>
1	00-444037	Clamp - Upper.....	2
2	00-447243	Pad - Clamp Upper.....	2
3	00-444046	Block - Clamp Slide.....	2
4	00-444045	Bracket - Slide Mounting.....	2
5	00-444003	Pad - Clamp Lower.....	2
6	SC-100-08	Mach. Screw 1/4-20 x 3/8 Hex Washer Hd.....	1
7	00-444026	Plate - Side Clamp.....	2
8	00-444009	Yoke.....	2
9	00-444039	Guide.....	2
10	00-444038	Mount - Hinge.....	2
11	00-444033	Spring - Clamp Return.....	2
12	00-444011	Stud.....	2
13	00-444010	Bushing.....	2
14	00-447234	Piston & Seal Assy.....	1
15	00-444007	Cylinder.....	2
16	00-444652	Fitting - Elbow 10-32 Adjustable.....	2



**SPRING ASSEMBLY**

**SPRING ASSEMBLY**

ILLUS.	PART NO.	NAME OF PART	AMT.
PL-59437			
1	00-445056	Shield - Right.....	1
2	00-444959	Bracket - Gripper Hose.....	1
3	00-445055	Tubing - Gripper.....	1
4	00-444904	Pulley - Gripper Hose.....	1
5	00-444904	Pulley - Gripper Hose.....	1
6	00-444902	Bushing - Gripper Pulley.....	1
7	00-445042	Hook - Spring.....	1
8	00-049043	Spring Assy. - Pulldown.....	1
9	NS-049-06	Lock Nut 1/4-20 (SST).....	2
10	00-444901	Bracket - Gripper Spring.....	1
11	SC-041-03	Cap Screw 1/4-20 x 1-1/8 Hex Hd. (SST).....	1
12	00-444899	Spacer - Short Gripper Pulley.....	1
13	00-444898	Spacer - Gripper Pulley.....	1
14	00-444904	Pulley - Gripper Hose.....	1
15	00-444905	Spacer - Torsion Spring.....	1
16	00-444897	Plate - Pulley.....	1
17	SC-100-08	Mach. Screw 1/4-20 x 3/8 Hex Washer Hd.....	1
18	00-444895	Gripper Arm - Hose Take Up.....	1
19	00-444896	Bracket - Pivot Arm.....	1
20	00-445041	Bushing.....	1

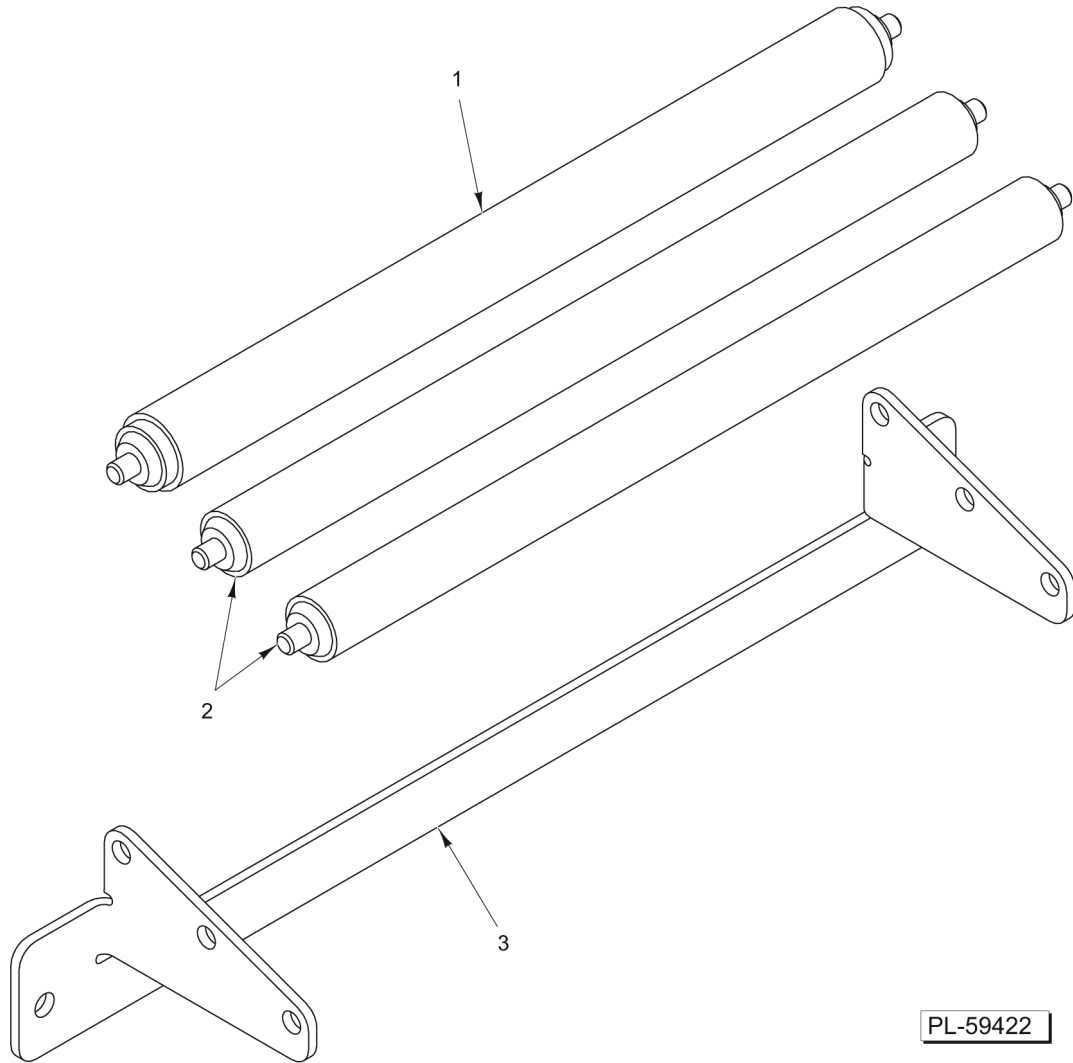


PL-59424

**SEALER BELT SUPPORT**

**SEALER BELT SUPPORT**

ILLUS. PL-59424	PART NO.	NAME OF PART	AMT.
1	00-445343	Bracket - Sealer (LH).....	1
2	00-446310	Mount - Sealer Belt.....	1
3	00-446211	Cover - Belt.....	1
4	SC-129-49	Mach. Screw 1/4-20 x 1/2 Hex Washer Hd. (SST).....	2
5	00-446310	Mount - Sealer Belt.....	1
6	00-445342	Bracket - Sealer (RH).....	1
7	00-446043	Collar.....	1
8	SC-066-22	Mach. Screw 10-32 x 3/8 Phil. Truss Hd. (SST).....	2

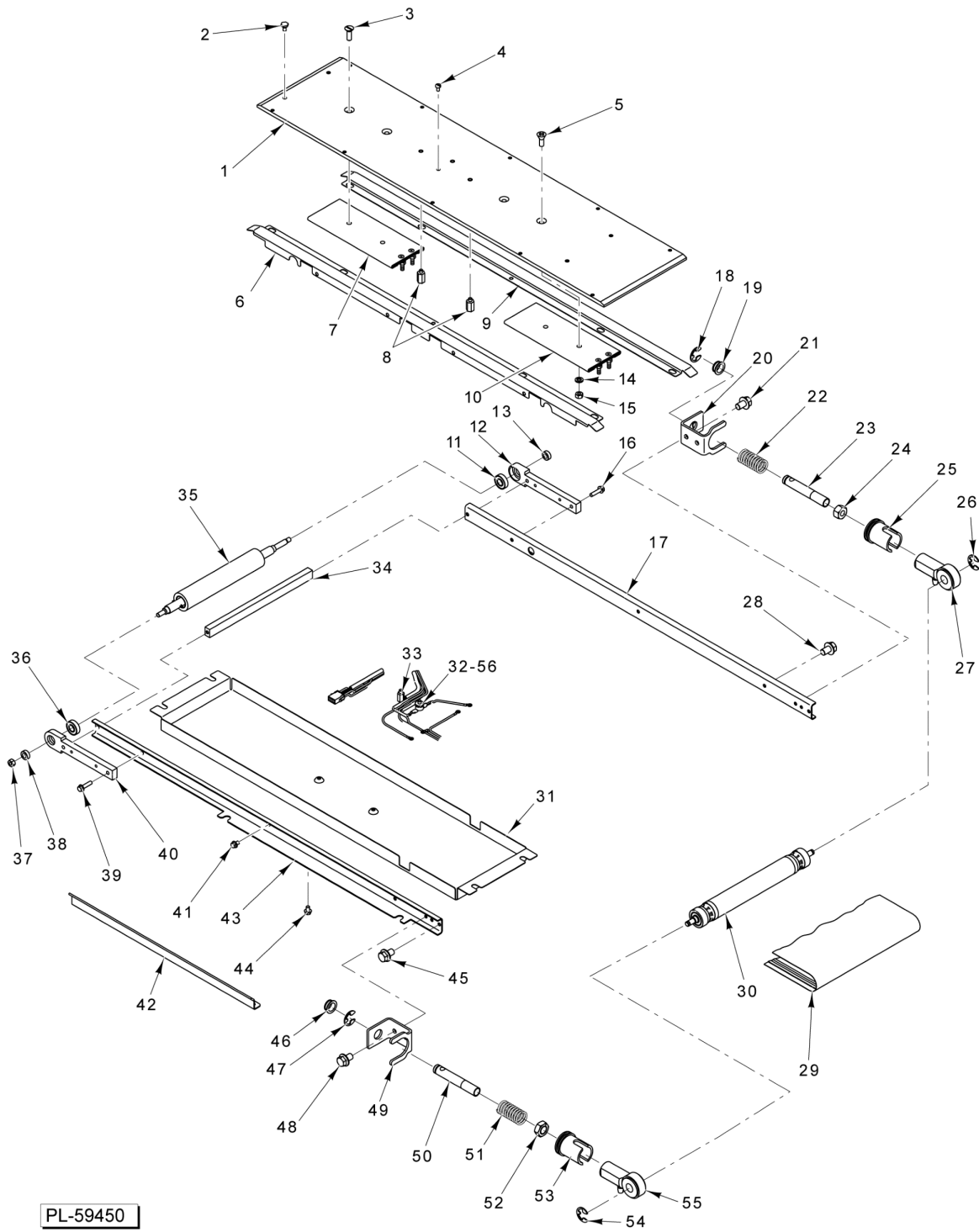


PL-59422

**DISCHARGE ROLLER ASSEMBLY**

**DISCHARGE ROLLER ASSEMBLY**

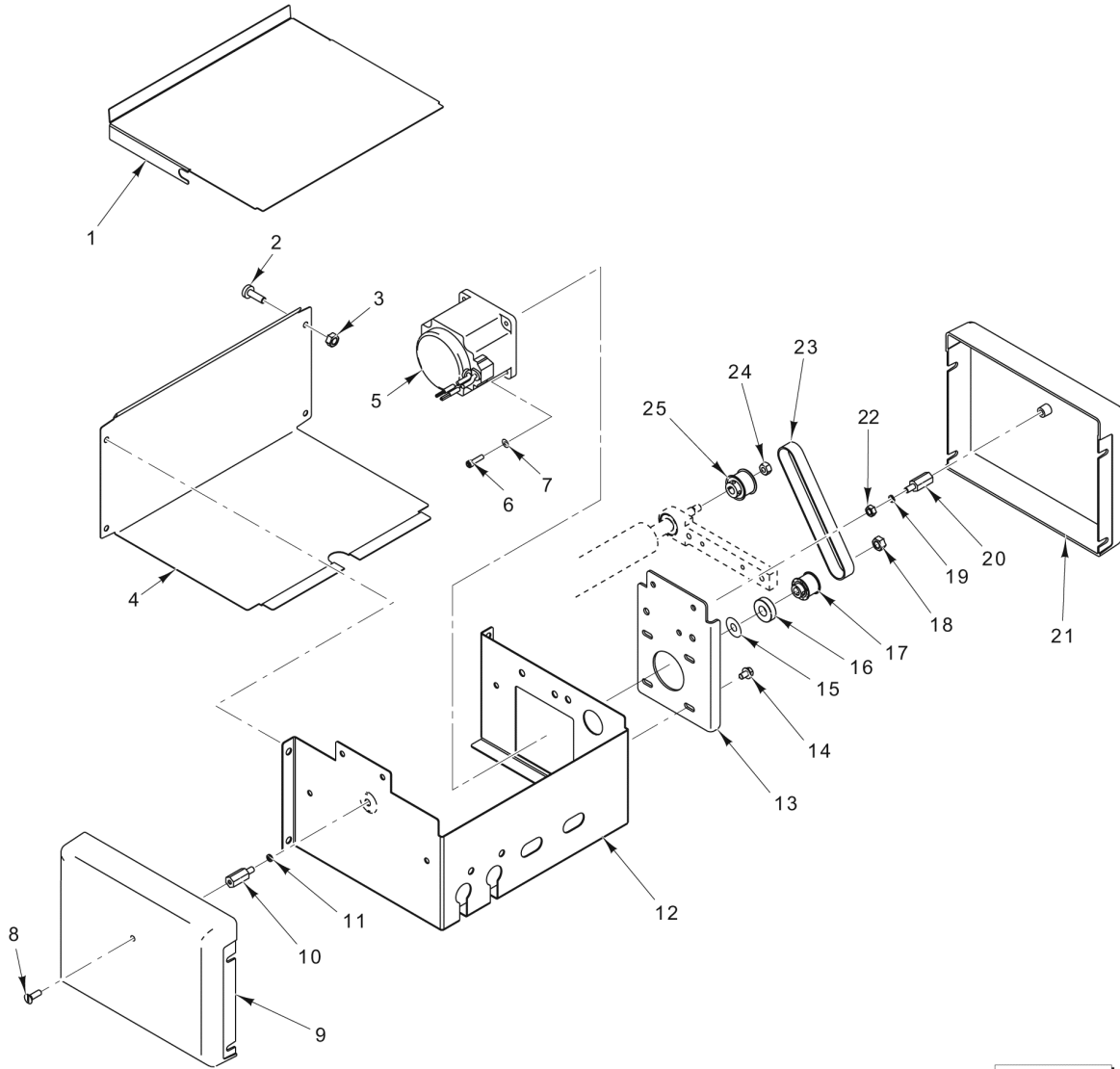
ILLUS. PL-59422	PART NO.	NAME OF PART	AMT.
1	00-444790	Spring Roller Assy. (With Cover).....	1
2	00-445040	Roller Assy.....	2
3	00-447238	Bracket - Discharge Rollers.....	1



**BELT SEALER**

**BELT SEALER**

ILLUS.	PART NO.	NAME OF PART	AMT.
	<b>PL-59450</b>		
1	00-446221	Plate - Heater.....	1
2	00-444177	Spacer.....	1
3	SC-029-47	Mach. Screw 5/16-18 x 1 Slotted Flat Hd. (Brass).....	1
4	00-444177	Spacer.....	1
5	SC-112-03	Mach. Screw 10-24 x 1/2 Pan Hd.....	1
6	00-446222	Bracket - Side.....	1
7	00-087017	Element - Bottom Plate (700 W.).....	1
8	00-446253	Standoff - Sealer Belt.....	2
9	00-446222	Bracket - Side.....	1
10	00-087017	Element - Bottom Plate (700 W.).....	1
11	00-086780	Ball Bearing.....	1
12	00-444180	Block - Bearing.....	1
13	00-444182	Spacer - Bearing.....	1
14	WL-003-47	Lockwasher 5/16 Helical.....	1
15	NS-014-11	Nut 5/16-18 Hex (Brass).....	1
16	SC-123-93	Mach. Screw 1/4-20 x 1 Hex Washer Hd.....	1
17	00-446223-00001	Rail Assy. (Left).....	1
18	RR-009-10	Retaining Ring 3/8 In. (SST).....	1
19	00-041488	Bearing (Nyliner).....	1
20	00-444184	Bracket - Spring Retainer.....	1
21	SC-053-05	Mach. Screw 10-24 x 3/8 Slotted Truss Hd. (SST).....	1
22	00-444174	Spring - Sealer Belt.....	1
23	00-444186	Shaft - Sealer.....	1
24	NS-017-20	Jam Nut 3/8-24 Hex.....	1
25	00-444189	Bushing - Rod End Bearing.....	1
26	RR-009-10	Retaining Ring 3/8 In. (SST).....	1
27	00-334055	Rod - End (Female).....	1
28	SC-100-08	Mach. Screw 1/4-20 x 3/8 Hex Washer Hd.....	1
29	00-444849	Belt - Sealer (Durasil).....	1
30	00-444194	Pulley Assy.....	1
31	00-446224	Pan - Sealer Belt.....	1
32	00-048514	Sensor - Thermal Hi-Limit.....	1
33	00-443350	Probe Assy. - Thermistor.....	1
34	00-444181	Bar - Cross.....	1
35	00-444191	Shaft - Pulley Drive.....	1
36	00-086780	Ball Bearing.....	1
37	NS-015-11	Nut 5/16-18 Hex (SST).....	1
38	00-444182	Spacer - Bearing.....	1
39	SC-100-08	Mach. Screw 1/4-20 x 3/8 Hex Washer Hd.....	1
40	00-444180	Block - Bearing.....	1
41	SC-100-08	Mach. Screw 1/4-20 x 3/8 Hex Washer Hd.....	1
42	00-444575	Support - Operator Cover.....	1
43	00-446223-00002	Rail Assy. (Right).....	1
44	SC-053-05	Mach. Screw 10-24 x 3/8 Slotted Truss Hd. (SST).....	1
45	SC-123-93	Mach. Screw 1/4-20 x 1 Hex Washer Hd.....	1
46	00-041488	Bearing (Nyliner).....	1
47	RR-009-10	Retaining Ring 3/8 In. (SST).....	1
48	SC-053-05	Mach. Screw 10-24 x 3/8 Slotted Truss Hd. (SST).....	1
49	00-444184	Bracket - Spring Retainer.....	1
50	00-444186	Shaft - Sealer.....	1
51	00-444174	Spring - Sealer Belt.....	1
52	NS-017-20	Jam Nut 3/8-24 Hex.....	1
53	00-444189	Bushing - Rod End Bearing.....	1
54	RR-009-10	Retaining Ring 3/8 In. (SST).....	1
55	00-334055	Rod - End (Female).....	1
56	00-446475	Cable Assy - Sealer Belt Harness (Extension).....	1

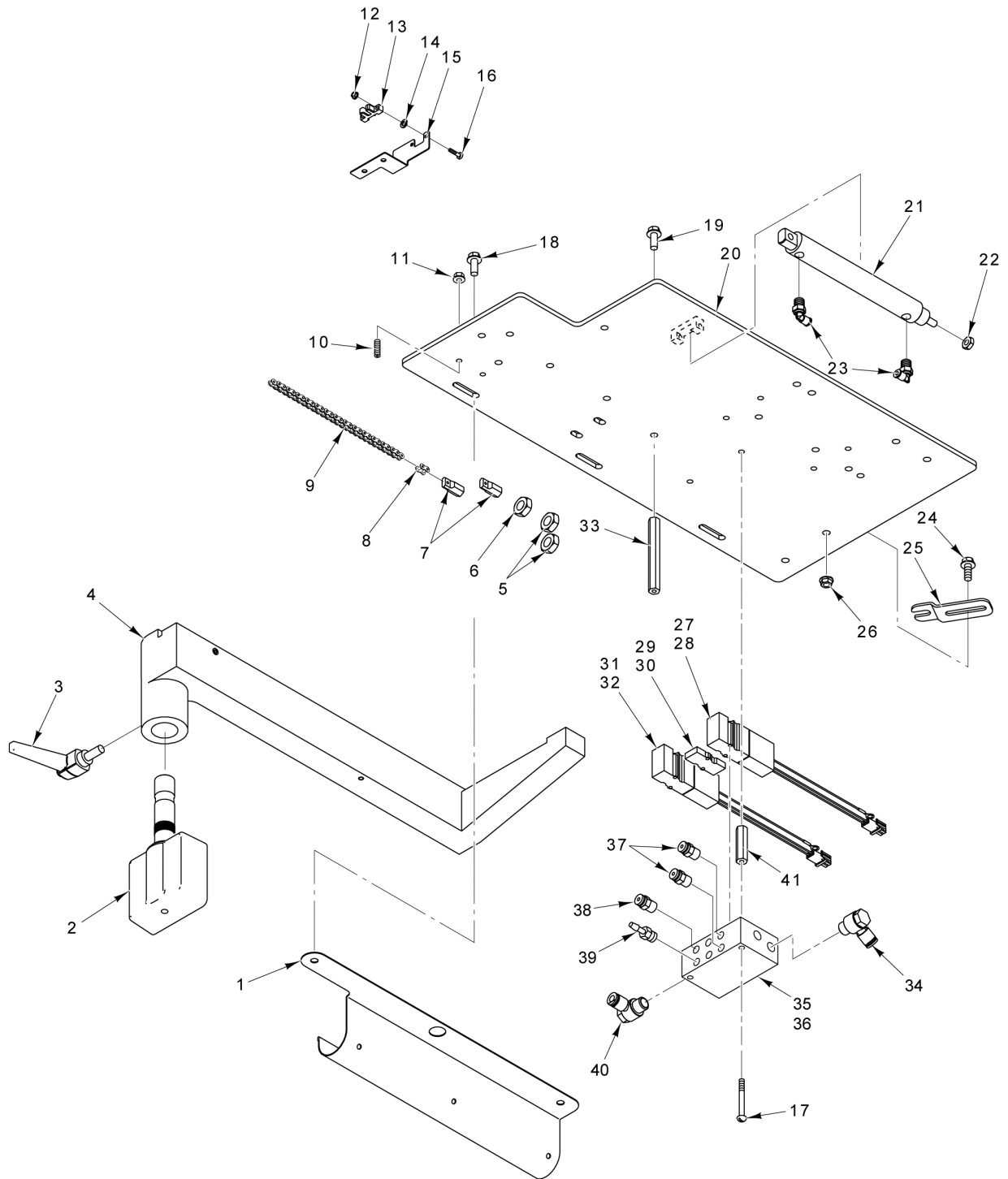


PL-59421

### BELT SEALER MOTOR

**BELT SEALER MOTOR**

ILLUS. PL-59421	PART NO.	NAME OF PART	AMT.
1	00-444803	Shield - Sealer Motor.....	1
2	SC-053-41	Mach. Screw 1/4-20 x 1/2 Slotted Truss Hd. (SST).....	4
3	00-047347-00009	Nut 1/4-20 Hex.....	1
4	00-444336	Cover - End (Feed).....	1
5	00-443220	Motor - Brushless (220 W.).....	1
6	SC-123-01	Cap Screw 10-24 x 3/4 Hex Socket Hd. (SST).....	4
7	WL-006-06	Lockwasher #10 Helical (SST).....	4
8	SC-093-27	Mach. Screw 10-24 x 7/8 Phil. Truss Hd. (SST).....	1
9	00-444335	Cover - Belt Sealer Motor.....	1
10	00-444449	Standoff - Sealer Cover.....	1
11	WL-006-07	Lockwasher #10 Helical (SST).....	1
12	00-444203	Cover - Motor.....	1
13	00-446165	Bracket - Motor.....	1
14	SC-100-08	Mach. Screw 1/4-20 x 3/8 Hex Washer Hd.....	4
15	WS-018-31	Washer (SST).....	1
16	00-444077	Bearing - Sealed.....	1
17	00-443862	Pulley (16T).....	1
18	NS-038-10	Lock Nut 3/8-16 Hex.....	1
19	WL-006-07	Lockwasher #10 Helical (SST).....	1
20	00-444449	Standoff - Sealer Cover.....	1
21	00-444335	Cover - Belt Sealer Motor.....	1
22	00-047347-00009	Nut 1/4-20 Hex.....	1
23	00-446218	Belt - Sealer (360mm).....	1
24	NS-015-11	Nut 5/16-18 Hex (SST).....	1
25	00-443862	Pulley (18T).....	1

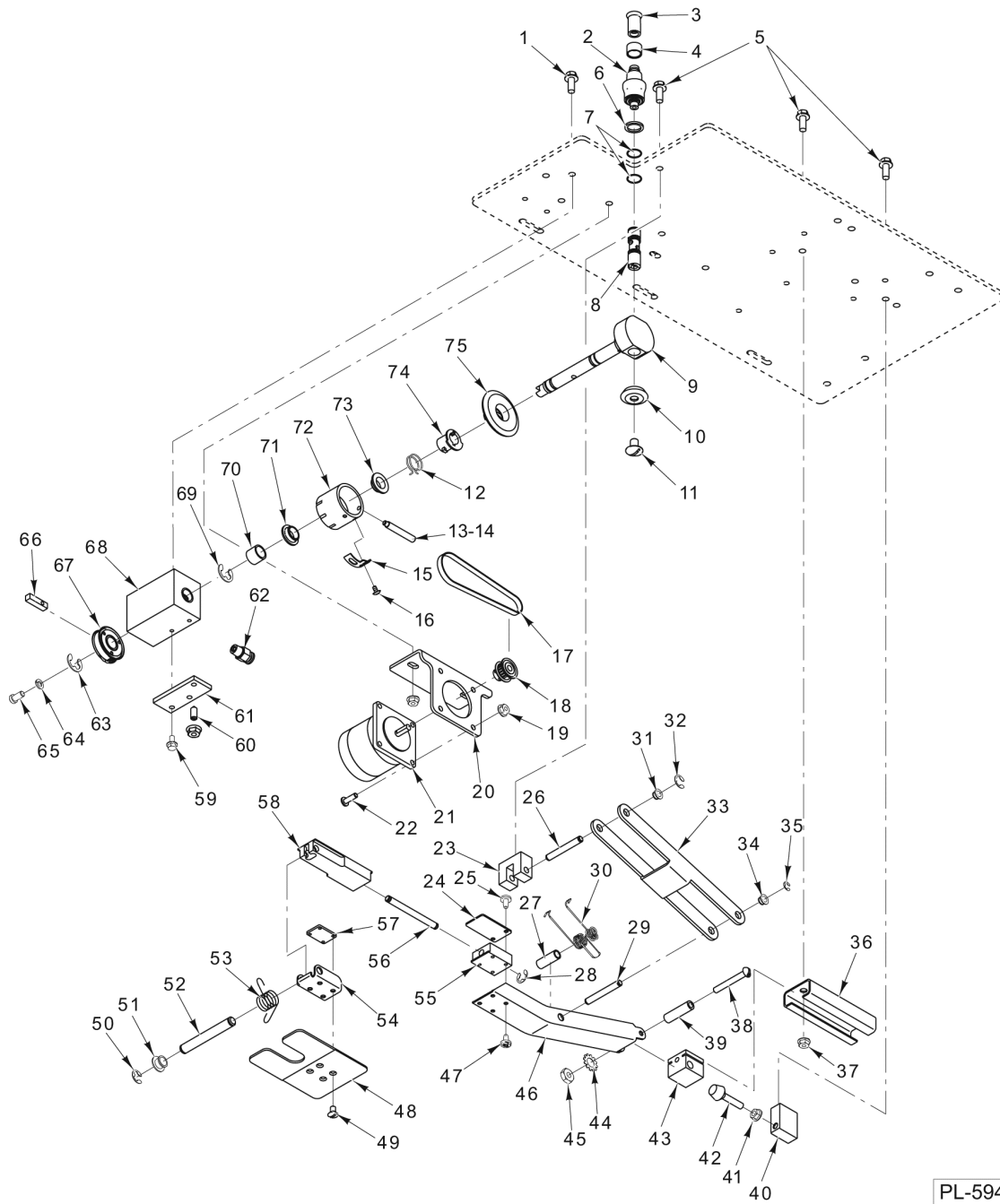


PL-59464

**LABEL APPLIER**

**LABEL APPLIER**

ILLUS.	PART NO.	NAME OF PART	AMT.
PL-59464			
1	00-444460	Tray - Cable Support.....	1
2	00-444326	Support Assy. - Pivot Display.....	1
3	00-442734	Knob - Console Mount.....	1
4	00-444321	Support - Printer.....	1
5	NS-046-30	Jam Nut 7/16-20 Hex (SST).....	2
6	NS-009-30	Nut 10-32 Hex.....	2
7	00-443010	Connector - Cylinder.....	2
8	00-444124	Chain - Connecting Link #25.....	2
9	00-444123	Chain #25 Single Strand.....	1
10	SC-049-03	Set Screw 1/4-20 x 1-1/4 Slotted Hdls., Oval Pt. (SST).....	2
11	NS-049-06	Lock Nut 1/4-20 (SST).....	2
12	NS-009-02	Nut 4-40 Hex.....	1
13	00-443326	Sensor Assy. Applier Home.....	1
14	WL-003-03	Lockwasher #4 Helical.....	2
15	00-443031	Bracket - Sensor.....	1
16	SC-113-10	Mach. Screw 4-40 x 3/8 Phil. Pan Hd.....	1
17	SC-098-06	Mach. Screw 10-24 x 1-3/4 Slotted Rd. Hd. (SST).....	2
18	SC-123-92	Mach. Screw 1/4-20 x 5/8 Hex Washer Hd.....	3
19	SC-100-04	Mach. Screw 10-24 x 3/8 Hex Washer Hd.....	2
20	00-443001	Plate - Printer Support.....	1
21	00-446029	Cylinder - Applier 0.75 x 3.5 In. Stroke.....	1
22	NS-017-60	Jam Nut 1/4-28 Hex.....	1
23	00-444121	Fitting - Elbow.....	2
24	SC-129-49	Mach. Screw 1/4-20 x 1/2 Hex Washer Hd. (SST).....	12
25	00-442995	Retainer - Foot.....	3
26	NS-049-06	Lock Nut 1/4-20 (SST).....	12
27	00-445759	Valve - MAC (6 In. Lead) (Before S/N 451088494).....	1
28	00-447301	Valve (Humphrey) (Starting S/N 451088494).....	1
29	00-446346	Plate - Valve Seal (Before S/N 451088494).....	1
30	00-447303	Plate - Valve Seal (Humphrey) (Starting S/N 451088494).....	1
31	00-445759	Valve - MAC (6 In. Lead) (Before S/N 451088494).....	1
32	00-447301	Valve (Humphrey) (Starting S/N 451088494).....	1
33	00-445159	Standoff.....	2
34	00-444052	Fitting - Tube (Banjo Elbow).....	1
35	00-444051	Manifold - Mac Valve (Before S/N 451088494).....	1
36	00-446798	Manifold - Valve (Humphrey) (Starting S/N 451088494).....	1
37	00-443017	Fitting - Tube Male Connector.....	4
38	00-444464	Fitting - Tube (Straight Male).....	1
39	00-445091	Fitting - Straight (1/8 In.) Barbed.....	1
40	00-444052	Fitting - Tube (Banjo Elbow).....	1
41	00-445158	Standoff.....	1



PL-59465

**LABEL APPLIER ARM WITH MOTOR**

## LABEL APPLIER ARM WITH MOTOR

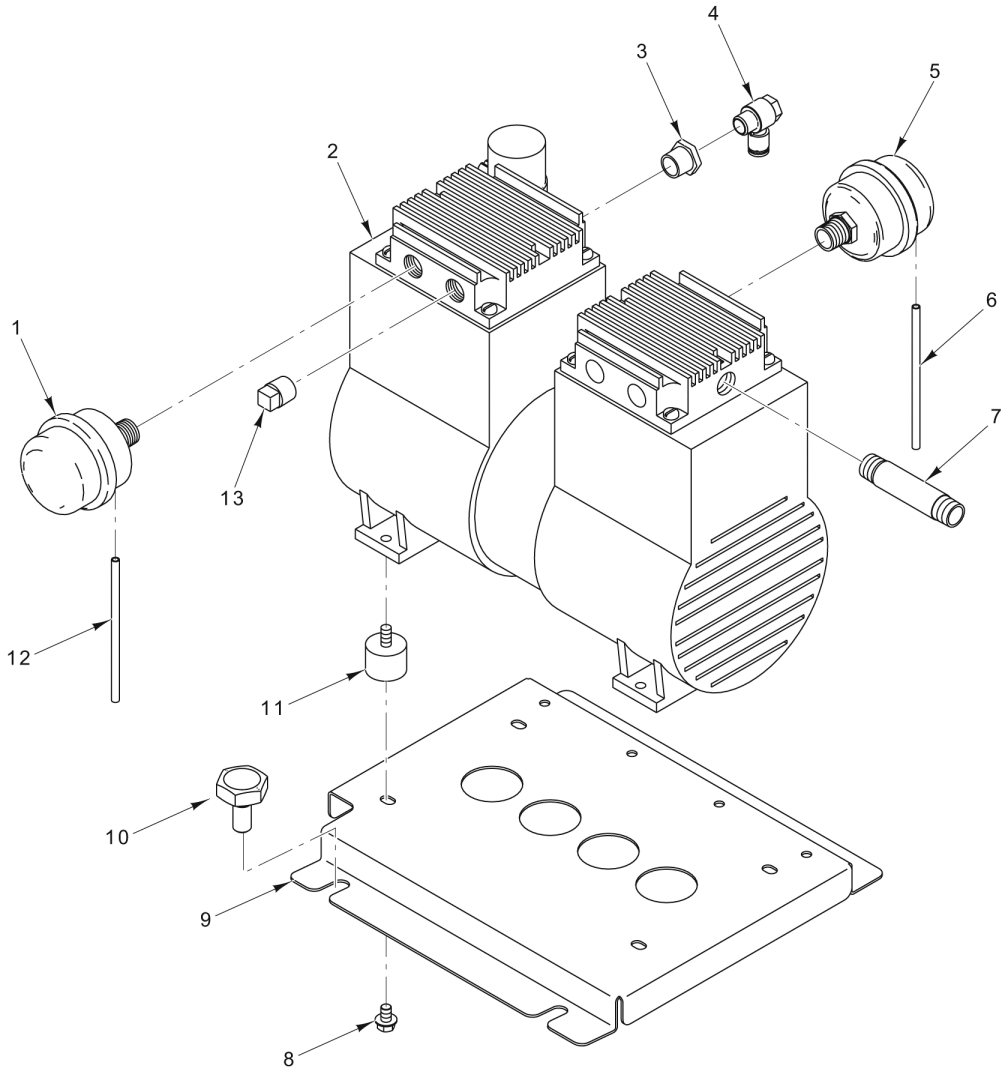
ILLUS. PL-59465	PART NO.	NAME OF PART	AMT.
1	SC-123-92	Mach. Screw 1/4-20 x 5/8 Hex Washer Hd.....	AR
2	00-441525	Wand Assy. - Pop Up (Incls. Item 6).....	1
3	00-443494	Cup - Short Wand.....	1
4	00-443583	Sleeve - Bearing.....	1
5	SC-100-04	Mach. Screw 10-24 x 3/8 Hex Washer Hd.....	AR
6	00-441526	Seal - Rear Housing.....	1
7	00-441580-00002	O-Ring.....	2
8	00-441496	Tube - Swing Assy.....	1
9	00-443041	Wand Shaft & Bearing Assy.....	1
10	00-041681	Pinion.....	1
11	SC-053-15	Mach. Screw 5/16-18 x 1/2 Slotted Truss Hd. (SST).....	1
12	00-443028	Spring - Torsion.....	1
13	00-446341	Handle - Detent Hub.....	1
14	00-520228	Adhesive (Loctite 242).....	AR
15	00-446342	Stop - Rotation.....	1
16	SC-066-01	Mach. Screw 6-32 x 1/4 Phil. Truss Hd. (SST).....	2
17	00-446288	Belt - Drive.....	1
18	00-446335	Pulley - Motor Belt.....	1
19	NS-038-02	Lock Nut 10-24.....	4
20	00-443011	Bracket - Motor.....	1
21	00-443368	Motor Assy.-Stepper L.A.....	1
22	SC-100-04	Mach. Screw 10-24 x 3/8 Hex Washer Hd.....	4
23	00-443002	Pivot - Applier.....	1
24	00-042120	Spring - Applier.....	1
25	SD-008-17	Self-Tapping Screw 6-20 x 3/8 Phil. Bndg. Hd., Type B.....	2
26	00-041850	Pin - Upper Pivot.....	1
27	00-444525	Spacer - Torsion Spring.....	1
28	RR-004-01	Retaining Ring.....	1
29	00-041850	Pin - Upper Pivot.....	1
30	00-447235	Spring - Applier.....	1
31	00-175560	Bushing - Nyliner.....	2
32	RR-004-01	Retaining Ring.....	1
33	00-446314	Link - Applier.....	2
34	00-175560	Bushing - Nyliner.....	2
35	RR-004-01	Retaining Ring.....	1
36	00-041845	Support - Slide.....	1
37	NS-049-06	Lock Nut 1/4-20 (SST).....	1
38	SC-081-44	Mach. Screw 10-32 x 1-1/2 Slotted Rd. Hd.....	1
39	00-041853	Spacer - Arm Pivot.....	1
40	00-443896	Block - Cylinder Stop.....	1
41	NS-038-02	Lock Nut 10-24.....	1
42	00-443742	Bumper.....	1
43	00-443004	Block - Slide.....	1
44	WL-007-12	Lockwasher #10 External Shakeproof.....	1
45	NS-009-30	Nut 10-32 Hex.....	1
46	00-042073	Arm - Label Applier.....	1
47	SD-008-17	Self-Tapping Screw 6-20 x 3/8 Phil. Bndg. Hd., Type B.....	1
48	00-443966	Applier - Label.....	1
49	SC-015-08	Mach. Screw 6-32 x 1/4 Slotted Oval Hd.....	4
50	RR-004-01	Retaining Ring.....	1
51	00-043253	Bushing - Nyliner.....	1
52	00-443007	Pin - Applier.....	1
53	00-443035	Spring - Torsion.....	1
54	00-443036	Support - Applier Pad.....	1
55	00-042076	Block - Pin.....	1

**LABEL APPLIER ARM WITH MOTOR**

ILLUS.	PART NO.	NAME OF PART	AMT.
PL-59465			
56	00-042114	Pin - Applier.....	1
57	00-444048	Plate - Nut.....	1
58	00-443006	Pivot Assy. - Applier Pad (Incls. Item 56).....	1
59	SC-100-04	Mach. Screw 10-24 x 3/8 Hex Washer Hd.....	3
60	00-446345	Plunger - Spring.....	1
61	00-446343	Block - Rotation Detent.....	1
62	00-444464	Fitting - Tube (Straight Male).....	1
63	RR-010-12	Retaining Ring (SST).....	1
64	WL-003-09	Lockwasher #6 Helical.....	1
65	SC-092-36	Cap Screw 6-32 x 1/2 Hex Socket Hd.....	1
66	00-443021	Key - 1/4 Sq. x 1 In. Lg.....	1
67	00-446336	Pulley - Wand Drive.....	1
68	00-443038	Pivot - Block Assy. (Incls. Item 70).....	1
69	RR-010-12	Retaining Ring.....	1
*70	00-442611-00007	Bearing - Sleeve.....	1
71	00-442611-00011	Bearing - Flanged.....	1
72	00-446340	Hub - Rotation Detent.....	1
73	00-442611-00011	Bearing - Flanged.....	1
74	00-443027	Sleeve-Spring.....	1
75	00-041680	Gear.....	1
	00-443033	Pad - Arm Applier Assy. (Incls. Items 48, 49, 54, & 57).....	1

\* Order 00-443038 Pivot - Block Assy

## NOTES

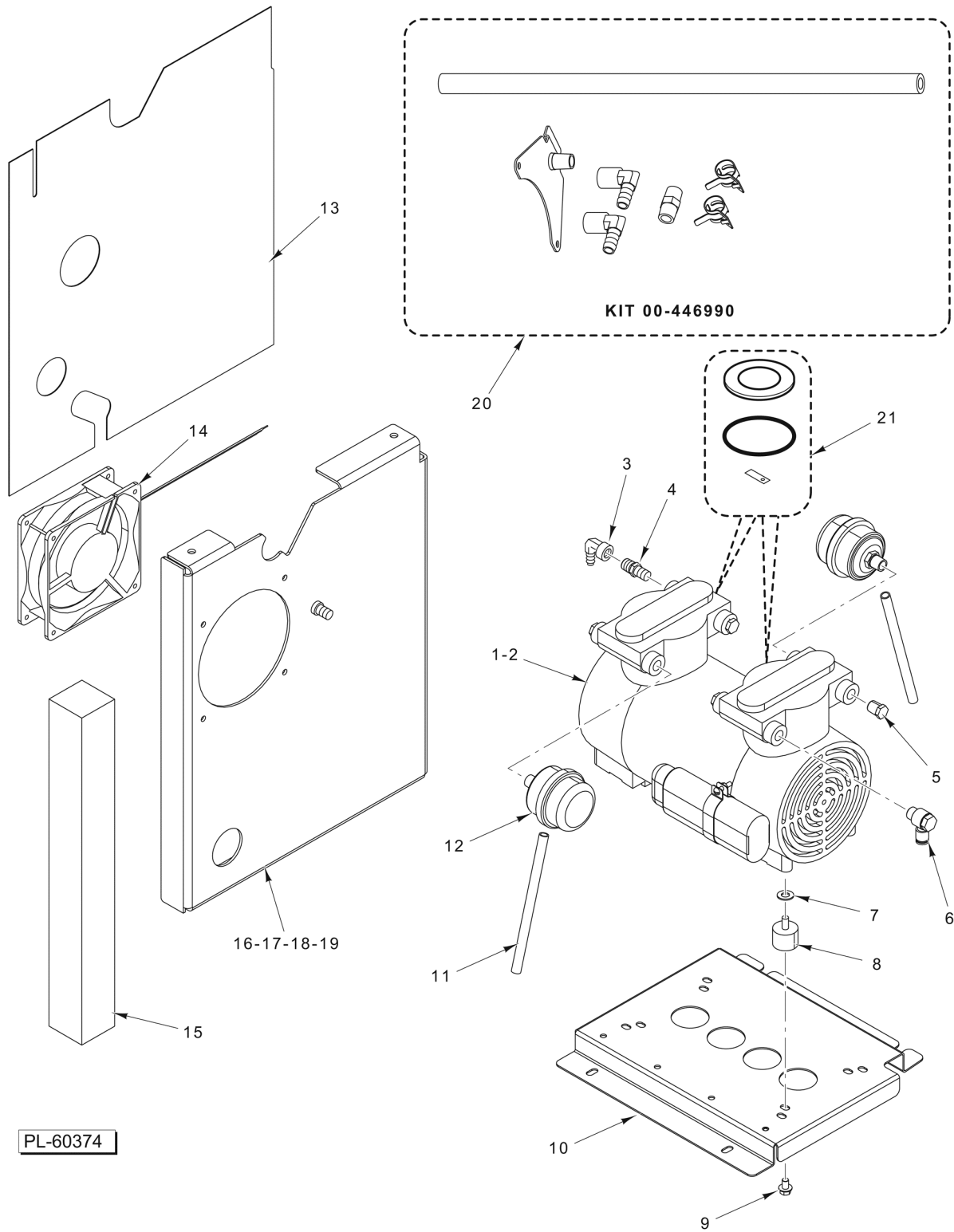


PL-59419

**COMPRESSOR ASSEMBLY (THOMAS)**

**COMPRESSOR ASSEMBLY (THOMAS)**

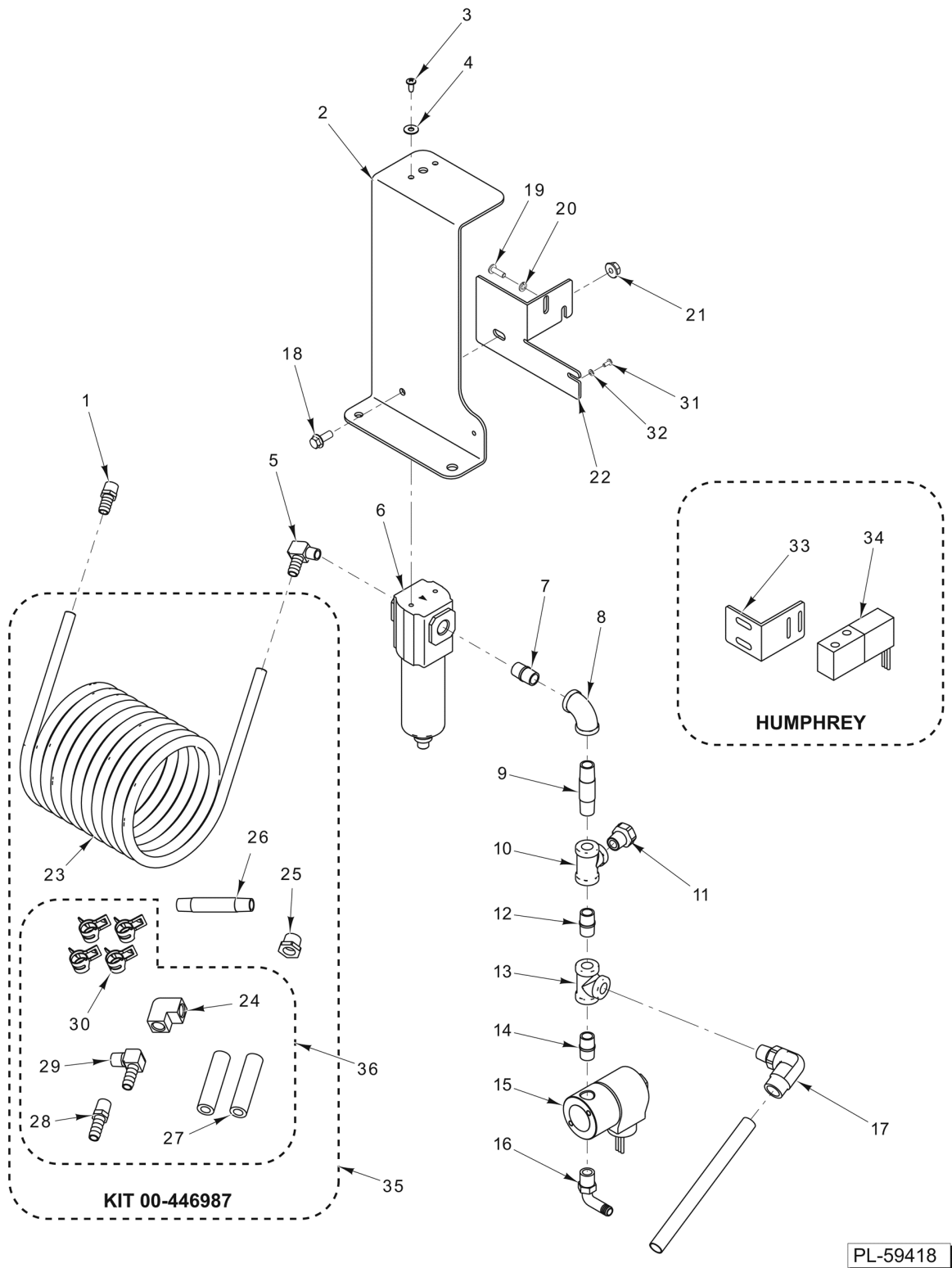
ILLUS.	PART NO.	NAME OF PART	AMT.
PL-59419			
1	00-444513	Muffler.....	2
2	00-444518	Pump Assy.....	1
3	FP-027-42	Bushing - Pipe 3/8 to 1/4 (Brass).....	1
4	00-444052	Fitting - Tube (Banjo Elbow).....	1
5	00-444513	Muffler.....	2
6	00-444728	Hose - Braided (1/4 I.D.).....	1
7	FP-040-26	Pipe 3/8 x 3 TBE (Brass).....	1
8	SC-100-08	Mach. Screw 1/4-20 x 3/8 Hex Washer Hd.....	4
9	00-443993	Plate - Compressor Mounting.....	1
10	00-444426	Screw - Cover Shoulder.....	2
11	00-444038	Mount - Hinge.....	4
12	00-444728	Hose - Braided (1/4 I.D.).....	1
13	FP-028-11	Pipe Plug 3/8 Sq. Hd. (Brass).....	1
	00-446005	Compact Connector.....	1



**COMPRESSOR ASSEMBLY (GAST)**

**COMPRESSOR ASSEMBLY (GAST)**

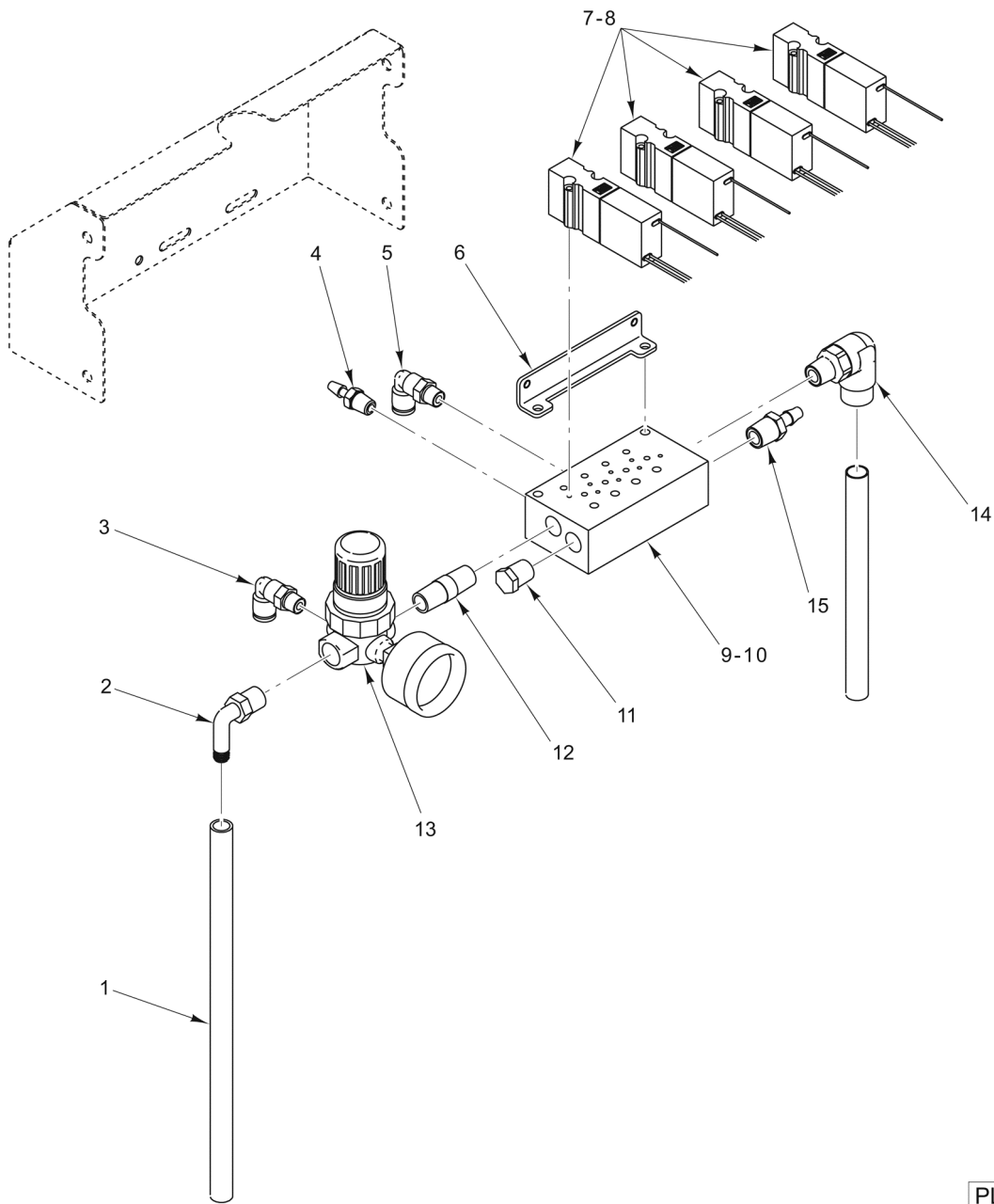
ILLUS.	PART NO.	NAME OF PART	AMT.
1	00-447300	Kit - Compressor (Gast) (Used to install Gast Compressor on AWS built with Thomas Compressor) (Incls. Items 2 thru 19).....	1
2	00-447240	Compressor Assy. (Gast) (Incls. Items 3 thru 12).....	1
3	00-446992	Fitting - Elbow 3/8 Tube.....	1
4	00-446995	Fitting - Pipe 1/4.....	1
5	FP-090-76	Pipe Plug 1/4 Hex Hd.....	4
6	00-444052	Fitting - Tube (Banjo Elbow).....	1
7	WS-022-04	Washer (SST).....	4
8	00-444038	Mount - Hinge.....	4
9	SC-100-08	Mach. Screw 1/4-20 x 3/8 Hex Washer Hd.....	4
10	00-443993	Plate - Compressor Mounting.....	1
11	00-446424	Tube - Muffler.....	2
12	00-446290	Muffle - Compressor (Gast).....	2
13	00-446328	Baffle - Airflow.....	1
14	00-444496	Fan Assy. - Heater.....	1
15	00-446382	Seal - Foam.....	1
16	00-446997	Support Assy.....	1
17	SD-024-18	Self-Tapping Screw 10-24 x 1/2 Hex Hd., Type TT.....	4
18	SC-123-92	Mach. Screw 1/4-20 x 5/8 Hex Washer Hd.....	4
19	NS-038-08	Lock Nut 1/4-20 x 1 Hex.....	4
20	00-446990	Kit - Compressor Hose.....	1
21	00-447236	Kit - Compressor Repair.....	1



**AIR DRYER FILTER ASSEMBLY**

## AIR DRYER FILTER ASSEMBLY

ILLUS.	PART NO.	NAME OF PART	AMT.
PL-59418			
1	00-446994	Fitting 3/8 Tube Straight.....	1
2	00-446298	Bracket - Filter Dryer.....	1
3	SD-009-41	Self-Tapping Screw 8-32 x 3/8 Phil. Pan Hd., Type F (SST).....	2
4	WS-019-10	Washer (SST).....	2
5	00-446991	Fitting - Elbow 3/8 Tube.....	1
6	00-444510	Filter - Dryer.....	1
7	FP-040-08	Pipe 1/4 x 7/8 TBE (Brass).....	1
8	FP-015-05	Elbow - Pipe 1/4 x 90 Deg. (Brass).....	1
9	FP-040-14	Pipe 1/4 x 2 TBE (Brass).....	1
10	FP-019-08	Tee - Pipe (Brass).....	1
11	FP-090-76	Pipe Plug 1/4 Hex Hd.....	1
12	FP-040-08	Pipe 1/4 x 7/8 TBE (Brass).....	1
13	FP-019-08	Tee - Pipe (Brass).....	1
14	FP-040-08	Pipe 1/4 x 7/8 TBE (Brass).....	1
15	00-444483	Valve - Dump (Before S/N 451088490).....	1
16	00-333153	Fitting - Hose (90 Deg.).....	1
17	00-444473	Elbow - Swivel Male.....	1
18	SC-129-49	Mach. Screw 1/4-20 x 1/2 Hex Washer Hd. (SST).....	1
19	SC-018-25	Mach. Screw 10-32 x 3/8 Phil. Pan Hd.....	2
20	WL-006-07	Lockwasher #10 Helical (SST).....	2
21	NS-038-04	Lock Nut 1/4-20.....	1
22	00-446728	Bracket - Dump Valve Support.....	1
23	00-446986	Coil - Cooling.....	1
24	00-446993	Fitting - Elbow 1/4.....	1
25	FP-027-42	Bushing - Pipe 3/8 to 1/4 (Brass).....	1
26	FP-075-70	Pipe 1/4 x 3 TBE (Brass).....	1
27	00-446996-00001	Tubing 3/8.....	2
28	00-446994	Fitting 3/8 Tube Straight.....	1
29	00-446991	Fitting - Elbow 3/8 Tube.....	1
30	00-446989	Clamp - Hose.....	4
31	SD-009-41	Self-Tapping Screw 8-32 x 3/8 Phil. Pan Hd., Type F (SST).....	1
32	WL-013-08	Lockwasher #8 Internal Shakeproof.....	1
33	00-447304	Bracket - Valve.....	1
34	00-447299	Valve (120 In. Lead) (Humphrey) (Starting S/N 451088490).....	1
35	00-446987	Kit - Cooling Coil Replacement (Incls. Items 23 thru 30).....	1
36	00-447279	Kit - Cooling Coil Mounting (Incls. Items 24 & 27 thru 30).....	1

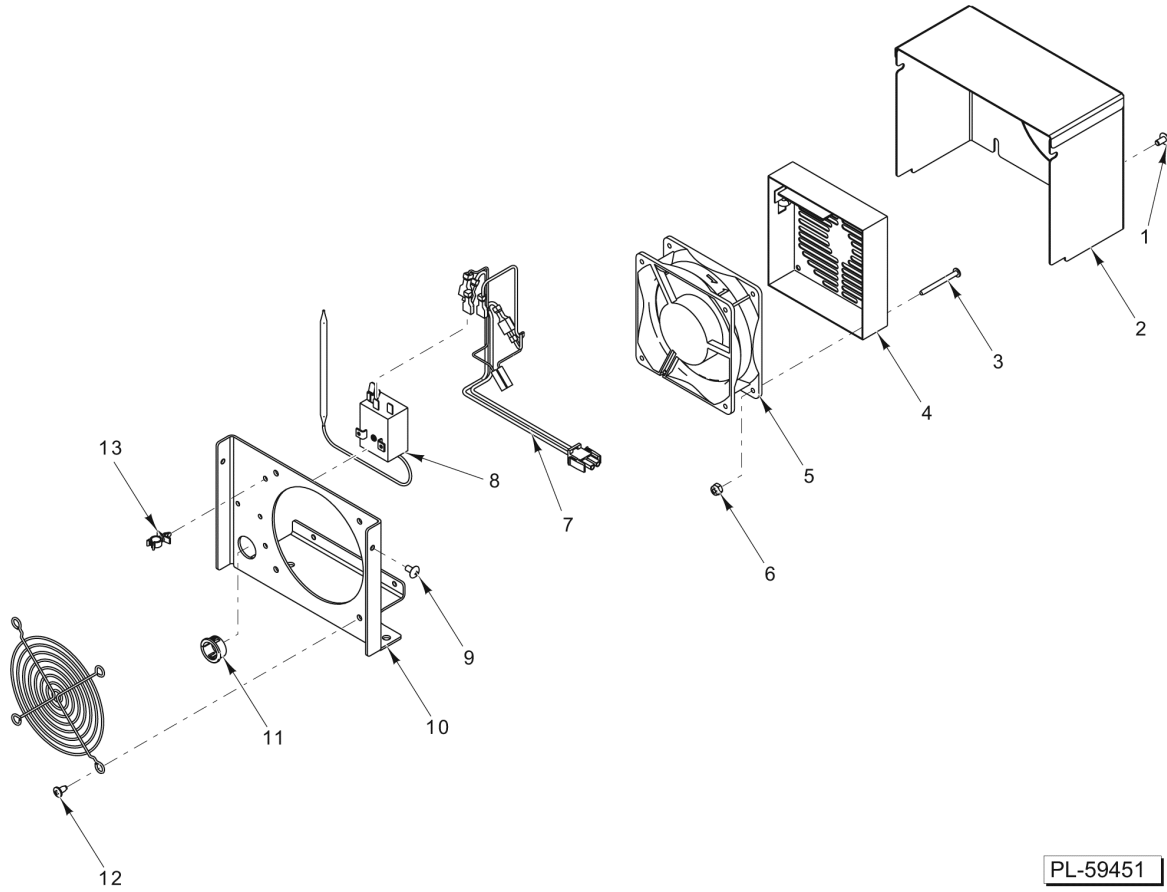


PL-59420

**MAC VALVE**

**MAC VALVE**

ILLUS.	PART NO.	NAME OF PART	AMT.
PL-59420			
1	00-444490-00031	Tubing (Yellow).....	AR
2	00-333153	Fitting - Hose (90 Deg.).....	1
3	00-444467	Fitting - Swivel 90 Deg. Elbow Tube.....	1
4	00-041720	Silencer - Valve.....	2
5	00-444467	Fitting - Swivel 90 Deg. Elbow Tube.....	2
6	00-446378	Bracket - Four Valve Manifold.....	1
7	00-445982	Valve Assy. - MAC (Before S/N 451088494).....	4
8	00-447302	Valve (Humphrey) (Starting S/N 451088494).....	4
9	00-446379	Manifold - MAC Valve (Before S/N 451088494).....	1
10	00-446828	Manifold (Humphrey) (Starting S/N 451088494).....	1
11	FP-090-76	Pipe Plug 1/4 Hex Hd.....	1
12	FP-040-13	Pipe 1/4 x 1-1/2 TBE (Brass).....	1
13	00-444474	Regulator - Pressure (Incls. Gauge).....	1
14	00-444473	Elbow - Swivel Male.....	1
15	00-041685	Silencer - Valve.....	1

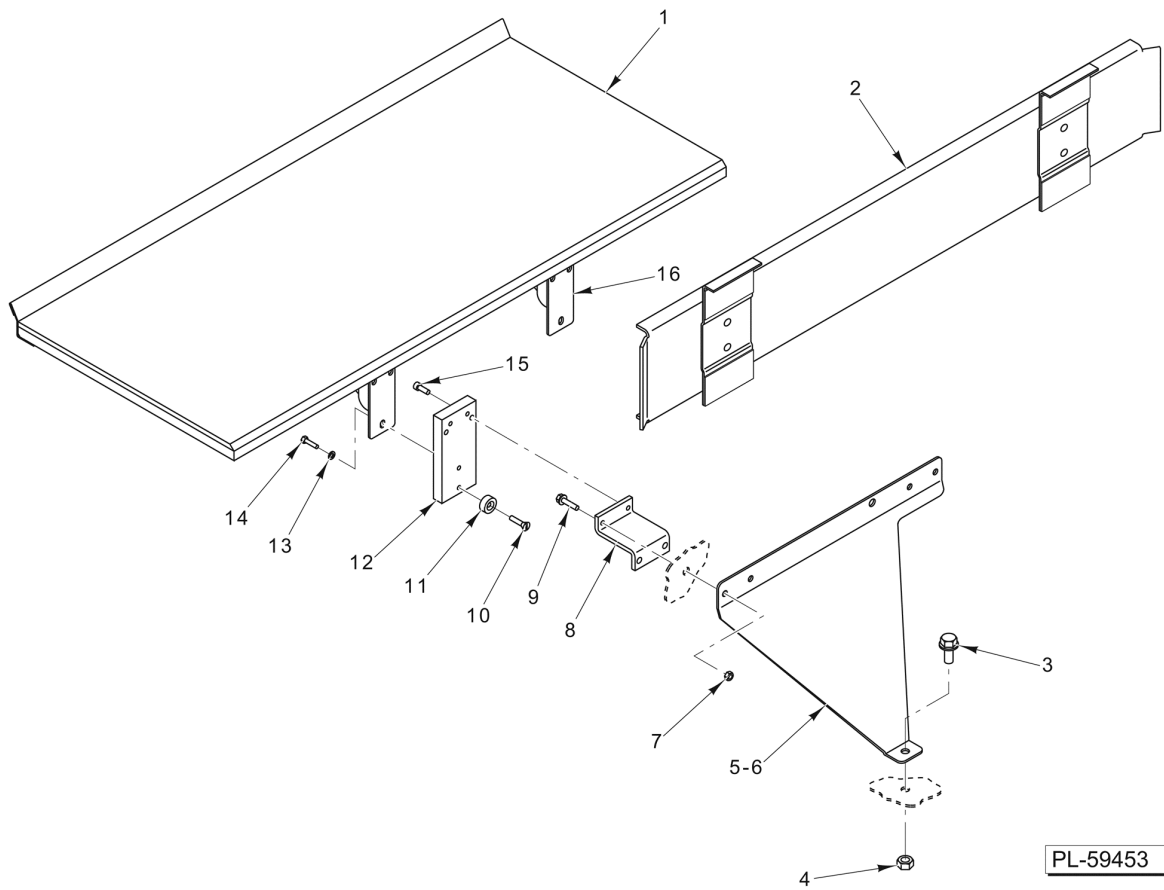


PL-59451

**FILM HEATER OPTION**

**FILM HEATER OPTION**

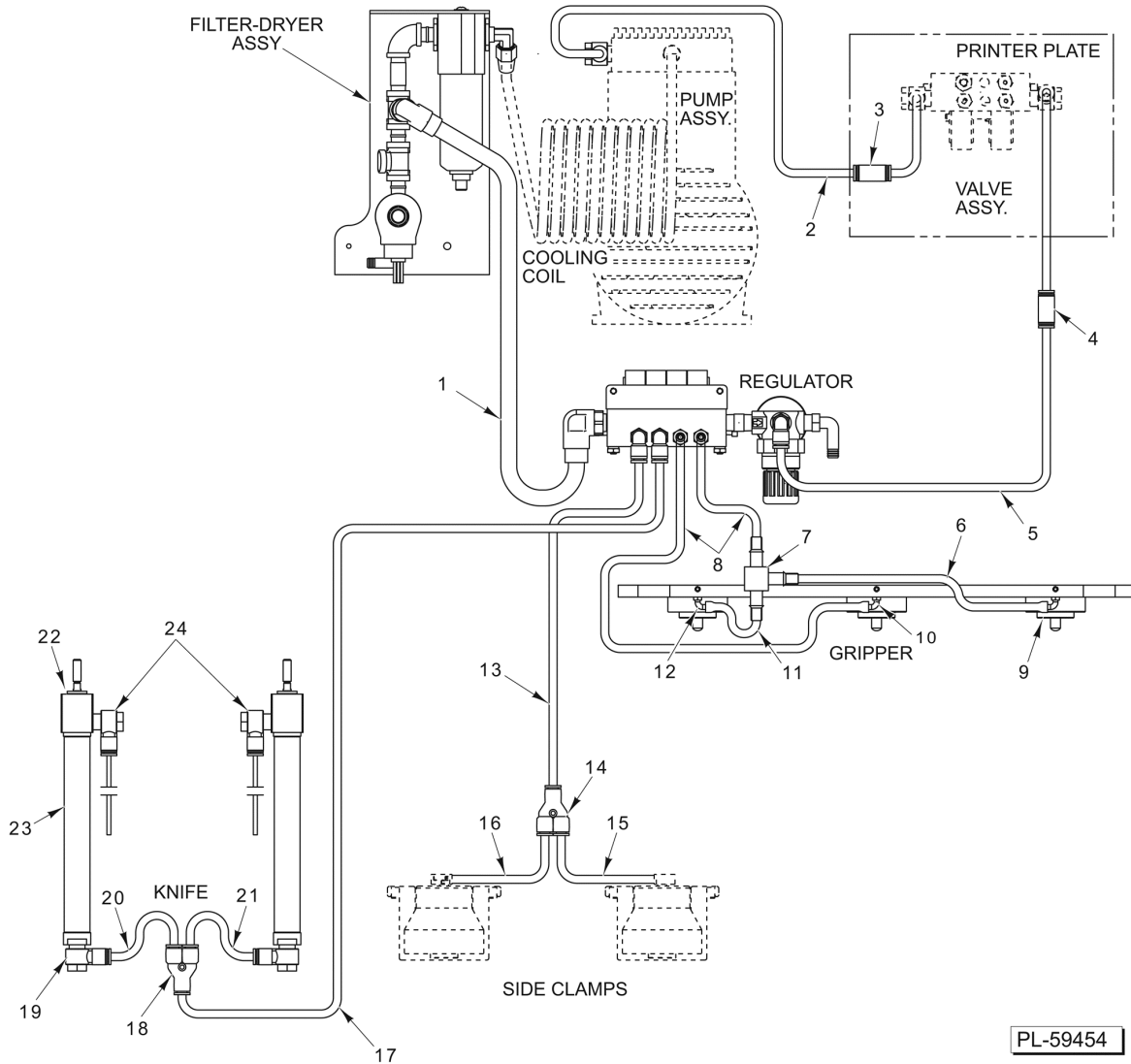
ILLUS.	PART NO.	NAME OF PART	AMT.
PL-59451			
1	SC-066-22	Mach. Screw 10-32 x 3/8 Phil. Truss Hd. (SST).....	1
2	00-444411	Cover - Heater.....	1
3	SD-038-05	Self-Tapping Screw 8-32 x 1-3/4 Phil. Pan Hd., Type TT.....	1
4	00-444413	Heater Assy.....	1
5	00-444412	Fan Assy. - Heater.....	1
6	NS-031-08	Stop Nut 8-32 Special (SST).....	1
7	00-443298	Cable Assy.....	1
8	00-442423	Thermostat - Bulb & Capillary.....	1
9	SC-066-22	Mach. Screw 10-32 x 3/8 Phil. Truss Hd. (SST).....	1
10	00-444410	Plate - Heater.....	1
11	FE-016-24	Bushing - Electrical Split.....	1
12	SD-024-38	Self-Tapping Screw 10-24 x 3/8 Phil. Pan Hd., Type TT.....	1
13	00-442454	Standoff.....	2
	00-444409	Heater Assy.....	1



**AWS SHELF OPTION**

**AWS SHELF OPTION**

ILLUS.	PART NO.	NAME OF PART	AMT.
PL-59453			
1	00-440960	Shelf Assy. (Platter).....	1
2	00-445084	Brace Assy.....	1
3	SC-129-51	Cap Screw 5/16-18 x 3/4 Hex Washer Hd. (SST).....	2
4	NS-048-40	Lock Nut 5/16-18 Flange (SST).....	2
5	00-445107-00001	Support - Shelf (LH).....	1
6	00-445107-00002	Support - Shelf (RH).....	1
7	NS-049-06	Lock Nut 1/4-20 (SST).....	4
8	00-444542	Bracket - Shelf Mounting.....	2
9	SC-129-50	Mach. Screw 1/4-20 x 5/8 Hex Washer Hd. (SST).....	4
10	SC-022-19	Mach. Screw 10-24 x 1/2 Slotted Flat Hd. (SST).....	2
11	00-184135	Spacer - Hinge Mounting.....	2
12	00-184134	Block - Hinge Mounting.....	2
13	WS-019-06	Washer.....	6
14	SC-067-07	Mach. Screw 10-24 x 1/2 Hex Hd. (SST).....	6
15	SC-122-99	Cap Screw 10-24 x 1/2 Hex Socket Hd.....	4
16	00-184132	Hinge - Shelf.....	2
	00-444449	Standoff - Sealer Cover.....	2
	WS-003-09	Washer.....	2
	NS-049-06	Lock Nut 1/4-20 (SST).....	2

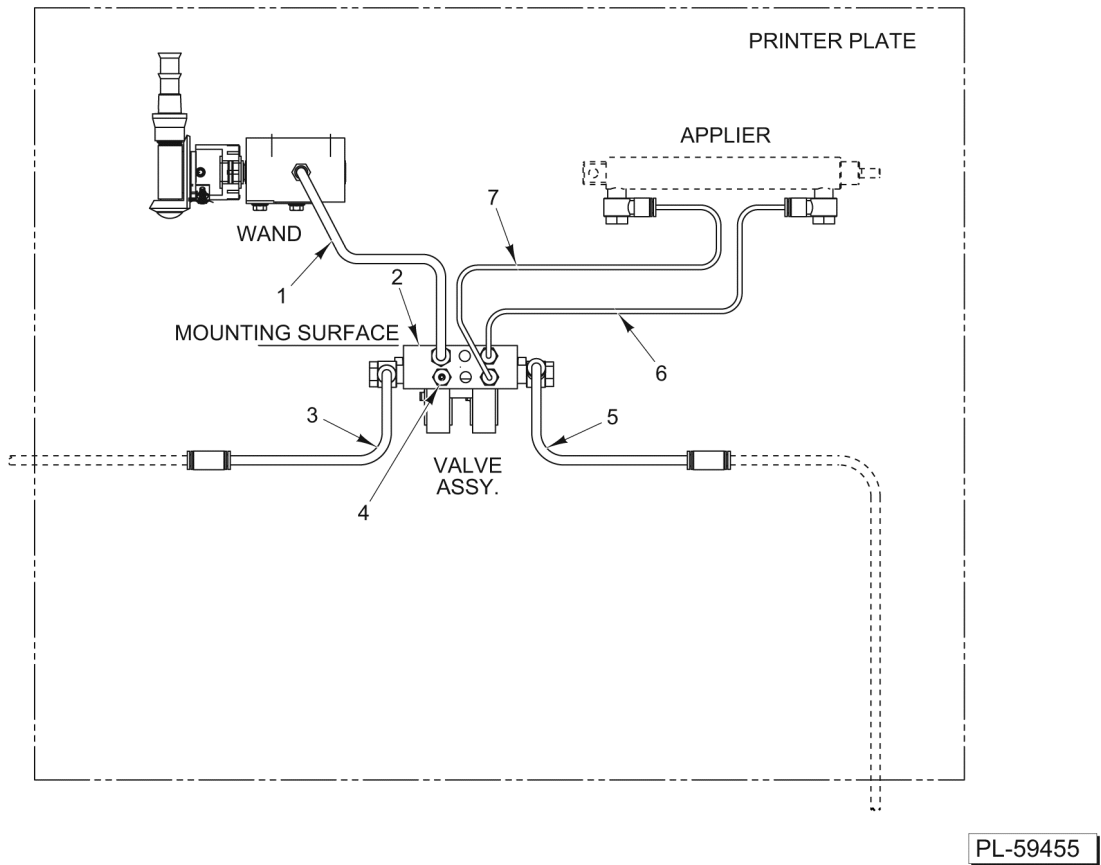


PL-59454

**VACUUM HOSE DIAGRAM (MAIN)**

**VACUUM HOSE DIAGRAM (MAIN)**

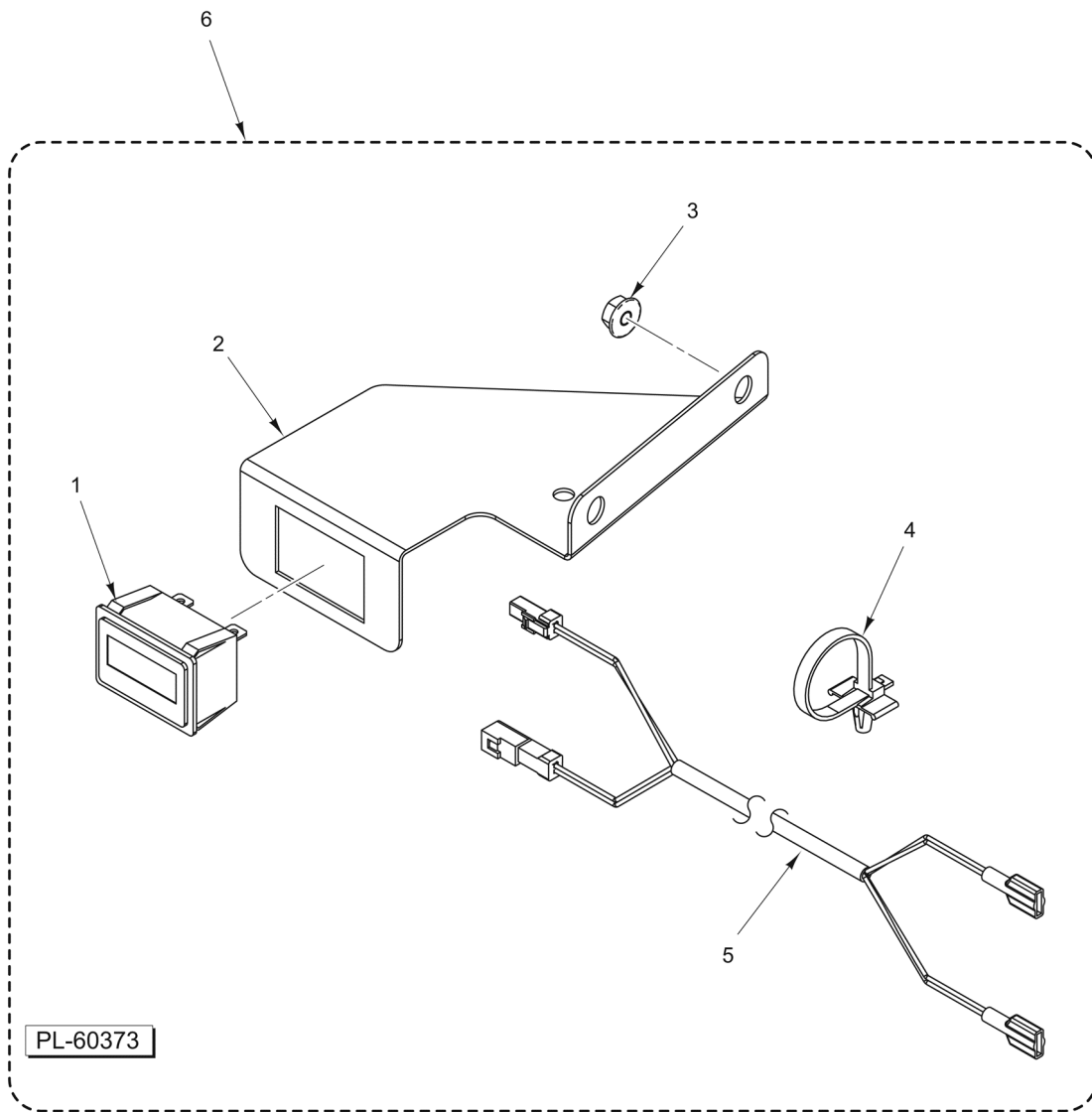
<b>ILLUS.</b>	<b>PART NO.</b>	<b>NAME OF PART</b>	<b>AMT.</b>
1	00-444491-00002	Tube - Nylon (1/2).....	1
2	00-444490-00012	Tubing - Blue Polyurethane (1/4).....	1
3	00-444624	Connector - Straight (1/4).....	1
4	00-444624	Connector - Straight (1/4).....	1
5	00-444490-00011	Tubing - Red Polyurethane (1/4).....	1
6	00-444493-00004	Tubing - Polyurethane (1/4).....	1
7	00-444640	Fitting - Hose Tee (1/8).....	1
8	00-445055	Tubing - Natural & Black Gripper (1/4).....	1
9	00-443913	Fitting - Elbow.....	1
10	00-443913	Fitting - Elbow.....	1
11	00-444493-00005	Tubing - Polyurethane (1/4).....	1
12	00-443913	Fitting - Elbow.....	1
13	00-444490-00010	Tubing - Yellow Polyurethane (1/4).....	1
14	00-444466	Fitting - Union Tube (Y).....	1
15	00-444490-00008	Tubing - Yellow Polyurethane (1/4).....	1
16	00-444490-00008	Tubing - Yellow Polyurethane (1/4).....	1
17	00-444490-00006	Tubing - Natural Polyurethane (1/4).....	1
18	00-444466	Fitting - Union Tube (Y).....	1
19	00-444467	Fitting - Swivel 90 Deg. Elbow Tube.....	1
20	00-444490-00006	Tubing - Natural Polyurethane (1/4).....	1
21	00-444490-00006	Tubing - Natural Polyurethane (1/4).....	1
22	00-445452	Spacer - Knife Cylinder.....	2
23	00-445993	Cylinder - Air.....	2
24	00-444121	Fitting - Elbow.....	2



**VACUUM HOSE DIAGRAM  
(PRINTER PLATE)**

**VACUUM HOSE DIAGRAM  
(PRINTER PLATE)**

ILLUS.	PART NO.	NAME OF PART	AMT.
1	00-444490-00001	Tubing - Black Polyurethane (1/4).....	1
2	00-445759	Valve Assy. - MAC.....	3
3	00-444490-00013	Tubing - Blue Polyurethane (1/4).....	1
4	00-041720	Silencer - Valve.....	1
5	00-444490-00009	Tubing - Red Polyurethane (1/4).....	1
6	00-444489-00002	Tubing - Natural Polyurethane (1/8).....	1
7	00-444489-00002	Tubing - Natural Polyurethane (1/8).....	1



**CYCLE COUNTER**

**CYCLE COUNTER**

ILLUS. PL-60373	PART NO.	NAME OF PART	AMT.
1	00-446975	Counter - Cycle.....	1
2	00-446976	Bracket - Counter.....	1
3	NS-048-40	Lock Nut 5/16-18 Flange (SST).....	2
4	00-444428	Tie - Cable Releasable.....	1
5	00-446999	Cable Assy. (Counter).....	1
6	00-446988	Kit - Cycle Counter (Incls. Items 1 thru 5).....	1

