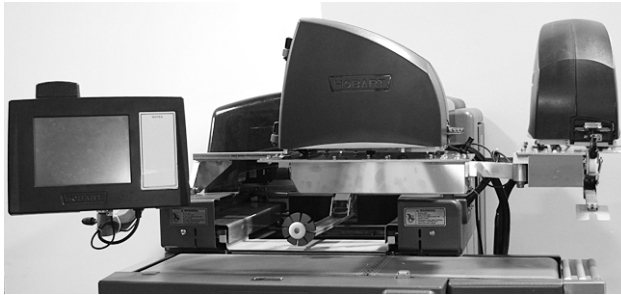




CATALOG OF REPLACEMENT PARTS



ACCESS WRAPPING SYSTEM SUPPLEMENT

**AWS WRAPPER SECOND PRINTER KIT
PART #446293-1 RIGHT-TO-LEFT
PART #446293-2 LEFT-TO-RIGHT**

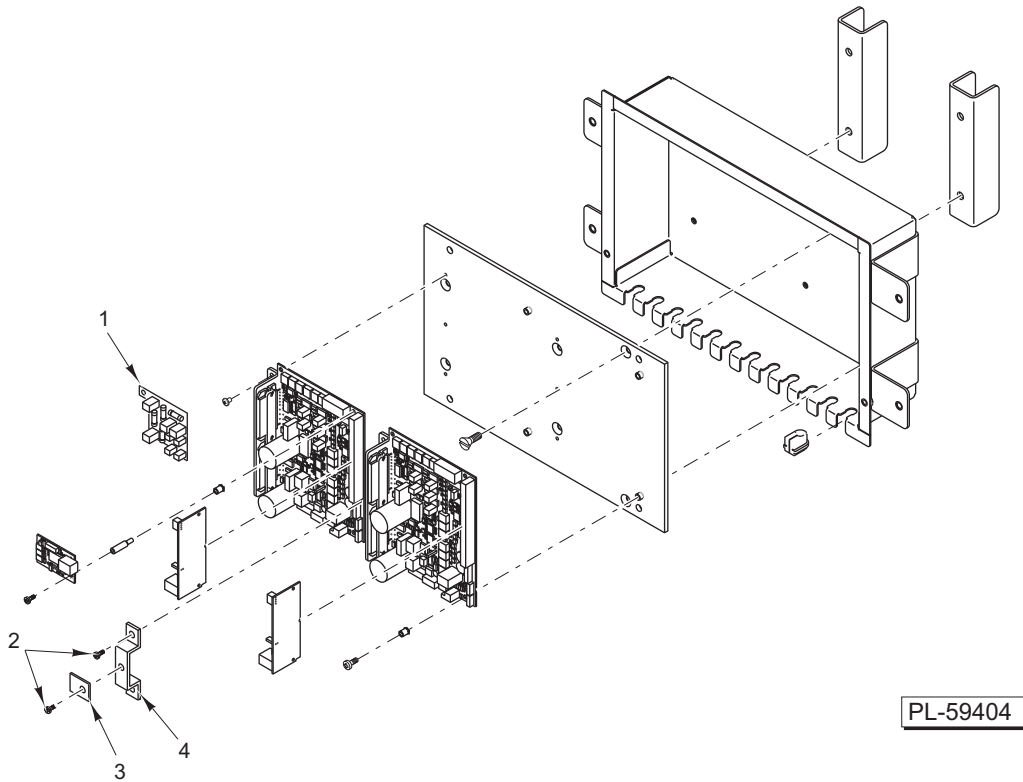
Supplement to AWS Access Wrapping System Replacement Parts Catalog Form 43128A.

A product of HOBART 701 S. RIDGE AVENUE TROY, OHIO 45374-0001

FORM 43213 (April 2010)

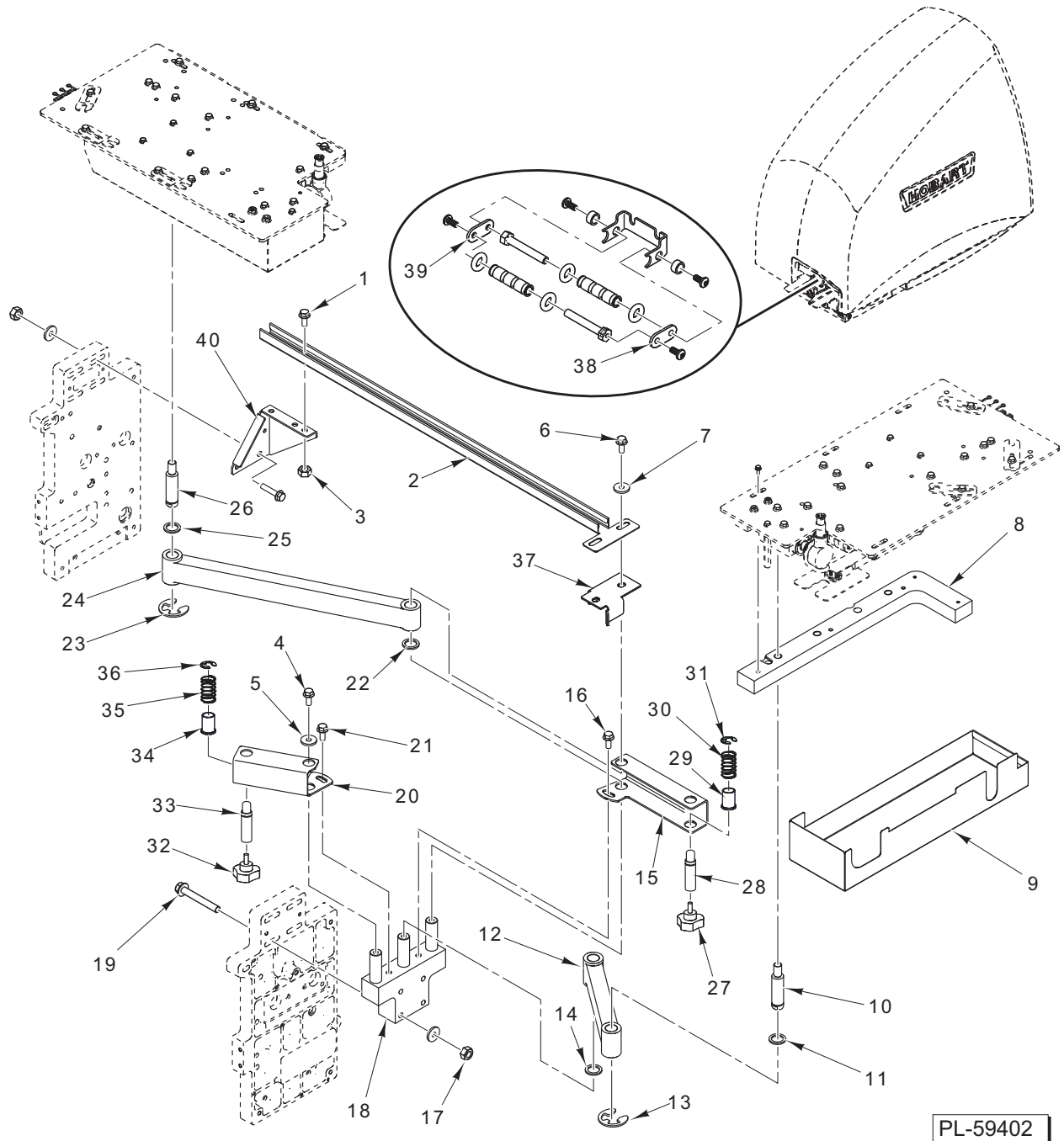
TABLE OF CONTENTS

3	CIRCUIT BOARDS AND CABLES
5	AWS SECOND PRINTER SUPPORT (L-R)
7	AWS SECOND PRINTER SUPPORT (R-L)
9	LABEL APPLIER
11	LABEL APPLIER ARM
12	DISCHARGE ROLLER PARTS



CIRCUIT BOARDS AND CABLES

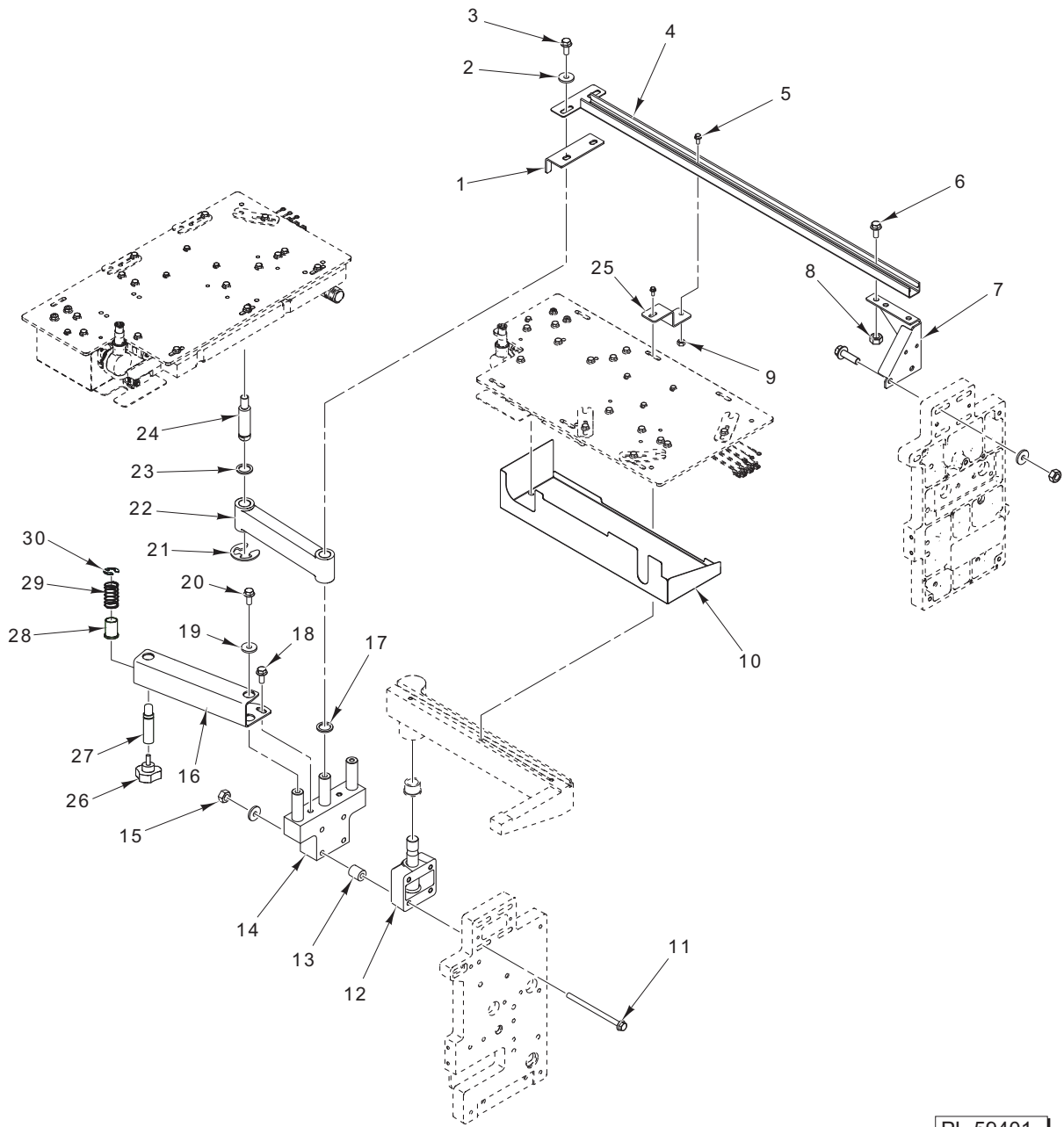
ILLUS.	PART NO.	NAME OF PART	AMT.
PL-59404			
1	00-445812	Board Assy. – Brake Valve Fuse.....	1
2	SC-018-34	Mach. Screw 8-32 x 1/2 Phil. Pan Hd.....	3
3	00-446269	Board	1
4	00-446330	Bracket – Board Mounting	1
	00-446334	Cable Assy – Patch (2nd Label Applier Ext.)	1
	00-446354	Cable Assy. – (Board Ext.).....	1
	00-444466	Fitting – Airline (Y)	1
	00-441937-00001	Cable (USB).....	1
	00-255502	Tie – Wire.....	AR
	00-042779	Plug.....	1
	00-257200	Cord – Power.....	1



AWS SECOND PRINTER SUPPORT (L-R)

AWS SECOND PRINTER SUPPORT (L-R)

ILLUS. PL-59402	PART NO.	NAME OF PART	AMT.
1	SC-129-51	Cap Screw 5/16-18 x 3/4 Hex Washer Hd.	2
2	00-446294	Brace	1
3	NS-048-40	Nut 5/16-18 Hex	1
4	SC-129-51	Cap Screw 5/16-18 x 3/4 Hex Washer Hd.	1
5	WS-028-37	Washer.....	2
6	SC-129-51	Cap Screw 5/16-18 x 3/4 Hex Washer Hd.	2
7	WS-028-37	Washer.....	3
8	00-445910	Support – Second Printer	1
9	00-446190	Cover – Applier	1
10	00-445925	Pin – Pivot.....	1
11	00-446369	Washer – Thrust	1
12	00-445911	Link (Short)	1
13	RR-012-28	Ring – Retaining (SST).....	1
14	00-446369	Washer – Thrust	1
15	00-445923	Lock Assy. (Long) (Incls. Items 27 thru 31).....	1
16	SC-129-51	Cap Screw 5/16-18 x 3/4 Hex Washer Hd.	1
17	NS-048-40	Nut 5/16-18 Hex	4
18	00-445919	Support Assy.....	1
19	SC-041-22	Cap Screw 5/16-18 x 3 Hex Washer Hd.	4
20	00-445920	Lock Assy. (Short) (Incls. Items 32 thru 36)	1
21	SC-129-51	Cap Screw 5/16-18 x 3/4 Hex Washer Hd.	1
22	00-446369	Washer – Thrust	1
23	RR-012-28	Ring – Retaining (SST).....	1
24	00-446368	Link (Long).....	1
25	00-446369	Washer – Thrust	1
26	00-445925	Pin – Pivot.....	1
27	00-183538	Knob – Film Centering	1
28	00-445922	Pin – Lock	1
29	00-445914	Bushing.....	1
30	00-444353	Spring – Shift Collar.....	1
31	RR-012-04	Ring – Retaining 5/8.....	1
32	00-183538	Knob – Film Centering	1
33	00-445922	Pin – Lock	1
34	00-445914	Bushing.....	1
35	00-444353	Spring – Shift Collar.....	1
36	RR-012-04	Ring – Retaining 5/8.....	1
37	00-446425	Bracket – Lock RH.....	1
38	00-445316	Bracket – Short Roller Hold Down	1
39	00-445316	Bracket – Short Roller Hold Down	1
40	00-446313	Bracket – Support	1

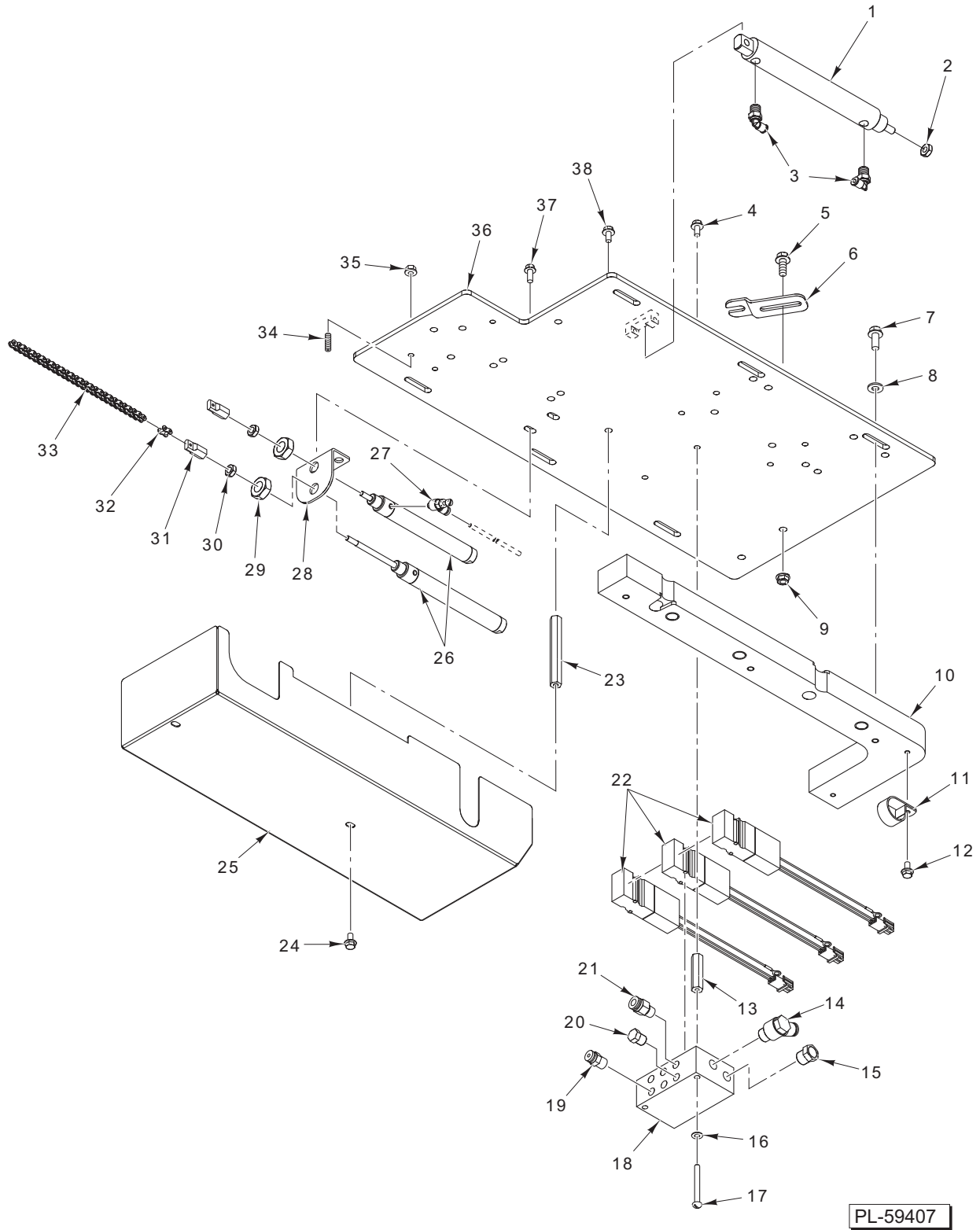


PL-59401

AWS SECOND PRINTER SUPPORT (R-L)

AWS SECOND PRINTER SUPPORT (R-L)

ILLUS. PL-59401	PART NO.	NAME OF PART	AMT.
1	00-446452	Bracket – Lock LH	1
2	WS-028-37	Washer.....	2
3	SC-129-51	Cap Screw $\frac{5}{16}$ -18 x $\frac{3}{4}$ Hex Washer Hd.	2
4	00-446294	Brace	1
5	SC-129-49	Mach. Screw $\frac{1}{4}$ -20 x $\frac{1}{2}$ Hex Washer Hd.	1
6	SC-129-51	Cap Screw $\frac{5}{16}$ -18 x $\frac{3}{4}$ Hex Washer Hd.	2
7	00-446312	Bracket – Support	1
8	NS-048-40	Nut $\frac{5}{16}$ -18 Hex	2
9	NS-049-06	Nut $\frac{1}{4}$ -20 Hex	1
10	00-446355	Cover – Applier	1
11	SC-124-15	Cap Screw $\frac{5}{16}$ -18 x 5 Hex Washer Hd.	4
12	00-445929	Mount Assy.....	1
13	00-445927	Spacer	4
14	00-445919	Support Assy.	1
15	NS-048-40	Nut $\frac{5}{16}$ -18 Hex	4
16	00-446235	Lock Assy. (Incls. Items 26 thru 30)	1
17	00-446369	Washer – Thrust	1
18	SC-129-51	Cap Screw $\frac{5}{16}$ -18 x $\frac{3}{4}$ Hex Washer Hd.	1
19	WS-028-37	Washer.....	1
20	SC-129-51	Cap Screw $\frac{5}{16}$ -18 x $\frac{3}{4}$ Hex Washer Hd.	1
21	RR-012-28	Ring – Retaining (SST)	1
22	00-445911	Link	1
23	00-446369	Washer – Thrust	1
24	00-445925	Pin – Pivot.....	1
25	00-446356	Bracket – Printer	1
26	00-183538	Knob – Film Centering	1
27	00-445922	Pin – Lock	1
28	00-445914	Bushing.....	1
29	00-444353	Spring – Shift Collar	1
30	RR-012-04	Ring – Retaining $\frac{5}{8}$	1

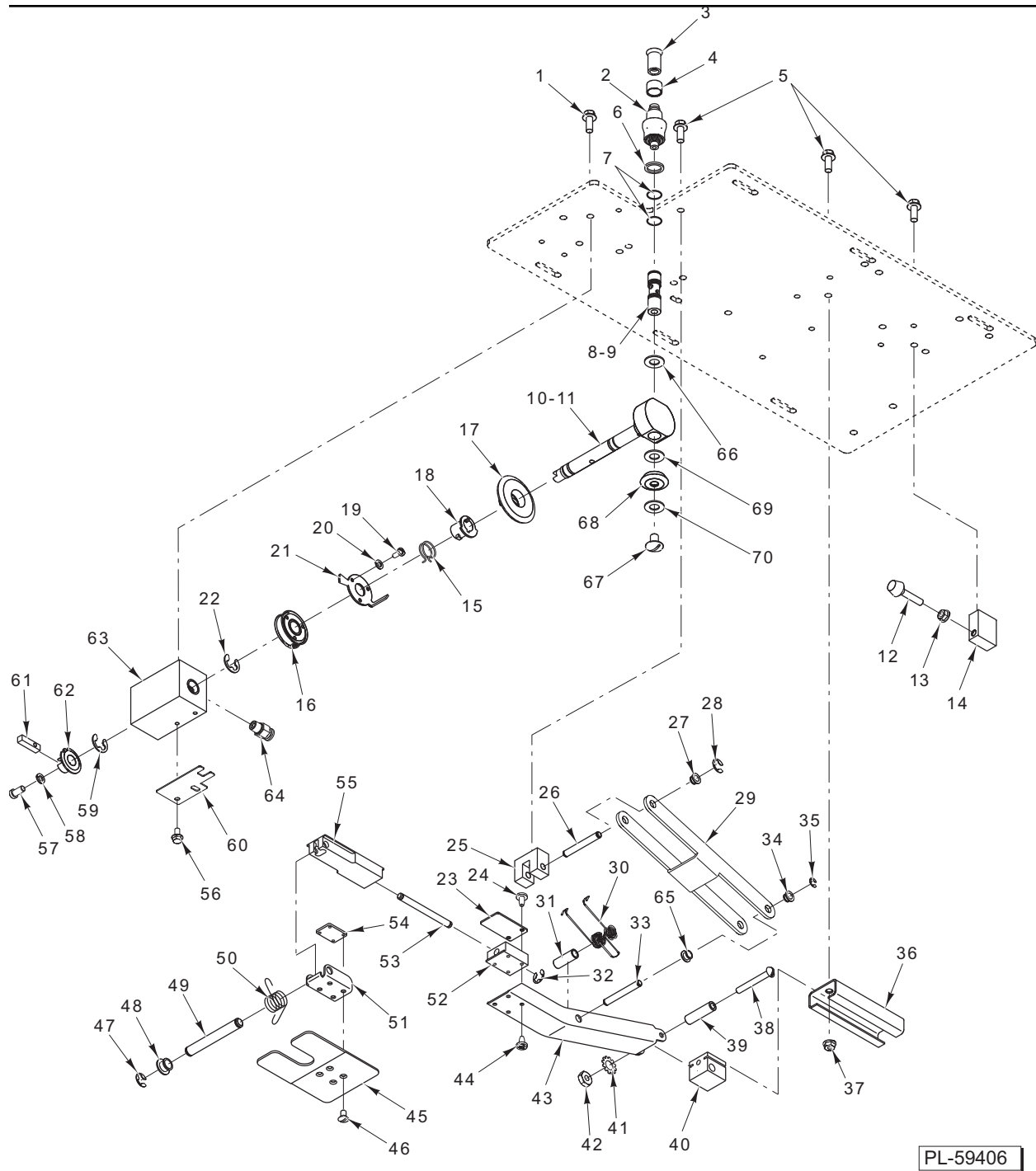


PL-59407

LABEL APPLIER

LABEL APPLIER

ILLUS.	PART NO.	NAME OF PART	AMT.
PL-59407			
1	00-446029	Cylinder – Applier 0.75 x 3.5 In. Stroke	1
2	NS-017-60	Jam Nut 1/4-28 Hex.....	1
3	00-444121	Fitting – Elbow	2
4	SC-100-04	Mach. Screw 10-24 x 3/8 Hex Washer Hd.	2
5	SC-129-49	Mach. Screw 1/4-20 x 1/2 Hex Washer Hd.	3
6	00-442995	Retainer – Foot.....	3
7	SC-129-50	Mach. Screw 1/4-20 x 5/8 Hex Washer Hd.	3
8	WS-003-49	Washer.....	3
9	NS-049-06	Lock Nut 1/4-20 Hex.....	3
10	00-445910	Support	1
11	00-078752-00008	Clamp	2
12	SC-100-04	Mach. Screw 10-24 x 3/8 Hex Washer Hd.	2
13	00-445158	Standoff.....	2
14	00-444052	Fitting – Tube (Banjo Elbow).....	2
15	00-443803	Vent – Breather.....	2
16	WL-007-12	Lockwasher #10 External	2
17	SC-098-06	Mach. Screw 10-24 x 1 3/4 Slotted Rd. Hd.	2
18	00-444051	Manifold – Mac Valve.....	1
19	00-443017	Fitting – Tube Male Connector.....	4
20	00-042779	Plug.....	1
21	00-444464	Fitting – Tube (Straight Male)	1
22	00-445759	Valve – Mac	3
23	00-445159	Standoff – 3 In.....	2
24	SC-100-04	Mach. Screw 10-24 x 3/8 Hex Washer Hd.	2
25	00-446191	Cover – Applier	1
26	00-446028	Cylinder – Wand 9/16 x 2 In. Stroke.....	2
27	00-444113	Fitting – Flow Control Tube.....	2
28	00-443008	Bracket – Cylinder Mounting.....	1
29	NS-046-30	Jam Nut 7/16-20 Hex (SST).....	2
30	NS-009-30	Nut 10-32 Hex.....	2
31	00-443010	Connector – Cylinder.....	2
32	00-444124	Chain – Connecting Link #25.....	2
33	00-444123	Chain #25 Single Strand.....	1
34	SC-049-03	Set Screw 1/4-20 x 1 1/4 Hdls. Slotted Oval Pt.....	2
35	NS-049-06	Lock Nut 1/4-20 Hex (SST)	2
36	00-443001	Plate – Printer Support	1
37	SC-129-49	Mach. Screw 1/4-20 x 1/2 Hex Washer Hd.	2
38	SC-100-04	Mach. Screw 10-24 x 3/8 Hex Washer Hd.	2

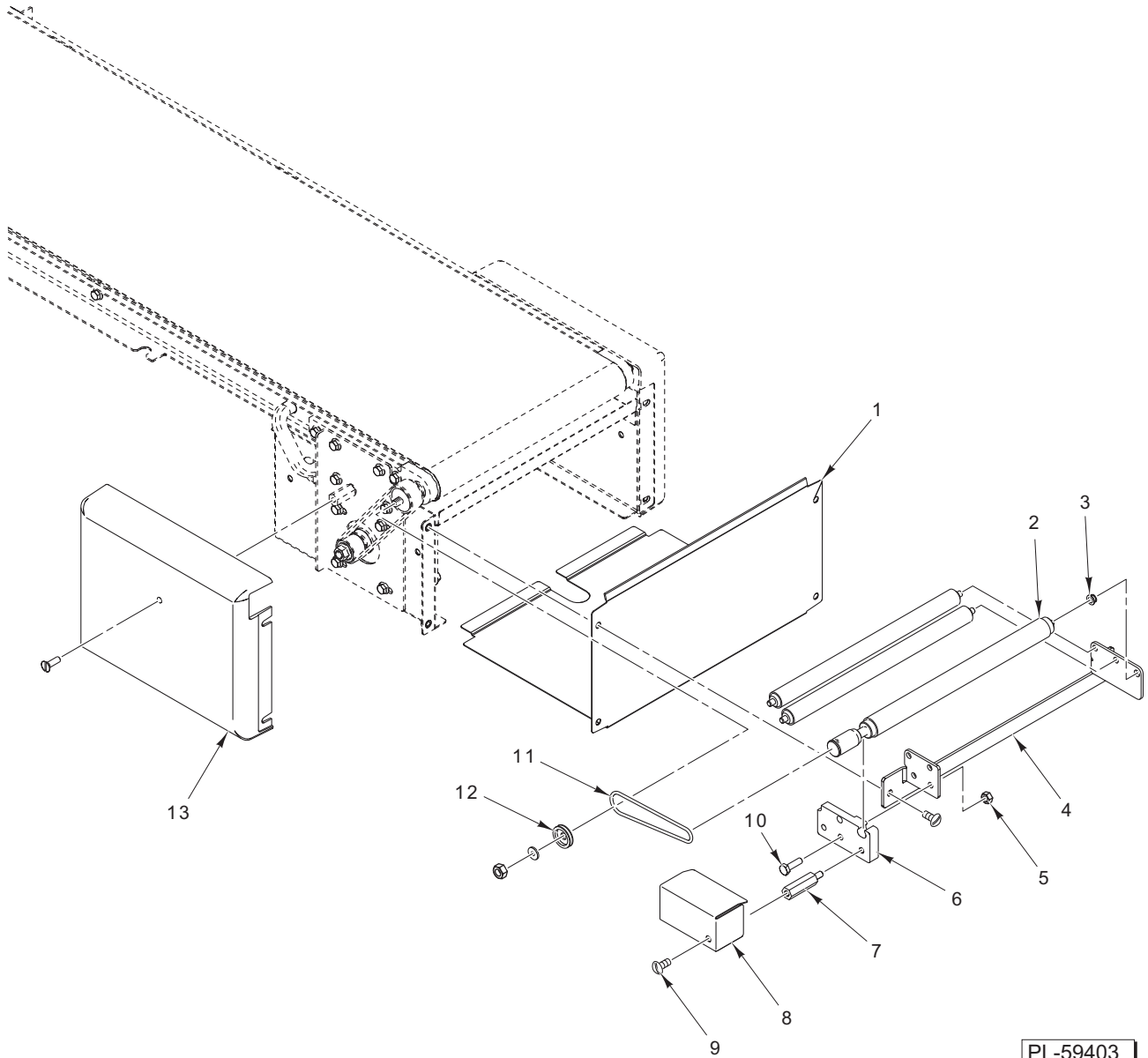


LABEL APPLIER ARM

ILLUS.	PART NO.	NAME OF PART	AMT.
1	SC-129-49	Mach. Screw 1/4-20 x 1/2 Hex Washer Hd.	2
2	00-441525	Wand Assy. – Pop Up (Incls. Item 6)	1
3	00-443494	Cup – Short Wand	1
4	00-443583	Sleeve – Bearing	1
5	SC-129-49	Mach. Screw 1/4-20 x 1/2 Hex Washer Hd.	6
6	00-441526	Seal – Rear Housing.....	1
7	00-441580-00002	O-Ring	2

LABEL APPLIER ARM

ILLUS.	PART NO.	NAME OF PART	AMT.
	PL-59406		
8	00-441496	Tube – Swing Assy.....	1
9	RR-004-05	Ring – Retaining (SST).....	1
10	00-443041	Wand Shaft & Bearing Assy.....	1
11	00-441580-00002	O-Ring.....	2
12	00-443742	Bumper.....	1
13	NS-049-06	Lock Nut 1/4-20 Hex.....	1
14	00-443896	Block – Cylinder Stop.....	1
15	00-443028	Spring – Torsion.....	1
16	00-443040	Pulley Assy.- Wand.....	1
17	00-041680	Gear.....	1
18	00-443027	Sleeve-Spring.....	1
19	SC-018-28	Mach. Screw 6-32 x 1/4 Slotted Pan Hd.....	3
20	WL-003-09	Lockwasher #6 Helical.....	3
21	00-443026	Plate – Pulley Stop.....	1
22	RR-010-12	Ring – Retaining.....	1
23	00-042120	Spring – Applier.....	1
24	SD-007-13	Self-Tapping Screw 6-20 x 1/4 Phil. Pan Hd., Type B.....	2
25	00-443002	Pivot – Applier.....	1
26	00-041850	Pin – Upper Pivot.....	1
27	00-175560	Bushing – Nyliner.....	2
28	RR-004-01	Ring – Retaining.....	1
29	00-446314	Pivot – Bar Slide.....	2
30	00-443476	Spring – Dual Torsion.....	1
31	00-444525	Spacer – Torsion Spring.....	1
32	RR-004-01	Ring – Retaining.....	1
33	00-041850	Pin – Upper Pivot.....	1
34	00-175560	Bushing – Nyliner.....	2
35	RR-004-01	Ring – Retaining.....	2
36	00-041845	Support – Slide.....	1
37	NS-049-06	Lock Nut 1/4-20 Hex.....	2
38	SC-081-44	Mach. Screw 10-32 x 1 1/2 Slotted Rd. Hd.....	1
39	00-041853	Spacer – Arm Pivot.....	1
40	00-443004	Block – Slide.....	1
41	WL-007-12	Lockwasher #10 External.....	1
42	NS-009-30	Nut 10-32 Hex.....	1
43	00-042073	Arm – Label Applier.....	1
44	SD-007-13	Self-Tapping Screw 6-20 x 1/4 Phil. Pan Hd., Type B.....	4
45	00-443966	Applier – Label.....	1
46	SC-015-08	Mach. Screw 6-32 x 1/4 Slotted Oval Hd.....	4
47	RR-004-01	Ring – Retaining.....	2
48	00-043253	Bushing – Nyliner.....	2
49	00-443007	Pin – Applier.....	1
50	00-443035	Spring – Torsion.....	1
51	00-443036	Support – Applier Pad.....	1
52	00-042076	Block – Pin.....	1
53	00-042114	Pin – Applier.....	1
54	00-444048	Plate – Nut.....	1
55	00-443006	Pivot Assy. – Applier Pad (Incls. Item 53).....	1
56	SC-100-04	Mach. Screw 10-24 x 3/8 Special Hex Hd.....	2
57	SC-092-36	Cap Screw 6-32 x 1/2 Hex Soc. Hd.....	1
58	WL-003-09	Lockwasher #6 Helical.....	1
59	RR-010-12	Ring – Retaining (SST).....	1
60	00-446280	Plate.....	1
61	00-443021	Key – 1/4 Sq. x 1 In. Lg.....	1
62	00-443020	Sprocket – 12 Tooth #25.....	1
63	00-443038	Pivot – Block Assy.....	1
64	00-444464	Fitting – Tube (Straight Male).....	1
65	00-043253	Bushing – Nyliner.....	2
66	WS-030-58	Washer.....	AR
67	SC-053-15	Mach. Screw 5/16-18 x 1/2 Slotted Truss Hd. (SST).....	1
68	00-041681	Pinion.....	1
69	WS-030-58	Washer.....	AR
70	WS-017-32	Washer.....	AR
	00-443033	Pad – Arm Applier Assy. (Incls. Items 45, 46, 51, & 54).....	1
	00-446372	Cup – Wand Small.....	1



PL-59403

DISCHARGE ROLLER PARTS

ILLUS. PL-59403	PART NO.	NAME OF PART	AMT.
1	00-446273	Cover – Sealer Belt.....	1
2	00-446285	Roller Assy. – Drive.....	1
3	00-175560	Bushing – Nyliner.....	1
4	00-446289	Bracket – Discharge Driven.....	1
5	NS-049-06	Nut 1/4-20 Hex.....	2
6	00-446286	Block – Bearing.....	1
7	00-444448	Standoff.....	1
8	00-446291	Cover – Roller Drive.....	1
9	SC-053-41	Mach. Screw 1/4-20 x 1/2 Slotted Truss Hd.....	1
10	SC-109-47	Cap Screw 1/4-20 x 7/8 Hex Hd.....	2
11	00-446288	Belt – Drive.....	1
12	00-446287	Pulley – Discharge Drive.....	1
13	00-446347	Cover – Sealer Drive.....	1