



CATALOG OF REPLACEMENT PARTS



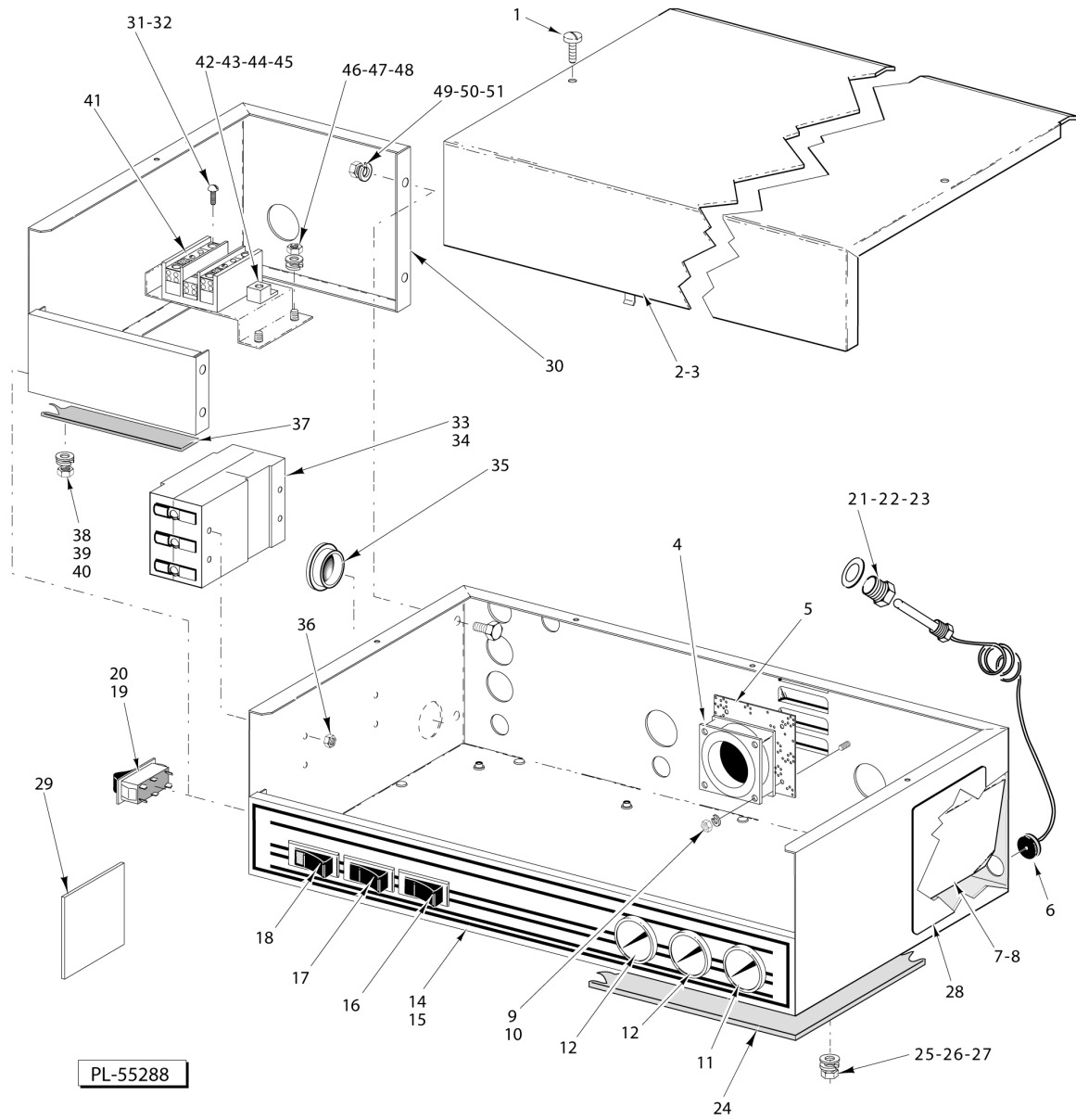
C64A SERIES DISHWASHERS

MODEL 64A SERIES DISWASHER

ML- 103908 (R-L)
ML- 103909 (L-R)

Table of Contents

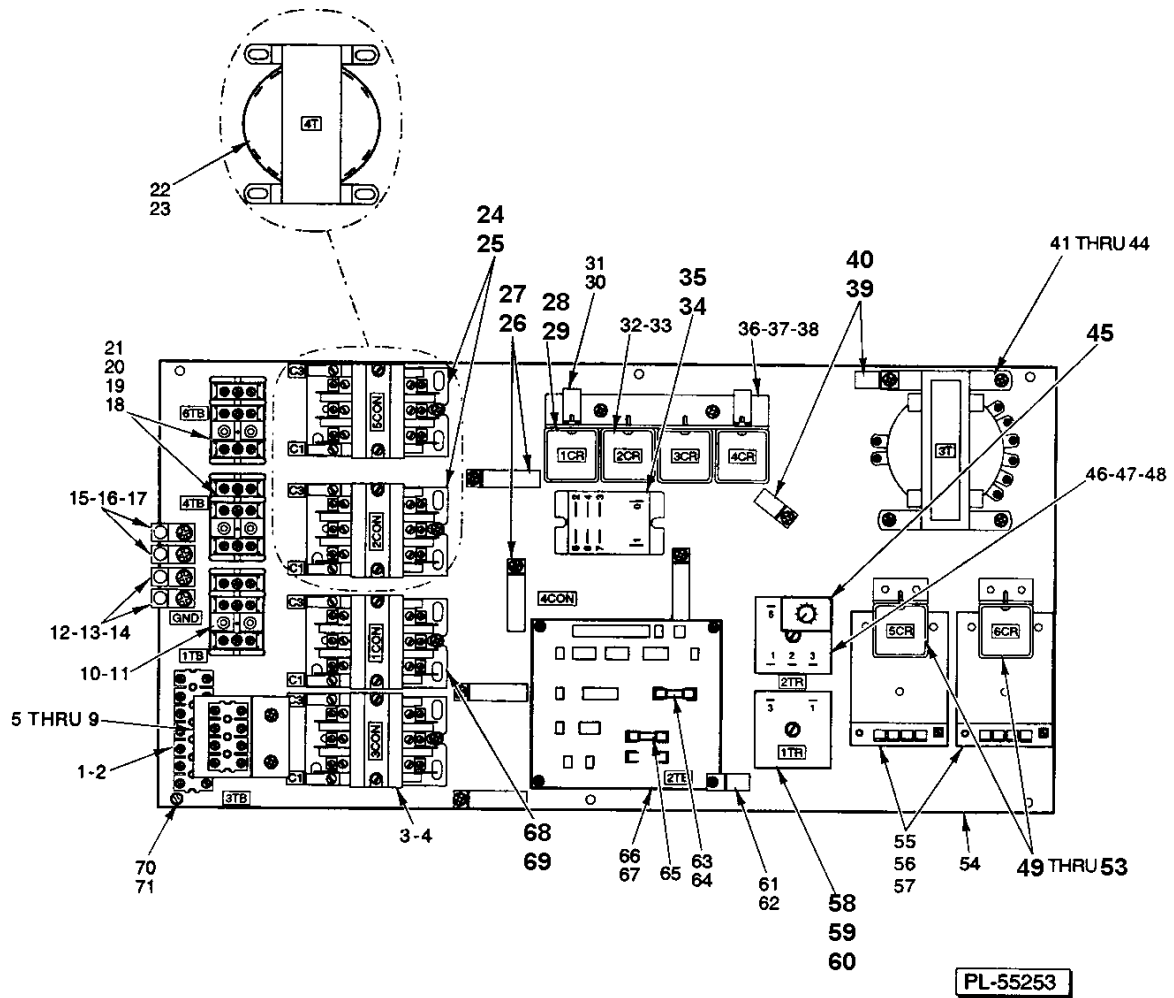
5	CONTROL BOX
7	COMPONENT PANEL (CONTROL BOX)
11	WASH MOTOR & PUMP UNITS(2 UNITS REQD)
13	UNIT / CONVEYOR DRIVE
17	TRACK & CRADLE (WASH/RINSE SECTION)
19	WASH ARMS & TUBES (WASH/RINSE SECTION)
21	FILL & OUTSIDE RINSE PIPING
25	INSIDE METALLIC RINSE PIPING
27	INSIDE RINSE PIPING (NON METALLIC)
29	ACTUATOR MECHANISM & RINSE DRAIN OFF PAN
31	DRAIN UNIT (WASH/RINSE SECTION)
33	DOORS, CURTAINS, BAFFLES, & STRAINERS
35	VENT HOOD
37	EXTENDED HOOD
39	MISCELLANEOUS (WASH/RINSE SECTION)
43	LOW WATER PROTECTION (STEAM HEAT/WASH & RINSE TANK)
45	ELECTRIC HEAT
47	GAS HEAT BURNERS, FLUES, & WIREWAYS
51	GAS HEAT COMPONENTS
55	STEAM COILS (2 UNITS REQD)
57	STEAM COIL PIPING
61	STEAM INJECTOR & PREVIOUS CONSTRUCTION STEAM COIL PIPING
65	STEAM INJECTOR HEAT (2 UNITS REQUIRED)
67	DISH RACKS
69	TABLE LIMIT SWITCH



CONTROL BOX

CONTROL BOX

ILLUS.	PART NO.	NAME OF PART	AMT.
PL-55288			
1	SC-053-05	Mach Screw 10-24 x 3/8 Truss Hd, Slotted.....	2
2	00-436755-1	Cover - Control Box (W/O Single Point Electrical Connection).....	1
3	00-437073-1	Cover - Control Box (W/Single Point Electrical Connection).....	1
4	00-355504-1	Fan (115 V).....	1
5	00-274884	Guard - Fan.....	1
6	00-274947	Grommet.....	1
7	00-328137	Shield.....	1
8	NS-031-15	Stop Nut 10-24 Hex (SST).....	2
9	WL-006-42	Lockwasher #6 Medium (SST).....	3
10	NS-011-07	Mach Nut 6-32 Hex.....	3
11	00-437041-00003	Thermometer (8 Ft.) (Final Rinse) Thermometer (8 Ft) (Final Rinse).....	1
12	00-437041-00004	Thermometer (11 Ft.) (Wash / Rinse).....	2
14	00-812854	Label - Control Box (W/O Conveyor Dwell).....	AR
15	00-812848	Label - Control Box (Conveyor Dwell).....	AR
16	00-087711-241-2	Switch - Rocker (DPDT) (Conveyor Dwell).....	1
17	00-087711-228-1	Switch - Rocker (Motor On/Off).....	1
18	00-087711-198-2	Switch - Rocker (Power On/Off).....	1
19	00-087711-241-2	Switch - Rocker (DPDT) (Timer).....	1
20	00-271840	Label - Timer.....	1
21	00-107218	Coupling - Thermometer Bulb.....	3
22	WS-012-40	Washer (SST).....	4
23	FP-053-05	Pipe Locknut 1/2 NPSL (SST).....	3
24	00-435072	Gasket.....	1
25	WS-022-01	Washer (SST).....	6
26	WL-006-17	Lockwasher 1/4 Helical (SST).....	6
27	NS-015-01	Nut 1/4 -20 Hex (SST).....	6
28	00-814161	Label - Instruction.....	1
29	00-329408	Label - Instruction (Gas Heat).....	1
30	00-437068	Control Box (Single Point Electrical Connection, Elec Heat Only).....	1
31	SC-021-24	Mach Screw 10-24 x 5/8 Rd Hd.....	4
32	NS-031-16	Stop Nut 10-24 "Elastic" (SST).....	4
33	00-276259-2	Circuit Breaker (20 Amp) (Used on 2240 V Machines).....	1
34	00-276259-4	Circuit Breaker (40 Amp) (Used on 380-480 V Machines).....	1
35	FE-024-13	Bushing - Electrical 2-1/2.....	1
36	NS-031-08	Stop Nut 8-32 "Special".....	4
37	00-526408	Tape - Foam.....	AR
38	WL-006-17	Lockwasher 1/4 Helical (SST).....	2
39	WS-017-06	Washer (SST).....	2
40	NS-015-01	Nut 1/4 -20 Hex (SST).....	2
41	00-119031	Block - Terminal.....	1
42	00-118544-2	Lug - Grounding.....	1
43	SC-021-23	Mach Screw 10-24 x 1/2 Rd Hd.....	1
44	WL-007-12	Lockwasher #10 External Shakeproof.....	1
45	NS-031-16	Stop Nut 10-24 "Elastic" (SST).....	1
46	WL-006-17	Lockwasher 1/4 Helical (SST).....	2
47	WS-022-01	Washer (SST).....	2
48	NS-015-01	Nut 1/4 -20 Hex (SST).....	2
49	NS-015-01	Nut 1/4 -20 Hex (SST).....	4
50	WL-006-17	Lockwasher 1/4 Helical (SST).....	4
51	SC-041-05	Cap Screw 1/4-20 x 5/8 Hex Hd.....	4
	FE-021-12	Plug - 1/2 Knockout (Plastic).....	AR
	FE-023-26	Plug - 1 Knockout (Plastic).....	AR



**COMPONENT PANEL
(CONTROL BOX)**

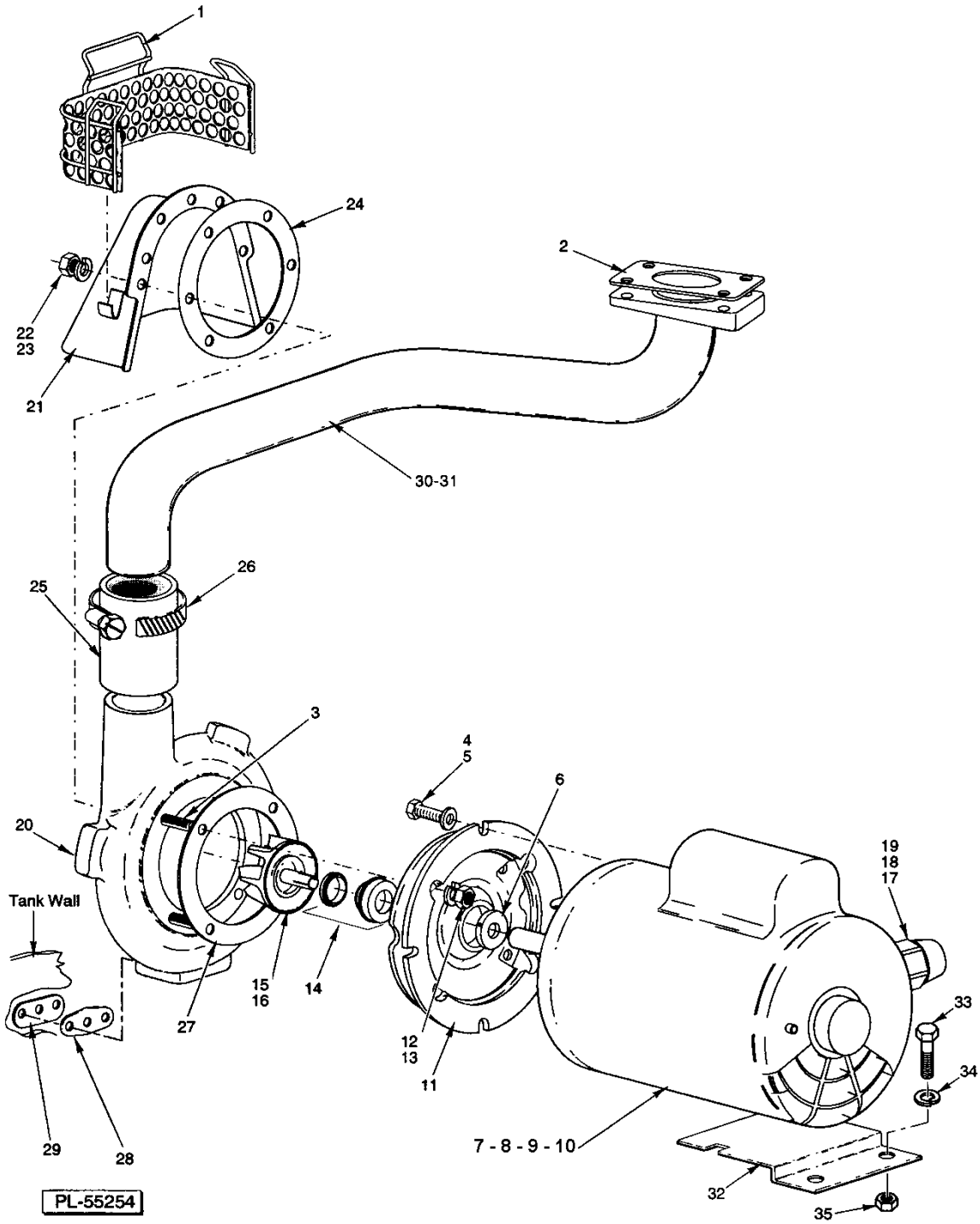
COMPONENT PANEL (CONTROL BOX)

ILLUS. PL-55253	PART NO.	NAME OF PART	AMT.
1	00-294325-013-5	Block - Terminal.....	1
2	SD-019-29	Self-Tapping Screw 6-20 x 1/2 Phil. Pan Hd., Type B.....	2
3	00-918322	Contactora (40 Amp., 3-Pole) Contactora (40 Amp.) (3 Pole) (Machines W/Conveyor Dwell).....	1
4	SD-008-25	Self-Tapping Screw 10-16 x 3/8 Phil. Bind Hd., Type B.....	2
5	00-294325-013-4	Block - Terminal (Machines W/Vent Fan Control).....	1
6	00-437101	Bracket - Vent Fan Control.....	1
7	SD-008-25	Self-Tapping Screw 10-16 x 3/8 Phil. Bind Hd., Type B.....	2
8	WL-014-07	Lockwasher #10 External Shakeproof (SST).....	2
9	SD-019-29	Self-Tapping Screw 6-20 x 1/2 Phil. Pan Hd., Type B.....	2
10	00-294325-015-1	Block - Terminal.....	1
11	SD-037-21	Self-Tapping Screw 8-32 x 1 Phil. Fil. Hd., Type F.....	2
12	00-118544-2	Lug - Grounding.....	2
13	SD-035-77	Self-Tapping Screw 1/4 -20 x 3/8 Phil. Pan Hd., Type TT.....	2
14	WL-007-15	Lockwasher 1/4 External Shakeproof.....	2
15	00-118544-2	Lug - Grounding (Electric Heat).....	2
16	SD-035-77	Self-Tapping Screw 1/4 -20 x 3/8 Phil. Pan Hd., Type TT.....	2
17	WL-007-15	Lockwasher 1/4 External Shakeproof.....	2
18	00-294325-015-1	Block - Terminal (200-240 V., 380-480 V., 3 Ph.) (Electric Heat).....	2
19	00-294325-004-1	Block - Terminal (Not Shown) (200-240 V., 1 Ph.) (Electric Heat).....	2
20	SD-037-21	Self-Tapping Screw 8-32 x 1 Phil. Fil Hd., Type F (Use with Item 18).....	4
21	SD-008-36	Self-Tapping Screw 8-18 x 7/8 Phil. Rd. Hd., Type B (Use with Item 19).....	4
22	00-294500-026-1	Transformer (75 VA) (Gas Heat).....	1
23	SD-008-25	Self-Tapping Screw 10-16 x 3/8 Phil. Bind Hd., Type B.....	4
24	00-918322	Contactora (40 Amp., 3-Pole).....	2
25	SD-008-25	Self-Tapping Screw 10-16 x 3/8 Phil. Bind Hd., Type B.....	4
26	00-294677-5	Clamp - Wire (1-1/2 I.D.).....	5
27	SD-008-25	Self-Tapping Screw 10-16 x 3/8 Phil. Bind Hd., Type B.....	5
28	00-205113-1	Relay 3 P.D.T. (1CR, 3CR, & 4CR).....	3
29	SD-019-29	Self-Tapping Screw 6-20 x 1/2 Phil. Pan Hd., Type B.....	6
30	00-294677-4	Clamp - Wire (1 I.D.).....	2
31	SD-008-25	Self-Tapping Screw 10-16 x 3/8 Phil. Bind Hd., Type B.....	2
32	00-205113-00001	Relay (3 P.D.T.).....	1
33	SD-019-29	Self-Tapping Screw 6-20 x 1/2 Phil. Pan Hd., Type B.....	2
34	00-087714-046-1	Contactora (Machines W/Vent Fan Control).....	1
35	SD-008-18	Self-Tapping Screw 8-18 x 3/8 Phil. Bind Hd., Type B.....	2
36	00-437103	Bracket.....	1
37	SD-008-25	Self-Tapping Screw 10-16 x 3/8 Phil. Bind Hd., Type B.....	2
38	WL-014-07	Lockwasher #10 External Shakeproof (SST).....	2
39	00-294677-4	Clamp - Wire (1 I.D.).....	3
40	SD-008-25	Self-Tapping Screw 10-16 x 3/8 Phil. Bind Hd., Type B.....	3
41	00-294500-046-1	Transformer (150 VA, 50/60 Hz.) Pilot Control.....	1
42	00-294500-046-2	Transformer (300 VA) Pilot Control.....	1
43	SD-008-25	Self-Tapping Screw 10-16 x 3/8 Phil. Bind Hd., Type B.....	4
44	WL-014-07	Lockwasher #10 External Shakeproof (SST).....	4
45	00-437070-1	Plug-On Module.....	1
46	00-087714-36	Relay Time Delay (Variable).....	1
47	SD-036-13	Self-Tapping Screw 1/4 -20 x 1-1/4 Slotted Hex Washer Hd., Type T.....	1
48	WL-007-15	Lockwasher 1/4 External Shakeproof.....	1
49	00-205113-1	Relay (3 P.D.T.).....	2
50	SD-019-29	Self-Tapping Screw 6-20 x 1/2 Phil. Pan Hd., Type B.....	4
51	00-437102	Bracket - Relay Mounting.....	2
52	SD-008-18	Self-Tapping Screw 10-16 x 3/8 Phil. Bind Hd., Type B.....	4
53	WL-014-05	Lockwasher #8 External Shakeproof (SST).....	4
54	00-435508	Base Plate.....	1
55	00-475458-00001	Thermostat - Solid State (120 V.).....	2

**COMPONENT PANEL
(CONTROL BOX)**

ILLUS. PL-55253	PART NO.	NAME OF PART	AMT.
56	SC-098-07	Mach. Screw 4-40 x 1-3/4 Rd. Hd. (SST).....	6
57	WS-028-12	Washer (Fiber).....	2
58	00-087714-031-2	Relay Time Delay (5 Sec.).....	1
59	SD-036-13	Self-Tapping Screw 1/4 -20 x 1-1/4 Slotted Hex Washer Hd., Type T.....	1
60	WL-007-15	Lockwasher 1/4 External Shakeproof.....	1
61	00-294677-3	Clamp - Wire.....	1
62	SD-019-31	Self-Tapping Screw 8-18 x 1/2 Phil. Pan Hd., Type B.....	1
63	FE-022-39	Fuse (1.5 Amp.) (250 V.).....	1
64	FE-021-19	Fuse (3.2 Amp.) (250 V.) (50 Hz. & 50/60 Hz. Machines W/Blower Dryer &/or Condenser).....	1
65	FE-023-80	Fuse (3.0 Amp.) (250 V.) (Gas Heat).....	1
66	00-294676	P.C.B. - Terminal & Fuse.....	1
67	SD-008-18	Self-Tapping Screw 8-18 x 3/8 Phil. Bind Hd., Type B.....	3
68	00-087713-041-2	Contactactor (40 Amp.) (3 Pole).....	1
69	SD-008-25	Self-Tapping Screw 10-16 x 3/8 Phil. Bind Hd., Type B.....	2
70	SC-053-05	Mach. Screw 10-24 x 3/8 Slotted Truss Hd. (SST).....	6
71	WL-007-12	Lockwasher #10 External Shakeproof.....	6

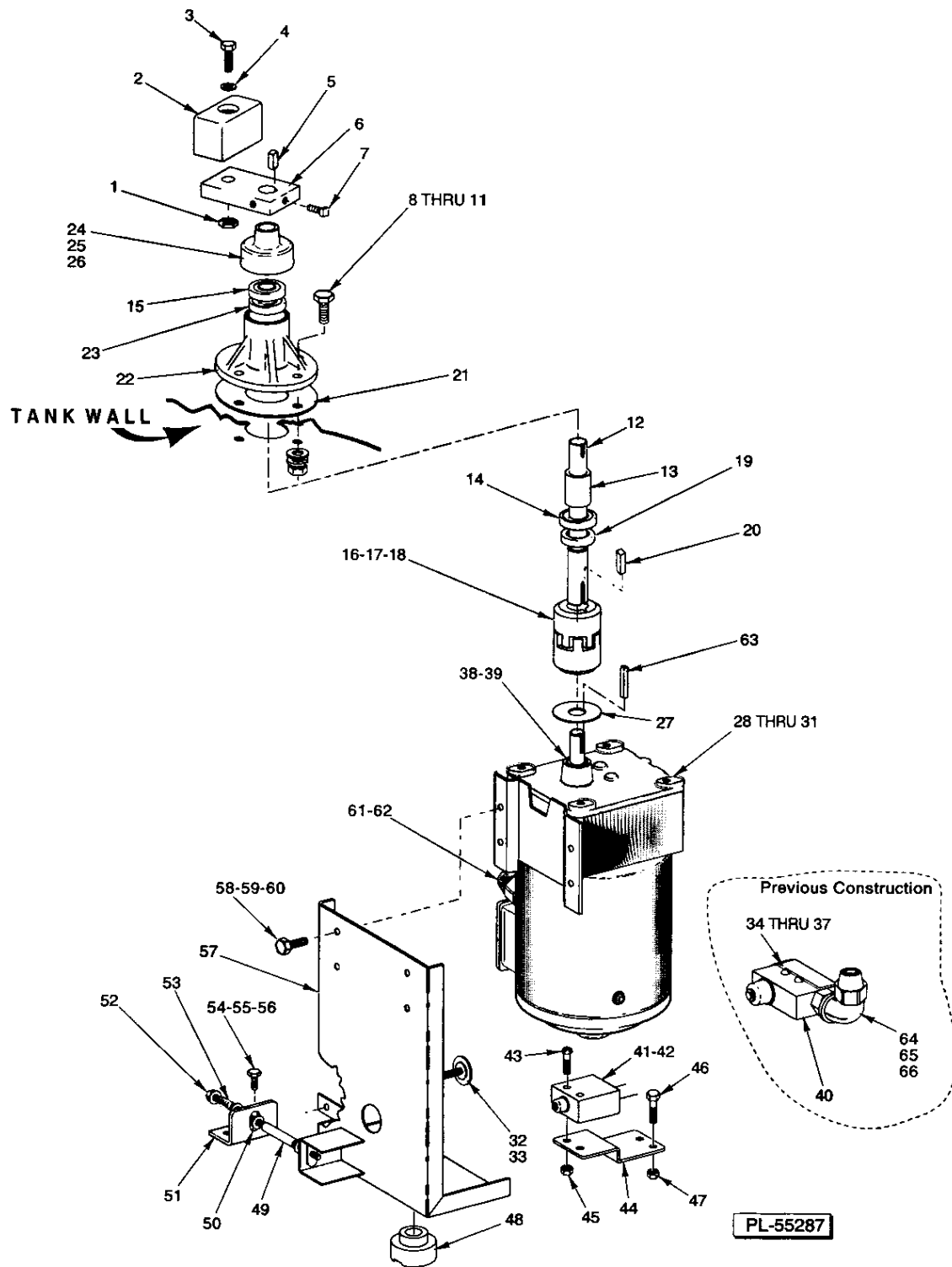
NOTES



WASH MOTOR & PUMP UNITS(2 UNITS REQD)

WASH MOTOR & PUMP UNITS(2 UNITS REQD)

ILLUS.	PART NO.	NAME OF PART	AMT.
PL-55254			
1	00-328362	Strainer - Pump.....	1
2	00-270968	Gasket - Wash Pipe.....	1
3	00-274227-5	Stud.....	AR
4	SC-041-29	Cap Screw 3/8 -16 x 7/8 Hex Hd. (SST).....	4
5	WS-006-44	Washer (SST).....	4
6	00-274227-2	Clamp.....	1
7	00-274230-1	Motor (1 Ph., 60 Hz.) (2 HP).....	1
8	00-274230-2	Motor (3 Ph., 60 Hz.) (2 HP).....	1
9	00-274230-3	Motor (1 Ph., 50 Hz.) (2 HP).....	1
10	00-274230-4	Motor (3 Ph., 50 Hz.) (2 HP).....	1
11	00-274227-3	Adapter.....	1
12	WL-006-22	Lockwasher 5/16 Light (SST).....	4
13	NS-015-11	Nut 5/16 -18 Hex.....	4
14	00-274227-6	Seal - Shaft.....	1
15	00-274227-12	Impeller & Sleeve (60 Hz.).....	1
16	00-274227-7	Impeller & Sleeve (50 Hz.).....	1
17	FE-024-61	Connector 45 Deg. (Non Metallic) "Sealtite" (1/2 Male Thd. x 1/2 Flex. Cnd.).....	AR
18	FE-024-57	Connector Straight (Non Metallic) "Sealtite" (1/2 Male Thd. x 1/2 Flex. Cnd.).....	AR
19	FE-008-10	1/2 Gasket Assy.....	1
20	00-274227-1	Pump Shell (Incls. Item 3).....	1
21	00-274246	Shroud.....	1
22	WL-006-23	Lockwasher 5/16 Helical (SST).....	10
23	NS-015-11	Nut 5/16 -18 Hex.....	10
24	00-119050	Gasket.....	1
25	00-749586	Hose - Discharge.....	1
26	00-542337	Clamp - Hose.....	2
27	00-274227-4	Gasket.....	1
28	00-119051	Gasket.....	2
29	00-812776	Support Plate.....	2
30	00-328411	Tube - Discharge (RH) (Shown).....	1
31	00-328409	Tube - Discharge (LH).....	1
32	00-812069	Bracket - Motor Support.....	1
33	SC-041-05	Cap Screw 1/4 -20 x 5/8 Hex Hd. (SST).....	2
34	WL-006-17	Lockwasher 1/4 Helical (SST).....	2
35	NS-015-01	Nut 1/4 -20 Hex (SST).....	2



UNIT / CONVEYOR DRIVE

UNIT / CONVEYOR DRIVE

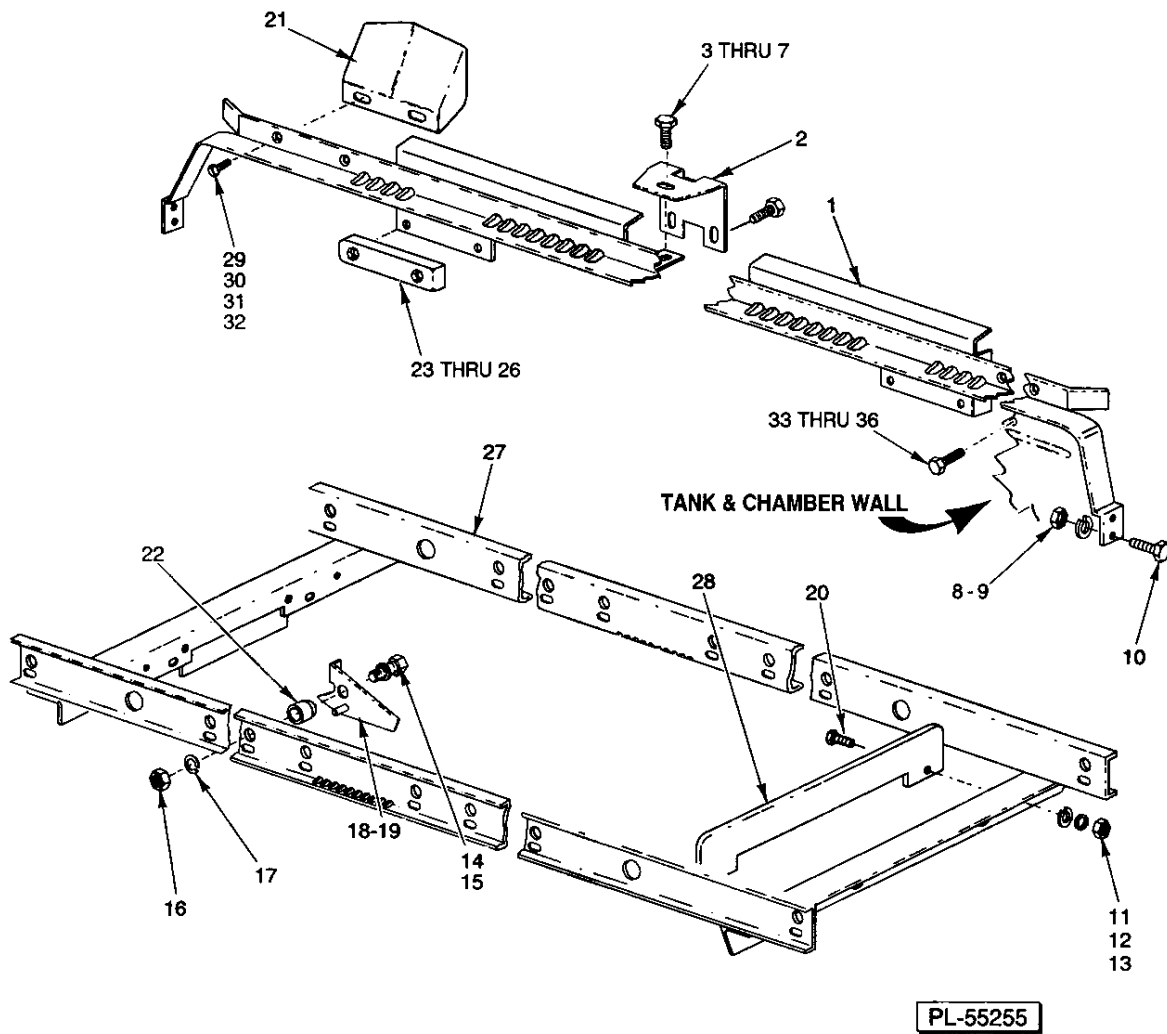
ILLUS.	PART NO.	NAME OF PART	AMT.
PL-55287			
1	NS-032-35	Stop Nut 5/16 -18 "Flexloc".....	1
2	00-474660	Slider - Crank Arm.....	1
3	SC-041-20	Mach. Screw 5/16 -18 x 2-1/8 Truss Hd.....	1
4	WS-005-32	Washer (SST).....	1
5	00-012430-39	Key 3/16 Sq. x 3/8 Lg.....	1
6	00-270943	Arm - Crank.....	1
7	SC-050-01	Set Screw 1/4 -20 x 1/2 Square Hd. Cup Pt.....	2
8	SC-041-13	Cap Screw 5/16 -18 x Hex Hd. (SST).....	4
9	WS-017-18	Washer (Lead).....	4
10	WL-006-23	Lockwasher 5/16 Helical (SST).....	4
11	NS-015-11	Nut 5/16 -18 Hex.....	4
12	00-270937	Shaft - Crank.....	1
13	00-436879	Spacer - Bearing.....	1
14	BB-021-19	Ball Bearing - Hoover NSK 6003.....	1
15	00-270940	Seal - Upper Housing.....	1
16	00-328083	Coupling - Motor.....	1
*17	00-274228-2	Insert - Coupling Service (Lovejoy).....	AR
*18	00-274228-1	Insert - Coupling Service (Browning).....	AR
19	00-270939	Seal - Lower Housing.....	1
20	00-012430-40	Key 3/16 Sq. x 3/4 Lg.....	1
21	00-270942	Gasket.....	1
22	00-274749	Housing Assy. (Incls. Items 12 thru 15,19,23,& 24).....	1
23	BB-021-19	Ball Bearing - Hoover NSK 6003.....	1
24	00-274748	Seal - Labyrinth.....	1
25	00-527042	Adhesive.....	AR
26	00-522696	Solvent.....	AR
27	00-474423	Flinger.....	1
28	00-437044-6	Motor - Conveyor Drive (200-230/460 V., 60 Hz.) (3 Ph.)(Incls. Items 38, 39, & 63).....	1
29	00-437044-7	Motor - Conveyor Drive (200-240 V., 60 Hz., 1 Ph.) (Incls. Items 38, 39, & 63).....	1
30	00-437044-8	Motor - Conveyor Drive (200-240 V., 50 Hz., 1 Ph.) (Incls. Items 38, 39, & 63).....	1
31	00-437044-9	Motor - Conveyor Drive (220-240/380-415 V., 50 Hz., 3 Ph.)(Incls. Items 38, 39, & 63).....	1
32	00-289256	Actuator - Switch.....	1
33	NS-032-33	Stop Nut 1/4 -28 "Flexloc".....	1
34	SC-027-24	Mach. Screw 6-32 x 1-1/2 Rd. Hd.....	2
35	WL-010-22	Lockwasher #6 External Shakeproof.....	2
36	WS-002-06	Washer (Brass).....	4
37	NS-010-06	Nut 6-32 Hex (Brass).....	2
38	00-328379-1	Seal - Oil (Output Shaft-Shown).....	1
39	00-328379-2	Seal - Oil (Motor Drive Shaft).....	1
40	00-087711-60-1	Switch - Interlock (Incls. Items 34 thru 37).....	1
41	00-087711-260	Switch - Interlock (Incls. Items 42 thru 46).....	1
42	FE-022-84	Strain Relief.....	1
43	SC-127-89	Mach. Screw 10-24 x 3/4 Phil. Rd. Hd. (SST).....	2
44	00-474488	Bracket - Switch.....	1
45	NS-031-16	Stop Nut 10-24 "Elastic" (SST).....	2
46	SC-067-05	Mach. Screw 8-32 x 1/2 Hex Hd. (SST).....	2
47	NS-031-08	Stop Nut 8-32 Hex (SST).....	2
48	00-270927	Pilot Bearing.....	1
49	00-271083	Spacer - Overload.....	1
50	WS-029-5	Washer.....	4
51	00-436017	Bracket - Overload.....	1
52	SC-120-72	Cap Screw 5/16 -18 x 4-1/2 Hex Hd.....	1
53	00-436952	Spring - Overload.....	1
54	SC-041-11	Cap Screw 5/16 -18 x 3/4 Hex Hd. (SST).....	2
55	WL-006-23	Lockwasher 5/16 Helical (SST).....	2

UNIT / CONVEYOR DRIVE

ILLUS.	PART NO.	NAME OF PART	AMT.
PL-55287			
56	NS-015-11	Nut 5/16 -18 Hex.....	2
57	00-328027	Bracket - Motor.....	1
58	SC-041-31	Cap Screw 3/8 -16 x 1-1/4 Hex Hd.....	4
59	WL-006-29	Lockwasher 3/8 Hi-Collar (SST).....	4
60	NS-015-13	Nut 3/8 -16 Hex (SST).....	4
61	FE-024-61	Connector 45 Deg. (Non Metallic) "Sealtite" (1/2 Male Thd. x 1/2 Flex. Cnd.).....	1
62	FE-024-65	Connector 90 Deg. (Non Metallic) "Sealtite" (1/2 Male Thd. x 1/2 Flex. Cnd.).....	1
63	00-274231-57	Key - 3/16 x 3/16 x 1-1/8 Lg.....	1
64	FE-024-57	Connector Straight (Non Metallic) "Sealtite" (1/2 Male Thd. x 1/2 Flex. Cnd.).....	1
65	FE-024-61	Connector 45 Deg. (Non Metallic) "Sealtite" (1/2 Male Thd. x 1/2 Flex. Cnd.).....	1
66	FE-008-10	1/2 Gasket Assy.....	1

* Parts must be matched with same vendor coupling.

NOTES

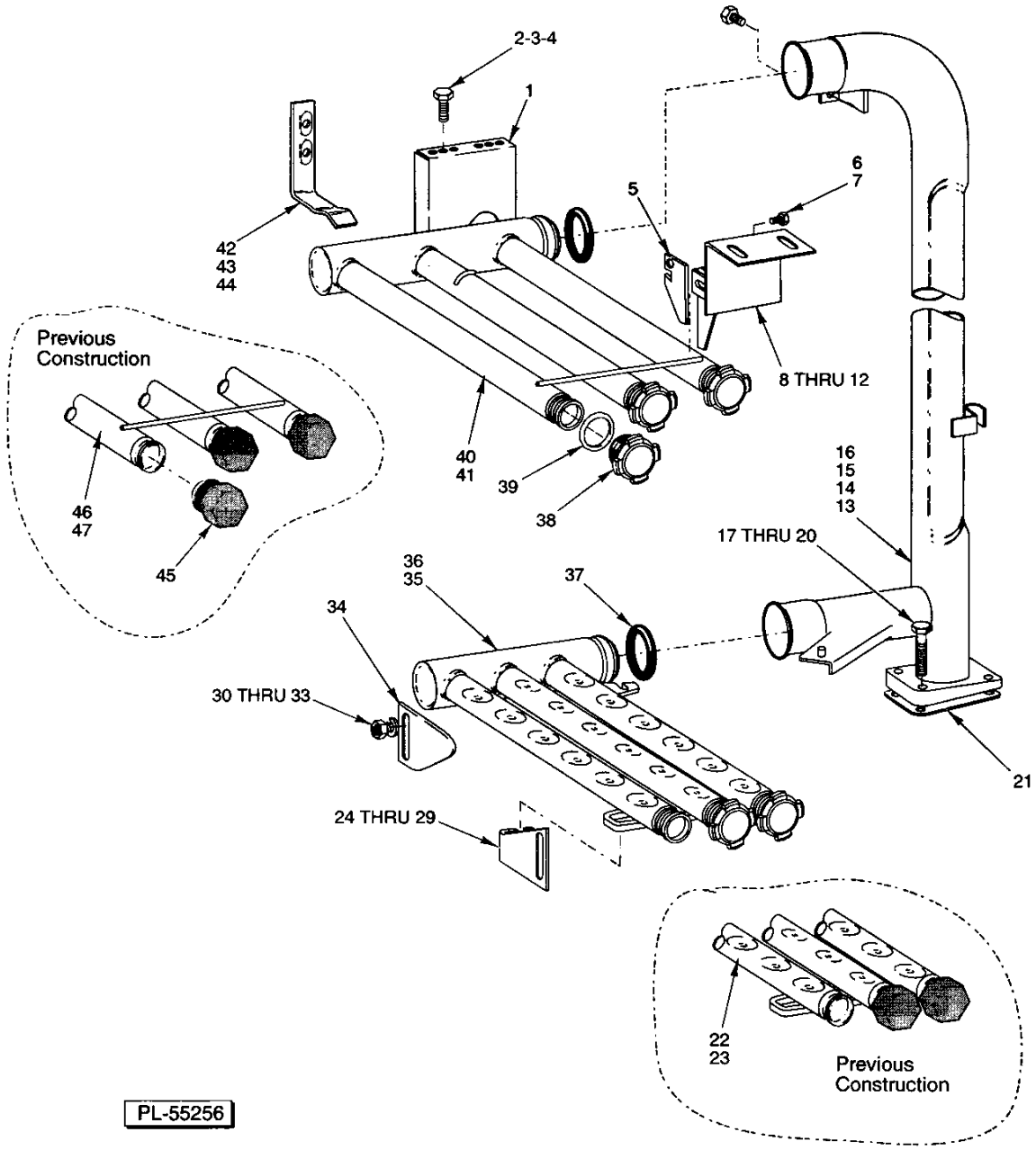


**TRACK & CRADLE
(WASH/RINSE SECTION)**

**TRACK & CRADLE
(WASH/RINSE SECTION)**

ILLUS. PL-55255	PART NO.	NAME OF PART	AMT.
1	00-435935-1	Rack Track.....	2
2	00-435975	Bracket - Track.....	2
3	SC-041-12	Cap Screw 5/16 -18 x 7/8 Hex Hd.....	6
4	WS-017-08	Washer (0.328 x 0.625 x 0.062) (SST).....	4
5	WS-017-01	Washer 0.328 x 0.875 x 0.062 (SST).....	4
6	WL-006-23	Lockwasher 5/16 Helical (SST).....	6
7	NS-015-11	Nut 5/16 -18 Hex.....	6
8	NS-015-11	Nut 5/16 -18 Hex.....	8
9	WL-006-23	Lockwasher 5/16 Helical (SST).....	8
10	SC-041-11	Cap Screw 5/16 -18 x 3/4 Hex Hd (SST).....	8
11	NS-015-11	Nut 5/16 -18 Hex.....	AR
12	WS-017-08	Washer (0.328 x 0.625 x 0.062) (SST).....	AR
13	WL-006-23	Lockwasher 5/16 Helical (SST).....	AR
*14	WS-018-04	Washer (SST).....	8
*15	SC-041-31	Cap Screw 3/8 -16 x 1-1/4 Hex Hd.....	8
*16	NS-046-09	Nut 3/8 -16 Hex (SST).....	8
*17	WL-006-28	Lockwasher 3/8 Helical (SST).....	8
*18	00-436704-1	Dog (Front, R-L) (Rear, L-R).....	4
*19	00-436704-2	Dog - Not Shown (Front, L-R) (Rear, R-L).....	4
20	SC-041-10	Cap Screw 5/16 -18 x 5/8 Hex Hd.....	AR
21	00-437047	Deflector - Silverware.....	AR
*22	00-270983	Spacer.....	8
23	00-473231	Slider - Large.....	4
24	SC-041-15	Cap Screw 5/16 -18 x 1-1/4 Hex Hd.....	8
25	WL-006-23	Lockwasher 5/16 Helical (SST).....	8
26	NS-015-11	Nut 5/16 -18 Hex.....	8
27	00-435938	Cradle.....	1
28	00-271012	Baffle - Cradle Upper.....	AR
29	SC-127-91	Mach Screw 1/4 -20 x 5/8 Flat Hd (SST).....	AR
30	WS-003-47	Washer (SST).....	AR
31	WL-006-17	Lockwasher 1/4 Helical (SST).....	AR
32	NS-015-01	Nut 1/4 -20 Hex (SST).....	AR
33	SC-041-11	Cap Screw 5/16 -18 x 3/4 Hex Hd (SST).....	14
34	WS-017-01	Washer 0.328 x 0.875 x 0.062 (SST).....	18
35	WL-006-23	Lockwasher 5/16 Helical (SST).....	18
36	NS-015-11	Nut 5/16 -18 Hex.....	18
	00-435937-1	Cradle & Dog Assy L-R (Standard Racks Only)(Incls Items 14 thru 19, 22, & 27).....	1
	00-435937-3	Cradle & Dog Assy R-L (Standard Racks Only)(Incls Items 14 thru 19, 22, & 27).....	1
	00-437057-1	Rack Track Assy (Incls Items 1 & 23 thru 26).....	2

* Quantities listed are for 20 x 20 racks

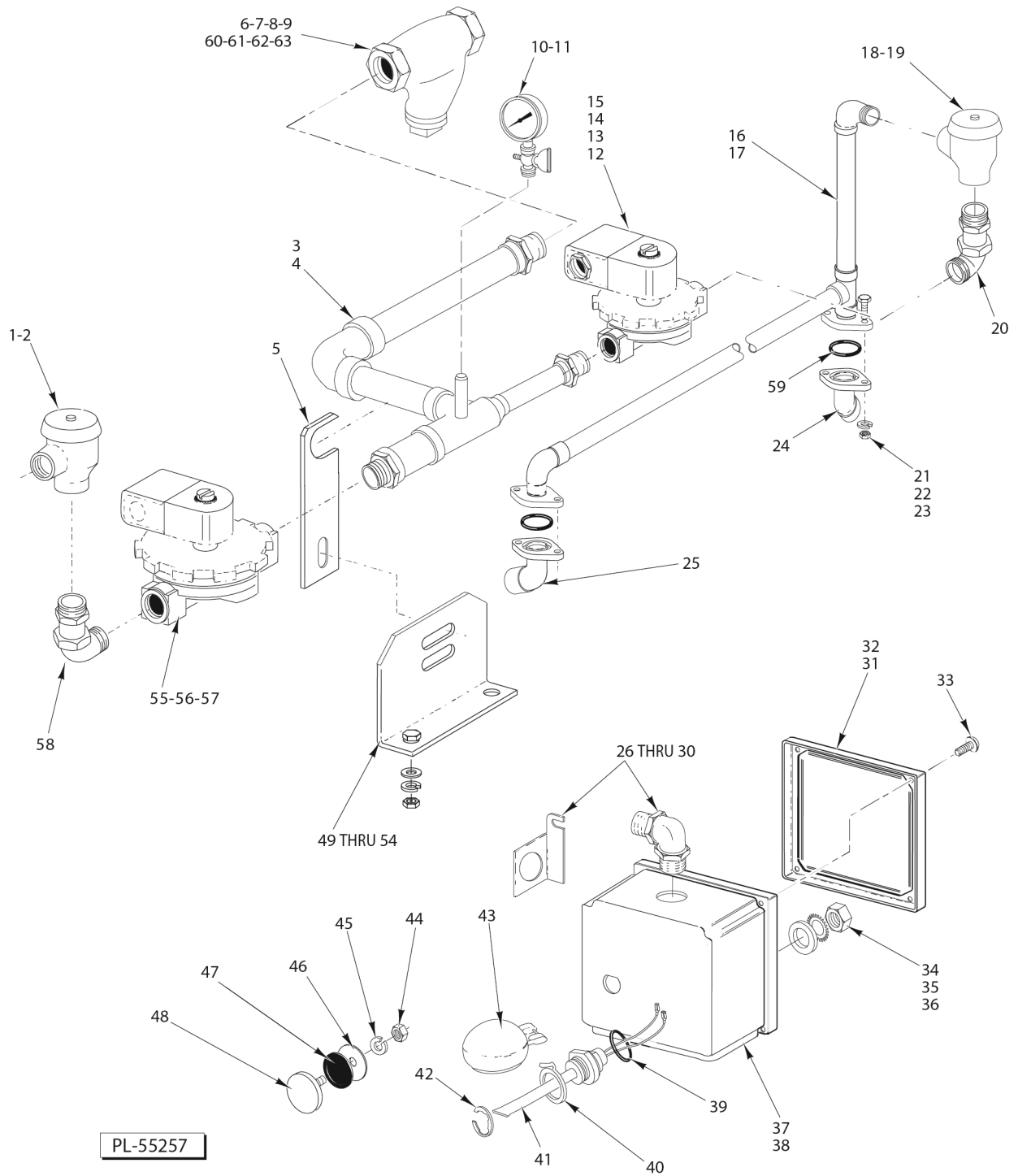


**WASH ARMS & TUBES
(WASH/RINSE SECTION)**

WASH ARMS & TUBES (WASH/RINSE SECTION)

ILLUS. PL-55256	PART NO.	NAME OF PART	AMT.
1	00-436007	Guide - Upper Wash Arm.....	2
2	SC-125-27	Mach Screw 5/16 -18 x 3/4 Truss Hd (SST).....	4
3	WS-017-01	Washer 0.328 x 0.875 x 0.062 (SST).....	4
4	NS-036-19	Stop Nut 5/16 -18 Hex.....	4
5	00-289760	Latch.....	2
6	SC-041-01	Cap Screw 1/4 -20 x 3/4 Hex Hd.....	4
7	NS-031-19	Stop Nut 1/4 -20 "Elastic" (SST).....	4
8	00-812819	Bracket.....	2
9	SC-053-17	Mach Screw 5/16 -18 x 3/4 Truss Hd (SST).....	4
10	WS-017-08	Washer (0.328 x 0.625 x 0.062) (SST).....	4
11	WL-006-23	Lockwasher 5/16 Helical (SST).....	4
12	NS-015-11	Nut 5/16 -18 Hex.....	4
13	00-435999	Wash Pipe (26-1/8 Door Height) (RH).....	1
14	00-435987	Wash Pipe (26-1/8 Door Height) (LH).....	1
15	00-437134	Wash Pipe (32-1/8 Door Height) (RH).....	1
16	00-437136	Wash Pipe (32-1/8 Door Height) (LH).....	1
17	SC-041-18	Cap Screw 5/16 -18 x 1-3/4 Hex Hd (SST).....	8
18	WS-017-08	Washer (0.328 x 0.625 x 0.062) (SST).....	16
19	WL-006-23	Lockwasher 5/16 Helical (SST).....	8
20	NS-015-11	Nut 5/16 -18 Hex.....	8
21	00-270968	Gasket - Wash Pipe.....	2
*22	00-436002	NLA - Obsolete--Wash Arm - Lower (RH) (Shown).....	1
*23	00-436000	Wash Arm - Lower (LH).....	1
24	00-436939-2	Catch - Adjustable (RH) (Shown).....	1
25	00-436939-1	Catch - Adjustable (LH).....	1
26	NS-015-11	Nut 5/16 -18 Hex.....	4
27	WL-006-23	Lockwasher 5/16 Helical (SST).....	4
28	WS-017-8	Washer.....	4
29	SC-041-11	Cap Screw 5/16 -18 x 3/4 Hex Hd (SST).....	4
30	SC-041-11	Cap Screw 5/16 -18 x 3/4 Hex Hd (SST).....	4
31	WL-006-23	Lockwasher 5/16 Helical (SST).....	4
32	WS-017-08	Washer (0.328 x 0.625 x 0.062) (SST).....	4
33	NS-015-11	Nut 5/16 -18 Hex.....	4
34	00-274222	Support - Adjustable.....	2
35	00-749416	Wash Arm - Lower (RH) (Shown).....	1
36	00-749415	Wash Arm - Lower (LH).....	1
37	00-067500-110	"O" Ring.....	4
38	00-475589	Plug - Wash Arm (Used With Items 35, 37, 43, & 44).....	12
39	00-067500-127	"O" Ring.....	12
40	00-749419	Wash Arm - Upper (RH) (Shown).....	1
41	00-749417	Wash Arm - Upper (LH).....	1
42	00-436947-1	Hanger.....	4
43	SC-041-50	Cap Screw 1/4 -20 x 1/2 Hex Hd.....	8
44	WL-006-17	Lockwasher 1/4 Helical (SST).....	8
45	00-475087	Plug - Wash Arm (Used With Items 22, 23, 46, & 47).....	12
*46	00-436945	NLA - Obsolete--Wash Arm - Upper (RH) (Shown).....	1
*47	00-436946	Wash Arm - Upper (LH).....	1

* Obsolete part number For replacement, use 35, 36, 40, or 41 with Items 38 & 39



FILL & OUTSIDE RINSE PIPING

FILL & OUTSIDE RINSE PIPING

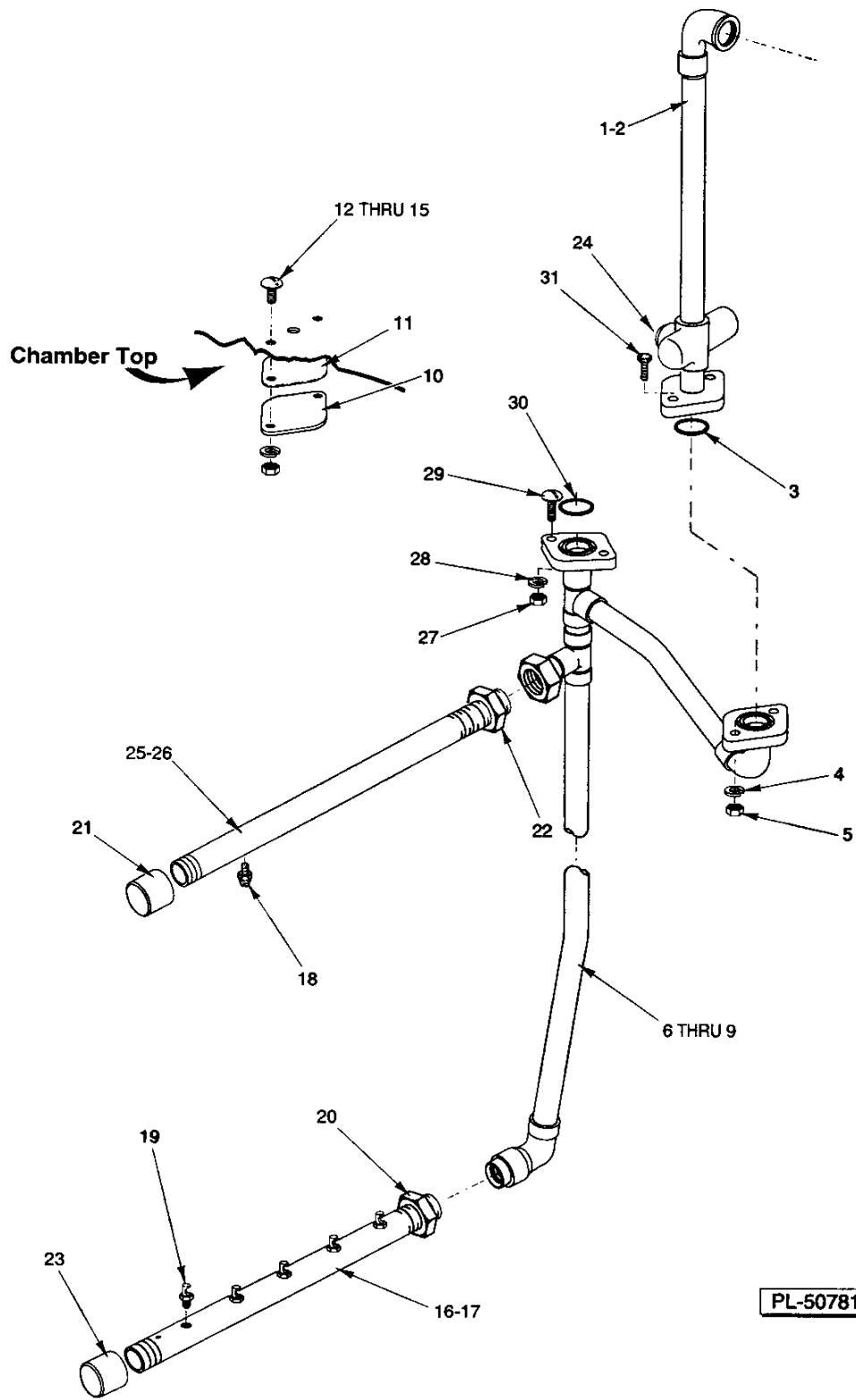
ILLUS.	PART NO.	NAME OF PART	AMT.
PL-55257			
1	00-277112	Vacuum Breaker.....	1
2	00-118270	Service Kit - Vacuum Breaker.....	1
3	00-812956-2	Piping Sub-Assy. (R-L).....	1
4	00-812956-1	Piping Sub-Assy. (L-R).....	1
5	00-435967	Plate - Fill Piping.....	1
*6	00-186922	Strainer - Line (3/4 In.) (Brass) (Kitz) (Incls. Items 8, 9, & 10) (Alternate to Item 60)	1
7	00-186923	Plug - Branch.....	1
8	00-186924	Gasket - Branch Plug.....	1
9	00-186925	Screen - Line Strainer.....	1
10	00-328247	Pressure Gauge - Water.....	1
11	00-436319	Petcock 1/4	1
12	00-435968-1	Solenoid Valve 1/2 (115 V.) (Incls. Item 13).....	1
13	00-271839-1	Coil - Solenoid Valve.....	1
14	FE-024-57	Connector Straight (Non Metallic) "Sealtite" (1/2 Male Thd. x 1/2 Flex. Cnd.).....	2
15	FE-024-61	Connector 45 Deg. (Non Metallic) "Sealtite" (1/2 Male Thd. x 1/2 Flex. Cnd.).....	2
16	00-329831-2	Fill Piping - Outside (R-L).....	1
17	00-329831-1	Fill Piping - Outside (L-R).....	1
18	00-292909-2	Vacuum Breaker 1/2.....	1
19	00-292910	Vacuum Breaker Float & Seal Assy.....	1
20	00-329829	Adapter & Elbow Weldment 1/2	1
21	SC-041-15	Cap Screw 5/16 -18 x 1-1/4 Hex Hd.....	4
22	WL-006-23	Lockwasher 5/16 Helical (SST).....	4
23	NS-015-11	Nut 5/16 -18 Hex.....	4
24	00-435972-2	Piping - Inside (RH).....	1
25	00-435972-1	Piping - Inside (LH).....	1
26	WL-013-16	Lockwasher 5/16 Internal Shakeproof (C64A Machines).....	1
27	00-436718	Ground Strap (C64A Machines).....	1
28	FE-006-37	Elbow 90 Deg. Short (1/2 Male Thd. x 1/2 Thinwall) (C64A Machines).....	2
29	FE-008-10	1/2 Gasket Assy. (C64A Machines).....	2
30	FE-006-07	Lock Nut 1/2 (Cnd.) (C64A Machines).....	2
31	00-112007	Gasket (C64A Machines).....	1
32	00-288465	Lid & Gasket Assy. (Incls. Item 58)(C64A Machines).....	1
33	SD-012-20	Self-Tapping Screw 8-32 x 1/2 Phil. Truss Hd., Type T(C64A Machines).....	4
34	NS-018-28	Jam Nut 1/2 -20 Hex Fin(C64A Machines).....	1
35	WL-014-31	Lockwasher 1/2 External Shakeproof (SST)(C64A Machines).....	1
36	WS-010-40	Washer - Thrust (C64A Machines).....	1
37	00-270926	Junction Box - Auto Fill (RH) (R-L)(C64A Machines) (C64A Machines).....	1
38	00-436026	Junction Box - Auto Fill (LH) (L-R)(C64A Machines)(C64A Machines).....	1
39	00-067500-72	"O" Ring (C64A Machines).....	1
40	00-112467	Retainer - Float (C64A Machines).....	1
41	00-271622	Probe & Switch Assy. (2 Wire) (Water Level) (C64A Machines).....	1
42	RR-010-13	Retaining Ring.(C64A Machines).....	1
43	00-122674	Float Assy.(C64A Machines).....	1
44	NS-015-01	Nut 1/4 -20 Hex (SST).....	AR
45	WL-006-17	Lockwasher 1/4 Helical (SST).....	AR
46	WS-003-47	Washer (SST).....	AR
47	00-067500-31	"O" Ring.....	AR
48	00-119244	Cap & Stud Assy.....	AR
49	00-435974	Bracket - Fill Piping.....	1
50	SC-041-12	Cap Screw 5/16 -18 x 7/8 Hex Hd.....	2
51	SC-041-11	Cap Screw 5/16 -18 x 3/4 Hex Hd. (SST).....	2
52	WS-029-05	Washer 0.328 x 0.750 x 0.062 (SST).....	6
53	WL-006-23	Lockwasher 5/16 Helical (SST).....	4
54	NS-015-11	Nut 5/16 -18 Hex.....	4
55	00-271002-01	Solenoid Valve 3/4 (115 V.) (Incls. Items 56 & 57).....	1

FILL & OUTSIDE RINSE PIPING

ILLUS.	PART NO.	NAME OF PART	AMT.
PL-55257			
56	00-271838	Service Kit - Solenoid Valve.....	1
57	00-271839-01	Coil - Solenoid Valve.....	1
58	00-328764	Adapter & Elbow Weldment.....	1
59	00-067500-12	"O" Ring.....	4
*60	00-186922	Strainer - Line (3/4 In.) (Brass) (Apollo / Conbraco) (Incls. Items 81, 62, & 63) (Alternate to Item 6).....	1
61	00-749802-00001	Cap.....	1
62	00-749802-00002	Gasket.....	1
63	00-749802-00003	Screen (80 Mesh).....	1
64	00-065890-85	Line - Splice (C64A Machines).....	2

* Kitz line strainer is approx. 1/4" shorter than Apollo / Conbraco.

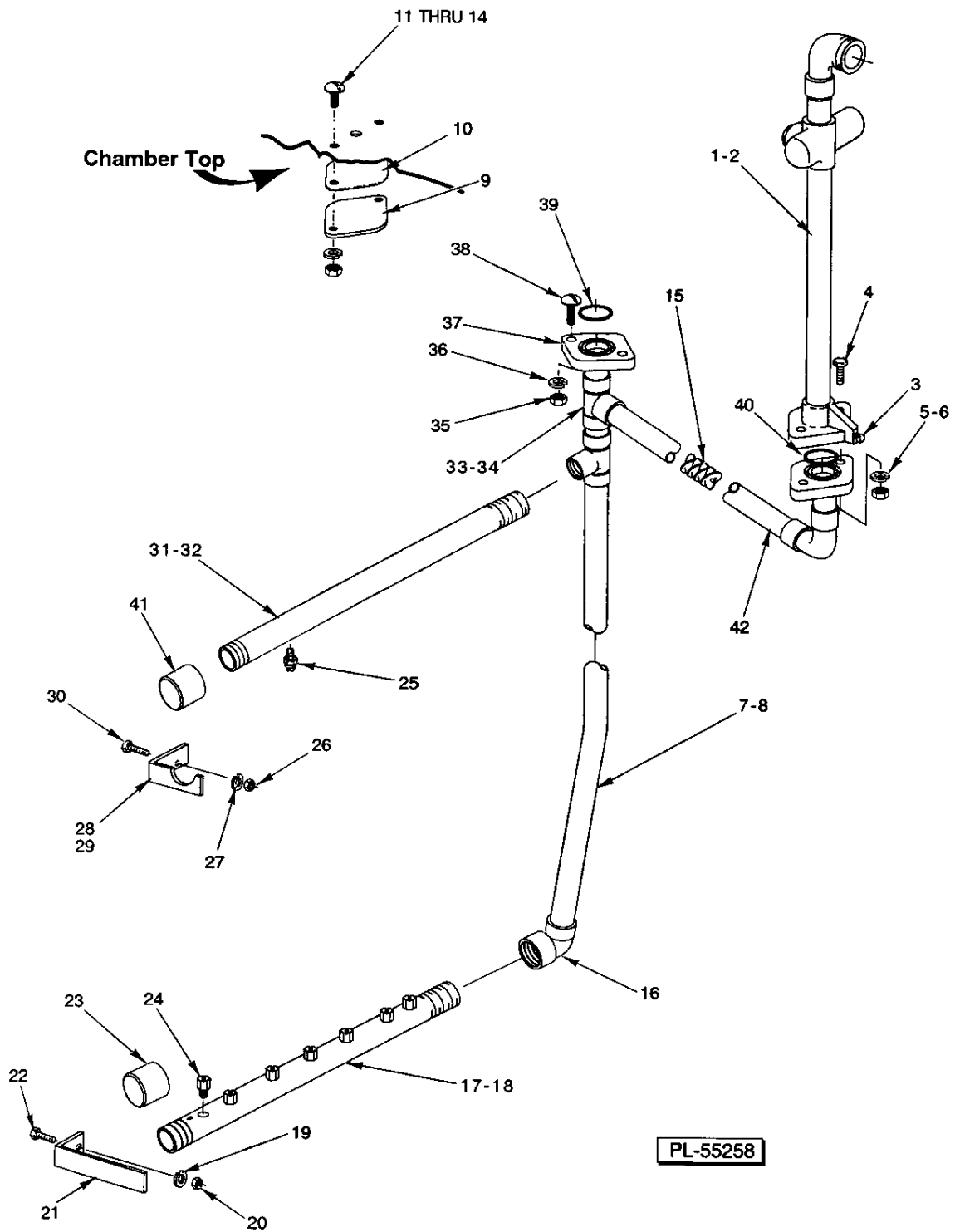
NOTES



INSIDE METALLIC RINSE PIPING

INSIDE METALLIC RINSE PIPING

ILLUS.	PART NO.	NAME OF PART	AMT.
PL-50781			
1	00-329610-1	Final Rinse Outside Piping (R-L).....	1
2	00-329610-2	Final Rinse Outside Piping (L-R).....	1
3	00-067500-12	"O" Ring.....	2
4	WL-006-23	Lockwasher 5/16 Helical (SST).....	2
5	NS-015-11	Nut 5/16 -18 Hex.....	2
6	00-435979-1	Final Rinse Inside Piping (R-L) (26 1/8 Door Height).....	1
7	00-435979-2	Final Rinse Inside Piping (L-R) (26 1/8 Door Height).....	1
8	00-437132-1	Final Rinse Inside Piping (R-L) (32 1/8 Door Height).....	1
9	00-437132-2	Final Rinse Inside Piping (L-R) (32 1/8 Door Height).....	1
10	00-122402-2	Flange.....	1
11	00-276407	Gasket - Rinse Pipe.....	1
12	SC-053-16	Mach Screw 5/16 -18 x 5/8 Truss Hd.....	2
13	SC-053-15	Mach Screw 5/16 -18 x 1/2 Truss Hd (SST).....	2
14	WL-006-23	Lockwasher 5/16 Helical (SST).....	4
15	NS-015-11	Nut 5/16 -18 Hex.....	4
16	00-271027-1	Lower Rinse Arm (R-L) 5 Nozzles (Incls Items 19, 20, & 23).....	1
17	00-271027-2	Lower Rinse Arm (L-R) 5 Nozzles (Incls Items 19, 20, & 23).....	1
18	00-81812	Nozzle - Rinse (Brass0) (0.078 Dia Orifice).....	6
19	00-022731-3	Nozzle - Rinse (SST) #50 Drill (0.070).....	5
20	FP-030-27	Lock Nut 1/2 NPSL Pipe (Brass).....	1
21	FP-029-08	Pipe Cap 1/2 (Brass).....	1
22	FP-030-27	Lock Nut 1/2 NPSL Pipe (Brass).....	1
23	FP-029-08	Pipe Cap 1/2 (Brass).....	1
24	FP-028-03	Pipe Plug 1/8 Sq Hd (Brass).....	1
25	00-271088-1	Upper Rinse Arm (R-L) 6 Nozzles (Incls Items 18, 21, & 22).....	1
26	00-271088-2	Upper Rinse Arm (L-R) 6 Nozzles (Incls Items 18, 21, & 22).....	1
27	NS-015-11	Nut 5/16 -18 Hex.....	2
28	WL-006-23	Lockwasher 5/16 Helical (SST).....	2
29	SC-053-18	Mach Screw 5/16 -18 x 7/8 Truss Hd (SST).....	2
30	00-67500-12	"O" Ring.....	1
31	SC-041-15	Cap Screw 5/16 -18 x 1 1/4 Hex Hd.....	2



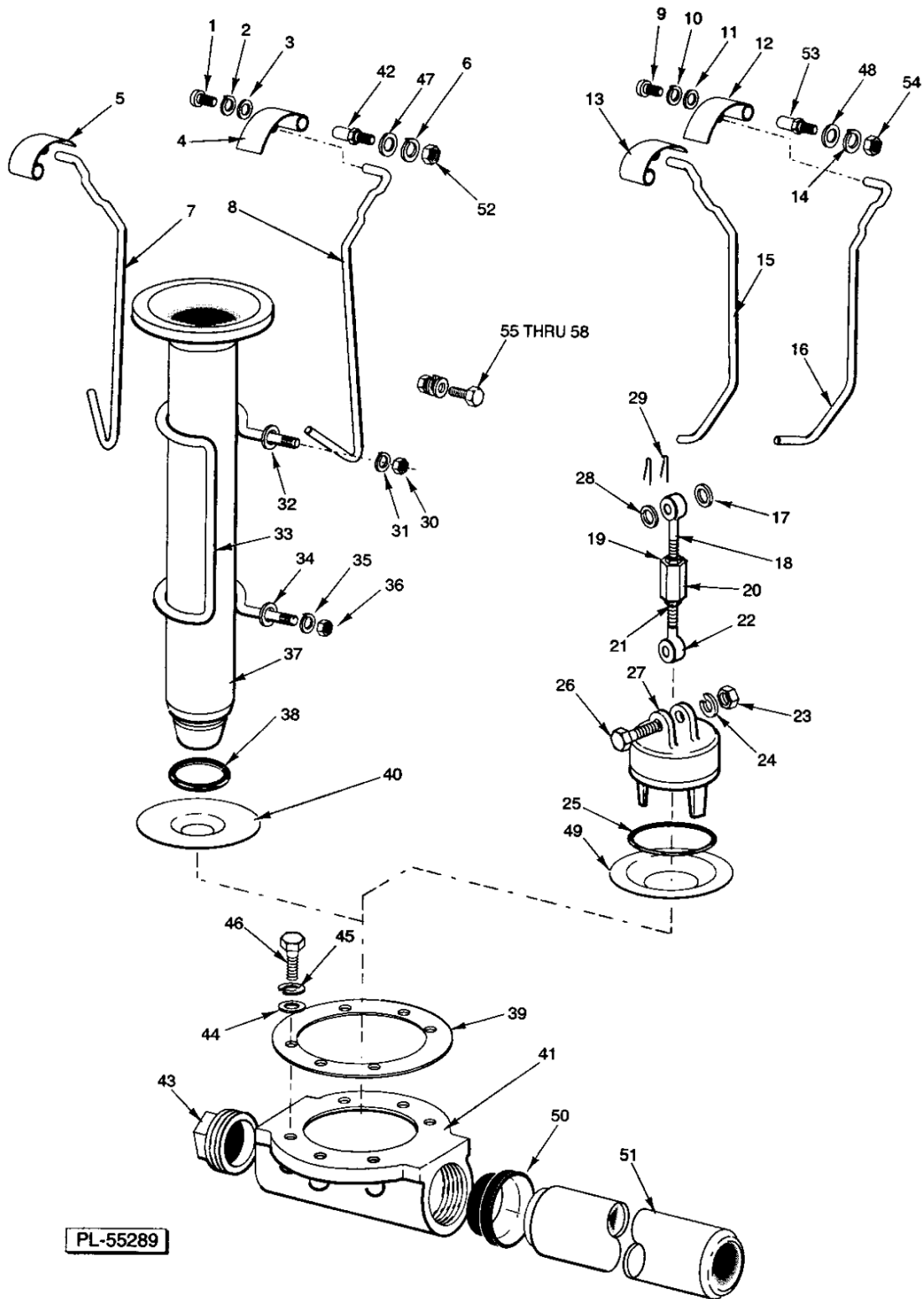
**INSIDE RINSE PIPING
(NON METALLIC)**

**INSIDE RINSE PIPING
(NON METALLIC)**

ILLUS. PL-55258	PART NO.	NAME OF PART	AMT.
1	00-329608-1	Final Outside Rinse Piping (R-L).....	1
2	00-329608-2	Final Outside Rinse Piping (L-R).....	1
3	FP-028-03	Pipe Plug 1/8 Sq Hd (Brass).....	2
4	SC-041-15	Cap Screw 5/16 -18 x 1 1/2 Hex Hd.....	2
5	WL-006-23	Lockwasher 5/16 Helical (SST).....	2
6	NS-015-11	Nut 5/16 -18 Hex.....	2
7	00-274708	Tube - Inside Rinse (32 1/8 Door Height).....	1
8	00-274536	Tube - Inside Rinse (26 1/8 Door Height).....	1
9	00-122402-2	Flange.....	1
10	00-276407	Gasket - Rinse Pipe.....	1
11	SC-053-16	Mach Screw 5/16 -18 x 5/8 Truss Hd.....	2
12	SC-053-15	Mach Screw 5/16 -18 x 1/2 Truss Hd (SST).....	2
13	WL-006-23	Lockwasher 5/16 Helical (SST).....	4
14	NS-015-11	Nut 5/16 -18 Hex.....	4
15	00-435070	Mixer - Spiral.....	1
16	00-185781	Elbow - 1/2 x 90 Deg (PVC).....	2
17	00-476504-1	Lower Rinse Arm (R-L) 7 Nozzles (Incls Items 23 & 24).....	1
18	00-476504-2	Lower Rinse Arm (L-R) 7 Nozzles (Incls Items 23 & 24).....	1
19	WL-006-16	Lockwasher 1/4 Helical (SST).....	2
20	NS-015-01	Nut 1/4 -20 Hex (SST).....	2
21	00-274570	Bracket.....	1
22	SC-128-05	Mach Screw 1/4 -20 x 1/2 Fil Hd (SST).....	2
23	00-276380-2	Cap - Lower Rinse Arm.....	1
24	00-476369	Nozzle - Rinse (SST) #50 Drill (0.070).....	7
25	00-081812-2	Nozzle - Rinse (SST) (0.078 Dia Orifice).....	6
26	NS-015-01	Nut 1/4 -20 Hex (SST).....	2
27	WL-006-16	Lockwasher 1/4 Helical (SST).....	2
28	00-274532-1	Bracket (R-L).....	1
29	00-274532-2	Bracket (L-R).....	1
30	SC-024-06	Mach Screw 1/4 -20 x 1/2 Fil Hd (SST).....	2
31	00-274535-1	Upper Rinse Arm (R-L) 6 Nozzles (Incls Items 25 & 41).....	1
32	00-274535-2	Upper Rinse Arm (L-R) 6 Nozzles (Incls Items 25 & 41).....	1
33	FP-085-51	Tee 1/2 x 1/2 x 1/2 NPT Schedule 80 PVC.....	2
34	00-274531-2	Tube (1 1/4 Lg).....	1
35	NS-015-11	Nut 5/16 -18 Hex.....	2
36	WL-006-23	Lockwasher 5/16 Helical (SST).....	2
37	00-274533	Flange.....	2
38	SC-053-18	Mach Screw 5/16 -18 x 7/8 Truss Hd (SST).....	2
39	00-067500-12	"O" Ring.....	1
40	00-067500-12	"O" Ring.....	2
41	00-276380-2	Cap - Upper Rinse Arm.....	1
42	00-274531-3	Tube - Inside Rinse 15 1/8 Lg.....	1

ACTUATOR MECHANISM & RINSE DRAIN OFF PAN

ILLUS. PL-55259	PART NO.	NAME OF PART	AMT.
1	00-436027	Actuator (L-R).....	1
2	00-436955	Actuator (R-L).....	1
3	WS-029-05	Washer 0.328 x 0.750 x 0.062 (SST).....	2
4	NS-036-19	Stop Nut 5/16 -18.....	2
5	WL-006-23	Lockwasher 5/16 Helical (SST).....	2
6	WS-017-08	Washer (0.328 x 0.625 x 0.062) (SST).....	2
7	NS-031-50	Stop Nut 6-32 Hex (SST).....	2
8	WS-003-49	Washer 0.266 x 0.563 x 0.062 (SST).....	2
9	WL-006-17	Lockwasher 1/4 Helical (SST).....	2
10	NS-015-01	Nut 1/4 Hex (SST).....	2
11	00-329579-5	Rinse Pan Assy (L-R).....	1
12	00-329579-6	Rinse Pan Assy (R-L).....	1
13	00-812922-1	Strainer.....	1
14	00-270996	Insulator - Switch.....	1
15	NS-031-50	Stop Nut 6-32 Hex (SST).....	2
16	00-892896	Kit - Service Reed Switch.....	1
17	00-290160	Magnet (Dot Not Visible).....	1
18	00-290159	Retainer - Magnet.....	1
19	SC-127-26	Mach. Screw 6-32 x 3/8 Rd Hd (SST).....	2

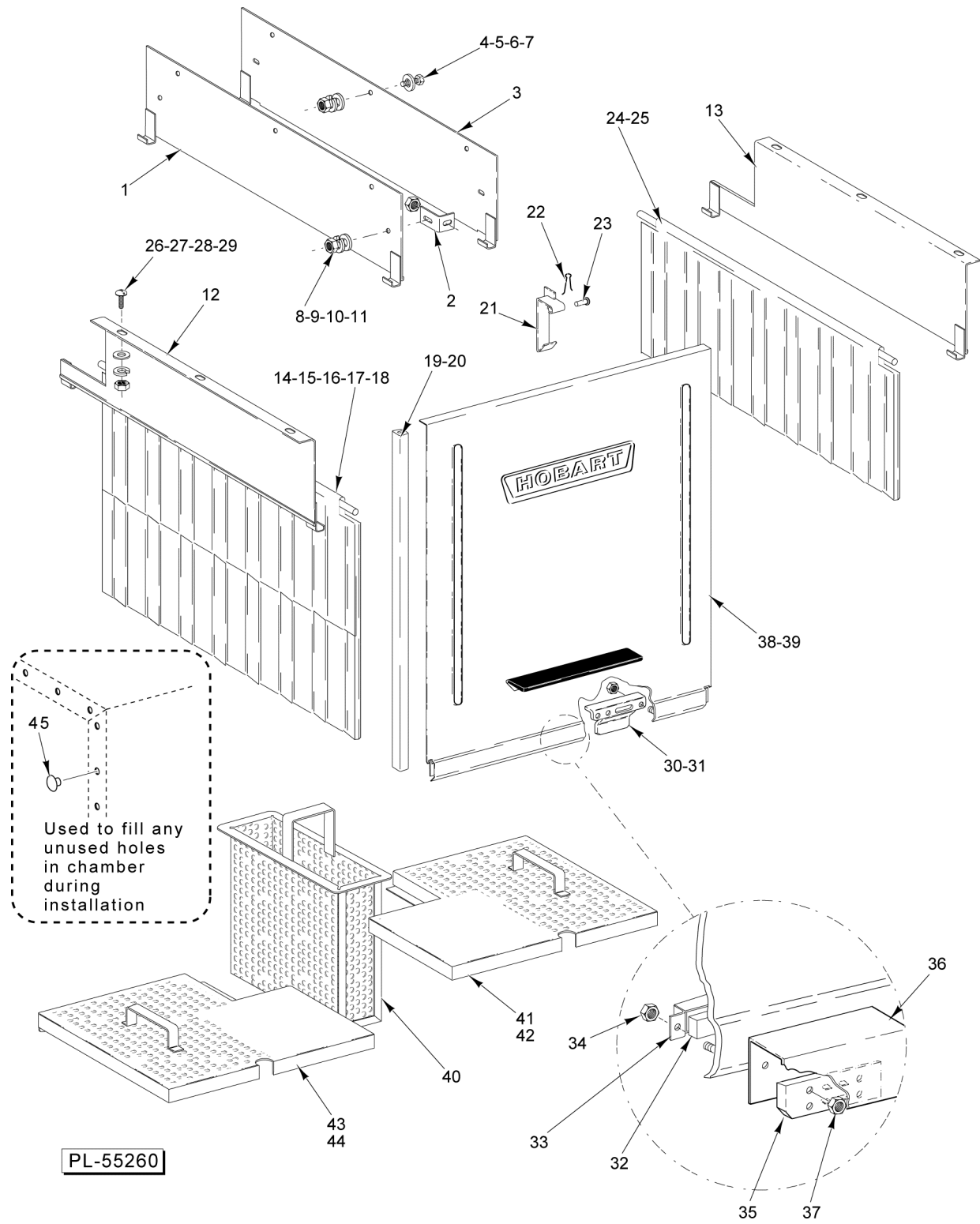


**DRAIN UNIT
(WASH/RINSE SECTION)**

DRAIN UNIT (WASH/RINSE SECTION)

ILLUS. PL-55289	PART NO.	NAME OF PART	AMT.
1	SC-021-22	Mach Screw 10-24 x 3/8 Rd Hd (SST).....	2
2	WL-006-07	Lockwasher #10 Helical (SST).....	2
3	WS-023-34	Washer (SST).....	2
4	00-271070	Drain Lever (RH).....	1
5	00-274096	Drain Lever (LH).....	1
6	WL-006-17	Lockwasher 1/4 Helical (SST).....	2
7	00-436953	Lift Rod Overflow (LH).....	1
8	00-436954	Lift Rod Overflow (RH).....	1
*9	SC-021-22	Mach Screw 10-24 x 3/8 Rd Hd (SST).....	2
*10	WL-006-07	Lockwasher #10 Helical (SST).....	2
*11	WS-023-34	Washer (SST).....	2
*12	00-271070	Drain Lever (RH).....	1
*13	00-274096	Drain Lever (LH).....	1
*14	WL-006-17	Lockwasher 1/4 Helical (SST).....	2
*15	00-436961	Lift Rod - Drain (LH).....	1
*16	00-436962	Lift Rod - Drain (RH).....	1
*17	WS-017-08	Washer (0.328 x 0.625 x 0.062) (SST).....	2
*18	00-065958	Pull Rod.....	2
*19	NS-018-06	Jam Nut 5/16-18 Hex Fin.....	2
*20	00-016269	Nut - Pull Rod Adjustor.....	2
*21	NS-018-06	Jam Nut 5/16-18 Hex Fin.....	2
*22	00-065958	Pull Rod.....	2
*23	NS-015-11	Nut 5/16-18 Hex (SST).....	2
*24	WL-006-23	Lockwasher 5/16 Helical (SST).....	2
*25	00-067500-00118	O-Ring "O" Ring.....	2
*26	SC-041-17	Cap Screw 5/16-18 x 1 1/2 Hex Hd (SST).....	2
*27	00-077466	Plug - Drain.....	2
*28	WS-017-08	Washer (0.328 x 0.625 x 0.062) (SST).....	2
*29	PC-005-02	Cotter Pin 1/16 x 1/2 (SST).....	4
30	NS-015-11	Nut 5/16 -18 Hex.....	4
31	WL-006-23	Lockwasher 5/16 Helical (SST).....	2
32	WS-017-01	Washer 0.328 x 0.875 x 0.062 (SST).....	4
33	00-270952-2	Retainer.....	2
34	WS-017-01	Washer 0.328 x 0.875 x 0.062 (SST).....	4
35	WL-006-23	Lockwasher 5/16 Helical (SST).....	2
36	NS-015-11	Nut 5/16 -18 Hex.....	4
37	00-119099-2	Tube - Overflow.....	2
38	00-067500-120	"O" Ring.....	2
39	00-289464	Gasket - Drain.....	2
40	00-270947	Sleeve - Drain Body.....	2
41	00-289465	Drain Body.....	2
42	00-119116	Axle - Drain Lever.....	2
43	FP-028-32	Pipe Plug 2 Sq Hd.....	1
44	WS-006-44	Washer (SST).....	12
45	WL-006-28	Lockwasher 3/8 Helical (SST).....	12
46	SC-041-30	Cap Screw 3/8 -16 x 1 Hex Hd (SST).....	12
47	WS-022-01	Washer (SST).....	2
*48	WS-022-01	Washer (SST).....	2
*49	00-106283	Sleeve - Drain Valve Body.....	1
50	00-328813	Bushing - Drain.....	2
51	00-274132-5	Drain Pipe - Wash/Rinse Section.....	1
52	NS-015-01	Nut 1/4 -20 Hex (SST).....	2
*53	00-119116	Axle - Drain Lever.....	2
*54	NS-015-01	Nut 1/4 -20 Hex (SST).....	2
55	SC-041-11	Cap Screw 5/16 -18 x 3/4 Hex Hd (SST).....	AR
56	WS-017-01	Washer 0.328 x 0.875 x 0.062 (SST).....	AR
57	WL-006-23	Lockwasher 5/16 Helical (SST).....	AR
58	NS-015-11	Nut 5/16 -18 Hex.....	AR

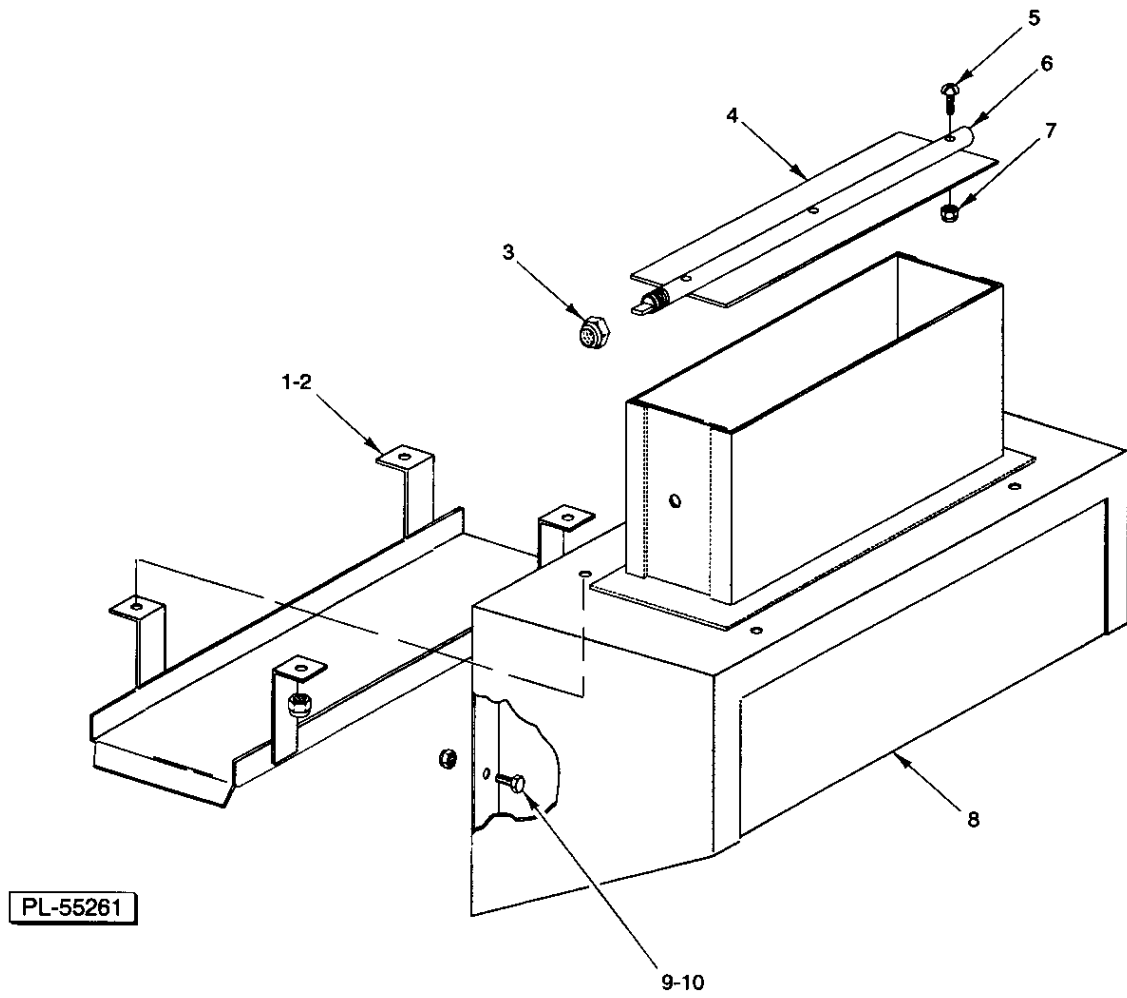
* Use in wash/rinse tank on machines with RS or PW



DOORS, CURTAINS, Baffles, & STRAINERS

DOORS, CURTAINS, BAFFLES, & STRAINERS

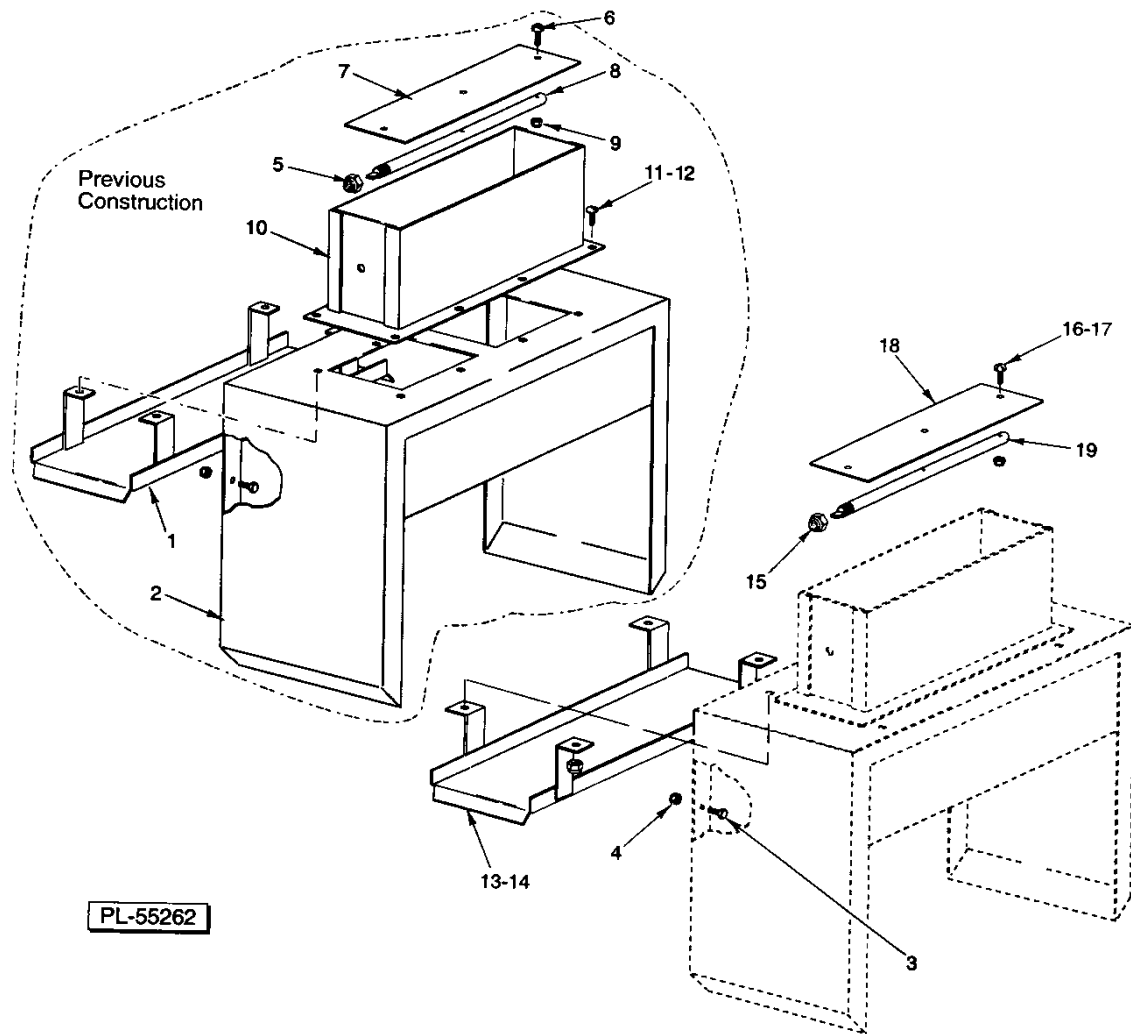
ILLUS.	PART NO.	NAME OF PART	AMT.
PL-55260			
1	00-435963-00001	Baffle - Center.....	1
2	00-289828	Bracket.....	2
3	00-435962-00001	Baffle - Center.....	1
4	SC-041-05	Cap Screw 1/4-20 x 5/8 Hex Hd. (SST).....	10
5	WS-003-49	Washer 0.266 x 0.563 x 0.062 (SST).....	13
6	WL-006-17	Lockwasher 1/4 Helical (SST).....	11
7	NS-015-01	Nut 1/4-20 Hex (SST).....	11
8	SC-041-05	Cap Screw 1/4-20 x 5/8 Hex Hd. (SST).....	2
9	WS-022-01	Washer (SST).....	2
10	WL-006-17	Lockwasher 1/4 Helical (SST).....	2
11	NS-015-01	Nut 1/4-20 Hex (SST).....	2
12	00-436959-00001	Baffle - Final Rinse (R-L).....	1
13	00-435982-00001	Baffle - Final Rinse (L-R).....	1
14	00-271084	Splash Curtain (26-1/8 Door Height).....	4
15	00-271084-00002	Splash Curtain (32-1/8 Door Height).....	4
16	00-120266-00001	Curtain Rod.....	4
17	00-120152-00055	Splash Curtain Assy. (26-1/8 Door Height) (Incls. Items 14 & 16).....	AR
18	00-120152-00056	Splash Curtain Assy. (32-1/8 Door Height) (Incls. Items 15 & 16).....	AR
19	00-112378-00049	Door Slide (26-1/8 Door Height).....	4
20	00-112378-00050	Door Slide (32-1/8 Door Height).....	4
21	00-185864	Catch - Door.....	2
22	PC-005-02	Cotter Pin 1/16 x 1/2 (SST).....	2
23	00-012114	Pin.....	2
24	00-120151-00001	Splash Curtain (10-C1).....	1
25	00-120266-00001	Curtain Rod.....	1
26	SC-053-42	Mach. Screw 1/4-20 x 5/8 Slotted Truss Hd. (SST).....	6
27	WS-022-01	Washer (SST).....	6
28	WL-006-17	Lockwasher 1/4 Helical (SST).....	6
29	NS-015-01	Nut 1/4-20 Hex (SST).....	6
30	00-328065	Actuator - Lift Drain.....	2
31	NS-031-21	Stop Nut 1/4-20 Hex (SST).....	4
32	00-290160	Magnet.....	2
33	00-290159	Retainer - Magnet.....	2
34	NS-031-50	Stop Nut 6-32 Hex (SST).....	4
35	00-892896	Kit - Service Reed Switch.....	2
36	00-270996	Insulator - Switch.....	2
37	NS-031-50	Stop Nut 6-32 Hex (SST).....	4
38	00-328064-00007	Door (26-1/8).....	1
39	00-328079-00007	Door (32-1/8).....	1
40	00-271100	Bucket - Strainer.....	2
41	00-435941	Strainer - Front (RH).....	1
42	00-436034	Strainer - Rear (RH) (Not Shown).....	1
43	00-435943	Strainer - Front (LH).....	1
44	00-435939	Strainer - Rear (LH) (Not Shown).....	1
45	00-289082	Kit - Plug (Incls. 30 Plugs & RTV).....	AR



VENT HOOD

VENT HOOD

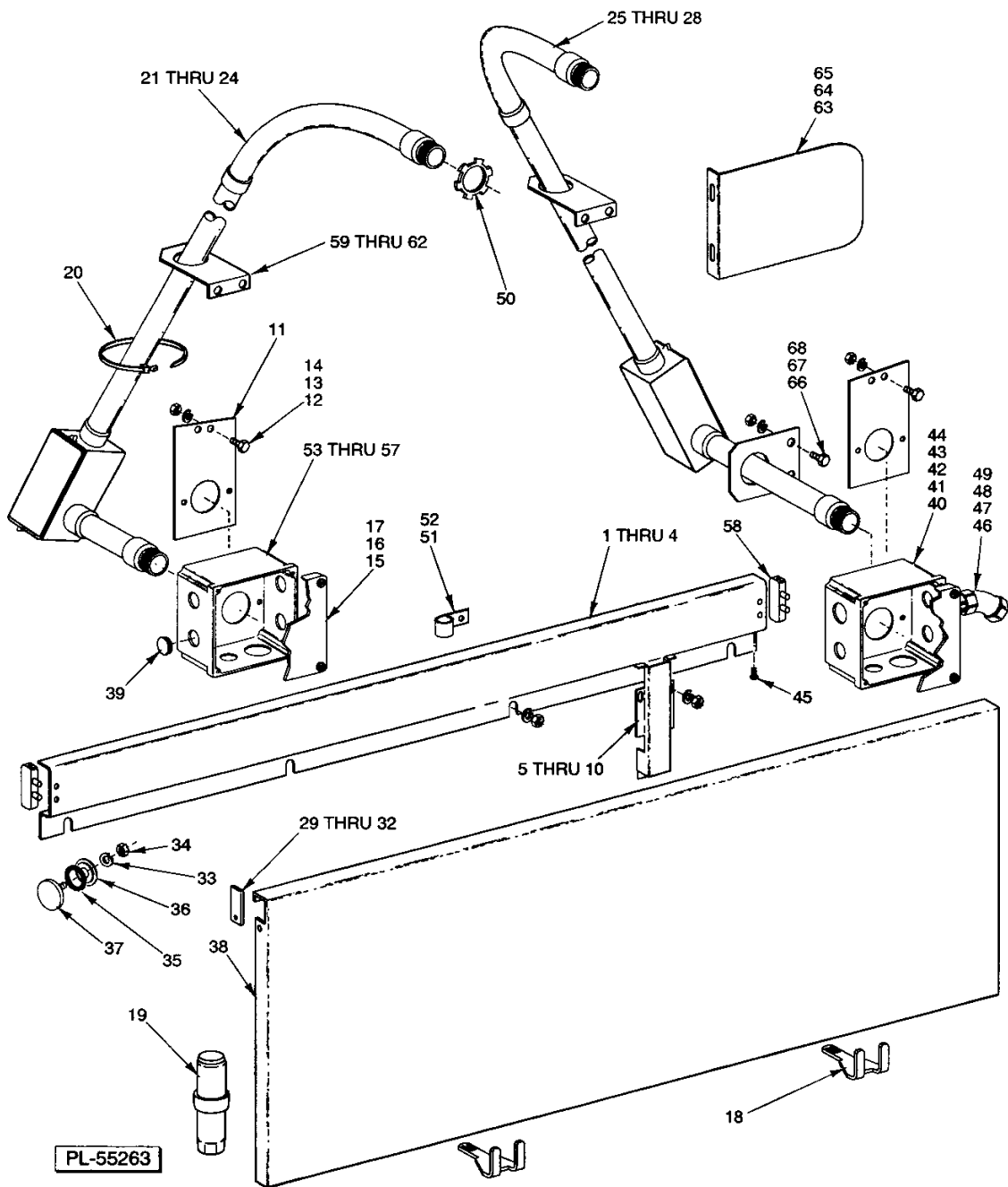
ILLUS.	PART NO.	NAME OF PART	AMT.
PL-55261			
1	00-435799	Drip Shield Assy.....	1
2	NS-031-15	Stop Nut 10-24 Hex (SST).....	4
3	NS-036-12	Stop Nut 3/8 -24 "Elastic".....	1
4	00-75623	Damper - Vent Stack.....	1
5	SC-125-25	Mach Screw 6-32 x 3/4 Rd Hd (SST).....	3
6	00-064919	Shaft - Damper.....	1
7	NS-031-50	Stop Nut 6-32 Hex (SST).....	3
8	00-435794-1	Vent Hood Assy (Incls Items 1 thru 7).....	1
9	SC-041-05	Cap Screw 1/4 -20 x 5/8 Hex Hd.....	11
10	NS-031-19	Stop Nut 1/4 -20 "Elastic"(SST).....	11



EXTENDED HOOD

EXTENDED HOOD

ILLUS.	PART NO.	NAME OF PART	AMT.
PL-55262			
1	00-080553	Drip Shield Assy.....	1
2	00-079463-2	Extended Hood Assy.....	1
3	SC-041-05	Cap Screw 1/4 -20 x 5/8 Hex Hd.....	13
4	NS-031-19	Stop Nut 1/4 -20 "Elastic" (SST).....	13
5	NS-036-12	Stop Nut 3/8 -24 "Elastic".....	1
6	SC-125-25	Mach Screw 6-32 x 3/4 Rd Hd (SST).....	3
7	00-075623	Damper - Vent Stack.....	1
8	00-064919	Shaft - Damper.....	1
9	NS-031-50	Stop Nut 6-32 Hex (SST).....	3
10	00-075621	Vent Stack Assy.....	1
11	SC-053-02	Mach Screw 10-24 x 1/2 Truss Hd (SST).....	8
12	NS-031-15	Stop Nut 10-24 "Elastic" (SST).....	8
13	00-435799	Drip Shield Assy.....	1
14	NS-031-15	Stop Nut 10-24 Hex (SST).....	4
15	NS-036-12	Stop Nut 3/8 -24 "Elastic".....	1
16	SC-125-25	Mach Screw 6-32 x 3/4 Rd Hd (SST).....	3
17	NS-031-50	Stop Nut 6-32 Hex (SST).....	3
18	00-075623	Damper - Vent Stack.....	1
19	00-064919	Shaft - Damper.....	1



**MISCELLANEOUS
(WASH/RINSE SECTION)**

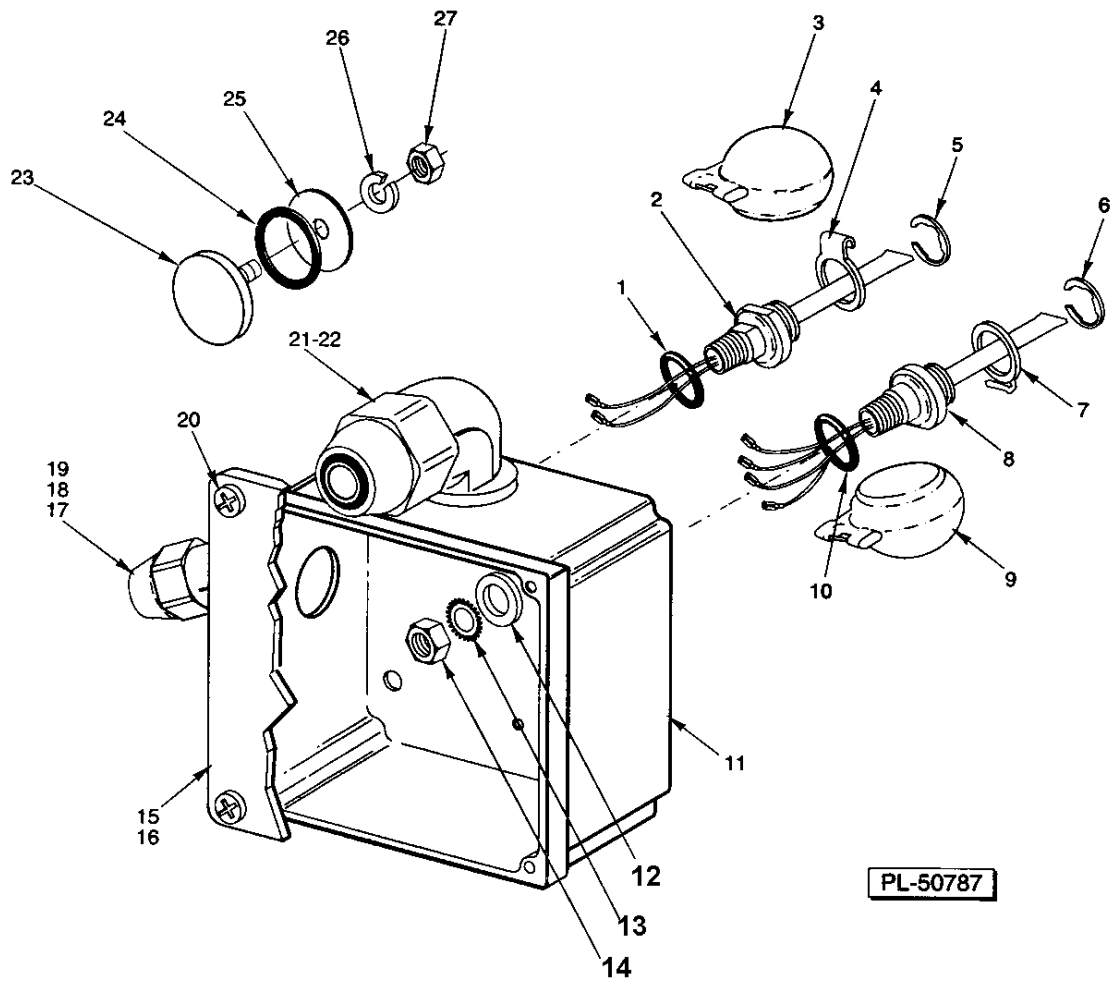
**MISCELLANEOUS
(WASH/RINSE SECTION)**

ILLUS.	PART NO.	NAME OF PART	AMT.
	PL-55263		
1	00-436032	Wireway - Horizontal.....	1
2	WS-017-06	Washer (SST).....	4
3	WL-006-17	Lockwasher 1/4 Helical (SST).....	4
4	NS-015-01	Nut 1/4 -20 Hex (SST).....	4
5	00-271055	Wireway - Vertical.....	1
6	SC-021-22	Mach Screw 10-24 x 3/8 Rd Hd (SST).....	1
7	WL-006-07	Lockwasher #10 Helical (SST).....	1
8	WS-017-06	Washer (SST).....	2
9	WL-006-17	Lockwasher 1/4 Helical (SST).....	2
10	NS-015-01	Nut 1/4 -20 Hex (SST).....	2
11	00-436024	Plate - Junction Box Support.....	2
12	SC-041-11	Cap Screw 5/16 -18 x 3/4 Hex Hd (SST).....	4
13	WL-006-23	Lockwasher 5/16 Helical (SST).....	4
14	NS-015-11	Nut 5/16 -18 Hex.....	4
15	00-288465	Lid & Gasket Assy (Incls Item 16).....	2
16	00-112007	Gasket.....	2
17	SD-012-20	Self-Tapping Screw 8-32 x 1/2 Phil Truss Hd, Type T.....	8
18	00-271061	Support.....	2
19	00-288946-2	Foot - Adjustable.....	4
20	00-122577-2	Wire Tie.....	6
21	00-436941	Conduit - PVC (26 1/8 Door Height) (LH) (Electric and Steam Heat).....	1
22	00-437131	Conduit - PVC (32 1/8 Door Height) (LH) (Electric and Steam Heat).....	1
23	00-328470-1	Conduit - PVC (26 1/8 Door Height) (LH) (Gas Heat).....	1
24	00-328470-2	Conduit - PVC (32 1/8 Door Height) (LH) (Gas Heat).....	1
25	00-436037	Conduit - PVC (26 1/8 Door Height) (RH) (Electric and Steam Heat).....	1
26	00-437130	Conduit - PVC (32 1/8 Door Height) (RH) (Electric and Steam Heat).....	1
27	00-328469-1	Conduit - PVC (26 1/8 Door Height) (RH) (Gas Heat).....	1
28	00-328469-2	Conduit - PVC (32 1/8 Door Height) (RH) (Gas Heat).....	1
29	00-436888	Cover - Panel Notch.....	2
30	SC-053-05	Mach Screw 10-24 x 3/8 Truss Hd, Slotted.....	2
31	WS-019-06	Washer (SST).....	2
32	NS-031-16	Stop Nut 10-24 "Elastic" (SST).....	2
33	WL-006-17	Lockwasher 1/4 Helical (SST).....	2
34	NS-015-01	Nut 1/4 -20 Hex (SST).....	2
35	00-067500-31	"O" Ring.....	2
36	00-119254	Retainer - Cap.....	2
37	00-119244	Cap & Stud Assy.....	2
38	00-436031	Panel - Front Trim.....	1
39	PB-004-08	Plug Button Heyco 2703.....	AR
40	00-270923-4	Box - Junction (RH).....	1
41	SC-041-05	Cap Screw 1/4 -20 x 5/8 Hex Hd.....	2
42	WS-003-49	Washer 0.266 x 0.563 x 0.062 (SST).....	2
43	WL-006-17	Lockwasher 1/4 Helical (SST).....	2
44	NS-015-01	Nut 1/4 -20 Hex (SST).....	2
45	SD-007-38	Self-Tapping Screw 8-18 x 1/4 Phil. Bndg. Hd., Type B.....	2
46	FE-008-44	Connector 45 Deg (3/4 Male Thd x 3/4 Thinwall).....	1
47	FE-008-11	Gasket - Electrical.....	1
48	FE-006-06	Lock Nut 3/4.....	1
49	FE-007-32	Connector - Conduit 3/4 TS.....	1
50	FE-009-07	Lock Nut 1 1/4.....	4
51	00-294677-3	Clamp - Wire (3/4 ID).....	AR
52	NS-047-94	Lock Nut Special 3/16.....	AR
53	00-270923-5	Box - Junction (LH).....	1
54	SC-041-05	Cap Screw 1/4 -20 x 5/8 Hex Hd.....	2
55	WS-003-49	Washer 0.266 x 0.563 x 0.062 (SST).....	2

**MISCELLANEOUS
(WASH/RINSE SECTION)**

ILLUS.	PART NO.	NAME OF PART	AMT.
PL-55263			
56	WL-006-17	Lockwasher 1/4 Helical (SST).....	2
57	NS-015-01	Nut 1/4 -20 Hex (SST).....	2
58	00-271057	NLA - Obsolete--Cap - Wireway.....	2
59	SC-041-50	Cap Screw 1/4 -20 x 1/2 Hex Hd.....	4
60	WS-022-01	Washer (SST).....	4
61	WL-006-17	Lockwasher 1/4 Helical (SST).....	4
62	NS-015-01	Nut 1/4 -20 Hex (SST).....	4
63	00-287625	Splash Shield.....	2
64	NS-031-15	Stop Nut 10-24 Hex (SST).....	4
65	SC-053-02	Mach Screw 10-24 x 1/2 Truss Hd (SST).....	4
66	SC-041-11	Cap Screw 5/16 -18 x 3/4 Hex Hd (SST).....	2
67	WL-006-23	Lockwasher 5/16 Helical (SST).....	2
68	NS-015-11	Nut 5/16 -18 Hex.....	2

NOTES



PL-50787

**LOW WATER PROTECTION
(STEAM HEAT/WASH & RINSE TANK)**

**LOW WATER PROTECTION
(STEAM HEAT/WASH & RINSE TANK)**

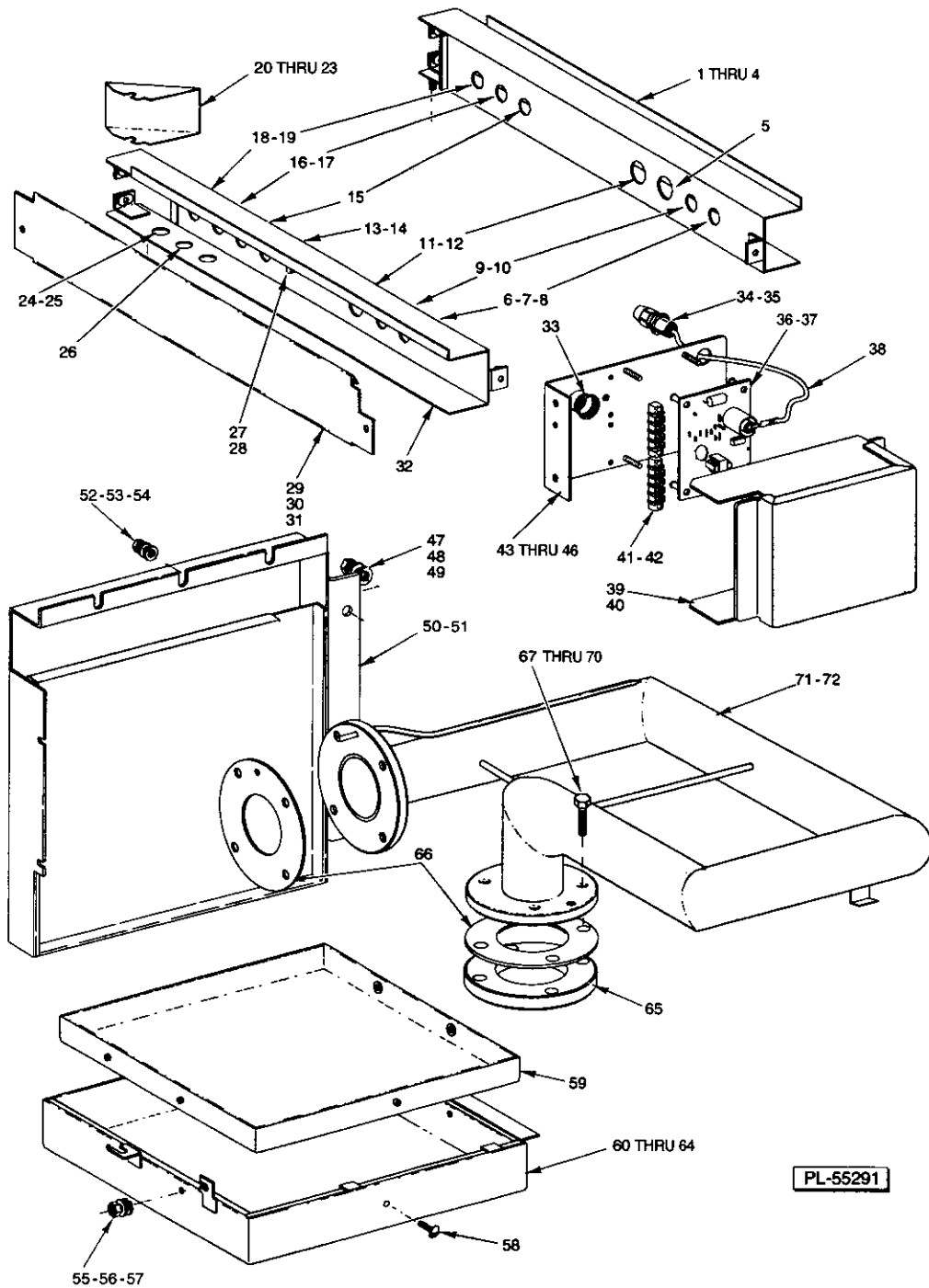
ILLUS.	PART NO.	NAME OF PART	AMT.
1	00-067500-72	"O" Ring.....	AR
2	00-271622	Probe & Switch Assy (2 Wire) (Water Level).....	AR
3	00-122674	Float Assy.....	AR
4	00-112467	Retainer - Float.....	AR
5	RR-010-13	Retaining Ring.....	AR
6	RR-010-13	Retaining Ring.....	2
7	00-112467	Retainer - Float.....	2
8	00-271621	Probe & Switch Assy (4 Wire) (Temperature & Water Level).....	2
9	00-122674	Float Assy.....	2
10	00-067500-72	"O" Ring.....	2
11	00-328472	Box - Steam Heat.....	2
12	WS-010-40	Washer - Thrust.....	AR
13	WL-014-31	Lockwasher 1/2 External Shakeproof (SST).....	AR
14	NS-018-28	Jam Nut 1/2 -20 Hex Fin.....	AR
15	00-288465	Lid & Gasket Assy (Incls Item 16).....	2
16	00-112007	Gasket.....	2
17	FE-024-61	Connector 45 Deg (Non Metallic) "Sealtite"(1/2 Male Thd x 1/2 Flex Cnd).....	2
18	FE-024-61	Connector 45 Deg (Non Metallic) "Sealtite"(1/2 Male Thd x 1/2 Flex Cnd).....	1
19	FE-024-65	Connector 90 Deg (Non Metallic) "Sealtite"(1/2 Male Thd x 1/2 Flex Cnd).....	1
20	SD-012-20	Self-Tapping Screw 8-32 x 1/2 Phil Truss Hd, Type T.....	8
21	FE-024-67	Connector 90 Deg (Non Metallic) "Sealtite" (1 Male Thd x 1 Flex Cnd).....	4
22	FE-008-12	Gasket.....	2
*23	00-119244-2	Cap.....	AR
*24	00-067500-31	"O" Ring.....	AR
*25	WS-003-47	Washer (SST).....	AR
*26	WL-006-17	Lockwasher 1/4 Helical (SST).....	AR
*27	NS-015-01	Nut 1/4 -20 Hex (SST).....	AR
	00-294357-1	Connector.....	AR
	00-294357-2	Connector (Black).....	AR
	00-065890-29	Connector - Insulated.....	AR

* Use 1 set on CRS86A or CPW100A in place #1 thru 5 in wash tank & 1 set in rinse tank on all units.

ELECTRIC HEAT

ILLUS.	PART NO.	NAME OF PART	AMT.
PL-55290			
1	00-436907-1	Heater - Tank Electric (10K W/Rinse) (208 V., 60 Hz./200 V., 50 Hz.) (3 Ph.).....	1
2	00-436907-2	Heater - Tank Electric (10K W/Rinse) (240 V., 50/60 Hz.) (3 Ph.).....	1
3	00-436907-3	Heater - Tank Electric (10K W/Rinse) (208 V., 60 Hz./200 V., 50 Hz.) (1 Ph.).....	1
4	00-436907-4	Heater - Tank Electric (10K W/Rinse) (240 V., 50/60 Hz.) (1 Ph.).....	1
5	00-436907-5	Heater - Tank Electric (10K W/Rinse) (480 V., 60 Hz.) (3 Ph.).....	1
6	00-436907-6	Heater - Tank Electric (10K W/Rinse) (380 V., 50 Hz.) (3 Ph.).....	1
7	00-435990-1	Heater - Tank Electric (15K W/Wash) (208 V., 60 Hz./200 V., 50 Hz.) (3 Ph.).....	1
8	00-435990-2	Heater - Tank Electric (15K W/Wash) (240 V., 50/60 Hz.) (3 Ph.).....	1
9	00-435990-3	Heater - Tank Electric (15K W/Wash) (208 V., 60 Hz./200 V., 50 Hz.) (1 Ph.).....	1
10	00-435990-4	Heater - Tank Electric (15K W/Wash) (240 V., 50/60 Hz.) (1 Ph.).....	1
11	00-435990-5	Heater - Tank Electric (15K W/Wash) (480 V., 60 Hz.) (3 Ph.).....	1
12	00-435990-6	Heater - Tank Electric (15K W/Wash) (380 V., 50 Hz.) (3 Ph.).....	1
13	00-271621	Switch & Probe Assy. (4-Wire) (Long).....	2
14	00-271622	Probe & Switch Assy. (2 Wire) (Water Level).....	AR
15	00-112467	Retainer- Float.....	AR
16	00-122674	Float Assy.....	AR
17	WS-010-40	Washer - Thrust.....	AR
18	WL-014-31	Lockwasher 1/2 External Shakeproof (SST).....	AR
19	NS-018-28	Jam Nut 1/2 -20 Hex Fin.....	AR
20	00-067500-72	"O" Ring.....	AR
21	00-474512-3	Box - Electric Heat.....	2
22	SC-041-15	Cap Screw 5/16 -18 x 1 1/4 Hex Hd.....	12
23	WS-029-05	Washer 0.328 x 0.750 x 0.062 (SST).....	24
24	WL-006-23	Lockwasher 5/16 Helical (SST).....	12
25	NS-015-11	Nut 5/16 -18 Hex.....	12
26	00-271118-1	Plate - Mounting.....	2
27	00-271109	Gasket - Mounting.....	2
28	00-474574-2	Lid & Gasket Assy. (Incls. Item 29).....	2
29	00-474569	Gasket (Lid).....	2
30	NS-031-15	Stop Nut 10-24 Hex (SST).....	12
31	00-0271122	Bracket - Thermostat.....	2
32	NS-031-15	Stop Nut 10-24 Hex (SST).....	4
33	00-293946	Sleeve.....	2
34	00-271123	Protector - High Limit.....	2
35	SC-021-08	Mach. Screw 6-32 x 3/8 Slotted Rd. Hd. (SST).....	4
36	NS-031-50	Stop Nut 6-32 Hex (SST).....	4
*37	WL-006-17	Lockwasher 1/4 Helical (SST).....	AR
*38	NS-015-01	Nut 1/4 -20 Hex (SST).....	AR
39	00-950696	Insulator - Terminal (Above 250 V.).....	2
*40	00-119244-2	Cap.....	AR
*41	00-067500-31	"O" Ring.....	AR
*42	WS-003-47	Washer (SST).....	AR
43	SC-041-13	Cap Screw 5/16 -18 x 1 Hex Hd. (SST).....	4
44	WS-017-08	Washer (0.328 x 0.625 x 0.062) (SST).....	4
45	WL-006-23	Lockwasher 5/16 Helical (SST).....	4
46	NS-015-11	Nut 5/16 -18 Hex.....	4
47	RR-010-13	Retaining Ring.....	AR
48	FE-008-12	Gasket.....	2
49	FE-024-63	Connector 90 Deg. (Non Metallic) "Sealtite" (1 Male Thd. x 1 Flex. Cnd.).....	4
50	00-293598	Gasket - Heater Mounting.....	2
	00-526454	Foam Tape.....	AR
	00-545595	Sealer (1/8 Rd.).....	AR
	00-294357-1	Connector.....	AR
	00-294357-2	Connector (Black).....	AR
	00-065890-29	Connector - Insulated.....	2

* Uses 1 set on CRS86A or CPW100A in place of #14 in wash tank & 1 set in rinse tank on all units.



GAS HEAT BURNERS, FLUES, & WIREWAYS

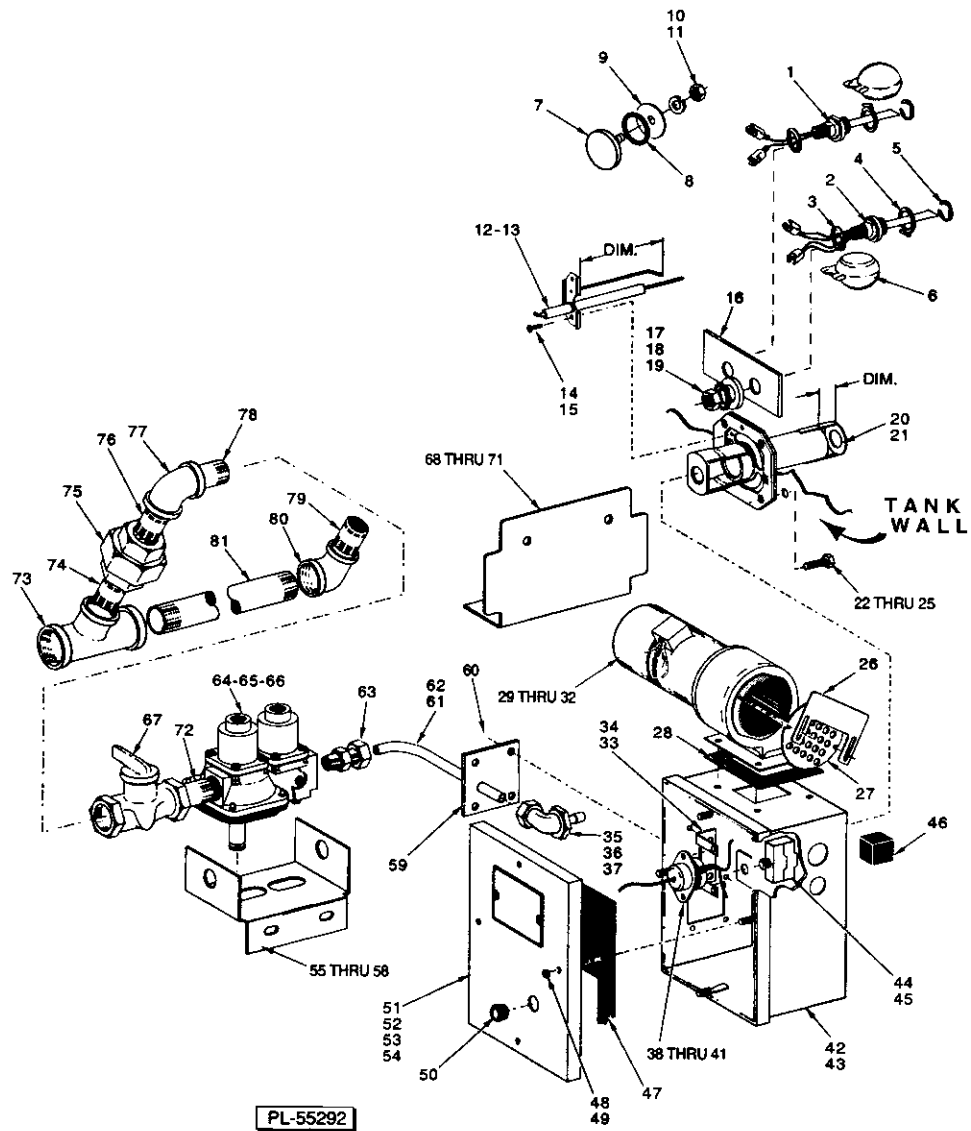
GAS HEAT BURNERS, FLUES, & WIREWAYS

ILLUS. PL-55291	PART NO.	NAME OF PART	AMT.
1	00-328461	Channel - Wireway (RH).....	1
2	SC-041-10	Cap Screw 5/16-18 x 5/8 Hex Hd.....	2
3	SC-041-11	Cap Screw 5/16-18 x 3/4 Hex Hd (SST).....	4
4	WL-006-23	Lockwasher 5/16 Helical (SST).....	6
5	FE-024-58	Connector Straight (Non Metallic) "Sealtite" (3/4 Male Thd x 3/4 Flex Cnd).....	2
6	FE-024-57	Connector Straight (Non Metallic) "Sealtite" (1/2 Male Thd x 1/2 Flex Cnd).....	2
7	FE-024-61	Connector 45 Deg (Non Metallic) "Sealtite" (1/2 Male Thd x 1/2 Flex Cnd).....	2
8	FE-008-10	1/2 Gasket Assy.....	2
9	FE-024-57	Connector Straight (Non Metallic) "Sealtite" (1/2 Male Thd x 1/2 Flex Cnd).....	AR
10	FE-024-65	Connector 90 Deg (Non Metallic) "Sealtite" (1/2 Male Thd x 1/2 Flex Cnd).....	AR
11	FE-024-62	Connector - Conduit 3/4 (Non Metallic) "Sealtite".....	2
12	FE-024-58	Connector Straight (Non Metallic) "Sealtite" (3/4 Male Thd x 3/4 Flex Cnd).....	2
13	FE-024-57	Connector Straight (Non Metallic) "Sealtite" (1/2 Male Thd x 1/2 Flex Cnd).....	1
14	FE-024-61	Connector 45 Deg (Non Metallic) "Sealtite" (1/2 Male Thd x 1/2 Flex Cnd).....	1
15	FE-024-61	Connector 45 Deg (Non Metallic) "Sealtite" (1/2 Male Thd x 1/2 Flex Cnd).....	4
16	FE-024-57	Connector Straight (Non Metallic) "Sealtite" (1/2 Male Thd x 1/2 Flex Cnd).....	2
17	FE-024-61	Connector 45 Deg (Non Metallic) "Sealtite" (1/2 Male Thd x 1/2 Flex Cnd).....	2
18	FE-024-57	Connector Straight (Non Metallic) "Sealtite" (1/2 Male Thd x 1/2 Flex Cnd).....	2
19	FE-024-61	Connector 45 Deg (Non Metallic) "Sealtite" (1/2 Male Thd x 1/2 Flex Cnd).....	2
20	00-328437	Cover - Wireway.....	2
21	WS-003-49	Washer 0.266 x 0.563 x 0.062 (SST).....	2
22	WL-006-17	Lockwasher 1/4 Helical (SST).....	2
23	NS-015-01	Nut 1/4 -20 Hex (SST).....	2
24	FE-024-57	Connector Straight (Non Metallic) "Sealtite" (1/2 Male Thd x 1/2 Flex Cnd).....	1
25	FE-024-65	Connector 90 Deg (Non Metallic) "Sealtite" (1/2 Male Thd x 1/2 Flex Cnd).....	1
26	PB-004-08	Plug Button Heyco 2703.....	AR
27	WL-014-10	Lockwasher 1/4 External Shakeproof.....	1
28	NS-031-21	Stop Nut - Special 1/4 -20 Hex.....	1
29	00-328452-1	Cover - Wireway Channel (LH).....	1
30	00-328452-2	Cover - Wireway Channel (RH).....	1
31	SC-053-05	Mach Screw 10-24 x 3/8 Truss Hd, Slotted.....	4
32	00-328464	Channel - Wireway (LH).....	1
33	FE-024-75	Bushing - Electrical Snap (1).....	2
34	FE-024-57	Connector Straight (Non Metallic) "Sealtite" (1/2 Male Thd x 1/2 Flex Cnd).....	2
35	FE-024-61	Connector 45 Deg (Non Metallic) "Sealtite" (1/2 Male Thd x 1/2 Flex Cnd).....	2
36	00-436853	Ignitor Board 24 VAC.....	2
37	NS-031-50	Stop Nut 6-32 Hex (SST).....	8
38	00-271146-2	Cable - High Voltage.....	2
39	00-328459	Cover - Ignitor Board.....	2
40	SC-053-05	Mach Screw 10-24 x 3/8 Truss Hd, Slotted.....	2
41	00-294325-014-1	Block - Terminal.....	4
42	SC-021-15	Mach Screw 8-32 x 1/2 Rd Hd, Slotted.....	8
43	00-328462-1	Bracket - Ignitor Board (LH).....	1
44	00-328462-2	Bracket - Ignitor Board (RH).....	1
45	SC-041-11	Cap Screw 5/16 -18 x 3/4 Hex Hd (SST).....	4
46	WL-006-23	Lockwasher 5/16 Helical (SST).....	4
47	WS-017-01	Washer 0.328 x 0.875 x 0.062 (SST).....	2
48	WL-006-23	Lockwasher 5/16 Helical (SST).....	2
49	NS-015-11	Nut 5/16 -18 Hex.....	2
50	00-328455-1	Flue (LH).....	1
51	00-328455-2	Flue (RH).....	1
52	WS-003-49	Washer 0.266 x 0.563 x 0.062 (SST).....	10
53	WL-006-17	Lockwasher 1/4 Helical (SST).....	10
54	NS-015-01	Nut 1/4 -20 Hex (SST).....	10
55	WS-003-49	Washer 0.266 x 0.563 x 0.062 (SST).....	4

GAS HEAT BURNERS, FLUES, & WIREWAYS

ILLUS.	PART NO.	NAME OF PART	AMT.
PL-55291			
56	WL-006-17	Lockwasher 1/4 Helical (SST).....	4
57	NS-015-01	Nut 1/4 -20 Hex (SST).....	4
58	SC-053-02	Mach Screw 10-24 x 1/2 Truss Hd (SST).....	10
59	00-328415	Liner - Shroud.....	2
60	00-328416	Insulation.....	2
61	00-328453-1	Shroud (LH).....	1
62	00-328453-2	Shroud (RH).....	1
63	00-328454-1	Shroud Assy (LH) (Incls Items 58, 59, 60, & 61).....	1
64	00-328454-2	Shroud Assy (RH) (Incls Items 48, 59, 60, & 62).....	1
65	00-435952	Flange - Immersion Tube.....	2
66	00-436100	Gasket.....	4
67	SC-121-43	Cap Screw 7/16 -14 x 1 3/4 Hex Hd.....	16
68	WS-021-07	Washer (SST).....	32
69	WL-019-77	Lockwasher 7/16 Medium (SST).....	16
70	NS-047-97	Nut 7/16 -14 Hex.....	16
71	00-328460-1	Tube - Immersion (LH).....	1
72	00-328460-2	Tube - Immersion (RH).....	1

NOTES



GAS HEAT COMPONENTS

GAS HEAT COMPONENTS

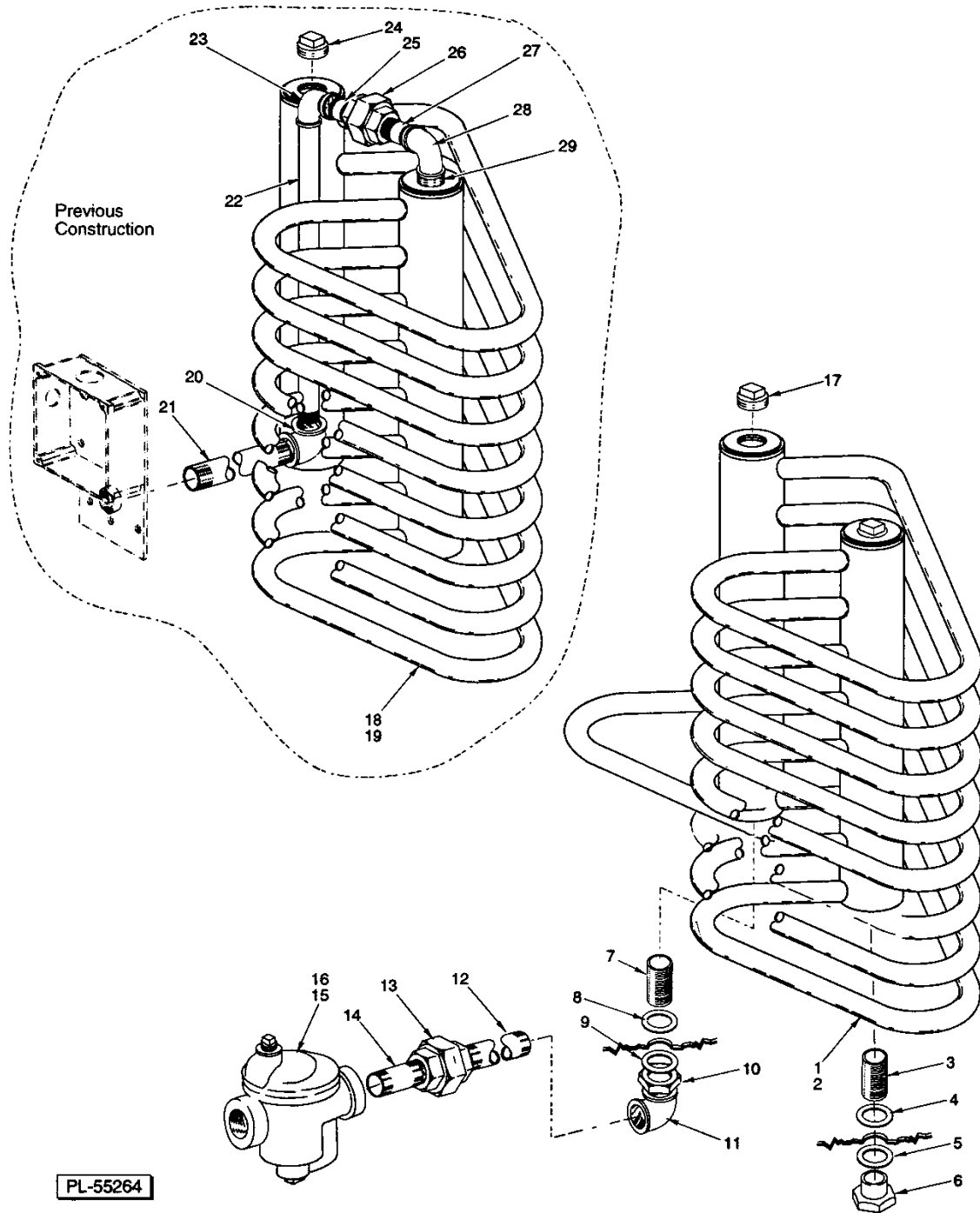
ILLUS.	PART NO.	NAME OF PART	AMT.
PL-55292			
1	00-328495	Probe & Switch Assy(2 Wire)(Water Level)(Order 2 Jumper Wires # 328758).....	AR
2	00-271621	Switch & Probe Assy. (4-Wire) (Long).....	2
3	00-067500-72	"O" Ring.....	AR
4	00-112467	Retainer - Float.....	AR
5	RR-010-13	Retaining Ring.....	AR
6	00-122674	Float Assy.....	AR
*7	00-119244-2	Cap.....	AR
*8	00-067500-31	"O" Ring.....	AR
*9	WS-003-47	Washer (SST).....	AR
*10	WL-006-17	Lockwasher 1/4 Helical (SST).....	AR
*11	NS-015-01	Nut 1/4-20 Hex (SST).....	AR
12	00-436792	Electrode Ignition - Natural Gas (Dim. 3 1/8) (Marked 665).....	2
13	00-436067	Electrode Ignition - L.P. Gas (Dim. 3 3/8) (Marked 662).....	2
14	SC-093-03	Mach. Screw 8-32 x 3/8 Slotted Pan Hd. (SST).....	4
15	WL-014-05	Lockwasher #8 External Shakeproof (SST).....	4
16	00-435960-1	Plate Spacer.....	2
17	NS-018-28	Jam Nut 1/2-20 Hex (SST).....	AR
18	WL-014-31	Lockwasher 1/2 External Shakeproof (SST).....	AR
19	WS-010-40	Washer - Thrust.....	AR
20	00-328649	Bracket - Orifice (Nat. Gas) (Shown) (Dim. 1/2) (Marked NAT).....	2
21	00-436761	Bracket - Orifice (L.P. Gas) (Dim. 1/2) (Marked LP).....	2
22	SC-121-43	Cap Screw 7/16 -14 x 1 3/4 Hex Hd.....	16
23	WS-021-07	Washer (SST).....	32
24	WL-019-77	Lockwasher 7/16 Medium (SST).....	16
25	NS-047-97	Nut 7/16 -14 Hex.....	16
26	00-328428	Plate - Adjusting.....	2
27	00-328427	Plate - Restrictor.....	2
28	00-328473	Gasket - Blower.....	2
29	00-328476-1	Blower - Motor.....	2
30	SC-041-05	Cap Screw 1/4-20 x 5/8 Hex Hd.....	8
31	WL-014-10	Lockwasher 1/4 External Shakeproof.....	2
32	NS-031-21	Stop Nut - Special 1/4 -20 Hex.....	8
33	00-271122-2	Bracket - Thermostat.....	2
34	SC-053-05	Mach. Screw 10-24 x 3/8 Slotted Truss Hd. (SST).....	8
35	00-435701-3	Angle Fitting (Nat. Gas, 60 Hz.) #25 Drill (0.1495).....	2
36	00-435701-4	Angle Fitting (Nat. Gas, 50 Hz.) #29 Drill (0.136).....	2
37	00-435701-2	Angle Fitting (L.P. Gas 50/60 Hz.) #43 Drill (0.089).....	2
38	00-271123	Protector - High Limit.....	2
39	00-293946	Sleeve - Lead.....	2
40	SC-127-26	Mach. Screw 6-32 x 3/8 Phil. Rd. Hd. (SST).....	4
41	NS-031-50	Stop Nut 6-32 Hex (SST).....	4
42	00-328465	Box - Gas Heat (LH).....	1
43	00-328466	Box - Gas Heat (RH).....	1
44	00-087711-153-1	Switch - Limit.....	2
45	00-328508	Insulator - Switch.....	2
46	00-328450	Plug - Rubber (Conduit).....	8
47	00-328429	Gasket - Lid.....	2
48	WS-019-06	Washer (SST).....	8
49	NS-031-16	Stop Nut 10-24 "Elastic" (SST).....	8
50	00-435024	Eye.....	2
51	00-328467-1	Lid - Gas Heat Box (Nat. Gas, 60 Hz.).....	2
52	00-328467-2	Lid - Gas Heat Box (Nat. Gas, 50 Hz.).....	2
53	00-328467-3	Lid - Gas Heat Box (L.P. Gas, 60 Hz.).....	2
54	00-328467-4	Lid - Gas Heat Box (L.P. Gas, 50 Hz.).....	2
55	00-328212	Bracket - Valve.....	2

GAS HEAT COMPONENTS

ILLUS.	PART NO.	NAME OF PART	AMT.
	PL-55292		
56	SC-041-10	Cap Screw 5/16-18 x 5/8 Hex Hd. (SST).....	4
57	WL-006-23	Lockwasher 5/16 Helical (SST).....	4
58	NS-015-11	Nut 5/16 -18 Hex.....	4
59	00-328440	Plate - Gas Line.....	2
60	SC-053-05	Mach. Screw 10-24 x 3/8 Slotted Truss Hd. (SST).....	8
61	00-328425-2	Tube - Gas (LH Tank).....	1
62	00-328425	Tube - Gas (RH Tank).....	1
63	00-435702	Connector - Special.....	2
64	00-328426-1	Gas Valve (Nat. Gas).....	2
65	00-328426-2	Gas Valve (L.P. Gas, 60 Hz.).....	2
66	00-328426-3	Gas Valve (L.P. Gas, 50 Hz.).....	2
67	00-291988-3	Valve - Gas Cock.....	2
68	00-328421	Deflector - Flue.....	2
69	WS-003-49	Washer 0.266 x 0.563 x 0.062 (SST).....	4
70	WL-006-17	Lockwasher 1/4 Helical (SST).....	4
71	NS-015-01	Nut 1/4 -20 Hex (SST).....	4
72	FP-035-94	Pipe 1/2 x 1 1/2 Lg. TBE.....	2
73	FP-019-33	Tee 3/4 x 3/4 x 1/2 Reducing.....	1
74	FP-059-61	Pipe 1/2 x 1-1/4 TBE.....	1
75	FP-022-11	Union - Pipe.....	2
76	FP-059-61	Pipe 1/2 x 1-1/4 TBE.....	2
77	FP-013-15	Elbow - Pipe 1/2 x 90 Deg.....	2
78	FP-059-61	Pipe 1/2 x 1-1/4 TBE.....	2
79	FP-059-61	Pipe 1/2 x 1-1/4 TBE.....	1
80	FP-078-89	Elbow 3/4 NPT x 1/2 Reducing.....	1
81	FP-087-27	Nipple 3/4 x 61 TBE.....	1
	00-294357-1	Connector.....	2
	00-294357-2	Connector (Black).....	2
	00-435538	Wire Harness - Ignitor Board.....	2
	00-328758	Jumper Wire - Socket Type Connector (Use With Item 39).....	2

* Use 1 set on CCS,CRS86A/W or CPW100A/W in place of #1 in wash tank & 1 set in rinse tank on all units.

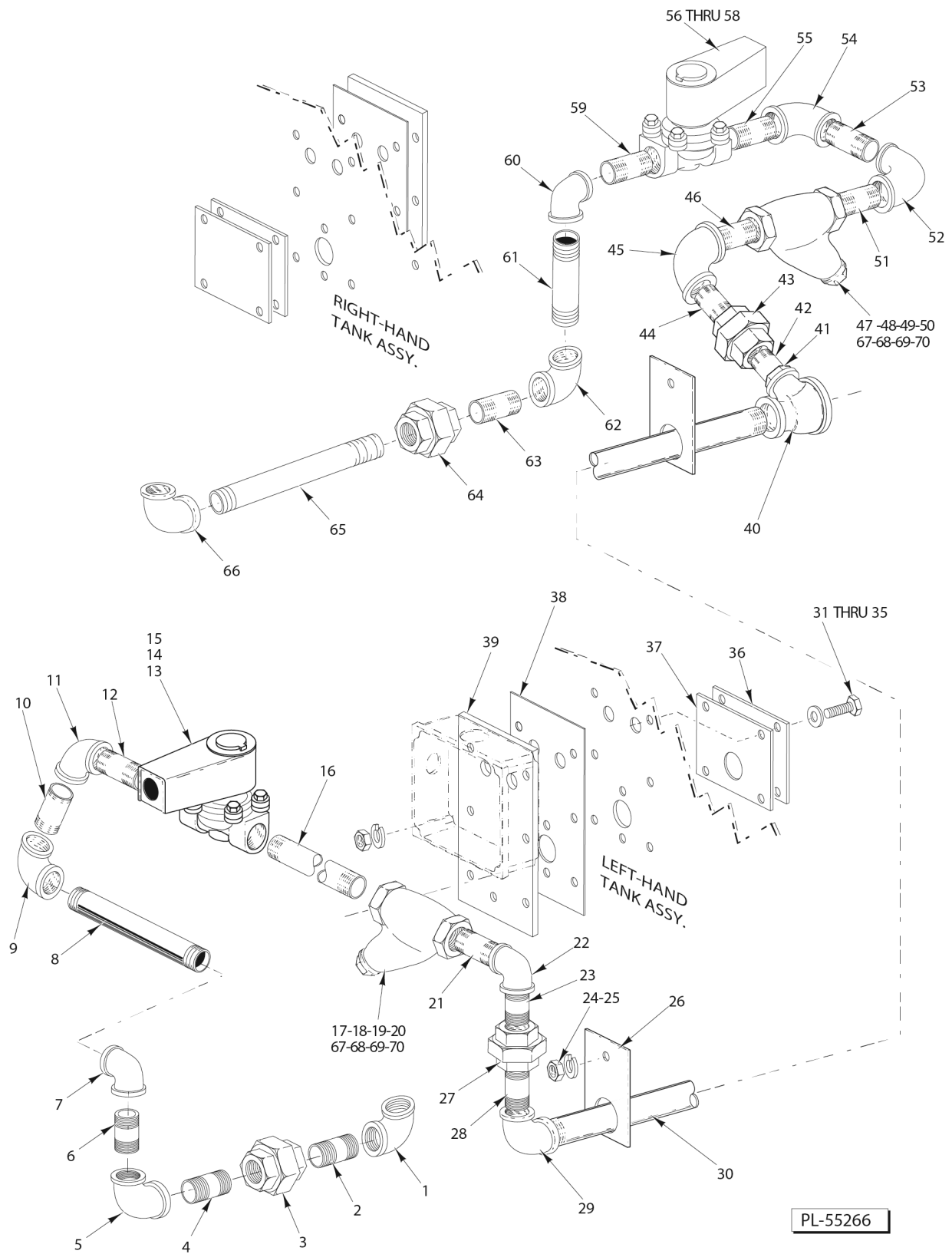
NOTES



**STEAM COILS
(2 UNITS REQD)**

**STEAM COILS
(2 UNITS REQD)**

ILLUS.	PART NO.	NAME OF PART	AMT.
PL-55264			
1	00-328823-1	Coil - Steam (LH Tank) (Shown).....	1
2	00-328823-2	Coil - Steam (RH Tank).....	1
3	FP-080-17	Pipe 3/4 x 2 TBE (1-1/2 RTOE) (SST).....	1
4	WS-013-45	Washer (SST).....	1
5	WS-013-45	Washer (SST).....	1
6	FP-053-09	Lock Nut 3/4 NPSL Pipe (SST).....	1
7	FP-080-17	Pipe 3/4 x 2 TBE (1-1/2 RTOE) (SST).....	1
8	WS-013-45	Washer (SST).....	1
9	WS-013-45	Washer (SST).....	1
10	FP-053-09	Lock Nut 3/4 NPSL Pipe (SST).....	1
11	FP-013-22	Elbow 3/4 x 90 Deg.....	1
12	FP-059-64	Nipple 3/4 x 5 1/2 TBE.....	1
13	FP-022-17	Union 3/4 (Grd Seat).....	1
14	FP-036-92	Nipple 3/4 x 1 3/8 TBE.....	1
15	00-118316	Steam Trap (0-20 PSI).....	1
16	00-118317	Steam Trap (21-50 PSI).....	1
17	FP-052-09	Pipe Plug 3/4 Sq Hd (SST).....	1
18	00-437158-1	NLA - Obsolete--Coil - Steam (LH Tank) (Shown).....	1
19	00-437158-2	Coil - Steam (RH Tank).....	1
20	FP-049-15	Elbow 3/4 x 90 Deg (SST).....	1
21	FP-054-44	Nipple 3/4 x 2 1/2 TBE (SST).....	1
22	FP-087-11	Nipple 3/4 x 9 1/2 TBE (SST).....	1
23	FP-049-15	Elbow 3/4 x 90 Deg (SST).....	1
24	FP-052-09	Pipe Plug 3/4 Sq Hd (SST).....	1
25	FP-054-27	Nipple 3/4 x 1 3/8 TBE (SST).....	1
26	FP-050-14	Union 3/4 (Grd Seat) (SST).....	1
27	FP-054-27	Nipple 3/4 x 1 3/8 TBE (SST).....	1
28	FP-049-15	Elbow 3/4 x 90 Deg (SST).....	1
29	FP-054-27	Nipple 3/4 x 1 3/8 TBE (SST).....	1



PL-55266

STEAM COIL PIPING

STEAM COIL PIPING

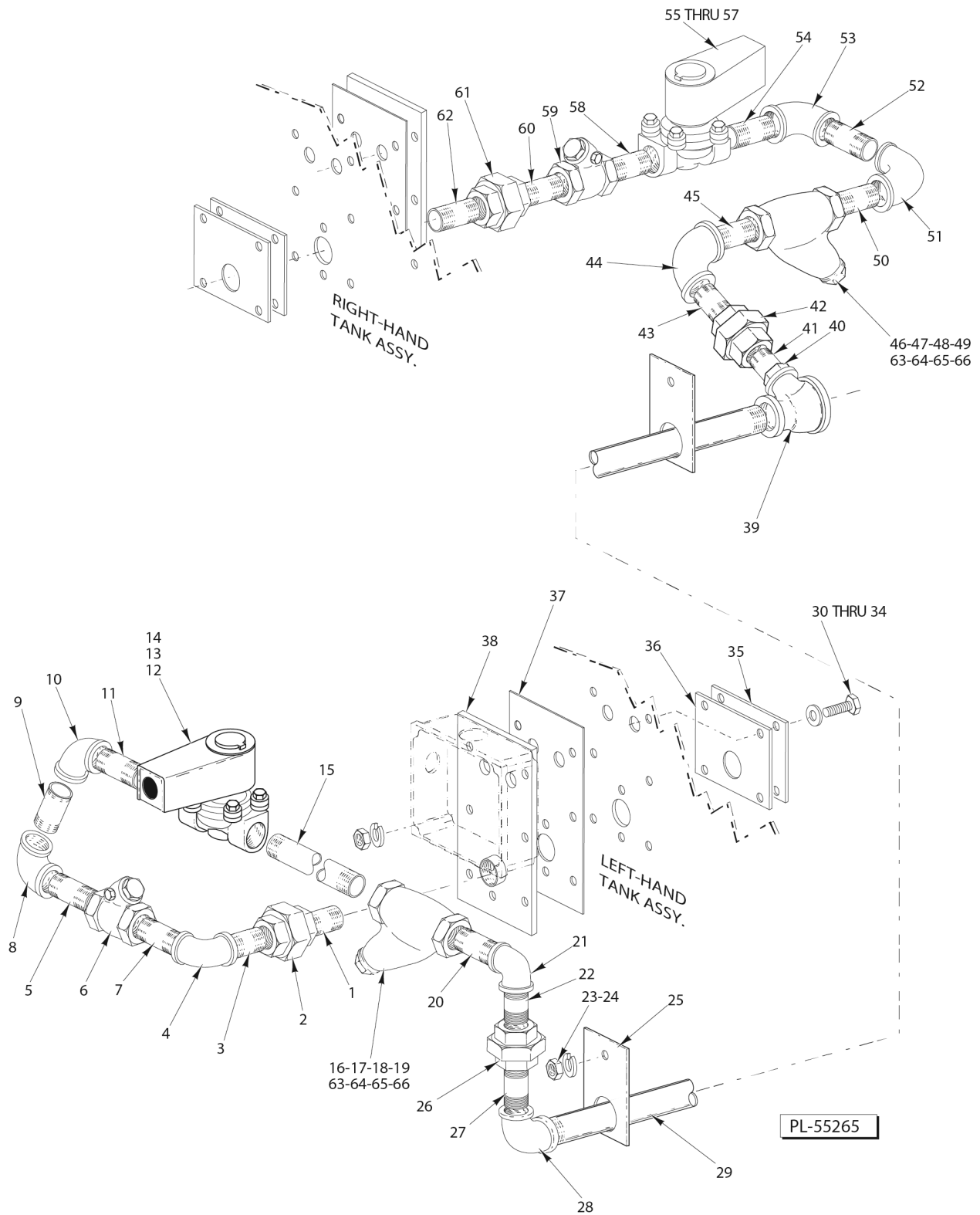
ILLUS.	PART NO.	NAME OF PART	AMT.
PL-55266			
1	FP-013-22	Elbow 3/4 x 90 Deg.....	1
2	FP-036-12	Nipple 3/4 x 7 3/4 TBE.....	1
3	FP-022-17	Union 3/4 (Grd Seat).....	1
4	FP-036-05	Nipple 3/4 x 3 TBE.....	1
5	FP-013-22	Elbow 3/4 x 90 Deg.....	1
6	FP-036-03	Nipple 3/4 x 2 3/4 TBE.....	1
7	FP-013-22	Elbow 3/4 x 90 Deg.....	1
8	FP-080-81	Nipple 3/4 x 8 1/4 TBE.....	1
9	FP-013-22	Elbow 3/4 x 90 Deg.....	1
10	FP-036-05	Nipple 3/4 x 3 TBE.....	1
11	FP-013-22	Elbow 3/4 x 90 Deg.....	1
12	FP-036-92	Nipple 3/4 x 1 3/8 TBE.....	1
13	00-270329-1	Solenoid Valve (120 V) (Incls Items 14 & 15).....	1
14	00-270318-1	Coil - Solenoid Valve (120 V).....	1
15	00-270336	Service Kit - Solenoid Valve.....	1
16	FP-059-64	Nipple 3/4 x 5 1/2 TBE.....	1
*17	00-186922	Strainer - Line (3/4 In.) (Brass) (Kitz) (Incls Items 18, 19, & 20) (Alternate to Item 67)	1
18	00-186923	Plug - Branch.....	1
19	00-186924	Gasket - Branch Plug.....	1
20	00-186925	Screen - Line Strainer.....	1
21	FP-036-92	Nipple 3/4 x 1 3/8 TBE.....	1
22	FP-013-22	Elbow 3/4 x 90 Deg.....	1
23	FP-036-05	Nipple 3/4 x 3 TBE.....	1
24	WL-006-17	Lockwasher 1/4 Helical (SST).....	2
25	NS-015-01	Nut 1/4 -20 Hex (SST).....	2
26	00-289783	Bracket - Pipe Support.....	2
27	FP-022-17	Union 3/4 (Grd Seat).....	1
28	FP-036-95	Pipe 3/4 x 2 TBE.....	1
29	FP-079-97	Elbow - Reducing 90 Deg 1 to 3/4.....	1
30	FP-075-90	Pipe 1 x 39-1/2 TBE.....	1
31	SC-041-15	Cap Screw 5/16-18 x 1 1/4 Hex Hd.....	14
32	WS-017-08	Washer (0.328 x 0.625 x 0.062) (SST).....	28
33	WL-006-23	Lockwasher 5/16 Helical (SST).....	14
34	NS-015-11	Nut 5/16-18 Hex (SST).....	14
35	00-545595	Sealer (1/8 Rd).....	AR
36	00-328777	Plate - Inner.....	2
37	00-435026	Gasket.....	2
38	00-271109	Gasket - Mounting.....	2
39	00-328776	Plate - Outer.....	2
40	FP-019-76	Tee - Pipe 1 1/2 x 1 x 1.....	1
41	FP-026-26	Bushing 1 to 3/4.....	1
42	FP-036-92	Nipple 3/4 x 1 3/8 TBE.....	1
43	FP-022-17	Union 3/4 (Grd Seat).....	1
44	FP-036-92	Nipple 3/4 x 1 3/8 TBE.....	1
45	FP-013-22	Elbow 3/4 x 90 Deg.....	1
46	FP-036-92	Nipple 3/4 x 1 3/8 TBE.....	1
*47	00-186922	Strainer - Line (3/4 In.) (Brass) (Kitz) (Incls Items 48, 49, & 50) (Alternate to Item 67)	1
48	00-186923	Plug - Branch.....	1
49	00-186924	Gasket - Branch Plug.....	1
50	00-186925	Screen - Line Strainer.....	1
51	FP-036-92	Nipple 3/4 x 1 3/8 TBE.....	1
52	FP-013-22	Elbow 3/4 x 90 Deg.....	1
53	FP-036-92	Nipple 3/4 x 1 3/8 TBE.....	1
54	FP-013-22	Elbow 3/4 x 90 Deg.....	1
55	FP-036-92	Nipple 3/4 x 1 3/8 TBE.....	1

STEAM COIL PIPING

ILLUS.	PART NO.	NAME OF PART	AMT.
PL-55266			
56	00-270329-1	Solenoid Valve (120 V) (Incls Items 57 & 58).....	1
57	00-270318-1	Coil - Solenoid Valve (120 V).....	1
58	00-270336	Service Kit - Solenoid Valve.....	1
59	FP-036-92	Nipple 3/4 x 1 3/8 TBE.....	1
60	FP-013-22	Elbow 3/4 x 90 Deg.....	1
61	FP-078-38	Nipple 3/4 x 3 3/4 TBE.....	1
62	FP-013-22	Elbow 3/4 x 90 Deg.....	1
63	FP-036-05	Nipple 3/4 x 3 TBE.....	1
64	FP-022-17	Union 3/4 (Grd Seat).....	1
65	FP-036-12	Nipple 3/4 x 7 3/4 TBE.....	1
66	FP-013-22	Elbow 3/4 x 90 Deg.....	1
*67	00-186922	Strainer - Line (3/4 In.) (Brass) (Brass) (Apollo / Conbraco) (Incls. Items 68, 69, & 70) (Alternate to Item 47).....	1
68	00-749802-00001	Cap.....	1
69	00-749802-00002	Gasket.....	1
70	00-749802-00003	Screen (80 Mesh).....	1

* Kitz line strainer is approx. 1/4" shorter than Apollo / Conbraco.

NOTES



STEAM INJECTOR & PREVIOUS CONSTRUCTION STEAM COIL PIPING

STEAM INJECTOR & PREVIOUS CONSTRUCTION STEAM COIL PIPING

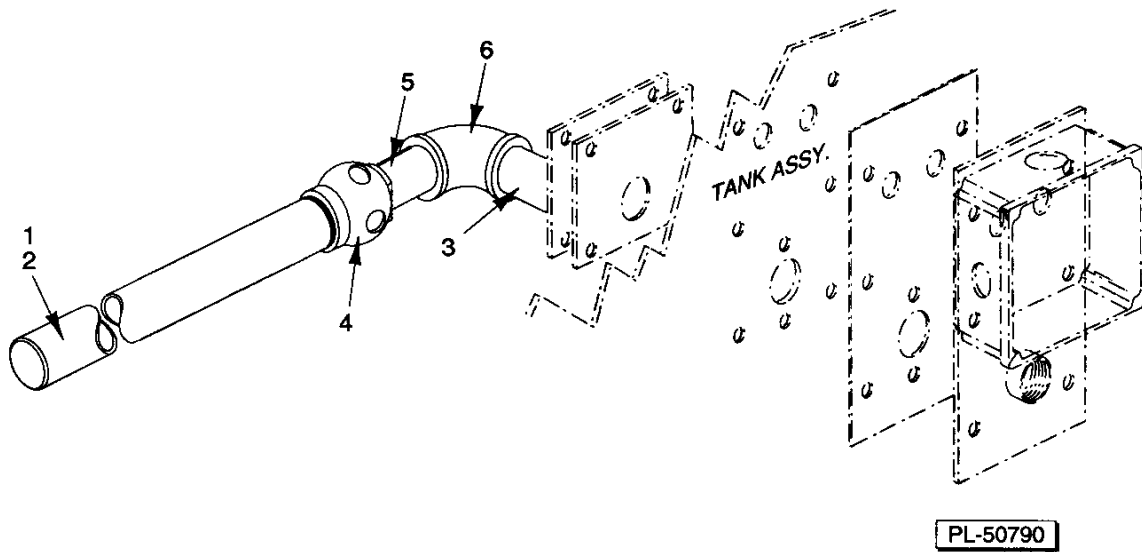
ILLUS.	PART NO.	NAME OF PART	AMT.
PL-55265			
1	FP-036-92	Nipple 3/4 x 1 3/8 TBE.....	1
2	FP-022-17	Union 3/4 (Grd Seat).....	1
3	FP-036-92	Nipple 3/4 x 1 3/8 TBE.....	1
4	FP-013-22	Elbow 3/4 x 90 Deg.....	1
5	FP-036-92	Nipple 3/4 x 1 3/8 TBE.....	1
6	00-074696	Check Valve (3/4).....	1
7	FP-036-95	Pipe 3/4 x 2 TBE.....	1
8	FP-013-22	Elbow 3/4 x 90 Deg.....	1
9	FP-036-92	Nipple 3/4 x 1 3/8 TBE.....	1
10	FP-013-22	Elbow 3/4 x 90 Deg.....	1
11	FP-036-92	Nipple 3/4 x 1 3/8 TBE.....	1
12	00-270329-1	Solenoid Valve (120 V) (Incls Items 13 & 14).....	1
13	00-270318-1	Coil - Solenoid Valve (120 V).....	1
14	00-70336	Service Kit - Solenoid Valve.....	1
15	FP-059-64	Nipple 3/4 x 5 1/2 TBE.....	1
*16	00-186922	Strainer - Line (3/4 In.) (Brass) (Kitz) (Incls Items 17, 18, & 19) (Alternate to Item 63)	1
17	00-186923	Plug - Branch.....	1
18	00-186924	Gasket - Branch Plug.....	1
19	00-86925	Screen - Line Strainer.....	1
20	FP-036-92	Nipple 3/4 x 1 3/8 TBE.....	1
21	FP-013-22	Elbow 3/4 x 90 Deg.....	1
22	FP-036-92	Nipple 3/4 x 1 3/8 TBE.....	1
23	WL-006-17	Lockwasher 1/4 Helical (SST).....	2
24	NS-015-01	Nut 1/4 -20 Hex (SST).....	2
25	00-289783	Bracket - Pipe Support.....	2
26	FP-022-17	Union 3/4 (Grd Seat).....	1
27	FP-036-95	Pipe 3/4 x 2 TBE.....	1
28	FP-079-97	Elbow - Reducing 90 Deg 1 to 3/4.....	1
29	FP-075-90	Pipe 1 x 3/4 TBE.....	1
30	SC-041-15	Cap Screw 5/16 -18 x 1 1/4 Hex Hd.....	14
31	WS-017-08	Washer (0.328 x 0.625 x 0.062) (SST).....	28
32	WL-006-23	Lockwasher 5/16 Helical (SST).....	14
33	NS-015-11	Nut 5/16 -18 Hex.....	14
34	00-545595	Sealer.....	AR
35	00-435027	Plate.....	2
36	00-435026	Gasket.....	2
37	00-271109	Gasket - Mounting.....	2
38	00-271108	Plate - Mounting.....	2
39	FP-019-76	Tee-Pipe 1 1/2 x 1 x 1.....	1
40	FP-026-26	Bushing 1 to 3/4.....	1
41	FP-036-92	Nipple 3/4 x 1 3/8 TBE.....	1
42	FP-022-17	Union 3/4 (Grd Seat).....	1
43	FP-036-92	Nipple 3/4 x 1 3/8 TBE.....	1
44	FP-013-22	Elbow 3/4 x 90 Deg.....	1
45	FP-036-92	Nipple 3/4 x 1 3/8 TBE.....	1
46	00-186922	Strainer - Line (3/4 In.) (Brass) (Kitz) (Incls Items 47, 48, & 49) (Alternate to Item 63)	1
47	00-186923	Plug - Branch.....	1
48	00-186924	Gasket - Branch Plug.....	1
49	00-186925	Screen - Line Strainer.....	1
50	FP-036-92	Nipple 3/4 x 1 3/8 TBE.....	1
51	FP-013-22	Elbow 3/4 x 90 Deg.....	1
52	FP-036-92	Nipple 3/4 x 1 3/8 TBE.....	1
53	FP-013-22	Elbow 3/4 x 90 Deg.....	1
54	FP-036-92	Nipple 3/4 x 1 3/8 TBE.....	1
55	00-270329-1	Solenoid Valve (120 V) (Incls Items 56 & 57).....	1

STEAM INJECTOR & PREVIOUS CONSTRUCTION STEAM COIL PIPING

ILLUS.	PART NO.	NAME OF PART	AMT.
PL-55265			
56	00-270318-1	Coil - Solenoid Valve (120 V).....	1
57	00-270336	Service Kit - Solenoid Valve.....	1
58	FP-036-92	Nipple 3/4 x 1 3/8 TBE.....	1
59	00-074696	Check Valve (3/4).....	1
60	FP-036-92	Nipple 3/4 x 1 3/8 TBE.....	1
61	FP-022-17	Union 3/4 (Grd Seat).....	1
62	FP-036-92	Nipple 3/4 x 1 3/8 TBE.....	1
*63	00-186922	Strainer - Line (3/4 In.) (Brass) (Apollo / Conbraco) (Incls. Items 64, 65, & 66) (Alternate to Items 16 & 46).....	1
64	00-749802-00001	Cap.....	1
65	00-749802-00002	Gasket.....	1
66	00-749802-00003	Screen (80 Mesh).....	1

* Kitz line strainer is approx. 1/4" shorter than Apollo / Conbraco.

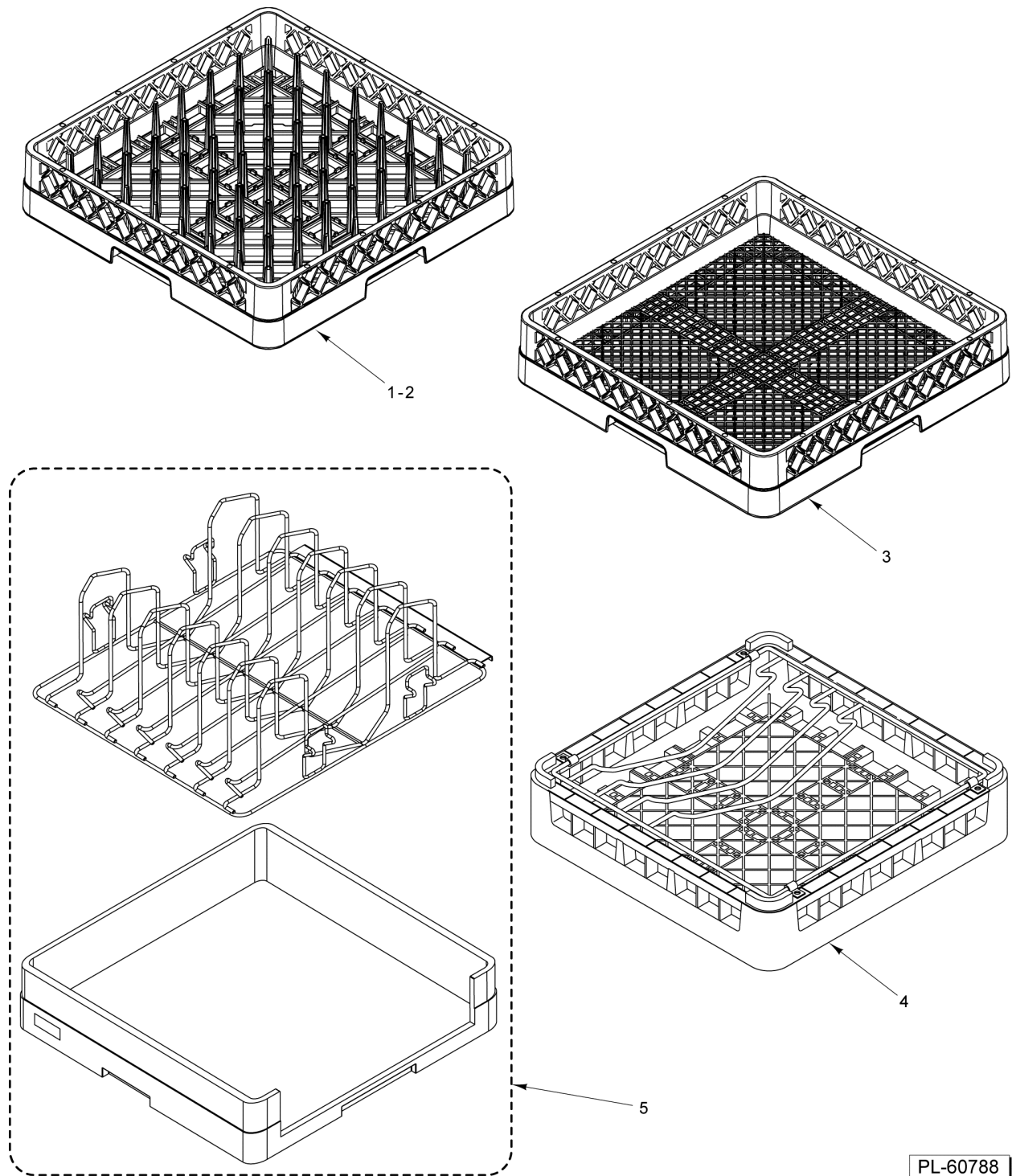
NOTES



**STEAM INJECTOR HEAT
(2 UNITS REQUIRED)**

**STEAM INJECTOR HEAT
(2 UNITS REQUIRED)**

ILLUS.	PART NO.	NAME OF PART	AMT.
PL-50790			
1	00-271110	Piping - Steam Injector (Incls. Items 2, 4, & 5).....	1
2	FP-085-05	Nipple 1 x 10 1/2 STOE (SST).....	1
3	FP-080-22	Nipple 3 /4 x 6 1/4 Lg. (TBE) (SST).....	1
4	00-288671	Silent Water Heater Assy.....	1
5	FP-054-44	Nipple 3/4 x 2 1/2 (TBE) (SST).....	1
6	FP-049-15	Elbow 3/4 x 90 Deg. (SST).....	1
	00-546292	Sealer - Pipe.....	AR
	00-545595	Sealer (1/8 Rd).....	AR



DISH RACKS

DISH RACKS

ILLUS.	PART NO.	NAME OF PART	AMT.
PL-60788			
1	00-315191	Rack - Peg (Packaged) (Shown).....	1
2	00-295288	Peg Type Tray Rack (Packaged) (Open End) (Not Shown).....	1
3	00-315193	Rack - Combination (Packaged).....	1
4	00-892671	Rack - Bun Pan (Packaged).....	1
5	00-936838-00009	Rack (6-Pan) (Packaged).....	1

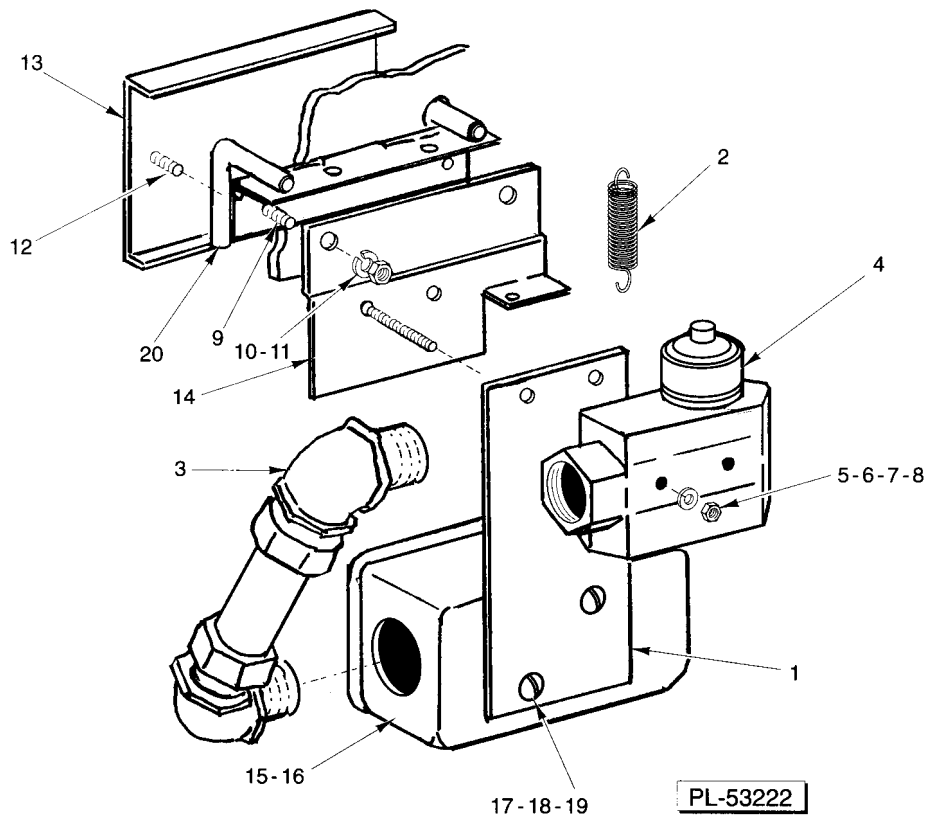


TABLE LIMIT SWITCH

TABLE LIMIT SWITCH

ILLUS.	PART NO.	NAME OF PART	AMT.
1	00-277559	Bracket.....	1
2	00-064165-00003	Spring - Connection.....	1
3	FE-006-37	Elbow 90 Deg.Short (1/2 Male Thd. x 1/2 Thinwall).....	2
4	00-087711-060-1	Switch - Interlock.....	1
5	SC-027-24	Mach. Screw 6-32 x 1-1/2 Slotted Rd. Hd. (Brass).....	2
6	WS-002-06	Washer (Brass).....	2
7	NS-010-06	Nut 6-32 Hex (Brass).....	2
8	WL-014-03	Lockwasher 6 External Shakeproof.....	2
9	00-081921	Mach. Screw 10-24 x 1/2 Trimmed Hex Hd.....	2
10	WS-023-06	Washer.....	2
11	WL-006-06	Lockwasher 10 Light.....	2
12	SC-053-02	Mach. Screw 10-24 x 1/2 Truss Hd. SST.....	2
13	087326	Plate - Actuator.....	1
14	00-812936	Bracket - Interlock Switch.....	1
15	FE-004-24	Cover - Junction Box.....	1
16	FE-003-19	Box - Junction.....	1
17	SC-066-06	Mach. Screw 10-24 x 1/2 Phil. Truss Hd. (SST).....	2
18	WL-006-06	Lockwasher 10 Light.....	2
19	NS-011-18	Mach. Nut 10-24 Hex SST.....	2
20	087332	Hinge Assy.....	1
	078752-4	Retainer (7/16").....	1
	ML-103368-0000Z	Table Limit Switch Assembly (Incls items 1 thru 20).....	1

