



# CATALOG OF REPLACEMENT PARTS



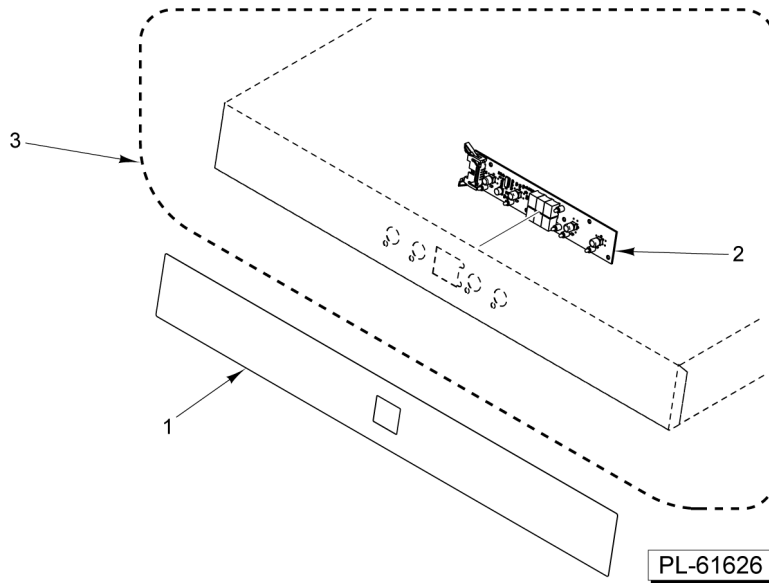
## CENTERLINE DOOR TYPE

CDH-1  
CDL-1



### Table of Contents

|    |  |
|----|--|
| 5  | CONTROL PANEL                            |
| 7  | ELECTRICAL COMPONENTS (HIGH TEMP.)       |
| 9  | ELECTRICAL COMPONENTS (LOW TEMP.)        |
| 11 | DOOR ASSEMBLY                            |
| 13 | WASH AND RINSE PUMPS (HIGH TEMP.)        |
| 15 | WASH AND RINSE PUMP (LOW TEMP.)          |
| 17 | WASH AND RINSE ARM ASSEMBLY (HIGH TEMP.) |
| 19 | WASH AND RINSE ARM ASSEMBLY (LOW TEMP.)  |
| 21 | DRAIN PUMP (HIGH TEMP.)                  |
| 23 | DRAIN PUMP (LOW TEMP.)                   |
| 25 | AIR GAP AND WATER FILL (HIGH TEMP.)      |
| 27 | AIR GAP AND WATER FILL (LOW TEMP.)       |
| 29 | BOOSTER (HIGH TEMP.)                     |
| 31 | CHEMICAL PUMP (HIGH TEMP.) (OPTIONAL)    |
| 33 | CHEMICAL PUMP (LOW TEMP.)                |
| 35 | PANELS (HIGH TEMP.)                      |
| 37 | PANELS (LOW TEMP.)                       |
| 39 | STRAINERS (HIGH TEMP.)                   |
| 41 | STRAINERS (LOW TEMP.)                    |



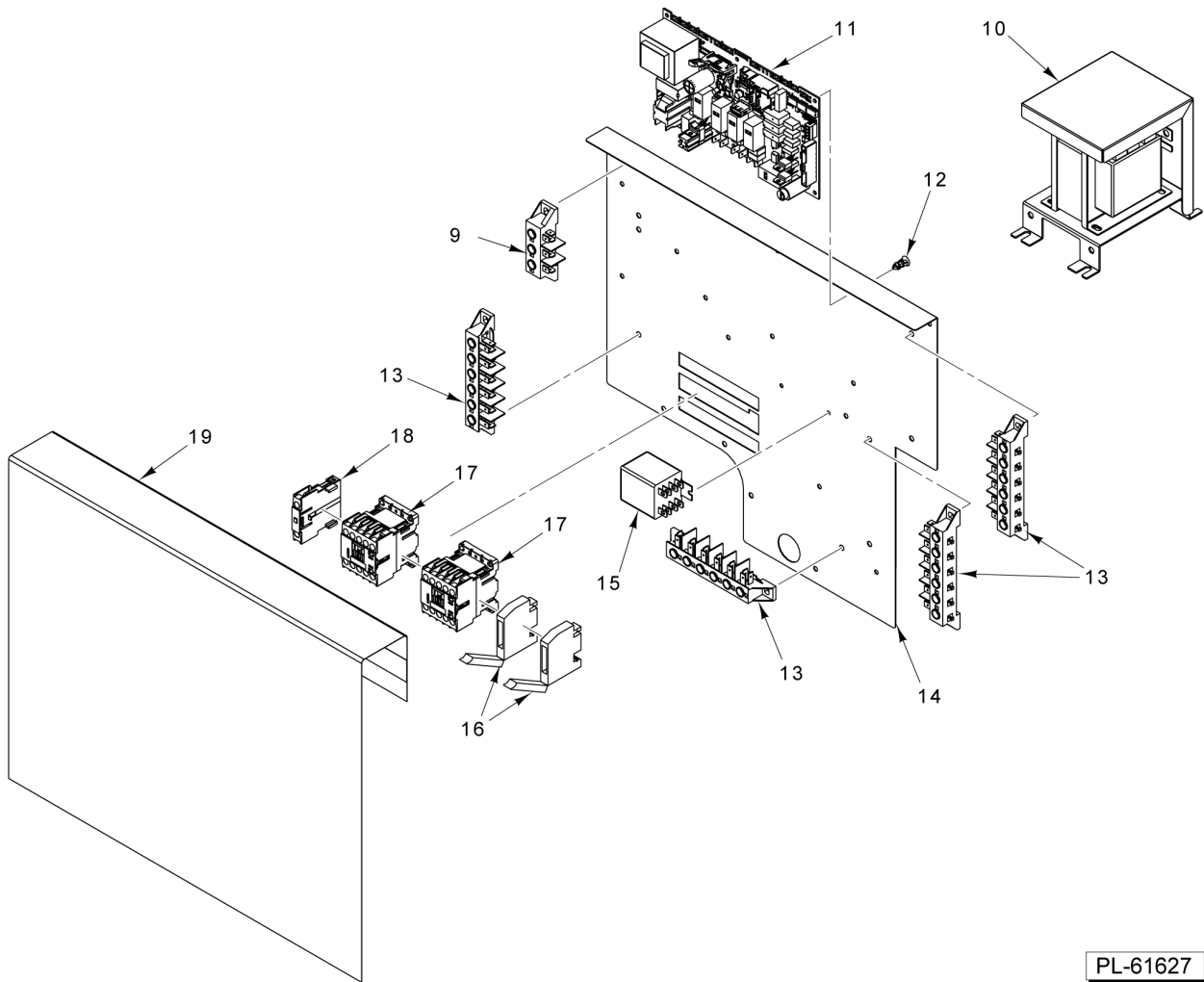
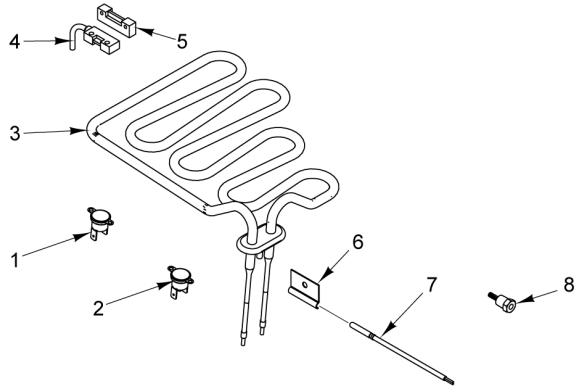
**CONTROL PANEL**

**CONTROL PANEL**

| <b>ILLUS.</b> | <b>PART NO.</b> | <b>NAME OF PART</b>   | <b>AMT.</b> |
|---------------|-----------------|---|-------------|
| 1             | 00-563331       | Overlay.....  | 1           |
| 2             |                 | Interface - Control.....                                      | 1           |
| 3             | 00-563612       | Kit - Control Panel (Incls. Item 2, & Mounting Hardware)..... | 1           |

- 20 FE-025-84 Fuse 250 V., 6.3 Amps. (1FU)
- 21 FE-027-23 Fuse 2 Amps. 250 VAC (2FU)
- 22 FE-027-23 Fuse 2 Amps. 250 VAC (3FU)
- 23 00-563346 Harness - Wiring
- 24 Designator CN22
- 25 EW-74933 Cable - User Interface
- 26 EW-203425-00001 Cable - Pressure Switch
- 27 00-563613-00001 Kit - Element
- 28 00-563615 Kit - Board

**PARTS NOT ILLUSTRATED**



PL-61627

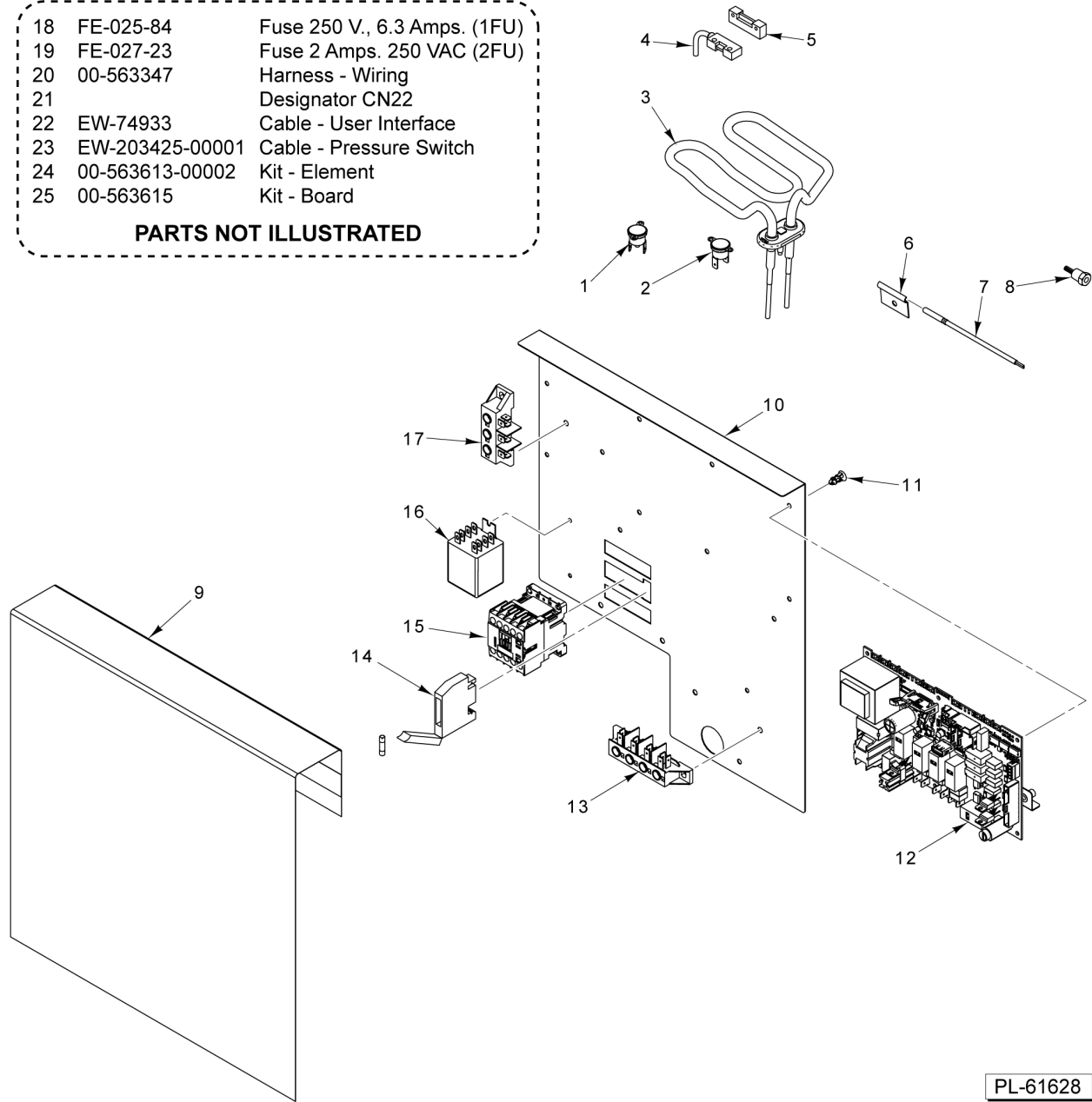
**ELECTRICAL COMPONENTS  
(HIGH TEMP.)**

**ELECTRICAL COMPONENTS  
(HIGH TEMP.)**

| ILLUS.   | PART NO.        | NAME OF PART  | AMT. |
|----------|-----------------|---|------|
| PL-61627 |                 |   |      |
| 1        | 00-562737       | Thermostat - Hi-Limit (90 Deg. C +/- 3 Deg. C).....                   | 1    |
| 2        | 00-562738       | Thermostat - Hi-Limit (127 Deg. C +/- 3 Deg. C).....                  | 1    |
| 3        |                 | Element - Heating (5 KW) (240 V.).....                                | 1    |
| 4        | 00-975182       | Switch - Door.....  | 1    |
| 5        | EW-927088       | Magnet.....   | 1    |
| 6        |                 | Bracket - Probe Holder.....   | 1    |
| 7        |                 | Temperature Probe.....  | 1    |
| 8        | 00-328994       | Probe Assy. - Rinse.....  | 1    |
| 9        | EW-220010       | Terminal Block.....   | 1    |
| 10       | 00-563200       | Kit - Transformer Assy.....   | 1    |
| 11       | 00-975125       | Control, Electronic 17-02.....  | 1    |
| 12       |                 | Standoff.....   | 6    |
| 13       | EW-220011       | Block - Terminal.....   | 4    |
| 14       | 00-563327       | Plate - Base.....   | 1    |
| 15       | 00-975194       | Relay.....  | 1    |
| 16       | EW-210010       | Holder - Fuse.....  | 2    |
| 17       | 00-975180       | Contactor.....  | 2    |
| 18       | 00-975181       | Switch - Contactor.....   | 1    |
| 19       | 00-563336-00001 | Cover.....  | 1    |
| 20       | FE-025-84       | Fuse - 250 V., 6.3 Amps. (1FU).....                                   | 1    |
| 21       | FE-027-23       | Fuse 2A 250 VAC (2FU).....  | 1    |
| 22       | FE-027-23       | Fuse 2A 250 VAC (3FU).....  | 1    |
| 23       | 00-563346       | Harness - Wiring.....   | 1    |
| 24       |                 | Designator CN22 (High Temp).....                                      | 1    |
| 25       | EW-74933        | Cable - User Interface.....   | 1    |
| 26       | EW-203425-00001 | Cable - Pressure Switch.....  | 1    |
| 27       | 00-563613-00001 | Kit - Element (Incls. Items 1 thru 3, 6, 7, & Mounting Hardware)..... | 1    |
| 28       | 00-563615       | Kit - Board (Incls. Items 11, 12, & 24).....                          | 1    |

- |    |                 |                              |
|----|-----------------|------------------------------|
| 18 | FE-025-84       | Fuse 250 V., 6.3 Amps. (1FU) |
| 19 | FE-027-23       | Fuse 2 Amps. 250 VAC (2FU)   |
| 20 | 00-563347       | Harness - Wiring             |
| 21 |                 | Designator CN22              |
| 22 | EW-74933        | Cable - User Interface       |
| 23 | EW-203425-00001 | Cable - Pressure Switch      |
| 24 | 00-563613-00002 | Kit - Element                |
| 25 | 00-563615       | Kit - Board                  |

**PARTS NOT ILLUSTRATED**

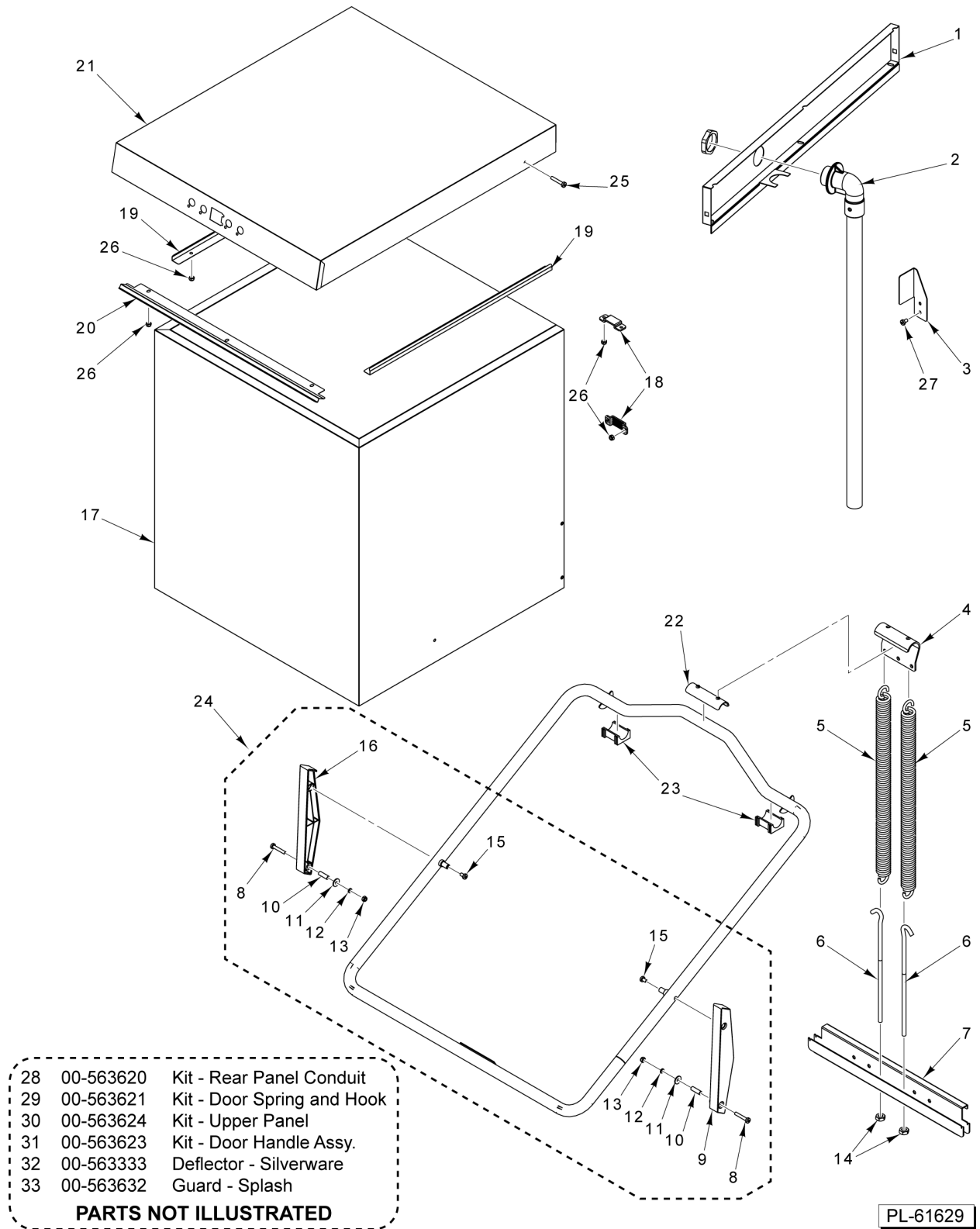


PL-61628

**ELECTRICAL COMPONENTS  
(LOW TEMP.)**

**ELECTRICAL COMPONENTS  
(LOW TEMP.)**

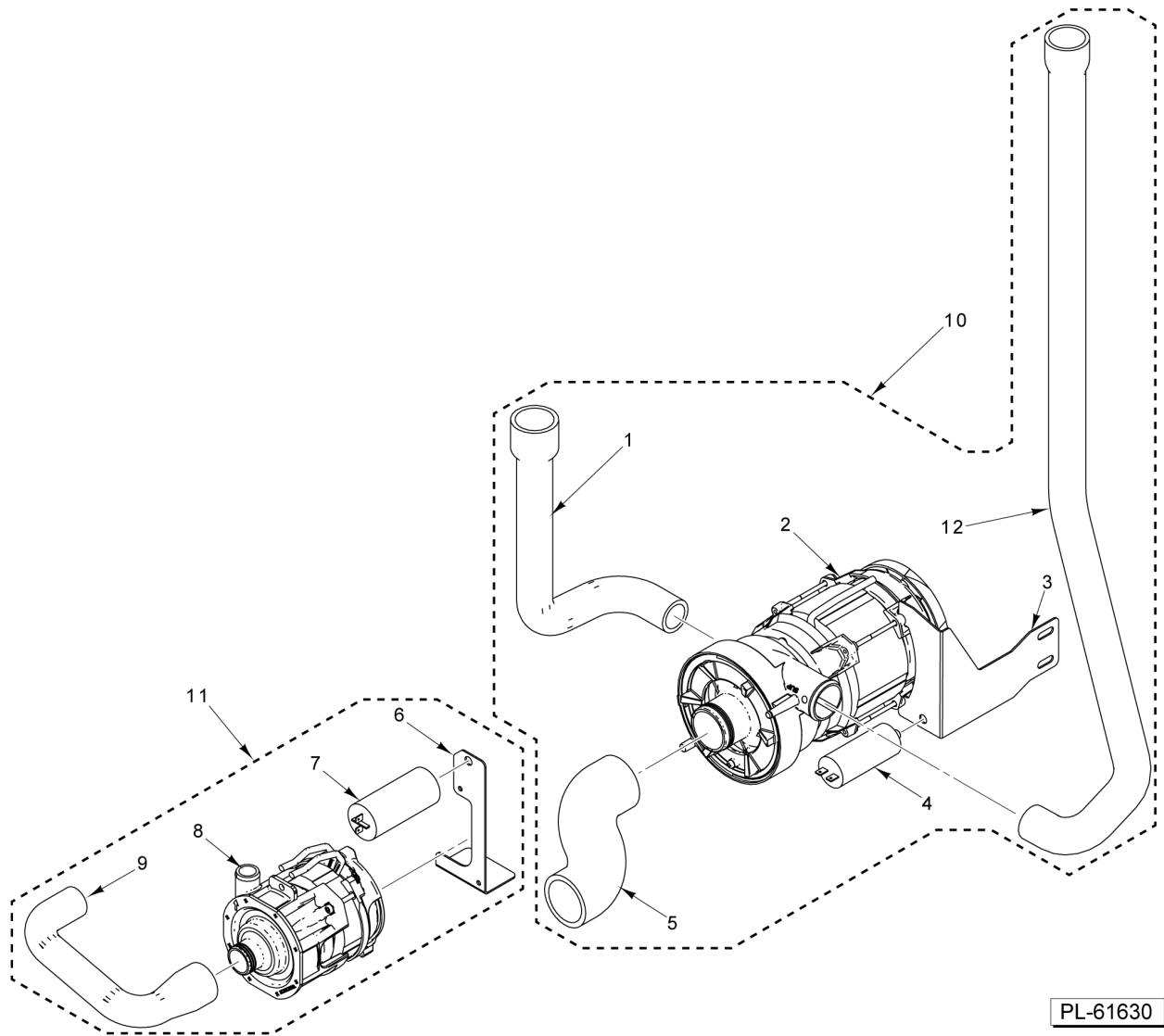
| ILLUS.   | PART NO.        | NAME OF PART   | AMT. |
|----------|-----------------|--|------|
| PL-61628 |                 |  |      |
| 1        | 00-562738       | Thermostat - Hi-Limit (127 Deg. C +/- 3 Deg. C)..... | 1    |
| 2        | 00-562737       | Thermostat - Hi-Limit (90 Deg. C +/- 3 Deg. C).....  | 1    |
| 3        |                 | Element - Heating.....                               | 1    |
| 4        | 00-975182       | Switch - Door.....                                   | 1    |
| 5        | EW-927088       | Magnet.....  | 1    |
| 6        | EW-775489-00001 | Bracket - Probe Holder.....                          | 1    |
| 7        | EW-231016       | Temperature Probe.....                               | 1    |
| 8        | 00-328994       | Probe Assy. - Rinse.....                             | 1    |
| 9        | 00-563336-00002 | Cover.....   | 1    |
| 10       | 00-563329       | Panel - Control.....                                 | 1    |
| 11       |                 | Standoff.....  | 6    |
| 12       | 00-975125       | Control, Electronic 17-02.....                       | 1    |
| 13       | EW-220011       | Block - Terminal.....                                | 1    |
| 14       | EW-210010       | Holder - Fuse.....                                   | 1    |
| 15       | 00-975180       | Contacto.....  | 1    |
| 16       | 00-975194       | Relay.....   | 1    |
| 17       | EW-220010       | Terminal Block.....                                  | 1    |
| 18       | FE-025-84       | Fuse - 250 V., 6.3 Amps. (1FU).....                  | 1    |
| 19       | FE-027-23       | Fuse 2A 250 VAC (2FU).....                           | 1    |
| 20       | 00-563347       | Harness - Wiring.....                                | 1    |
| 21       |                 | Designator CN22.....                                 | 1    |
| 22       | EW-74933        | Cable - User Interface.....                          | 1    |
| 23       | EW-203425-00001 | Cable - Pressure Switch.....                         | 1    |
| 24       | 00-563613-00002 | Kit - Element (Incls. Items 1 thru 3, 6, & 7).....   | 1    |
| 25       | 00-563615       | Kit - Board (Incls. Items 11, 12, & 21).....         | 1    |



**DOOR ASSEMBLY**

**DOOR ASSEMBLY**

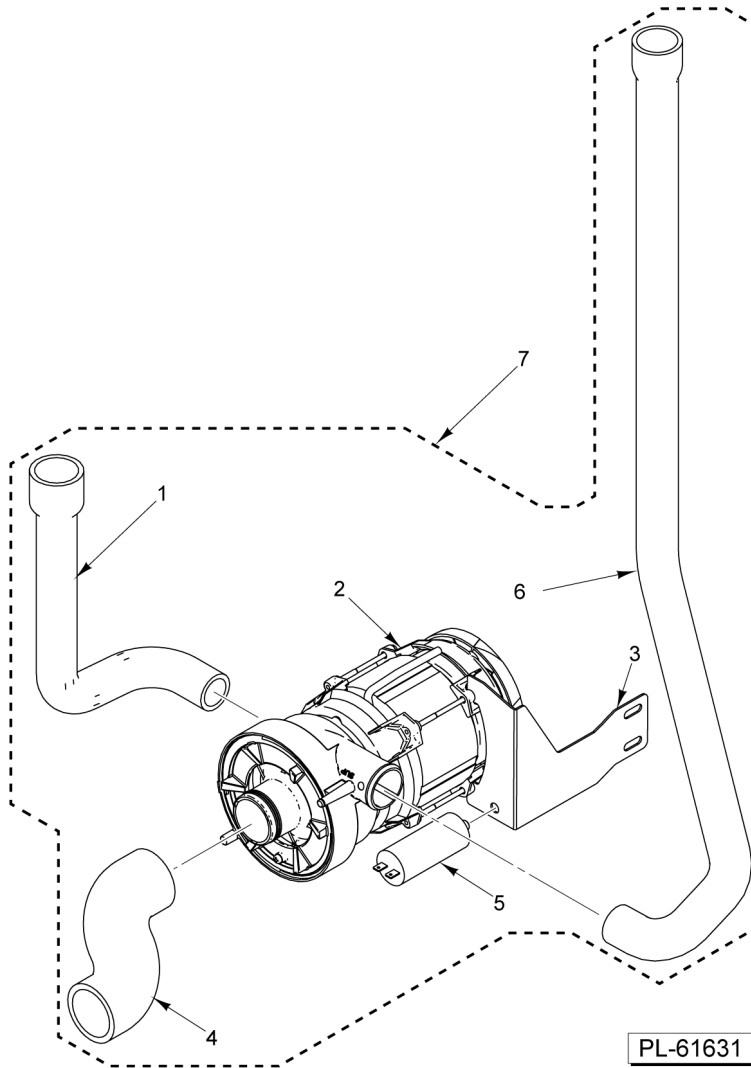
| ILLUS.<br>PL-61629 | PART NO.   | NAME OF PART  | AMT. |
|--------------------|------------|---|------|
| 1                  |            | Panel.....  | 1    |
| 2                  |            | Tube.....   | 1    |
| 3                  | EW-074469  | Bracket.....  | 1    |
| 4                  |            | Bracket - Spring Hook.....  | 1    |
| 5                  |            | Spring.....   | 2    |
| 6                  |            | Hook - Spring Adjustment.....                                       | 2    |
| 7                  | EW-074923  | Bracket.....  | 1    |
| 8                  |            | Screw M6.....   | 2    |
| 9                  |            | Lever - Hood.....   | 1    |
| 10                 |            | Spacer.....   | 2    |
| 11                 |            | Washer.....   | 2    |
| 12                 |            | Washer.....   | 2    |
| 13                 |            | Nut.....  | 2    |
| 14                 | EW-CDZ208R | Nut.....  | AR   |
| 15                 |            | Screw M6 x 10.....  | 2    |
| 16                 |            | Lever - Hood.....   | 1    |
| 17                 | EW-074141  | Door Assy.....  | 1    |
| 18                 | EW-070368  | Bracket.....  | 1    |
| 19                 | EW-074439  | Bracket.....  | 2    |
| 20                 | EW-074438  | Bracket - Upper Panel.....  | 1    |
| 21                 |            | Panel - Upper.....  | 1    |
| 22                 |            | Shoe - Spring Hook.....   | 1    |
| 23                 |            | Support - Handle.....   | 2    |
| 24                 | 00-563622  | Kit - Door Pivot (Incls. Items 4, 8 thru 13, 15, 16, 22, & 23)..... | 1    |
| 25                 | EW-486181  | Screw (SST).....  | AR   |
| 26                 | EW-CDZ204R | Nut - Flanged M4.....   | AR   |
| 27                 | EW-486193  | Screw M5 x 12.....  | AR   |
| 28                 | 00-563620  | Kit - Rear Panel Conduit (Incls. Items 1 & 2).....                  | AR   |
| 29                 | 00-563621  | Kit - Door Spring and Hook (Incls. Items 5 & 6).....                | AR   |
| 30                 | 00-563614  | Kit - Upper Panel (Incls. Item 21 and Overlay).....                 | AR   |
| 31                 | 00-563623  | Kit - Door Handle Assy.....   | AR   |
| 32                 | 00-563333  | Deflector - Silverware (CDL-1).....                                 | AR   |
| 33                 | 00-563632  | Guard - Splash (CDH-1).....   | AR   |



**WASH AND RINSE PUMPS  
(HIGH TEMP.)**

**WASH AND RINSE PUMPS  
(HIGH TEMP.)**

| ILLUS.   | PART NO.        | NAME OF PART                                  | AMT. |
|----------|-----------------|---|------|
| PL-61630 |                 |   |      |
| 1        |                 | Hose - Lower Pump.....                        | 1    |
| 2        |                 | Pump - Wash (700 W., 208-240V).....           | 1    |
| 3        |                 | Bracket - Capacitor.....                      | 1    |
| 4        | 00-562464-00005 | Capacitor (12.5 uF).....                      | 1    |
| 5        |                 | Hose - Suction.....                           | 1    |
| 6        |                 | Bracket - Rinse Pump.....                     | 1    |
| 7        | 00-562464-00003 | Capacitor (4 uF).....                         | 1    |
| 8        |                 | Pump - Rinse (150 W., 230 V.).....            | 1    |
| 9        |                 | Hose - Suction.....                           | 1    |
| 10       | 00-563616-00001 | (Incls. Items 1 thru 5, & 12).....            | 1    |
| 11       | 00-563630       | Kit - Rinse Pump (Incls. Items 6 thru 9)..... | 1    |
| 12       | 00-563209       | Hose - Upper Manifold.....                    | 1    |

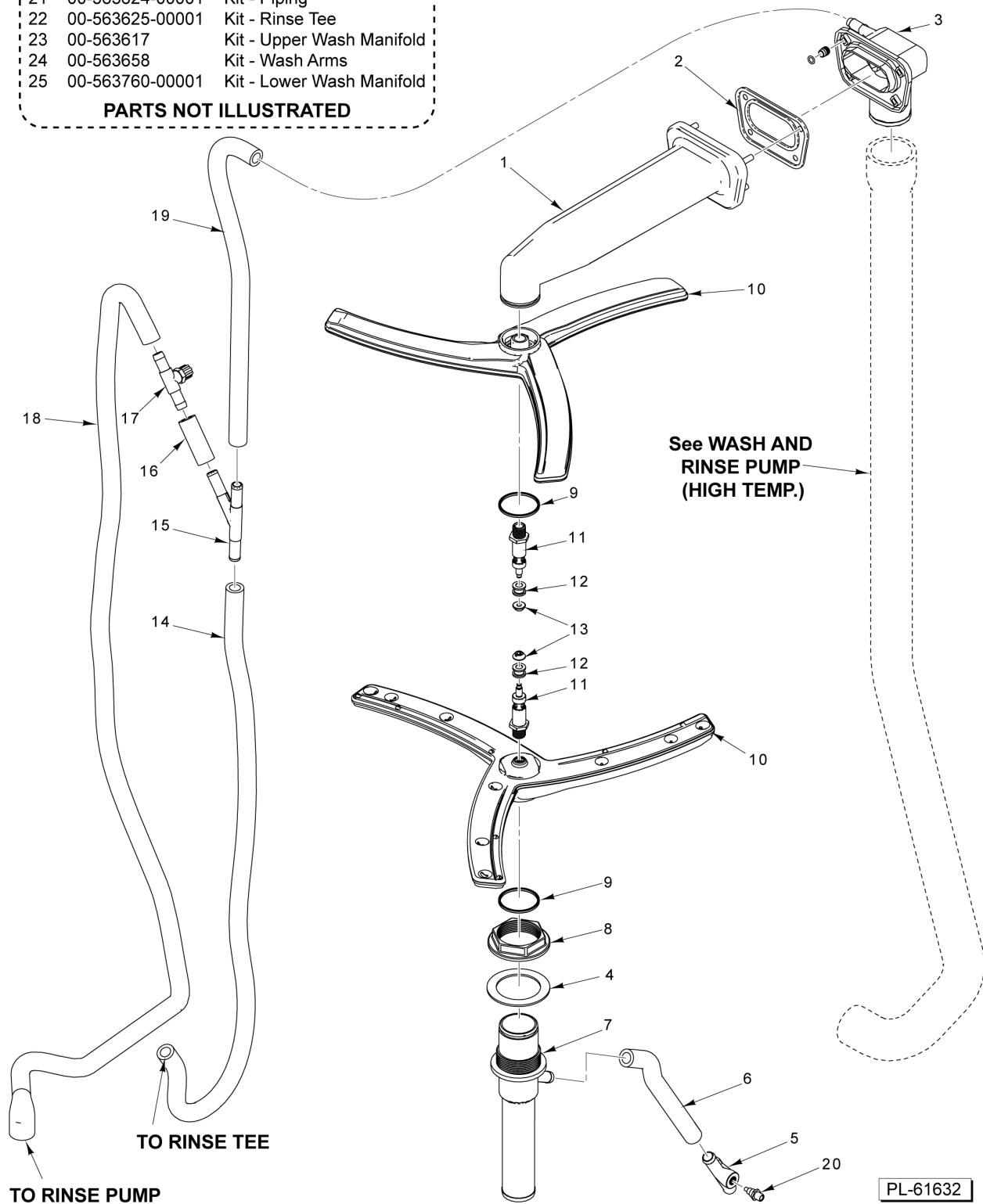


**WASH AND RINSE PUMP  
(LOW TEMP.)**

**WASH AND RINSE PUMP  
(LOW TEMP.)**

| ILLUS.   | PART NO.        | NAME OF PART  | AMT. |
|----------|-----------------|---|------|
| PL-61631 |                 |   |      |
| 1        |                 | Hose - Wash.....  | 1    |
| 2        |                 | Wash - Pump.....  | 1    |
| 3        |                 | Bracket - Capacitor.....                                  | 1    |
| 4        |                 | Hose - Wash.....  | 1    |
| 5        | 00-562464-00002 | Capacitor (30 uF).....                                    | 1    |
| 6        | 00-563209       | Hose - Upper Manifold.....                                | 1    |
| 7        | 00-563616-00002 | Kit - Pump Motor (Low Temp.) (Incls. Items 1 thru 6)..... | AR   |

- |    |                 |                           |
|----|-----------------|---------------------------|
| 21 | 00-563624-00001 | Kit - Piping              |
| 22 | 00-563625-00001 | Kit - Rinse Tee           |
| 23 | 00-563617       | Kit - Upper Wash Manifold |
| 24 | 00-563658       | Kit - Wash Arms           |
| 25 | 00-563760-00001 | Kit - Lower Wash Manifold |
- PARTS NOT ILLUSTRATED**



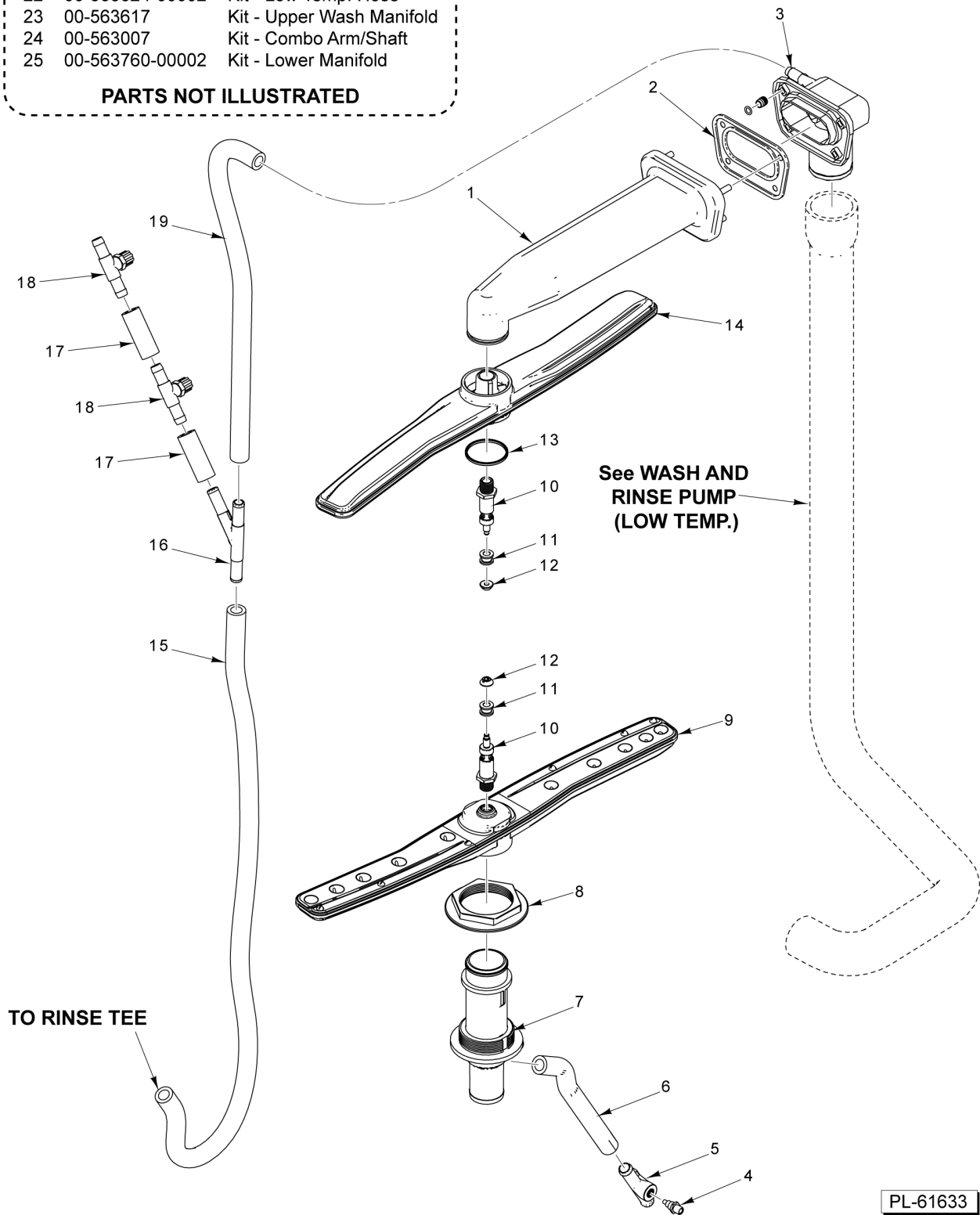
**WASH AND RINSE ARM ASSEMBLY  
(HIGH TEMP.)**

**WASH AND RINSE ARM ASSEMBLY  
(HIGH TEMP.)**

| ILLUS.<br>PL-61632 | PART NO.        | NAME OF PART  | AMT. |
|--------------------|-----------------|---|------|
| 1                  |                 | Manifold Assy. (Upper).....                                 | 1    |
| 2                  |                 | Gasket.....   | 1    |
| 3                  |                 | Fitting - Wash.....   | 1    |
| 4                  | EW-075873       | Gasket.....   | 1    |
| 5                  |                 | Tee.....  | 1    |
| 6                  |                 | Hose - Rinse (Lower Manifold).....                          | 1    |
| 7                  | EW-074013       | Manifold Assy. (Lower).....                                 | 1    |
| 8                  | EW-075872       | Nut.....  | 1    |
| 9                  | EW-303040       | Sealing Ring - Wash.....                                    | 2    |
| 10                 |                 | Wash Arm Assy.....  | 2    |
| 11                 |                 | Shaft.....  | 2    |
| 12                 |                 | Bushing.....  | 2    |
| 13                 |                 | Guide.....  | 2    |
| 14                 |                 | Hose - Rinse (Lower).....                                   | 1    |
| 15                 |                 | Junction.....   | 1    |
| 16                 |                 | Hose - Fill 10mm ID x 17mm OD.....                          | 1    |
| 17                 |                 | Tee.....  | 1    |
| 18                 |                 | Hose - Rinse.....   | 1    |
| 19                 |                 | Hose - Rinse (Upper).....                                   | 1    |
| 20                 | 00-328994       | Probe Assy. - Rinse.....                                    | 1    |
| 21                 | 00-563624-00001 | Kit - Piping (Incls. Items 5, 6, & 14 thru 19).....         | 1    |
| 22                 | 00-563625-00001 | Kit - Rinse Tee (Incls. Items 7, 15, & 17).....             | 1    |
| 23                 | 00-563617       | Kit - Upper Wash Manifold (Incls. Items 1 thru 3, & 9)..... | 1    |
| 24                 | 00-563658       | Kit - Wash Arm (High Temp) (Incls. Items 10 thru 13).....   | 1    |
| 25                 | 00-563760-00001 | Kit - Lower Wash Manifold (Incls. Items 4, 7 thru 9).....   | 1    |

- |    |                 |                           |
|----|-----------------|---------------------------|
| 21 | 00-563625-00002 | Kit - Low Temp. Rinse Tee |
| 22 | 00-563624-00002 | Kit - Low Temp. Hose      |
| 23 | 00-563617       | Kit - Upper Wash Manifold |
| 24 | 00-563007       | Kit - Combo Arm/Shaft     |
| 25 | 00-563760-00002 | Kit - Lower Manifold      |

**PARTS NOT ILLUSTRATED**

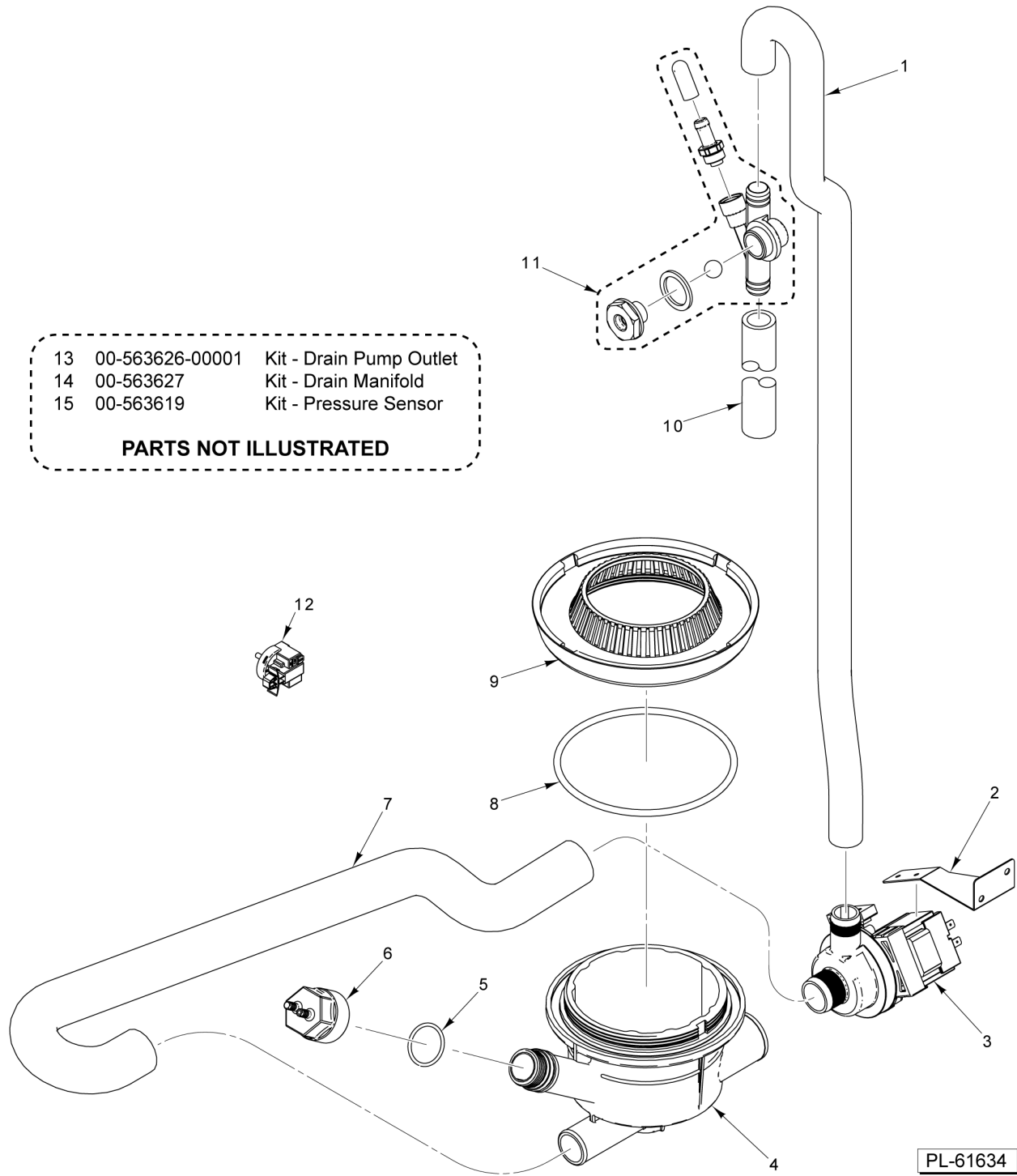


**WASH AND RINSE ARM ASSEMBLY  
(LOW TEMP.)**

PL-61633

**WASH AND RINSE ARM ASSEMBLY  
(LOW TEMP.)**

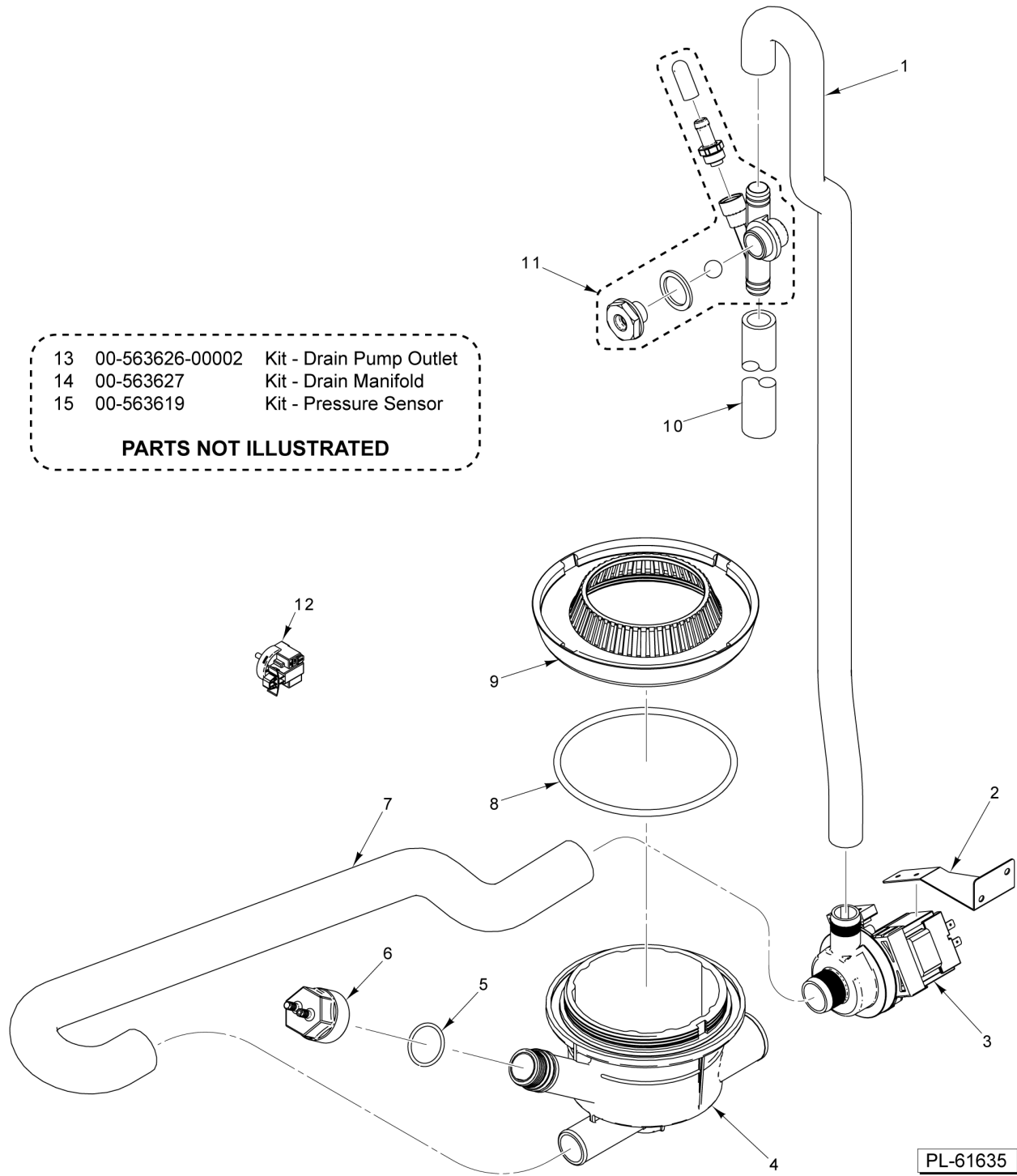
| ILLUS.<br>PL-61633 | PART NO.        | NAME OF PART   | AMT. |
|--------------------|-----------------|--|------|
| 1                  |                 | Manifold Assy. (Upper).....                                  | 1    |
| 2                  |                 | Gasket.....  | 1    |
| 3                  |                 | Fitting - Wash.....  | 1    |
| 4                  | 00-328994       | Probe Assy. - Rinse.....                                     | 1    |
| 5                  |                 | Tee.....   | 1    |
| 6                  |                 | Hose - Rinse (Lower).....                                    | 1    |
| 7                  | EW-069016       | Manifold Assy. (Lower).....                                  | 1    |
| 8                  | EW-429073       | Ring Nut - Lower Manifold.....                               | 1    |
| 9                  |                 | Wash Arm Assy. (Lower).....                                  | 1    |
| 10                 |                 | Shaft.....   | 2    |
| 11                 |                 | Bushing.....   | 2    |
| 12                 |                 | Guide.....   | 2    |
| 13                 | EW-303040       | Sealing Ring - Wash.....                                     | 1    |
| 14                 |                 | Wash Arm Assy. (Upper).....                                  | 1    |
| 15                 |                 | Hose - Rinse (Lower).....                                    | 1    |
| 16                 |                 | Junction.....  | 1    |
| 17                 |                 | Hose - Rinse Connector.....                                  | 2    |
| 18                 |                 | Tee.....   | 2    |
| 19                 |                 | Hose - Rinse (Upper).....                                    | 1    |
| 21                 | 00-563625-00002 | Kit - Low Temp. Rinse Tee (Incls. Items 5, 16, & 18).....    | 1    |
| 22                 | 00-563624-00002 | Kit - Low Temp. Hose (Incls. Items 5, 6, & 15 thru 19).....  | 1    |
| 23                 | 00-563617       | Kit - Upper Wash Manifold (Incls. Items 1 thru 3, & 13)..... | 1    |
| 24                 | 00-563007       | Kit - Combo Arm/Shaft (Incls. Items 9 thru 12).....          | 1    |
| 25                 | 00-563760-00002 | Kit - Lower Manifold (Incls. Items 7 & 8).....               | 1    |



**DRAIN PUMP  
(HIGH TEMP.)**

**DRAIN PUMP  
(HIGH TEMP.)**

| ILLUS.   | PART NO.        | NAME OF PART  | AMT. |
|----------|-----------------|---|------|
| PL-61634 |                 |   |      |
| 1        |                 | Hose.....   | 1    |
| 2        | 00-563217       | Bracket - Drain Pump.....                                 | 1    |
| 3        | 00-975141       | Pump - Drain (120 V.).....                                | 1    |
| 4        |                 | Body - Drain.....   | 1    |
| 5        |                 | O-Ring.....   | 1    |
| 6        |                 | Air Trap.....   | 1    |
| 7        | 00-563210       | Hose - Drain Inlet (High Temp).....                       | 1    |
| 8        |                 | Seal.....   | 1    |
| 9        |                 | Ring Nut - Drain Filter.....                              | 1    |
| 10       | 00-975170-00002 | Hose - Drain.....   | 1    |
| 11       | 01-240142-00001 | Anti-Siphon.....  | 1    |
| 12       |                 | Sensor - Pressure.....                                    | 1    |
| 13       | 00-563626-00001 | Kit - Drain Pump Hoses (Incls. Items 1 & 7).....          | 1    |
| 14       | 00-563627       | Kit - Drain Manifold (Incls. Items 4 thru 6, 8, & 9)..... | 1    |
| 15       | 00-563619       | Kit - Pressure Sensor (Incls. Items 5, 6, & 12).....      | 1    |



**DRAIN PUMP  
(LOW TEMP.)**

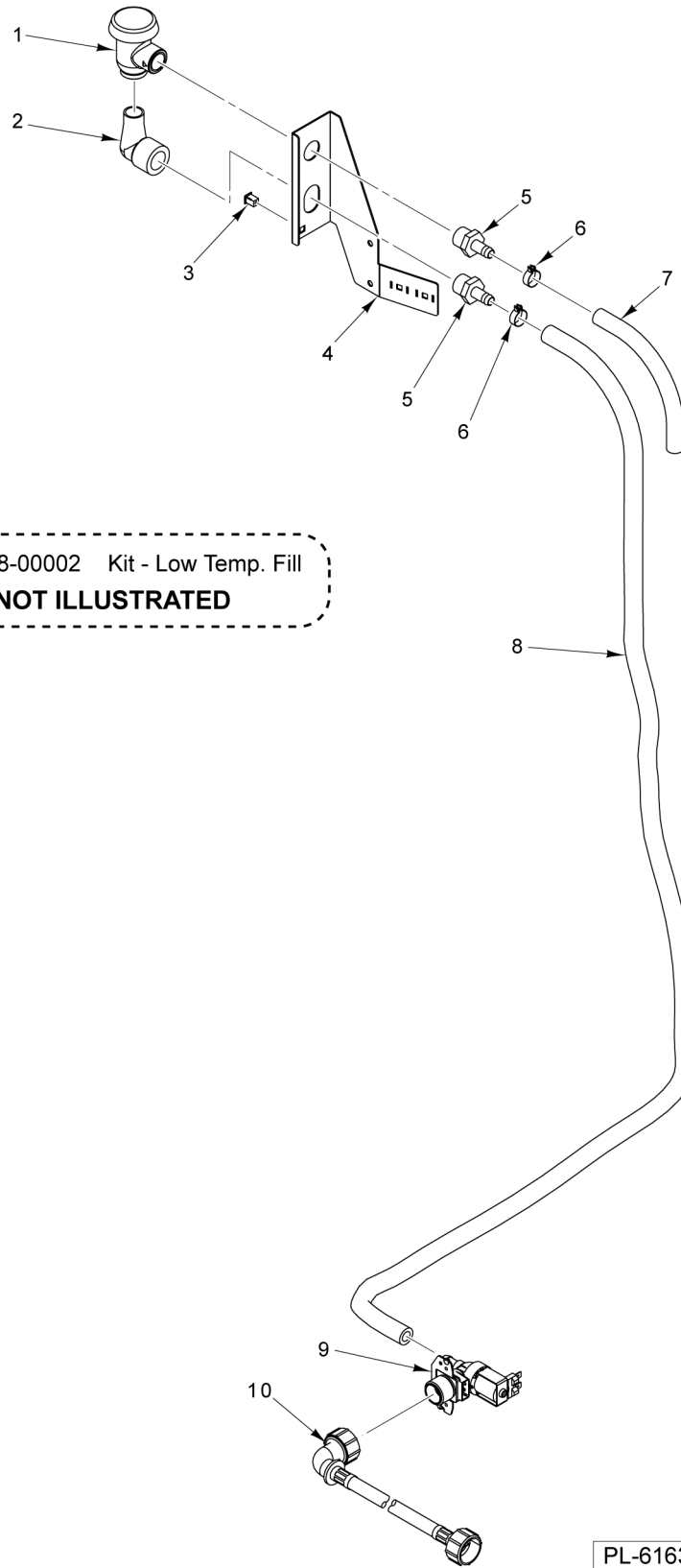
**DRAIN PUMP  
(LOW TEMP.)**

| ILLUS.   | PART NO.        | NAME OF PART  | AMT. |
|----------|-----------------|---|------|
| PL-61635 |                 |   |      |
| 1        |                 | Hose.....   | 1    |
| 2        | 00-563217       | Bracket - Drain Pump.....                                 | 1    |
| 3        | 00-975141       | Pump - Drain (120 V.).....                                | 1    |
| 4        |                 | Body - Drain.....   | 1    |
| 5        |                 | O-Ring.....   | 1    |
| 6        |                 | Air Trap.....   | 1    |
| 7        | EW-070097       | Hose - Drain Inlet (Low Temp).....                        | 1    |
| 8        |                 | Seal.....   | 1    |
| 9        |                 | Ring Nut - Drain Filter.....                              | 1    |
| 10       | 00-975170-00002 | Hose - Drain.....   | 1    |
| 11       | 01-240142-00001 | Anti-Siphon.....  | 1    |
| 12       |                 | Sensor - Pressure.....                                    | 1    |
| 13       | 00-563626-00002 | Kit - Drain Pump Hoses (Incls. Items 1 & 7).....          | 1    |
| 14       | 00-563627       | Kit - Drain Manifold (Incls. Items 4 thru 6, 8, & 9)..... | 1    |
| 15       | 00-563619       | Kit - Pressure Sensor (Incls. Items 5, 6, & 12).....      | 1    |



**AIR GAP AND WATER FILL  
(HIGH TEMP.)**

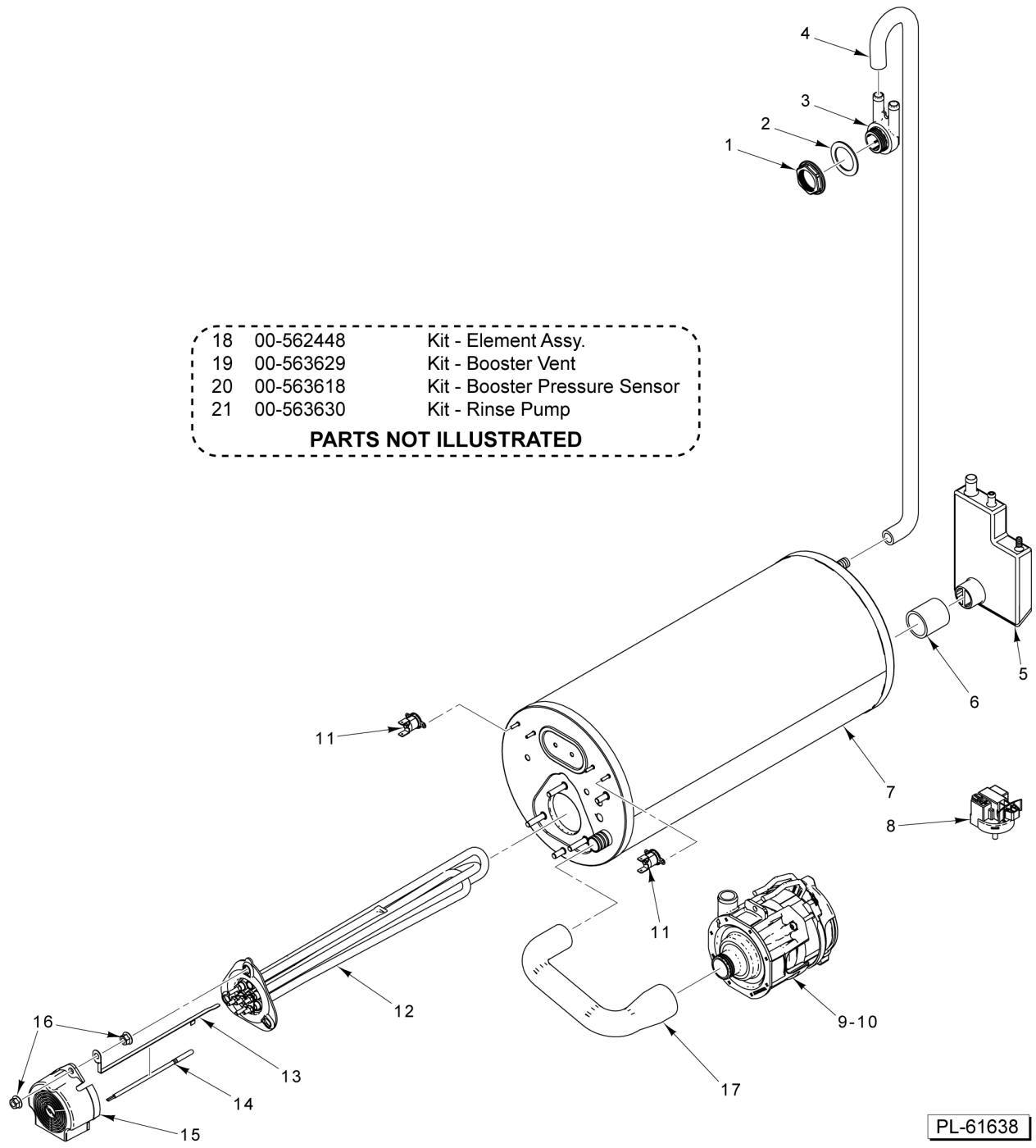
| ILLUS.   | PART NO.        | NAME OF PART                                      | AMT. |
|----------|-----------------|---|------|
| PL-61636 |                 |   |      |
| 1        | 01-297510-00001 | Air Gap.....                                      | 1    |
| 2        |                 | Hose.....   | 1    |
| 3        |                 | Hose.....   | 1    |
| 4        | 00-974952       | Nut - Adapter.....                                | 1    |
| 5        | 00-975178       | Fill Valve (120 V.).....                          | 1    |
| 6        | 00-975191-00002 | Fill Hose Assy.....                               | 1    |
| 7        |                 | Hose.....   | 1    |
| 8        | 00-941940       | Washer - Air Gap.....                             | 1    |
| 9        | 00-563628-00001 | Kit - Hot Water Fill (Incls. Items 1 thru 8)..... | 1    |



**AIR GAP AND WATER FILL  
(LOW TEMP.)**

**AIR GAP AND WATER FILL  
(LOW TEMP.)**

| ILLUS.   | PART NO.        | NAME OF PART   | AMT. |
|----------|-----------------|--|------|
| PL-61637 |                 |  |      |
| 1        | 00-292909-00003 | Vacuum Breaker (1/2).....                                  | 1    |
| 2        |                 | Fitting 90 Deg.....  | 1    |
| 3        |                 | Nutsert.....   | 1    |
| 4        |                 | Bracket - Vacuum Breaker.....                              | 1    |
| 5        |                 | Fitting - Straight.....                                    | 2    |
| 6        |                 | Clamp.....   | 2    |
| 7        |                 | Hose 10mm ID x 17mm OD.....                                | 1    |
| 8        |                 | Hose.....  | 1    |
| 9        | 00-975178       | Fill Valve (120 V.).....                                   | 1    |
| 10       | 00-975191       | Fill Hose Assy.....  | 1    |
| 11       | 00-563628-00002 | Kit - Low Temp. Fill (Incls. Items 1, 2, & 5 thru 10)..... | 1    |

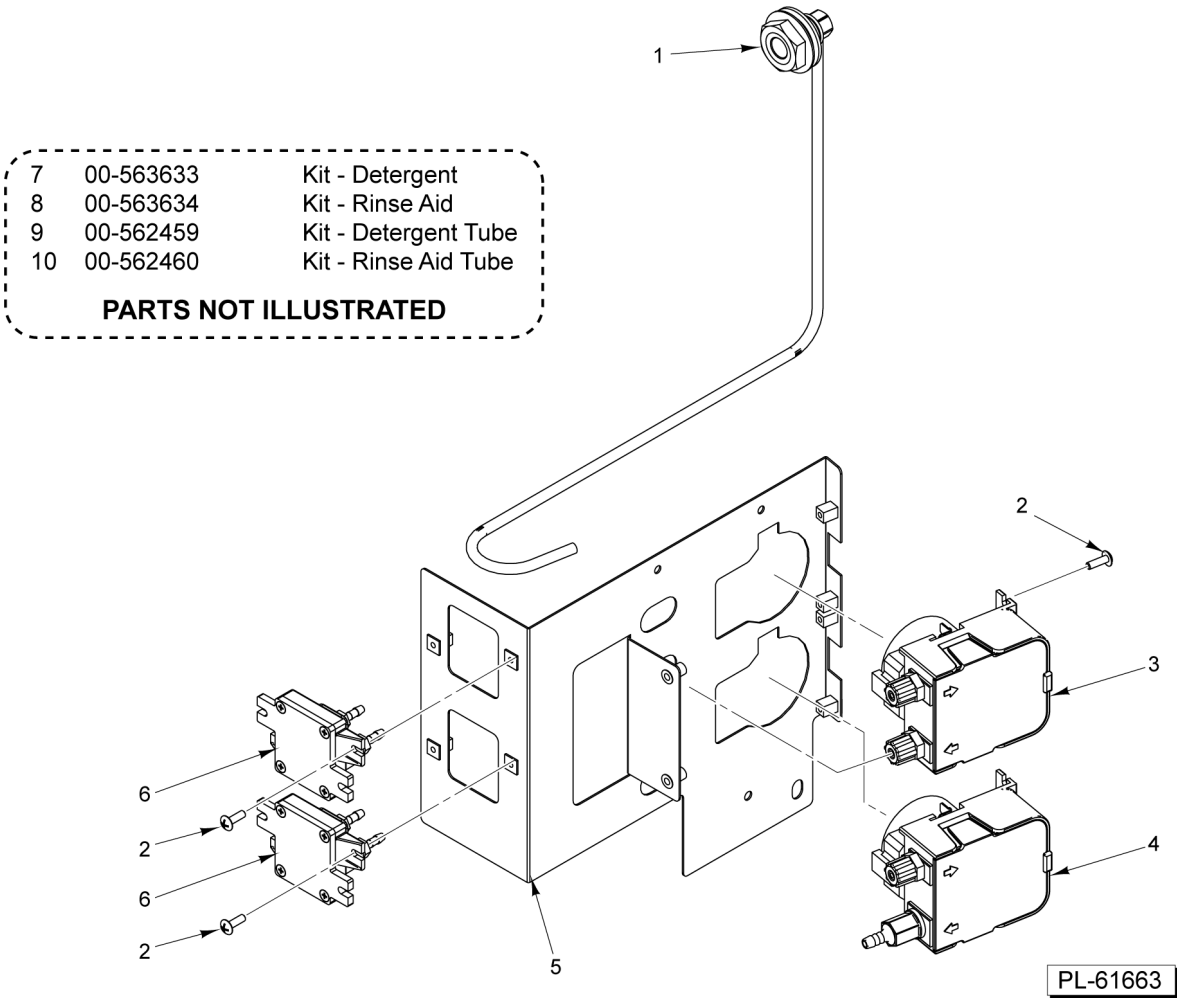


- |    |           |                               |
|----|-----------|-------------------------------|
| 18 | 00-562448 | Kit - Element Assy.           |
| 19 | 00-563629 | Kit - Booster Vent            |
| 20 | 00-563618 | Kit - Booster Pressure Sensor |
| 21 | 00-563630 | Kit - Rinse Pump              |
- PARTS NOT ILLUSTRATED**

**BOOSTER  
(HIGH TEMP.)**

**BOOSTER  
(HIGH TEMP.)**

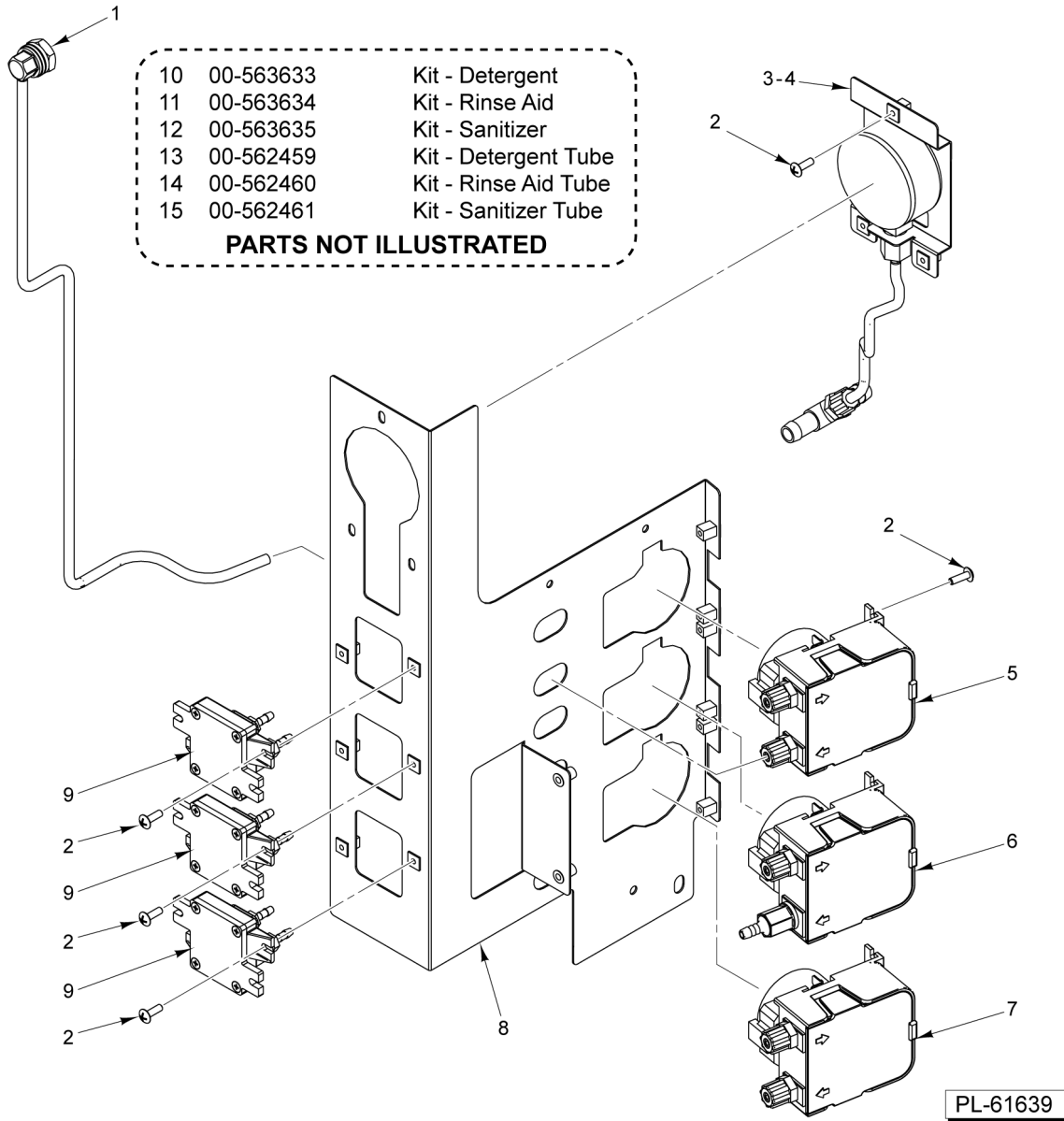
| ILLUS. | PART NO.        | NAME OF PART  | AMT. |
|--------|-----------------|---|------|
| 1      |                 | Nut - Ring.....   | 1    |
| 2      |                 | Gasket.....   | 1    |
| 3      |                 | Fitting - Pipe.....   | 1    |
| 4      |                 | Vent - Hose.....  | 1    |
| 5      |                 | Boiler - Loading System.....                                | 1    |
| 6      |                 | Hose - Booster.....   | 1    |
| 7      | 00-563222       | Tank - Booster.....   | 1    |
| 8      |                 | Switch - Pressure.....                                      | 1    |
| 9      |                 | Pump - Rinse (150 W., 230 V.).....                          | 1    |
| 10     | 00-562464-00004 | Capacitor (14 uF).....                                      | 1    |
| 11     | 00-942185       | Protector - High Limit.....                                 | 2    |
| 12     |                 | Element - Heating (6000 W.).....                            | 1    |
| 13     |                 | Holder - Temp. Probe.....                                   | 1    |
| 14     | EW-231016       | Temperature Probe.....                                      | 1    |
| 15     |                 | Cover - Heating Element.....                                | 1    |
| 16     |                 | Nut M6.....   | 4    |
| 17     |                 | Hose - Suction.....   | 1    |
| 18     | 00-562448       | Kit - Booster Element (Incls. Items 11 thru 16).....        | 1    |
| 19     | 00-563629       | Kit - Booster Vent (Incls. Items 1 thru 4).....             | 1    |
| 20     | 00-563618       | Kit - Booster Pressure Sensor (Incls. Items 5, 6, & 8)..... | 1    |
| 21     | 00-563630       | Kit - Rinse Pump (Incls. Items 9 & 17).....                 | 1    |



**CHEMICAL PUMP  
(HIGH TEMP.) (OPTIONAL)**

**CHEMICAL PUMP  
(HIGH TEMP.) (OPTIONAL)**

| ILLUS.   | PART NO.        | NAME OF PART                                     | AMT. |
|----------|-----------------|--|------|
| PL-61663 |                 |  |      |
| 1        |                 | Fitting - Tank.....                              | 1    |
| 2        |                 | Screw (SST).....                                 | AR   |
| 3        |                 | Pump - Dosing (Detergent).....                   | 1    |
| 4        |                 | Pump - Dosing (Rinse Aid).....                   | 1    |
| 5        | 00-563229-00001 | Mount - Chemical Pumps.....                      | 1    |
| 6        |                 | Float Sight Assy.....                            | 2    |
| 7        | 00-563633       | Kit - Detergent (Incls. Items 1 thru 3 & 6)..... | 1    |
| 8        | 00-563634       | Kit - Rinse Aid (Incls. Items 2, 4 & 6).....     | 1    |
| 9        | 00-562459       | Kit - Detergent Tube.....                        | 1    |
| 10       | 00-562460       | Kit - Rinse Aid Tube.....                        | 1    |

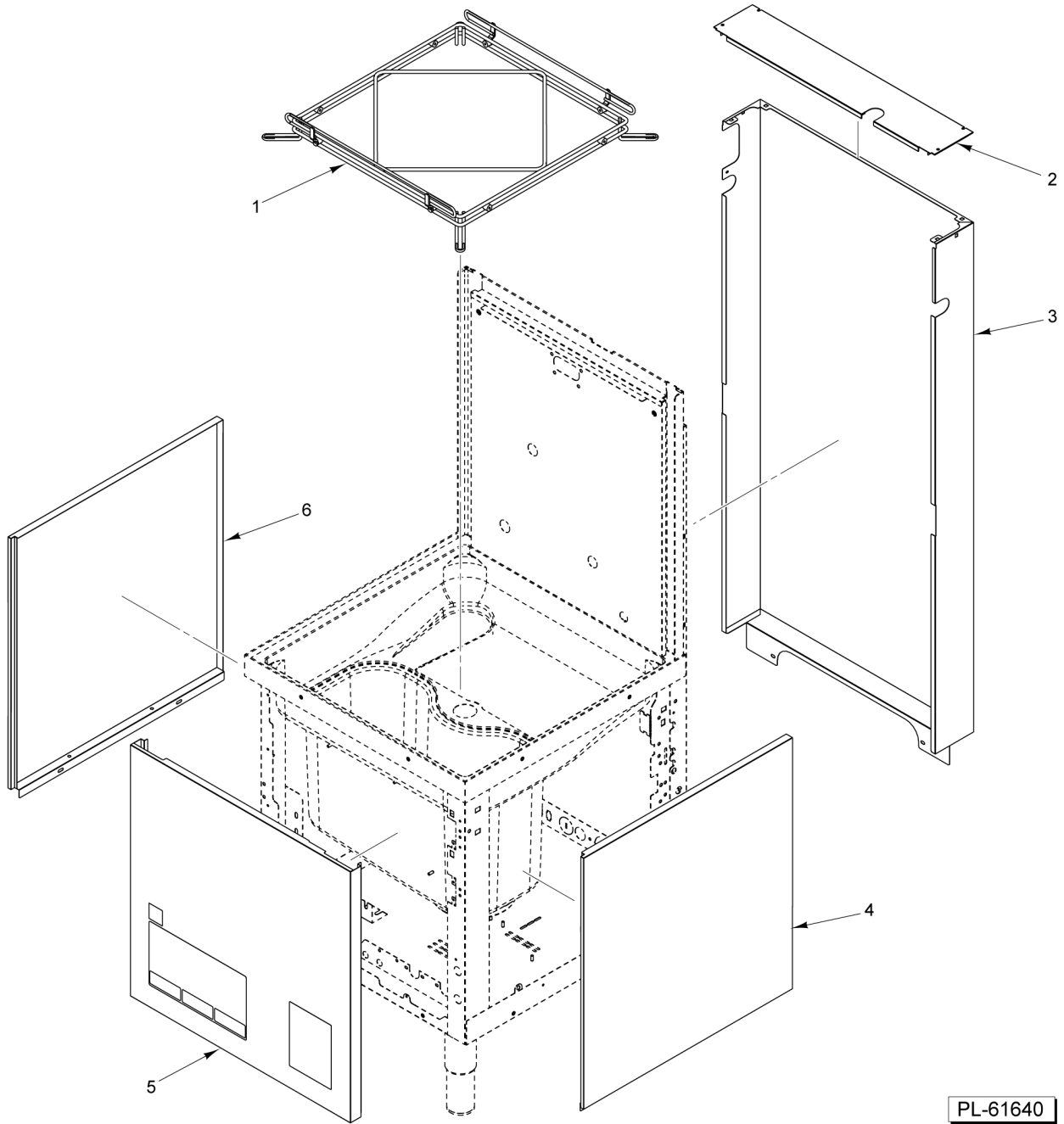


**CHEMICAL PUMP  
(LOW TEMP.)**

**CHEMICAL PUMP  
(LOW TEMP.)**

| ILLUS.   | PART NO.        | NAME OF PART                                 | AMT. |
|----------|-----------------|--|------|
| PL-61639 |                 |  |      |
| 1        |                 | Fitting - Tank.....                          | 1    |
| 2        |                 | Screw (SST).....                             | AR   |
| 3        | 00-563325       | Gauge Assy.....                              | 1    |
| 4        | 00-918429       | Gauge - Water Pressure.....                  | 1    |
| 5        |                 | Pump - Dosing (Detergent).....               | 1    |
| 6        |                 | Pump - Dosing (Rinse).....                   | 1    |
| 7        |                 | Pump - Dosing (Sanitizer).....               | 1    |
| 8        | 00-563229-00002 | Mount - Chemical Pumps.....                  | 1    |
| 9        |                 | Float Sight Assy.....                        | 3    |
| 10       | 00-563633       | Kit - Detergent (Incls. Items 1, 5 & 9)..... | 1    |
| 11       | 00-563634       | Kit - Rinse Aid (Incls. Items 6 & 9).....    | 1    |
| 12       | 00-563635       | Kit - Sanitizer (Incls. Items 7 & 9).....    | 1    |
| 13       | 00-562459       | Kit - Detergent Tube.....                    | 1    |
| 14       | 00-562460       | Kit - Rinse Aid Tube.....                    | 1    |
| 15       | 00-562461       | Kit - Sanitizer Tube.....                    | 1    |

7 00-563636 Kit - Rear Panel  
8 00-563631 Kit - Front Panel Labels  
**PARTS NOT ILLUSTRATED**



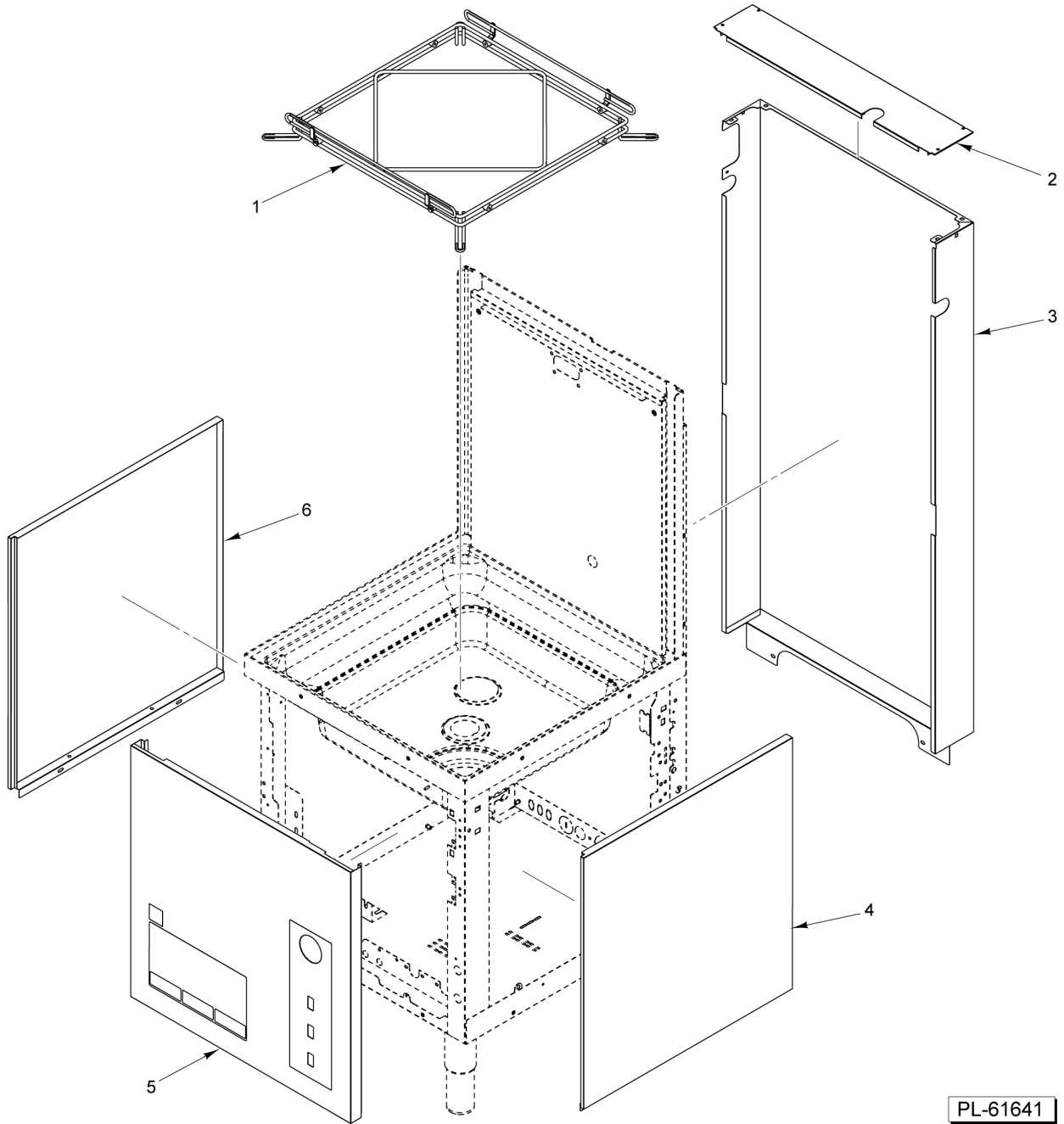
PL-61640

**PANELS  
(HIGH TEMP.)**

**PANELS  
(HIGH TEMP.)**

| ILLUS.   | PART NO.        | NAME OF PART                       | AMT. |
|----------|-----------------|------------------------------------|------|
| PL-61640 |                 |                                    |      |
| 1        | 00-563569       | Rack Assy.....                     | 1    |
| 2        |                 | Panel - Rear Cover.....            | 1    |
| 3        |                 | Panel - Rear.....                  | 1    |
| 4        | EW-069572       | Panel - Side (RH).....             | 1    |
| 5        | 00-563675-00001 | Panel - Front (Incls. Labels)..... | 1    |
| 6        | EW-069571       | Panel - Side (LH).....             | 1    |
| 7        | 00-563636       | Kit - Rear Panel.....              | 1    |
| 8        | 00-563631       | Kit - Front Panel Labels.....      | 1    |

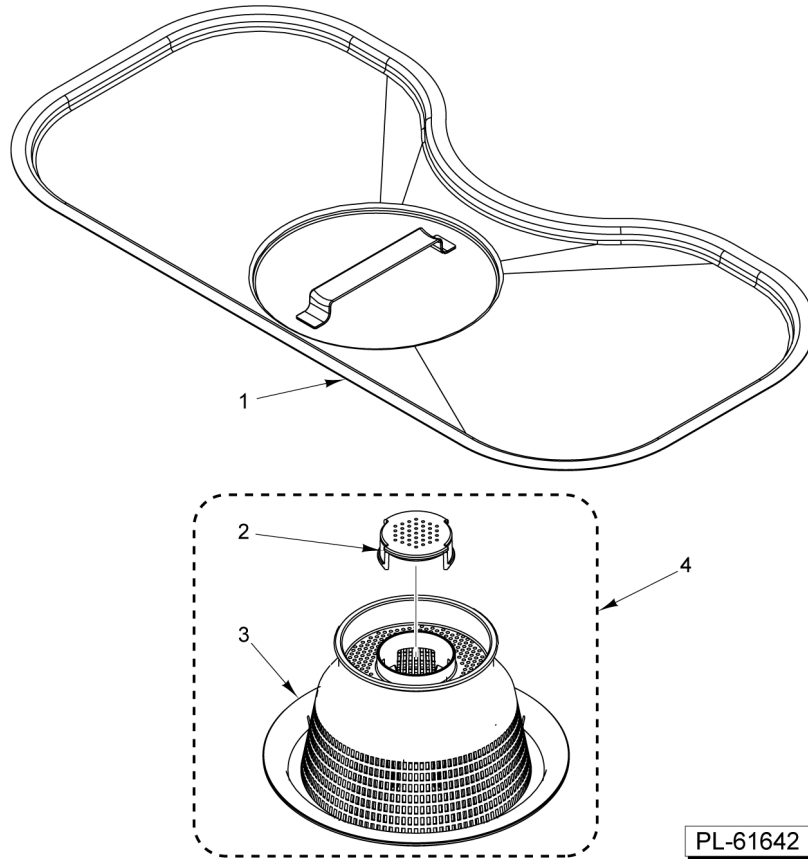
- 7 00-563636 Kit - Rear Panel
  - 8 00-563631 Kit - Front Panel Labels
- PARTS NOT ILLUSTRATED**



**PANELS  
(LOW TEMP.)**

**PANELS  
(LOW TEMP.)**

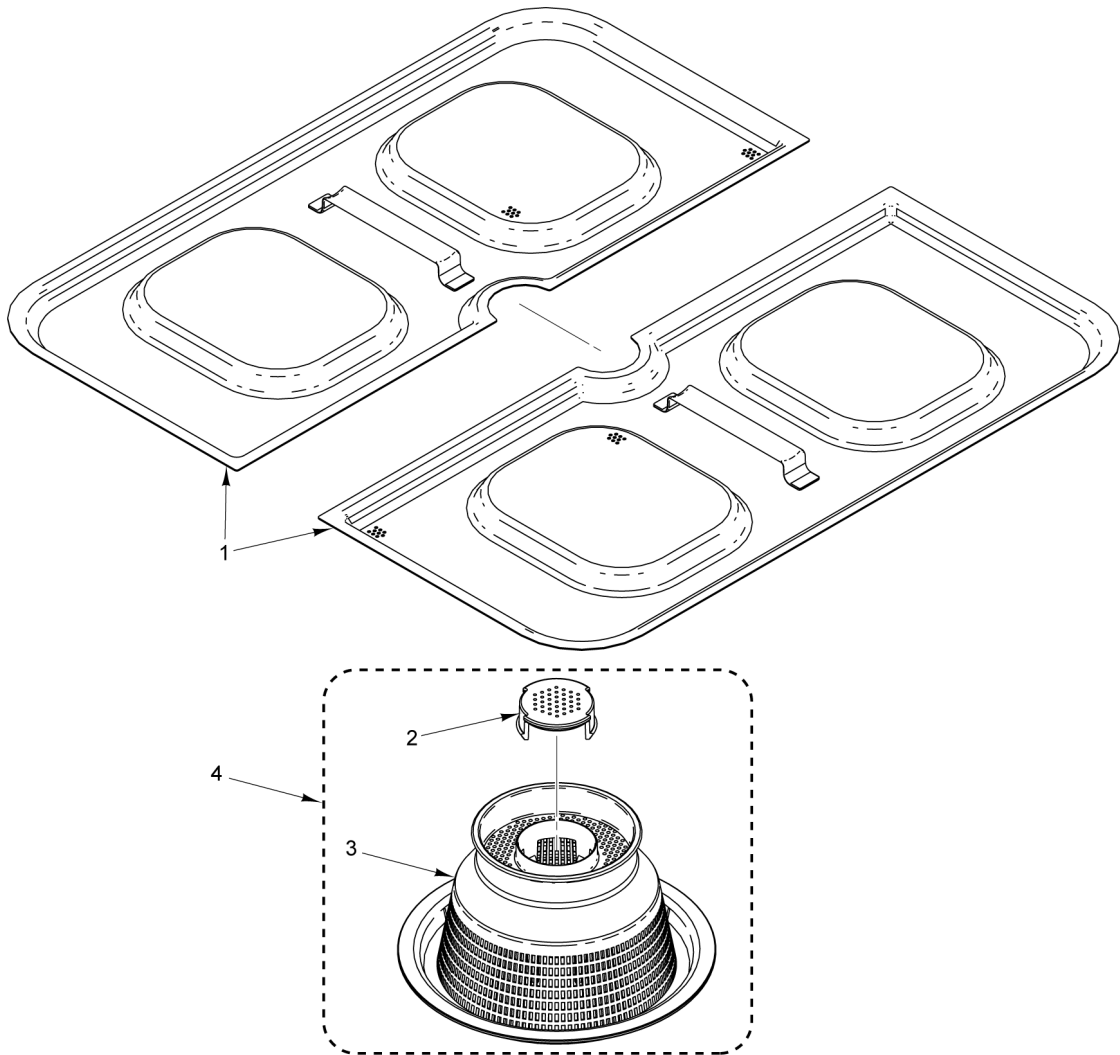
| ILLUS.   | PART NO.        | NAME OF PART                  | AMT. |
|----------|-----------------|-------------------------------|------|
| PL-61641 |                 |                               |      |
| 1        | 00-563569       | Rack Assy.....                | 1    |
| 2        |                 | Panel - Rear Cover.....       | 1    |
| 3        |                 | Panel - Rear.....             | 1    |
| 4        | EW-069572       | Panel - Side (RH).....        | 1    |
| 5        | 00-563675-00002 | Panel - Front.....            | 1    |
| 6        | EW-069571       | Panel - Side (LH).....        | 1    |
| 7        | 00-563636       | Kit - Rear Panel.....         | 1    |
| 8        | 00-563631       | Kit - Front Panel Labels..... | 1    |



**STRAINERS  
(HIGH TEMP.)**

**STRAINERS  
(HIGH TEMP.)**

| ILLUS.   | PART NO.  | NAME OF PART                                  | AMT. |
|----------|-----------|---|------|
| PL-61642 |           |   |      |
| 1        | EW-080410 | Strainer.....                                 | 1    |
| 2        |           | Plug - Strainer.....                          | 1    |
| 3        |           | Strainer - Pump.....                          | 1    |
| 4        | 00-562463 | Kit - Pump Strainer (Incls. Items 2 & 3)..... | 1    |



PL-61643

**STRAINERS  
(LOW TEMP.)**

**STRAINERS  
(LOW TEMP.)**

| ILLUS.   | PART NO.  | NAME OF PART                                  | AMT. |
|----------|-----------|---|------|
| PL-61643 |           |   |      |
| 1        | EW-121121 | Strainer.....                                 | 2    |
| 2        |           | Plug - Strainer.....                          | 1    |
| 3        |           | Strainer - Pump.....                          | 1    |
| 4        | 00-562463 | Kit - Pump Strainer (Incls. Items 2 & 3)..... | 1    |

