



CATALOG OF REPLACEMENT PARTS

CL64T DISHWASHER

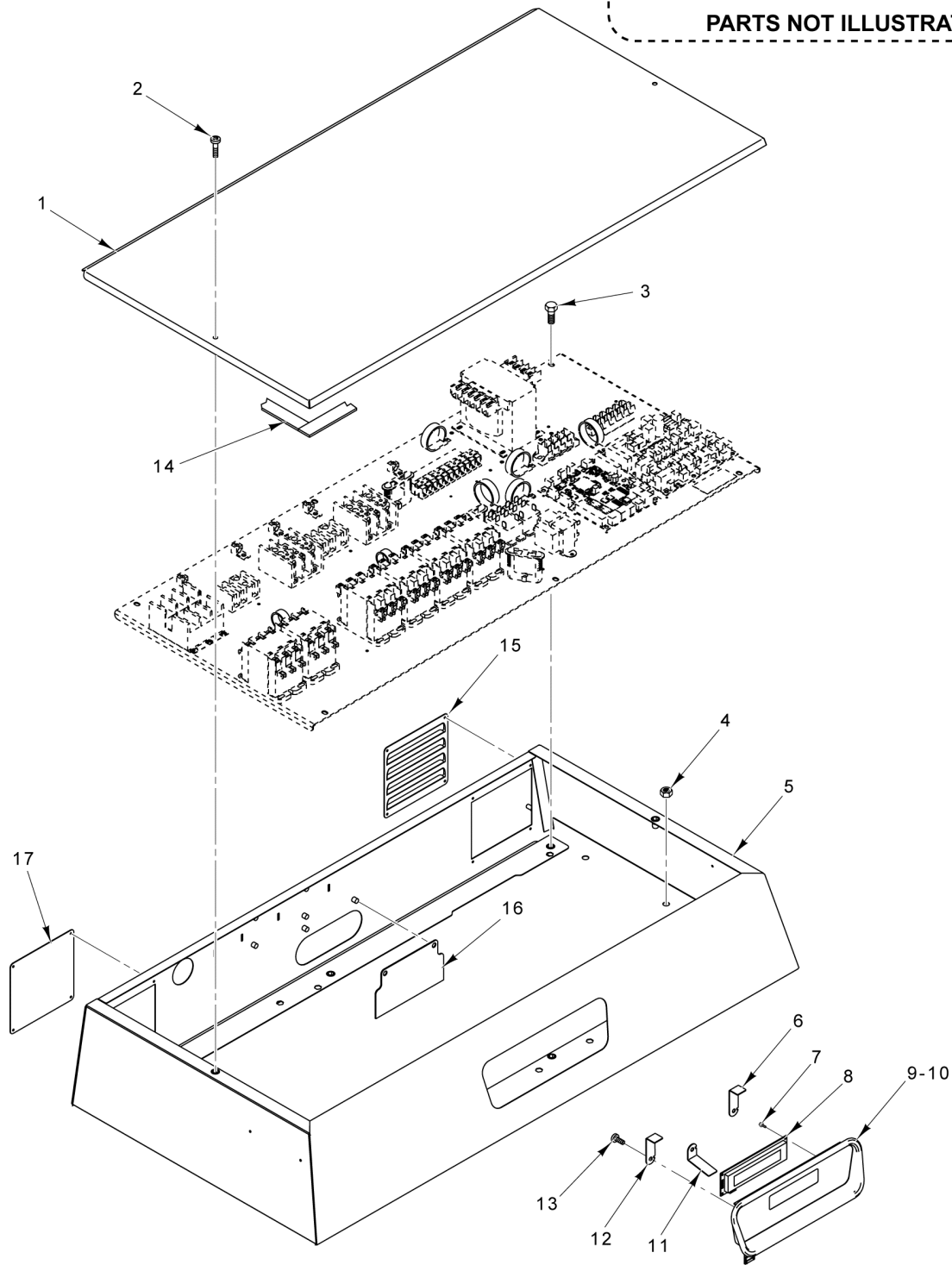


Table of Contents

5	CONTROL BOX
7	COMPONENT PANEL (ELECTRIC)
9	COMPONENT PANEL (VFD)
11	WASH MOTOR AND PUMP UNIT (2 UNITS REQUIRED)
13	CONVEYOR DRIVE MOTOR
15	CONVEYOR DRIVE
17	CONVEYOR STAND (ENTRANCE)
19	CONVEYOR STAND (EXIT)
21	CONVEYOR
23	GUIDE RAILS
25	UPPER WASH ARM (2 UNITS REQUIRED)
27	LOWER WASH ARM (R-L)
29	LOWER WASH ARM (L-R)
31	RINSE PIPING
33	DRAIN (WASH TANK)
35	DRAIN (POWER RINSE TANK)
37	DRAIN WATER TEMPERING
39	DOORS (PREVIOUS CONSTRUCTION)
41	DOORS (CURRENT CONSTRUCTION)
43	VENT HOOD AND UPPER PANELS
45	ELECTRIC HEAT AND FLOATS (2 UNITS REQUIRED)
47	WIREWAY
49	BOOSTER
51	INCOMING WATER AND BOOSTER SUPPORT
53	INCOMING WATER (NO BOOSTER)
55	LOWER PANELS
57	PANELS AND GUIDES (BLOWER SECTION)
59	TRANSITION BAR (OPTIONAL)

18	00-936434	Label - Sanitation
19	00-918576	Cable - Ribbon (Keypad)
20	00-918577	Cable - Ribbon (Display)

PARTS NOT ILLUSTRATED

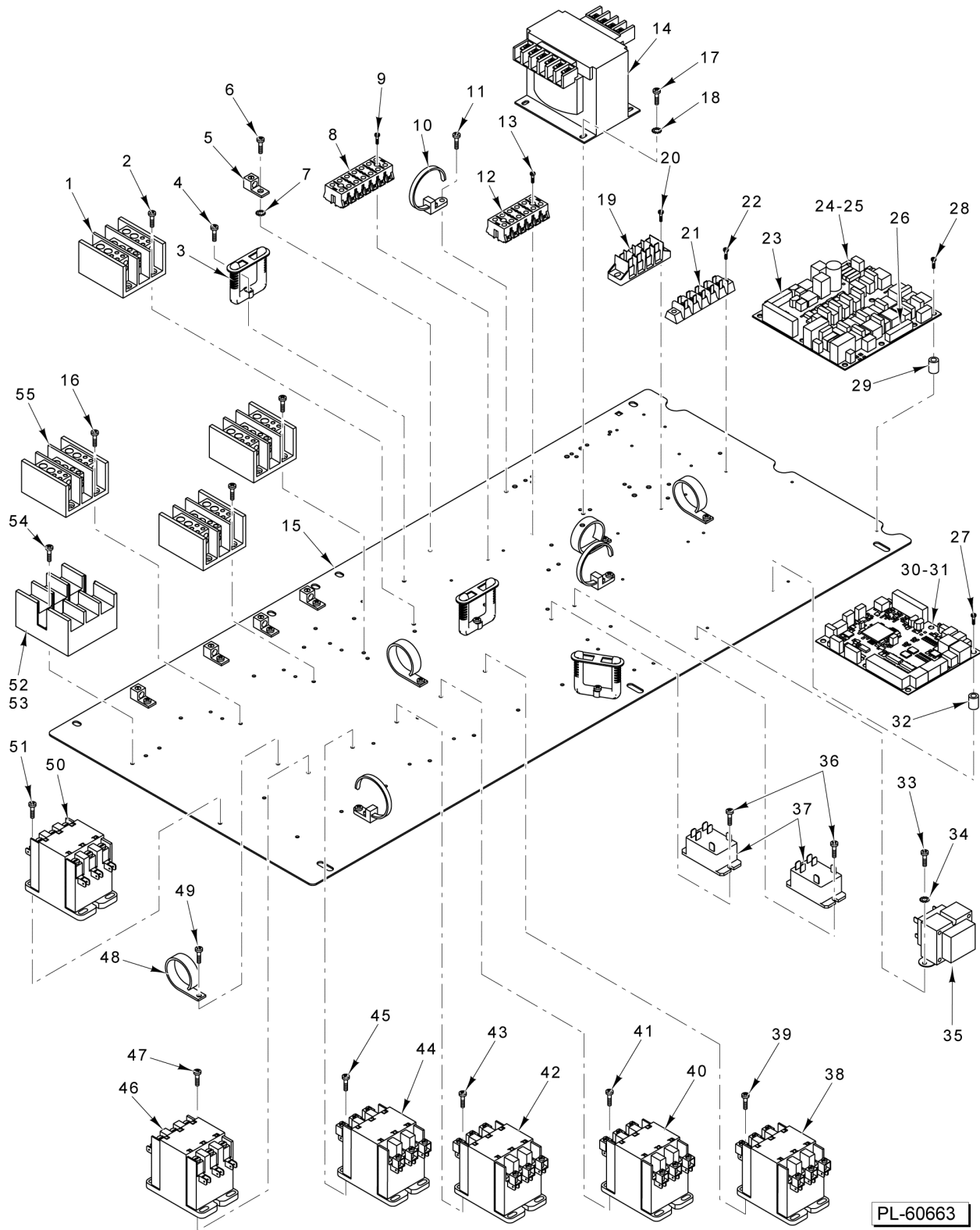


PL-60662

CONTROL BOX

CONTROL BOX

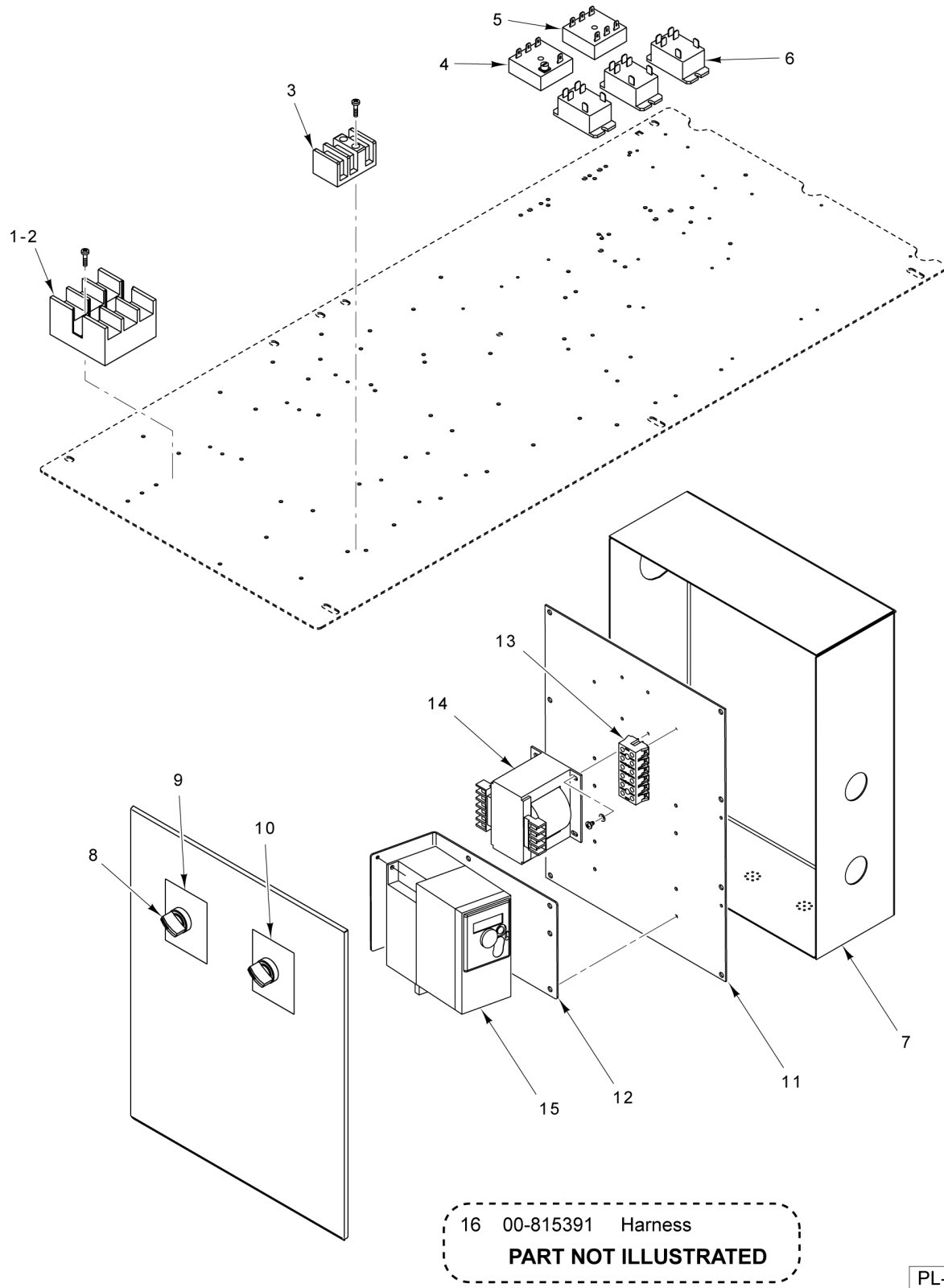
ILLUS.	PART NO.	NAME OF PART	AMT.
1	00-935958	Lid - Control Box.....	1
2	SC-125-15	Mach. Screw 1/4-20 x 1/2 Phil. Truss Hd.....	2
3	SC-041-05	Cap Screw 1/4-20 x 5/8 Hex Hd. (SST).....	6
4	NS-031-19	Stop Nut 1/4-20 Hex (SST).....	7
5	00-942192	Control Box.....	1
6	00-919938	Bracket - Bezel Mounting.....	1
7	00-893777-00001	Self-Tapping Screw (Thread Forming).....	4
8	00-918409	Display - Graphic 140 x 16.....	1
9	00-919785	Bezel - Display.....	1
10	00-948324	Keypad Assy. (Tri-Lingual).....	1
11	00-936154	Bracket - Lower Bezel Mounting.....	1
12	00-919938	Bracket - Bezel Mounting.....	1
13	SC-066-05	Mach. Screw 10-24 x 3/8 Phil. Truss Hd. (SST).....	3
14	00-558016	Tape - Foam 1/8 x 1 (Roll) (54 ft.).....	AR
15	00-814952-00001	Plate - Control Box (Louvered).....	1
16	00-814956	Gasket - Control Box.....	1
17	00-814952-00002	Plate - Control Box.....	1
18	00-936434	Label - Sanitation.....	1
19	00-918576	Cable - Ribbon (Keypad).....	1
20	00-918577	Cable - Ribbon (Display).....	1



COMPONENT PANEL (ELECTRIC)

COMPONENT PANEL (ELECTRIC)

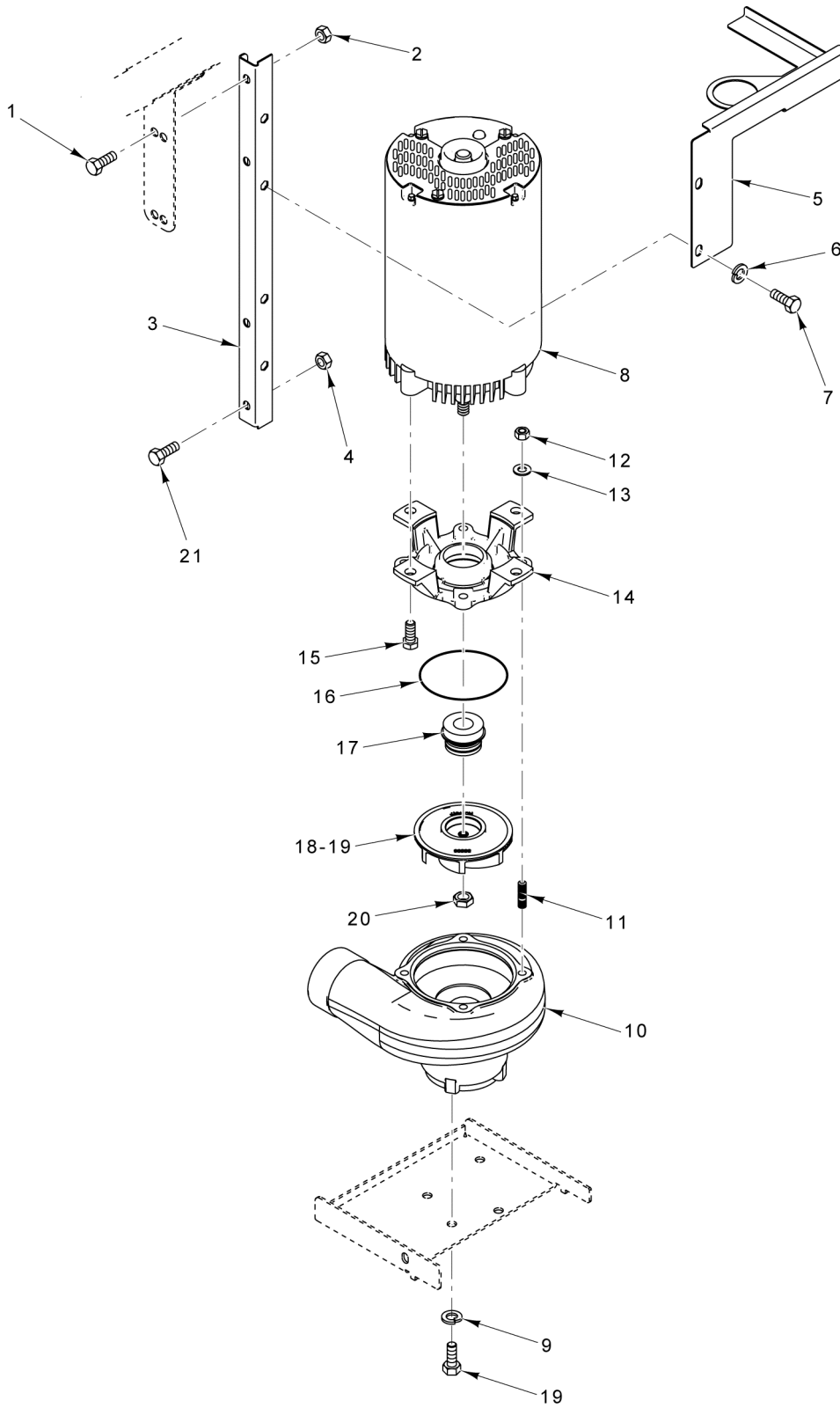
ILLUS. PL-60663	PART NO.	NAME OF PART	AMT.
1	00-119031	Block - Terminal (Booster Only).....	1
2	SD-008-25	Self-Tapping Screw 10-16 x 1/2 Phil. Pan Hd., Type B (Booster Only).....	2
3	00-476946-00001	D-Clamp (With Keeper Bar).....	3
4	SD-008-25	Self-Tapping Screw 10-16 x 1/2 Phil. Pan Hd., Type B.....	3
5	00-118544-00002	Lug - Grounding.....	AR
6	SD-008-25	Self-Tapping Screw 10-16 x 1/2 Phil. Pan Hd., Type B.....	AR
7	WL-014-07	Lockwasher #10 External Shakeproof (SST).....	AR
8	00-814301-00003	Block - Terminal.....	1
9	SD-019-29	Self-Tapping Screw 6-20 x 1/2 Phil. Pan Hd., Type B.....	2
10	00-328678	Clamp - Tie.....	3
11	SD-008-25	Self-Tapping Screw 10-16 x 1/2 Phil. Pan Hd., Type B.....	3
12	00-814301-00002	Block - Terminal.....	1
13	SD-019-29	Self-Tapping Screw 6-20 x 1/2 Phil. Pan Hd., Type B.....	2
14	00-294500-046-1	Transformer (150 VA, 50/60 Hz.).....	1
15	00-936181	Base Plate - Control Box.....	1
16	SD-008-25	Self-Tapping Screw 10-16 x 1/2 Phil. Pan Hd., Type B.....	6
17	SD-008-25	Self-Tapping Screw 10-16 x 1/2 Phil. Pan Hd., Type B.....	4
18	WL-014-07	Lockwasher #10 External Shakeproof (SST).....	4
19	00-936138	Block - Terminal (Single Row).....	1
20	SD-038-02	Self-Tapping Screw 6-20 x 5/8 Phil. Pan Hd., Type B.....	2
21	00-919742	Block - Terminal (Single Row).....	1
22	SD-019-29	Self-Tapping Screw 6-20 x 1/2 Phil. Pan Hd., Type B.....	2
23	FE-016-40	Fuse (1.0 Amp., 250 V.) (F2).....	1
24	00-919472-00002	Board Assy. - Relay.....	1
25	00-941124	Barrier - Mylar.....	1
26	FE-022-39	Fuse (1.5 Amp.) (250 V.) (F1) (Use With 150 VA Transformer).....	1
27	SD-038-02	Self-Tapping Screw 6-20 x 5/8 Phil. Pan Hd., Type B.....	4
28	SD-038-02	Self-Tapping Screw 6-20 x 5/8 Phil. Pan Hd., Type B.....	4
29	00-476653	Spacer - Circuit Board.....	9
30	00-919471-00002	Board Assy. - Control.....	1
31	00-918579	Cable - Jumper.....	1
32	00-476653	Spacer - Circuit Board.....	6
33	SD-008-18	Self-Tapping Screw 8-18 x 3/8 Phil. Bndg. Hd., Type B.....	2
34	WL-014-07	Lockwasher #10 External Shakeproof (SST).....	2
35	00-294500-00056	Transformer (30 VA, 50/60 Hz.).....	1
36	SD-008-18	Self-Tapping Screw 8-18 x 3/8 Phil. Bndg. Hd., Type B.....	4
37	00-087714-042-1	Relay (2-Pole) (120 VAC) (30 Amp.).....	2
38	00-918322	Contact (40 Amp., 3-Pole) (15 kW or 30 kW Booster Only).....	1
39	SD-008-25	Self-Tapping Screw 10-16 x 1/2 Phil. Pan Hd., Type B.....	2
40	00-918322	Contact (40 Amp., 3-Pole) (30 kW Booster Only).....	1
41	SD-008-25	Self-Tapping Screw 10-16 x 1/2 Phil. Pan Hd., Type B.....	2
42	00-918322	Contact (40 Amp., 3-Pole).....	1
43	SD-008-25	Self-Tapping Screw 10-16 x 1/2 Phil. Pan Hd., Type B.....	2
44	00-918322	Contact (40 Amp., 3-Pole).....	1
45	SD-008-25	Self-Tapping Screw 10-16 x 1/2 Phil. Pan Hd., Type B.....	2
46	00-087713-040-2	Contact (30 Amp., 3-Pole).....	1
47	SD-008-25	Self-Tapping Screw 10-16 x 1/2 Phil. Pan Hd., Type B.....	2
48	00-294677-00005	Clamp - Wire 1-1/2 In.....	4
49	SD-008-25	Self-Tapping Screw 10-16 x 1/2 Phil. Pan Hd., Type B.....	4
50	00-087713-040-2	Contact (30 Amp., 3-Pole).....	1
51	SD-008-25	Self-Tapping Screw 10-16 x 1/2 Phil. Pan Hd., Type B.....	2
52	00-919528	Block - Fuse (3-Pole).....	1
53	FE-026-75	Fuse (40 Amp., 600 V.).....	3
54	SD-008-25	Self-Tapping Screw 10-16 x 1/2 Phil. Pan Hd., Type B.....	2
55	00-119031	Block - Terminal (60 Hz., 1 Ph.).....	3



COMPONENT PANEL (VFD)

COMPONENT PANEL (VFD)

ILLUS.	PART NO.	NAME OF PART	AMT.
PL-60664			
1	00-815323	Block - Fuse.....	1
2	00-815324	Fuse - Time-Delay Class J (600V) (10A).....	2
3	00-294325-015-1	Block - Terminal.....	1
4	00-814055-00001	Timer - Delay Relay.....	1
5	00-087714-057-1	Relay - Time Delay.....	1
6	00-087714-042-1	Relay (2-Pole) (120 VAC) (30 Amp.).....	1
7	00-329839-003-2	Box.....	1
8	00-815321	Switch - Selector.....	2
9	00-815339-00001	Label - Conveyor.....	1
10	00-815339-00002	Label - Blower.....	1
11	00-329839-00009	Base Plate.....	1
12	00-815328	Bracket - VFD.....	1
13	00-814301-00002	Block - Terminal.....	2
14	00-294500-00035	Transformer 500 VA (380-480 V.).....	1
15	00-562913-00001	Inverter - Frequency.....	4
16	00-815391	Harness (VFD & Blow Off).....	1

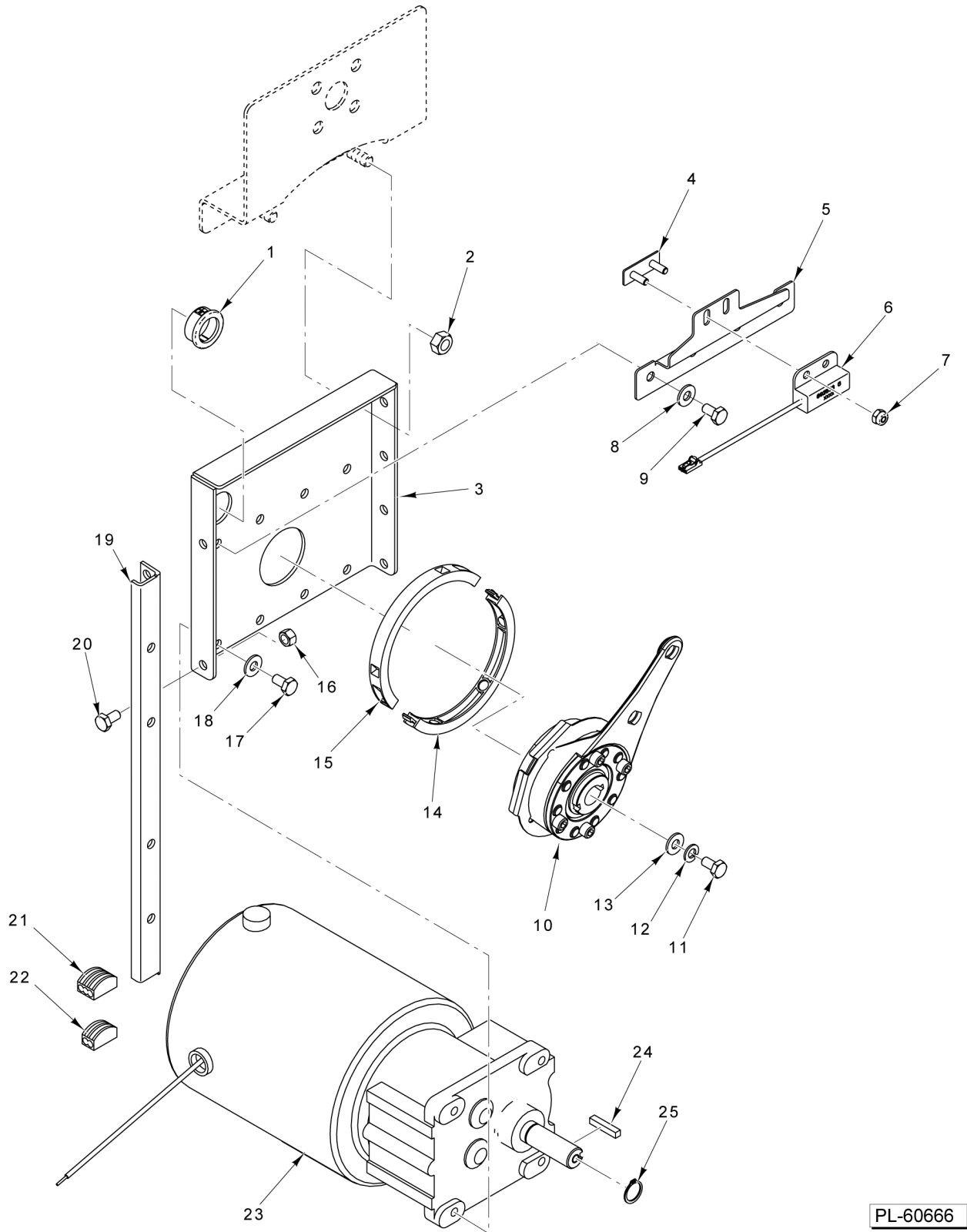


PL-60665

**WASH MOTOR AND PUMP UNIT
(2 UNITS REQUIRED)**

**WASH MOTOR AND PUMP UNIT
(2 UNITS REQUIRED)**

ILLUS.	PART NO.	NAME OF PART	AMT.
1	SC-041-10	Cap Screw 5/16-18 x 5/8 Hex Hd. (SST).....	2
2	NS-036-19	Stop Nut 5/16-18 Hex (SST).....	2
3	00-919621	Support - Frame.....	1
4	NS-036-19	Stop Nut 5/16-18 Hex (SST).....	2
5	00-919631	Support Strap - Motor.....	1
6	WL-006-17	Lockwasher 1/4 Helical (SST).....	2
7	SC-041-50	Cap Screw 1/4-20 x 1/2 Hex Hd. (SST).....	2
8	00-893039-00008	Motor (208-240/480 V., 60 Hz., 3 Ph.).....	1
9	WL-006-17	Lockwasher 1/4 Helical (SST).....	4
10	00-919229-00002	Pump - Housing.....	1
11	00-919229-00003	Stud 5/16-18 x 1-1/8.....	4
12	NS-015-11	Nut 5/16-18 Hex (SST).....	4
13	WS-005-32	Washer (SST).....	4
14	00-919229-00001	Pump - Motor Adapter.....	1
15	SC-041-29	Cap Screw 3/8-16 x 7/8 Hex Hd. (SST).....	4
16	00-067500-00152	O-Ring.....	1
17	00-274227-00006	Seal - Shaft.....	1
18	00-919229-00004	Impeller (60 Hz.).....	1
19	SC-041-10	Cap Screw 5/16-18 x 5/8 Hex Hd. (SST).....	4
20	00-893039-00003	Jam Nut 7/16-20 Hex.....	1
21	SC-041-10	Cap Screw 5/16-18 x 5/8 Hex Hd. (SST).....	2

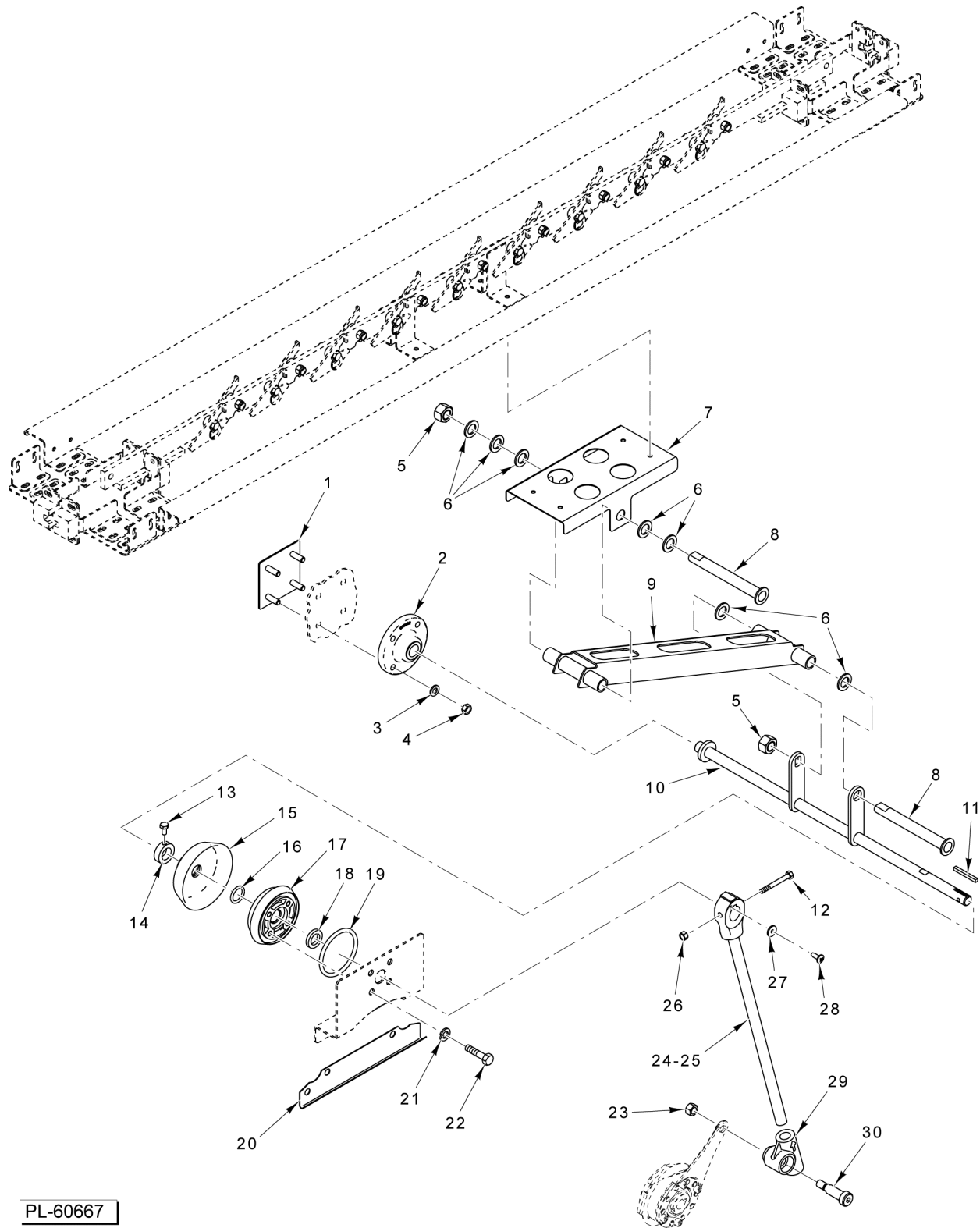


PL-60666

CONVEYOR DRIVE MOTOR

CONVEYOR DRIVE MOTOR

ILLUS. PL-60666	PART NO.	NAME OF PART	AMT.
1	FE-022-40	Bushing - Electrical Snap.....	1
2	NS-036-19	Stop Nut 5/16-18 Hex (SST).....	2
3	00-919602	Bracket - Motor Mount.....	1
4	00-892570	Plate - Sensor Mounting.....	1
5	00-919697	Bracket - Sensor.....	1
6	00-892533	Sensor - Latching Hall.....	1
7	NS-031-15	Stop Nut 10-24 Hex (SST).....	2
8	WL-006-17	Lockwasher 1/4 Helical (SST).....	2
9	SC-041-05	Cap Screw 1/4-20 x 5/8 Hex Hd. (SST).....	2
10	00-941322-00001	Drive Clutch Assy. (10 Spring).....	1
11	SC-041-05	Cap Screw 1/4-20 x 5/8 Hex Hd. (SST).....	1
12	WL-006-17	Lockwasher 1/4 Helical (SST).....	1
13	WS-017-01	Washer 0.328 x 0.875 x 0.062 (SST).....	1
14	00-892024-00001	Housing Ring - Magnet (Male).....	1
15	00-892024-00002	Housing Ring - Magnet (Female).....	1
16	NS-036-19	Stop Nut 5/16-18 Hex (SST).....	2
17	SC-041-05	Cap Screw 1/4-20 x 5/8 Hex Hd. (SST).....	2
18	WL-006-17	Lockwasher 1/4 Helical (SST).....	2
19	00-919621	Support - Frame.....	1
20	SC-041-10	Cap Screw 5/16-18 x 5/8 Hex Hd. (SST).....	2
21	00-557975	Connector - Wire Terminal Block (3 Connector).....	1
22	00-557976	Connector - Wire Terminal Block (2 Connector).....	1
23	00-919978-00001	Motor - Conveyor Drive (200-230/460 V., 60 Hz., 3 Ph.).....	1
24	00-012430-00088	Key.....	1
25	RR-012-36	Retaining Ring.....	1

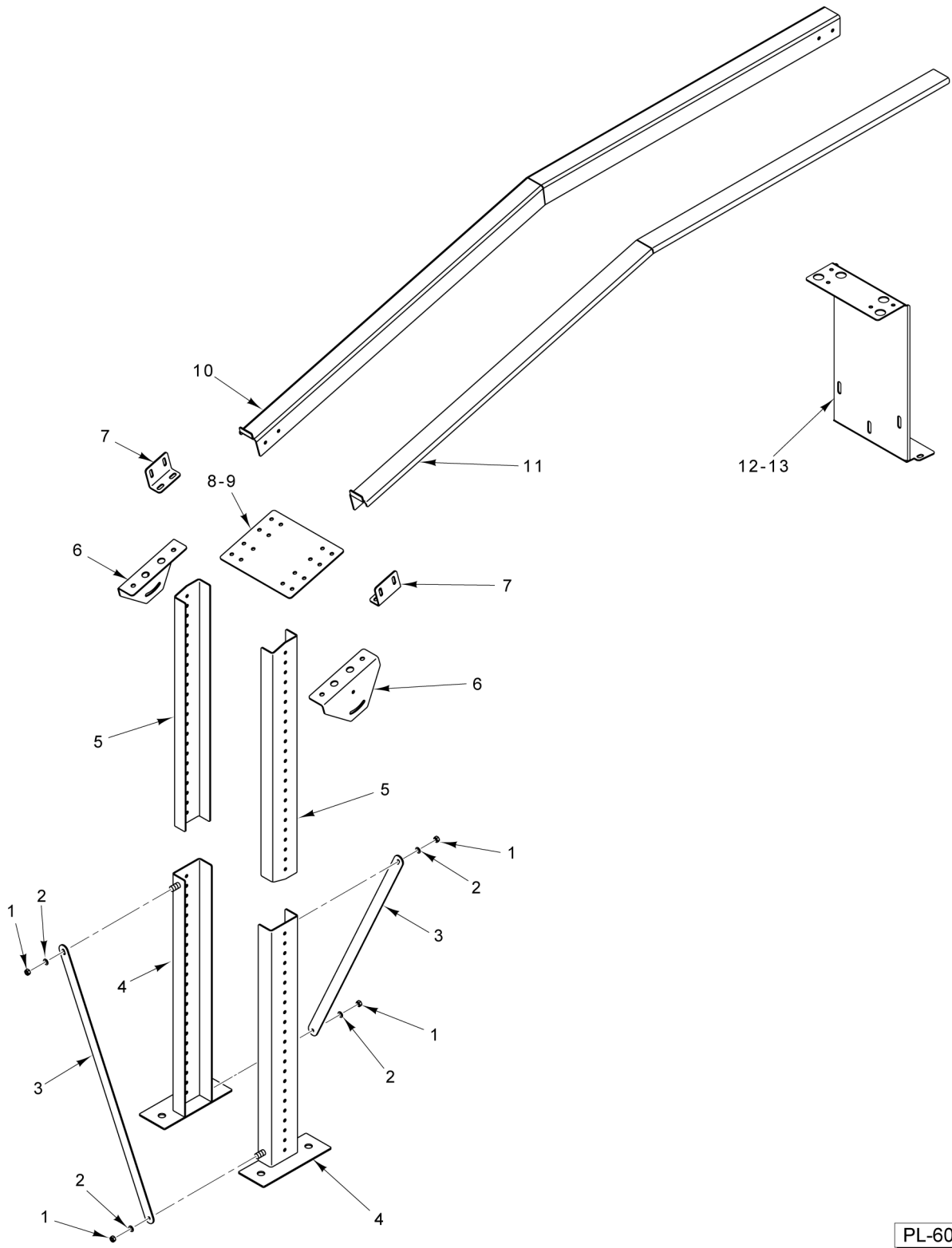


PL-60667

CONVEYOR DRIVE

CONVEYOR DRIVE

ILLUS.	PART NO.	NAME OF PART	AMT.
PL-60667			
1	00-935985	Plate - Housing Bearing Mounting.....	1
2	00-935982	Bearing - Back Housing.....	1
3	WS-017-18	Washer.....	4
4	NS-036-19	Stop Nut 5/16-18 Hex (SST).....	4
5	NS-049-19	Nut 3/4-16 Hex (SST).....	2
6	00-815283	Washer (1.25 O.D. x 0.76 I.D.).....	7
7	00-815271	Clevis - Bar.....	1
8	00-815312	Shaft - Drive.....	2
9	00-815318	Channel - Drive.....	1
10	00-815265	Shaft - Drive Conveyor.....	1
11	00-012430-00088	Key.....	1
12	SC-130-43	Cap Screw 1/4-20 x 1-3/4 Hex Hd. (SST).....	1
13	SC-041-50	Cap Screw 1/4-20 x 1/2 Hex Hd. (SST).....	1
14	00-918993	Collar.....	1
15	00-918957	Deflector - Bearing.....	1
16	00-067500-00151	O-Ring.....	1
17	00-941727-00002	Bearing - Front Housing.....	1
18	00-936177	Seal - Shaft.....	1
19	00-067500-00150	O-Ring.....	1
20	00-936103	Diverter - Water.....	1
21	WL-006-23	Lockwasher 5/16 Helical (SST).....	4
22	SC-041-10	Cap Screw 5/16-18 x 5/8 Hex Hd. (SST).....	4
23	NS-048-86	Lock Nut 3/8-16 Flexloc (SST).....	1
24	00-941145	Kit - Slider Rod (Incls. Items 25 & 27 thru 30).....	1
25	00-941156	Rod - Hub.....	1
26	NS-031-19	Stop Nut 1/4-20 Hex (SST).....	1
27	WS-019-39	Washer (SST).....	1
28	SC-066-05	Mach. Screw 10-24 x 3/8 Phil. Truss Hd. (SST).....	1
29	00-936939	Slider - Rod.....	1
30	00-941120	Shoulder Screw - Block 3/8-16 x 1 Hex Socket Hd. (SST).....	1

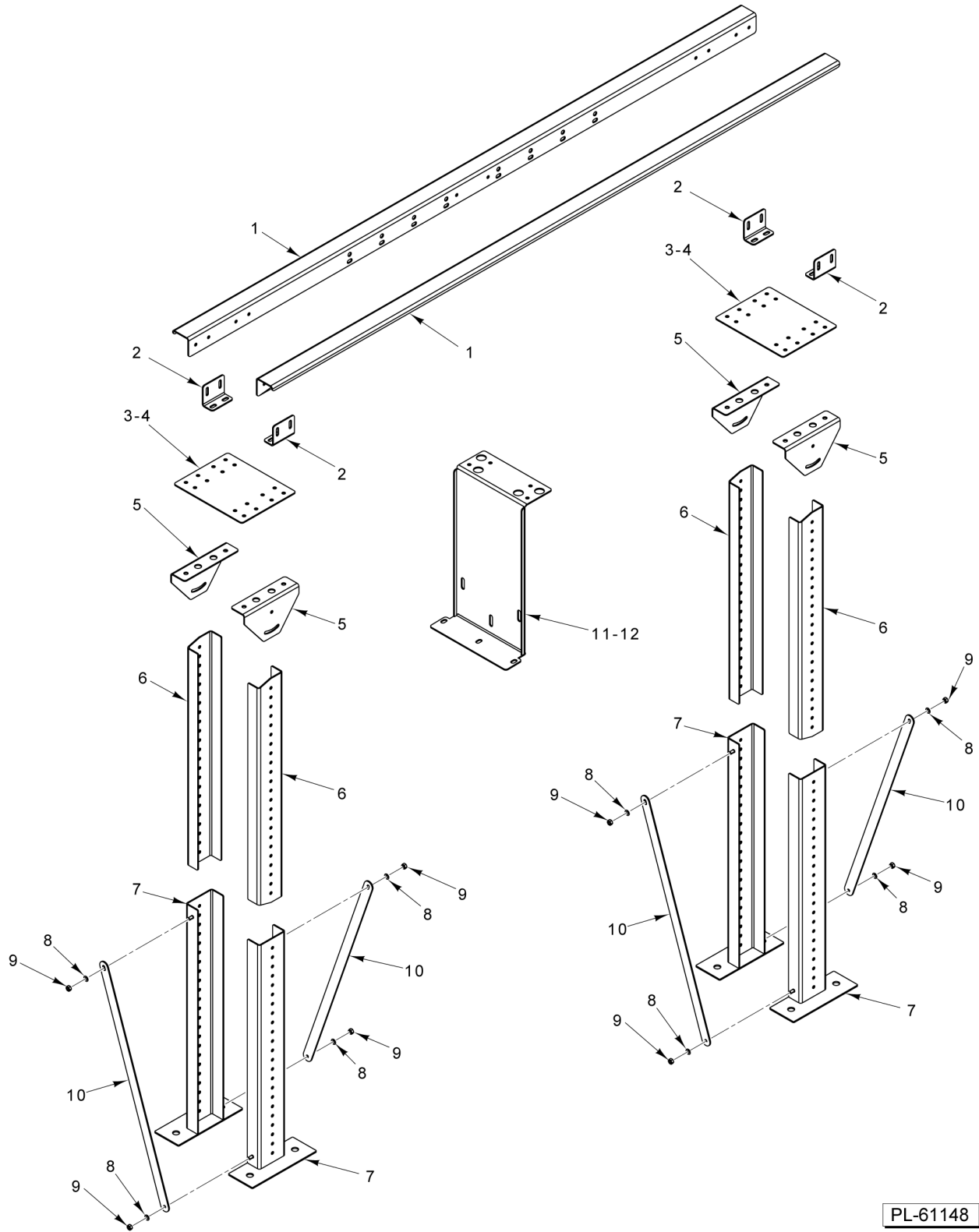


PL-60670

CONVEYOR STAND (ENTRANCE)

CONVEYOR STAND (ENTRANCE)

ILLUS. PL-60670	PART NO.	NAME OF PART	AMT.
1	NS-015-01	Nut 1/4-20 Hex (SST).....	4
2	WL-007-15	Lockwasher 1/4 External Shakeproof.....	4
3	00-815292	Brace.....	2
4	00-815289	Channel - Base.....	2
5	00-815290	Channel - Upper.....	2
6	00-815291	Bracket - Conveyor Mounting.....	2
7	00-815268	Guide Bar Bracket.....	2
8	00-815281-00002	Pawl Bar Bracket Plate (Std. 8.5 In. Wide).....	1
9	00-815281	Pawl Bar Bracket Plate (Optional, 11.375 In. Wide).....	1
10	00-815303-00003	Rail - Guide (Entrance).....	1
11	00-815303-00002	Rail - Guide (Entrance).....	1
12	00-815266-00003	Bracket - End (Entrance) (Std. 8.5 In. Wide).....	1
13	00-815266-00001	Bracket - End (Entrance) (Optional, 11.375 In. Wide).....	1

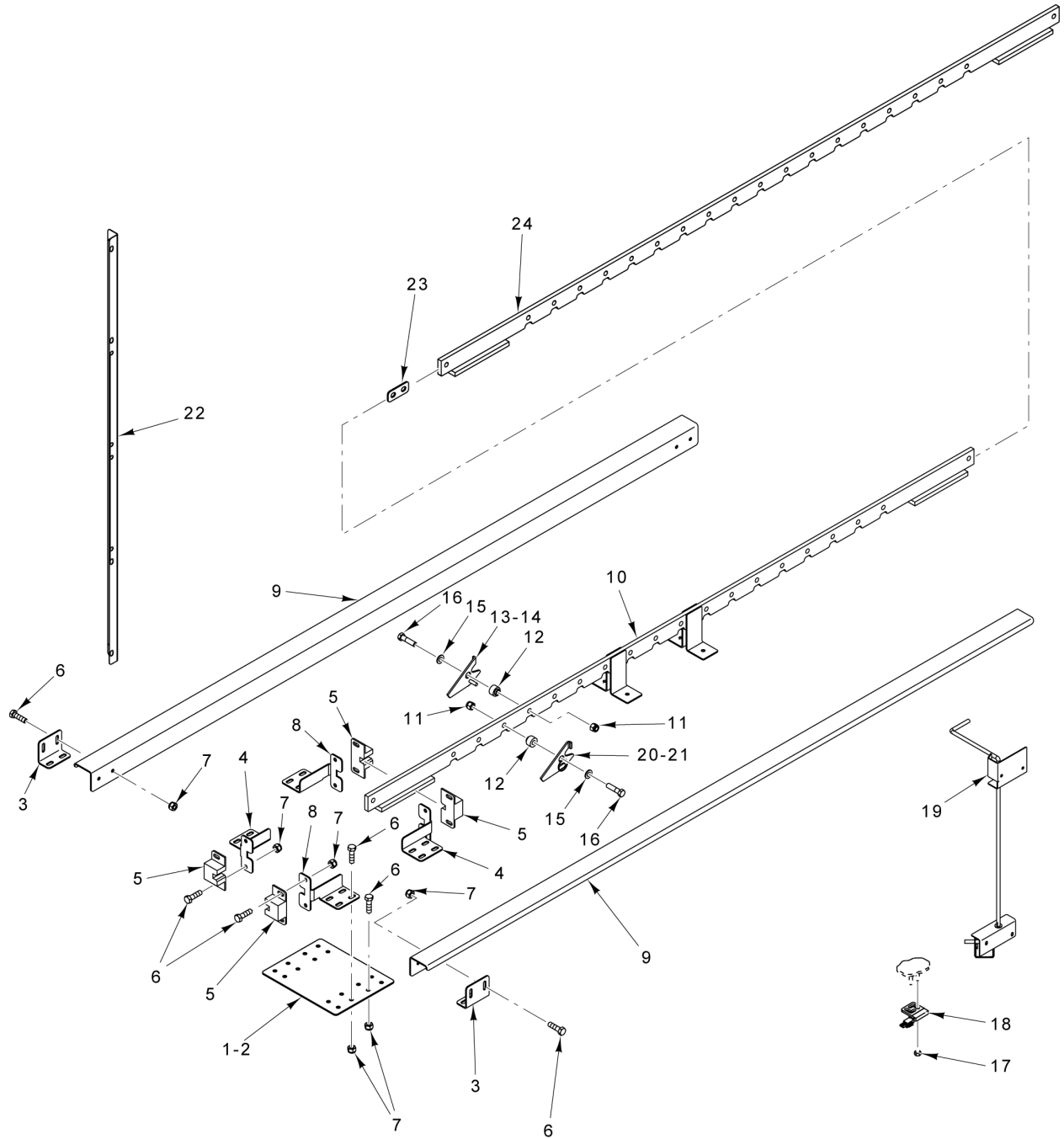


PL-61148

CONVEYOR STAND (EXIT)

CONVEYOR STAND (EXIT)

ILLUS.	PART NO.	NAME OF PART	AMT.
PL-61148			
1	00-815303	Guide Rail.....	2
2	00-815268	Guide Bar Bracket.....	AR
3	00-815281-00002	Pawl Bar Bracket Plate (Std. 8.5 In. Wide).....	2
4	00-815281	Pawl Bar Bracket Plate (Optional, 11.375 In. Wide).....	2
5	00-815291	Bracket - Conveyor Mounting.....	4
6	00-815290	Channel - Upper.....	4
7	00-815289	Channel - Base.....	4
8	WL-007-15	Lockwasher 1/4 External Shakeproof.....	AR
9	NS-015-01	Nut 1/4-20 Hex (SST).....	AR
10	00-815292	Brace.....	4
11	00-815266-00004	Bracket - End (Std. 8.5 In. Wide).....	2
12	00-815266-00002	Bracket - End (Optional, 11.375 In. Wide).....	2

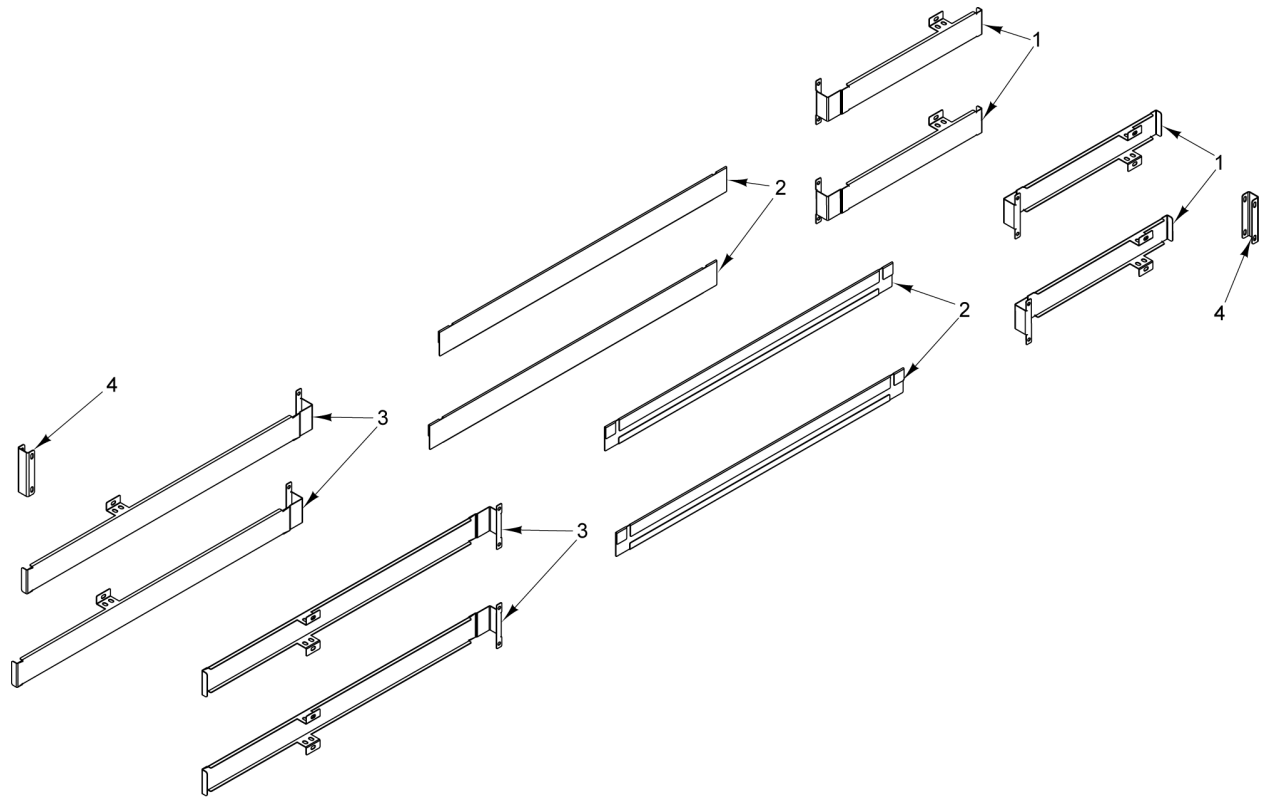


PL-60668

CONVEYOR

CONVEYOR

ILLUS.	PART NO.	NAME OF PART	AMT.
	PL-60668		
1	00-815281-00002	Pawl Bar Bracket Plate (Std.) (8.5 In. Wide).....	2
2	00-815281	Pawl Bar Bracket Plate (Optional 11.375 In.).....	2
3	00-815268	Guide Bar Bracket.....	8
4	00-815262-00001	Pawl Bar Bracket.....	4
5	00-815270	Pawl Bar Guide Block.....	1
6	SC-022-40	Mach. Screw 1/4-20 x 3/4 Phil. Flat Hd. (SST).....	AR
7	NS-015-01	Nut 1/4-20 Hex (SST).....	AR
8	00-815262-00002	Pawl Bar Bracket.....	1
9	00-815303	Guide Rail.....	AR
10	00-815435	Pawl Bar.....	1
11	NS-046-09	Stop Nut 3/8-16 (SST).....	AR
12	00-270983	Spacer.....	AR
13	00-436704-00001	Dog Pin (Front R-L; Rear L-R) (Std.).....	AR
14	00-815456-00001	Pin - Dog (Optional) (Tall).....	AR
15	WS-018-04	Washer (SST).....	AR
16	SC-041-32	Cap Screw 3/8-16 x 1-1/2 Hex Hd. (SST).....	AR
17	NS-031-15	Stop Nut 10-24 Hex (SST).....	2
18	00-814641	Kit - Interlock Switch.....	1
19	00-815310	Actuator.....	1
20	00-436704-00002	Dog Pin (Front L-R; Rear R-L) (Std.).....	AR
21	00-815456-00002	Pin - Dog (Optional) (Tall).....	AR
22	00-936602-00002	Baffle - Chamber (Rear) (L-R).....	1
23	00-815293	Connector - Pawl Bar.....	AR
24	00-815258-00001	Pawl Bar.....	1

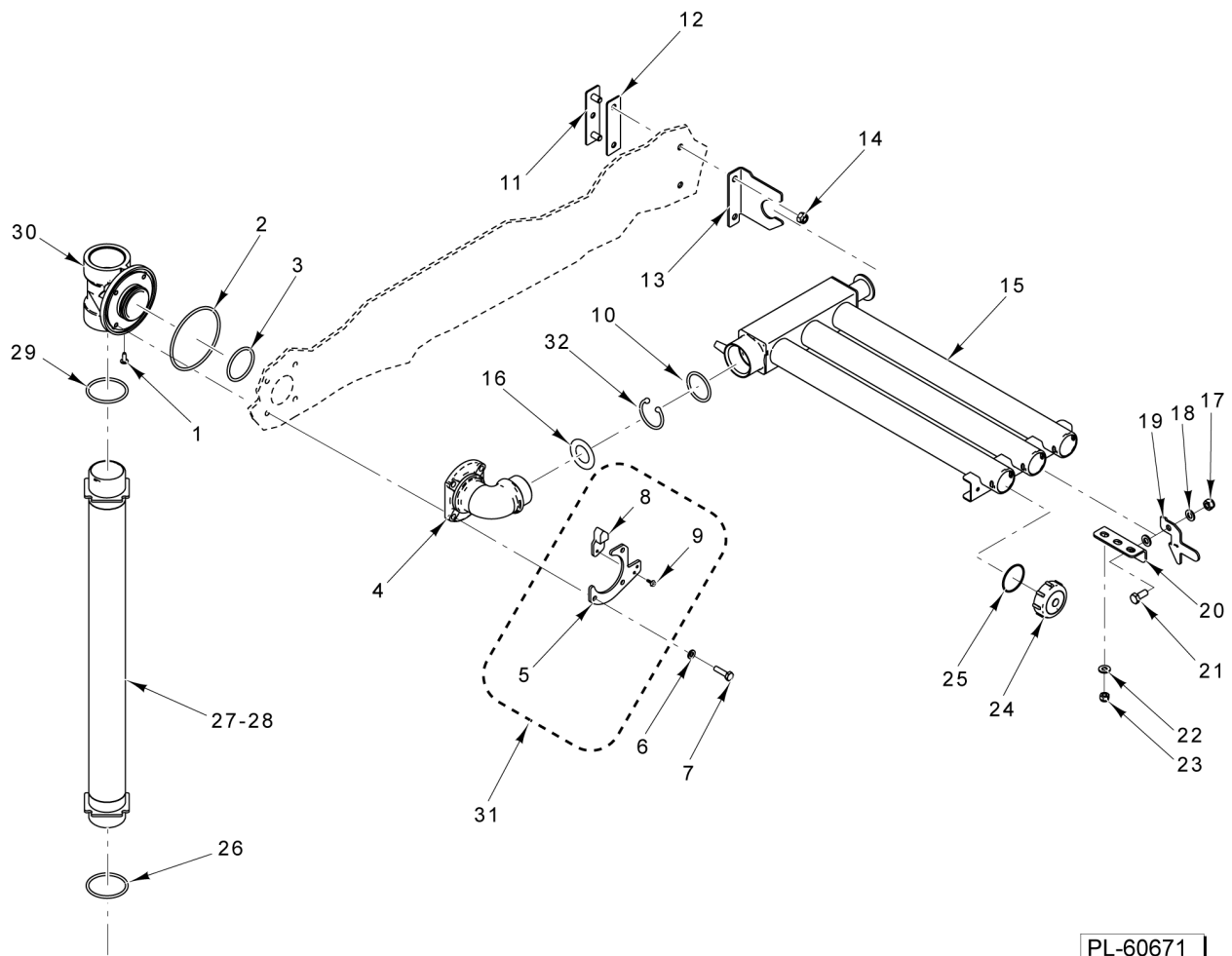


PL-60669

GUIDE RAILS

GUIDE RAILS

ILLUS.	PART NO.	NAME OF PART	AMT.
PL-60669			
1	00-815338-00004	Guide Rail - Left.....	4
2	00-815337	Guide Rail - Removable.....	4
3	00-815338-00007	Bracket - Side Rail (30 In. Entrance).....	4
4	00-815458	Spacer (Side Rail).....	8

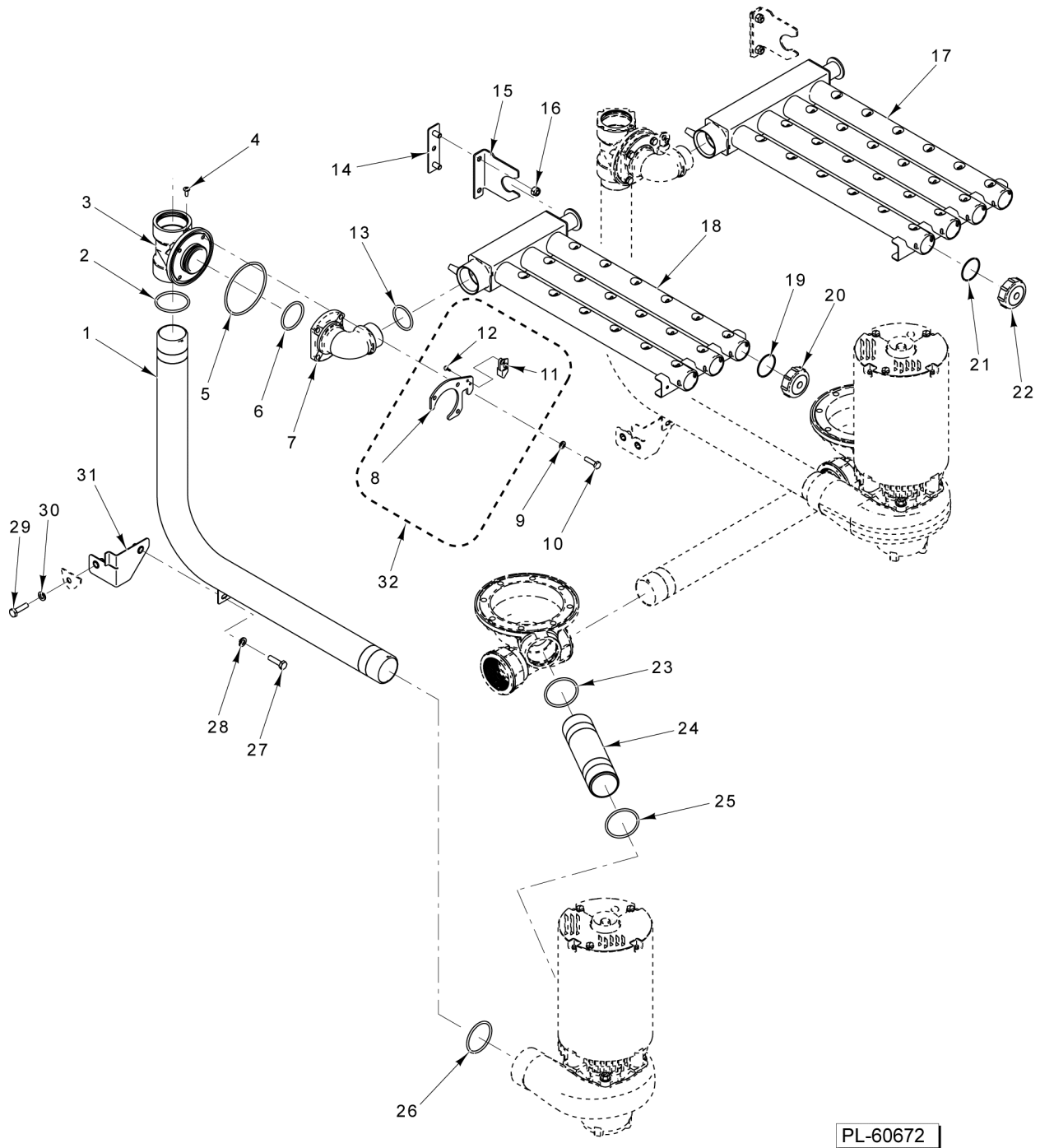


PL-60671

**UPPER WASH ARM
(2 UNITS REQUIRED)**

**UPPER WASH ARM
(2 UNITS REQUIRED)**

ILLUS. PL-60671	PART NO.	NAME OF PART	AMT.
1	SD-038-84	Self-Tapping Screw 10-24 x 1/2 Phil. Truss Hd., Type F (SST).....	1
2	00-067500-00132	O-Ring.....	1
3	00-067500-00019	O-Ring.....	1
4	00-919926	Manifold - Elbow.....	1
5	00-936168	Plate - Adjuster.....	1
6	WL-006-17	Lockwasher 1/4 Helical (SST).....	4
7	SC-109-47	Cap Screw 1/4-20 x 7/8 Hex Hd. (SST).....	4
8	00-936166	Block - Wear.....	1
9	00-893777-00001	Self-Tapping Screw (Thread Forming).....	2
10	00-067500-00014	O-Ring.....	1
11	00-936202-00002	Plate - Mounting.....	1
12	00-814592	Gasket - Mounting Plate.....	1
13	00-919931	Bracket - Guide (Wash Arm).....	1
14	NS-036-19	Stop Nut 5/16-18 Hex (SST).....	2
15	00-936003	Arm - Wash (Upper).....	1
16	00-936126-00004	Restrictor.....	2
17	NS-036-19	Stop Nut 5/16-18 Hex (SST).....	1
18	WS-017-08	Washer (0.328 x 0.625 x 0.062) (SST).....	2
19	00-919378	Latch.....	1
20	00-919379	Bracket - Latch.....	1
21	SC-041-11	Cap Screw 5/16-18 x 3/4 Hex Hd. (SST).....	1
22	WS-017-06	Washer (SST).....	3
23	NS-031-19	Stop Nut 1/4-20 Hex (SST).....	3
24	00-919363	End Cap Assy. (Incls. Item 25).....	3
25	00-067500-00069	O-Ring.....	3
26	00-067500-00057	O-Ring.....	1
27	00-936020-00003	Tube - Wash Feed (Upper) (HHTS) (L-R).....	1
28	00-936021-00003	Tube - Wash Feed (Offset) (HHTS) (R-L).....	1
29	00-067500-00057	O-Ring.....	1
30	00-919663-00001	Manifold - Elbow.....	1
31	00-936222	Cam Plate Assy. (Incls. Items 5, 8, & 9).....	1
32	RR-012-01	Retaining Ring.....	2

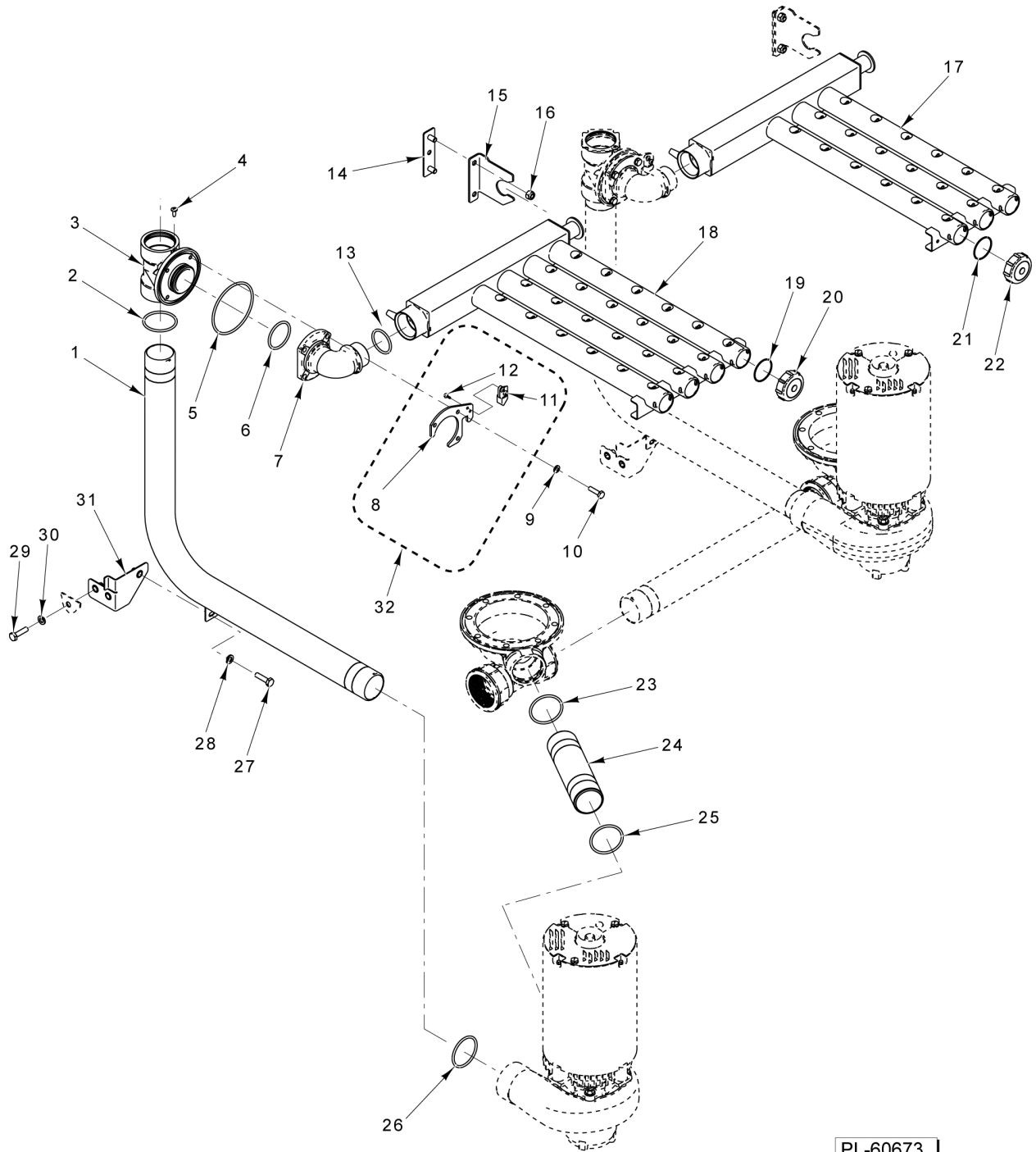


PL-60672

LOWER WASH ARM (R-L)

LOWER WASH ARM (R-L)

ILLUS. PL-60672	PART NO.	NAME OF PART	AMT.
1	00-935979	Tube - Feed.....	1
2	00-067500-00057	O-Ring.....	1
3	00-919663-00002	Manifold - Tee.....	1
4	SD-038-84	Self-Tapping Screw 10-24 x 1/2 Phil. Truss Hd., Type F (SST).....	1
5	00-067500-00132	O-Ring.....	1
6	00-067500-00019	O-Ring.....	1
7	00-919926	Manifold - Elbow.....	1
8	00-936168	Plate - Adjuster.....	1
9	WL-006-17	Lockwasher 1/4 Helical (SST).....	4
10	SC-109-47	Cap Screw 1/4-20 x 7/8 Hex Hd. (SST).....	4
11	00-936166	Block - Wear.....	1
12	00-893777-00001	Self-Tapping Screw (Thread Forming).....	2
13	00-067500-00014	O-Ring.....	1
14	00-936202-00002	Plate - Mounting (HHTS).....	1
15	00-919931	Bracket - Guide (Wash Arm).....	1
16	NS-036-19	Stop Nut 5/16-18 Hex (SST).....	2
17	00-935993	Arm - Lower Wash.....	1
18	00-936139	Arm - Lower Power Rinse.....	1
19	00-067500-00069	O-Ring.....	3
20	00-919363	End Cap Assy. (Incls. Item 19).....	3
21	00-067500-00069	O-Ring.....	4
22	00-919363	End Cap Assy. (Incls. Item 21).....	4
23	00-067500-00057	O-Ring.....	1
24	00-919738-00003	Tube - Feed.....	1
25	00-067500-00057	O-Ring.....	1
26	00-067500-00057	O-Ring.....	1
27	SC-041-50	Cap Screw 1/4-20 x 1/2 Hex Hd. (SST).....	1
28	WL-006-17	Lockwasher 1/4 Helical (SST).....	1
29	SC-041-50	Cap Screw 1/4-20 x 1/2 Hex Hd. (SST).....	1
30	WL-006-17	Lockwasher 1/4 Helical (SST).....	1
31	00-936368-00001	Bracket Assy. - Pump Mount.....	1
32	00-936222	Cam Plate Assy. (Incls. Items 8, 11, & 12).....	1

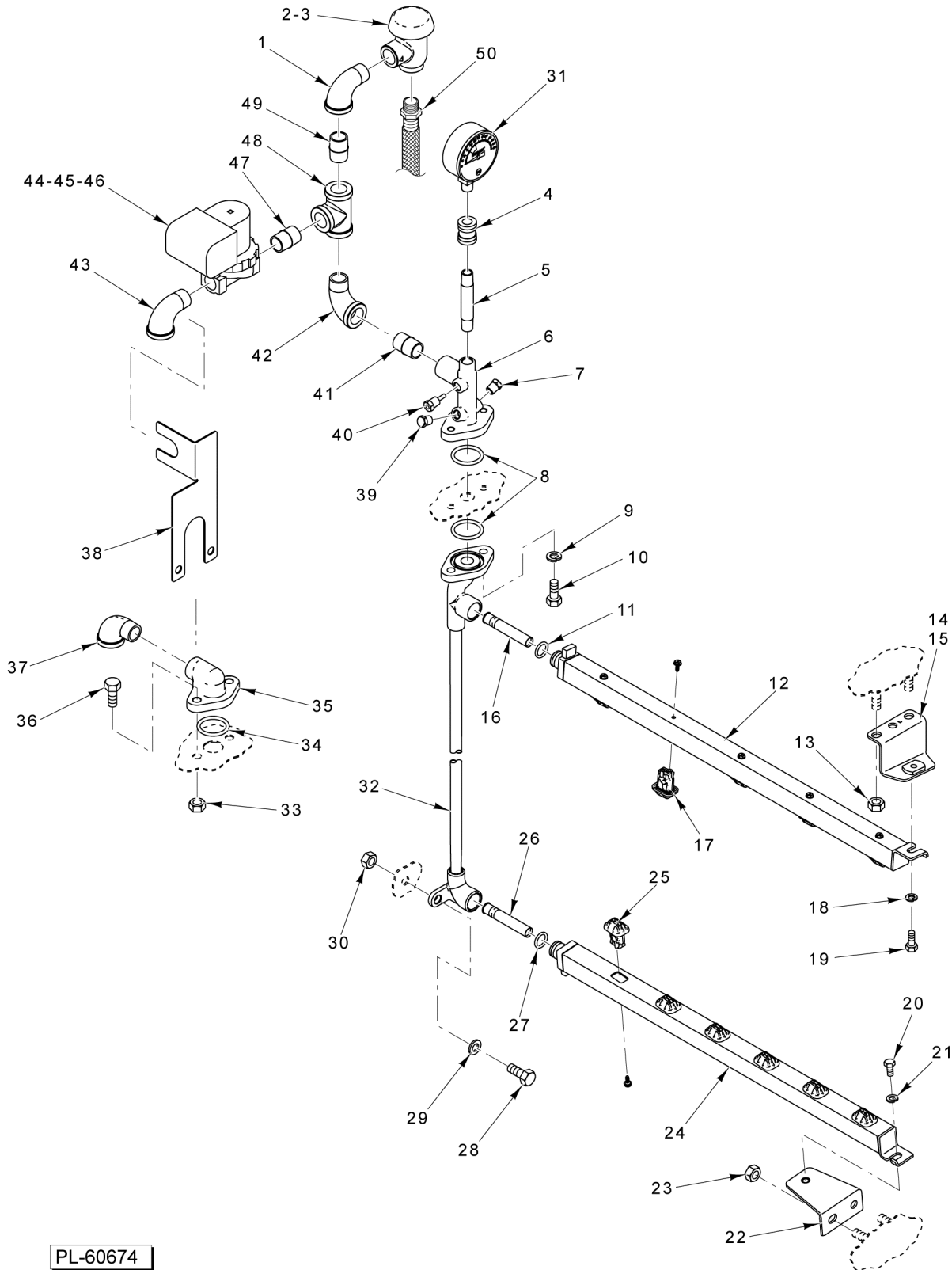


PL-60673

LOWER WASH ARM (L-R)

LOWER WASH ARM (L-R)

ILLUS. PL-60673	PART NO.	NAME OF PART	AMT.
1	00-935979	Tube - Feed.....	1
2	00-067500-00057	O-Ring.....	1
3	00-919663-00002	Manifold - Tee.....	1
4	SD-038-84	Self-Tapping Screw 10-24 x 1/2 Phil. Truss Hd., Type F (SST).....	1
5	00-067500-00132	O-Ring.....	1
6	00-067500-00019	O-Ring.....	1
7	00-919926	Manifold - Elbow.....	1
8	00-936168	Plate - Adjuster.....	1
9	WL-006-17	Lockwasher 1/4 Helical (SST).....	4
10	SC-109-47	Cap Screw 1/4-20 x 7/8 Hex Hd. (SST).....	4
11	00-936166	Block - Wear.....	1
12	00-893777-00001	Self-Tapping Screw (Thread Forming).....	2
13	00-067500-00014	O-Ring.....	1
14	00-936202-00002	Plate - Mounting.....	1
15	00-919931	Bracket - Guide (Wash Arm).....	1
16	NS-036-19	Stop Nut 5/16-18 Hex (SST).....	2
17	00-936140	Arm - Lower Power Rinse.....	1
18	00-935994	Arm - Lower Wash (L-R).....	1
19	00-067500-00069	O-Ring.....	4
20	00-919363	End Cap Assy. (Incls. Item 19).....	4
21	00-067500-00069	O-Ring.....	3
22	00-919363	End Cap Assy. (Incls. Item 21).....	3
23	00-067500-00057	O-Ring.....	1
24	00-919738-00003	Tube - Feed.....	1
25	00-067500-00057	O-Ring.....	1
26	00-067500-00057	O-Ring.....	1
27	SC-041-50	Cap Screw 1/4-20 x 1/2 Hex Hd. (SST).....	1
28	WL-006-17	Lockwasher 1/4 Helical (SST).....	1
29	SC-041-50	Cap Screw 1/4-20 x 1/2 Hex Hd. (SST).....	1
30	WL-006-17	Lockwasher 1/4 Helical (SST).....	1
31	00-936368-00001	Bracket Assy. - Pump Mount.....	1
32	00-936222	Cam Plate Assy. (Incls. Items 8, 11, & 12).....	1

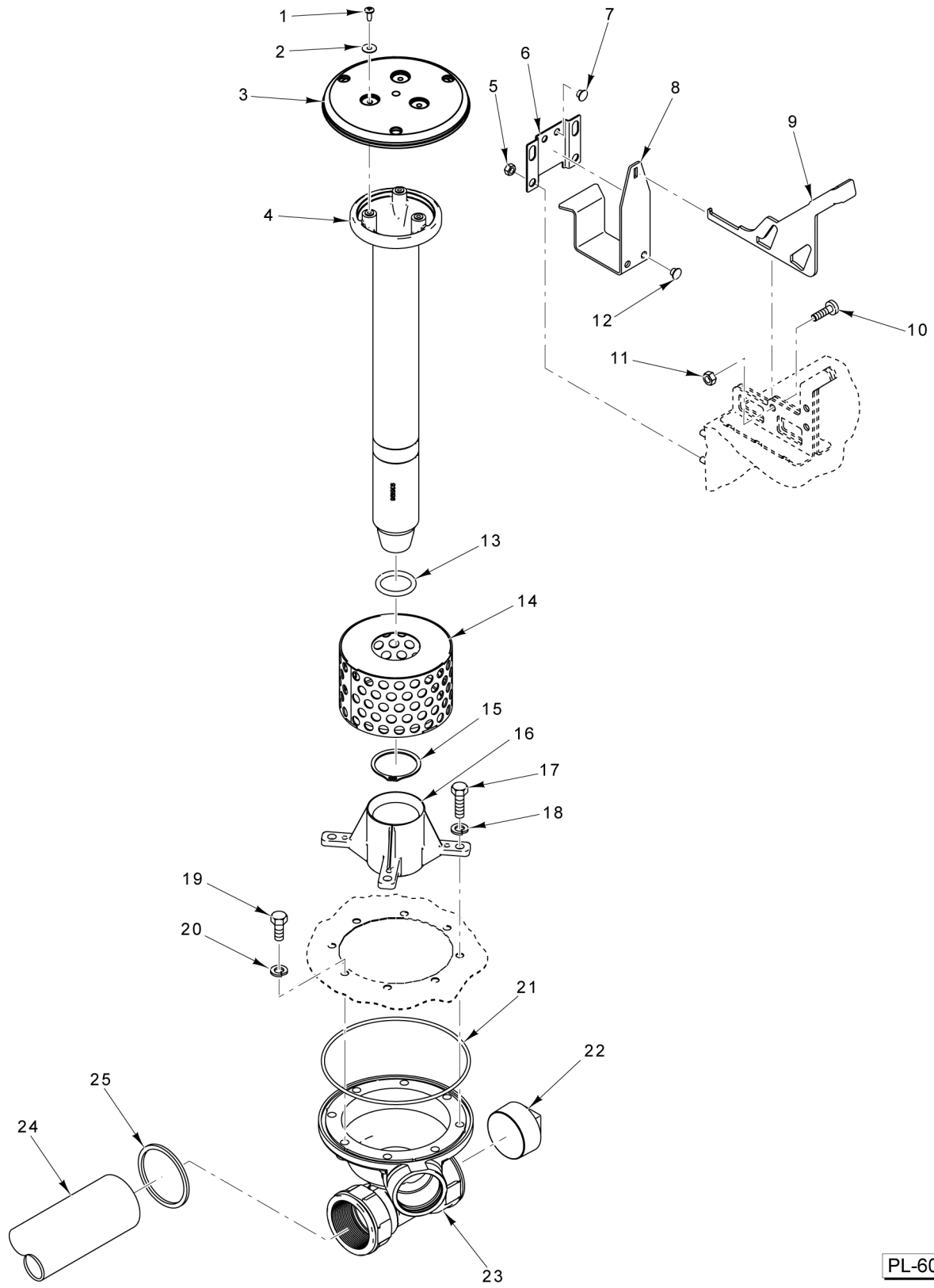


PL-60674

RINSE PIPING

RINSE PIPING

ILLUS.	PART NO.	NAME OF PART	AMT.
PL-60674			
1	FP-015-17	Elbow - Pipe 1/2 x 90 Deg. (Brass).....	1
2	00-292909-00002	Vacuum Breaker 1/2 In.....	1
3	00-292910	Service Kit - Vacuum Breaker.....	1
4	FP-023-07	Coupling - Pipe 1/4.....	1
5	FP-075-70	Pipe 1/4 x 3 TBE (Brass).....	1
6	00-919560	Manifold - Top Rinse.....	1
7	FP-028-03	Pipe Plug 1/8 Sq. Hd. (Brass).....	1
8	00-067500-00012	O-Ring.....	2
9	WL-006-23	Lockwasher 5/16 Helical (SST).....	2
10	SC-041-12	Cap Screw 5/16-18 x 7/8 Hex Hd. (SST).....	2
11	00-067500-00145	O-Ring.....	1
12	00-936273	Arm - Rinse Upper (5 Nozzle).....	1
13	NS-031-19	Stop Nut 1/4-20 Hex (SST).....	2
14	00-936064-00003	Bracket - Upper Rinse (L-R).....	1
15	00-936064-00004	Bracket - Upper Rinse (R-L).....	1
16	00-936197	Strainer - Opti-Rinse Short Inlet.....	1
17	00-893535	Nozzle Assy. (Incls. Screw).....	5
18	WL-006-23	Lockwasher 5/16 Helical (SST).....	1
19	SC-041-10	Cap Screw 5/16-18 x 5/8 Hex Hd. (SST).....	1
20	SC-041-10	Cap Screw 5/16-18 x 5/8 Hex Hd. (SST).....	1
21	WL-006-23	Lockwasher 5/16 Helical (SST).....	1
22	00-935872-00002	Support - Rinse Lower.....	1
23	NS-031-19	Stop Nut 1/4-20 Hex (SST).....	2
24	00-918973	Arm - Rinse Lower.....	1
25	00-893535	Nozzle Assy. (Incls. Screw).....	6
26	00-936197	Strainer - Opti-Rinse Short Inlet.....	1
27	00-067500-00145	O-Ring.....	1
28	SC-041-12	Cap Screw 5/16-18 x 7/8 Hex Hd. (SST).....	1
29	WS-029-05	Washer 0.328 x 0.750 x 0.062 (SST).....	1
30	NS-036-19	Stop Nut 5/16-18 Hex (SST).....	1
31	00-918460	Gauge - Water Pressure.....	1
32	00-936047-00003	Manifold - Rinse (Single) (HHTS).....	1
33	NS-036-19	Stop Nut 5/16-18 Hex (SST).....	2
34	00-067500-00012	O-Ring.....	1
35	00-918336	Manifold - Outside Rinse.....	1
36	SC-041-12	Cap Screw 5/16-18 x 7/8 Hex Hd. (SST).....	2
37	FP-015-17	Elbow - Pipe 1/2 x 90 Deg. (Brass).....	1
38	00-936292	Support - Upper Plumbing.....	1
39	FP-028-03	Pipe Plug 1/8 Sq. Hd. (Brass).....	1
40	00-328994	Probe Assy. - Rinse.....	1
41	FP-040-42	Pipe 1/2 x 1-1/8 TBE (Brass).....	1
42	FP-015-17	Elbow - Pipe 1/2 x 90 Deg. (Brass).....	1
43	FP-015-17	Elbow - Pipe 1/2 x 90 Deg. (Brass).....	1
44	00-435968-00001	Valve - Solenoid (1/2 In.) (110-120 V.) (Incls. Items 45 & 46).....	1
45	00-271839-00001	Coil - Solenoid Valve.....	1
46	00-271837	Service Kit - Solenoid Valve.....	1
47	FP-040-42	Pipe 1/2 x 1-1/8 TBE (Brass).....	3
48	FP-019-21	Tee - Pipe 1/2 x 1/2 x 1/2 (Brass).....	1
49	FP-040-54	Pipe 1/2 x 2-1/2 TBE (Brass).....	1
50	00-918390-00006	Hose - Braided Water 1/2 x 22 In. (SST).....	1

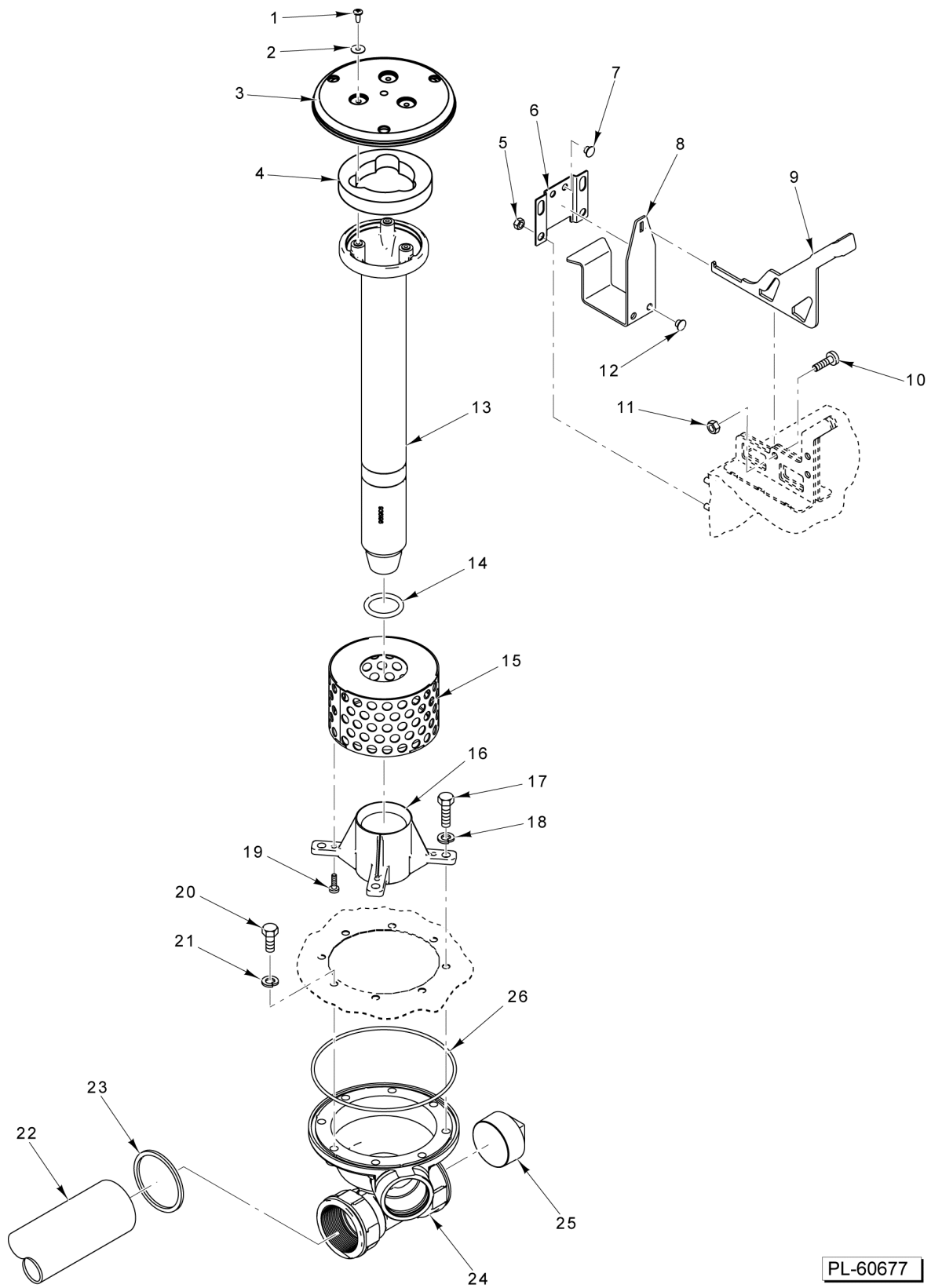


PL-60676

**DRAIN
(WASH TANK)**

DRAIN (WASH TANK)

ILLUS. PL-60676	PART NO.	NAME OF PART	AMT.
1	SD-038-84	Self-Tapping Screw 10-24 x 1/2 Phil. Truss Hd., Type F (SST).....	3
2	WS-017-06	Washer (SST).....	3
3	00-936738	Cover - Standpipe.....	1
4	00-936196	Tube - Overflow.....	1
5	NS-031-19	Stop Nut 1/4-20 Hex (SST).....	4
6	00-919790	Guide - Lift.....	1
7	00-936372	Button - Wear.....	2
8	00-936237	Lift - Guide.....	1
9	00-936236	Link - Lift.....	1
10	SC-130-42	Shoulder Screw 5/16 Dia. 1/4-20 x 1/2 Socket Hex Hd. (SST).....	2
11	NS-047-82	Stop Nut 1/4-20 Hex (SST).....	2
12	00-936372	Button - Wear.....	2
13	00-067500-00120	O-Ring.....	1
14	00-936223	Strainer - Overflow Weldment.....	1
15	RR-012-35	Retaining Ring (External) (SST).....	1
16	00-936247	Guide - Standpipe.....	1
17	SC-041-11	Cap Screw 5/16-18 x 3/4 Hex Hd. (SST).....	4
18	WS-017-08	Washer (0.328 x 0.625 x 0.062) (SST).....	4
19	SC-041-10	Cap Screw 5/16-18 x 5/8 Hex Hd. (SST).....	4
20	WL-006-23	Lockwasher 5/16 Helical (SST).....	4
21	00-067500-00136	O-Ring.....	1
22	00-936767	Pipe Plug 2 In. Sq. Hd.....	1
23	00-919725	Drain.....	1
24	00-919738-00005	Tube - Drain To Drain (18-13/16 In.).....	1
25	00-067500-00057	O-Ring.....	2

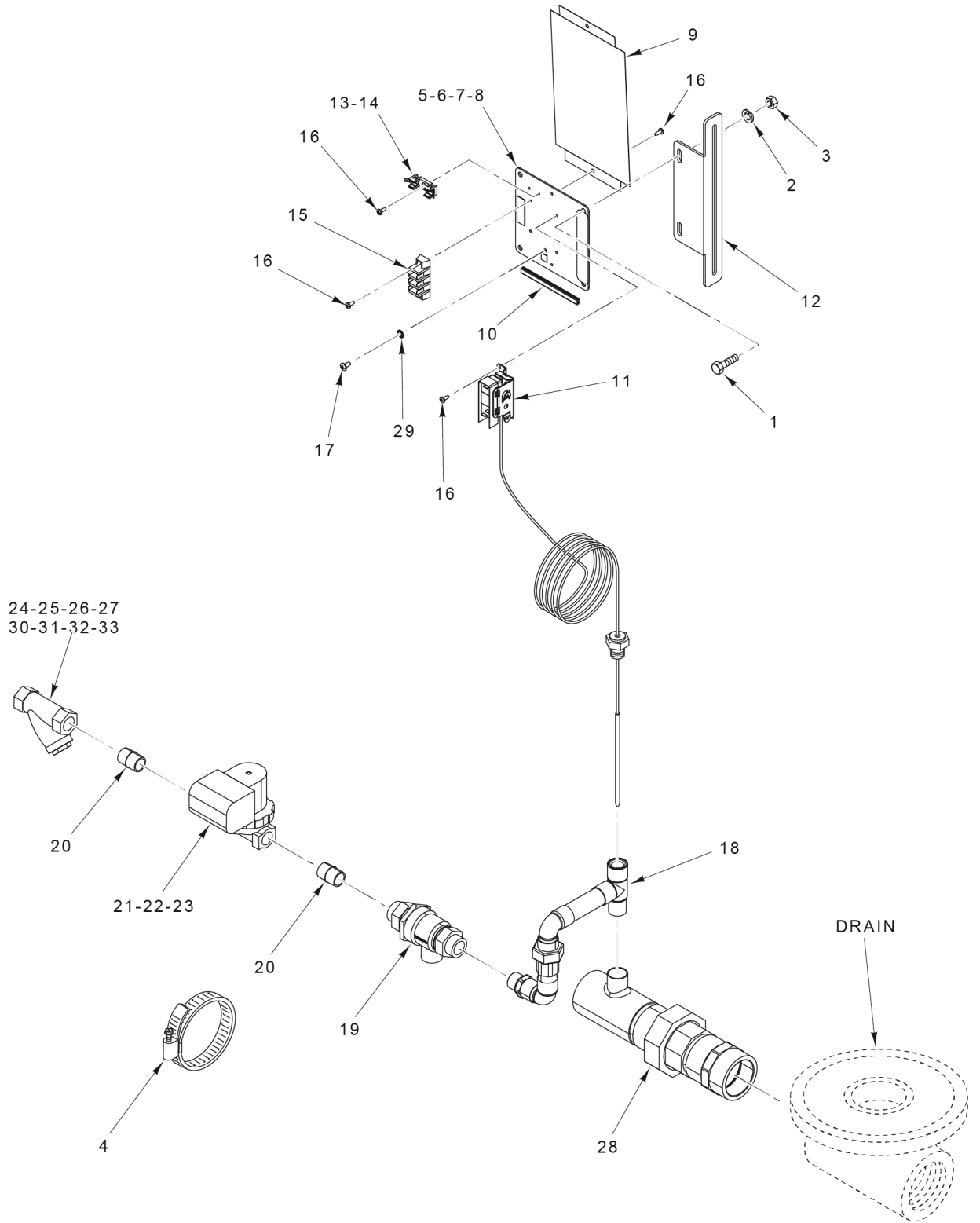


PL-60677

**DRAIN
(POWER RINSE TANK)**

**DRAIN
(POWER RINSE TANK)**

ILLUS. PL-60677	PART NO.	NAME OF PART	AMT.
1	SD-038-84	Self-Tapping Screw 10-24 x 1/2 Phil. Truss Hd., Type F (SST).....	3
2	WS-017-06	Washer (SST).....	3
3	00-936738	Cover - Standpipe.....	1
4	00-936788	Seal - Standpipe Cover.....	1
5	NS-031-19	Stop Nut 1/4-20 Hex (SST).....	4
6	00-919790	Guide - Lift.....	1
7	00-936372	Button - Wear.....	2
8	00-936237	Lift - Guide.....	1
9	00-936236	Link - Lift.....	1
10	SC-130-42	Shoulder Screw 5/16 Dia. 1/4-20 x 1/2 Socket Hex Hd. (SST).....	2
11	NS-047-82	Stop Nut 1/4-20 Hex (SST).....	2
12	00-936372	Button - Wear.....	2
13	00-936196	Tube - Overflow.....	1
14	00-067500-00120	O-Ring.....	1
15	00-936223	Strainer - Overflow Weldment.....	1
16	00-936247	Guide - Standpipe.....	1
17	SC-041-11	Cap Screw 5/16-18 x 3/4 Hex Hd. (SST).....	4
18	WS-017-08	Washer (0.328 x 0.625 x 0.062) (SST).....	4
19	SC-120-35	Mach. Screw 8-32 x 3/8 Phil. Pan Hd. (SST).....	4
20	SC-041-10	Cap Screw 5/16-18 x 5/8 Hex Hd. (SST).....	4
21	WL-006-23	Lockwasher 5/16 Helical (SST).....	4
22	00-919738-00005	Tube - Drain To Drain (18-13/16 In.).....	1
23	00-067500-00057	O-Ring.....	2
24	00-919725	Drain.....	1
25	00-936767	Pipe Plug 2 In. Sq. Hd.....	1
26	00-067500-00136	O-Ring.....	1

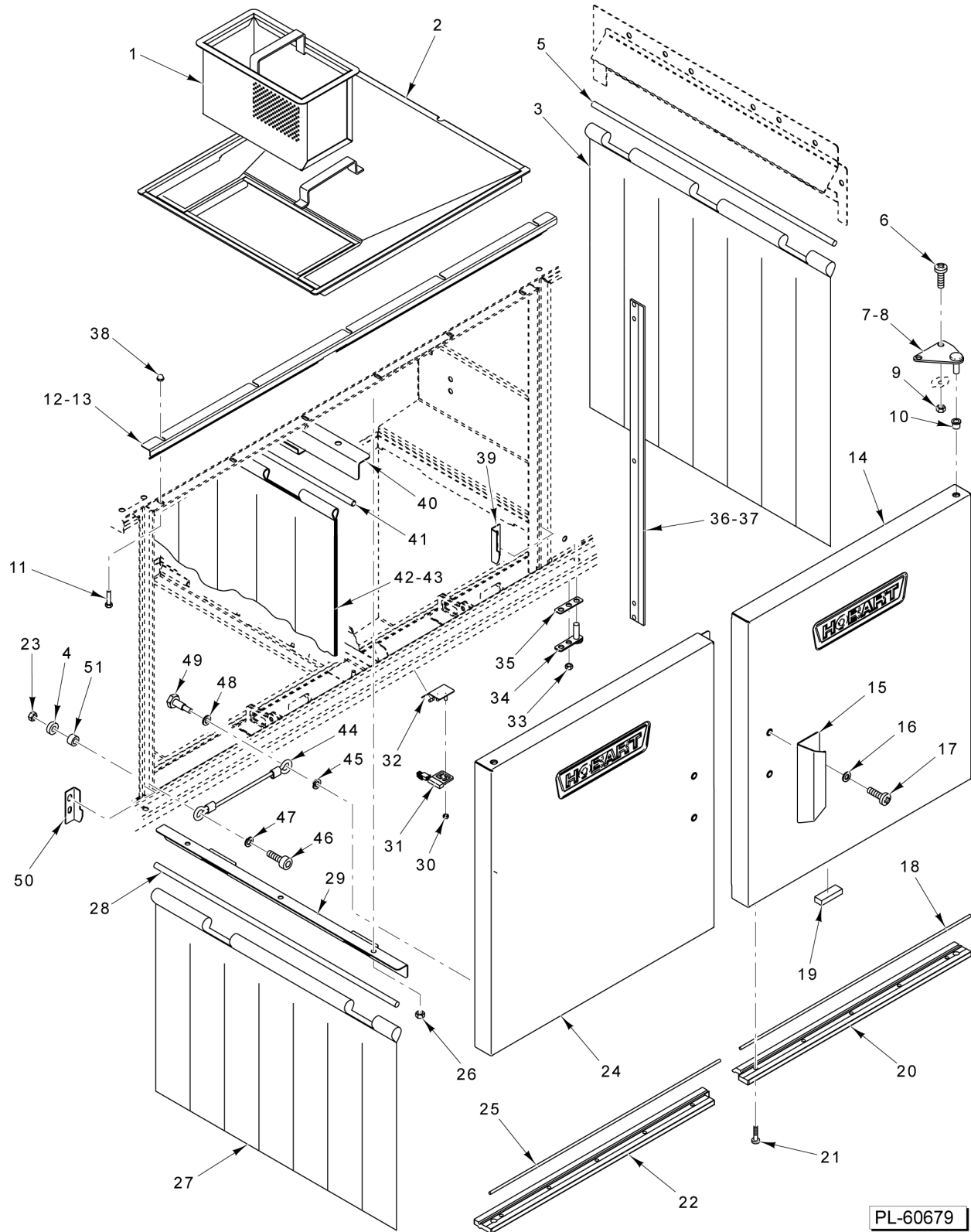


DRAIN WATER TEMPERING

DRAIN WATER TEMPERING

ILLUS. PL-60678	PART NO.	NAME OF PART	AMT.
1	SC-041-50	Cap Screw 1/4-20 x 1/2 Hex Hd. (SST).....	4
2	WL-006-17	Lockwasher 1/4 Helical (SST).....	4
3	NS-015-01	Nut 1/4-20 Hex (SST).....	4
4	00-542337	Clamp - Hose.....	2
5	00-814678	Plate - Base.....	1
6	00-814664	Harness - Control.....	1
7	00-814665	Harness - Thermostat.....	1
8	00-814666	Cable - Solenoid Valve.....	1
9	00-814691	Mylar - Barrier.....	1
10	00-557960	Grommet.....	3
11	00-294681-025-4	Thermostat - Drain (135 Deg.).....	1
12	00-814679	Bracket - Base Plate.....	1
13	00-294436-00003	Block - Fuse.....	1
14	FE-008-48	Fuse (250 V., 0.6 Amp.).....	1
15	00-919742-00003	Block - Terminal.....	1
16	SD-008-17	Self-Tapping Screw 6-20 x 3/8 Phil. Bndg. Hd., Type B.....	5
17	SD-034-59	Self-Tapping Screw 10-32 x 3/8 Phil. Pan Hd., Type T.....	1
18	00-814712-00001	Pipe Assy. (Cold Water).....	1
19	00-223472	Backflow Preventer.....	1
20	FP-040-42	Pipe 1/2 x 1-1/8 TBE (Brass).....	2
21	00-435968-00001	Valve - Solenoid (1/2 In.) (110-120 V.) (Incls. Item 22).....	1
22	00-271839-00001	Coil - Solenoid Valve.....	1
23	00-271837	Service Kit - Solenoid Valve.....	1
*24	00-270258	Strainer - Line (1/2) (Brass) (Kitz) (Incls. Items 25, 26, & 27) (Alternate to Item 30)	1
25	00-270259	Plug - Branch.....	1
26	00-270260	Screen - Strainer (1/2 In.).....	1
27	00-270261	Gasket.....	1
28	00-814711	Drain Pipe Assy.....	1
29	WL-014-07	Lockwasher #10 External Shakeproof (SST).....	1
*30	00-892921	Strainer - Line (1/2) (Brass) (Conbraco) (Incls. Items 31, 32, & 33) (Alternate to Item 23).....	1
31	00-892922-00001	Cap.....	1
32	00-892922-00002	Gasket.....	1
33	00-892922-00003	Screen.....	1

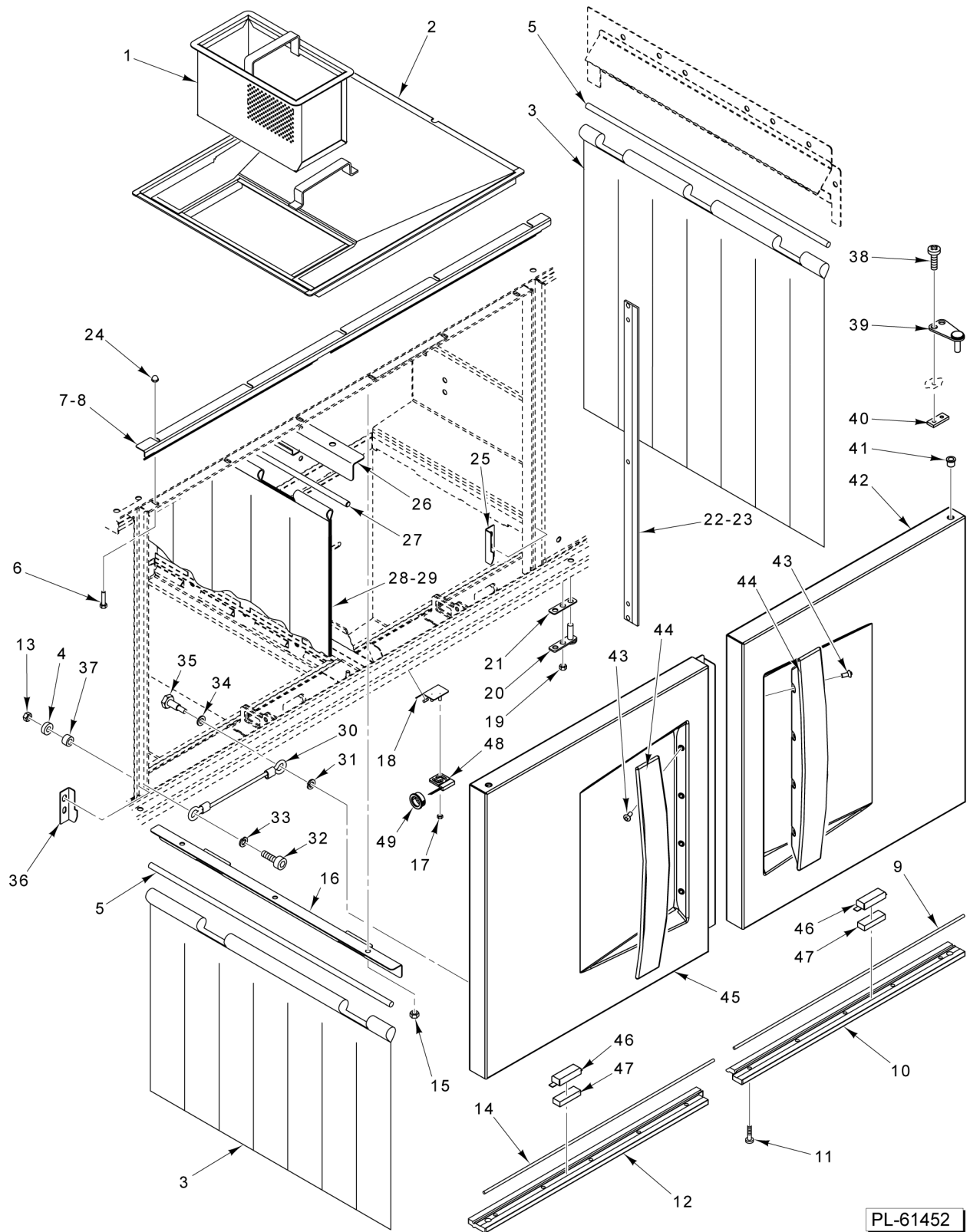
* Kitz line strainer is approx. 0.43 inches longer than Conbraco.



**DOORS
(PREVIOUS CONSTRUCTION)**

**DOORS
(PREVIOUS CONSTRUCTION)**

ILLUS.	PART NO.	NAME OF PART	AMT.
1	00-936161	Strainer - Bucket.....	1
2	00-936025-00002	Strainer - One-Piece.....	1
3	00-815343-00001	Curtain - Splash (Industrial).....	2
4	WS-017-06	Washer (SST).....	2
5	00-919507	Rod - Curtain.....	2
6	SC-041-10	Cap Screw 5/16-18 x 5/8 Hex Hd. (SST).....	4
7	00-936014-00002	Hinge - Top Door (RH).....	1
8	00-936014-00003	Hinge - Top Door (LH).....	1
9	NS-015-11	Nut 5/16-18 Hex (SST).....	1
10	00-919218	Bearing.....	2
11	SC-041-50	Cap Screw 1/4-20 x 1/2 Hex Hd. (SST).....	6
12	00-815418	Deflector - Steam (Long).....	1
13	00-936763	Deflector - Steam (Short).....	1
14	00-936770-00002	Door (HTS) (RH).....	1
15	00-814335	Handle - Door.....	2
16	WS-017-06	Washer (SST).....	4
17	SC-041-50	Cap Screw 1/4-20 x 1/2 Hex Hd. (SST).....	4
18	00-557950	Gasket.....	1
19	00-290160	Magnet.....	2
20	00-919949	Seal - Door Bottom (RH).....	1
21	SC-125-85	Mach. Screw 1/4-20 x 5/8 Phil. Truss Hd. (SST).....	10
22	00-919958	Seal - Door Bottom (LH).....	1
23	NS-036-19	Stop Nut 5/16-18 Hex (SST).....	2
24	00-919960-00002	Door (HTS) (LH).....	1
25	00-557950	Gasket.....	2
26	NS-036-19	Stop Nut 5/16-18 Hex (SST).....	3
27	00-815343-00001	Curtain - Splash (Industrial).....	1
28	00-919507	Rod - Curtain.....	1
29	00-919809	Bracket - Curtain (Short).....	1
30	NS-031-15	Stop Nut 10-24 Hex (SST).....	4
31	00-814641	Kit - Interlock Switch.....	2
32	00-814633-00002	Mount - Reed Switch Weldment.....	2
33	NS-047-82	Stop Nut 1/4-20 Hex (SST).....	4
34	00-935868	Pin - Hinge.....	2
35	00-936266	Gasket - Hinge.....	2
36	00-919956-00001	Deflector - Chamber (STD).....	2
37	00-919956-00002	Deflector - Chamber (HTS).....	2
38	NS-025-06	Crown Nut 1/4-20 (SST).....	6
39	00-936581-00001	Brace - Chamber Front (Right).....	1
40	00-936427	Bracket - Wash Curtain.....	1
41	00-919507	Rod - Curtain.....	1
42	00-815343-00002	Curtain - Wash (Carry Over) (Industrial).....	1
43	00-815343-00003	Curtain - Wash (Short) (Industrial).....	1
44	00-936527	Cable - Door Stop.....	2
45	WL-006-17	Lockwasher 1/4 Helical (SST).....	2
46	SC-130-42	Shoulder Screw 5/16 Dia. 1/4-20 x 1/2 Socket Hex Hd. (SST).....	2
47	WL-006-23	Lockwasher 5/16 Helical (SST).....	2
48	WL-006-23	Lockwasher 5/16 Helical (SST).....	2
49	SC-129-82	Shoulder Screw 1/4 Dia. 1/4-20 x 1/4 Socket Hex Hd. (SST).....	2
50	00-936581-00002	Brace - Chamber Front (Left).....	1
51	00-936526	Cushion - Door Stop.....	2

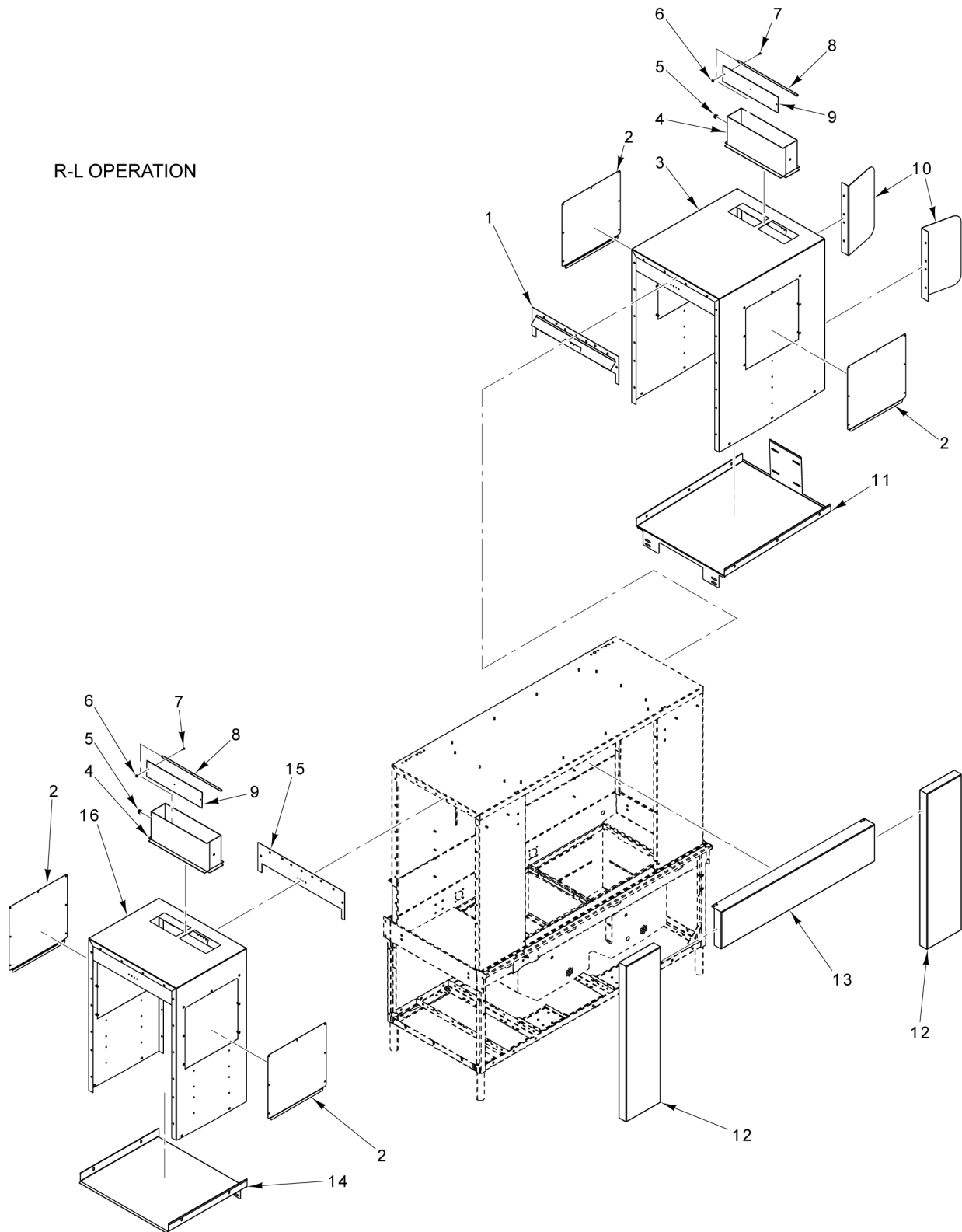


**DOORS
(CURRENT CONSTRUCTION)**

DOORS (CURRENT CONSTRUCTION)

ILLUS. PL-61452	PART NO.	NAME OF PART	AMT.
1	00-936161	Strainer - Bucket.....	1
2	00-936025-00002	Strainer - One-Piece.....	1
3	00-815343-00001	Curtain - Splash (Industrial).....	2
4	WS-017-06	Washer (SST).....	2
5	00-919507	Rod - Curtain.....	2
6	SC-041-50	Cap Screw 1/4-20 x 1/2 Hex Hd. (SST).....	6
7	00-815418	Deflector - Steam (Long).....	1
8	00-936763	Deflector - Steam (Short).....	1
9	00-557950	Gasket.....	1
10	00-919949	Seal - Door Bottom (RH).....	1
11	SC-125-85	Mach. Screw 1/4-20 x 5/8 Phil. Truss Hd. (SST).....	10
12	00-919958	Seal - Door Bottom (LH).....	1
13	NS-036-19	Stop Nut 5/16-18 Hex (SST).....	2
14	00-557950	Gasket.....	2
15	NS-036-19	Stop Nut 5/16-18 Hex (SST).....	3
16	00-919809	Bracket - Curtain (Short).....	1
17	NS-031-15	Stop Nut 10-24 Hex (SST).....	4
18	00-814633-00002	Mount - Reed Switch Weldment.....	2
19	NS-047-82	Stop Nut 1/4-20 Hex (SST).....	4
20	00-935868	Pin - Hinge.....	2
21	00-936266	Gasket - Hinge.....	2
22	00-919956-00001	Deflector - Chamber (STD).....	2
23	00-919956-00002	Deflector - Chamber (HTS).....	2
24	NS-025-06	Crown Nut 1/4-20 (SST).....	6
25	00-936581-00001	Brace - Chamber Front (Right).....	1
26	00-936427	Bracket - Wash Curtain.....	1
27	00-919507	Rod - Curtain.....	1
28	00-815343-00002	Curtain - Wash (Carry Over) (Industrial).....	1
29	00-815343-00003	Curtain - Wash (Short) (Industrial).....	1
30	00-936527	Cable - Door Stop.....	2
31	WL-006-17	Lockwasher 1/4 Helical (SST).....	2
32	SC-130-42	Shoulder Screw 5/16 Dia. 1/4-20 x 1/2 Socket Hex Hd. (SST).....	2
33	WL-006-23	Lockwasher 5/16 Helical (SST).....	2
34	WL-006-23	Lockwasher 5/16 Helical (SST).....	2
35	SC-129-82	Shoulder Screw 1/4 Dia. 1/4-20 x 1/4 Socket Hex Hd. (SST).....	2
36	00-936581-00002	Brace - Chamber Front (Left).....	1
37	00-936526	Cushion - Door Stop.....	2
38	00-974897-00002	Cap Screw 5/16-18 x 5/8 Hex Hd. (SST).....	2
39	00-946760-00002	Hinge - Door (Top).....	2
40	00-974793	Plate - Nut.....	2
41	00-974909	Bearing.....	2
42	00-974396-00002	Door Weldment, Right, 44/64/ HTS.....	1
43	SC-125-94	Mach. Screw 1/4-20 x 1 Phil. Truss Hd. (SST).....	8
44	00-815405	Handle - Door.....	2
45	00-974400-00002	Door Weldment, Left, 44/64, HTS.....	1
46	00-814895	Retainer - Magnet.....	2
47	00-290160	Magnet.....	2
48	00-814624	Switch - Interlock.....	1
49	FE-022-40	Bushing - Electrical Snap.....	1

R-L OPERATION

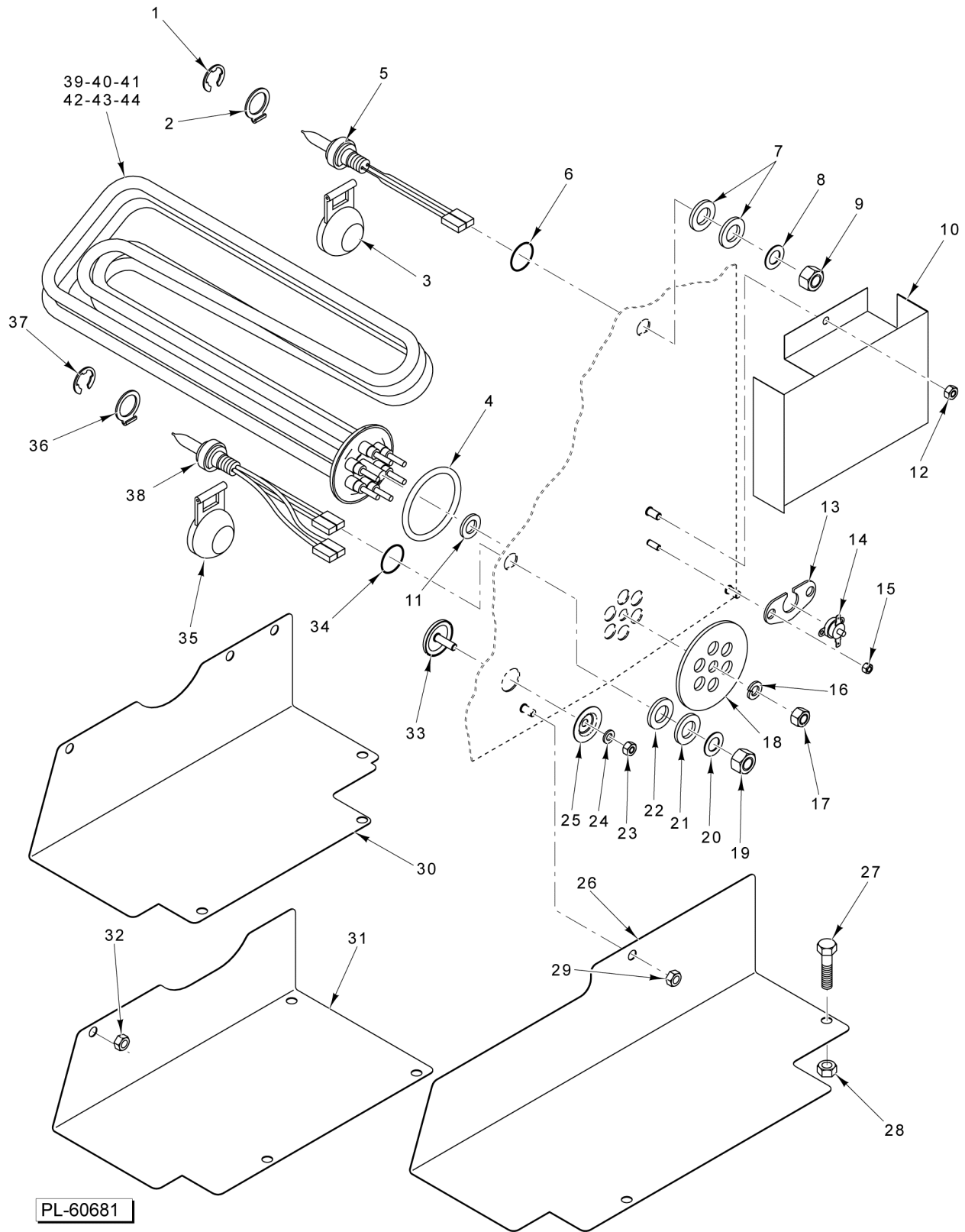


PL-60680

VENT HOOD AND UPPER PANELS

VENT HOOD AND UPPER PANELS

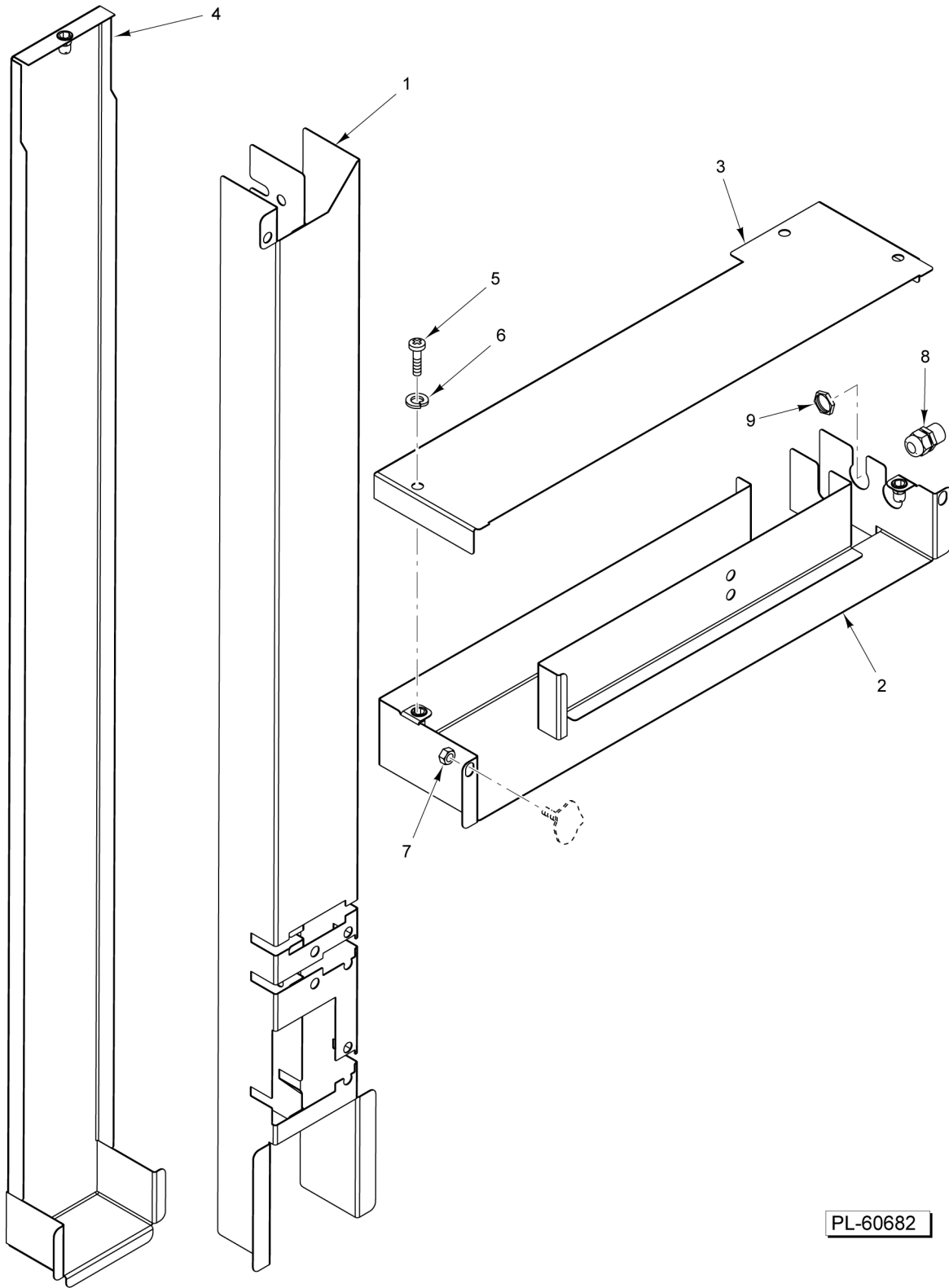
ILLUS.	PART NO.	NAME OF PART	AMT.
PL-60680			
1	00-946771	Drip Shield.....	1
2	00-815396	Plate - Access.....	4
3	00-815439	Hood Extender (30 In.).....	1
4	00-435791	Damper & Vent Stack Assy.....	2
5	NS-036-12	Stop Nut 3/8-24 Hex (SST).....	2
6	NS-031-50	Stop Nut 6-32 Hex (SST).....	6
7	SC-125-25	Mach. Screw 6-32 x 3/4 Phil. Rd. Hd. (SST).....	6
8	00-064919	Shaft - Damper.....	2
9	00-075623	Damper - Vent Stack.....	2
10	00-815320-00002	Guide - Entrance.....	2
11	00-815441	Plate - Table.....	1
12	00-935963-00006	Panel - Chamber Trim.....	2
13	00-815282-00003	Panel - Chamber Trim.....	1
14	00-815276-00006	Plate - Table.....	1
15	00-946755	Endplate.....	1
16	00-815274-00005	Hood - Extender.....	1



**ELECTRIC HEAT AND FLOATS
(2 UNITS REQUIRED)**

ELECTRIC HEAT AND FLOATS (2 UNITS REQUIRED)

ILLUS. PL-60681	PART NO.	NAME OF PART	AMT.
1	RR-010-13	Retaining Ring.....	1
2	00-112467	Retainer - Float.....	1
3	00-122674	Float Assy.....	1
4	00-067500-00034	O-Ring.....	1
5	00-936547-00001	Probe & Switch Assy. (2-Wire) (Short) (Incls. Items 1, 2, & 3).....	1
6	00-067500-00072	O-Ring.....	1
7	WS-010-40	Washer - Thrust.....	2
8	WL-014-31	Lockwasher 1/2 External Shakeproof (SST).....	1
9	NS-018-28	Jam Nut 1/2-20 Hex (SST).....	1
10	00-936634	Barrier - Mylar.....	1
11	WS-018-04	Washer (SST).....	1
12	NS-031-19	Stop Nut 1/4-20 Hex (SST).....	1
13	00-814976	Bracket - High Limit.....	1
14	00-294615-00001	Control - Temperature.....	1
15	NS-031-15	Stop Nut 10-24 Hex (SST).....	2
16	WL-006-27	Lockwasher 3/8 Helical (SST).....	1
17	NS-014-15	Nut 3/8-16 (Brass) (Supplied With Heater).....	1
18	00-919523	Heat Plate - Electric.....	1
19	NS-018-28	Jam Nut 1/2-20 Hex (SST).....	1
20	WL-014-31	Lockwasher 1/2 External Shakeproof (SST).....	1
21	WS-010-40	Washer - Thrust.....	1
22	WS-010-40	Washer - Thrust.....	1
23	NS-015-01	Nut 1/4-20 Hex (SST).....	1
24	WL-006-17	Lockwasher 1/4 Helical (SST).....	1
25	00-119254	Retainer - Cap.....	1
26	00-935871	Panel - Bottom (Wash) (L-R).....	1
27	SC-041-05	Cap Screw 1/4-20 x 5/8 Hex Hd. (SST).....	2
28	NS-031-19	Stop Nut 1/4-20 Hex (SST).....	2
29	NS-031-19	Stop Nut 1/4-20 Hex (SST).....	1
30	00-936106	Panel - Bottom (Rinse) (R-L & L-R).....	1
31	00-936107	Panel - Bottom (Wash) (R-L).....	1
32	NS-031-19	Stop Nut 1/4-20 Hex (SST).....	1
33	00-119244	Cap & Stud Assy.....	1
34	00-067500-00072	O-Ring.....	1
35	00-122674	Float Assy.....	1
36	00-112467	Retainer - Float.....	1
37	RR-010-13	Retaining Ring.....	1
38	00-936547-00002	Switch & Probe Assy. (4-Wire) (Short) (Incls. Items 35, 36, & 37).....	1
39	00-919549-00001	Element - Heater (15 kW, 200 V.) (Wash Tank).....	1
40	00-919549-00002	Element - Heater (15 kW, 220 V.) (Wash Tank).....	1
41	00-919549-00004	Element - Heater (15 kW, 440 V.) (Wash Tank).....	1
42	00-936333-00001	Element - Heater (10 kW, 200 V.) (Power Rinse Tank).....	1
43	00-936333-00002	Element - Heater (10 kW, 220 V.) (Power Rinse Tank).....	1
44	00-936333-00004	Element - Heater (10 kW, 440 V.) (Power Rinse Tank).....	1

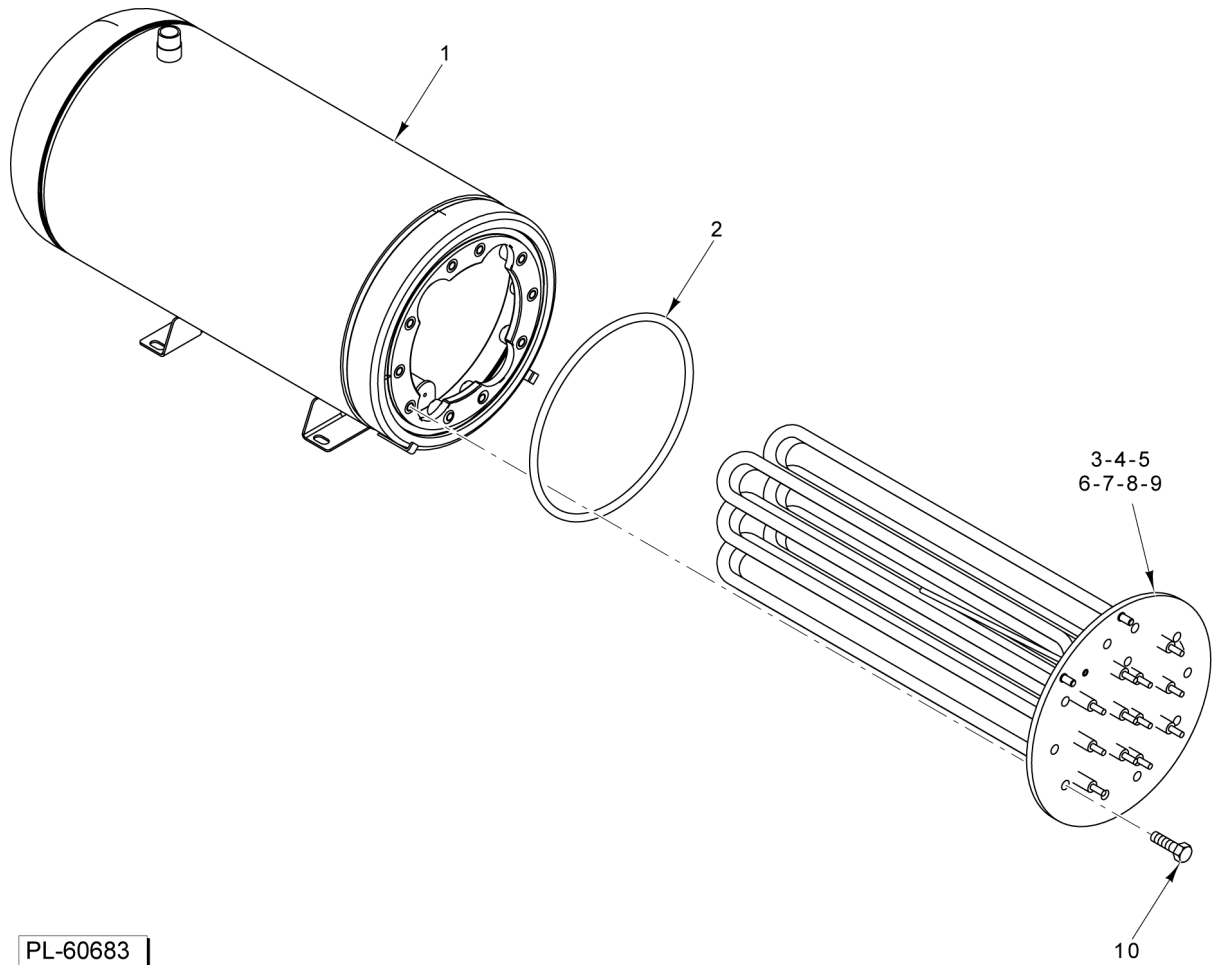


PL-60682

WIREWAY

WIREWAY

ILLUS. PL-60682	PART NO.	NAME OF PART	AMT.
1	00-814760-00002	Wireway (Vertical).....	1
2	00-814756	Wireway Weldment (L-R).....	1
3	00-814759	Wireway - Lid (L-R).....	1
4	00-814763-00003	Wireway - Cover (Vertical).....	1
5	SC-041-50	Cap Screw 1/4-20 x 1/2 Hex Hd. (SST).....	1
6	WL-006-17	Lockwasher 1/4 Helical (SST).....	1
7	NS-031-19	Stop Nut 1/4-20 Hex (SST).....	4
8	FE-022-84	Connector - Strain Relief.....	2
9	FE-024-88	Lock Nut 1/2 Electrical.....	2

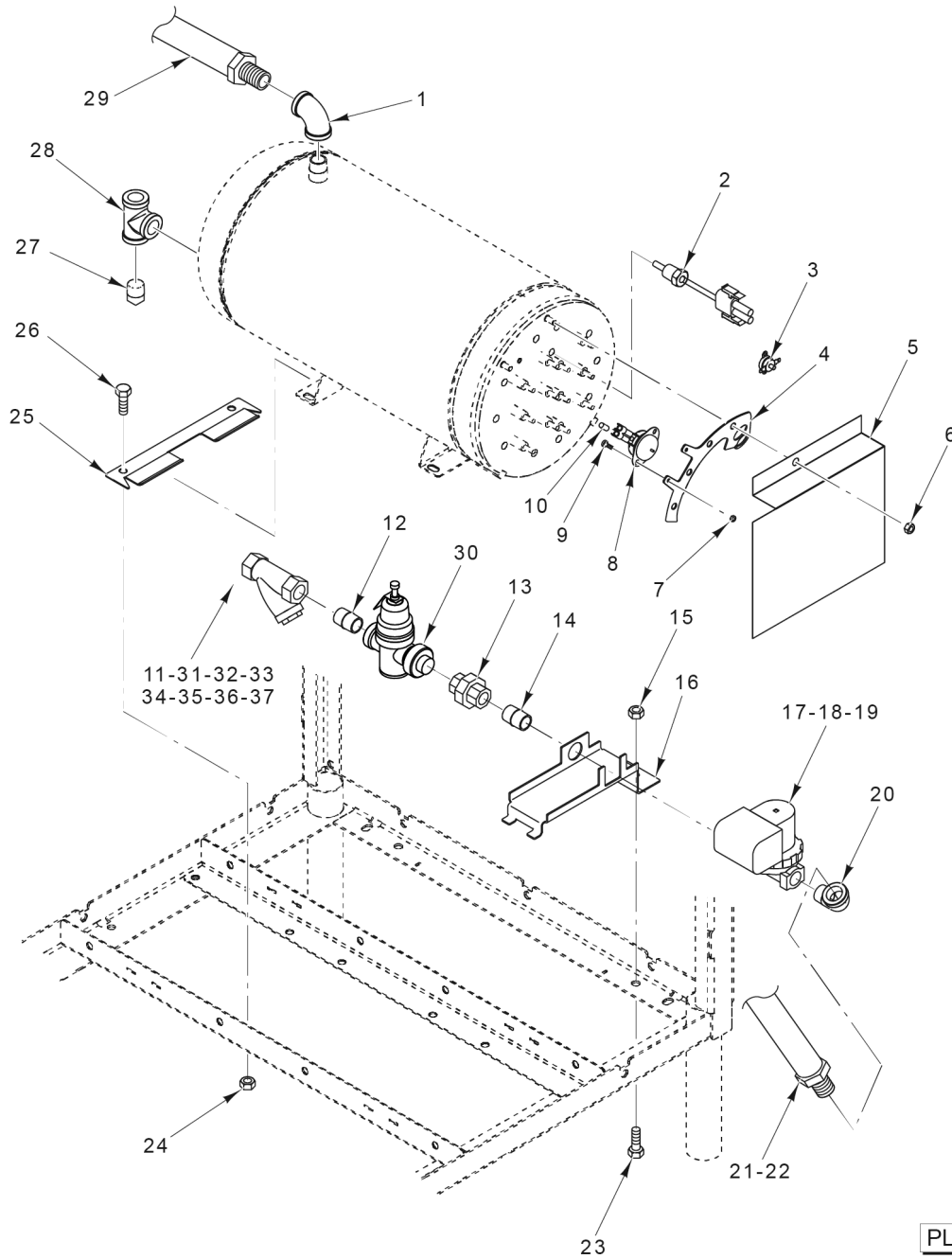


PL-60683

BOOSTER

BOOSTER

ILLUS.	PART NO.	NAME OF PART	AMT.
	PL-60683		
1	00-918500	Tank - Booster Assy.....	1
2	00-067500-00148	O-Ring.....	1
3	00-913102-00140	Heater - Booster & Install Kit (With Stud) (208 V., 30 kW).....	1
4	00-913102-00141	Heater - Booster & Install Kit (With Stud) (240 V., 30 kW).....	1
5	00-913102-00142	Heater - Booster & Install Kit (With Stud) (480 V., 30 kW).....	1
6	00-913102-00144	Heater - Booster & Install Kit (With Stud) (208 V., 15 kW).....	1
7	00-913102-00145	Heater - Booster & Install Kit (With Stud) (240 V., 15 kW).....	1
8	00-913102-00146	Heater - Booster & Install Kit (With Stud) (480 V., 15 kW).....	1
9	00-918706	Kit - Service Booster (Included with Items 3 thru 8) (Incls. Items 2 & 10).....	1
10	00-918512	Mounting Screw (With Sealer).....	10



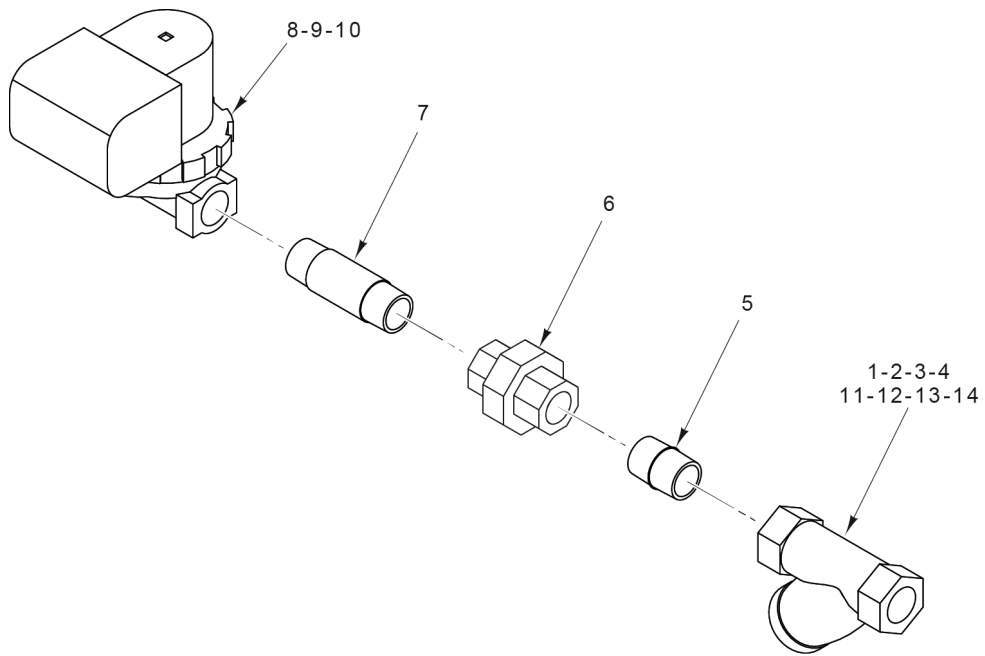
PL-60684

INCOMING WATER AND BOOSTER SUPPORT

INCOMING WATER AND BOOSTER SUPPORT

ILLUS.	PART NO.	NAME OF PART	AMT.
	PL-60684		
1	FP-015-16	Elbow - Pipe 1/2 x 90 Deg. (Brass).....	1
2	00-328994	Probe Assy. - Rinse.....	1
3	00-294615-00001	Control - Temperature.....	1
4	00-936374	Bracket - Booster High Limit.....	1
5	00-936229	Barrier - Mylar.....	1
6	NS-031-15	Stop Nut 10-24 Hex (SST).....	2
7	NS-031-50	Stop Nut 6-32 Hex (SST).....	2
8	00-271123	Protector - High Limit.....	1
9	SC-127-26	Mach. Screw 6-32 x 3/8 Phil. Rd. Hd. (SST).....	2
10	00-293946-00002	Sleeve.....	AR
*11	00-270258	Strainer - Line (1/2) (Brass) (Kitz) (Incls. Items 31,32,33) (Alternate to Item 34).....	1
12	FP-040-42	Pipe 1/2 x 1-1/8 TBE (Brass).....	1
13	FP-022-12	Union - Pipe (Brass).....	1
14	FP-040-42	Pipe 1/2 x 1-1/8 TBE (Brass).....	1
15	NS-036-19	Stop Nut 5/16-18 Hex (SST).....	4
16	00-936221	Support - Inlet Piping.....	1
17	00-435968-00001	Valve - Solenoid (1/2 In.) (110-120 V.).....	1
18	00-271839-00001	Coil - Solenoid Valve.....	1
19	00-271837	Service Kit - Solenoid Valve.....	1
20	FP-015-17	Elbow - Pipe 1/2 x 90 Deg. (Brass).....	1
21	00-893444-00002	Hose - Water (Braided) (84 In.) (SST) (No Booster).....	1
22	00-918390-00007	Hose - Braided Water 1/2 x 48 In. (SST) (Booster).....	1
23	SC-041-10	Cap Screw 5/16-18 x 5/8 Hex Hd. (SST).....	3
24	NS-036-19	Stop Nut 5/16-18 Hex (SST).....	4
26	SC-041-05	Cap Screw 1/4-20 x 5/8 Hex Hd. (SST).....	4
25	00-936360	Mount - Booster Slide.....	1
27	FP-028-15	Pipe Plug 1/2 Sq. Hd. (Brass).....	1
28	FP-019-21	Tee - Pipe 1/2 x 1/2 x 1/2 (Brass).....	1
29	00-918390-00010	Hose - Braided Water 1/2 x 58 In. (SST) (Booster).....	1
30	00-118038-00003	Regulator - Pressure (1/2) (Brass).....	1
31	00-270259	Plug - Branch.....	1
32	00-270260	Screen - Strainer (1/2 In.).....	1
33	00-270261	Gasket.....	1
*34	00-892921	Strainer - Line (1/2) (Brass) (Conbraco) (Incls. Items 35, 36, & 37) (Alternate to Item 11).....	1
35	00-892922-00001	Cap.....	1
36	00-892922-00002	Gasket.....	1
37	00-892922-00003	Screen.....	1

* Kitz line strainer is approx. 0.43 inches longer than Conbraco.



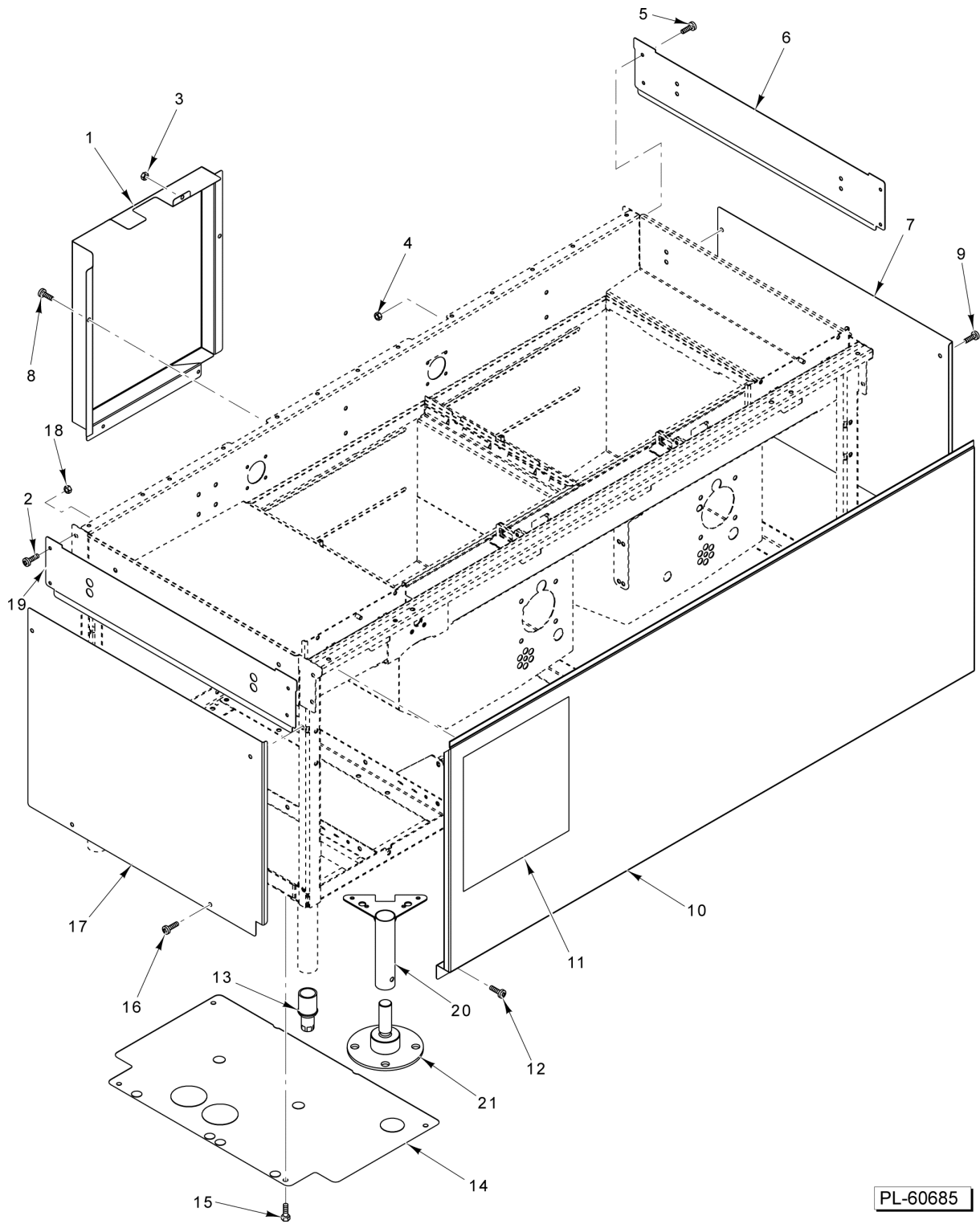
PL-60675

**INCOMING WATER
(NO BOOSTER)**

**INCOMING WATER
(NO BOOSTER)**

ILLUS.	PART NO.	NAME OF PART	AMT.
PL-60675			
*1	00-270258	Strainer - Line (1/2) (Brass) (Kitz) (Incls. Items 2, 3, & 4) (Alternate to Item 36).....	1
2	00-270259	Plug - Branch.....	1
3	00-270260	Screen - Strainer (1/2 In.).....	1
4	00-270261	Gasket.....	1
5	FP-040-42	Pipe 1/2 x 1-1/8 TBE (Brass).....	1
6	FP-022-12	Union - Pipe (Brass).....	1
7	FP-040-54	Pipe 1/2 x 2-1/2 TBE (Brass).....	1
8	00-435968-00001	Valve - Solenoid (1/2 In.) (110-120 V.) (Incls. Item 9).....	1
9	00-271839-00001	Coil - Solenoid Valve.....	1
10	00-271837	Service Kit - Solenoid Valve.....	1
*11	00-892921	Strainer - Line (1/2) (Brass) (Conbraco) (Incls. Items 12, 13, & 14) (Alternate to Item 1).....	1
12	00-892922-00001	Cap.....	1
13	00-892922-00002	Gasket.....	1
14	00-892922-00003	Screen.....	1

* Kitz line strainer is approx. 0.43 inches longer than Conbraco.

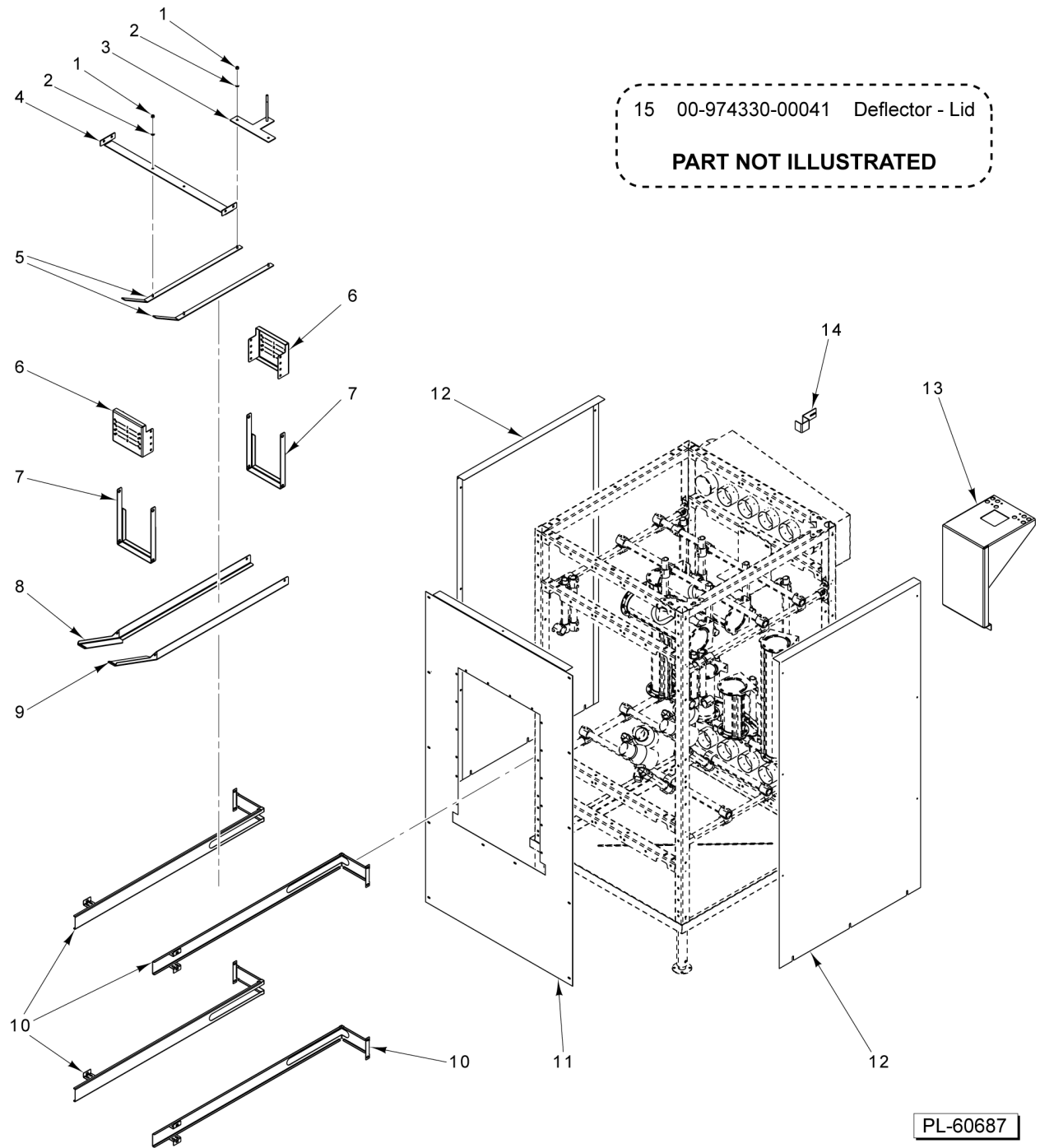


PL-60685

LOWER PANELS

LOWER PANELS

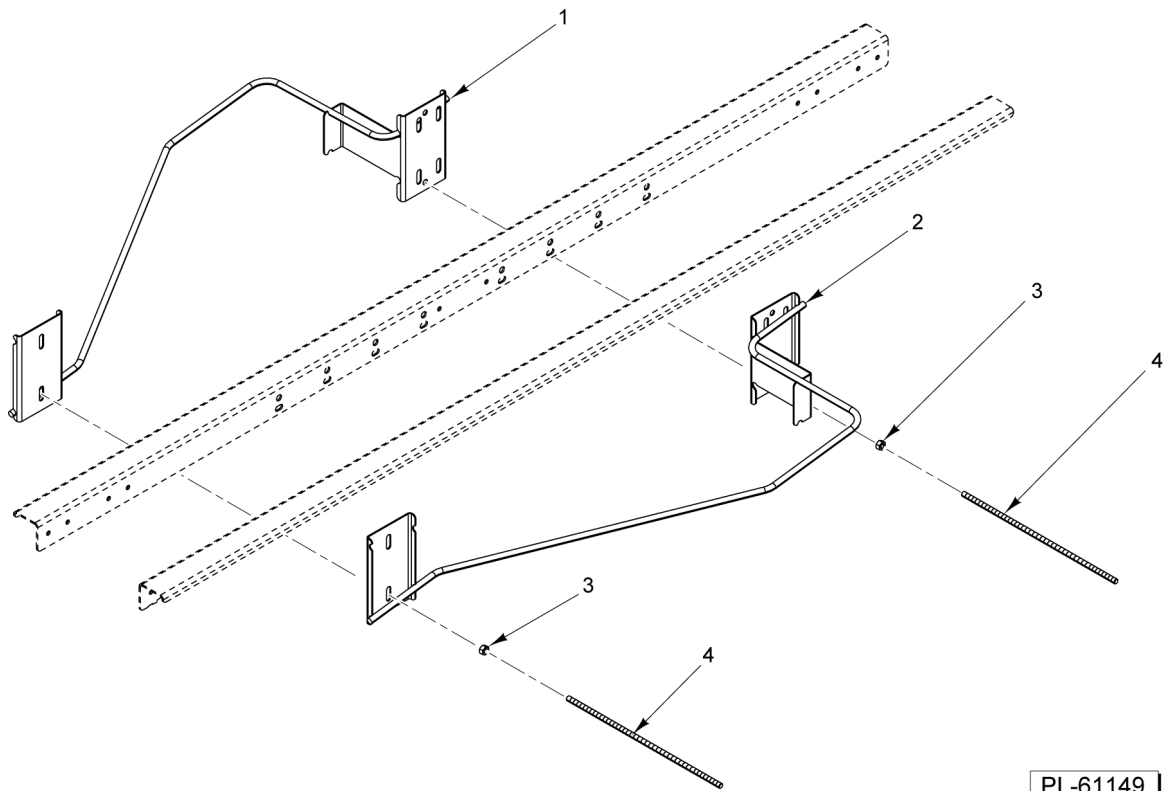
ILLUS. PL-60685	PART NO.	NAME OF PART	AMT.
1	00-936426	Trim - Rear Panel.....	1
2	SC-125-15	Mach. Screw 1/4-20 x 1/2 Phil. Truss Hd.....	4
3	NS-031-19	Stop Nut 1/4-20 Hex (SST).....	2
4	NS-031-19	Stop Nut 1/4-20 Hex (SST).....	4
5	SC-125-15	Mach. Screw 1/4-20 x 1/2 Phil. Truss Hd.....	4
6	00-936574-00002	Trim - Tank End (RH).....	1
7	00-919867	Panel - Trim End (Right).....	1
8	SC-041-05	Cap Screw 1/4-20 x 5/8 Hex Hd. (SST).....	3
9	SC-125-15	Mach. Screw 1/4-20 x 1/2 Phil. Truss Hd.....	4
10	00-935980	Trim - Front Panel.....	1
11	00-948326	Label - Cleaning Instructions (Tri-Lingual).....	1
12	SC-125-15	Mach. Screw 1/4-20 x 1/2 Phil. Truss Hd.....	2
13	00-288946-00002	Foot - Adjustable (1-5/8) (SST).....	4
14	00-919877	Panel - Bottom Trim.....	1
15	SC-041-05	Cap Screw 1/4-20 x 5/8 Hex Hd. (SST).....	4
16	SC-125-15	Mach. Screw 1/4-20 x 1/2 Phil. Truss Hd.....	4
17	00-919875	Panel - Trim End (Left).....	1
18	NS-031-19	Stop Nut 1/4-20 Hex (SST).....	4
19	00-936574-00001	Trim - Tank End (LH).....	1
20	00-948137	Leg - Flanged.....	1
21	00-948140	Foot - Flanged.....	1



**PANELS AND GUIDES
(BLOWER SECTION)**

**PANELS AND GUIDES
(BLOWER SECTION)**

ILLUS. PL-60687	PART NO.	NAME OF PART	AMT.
1	NS-031-19	Stop Nut 1/4-20 Hex (SST).....	4
2	WS-017-08	Washer (0.328 x 0.625 x 0.062) (SST).....	4
3	00-815369	Rail Guide End.....	1
4	00-815366	Rail - Guide.....	1
5	00-815371	Rail - Guide.....	2
6	00-815454	Bracket - Hold Down.....	2
7	00-815452	Hanger - Hold Down.....	2
8	00-815453-00001	Rail - Hold Down.....	1
9	00-815453-00002	Rail - Hold Down.....	1
10	00-815341-00003	Guide - Rail.....	4
11	00-815304-00004	Panel - Trilm.....	1
12	00-815304-00002	Panel - Trim.....	2
13	00-815340-00002	Bracket - Pawl Bar Support.....	1
14	00-815434	Brace - Frame.....	1
15	00-974330-00041	Deflector - Lid.....	1



PL-61149

TRANSITION BAR (OPTIONAL)

TRANSITION BAR (OPTIONAL)

ILLUS.	PART NO.	NAME OF PART	AMT.
PL-61149			
1	00-815468-00001	Bar - Transition.....	1
2	00-815468-00002	Bar - Transition.....	1
3	NS-015-11	Nut 5/16-18 Hex (SST).....	8
4	00-815448	Rod - Threaded.....	2

