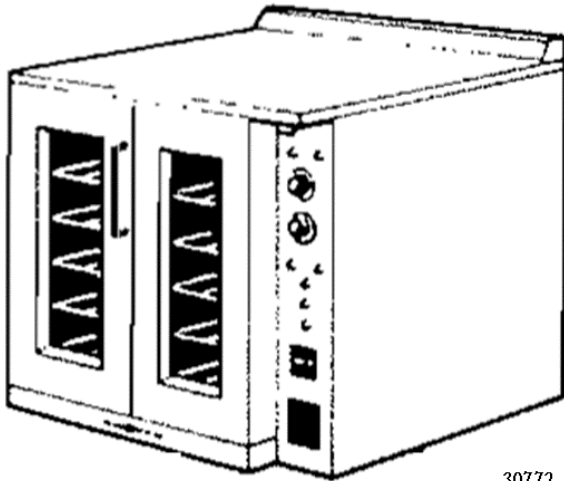




CATALOG OF REPLACEMENT PARTS



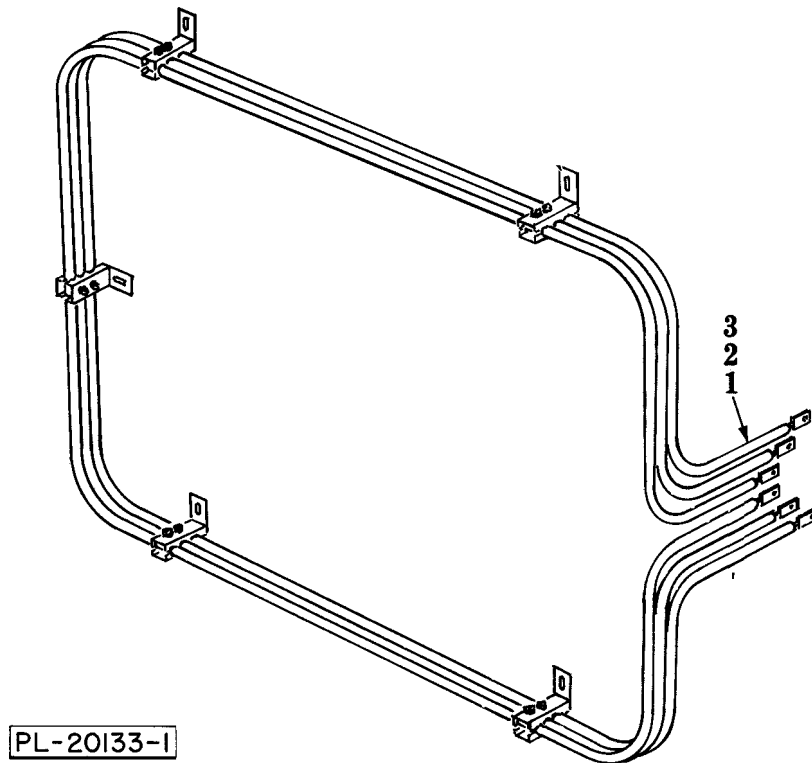
30772

Electric Convection Ovens CN90,
CN91, CN95 (Includes the
following ML numbers - 43391,
43392, 43393, 43394, 43406, 43407,
43408, 43409, 43437, 43435, 43436)

Electric Convection Ovens CN90, CN91, CN95 (Includes the following ML numbers - 43391, 43392, 43393, 43394, 43406, 43407, 43408, 43409, 43437, 43435, 43436) REPLACEMENT PARTS

Table of Contents

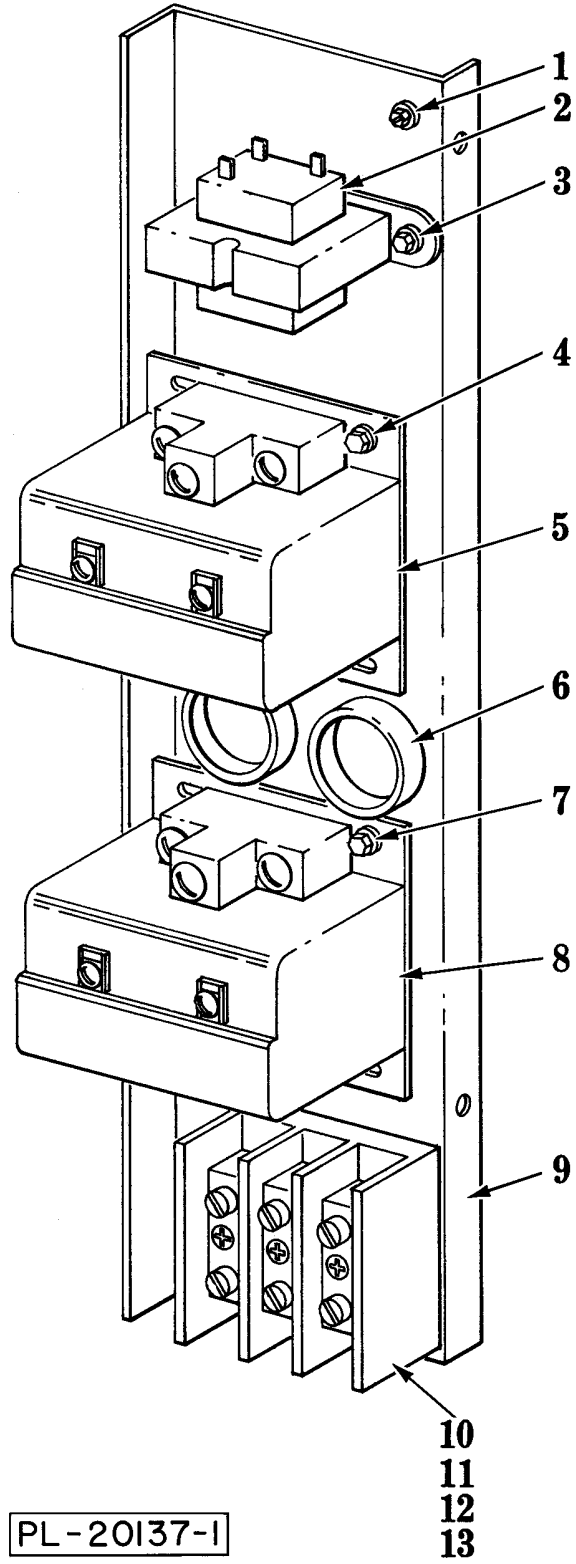
5	HEATING UNIT
7	ELECTRICAL COMPONENT PANEL UNIT
9	CONTROL PANEL UNIT
11	OVEN UNIT
15	OVEN UNIT



HEATING UNIT

HEATING UNIT

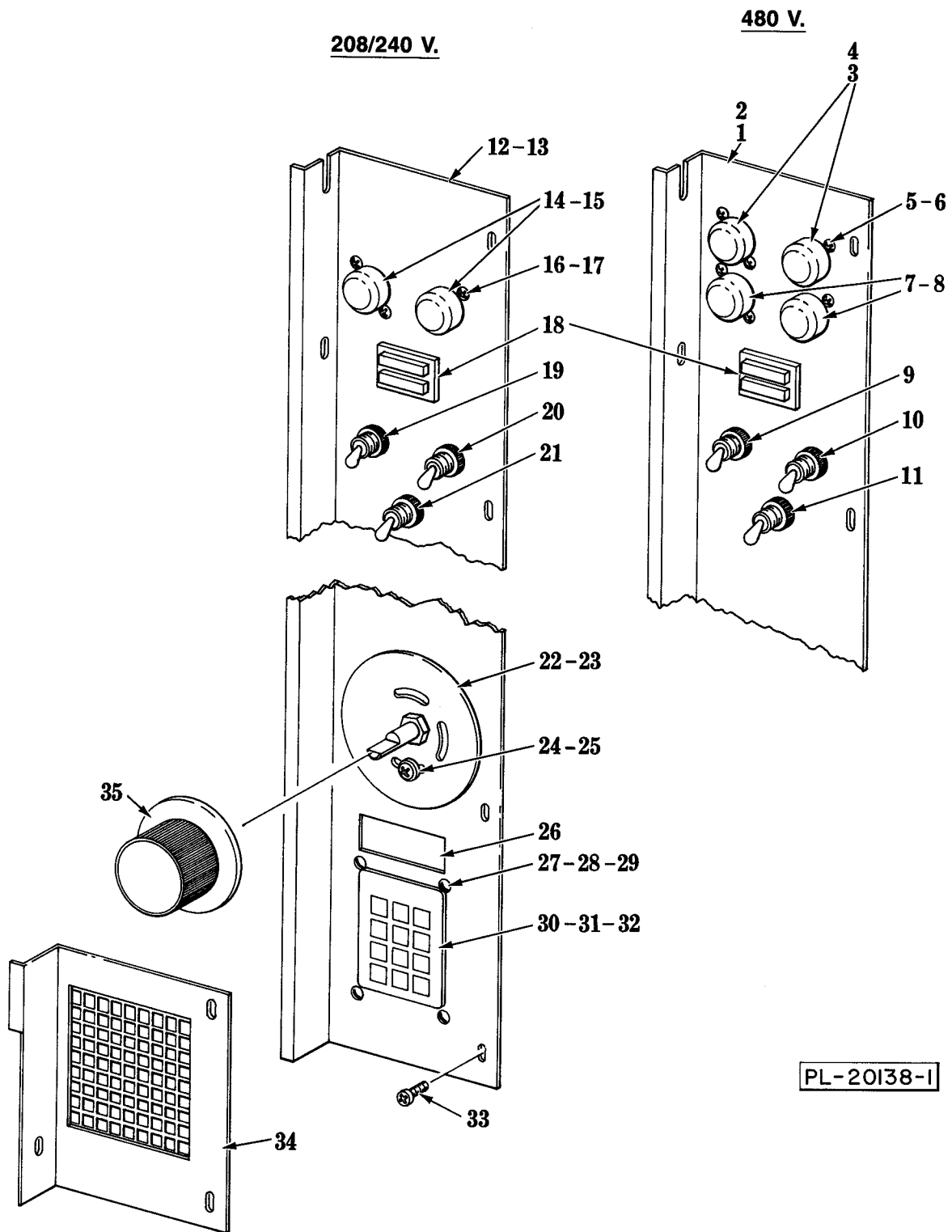
ILLUS.	PART NO.	NAME OF PART	AMT.
PL-20133-1C			
1	342170-1	Heating Unit Assy. - 208 V.....	1
2	342170-2	Heating Unit Assy. - 240 V.....	1
3	344865-1	Heating Unit Assy. - 480 V.....	1



ELECTRICAL COMPONENT PANEL UNIT

ELECTRICAL COMPONENT PANEL UNIT

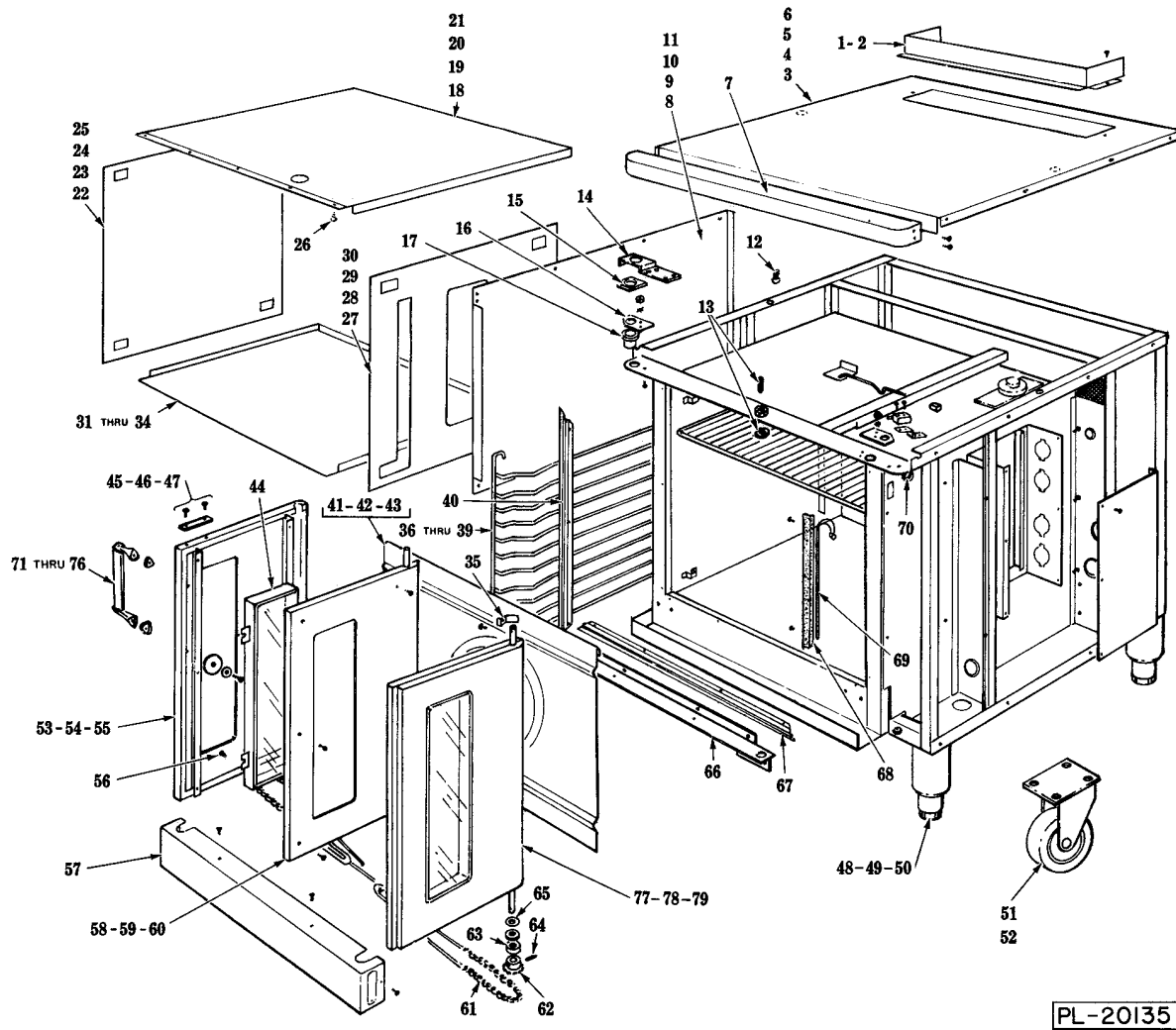
ILLUS. PL-20137-1	PART NO.	NAME OF PART	AMT.
1	345186-1	NLA - Obsolete--Screw - Ground.....	1
2	335653-1	Transformer.....	1
3	SD-34-49	Self-Tapping Screw 8 x 1/2 Slot Hex Washer Hd., Type T.....	2
4	SD-34-49	Self-Tapping Screw 8 x 1/2 Slot Hex Washer Hd., Type T.....	2
5	354071-1	Relay - Mercury.....	1
6	350660-10	Bushing.....	2
7	SD-34-49	Self-Tapping Screw 8 x 1/2 Slot Hex Washer Hd., Type T.....	2
8	354071-1	Relay - Mercury.....	1
9	353944-1	Panel - Component.....	1
10	SD-34-21	Self-Tapping Screw 10 x 1/2 Slot Hd Washer Hd., Type AB.....	2
11	345504-1	Terminal Block (208/240 V.) (Use with item 9).....	1
12	77656	Terminal Block (480 V.) (Use with item 9).....	1
13	SD-34-65	Self-Tapping Screw 10 x 1 Slot Hex Washer Hd., Type T.....	2
	354505-6	Lead Set (208/240 V.).....	1
	354505-7	NLA - Obsolete--Lead Set (480 V.).....	1
	345519-1	Plug (Natural) (4 Circuits).....	1
	345519-2	Plug (Natural) (12 Circuits).....	1
	345750-1	Plug (Black) (6 Circuits).....	1



CONTROL PANEL UNIT

CONTROL PANEL UNIT

ILLUS.	PART NO.	NAME OF PART	AMT.
	PL-20138-1		
1	353954-1	Panel - Control (480 V.) (1 Speed Motor).....	1
2	353954-2	NLA - Obsolete--Panel - Control (480 V.) (2 Speed Motor).....	1
3	344138-2	Fuse Holder (15 Amp., 300 V.).....	2
4	FE-19-40	Fuse (15 Amp., 300 V.).....	2
5	SC-114-27	Mach. Screw 8-32 x 1/2 Phil. Pan Hd.....	8
6	NS-46-51	Mach. Nut 8-32 Hex.....	8
7	344138-4	Fuse Holder (20 Amp., 600 V.).....	2
8	FE-23-6	Fuse (15 Amp., 600 V.).....	2
9	340324-11	Switch (4 P.D.T.) (480 V.).....	1
10	340324-6	Switch (D.P.S.T.) (480 V.).....	1
11	340324-9	Switch (D.P.D.T.) (480 V.) (2 Speed Motor).....	1
12	353943-1	Panel - Control (208/240 V.) (1 Speed Motor).....	1
13	353943-2	Panel - Control (208/240 V.) (2 Speed Motor).....	1
14	344138-2	Fuse Holder (15 Amp., 300 V.).....	2
15	FE-19-40	Fuse (15 Amp., 300 V.).....	2
16	SC-114-27	Mach. Screw 8-32 x 1/2 Phil. Pan Hd.....	4
17	NS-46-51	Mach. Nut 8-32 Hex.....	4
18	354375-1	Light - Indicator (2 Lens).....	1
19	340324-11	Switch (4 P.D.T.) (208/240 V.).....	1
20	340324-6	Switch (D.P.S.T.) (208/240 V.).....	1
21	340324-9	Switch (D.P.D.T.) (208/240 V.) (2 Speed Motor).....	1
22	353560-1	Plate - Dial (150/450 Degree F.).....	1
23	353613-1	Thermostat.....	1
24	SC-114-83	Mach. Screw 6-32 x 1/4 Slot Pan Hd.....	2
25	WS-28-20	Washer.....	2
26	353619-1	Filter.....	1
27	345967-2	Spacer.....	4
28	SC-116-86	Mach. Screw 2-56 x 3/4 Phil. Pan Hd.....	4
29	WL-19-29	Lock Washer 2 Int. Shakeproof.....	4
30	347618-1	Keyboard.....	1
31	347619-1	Gasket.....	1
32	335691-1	P.C. Board Assy.....	1
33	SD-34-22	Self-Tapping Screw 10-16 x 5/8 Phil. Truss Hd., Type AB.....	AR
34	354024-1	NLA - Obsolete--Panel - Control Assy. Lower.....	1
35	354208-1	Knob - Control.....	1
	354505-1	Lead Set (208/240 V.).....	1
	354505-2	Lead Set (208/240 V.).....	1
	354505-3	NLA - Obsolete--Lead Set (480 V.).....	1
	354505-4	NLA - Obsolete--Lead Set (480 V.) (CN90/91).....	1
	345520-1	Plug - Cap (Natural) (4 Circuits) (208/240 V.).....	1
	345520-2	Plug - Cap (Natural) (12 Circuits) (208/240 V.).....	1
	345520-1	Plug - Cap (Natural) (4 Circuits) (480 V.).....	2
	345520-2	Plug - Cap (Natural) (12 Circuits) (480 V.).....	1



PL-20135

OVEN UNIT

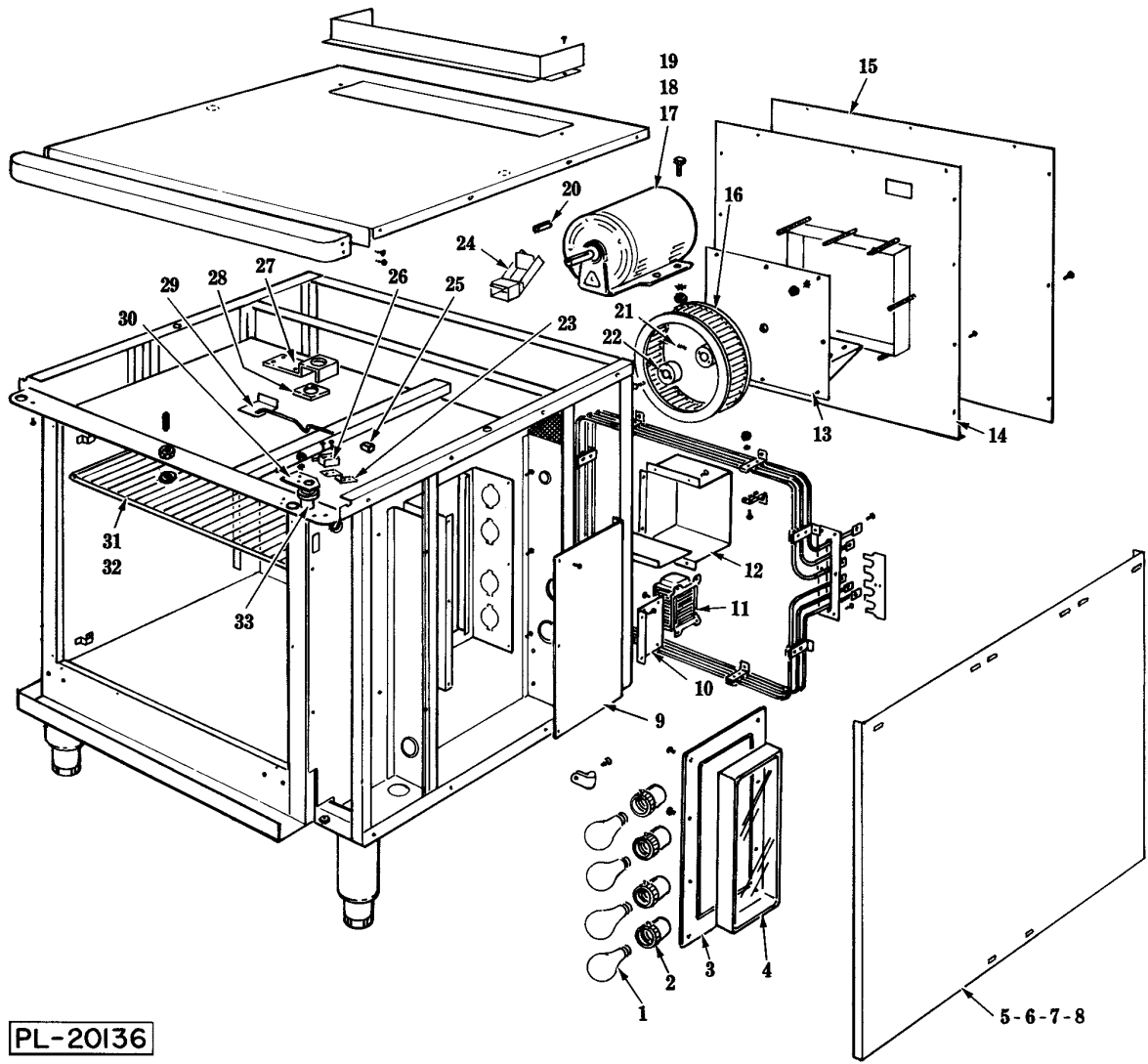
OVEN UNIT

ILLUS. PL-20135	PART NO.	NAME OF PART	AMT.
1	343516-1	Shell - Chimney (PTD.).....	1
2	343516-2	Shell - Chimney (SST).....	1
3	343508-1	Top - Rear (PTD.) (CN90 & CN95).....	1
4	343508-2	Top - Rear (SST) (CN90 & CN95).....	1
5	343508-3	Top - Rear (PTD.) (CN91).....	1
6	343508-4	Top - Rear (SST) (CN91).....	1
7	343501-1	Top - Front.....	1
8	342201-1	Panel - Outer (L.H.) (PTD.) (CN90 & CN95).....	1
9	342201-2	Panel - Outer (L.H.) (SST) (CN90 & CN95).....	1
10	342201-3	Panel - Outer (L.H.) (PTD.) (CN91).....	1
11	342201-4	Panel - Outer (L.H.) (SST) (CN91).....	1
12	339337-1	Stud - Locating.....	2
13	347545-1	Door Catch Assy.....	1
14	353484-1	Retainer.....	1
15	353482-1	Spacer.....	1
16	353483-1	Plate - Upper Door Bearing.....	2
17	347080-2	Bushing.....	1
18	342597-1	Panel - Top (Teflon) (CN90 & CN95).....	1
19	342597-2	Panel - Top (SST) (CN90 & CN95).....	1
20	342597-3	Panel - Top (Teflon) (CN91).....	1
21	342597-4	Panel - Top (SST) (CN91).....	1
22	342595-1	Panel - L.H. (Teflon) (CN90 & CN95).....	1
23	342595-2	Panel - L.H. (SST) (CN90 & CN95).....	1
24	342595-3	NLA - Obsolete--Panel - L.H. (Teflon) (CN91).....	1
25	342595-4	NLA - Obsolete--Panel - L. H. (SST) (DN98).....	1
26	SD-34-21	Self-Tapping Screw 10 x 1/2 Slot. Hex Washer Hd., Type AB.....	5
27	354201-1	Panel - R.H. (Teflon) (CN90 & CN95).....	1
28	354201-2	Panel - R.H. (SST) (CN90 & CN95).....	1
29	354201-3	Panel - R.H. (Teflon) (CN91).....	1
30	354201-4	Panel - R.H. (SST) (CN91).....	1
31	342598-1	Panel - Bottom (Teflon) (CN90 & CN95).....	1
32	342598-2	Panel - Bottom (SST) (CN90 & CN95).....	1
33	342598-3	NLA - Obsolete--Panel - Bottom (Teflon) (DNO98).....	1
34	342598-4	Panel - Bottom (SST) (CN91).....	1
35	343530-1	Lever - Door Switch.....	1
36	342141-1	Rack - Support (L.H.) (CN90 & CN95).....	1
37	342141-2	Rack - Support (R.H.) (CN90 & CN95).....	1
38	342141-3	Rack - Support (L.H.) (CN91).....	1
39	342141-4	Rack - Support (R.H.) (CN91).....	1
40	342155-1	Gasket - Door (L/R) (20").....	2
41	342601-2	Blower Baffle (Aluminum Steel).....	1
42	342601-3	Panel - Blower Baffle (Teflon).....	1
43	346833-1	Panel - Blower Baffle (SST).....	1
44	342129-1	NLA - Obsolete--Window Assy.....	2
45	347546-1	Strike - Door.....	1
46	347577-1	Shim.....	1
47	SC-114-17	Mach. Screw 10-32 x 3/4 Phil Pan Hd.....	1
48	340445-2	Leg - Adjustable (6").....	AR
49	342150-5	Leg - Adjustable (8").....	AR
50	342150-4	Leg - Adjustable (25-3/4").....	AR
51	341655-6	Caster - 6" "Swivel".....	AR
52	341655-7	Caster - 6" "Rigid".....	AR
53	342125-1	Door - Front (L.H.) (SST) (W/Window).....	1
54	342125-2	Door - Front (R.H.) (SST) (W/Window).....	1
55	345904-1	Door - Front (L.H./R.H.) (SST) (Solid).....	2

OVEN UNIT

ILLUS. PL-20135	PART NO.	NAME OF PART	AMT.
56	SD-34-62	Self-Tapping Screw 10 x 1/2 Slot. Hex Washer Hd., Type T.....	8
57	343515-1	Front Cover - Door Sill.....	1
58	342124-1	Door - Inner (L.H.) (SST) (W/Window).....	1
59	342124-2	Door - Inner (R.H.) (SST) (W/Window).....	1
60	345906-1	Door - Inner (L.H./R.H.) (SST) (Solid).....	2
61	343608-2	Door Chain Assy. (SST).....	2
62	342166-1	Sprocket - Door Shaft (Incls. item 60).....	2
63	347080-2	Bearing - Door Shaft.....	2
64	PS-4-11	Spirol Pin 3/16 x 1-1/4 (Sprocket).....	2
65	343143-1	Washer.....	4
66	342137-1	Door Sill Assy.....	1
67	342155-2	Gasket - Door 29".....	2
68	342132-4	Guard - Thermostat Bulb.....	1
69	354319-1	Probe Assy.....	1
70	342154-2	Plug - Thermostat.....	1
71	347063-1	Door Handle (Solid).....	1
72	347608-1	Door Handle (W/Window).....	1
73	SC-114-29	Mach. Screw 1/4-20 x 3/8 Phil. Pan Hd.....	2
74	347711-1	Grip - Door Handle.....	1
75	WS-29-45	Washer.....	2
76	SC-114-10	Mach. Screw 8-32 x 1/4 Phil. Pan Hd.....	2
77	342235-1	L.H. Door Assy. (SST) (W/Window) (Incls. items 44, 53 & 58).....	1
78	342235-2	R.H. Door Assy. (SST) (W/Window) (Incls. items 44, 54 & 59).....	1
79	346822-1	L.H./R.H. Door Assy. (SST) (Solid) (Incls items 55 & 60).....	1

NOTES



OVEN UNIT

OVEN UNIT

ILLUS. PL-20136	PART NO.	NAME OF PART	AMT.
1	342766-1	Light Bulb - Oven (40 Watts).....	4
2	340263-1	Socket - Oven Light.....	4
3	343611-2	Trim - Window.....	1
4	342129-2	Window - Oven Light.....	1
5	342200-1	Panel - Outer (R.H.) (PTD.) (CN90 & CN95).....	1
6	342200-2	Panel - Outer (R.H.) (SST) (CN90 & CN95).....	1
7	354547-3	Panel - Outer (R.H.) (PTD.) (CN91).....	1
8	354547-4	Panel - Outer (R.H.) (SST) (CN91).....	1
9	343517-1	Cover - Light Chamber.....	1
10	342326-1	Plate - Transformer Mounting (480 V.).....	1
11	347365-13	Transformer (480 V.).....	1
12	345525-1	Partition Unit.....	1
13	343514-1	Motor Mount.....	1
14	342196-1	Back - Inner Panel.....	1
15	342199-1	Panel - Back (PTD.).....	1
16	342205-1	Blower.....	1
17	345201-1	Motor 3/4 H.P. (1 Speed).....	1
18	342146-3	Motor 1/2 H.P. (2 Speed).....	1
19	346217-1	Washer - Motor Mounting.....	8
20	343529-2	Key - Blower (1-3/8" Lg.).....	1
21	SC-113-53	Set Screw 5/16-24 x 3/8 Soc. Hdls.....	2
22	342206-1	Hub - Blower.....	1
23	343509-1	Bracket - Door Switch.....	1
24	343599-1	Vent - Extension - Short.....	1
25	341564-3	Knob - Vent.....	1
26	342147-1	Switch - Door.....	1
27	353484-1	Plate - Retainer.....	1
28	353482-1	Spacer.....	1
29	343499-1	Slide & Rod (Vent).....	1
30	353483-1	Plate - Upper Door Bearing.....	1
31	342142-1	Rack Assy. (CN90 & CN95).....	1
32	342142-2	Rack Assy. (CN91).....	1
33	347080-2	Bushing.....	2

Electric Convection Ovens CN90, CN91, CN95 (Includes the following ML numbers - 43391, 43392, 43393, 43394, 43406, 43407, 43408, 43409, 43437, 43435, 43436) REPLACEMENT PARTS
