



# CATALOG OF REPLACEMENT PARTS

## OVENS

### CN90

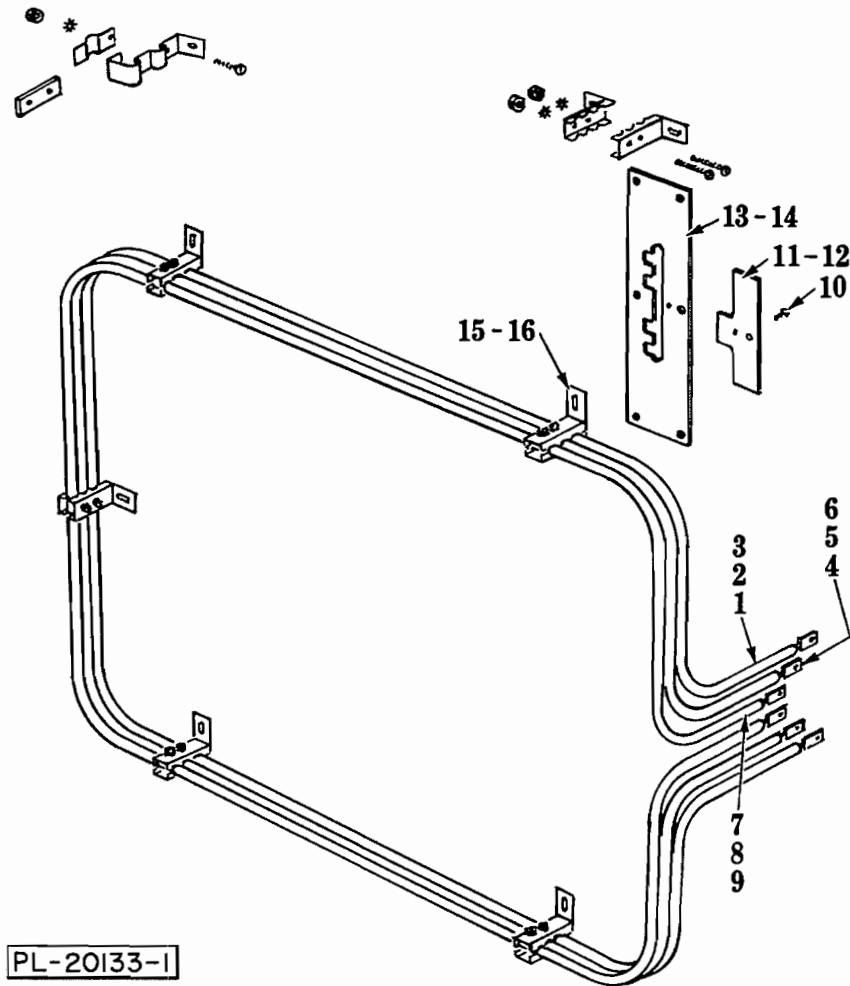
ML-43391	PAINTED	ML-43392
ML-43393	SST	ML-43394

### CN91

ML-43406	PAINTED	ML-43408
ML-43407	SST	ML-43409

### CN95

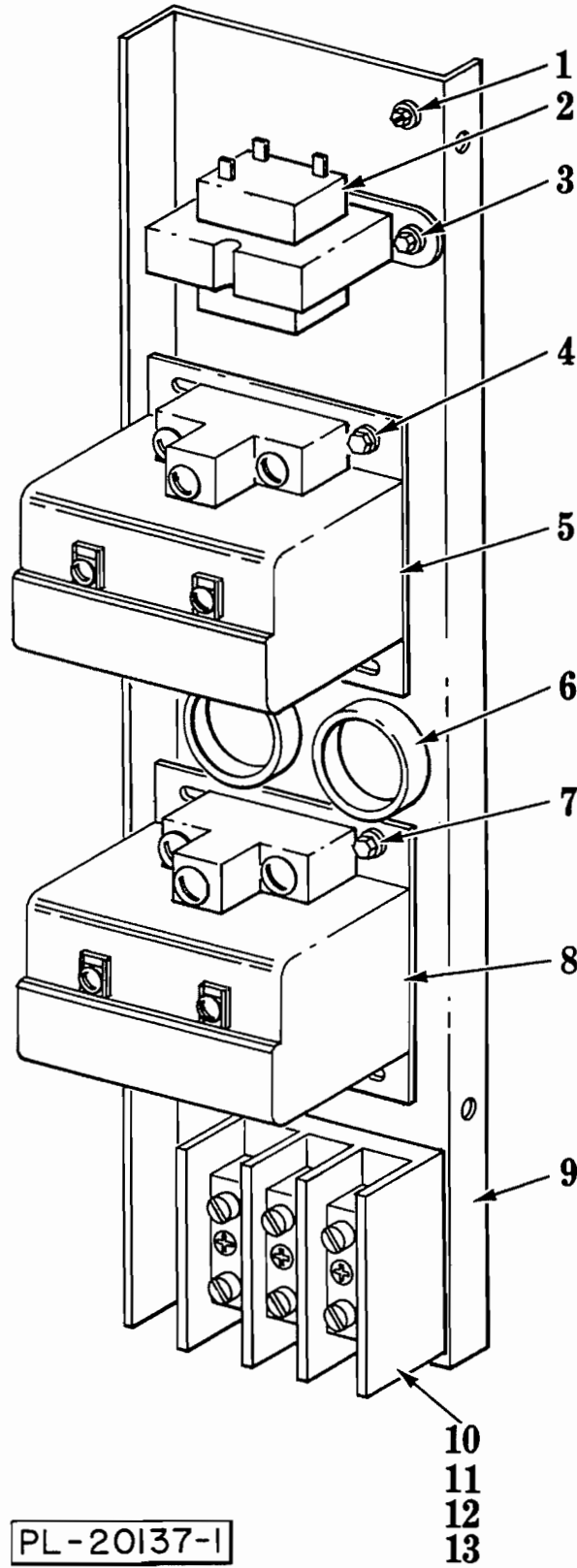
ML-43437	PAINTED	ML-43436
ML-43435	SST	



HEATING UNIT

## HEATING UNIT

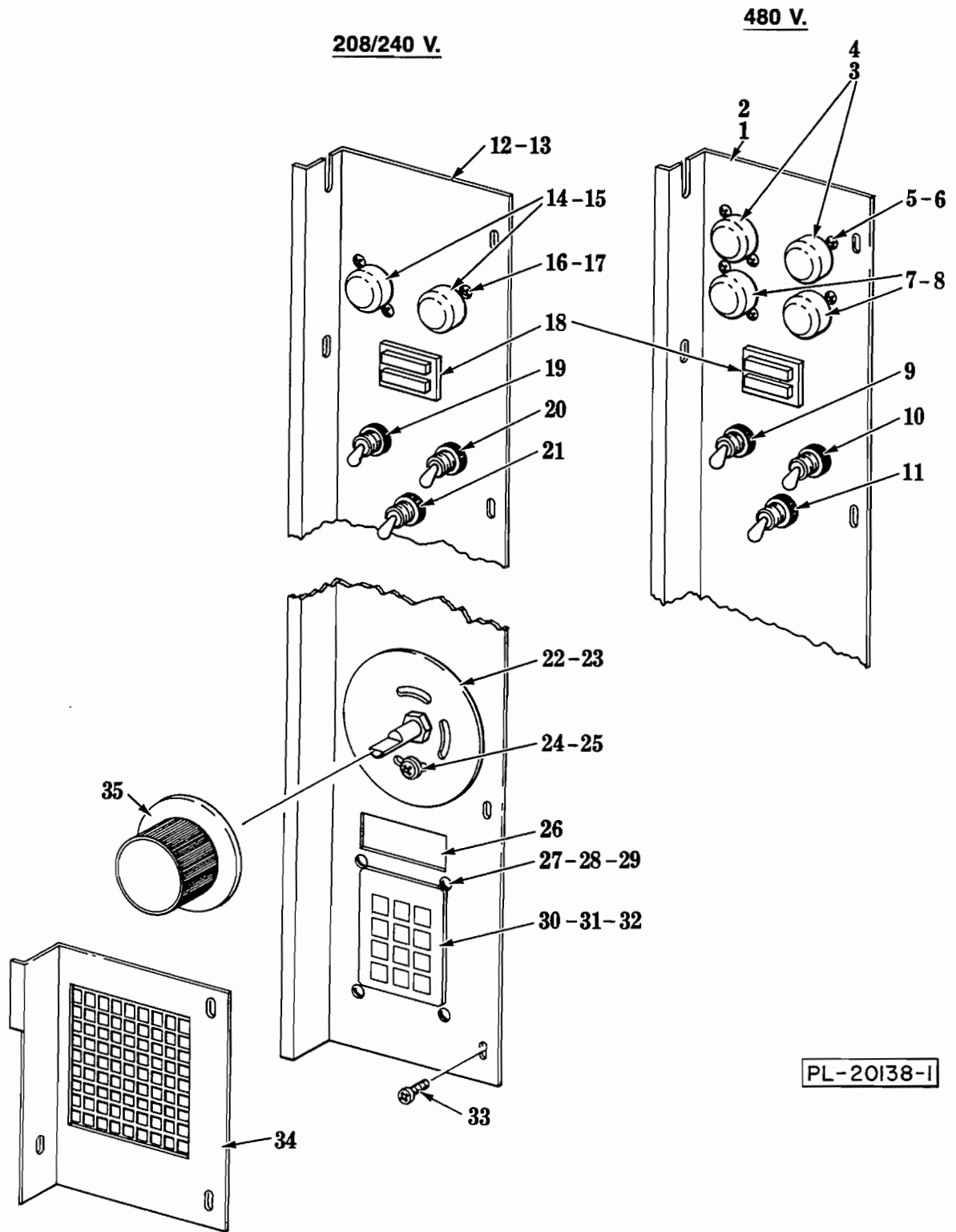
ILLUS. PL-20133-1	PART NO.	NAME OF PART <sup>11</sup>	AMT.
1	347193-1	Heating Unit - Third - 208 V .....	1
2	347199-1	Heating Unit - Third - 240 V .....	1
3	347199-6	Heating Unit - Third - 480 V .....	1
4	347193-2	Heating Unit - Middle - 208 V .....	1
5	347199-2	Heating Unit - Middle - 240 V .....	1
6	347199-4	Heating Unit - Middle - 480 V .....	1
7	347193-3	Heating Unit - First - 208 V .....	1
8	347199-3	Heating Unit - First - 240 V .....	1
9	347199-5	Heating Unit - First - 480 V .....	1
10	SD-34-62	Self-Tapping Screw 10 x ½ Slot Hex Washer Hd., Type T .....	1
11	343601-1	Seal Plate (208/240 V.) .....	1
12	344863-1	Seal Plate (480 V.) .....	1
13	347150-1	Clamp & Hardware - Heating Unit- Large (208/240 V.) .....	1
14	344862-1	Seal Plate (480 V.) .....	1
15	347148-1	Clamp & Hardware - Heating Unit - Small (208/240 V.) .....	7
16	347159-1	Clamp & Hardware - Heating Unit 480 V .....	1
	342170-1	Heating Unit Assy. - 208 V. (Incls. items 1, 4, 7, 10, 11, 13 & 15) .....	1
	342170-2	Heating Unit Assy. - 240 V. (Incls. items 2, 5, 8, 10, 11, 13 & 15) .....	1
	344865-1	Heating Unit Assy. - 480 V. (Incls. items 3, 6, 9, 10, 12, 14 & 16) .....	1



ELECTRICAL COMPONENT PANEL UNIT

## ELECTRICAL COMPONENT PANEL UNIT

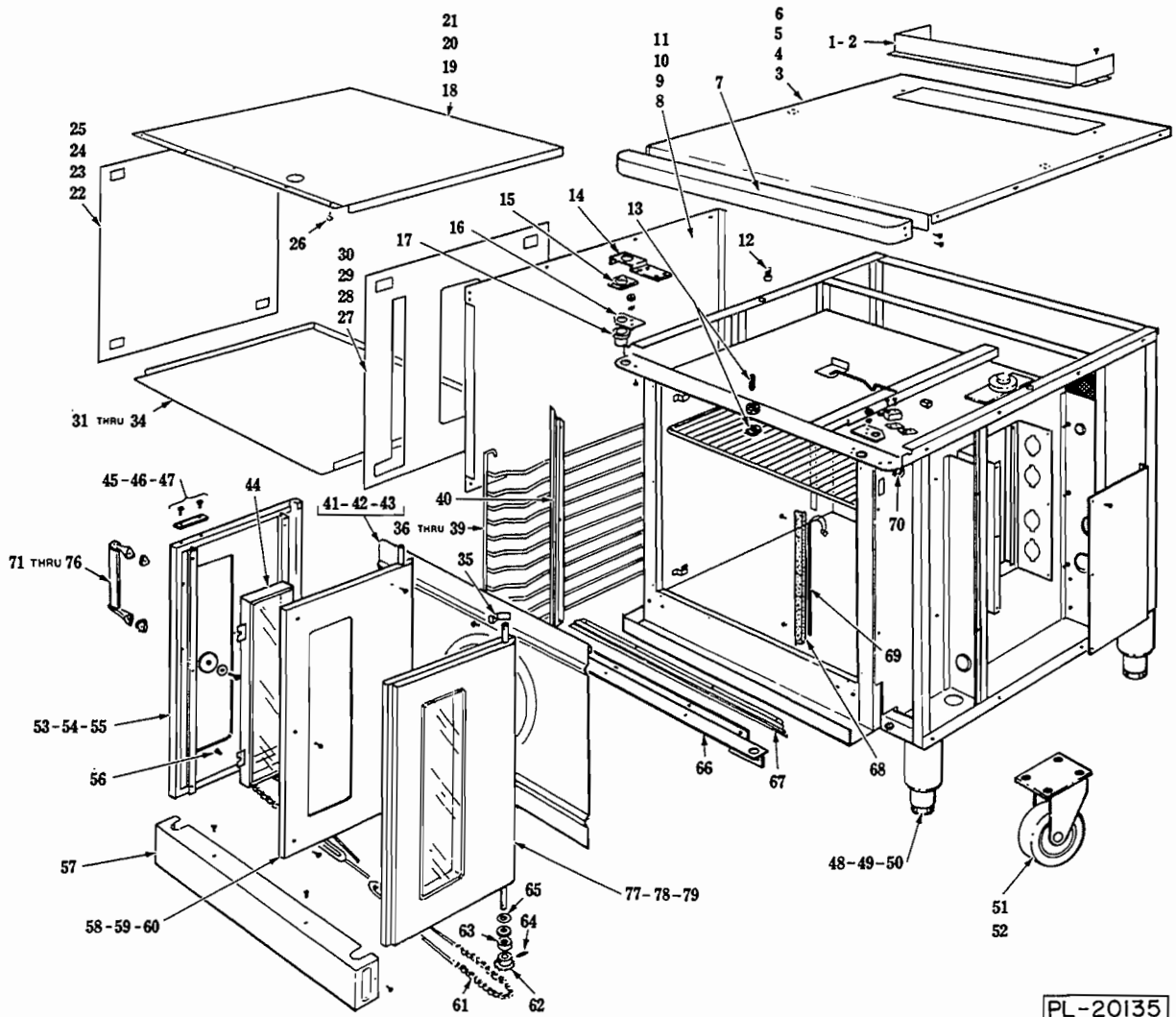
ILLUS. PL-20137-1	PART NO.	NAME OF PART <sup>15</sup>	AMT.
1	345186-1	Screw - Grounding	1
2	335653-1	Transformer	1
3	SD-34-49	Self-Tapping Screw 8 x 1/2 Slot Hex Washer Hd., Type T	2
4	SD-34-49	Self-Tapping Screw 8 x 1/2 Slot Hex Washer Hd., Type T	2
5	354071-1	Relay - Mercury	1
6	350660-10	Bushing	2
7	SD-34-49	Self-Tapping Screw 8 x 1/2 Slot Hex Washer Hd., Type T	2
8	354071-1	Relay - Mercury	1
9	353944-1	Panel - Component	1
10	SD-34-21	Self-Tapping Screw 10 x 1/2 Slot Hd Washer Hd., Type AB	2
11	345504-1	Terminal Block (208/240 V.) (Use with item 9)	1
12	77656	Terminal Block (480 V.) (Use with item 9)	1
13	SD-34-65	Self-Tapping Screw 10 x 1 Slot Hex Washer Hd., Type T	2
	354505-6	Lead Set (208/240 V.)	1
	354505-7	Lead Set (480 V.)	1
	345519-1	Plug (Natural) (4 Circuits)	1
	345519-2	Plug (Natural) (12 Circuits)	1
	345750-1	Plug (Black) (6 Circuits)	1



**CONTROL PANEL UNIT**

## CONTROL PANEL UNIT

ILLUS. PL-20138-1	PART NO.	NAME OF PART <sup>15</sup>	AMT.
1	353954-1	Panel - Control (480 V.) (1 Speed Motor)	1
2	353954-2	Panel - Control (480 V.) (2 Speed Motor)	1
3	344138-2	Fuse Holder (15 Amp., 300 V.)	2
4	FE-19-40	Fuse (15 Amp., 300 V.)	2
5	SC-114-27	Mach. Screw 8-32 x 1/2 Phil. Pan Hd	8
6	NS-46-51	Mach. Nut 8-32 Hex	8
7	344138-4	Fuse Holder (20 Amp., 600 V.)	2
8	FE-23-6	Fuse (15 Amp., 600 V.)	2
9	340324-11	Switch (4 P.D.T.) (480 V.)	1
10	340324-6	Switch (D.P.S.T.) (480 V.)	1
11	340324-9	Switch (D.P.D.T.) (480 V.) (2 Speed Motor)	1
12	353943-1	Panel - Control (208/240 V.) (1 Speed Motor)	1
13	353943-2	Panel - Control (208/240 V.) (2 Speed Motor)	1
14	344138-2	Fuse Holder (15 Amp., 300 V.)	2
15	FE-19-40	Fuse (15 Amp., 300 V.)	2
16	SC-114-27	Mach. Screw 8-32 x 1/2 Phil. Pan Hd	4
17	NS-46-51	Mach. Nut 8-32 Hex	4
18	354375-1	Light - Indicator (2 Lens)	1
19	340324-11	Switch (4 P.D.T.) (208/240 V.)	1
20	340324-6	Switch (D.P.S.T.) (208/240 V.)	1
21	340324-9	Switch (D.P.D.T.) (208/240 V.) (2 Speed Motor)	1
22	353560-1	Plate - Dial (150°/450°F.)	1
23	353613-1	Thermostat	1
24	SC-114-83	Mach. Screw 6-32 x 1/4 Slot Pan Hd	2
25	WS-28-20	Washer	2
26	353619-1	Filter	1
27	345967-2	Spacer	4
28	SC-116-86	Mach. Screw 2-56 x 3/4 Phil. Pan Hd	4
29	WL-19-29	Lock Washer 2 Int. Shakeproof	4
30	347618-1	Keyboard	1
31	347619-1	Gasket	1
32	335691-1	P.C. Board Assy	1
33	SD-34-22	Self-Tapping Screw 10-16 x 5/8 Phil. Truss Hd., Type AB	AR
34	354024-1	Panel - Control Assy. Lower	1
35	354208-1	Knob - Control	1
	354505-1	Lead Set (208/240 V.)	1
	354505-2	Lead Set (208/240 V.)	1
	354505-3	Lead Set (480 V.)	1
	354505-4	Lead Set (480 V.) (CN90/91)	1
	345520-1	Plug - Cap (Natural) (4 Circuits) (208/240 V.)	1
	345520-2	Plug - Cap (Natural) (12 Circuits) (208/240 V.)	1
	345520-1	Plug - Cap (Natural) (4 Circuits) (480 V.)	2
	345520-2	Plug - Cap (Natural) (12 Circuits) (480 V.)	1

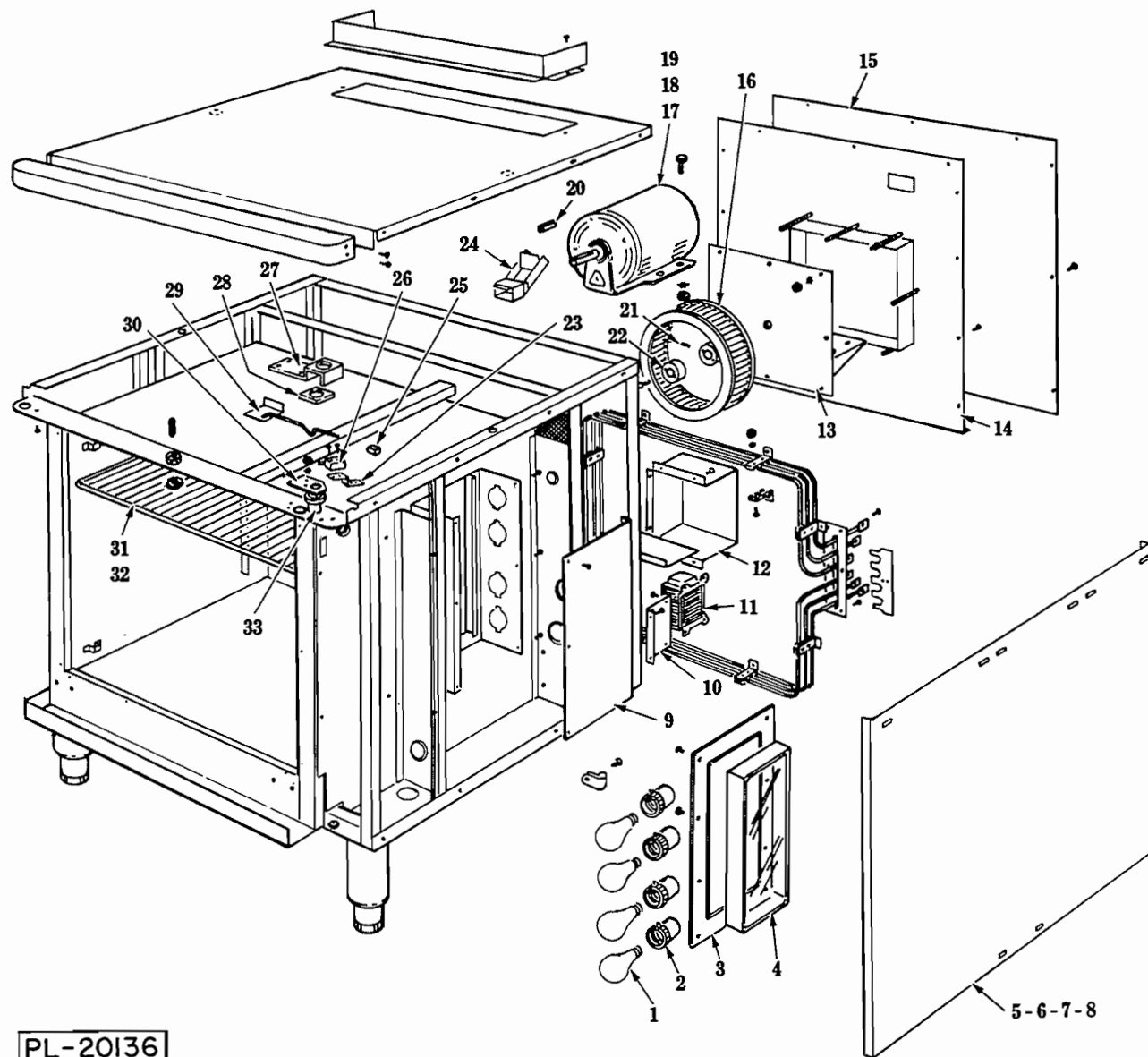


OVEN UNIT

ILLUS. PL-20135	PART NO.	NAME OF PART <sup>15</sup>	AMT.
1	343516-1	Shell - Chimney (PTD.)	1
2	343516-2	Shell - Chimney (SST)	1
3	343508-1	Top - Rear (PTD.) (CN90 & CN95)	1
4	343508-2	Top - Rear (SST) (CN90 & CN95)	1
5	343508-3	Top - Rear (PTD.) (CN91)	1
6	343508-4	Top - Rear (SST) (CN91)	1
7	343501-1	Top - Front	1
8	342201-1	Panel - Outer (L.H.) (PTD.) (CN90 & CN95)	1
9	342201-2	Panel - Outer (L.H.) (SST) (CN90 & CN95)	1

## OVEN UNIT (Cont.)

ILLUS. PL-20135	PART NO.	NAME OF PART <sup>15</sup>	AMT.
10	342201-3	Panel - Outer (L.H.) (PTD.) (CN91)	1
11	342201-4	Panel - Outer (L.H.) (SST) (CN91)	1
12	339337-1	Stud - Locating	2
13	347545-1	Door Catch Assy	1
14	353484-1	Retainer	1
15	353482-1	Spacer	1
16	353483-1	Plate - Upper Door Bearing	2
17	347080-2	Bushing	1
18	342597-1	Panel - Top (Teflon) (CN90 & CN95)	1
19	342597-2	Panel - Top (SST) (CN90 & CN95)	1
20	342597-3	Panel - Top (Teflon) (CN91)	1
21	342597-4	Panel - Top (SST) (CN91)	1
22	342595-1	Panel - L.H. (Teflon) (CN90 & CN95)	1
23	342595-2	Panel - L.H. (SST) (CN90 & CN95)	1
24	342595-3	Panel - L.H. (Teflon) (CN91)	1
25	342595-4	Panel - L.H. (SST) (CN91)	1
26	SD-34-21	Self-Tapping Screw 10 x 1/2 Slot. Hex Washer Hd., Type AB	5
27	354201-1	Panel - R.H. (Teflon) (CN90 & CN95)	1
28	354201-2	Panel - R.H. (SST) (CN90 & CN95)	1
29	354201-3	Panel - R.H. (Teflon) (CN91)	1
30	354201-4	Panel - R.H. (SST) (CN91)	1
31	342598-1	Panel - Bottom (Teflon) (CN90 & CN95)	1
32	342598-2	Panel - Bottom (SST) (CN90 & CN95)	1
33	342598-3	Panel - Bottom (Teflon) (CN91)	1
34	342598-4	Panel - Bottom (SST) (CN91)	1
35	343530-1	Lever - Door Switch	1
36	342141-1	Rack - Support (L.H.) (CN90 & CN95)	1
37	342141-2	Rack - Support (R.H.) (CN90 & CN95)	1
38	342141-3	Rack - Support (L.H.) (CN91)	1
39	342141-4	Rack - Support (R.H.) (CN91)	1
40	342155-1	Gasket - Door (L/R) (20")	2
41	342601-2	Blower Baffle (Aluminum Steel)	1
42	342601-3	Panel - Blower Baffle (Teflon)	1
43	346833-1	Panel - Blower Baffle (SST)	1
44	342129-1	Window Assy	2
45	347546-1	Strike - Door	1
46	347577-1	Shim	1
47	SC-114-17	Mach. Screw 10-32 x 3/4 Phil. Pan Hd	1
48	340445-2	Leg - Adjustable (6")	AR
49	342150-5	Leg - Adjustable (8")	AR
50	342150-4	Leg - Adjustable (25 3/4")	AR
51	341655-6	Caster - 6" "Swivel"	AR
52	341655-7	Caster - 6" "Rigid"	AR
53	342125-1	Door - Front (L.H.) (SST) (W/Window)	1
54	342125-2	Door - Front (R.H.) (SST) (W/Window)	1
55	345904-1	Door - Front (L.H./R.H.) (SST) (Solid)	2
56	SD-34-62	Self-Tapping Screw 10 x 1/2 Slot. Hex Washer Hd., Type T	8
57	343515-1	Front Cover - Door Sill	1
58	342124-1	Door - Inner (L.H.) (SST) (W/Window)	1
59	342124-2	Door - Inner (R.H.) (SST) (W/Window)	1
60	345906-1	Door - Inner (L.H./R.H.) (SST) (Solid)	2
61	343608-2	Door Chain Assy. (SST)	2
62	342166-1	Sprocket - Door Shaft (Incls. item 60)	2
63	347080-2	Bearing - Door Shaft	2
64	PS-4-11	Spirol Pin 3/16 x 1 1/4 (Sprocket)	2
65	343143-1	Washer	4
66	342137-1	Door Sill Assy	1
67	342155-2	Gasket - Door 29"	2
68	342132-4	Guard - Thermostat Bulb	1
69	354319-1	Probe Assy	1
70	342154-2	Plug - Thermostat	1
71	347063-1	Door Handle (Solid)	1
72	347608-1	Door Handle (W/Window)	1
73	SC-114-29	Mach. Screw 1/4-20 x 3/8 Phil. Pan Hd	2
74	347711-1	Grip - Door Handle	1
75	WS-29-45	Washer	2
76	SC-114-10	Mach. Screw 8-32 x 1/4 Phil. Pan Hd	2
77	342235-1	L.H. Door Assy. (SST) (W/Window) (Incls. items 44, 53 & 58)	1
78	342235-2	R.H. Door Assy. (SST) (W/Window) (Incls. items 44, 54 & 59)	1
79	346822-1	L.H./R.H. Door Assy. (SST) (Solid) (Incls. items 55 & 60)	1



PL-20136

OVEN UNIT

## OVEN UNIT

ILLUS. PL-20136	PART NO.	NAME OF PART <sup>15</sup>	AMT.
1	342766-1	Light Bulb - Oven (40 Watts) .....	4
2	340263-1	Socket - Oven Light .....	4
3	343611-2	Trim - Window .....	1
4	342129-2	Window - Oven Light .....	1
5	342200-1	Panel - Outer (R.H.) (PTD.) (CN90 & CN95) .....	1
6	342200-2	Panel - Outer (R.H.) (SST) (CN90 & CN95) .....	1
7	354547-3	Panel - Outer (R.H.) (PTD.) (CN91) .....	1
8	354547-4	Panel - Outer (R.H.) (SST) (CN91) .....	1
9	343517-1	Cover - Light Chamber .....	1
10	342326-1	Plate - Transformer Mounting (480 V.) .....	1
11	347365-13	Transformer (480 V.) .....	1
12	345525-1	Partition Unit .....	1
13	343514-1	Motor Mount .....	1
14	342196-1	Back - Inner Panel .....	1
15	342199-1	Panel - Back (PTD.) .....	1
16	342205-1	Blower .....	1
17	345201-1	Motor $\frac{3}{4}$ H.P. (1 Speed) .....	1
18	342146-3	Motor $\frac{1}{2}$ H.P. (2 Speed) .....	1
19	346217-1	Washer - Motor Mounting .....	8
20	343529-2	Key - Blower ( $1\frac{3}{8}$ " Lg.) .....	1
21	SC-113-53	Set Screw $\frac{5}{16}$ -24 x $\frac{3}{8}$ Soc. Hdls .....	2
22	342206-1	Hub - Blower .....	1
23	343509-1	Bracket - Door Switch .....	1
24	343599-1	Vent - Extension - Short .....	1
25	341564-3	Knob - Vent .....	1
26	342147-1	Switch - Door .....	1
27	353484-1	Plate - Retainer .....	1
28	353482-1	Spacer .....	1
29	343499-1	Slide & Rod (Vent) .....	1
30	353483-1	Plate - Upper Door Bearing .....	1
31	342142-1	Rack Assy. (CN90 & CN95) .....	1
32	342142-2	Rack Assy. (CN91) .....	1
33	347080-2	Bushing .....	2