



CATALOG OF REPLACEMENT PARTS



MODEL PW36A & AW-SERIES PREWASH UNIT

CPW80A

ML-104058 R-L
ML-104061 L-R

CPW80A W

ML-104090 R-L
ML-104091 L-R

CPW90A

ML-104205 R-L
ML-104204 L-R

CPW100A

ML-103912 R-L
ML-103913 L-R

CPW124A

ML-110048 R-L
ML-110047 L-R

PRIOR MLs COVERED

CPW80A

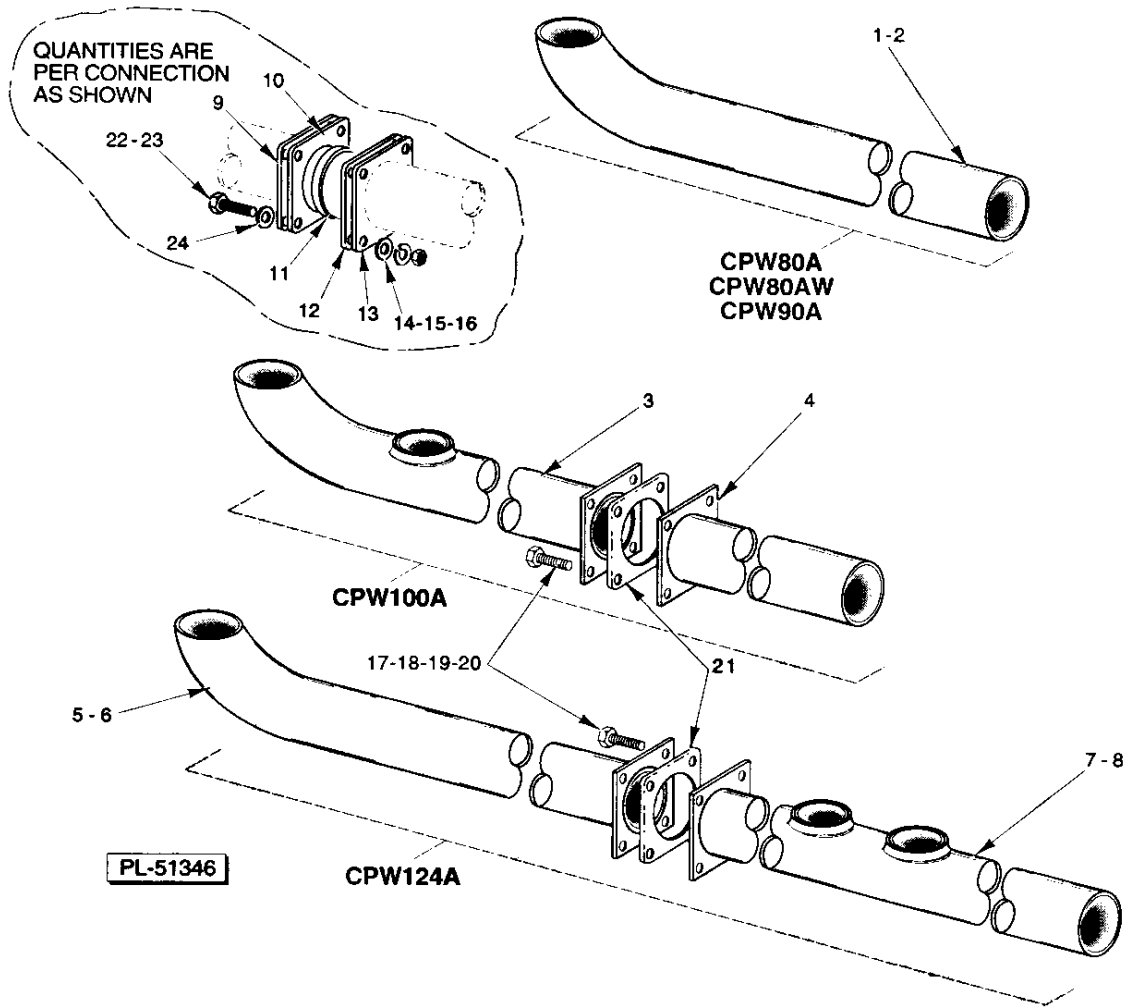
ML-38955 R-L
ML-38956 L-R

CPW80A W

ML-103964 R-L
ML-103967 L-R

Table of Contents

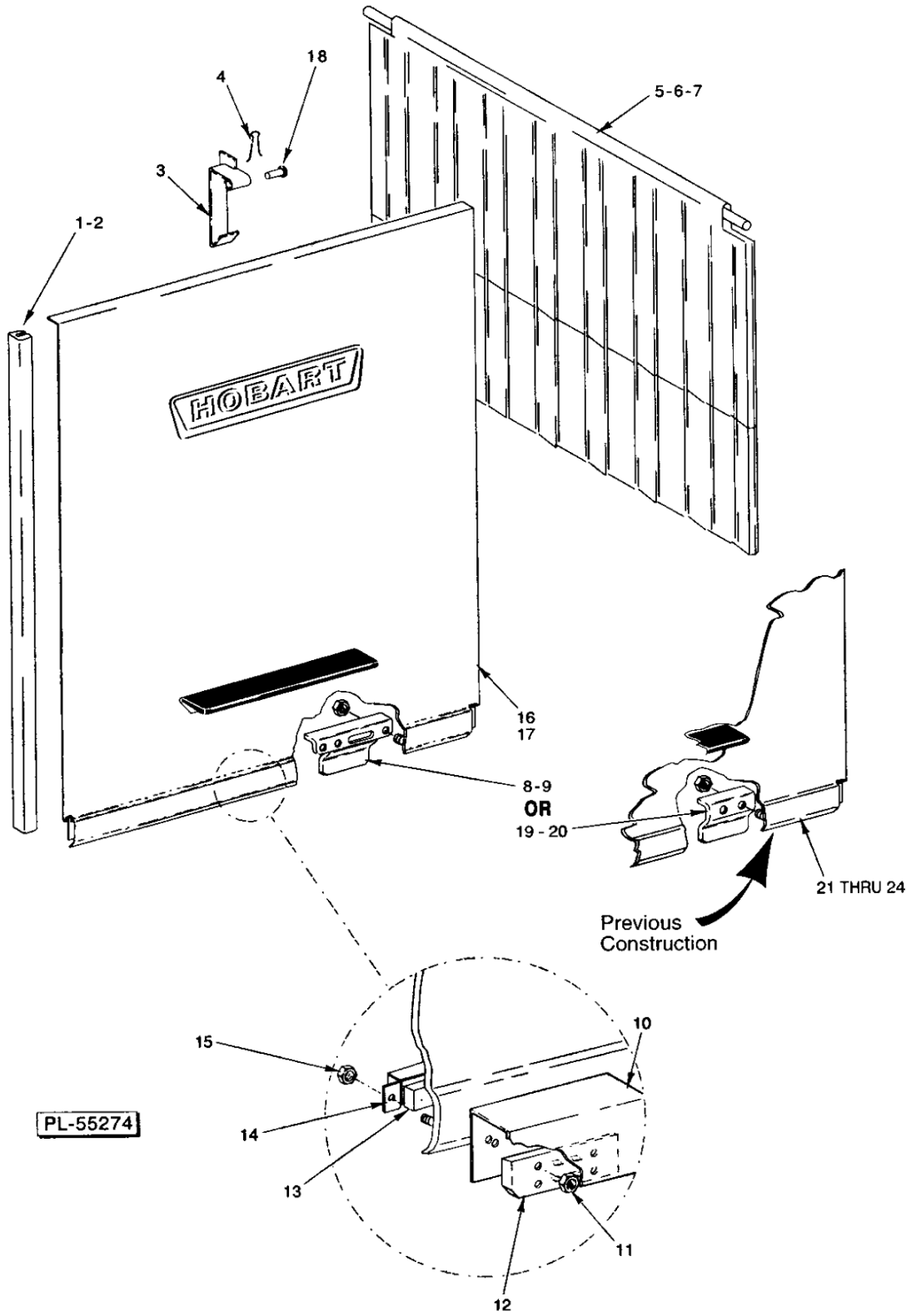
5	FLOW BACK TUBE
7	DOOR AND CURTAIN
9	PREWASH MOTOR AND PUMP
11	PREWASH CHAMBER AND TANK
13	PREWASH ARMS AND TUBES
17	DRAIN
19	WATER LEVEL FLOATS
21	TRACK AND CRADLE
23	ACTUATOR MECHANISM
25	PREWASH TEMPERATURE CONTROL - PIPING
27	PREWASH TEMPERATURE CONTROL - ELECTRICAL
29	BUCKET AND STRAINER PANS
31	MISCELLANEOUS



FLOW BACK TUBE

FLOW BACK TUBE

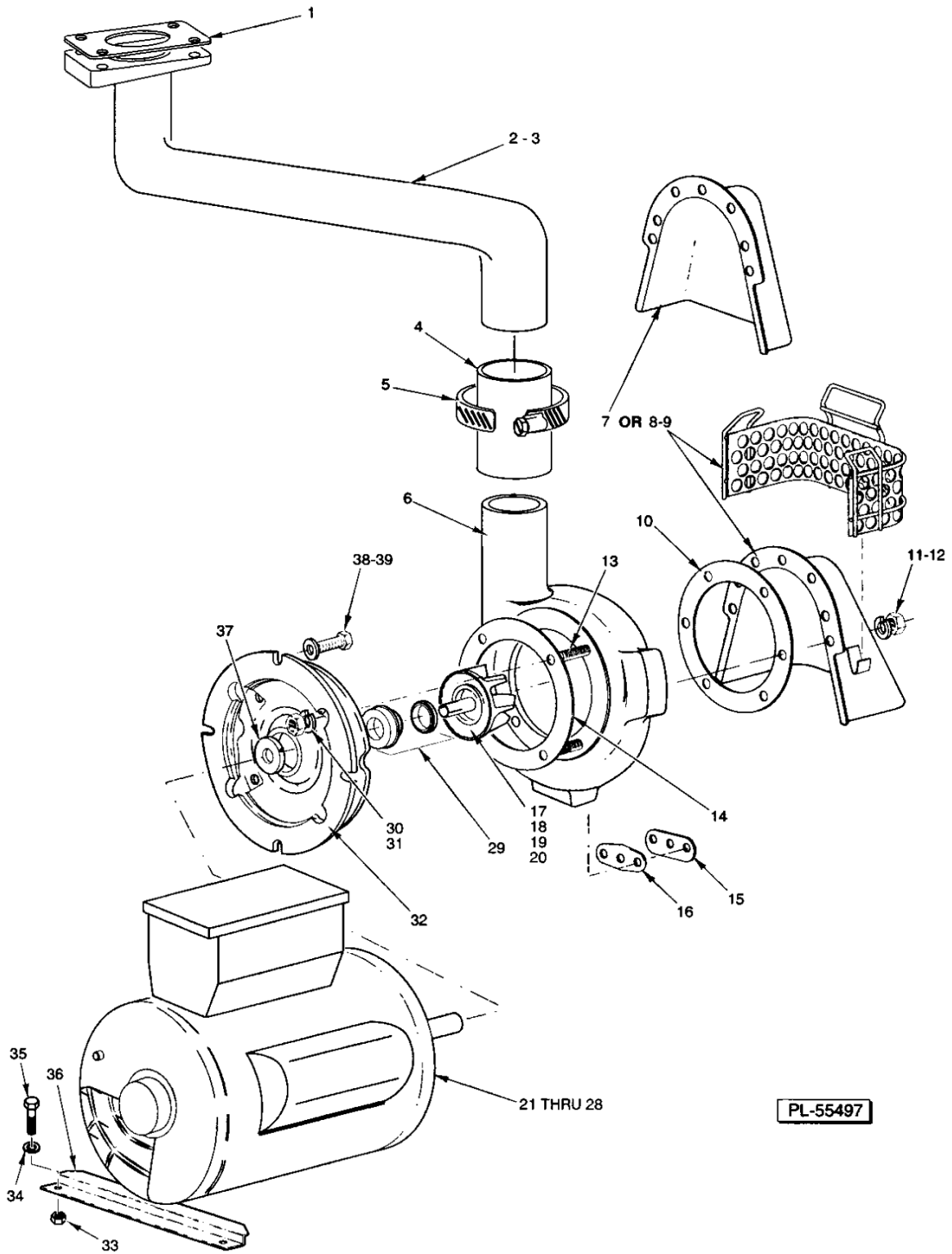
ILLUS.	PART NO.	NAME OF PART	AMT.
PL-51346			
1	00-274113-3	Flow Back Tube (R-L) (CPW80A/AW & CPW90A).....	1
2	00-274113-4	Flow Back Tube (L-R) (CPW80A/AW & CPW90A).....	1
3	00-436708	Flow Back Tube - Inside (CPW100A).....	1
4	00-436710-2	Flow Back Tube - Outside (CPW100A).....	1
5	00-329664	Flow Back Tube - Outside (R-L) (CPW124A).....	1
6	00-289502	Flow Back Tube - Outside (L-R) (CPW124A).....	1
7	00-329658-1	Flow Back Tube - Inside (R-L) (CPW124A).....	1
8	00-329659-1	Flow Back Tube - Inside (L-R) (CPW124A).....	1
9	00-120115	Retainer - Seal.....	1
10	00-120603	Gasket - Seal Retainer.....	1
11	00-077621-00002	Ring - Sealing.....	1
12	00-120603	Gasket - Seal Retainer.....	1
13	00-120115	Retainer - Seal.....	1
14	WS-017-08	Washer (0.328 x 0.625 x 0.062) (SST).....	4
15	WL-006-23	Lockwasher 5/16 Helical (SST).....	4
16	NS-015-11	Nut 5/16-18 Hex (SST).....	4
17	SC-041-15	Cap Screw 5/16-18 x 1 1/4 Hex Hd.....	4
18	WS-017-08	Washer (0.328 x 0.625 x 0.062) (SST).....	8
19	WL-006-23	Lockwasher 5/16 Helical (SST).....	4
20	NS-015-11	Nut 5/16-18 Hex (SST).....	4
21	00-120603	Gasket - Seal Retainer.....	2
22	SC-041-15	Cap Screw 5/16-18 x 1 1/4 Hex Hd.....	4
23	00-545595	Sealer (1/8 Rd).....	AR
24	WS-017-08	Washer (0.328 x 0.625 x 0.062) (SST).....	4



DOOR AND CURTAIN

DOOR AND CURTAIN

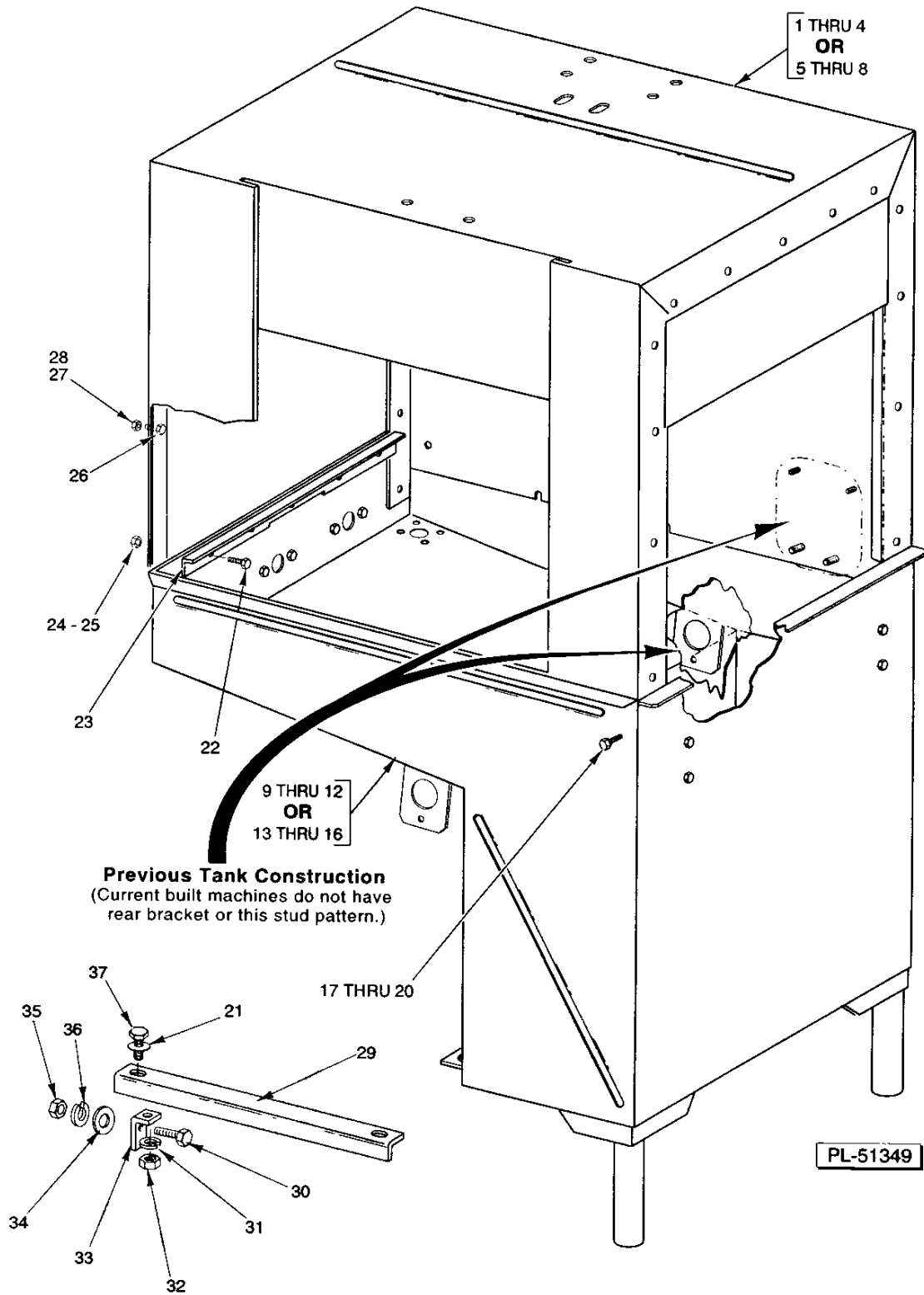
ILLUS. PL-55274	PART NO.	NAME OF PART	AMT.
1	00-112378-49	Door Slide (26 1/8 Door Height).....	2
2	00-112378-50	Door Slide (32 1/8 Door Height).....	2
3	00-185864	Catch - Door.....	1
4	PC-005-02	Cotter Pin 1/16 x 1/2 (SST).....	1
5	00-271084	Splash Curtain (26-1/8 Door Height).....	1
6	00-271084-2	Splash Curtain (32 1/8 Door Height).....	1
7	00-120266-1	Curtain Rod.....	1
8	00-328065	Actuator - Lift Drain.....	1
9	NS-031-21	Stop Nut 1/4-20 Hex (SST).....	AR
10	00-270996	Insulator - Switch.....	1
11	NS-031-50	Stop Nut 6-32 Hex (SST).....	2
12	00-892896	Kit - Service Reed Switch.....	1
13	00-290160	Magnet.....	1
14	00-290159	Retainer - Magnet.....	1
15	NS-031-50	Stop Nut 6-32 Hex (SST).....	2
16	00-328064-7	Door (26 1/8) (R-L & L-R).....	1
17	00-328079-7	Door (32 1/8) (R-L & L-R).....	1
18	00-012114	Pin.....	1
19	00-274767	Actuator - Lift Drain.....	1
20	NS-031-21	Stop Nut 1/4-20 Hex (SST).....	2
21		Door (26 1/8)(L-R)(NLA. Order #19 or 20 	 to convert to present style).....	AR
22		Door (26 1/8)(R-L)(NLA. Order #19 or 20 	 to convert to present style).....	1
23		Door (32 1/8)(L-R)(NLA. Order #19 or 20 	 to convert to present style).....	AR
24		Door (32 1/8)(R-L)(NLA. Order #19 or 20 	 to convert to present style).....	1



PREWASH MOTOR AND PUMP

PREWASH MOTOR AND PUMP

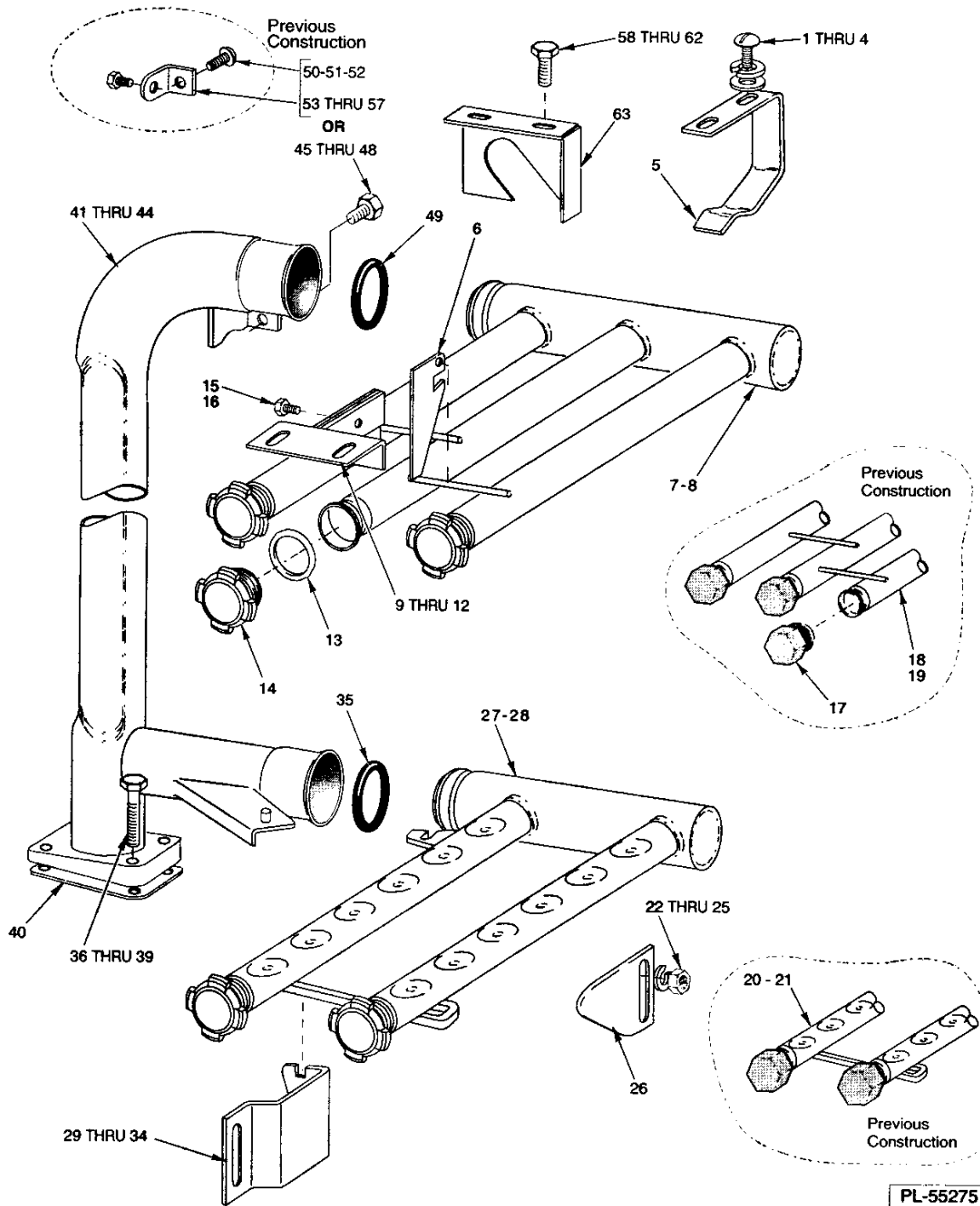
ILLUS. PL-55497	PART NO.	NAME OF PART	AMT.
1	00-270968	Gasket - Wash Pipe.....	1
2	00-274063	Tube - Discharge (R-L).....	1
3	00-274064	Tube - Discharge (L-R) (Not Shown).....	1
4	00-749586	Hose - Discharge.....	1
5	00-542337	Clamp - Hose.....	2
6	00-274227-1	Pump Shell (Incls Item 7).....	1
7	00-274223	Shroud.....	1
8	00-274246	Shroud.....	1
9	00-328362	Strainer - Pump.....	1
10	00-119050	Gasket - Pump Intake.....	1
11	WL-006-23	Lockwasher 5/16 Helical (SST).....	10
12	NS-015-11	Nut 5/16-18 Hex (SST).....	10
13	00-274227-5	Stud.....	AR
14	00-274227-4	Gasket.....	1
15	00-812776	Support Plate.....	2
16	00-119051	Gasket - Pump Drain Hole.....	2
17	00-274227-8	Impeller & Sleeve (60 Hz) (1 Hp) (1 & 3 Ph).....	1
18	00-274227-11	Impeller & Sleeve (50 Hz) (1 Hp) (1 & 3 Ph).....	1
19	00-274227-9	Impeller & Sleeve (60 Hz) (2 Hp) (1 & 3 Ph).....	1
20	00-274227-7	Impeller & Sleeve (50 Hz) (2 Hp) (1 & 3 Ph).....	1
21	00-274230-5	Motor (1 Ph, 60 Hz) (1 Hp).....	1
22	00-274230-6	Motor (3 Ph, 60 Hz) (1 Hp).....	1
23	00-274230-7	NLA - Obsolete--Motor (1 Ph, 50 Hz) (1 Hp).....	1
24	00-274230-8	Motor (3 Ph, 50 Hz) (1 Hp).....	1
25	00-274230-1	Motor (1 Ph, 60 Hz) (2 Hp).....	1
26	00-274230-2	Motor (3 Ph, 60 Hz) (2 Hp).....	1
27	00-274230-3	Motor (1 Ph, 50 Hz) (2 Hp).....	1
28	00-274230-4	Motor (3 Ph, 50 Hz) (2 Hp).....	1
29	00-274227-6	Seal - Shaft.....	1
30	WL-006-22	Lockwasher 5/16 Light.....	4
31	NS-015-11	Nut 5/16-18 Hex (SST).....	4
32	00-274227-3	Adapter.....	1
33	NS-015-01	Nut 1/4-20 Hex (SST).....	2
34	WL-006-17	Lockwasher 1/4 Helical (SST).....	2
35	SC-041-05	Cap Screw 1/4-20 x 5/8 Hex Hd (SST).....	2
36	00-475216	Bracket - Motor Support.....	1
37	00-274227-2	Clamp.....	1
38	SC-041-29	Cap Screw 3/8-16 x 7/8 Hex Hd, (Wax-Coated Threads) (SST).....	4
39	WS-006-44	Washer.....	4



PREWASH CHAMBER AND TANK

PREWASH CHAMBER AND TANK

ILLUS.	PART NO.	NAME OF PART	AMT.
PL-51349			
1	00-435779	Chamber Assy W/Studs (26 1/8 Door Height) (R-L).....	1
2	00-435781	Chamber Assy W/Studs (26 1/8 Door Height) (L-R).....	1
3	00-435780	Chamber Assy W/Studs (32 1/8 Door Height) (R-L).....	1
4	00-435782	Chamber Assy W/Studs (32 1/8 Door Height) (L-R).....	1
5	00-274214-1	Chamber Assy (26 1/8 Door Height) (R-L).....	1
6	00-274213-1	Chamber Assy (26 1/8 Door Height) (L-R).....	1
7	00-274704-1	Chamber Assy (32 1/8 Door Height) (R-L).....	1
8	00-274703-1	Chamber Assy (32 1/8 Door Height) (L-R).....	1
9	00-274082	Tank Assy W/Rear Bracket (R-L).....	1
10	00-274089	Tank Assy W/Rear Bracket (L-R) (Not Shown).....	1
11	00-274082-2	NLA - Obsolete--Tank Assy (R-L) (With Side Loader).....	1
12	00-274089-2	Tank Assy (L-R) (With Side Loader).....	1
13	00-329932-1	Tank Assy (R-L).....	1
14	00-329930-1	Tank Assy (L-R).....	1
15	00-329932-2	Tank Assy (R-L) (W/Side Loader).....	1
16	00-329930-2	Tank Assy (L-R) (W/Side Loader).....	1
17	SC-041-11	Cap Screw 5/16-18 x 3/4 Hex Hd (SST).....	4
18	WL-006-23	Lockwasher 5/16 Helical (SST).....	6
19	NS-015-11	Nut 5/16-18 Hex (SST).....	6
20	WS-017-01	Washer 0.328 x 0.875 x 0.062 (SST).....	6
21	WS-017-01	Washer 0.328 x 0.875 x 0.062 (SST).....	4
22	SC-041-05	Cap Screw 1/4-20 x 5/8 Hex Hd (SST).....	5
23	00-274103	Support - Tank.....	1
24	WL-006-17	Lockwasher 1/4 Helical (SST).....	5
25	NS-015-01	Nut 1/4-20 Hex (SST).....	5
26	SC-041-05	Cap Screw 1/4-20 x 5/8 Hex Hd (SST).....	15
27	NS-015-01	Nut 1/4-20 Hex (SST).....	15
28	WL-006-17	Lockwasher 1/4 Helical (SST).....	15
29	00-274092-2	Strut - Tank-to-Tank.....	2
30	SC-041-11	Cap Screw 5/16-18 x 3/4 Hex Hd (SST).....	2
31	WL-006-23	Lockwasher 5/16 Helical (SST).....	4
32	NS-015-11	Nut 5/16-18 Hex (SST).....	4
33	00-274091	Bracket - Strut Support.....	2
34	WS-017-08	Washer (0.328 x 0.625 x 0.062) (SST).....	2
35	NS-015-11	Nut 5/16-18 Hex (SST).....	2
36	WL-006-23	Lockwasher 5/16 Helical (SST).....	2
37	SC-41-11	Cap Screw 5/16-18 x 3/4 Hex Hd (SST).....	4



PREWASH ARMS AND TUBES

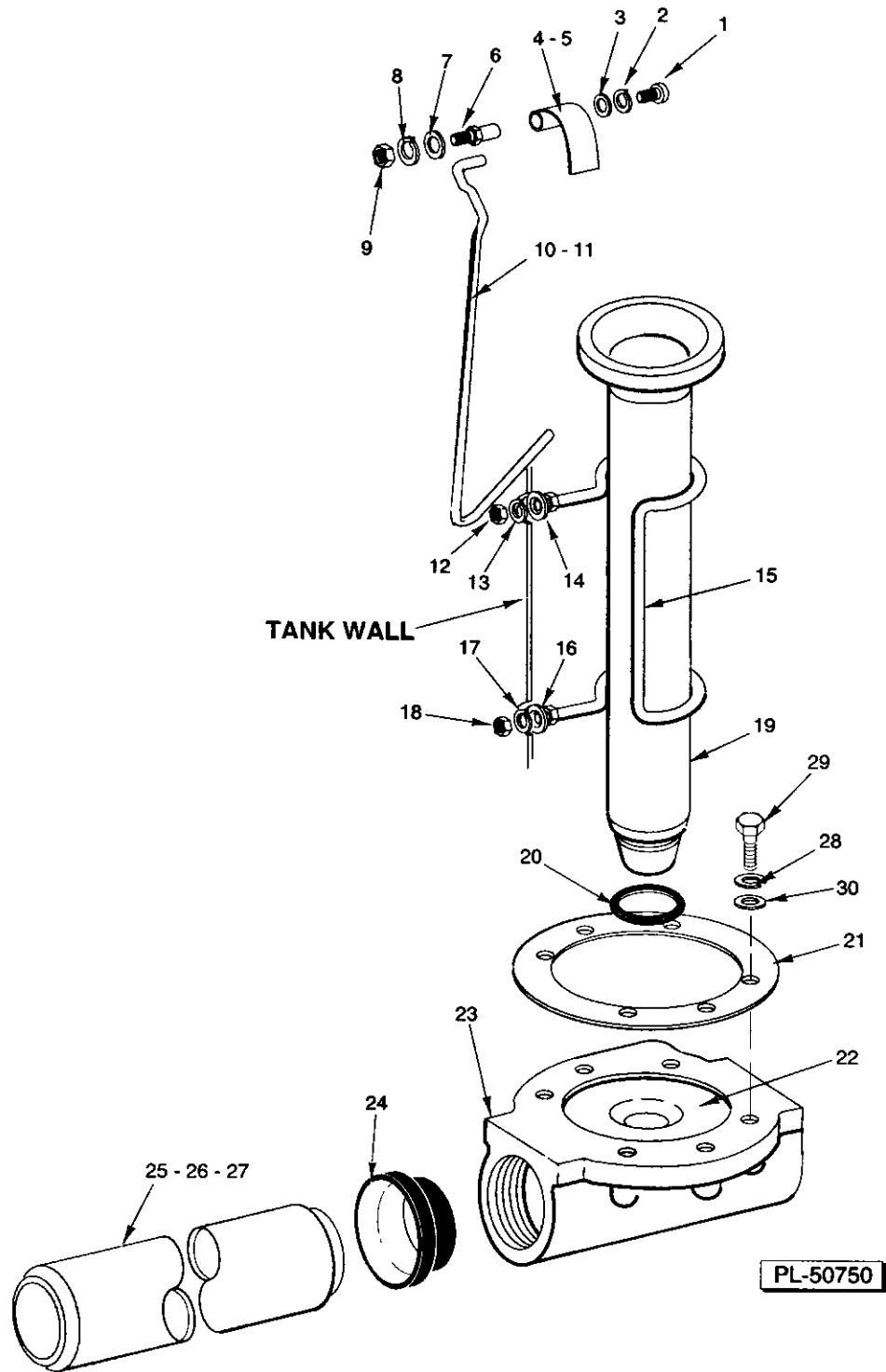
PREWASH ARMS AND TUBES

ILLUS. PL-55275	PART NO.	NAME OF PART	AMT.
1	SC-125-85	Mach Screw 1/4-20 x 5/8 Truss Hd (SST).....	4
2	WS-022-01	Washer.....	8
3	WL-006-17	Lockwasher 1/4 Helical (SST).....	4
4	NS-015-01	Nut 1/4-20 Hex (SST).....	4
5	00-271026	Hanger - Upper Wash Arm.....	2
6	00-289760	Latch.....	1
7	00-749417	Wash Arm - Upper (R-L).....	1
8	00-749419	Wash Arm - Upper (L-R).....	1
9	00-271031	Bracket.....	1
10	WS-017-08	Washer (0.328 x 0.625 x 0.062) (SST).....	2
11	WL-006-23	Lockwasher 5/16 Helical (SST).....	2
12	NS-015-11	Nut 5/16-18 Hex (SST).....	2
13	00-67500-127	"O" Ring.....	5
14	00-475589	Plug - Wash Arm.....	5
15	SC-041-01	Cap Screw 1/4-20 x 3/4 Hex Hd (SST).....	2
16	NS-031-19	Stop Nut 1/4-20 "Elastic" (SST).....	2
17	00-475087	Plug - Wash Arm.....	5
18	00-436946	Wash Arm - Upper (R-L) Obsolete P/N. Use #7, 8, 27, or 28 w/ #13 & 14.....	1
19	00-436945	NLA - Obsolete--Wash Arm - Upper (RH) (Shown).....	1
20	00-274248	NLA - Obsolete--Wash Arm - Lower (R-L).....	1
21	00-274251	Wash Arm - Lower (L-R) Obsolete P/N. Use #7, 8, 27, or 28 w/ #13 & 14.....	1
22	NS-015-11	Nut 5/16-18 Hex (SST).....	2
23	WL-006-23	Lockwasher 5/16 Helical (SST).....	2
24	WS-017-08	Washer (0.328 x 0.625 x 0.062) (SST).....	2
25	SC-041-13	Cap Screw 5/16-18 x 1 Hex Hd (SST).....	2
26	00-274222	Support - Adjustable.....	1
27	00-749422	Wash Arm - Lower (R-L).....	1
28	00-749429	Wash Arm - Lower (L-R).....	1
29	00-274108-2	Catch - Adjustable (R-L).....	1
30	00-274108-1	Catch - Adjustable (L-R).....	1
31	NS-015-11	Nut 5/16-18 Hex (SST).....	2
32	WL-006-23	Lockwasher 5/16 Helical (SST).....	2
33	WS-017-08	Washer (0.328 x 0.625 x 0.062) (SST).....	2
34	SC-041-11	Cap Screw 5/16-18 x 3/4 Hex Hd (SST).....	2
35	00-67500-110	"O" Ring.....	1
36	SC-041-18	Cap Screw 5/16-18 x 1 3/4 Hex Hd (SST).....	4
37	WS-017-08	Washer (0.328 x 0.625 x 0.062) (SST).....	8
38	WL-006-23	Lockwasher 5/16 Helical (SST).....	4
39	NS-015-11	Nut 5/16-18 Hex (SST).....	4
40	00-270968	Gasket - Wash Pipe.....	1
41	00-274061	Wash Pipe (R-L, With Lower Wash Arm) (26 1/8 Ht).....	1
42	00-274062	Wash Pipe (L-R, With Lower Wash Arm) (26 1/8 Ht).....	1
43	00-274576	Wash Pipe (R-L, With Lower Wash Arm) (32 1/8 Ht).....	1
44	00-274731	Wash Pipe (L-R, With Lower Wash Arm) (32 1/8 Ht).....	1
45	SC-041-01	Cap Screw 1/4-20 x 3/4 Hex Hd (SST).....	1
46	WS-022-01	Washer.....	2
47	WL-006-17	Lockwasher 1/4 Helical (SST).....	1
48	NS-015-01	Nut 1/4-20 Hex (SST).....	1
49	00-67500-110	"O" Ring.....	1
50	SC-053-42	Mach. Screw 1/4-20 x 5/8 Slotted Truss Hd. (SST).....	1
51	WL-006-17	Lockwasher 1/4 Helical (SST).....	1
52	NS-015-01	Nut 1/4-20 Hex (SST).....	1
53	00-185732	Bracket.....	1
54	SC-041-05	Cap Screw 1/4-20 x 5/8 Hex Hd (SST).....	1
55	WS-022-01	Washer.....	1

PREWASH ARMS AND TUBES

ILLUS.	PART NO.	NAME OF PART	AMT.
	PL-55275		
56	WL-006-17	Lockwasher 1/4 Helical (SST).....	1
57	NS-015-01	Nut 1/4-20 Hex (SST).....	1
58	SC-041-11	Cap Screw 5/16-18 x 3/4 Hex Hd (SST).....	2
59	WS-017-01	Washer 0.328 x 0.875 x 0.062 (SST).....	2
60	WS-017-08	Washer (0.328 x 0.625 x 0.062) (SST).....	2
61	WL-006-23	Lockwasher 5/16 Helical (SST).....	2
62	NS-015-11	Nut 5/16-18 Hex (SST).....	2
63	00-271029	Guide - Upper Wash Arm.....	1

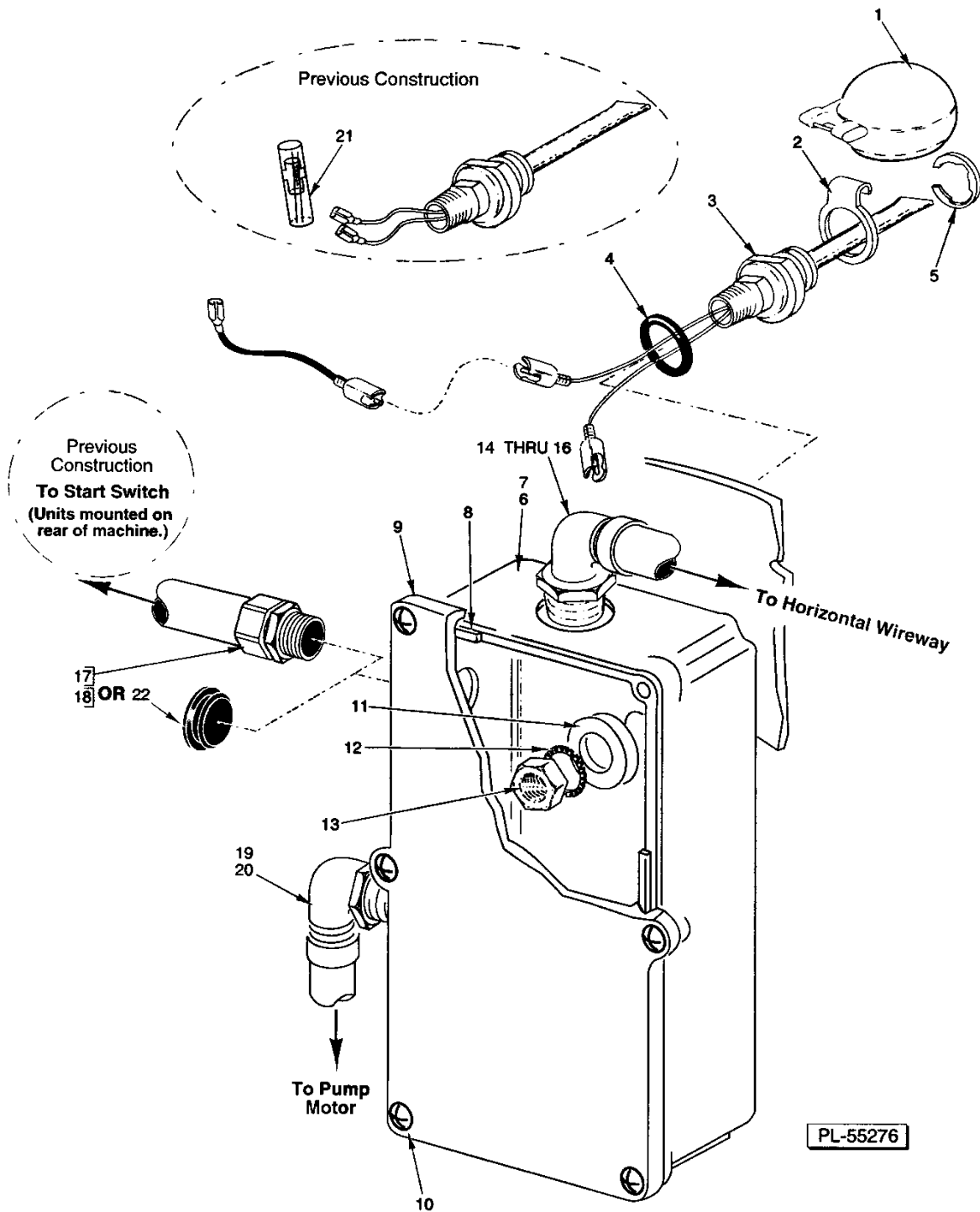
NOTES



DRAIN

DRAIN

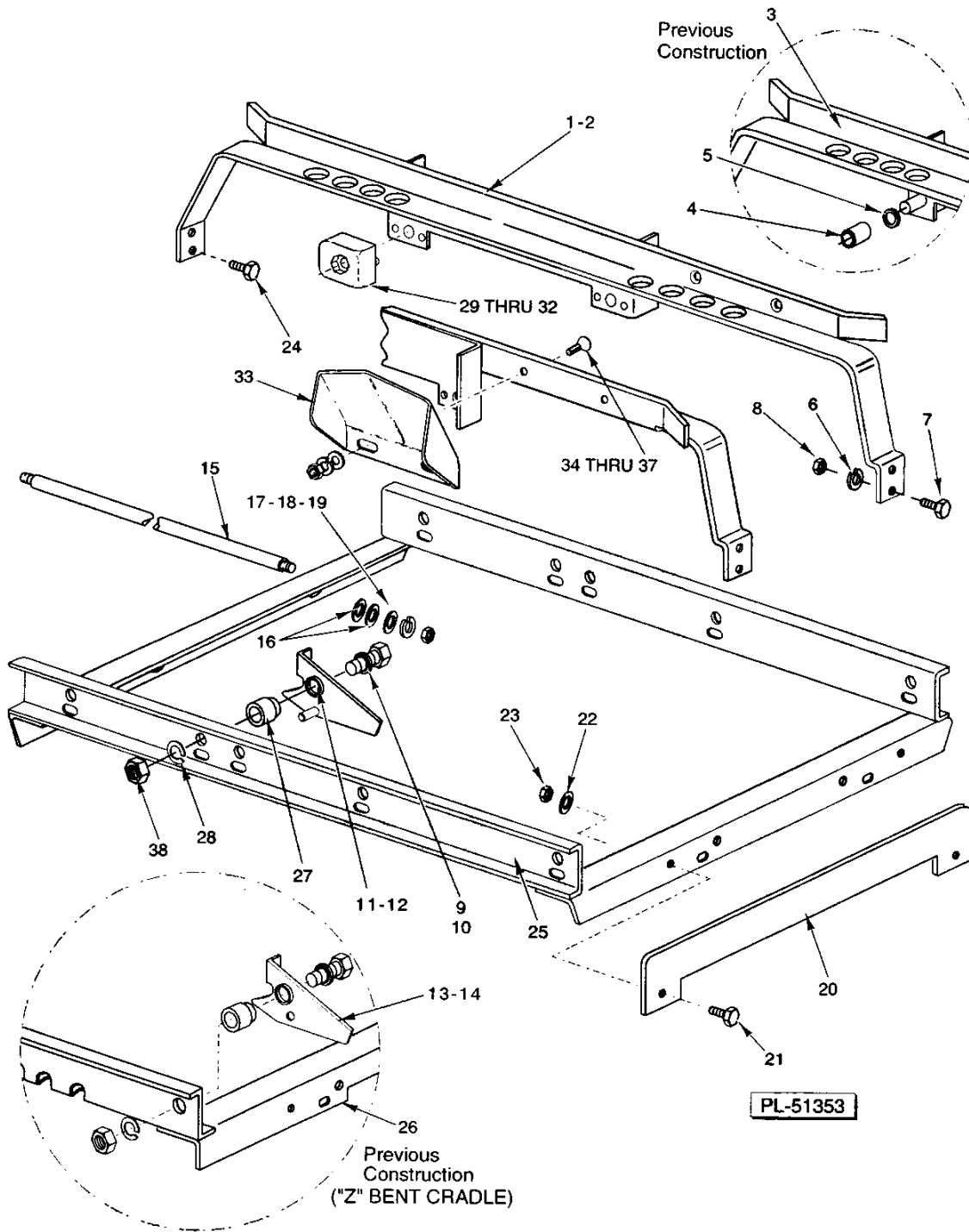
ILLUS.	PART NO.	NAME OF PART	AMT.
PL-50750			
1	SC-114-15	Mach Screw 10-24 x 3/8 Rd Hd (SST).....	1
2	WL-006-07	Lockwasher #10 Helical (SST).....	1
3	WS-019-06	Washer.....	1
4	00-274096	Drain Lever (R-L).....	1
5	00-271070	Drain Lever (L-R).....	1
6	00-119116	Axle - Drain Lever.....	1
7	WS-022-01	Washer.....	1
8	WL-006-17	Lockwasher 1/4 Helical (SST).....	1
9	NS-015-01	Nut 1/4-20 Hex (SST).....	1
10	00-274080	Lift Rod Overflow (R-L).....	1
11	00-274079	Lift Rod Overflow (L-R).....	1
12	NS-015-11	Nut 5/16-18 Hex (SST).....	2
13	WL-006-23	Lockwasher 5/16 Helical (SST).....	1
14	WS-017-01	Washer 0.328 x 0.875 x 0.062 (SST).....	2
15	00-240952	Retainer 00-270952.....	1
16	WS-017-01	Washer 0.328 x 0.875 x 0.062 (SST).....	2
17	WL-006-23	Lockwasher 5/16 Helical (SST).....	1
18	NS-015-11	Nut 5/16-18 Hex (SST).....	2
19	00-119099-2	Tube - Overflow.....	1
20	00-67500-120	"O" Ring.....	1
21	00-289464	Gasket - Drain.....	1
22	00-270947	Sleeve - Drain Body.....	1
23	00-289465	Drain Body.....	1
25	00-274132-3	Pipe - Drain (R-L) (CPW80A, AW, CPW90A, & CPW124A).....	1
26	00-274132-4	Pipe - Drain (L-R) (CPW80A, AW, CPW90A, & CPW124A).....	1
27	00-274132-7	Pipe - Drain (CPW100A).....	1
28	WL-006-28	Lockwasher 3/8 Helical.....	6
29	SC-041-28	Cap Screw 3/8-16 x 3/4 Hex Hd.....	6
30	WS-006-44	Washer.....	6



WATER LEVEL FLOATS

WATER LEVEL FLOATS

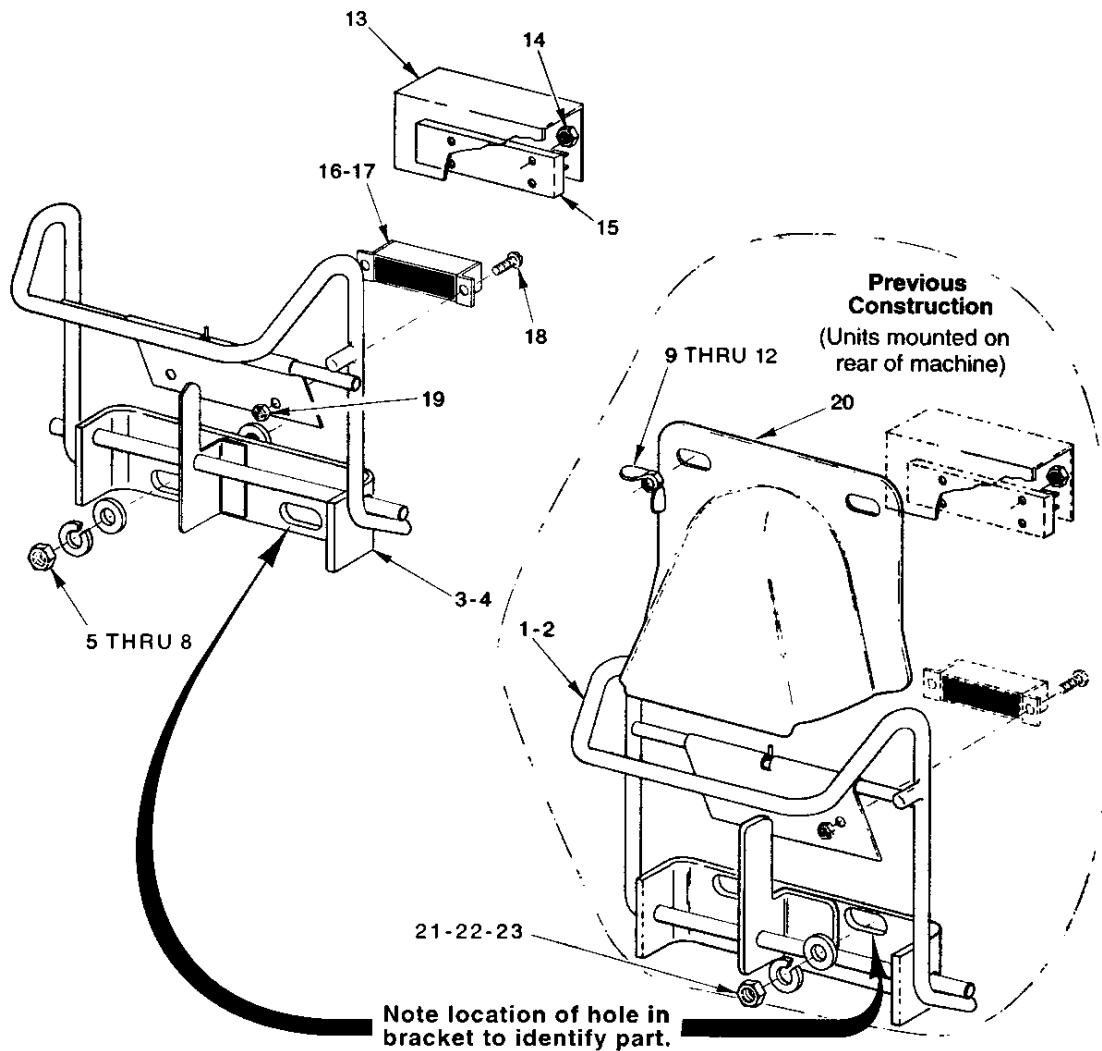
ILLUS.	PART NO.	NAME OF PART	AMT.
PL-55276			
1	00-122674	Float Assy.....	2
2	00-112467	Retainer - Float.....	2
3	00-328495	Switch & Probe Assy(Incls #1, 2, & 5)(Must Order 2 Jumper Wires P/N 328758).....	2
4	00-67500-72	AR
5	RR-010-13	Retaining Ring.....	2
6	00-274224	Box - Probe (R-L).....	1
7	00-274097	Box - Probe (L-R).....	1
8	00-112005	Gasket (Lid).....	1
9	00-289146-1	Lid & Gasket Assy (Incls Item 8).....	1
10	SD-012-20	Self-Tapping Screw 8-32 x 1/2 Phil Truss Hd, Type T.....	6
11	WS-010-40	Washer - Thrust.....	2
12	WL-014-31	Lockwasher 1/2 External Shakeproof (SST).....	2
13	NS-018-28	Jam Nut 1/2-20 Hex (SST).....	2
14	FE-024-58	Connector - Straight (Non-Metallic) "Sealtite" (3/4 Male Thd x 3 /4 Flex Cond).....	1
15	FE-024-66	Connector 90 Deg (Non-Metallic) "Sealtite" (3/4 Male Thd x 3 /4 Flex Cond).....	1
16	FE-008-11	Gasket - Electrical.....	AR
17	FE-024-57	Connector Straight (Non-Metallic) "Sealtite" (1/2 Male Thd x 1 /2 Flex Cond).....	2
18	FE-008-10	1/2 Gasket Assy.....	AR
19	FE-024-61	Connector - 45 Deg (Non-Metallic) "Sealtite" (1/2 Male Thd x 1 /2 Flex Cond).....	2
20	FE-008-10	1/2 Gasket Assy.....	2
21	00-65890-85	Line - Splice (Shown).....	AR
22	PB-004-08	Plug Button Heyco 2703.....	1



TRACK AND CRADLE

TRACK AND CRADLE

ILLUS. PL-51353	PART NO.	NAME OF PART	AMT.
1	00-436868-1	Rack Track (Rear R-L with; Front L-R).....	1
2	00-436867-1	Rack Track (Rear L-R with; Front R-L).....	1
4	00-270977	Roller.....	4
5	WS-018-04	Washer (SST).....	4
6	WL-006-23	Lockwasher 5/16 Helical (SST).....	8
7	SC-041-11	Cap Screw 5/16-18 x 3/4 Hex Hd (SST).....	4
8	NS-015-11	Nut 5/16-18 Hex (SST).....	8
9	SC-041-31	Cap Screw 3/8-16 x 1 1/4 Hex Hd.....	4
10	WS-018-04	Washer (SST).....	4
11	00-436704-1	Dog (Front R-L with; Rear L-R).....	2
12	00-436704-2	Dog (Front L-R with; Rear R-L).....	2
13	00-436703-1	Dog (Front R-L; Rear L-R) (Service For "Z" Bent Cradles Only).....	2
14	00-436703-2	Dog (Front L-R; Rear R-L) (Service For "Z" Bent Cradles Only).....	2
15	00-274559	Screw - Connecting.....	2
16	WS-029-74	Washer.....	4
17	WS-017-01	Washer 0.328 x 0.875 x 0.062 (SST).....	4
18	WL-006-23	Lockwasher 5/16 Helical (SST).....	4
19	NS-015-11	Nut 5/16-18 Hex (SST).....	4
20	00-271012	Baffle - Cradle Upper.....	AR
21	SC-041-10	Cap Screw 5/16-18 x 5/8 Hex Hd.....	AR
22	WL-006-23	Lockwasher 5/16 Helical (SST).....	AR
23	NS-015-11	Nut 5/16-18 Hex (SST).....	AR
24	SC-041-12	Cap Screw 5/16-18 x 7/8 Hex Hd.....	4
25	00-436934	Cradle.....	1
27	00-270983	Spacer.....	4
28	WL-006-28	Lockwasher 3/8 Helical.....	4
29	00-473232	Slider - Small.....	4
30	SC-041-15	Cap Screw 5/16-18 x 1 1/4 Hex Hd.....	4
31	WL-006-23	Lockwasher 5/16 Helical (SST).....	4
32	NS-015-11	Nut 5/16-18 Hex (SST).....	4
33	00-437047	Deflector - Silverware.....	1
34	SC-022-39	Mach. Screw 1/4-20 x 5/8 Slotted Flat Hd. (SST).....	2
35	WS-003-47	Washer (SST).....	2
36	WL-006-17	Lockwasher 1/4 Helical (SST).....	2
37	NS-015-01	Nut 1/4-20 Hex (SST).....	2
38	NS-046-09	Stop Nut 3/8-16 Elastic.....	4

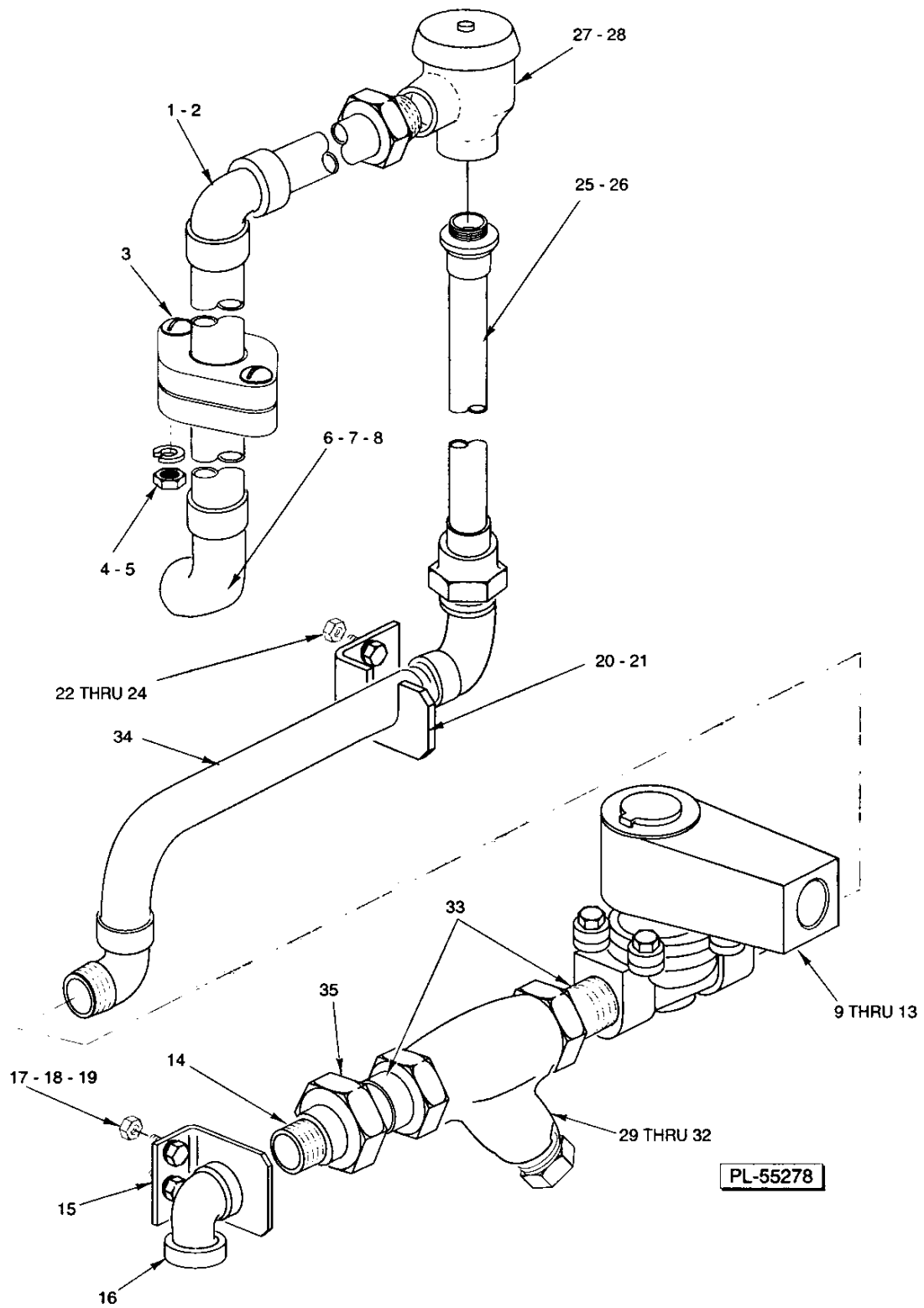


PL-55277

ACTUATOR MECHANISM

ACTUATOR MECHANISM

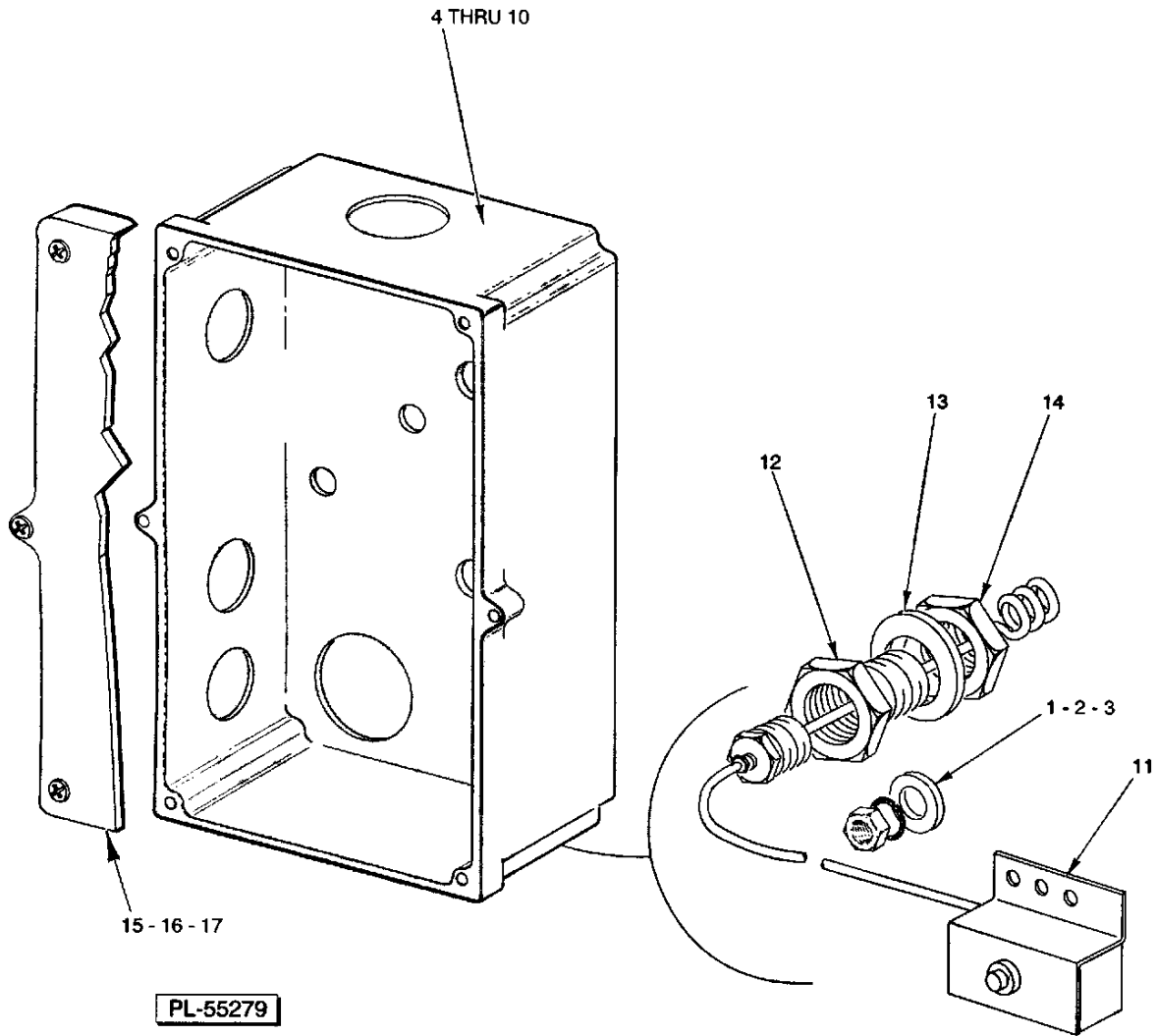
ILLUS. PL-55277	PART NO.	NAME OF PART	AMT.
1	00-435809	Actuator (Rear R-L).....	1
2	00-435808	Actuator (Rear L-R).....	1
3	00-436955	Actuator (Front R-L).....	1
4	00-436027	Actuator (Front L-R).....	1
5	WL-006-23	Lockwasher 5/16 Helical (SST).....	2
6	WS-017-08	Washer (0.328 x 0.625 x 0.062) (SST).....	2
7	WS-029-05	Washer 0.328 x 0.750 x 0.062 (SST).....	2
8	NS-015-11	Nut 5/16-18 Hex (SST).....	2
9	NS-029-01	Wing Nut 1/4-20.....	2
10	WL-006-17	Lockwasher 1/4 Helical (SST).....	2
11	WS-017-06	Washer (SST).....	2
12	SC-053-42	Mach. Screw 1/4-20 x 5/8 Slotted Truss Hd. (SST).....	AR
13	00-270996	Insulator - Switch.....	1
14	NS-031-50	Stop Nut 6-32 Hex (SST).....	2
15	00-892896	Kit - Service Reed Switch.....	1
16	00-290160	Magnet (Dot Toward Switch).....	1
17	00-290159	Retainer - Magnet.....	1
18	SC-127-26	Mach Screw 6-32 x 3/8 Rd Hd (SST).....	2
19	NS-031-50	Stop Nut 6-32 Hex (SST).....	2
20	00-813534	Shroud.....	1
21	WL-006-23	Lockwasher 5/16 Helical (SST).....	2
22	WS-017-08	Washer (0.328 x 0.625 x 0.062) (SST).....	2
23	NS-015-11	Nut 5/16 - 18 Hex.....	2



PREWASH TEMPERATURE CONTROL - PIPING

PREWASH TEMPERATURE CONTROL - PIPING

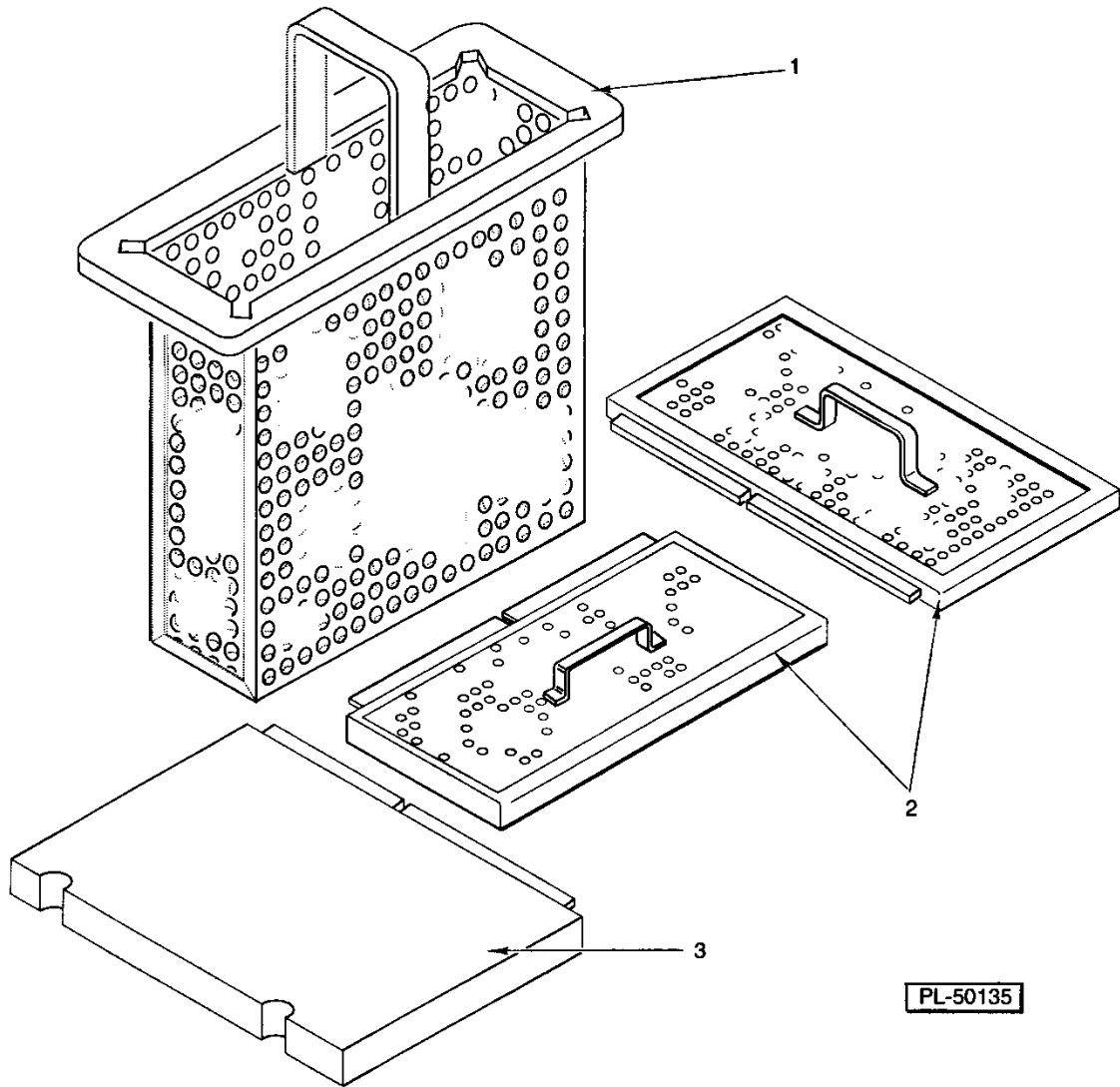
ILLUS.	PART NO.	NAME OF PART	AMT.
PL-55278			
1	00-274486	Piping - Upper Prewash.....	1
2	00-276407	Gasket - Rinse Pipe.....	1
3	SC-128-07	Mach Screw 5/16-18 x 1 1/4 Rd Hd (SST).....	2
4	WL-006-22	Lockwasher 5/16 Light.....	2
5	NS-015-11	Nut 5/16-18 Hex (SST).....	2
6	00-289971-1	Inside Fill Pipe Assy (L-R).....	1
7	00-289971-2	Inside Fill Pipe Assy (R-L).....	1
8	00-67500-13	"O" Ring.....	1
9	00-270329-2	Valve - Solenoid (240V)(CRS66A/AW & CPW80A/AW,w/o Pilot Circuit)(Incls #10 & 13).....	1
10	00-270318-2	Coil - Solenoid Valve (240 V).....	1
11	00-270329-1	Valve - Solenoid (120 V) (Incls Items 12 & 13).....	1
12	00-270318-1	Coil - Solenoid Valve (120 V).....	1
13	00-270336	Service Kit - Solenoid Valve.....	1
14	FP-041-55	Pipe 3/4 x 2 1/8 (Brass).....	1
15	00-435797	Bracket - Piping.....	1
16	FP-015-23	Elbow - Pipe 3/4 x 90 Deg (Brass).....	1
17	SC-041-10	Cap Screw 5/16-18 x 5/8 Hex Hd.....	2
18	WL-006-22	Lockwasher 5/16 Light.....	2
19	NS-015-11	Nut 5/16-18 Hex (SST).....	2
20	00-274481-1	Bracket - Piping (R-L).....	1
21	00-274481-2	Bracket - Piping (L-R).....	1
22	SC-041-10	Cap Screw 5/16-18 x 5/8 Hex Hd.....	2
23	WL-006-22	Lockwasher 5/16 Light.....	2
24	NS-015-11	Nut 5/16-18 Hex (SST).....	2
25	00-292911-3	Piping (43 3/8).....	1
26	00-292911-4	Piping (49 3/8).....	1
27	00-292909-2	Breaker - Vacuum 1/2 (Incls Item 28).....	1
28	00-292910	Vacuum Breaker Float & Seal Assy.....	1
29	00-186922	Strainer - Line 3/4 Brass (Incls Items 30, 31, & 32).....	1
30	00-186923	Plug - Branch.....	1
31	00-186924	Gasket - Branch Plug.....	1
32	00-186925	Screen - Line Strainer.....	1
33	FP-041-50	Pipe 3/4 x 1-3/8 TBE (Brass).....	2
34	00-274485	Piping - Lower.....	1
35	FP-022-18	Union - Pipe 3/4 Straight, Female (Brass).....	1



PREWASH TEMPERATURE CONTROL - ELECTRICAL

PREWASH TEMPERATURE CONTROL - ELECTRICAL

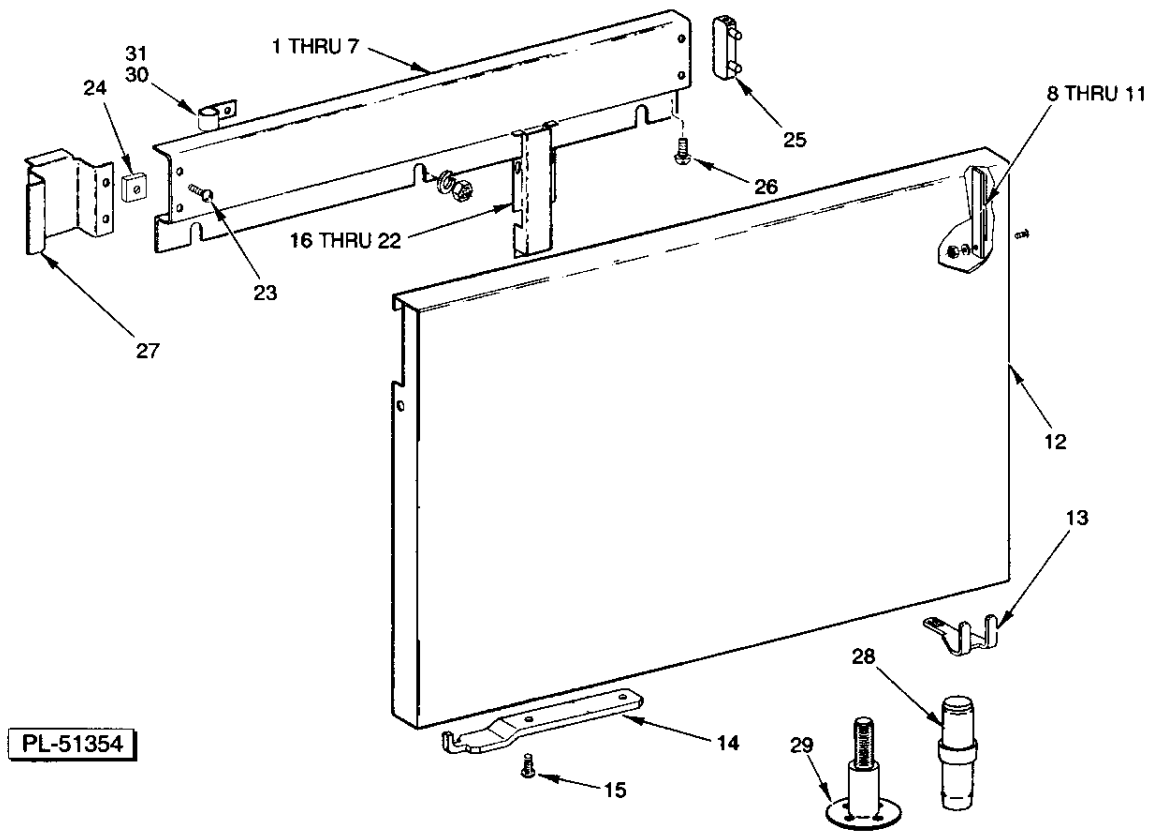
ILLUS.	PART NO.	NAME OF PART	AMT.
PL-55279			
1	NS-011-18	Mach Nut 10-24 Hex (SST).....	2
2	WL-006-07	Lockwasher #10 Helical (SST).....	2
3	WS-019-06	Washer.....	2
4	00-274253	Box - Float & Probe (R-L) (Previous Construction).....	1
5	00-274254	Box - Float & Probe (L-R) (Previous Construction).....	1
6	00-749116	Box - Float & Probe (R-L).....	1
7	00-749115	Box - Float & Probe (L-R).....	1
8	FE-007-03	Connector - 90 Deg "Sealtite" (1/2 Male Thd x 3/8 Flex Cond).....	1
9	FE-007-01	Connector - Straight "Sealtite" (1/2 Male Thd x 3/8 Flex Cond).....	1
10	FE-008-10	1/2 Gasket Assy.....	1
11	00-294681-021-1	Thermostat - Tank Heat.....	1
12	00-79531	Adapter - Tank.....	1
13	WS-012-40	Washer (SST).....	1
14	FP-053-05	Pipe Locknut 1/2 NPSL (SST).....	1
15	00-289146-1	Lid & Gasket Assy (Incls Item 14).....	1
16	00-112005	Gasket (Lid).....	1
17	SD-012-20	Self-Tapping Screw 8-32 x 1/2 Phil Truss Hd, Type T.....	6



BUCKET AND STRAINER PANS

BUCKET AND STRAINER PANS

ILLUS.	PART NO.	NAME OF PART	AMT.
PL-50135			
1	00-271878	Bucket - Strainer.....	1
2	00-271880	Strainer.....	2
3	00-274143	Cover - Overflow.....	1



MISCELLANEOUS

MISCELLANEOUS

ILLUS.	PART NO.	NAME OF PART	AMT.
PL-51354			
*1	00-274059	Wireway - Horizontal (Front R-L).....	1
*2	00-274211	Wireway - Horizontal (Front L-R).....	1
*3	00-274123-1	Wireway - Horizontal (Rear L-R).....	1
*4	00-274123-2	Wireway - Horizontal (Rear R-L).....	1
5	NS-015-01	Nut 1/4-20 Hex (SST).....	AR
6	WS-017-06	Washer (SST).....	AR
7	WL-006-17	Lockwasher 1/4 Helical (SST).....	AR
8	00-436888	Cover - Panel Notch.....	AR
9	WS-019-06	Washer.....	AR
10	NS-031-16	Stop Nut 10-24 Hex (SST).....	AR
11	SC-053-05	Mach Screw 10-24 x 3/8 Truss Hd, Slotted.....	AR
12	00-436832-1	Panel - Front Trim.....	1
13	00-271061	Support.....	1
14	00-289771	Retainer - Panel.....	1
15	SC-053-05	Mach Screw 10-24 x 3/8 Truss Hd, Slotted.....	2
16	00-271055	Wireway - Vertical.....	AR
17	SC-021-22	Mach Screw 10-24 x 3/8 Rd Hd (SST).....	AR
18	WL-006-07	Lockwasher #10 Helical (SST).....	AR
19	WS-017-06	Washer (SST).....	AR
20	WL-006-17	Lockwasher 1/4 Helical (SST).....	AR
21	NS-015-01	Nut 1/4-20 Hex (SST).....	AR
22	WS-019-19	Washer.....	AR
23	SC-021-03	Mach Screw 4-40 x 3/8 Rd Hd (SST).....	2
24	00-072937	Speed Nut 4-40.....	2
25	00-271057	NLA - Obsolete--Cap - Wireway.....	AR
26	SD-007-38	Self-Tapping Screw 8-18 x 1/4 Phil. Bndg. Hd., Type B.....	AR
27	00-274252	Wire - Raceway.....	1
28	00-288946-2	Foot - Adjustable (1 1/2 to 2 3/4).....	2
29	00-329688	Foot - Flanged.....	2
30	00-294677-3	Clamp - Wire (3/4 ID).....	2
31	NS-047-94	Nutlock - Special 3/16.....	2

* Front or rear option is referring to the position of the rack start actuator.

