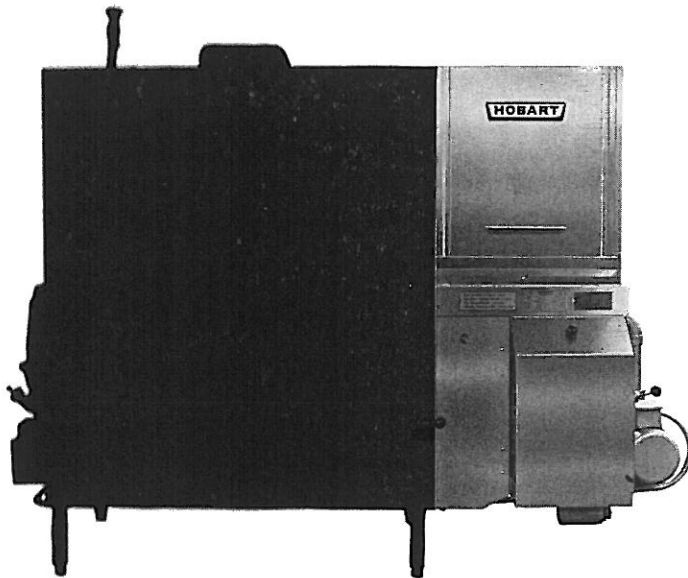




# CATALOG OF REPLACEMENT PARTS



## MODEL RS22 PREWASH UNIT

FOR CRS66, 76, 86 or 103  
DISHWASHERS

(INCLUDES MOTOR PARTS)

|          |        |          |
|----------|--------|----------|
| ML-33299 | CRS66  | R. to L. |
| ML-33300 | CRS66  | L. to R. |
| ML-31852 | CRS76  | R. to L. |
| ML-31853 | CRS76  | L. to R. |
| ML-33324 | CRS86  | R. to L. |
| ML-33325 | CRS86  | L. to R. |
| ML-31856 | CRS103 | R. to L. |
| ML-31857 | CRS103 | L. to R. |

## Table of Contents

| Page | Description                          |
|------|--------------------------------------|
| 3    | Motor and Pump (1/2 H.P. Motor)      |
| 5    | Motor and Pump (1 H.P. Motor)        |
| 7    | 1/2 H.P. Motor                       |
| 9    | 1 H.P. Motor                         |
| 10   | Motor Relay (3 Ph.) (CRS86 & CRS103) |
| 11   | Jumper Panel                         |
| 13   | Door                                 |
| 15   | Wash Chamber and Tank                |
| 17   | Wash Piping (1/2 H.P. Motor)         |
| 19   | Wash Piping (1 H.P. Motor)           |
| 21   | Cradle and Tracks                    |
| 23   | Drain and Overflow                   |
| 25   | Temperature Control (Piping)         |
| 26   | Temperature Control (Electrical)     |
| 27   | Auto Fill (Pressure Switch)          |
| 28   | Auto Fill (Switch Arm)               |
| 29   | Auto Fill (Rotary Switch)            |
| 30   | Flow Back Piping (CRS66 & CRS76)     |
| 31   | Flow Back Piping (CRS86 & CRS103)    |
| 32   | Common Drain                         |

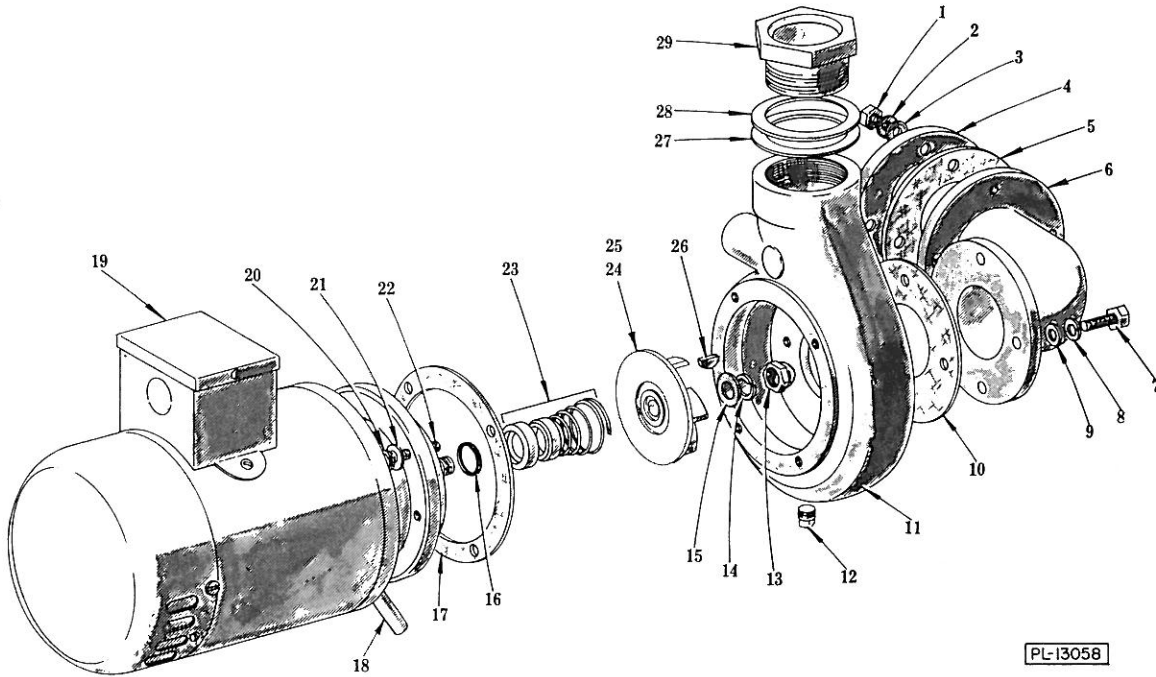
This Catalog now contains parts for Standard Height as well as 3" and 6" higher than Standard Height. For proper identification of some parts it is necessary to measure the Door Height. These parts are so noted.

### DOOR HEIGHT

22<sup>5</sup>/<sub>16</sub>" = Standard

25<sup>5</sup>/<sub>16</sub>" = 3" Higher than Standard

28<sup>5</sup>/<sub>16</sub>" = 6" Higher than Standard



**MOTOR AND PUMP  
(1/2 H.P. MOTOR)**

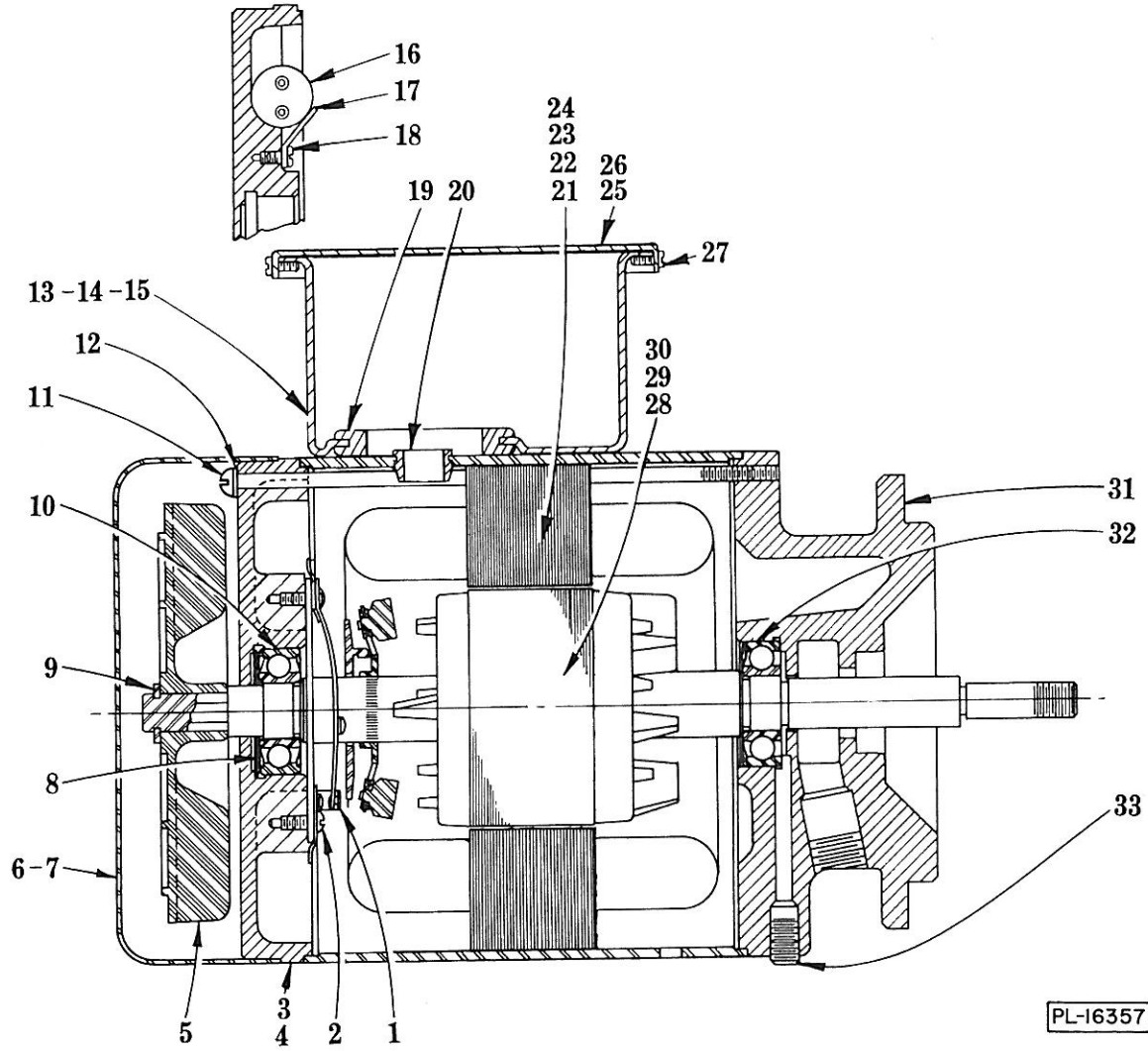
| ILLUS.<br>PL-13058 | PART<br>NO. | NAME OF PART <sup>17</sup>                      | AMT. |
|--------------------|-------------|---|------|
| 1                  | SC-41-13    | Cap Screw 5/16-18 x 1 Hex Hd                    | 4    |
| 2                  | WL-6-22     | Lock Washer 5/16 Light                          | 4    |
| 3                  | WS-17-8     | Washer  | 4    |
| 4                  | 82642       | Retainer - Intake Ell                           | 1    |
| 5                  | 82643       | Gasket - Intake Ell                             | 2    |
| 6                  | 82660       | Ell - Pump Intake                               | 1    |
| 7                  | SC-41-13    | Cap Screw 5/16-18 x 1 Hex Hd                    | 4    |
| 8                  | WL-6-22     | Lock Washer 5/16 Light                          | 4    |
| 9                  | WS-17-8     | Washer  | 4    |
| 10                 | 10563       | Gasket - Pump                                   | 1    |
| 11                 | 68877       | Pump Shell                                      | 1    |
| 12                 | FP-52-20    | Plug 1/8 Sq. Hd. Pipe                           | 1    |
| 13                 | NS-24-6     | Acorn Nut 7/16-20                               | 1    |
| 14                 | WL-6-32     | Lock Washer 7/16 Light                          | 1    |
| 15                 | WS-21-1     | Washer  | 1    |
| 16                 | 67500-7     | "O" Ring  | 1    |
| 17                 | 104063      | Gasket - Face Plate                             | 1    |
| 18                 | FP-64-15    | Nipple 3/8 x 2 1/4 (S.T.O.E.) (Drain for Motor) | 1    |
| 19                 | ML-18897    | Motor (Give Elec. Spec.)                        | 1    |
| 20                 | WL-6-22     | Lock Washer 5/16 Light                          | 4    |
| 21                 | WS-17-8     | Washer  | 4    |
| 22                 | SC-41-13    | Cap Screw 5/16-18 x 1 Hex Hd                    | 4    |
| 23                 | 104329      | Shaft Seal Assy. (5/8)                          | 1    |
| 24                 | 103474      | Impeller (3450 RPM) (60 Hz.)                    | 1    |
| 25                 | 106638      | Impeller (2850 RPM) (50 Hz.)                    | 1    |
| 26                 | KW-3-3      | Key - #404 Woodruff                             | 1    |
| 27                 | 21105       | Washer (Lead)                                   | 1    |
| 28                 | 21104       | Washer (SST)                                    | 1    |
| 29                 | 82645       | Discharge - Pump                                | 1    |
|                    | ML-39345    | Motor & Impeller Assy. (Give Elec. Spec.)       | 1    |



**MOTOR AND PUMP (H-6-F)**  
**(1 H.P. MOTOR)**

| ILLUS.<br>PL-20026 | PART<br>NO. | NAME OF PART <sup>17</sup>  | AMT. |
|--------------------|-------------|---|------|
| 1                  | ML-18491    | Motor Unit (Give Elec. Spec.)   | 1    |
| 2                  | 9934-1      | Gasket - Pump Outlet  | 1    |
| 3                  | 67500-7     | "O" Ring  | 1    |
| 4                  | 104329      | Shaft Seal Assy   | 1    |
| 5                  | 77726       | Shell - Pump  | 1    |
| 6                  | 9925        | Lock Nut - Inlet  | AR   |
| 7                  | WS-16-18    | Washer  | 2    |
| 8                  | 508458      | Sealer (1/4" Rd.)   | AR   |
| 9                  | 87954       | Pump Intake Screen Assy   | 1    |
| 10                 | 77727       | Plate - Face  | 1    |
| *11                | 80432       | Face Plate Gasket Kit (1 Set Consists of: 1 Blue (.055" Thk.); 1 Brown (.010" Thk.); & 1 Yellow (.020" Thk.)) | 1Set |
| 12                 | 22465       | Gasket - Face Plate Cover   | 1    |
| 13                 | 112558      | Face Plate Cover & Label Assy   | 1    |
| 14                 | SC-41-10    | Cap Screw 5/16-18 x 5/8 Hex Hd  | 3    |
| 15                 | WL-3-43     | Lock Washer 5/16 Light  | 3    |
| 16                 | SC-41-12    | Cap Screw 5/16-18 x 7/8 Hex Hd  | 6    |
| 17                 | WL-3-43     | Lock Washer 5/16 Light  | 6    |
| 18                 | 11800-37    | Dowel   | 1    |
| 19                 | NS-24-6     | Acorn Nut 7/16-20   | 1    |
| 20                 | WL-6-32     | Lock Washer 7/16 Light  | 1    |
| 21                 | WS-21-1     | Washer  | 1    |
| 22                 | KW-3-3      | Key - #404 Woodruff   | 1    |
| 23                 | 74299       | Impeller (3450 RPM) (60 Hz.)  | 1    |
| 24                 | 74542       | Impeller (2850 RPM) (50 Hz.)  | 1    |
| 25                 | FP-52-20    | Plug 1/8 Sq. Hd. Pipe   | 1    |
| 26                 | 12137       | Gasket  | 1    |
| 27                 | 112478      | Cover - Hand Hole   | 1    |
| 28                 | SC-41-10    | Cap Screw 5/16-18 x 5/8 Hex Hd  | 4    |
| 29                 | WL-3-43     | Lock Washer 5/16 Light  | 4    |
| 30                 | FP-64-15    | Nipple 3/8 x 2 1/4 Lg. (S.T.O.E.)   | 1    |
| 31                 | 104032      | Gasket  | 1    |
| 32                 | WS-17-8     | Washer  | 6    |
| 33                 | 508454      | Sealer (1/8" Rd.)   | AR   |
| 34                 | SC-41-12    | Cap Screw 5/16-18 x 7/8 Hex Hd  | 6    |
|                    | 80431-1     | H-6-F Pump Assy. (60 Hz.) (Incls. items 2 thru 7, 10 thru 23, 25, 26 thru 29, 31, 32 & 34)                    | 1    |
|                    | 80431-5     | H-6-F Pump Assy. (50 Hz.) (Incls. items 2 thru 7, 10 thru 22, 24 thru 29, 31, 32 & 34)                        | 1    |
|                    | 112417-3    | Motor & Impeller Assy. (60 Hz., 1 Ph.) (Incls. items 1, 3, 4, 19, 20, 21, 22, 23, 30 & 31)                    | 1    |
|                    | 111070-29   | Motor & Impeller Assy. (60 Hz., 3 Ph.) (Incls. items 1, 3, 4, 19, 20, 21, 22, 23, 30 & 31)                    | 1    |
|                    | 112417-5    | Motor & Impeller Assy. (50 Hz., 1 Ph.) (Incls. items 1, 3, 4, 19, 20, 21, 22 & 24)                            | 1    |
|                    | 111070-30   | Motor & Impeller Assy. (50 Hz., 3 Ph.) (Incls. items 1, 3, 4, 19, 20, 21, 22 & 24)                            | 1    |

\*Select gasket to obtain .008" to .010" clearance between face plate and impeller.



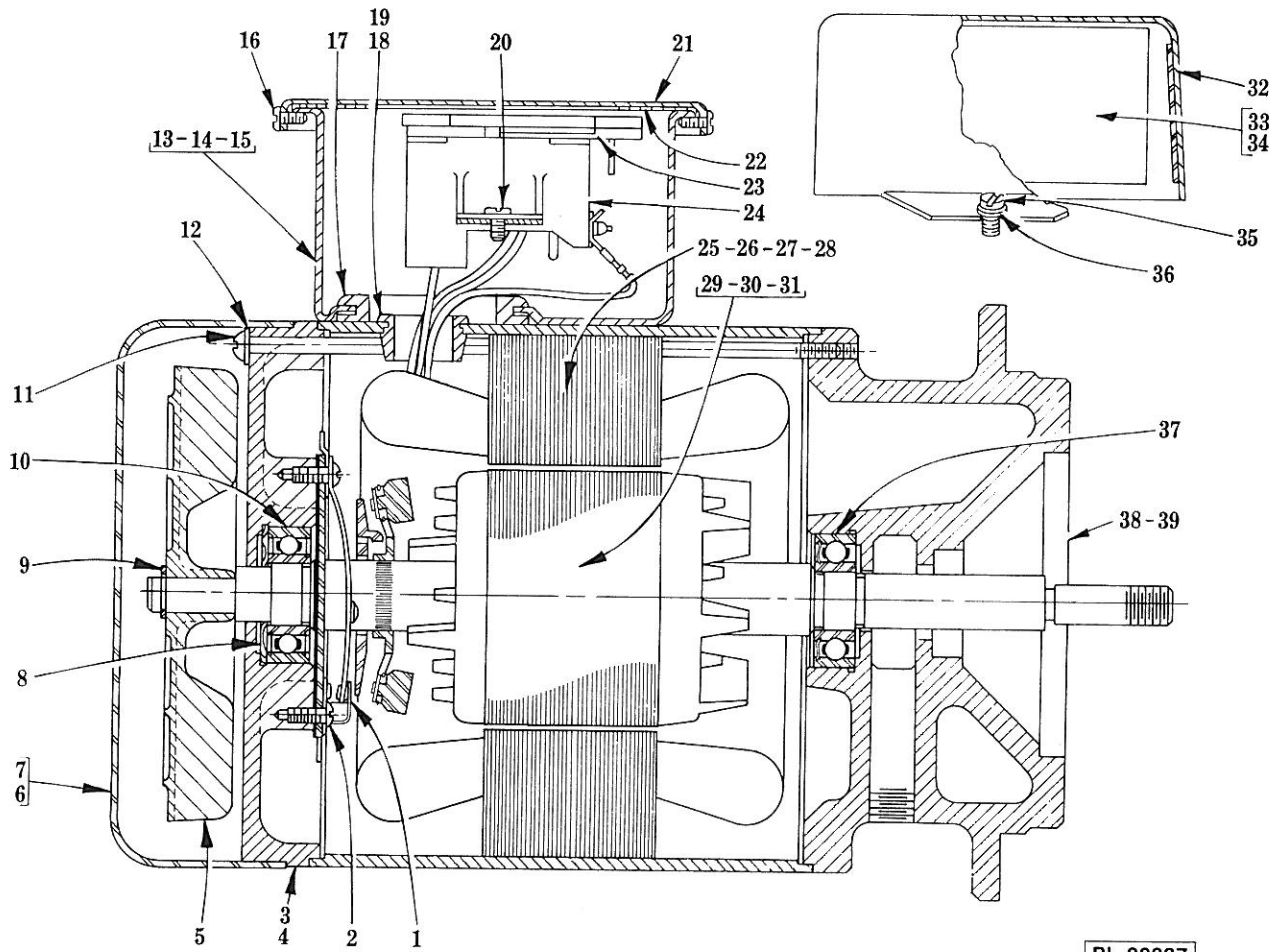
1/2 H.P. MOTOR UNIT

## 1/2 H.P. MOTOR UNIT

| ILLUS.<br>PL-16357 | PART<br>NO. | NAME OF PART <sup>17</sup>                        | AMT. |
|--------------------|-------------|---|------|
| *1                 | 106590      | Switch - Starting (Stationary Part)               | 1    |
| *2                 | SC-18-50    | Mach. Screw 6-32 x 1/4 Pan Hd                     | 4    |
| *3                 | 114379-1    | Bracket - Bearing (Fan End)                       | 1    |
| **4                | 114379-2    | Bracket - Bearing (Fan End)                       | 1    |
| 5                  | 111493-1    | Fan - Ventilating                                 | 1    |
| 6                  | 77067       | Cover - Motor End                                 | 1    |
| 7                  | SC-9-65     | Mach. Screw 8-32 x 1/4 Rd. Hd                     | 2    |
| 8                  | SL-2-4      | Loading Spring N.D. #S-17                         | 1    |
| 9                  | RR-4-17     | Retaining Ring                                    | 1    |
| 10                 | BB-20-18    | Ball Bearing N.D. #77503                          | 1    |
| 11                 | SC-60-75    | Mach. Screw 10-24 x 6 1/2 Rd. Hd                  | 4    |
| 12                 | WL-8-13     | Lock Washer 10 Int. Shakeproof                    | 4    |
| 13                 | 120986      | Box - Terminal                                    | 1    |
| 14                 | SD-15-27    | Self-Tapping Screw 10 x 5/16 Pan Hd. "Taptite"    | 2    |
| 15                 | WL-7-12     | Lock Washer 10 Ext. Shakeproof                    | 2    |
| *16                | 106689      | Capacitor Assy                                    | 1    |
| *17                | 106572      | Clamp - Capacitor                                 | 2    |
| *18                | SC-18-50    | Mach. Screw 6-32 x 1/4 Pan Hd                     | 2    |
| 19                 | 60395       | Grommel   | 1    |
| 20                 | 79118       | Bushing - Snap (Field Ring)                       | 1    |
| *21                | 65477-85-2  | Stator Assy. (200-240 V., 60 Hz.; 220 V., 50 Hz.) | 1    |
| **22               | 65478-68-1  | Stator Assy. (200-240 V., 60 Hz.; 220 V., 50 Hz.) | 1    |
| **23               | 65478-68-2  | Stator Assy. (400-480 V., 60 Hz.)                 | 1    |
| **24               | 65478-68-3  | Stator Assy. (380 V., 50 Hz.)                     | 1    |
| 25                 | 113405      | Cover - Terminal Box                              | 1    |
| 26                 | 114811      | Gasket - Terminal Box Cover                       | 1    |
| 27                 | SD-12-45    | Self-Tapping Screw 8 x 5/16 Pan Hd., Type 23      | 2    |
| *28                | 22275-180   | Rotor Assy. (60 Hz.)                              | 1    |
| *29                | 22275-181   | Rotor Assy. (50 Hz.)                              | 1    |
| **30               | 15747-278   | Rotor Assy. (50/60 Hz.)                           | 1    |
| 31                 | 79206-1     | Bracket - Bearing (Pump End)                      | 1    |
| 32                 | BB-20-5     | Ball Bearing - N.D. #7503                         | 1    |
| 33                 | 118070-1    | Plug  | 1    |

\*1 Phase.

\*\*3 Phase.



PL-20027

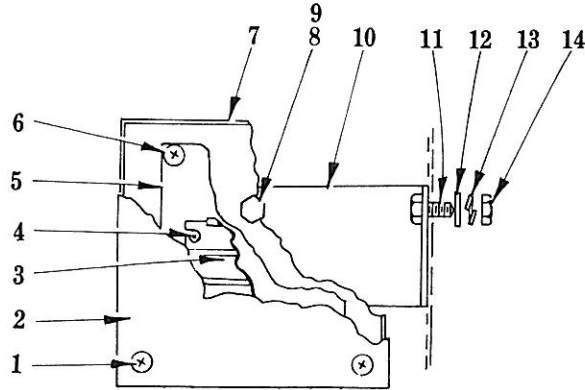
1 H.P. MOTOR UNIT

## 1 H.P. MOTOR UNIT

| ILLUS.<br>PL-20027 | PART<br>NO. | NAME OF PART <sup>17</sup>  | AMT. |
|--------------------|-------------|---|------|
| *1                 | 119858-2    | Switch Starting (Stationary Part)                                 | 1    |
| *2                 | SC-9-49     | Mach. Screw 6-32 x 3/8 Rd. Hd                                     | 2    |
| *3                 | 114379-3    | Bracket - Bearing (Fan End)                                       | 1    |
| **4                | 114379-2    | Bracket - Bearing (Fan End)                                       | 1    |
| 5                  | 292466-1    | Fan - Ventilating   | 1    |
| 6                  | 77067       | Cover - Motor End   | 1    |
| 7                  | SC-9-65     | Mach. Screw 8-32 x 1/4 Rd. Hd                                     | 2    |
| 8                  | SL-2-4      | Loading Spring - N.D. #S-17                                       | 1    |
| 9                  | RR-4-17     | Retaining Ring  | 1    |
| 10                 | BB-20-18    | Ball Bearing - N.D. #77503  | 1    |
| 11                 | SC-81-76    | Mach. Screw 10-24 x 7 Rd. Hd                                      | 4    |
| 12                 | WL-8-13     | Lock Washer 10 Int. Shakeproof                                    | 4    |
| 13                 | 113403      | Box - Terminal  | 1    |
| 14                 | SD-15-27    | Self-Tapping Screw 10 x 3/16 Pan Hd. "Taptite"                    | 2    |
| 15                 | WL-7-12     | Lock Washer 10 Ext. Shakeproof                                    | 2    |
| 16                 | SD-12-45    | Self-Tapping Screw 8 x 3/16 Pan Hd., Type 23                      | 2    |
| 17                 | 60395       | Grommet   | 1    |
| 18                 | 79118       | Bushing - Snap (Field Ring)                                       | 1    |
| *19                | 80369       | Bushing - Snap (Field Ring)                                       | 1    |
| 20                 | SD-12-45    | Self-Tapping Screw 8 x 3/16 Pan Hd., Type 23                      | 2    |
| 21                 | 113405      | Cover - Terminal Box  | 1    |
| 22                 | 114811      | Gasket - Terminal Box Cover                                       | 1    |
| 23                 | 113417      | Connector Block Assy  | 1    |
| 24                 | 113552      | Terminal Block Base Assy  | 1    |
| *25                | 65477-147-1 | Stator Assy. (200-230 V., 60 Hz.)                                 | 1    |
| *26                | 65477-147-2 | Stator Assy. (220 V., 50 Hz.)                                     | 1    |
| **27               | 65478-110-1 | Stator Assy. (200-230 V., 400-460 V., 60 Hz.)                     | 1    |
| **28               | 65478-112-1 | Stator Assy. (220/380 V., 50 Hz.)                                 | 1    |
| *29                | 22275-208   | Rotor Assy. (200-230 V., 60 Hz.)                                  | 1    |
| *30                | 22275-207   | Rotor Assy. (220 V., 50 Hz.)                                      | 1    |
| *31                | 15747-288   | Rotor Assy. (200-230 V., 400-480 V., 60 Hz.) (220/380 V., 50 Hz.) | 1    |
| *32                | 104725      | Capacitor Cover & Insulator Assy                                  | 1    |
| *33                | 70487-6     | Capacitor   | 1    |
| *34                | 89258       | Retainer - Capacitor  | 1    |
| *35                | SD-15-3     | Self-Tapping Screw 10 x 1/4 Pan Hd. "Taptite"                     | 2    |
| *36                | WS-2-15     | Washer (Shims screw to prevent bottoming)                         | 2    |
| 37                 | BB-20-18    | Ball Bearing N.D. #7503   | 1    |
| 38                 | 118969-1    | Bracket - Bearing (Pump End) (60 Hz.)                             | 1    |
| 39                 | 118969-2    | Bracket - Bearing (Pump End) (50 Hz.)                             | 1    |
|                    | 118070-1    | Plug (Not Shown) (Use with items 38 & 39)                         | 1    |

\*1 Phase.

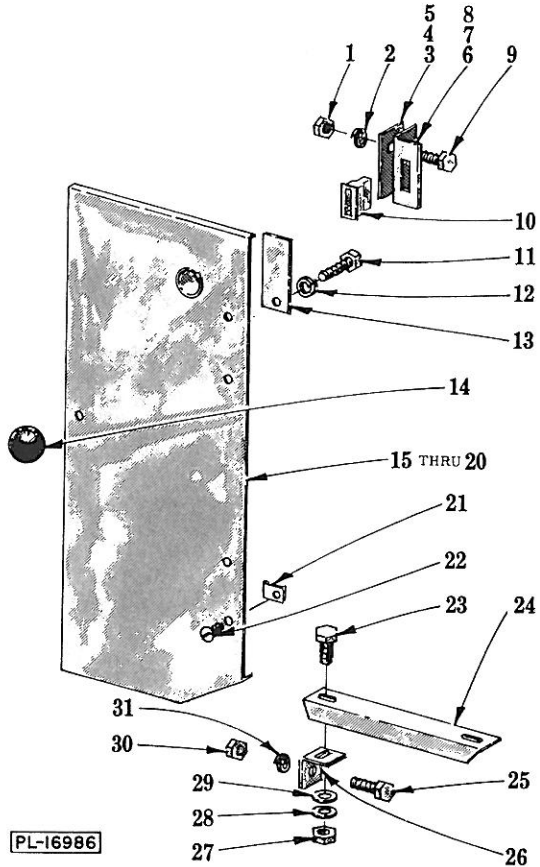
\*\*2 Phase.



PL-20037

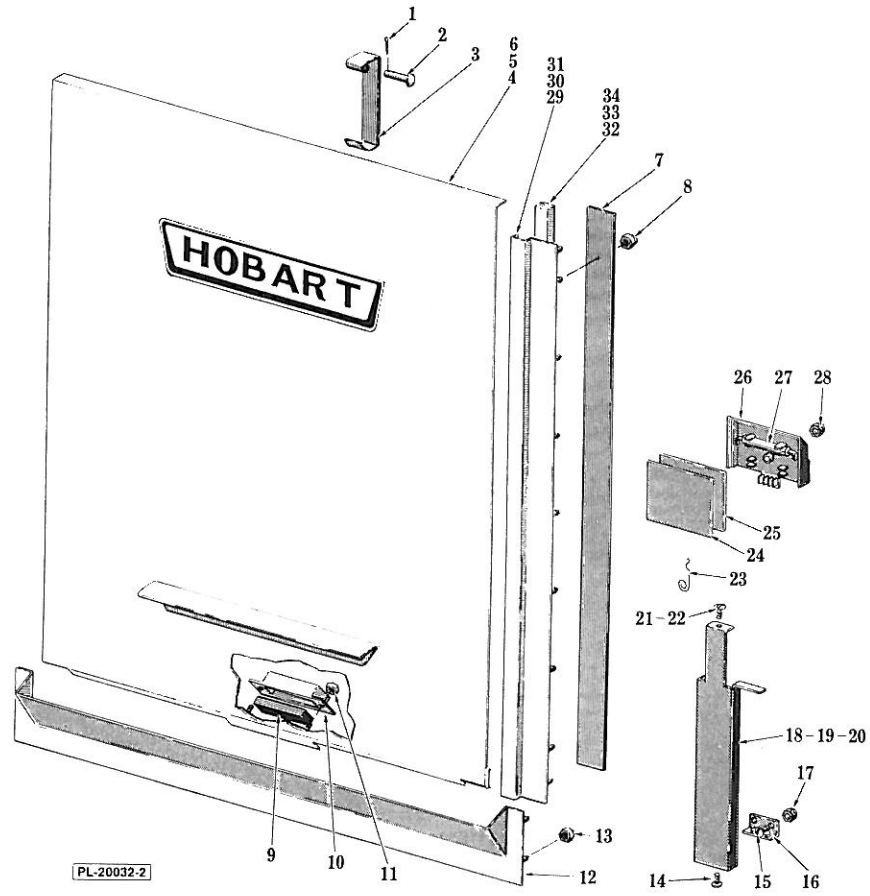
**MOTOR RELAY (3 PH.)  
(CRS86 & CRS103)**

| ILLUS.<br>PL-20037 | PART<br>NO. | NAME OF PART <sup>17</sup>                          | AMT. |
|--------------------|-------------|---|------|
| 1                  | SC-71-11    | Mach. Screw 10-24 x 3/8 Phil. Truss Hd              | 4    |
| 2                  | 113913      | Cover   | 1    |
| 3                  | 88196-5-1   | Relay - Thermal Overload                            | 1    |
| 4                  | SD-8-25     | Self-Tapping Screw 10 x 3/8 Phil. Bind. Hd., Type B | 2    |
| 5                  | 113911      | Plate - Relay Mounting                              | 1    |
| 6                  | SC-71-11    | Mach. Screw 10-24 x 3/8 Phil. Truss Hd              | 4    |
| 7                  | 113930-1    | Relay Box Assy                                      | 1    |
| 8                  | SC-41-9     | Cap Screw 5/16-18 x 1/2 Hex Hd                      | 2    |
| 9                  | WL-6-22     | Lock Washer 5/16 Light                              | 2    |
| 10                 | 113910      | Bracket - Relay Box Mounting                        | 1    |
| 11                 | SC-41-11    | Cap Screw 5/16-18 x 3/4 Hex Hd                      | 2    |
| 12                 | WS-5-32     | Washer  | 2    |
| 13                 | WL-6-22     | Lock Washer 5/16 Light                              | 2    |
| 14                 | NS-15-11    | Full Nut 5/16-18 Hex Fin                            | 2    |



**JUMPER PANEL**

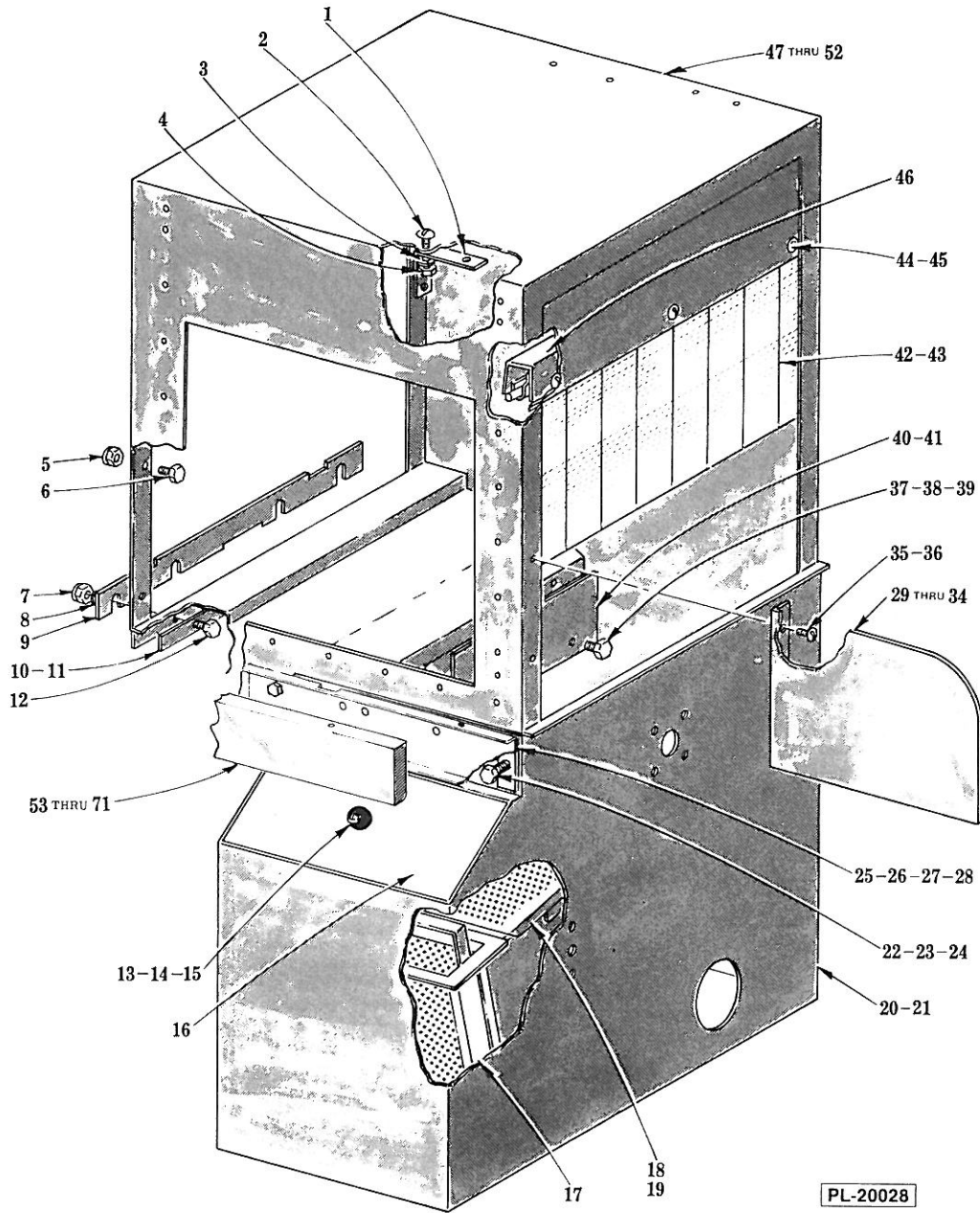
| ILLUS. NO. | PART NO. | NAME OF PART <sup>17</sup>   | AMT. |
|------------|----------|--|------|
| 1          | NS-13-11 | Full Nut 5/16-18 Hex Fin   | 2    |
| 2          | WL-3-43  | Lock Washer 5/16 Light   | 2    |
| 3          | 80752    | Spacer - Magnet Support (L. to R. Standard) or (R. to L. Gas or Steam)                   | AR   |
| 4          | 104142   | Spacer - Magnet Support (R. to L.) (Elec. Heat) (CRS66 & CRS76)                          | AR   |
| 5          | 80752    | Spacer - Magnet Support (CRS86 & CRS103) (R. to L., Elec.)                               | 1    |
| 6          | 103792   | Support - Magnet (L. to R. Standard) or (R. to L. Gas or Steam)                          | 1    |
| 7          | 104143   | Support - Magnet (R. to L.) (Elec. Heat) (CRS66 & CRS76)                                 | 1    |
| 8          | 103792   | Support - Magnet (CRS86 & CRS103) (R. to L., Elec.)                                      | 1    |
| 9          | SC-36-26 | Cap Screw 5/16-18 x 7/8 Hex Hd   | 2    |
| 10         | 104135   | Catch - Magnetic   | 1    |
| 11         | SC-41-26 | Cap Screw 3/8-16 x 1/2 Hex Hd  | 1    |
| 12         | WL-6-27  | Lock Washer 3/8 Light  | 1    |
| 13         | 80743    | Plate - Magnet   | 1    |
| 14         | 60468    | Knob   | 1    |
| 15         | 80437    | Jumper Panel & Reflection Tube Assy. (R. to L.) (Gas or Steam Heat)                      | 1    |
| 16         | 82816    | Jumper Panel & Reflection Tube Assy. (R. to L.) (Elec. Heat) (Not Shown) (CRS66 & CRS76) | 1    |
| 17         | 80448    | Jumper Panel & Reflection Tube Assy. (R. to L.) (Elec.) (CRS86 & CRS103)                 | 1    |
| 18         | 80450    | Jumper Panel & Reflection Tube Assy. (L. to R.) (Gas & Steam) (CRS86 & CRS103)           | 1    |
| 19         | 80438    | Jumper Panel & Reflection Tube Assy. (L. to R.) (Elec.) (CRS86 or CRS103)                | 1    |
| 20         | 79396    | Panel - Jumper (L. to R.) (Not Shown) (CRS66 & CRS76)                                    | 1    |
| 21         | 74348    | Speed Nut 10-24  | 4    |
| 22         | SC-53-5  | Mach. Screw 10-24 x 3/8 Truss Hd   | 4    |
| 23         | SC-14-10 | Cap Screw 5/16-18 x 5/8 Hex Hd   | 4    |
| 24         | 79451    | Angle Tie  | 2    |
| 25         | SC-14-10 | Cap Screw 5/16-18 x 5/8 Hex Hd   | 2    |
| 26         | 79448    | Support - Tie Bar  | 2    |
| 27         | NS-15-11 | Full Nut 5/16-18 Hex Fin   | 4    |
| 28         | WL-6-22  | Lock Washer 5/16 Light   | 4    |
| 29         | WS-17-21 | Washer   | 4    |
| 30         | NS-15-11 | Full Nut 5/16-18 Hex Fin   | 2    |
| 31         | WL-6-22  | Lock Washer 5/16 Light   | 2    |



DOOR

## DOOR

| ILLUS.<br>PL-20032-2 | PART<br>NO. | NAME OF PART <sup>17</sup>                                       | AMT. |
|----------------------|-------------|--|------|
| 1                    | PC-4-6      | Cotter Pin 1/16 x 1/2 Lg   | 1    |
| 2                    | 12114       | Pin  | 1    |
| 3                    | 290164      | Latch - Door   | 1    |
| 4                    | 290180      | Door Assy. (22 <sup>5</sup> / <sub>16</sub> " Door Height)       | 1    |
| 5                    | 290180-2    | Door Assy. (25 <sup>5</sup> / <sub>16</sub> " Door Height)       | 1    |
| 6                    | 290180-3    | Door Assy. (28 <sup>5</sup> / <sub>16</sub> " Door Height)       | 1    |
| 7                    | 526408      | Tape - Foam  | AR   |
| 8                    | NS-31-16    | Stop Nut 10-24 "Elastic"   | 18   |
| 9                    | 290160      | Magnet   | 1    |
| 10                   | 290159      | Retainer - Magnet  | 1    |
| 11                   | NS-31-50    | Stop Nut 6-32 "Elastic"  | 2    |
| 12                   | 103441      | Inspection Door Trough Assy                                      | 1    |
| 13                   | NS-31-16    | Stop Nut 10-24 "Elastic"   | 11   |
| 14                   | SC-53-2     | Mach. Screw 10-24 x 1/2 Truss Hd                                 | 1    |
| 15                   | SC-53-2     | Mach. Screw 10-24 x 1/2 Truss Hd                                 | 2    |
| 16                   | 276414-1    | Wire Way Bracket Assy  | 1    |
| 17                   | NS-31-15    | Stop Nut 10-24 "Elastic"   | 2    |
| 18                   | 286731-1    | Wire Way (R. to L., CRS86 & CRS103)                              | 1    |
| 19                   | 286731-2    | Wire Way (Not Shown) (L. to R., CRS66 & CRS76)                   | 1    |
| 20                   | 286731-3    | Wire Way (R. to L., CRS66 & CRS76; L. to R., CRS86 & CRS103)     | 1    |
| 21                   | SC-53-2     | Mach. Screw 10-24 x 1/2 Truss Hd                                 | 1    |
| 22                   | 74348       | Speed Nut 10-24  | 1    |
| 23                   | 276451      | Retainer - Wire  | 5    |
| 24                   | 290161-1    | Door Interlock Cover Assy  | 2    |
| 25                   | 290172      | Insulator - Cover  | 2    |
| 26                   | 286621      | Bracket - Reed Switch  | 2    |
| 27                   | 114941      | Switch - Reed  | 2    |
| 28                   | NS-31-16    | Stop Nut 10-24 "Elastic"   | 2    |
| 29                   | 112379-5    | Door Guide Assy. (22 <sup>5</sup> / <sub>16</sub> " Door Height) | 2    |
| 30                   | 112379-4    | Door Guide Assy. (25 <sup>5</sup> / <sub>16</sub> " Door Height) | 2    |
| 31                   | 112379-6    | Door Guide Assy. (28 <sup>5</sup> / <sub>16</sub> " Door Height) | 2    |
| 32                   | 112378-1    | Slide - Door (22 <sup>5</sup> / <sub>16</sub> " Door Height)     | 2    |
| 33                   | 112378-33   | Slide - Door (25 <sup>5</sup> / <sub>16</sub> " Door Height)     | 2    |
| 34                   | 112378-2    | Slide - Door (28 <sup>5</sup> / <sub>16</sub> " Door Height)     | 2    |

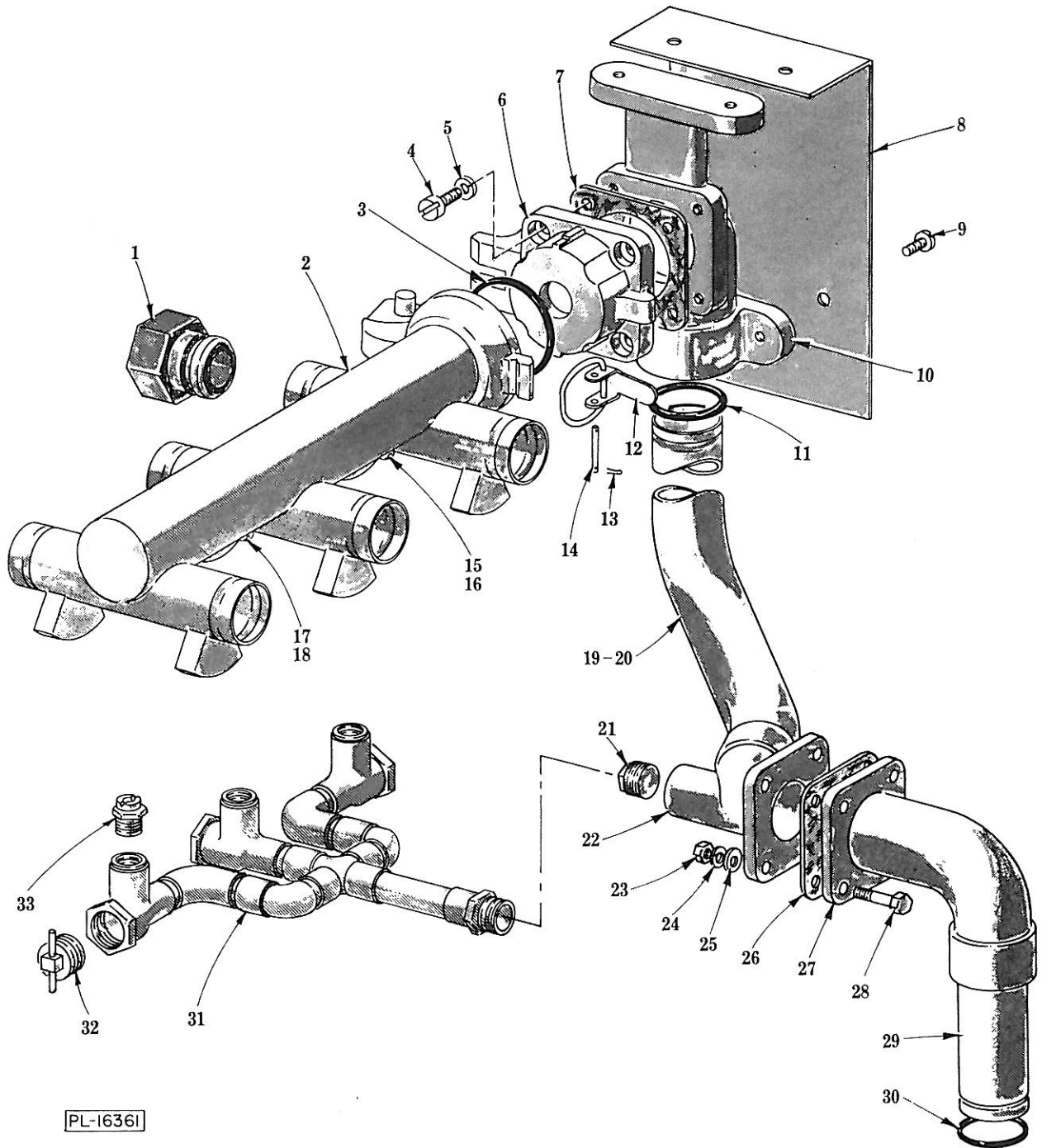


**WASH CHAMBER AND TANK**

| ILLUS.<br>PL-20028 | PART<br>NO. | NAME OF PART <sup>17</sup>         | AMT. |
|--------------------|-------------|------------------------------------|------|
| 1                  | 79162       | Hanger - Cradle Suspension Strip   | 2    |
| 2                  | SC-53-16    | Mach. Screw 5/16-18 x 5/8 Truss Hd | 4    |
| 3                  | WL-6-22     | Lock Washer 5/16 Light             | 4    |
| 4                  | NS-15-11    | Full Nut 5/16-18 Hex Fin           | 4    |
| 5                  | NS-31-19    | Stop Nut 1/4-20 "Elastic"          | 15   |
| 6                  | SC-41-5     | Cap Screw 1/4-20 x 5/8 Hex Hd      | 15   |
| 7                  | NS-31-29    | Stop Nut 5/16-18 "Elastic"         | 4    |
| 8                  | WS-17-8     | Washer                             | 4    |
| 9                  | 79254       | Deflector - Wash Chamber           | 1    |
| 10                 | 80931-1     | Spacer - Chamber (.1345" Thk.)     | AR   |
| 11                 | 80931-2     | Spacer - Chamber (.0598" Thk.)     | AR   |

## WASH CHAMBER AND TANK (Cont.)

| ILLUS.<br>PL-20028 | PART<br>NO. | NAME OF PART <sup>17</sup>   | AMT. |
|--------------------|-------------|--|------|
| 12                 | SC-41-12    | Cap Screw 5/16-18 x 7/8 Hex Hd   | 4    |
| 13                 | 60468       | Knob   | 1    |
| 14                 | WL-6-27     | Lock Washer 3/8 Light  | 1    |
| 15                 | SC-41-26    | Cap Screw 3/8-16 x 1/2 Hex Hd  | 1    |
| 16                 | 79517       | Strainer Chute Cover Assy  | 1    |
| 17                 | 79387       | Strainer Basket Assy   | 1    |
| 18                 | 79371       | Pan - Strainer   | 1    |
| 19                 | 286830      | Pan - Deflector (Not Shown)  | 1    |
| 20                 | 103753      | Tank Assy. (R. to L.)  | 1    |
| 21                 | 103815      | Tank Assy. (L. to R.) (Not Shown)  | 1    |
| 22                 | SC-41-10    | Cap Screw 5/16-18 x 5/8 Hex Hd   | 4    |
| 23                 | WL-6-22     | Lock Washer 5/16 Light   | 4    |
| 24                 | NS-15-11    | Full Nut 5/16-18 Hex Hd  | 4    |
| 25                 | 276453-2    | Support - Tank (Front, R. to L., Rear, L. to R.)   | 1    |
| 26                 | 276453-1    | Support - Tank (Rear, R. to L., Front, L. to R.) (Not Shown)   | 1    |
| 27                 | 107213      | Shim - Tank Support  | 2    |
| 28                 | 68911       | Plate - Reinforcement  | 2    |
| 29                 | 287625      | Shield - Splash (22 5/16" Door Height)   | 2    |
| 30                 | 287625-2    | Shield - Splash (25 5/16" Door Height)   | 2    |
| 31                 | 287625-3    | Shield - Splash (28 5/16" Door Height)   | 2    |
| 32                 | 86586       | Support - Splash Shield (22 5/16" Door Height)   | 2    |
| 33                 | 86586-2     | Support - Splash Shield (25 5/16" Door Height)   | 2    |
| 34                 | 86586-3     | Support - Splash Shield (28 5/16" Door Height)   | 2    |
| 35                 | SC-53-2     | Mach. Screw 10-24 x 1/2 Truss Hd   | 4    |
| 36                 | NS-31-15    | Stop Nut 10-24 "Elastic"   | 4    |
| 37                 | SC-41-12    | Cap Screw 5/16-18 x 7/8 Hex Hd   | 2    |
| 38                 | SC-41-10    | Cap Screw 5/16-18 x 5/8 Hex Hd   | 2    |
| 39                 | NS-31-29    | Stop Nut 5/16-18 "Elastic"   | 2    |
| 40                 | 107214      | Shield - Splash  | 1    |
| 41                 | 101494      | Spacer - Splash Shield   | 2    |
| 42                 | 120151-1    | Curtain - Splash (10-C-1)  | 1    |
| 43                 | 120266-1    | Rod - Splash Curtain   | 1    |
| 44                 | SC-53-5     | Mach. Screw 10-24 x 3/8 Truss Hd   | 3    |
| 45                 | NS-31-15    | Stop Nut 10-24 "Elastic"   | 3    |
| 46                 | 79047       | Curtain Hook & Drip Shield Assy  | 1    |
| 47                 | 103768-2    | Chamber Assy. (22 5/16" Door Height) (R. to L.) (Incls. items 1, 2, 3, 4, 44, 45, 46 & Door Guide Assy.) | 1    |
| 48                 | 103776-2    | Chamber Assy. (22 5/16" Door Height) (L. to R.) (Incls. items 1, 2, 3, 4, 44, 45, 46 & Door Guide Assy.) | 1    |
| 49                 | 105475-2    | Chamber Assy. (25 5/16" Door Height) (R. to L.) (Incls. items 1, 2, 3, 4, 44, 45, 46 & Door Guide Assy.) | 1    |
| 50                 | 105479-2    | Chamber Assy. (25 5/16" Door Height) (L. to R.) (Incls. items 1, 2, 3, 4, 44, 45, 46 & Door Guide Assy.) | 1    |
| 51                 | 105475-3    | Chamber Assy. (28 5/16" Door Height) (R. to L.) (Incls. items 1, 2, 3, 4, 44, 45, 46 & Door Guide Assy.) | 1    |
| 52                 | 105479-3    | Chamber Assy. (28 5/16" Door Height) (L. to R.) (Incls. items 1, 2, 3, 4, 44, 45, 46 & Door Guide Assy.) | 1    |
| 53                 | 290163-1    | Panel - Front Trim (CRS66, R-L) (W/Door Interlock)   | 1    |
| 54                 | 290167-1    | Panel - Front Trim (CRS66, L-R) (W/Door Interlock)   | 1    |
| 55                 | 79909       | Panel - Front Trim (CRS66) (W/O Door Interlock)  | 1    |
| 56                 | 78874       | Panel - Rear Trim (CRS66)  | 1    |
| 57                 | 287503      | Panel - Front Trim (CRS76, R-L) (W/Door Interlock)   | 1    |
| 58                 | 286797      | Panel - Front Trim (CRS76, L-R) (W/Door Interlock)   | 1    |
| 59                 | 80125       | Panel - Front Trim (CRS76) (W/O Door Interlock)  | 1    |
| 60                 | 80126       | Panel - Front Rear Trim (CRS76)  | 1    |
| 61                 | 286798      | Panel - Front Trim (CRS86, R-L) (W/Door Interlock)   | 1    |
| 62                 | 286799      | Panel - Front Trim (CRS86, L-R) (W/Door Interlock)   | 1    |
| 63                 | 80077       | Panel - Front Trim (CRS86) (W/O Door Interlock)  | 1    |
| 64                 | 79824       | Panel - Rear Trim (CRS86)  | 1    |
| 65                 | 286928      | Panel - Front Trim (CRS103, R-L) (W/Door Interlock)  | 1    |
| 66                 | 286927      | Panel - Front Trim (CRS103, L-R) (W/Door Interlock)  | 1    |
| 67                 | 80421       | Panel - Front Trim (CRS103) (W/O Door Interlock)   | 1    |
| 68                 | 80039       | Panel - Rear Trim (CRS103)   | 1    |
| 69                 | SC-53-2     | Mach. Screw 10-24 x 1/2 Truss Hd   | AR   |
| 70                 | 66307       | Spacer - Trim Panel  | AR   |
| 71                 | 75895       | Speed Nut 10-24  | AR   |
|                    | 79437       | Strainer Pan Chute Cover Assy. (Incls. items 13 thru 16)   | 1    |
|                    | 120152-1    | Splash Curtain Assy. (10-C-1) (Incls. items 42 & 43)   | 1    |

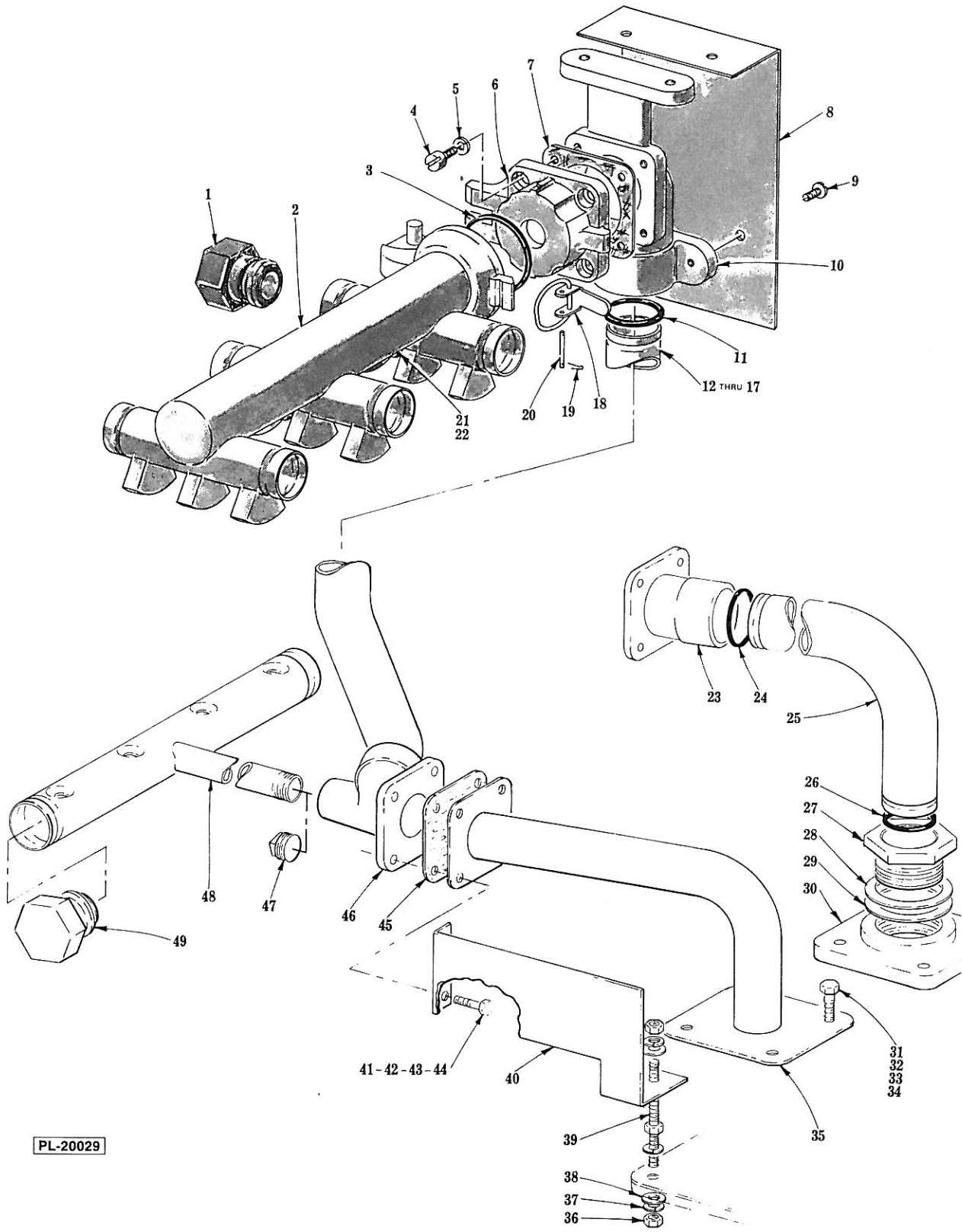


PL-16361

**WASH PIPING**  
**(1/2 H.P. MOTOR)**

**WASH PIPING**  
(1/2 H.P. MOTOR)

| ILLUS.<br>PL-16361 | PART<br>NO. | NAME OF PART <sup>17</sup>                      | AMT. |
|--------------------|-------------|---|------|
| 1                  | 106769      | End Cap - Hex                                   | 6    |
| 2                  | 107977      | Upper Arm Assy. (Incls. items 15 thru 18)       | 1    |
| 3                  | 67500-49    | "O" Ring  | 1    |
| 4                  | SC-24-22    | Mach. Screw 3/8-16 x 7/8 Fil. Hd                | 4    |
| 5                  | WL-6-29     | Lock Washer 3/8 High Collar                     | 4    |
| 6                  | 83084-4     | Hinge - Upper Discharge Connection              | 1    |
| 7                  | 107477      | Gasket - Hinge Casting                          | 1    |
| 8                  | 103790      | Plate - Reinforcement                           | 1    |
| 9                  | SC-53-16    | Mach. Screw 5/16-18 x 5/8 Truss Hd              | 4    |
| 10                 | 107132      | Eil - Upper Wash                                | 1    |
| 11                 | 67500-13    | "O" Ring  | 2    |
| 12                 | 276030      | Lever Bracket & Clamp Assy                      | 1    |
| 13                 | PC-5-25     | Cotter Pin 1/32 x 1/2                           | 2    |
| 14                 | 83076       | Pin - Bracket                                   | 1    |
| 15                 | SC-69-6     | Mach. Screw 1/4-20 x 3/8 Rd. Hd. "Nylok"        | 1    |
| 16                 | NS-154-1    | Full Nut 1/4-20 Hex Fin                         | 1    |
| 17                 | 61521       | Baffle - Wash Pipe                              | 1    |
| 18                 | SC-69-6     | Mach. Screw 1/4-20 x 3/8 Rd. Hd. "Nylok"        | 1    |
| 19                 | 103799      | Tube - Wash (R. to L. Operation)                | 1    |
| 20                 | 103807      | Tube - Wash (L. to R. Operation) (Not Shown)    | 1    |
| 21                 | FP-28-17    | Plug 3/4 Sq. Hd. Pipe                           | 1    |
| 22                 | 68758       | Connection 60° Wash Pipe                        | 1    |
| 23                 | NS-15-11    | Full Nut 5/16-18 Hex Fin                        | 4    |
| 24                 | WL-6-22     | Lock Washer 5/16 Light                          | 4    |
| 25                 | WS-5-32     | Washer  | 4    |
| 26                 | 68819       | Gasket - Wash Pipe Connection                   | 1    |
| 27                 | 68759       | Connection 90° Wash Pipe                        | 1    |
| 28                 | SC-41-15    | Cap Screw 5/16-18 x 1/4 Hex Hd                  | 4    |
| 29                 | 103515      | Tube - Pump Discharge                           | 1    |
| 30                 | 67500-13    | "O" Ring  | 2    |
| 31                 | 105313      | Lower Wash Arm Assy                             | 1    |
| 32                 | 80738       | Pipe Plug & Pin Assy                            | 3    |
| 33                 | 68882       | Nozzle  | 3    |
|                    | 105312      | Lower Wash Arm Assy. (Incls. items 31, 32 & 33) | 1    |
|                    | 107976      | Upper Wash Arm Assy. (Incls. items 1, 2 & 3)    | 1    |

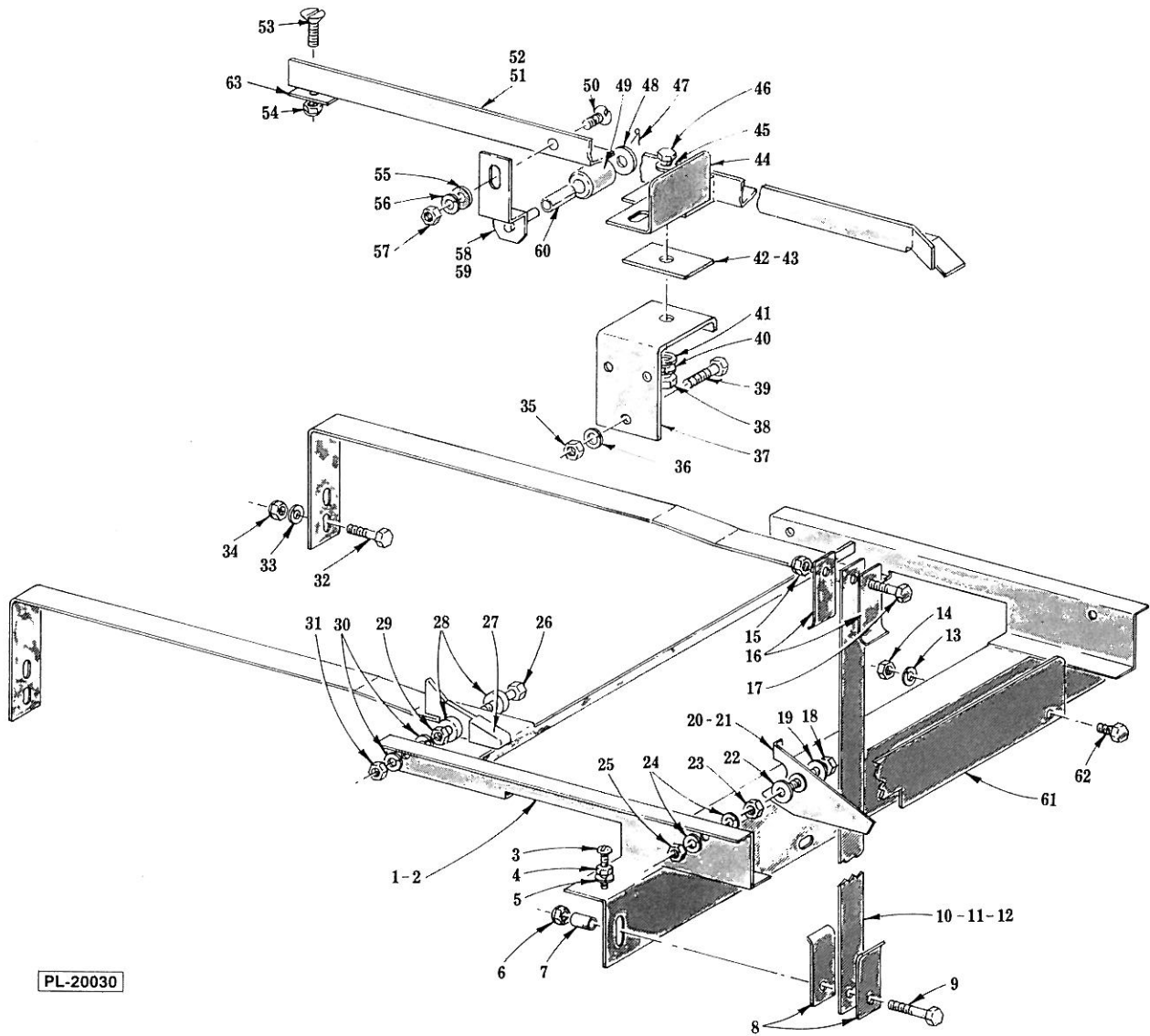


PL-20029

**WASH PIPING  
(1 H.P. MOTOR)**

## WASH PIPING (1 H.P. MOTOR)

| ILLUS.<br>PL-20029 | PART<br>NO. | NAME OF PART <sup>17</sup>                                    | AMT. |
|--------------------|-------------|---|------|
| 1                  | 106769      | End Cap - Hex   | 6    |
| 2                  | 107965      | Upper Arm Assy. (Incls. items 21 & 22)                        | 1    |
| 3                  | 67500-49    | "O" Ring  | 1    |
| 4                  | SC-24-22    | Mach. Screw $\frac{3}{8}$ -16 x $\frac{7}{8}$ Fil. Hd         | 4    |
| 5                  | WL-6-29     | Lock Washer $\frac{3}{8}$ High Collar                         | 4    |
| 6                  | 83084-4     | Hinge - Upper Discharge Connection                            | 1    |
| 7                  | 107477      | Gasket - Hinge Casting  | 1    |
| 8                  | 103790      | Plate - Reinforcement   | 1    |
| 9                  | SC-53-16    | Mach. Screw $\frac{5}{16}$ -18 x $\frac{5}{8}$ Truss Hd       | 4    |
| 10                 | 107132      | Ell - Upper Wash  | 1    |
| 11                 | 76500-13    | "O" Ring  | 2    |
| 12                 | 103799-1    | Tube - Wash (R. to L.) (22 $\frac{5}{16}$ " Door Height)      | 1    |
| 13                 | 103807-1    | Tube - Wash (L. to R.) (22 $\frac{5}{16}$ " Door Height)      | 1    |
| 14                 | 103799-2    | Tube - Wash (R. to L.) (25 $\frac{5}{16}$ " Door Height)      | 1    |
| 15                 | 103807-2    | Tube - Wash (L. to R.) (25 $\frac{5}{16}$ " Door Height)      | 1    |
| 16                 | 103799-3    | Tube - Wash (R. to L.) (28 $\frac{5}{16}$ " Door Height)      | 1    |
| 17                 | 103807-3    | Tube - Wash (L. to R.) (28 $\frac{5}{16}$ " Door Height)      | 1    |
| 18                 | 276030      | Lever Bracket & Clamp Assy                                    | 1    |
| 19                 | PC-5-25     | Cotter Pin $\frac{1}{32}$ x $\frac{1}{2}$                     | 2    |
| 20                 | 83076       | Pin - Bracket   | 1    |
| 21                 | 61521       | Baffle - Wash Pipe  | 2    |
| 22                 | SC-69-6     | Mach. Screw $\frac{1}{4}$ -20 x $\frac{3}{8}$ Rd. Hd. "Nylok" | 2    |
| 23                 | 103818      | Connection 13° Wash Pipe                                      | 1    |
| 24                 | 67500-13    | "O" Ring  | 1    |
| 25                 | 103516      | Tube - Pump Discharge   | 1    |
| 26                 | 67500-13    | "O" Ring  | 1    |
| 27                 | 82645       | Discharge - Pump  | 1    |
| 28                 | 21104       | Washer (SST)  | 1    |
| 29                 | 21105       | Washer (Lead)   | 1    |
| 30                 | 103262      | Flange - Pump   | 1    |
| 31                 | SC-41-34    | Cap Screw $\frac{3}{8}$ -16 x 2 Hex Hd                        | 3    |
| 32                 | WS-6-44     | Washer  | 3    |
| 33                 | WL-6-27     | Lock Washer $\frac{3}{8}$ Light                               | 3    |
| 34                 | NS-15-13    | Full Nut $\frac{3}{8}$ -16 Hex Fin                            | 3    |
| 35                 | 292628      | Pump Discharge Assy   | 1    |
| 36                 | NS-15-13    | Full Nut $\frac{3}{8}$ -16 Hex Fin                            | 4    |
| 37                 | WL-6-27     | Lock Washer $\frac{3}{8}$ Light                               | 2    |
| 38                 | WS-6-44     | Washer  | 3    |
| 39                 | 103821      | Rod - Pump Support  | 1    |
| 40                 | 103820      | Support   | 1    |
| 41                 | SC-41-15    | Cap Screw $\frac{5}{16}$ -18 x 1 $\frac{1}{8}$ Hex Hd         | 4    |
| 42                 | WS-5-32     | Washer  | 4    |
| 43                 | WL-6-22     | Lock Washer $\frac{5}{16}$ Light                              | 4    |
| 44                 | NS-15-11    | Full Nut $\frac{5}{16}$ -18 Hex Fin                           | 4    |
| 45                 | 68819       | Gasket - Wash Pipe Connection                                 | 1    |
| 46                 | 68758       | Connection 60° Wash Pipe                                      | 1    |
| 47                 | FP-28-17    | Plug $\frac{3}{4}$ Sq. Hd. Pipe                               | 1    |
| 48                 | 295167      | Lower Wash Arm Assy. (Incls. item 49)                         | 1    |
| 49                 | 106769      | End Cap   | 3    |
|                    | 107964      | Upper Wash Arm Assy. (Incls. items 1, 2 & 3)                  | 1    |



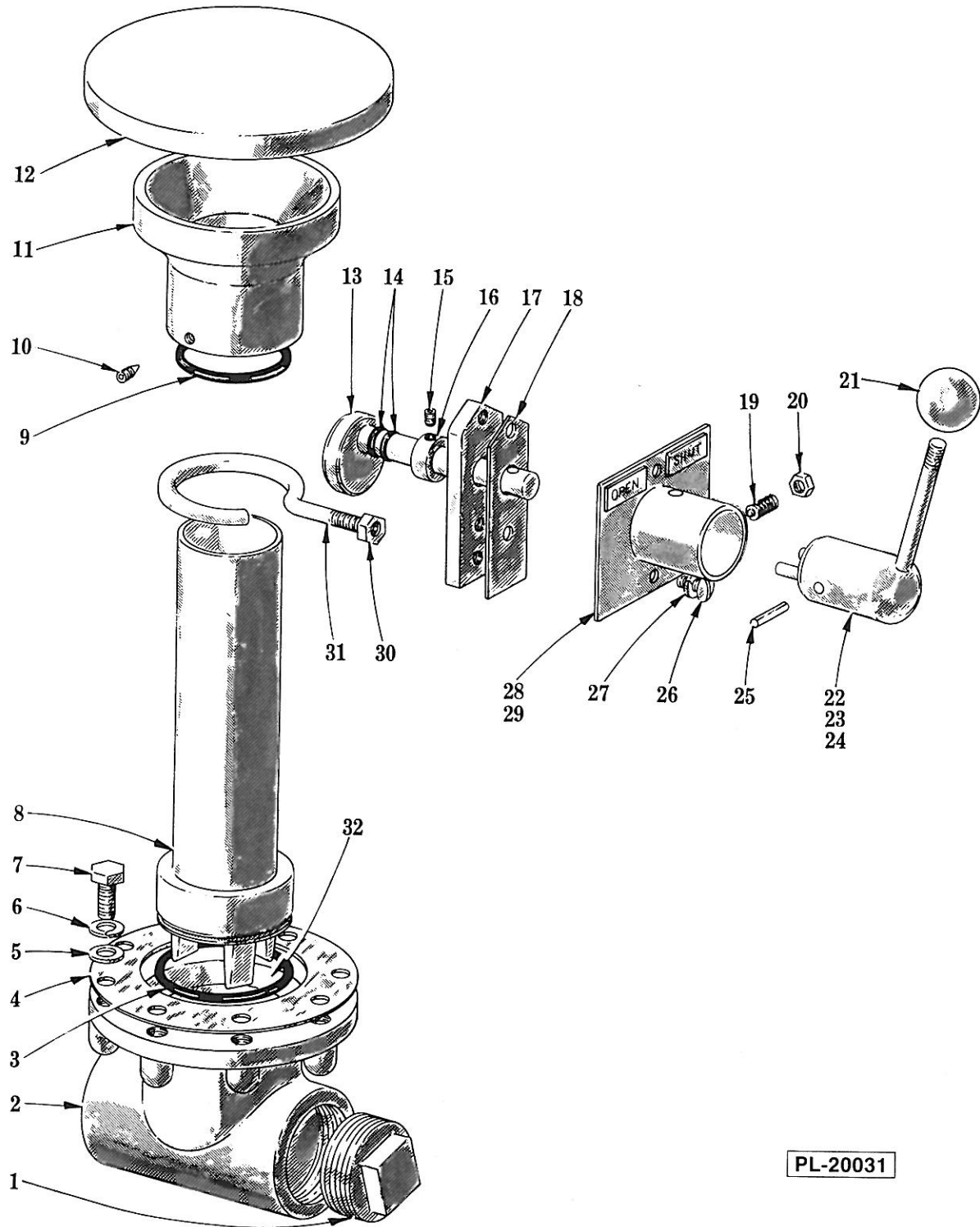
CRADLE AND TRACKS

## CRADLE AND TRACKS

| ILLUS.<br>PL-20030 | PART<br>NO. | NAME OF PART <sup>17</sup>                              | AMT. |
|--------------------|-------------|---|------|
| **1                | 119555-1    | Cradle Assy   | 1    |
| *2                 | 119555-3    | Cradle Assy. (Not Shown)                                | 1    |
| 3                  | SC-21-44    | Mach. Screw 1/4-20 x 1 1/2 Rd. Hd                       | 2    |
| 4                  | NS-15-1     | Full Nut 1/4-20 Hex Fin                                 | 2    |
| 5                  | WL-6-16     | Lock Washer 1/4 Light                                   | 2    |
| 6                  | NS-32-14    | Stop Nut 5/16-18 "Flexloc"                              | 2    |
| 7                  | 65706       | Spacer  | 2    |
| 8                  | 11545       | Support - Suspension Strip                              | 4    |
| 9                  | SC-41-15    | Cap Screw 5/16-18 x 1 1/4 Hex Hd                        | 2    |
| 10                 | 11564-10    | Strip - Cradle Suspension (22 5/16" Door Height)        | 2    |
| 11                 | 11564-11    | Strip - Cradle Suspension (25 5/16" Door Height)        | 2    |
| 12                 | 11564-12    | Strip - Cradle Suspension (28 5/16" Door Height)        | 2    |
| 13                 | WL-6-22     | Lock Washer 5/16 Light                                  | 2    |
| 14                 | NS-15-11    | Full Nut 5/16-18 Hex Fin                                | 2    |
| 15                 | NS-32-14    | Stop Nut 5/16-18 "Flexloc"                              | 2    |
| 16                 | 11545       | Support - Suspension Strip                              | 4    |
| 17                 | SC-41-11    | Cap Screw 5/16-18 x 3/4 Hex Hd                          | 2    |
| 18                 | SC-41-33    | Cap Screw 3/8-16 x 1 3/4 Hex Hd                         | 2    |
| 19                 | WS-18-4     | Washer  | 2    |
| 20                 | 286594      | Dog Assy. (Front, R. to L.; Rear, L. to R.)             | 1    |
| 21                 | 286595      | Dog Assy. (Rear, R. to L.; Front, L. to R.) (Not Shown) | 1    |
| 22                 | WS-18-4     | Washer  | 2    |
| 23                 | NS-15-13    | Full Nut 3/8-16 Hex Fin                                 | 2    |
| 24                 | WL-6-27     | Lock Washer 3/8 Light                                   | 4    |
| 25                 | NS-15-13    | Full Nut 3/8-16 Hex Fin                                 | 2    |
| *26                | SC-41-33    | Cap Screw 3/8-16 x 1 3/4 Hex Hd                         | 2    |
| *27                | 101187-1    | Dog Assy  | 2    |
| *28                | 101494      | Spacer  | 4    |
| *29                | NS-15-13    | Full Nut 3/8-16 Hex Fin                                 | 2    |
| *30                | WL-6-27     | Lock Washer 3/8 Light                                   | 4    |
| *31                | NS-15-13    | Full Nut 3/8-16 Hex Fin                                 | 2    |
| 32                 | SC-41-12    | Cap Screw 5/16-18 x 7/8 Hex Hd                          | 4    |
| 33                 | WS-17-21    | Washer  | 4    |
| 34                 | NS-31-29    | Stop Nut 5/16-18 "Elastic"                              | 4    |
| 35                 | NS-15-11    | Full Nut 5/16-18 Hex Fin                                | 6    |
| 36                 | WL-6-22     | Lock Washer 5/16 Light                                  | 6    |
| 37                 | 103834      | Bracket - Rack Track                                    | 2    |
| 38                 | NS-15-13    | Full Nut 3/8-16 Hex fin                                 | 2    |
| 39                 | SC-41-12    | Cap Screw 5/16-18 x 7/8 Hex Hd                          | 6    |
| 40                 | WL-6-27     | Lock Washer 3/8 Light                                   | 2    |
| 41                 | WS-6-27     | Washer  | 2    |
| 42                 | 103833-1    | Shim - Rack Track (.104" Thk.)                          | AR   |
| 43                 | 103833-2    | Shim - Rack Track (.059" Thk.)                          | AR   |
| 44                 | 107316      | Shield - Splash   | 2    |
| 45                 | WS-6-27     | Washer  | 2    |
| 46                 | SC-41-31    | Cap Screw 3/8-16 x 1 1/4 Hex Hd                         | 2    |
| 47                 | PC-5-11     | Cotter Pin 3/32 x 3/4                                   | 2    |
| 48                 | WS-18-30    | Washer  | 2    |
| 49                 | 79585       | Roller  | 2    |
| 50                 | SC-22-45    | Mach. Screw 5/16-18 x 3/4 Flat Hd                       | 2    |
| 51                 | 288268      | L.H. Rack Track & Support Assy                          | 1    |
| 52                 | 288269      | R.H. Rack Track & Support Assy. (Not Shown)             | 1    |
| 53                 | SC-22-47    | Mach. Screw 5/16-18 x 1 Flat Hd                         | 2    |
| 54                 | NS-31-29    | Stop Nut 5/16-18 "Elastic"                              | 2    |
| 55                 | WS-17-8     | Washer  | 2    |
| 56                 | WL-6-22     | Lock Washer 5/16 Light                                  | 2    |
| 57                 | NS-15-11    | Full Nut 5/16-18 Hex Fin                                | 2    |
| *58                | 120042      | Roller Support Assy                                     | 2    |
| *59                | 75629       | Roller Support Assy                                     | 2    |
| 60                 | 79586       | Bushing - Roller  | 2    |
| 61                 | 79141       | Deflector - Cradle End Water                            | 1    |
| 62                 | SC-41-10    | Cap Screw 5/16-18 x 5/8 Hex Hd                          | 2    |
| 63                 | 79359       | Spacer - Rack Support                                   | 2    |

\*Use with 10" x 20", 14" x 20", 16" x 20" &amp; 20" x 20" Racks.

\*\*Use with 20" x 20" Racks.



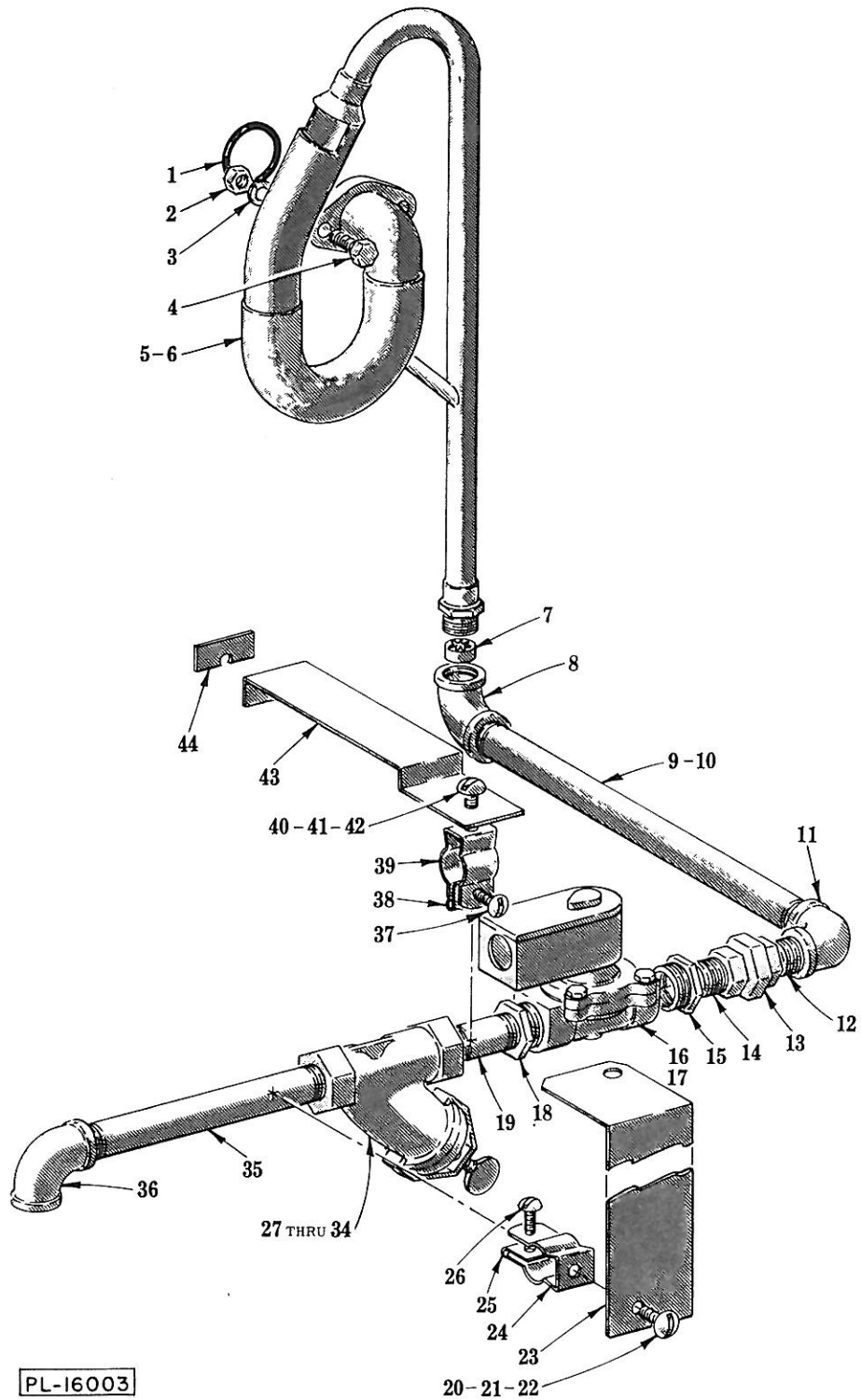
PL-20031

DRAIN AND OVERFLOW UNIT

## DRAIN AND OVERFLOW UNIT

| ILLUS.<br>PL-20031 | PART<br>NO. | NAME OF PART <sup>17</sup>                                 | AMT. |
|--------------------|-------------|--|------|
| 1                  | FP-28-32    | Plug - 2" Sq. Hd. Pipe                                     | 1    |
| 2                  | 107164      | Drain Valve Body & Sleeve Assy. (Incls. item 32)           | 1    |
| 3                  | 67500-16    | "O" Ring   | 1    |
| 4                  | 12077       | Gasket - Drain Valve                                       | 1    |
| 5                  | WS-6-44     | Washer   | 8    |
| 6                  | WL-6-27     | Lock Washer $\frac{3}{8}$ " Light                          | 8    |
| 7                  | SC-41-28    | Cap Screw $\frac{3}{8}$ -16 x $\frac{3}{4}$ Hex Hd         | 8    |
| 8                  | 81953       | Overflow Pipe, Drain Plug & "O" Ring Assy. (Incls. item 3) | 1    |
| 9                  | 67500-22    | "O" Ring   | 1    |
| 10                 | SC-50-27    | Set Screw 10-24 x $\frac{1}{2}$ Sq. Hd., Cup Pt            | 3    |
| 11                 | 88263       | Drain Overflow & "O" Ring Assy. (Incls. items 9 & 10)      | 1    |
| 12                 | 185765      | Overflow Cover Assy  | 1    |
| 13                 | 77464-1     | Drain Lift Cam & Shaft Assy                                | 1    |
| 14                 | 67500-6     | "O" Ring   | 2    |
| 15                 | SC-50-26    | Set Screw 10-24 x $\frac{3}{8}$ Sq. Hd., Cup Pt            | 1    |
| 16                 | 77461       | Collar - Adjusting   | 1    |
| 17                 | 74088       | Bracket - Drain Support                                    | 1    |
| 18                 | 74044       | Gasket - Drain Support Bracket                             | 1    |
| *19                | 87297       | Drain Shaft Lock Assy. ( $\frac{3}{8}$ " )                 | 1    |
| *20                | NS-18-14    | Jam Nut $\frac{3}{8}$ -16 Hex Fin                          | 1    |
| 21                 | 60468       | Knob   | 1    |
| 22                 | 77462       | Drain Lift Hub, Handle & Bushing Assy. (W/O Auto Fill)     | 1    |
| *23                | 82335       | Drain Lift Hub, Handle & Bushing Assy. (L. to R.)          | 1    |
| *24                | 105139      | Drain Lift Hub, Handle & Bushing Assy. (R. to L.)          | 1    |
| 25                 | RP-2-3      | Rollpin $\frac{3}{16}$ Dia. x 1 $\frac{1}{4}$ Lg           | 1    |
| 26                 | SC-53-16    | Mach. Screw $\frac{5}{16}$ -18 x $\frac{5}{8}$ Truss Hd    | 2    |
| 27                 | WL-6-22     | Lock Washer $\frac{5}{16}$ " Light                         | 2    |
| 28                 | 88294       | Drain Stop & Identification Plate Assy. (W/O Auto Fill)    | 1    |
| *29                | 112809      | Drain Stop & Identification Plate Assy                     | 1    |
| 30                 | NS-15-11    | Full Nut $\frac{5}{16}$ -18 Hex Fin                        | 1    |
| 31                 | 77457       | Support - Drain Pipe                                       | 1    |
| 32                 | 106283      | Sleeve - Drain Valve Body                                  | 1    |

\*Use with Automatic Fill Machine.



PL-16003

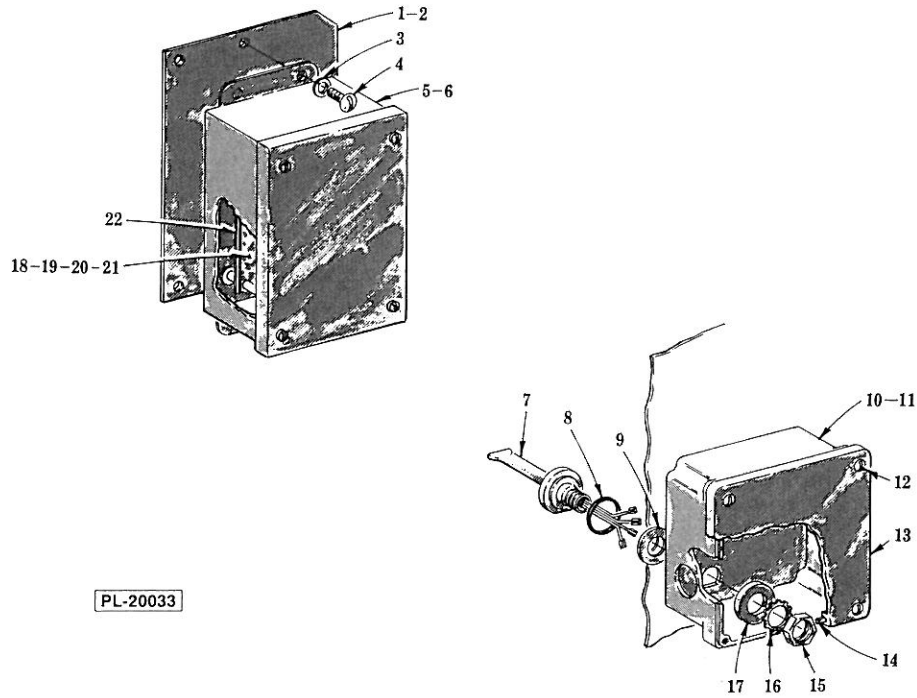
TEMPERATURE CONTROL (PIPING)

## TEMPERATURE CONTROL (PIPING)

| ILLUS.<br>PL-16003 | PART<br>NO. | NAME OF PART <sup>17</sup>  | AMT. |
|--------------------|-------------|---|------|
| 1                  | 67500-12    | "O" Ring  | 1    |
| 2                  | NS-15-11    | Full Nut 5/16-18 Hex Fin  | 2    |
| 3                  | WL-6-22     | Lock Washer 5/16 Light  | 2    |
| 4                  | SC-41-12    | Cap Screw 5/16-18 x 7/8 Hex Hd                                      | 2    |
| 5                  | 89446       | Fill Piping Assy. (R. to L.)  | 1    |
| 6                  | 89448       | Fill Piping Assy. (L. to R.) (Not Shown)                            | 1    |
| 7                  | 60566       | Spring - Anti-Splash  | 1    |
| 8                  | FP-15-16    | Elbow - 1/2 x 90°   | 1    |
| *9                 | FP-40-88    | Nipple - 1/2 x 6 Lg. (T.B.E.)                                       | 1    |
| **10               | FP-41-10    | Nipple - 1/2 x 9 3/4 Lg. (T.B.E.)                                   | 1    |
| 11                 | FP-15-16    | Elbow - 1/2 x 90°   | 1    |
| 12                 | FP-40-42    | Nipple - 1/2 x 1 1/8 Lg. (T.B.E.)                                   | 1    |
| 13                 | FP-22-12    | Union - 1/2 (Grd. Seat)   | 1    |
| 14                 | FP-40-42    | Nipple - 1/2 x 1 1/8 Lg. (T.B.E.)                                   | 1    |
| 15                 | FP-27-22    | Bushing - 3/4 to 1/2 Hex Reducing                                   | 1    |
| 16                 | 89445-1     | Valve - 3/4" Solenoid (115 V., 50/60 Hz.) (Pilot Circuit)           | 1    |
| 17                 | 89445-2     | Valve - 3/4" Solenoid (200-240 V., 60 Hz.; 220 V., 50 Hz.)          | 1    |
| 18                 | FP-27-22    | Bushing - 3/4 to 1/2 Hex Reducing                                   | 1    |
| 19                 | FP-40-52    | Nipple - 1/2 x 2 1/4 Lg. (T.B.E.)                                   | 1    |
| **20               | SC-8-68     | Mach. Screw 1/4-20 x 1/2 Rd. Hd                                     | 1    |
| **21               | WL-3-36     | Lock Washer 1/4 Light   | 1    |
| **22               | NS-13-1     | Full Nut 1/4-20 Hex Fin   | 1    |
| **23               | 118881      | Support - Pipe  | 1    |
| **24               | 62271       | Hanger (Size 0)   | 1    |
| **25               | 74348       | Speed Nut 10-24   | 1    |
| **26               | SC-60-85    | Mach. Screw 10-24 x 1 Rd. Hd  | 1    |
| 27                 | 82227       | Line Strainer (1/2") (Cast Iron) (Incls. items 29, 30, 31, 33 & 34) | 1    |
| 28                 | 102515      | Line Strainer (1/2") (Brass) (Incls. items 29, 30, 32, 33 & 34)     | 1    |
| 29                 | 82238       | Thumb Screw   | 1    |
| 30                 | 82236       | Clamp (1/2" Line Strainer)  | 1    |
| 31                 | 82233       | Plate - Seal (1/2" Line Strainer) (Use with item 27)                | 1    |
| 32                 | 102518      | Plate - Seal (1/2" Line Strainer) (Use with item 28)                | 1    |
| 33                 | 67500-59    | "O" Ring  | 1    |
| 34                 | 82230       | Screen (1/2" Line Strainer)   | 1    |
| 35                 | FP-40-94    | Nipple 1/2 x 6 5/8 Lg. (T.B.E.)                                     | 1    |
| 36                 | FP-15-16    | Elbow 1/2 x 90°   | 1    |
| *37                | SC-60-85    | Mach. Screw 10-24 x 1 Rd. Hd.                                       | 1    |
| *38                | 74348       | Speed Nut 10-24   | 1    |
| *39                | 62271       | Hanger (Size 0)   | 1    |
| *40                | SC-8-68     | Mach. Screw 1/4-20 x 1/2 Rd. Hd                                     | 1    |
| *41                | WL-3-36     | Lock Washer 1/4 Light   | 1    |
| *42                | NS-13-1     | Full Nut 1/4-20 Hex Fin   | 1    |
| *43                | 103897      | Support - Piping  | 1    |
| *44                | 120161      | Spacer - Support  | 1    |
|                    | 104365-1    | Coil - Solenoid Valve (115 V., 50/60 Hz.) (Pilot Circuit)           | 1    |
|                    | 104365-2    | Coil - Solenoid Valve (200-240 V., 60 Hz.; 220 V., 50 Hz.)          | 1    |
|                    | 104354      | Solenoid Valve Kit  | 1    |

\*1/2 H.P. Motor.

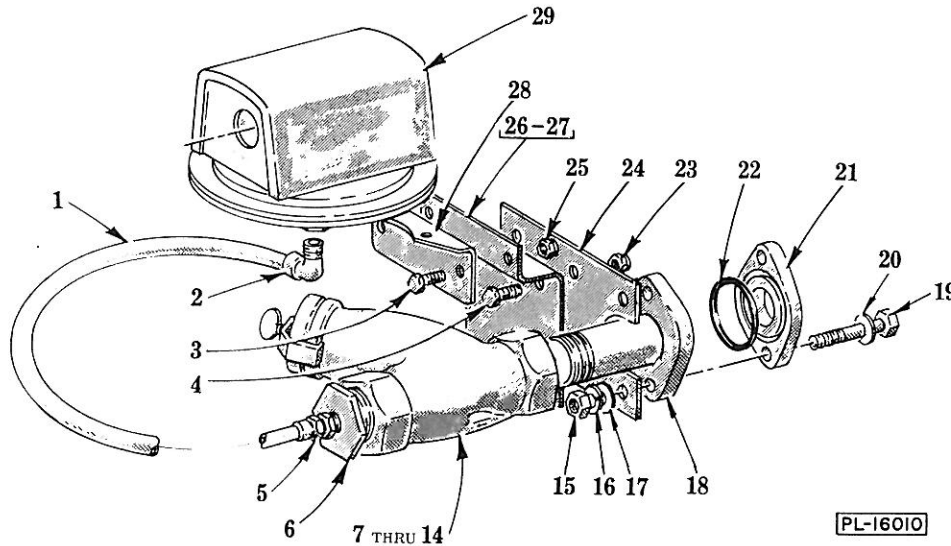
\*\*1 H.P. Motor.



TEMPERATURE CONTROL (ELECTRICAL)

| ILLUS.<br>PL-20033 | PART<br>NO. | NAME OF PART <sup>17</sup>  | AMT. |
|--------------------|-------------|---|------|
| *1                 | 103898-1    | Bracket & Weld Nut Assy   | 1    |
| **2                | 103898-3    | Bracket & Weld Nut Assy. (Not Shown)                              | 1    |
| 3                  | WL-3-36     | Lock Washer ¼ Light   | 4    |
| 4                  | SC-8-81     | Mach. Screw ¼-20 x ½ Rd. Hd                                       | 4    |
| *5                 | 118537-4    | Box - Thermostat  | 1    |
| **6                | 118537-1    | Box - Thermostat (Not Shown)                                      | 1    |
| 7                  | 119270      | Probe & Switch Assy   | 1    |
| 8                  | 67500-72    | "O" Ring  | 1    |
| 9                  | 111942      | Gasket - Probe  | 1    |
| 10                 | 288474-2    | Junction Box & Terminal Assy. (R. to L.)                          | 1    |
| 11                 | 288474-3    | Junction Box & Terminal Assy. (Not Shown) (L. to R.)              | 1    |
| 12                 | SD-12-20    | Self-Tapping Screw 8 x ½ Phil. Truss Hd., Type 23                 | 4    |
| 13                 | 288465      | Lid & Gasket Assy. (Incls. item 14)                               | 1    |
| 14                 | 112007      | Gasket (Lid)  | 1    |
| 15                 | NS-18-28    | Jam Nut ½-20 Hex Fin  | 1    |
| 16                 | WL-14-31    | Lock Washer ½ Ext. Shakeproof                                     | 1    |
| 17                 | WS-10-40    | Washer - Thrust   | 1    |
| 18                 | 294099-1    | Solid State Thermostat Assy. (115 V., 50/60 Hz.) (Pilot Circuit)  | 1    |
| 19                 | 294099-2    | Solid State Thermostat Assy. (200-240 V., 60 Hz.; 220 V., 50 Hz.) | 1    |
| 20                 | SC-98-7     | Mach. Screw 4-40 x 1¾ Rd. Hd                                      | 3    |
| 21                 | WS-28-12    | Washer  | 3    |
| 22                 | 118227      | Plate - Thermostat Mounting                                       | 1    |

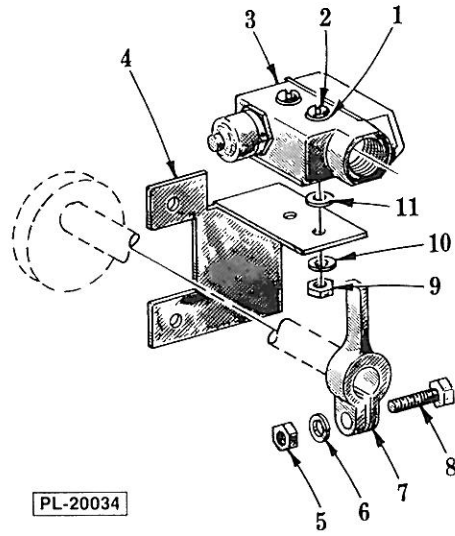
\*R. to L. Operation.  
 \*\*L. to R. Operation.



PL-16010

**AUTOMATIC FILL (PRESSURE SWITCH)**

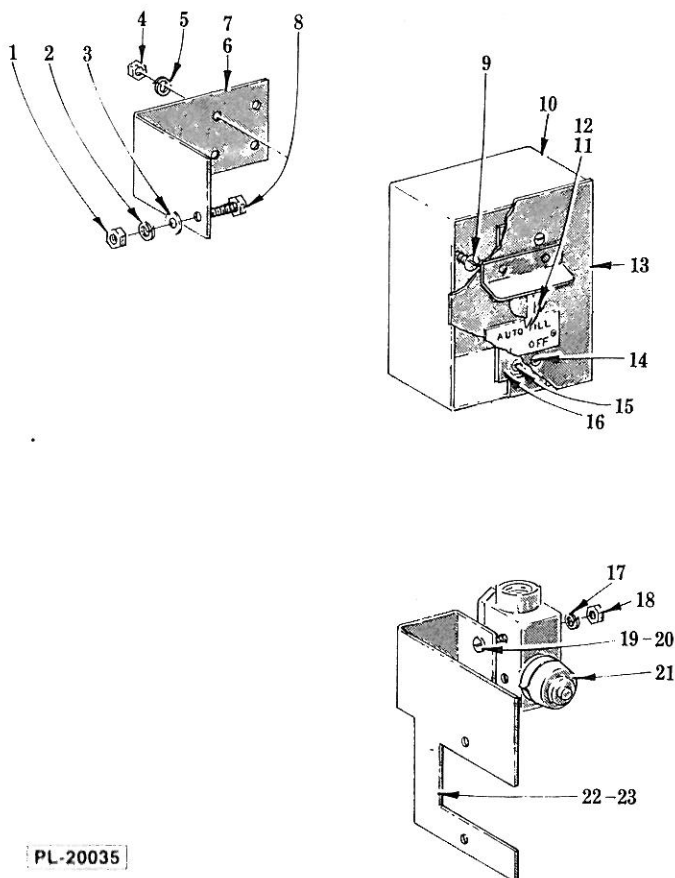
| ILLUS.<br>PL-16010 | PART<br>NO. | NAME OF PART-17  | AMT. |
|--------------------|-------------|--|------|
| 1                  | 102640      | Tube 1/4" O.D. x 18" Lg  | 1    |
| 2                  | 102639      | Elbow 90° Male (1/4" Pipe Thd. x 1/4" Tube)                        | 1    |
| 3                  | SC-67-6     | Mach. Screw 10-24 x 1/2 Trimmed Hex Hd                             | 2    |
| 4                  | SC-41-5     | Cap Screw 1/4-20 x 5/8 Hex Hd                                      | 3    |
| 5                  | 112389      | Connector - Straight Male (1/4" Pipe Thd. x 1/4" Tube)             | 1    |
| 6                  | FP-27-15    | Bushing 3/4 to 1/4 Hex Reducing                                    | 1    |
| 7                  | 82228       | Line Strainer (3/4") (Cast Iron) (Incls. items 9, 10, 12, 13 & 14) | 1    |
| 8                  | 102516      | Line Strainer (3/4") (Brass) (Incls. items 9, 11, 12, 13 & 14)     | 1    |
| 9                  | 82231       | Screen (3/4" Line Strainer)  | 1    |
| 10                 | 82234       | Plate - Seal (3/4" Line Strainer) (Use with item 7)                | 1    |
| 11                 | 102517      | Plate - Seal (3/4" Line Strainer) (Use with item 8)                | 1    |
| 12                 | 82236       | Clamp (3/4" Line Strainer)   | 1    |
| 13                 | 82238       | Thumb Screw  | 1    |
| 14                 | 67500-59    | "O" Ring (3/4" Line Strainer)                                      | 1    |
| 15                 | NS-15-11    | Full Nut 5/16-18 Hex Fin   | 2    |
| 16                 | WL-6-22     | Lock Washer 5/16 Light   | 2    |
| 17                 | WS-5-32     | Washer   | 2    |
| 18                 | 63262-8     | Flange - Nipple Assy   | 1    |
| 19                 | SC-41-17    | Cap Screw 5/16-18 x 1 1/2 Hex Hd                                   | 2    |
| 20                 | WS-5-32     | Washer   | 2    |
| 21                 | 21358-6     | Flange   | 1    |
| 22                 | 67500-12    | "O" Ring   | 2    |
| 23                 | NS-31-19    | Stop Nut 1/4-20 "Elastic"  | 3    |
| 24                 | 102626      | Bracket - Flange   | 1    |
| 25                 | NS-31-15    | Stop Nut 10-24 "Elastic"   | 2    |
| 26                 | 117005      | Support - Bracket (R. to L.)                                       | 1    |
| 27                 | 117007      | Support - Bracket (L. to R.) (Not Shown)                           | 1    |
| 28                 | 102638      | Bracket - Pressure Switch  | 1    |
| 29                 | 74627       | Switch - Pressure  | 1    |



PL-20034

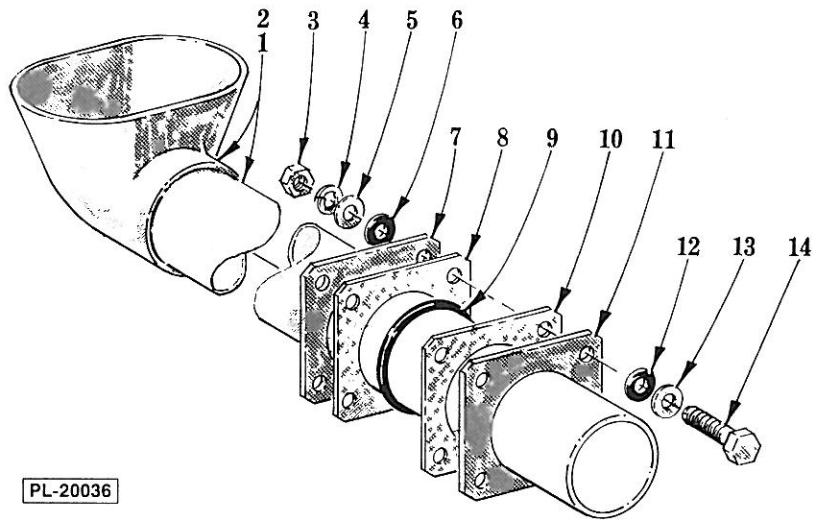
**AUTOMATIC FILL (SWITCH ARM)**

| ILLUS.<br>PL-20034 | PART<br>NO. | NAME OF PART <sup>17</sup>                     | AMT. |
|--------------------|-------------|--|------|
| 1                  | WS-2-6      | Washer   | 2    |
| 2                  | SC-27-24    | Mach. Screw 6-32 x 1 1/2 Rd. Hd                | 2    |
| 3                  | 87711-60-1  | Switch - Interlock (Incls. items 1, 2, 9 & 11) | 1    |
| 4                  | 82005       | Bracket - Interlock Switch                     | 1    |
| 5                  | NS-15-1     | Full Nut 1/4-20 Hex Fin                        | 1    |
| 6                  | WL-6-16     | Lock Washer 1/4 Light                          | 1    |
| 7                  | 82007       | Arm - Switch                                   | 1    |
| 8                  | SC-41-2     | Cap Screw 1/4-20 x 1 Hex Hd                    | 1    |
| 9                  | NS-10-6     | Mach. Nut 6-32 Hex                             | 2    |
| 10                 | WL-6-40     | Lock Washer 6 Light                            | 2    |
| 11                 | WS-2-6      | Washer   | 2    |



**AUTOMATIC FILL (ROTARY SWITCH)  
(CRS66 & CRS76)**

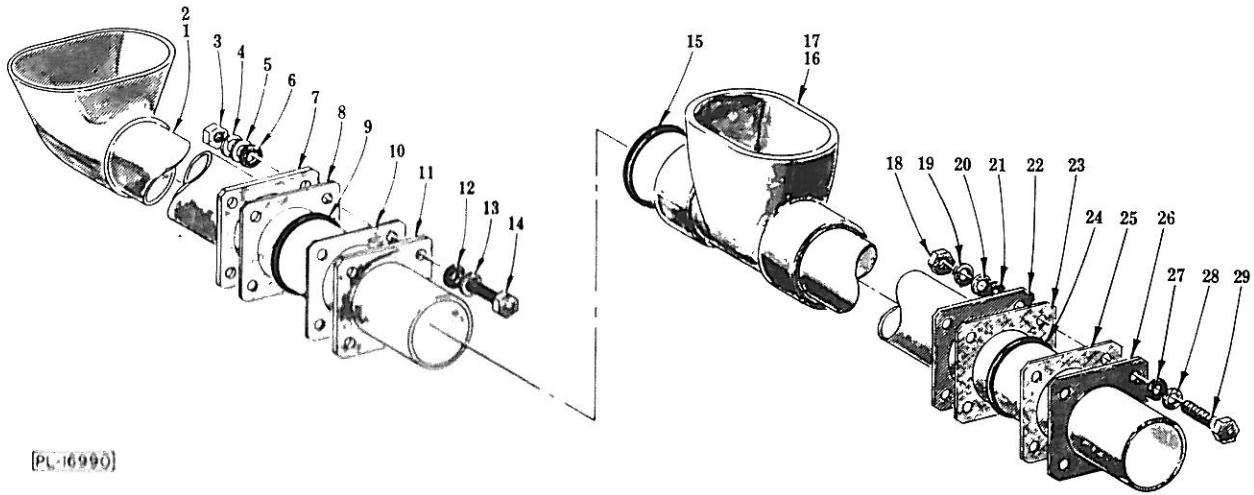
| ILLUS.<br>PL-20035 | PART<br>NO. | NAME OF PART <sup>17</sup>                    | AMT. |
|--------------------|-------------|---|------|
| 1                  | NS-15-11    | Full Nut 5/16-18 Hex Fin                      | 2    |
| 2                  | WL-6-22     | Lock Washer 5/16 Light                        | 2    |
| 3                  | WS-5-32     | Washer  | 2    |
| 4                  | NS-9-22     | Mach. Nut 10-24 Hex                           | 2    |
| 5                  | WL-3-20     | Lock Washer 10 Light                          | 2    |
| 6                  | 74713       | Bracket - Switch Box Mounting (1 Phase)       | 1    |
| 7                  | 114208      | Bracket - Switch Box Mounting (3 Phase)       | 1    |
| 8                  | SC-41-11    | Cap Screw 5/16-18 x 3/4 Hex Hd                | 2    |
| 9                  | SC-9-25     | Mach. Screw 10-24 x 5/8 Rd. Hd                | 2    |
| 10                 | 77092       | Switch Box Assy                               | 1    |
| 11                 | 82357       | Rotary Switch & Knob Assy. (Incls. item 12)   | 1    |
| 12                 | 288758      | Knob - Rotary Switch                          | 1    |
| 13                 | 82943       | Switch Box Cover & Auto. Fill Plate Assy      | 1    |
| 14                 | SC-14-66    | Mach. Screw 6-32 x 5/16 Flat Hd               | 2    |
| 15                 | SC-14-66    | Mach. Screw 6-32 x 5/16 Flat Hd               | 2    |
| 16                 | 82002       | Bracket - Switch                              | 1    |
| 17                 | WL-6-40     | Lock Washer 6 Light                           | 2    |
| 18                 | NS-10-6     | Mach. Nut 6-32 Hex                            | 2    |
| 19                 | SC-27-24    | Mach. Screw 6-32 x 1 1/2 Rd. Hd               | 2    |
| 20                 | WS-2-6      | Washer  | 4    |
| 21                 | 87711-60-1  | Switch - Interlock (Incls. items 18, 19 & 20) | 1    |
| 22                 | 105138      | Bracket - Interlock Switch (R. to L.)         | 1    |
| 23                 | 82336       | Bracket - Interlock Switch (L. to R.)         | 1    |



PL-20036

**FLOWBACK PIPING  
(CRS66 & CRS76)**

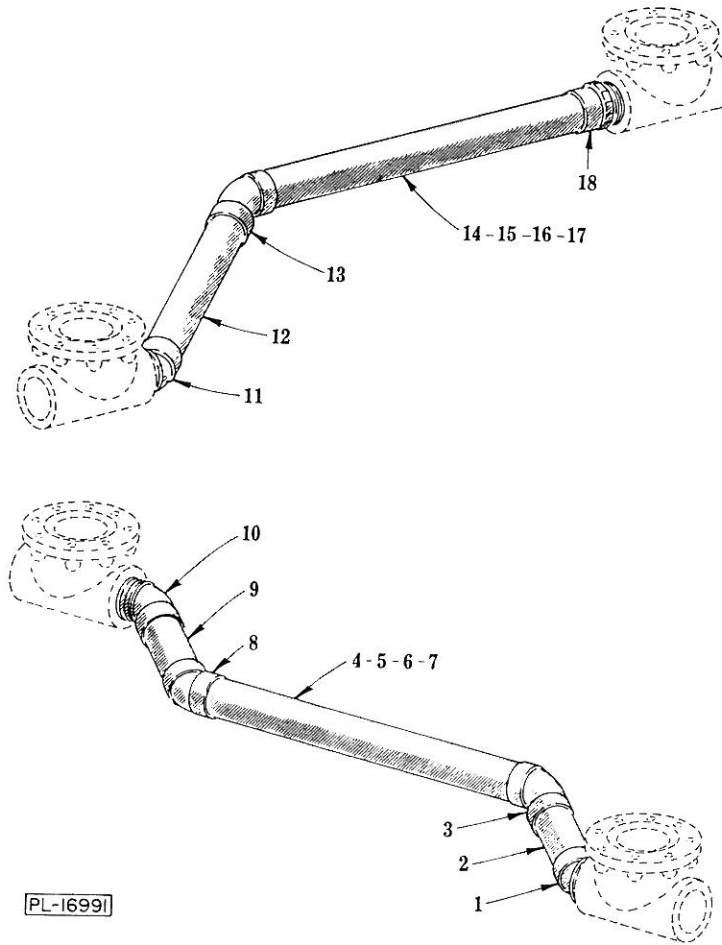
| ILLUS.<br>PL-20036 | PART<br>NO. | NAME OF PART <sup>17</sup>       | AMT. |
|--------------------|-------------|----------------------------------|------|
| 1                  | 288628      | Overflow Tube Assy. (CRS66)      | 1    |
| 2                  | 79032-2     | Overflow Tube Assy. (CRS76)      | 1    |
| 3                  | NS-15-11    | Full Nut 5/16-18 Hex Fin         | 8    |
| 4                  | WL-6-22     | Lock Washer 5/16 Light           | 8    |
| 5                  | WS-17-21    | Washer                           | 8    |
| 6                  | 508454      | Sealer (1/8" Rd.)                | AR   |
| 7                  | 120115      | Retainer - Seal                  | 2    |
| 8                  | 120603      | Gasket                           | 2    |
| 9                  | 77621-2     | Ring - Sealing                   | 2    |
| 10                 | 120603      | Gasket                           | 2    |
| 11                 | 120115      | Retainer - Seal                  | 2    |
| 12                 | 508454      | Sealer (1/8" Rd.)                | AR   |
| 13                 | WS-17-21    | Washer                           | 8    |
| 14                 | SC-41-14    | Cap Screw 5/16-18 x 1 1/8 Hex Hd | 8    |



[PL-16990]

**FLOWBACK PIPING  
(CRS86 & CRS103)**

| ILLUS.<br>PL-16990 | PART<br>NO. | NAME OF PART <sup>17</sup>              | AMT. |
|--------------------|-------------|---|------|
|                    | 1           | Rinse Tank Overflow Tube Assy. (CRS86)  | 1    |
|                    | 2           | Rinse Tank Overflow Tube Assy. (CRS103) | 1    |
|                    | 3           | Full Nut 1/16-18 Hex Fin                | 4    |
|                    | 4           | Lock Washer 1/16 Light                  | 4    |
|                    | 5           | Washer                                  | 4    |
|                    | 6           | Sealer (1/8" Rd.)                       | AR   |
|                    | 7           | Retainer - Seal                         | 1    |
|                    | 8           | Gasket                                  | 1    |
|                    | 9           | Ring - Sealing                          | 1    |
|                    | 10          | Gasket                                  | 1    |
|                    | 11          | Retainer - Seal                         | 1    |
|                    | 12          | Sealer (1/8" Rd.)                       | 4    |
|                    | 13          | Washer                                  | 4    |
|                    | 14          | Cap Screw 1/16-18 x 1 1/8 Hex Hd        | 4    |
|                    | 15          | "O" Ring                                | 2    |
|                    | 16          | Wash Tank Overflow Tube Assy. (CRS86)   | 1    |
|                    | 17          | Wash Tank Overflow Tube Assy. (CRS103)  | 1    |
|                    | 18          | Full Nut 1/16-18 Hex Fin                | 8    |
|                    | 19          | Lock Washer 1/16 Light                  | 8    |
|                    | 20          | Washer                                  | 8    |
|                    | 21          | Sealer (1/8" Rd.)                       | AR   |
|                    | 22          | Retainer - Seal                         | 2    |
|                    | 23          | Gasket                                  | 2    |
|                    | 24          | Ring - Sealing                          | 2    |
|                    | 25          | Gasket                                  | 2    |
|                    | 26          | Retainer - Seal                         | 2    |
|                    | 27          | Sealer (1/8" Rd.)                       | AR   |
|                    | 28          | Washer                                  | 8    |
|                    | 29          | Cap Screw 1/16-18 x 1 1/8 Hex Hd        | 8    |



**COMMON DRAIN**

| ILLUS.<br>PL-1699I | PART<br>NO. | NAME OF PART <sup>17</sup>                                | AMT. |
|--------------------|-------------|---|------|
| *1                 | 79896       | Elbow 45° (2" Tube x 2" Male Pipe)                        | 1    |
| *2                 | 79969-31    | Tube 2" x 6 <sup>1</sup> / <sub>4</sub> " Lg              | 1    |
| *3                 | 79894       | Elbow 45° (2" Tube x 2" Tube)                             | 1    |
| *4                 | 79969-103   | Tube 2" x 20 <sup>11</sup> / <sub>16</sub> " Lg. (CRS86)  | 1    |
| *5                 | 79969-104   | Tube 2" x 25 <sup>11</sup> / <sub>16</sub> " Lg. (CRS76)  | 1    |
| *6                 | 79969-105   | Tube 2" x 20 <sup>11</sup> / <sub>16</sub> " Lg. (CRS66)  | 1    |
| *7                 | 79969-43    | Tube 2" x 18 <sup>11</sup> / <sub>16</sub> " Lg. (CRS103) | 1    |
| *8                 | 79894       | Elbow 45° (2" Tube x 2" Tube)                             | 1    |
| *9                 | 79969-91    | Tube 2" x 5 <sup>3</sup> / <sub>8</sub> " Lg              | 1    |
| *10                | 79896       | Elbow 45° (2" Tube x 2" Male Pipe)                        | 1    |
| **11               | 79896       | Elbow 45° (2" Tube x 2" Male Pipe)                        | 1    |
| **12               | 79969-6     | Tube 2" x 13 <sup>1</sup> / <sub>4</sub> " Lg             | 1    |
| **13               | 79894       | Elbow 45° (2" Tube x 2" Tube)                             | 1    |
| **14               | 79969-5     | Tube 2" x 21 <sup>7</sup> / <sub>8</sub> " Lg. (CRS86)    | 1    |
| **15               | 79969-10    | Tube 2" x 20" (CRS103)                                    | 1    |
| **16               | 79969-7     | Tube 2" x 21 <sup>7</sup> / <sub>8</sub> " Lg. (CRS66)    | 1    |
| **17               | 79969-12    | Tube 2" x 26 <sup>13</sup> / <sub>16</sub> " Lg. (CRS76)  | 1    |
| **18               | 78956       | Adapter - Male (2" Tube x 2" Male Pipe)                   | 1    |

\*R. to L. Operation.  
\*\*L. to R. Operation.