

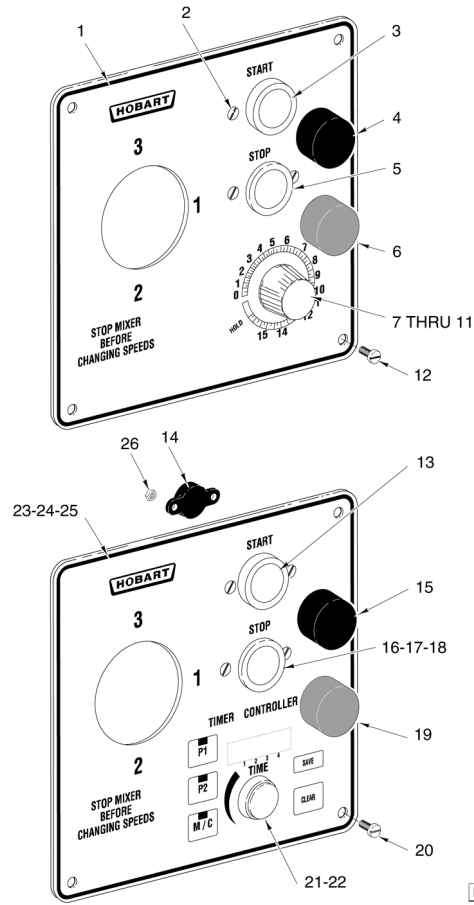


**CATALOG OF
REPLACEMENT
PARTS**

D330 Series Mixers ML- 104481

Table of Contents

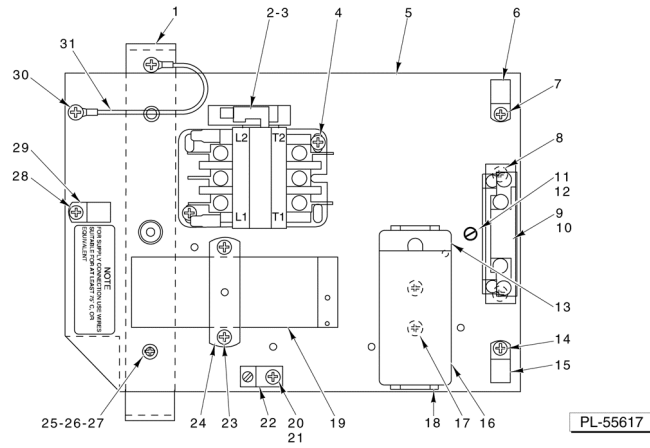
5	TIMER CONTROL AND SWITCH UNIT
7	ELECTRICAL COMPONENT PANEL - 1 PHASE
9	ELECTRICAL COMPONENT PANEL - 3 PHASE
11	BASE AND PEDESTAL
13	SHIFTER UNIT
15	TRANSMISSION CASE
17	MOTOR PARTS - 1 PHASE
19	MOTOR PARTS - 3 PHASE
21	TRANSMISSION
23	PLANETARY AND ATTACHMENT HUB
25	BOWL GUARD UNIT
27	BOWL LIFT UNIT
29	BOWL
31	AGITATORS



TIMER CONTROL AND SWITCH UNIT

TIMER CONTROL AND SWITCH UNIT

ILLUS. PL-51512	PART NO.	NAME OF PART	AMT.
1	00-271312	Plate - Switch & Timer.....	1
2	SC-013-12	Mach. Screw 6-32 x 1/4 Flat Hd.....	4
3	00-087711-183-4	Switch - Push Button (N.O.).....	1
4	00-102467-00001	Cap - Push Button (Start) (Black).....	1
5	00-087711-183-2	Switch - Push Button (N.C.).....	1
6	00-102467-00002	Cap - Push Button (Stop) (Red).....	1
7	00-291748	Knob - Timer.....	1
8	00-294650-004-1	Timer Assy. (115 V., 60 Hz.).....	1
9	00-294650-004-2	Timer Assy. (200/300 V., 60 Hz.).....	1
10	00-271313	Insulator - Timer.....	1
11	SC-013-07	Mach. Screw 5-40 x 1/4 Flat Hd.....	2
12	SD-024-01	Self-Tapping Screw 10-24 x 3/8 Pan Hd., Type TT.....	4
13	00-087711-183-4	Switch - Push Button (N.O.).....	1
14	00-438488	NLA - Obsolete--Buzzer.....	1
15	00-102467-00001	Cap - Push Button (Start) (Black).....	1
16	SC-053-38	Mach. Screw 6-32 x 1/4 Truss Hd. (SST).....	4
17	00-087711-183-2	Switch - Push Button (N.C.).....	1
18	00-087711-183-3	Switch - Push Button (N.C.).....	1
19	00-102467-00002	Cap - Push Button (Stop) (Red).....	1
20	SD-024-01	Self-Tapping Screw 10-24 x 3/8 Pan Hd., Type TT.....	4
21	00-437775	Knob - Potentiometer.....	1
22	00-437742	Seal - Shaft.....	1
23	00-438323-00001	Switch Plate & Keypad Assy. (120 VAC).....	1
24	00-438355-00001	NLA - Obsolete--Board Assy. (120 VAC).....	1
25	00-438355-00002	NLA - Obsolete--Board Assy. (240 VAC).....	1
26	NS-046-17	Stop Nut 4-40 Hex.....	2

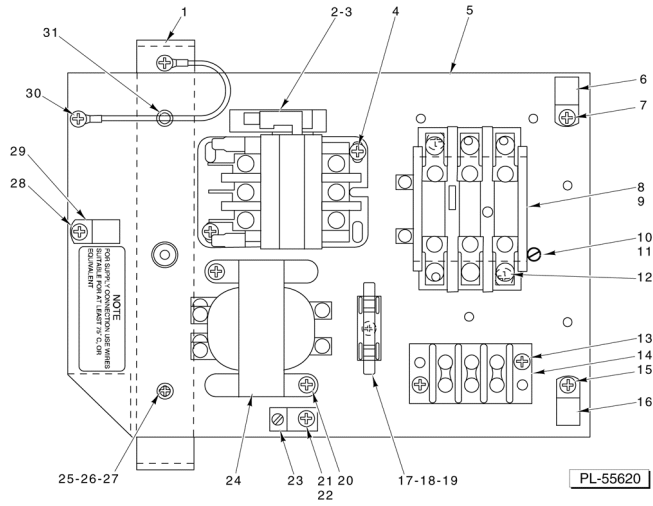


ELECTRICAL COMPONENT PANEL - 1 PHASE

ELECTRICAL COMPONENT PANEL - 1 PHASE

ILLUS.	PART NO.	NAME OF PART	AMT.
PL-55617			
1	00-274031	Bracket - Support (Component Panel).....	1
2	00-087713-037-1	Contacto (220 V. Coil) (2 Pole).....	1
3	00-087713-037-2	Contacto (115 V. Coil) (2 Pole).....	1
4	SD-015-20	Self-Tapping Screw 10-32 x 3/8 Phil. Pan Hd., Type TT.....	2
5	00-274027	Panel - Component Mounting.....	1
6	00-078752-00009	Clamp - Cable.....	1
7	SD-015-20	Self-Tapping Screw 10-32 x 3/8 Phil. Pan Hd., Type TT.....	1
8	SD-015-20	Self-Tapping Screw 10-32 x 3/8 Phil. Pan Hd., Type TT.....	2
9	00-088196-006-1	Relay - Thermal Overload (1 Ph.).....	1
*10		Heater Element (Overload Relay).....	AR
11	SC-060-03	Mach. Screw 10-24 x 3/4 Rd. Hd.....	1
12	WL-007-12	Lockwasher 10 External Shakeproof.....	1
13	00-070486-00002	Cap - Capacitor End.....	1
14	SD-015-20	Self-Tapping Screw 10-32 x 3/8 Phil. Pan Hd., Type TT.....	1
15	00-078752-00009	Clamp - Cable.....	1
16	00-070487-00006	Capacitor (Motor Start).....	1
17	SD-029-06	Self-Tapping Screw 10-24 x 1/2 Phil. Flat Hd., Type F.....	2
18	00-066621-00001	Bracket - Capacitor (Motor Start).....	1
19	00-274034	Capacitor (Motor Run).....	1
20	SD-015-20	Self-Tapping Screw 10-32 x 3/8 Phil. Pan Hd., Type TT.....	1
21	WL-007-12	Lockwasher 10 External Shakeproof.....	2
22	00-118544-00001	Lug - Solderless.....	1
23	SD-015-20	Self-Tapping Screw 10-32 x 3/8 Phil. Pan Hd., Type TT.....	2
24	00-274032	Bracket - Capacitor (Motor Run).....	1
25	00-274033	Nut - Well (Component Bracket).....	2
26	SC-060-85	Mach. Screw 10-24 x 1 Rd. Hd.....	2
27	WL-007-12	Lockwasher 10 External Shakeproof.....	2
28	SD-015-20	Self-Tapping Screw 10-32 x 3/8 Phil. Pan Hd., Type TT.....	1
29	00-078752-00009	Clamp - Cable.....	1
30	SD-015-20	Self-Tapping Screw 10-32 x 3/8 Phil. Pan Hd., Type TT.....	2
31	00-087525-00669	Lead Wire Assy.....	1
	00-113703	Cable Tie.....	AR

* Give Elec. Spec., Mach. Model, & Motor Type



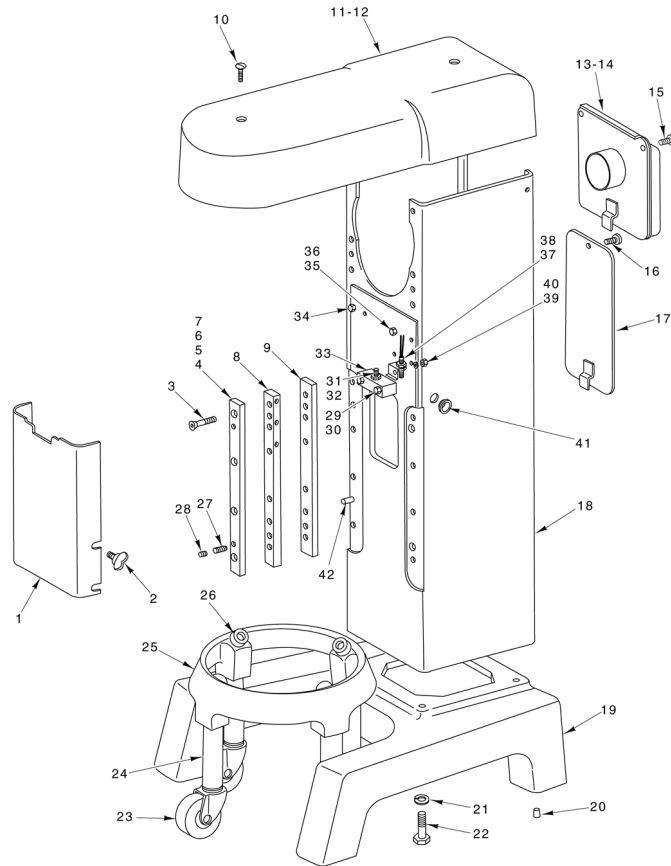
ELECTRICAL COMPONENT PANEL - 3 PHASE

ELECTRICAL COMPONENT PANEL - 3 PHASE

ILLUS.	PART NO.	NAME OF PART	AMT.
PL-55620			
1	00-274031	Bracket - Support (Component Panel).....	1
2	00-087713-102-1	Contactors (208/240 V., 60 Hz., 3 Ph.) (30 Amp.) (3 Pole).....	1
3	00-087713-102-2	Contactors (480 V., 60 Hz., 3 Ph.) (30 Amp.) (3 Pole).....	1
4	SD-015-20	Self-Tapping Screw 10-32 x 3/8 Phil. Pan Hd., Type TT.....	2
5	00-274027	Panel - Component Mounting.....	1
6	00-078752-00009	Clamp - Cable.....	1
7	SD-015-20	Self-Tapping Screw 10-32 x 3/8 Phil. Pan Hd., Type TT.....	1
8	00-088196-009-1	Relay - Thermal Overload (3 Ph.) (With Overload Protection).....	1
*9		Heater Element (Overload Relay).....	AR
10	SC-060-03	Mach. Screw 10-24 x 3/4 Rd. Hd.....	1
11	WL-007-12	Lockwasher 10 External Shakeproof.....	1
12	SD-015-20	Self-Tapping Screw 10-32 x 3/8 Phil. Pan Hd., Type TT.....	2
13	SD-033-72	Self-Tapping Screw 10-24 x 7/8 Phil. Pan Hd., Type TT.....	2
14	00-271336	Terminal Block.....	1
15	SD-015-20	Self-Tapping Screw 10-32 x 3/8 Phil. Pan Hd., Type TT.....	1
16	00-078752-00009	Clamp - Cable.....	1
**17	00-294436-00003	Block - Fuse.....	1
**18	FE-009-25	Fuse (250 V., 0.5 Amp.).....	1
**19	SD-015-38	Self-Tapping Screw 6-32 x 3/8 Phil. Pan Hd., Type TT.....	1
**20	SD-015-20	Self-Tapping Screw 10-32 x 3/8 Phil. Pan Hd., Type TT.....	2
21	SD-015-20	Self-Tapping Screw 10-32 x 3/8 Phil. Pan Hd., Type TT.....	1
22	WL-007-12	Lockwasher 10 External Shakeproof.....	2
23	00-118544-00001	Lug - Solderless.....	1
**24	00-101935	Transformer.....	1
25	00-274033	Nut - Well (Component Bracket).....	2
26	SC-060-85	Mach. Screw 10-24 x 1 Rd. Hd.....	2
27	WL-007-12	Lockwasher 10 External Shakeproof.....	2
28	SD-015-20	Self-Tapping Screw 10-32 x 3/8 Phil. Pan Hd., Type TT.....	1
29	00-078752-00009	Clamp - Cable.....	1
30	SD-015-20	Self-Tapping Screw 10-32 x 3/8 Phil. Pan Hd., Type TT.....	2
31	00-087525-00669	Lead Wire Assy.....	1
	00-113703	Cable Tie.....	AR

* Give Elec. Spec., Mach. Model, & Motor Type.

** Above 250 V. Machines.

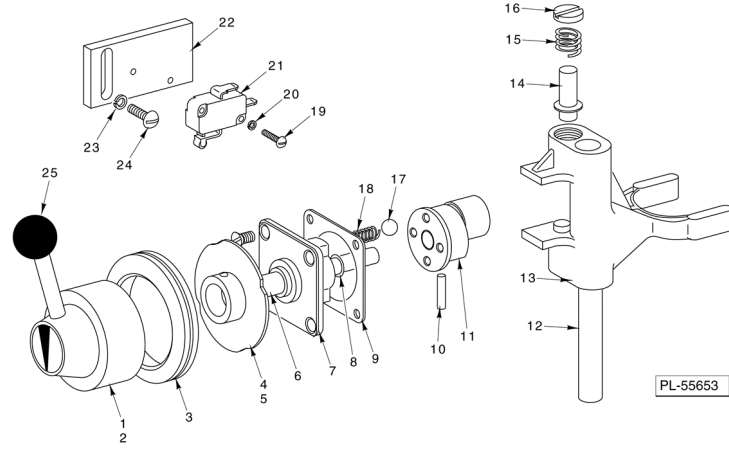


PL-55649

BASE AND PEDESTAL

BASE AND PEDESTAL

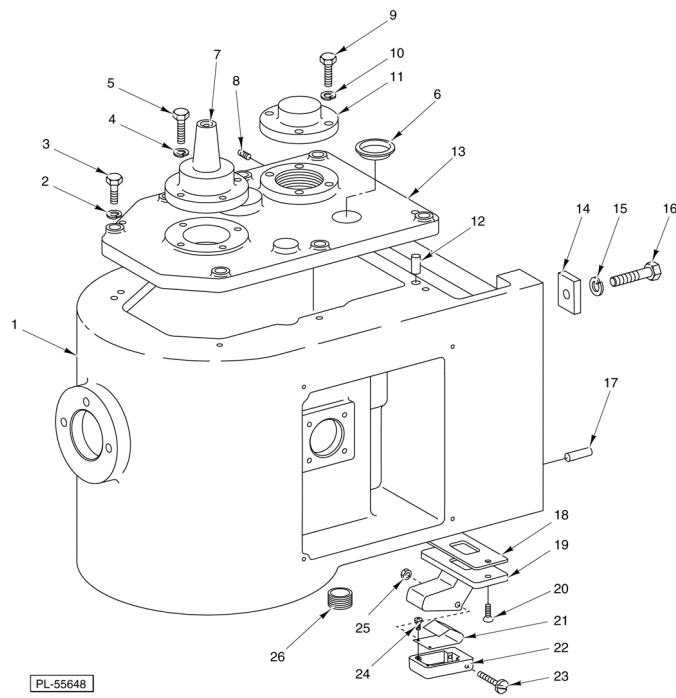
ILLUS. PL-55649	PART NO.	NAME OF PART	AMT.
1	00-437824	Cover - Bowl Support.....	1
2	00-070641-00001	Thumb Screw.....	4
3	SC-061-06	Cap Screw 5/16-18 x 13/4 Flat Hd.....	8
4	00-271257	NLA - Obsolete--Gib - Upper.....	2
5	00-271265-00001	Shim - Gib (0.003 Thk.).....	AR
6	00-271265-00002	Shim - Gib (0.005 Thk.).....	AR
7	00-271265-00003	Shim - Gib (0.010 Thk.).....	AR
8	00-271262	NLA - Obsolete--Gib - Center.....	2
9	00-271260	NLA - Obsolete--Gib - Lower.....	2
10	SC-023-19	Mach. Screw 1/4-20 x 3/4 Oval Hd. (SST).....	2
11	00-274038	Cover - Top Assy. (Incls. Item 12).....	1
12	00-123687-00007	Gasket.....	1
13	00-274668	Vent - Air Intake (1 Phase).....	1
14	00-271300-00001	Vent - Air Intake (3 Phase) (Not Shown).....	1
15	SC-053-41	Mach. Screw 1/4-20 x 1/2 Slotted Truss Hd. (SST).....	2
16	SC-053-41	Mach. Screw 1/4-20 x 1/2 Slotted Truss Hd. (SST).....	1
17	00-271299-00001	Cover - Lift Mechanism.....	1
18	00-271284-00002	NLA - Obsolete--Pedestal.....	1
19	00-271227-002-2	Base Assy.....	1
20	00-110717-00003	Plug - Base Assy. (Contains Four Plugs in a Bag).....	1
21	WL-004-11	Lockwasher 1/2 Helical.....	4
22	SC-120-28	Cap Screw 1/2-13 x 2 Hex Hd.....	4
23	00-087668-00002	Caster.....	4
24	00-070590-00001	Leg (6 Lg.) (30 Qt.).....	4
25	00-315015	Bowl Truck Assy. (Incls. Items 23, 24, & 26).....	1
26	00-018682-00001	Foot.....	4
27	SC-112-65	Set Screw 5/16-18 x 3/4 Hdls., Cone Pt.....	2
28	SC-047-30	Set Screw 5/16-18 x 5/16 Hdls., Flat Pt.....	2
29	SC-036-11	NLA - Obsolete--Cap Screw 1/4-20 x 2 Hex Hd.....	2
30	WL-006-16	Lockwasher 1/4 Helical (SST).....	2
31	SC-109-85	NLA - Obsolete--Set Screw 5/16-18 x 1 1/2 Hdls., Oval Pt.....	1
32	NS-017-08	Jam Nut 5/16-18 Hex.....	1
33	00-271267	Block - Stop.....	1
34	SC-063-33	Set Screw 3/8-16 x 3/8 Hdls., Flat Pt.....	2
35	SC-036-06	Cap Screw 1/4-20 x 1 Hex Hd.....	4
36	WL-006-16	Lockwasher 1/4 Helical (SST).....	4
37	00-087711-306-1	Switch - Bowl Height Sensing.....	1
38	00-438577	Bracket - Sensor.....	1
39	WL-006-16	Lockwasher 1/4 Light (Use to Mount Item 38) (SST).....	1
40	NS-013-02	Nut 1/4-20 Hex (Use to Mount Item 38).....	1
41	00-271343	Grommet - Handle.....	1
42	00-011800-00118	Dowel.....	2



SHIFTER UNIT

SHIFTER UNIT

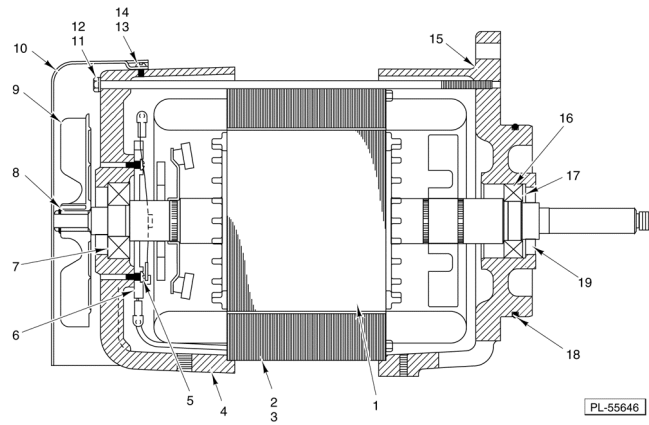
ILLUS. PL-55653	PART NO.	NAME OF PART	AMT.
1	SC-047-17	Set Screw 1/4-20 x 3/4 Hds., Cup Pt.....	1
2	00-291272	Shifter Handle Assy. (Incls. Items 1 & 25).....	1
3	00-110961	Grommet - Shifter Handle.....	1
4	00-271276	Cam - Interlock Assy.....	1
5	SC-047-70	Set Screw 10-32 x 3/8 Hds., Cup Pt.....	1
6	00-875238	Shaft - Shifter.....	1
7	00-290115-00001	Plate - Index.....	1
8	00-067500-00044	O-Ring.....	1
9	00-023946	Gasket - Index Plate.....	AR
10	PS-003-08	Spiral Pin 1/8 Dia. x 3/4 Lg.....	1
11	00-873504	Cam - Gear Shifter.....	1
12	00-271291	Rod - Shifter Guide.....	1
13	00-271245-00002	Yoke - Shifter.....	1
14	00-012733	Plunger - Shifter Yoke.....	2
15	00-012734	Spring - Shifter Yoke.....	2
16	00-012732	Retainer - Shifter Yoke Spring.....	2
17	BA-002-09	Ball 1/4 Dia.....	2
18	00-111170	Spring - Detent.....	2
19	SC-021-05	Mach. Screw 4-40 x 5/8 Rd. Hd. (SST).....	2
20	WL-003-01	Lockwasher #4 Light.....	2
21	00-271315	Switch - Interlock (10 Amp., 250 VAC).....	1
22	00-271277	Plate - Switch Mounting.....	1
23	WL-003-20	Lockwasher #10 Light.....	2
24	SC-009-25	Mach. Screw 10-24 x 5/8 Slotted Rd. Hd.....	2
25	00-070085	Knob - Shifter Handle Ball.....	1



TRANSMISSION CASE

TRANSMISSION CASE

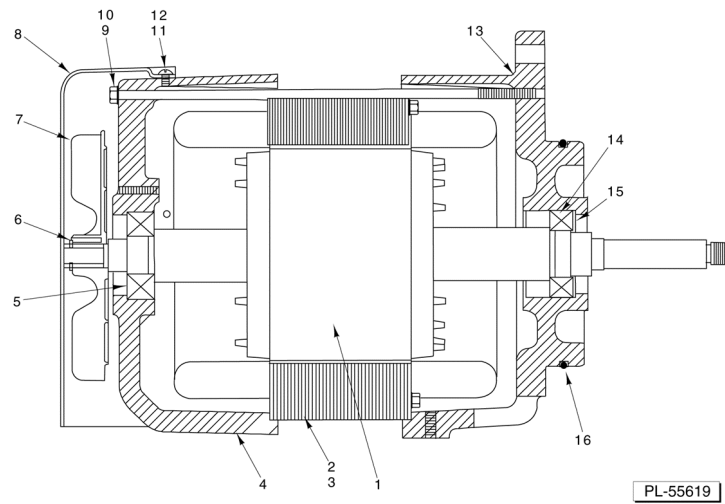
ILLUS. PL-55648	PART NO.	NAME OF PART	AMT.
1	00-271206-002-2	NLA - Obsolete--Case - Transmission (ML-104483, ML-104484, & ML-134118).....	1
2	WL-003-44	Lockwasher 5/16 Helical.....	7
3	SC-120-38	Cap Screw 5/16-18 x 1 Hex Hd.....	7
4	WL-003-37	Lockwasher 1/4 Medium.....	4
5	SC-036-06	Cap Screw 1/4-20 x 1 Hex Hd.....	4
6	00-064871	Plug - Friction.....	1
7	00-271222-00002	Retainer - Bearing (Planetary Shaft).....	1
8	SC-047-70	Set Screw 10-32 x 3/8 Hdls., Cup Pt.....	2
9	SC-036-06	Cap Screw 1/4-20 x 1 Hex Hd.....	4
10	WL-003-37	Lockwasher 1/4 Medium.....	4
11	00-271225-00002	Retainer - Bearing (Worm Gear Shaft).....	1
12	00-011800-00249	Dowel.....	2
13	00-271218-002-1	Transmission Case Cover Assy.....	1
14	00-271340	Bar - Reinforcing.....	6
15	WL-004-06	Lockwasher 3/8 Helical.....	6
16	SC-116-83	Cap Screw 3/8-16 x 1 1/2 Hex Hd.....	6
17	00-011800-00118	Dowel.....	2
18	00-437809	Gasket - Reed Housing.....	1
19	00-437793-00002	Housing - Reed.....	1
20	SC-022-22	Mach. Screw 10-24 x 3/4 Flat Hd. (SST).....	2
21	00-437435	Spring - Reed Switch.....	1
22	00-08771-304-1	Housing - Reed Switch.....	1
23	SC-122-48	Mach. Screw 8-32 x 13/4 Rd. Hd. (SST).....	1
24	SC-018-50	Mach. Screw 6-32 x 1/4 Pan Hd.....	2
25	NS-031-08	Nut - Stop Special 8 x 32 Hex (SST).....	1
26	FP-085-17	Pipe Plug 5/8 Hex Socket.....	1
	00-068288	Shim (Between Trans. Case & Pedestal) (Not Shown).....	AR



MOTOR PARTS - 1 PHASE

MOTOR PARTS - 1 PHASE

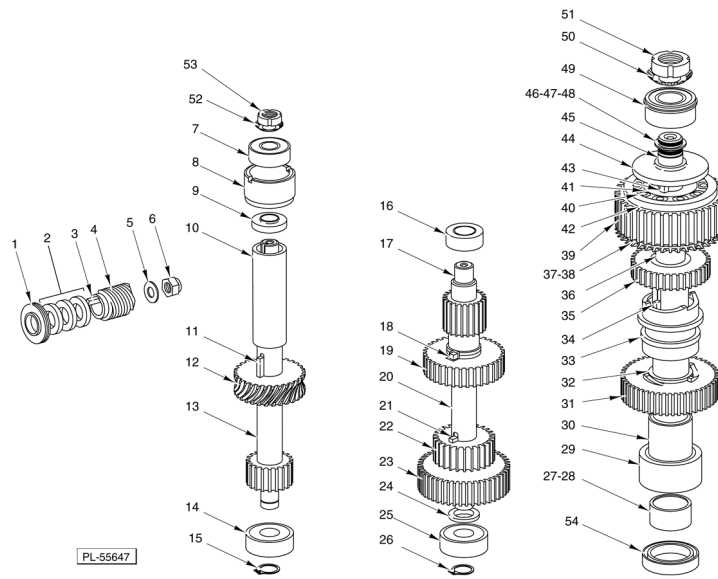
ILLUS.	PART NO.	NAME OF PART	AMT.
PL-55646			
1	00-022275-00276	Rotor Assy. (1 Phase).....	1
2	00-065477-162-1	Stator Assy. (120/240 V., 60 Hz.).....	1
3	00-065477-162-2	Stator Assy. (208 V., 60 Hz.).....	1
4	00-435867-00002	NLA - Obsolete--Housing - Motor (Rear).....	1
5	SC-009-49	Mach. Screw 6-32 x 3/8 Rd. Hd.....	2
6	00-121110	Switch - Starting (Stationary Part).....	1
7	BB-005-34	Ball Bearing.....	1
8	RR-011-05	Retaining Ring.....	1
9	00-292466-00001	Fan - Ventilating.....	1
10	00-435868	NLA - Obsolete--Shroud - Motor.....	1
11	00-271335-00001	NLA - Obsolete--Bolt - Motor (1-Phase).....	4
12	WL-003-22	Lockwasher #10 Light.....	4
13	SC-018-34	Mach. Screw 8-32 x 1/2 Phil. Pan Hd.....	3
14	WL-003-12	Lockwasher #8 Helical.....	3
15	00-873505-00002	Housing - Motor (Front).....	1
16	BB-015-08	Bearing - Ball.....	1
17	SL-005-04	Spring - Loading.....	1
18	OR-001-01	O-Ring.....	1
19	00-873508	Oil Seal.....	1
	00-275152	Shim.....	AR
	00-271255-00003	NLA - Obsolete--Motor Assy. (120/230 V., 60 Hz.).....	1
	00-271255-00004	NLA - Obsolete--Motor Assy. (208 V., 60 Hz.).....	1



MOTOR PARTS - 3 PHASE

MOTOR PARTS - 3 PHASE

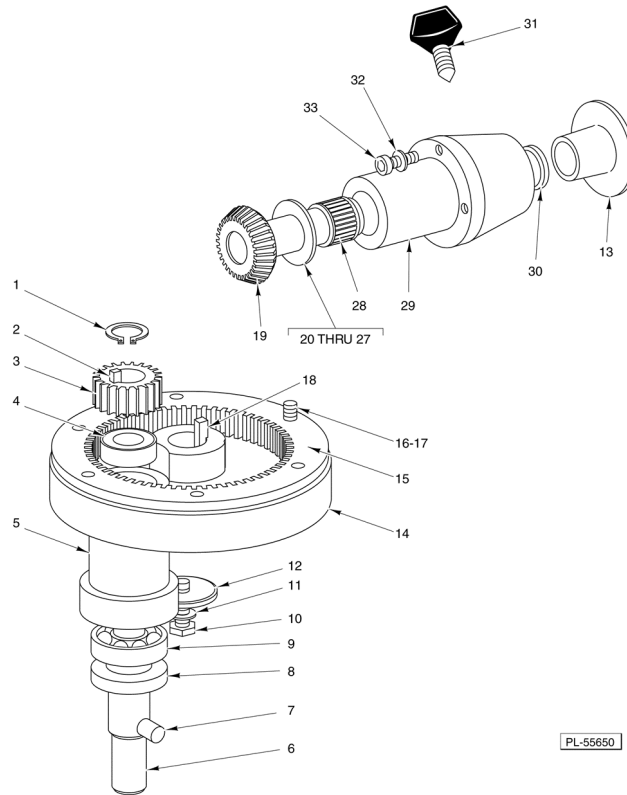
ILLUS. PL-55619	PART NO.	NAME OF PART	AMT.
1	00-015747-00312	Rotor Assy. (3 Phase).....	1
2	65478-184-1	Stator Assy. (208 V., 60 Hz.).....	1
3	65478-184-2	NLA - Obsolete--Stator Assy (240/480 V., 60 Hz.).....	1
4	00-435867-00002	NLA - Obsolete--Housing - Motor (Rear).....	1
5	BB-005-34	Ball Bearing (N.D. #Z99504).....	1
6	RR-011-5	Retaining Ring.....	1
7	00-292466-00001	Fan - Ventilating.....	1
8	00-435868	NLA - Obsolete--Shroud - Motor.....	1
9	00-271335-00002	Bolt - Motor (3 Phase).....	4
10	WL-003-22	Lockwasher #10 Light.....	4
11	SC018-34	Mach. Screw 8-32 x 1/2 Phil. Pan Hd.....	3
12	WL-003-12	Lockwasher #8 Helical.....	3
13	00-271254-00002	Housing - Motor (Front).....	1
14	BB-015-08	Ball Bearing (MRC 105KSZZ-01-ST-A-92-C).....	1
15	SL-005-04	Spring - Loading.....	1
16	OR-001-01	O-Ring.....	1
	00-275152	Shim.....	AR
	00-271256-00003	NLA - Obsolete--Motor Assy. (208 V., 60 Hz.) (For Service Use 00-875334-00001)	1
	00-875334-00001	Motor Assy. (208 V., 60 Hz.) (Replacement for 00-271256-00003).....	1
	00-271256-00004	NLA - Obsolete--Motor Assy. (240/480 V., 60 Hz.) (For Service Use 00-875334-00002).....	1
	00-875334-00002	Motor Assy. (240/480 V., 60 Hz.) (Replacement for 00-271256-00004).....	1



TRANSMISSION

TRANSMISSION

ILLUS.	PART NO.	NAME OF PART	AMT.
PL-55647			
1	00-271253	Deflector - Grease.....	1
2	00-077840	Washer - Belleville.....	6
3	00-012430-00069	Key 3/16 Sq. x 139/64 Lg.....	1
4	00-271243	Worm (5T) (60 Hz.).....	1
5	WS-021-01	Washer (SST).....	1
6	NS-047-99	Lock Nut 7/16-20.....	1
7	BB-021-21	Ball Bearing.....	1
8	00-271301	Sleeve - Worm Gear.....	1
9	00-271281	Spacer (Top of Worm Gear).....	1
10	00-271280	Spacer (Worm Gear).....	1
11	00-012430-00151	Key 1/4 Sq. x 15/16 Lg.....	1
12	00-271244	Gear - Worm (29T) (60 Hz.).....	1
13	00-271242	Shaft - Worm Gear.....	1
14	BB-020-06	Ball Bearing (Fafnir 204KDFA51580).....	1
15	RR-004-07	Retaining Ring.....	1
16	BB-005-46	Ball Bearing (Fafnir 204KDDFS50545).....	1
17	00-271238	Shaft - Transmission.....	1
18	00-012430-00138	Key 1/4 Sq. x 3/4 Lg.....	1
19	00-271239	Gear (36T).....	1
20	00-271282	Spacer.....	1
21	00-012430-00152	Key 1/4 Sq. x 113/16 Lg.....	1
22	00-271240	Gear (27T).....	1
23	00-271241	Gear (44T).....	1
24	00-271283	Spacer - Lower Center Shaft.....	1
25	BB-020-06	Ball Bearing (Fafnir 204KDFA51580).....	1
26	RR-004-07	Retaining Ring.....	1
27	00-067500-00070	O-Ring.....	1
28	00-437599	Seal - Hub.....	1
29	BB-015-36	Ball Bearing - Hoover (NSK 6007 DDUCE1SRIS).....	1
30	00-271278	Spacer - Lower Planetary Shaft.....	1
31	00-271237	Gear - Lower Clutch (46T).....	1
32	00-271287	Bearing - Lower Clutch Gear.....	1
33	00-271226-00002	Sleeve - Clutch.....	1
34	00-012430-00182	Key 1/4 Sq. x 2 Lg.....	2
35	00-271236	Gear - Upper Clutch (33T).....	1
36	00-271285	Bearing - Upper Clutch Drive.....	1
37	00-271234	Gear - Bevel (45T).....	1
38	00-271234-00002	Gear - Bevel (45T) (Starting with Serial No. 31-1101-889, 01/13/97).....	1
39	00-271233	Gear - Roller Clutch (SST).....	1
40	00-271289	Spring - Roller.....	10
41	00-271288	Roller - Clutch.....	10
42	00-271279	Sleeve - Drive.....	1
43	00-109070-00028	Key.....	1
44	00-271286	Spacer - Planetary Shaft.....	1
45	00-271229	Planetary Shaft.....	1
46	WS-030-25	Washer (0.002 Thk.).....	AR
47	WS-030-26	Washer (0.003 Thk.).....	AR
48	WS-030-27	Washer (0.010 Thk.).....	AR
49	BB-021-22	Ball Bearing (SKF 5205A2ZNR3).....	1
50	WL-012-06	Lockwasher N.D. #W-05.....	1
51	NS-034-06	Lock Nut - Bearing.....	1
52	WL-012-04	Lockwasher.....	1
53	NS-034-04	Lock Nut.....	1
54	00-271341	Seal - Planetary Shaft.....	1
	00-437603	Planetary Shaft & Gear Assy. (Incls. Items 27 thru 32 & 45).....	1
	00-274039	Center Shaft Assy. (Incls. Items 16 thru 26).....	1

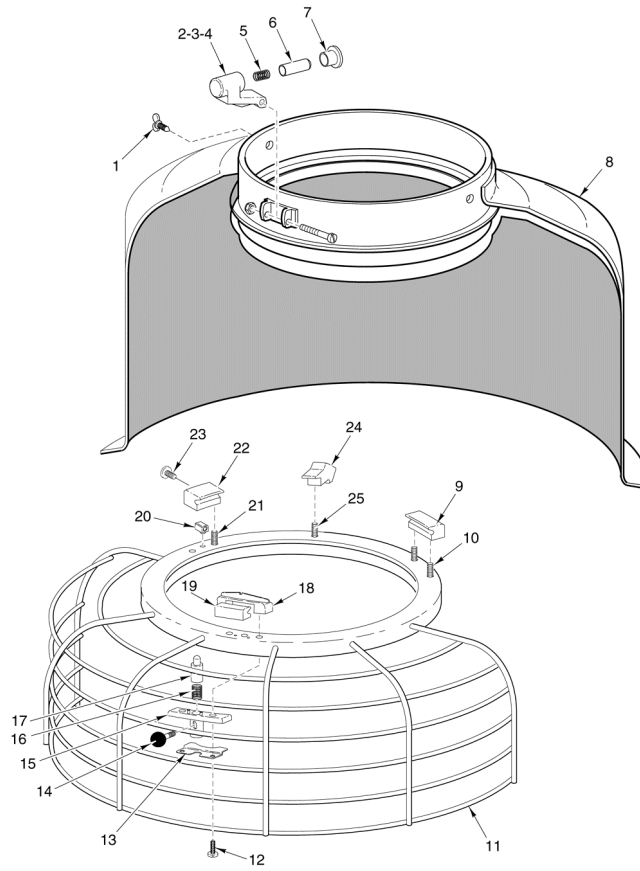


PL-55650

PLANETARY AND ATTACHMENT HUB

PLANETARY AND ATTACHMENT HUB

ILLUS. PL-55650	PART NO.	NAME OF PART	AMT.
1	RR-009-19	Retaining Ring.....	1
2	00-012430-00180	Key 1/4 Sq. x 13/6 Lg.....	1
3	00-435548	Pinion - Agitator Shaft (18T).....	1
4	BB-021-34	Ball Bearing.....	1
5	00-438240-00002	Planetary (Painted).....	1
6	00-438229	Agitator Shaft Assy. (Incls. Item 7).....	1
7	00-070019	Pin - Agitator.....	1
8	00-439286	Seal - Agitator Shaft.....	1
9	BB-021-35	Ball Bearing.....	1
10	SC-062-58	Cap Screw 3/8-24 x 11/4 Hex Hd.....	1
11	WL-006-27	Lockwasher 3/8 Light (SST).....	1
12	00-070047-00001	Washer - Planetary.....	1
13	00-114824-00001	Plug - Attachment Hub.....	1
14	00-437708	NLA - Obsolete--Cup - Planetary Drip.....	1
15	00-439291-00002	Gear - Internal (59T).....	1
16	SC-089-19	Cap Screw 5/16-18 x 13/8 Soc. Hex Hd.....	6
17	WL-003-48	Lockwasher 5/16 High Collar.....	6
18	00-012430-00173	Key 1/4 Sq. x 2-1/4 Lg.....	1
19	00-271324-00002	Attachment Drive Gear (34T) & Expansion Plug Assy.....	1
20	00-070045-00002	Washer - Thrust (0.119 Thk.).....	AR
21	00-070045-00003	Washer - Thrust (0.121 Thk.).....	AR
22	00-070045-00004	Washer - Thrust (0.123 Thk.).....	AR
23	00-070045-00005	Washer - Thrust (0.127 Thk.).....	AR
24	00-070045-00001	Washer - Thrust (0.125 Thk.).....	AR
25	00-070045-00006	Washer - Thrust (0.129 Thk.).....	AR
26	BN-005-09	Needle Bearing (Torrington TRB 1828).....	1
27	BN-005-10	Needle Bearing (Torrington NTA-1828).....	1
28	BN-002-12	Needle Bearing.....	2
29	00-070511-00003	Attachment Hub & Bearing Assy. (Incls. Item 28).....	1
30	00-070090	Seal - Attachment Hub.....	1
31	00-108197-00001	Thumb Screw 1-1/4.....	1
32	WL-003-43	Lockwasher 5/16 Light.....	3
33	SC-040-50	Cap Screw 5/16-18 x 21/4 Soc. Hex Hd.....	3
	00-438230	Planetary Assy. (Incls. Items 1 thru 6, 8, & 9).....	1

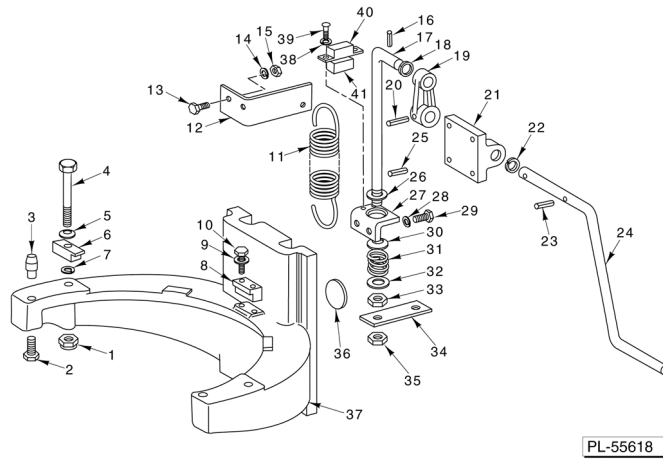


PL-55651

BOWL GUARD UNIT

BOWL GUARD UNIT

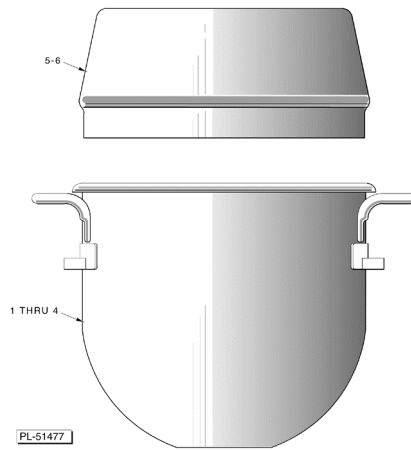
ILLUS.	PART NO.	NAME OF PART	AMT.
PL-55651			
1	00-070641-00011	Thumb Screw 8-32 Special.....	3
2	00-479006	Latch - Cage Detent.....	1
3	00-478602	Screw - Shoulder.....	1
4	NS-031-50	Nut - Stop Special 6-32 Hex (SST).....	1
5	00-437446-00001	Spring - Cage Detent.....	1
6	00-437724	Plunger - Detent.....	1
7	00-437725	Bushing - Detent.....	1
8	00-437792	NLA - Obsolete--Splash Guard & Drip Cup Assy. (Painted).....	1
9	00-437713	Shoe - Fixed.....	1
10	SC-122-45	Mach. Screw - Special 1/4-20 x 3/8 Truss Hd. (SST).....	2
11	00-437822	NLA - Obsolete--Wire Cage Assy.....	1
12	SC-122-46	Mach. Screw - Special 1/4-20 x 3/4 Truss Hd. (SST).....	2
13	00-437817	Stop - Cage.....	1
14	00-437436	Pin - Plunger.....	1
15	00-437799	Housing - Plunger.....	1
16	00-437446-00002	Spring - Cage On/Off.....	1
17	00-437432	Plunger.....	1
18	00-437718-00002	Saddle - Shoe.....	1
19	00-437715	Shoe - Saddle.....	1
20	00-437720	Key - Shoe.....	1
21	SC-122-45	Mach. Screw - Special 1/4-20 x 3/8 Truss Hd. (SST).....	2
22	00-437714	Shoe - Adjustable.....	1
23	SC-122-44	Mach. Screw - Special 8-32 x 3/8 Truss Hd. (SST).....	1
24	00-437805	Retainer - Magnet.....	1
25	SC-122-44	Mach. Screw - Special 8-32 x 3/8 Truss Hd. (SST).....	1
	00-438608	Ingredient Chute.....	1



BOWL LIFT UNIT

BOWL LIFT UNIT

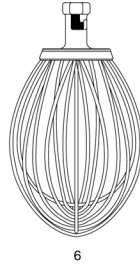
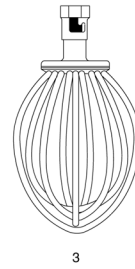
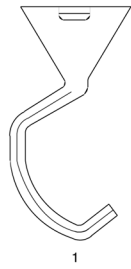
ILLUS.	PART NO.	NAME OF PART	AMT.
PL-55618			
1	NS-032-13	Lock Nut 5/16-18 Flexloc.....	2
2	SC-037-75	Cap Screw 5/16-18 x 3/4 Hex Hd.....	2
3	00-070411	Pin - Bowl Locating.....	2
4	SC-062-28	Cap Screw 5/16-18 x 3-1/2 Hex Hd.....	2
5	00-070087	Washer - Spring.....	2
6	00-070057	Clamp - Bowl.....	2
7	WS-004-18	Washer.....	2
8	00-070044	Retainer - Bowl.....	1
9	WL-006-16	Lockwasher 1/4 Light (SST).....	2
10	SC-036-09	Cap Screw 1/4-20 x 1 1/4 Hex Hd.....	2
11	00-271342	Spring - Counterbalance.....	1
12	00-271345	Bracket - Spring.....	1
13	SC-036-06	Cap Screw 1/4-20 x 1 Hex Hd.....	2
14	WL-006-16	Lockwasher 1/4 Light (SST).....	2
15	NS-013-02	Nut 1/4-20 Hex.....	2
16	RP-002-25	Roll Pin 1/8 Dia. x 7/8 Lg.....	1
17	00-068718	Rod - Bowl Lift.....	1
18	WS-008-47	Washer.....	1
19	00-271259-00002	Arm - Bowl Lift.....	1
20	RP-002-26	Roll Pin 1/4 Dia. x 1 1/8 Lg.....	1
21	00-271269-00002	Bearing - Bowl Lift Handle.....	1
22	WS-020-01	Washer (SST).....	1
23	RP-002-25	Roll Pin 1/8 Dia. x 7/8 Lg.....	1
24	00-271322	Handle - Bowl Lift.....	1
25	RP-002-10	Roll Pin 3/16 Dia. x 1 Lg.....	1
26	WS-008-47	Washer.....	1
27	00-438576	Bracket - Lower Lift.....	1
28	WL-003-41	Lockwasher 5/16 Light.....	2
29	SC-037-75	Cap Screw 5/16-18 x 3/4 Hex Hd.....	2
30	00-070131	Washer - Cup Bowl Lift.....	1
31	00-070104	Spring - Bowl Lift.....	1
32	WS-008-47	Washer.....	1
33	NS-017-31	Jam Nut 1/2-20 Hex.....	1
34	00-271346	Bracket - Lower Spring Lift.....	1
35	NS-017-31	Jam Nut 1/2-20 Hex.....	1
36	00-271319	Bumper.....	2
37	00-435269-00003	NLA - Obsolete--Support - Bowl.....	1
38	WL-003-01	Lockwasher #4 Light.....	2
39	SC-021-01	Mach. Screw 4-40 x 1/4 Rd. Hd. (SST).....	2
40	00-120332	Retainer - Magnet.....	1
41	00-111941	Magnet.....	1



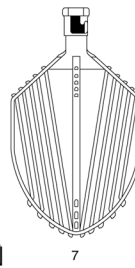
BOWL

BOWL

ILLUS. PL-51477	PART NO.	NAME OF PART	AMT.
1	00-295649	Bowl - 30 Qt. (Tinned).....	1
2	00-295646	Bowl - 20 Qt. (Not Shown) (Tinned) (For Service Use 00-295647).....	1
3	00-437410	Bowl - 30 Qt. (SST).....	1
4	00-295647	Bowl - 20 Qt. (SST).....	1
5	00-438080	Splash Cover Assy. - 30 Qt.....	1
6	00-438079	Splash Cover Assy. - 20 Qt.....	1



PL-55806



AGITATORS

AGITATORS

ILLUS.	PART NO.	NAME OF PART	AMT.
		1
1	00-295120	"E" Dough Arm (Alum.).....	1
2	00-295037	"P" Pastry Knife.....	1
3	00-295163	"I" Wire Whip (SST).....	1
4	00-275450	"B" Flat Beater (Alum.).....	1
5	00-275451	"B" Flat Beater (SST).....	1
6	00-275899	"D" Wire Whip (SST).....	1
7	00-295161	"C" Wing Whip.....	1
	00-315556	"ED" Dough Arm - Spiral (Not Shown) (SST).....	1
		1
1	00-275465	"E" Dough Arm (Alum.).....	1
4	00-275461	"B" Flat Beater (Alum.).....	1
5	00-275462	"B" Flat Beater (SST).....	1
6	00-295029	"D" Wire Whip (SST).....	1
7	00-295164	"C" Wing Whip.....	1

