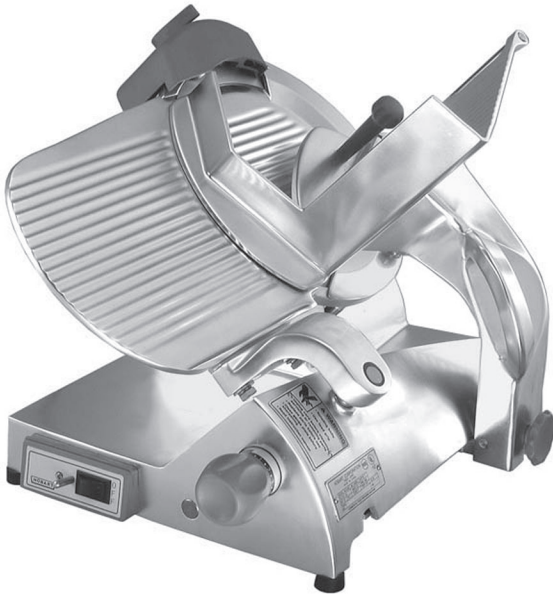


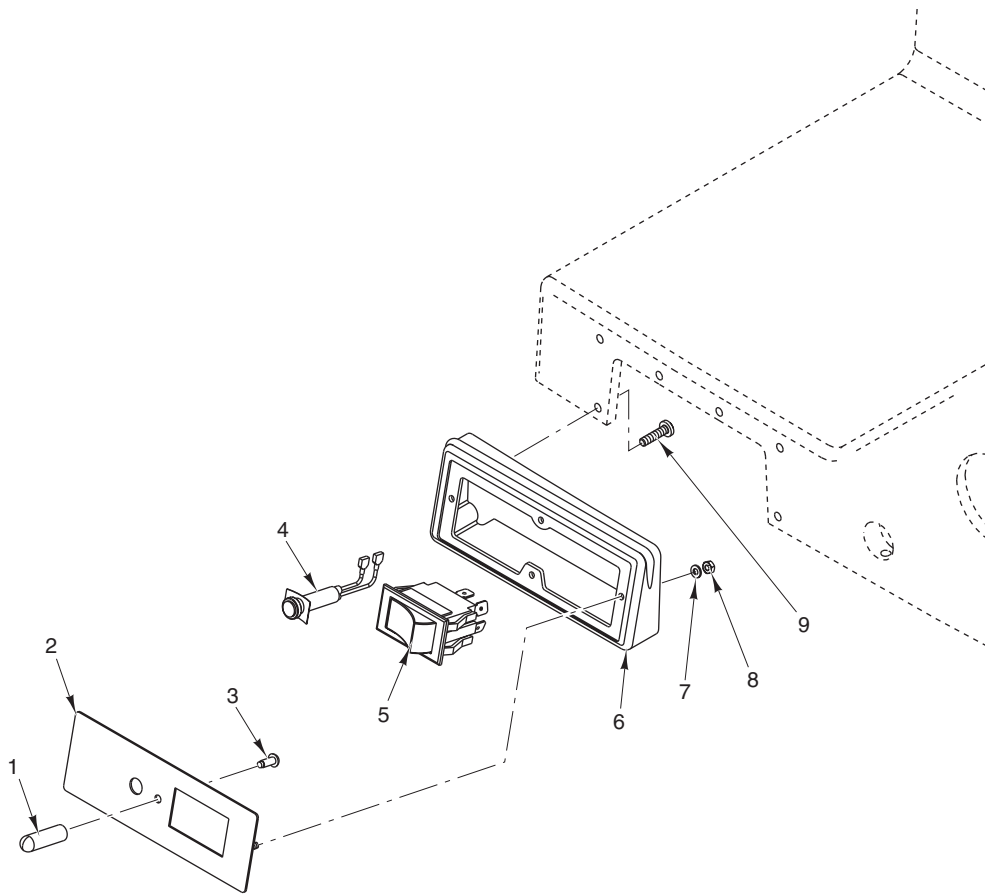


**CATALOG OF
REPLACEMENT
PARTS**



EDGE SLICER

ML-134054

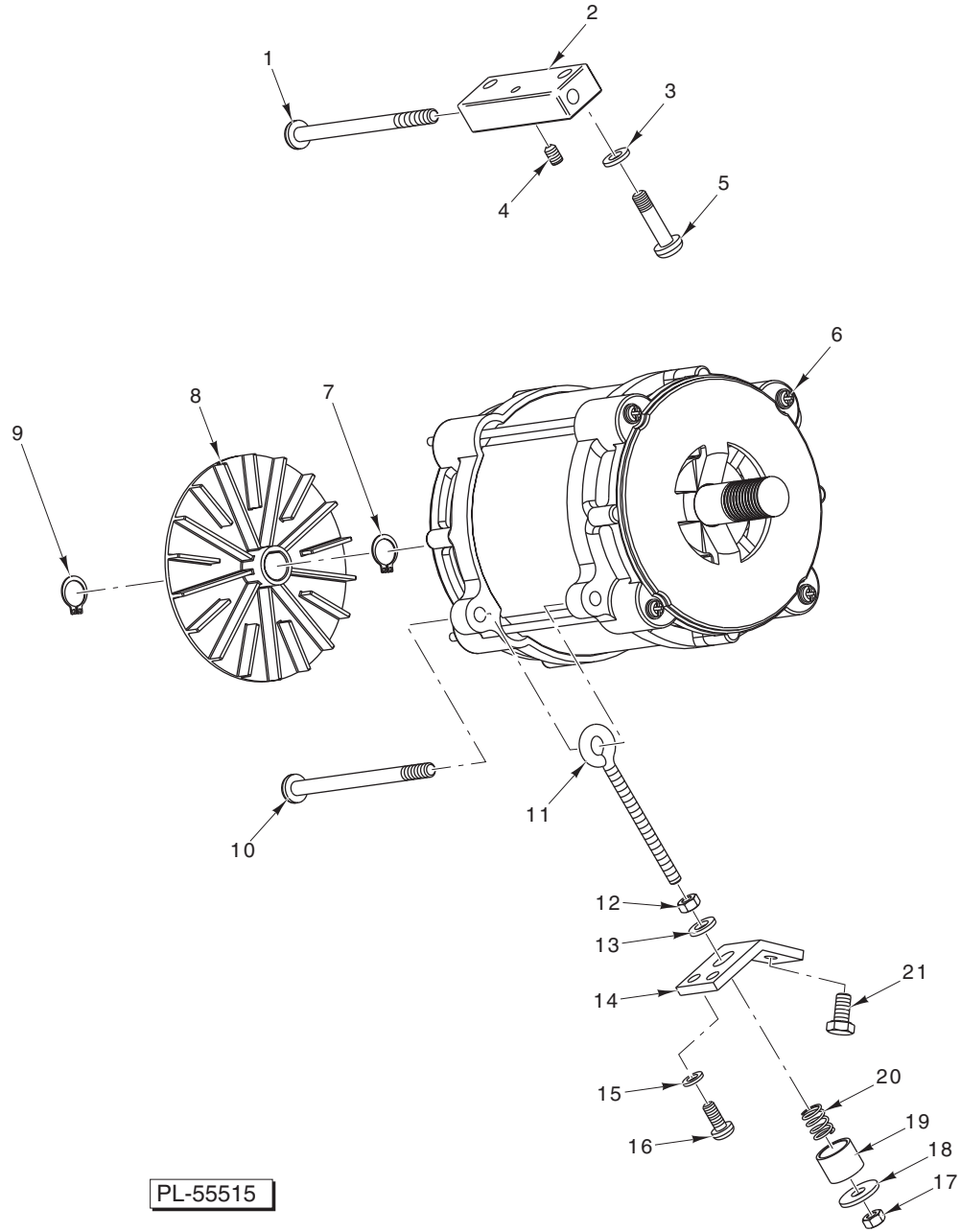


PL-55517

CONTROLS

CONTROLS

ILLUS. PL-55517	PART NO.	NAME OF PART	AMT.
1	00-479420	Guard – Switch	1
2	00-479410	Insert – Toggle (Incls. Studs & Overlay)	1
3	SD-005-21	Self-Tapping Screw 6 x ³ / ₈ Rd. Hd., Type U	1
4	00-479423-00001	Light – Pilot	1
5	00-087711-325-1	Switch – Rocker (DPST)	1
6	00-479390	Bezel	1
7	WL-019-95	Lockwasher M3 Helical	5
8	NS-047-47	Nut M3 x 0.5 Hex	5
9	SD-039-15	Self-Tapping Screw M4 x 1.75 x 16 mm Phil. Pan Hd.	6

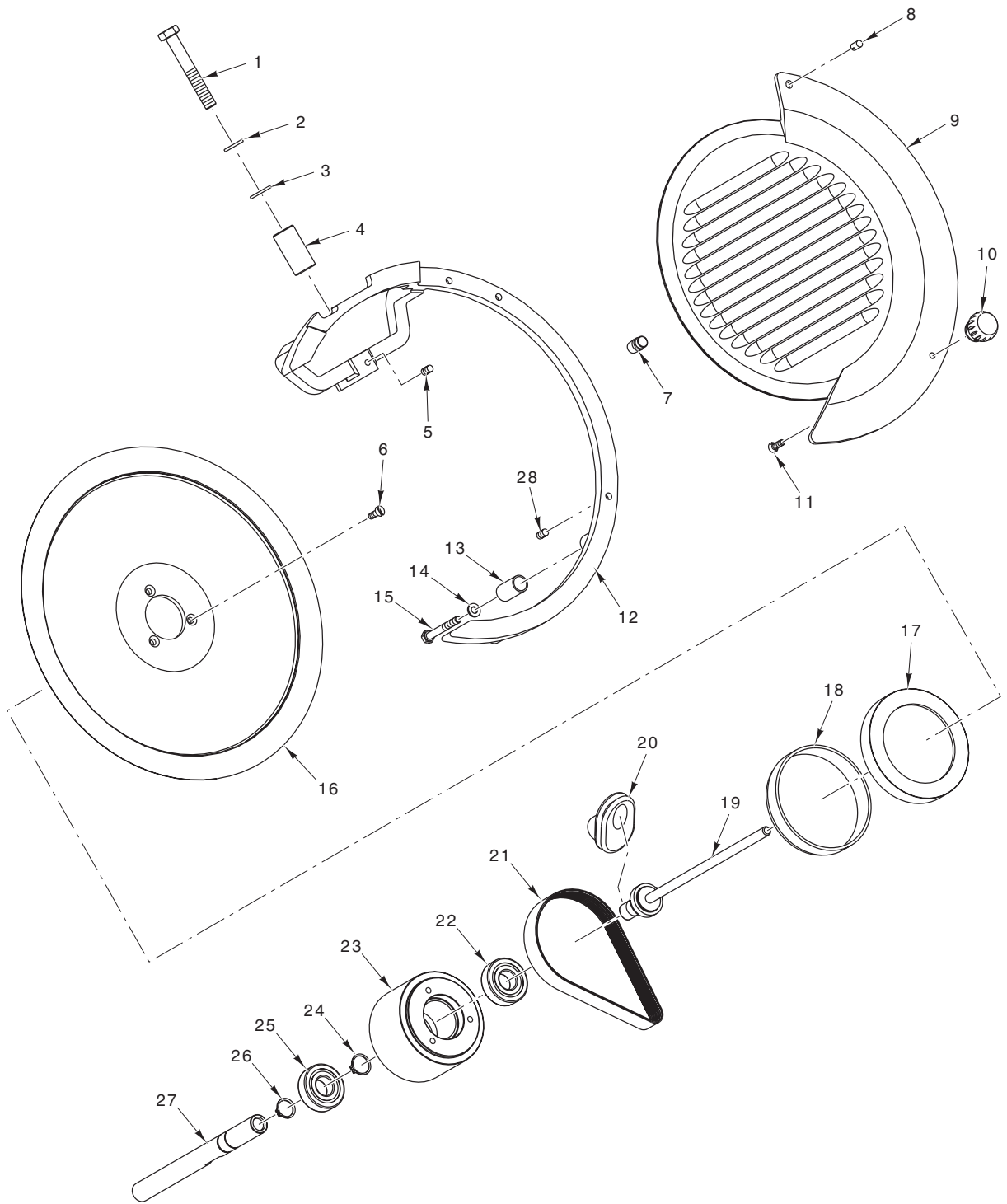


PL-55515

DRIVE MOTOR UNIT

DRIVE MOTOR UNIT

ILLUS. PL-55515	PART NO.	NAME OF PART	AMT.
1	SC-126-36	Mach. Screw M6 x 1 x 90 mm Slotted Pan Hd.	1
2	00-479329	Bracket – Pivot	1
3	WL-019-97	Lockwasher M6 Helical	2
4	SC-117-39	Set Screw M5 x 0.8 x 8 mm Hex Hdls., Cup Pt.	1
5	SC-128-11	Mach. Screw M6 x 1 x 35 mm Phil. Pan Hd.	2
6	00-479313-00001	Motor Assy. (Incls. Items 7, 8, & 9)	1
7	RR-007-11	Retaining Ring	1
8	00-479318	Fan – Ventilating	1
9	RR-007-11	Retaining Ring	1
10	SC-126-36	Mach. Screw M6 x 1 x 90 mm Slotted Pan Hd.	1
11	00-479384	Bolt – Eyelet	1
12	NS-047-49	Nut M5 x 0.8 Hex	1
13	WS-031-17	Washer	1
14	00-479417	Bracket – Tension	1
15	WL-019-96	Lockwasher M5 Helical	2
16	SC-128-15	Mach. Screw M5 x 0.8 x 12 mm Phil. Pan Hd.	2
17	NS-047-49	Nut M5 x 0.8 Hex	1
18	WS-031-34	Washer	1
19	00-479429	Sleeve – Motor Tension	1
20	00-479428	Spring – Motor Tension	1
21	SC-118-58	Cap Screw M6 x 1 x 12 mm Hex Hd.	1

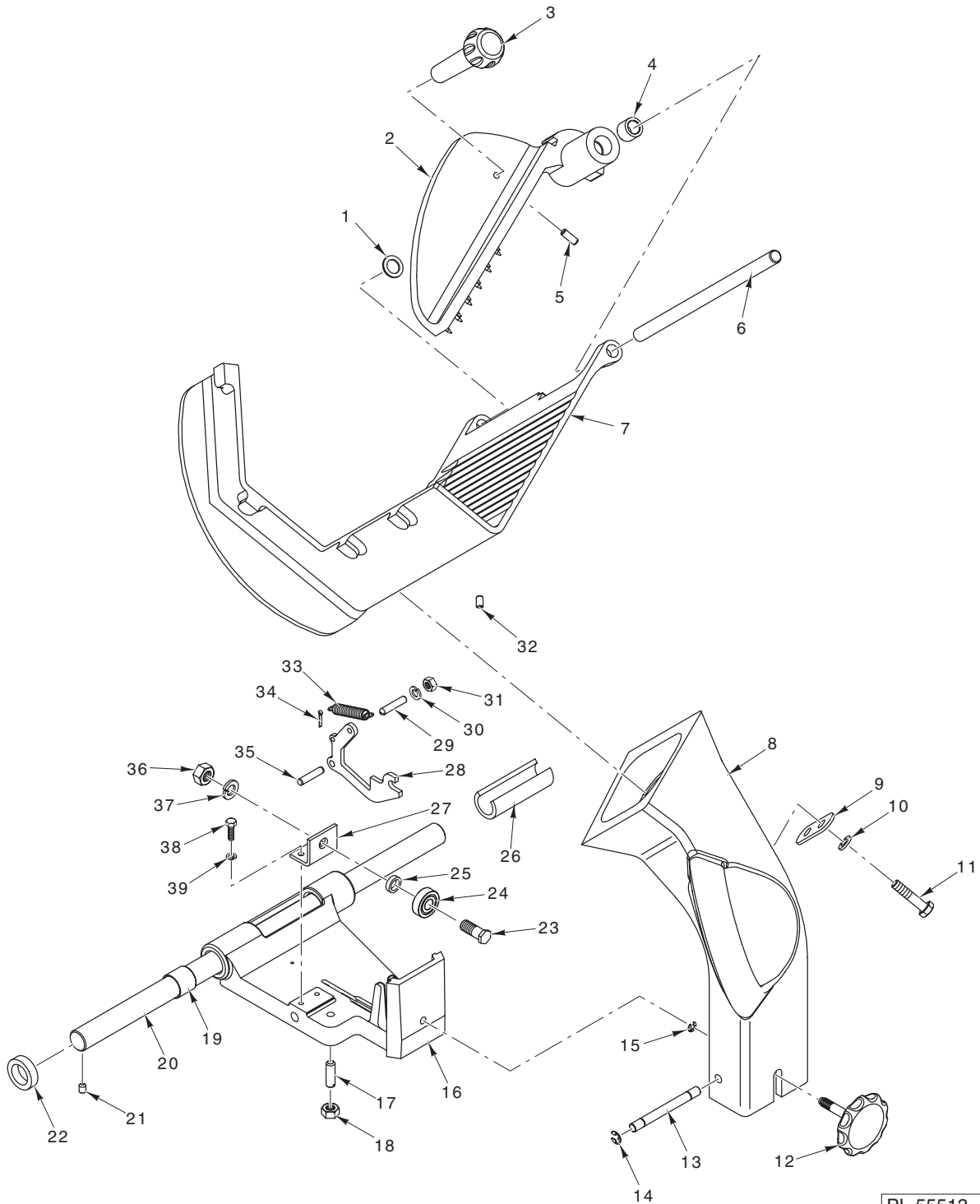


PL-55519

KNIFE SHAFT AND TOP COVER

KNIFE SHAFT AND TOP COVER

ILLUS. PL-55519	PART NO.	NAME OF PART	AMT.
1	SC-126-39	Cap Screw M10 x 1.5 x 70 mm Hex Hd.	1
2	WL-019-89	Lockwasher M10 Helical	1
3	WS-031-15	Washer	1
4	00-479375	Standoff – Knife Ring	1
5	SC-117-36	Set Screw M6 x 1 x 8 mm Hex Hdls., Cup Pt.	2
6	SC-118-36	Mach. Screw M5 x 0.8 x 16 mm Slotted Flat Hd.	3
7	00-479363	Receiver – Knife Cover	1
8	00-479379	Pin – Locator	1
9	00-479402-00002	Cover – Knife	1
10	00-479381	Knob – Knife Cover	1
11	SC-118-36	Mach. Screw M5 x 0.8 x 16 mm Slotted Flat Hd.	1
12	00-479362-00002	Ring – Knife	1
13	00-479374	Spacer – Knife Ring	2
14	WL-019-97	Lockwasher M6 Helical	2
15	SC-126-37	Cap Screw M6 x 1 x 50 mm Hex Hd.	2
16	00-479446	Knife (30 cm) (Packaged)	1
17	00-479378	Ring – Plastic	1
18	00-479377	Sleeve – Knife Hub	1
19	00-479327	Knob – Knife Shaft Assy.	1
20	00-479359	Grommet – Shaft	1
21	00-479391	V-Belt – Poly	1
22	BB-005-23	Bearing – Ball	1
23	00-479317-00002	Hub – Knife Shaft	1
24	RR-004-18	Retaining Ring	1
25	BB-020-18	Bearing – Ball	1
26	RR-012-11	Retaining Ring	1
27	00-479364	Shaft – Knife	1
28	00-479314	Set Screw – Special	3
	00-479315	Knife Shaft Assy. (Incls. Items 22 thru 27)	1

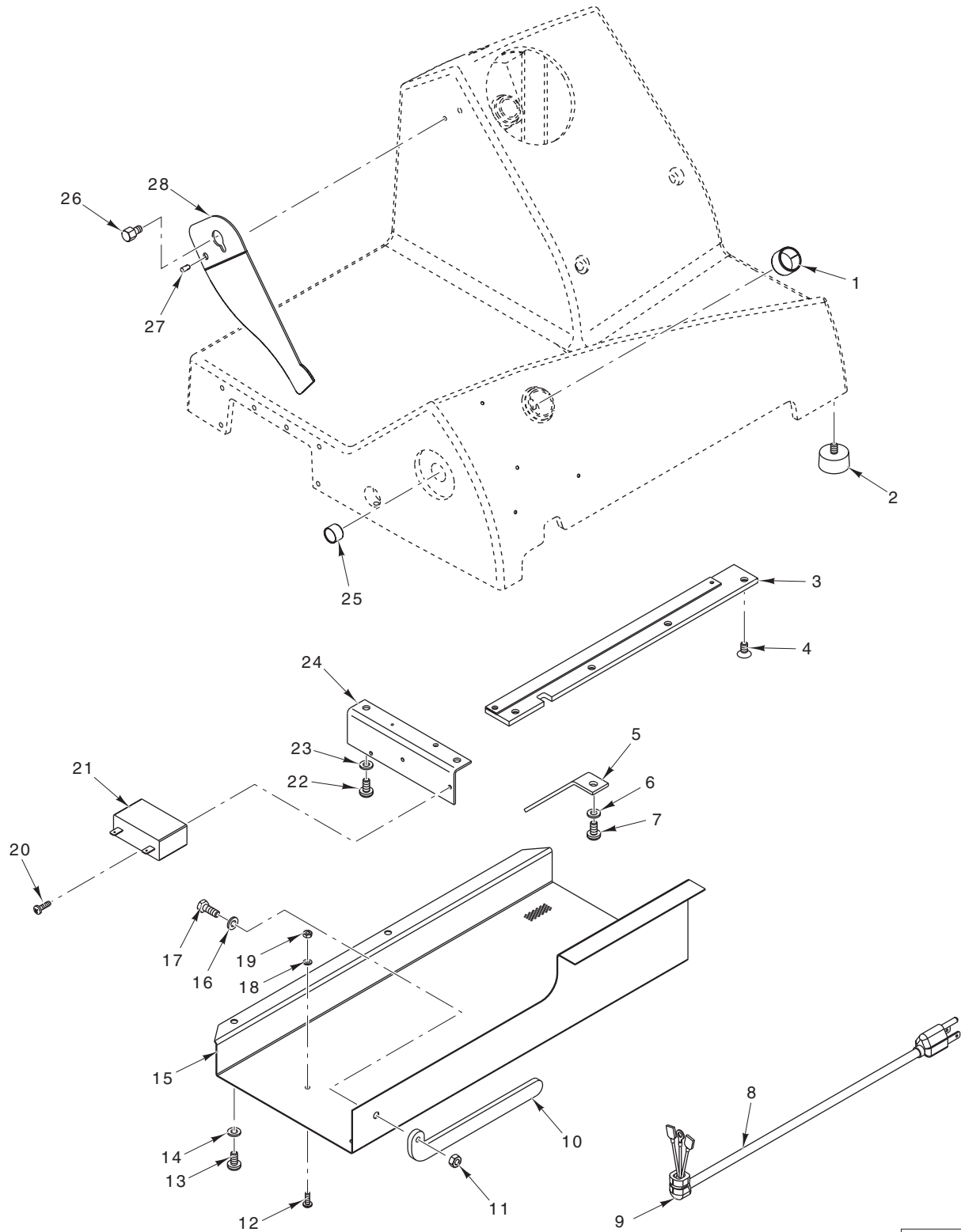


PL-55513

ARM AND CARRIAGE

ARM AND CARRIAGE

ILLUS. PL-55513	PART NO.	NAME OF PART	AMT.
1	00-479413	Spacer – Meat Grip	1
2	00-479351	Grip – Meat (Incls. Items 3, 4, & 5)	1
3	00-479373	Handle – Meat Grip	1
4	00-479332	Bearing – Meat Grip	2
5	00-479370	Plug – Meat Grip	1
6	00-479333	Slide Rod – Meat Grip	1
7	00-479335-00002	Tray	1
8	00-479334-00002	Arm – Tray	1
9	00-479426	Washer – Tray Arm	1
10	WL-019-74	Lockwasher M8 Helical	2
11	SC-118-73	Cap Screw M8 x 1.25 x 30 mm Hex Hd.	2
12	00-479432	Tray Arm Knob Assy.	1
13	00-479376	Pin – Tray Arm	1
14	RR-012-09	Retaining Ring	2
15	RR-012-13	Retaining Ring	1
16	00-479349-00002	Carriage	1
17	00-479416	Set Screw (Special)	1
18	NS-200-02	Nut M8 x 1.25 Hex	1
19	00-479369	Bushing – Carriage	2
20	00-479325	Rod – Transport	1
21	SC-117-36	Set Screw M6 x 1 x 8 mm Hex Hdls., Cup Pt.	2
22	00-479388	Bumper – Slide Rod	2
23	00-479427	Stud – Carriage Bearing	1
24	BB-021-46	Bearing – Ball	1
25	00-479396	Spacer – Carriage Bearing	1
26	00-479415	Wick – Carriage	1
27	00-479350	Bracket – Carriage Bearing	1
28	00-479322	Arm – Tray Interlock	1
29	00-479304	Pin – Cam Interlock	1
30	WL-020-05	Lockwasher M6 External	1
31	NS-047-50	Nut M6 x 1 Hex	1
32	SC-126-23	Set Screw M6 x 1 x 8 mm Hex Hdls., Flat Pt.	1
33	00-479305	Spring – Extension Carriage	1
34	PC-006-36	Cotter Pin	1
35	00-873226-00003	Pin – Parallel	1
36	NS-047-52	Nut M10 x 1.5 Hex	1
37	WL-019-98	Lockwasher M10 Helical	1
38	SC-125-08	Mach. Screw M5 x 0.8 x 16 mm Hex Hd.	2
39	WL-019-96	Lockwasher M5 Helical	2

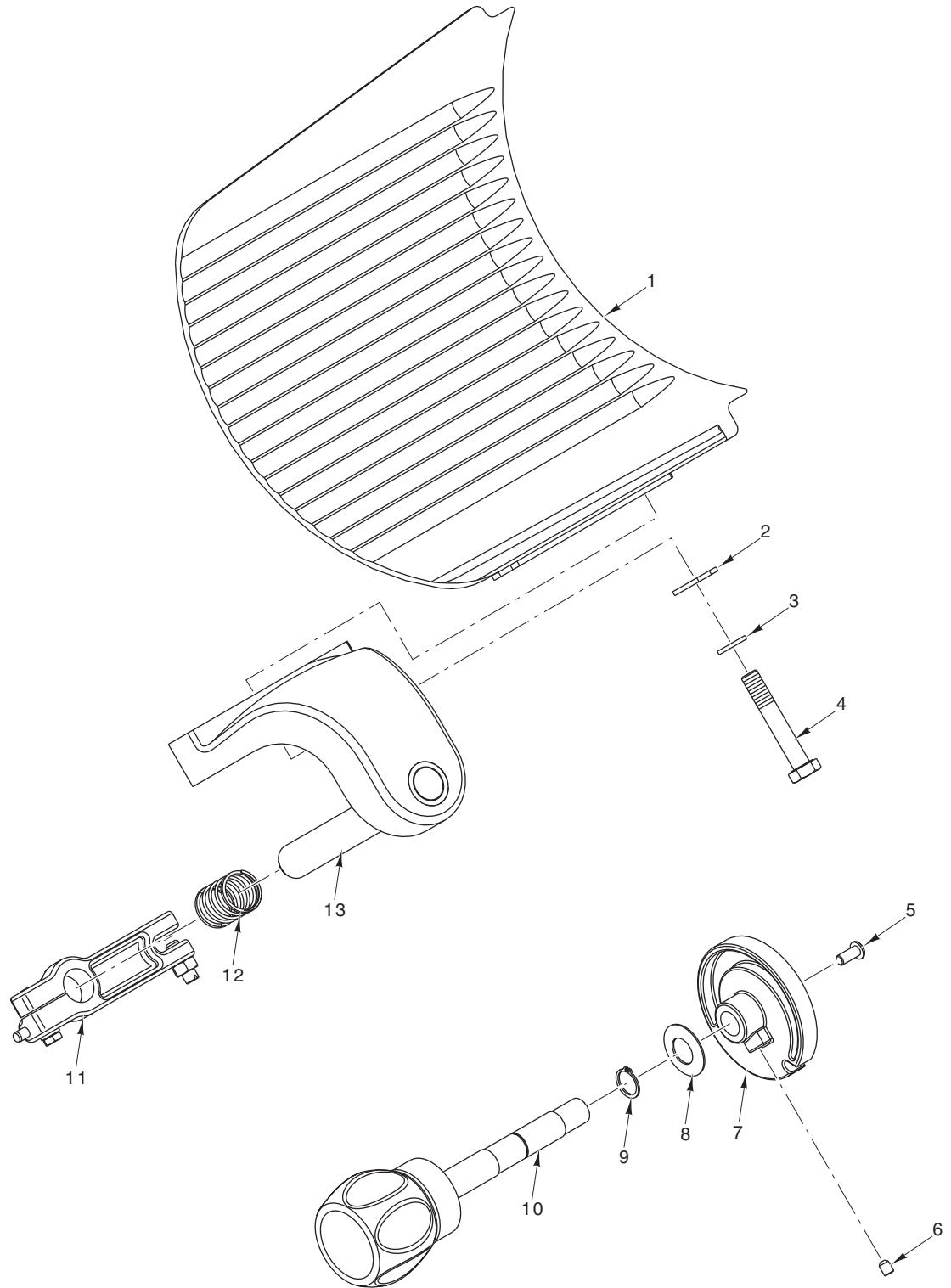


PL-55518

BASE UNIT

BASE UNIT

ILLUS. PL-55518	PART NO.	NAME OF PART	AMT.
1	00-479328	Bushing – Gauge Plate	2
2	00-479397	Foot – Base	4
3	00-479399	Carriage – Rail & Pad	1
4	SC-128-10	Mach. Screw M6 x 1 x 12 mm Phil. Flat Hd.	4
5	00-479323	Guide – Index Arm	1
6	WL-019-97	Lockwasher M6 Helical	1
7	SC-128-16	Mach. Screw M6 x 1 x 12 mm Phil. Pan Hd.	1
8	00-117542-00083	Cord & Plug Assy.	1
9	FE-021-21	Strain Relief – Electrical 90 Deg.	1
10	00-479437	LFG – Cleaning	1
11	NS-048-68	Nut M6 x 1 Hex	1
12	SC-118-28	Mach. Screw M4 x 0.7 x 12 mm Slotted Pan Hd.	1
13	SC-128-16	Mach. Screw M6 x 1 x 12 mm Phil. Pan Hd.	4
14	WL-019-97	Lockwasher M6 Helical	4
15	00-479431-00001	Cover – Bottom and Screen	1
16	WL-019-97	Lockwasher M6 Helical	1
17	SC-118-47	Cap Screw M6 x 1 x 16 mm Hex Hd.	1
18	WL-020-01	Lockwasher M4 Helical	1
19	NS-200-03	Nut M4 x 0.7 Hex	1
20	SD-038-74	Self-Tapping Screw M4 x 0.7 x 14 mm Phil. Pan Hd., Type TT	1
21	00-110979-00098	Capacitor	1
22	SC-128-16	Mach. Screw M6 x 1 x 12 mm Phil. Pan Hd.	2
23	WL-019-97	Lockwasher M6 Helical	2
24	00-479387	Bracket – Electric Component	1
25	00-479366	Bushing – Index	2
26	00-479385	Screw – Deflector	1
27	00-479379	Pin – Locator	1
28	00-479308	Deflector – Product	1

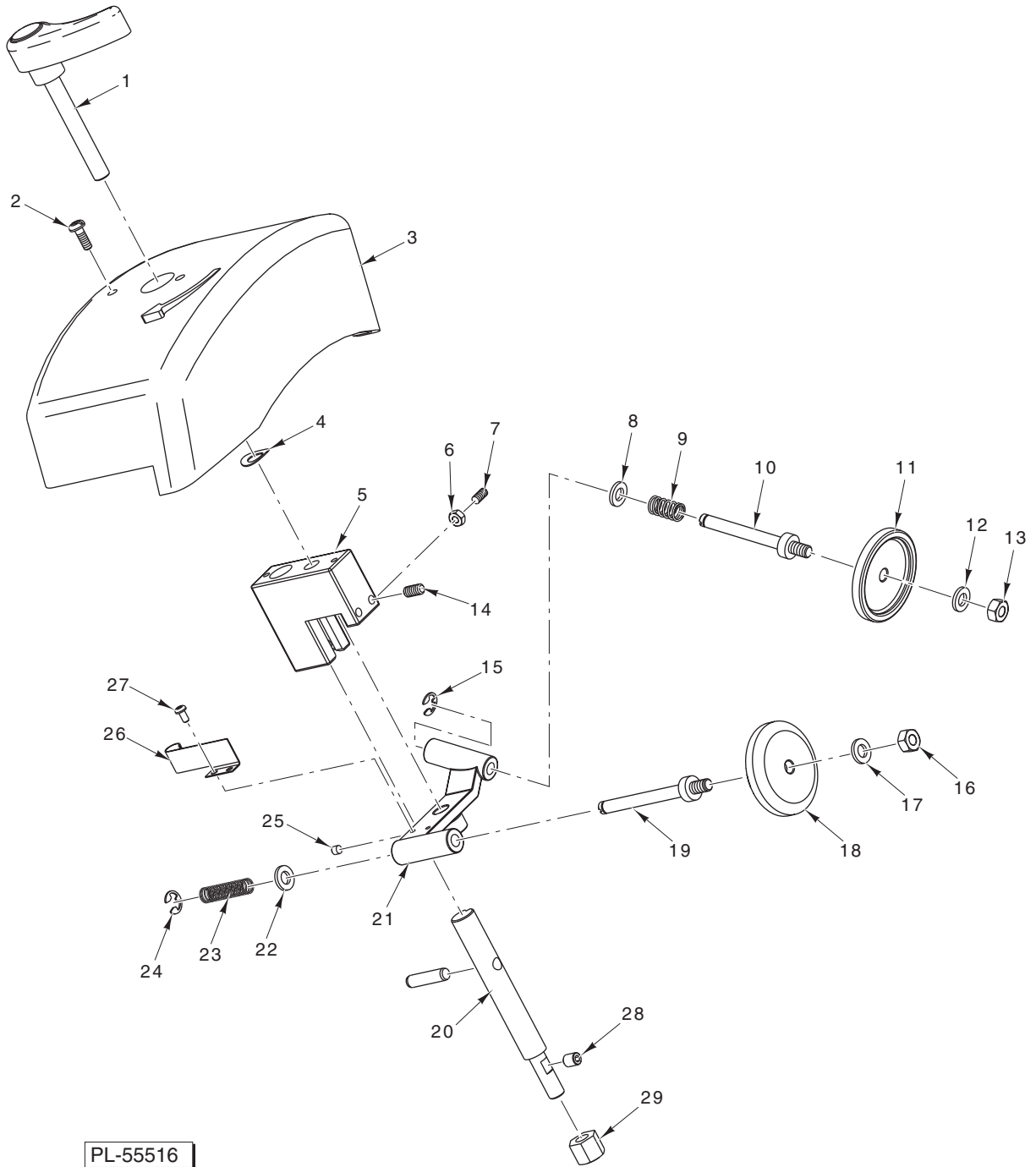


PL-55514

GAUGE PLATE UNIT

GAUGE PLATE UNIT

ILLUS. PL-55514	PART NO.	NAME OF PART	AMT.
1	00-479306-00002	Plate – Gauge	1
2	00-479336	Washer – Gauge Plate	2
3	WL-019-89	Lockwasher M10 Helical	2
4	SC-127-78	Cap Screw M10 x 1.5 x 60 mm Hex Hd.	2
5	SC-127-81	Cap Screw M6 x 1 x 14 mm Hex Button Hd.	1
6	SC-117-36	Set Screw M6 x 1 x 8 mm Hex Hdls., Cup Pt.	1
7	00-479319	Cam – Index	1
8	SL-005-03	Spring – Loading	1
9	RR-012-14	Retaining Ring	1
10	00-479367	Index and Knob Assy. (Incls. Item 9)	1
11	00-479403	Arm – Index Assy.	1
12	00-479392	Spring – Index Shaft	1
13	00-479380	Yoke – Rod Assy.	1



KNIFE SHARPENER UNIT

KNIFE SHARPENER UNIT

ILLUS. PL-55516	PART NO.	NAME OF PART	AMT.
1	00-479347	Knob – Sharpener Assy.	1
2	SC-118-28	Mach. Screw M4 x 0.7 x 12 mm Slotted Pan Hd.	2
3	00-479342	Cover – Sharpener	1
4	SL-005-09	Spring – Loading	1
5	00-479337	Mount – Sharpener	1
6	NS-200-03	Nut M4 x 0.7 Hex	1
7	SC-127-76	Set Screw M4 x 0.7 x 10 mm Hex Hdls., Cone Pt.	1
8	WS-031-17	Washer	1
9	00-479400	Spring – Grinding	1
10	00-479339	Shaft – Sharpener	1
11	00-479341	Wheel – Grinding	1
12	WS-031-17	Washer	1
13	NS-048-68	Nut M6 x 1 Hex	1
14	SC-126-44	Set Screw M5 x 0.8 x 10 mm Hex Hdls., Flat Pt.	2
15	RR-012-12	Retaining Ring	1
16	NS-048-68	Nut M6 x 1 Hex	1
17	WS-031-17	Washer	1
18	00-479398	Wheel – Truing	1
19	00-479340	Shaft – Truing	1
20	00-479356	Post – Sharpener Assy.	1
21	00-479338	Arm – Sharpener	1
22	WS-031-17	Washer	1
23	00-479345	Spring – Truing	1
24	RR-012-12	Retaining Ring	1
25	SC-126-43	Set Screw M4 x 0.7 x 6 mm Hex Hdls., Cone Pt.	1
26	00-479344	Spring – Return	1
27	SC-119-16	Mach. Screw M3 x 0.5 x 6 mm Phil. Pan Hd.	2
28	SC-117-36	Set Screw M6 x 1 x 8 mm Hex Hdls., Cup Pt.	1
29	NS-048-67	Nut M8 x 1.25 Hex (SST)	1
	00-479348	Knife Sharpener Assy. (Incls. Items 1 thru 27)	1

