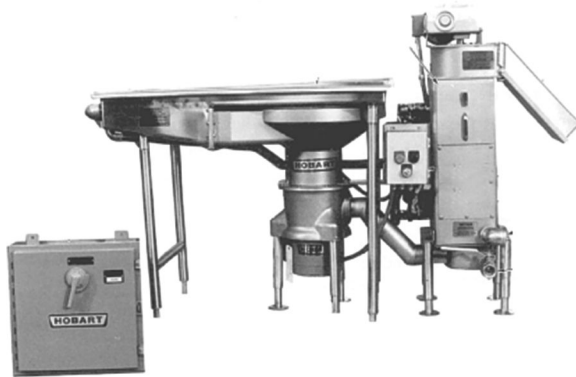




# CATALOG OF REPLACEMENT PARTS

## MODEL EL3 MINI PULPER

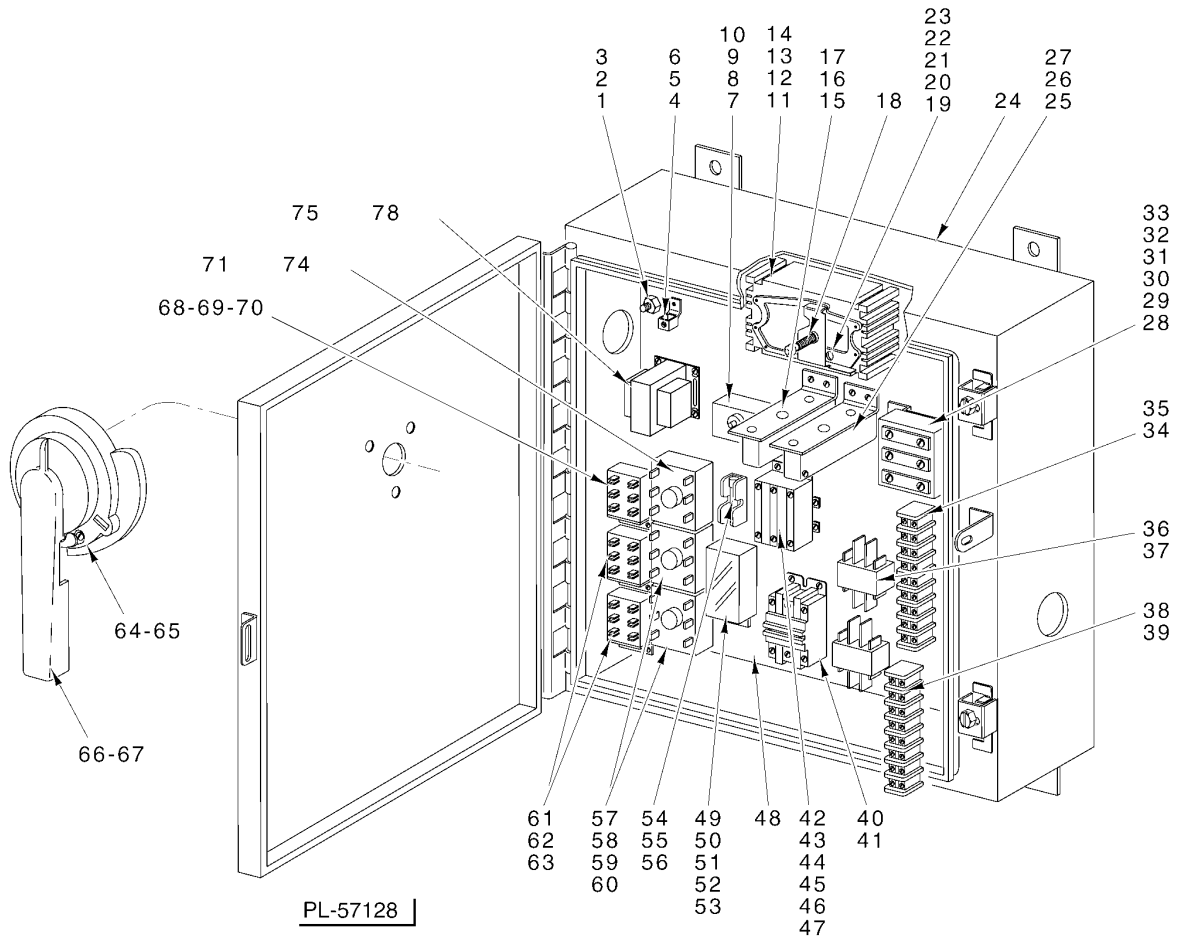


ML-103943  
ML-103944



### Table of Contents

5	CONTROL BOX
9	OVERLOAD RELAY CHART
11	DISPOSER
13	DISPOSER MOTOR
15	JUNCTION BOX
17	UPPER HOUSING
19	TABLE FLUSH ASSEMBLY
21	WATER PRESS HOUSING
23	WATER PRESS SCREW
25	PUMP PIPING
27	RECIRCULATING PUMP
29	DISCHARGE
31	SCREEN FLUSH
33	INTERLOCK SWITCHES



**CONTROL BOX**

**CONTROL BOX**

ILLUS. PL-57128	PART NO.	NAME OF PART	AMT.
1	NS-013-25	Nut 3/8-16 Hex.....	4
2	WS-028-22	Washer (SST).....	4
3	WL-014-28	NLA - Obsolete--Lockwasher 3/8 .....	4
4	00-118544-00001	Lug - Solderless.....	1
5	SD-008-25	Self-Tapping Screw 10-16 x 1/2 Phil. Pan Hd., Type B.....	1
6	WL-007-12	Lockwasher #10 External Shakeproof.....	1
7	00-087714-00036	Relay - Time Delay (Use W/Auto Shut Down).....	1
8	00-437070-00001	Module - Plug on (Use W/Auto Shut Down).....	1
9	SD-036-13	Self-Tapping Screw 1/4-20 x 1 1/4 Slotted Hex Washer Hd., Type T.....	1
10	WL-007-15	Lockwasher 1/4 External Shakeproof.....	1
11	00-223488-00007	Circuit Breaker (460/60/3, 15A).....	1
12	00-223488-00009	NLA - Obsolete--Circuit Breaker (20 Amp.).....	1
13	00-223488-00029	Circuit Breaker (200-230/60/3, 35A).....	1
14	00-270598	Mechanism - Handle (Incls. Items 19 thru 23).....	1
15	00-205113-00001	Relay (3.P.D.T.).....	1
16	00-186748	Relay Mounting.....	1
17	SD-008-17	Self-Tapping Screw 6-20 x 3/8 Phil. Bndg. Hd., Type B.....	3
18	00-223521-00002	Handle - Shaft.....	1
19	00-270599	NLA - Obsolete--Spacer.....	4
20	SC-033-22	Mach. Screw 8-32 x 3 7/8 Slotted Pan Hd. (Brass).....	4
21	WS-002-47	Washer, Brass.....	4
22	WL-005-12	Lockwasher #8 Light (Bronze).....	4
23	SC-089-69	Cap Screw 10-32 x 1/2 Socket Hex Hd.....	1
24	00-328134	Box - Control.....	1
25	00-205113-00001	Relay (3.P.D.T.).....	1
26	00-186748	Relay Mounting.....	1
27	SD-008-17	Self-Tapping Screw 6-20 x 3/8 Phil. Bndg. Hd., Type B.....	3
*28	00-563352	Relay - Thermal Overload (3Ph.).....	1
29	00-112235-00016	Heater - Element (460/60/3, 15A).....	3
30	00-112235-00017	Heater - Element (380/60/3, 20A).....	3
31	00-112235-00022	Heater - Element (230/60/3, 35A).....	3
32	00-112235-00023	Heater - Element (200/30/3, 35A).....	3
33	SD-008-25	Self-Tapping Screw 10-16 x 1/2 Phil. Pan Hd., Type B.....	2
34	00-328245	Terminal Block Assy.....	1
35	SD-008-25	Self-Tapping Screw 10-16 x 1/2 Phil. Pan Hd., Type B.....	2
36	00-087713-030-2	Control - Dual Aux. Switch.....	2
37	SD-008-25	Self-Tapping Screw 10-16 x 1/2 Phil. Pan Hd., Type B.....	4
38	00-328103	Terminal Block Assy.....	1
39	SD-008-25	Self-Tapping Screw 10-16 x 1/2 Phil. Pan Hd., Type B.....	2
40	00-121926-00002	Contactory Assy. (3 Pole, 460 V.).....	1
41	SD-008-25	Self-Tapping Screw 10-16 x 1/2 Phil. Pan Hd., Type B.....	2
*42	00-563352	Relay - Thermal Overload (3Ph.).....	1
43	00-294687-00008	Heater - Overload (460/60/3, 15A).....	3
44	00-294687-00010	Heater - Overload (380/60/3, 20A).....	3
45	00-294687-00015	Heater - Overload (230/60/3, 35A).....	3
46	00-294687-00016	Heater - Overload (480 V.).....	3
47	SD-008-25	Self-Tapping Screw 10-16 x 1/2 Phil. Pan Hd., Type B.....	2
48	00-328132	Plate - Base Control Panel.....	1
49	00-114744	Relay - Reversing.....	1
50	00-328282	Bracket - Relay Reversing.....	1
51	SD-008-25	Self-Tapping Screw 10-16 x 1/2 Phil. Pan Hd., Type B.....	2
52	WL-006-40	Lockwasher #6 Light.....	2
53	NS-009-07	Nut 6-32 Hex.....	2
54	00-294436-00003	Block - Fuse.....	1
55	FE-022-39	Fuse (1.5 Amp., 250 V.).....	1

**CONTROL BOX**

ILLUS.	PART NO.	NAME OF PART	AMT.
PL-57128			
56	SD-008-17	Self-Tapping Screw 6-20 x 3/8 Phil. Bndg. Hd., Type B.....	1
57	00-087714-00036	Relay Time Delay (Variable).....	2
58	00-437070-00001	Module - Plug-On (2 to 180 Seconds).....	2
59	SD-036-13	Self-Tapping Screw 1/4-20 x 1 1/2 Slotted Hex Washer Hd., Type T.....	2
60	WL-007-15	Lockwasher 1/4 External Shakeproof.....	2
61	00-205113-00001	Relay (3.P.D.T.).....	1
62	00-186748	Relay Mounting.....	1
63	SD-008-17	Self-Tapping Screw 6-20 x 3/8 Phil. Bndg. Hd., Type B.....	3
64	SC-033-17	Mach. Screw 1/4-20 x 7/16 Phil. Pan Hd. (Brass).....	3
65	WL-005-27	Lockwasher 1/4 .....	3
66	00-222450	Handle - Var-Depth (Incls. Items 64, 65, & 67).....	1
67	00-222962	Gasket.....	1
68	00-205113-00001	Relay (3.P.D.T.).....	1
69	00-186748	Relay Mounting.....	1
70	SD-008-17	Self-Tapping Screw 6-20 x 3/8 Phil. Bndg. Hd., Type B.....	3
71	00-087714-00038	Relay - Recycling.....	1
72	00-437070-00002	Module - Plug-On (0.5 to 20 Seconds).....	2
73	SD-036-13	Self-Tapping Screw 1/4-20 x 1 1/4 Slotted Hex Washer Hd., Type T.....	2
74	WL-007-15	Lockwasher 1/4 External Shakeproof.....	2
75	00-294500-046-1	Transformer (150 VA, 50/60 Hz.).....	1
76	00-223448	Transformer (150 VA, 380/60/3).....	1
77	SD-008-25	Self-Tapping Screw 10-16 x 1/2 Phil. Pan Hd., Type B.....	4
78	WL-007-12	Lockwasher #10 External Shakeproof.....	4

\* See Overload Relay Chart

## NOTES

Heater Element from Old Overload 00-88196-009-1		New Overload Relay
"E" Type, (112235-X) Part Number	"K" Type. (294687-X) Part Number	00-563352-0000X
E27, E28, E29, E31	K21, K22, K23	1. 00-563352-00001
E32, E33	K24, K26	2. 00-563352-00002
E34, E36, E37	K27, K28, K29	3. 00-563352-00003
E38, E39	K31, K32, K33	4. 00-563352-00004
E41, E42, E44	K34, K36	5. 00-563352-00005
E46, E47, E48	K37, K39	6. 00-563352-00006
E49, E50	K41, K42, K43	7. 00-563352-00007
E51, E52	K49	8. 00-563352-00008
E53, E55, E56	K50, K52	9. 00-563352-00009
E57	K53, K54, K55, K56, K57	10. 00-563352-00010
E60, E61, E62	K58, K60, K61, K62	11. 00-563352-00011
E65, E66, E67	K63, K64	12. 00-563352-00012
E3, E4, E5, E6		13. 00-563352-00013
E11, E12, E13, E14, E16		14. 00-563352-00014
E17, E18, E19, E23, E24		15. 00-563352-00015

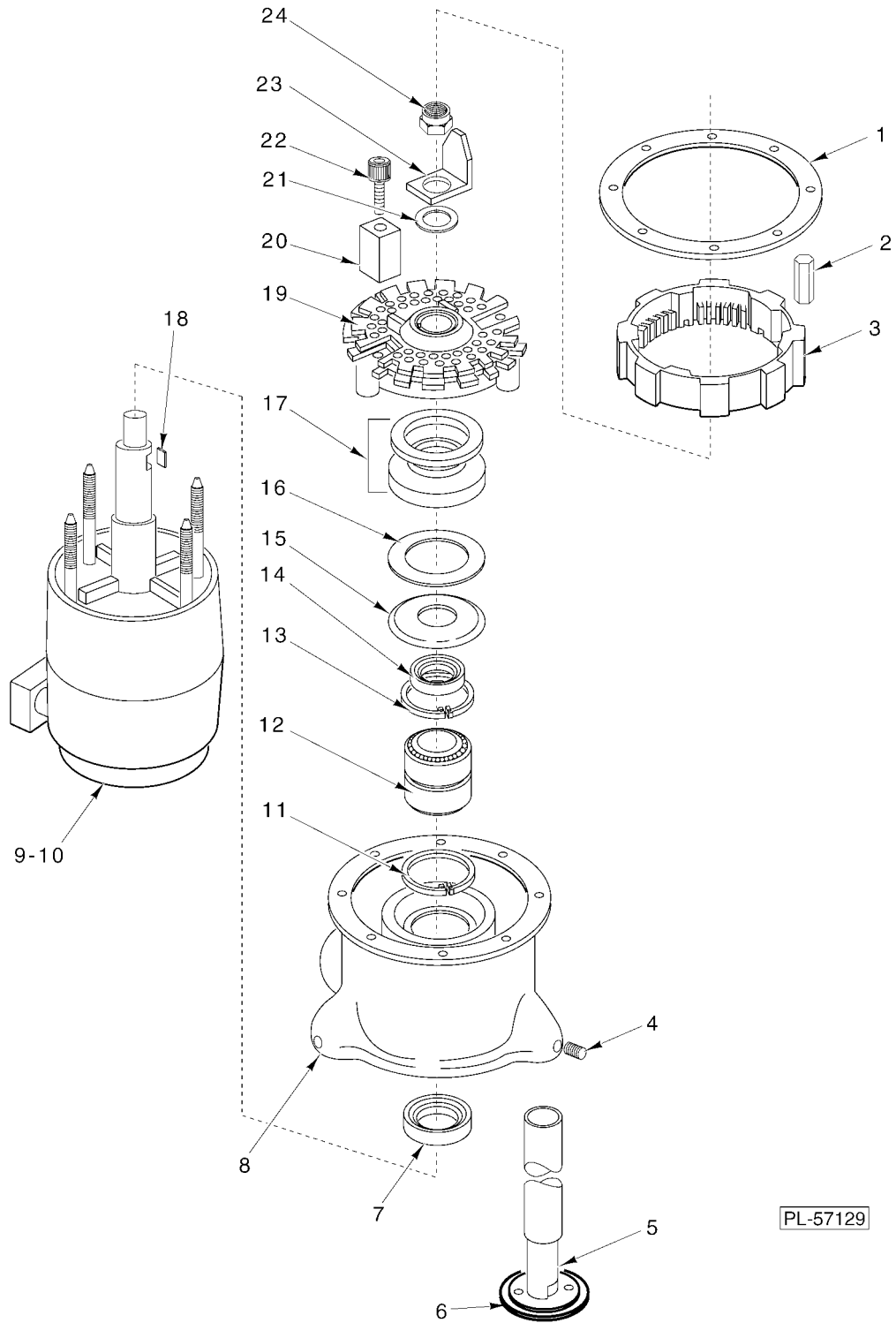
**\*Use 00-563352-00016 (Item 16) For Single Phase Applications**

PL-61588

**OVERLOAD RELAY CHART**

**OVERLOAD RELAY CHART**

ILLUS.	PART NO.	NAME OF PART	AMT.
PL-61588			
1	00-563352-00001	Relay - Thermal Overload.....	AR
2	00-563352-00002	Relay - Thermal Overload.....	AR
3	00-563352-00003	Relay - Thermal Overload.....	AR
4	00-563352-00004	Relay - Thermal Overload.....	AR
5	00-563352-00005	Relay - Thermal Overload.....	AR
6	00-563352-00006	Relay - Thermal Overload.....	AR
7	00-563352-00007	Relay - Thermal Overload.....	AR
8	00-563352-00008	Relay - Thermal Overload.....	AR
9	00-563352-00009	Relay - Thermal Overload.....	AR
10	00-563352-00010	Relay - Thermal Overload.....	AR
11	00-563352-00011	Relay - Thermal Overload.....	AR
12	00-563352-00012	Relay - Thermal Overload.....	AR
13	00-563352-00013	Relay - Thermal Overload.....	AR
14	00-563352-00014	Relay - Thermal Overload.....	AR
15	00-563352-00015	Relay - Thermal Overload.....	AR
16	00-563352-00016	Kit - Jumper Wires (1Ph.).....	AR

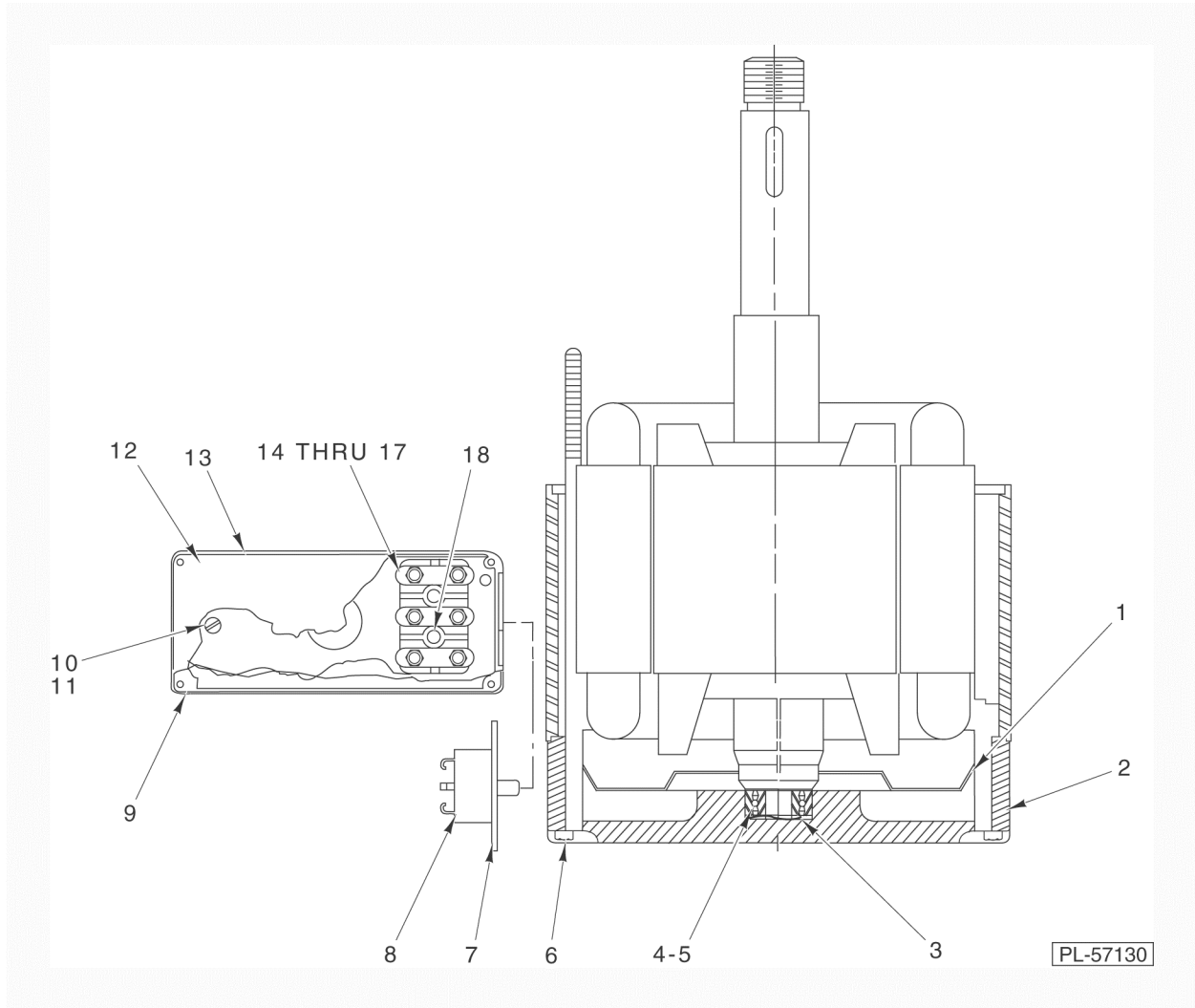


PL-57129

**DISPOSER**

**DISPOSER**

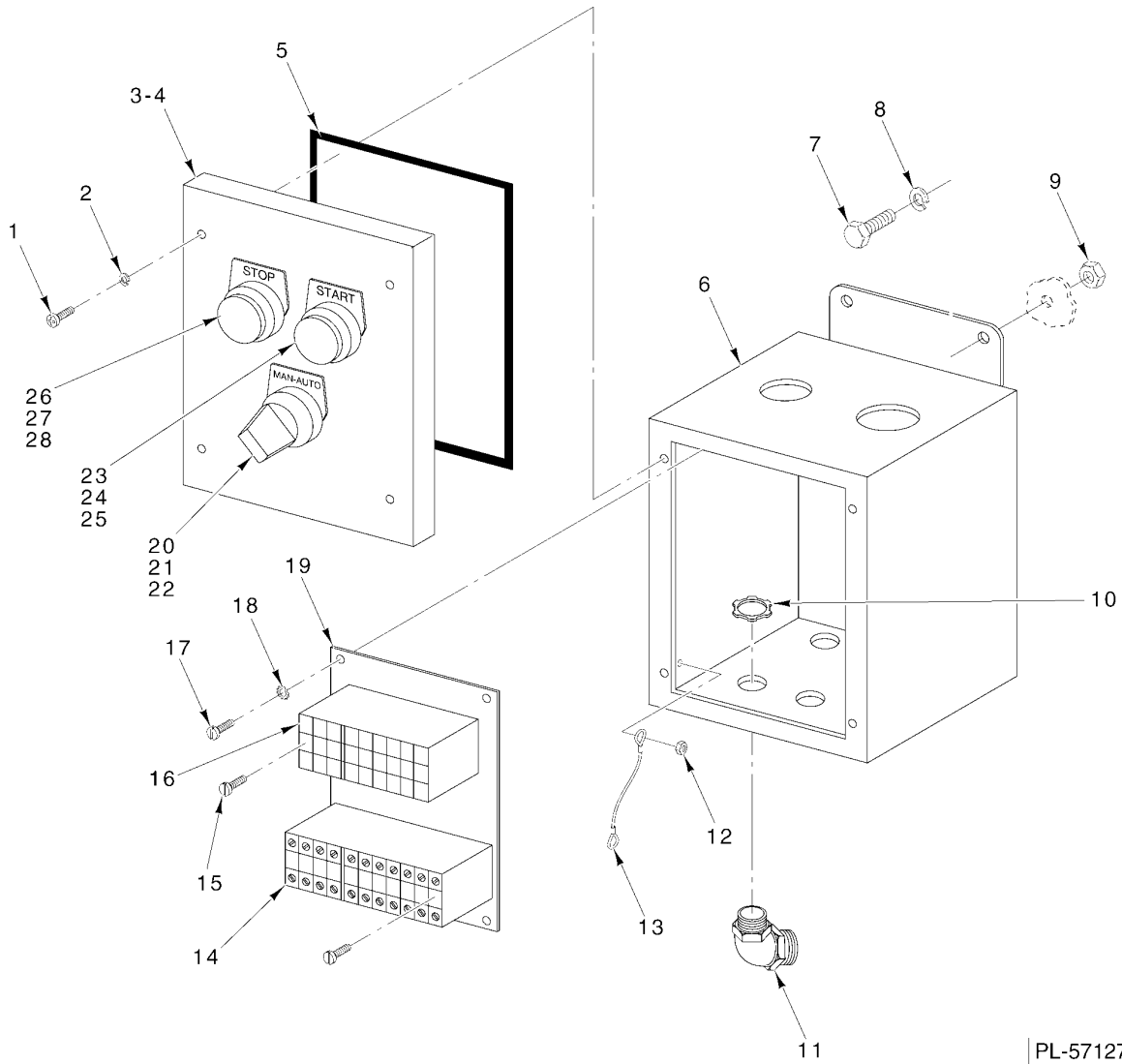
ILLUS.	PART NO.	NAME OF PART	AMT.
PL-57129			
1	00-201415	Gasket - Waste.....	1
2	00-123421	Pin - Shredder Lock.....	1
3	00-201231	Ring - Shredder.....	1
4	SC-088-36	Set Screw 5/16-18 x 1/2 Hex Hds., Cup Pt.....	3
5	00-289026-00002	Leg - Adjusting.....	3
6	00-223063-00003	Pad - Vibration.....	3
7	00-201466	Seal - Oil.....	1
8	00-276070	Lower Housing Assy.....	1
9	00-121009-00002	Motor (50 Hz.).....	1
10	00-475137-00009	Motor (60 Hz.).....	1
11	RR-011-66	Retaining Ring.....	1
12	00-202920	Bearing.....	1
13	RR-011-66	Retaining Ring.....	1
14	00-202709	Spacer - Shaft.....	1
15	00-202729	Slinger - Water.....	1
16	00-118910	Support - Seal.....	1
17	00-117072	Water Seal Assy.....	1
18	00-203617	Key - Shaft.....	1
19	00-328360	Flywheel.....	1
20	00-201223-00005	Cutter - Flywheel.....	2
21	00-272005	Washer - Sealing.....	1
22	00-202556-00003	Screw.....	2
23	00-201237	Cutter - Hi-Bulk.....	1
24	NS-031-45	Stop Nut 11/8-12 Hex.....	1
	00-200435	Seal & Bearing Kit (Incls. Items 7, 12, 14, 15, 17, 21, & 24).....	1



**DISPOSER MOTOR**

**DISPOSER MOTOR**

ILLUS.	PART NO.	NAME OF PART	AMT.
PL-57130			
1	00-116744	Baffle.....	1
2	00-120836	Bracket - Bearing.....	1
3	SL-005-01	Spring - Loading.....	1
4	BB-017-36	Ball Bearing - SKF #6250Z (50 Hz.).....	1
5	BB-008-33	Ball Bearing - Fafnir #205W (60 Hz.).....	1
6	00-120994	Bolt.....	4
7	00-116745-00001	Bracket - Protector.....	1
8	00-201982-00016	Protector.....	1
9	00-294028	Back - Plate.....	1
10	SD-034-59	Self-Tapping Screw 10-32 x 3/8 Phil. Pan Hd., Type T.....	1
11	WC-004-10	Washer - Countersunk.....	1
12	00-120991	Cover - Conduit Box.....	1
13	00-120990	Box - Conduit.....	1
14	00-270172	Terminal Block.....	1
15	NS-047-24	Nut M4 x 0.7 Hex.....	6
16	00-270676	Strap - Jumper.....	3
17	00-116801	NLA - Obsolete--Spacer - Terminal Block.....	1
18	SC-060-39	Mach. Screw 6-32 x 7/8 Slotted Rd. Hd.....	AR

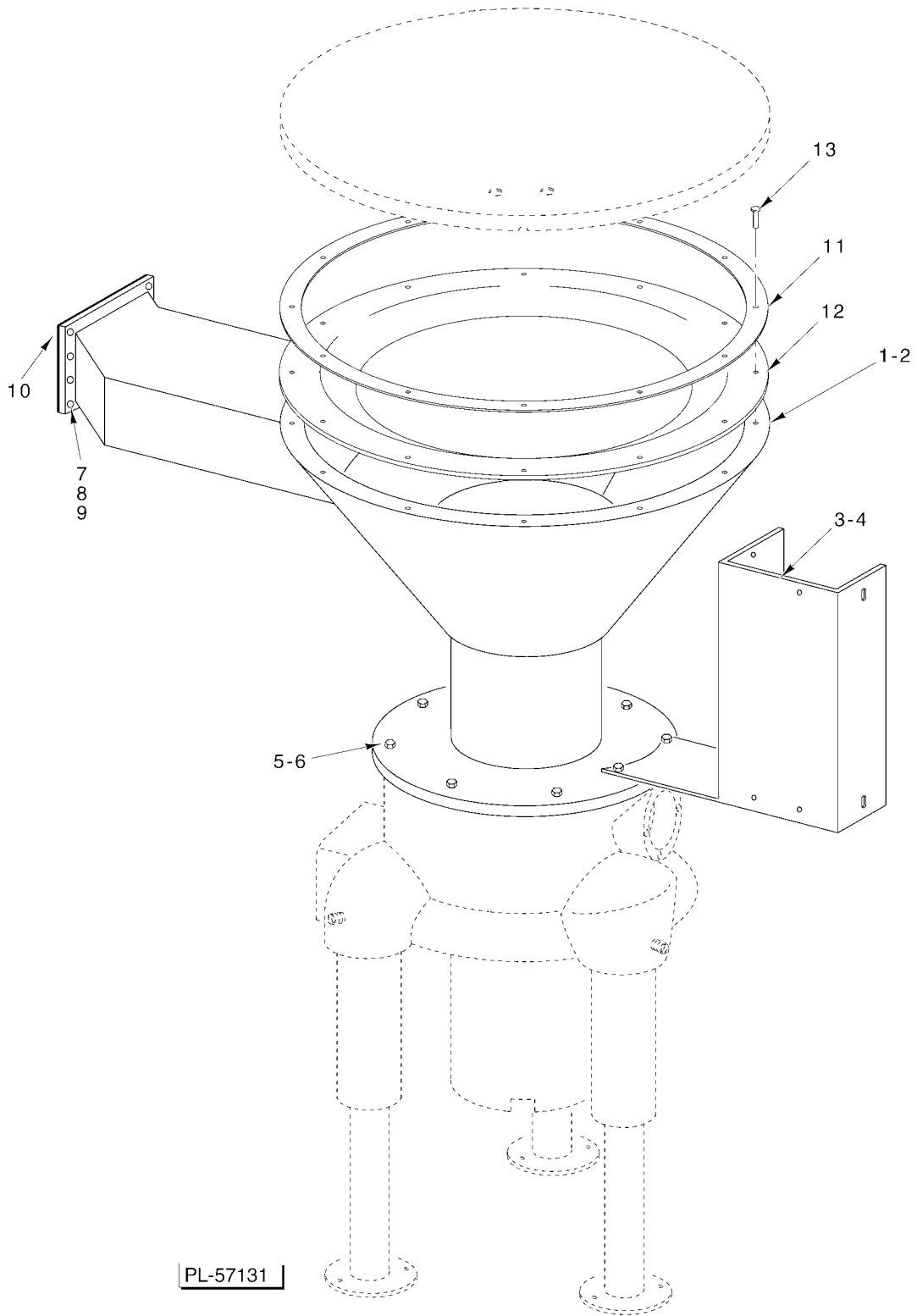


PL-57127

### JUNCTION BOX

**JUNCTION BOX**

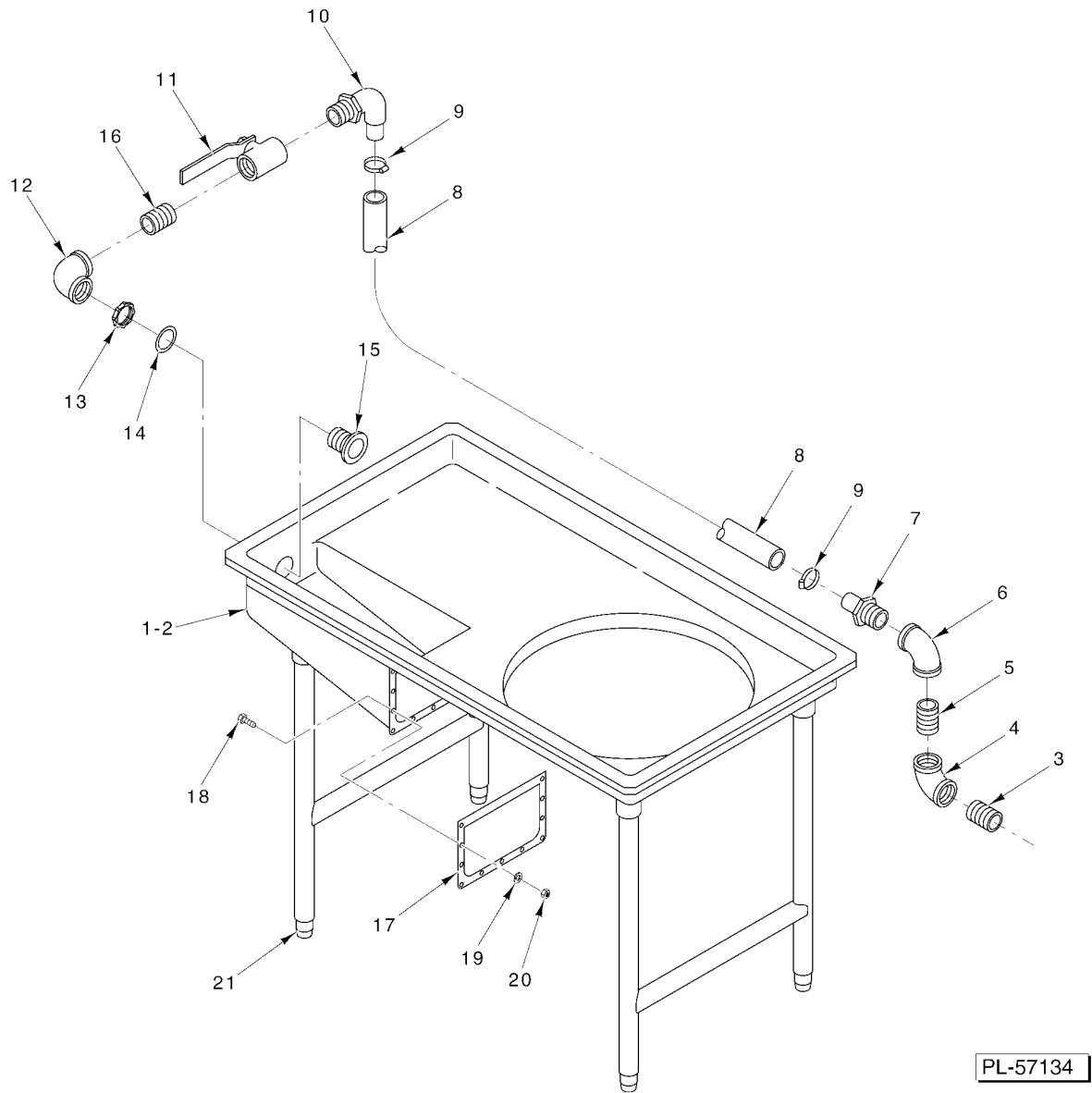
ILLUS.	PART NO.	NAME OF PART	AMT.
PL-57127			
1	SC-066-06	Mach. Screw 10-24 x 1/2 Phil. Truss Hd. (SST).....	4
2	WL-006-07	Lockwasher #10 Helical.....	4
3	00-329642-00001	NLA - Obsolete--Cover - Electric Box.....	1
4	00-329642-00002	NLA - Obsolete--Cover - Electric Box (W/Auto Shut Down).....	1
5	00-545193	Gasket (2.2 Ft. Lg.).....	AR
6	00-329647	NLA - Obsolete--Box Electric Assy.....	1
7	SC-041-50	Cap Screw 1/4-20 x 1/2 Hex Hd. (SST).....	4
8	WL-006-17	Lockwasher 1/4 Helical (SST).....	4
9	NS-015-01	Nut 1/4-20 Hex (SST).....	4
10	FE-008-10	1/2 Gasket Assy.....	7
11	FE-007-02	Connector 45 Deg. "Sealtite" (1/2 Male Thd. x 3/8 Flex. Cnd.).....	7
12	NS-031-16	Stop Nut 10-24 Hex.....	2
13	00-290889	Cable - Eyelet Assy.....	1
14	00-328246	Terminal Block Assy. (Lower).....	1
15	SD-008-25	Self-Tapping Screw 10-16 x 3/8 Phil. Pan Hd., Type B.....	4
16	00-328245	Terminal Block Assy. (Upper).....	1
17	SC-053-05	Mach. Screw 10-24 x 3/8 Slotted Truss Hd.....	4
18	WL-014-07	Lockwasher #10 External Shakeproof.....	1
19	00-328242	Plate - Junction Box.....	1
20	00-087711-163-1	Switch - Selector.....	1
21	00-087711-165-1	Boot - Selector.....	1
22	00-087711-166-3	Plate - Legend.....	1
23	00-087711-166-1	Plate - Legend.....	1
24	00-087711-162-4	Boot - Pushbutton.....	1
25	00-087711-161-4	Switch - Push-button.....	1
26	00-087711-161-2	Switch - Push-button.....	1
27	00-087711-162-2	Boot - Pushbutton.....	1
28	00-087711-166-2	Plate - Legend.....	1
	00-473440-00001	Enclosure & Lid Assy. (Incls. Items 1, 2, 3, 5, 6, 12, & 13).....	1
	00-473440-00002	Enclosure & Lid Assy. (Incls. Items 1, 2, 4, 5, 6, 12, & 13).....	1
	00-328254-00001	Junction Box Assy. (Incls. Items 1, 2, 3, 5, 6, 12 thru 19, & 23 thru 28).....	1
	00-328284-00001	Junction Box Assy. (W/Auto Shut Down) (Incls. Items 1, 2, 4, 5, 6, & 12 thru 28).....	1



**UPPER HOUSING**

**UPPER HOUSING**

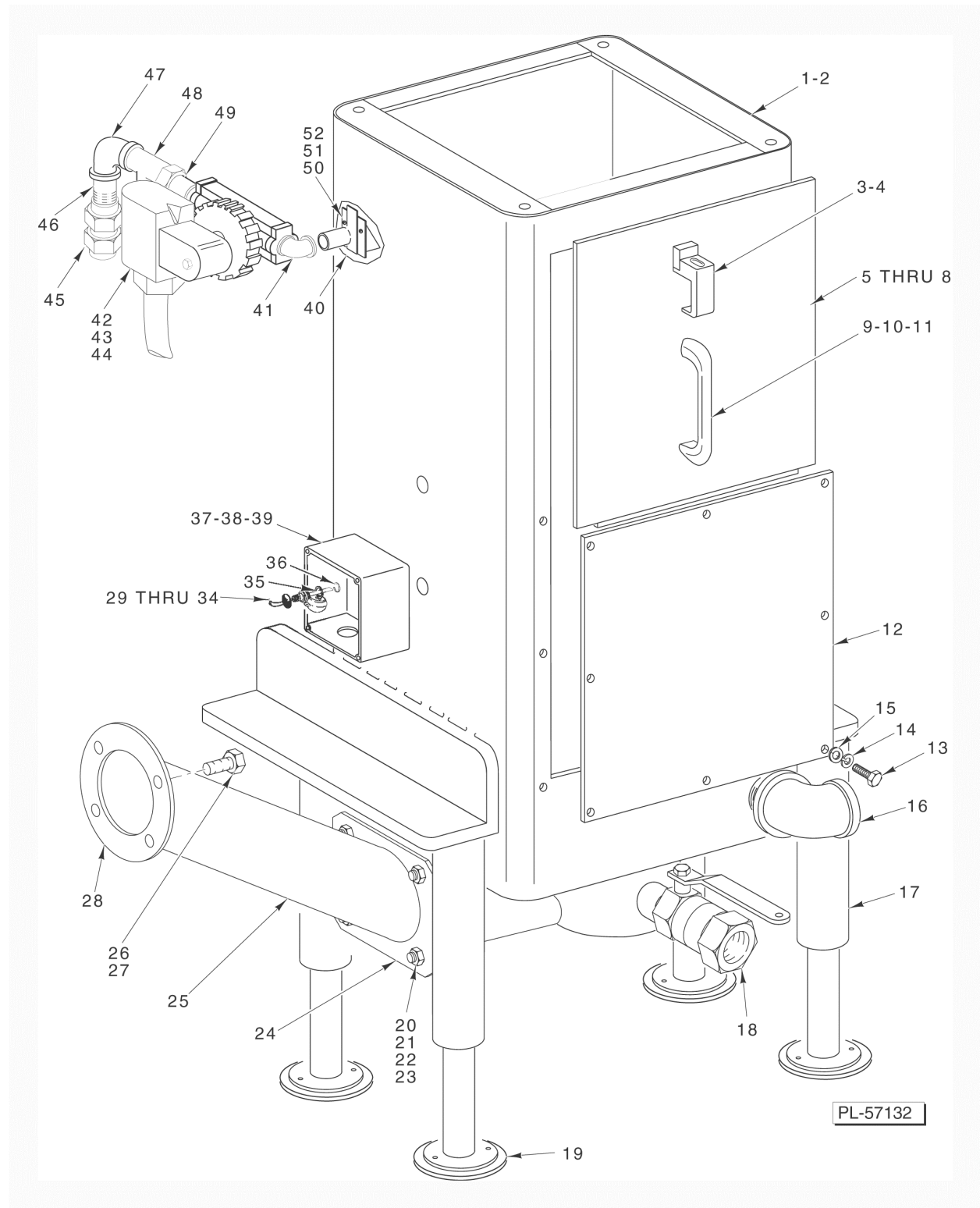
ILLUS.	PART NO.	NAME OF PART	AMT.
PL-57131			
1	00-328199-00001	Cone Weldment (L-R).....	1
2	00-328199-00002	Cone Weldment (R-L).....	1
3	00-328097-00001	Bracket - Stabilizer (L-R).....	1
4	00-328097-00002	NLA - Obsolete--Bracket - Stabilizer (R-L).....	1
5	SC-041-13	Cap Screw 5/16-18 x 1 Hex Hd. (SST).....	8
6	WL-006-23	Lockwasher 5/16 Helical (SST).....	8
7	SC-041-01	Cap Screw 1/4-20 x 3/4 Hex Hd.....	11
8	WL-006-17	Lockwasher 1/4 Helical (SST).....	11
9	NS-015-01	Nut 1/4-20 Hex (SST).....	11
10	00-222974-00001	Gasket - Feed Trough.....	1
11	00-216810-00007	Ring - Retaining (21 1/2 I.D.).....	1
12	00-222397-00008	Gauge - Gasket (19 1/2 I.D.).....	1
13	RS-030-21	NLA - Obsolete--Rivet.....	12



**TABLE FLUSH ASSEMBLY**

**TABLE FLUSH ASSEMBLY**

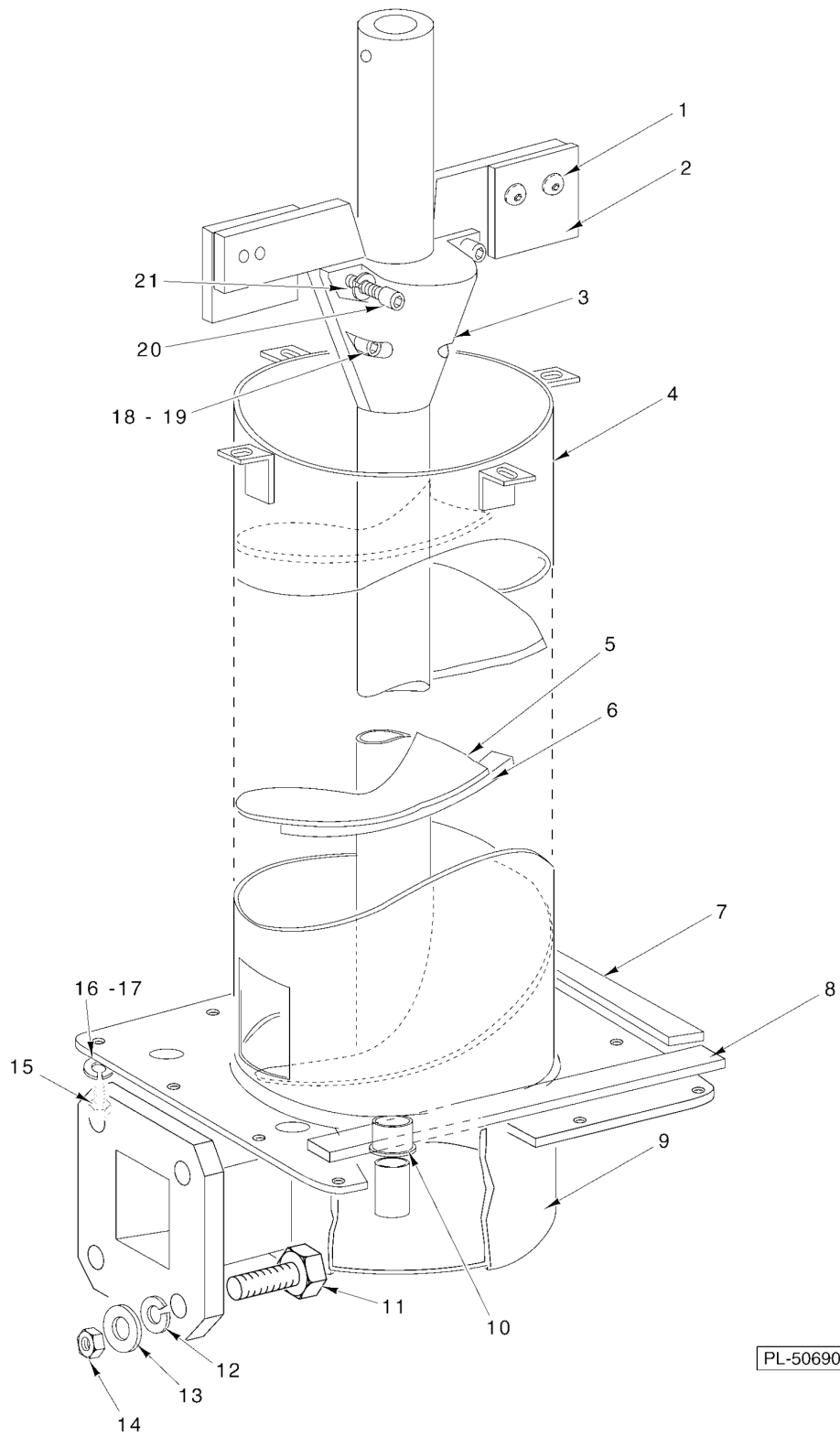
ILLUS.	PART NO.	NAME OF PART	AMT.
PL-57134			
1	00-328572-00001	NLA - Obsolete--Table - Weldment (L-R).....	1
2	00-328572-00002	NLA - Obsolete--Table - Weldment (R-L) (Not Shown).....	1
3	FP-039-58	Pipe 1 1/2 x 1 3/4 TBE.....	1
4	FP-014-31	Elbow 1 1/2 x 90 Deg.....	1
5	FP-039-66	NLA - Obsolete--Pipe 1 1/2 x 3 1/2 TBE.....	1
6	FP-014-31	Elbow 1 1/2 x 90 Deg.....	1
7	FP-087-91	Fitting - Hose.....	1
8	00-545655	Hose.....	1
9	00-534651	Clamp - Hose.....	2
10	FP-087-92	Fitting - Hose.....	1
11	00-223220-00001	Valve - Ball (1 1/2).....	1
12	FP-014-31	Elbow 1 1/2 x 90 Deg.....	1
13	FP-030-07	Lock Nut 1 1/2 Pipe.....	1
14	00-328230	Gasket - Nozzle.....	1
15	00-328096	Trough Nozzle Assy.....	1
16	FP-039-58	Pipe 1 1/2 x 1 3/4 TBE.....	1
17	00-222974-00001	Gauge - Gasket (Feed Trough).....	1
18	SC-041-01	Cap Screw 1/4-20 x 3/4 Hex Hd.....	11
19	WL-006-17	Lockwasher 1/4 Helical (SST).....	11
20	NS-015-01	Nut 1/4-20 Hex (SST).....	11
21	00-288946-00002	Foot.....	4



**WATER PRESS HOUSING**

## WATER PRESS HOUSING

ILLUS. PL-57132	PART NO.	NAME OF PART	AMT.
1	00-328084-00001	Shell Weldment (L-R).....	1
2	00-328084-00002	NLA - Obsolete--Shell Weldment (R-L).....	1
3	00-082474	Fastener - Panel.....	1
4	WL-014-34	Lockwasher 5/8.....	1
5	00-216069	Removable Cover Assy. (Incls. Items 3, 4, & 5 thru 11).....	1
6	00-216998-00001	Door - Access 10 1/2 Long.....	1
7	00-222410-00005	Gasket 7 1/2 Long.....	1
8	00-222411-00007	Gauge - Gasket 9 3/4 Long.....	1
9	00-222559	Handle.....	1
10	SC-021-22	Mach. Screw 10-24 x 3/8 Slotted Rd. Hd. (SST).....	2
11	WL-014-07	Lockwasher #10 External Shakeproof (SST).....	2
12	00-222194-00003	Door - Access.....	1
13	SC-041-50	Cap Screw 1/4-20 x 1/2 Hex Hd. (SST).....	7
14	WL-006-17	Lockwasher 1/4 Helical (SST).....	7
15	WS-017-06	Washer (SST).....	7
16	FP-014-37	NLA - Obsolete--Elbow - Pipe 2 x 90 Deg.....	1
17	00-289026-00002	Leg - Adjusting.....	4
18	00-223220-00001	Valve Ball 1 1/2.....	1
19	00-223063-00003	Pad - Vibration.....	4
20	SC-041-30	Cap Screw 3/8-16 x 1 Hex Hd.....	4
21	NS-015-13	Nut 3/8-16 Hex (SST).....	4
22	WS-006-44	Washer (SST).....	4
23	WL-006-28	Lockwasher 3/8 Helical.....	4
24	00-328225	Gasket - Piping Slurry.....	1
25	00-474412	NLA - Obsolete--Piping - Weldment Slurry.....	1
26	SC-041-12	Cap Screw 5/16-18 x 7/8 Hex Hd. (SST).....	4
27	WL-006-23	Lockwasher 5/16 Helical (SST).....	4
28	00-201414	Gasket.....	1
29	NS-018-28	Jam Nut 1/2-20 Hex (SST).....	1
30	WL-014-31	Lockwasher 1/2 External Shakeproof (SST).....	1
31	RR-010-13	Retaining Ring.....	1
32	WS-010-40	Washer - Thrust.....	1
33	00-328495	Switch & Probe Assy. (Incls. Items 31, 34, & 36).....	1
34	00-122674	Float Assy.....	1
35	00-067500-00072	O-Ring.....	1
36	00-112467	Retainer - Float.....	1
37	00-328279	Box - Flat Fill.....	1
38	00-288465	Lid & Gasket Assy.....	1
39	SD-012-20	Self-Tapping Screw 8-32 x 1/2 Phil. Truss Hd., Type T.....	4
40	00-328381	NLA - Obsolete--Deflector - Fill.....	1
41	FP-015-24	Elbow - Pipe 3/4 x 90 Deg. (Brass).....	1
42	00-271002-00001	Valve - Solenoid (3/4 110-120 V.).....	1
43	00-271839	Coil.....	1
44	00-271838	Service Kit - Solenoid Valve.....	1
45	00-223473	Back - Backflow Prevent.....	1
46	FP-041-50	Pipe 3/4 x 1 3/8 (Brass).....	1
47	FP-015-24	Elbow - Pipe 3/4 x 90 Deg. (Brass).....	1
48	FP-019-28	Tee 3/4 (Bronze).....	1
49	FP-041-50	Pipe 3/4 x 1 3/8 (Brass).....	1
50	SC-053-16	Mach. Screw 5/16-18 x 5/8 Slotted Truss Hd.....	2
51	WL-006-22	Lockwasher 5/16 Light.....	4
52	NS-015-01	Nut 1/4-20 Hex (SST).....	4

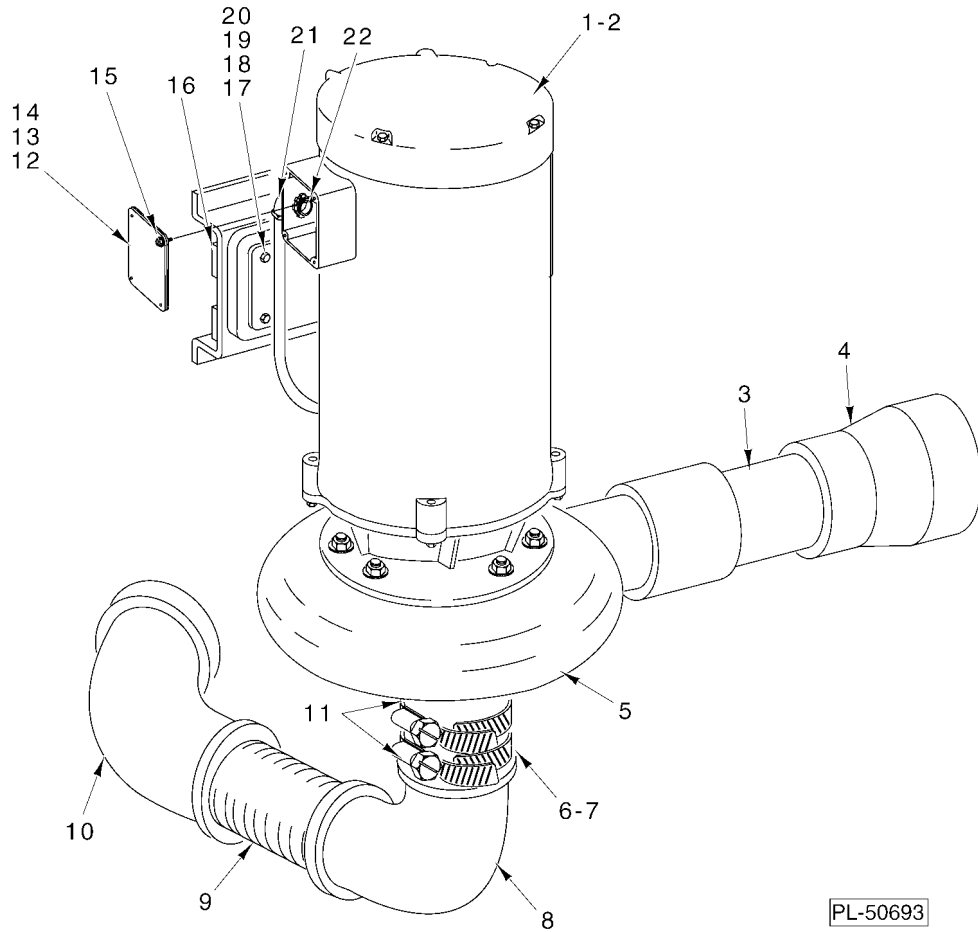


PL-50690

**WATER PRESS SCREW**

**WATER PRESS SCREW**

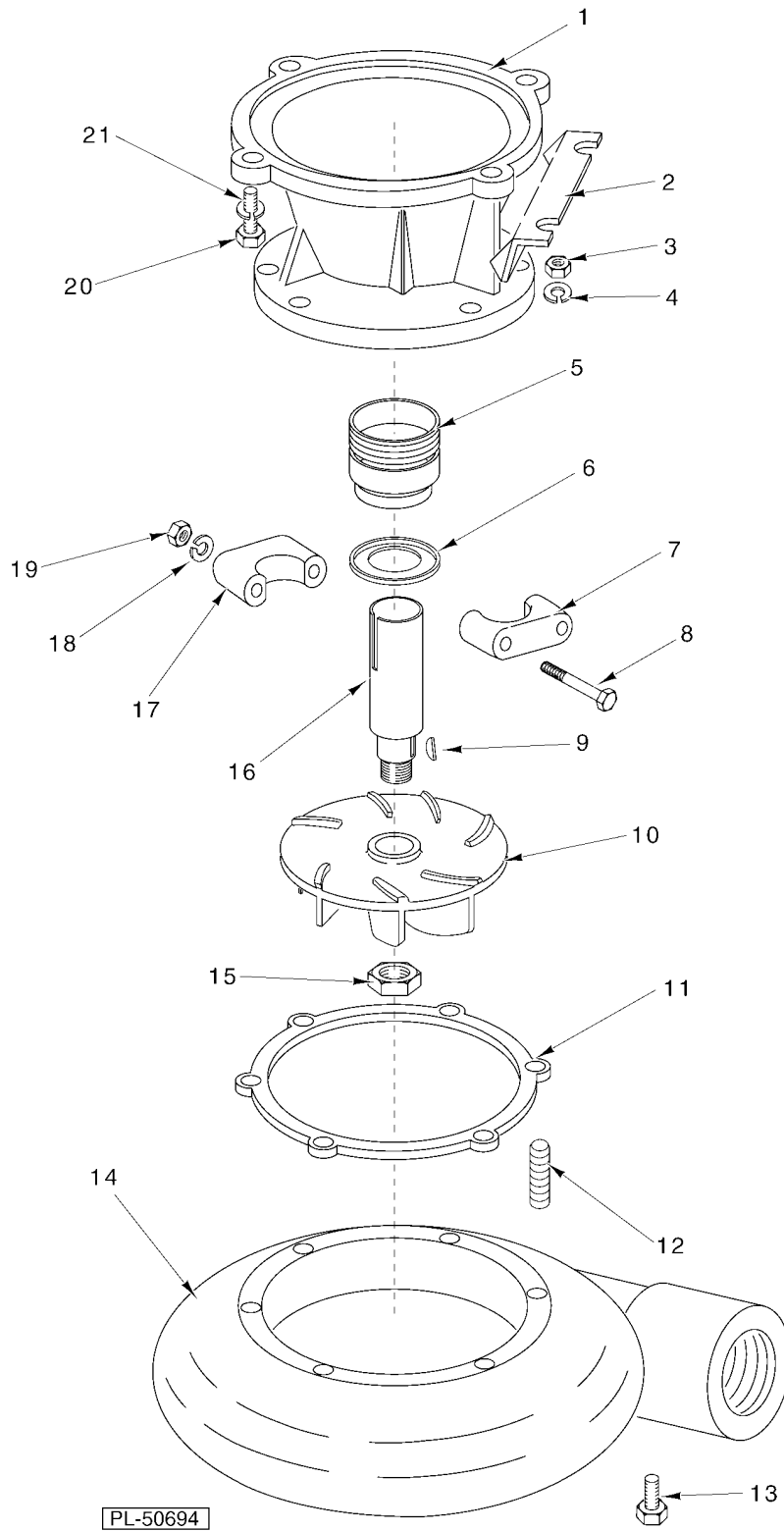
ILLUS.	PART NO.	NAME OF PART	AMT.
PL-50690			
1	SC-076-02	Cap Screw 1/4-20 x 5/8 Soc. Button Hd.....	4
2	00-222361-00001	Plate - Wiper.....	2
3	00-222419-00001	Cone - Compression.....	1
4	00-216016	Screen.....	1
5	00-216045	Screw (Incls. Items 6 & 10).....	1
6	00-222562-00013	Brush - Screw.....	1
7	00-222968-00003	Gasket 1/8 x 1 x 8 1/2.....	2
8	00-222968-00004	Gasket 1/8 x 1 x 10 1/2.....	2
9	00-328288	Sump - Slurry Weldment.....	1
10	00-222424-00001	Bearing - Screw (Oilless).....	1
11	SC-041-30	Cap Screw 3/8-16 x 1 Hex Hd. (SST).....	4
12	WL-006-28	Lockwasher 3/8.....	AR
13	WS-006-44	Washer (SST).....	4
14	NS-015-13	Nut 3/8-16 Hex (SST).....	4
15	SC-041-05	Cap Screw 1/4-20 x 5/8 Hex Hd.....	12
16	WS-017-06	Washer (SST).....	12
17	WL-006-17	Lockwasher 1/4 Medium (Use W/Item 16).....	12
18	SC-059-15	Cap Screw 10-24 x 1 Hex Socket Hd.....	2
19	WL-006-07	Lockwasher #10 Helical (SST).....	2
20	SC-059-30	Cap Screw 1/4-20 x 1 Hex Hd.....	2
21	WL-006-17	Lockwasher 1/4 Helical (SST).....	2
	00-216257-00001	NLA - Obsolete--Compression Cone (Incls. Items 1, 2, 3, & 18 thru 21).....	1



**PUMP PIPING**

**PUMP PIPING**

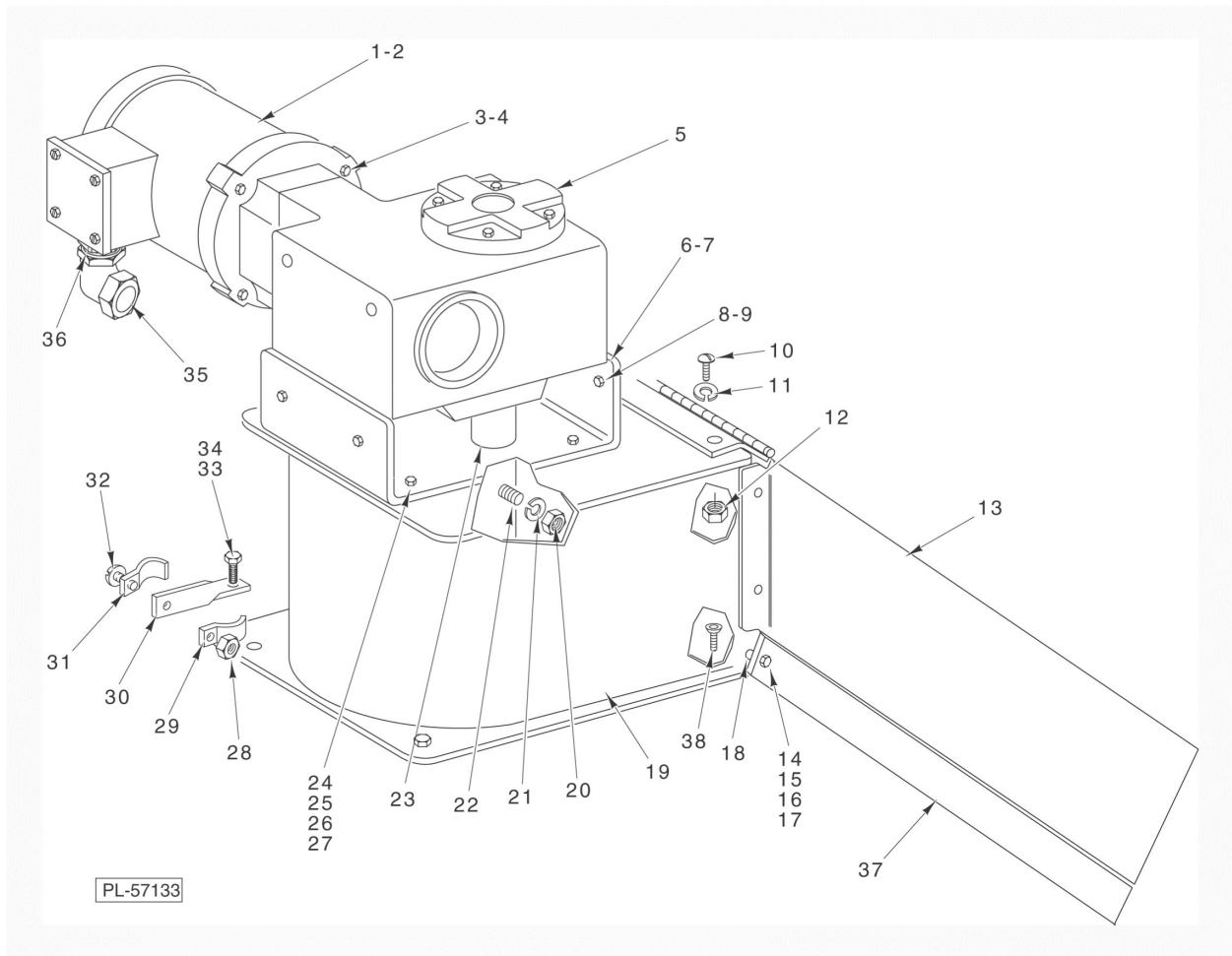
ILLUS.	PART NO.	NAME OF PART	AMT.
PL-50693			
1	00-223231-00001	Motor 1/2 Hp. (200-400/60/3).....	1
2	00-223231-00002	Motor 1/2 Hp. (230-460/60/3).....	1
3	FP-045-67	Pipe 1 1/4 x 5.....	1
4	FP-024-40	NLA - Obsolete--Coupling - Reducing 1 1/2 to 1 1/4.....	1
5	00-328378	Pump - Recirculating.....	1
6	00-222565-00003	Clamp.....	2
7	00-222434-00008	Tube - Plastic.....	1
8	FP-014-31	Elbow - Pipe 1 1/2 x 90 Deg.....	1
9	FP-039-64	Pipe 1 1/2 x 2 1/2.....	1
10	FP-014-33	Elbow - Pipe 1 1/2 x 45 Deg.....	1
11	00-222371-00025	Pipe.....	2
12	00-436073	Gasket - Housing.....	1
13	00-436072	Cover - Housing.....	1
14	SC-093-03	Mach. Screw 8-32 x 3/8 Slotted Pan Hd. (SST).....	4
15	WL-006-02	Lockwasher #8 Helical (SST).....	4
16	00-328218	Plate - Nut Motor Mount.....	2
17	SC-041-11	Cap Screw 5/16-18 x 3/4 Hex Hd. (SST).....	4
18	WS-005-39	Washer (SST).....	4
19	WL-006-23	Lockwasher 5/16 Helical (SST).....	4
20	NS-015-11	Nut 5/16-18 Hex (SST).....	4
21	FE-007-03	Connector 90 Deg. "Sealtite" (1/2 Male Thd. x 3/8 Flex Cnd.).....	1
22	FE-008-10	1/2 Gasket Assy.....	1
	00-513456	Plastic Tube.....	1



**RECIRCULATING PUMP**

**RECIRCULATING PUMP**

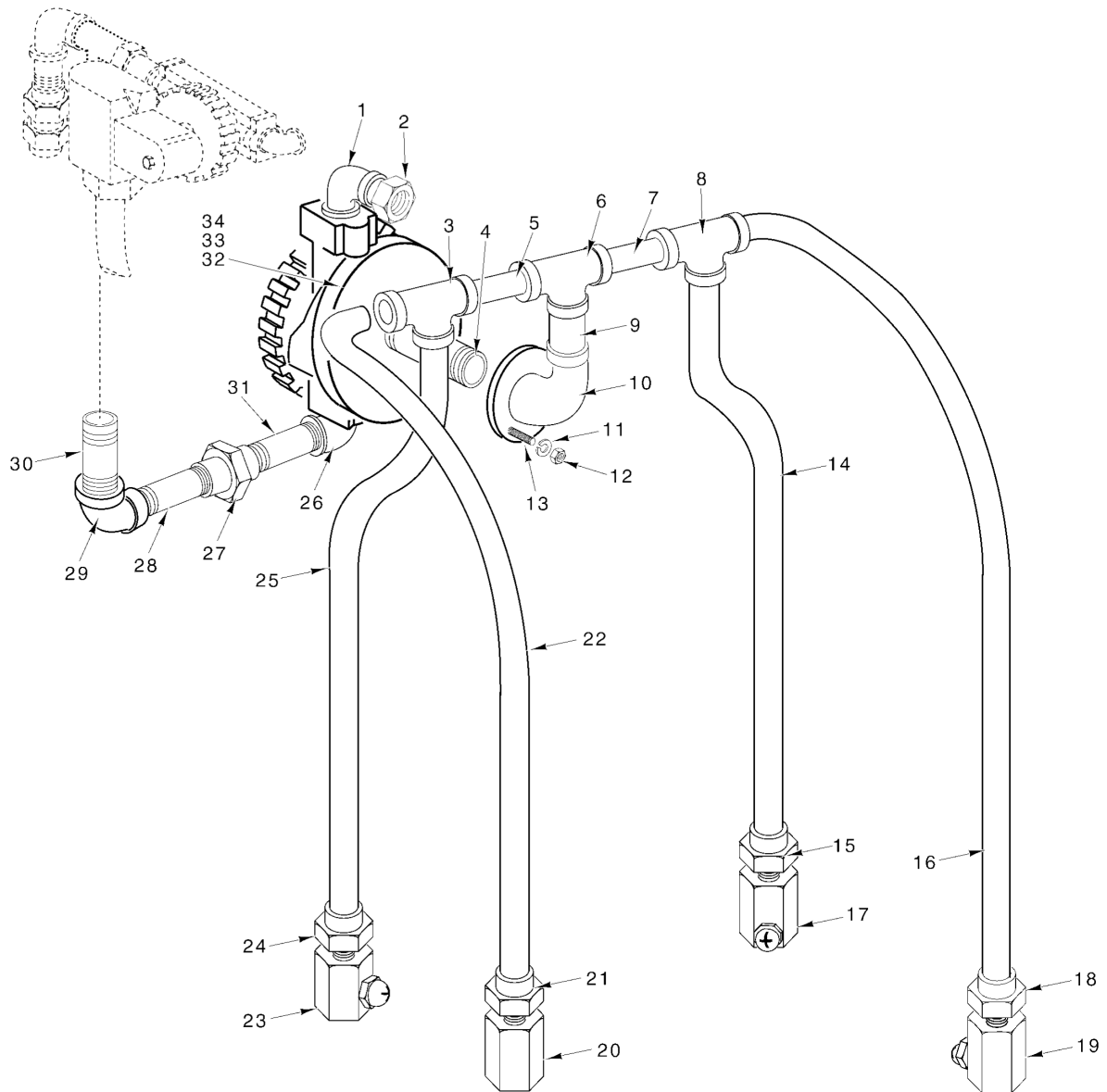
ILLUS.	PART NO.	NAME OF PART	AMT.
PL-50694			
1	00-223605-00010	Adapter.....	1
2	00-289334	Clamp - Guard.....	2
3	NS-014-11	Nut 5/16-18 Hex (Brass).....	6
4	WL-006-23	Lockwasher 5/16 Helical (SST).....	6
5	00-223605-00005	Seal Assy.....	1
6	00-328383-00004	Retainer - Seal Spring.....	1
7	00-328383-00002	Clamp.....	1
8	SC-041-18	Cap Screw 5/16-18 x 1 3/4 Hex Hd. (SST).....	2
9	00-223605-00002	Key - Impeller.....	1
10	00-328383-00003	Impeller (For 1/2 Hp. Motor) (2.87 Dia.).....	1
11	00-223605-00001	Gasket.....	AR
12	00-223605-00004	Stud 5/16-18.....	6
13	FP-028-03	Pipe Plug 1/8 Sq. Hd. Pipe.....	1
14	00-328383-00001	Housing - Pump (Bronze).....	1
15	00-223605-00007	Locknut - Impeller.....	1
16	00-223605-00011	Sleeve - Drive.....	1
17	00-328383-00002	Clamp.....	1
18	WL-006-23	Lockwasher 5/16 Helical (SST).....	2
19	NS-014-11	Nut 5/16-18 Hex (Brass).....	2
20	SC-041-29	Cap Screw 3/8-16 x 7/8 Hex Hd. (SST).....	4
21	WL-006-28	Lockwasher 3/8 Helical.....	4



**DISCHARGE**

**DISCHARGE**

ILLUS.	PART NO.	NAME OF PART	AMT.
PL-57133			
1	00-223471-00001	Motor (2 Hp., 200-400 V.).....	1
2	00-223471-00002	Motor (2 Hp., 230-460 V.).....	1
3	SC-036-54	Cap Screw 3/8-16 x 1 Hex Hd.....	4
4	WL-004-03	Lockwasher 3/8 Medium.....	4
5	00-289413-00001	Reducer - Gear.....	1
6	00-289427-00001	Bracket - Gear Reducer.....	1
7	SC-041-28	Cap Screw 3/8-16 x 3/4 Hex Hd. (SST).....	4
8	WL-006-28	Lockwasher 3/8 Helical.....	4
9	WS-006-44	Washer (SST).....	4
10	SC-067-27	Mach. Screw 1/4-20 x 3/8 Slotted Hex Hd.....	2
11	WL-006-17	Lockwasher 1/4.....	AR
12	NS-031-19	Stop Nut 1/4-20 "Elastic" (SST).....	2
13	00-328091	Chute Weldment.....	1
14	SC-041-32	Mach. Screw 3/8-16 x 1 1/2 Hex Hd.....	2
15	WL-006-28	Lockwasher 3/8.....	AR
16	NS-015-13	Nut 3/8-16 Hex (SST).....	2
17	WS-018-04	Washer (SST).....	2
18	00-328217	Bushing - Chute.....	2
19	00-328221	Discharge - Housing.....	1
20	NS-015-20	Nut 1/2-13 Hex.....	1
21	WL-006-35	Lockwasher 1/2 Helical.....	1
22	SC-037-43	Cap Screw 1/2-13 x 2-1/2 Hex Hd.....	1
23	00-223722	Sleeve - Shaft.....	1
24	SC-041-30	Cap Screw 3/8-16 x 1 Hex Hd. (SST).....	4
25	WS-006-44	Washer (SST).....	4
26	WL-006-28	Lockwasher 3/8 Helical.....	4
27	NS-015-13	Nut 3/8-16 Hex (SST).....	4
28	NS-015-01	Nut 1/4-20 Hex (SST).....	1
29	FE-018-24	NLA - Obsolete--Clamp 1/2 TS.....	1
30	00-222431-00001	Bracket.....	1
31	FE-018-24	NLA - Obsolete--Clamp 1/2 TS.....	1
32	SC-021-39	Mach. Screw 1/4-20 x 5/8 Rd. Hd.....	1
33	SC-041-05	Cap Screw 1/4-20 x 5/8 Hex Hd.....	2
34	WL-006-17	Lockwasher 1/4.....	AR
35	FE-007-03	Connector 90 Deg. "Sealtite" (1/2 Male Thd. x 3/8 Flex. Cnd.).....	1
36	FE-008-10	1/2 Gasket Assy.....	1
37	00-328095-00002	Chute - Bottom.....	1
38	SC-110-34	Cap Screw 1/4-20 X 1/2 Flat Socket Hd.....	2

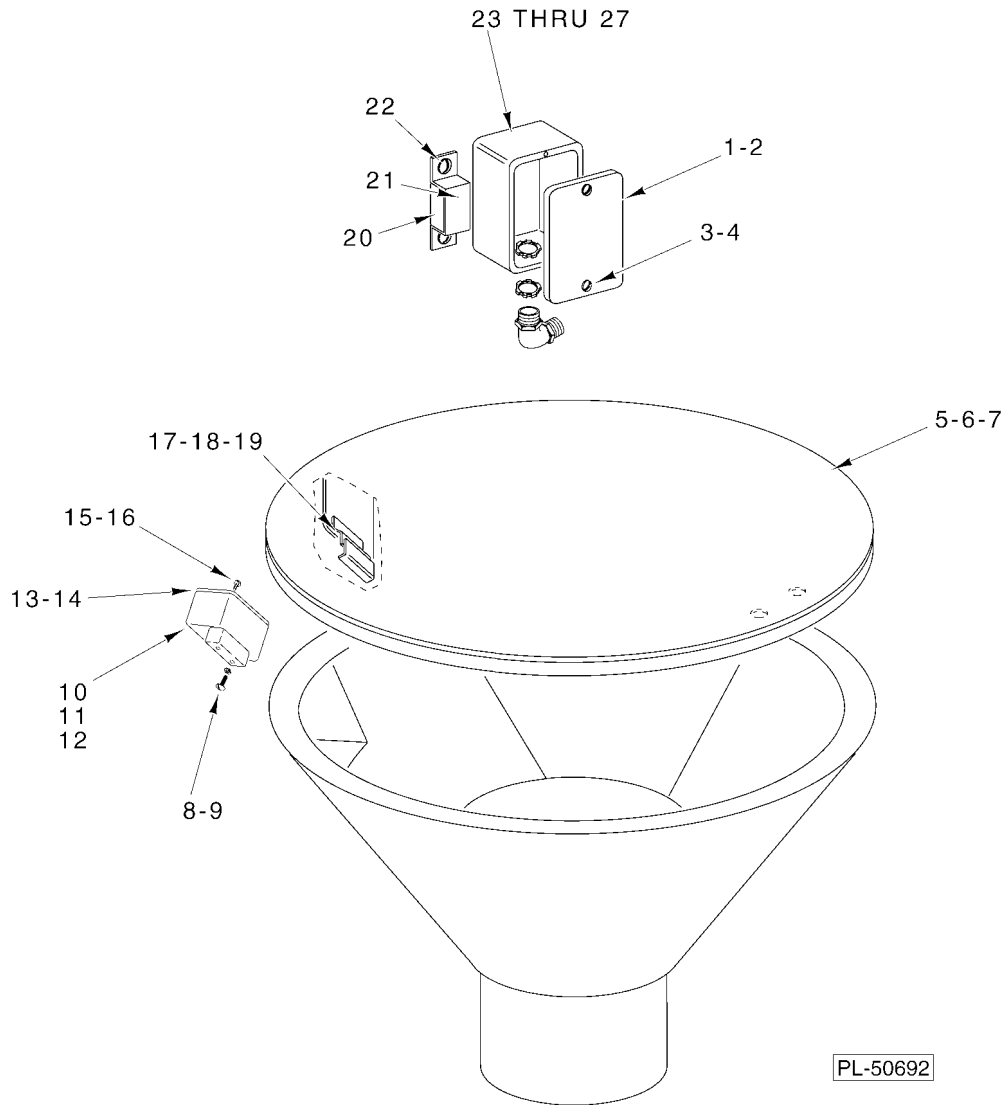


PL-50805

### SCREEN FLUSH

**SCREEN FLUSH**

ILLUS. PL-50805	PART NO.	NAME OF PART	AMT.
1	FP-015-24	Elbow - Pipe 3/4 x 90 Deg. (Brass).....	1
2	FP-027-22	Bushing - Reducing 3/4.....	AR
3	00-223366-00001	Tee 1/4 Tube.....	1
4	FP-040-45	Pipe 1/2 x 1-1/2 Lg. TBE.....	1
5	00-223367-00002	Tube 1/4 x 1 1/2 Lg.....	1
6	00-223366-00002	Tee - Tube Reducing 1/2 x 1/4.....	1
7	00-223367-00002	Tube 1/4 x 1 1/2 Lg.....	1
8	00-223366-00001	Tee 1/4 Tube.....	1
9	00-223367-00001	Tube 1/2 x 11/16 Lg.....	1
10	00-223365-00001	Elbow 90 Deg. (1/2 Tube x 1/2 Female Pipe).....	1
11	WL-006-07	Lockwasher #10 Helical (SST).....	2
12	NS-011-18	Mach. Nut 10-24 Hex.....	2
13	SC-021-23	Mach. Screw 10-24 x 1/2 Slotted Rd. Hd. (SST).....	2
14	00-223367-00004	Tube 1/4 x 6 1/2 Lg.....	1
15	00-223505	Adapter - Male (1/4 Tube x 1/8 Male Pipe).....	1
16	00-223367-00005	Tube 1/4 x 14 Lg.....	1
17	00-223517	Nozzle - Spray (1/8 Tube).....	1
18	00-223505	Adapter - Male (1/4 Tube x 1/8 Male Pipe).....	1
19	00-223517	Nozzle - Spray (1/8 Tube).....	1
20	00-223517	Nozzle - Spray (1/8 Tube).....	1
21	00-223505	Adapter - Male (1/4 Tube x 1/8 Male Pipe).....	1
22	00-223367-00005	Tube 1/4 x 14 Lg.....	1
23	00-223517	Nozzle - Spray (1/8 Tube).....	1
24	00-223505	Adapter - Male (1/4 Tube x 1/8 Male Pipe).....	1
25	00-223367-00004	Tube 1/4 x 6 1/2 Lg.....	1
26	FP-015-24	Elbow - Pipe 3/4 x 90 Deg. (Brass).....	1
27	FP-022-18	Union - Pipe 3/4 Straight, Female (Brass).....	1
28	FP-041-59	Pipe 3/4 x 2 1/2 (Brass).....	1
29	FP-015-23	Elbow 3/4 x 90 Deg. (Brass).....	1
30	FP-041-62	Pipe 3/4 x 2 3/4 Lg. TBE.....	1
31	FP-041-59	Pipe 3/4 x 2 1/2 (Brass).....	1
32	00-271002-00001	Valve - Solenoid (3/4) (110-120 V.).....	1
33	00-271839	Coil.....	1
34	00-271838	Service Kit - Solenoid Valve.....	1



### INTERLOCK SWITCHES

**INTERLOCK SWITCHES**

ILLUS.	PART NO.	NAME OF PART	AMT.
1	00-436073	Gasket - Housing.....	1
2	00-436072	Cover - Housing.....	1
3	SC-093-03	Mach. Screw 8-32 x 3/8 Slotted Pan Hd. (SST).....	2
4	WL-006-02	Lockwasher #8 Helical (SST).....	2
5	00-328200	Cover - Plate Weldment.....	1
6	00-328514-00001	Hinged Lid Weldment (L-R)(Not Shown).....	1
7	00-328514-00002	Hinged Lid Weldment (R-L)(Not Shown).....	1
8	SC-093-03	Mach. Screw 8-32 x 3/8 Slotted Pan Hd. (SST).....	2
9	WL-006-02	Lockwasher #8 Helical (SST).....	2
10	00-436069	Housing - Cycling Switch.....	1
11	00-436071	Retaining Switch Weldment.....	1
12	00-811860	Barrier - Door Interlock.....	1
13	00-436073	Gasket - Housing.....	1
14	00-436072	Cover - Housing.....	1
15	SC-115-26	Mach. Screw 6-32 x 5/16 Pan Hd.....	2
16	WL-006-42	Lockwasher #6 Medium.....	2
17	00-436091	Magnet.....	1
18	00-435950	Retainer - Magnet.....	1
19	SC-115-26	Mach. Screw 6-32 x 5/16 Pan Hd.....	2
20	00-436091	Magnet.....	1
21	00-435950	Retainer - Magnet.....	1
22	SC-115-26	Mach. Screw 6-32 x 5/16 Pan Hd.....	2
23	00-436069	Housing - Cycle Switch.....	1
24	00-436071	Retainer Switch Weldment.....	1
25	00-811860	Barrier - Door Interlock.....	1
26	SC-115-26	Mach. Screw 6-32 x 5/16.....	AR
27	WL-006-42	Lockwasher #6 Medium.....	2

