



CATALOG OF REPLACEMENT PARTS



15829

ACCESS PREPACK SYSTEM

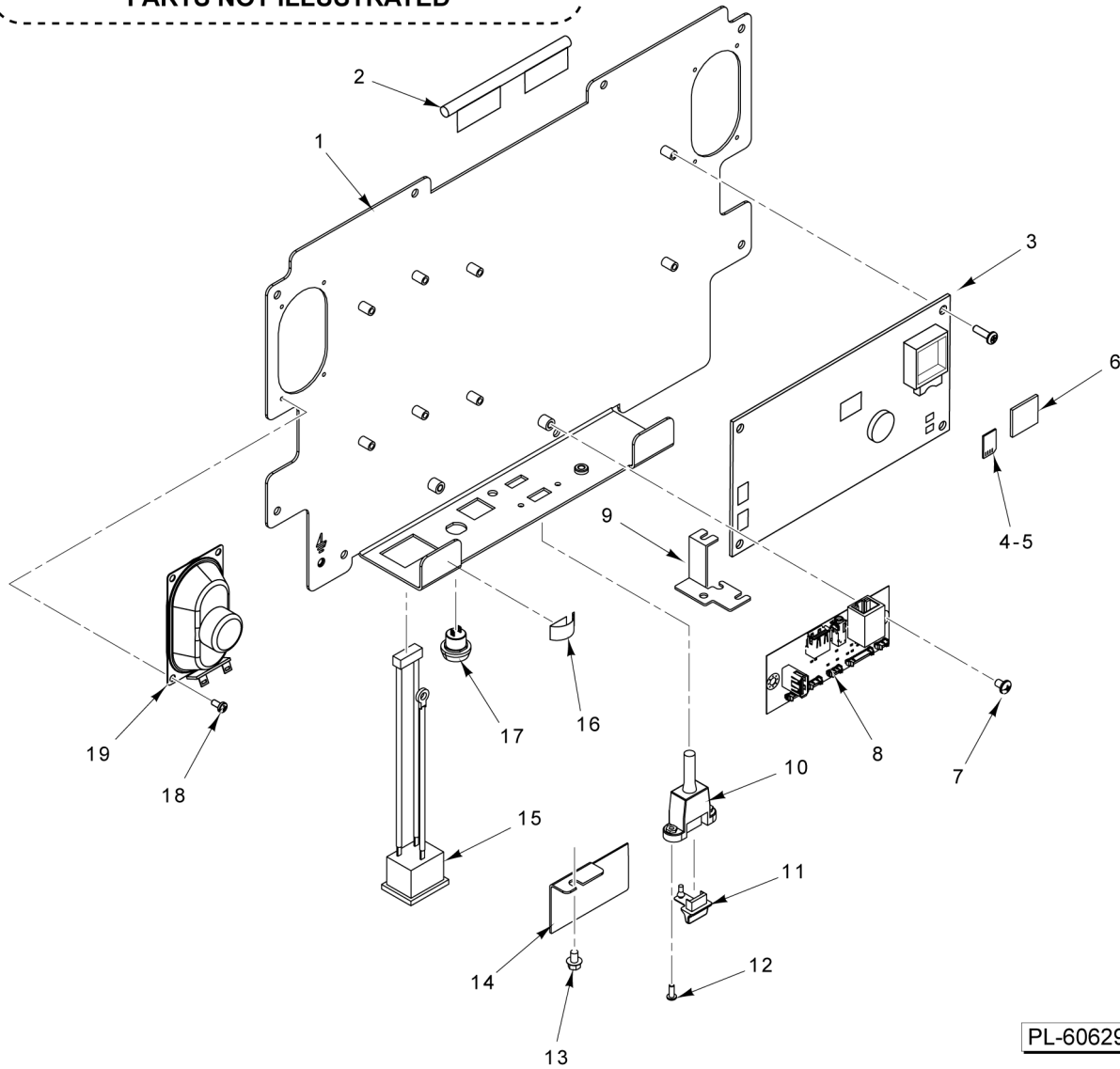
ML-29269	EPCP-1 VxWorks Console
ML-29321	EPCP-3 Linux Console
ML-29322	EPCP-4 Windows Console
ML-44242	EPCP-5i Linux HT Series Console
ML-44249	EPCP-5i1 Linux HT Series Console With CAN
ML-44244	EPCP-6x Windows HT Series Console
ML-29275	EPSA-1 Scale
ML-29276	EPSA-2 Scale
ML-29268	EPP-1 Printer (EPCP-1 Only)
ML-29333	EPP-2 Printer (EPCP-1, -3, & -4)
ML-44232	EPP-3 Printer (EPCP-3, -4, -5i, & -6x)

Table of Contents

5	CONSOLE (EPCP-5I LINUX HT SERIES CONSOLE) (ML-44242)
7	DISPLAY (EPCP-5I LINUX HT SERIES CONSOLE) (ML-44242)
9	CONSOLE (EPCP-5I1 LINUX HT SERIES CONSOLE) (ML-44249)
11	DISPLAY (EPCP-5I1 LINUX HT SERIES CONSOLE) (ML-44249)
13	CONSOLE (EPCP-6X WINDOWS HT SERIES CONSOLE) (ML-44244)
15	DISPLAY (EPCP-6X WINDOWS HT SERIES CONSOLE) (ML-44244)
17	CONSOLE (EPCP-3 LINUX & EPCP-4 WINDOWS) (ML-29321 & ML-29322)
19	DISPLAY (EPCP-3 LINUX & EPCP-4 WINDOWS) (ML-29321 & ML-29322)
21	CONSOLE (EPCP-1 VXWORKS) (ML-29269)
23	DISPLAY (EPCP-1 VXWORKS) (ML-29269)
25	SCALE ASSEMBLY (USB)
27	PRINTER (RIGHT SIDE)
29	PRINTER (EPP-1 & EPP-2) (LEFT SIDE)
31	PRINTER (EPP-3) (LEFT SIDE)
33	PRINTER (BOTTOM)
35	PRINthead ASSEMBLY
37	LABEL HOLD DOWN ASSEMBLY
39	MISCELLANEOUS

20	00-447024	Cable Assy. (USB Hub)
21	00-447028	Cable Assy. (Ethernet LEDs)
22	00-447029	Cable Assy. (Audio)
23	00-447095	Cable Assy. (Display)
24	00-447524	Cable (Ethernet)
25	00-447880	Cable Assy. (Power)

PARTS NOT ILLUSTRATED

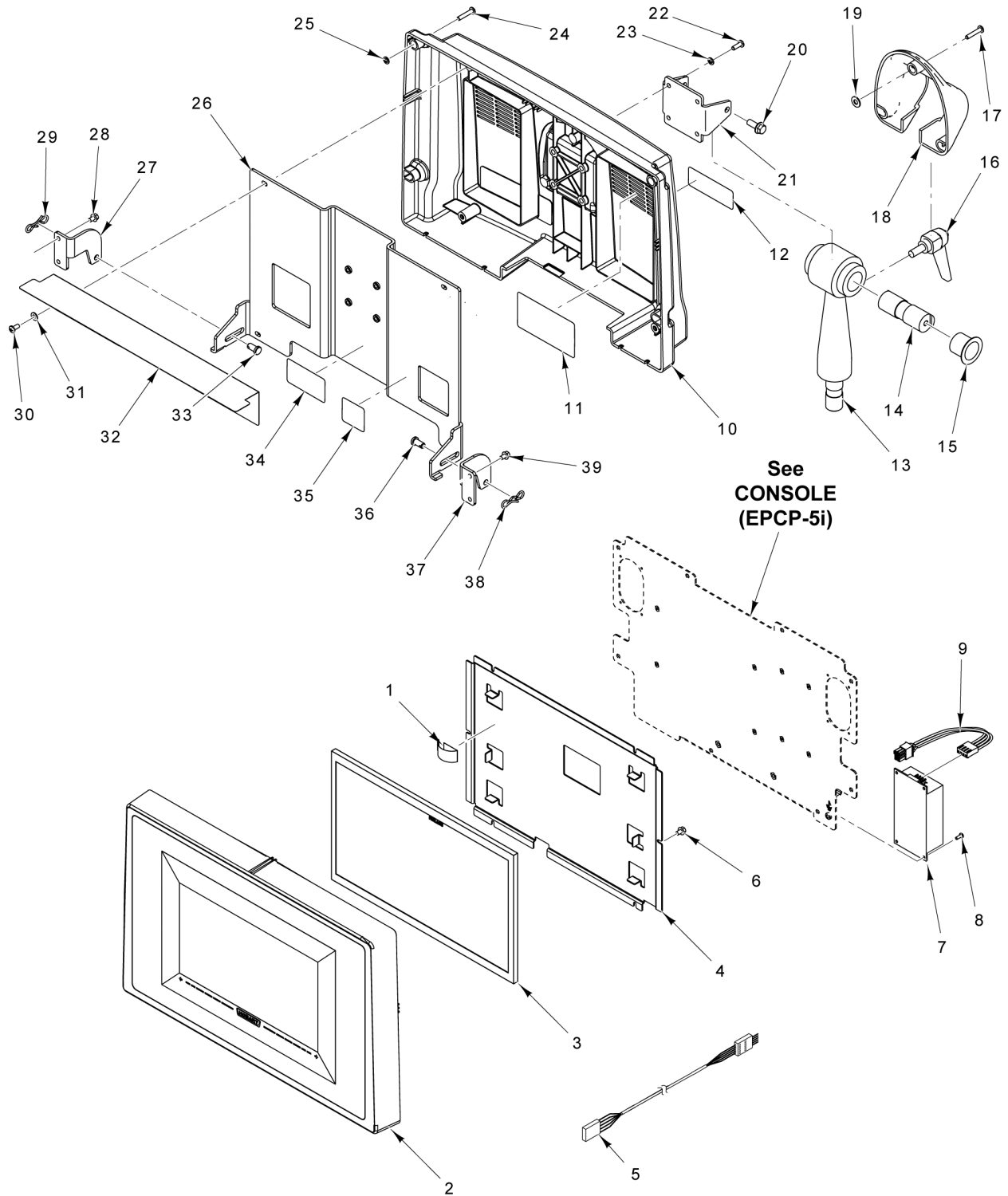


PL-60629

**CONSOLE
(EPCP-5I LINUX HT SERIES CONSOLE) (ML-44242)**

**CONSOLE
(EPCP-5I LINUX HT SERIES CONSOLE) (ML-44242)**

ILLUS. PL-60629	PART NO.	NAME OF PART	AMT.
1	00-447789	Bracket Assy. (Display Mount).....	1
2	00-447085	Antenna.....	1
3	00-913102-00390	Kit - Board Assy. (Includes System Control Board & Service U-Boot).....	1
4	00-448016-00001	Micro SD (V1.14 Programmed).....	1
5	00-448959-00013	Micro SD (V2.5.200 Programmed).....	1
6	00-447166	Module - WiFi.....	1
7	SC-018-31	Mach. Screw 8-32 x 3/8 Phil. Pan Hd.....	2
8	00-447810	Board Assy.....	1
9	00-447688	Bracket - Console.....	1
10	00-447872	Cable Assy. (USB to Mini-B).....	1
11	00-443581	Plug - USB Type A.....	1
12	SC-111-76	Mach. Screw 4-40 x 5/16 Phil. Pan Hd.....	8
13	SC-128-55	Mach. Screw 8-32 x 1/4 Hex Hd.....	7
14	00-447319	Bracket - Power Cord.....	1
15	00-445284	Input - Power Assy.....	1
16	00-259515	Contact - Finger (16 Pieces).....	1
17	00-447882	Switch Assy. (Shutdown).....	1
18	SC-018-29	Mach. Screw 6-32 x 3/8 Phil. Pan Hd.....	4
19	00-447030	Speaker Assy.....	2
20	00-447024	Cable Assy. (USB Hub).....	2
21	00-447028	Cable Assy. (Ethernet LEDs).....	1
22	00-447029	Cable Assy. (Audio).....	1
23	00-447095	Cable Assy. (Display).....	1
24	00-447524	Cable Assy. (Ethernet).....	1
25	00-447880	Cable Assy. (Power).....	1
		AR



See
CONSOLE
(EPCP-5i)

PL-60628

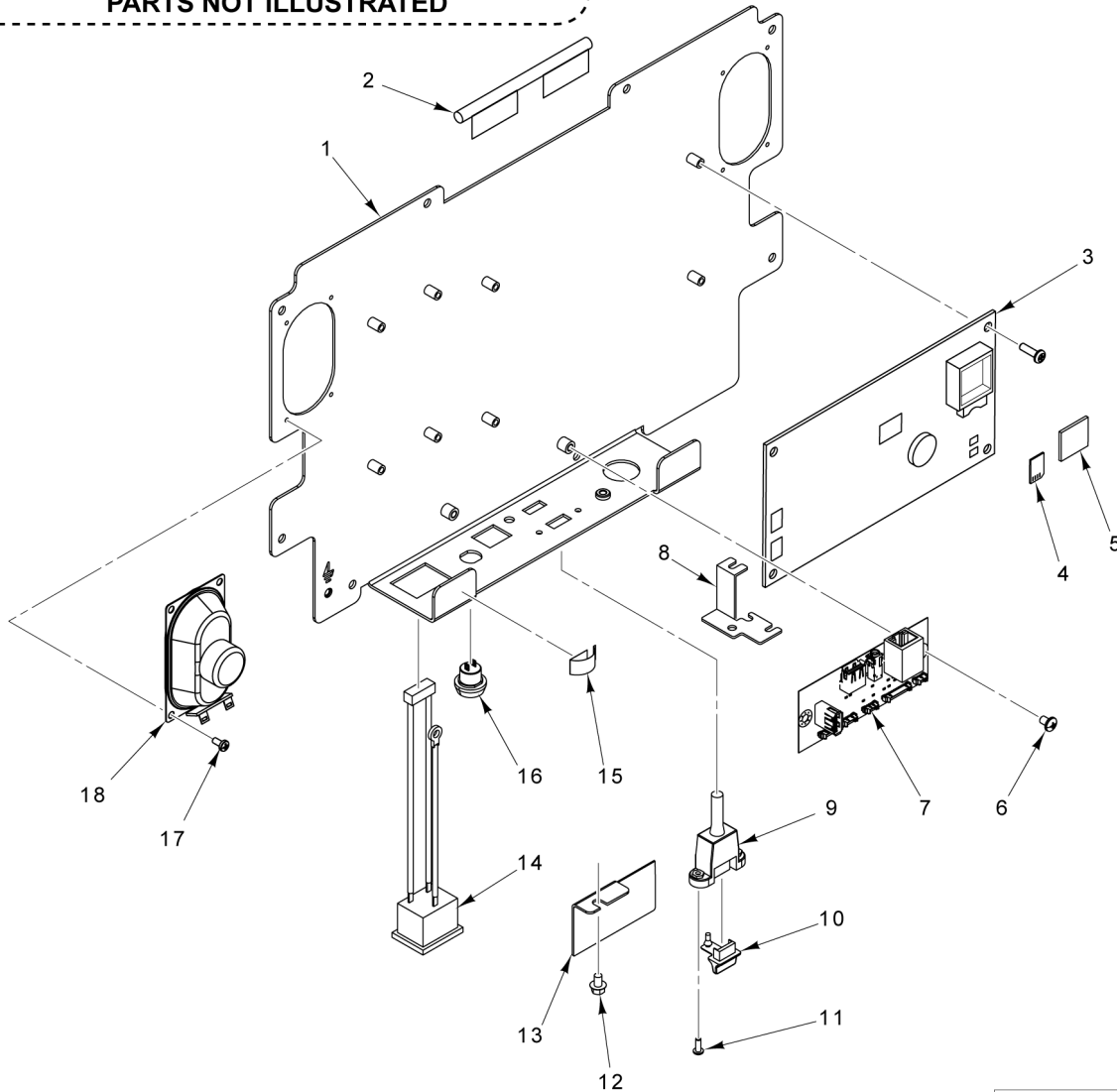
**DISPLAY
(EPCP-5I LINUX HT SERIES CONSOLE) (ML-44242)**

DISPLAY
(EPCP-5I LINUX HT SERIES CONSOLE) (ML-44242)

ILLUS. PL-60628	PART NO.	NAME OF PART	AMT.
1	00-259515	Contact - Finger (16 Pieces).....	4
2	00-447970	Housing - Console Front (Incls. Touchscreen).....	1
3	00-447157	Display (10.1 In.).....	1
4	00-447992	Panel - Display Bracket.....	1
5	00-447167	Cable Assy. (Touchscreen).....	1
6	SC-128-55	Mach. Screw 8-32 x 1/4 Hex Hd.....	4
7	00-445283	Supply - Power.....	1
8	SC-111-76	Mach. Screw 4-40 x 5/16 Phil. Pan Hd.....	4
9	00-447880	Cable Assy. (Power).....	1
10	00-447807	Housing Assy. (Rear) (Black).....	1
11	00-448019	Seal - Vent.....	2
12	00-184336	Label - Interference Warning.....	1
13	00-442730	Post Assy. - Console.....	1
14	00-442712	Pivot - Console Mount.....	1
15	00-438280	Bushing.....	2
16	00-442734	Knob - Console Mount.....	1
17	SC-093-04	Mach. Screw 8-32 x 1/2 Phil. Pan Hd. (SST).....	3
18	00-442704	Cover - Console Mount.....	1
19	00-442732	Washer - Retainer.....	3
20	SC-123-92	Mach. Screw 1/4-20 x 5/8 Hex Washer Hd.....	2
21	00-442713	Bracket - Console Mount.....	1
22	SC-110-31	Mach. Screw 10-24 x 3/4 Hex Hd.....	4
23	WS-023-20	Washer.....	4
24	SC-112-91	Mach. Screw 8-32 x 7/8 Phil. Pan Hd.....	4
25	00-442732	Washer - Retainer.....	4
26	00-442706	Plate - Support.....	1
27	00-442708	Hinge - Front (Left).....	1
28	SC-128-55	Mach. Screw 8-32 x 1/4 Hex Hd.....	2
29	00-442733	Pin - Cotter (Locking).....	1
30	SC-018-31	Mach. Screw 8-32 x 3/8 Phil. Pan Hd.....	4
31	WS-023-22	Washer (SST).....	4
32	00-447917	Shield - Drip.....	1
33	00-442729	Pin - Clevis.....	1
34	00-447666	Label - Warning (California).....	1
35	00-447665	Label - Battery.....	1
36	00-442729	Pin - Clevis.....	1
37	00-442709	Hinge - Front (Right).....	1
38	00-442733	Pin - Cotter (Locking).....	1
39	SC-128-55	Mach. Screw 8-32 x 1/4 Hex Hd.....	2

19	00-447024	Cable Assy. (USB Hub)
20	00-447028	Cable Assy. (Ethernet LEDs)
21	00-447029	Cable Assy. (Audio)
22	00-447095	Cable Assy. (Display)
23	00-447524	Cable (Ethernet)
24	00-447880	Cable Assy. (Power)
25	00-448671	Cable Assy. (CAN Receptacle)
26	00-448995	Cable Assy. (CAN Coms.)

PARTS NOT ILLUSTRATED

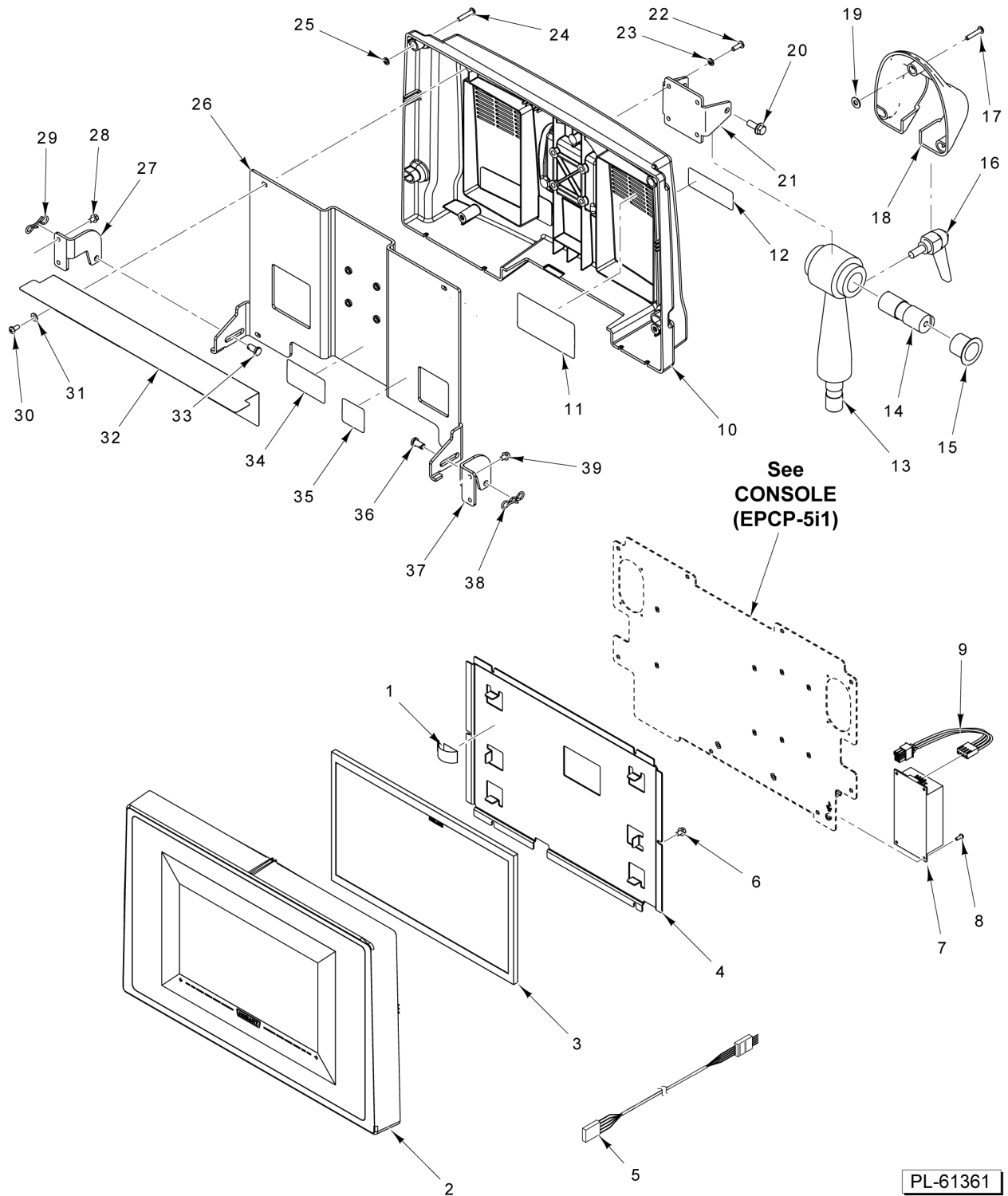


PL-61360

**CONSOLE
(EPCP-511 LINUX HT SERIES CONSOLE) (ML-44249)**

**CONSOLE
(EPCP-511 LINUX HT SERIES CONSOLE) (ML-44249)**

ILLUS. PL-61360	PART NO.	NAME OF PART	AMT.
1	00-448610	Bracket Assy. (Display Mount).....	1
2	00-447085	Antenna.....	1
3	00-449978	Board Assy. (IMX6, Dual) (Used with 10 In. Display Only).....	1
4	00-448959-00021	Micro SD (V2.13.100 Programmed) NGW/EPCP-5i1.....	1
5	00-447166	Module - WiFi.....	1
6	SC-018-31	Mach. Screw 8-32 x 3/8 Phil. Pan Hd.....	2
7	00-447990	Board Assy. (Connector) (CAN Communication).....	1
8	00-447688	Bracket - Console.....	1
9	00-447872	Cable Assy. (USB to Mini-B).....	1
10	00-443581	Plug - USB Type A.....	1
11	SC-111-76	Mach. Screw 4-40 x 5/16 Phil. Pan Hd.....	8
12	SC-128-55	Mach. Screw 8-32 x 1/4 Hex Hd.....	7
13	00-447319	Bracket - Power Cord.....	1
14	00-445284	Input - Power Assy.....	1
15	00-259515	Contact - Finger (16 Pieces).....	1
16	00-447882	Switch Assy. (Shutdown).....	1
17	SC-018-29	Mach. Screw 6-32 x 3/8 Phil. Pan Hd.....	4
18	00-447030	Speaker Assy.....	2
19	00-447024	Cable Assy. (USB Hub).....	2
20	00-447028	Cable Assy. (Ethernet LEDs).....	1
21	00-447029	Cable Assy. (Audio).....	1
22	00-447095	Cable Assy. (Display).....	1
23	00-447524	Cable Assy. (Ethernet).....	1
24	00-447880	Cable Assy. (Power).....	1
25	00-448671	Cable Assy. (CAN Receptacle).....	1
26	00-448995	Cable Assy. (CAN Communication).....	1
	00-913102-00390	Kit - Board Assy. (Includes System Control Board Item 3 & Service U-Boot).....	AR

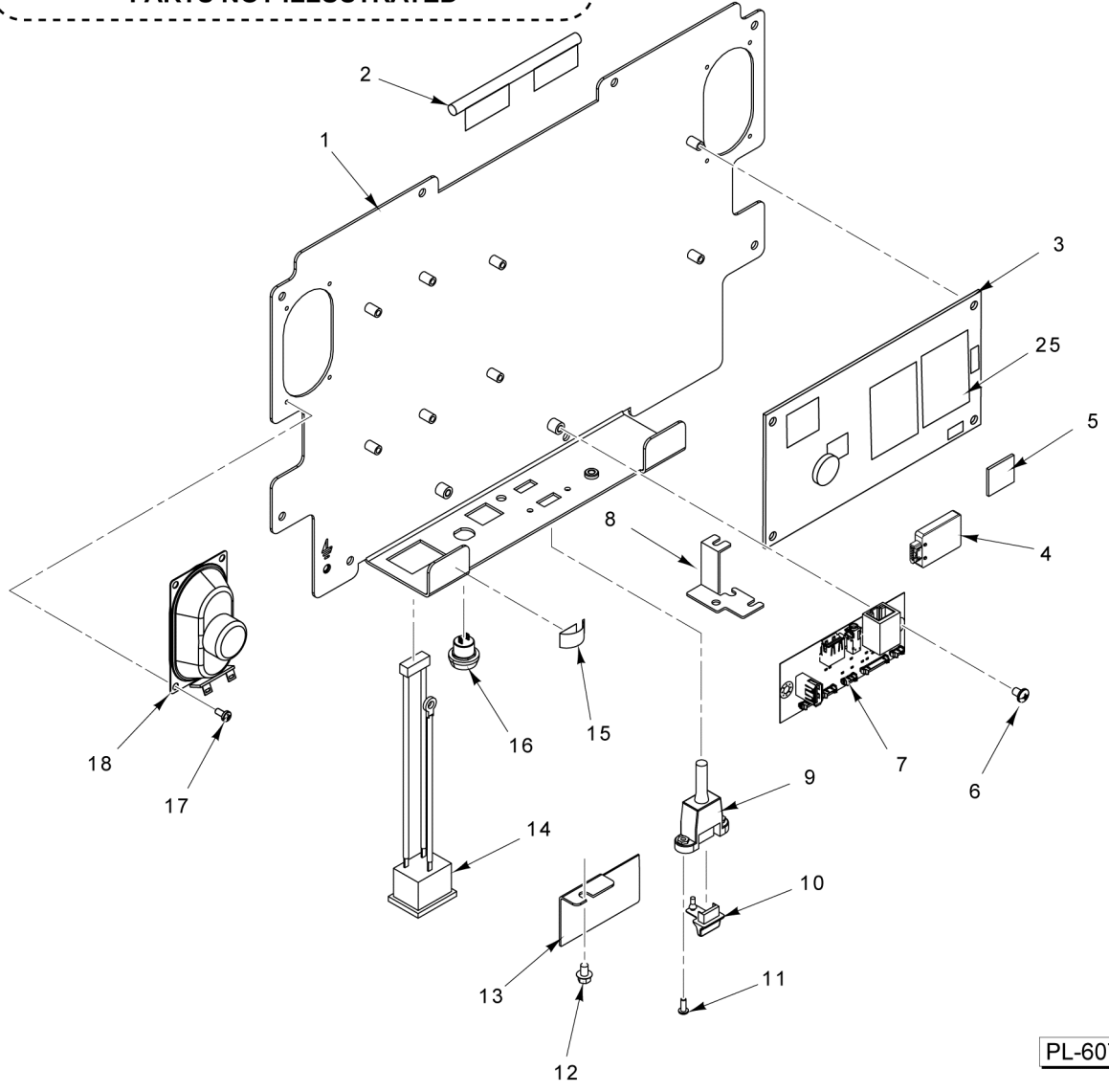


**DISPLAY
(EPCP-511 LINUX HT SERIES CONSOLE) (ML-44249)**

DISPLAY
(EPCP-511 LINUX HT SERIES CONSOLE) (ML-44249)

ILLUS. PL-61361	PART NO.	NAME OF PART	AMT.
1	00-259515	Contact - Finger (16 Pieces).....	4
2	00-447970	Housing - Console Front (Incls. Touchscreen).....	1
3	00-447157	Display (10.1 In.).....	1
4	00-447992	Panel - Display Bracket.....	1
5	00-447167	Cable Assy. (Touchscreen).....	1
6	SC-128-55	Mach. Screw 8-32 x 1/4 Hex Hd.....	4
7	00-445283	Supply - Power.....	1
8	SC-111-76	Mach. Screw 4-40 x 5/16 Phil. Pan Hd.....	4
9	00-447880	Cable Assy. (Power).....	1
10	00-447807	Housing Assy. (Rear) (Black).....	1
11	00-448019	Seal - Vent.....	2
12	00-184336	Label - Interference Warning.....	1
13	00-442730	Post Assy. - Console.....	1
14	00-442712	Pivot - Console Mount.....	1
15	00-438280	Bushing.....	2
16	00-442734	Knob - Console Mount.....	1
17	SC-093-04	Mach. Screw 8-32 x 1/2 Phil. Pan Hd. (SST).....	3
18	00-442704	Cover - Console Mount.....	1
19	00-442732	Washer - Retainer.....	3
20	SC-123-92	Mach. Screw 1/4-20 x 5/8 Hex Washer Hd.....	2
21	00-442713	Bracket - Console Mount.....	1
22	SC-110-31	Mach. Screw 10-24 x 3/4 Hex Hd.....	4
23	WS-023-20	Washer.....	4
24	SC-112-91	Mach. Screw 8-32 x 7/8 Phil. Pan Hd.....	4
25	00-442732	Washer - Retainer.....	4
26	00-442706	Plate - Support.....	1
27	00-442708	Hinge - Front (Left).....	1
28	SC-128-55	Mach. Screw 8-32 x 1/4 Hex Hd.....	2
29	00-442733	Pin - Cotter (Locking).....	1
30	SC-018-31	Mach. Screw 8-32 x 3/8 Phil. Pan Hd.....	4
31	WS-023-22	Washer (SST).....	4
32	00-447917	Shield - Drip.....	1
33	00-442729	Pin - Clevis.....	1
34	00-447666	Label - Warning (California).....	1
35	00-447665	Label - Battery.....	1
36	00-442729	Pin - Clevis.....	1
37	00-442709	Hinge - Front (Right).....	1
38	00-442733	Pin - Cotter (Locking).....	1
39	SC-128-55	Mach. Screw 8-32 x 1/4 Hex Hd.....	2

- | | | |
|----|-----------|-----------------------------|
| 19 | 00-447024 | Cable Assy. (USB Hub) |
| 20 | 00-447028 | Cable Assy. (Ethernet LEDs) |
| 21 | 00-447029 | Cable Assy. (Audio) |
| 22 | 00-447095 | Cable Assy. (Display) |
| 23 | 00-447524 | Cable (Ethernet) |
| 24 | 00-447880 | Cable Assy. (Power) |
- PARTS NOT ILLUSTRATED**

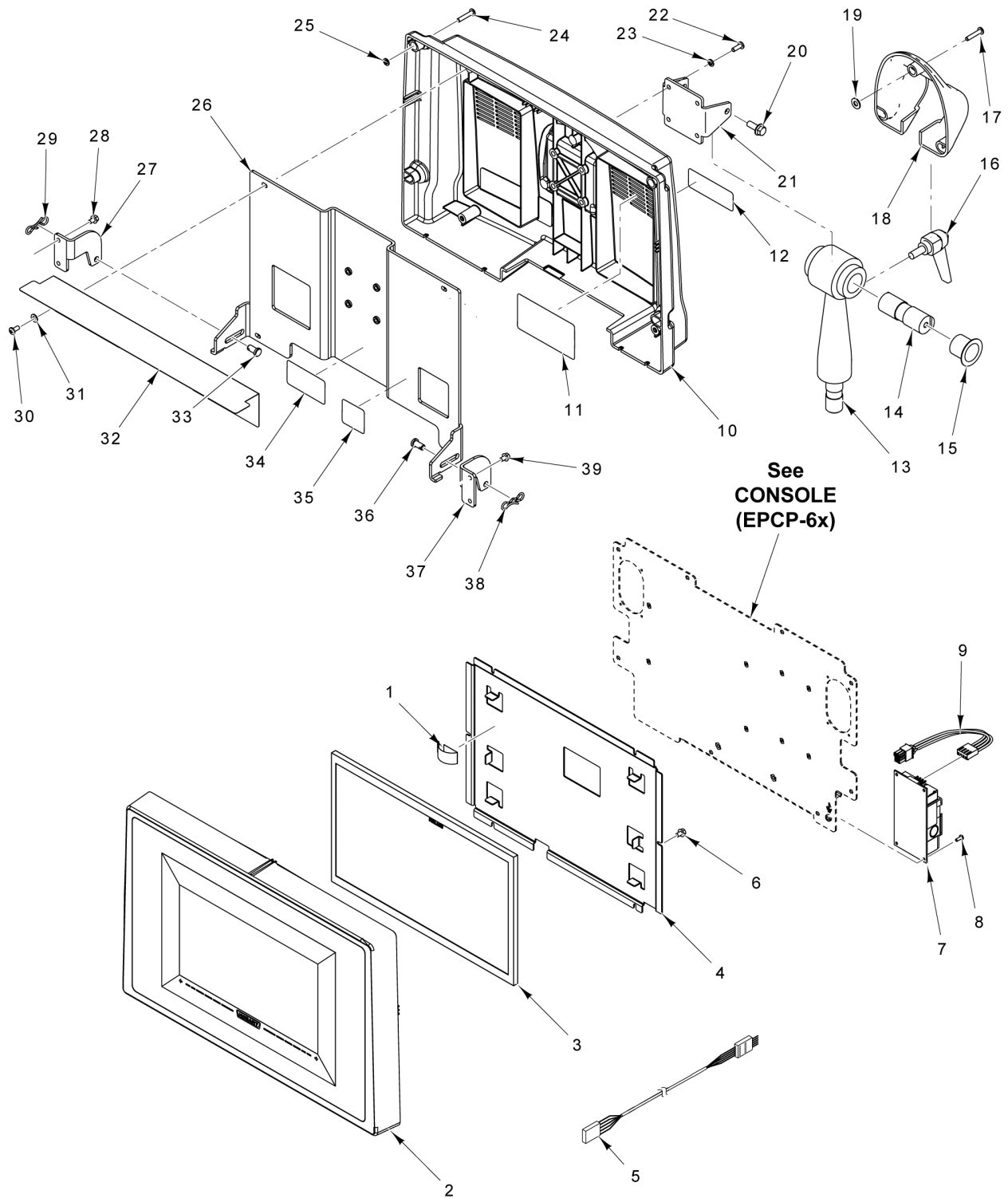


PL-60755

**CONSOLE
(EPCP-6X WINDOWS HT SERIES CONSOLE) (ML-44244)**

**CONSOLE
(EPCP-6X WINDOWS HT SERIES CONSOLE) (ML-44244)**

ILLUS. PL-60755	PART NO.	NAME OF PART	AMT.
1	00-448275	Bracket Assy. (Display Mount).....	1
2	00-447085	Antenna.....	1
3	00-447159	Board - System (Atom).....	1
4	00-448323-00001	Hard Drive (Sata Dom 32GB).....	1
5	00-447166	Module - WiFi.....	1
6	SC-018-31	Mach. Screw 8-32 x 3/8 Phil. Pan Hd.....	2
7	00-447810	Board Assy.....	1
8	00-447688	Bracket - Console.....	1
9	00-447872	Cable Assy. (USB to Mini-B).....	1
10	00-443581	Plug - USB Type A.....	1
11	SC-111-76	Mach. Screw 4-40 x 5/16 Phil. Pan Hd.....	8
12	SC-128-55	Mach. Screw 8-32 x 1/4 Hex Hd.....	7
13	00-447319	Bracket - Power Cord.....	1
14	00-445284	Input - Power Assy.....	1
15	00-259515	Contact - Finger (16 Pieces).....	1
16	00-448243	Switch Assy. (Shutdown).....	1
17	SC-018-29	Mach. Screw 6-32 x 3/8 Phil. Pan Hd.....	4
18	00-447030	Speaker Assy.....	2
19	00-447024	Cable Assy. (USB Hub).....	2
20	00-447028	Cable Assy. (Ethernet LEDs).....	1
21	00-447029	Cable Assy. (Audio).....	1
22	00-447095	Cable Assy. (Display).....	1
23	00-447524	Cable Assy. (Ethernet).....	1
24	00-447880	Cable Assy. (Power).....	1
25	00-447721	Memory Board (DDR3 1333, 2GB).....	1



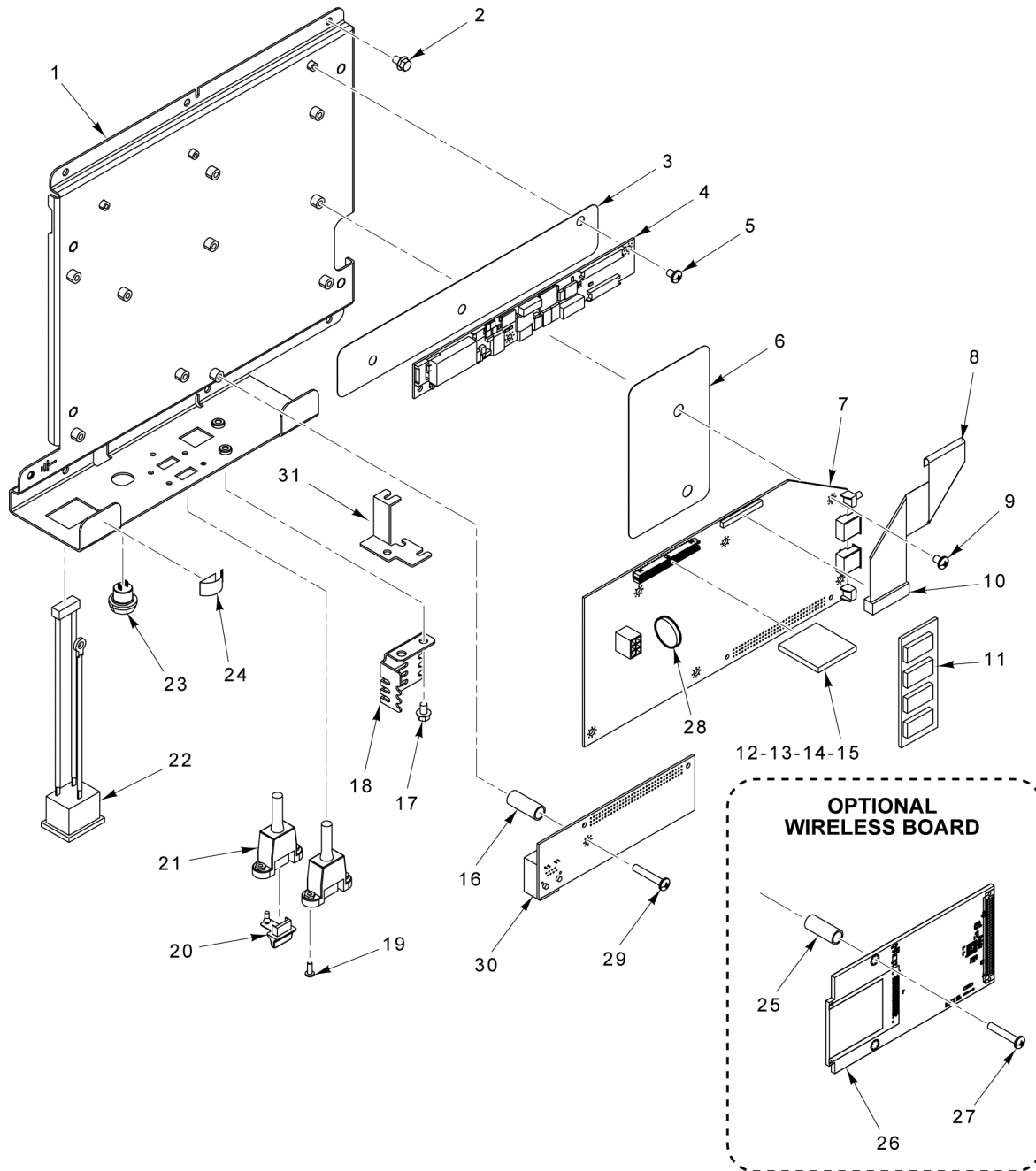
See
CONSOLE
(EPCP-6x)

PL-60754

**DISPLAY
(EPCP-6X WINDOWS HT SERIES CONSOLE) (ML-44244)**

DISPLAY
(EPCP-6X WINDOWS HT SERIES CONSOLE) (ML-44244)

ILLUS.	PART NO.	NAME OF PART	AMT.
PL-60754			
1	00-259515	Contact - Finger (16 Pieces).....	4
2	00-447970	Housing - Console Front (Incls. Touchscreen).....	1
3	00-447157	Display (10.1 In.).....	1
4	00-447992	Panel - Display Bracket.....	1
5	00-447167	Cable Assy. (Touchscreen).....	1
6	SC-128-55	Mach. Screw 8-32 x 1/4 Hex Hd.....	4
7	00-448237	Supply - Power.....	1
8	SC-111-76	Mach. Screw 4-40 x 5/16 Phil. Pan Hd.....	4
9	00-448236	Cable Assy. (Power).....	1
10	00-447807	Housing Assy. (Rear) (Black).....	1
11	00-448019	Seal - Vent.....	2
12	00-184336	Label - Interference Warning.....	1
13	00-442730	Post Assy. - Console.....	1
14	00-442712	Pivot - Console Mount.....	1
15	00-438280	Bushing.....	2
16	00-442734	Knob - Console Mount.....	1
17	SC-093-04	Mach. Screw 8-32 x 1/2 Phil. Pan Hd. (SST).....	3
18	00-442704	Cover - Console Mount.....	1
19	00-442732	Washer - Retainer.....	3
20	SC-123-92	Mach. Screw 1/4-20 x 5/8 Hex Washer Hd.....	2
21	00-442713	Bracket - Console Mount.....	1
22	SC-110-31	Mach. Screw 10-24 x 3/4 Hex Hd.....	4
23	WS-023-20	Washer.....	4
24	SC-112-91	Mach. Screw 8-32 x 7/8 Phil. Pan Hd.....	4
25	00-442732	Washer - Retainer.....	4
26	00-442706	Plate - Support.....	1
27	00-442708	Hinge - Front (Left).....	1
28	SC-128-55	Mach. Screw 8-32 x 1/4 Hex Hd.....	2
29	00-442733	Pin - Cotter (Locking).....	1
30	SC-018-31	Mach. Screw 8-32 x 3/8 Phil. Pan Hd.....	4
31	WS-023-22	Washer (SST).....	4
32	00-447917	Shield - Drip.....	1
33	00-442729	Pin - Clevis.....	1
34	00-447666	Label - Warning (California).....	1
35	00-447665	Label - Battery.....	1
36	00-442729	Pin - Clevis.....	1
37	00-442709	Hinge - Front (Right).....	1
38	00-442733	Pin - Cotter (Locking).....	1
39	SC-128-55	Mach. Screw 8-32 x 1/4 Hex Hd.....	2

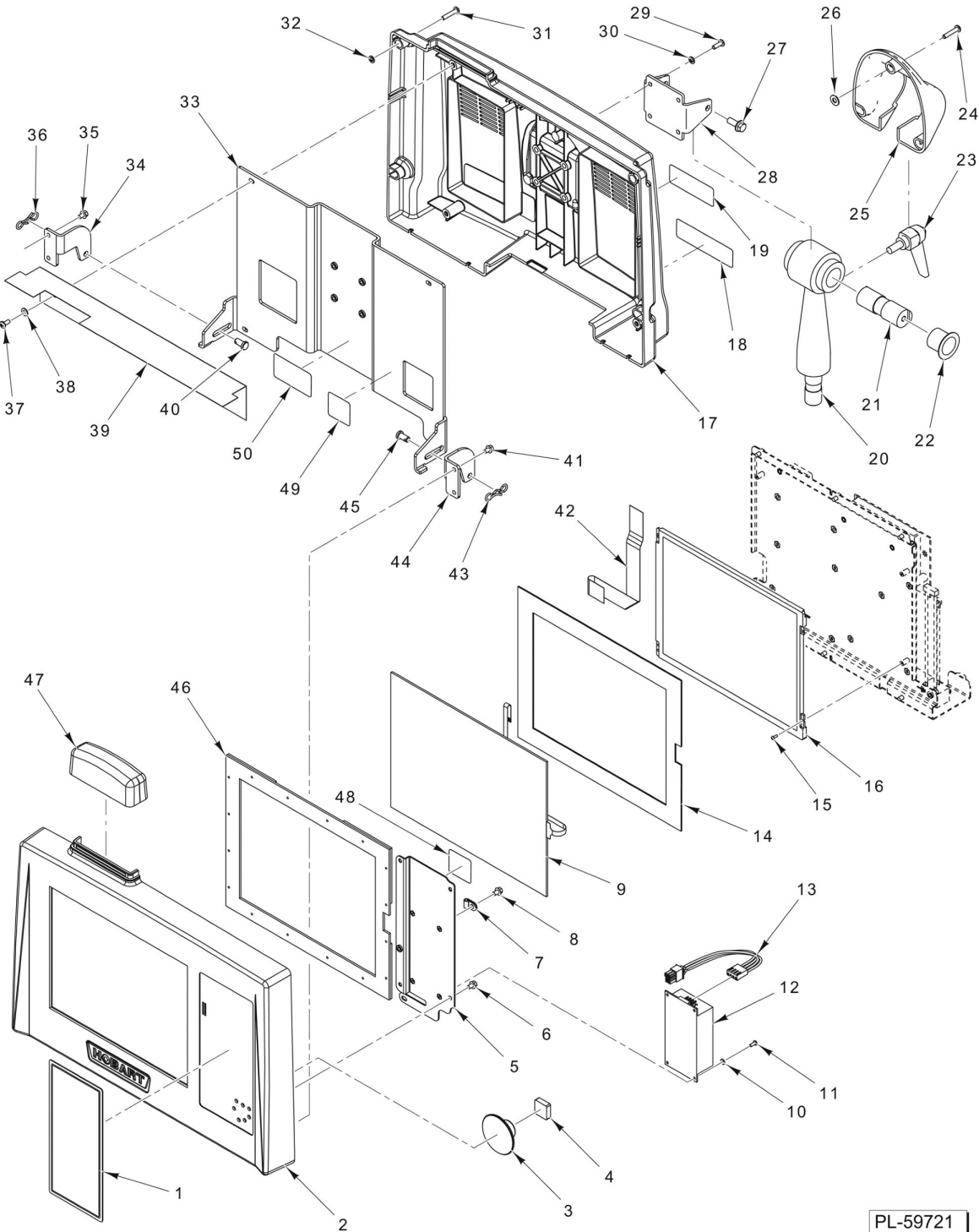


PL-59722

**CONSOLE
(EPCP-3 LINUX & EPCP-4 WINDOWS)
(ML-29321 & ML-29322)**

**CONSOLE
(EPCP-3 LINUX & EPCP-4 WINDOWS)
(ML-29321 & ML-29322)**

ILLUS. PL-59722	PART NO.	NAME OF PART	AMT.
1	00-446676	Bracket Assy. - Display Mount.....	1
2	SC-128-55	Mach. Screw 8-32 x 1/4 Hex Hd.....	7
3	00-446674	Insulator - Display Driver.....	1
4	00-446715	Board Assy. - Console (Touchscreen).....	1
5	SC-018-30	Mach. Screw 8-32 x 1/4 Phil. Pan Hd.....	3
6	00-446675	Insulator - Ribbon Cable.....	1
7	00-446515	Board Assy. - Main (Console).....	1
8	00-445290	Cable.....	1
9	SC-018-30	Mach. Screw 8-32 x 1/4 Phil. Pan Hd.....	6
10	00-445075	Ferrite - Flat Cable.....	1
11	00-445268	Board Assy. (512 MB DDR PC3200).....	1
12	00-447716-00006	Flash - Compact (Programmed) (Linux) (4 GB) (ML-29321).....	AR
13	00-447734-00006	Flash - Compact (Programmed - Walmart) (Linux) (4 GB) (EPCP-3WM).....	AR
14	00-447772-00005	Flash - Compact (Programmed - BJ's Club) (Linux) (4 GB) (EPCP-3BJ).....	AR
15	00-446846-00012	Flash - Compact (Programmed) (Windows) (2GB) (ML-29322).....	AR
16	00-446671	Spacer - Board.....	1
17	SC-128-55	Mach. Screw 8-32 x 1/4 Hex Hd.....	7
18	00-446832	Bracket - Cable Retainer.....	1
19	SC-111-76	Mach. Screw 4-40 x 5/16 Phil. Pan Hd.....	8
20	00-443581	Plug - USB Type A.....	1
21	00-445295	Cable - USB Panel Mount.....	2
22	00-445284	Input - Power Assy.....	1
23	00-445289	Switch Assy. - Shutdown.....	1
24	00-259515	Contact - Finger (16 Pieces).....	AR
25	00-446671	Spacer - Board.....	2
26	00-445253	Board - Wireless Adapter.....	1
27	SC-122-25	Mach. Screw 8-32 x 1 Phil. Pan Hd. (SST).....	2
28	00-441827	Battery - Lithium Coin (CR2032).....	1
29	SC-122-25	Mach. Screw 8-32 x 1 Phil. Pan Hd. (SST).....	1
30	00-445250	Board Assy. - Ethernet.....	1
31	00-447688	Bracket - Console.....	1

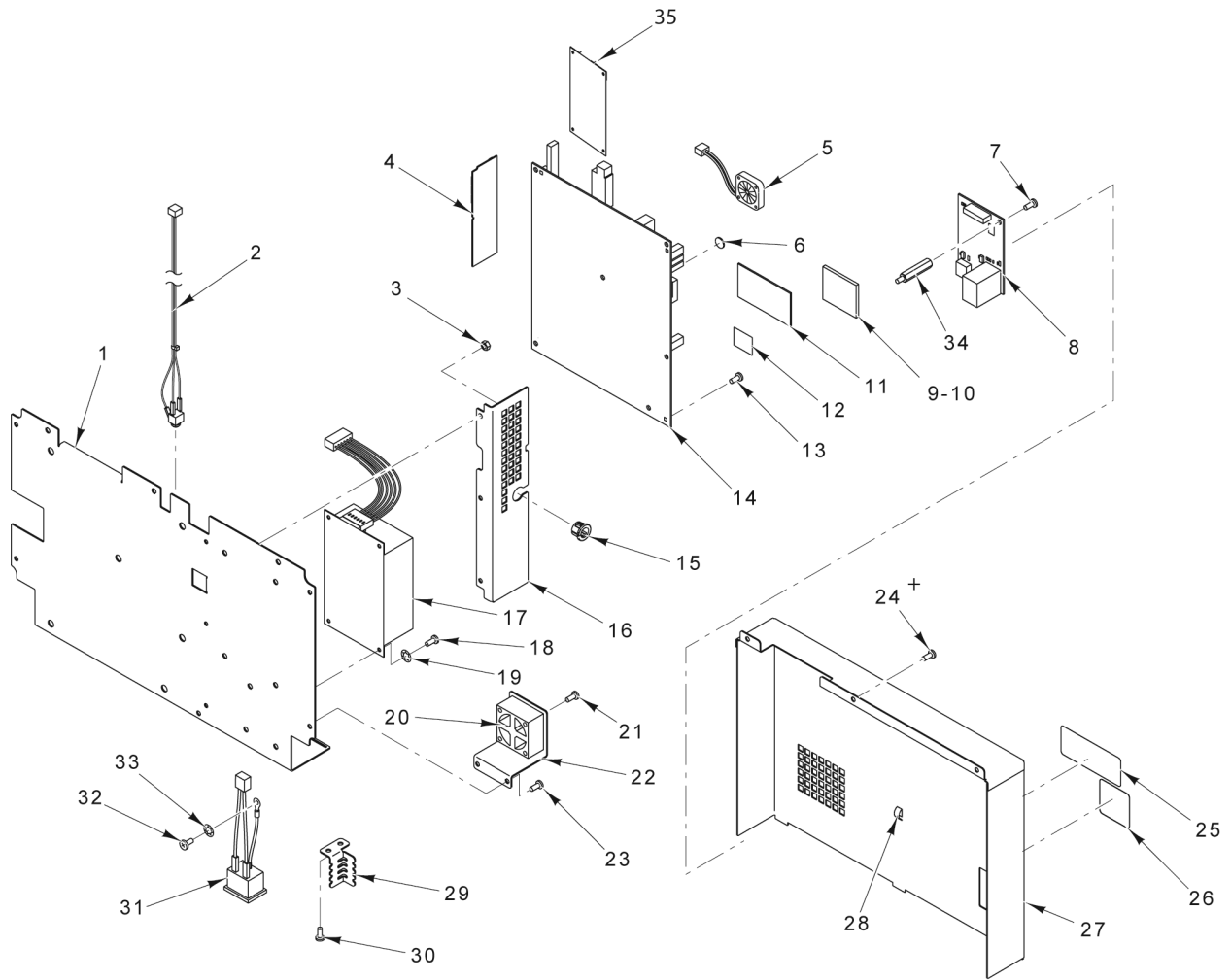


PL-59721

**DISPLAY
(EPCP-3 LINUX & EPCP-4 WINDOWS)
(ML-29321 & ML-29322)**

**DISPLAY
(EPCP-3 LINUX & EPCP-4 WINDOWS)
(ML-29321 & ML-29322)**

ILLUS.	PART NO.	NAME OF PART	AMT.
1	00-444122	Label - Dry Erase.....	1
2	00-446630	Housing - Console Front.....	1
3	00-445287	Speaker Assy.....	1
4	00-442736	Pad - Speaker.....	1
5	00-446670	Mount - Power Supply.....	1
6	SC-128-55	Mach. Screw 8-32 x 1/4 Hex Hd.....	4
7	00-442679	Clamp P Wire.....	1
8	SC-128-55	Mach. Screw 8-32 x 1/4 Hex Hd.....	1
9	00-445363	Touchscreen Assy. (5-Wire, 90-Deg. Turn In Cable).....	1
10	WL-008-45	Lockwasher #4 Internal Shakeproof.....	4
11	SC-111-76	Mach. Screw 4-40 x 5/16 Phil. Pan Hd.....	4
12	00-445283	Supply - Power.....	1
13	00-445285	Cable Assy. - DC Power.....	1
14	00-446793	Gasket - Mask Display.....	1
15	SC-128-19	Mach. Screw 2-56 x 1/4 Phil. Pan Hd.....	4
16	00-446727	Display Assy. (LED) (10.4 In.).....	1
17	00-442701-00003	Housing Assy. - Rear (Black).....	1
18	00-443066	Label - Notice (Mercury).....	1
19	00-184336	Label - Interference Warning.....	1
20	00-442730	Post Assy. - Console.....	1
21	00-442712	Pivot - Console Mount.....	1
22	00-438280	Bushing.....	2
23	00-442734	Knob - Console Mount.....	1
24	SC-093-04	Mach. Screw 8-32 x 1/2 Phil. Pan Hd. (SST).....	3
25	00-442704	Cover - Console Mount.....	1
26	00-442732	Washer - Retainer.....	3
27	SC-123-92	Mach. Screw 1/4-20 x 5/8 Hex Washer Hd.....	2
28	00-442713	Bracket - Console Mount.....	1
29	SC-110-31	Mach. Screw 10-24 x 3/4 Hex Hd.....	4
30	WS-023-20	Washer.....	4
31	SC-112-91	Mach. Screw 8-32 x 7/8 Phil. Pan Hd.....	4
32	00-442732	Washer - Retainer.....	4
33	00-442706	Plate - Support.....	1
34	00-442708	Hinge - Front (Left).....	1
35	SC-128-55	Mach. Screw 8-32 x 1/4 Hex Hd.....	2
36	00-442733	Pin - Cotter (Locking).....	1
37	SC-018-31	Mach. Screw 8-32 x 3/8 Phil. Pan Hd.....	4
38	WS-023-22	Washer (SST).....	4
39	00-446673	Shield - Drip.....	1
40	00-442729	Pin - Clevis.....	1
41	SC-128-55	Mach. Screw 8-32 x 1/4 Hex Hd.....	2
42	00-444973	Cable & Plug Assy. (LCD).....	1
43	00-442733	Pin - Cotter (Locking).....	1
44	00-442709	Hinge - Front (Right).....	1
45	00-442729	Pin - Clevis.....	1
46	00-446755	Gasket - Touchscreen.....	1
47	00-442703-00003	Cap - Antenna (Black).....	1
48	00-442699	Label - Warning.....	1
49	00-445341	Label - Battery.....	1
50	00-443131-061-1	Label - Warning (California).....	1



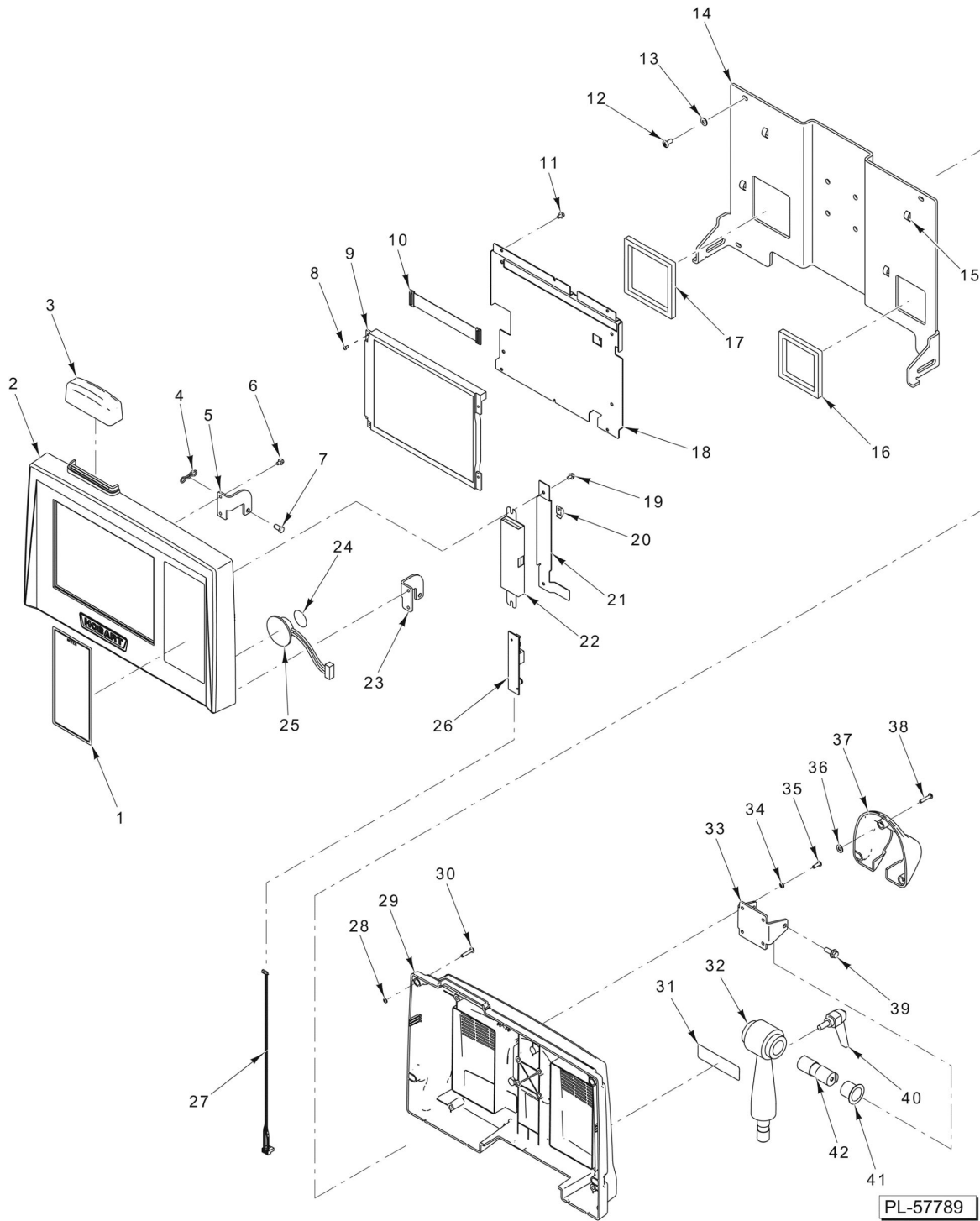
36 00-251199 Tie - Cable
PART NOT ILLUSTRATED

PL-57788

**CONSOLE
 (EPCP-1 VXWORKS) (ML-29269)**

**CONSOLE
(EPCP-1 VXWORKS) (ML-29269)**

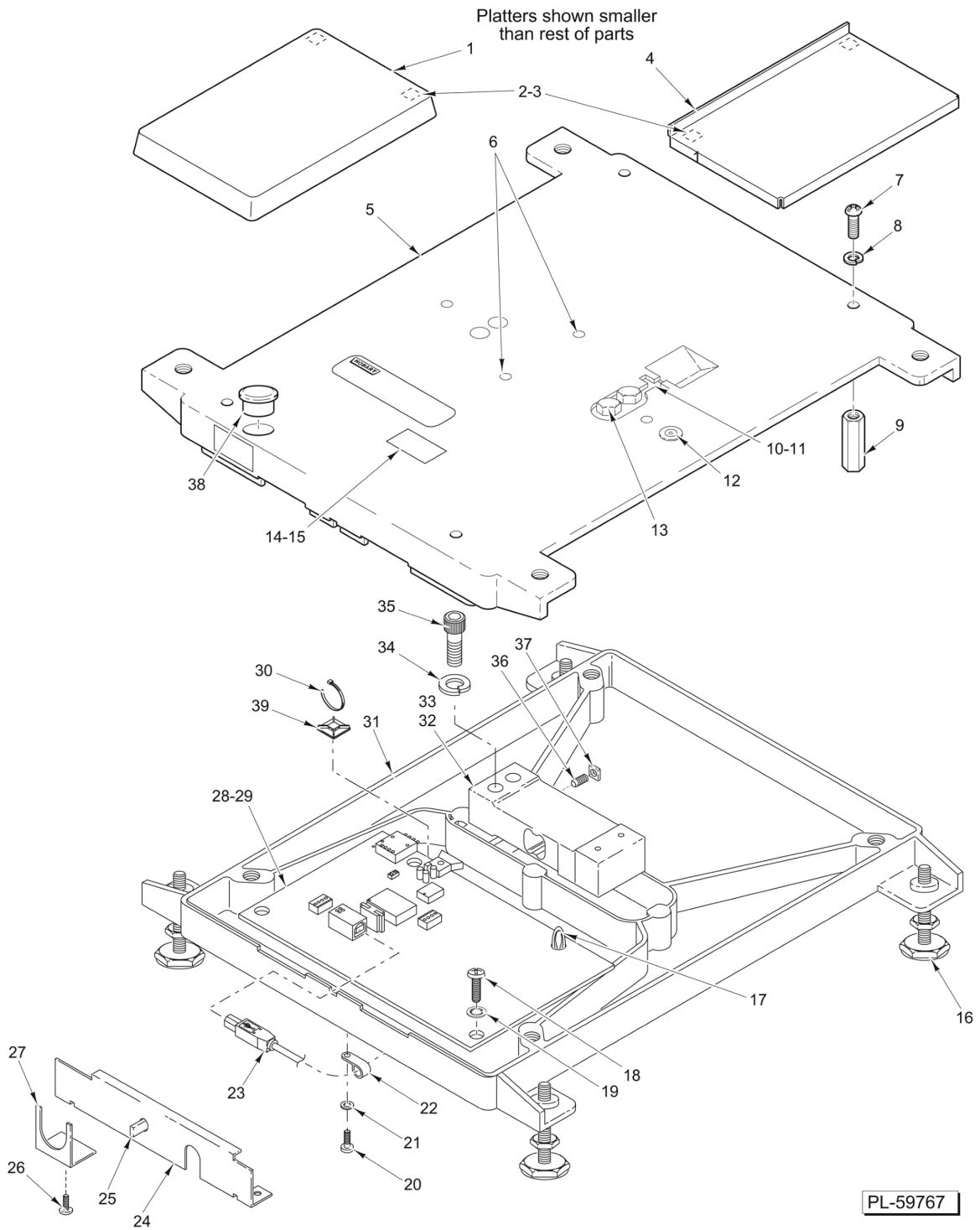
ILLUS. PL-57788	PART NO.	NAME OF PART	AMT.
1	00-442716	Base Assy. - Box.....	1
2	00-442876	Cable Assy. - Audio Line Out.....	1
3	NS-011-12	Stop Nut 8-32 (SST).....	3
4	00-443670	Board Assy. - TFT Video Interface.....	1
5	00-443439	Fan (CPU).....	1
6	00-441827	Battery - Lithium Coin (CR2032).....	1
7	SC-018-30	Mach. Screw 8-32 x 1/4 Phil. Pan Hd.....	2
8	00-441915	Board Assy. - USB/Ethernet.....	1
9	00-443080-00027	Flash - Compact (Programmed)(All Except AWS-1B).....	1
10	00-446639-00012	Flash - Compact Programmed (AWS-1B Only).....	1
11	00-441970	Board Assy. (128MB, SDRAM).....	1
12	00-442901	Label (V.x Works).....	1
13	SC-018-30	Mach. Screw 8-32 x 1/4 Phil. Pan Hd.....	4
14	00-443750	Board Assy Console (EPP).....	1
15	FE-023-52	Bushing - Electrical Snap 0.312 I.D.....	1
16	00-442718	Wall - Console Middle.....	1
17	00-445317	Power Supply - EPCP Console (Incls. Power Input Assy.) (Manufacture - Power One)	1
18	SC-111-76	Mach. Screw 4-40 x 5/16 Phil. Pan Hd.....	4
19	WL-008-45	Lockwasher #4 Internal Shakeproof.....	4
20	00-441944	Fan Assy.....	1
21	00-442952	Screw - Fan.....	4
22	00-442721	Bracket - Fan Mount.....	1
23	SC-128-55	Mach. Screw 8-32 x 1/4 Hex Hd.....	2
24	SC-128-55	Mach. Screw 8-32 x 1/4 Hex Hd.....	3
25	00-438131-061-1	Label - Warning (California).....	1
26	00-442699	Label - Warning.....	1
27	00-442717	Cover - Box.....	1
28	00-184929	Contact - Compression Spring (Qty. of 8).....	AR
29	00-442990	Bracket - Cable Hold.....	1
30	SC-128-55	Mach. Screw 8-32 x 1/4 Hex Hd.....	2
31	00-441987	Power Input Assy. (Use Only with Mean Well Power Supply).....	1
32	SC-018-30	Mach. Screw 8-32 x 1/4 Phil. Pan Hd.....	1
33	WL-008-07	Lockwasher #8 Internal Shakeproof.....	1
34	00-442711	Standoff.....	2
35	00-444562	Card - Wireless Cisco CB21AG.....	1
36	00-251199	Tie - Cable (4 In. Long).....	1



**DISPLAY
(EPCP-1 VXWORKS) (ML-29269)**

DISPLAY
(EPCP-1 VXWORKS) (ML-29269)

ILLUS. PL-57789	PART NO.	NAME OF PART	AMT.
1	00-444122	Label - Dry Erase.....	1
2	00-443413-00001	Housing Assy. - Front (Black) (Incls. Item 1 & Touchscreen).....	1
3	00-442703-00003	Cap - Antenna (Black).....	1
4	00-442733	Pin - Cotter (Locking).....	2
5	00-442708	Hinge - Front (Left).....	1
6	SC-128-55	Mach. Screw 8-32 x 1/4 Hex Hd.....	AR
7	00-442729	Pin - Clevis.....	2
8	SC-126-48	Mach. Screw 4-40 x 1/4 Phil. Pan Hd. (SST).....	4
9	00-442845	Display - Color (10.4 In.) (With Pink/White Harness).....	1
10	00-441996	Cable - Video (41 Pos.).....	1
11	SC-128-55	Mach. Screw 8-32 x 1/4 Hex Hd.....	4
12	SC-018-31	Mach. Screw 8-32 x 3/8 Phil. Pan Hd.....	4
13	WS-023-22	Washer (SST).....	4
14	00-442706	Plate - Support.....	1
15	00-184929	Contact - Compression Spring (Qty. of 8).....	AR
16	00-442719	Gasket - Plenum (2.5 In.).....	1
17	00-442735	Gasket - Plenum (3.0 In.).....	1
18	00-442946	Plate - Display Mount.....	1
19	SC-128-55	Mach. Screw 8-32 x 1/4 Hex Hd.....	2
20	00-184929	Contact - Compression Spring (Qty. of 8).....	AR
21	00-442949	Cover - LCD Inverter.....	1
22	00-442955	Shield Assy. - Inverter.....	1
23	00-442709	Hinge - Front (Right).....	1
24	00-442736	Pad - Speaker.....	1
25	00-441941	Speaker Assy.....	1
26	00-442846	Inverter - Display (Two Tube).....	1
27	00-442850	Cable Assy. - Inverter (DC Power).....	1
28	00-442732	Washer - Retainer.....	AR
29	00-442701-00003	Housing Assy. - Rear (Black).....	1
30	SC-112-91	Mach. Screw 8-32 x 7/8 Phil. Pan Hd.....	4
31	00-443066	Label - Notice (Mercury).....	1
32	00-442730	Post Assy. - Console.....	1
33	00-442713	Bracket - Console Mount.....	1
34	WS-023-20	Washer.....	4
35	SC-110-31	Mach. Screw 10-24 x 3/4 Hex Hd.....	4
36	00-442732	Washer - Retainer.....	3
37	00-442704	Cover - Console Mount.....	1
38	SC-093-04	Mach. Screw 8-32 x 1/2 Phil. Pan Hd. (SST).....	3
39	SC-123-92	Mach. Screw 1/4-20 x 5/8 Hex Washer Hd.....	2
40	00-442734	Knob - Console Mount.....	1
41	00-438280	Bushing.....	2
42	00-442712	Pivot - Console Mount.....	1



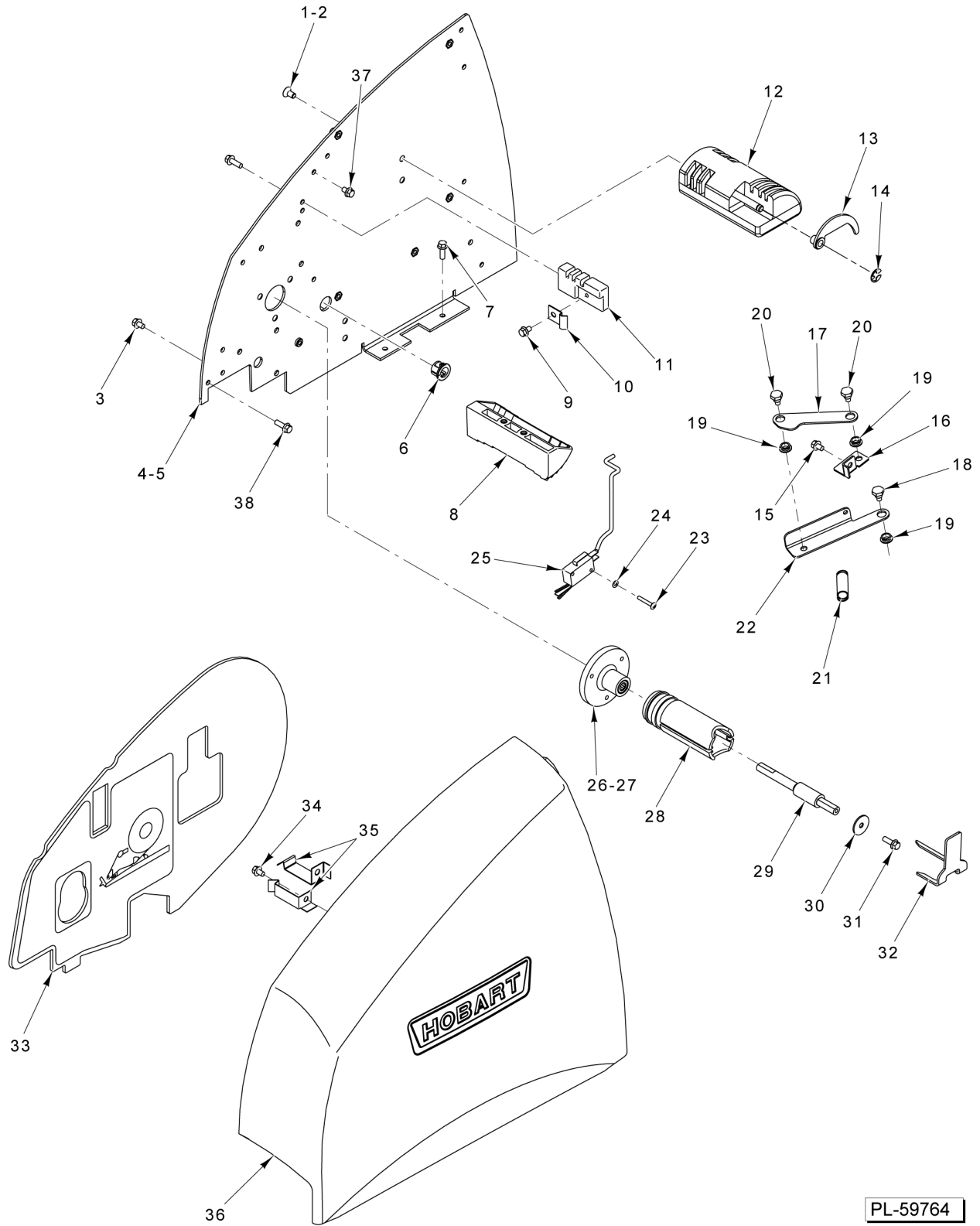
SCALE ASSEMBLY (USB)

SCALE ASSEMBLY (USB)

ILLUS.	PART NO.	NAME OF PART	AMT.
PL-59767			
1	00-043812	Platter (Incls. Items 2 & 3).....	1
2	00-258959	Fastener - Dual Lock.....	4
3	00-258958	Fastener - Dual Lock.....	4
4	00-043813	Platter (Incls. Items 2 & 3).....	1
5	00-041559	Support - Platter.....	1
6	SC-123-20	Set Screw 10-32 x 3/8 Hex Hdls., Socket Hd.....	2
7	SC-113-08	Mach. Screw 10-32 x 1/2 Phil. Pan Hd.....	4
8	WL-004-40	Lockwasher 10 Helical.....	4
9	00-441780	Stop - Loadcell.....	4
10	SC-123-20	Set Screw 10-32 x 3/8 Hex Hdls., Socket Hd.....	1
11	NS-046-58	Nut 10-32 Square.....	2
12	00-043112	Level - Spirit.....	1
13	SC-110-12	Cap Screw 1/4-20 x 5/8 Hex Hd.....	2
14	00-443978	Label - Capacity (25 kg) (ML-29275).....	1
15	00-443977	Label - Capacity (15 kg) (ML-29276).....	1
16	00-093160	Foot - Leveling Screw.....	4
17	00-042808	Support - Circuit Board.....	2
18	SC-112-42	Mach. Screw 6-32 x 1/2 Phil. Pan Hd.....	2
19	WL-008-01	Lockwasher #6 Internal Shakeproof.....	2
20	SD-015-40	Self-Tapping Screw 8-32 x 3/8 Phil. Pan Hd., Type TT.....	1
21	WS-019-09	Washer.....	1
22	00-253363	Clamp.....	1
23	00-441937-00002	Cable - USB (2.0 A-B) (10 Ft.).....	1
24	00-443812	Cover - Circuit Board.....	1
25	00-042600	Actuator - Service Switch.....	1
26	00-183906	Screw (Special Fil. Hd.).....	2
27	00-042601	Plate - Sealing.....	1
*28	00-446545	Board Assy. (USB Weigher) (ML-29276).....	1
**29	00-446545	Board Assy. (USB Weigher) (ML-29275).....	1
30	00-251199	Tie - Cable (4 In. Long).....	1
31	00-042604	Base Assy.....	1
32	00-044899	Load Cell Assy. (30 kg) (ML-29275).....	1
33	00-442777	Loadcell Assy. (20 kg) (ML-29276).....	1
34	WL-003-39	Lockwasher 1/4 Light.....	2
35	SC-120-70	Cap Screw 1/4-20 x 1-5/8 Hex Socket Hd.....	2
36	SC-123-20	Set Screw 10-32 x 3/8 Hex Hdls., Socket Hd.....	1
37	NS-046-58	Nut 10-32 Square.....	1
38	00-041562	Plug - Transparent (1/2).....	1
39	00-255503	Mount - Cable Tie.....	1

* (Or 00-443732-00001 Board Assy., if available.)

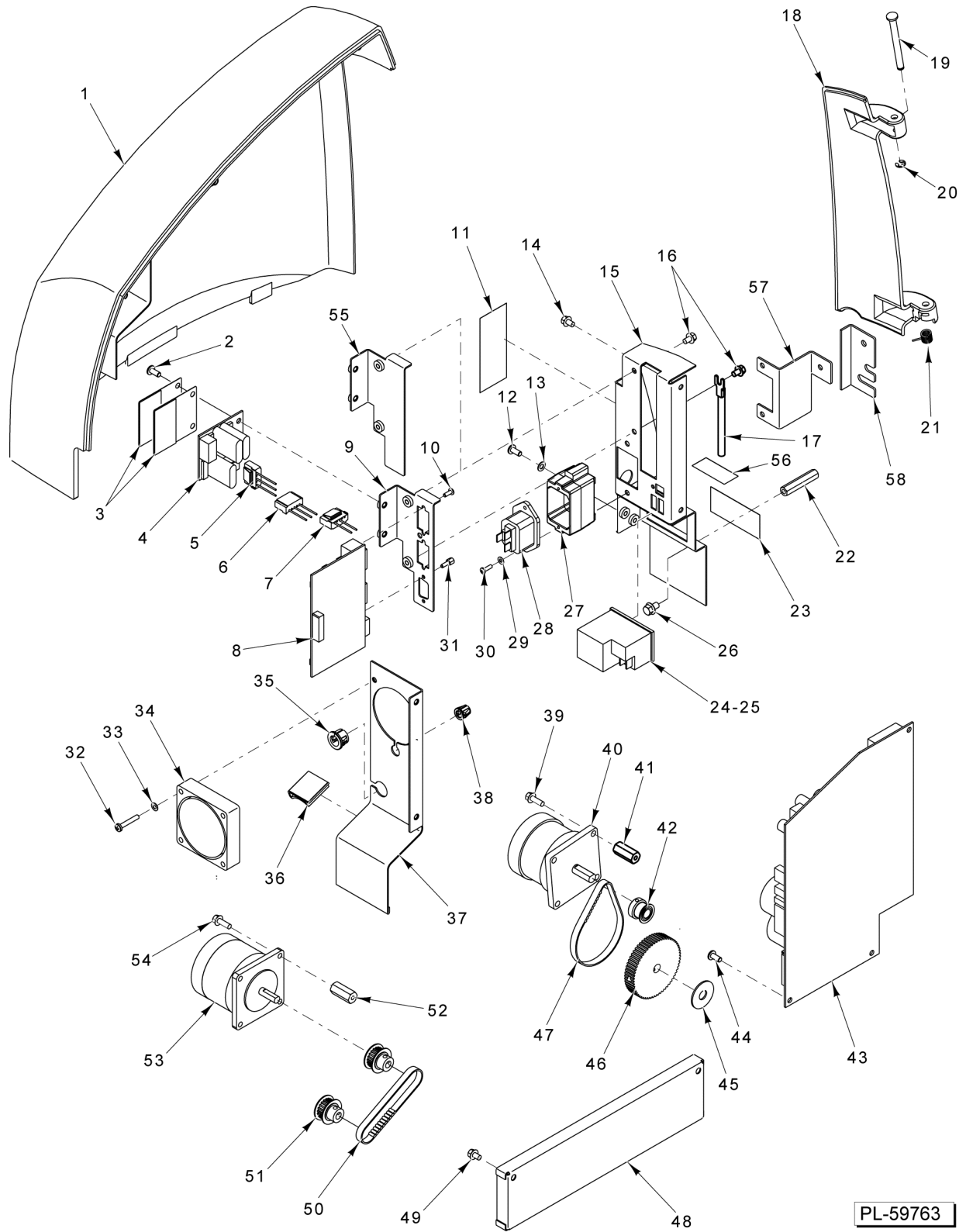
** (Or 00-443732-00002 Board Assy., if available.)



**PRINTER
(RIGHT SIDE)**

**PRINTER
(RIGHT SIDE)**

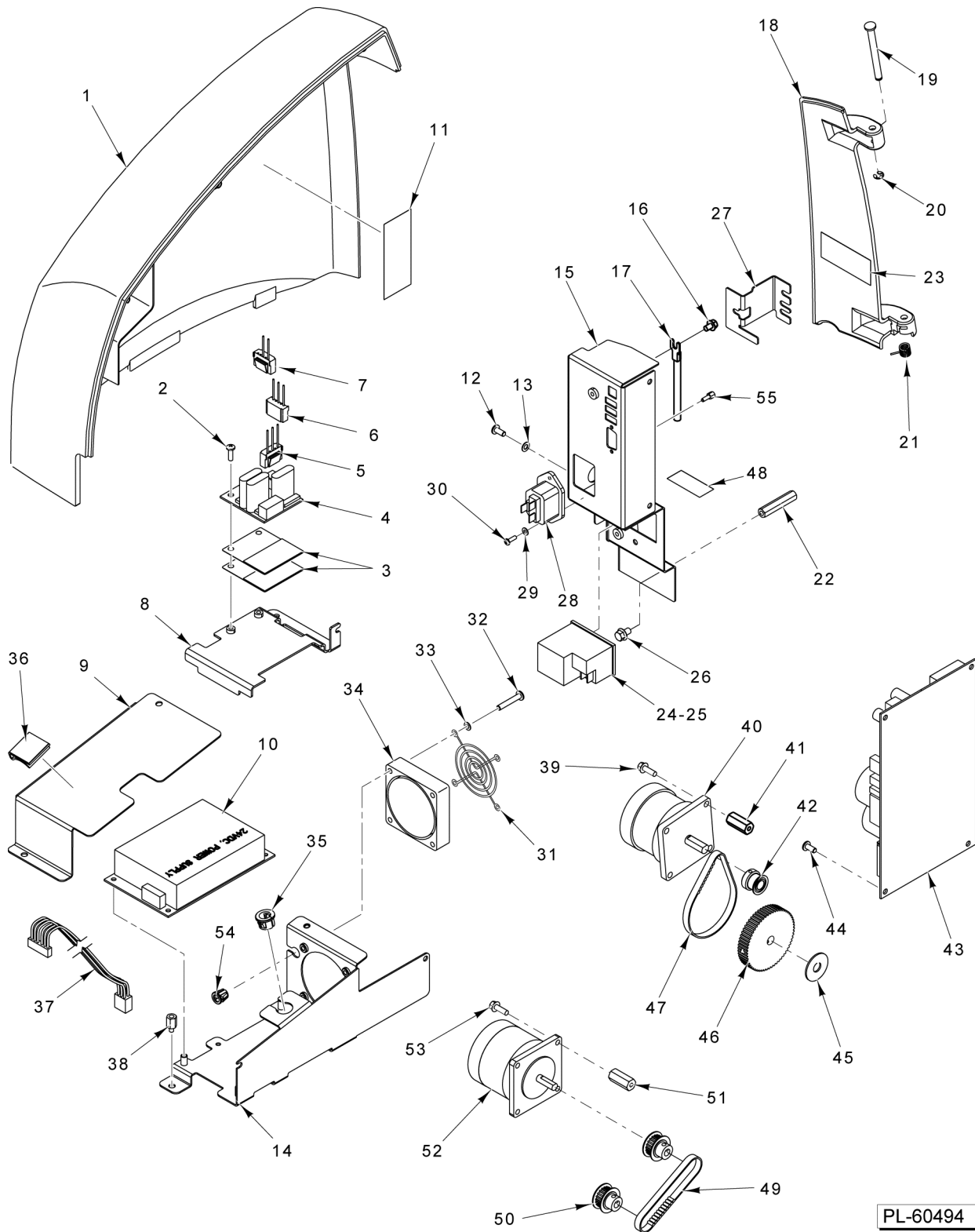
ILLUS. PL-59764	PART NO.	NAME OF PART	AMT.
1	SC-020-23	Mach. Screw 10-24 x 3/8 Phil. Flat Hd.....	AR
2	00-520228	Adhesive (Loctite #242, Blue) (Use with Item 1).....	AR
3	SC-128-55	Mach. Screw 8-32 x 1/4 Hex Hd.....	3
4	00-442602	Wall - Printer Main (EPP-1 & EPP-2 Only).....	1
5	00-445620	Plate - Wall (EPP-3 Only).....	1
6	FE-023-52	Bushing - Electrical Snap 0.312 I.D.....	1
7	SC-128-54	Mach. Screw 8-32 x 1/2 Hex Hd.....	2
8	00-442638	Guide - Top Label.....	1
9	SC-128-55	Mach. Screw 8-32 x 1/4 Hex Hd.....	1
10	00-442641	Catch - Main Door Latch.....	1
11	00-442640	Support - Upper Guide Plate.....	1
12	00-443739	Hub Assy. Support Roll.....	1
13	00-443755	Guide Assy. - Supply Roll.....	1
14	RR-006-22	Retaining Ring 1/4 In. (SST).....	1
15	SC-128-55	Mach. Screw 8-32 x 1/4 Hex Hd.....	1
16	00-442663	Bracket - Hold-Open Door Mounting.....	1
17	00-442661	Link - Door Stop (Non-Locking).....	1
18	00-442664	Screw - Shoulder (Door Mounting).....	1
19	00-043253	Bushing - Nyliner.....	3
20	00-442664	Screw - Shoulder (Door Mounting).....	2
21	00-442690	Spring - Door Hold-Open.....	1
22	00-442662	Link - Door Stop (Bottom).....	1
23	SC-127-24	Mach. Screw 4-40 x 3/4 Phil. Truss Hd.....	2
24	WL-013-02	Lockwasher #4 Internal Shakeproof (SST).....	2
25	00-441934	Switch Assy. - Head Up Sensor.....	1
26	00-442643	Hub Assy. - Take-Up.....	1
27	00-103881-00011	Lubricant (#630AA, 2 Oz.).....	AR
28	00-442651	Hub - Take-Up.....	1
29	00-442650	Shaft - Take-Up Hub.....	1
30	00-442652	Washer - Take-Up Drive.....	1
31	SC-128-54	Mach. Screw 8-32 x 1/2 Hex Hd.....	1
32	00-442672	Key - Take-Up.....	1
33	00-442980	Plate Assy. - Label Stock Guide.....	1
34	SC-128-55	Mach. Screw 8-32 x 1/4 Hex Hd.....	1
35	00-442642	Hook - Main Door Latch.....	1
36	00-442674	Housing - Printer Door.....	1
37	SC-128-55	Mach. Screw 8-32 x 1/4 Hex Hd.....	3
38	SC-128-54	Mach. Screw 8-32 x 1/2 Hex Hd.....	AR



**PRINTER
(EPP-1 & EPP-2)
(LEFT SIDE)**

**PRINTER
(EPP-1 & EPP-2)
(LEFT SIDE)**

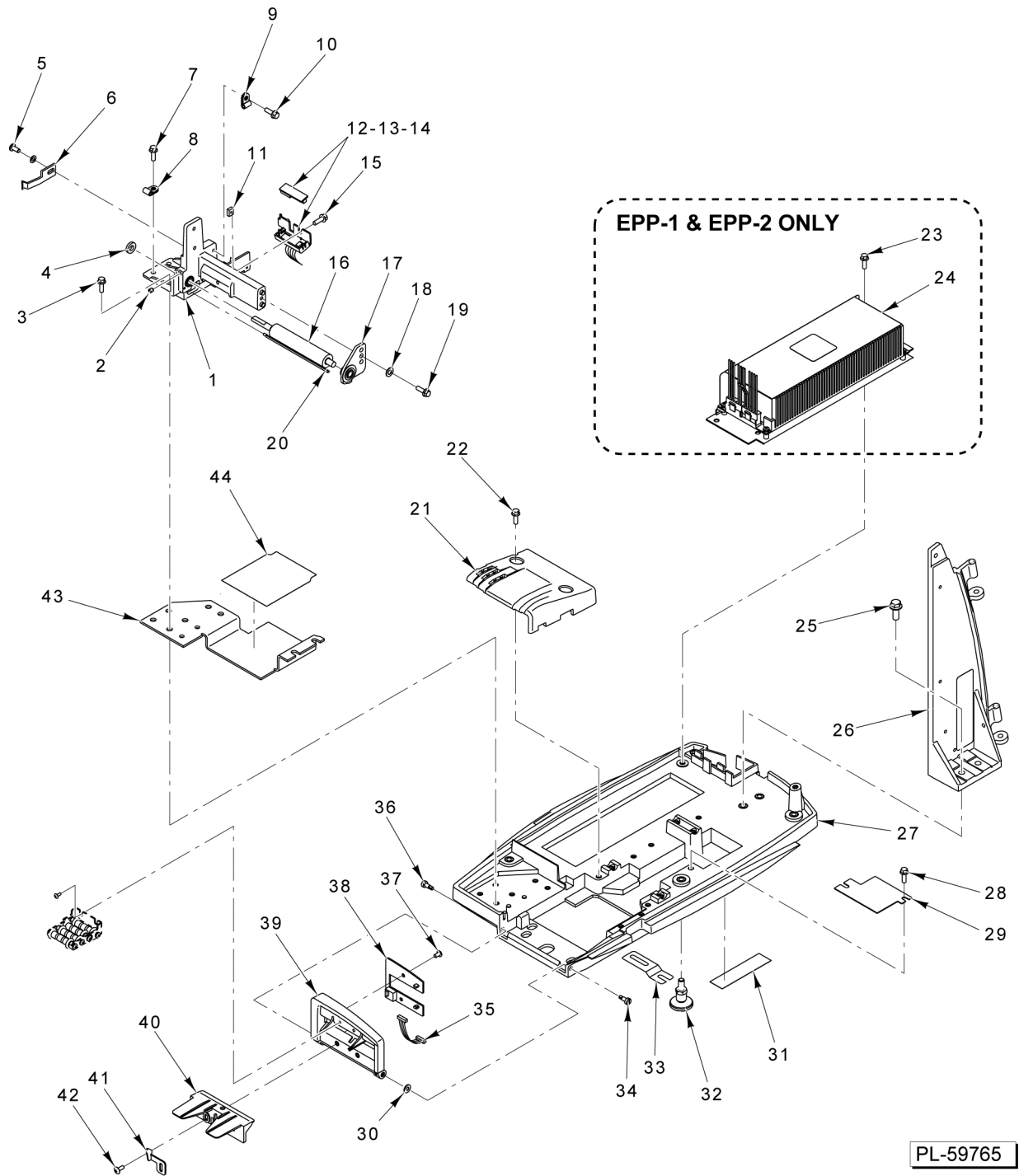
ILLUS. PL-59763	PART NO.	NAME OF PART	AMT.
1	00-442677	Housing - Printer Fixed.....	1
2	SC-129-33	Mach. Screw 8-32 x 3/8 Phil. Pan Hd.....	2
3	00-443081	Shield - PC Surge Protection.....	2
4	00-442910	Board Assy. - Surge Protection.....	1
5	00-442913	Cable Assy. (EPP Power Input to Surge Board).....	1
6	00-442914	Cable Assy. (EPP Surge Board to Power Out).....	1
7	00-442912	Cable Assy. (EPP Surge Board to Power Supply).....	1
8	00-442881-00001	Board Assy. - LSMN (ML-29268).....	1
9	00-442660	Plate - Cover (Option PCB) (ML-29268).....	1
10	SC-129-40	Mach. Screw 4-40 x 1/4 Phil. Pan Hd. (ML-29268).....	4
11	00-438131-061-1	Label - Warning (California).....	1
12	SC-129-33	Mach. Screw 8-32 x 3/8 Phil. Pan Hd.....	2
13	WL-008-07	Lockwasher #8 Internal Shakeproof.....	2
14	SC-128-55	Mach. Screw 8-32 x 1/4 Hex Hd.....	2
15	00-442654	Bracket - Cable Connection.....	1
16	SC-128-55	Mach. Screw 8-32 x 1/4 Hex Hd.....	3
17	00-443788	Wire Assy. (Ground Strap).....	1
18	00-442676	Cover - Printer Connector.....	1
19	00-442675	Pin - Hinge.....	2
20	RR-006-03	Retaining Ring.....	2
21	00-442685	Spring - Cable Cover Door.....	1
22	00-443769	Standoff - Cable Routing.....	1
23	00-047052	Label - Fuse.....	1
24	00-442888	Power Input Module Assy. (Incls. Item 25).....	1
25	00-441406-00002	Fuse (2.5 Amp., SLO).....	1
26	SC-128-55	Mach. Screw 8-32 x 1/4 Hex Hd.....	1
27	00-442655	Spacer - AC Outlet.....	1
28	00-442889	Power Output Module Assy.....	1
29	WL-013-02	Lockwasher #4 Internal Shakeproof (SST).....	2
30	SC-125-30	Mach. Screw 4-40 x 3/8 Phil. Pan Hd. (SST).....	2
31	00-257128	Screwlock - Female (ML-29268).....	2
32	SC-074-12	Mach. Screw 6-32 x 7/8 Phil. Rd. Hd.....	3
33	WL-008-01	Lockwasher #6 Internal Shakeproof.....	3
34	00-440170	Fan - Brushless (24 V.).....	1
35	FE-023-52	Bushing - Electrical Snap 0.312 I.D.....	1
36	00-442590	Clip - Flat Wire Retainer.....	1
37	00-442653	Wall - Divider.....	1
38	FE-026-23	Bushing - Electrical Split 0.265 I.D.....	1
39	SC-128-54	Mach. Screw 8-32 x 1/2 Hex Hd.....	3
40	00-449494	Motor Assy. Brushless W/Pulley.....	1
41	00-442649	Spacer - Stepper Motor.....	3
42	NLA	No Longer Available (Included with Item 40).....	1
43	00-443685-00001	Board Assy. - Printer Control.....	1
44	SC-129-33	Mach. Screw 8-32 x 3/8 Phil. Pan Hd.....	5
45	00-443055	Washer - Shim.....	1
46	00-442681	Pulley - Take-Up Drive.....	1
47	00-442683	Belt - Take-Up Motor.....	1
48	00-442687	Cover - Power Supply.....	1
49	SC-128-55	Mach. Screw 8-32 x 1/4 Hex Hd.....	2
50	00-442684	Belt - Print Roller & Stepper Motor.....	1
51	00-442682	Pulley - Print Roller & Stepper Motor.....	2
52	00-442649	Spacer - Stepper Motor.....	3
53	00-449492	Motor, Stepper Assy. EPP W/Pulley (Includes Item 51).....	1
54	SC-128-54	Mach. Screw 8-32 x 1/2 Hex Hd.....	3
55	00-446797	Plate - Cover (EPP-2) (Used in place of Item 9) (ML-29333).....	1
56	00-444514	Label - Outlet Power.....	1
57	00-447689	Bracket - USB Connector.....	1
58	00-447694	Bracket - USB Connector.....	1



**PRINTER
(EPP-3)
(LEFT SIDE)**

**PRINTER
(EPP-3)
(LEFT SIDE)**

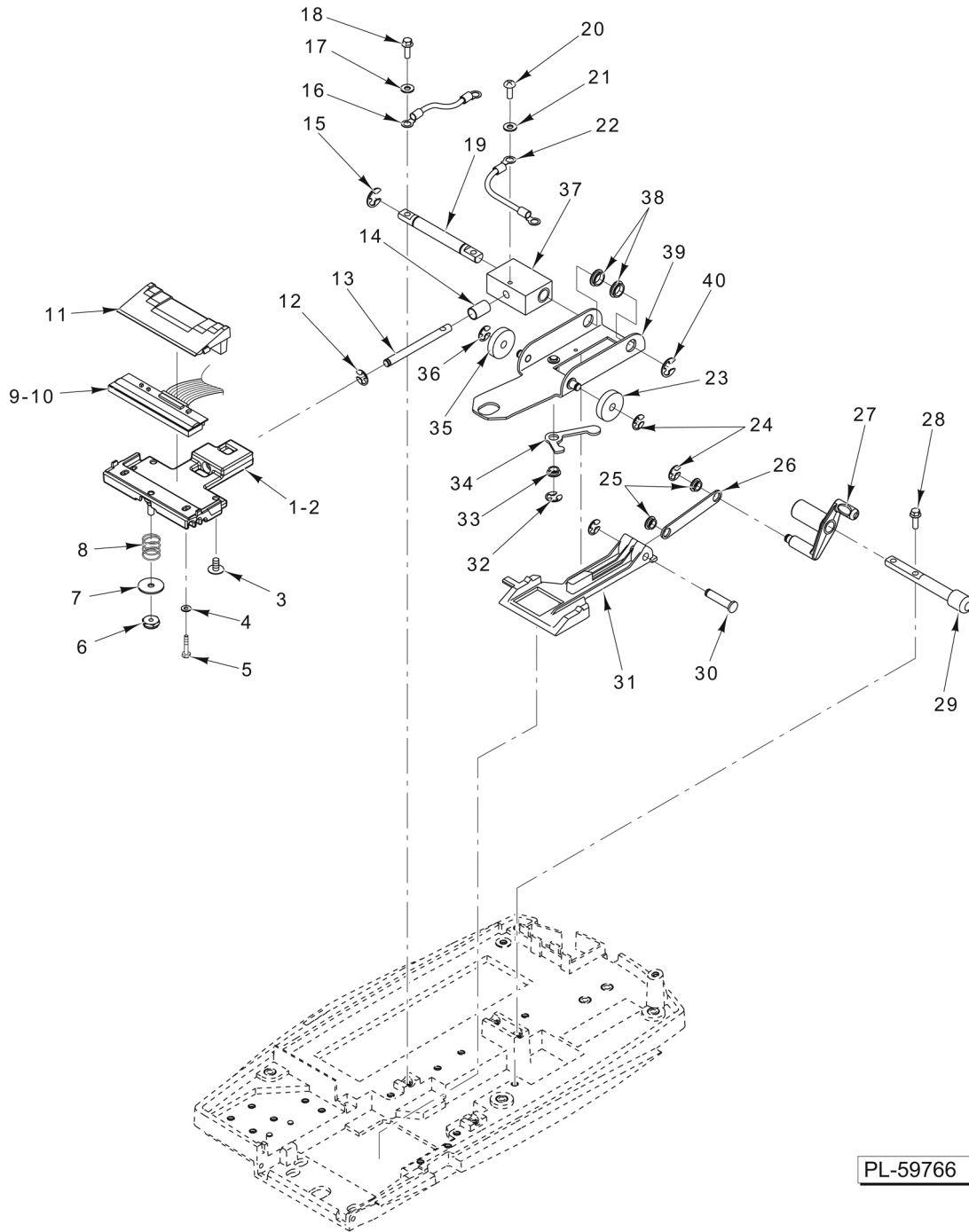
ILLUS. PL-60494	PART NO.	NAME OF PART	AMT.
1	00-442677	Housing - Printer Fixed.....	1
2	SC-129-33	Mach. Screw 8-32 x 3/8 Phil. Pan Hd.....	2
3	00-443081	Shield - PC Surge Protection.....	2
4	00-442910	Board Assy. - Surge Protection.....	1
5	00-447700	Cable Assy. (EPP Power Input to Surge Board).....	1
6	00-442914	Cable Assy. (EPP Surge Board to Power Out).....	1
7	00-447699	Cable Assy. (EPP Surge Board to Power Supply).....	1
8	00-445612	Bracket - Board Mounting.....	1
9	00-445614	Cover - Power Supply.....	1
10	00-443549-00002	Power Supply.....	1
11	00-447666	Label - Warning.....	1
12	SC-129-33	Mach. Screw 8-32 x 3/8 Phil. Pan Hd.....	2
13	WL-008-07	Lockwasher #8 Internal Shakeproof.....	2
14	00-445613	Bracket - Power Supply.....	1
15	00-445608	Bracket - Rear.....	1
16	SC-128-55	Mach. Screw 8-32 x 1/4 Hex Hd.....	1
17	00-443788	Wire Assy. (Ground Strap).....	1
18	00-442676	Cover - Printer Connector.....	1
19	00-442675	Pin - Hinge.....	2
20	RR-006-03	Retaining Ring.....	2
21	00-442685	Spring - Cable Cover Door.....	1
22	00-443769	Standoff - Cable Routing.....	1
23	00-447804	Label - Fuse.....	1
24	00-442888	Power Input Module Assy. (Incls. Item 25).....	1
25	00-441406-00002	Fuse (2.5 Amp., SLO).....	1
26	SC-128-55	Mach. Screw 8-32 x 1/4 Hex Hd.....	1
27	00-447715	Bracket - USB.....	1
28	00-445737	Power Output Module Assy.....	1
29	WL-013-02	Lockwasher #4 Internal Shakeproof (SST).....	2
30	SC-125-30	Mach. Screw 4-40 x 3/8 Phil. Pan Hd. (SST).....	2
31	00-041799	Guard - Fan.....	1
32	SC-111-94	Mach. Screw 8-32 x 1-1/4 Phil. Pan Hd.....	3
33	WL-008-01	Lockwasher #6 Internal Shakeproof.....	3
34	00-444906	Fan - Brushless (24 V.).....	1
35	FE-023-52	Bushing - Electrical Snap 0.312 I.D.....	1
36	00-442590	Clip - Flat Wire Retainer.....	1
37	00-444769	Cable Assy. - DC Power.....	1
38	00-447356	Spacer.....	1
39	SC-128-54	Mach. Screw 8-32 x 1/2 Hex Hd.....	3
40	00-449494	Motor Assy. Brushless W/Pulley.....	1
41	00-442649	Spacer - Stepper Motor.....	3
42	NLA	No Longer Available (Included with Item 40).....	1
43	00-445396	Board Assy. (Printer Control).....	1
44	SC-129-33	Mach. Screw 8-32 x 3/8 Phil. Pan Hd.....	5
45	00-443055	Washer - Shim.....	1
46	00-442681	Pulley - Take-Up Drive.....	1
47	00-442683	Belt - Take-Up Motor.....	1
48	00-444514	Label - Outlet Power.....	1
49	00-442684	Belt - Print Roller & Stepper Motor.....	1
50	00-442682	Pulley - Print Roller & Stepper Motor.....	2
51	00-442649	Spacer - Stepper Motor.....	3
52	0-449492	Motor, Stepper Assy. EPP W/Pulley (Print Roller Drive) (Includes Item 50).....	1
53	SC-128-54	Mach. Screw 8-32 x 1/2 Hex Hd.....	3
54	FE-026-23	Bushing - Electric.....	1
55	00-257128	Screwlock - Female.....	1



PRINTER (BOTTOM)

PRINTER (BOTTOM)

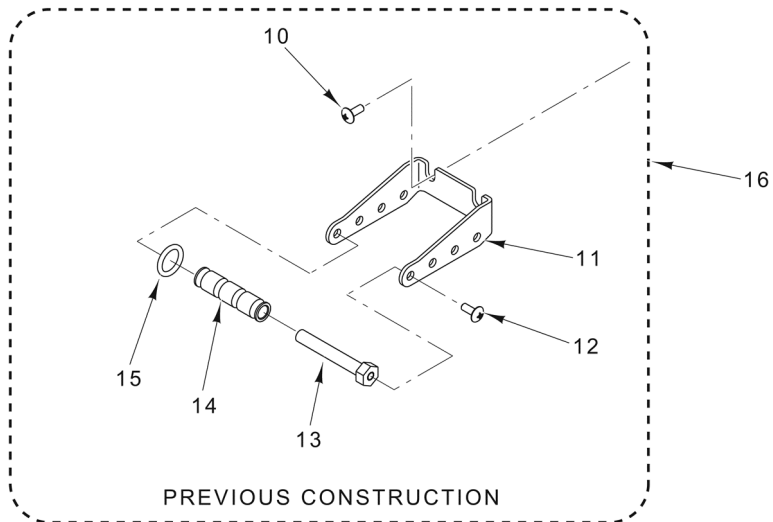
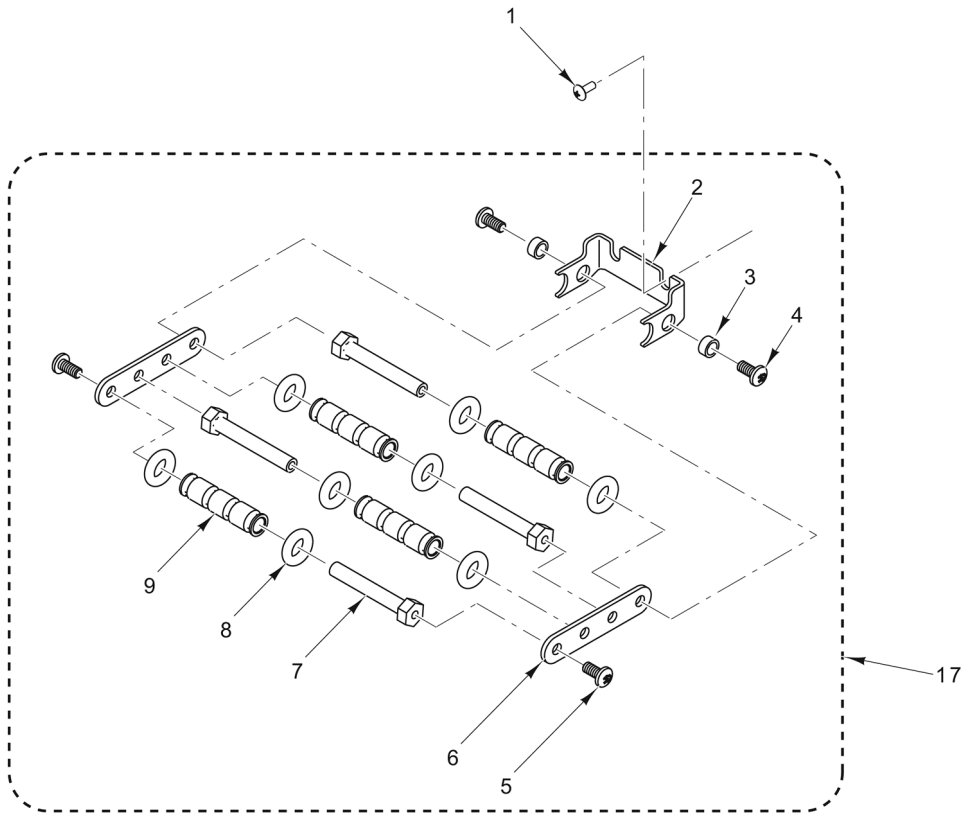
ILLUS. PL-59765	PART NO.	NAME OF PART	AMT.
1	00-442629	Support Assy. - Print Roller.....	1
2	SC-047-73	Set Screw 8-32 x 3/16 Hex Hdls., Cup Pt.....	1
3	SC-128-54	Mach. Screw 8-32 x 1/2 Hex Hd.....	8
4	00-443610	Spacer - Print Roller Pulley.....	1
5	SC-129-33	Mach. Screw 8-32 x 3/8 Phil. Pan Hd.....	1
6	00-447308	Latch - Label Door.....	1
7	SC-128-54	Mach. Screw 8-32 x 1/2 Hex Hd.....	1
8	00-442679	Clamp P Wire.....	1
9	00-442679	Clamp P Wire.....	1
10	SC-128-54	Mach. Screw 8-32 x 1/2 Hex Hd.....	1
11	00-442689	Nut - Head-Up Sensor Adjusting.....	1
12		Housing - Media Sensor (Order Item 14).....	1
13		Cable - Media Sensor Assy. (Order Item 14).....	1
14	00-443761	Sensor Assy. - Media (Incls. Cable & Housing).....	1
15	SC-128-54	Mach. Screw 8-32 x 1/2 Hex Hd.....	1
16	00-442635	Roller Assy. - Print.....	1
17	00-442633	Plate Assy. - End.....	1
18	WS-023-22	Washer (SST).....	1
19	SC-128-54	Mach. Screw 8-32 x 1/2 Hex Hd.....	1
20	00-442632	Bar - Peel.....	1
21	00-442671	Guide - Lower Label.....	1
22	SC-128-54	Mach. Screw 8-32 x 1/2 Hex Hd.....	2
23	SC-128-54	Mach. Screw 8-32 x 1/2 Hex Hd.....	4
24	00-442686-00001	Power Supply (EPP) (W/O Wire Harness) (EPP-1 & EPP-2 Only).....	1
25	SC-123-92	Mach. Screw 1/4-20 x 5/8 Hex Washer Hd.....	2
26	00-442604	Hinge - Printer Door.....	1
27	00-442601	Base - Printer.....	1
28	SC-128-54	Mach. Screw 8-32 x 1/2 Hex Hd.....	2
29	00-442666	Bracket - Ramp Hold-Down.....	1
30	WS-023-22	Washer (SST).....	1
31	00-184336	Label - Interference Warning (FCC Verification).....	1
32	00-443045	Foot Assy.....	4
33	00-447955	Retainer - Foot.....	4
34	00-442668	Shoulder Screw 6-32 x 1/4.....	1
35	00-441932	Cable Assy. Label Taken Sensor.....	1
36	00-442668	Shoulder Screw 6-32 x 1/4.....	1
37	SD-037-75	Self-Tapping Screw 6-19 x 1/4 Phil. Pan Hd.....	2
38	00-441823	Board - Label Taken Sensor.....	1
39	00-442667	Door - Label Taken Sensor.....	1
40	00-442670	Table - Label.....	1
41	00-442598	Finger - Center Tab.....	1
42	SC-066-02	Mach. Screw 6-32 x 3/8 Phil. Truss Hd. (SST).....	2
43	00-442603	Plate - Base Stiffner.....	1
44	00-442697	Label - Anti-Friction.....	1



PRINthead ASSEMBLY

PRINTHEAD ASSEMBLY

ILLUS. PL-59766	PART NO.	NAME OF PART	AMT.
1	00-442622	Heat Sink Assy. - Printhead.....	1
2	00-519504	Thermo Joint Compound (2 Oz.).....	AR
3	SD-033-27	Self-Tapping Screw 6-19 x 5/8 Phil. Pan Hd.....	2
4	WL-008-01	Lockwasher #6 Internal Shakeproof.....	2
5	SC-128-17	Mach. Screw M3 x 0.5 x 8mm Phil. Pan Hd.....	2
6	NS-031-16	Stop Nut 10-24 Hex Elastic (SST).....	1
7	00-442627	Guide - Printhead Pressure Spring.....	1
8	00-442626	Spring - Printhead Pressure.....	1
9	00-441984-00001	Printhead - Thermal.....	1
10	00-442870	Cable Assy. - Printhead.....	1
11	00-442628	Cover - Printhead.....	1
12	RR-006-22	Retaining Ring 1/4 In. (SST).....	1
13	00-442620	Shaft - Print Head Center Pivot.....	1
14	00-442621	Spring - Print Head Locating.....	1
15	RR-009-10	Retaining Ring 3/8 In. (SST).....	1
16	00-044287	Cable Assy. (Ground).....	1
17	WL-008-07	Lockwasher #8 Internal Shakeproof.....	1
18	SC-128-54	Mach. Screw 8-32 x 1/2 Hex Hd.....	2
19	00-442619	Shaft - Print Head Block Pivot.....	1
20	SC-018-34	Mach. Screw 8-32 x 1/2 Phil. Pan Hd.....	1
21	WL-008-07	Lockwasher #8 Internal Shakeproof.....	1
22	00-044287	Cable Assy. (Ground).....	1
23	00-442615	Roller - Print Head Pressure Plate.....	1
24	RR-006-22	Retaining Ring 1/4 In. (SST).....	3
25	00-043253	Bushing - Nylon.....	2
26	00-442607	Link - Print Head Lever.....	1
27	00-442609	Lever Assy. - Print Head.....	1
28	SC-128-54	Mach. Screw 8-32 x 1/2 Hex Hd.....	2
29	00-442608	Shaft - Ramp Lever Pivot.....	1
30	00-442606	Pin - Ramp Connecting Link.....	1
31	00-442605	Ramp - Print Head Pressure.....	1
32	RR-006-22	Retaining Ring 1/4 In. (SST).....	1
33	00-043253	Bushing - Nylon.....	1
34	00-442665	Lever - Print Head Release.....	1
35	00-442615	Roller - Print Head Pressure Plate.....	1
36	RR-006-22	Retaining Ring 1/4 In. (SST).....	1
37	00-442616	Block Assy. - Print Head Pivot.....	1
38	00-047967	Bearing - Nylon 3/8 Dia.....	2
39	00-442612	Plate Assy. - Print Head Pressure.....	1
40	RR-009-10	Retaining Ring 3/8 In. (SST).....	1



PL-59756

LABEL HOLD DOWN ASSEMBLY

LABEL HOLD DOWN ASSEMBLY

ILLUS.	PART NO.	NAME OF PART	AMT.
PL-59756			
1	SD-037-75	Self-Tapping Screw 6-19 x 1/4 Phil. Pan Hd.....	2
2	00-444603	Bracket - Label Hold Down.....	1
3	00-444605	Spacer - Label Hold Down Pivot.....	2
4	SC-129-40	Mach. Screw 4-40 x 1/4 Phil. Pan Hd.....	2
5	SC-129-40	Mach. Screw 4-40 x 1/4 Phil. Pan Hd.....	6
6	00-444604	Bracket - Roller Hold Down.....	2
7	00-443774	Shaft - Wheel Mounting Label.....	4
8	00-441580-00003	O-Ring.....	8
9	00-443799	Sleeve - Hold Down Wheel.....	4
10	SD-037-75	Self-Tapping Screw 6-19 x 1/4 Phil. Pan Hd. (Previous Construction).....	2
11	00-443771	Bracket - Label Hold Down (Previous Construction).....	1
12	SC-129-40	Mach. Screw 4-40 x 1/4 Phil. Pan Hd. (Previous Construction).....	8
13	00-443774	Shaft - Wheel Mounting Label (Previous Construction).....	4
14	00-443799	Sleeve - Hold Down Wheel (Previous Construction).....	4
15	00-441580-00003	O-Ring (Previous Construction).....	8
16	00-443770	Label Hold Down Assy. (Incls. Items 10 thru 15) (Previous Construction).....	1
17	00-444602	Label Hold Down Assy. (Incls. Items 2 thru 9).....	1

1	00-441419-00002	Cord - Printer to Console (15 Ft.)
2	00-441419-00003	Cord - Printer to Console (3 Ft.)
3	00-441419-00004	Cord - Printer to Console (25 Ft.)
4	00-257200	Cord - Printer Supply (9 Ft.)
5	00-441937-00001	Cable - USB (2.0 A-B) (6 Ft.)
6	00-441937-00002	Cable - USB (2.0 A-B) (10 Ft.)
7	00-441937-00003	Cable - USB (2.0 A-B) (15 Ft.)
8	00-441937-00004	Cable - USB (2.0 A-B) (3 Ft.)
9	00-444444-00001	Cable - Ethernet (CAT5E) (14 Ft.)
10	00-444444-00002	Cable - Ethernet (CAT5E) (25 Ft.)
11	00-443711	Cable - USB Active (ILA with EPP)
12	00-444432	Coupler - Ethernet (RJ45-F)
13	00-042063-00034	EPROM - Weigher (Ultima & UWS with EPP)
14	00-443444	USB Drive
15	00-443494	Wand Tip (CLA & UWS with EPP)
16	00-443086	Wand Tip (ILA with EPP)
17	00-443583	Sleeve - Bearing (Wand Tip Retainer)
18	00-913108	Stylus (Hobart Logo)
19	00-444540	Cover - Printer
20	00-444541	Cover - Console
21	00-444424	Roto Seal

PARTS NOT ILLUSTRATED

PL-60495

MISCELLANEOUS

MISCELLANEOUS

ILLUS.	PART NO.	NAME OF PART	AMT.
PL-60495			
1	00-441419-00002	Cord - Printer to Console (15 Ft.).....	AR
2	00-441419-00003	Cord - Printer to Console (3 Ft.).....	AR
3	00-441419-00004	Cord - Printer to Console (25 Ft.).....	AR
4	00-257200	Cord - Power Supply (Straight Plug) (9 Ft.) (Printer).....	AR
5	00-441937-00001	Cable - USB (2.0 A-B) (6 Ft.).....	AR
6	00-441937-00002	Cable - USB (2.0 A-B) (10 Ft.).....	AR
7	00-441937-00003	Cable - USB (2.0 A-B) (15 Ft.).....	AR
8	00-441937-00004	Cable - USB (2.0 A-B) (3 Ft.).....	AR
9	00-444444-00001	Cable - Ethernet (CAT5E) (14 Ft.).....	AR
10	00-444444-00002	Cable - Ethernet (CAT5E) (25 Ft.).....	AR
11	00-443711	Cable - USB Active (ILA with EPP).....	AR
12	00-444432	Coupler - Ethernet (RJ45-F).....	AR
13	00-042063-00034	EPROM - Weigher (Ultima & UWS with EPP).....	AR
14	00-443444	USB Drive.....	AR
15	00-443494	Wand Tip (CLA & UWS with EPP).....	AR
16	00-443086	Wand Tip (ILA with EPP).....	AR
17	00-443583	Sleeve - Bearing (Wand Tip Retainer).....	AR
18	00-913108	Stylus (Hobart Logo).....	AR
19	00-444540	Cover - Printer.....	AR
20	00-444541	Cover - Console.....	AR
21	00-444424	Seal - Wire Roto (8 In.).....	AR

