

# ecomax™

by **HOBART**

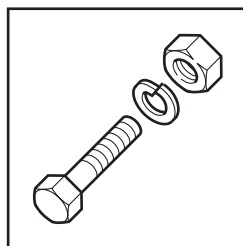


ES300  
ES300  
ES300  
ES300

ML-134452  
ML-134467  
ML-134468  
ML-134469

ES300CE  
ES300CE  
ES300CE

ML-134470  
ML-134472  
ML-141026

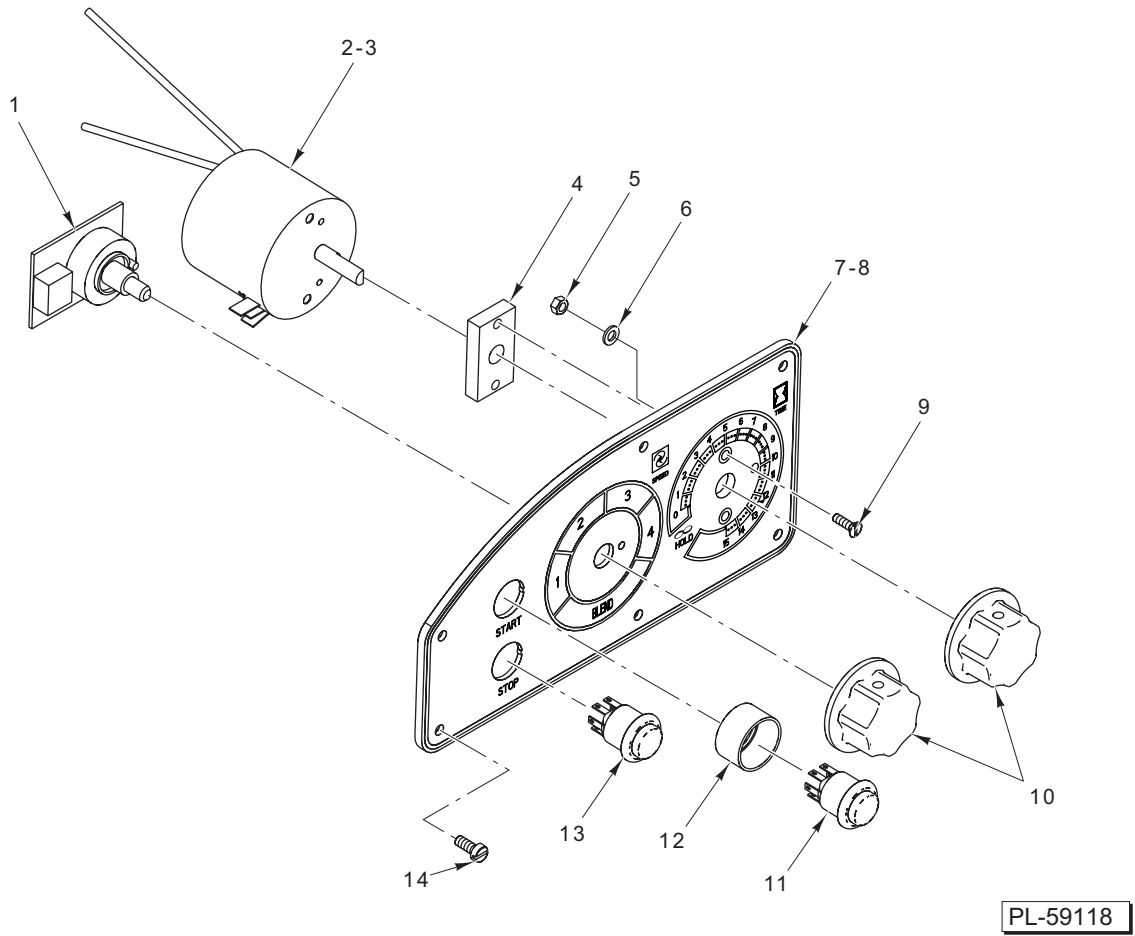


Spare Parts List



### Table of Contents

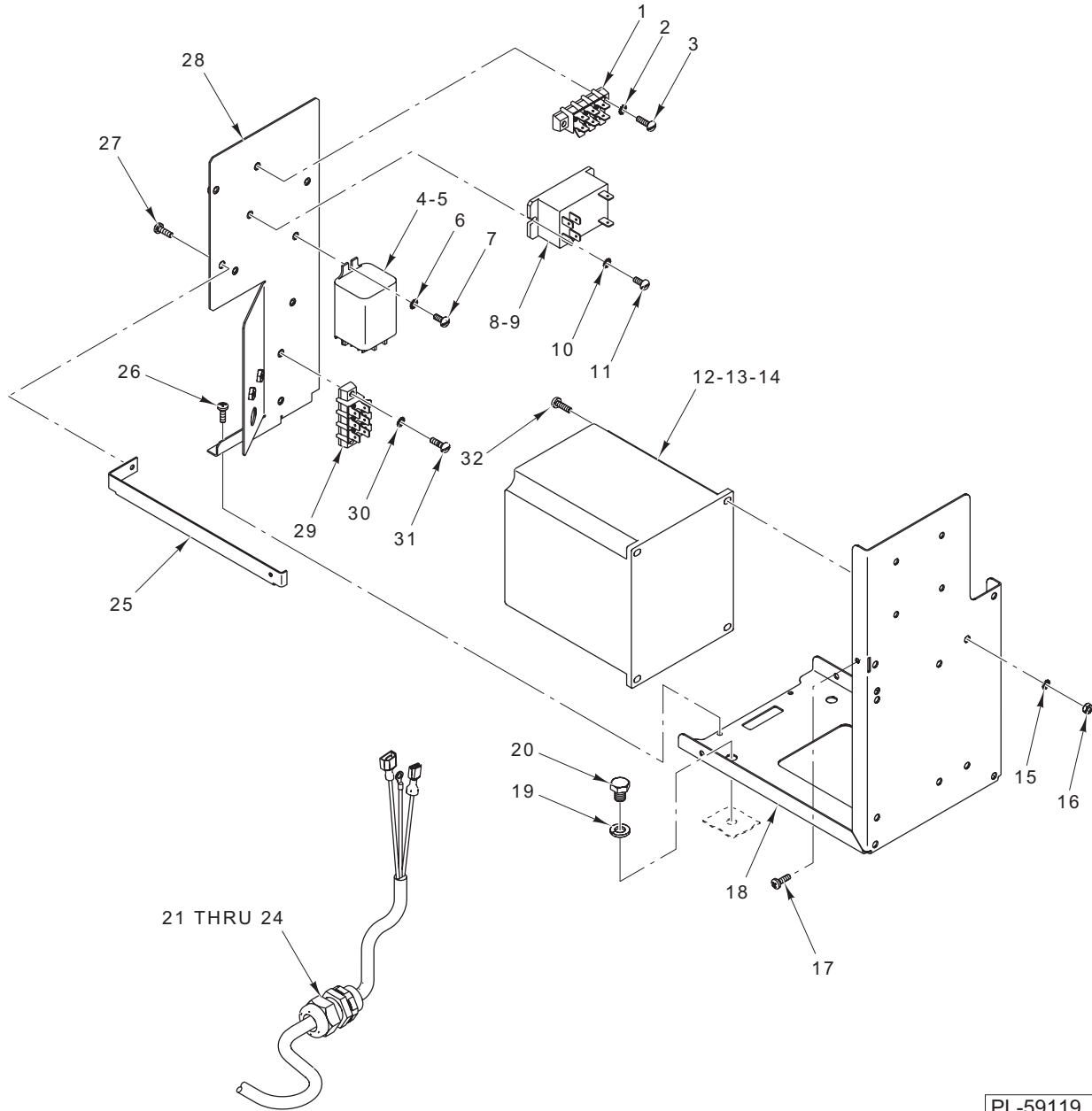
5	CONTROL PANEL
7	ELECTRICAL COMPONENTS (ML-134452, ML-134467, & ML-134468)
9	ELECTRICAL COMPONENTS (ML-134469, ML-134470, ML-134472, & ML-141026)
11	ATTACHMENT HUB
13	BASE AND PEDESTAL
15	BOWL SUPPORT
17	TRANSMISSION CASE AND MOTOR
19	TRANSMISSION
21	BOWL GUARD AND HEIGHT SENSOR
23	AGITATORS AND ACCESSORIES
24	WIRING HARNESS



**CONTROL PANEL**

**CONTROL PANEL**

ILLUS.	PART NO.	NAME OF PART	AMT.
PL-59118			
1	00-917354	PCB Assy – Speed Select .....	1
2	00-916988-00006	Timer Assy. (180-250 V., 60 Hz.) (ML-134467, ML-134468, ML-134469, ML-134470, ML-134472, & ML-141026).....	1
3	00-916988-00005	Timer Assy. (90-130 V., 60 Hz.) (ML-134452).....	1
4	00-916938	Spacer – Timer .....	1
5	NS-009-12	Nut 8-32 Hex (ML-134470, ML-134472, & ML-141026) .....	1
6	WL-007-06	Lockwasher #8 External (ML-134470, ML-134472, & ML-141026).....	1
7	00-917445	Panel – Operator (CE) (With Clinch Stud) (ML-134470, ML-134472, & ML-141026).....	1
8	00-917444	Panel – Operator (Black) .....	1
9	SC-022-72	Mach. Screw 5-40 x <sup>7</sup> / <sub>16</sub> Slotted Flat Hd. (SST) .....	2
10	00-917141	Knob – Control .....	2
11	00-917447	Switch – Start.....	1
12	00-917446	Guard – Switch .....	1
13	00-917448	Switch – Stop.....	1
14	SC-120-61	Mach. Screw M4 x 0.7 x 10mm Slotted Cheese Hd. ....	6

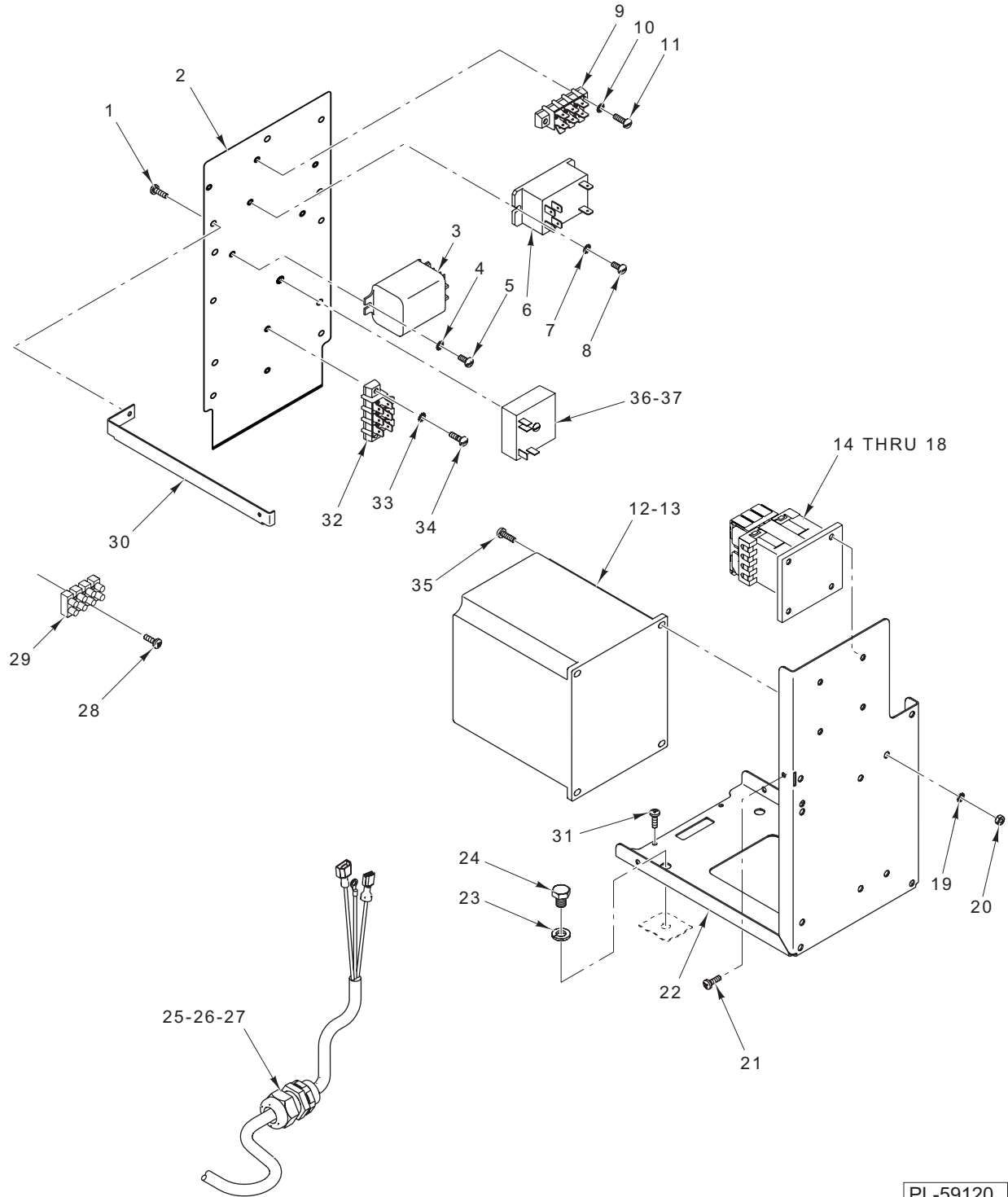


PL-59119

**ELECTRICAL COMPONENTS (ML-134452, ML-134467, & ML-134468)**

**ELECTRICAL COMPONENTS (ML-134452, ML-134467, & ML-134468)**

ILLUS. PL-59119	PART NO.	NAME OF PART	AMT.
1	00-916269	Block – Terminal 1/4 QC.....	1
2	WL-019-81	Lockwasher M4 (SST).....	2
3	SC-118-29	Mach. Screw M4 x 0.7 x 15mm Slotted Pan Hd. (SST).....	2
4	00-087714-020-3	Relay (3PDT) (240 V.) (ML-134467 & ML-134468).....	1
5	00-087714-020-2	Relay (3-Pole) (ML-134452).....	1
6	WL-019-81	Lockwasher M4 (SST).....	2
7	SC-200-02	Mach. Screw M4 x 0.7 x 10mm Slotted Pan Hd. (SST).....	2
8	00-087714-042-3	Relay (2-Pole) (240 VAC Coil) (ML-134467 & ML-134468).....	1
9	00-087714-042-1	Relay (2-Pole) (ML-134452).....	1
10	WL-019-81	Lockwasher M4 (SST).....	2
11	SC-200-02	Mach. Screw M4 x 0.7 x 10mm Slotted Pan Hd. (SST).....	2
12	00-917539	Controller (100-120 V., 50-60 Hz., 1 Ph.) (ML-134452).....	1
13	00-917540-00001	Controller (200-240 V., 50-60 Hz., 1 Ph.) (ML-134467).....	1
14	00-917541-00001	Controller (200-240 V., 50-60 Hz., 3 Ph.) (ML-134468 & ML-141026).....	1
15	WL-019-81	Lockwasher M4 (SST).....	4
16	NS-047-24	Nut M4 x 0.7 Hex (Brass).....	4
17	SD-039-50	Self-Tapping Screw M3.9 x 13 x 13mm Phil. Pan Hd. (SST).....	1
18	00-917472	Plate – Controller Mounting.....	1
19	WL-019-74	Lockwasher M8 Spring (SST).....	1
20	SC-121-57	Cap Screw M8 x 1.25 x 10mm Hex Socket Hd. (SST).....	1
21	FE-024-88	Lock Nut 1/2.....	1
22	FE-022-84	Relief – Electrical Strain.....	1
23	00-916909-00015	Cord – Plug Assy. (250 V.) (ML-134467).....	1
24	00-916909-00014	Cord – Plug Assy. (125 V.) (ML-134452).....	1
25	00-917830	Brace – Controller Plate.....	1
26	SD-039-50	Self-Tapping Screw M3.9 x 13 x 13mm Phil. Pan Hd. (SST).....	1
27	SD-039-50	Self-Tapping Screw M3.9 x 13 x 13mm Phil. Pan Hd. (SST).....	1
28	00-917764	Plate – Controller Mounting.....	1
29	00-916269	Block – Terminal 1/4 QC.....	1
30	WL-019-81	Lockwasher M4 (SST).....	2
31	SC-118-29	Mach. Screw M4 x 0.7 x 15mm Slotted Pan Hd. (SST).....	2
32	SC-128-14	Mach. Screw M4 x 0.7 x 14mm Phil. Pan Hd. ....	4

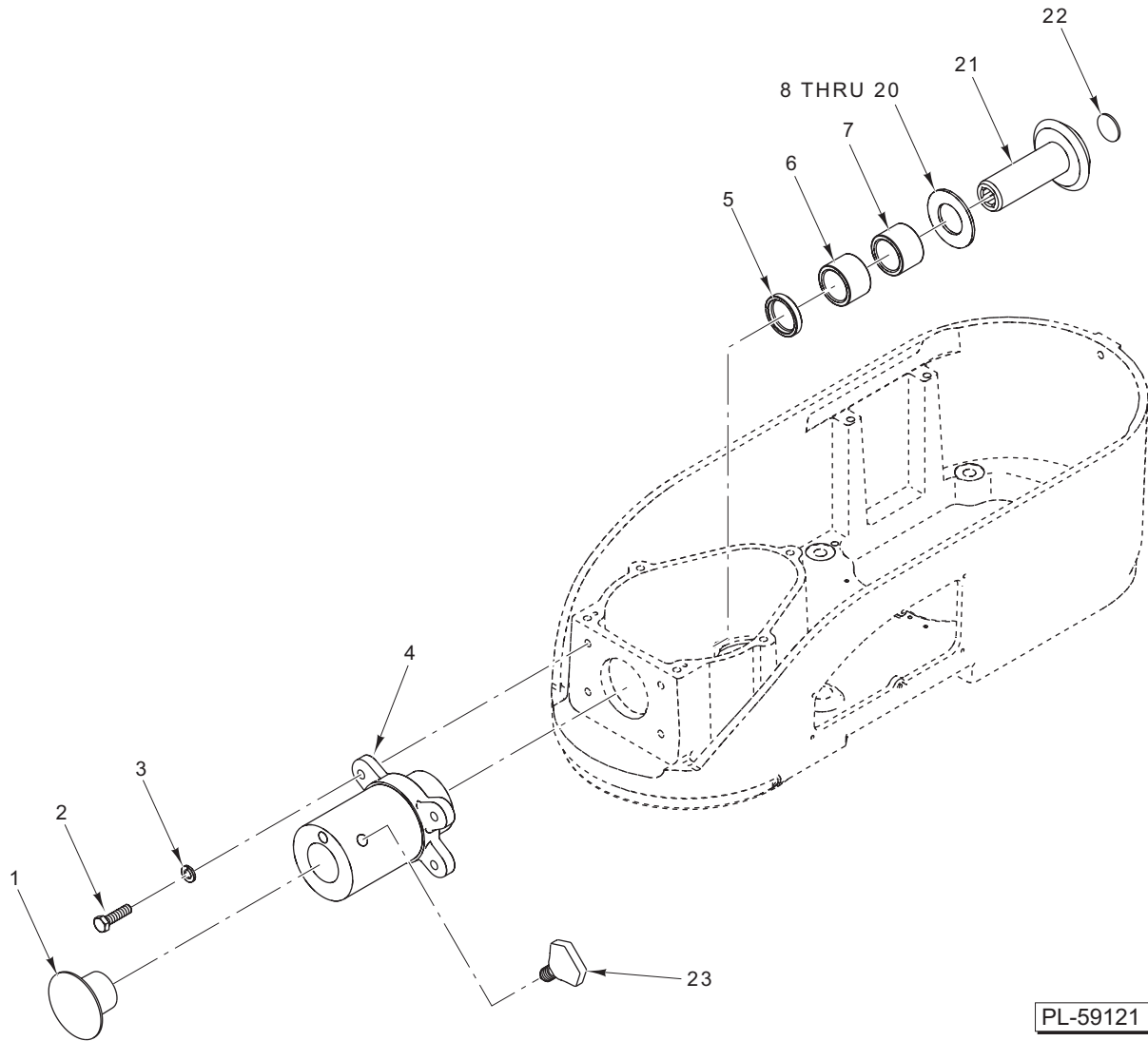


PL-59120

**ELECTRICAL COMPONENTS (ML-134469, ML-134470, ML-134472, & ML-141026)**

**ELECTRICAL COMPONENTS (ML-134469, ML-134470, ML-134472, & ML-141026)**

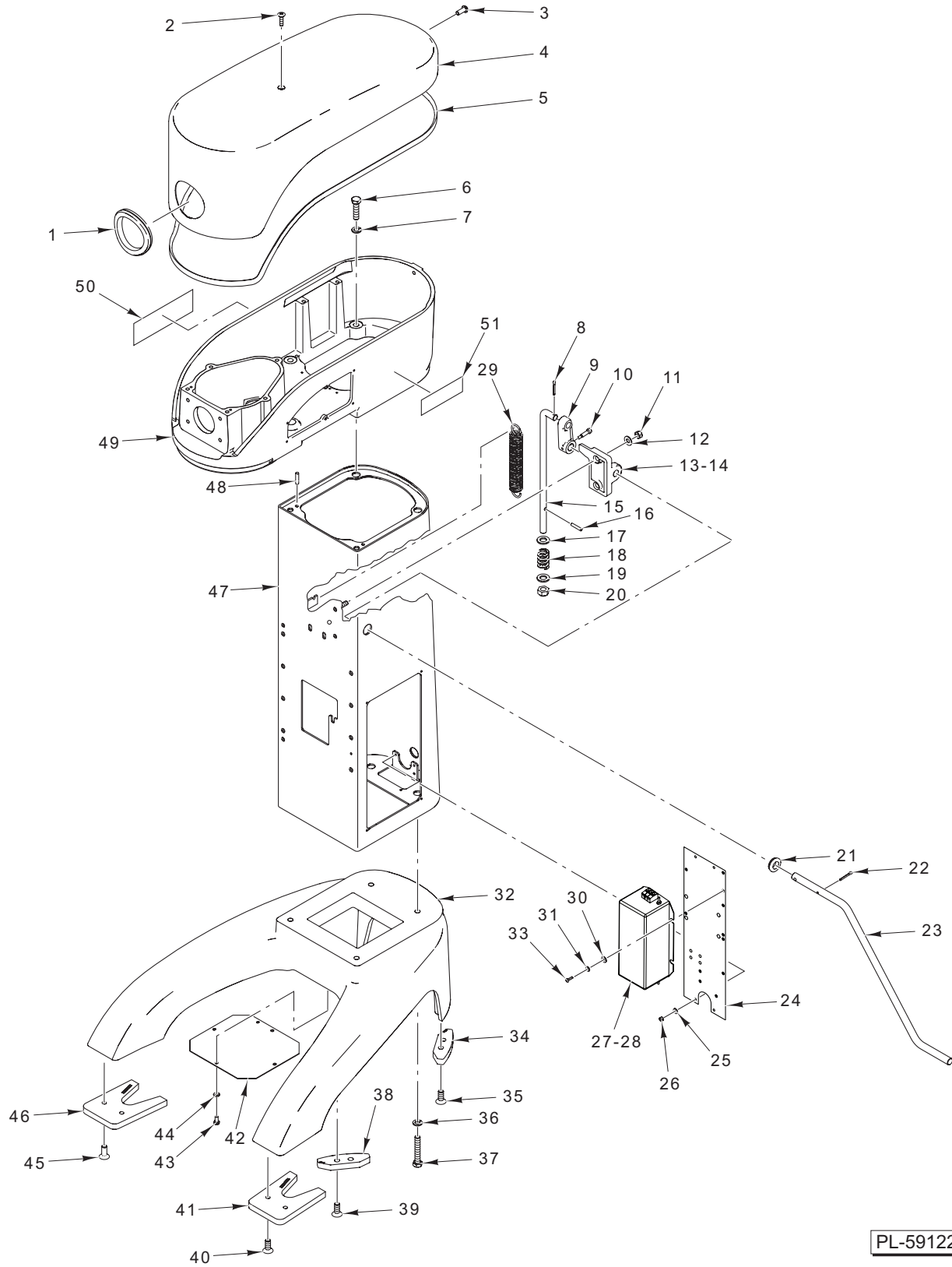
ILLUS.	PART NO.	NAME OF PART	AMT.
PL-59120			
1	SD-039-50	Self-Tapping Screw M3.9 x 13 x 13mm Phil. Pan Hd. (SST).....	1
2	00-917574	Plate – Controller Mounting .....	1
3	00-087714-020-3	Relay (3PDT) (240 V.).....	1
4	WL-019-81	Lockwasher M4 (SST) .....	2
5	SC-200-02	Mach. Screw M4 x 0.7 x 10mm Slotted Pan Hd. (SST).....	2
6	00-087714-042-3	Relay (2-Pole) (240 VAC Coil).....	1
7	WL-019-81	Lockwasher M4 (SST) .....	2
8	SC-200-02	Mach. Screw M4 x 0.7 x 10mm Slotted Pan Hd. (SST).....	2
9	00-916269	Block – Terminal 1/4 QC.....	1
10	WL-019-81	Lockwasher M4 (SST) .....	2
11	SC-118-29	Mach. Screw M4 x 0.7 x 15mm Slotted Pan Hd. (SST).....	2
12	00-917542-00001	Controller (400-460 V., 50-60 Hz., 3 Ph.) (ML-134469 & ML-134472) .....	1
13	00-917540-00001	Controller (200-240 V., 50-60 Hz., 1Ph.) (ML-134470).....	1
14	00-478217	Puller – Fuse (ML-134472) .....	3
15	00-294500-032-1	Transformer (50 VA) (ML-134469 & ML-134472) .....	1
16	00-477566	Cover – Transformer Type C (IEC) (ML-134472).....	2
17	FE-025-20	Fuse (600 V., 2 Amp.) (ML-134472).....	2
18	FE-025-58	Fuse (600 V., 3 Amp.) (ML-134472).....	1
19	WL-019-81	Lockwasher M4 (SST) .....	4
20	NS-047-24	Nut M4 x 0.7 Hex (Brass) .....	4
21	SD-039-50	Self-Tapping Screw M3.9 x 13 x 13mm Phil. Pan Hd. (SST).....	1
22	00-917472	Plate – Controller Mounting .....	1
23	WL-019-74	Lockwasher M8 Spring (SST).....	1
24	SC-121-57	Cap Screw M8 x 1.25 x 10mm Hex Socket Hd. (SST) .....	1
25	FE-024-88	Lock Nut 1/2 Elect. ....	1
26	FE-022-84	Relief – Electrical Strain.....	1
27	00-916909-00013	Cord – Plug Assy. (CE) (ML-134470).....	1
28	SD-039-49	Self-Tapping Screw M4 x 0.7 x 20mm Phil. Pan Hd., Type TT (ML-134472 & ML-141026) .....	2
29	00-477562-00002	Block – Terminal (ML-134472 & ML-141026) .....	1
30	00-917830	Brace – Controller Plate.....	1
31	SD-039-50	Self-Tapping Screw M3.9 x 13 x 13mm Phil. Pan Hd. (SST).....	1
32	00-916269	Block – Terminal 1/4 QC.....	1
33	WL-019-81	Lockwasher M4 (SST) .....	2
34	SC-118-29	Mach. Screw M4 x 0.7 x 15mm Slotted Pan Hd. (SST).....	2
35	SC-128-14	Mach. Screw M4 x 0.7 x 14mm Phil. Pan Hd. ....	4
36	00-917701	Timer – Delay Relay .....	1
37	SC-117-66	Mach. Screw M4 x 0.7 x 25mm Slotted Pan Hd. ....	1



**ATTACHMENT HUB**

**ATTACHMENT HUB**

ILLUS. PL-59121	PART NO.	NAME OF PART	AMT.
1	00-917322	Plug – Attachment (Black) .....	1
2	SC-130-77	Cap Screw M8 x 1.25 x 30mm Hex Hd.....	4
3	WL-019-74	Lockwasher M8 Spring (SST).....	4
4	00-917430	Hub – Attachment .....	1
5	00-917435	Seal – Attachment Hub .....	1
6	BN-002-04	Bearing – Needle 1 <sup>1</sup> / <sub>8</sub> .....	1
7	BN-002-04	Bearing – Needle 1 <sup>1</sup> / <sub>8</sub> .....	1
8	00-070045-00001	Washer – Thrust (0.125).....	AR
9	00-070045-00002	Washer – Thrust (0.119) .....	AR
10	00-070045-00003	Washer – Thrust (0.121).....	AR
11	00-070045-00004	Washer – Thrust (0.123).....	AR
12	00-070045-00005	Washer – Thrust (0.127).....	AR
13	00-070045-00006	Washer – Thrust (0.129).....	AR
14	00-070045-00007	Washer – Thrust (0.100).....	AR
15	00-070045-00008	Washer – Thrust (0.090).....	AR
16	00-070045-00009	Washer – Thrust (0.131).....	AR
17	00-070045-00010	Washer – Thrust (0.133).....	AR
18	00-070045-00011	Washer – Thrust (0.136).....	AR
19	00-070045-00012	Washer – Thrust (0.139).....	AR
20	00-070045-00013	Washer – Thrust (0.116).....	AR
21	00-070025	Gear – Attachment Drive .....	1
22	PL-003-17	Plug – Expansion.....	1
23	00-108197-00001	Screw – Thumb 1 <sup>1</sup> / <sub>8</sub> .....	1

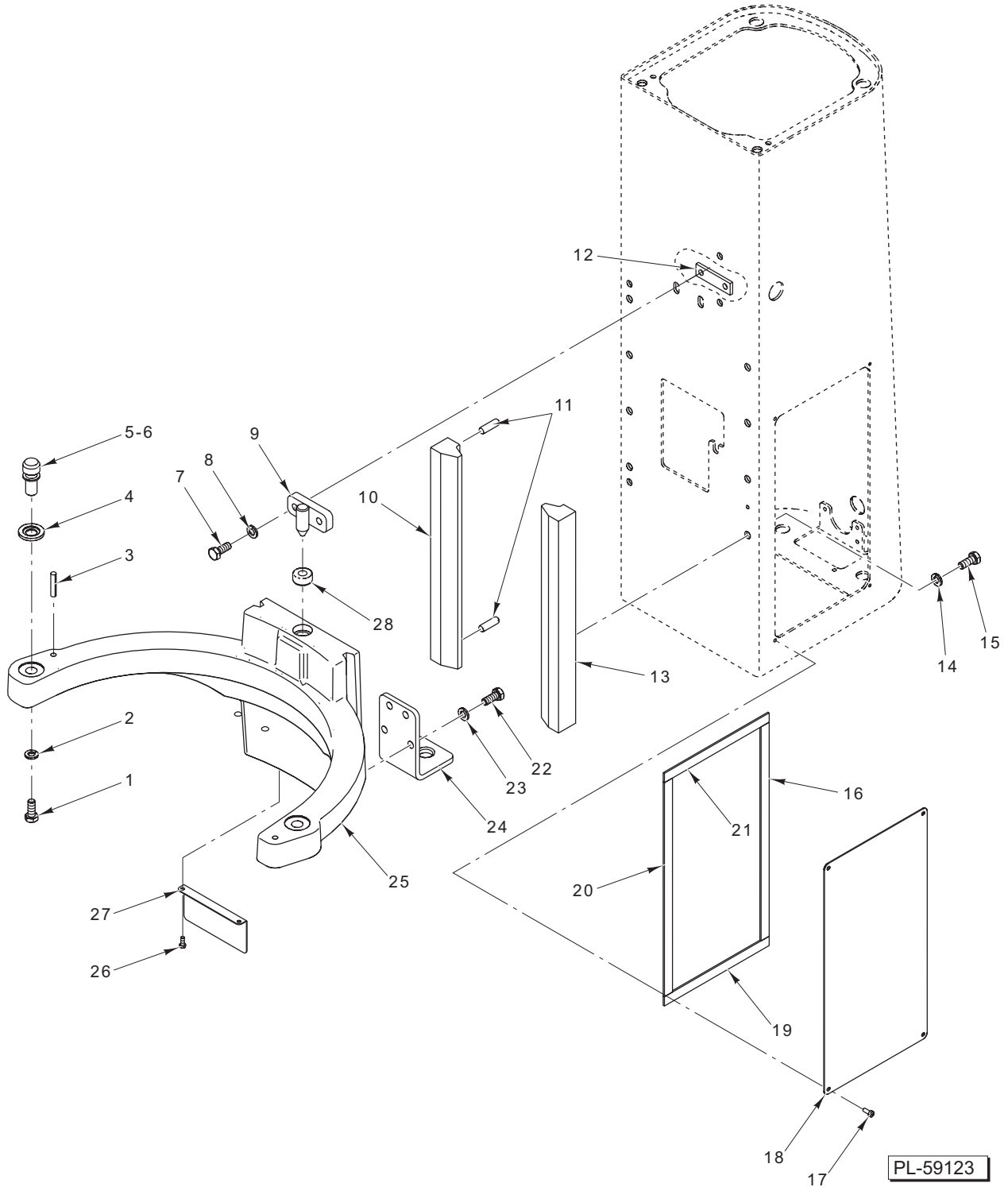


PL-59122

**BASE AND PEDESTAL**

**BASE AND PEDESTAL**

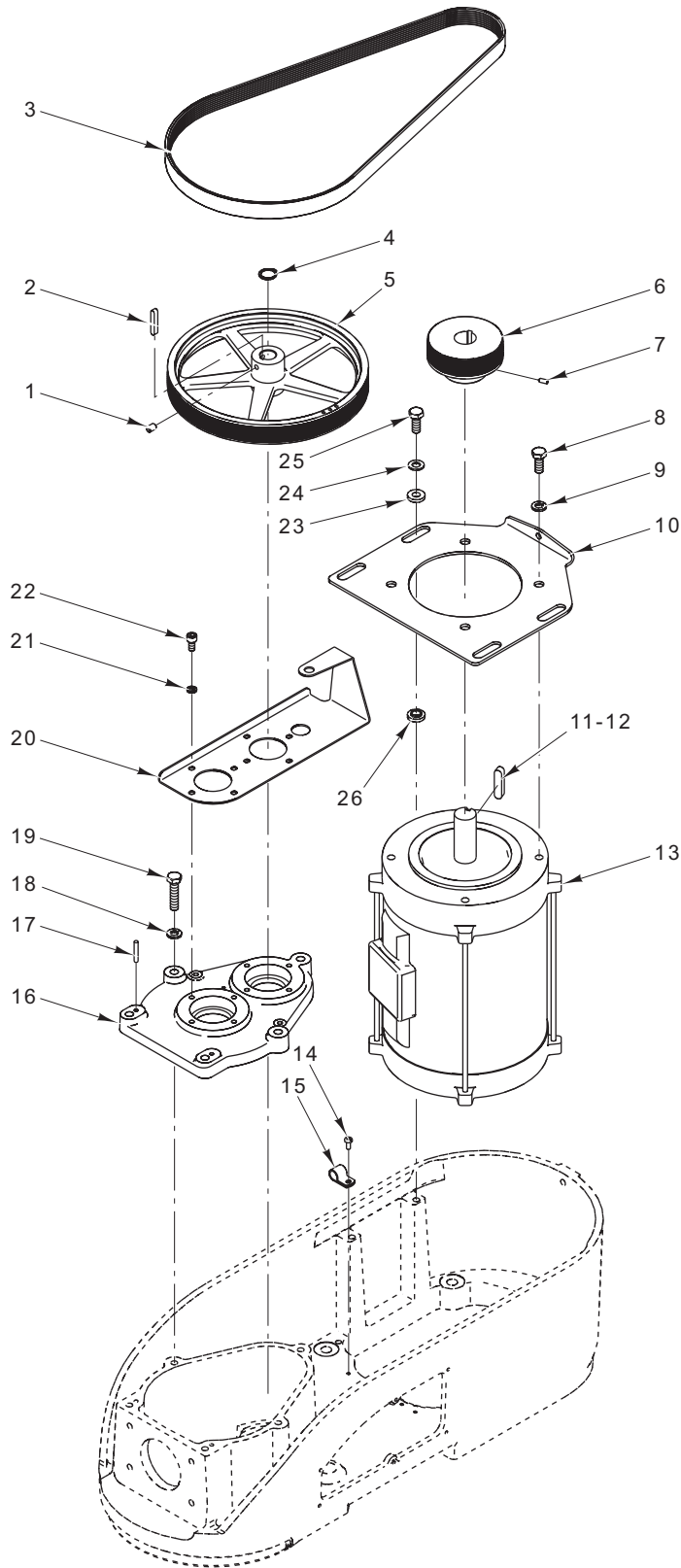
ILLUS.	PART NO.	NAME OF PART	AMT.
PL-59122			
1	00-917128	Grommet – Attachment Hub .....	1
2	SC-120-29	Mach. Screw 1/4-20 x 1 Phil Oval Hd.....	1
3	SC-130-88	Mach. Screw M8 x 1.25 x 20mm Phil. Button Hd. (SST).....	1
4	00-917118	Cover – Top (With Hub) .....	1
5	00-874925-00007	Seal – Neopreme.....	1
6	SC-124-61	Cap Screw M10 x 1.50 x 40mm Hex Hd.....	4
7	WL-019-89	Lockwasher M10 Spring (SST).....	4
8	PC-003-36	Pin – Cotter 3/32 .....	1
9	00-917375	Arm – Bowl Lift.....	1
10	SC-086-01	Shoulder Screw 10-24 x 3/4 Hex Socket Hd. ....	1
11	NS-013-14	Nut 5/16-18 Hex .....	2
12	WS-017-16	Washer.....	2
13	00-917612	Bearing – Bowl Lift.....	1
14	RP-006-46	Pin – Roll 6mm (ML-134472 & ML-141026) .....	1
15	00-917373	Rod – Bowl Lift .....	1
16	RP-006-48	Pin – Roll (5mm).....	1
17	WS-031-67	Washer.....	1
18	00-070104	Spring – Bowl Lift.....	1
19	WS-031-67	Washer.....	1
20	NS-049-24	Lock Nut M12 x 1.75 Hex .....	1
21	00-916876	Grommet.....	1
22	PC-003-36	Pin – Cotter 3/32 .....	1
23	00-917376	Handle – Bowl Lift.....	1
24	00-917575	Plate – Mounting (ML-134470, ML-134472, & ML-141026) .....	1
25	WL-020-01	Lockwasher M4 Helical.....	2
26	NS-047-24	Nut M4 x 0.7 Hex (Brass) .....	2
27	00-917695	Filter – Power Line (ML-134470) .....	1
28	00-917715	Filter – Power Line (230 V., 50 Hz., 3 Ph.) (ML-134472 & ML-141026) .....	1
29	00-916463	Spring – Bowl Lift.....	1
30	WS-031-59	Washer (ML-134472 & ML-141026) .....	4
31	WL-020-01	Lockwasher M4 Helical.....	4
32	00-917290	Base.....	1
33	SC-200-02	Mach. Screw M4 x 0.7 x 10mm Slotted Pan Hd. (SST).....	4
34	00-917166	Pad – Back .....	1
35	SC-130-86	Mach. Screw M10 x 1.5 x 25mm Hex Flat Hd. ....	2
36	WL-019-89	Lockwasher M10 Spring (SST).....	4
37	SC-127-78	Cap Screw M10 x 1.5 x 60mm Hex Hd.....	4
38	00-917166	Pad – Back .....	1
39	SC-130-86	Mach. Screw M10 x 1.5 x 25mm Hex Flat Hd. ....	2
40	SC-130-86	Mach. Screw M10 x 1.5 x 25mm Hex Flat Hd. ....	2
41	00-917391	Pad – Front (Right) .....	1
42	00-917691	Plate – Bottom Cover.....	1
43	SC-118-58	Cap Screw M6 x 1.0 x 12mm Hex Hd.....	4
44	WL-019-48	Lockwasher M6 Spring (SST).....	4
45	SC-130-86	Mach. Screw M10 x 1.5 x 25mm Hex Flat Hd. ....	2
46	00-917390	Pad – Front (Left).....	1
47	00-917288	Pedestal .....	1
48	00-917595-00002	Dowel.....	2
49	00-917292	Transmission – Mach.....	1
50	00-917277	Logo – Ecomax By Hobart (Large) .....	1
51	00-917343	Logo – Ecomax By Hobart (Small) .....	1



**BOWL SUPPORT**

**BOWL SUPPORT**

ILLUS.	PART NO.	NAME OF PART	AMT.
PL-59123			
1	SC-120-59	Cap Screw M8 x 1.25 x 20mm Hex Hd.....	2
2	WL-019-74	Lockwasher M8 Spring (SST).....	2
3	PG-011-44	Pin – Grooved (6mm) (ML-134452, ML-134467, & ML-134468).....	2
4	00-917180	Bushing – Bowl Support (ML-134452, ML-134466, ML-134467, ML-134468, ML-134469, & ML-134470).....	2
5	00-917388	Pin – Bowl Mounting (ML-134467 & ML-134468).....	2
6	00-917899	Pin – Bowl Mounting (ML-134470, ML-134472, & ML-141026).....	2
7	SC-120-59	Cap Screw M8 x 1.25 x 20mm Hex Hd.....	2
8	WL-019-74	Lockwasher M8 Spring (SST).....	2
9	00-917660	Pin – Weldment Latch.....	1
10	00-917299	Slideway – Bowl Lift.....	1
11	00-917595-00004	Dowel.....	2
12	00-917654	Retainer.....	1
13	00-917299	Slideway – Bowl Lift.....	1
14	WL-019-74	Lockwasher M8 Spring (SST).....	8
15	SC-120-59	Cap Screw M8 x 1.25 x 20mm Hex Hd.....	8
16	00-917986-00001	Seal – Side Cover.....	1
17	SC-120-61	Mach. Screw M4 x 0.7 x 10mm Slotted Cheese Hd. ....	4
18	00-917309	Cover.....	1
19	00-917986-00002	Seal – Side Cover.....	1
20	00-917986-00001	Seal – Side Cover.....	1
21	00-917986-00002	Seal – Side Cover.....	1
22	SC-120-59	Cap Screw M8 x 1.25 x 20mm Hex Hd.....	4
23	WL-019-74	Lockwasher M8 Spring (SST).....	4
24	00-917416	Bracket – Bowl Support Lift.....	1
25	00-917285	Support – Bowl Mach.....	1
26	SC-120-61	Mach. Screw M4 x 0.7 x 10mm Slotted Cheese Hd. ....	2
27	00-917673	Cover.....	1
28	00-917652	Rest – Bowl.....	1
	00-917808	Seal – Side Cover (ML-134452 & ML-134470).....	1

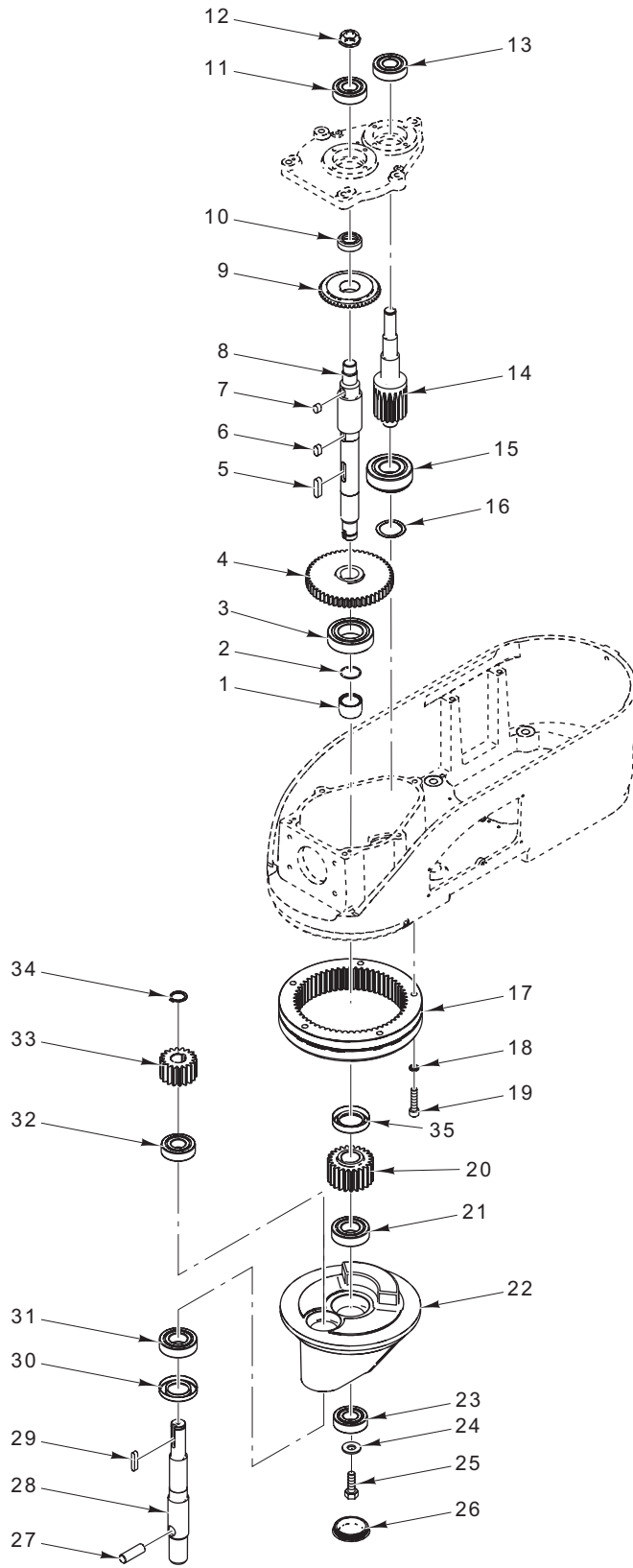


PL-59124

**TRANSMISSION CASE AND MOTOR**

**TRANSMISSION CASE AND MOTOR**

ILLUS.	PART NO.	NAME OF PART	AMT.
PL-59124			
1	SC-047-12	Set Screw 1/4-20 x 3/8 Hex Hdls. Cup Pt. ....	2
2	00-917496-00001	Key – Metric.....	1
3	00-917364	Belt – V Ribbed.....	1
4	RR-012-14	Ring – Retaining.....	1
5	00-917370	Pulley – Driven.....	1
6	00-917369	Pulley – Driver.....	1
7	SC-127-76	Set Screw M4 x 0.7 x 10mm Hex Hdls. Cone Pt. ....	1
8	SC-120-59	Cap Screw M8 x 1.25 x 20mm Hex Hd.....	4
9	WL-019-74	Lockwasher M8 Spring (SST).....	4
10	00-917366	Bracket – Motor Mounting.....	1
11	00-917496-00002	Key – Metric (ML-134470, ML-134472, & ML-141026) .....	1
12	00-012430-00066	Key (ML-134452, ML-134467, ML-134468, & ML-134469) .....	1
13	00-917680-00001	Motor (2.5 Hp., 200-400 V., 3 Ph.).....	1
14	SC-200-02	Mach. Screw M4 x 0.7 x 10mm Slotted Pan Hd. (SST).....	1
15	00-078752-00009	Clamp – Cable.....	1
16	00-917360	Cover – Transmission Top.....	1
17	00-917595-00005	Dowel.....	2
18	WL-019-74	Lockwasher M8 Spring (SST).....	5
19	SC-130-78	Cap Screw M8 x 1.25 x 35mm Hex Socket Hd.....	5
20	00-917624	Retainer – Top Bearing.....	1
21	WL-020-12	Lockwasher M6 Spring.....	8
22	SC-117-25	Cap Screw M6 x 1.0 x 12mm Hex Socket Hd.....	8
23	00-917410	Isolator.....	4
24	WS-030-44	Washer (SST).....	4
25	SC-120-59	Cap Screw M8 x 1.25 x 20mm Hex Hd.....	4
26	00-917410	Isolator.....	4

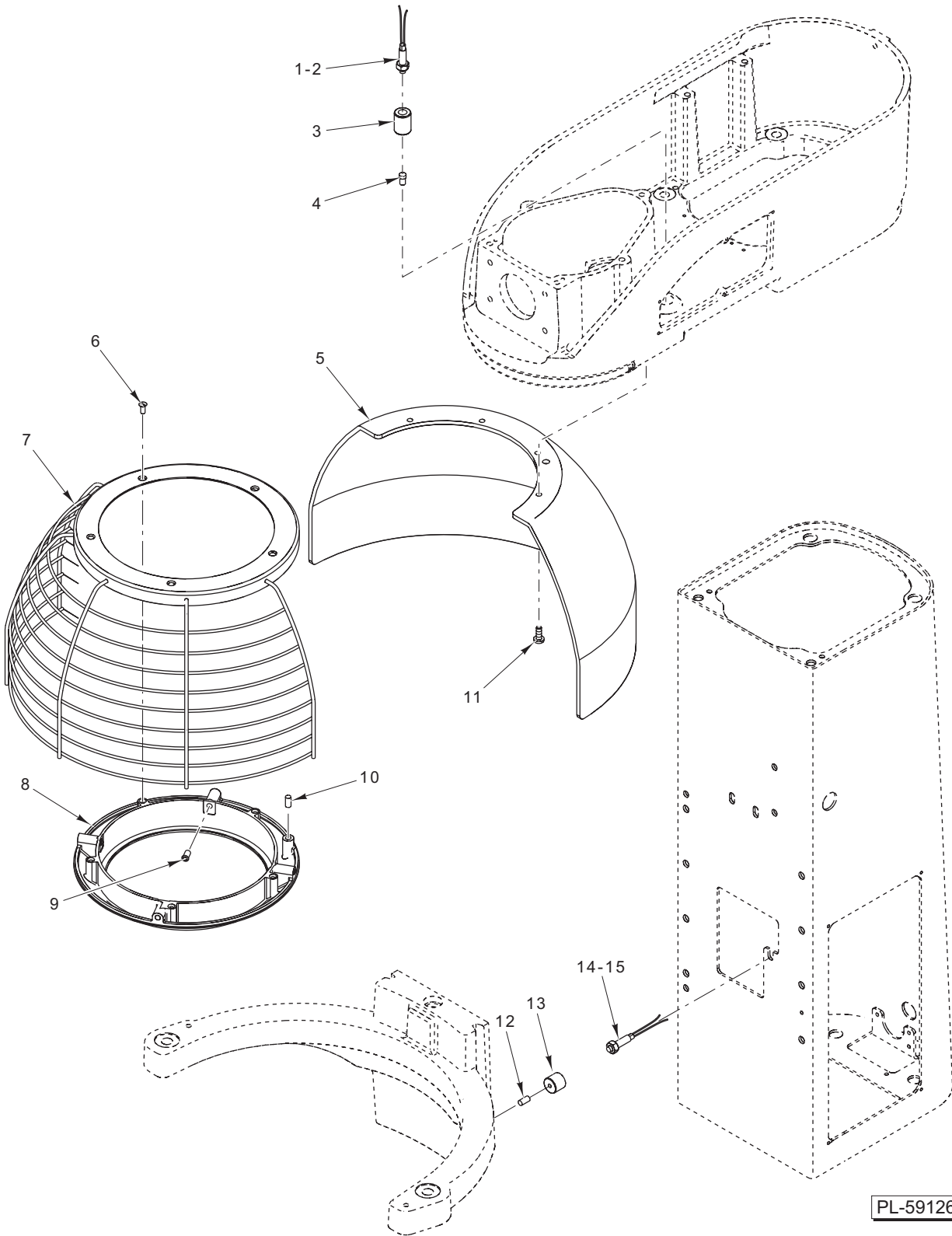


PL-59125

**TRANSMISSION**

**TRANSMISSION**

ILLUS.	PART NO.	NAME OF PART	AMT.
PL-59125			
1	00-916663	Spacer – Planetary-Lower .....	1
2	00-067500-00068	O-Ring .....	1
3	BB-015-08	Bearing – Ball .....	1
4	00-917498	Gear – Helical .....	1
5	00-917496-00006	Key – Metric .....	1
6	00-917496-00005	Key – Metric .....	1
7	00-917496-00003	Key – Metric .....	1
8	00-917356	Shaft – Sun .....	1
9	00-070020-00002	Gear – Bevel .....	1
10	00-917368	Spacer – Planetary-Upper .....	1
11	BB-005-34	Bearing – Ball .....	1
12	NS-032-32	Lock Nut <sup>3</sup> / <sub>4</sub> -16 (LH) .....	1
13	BB-020-06	Bearing – Ball .....	1
14	00-917361	Shaft – Worm Gear .....	1
15	BB-020-06	Bearing – Ball .....	1
16	SL-005-04	Spring – Loading .....	1
17	00-917405	Gear – Internal .....	1
18	WL-020-13	Lockwasher M8 Spring .....	5
19	SC-117-19	Cap Screw M8 x 1.25 x 30mm Hex Socket Hd .....	5
20	00-477413	Gear – Sun .....	1
21	BB-007-52	Bearing – Ball .....	1
22	00-477407-00002	Planetary .....	1
23	BB-005-46	Bearing – Ball .....	1
24	WS-030-04	Washer .....	1
25	SC-118-58	Cap Screw M6 x 1.0 x 12mm Hex Hd .....	1
26	00-917690	Plug – Planetary .....	1
27	00-070019	Pin – Agitator .....	1
28	00-477441	Shaft – Agitator (Incls. Item 27) .....	1
29	00-917496-00004	Key – Metric .....	1
30	00-110335	Seal – Agitator Shaft .....	1
31	BB-007-52	Bearing – Ball .....	1
32	BB-005-46	Bearing – Ball .....	1
33	00-477412	Gear – Planetary Beater .....	1
34	RR-012-06	Ring – Retaining .....	1
35	00-110334	Seal – Planetary .....	1

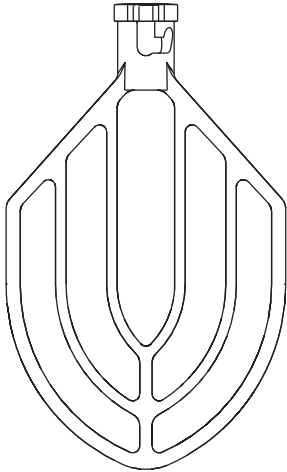


PL-59126

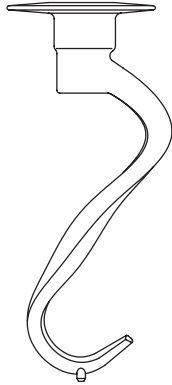
**BOWL GUARD AND HEIGHT SENSOR**

**BOWL GUARD AND HEIGHT SENSOR**

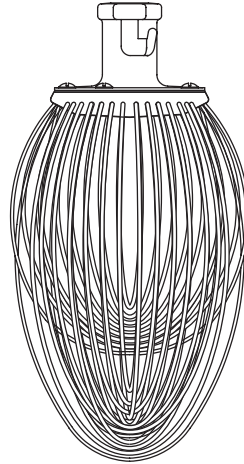
ILLUS.	PART NO.	NAME OF PART	AMT.
PL-59126			
1	00-916902-00003	Switch – Reed.....	1
2	00-916902-00004	Switch – Reed Fused Assy. (ML-134470, ML-134472, & ML-141026).....	1
3	00-917184	Holder – Reed Switch.....	1
4	00-917449	Pin – Magnet Bridge.....	1
5	00-917297	Guard – Rear Splash.....	1
6	SC-117-77	Mach. Screw M5 x 0.8 x 12mm Slotted Flat Hd. (SST).....	5
7	00-917338	Cage Assy. (Incls. Items 6 thru 10).....	1
8	00-917372	Ring – Drip.....	1
9	00-917056	Plunger – Ball.....	4
10	00-917185	Magnet.....	1
11	SC-130-49	Mach. Screw M6 x 1.0 x 16mm Slotted Pan Hd. (SST).....	4
12	00-917185	Magnet.....	1
13	00-917186	Holder – Magnet.....	1
14	00-916902-00003	Switch – Reed.....	1
15	00-916902-00004	Switch – Reed Fused Assy. (ML-134470, ML-134472, & ML-141026).....	1



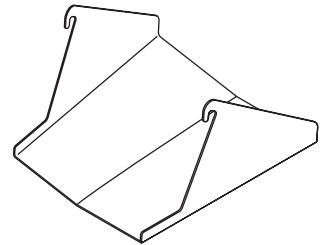
1-2



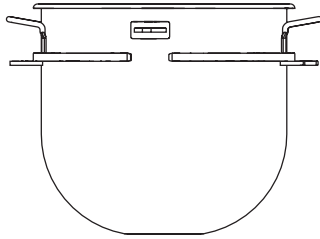
3-4



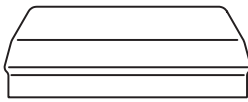
5-6



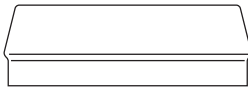
7



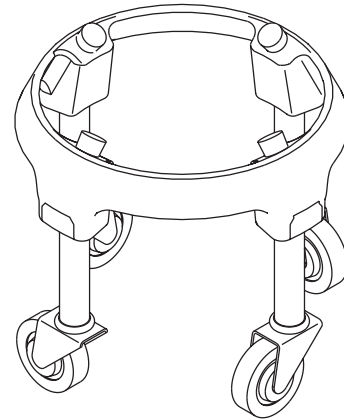
8-9



10



11



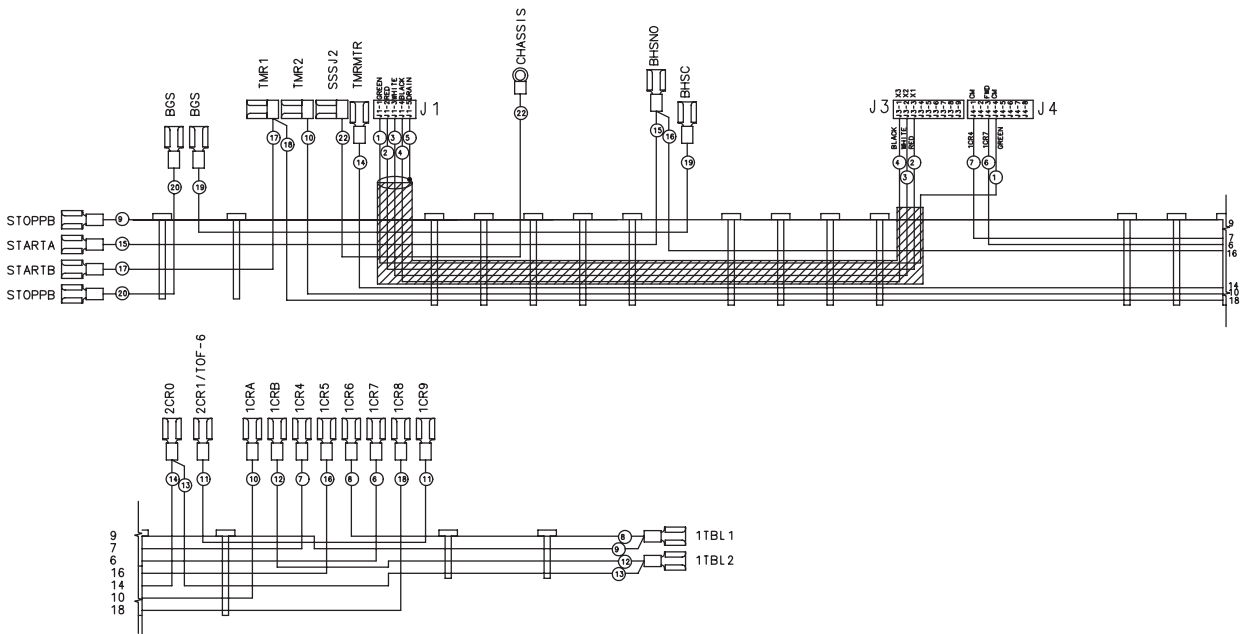
12

PL-59127

### AGITATORS AND ACCESSORIES

**AGITATORS AND ACCESSORIES**

ILLUS.	PART NO.	NAME OF PART	AMT.
PL-59127			
1	00-917964	"B" Beater (30 Qt.) (Packaged).....	1
2	00-917970	"B" Beater (20 Qt.) (Packaged).....	1
3	00-917966	Dough Hook (30 Qt.) (Packaged).....	1
4	00-917972	Dough Arm (20 Qt.) (Packaged).....	1
5	00-917971	Wire Whip (Packaged) (20 Qt.).....	1
6	00-917965	Wire Whip (Packaged) (30 Qt.).....	1
7	00-917967	Ingredient Chute (Packaged) (30 Qt.) (SST) .....	1
8	00-917969	Bowl Assy (Packaged) (20 Qt.).....	1
9	00-917963	Bowl Assy. (30 Qt.) (SST) .....	1
10	00-917760	Splash Cover (Packaged) (20 Qt.).....	1
11	00-917968	Splash Cover (Packaged) (30 Qt.).....	1
12	00-916883	Dolly – Bowl (30 Qt.) (Packaged) .....	1



00-917594 Harness - Main

PL-59128

WIRING HARNESS