

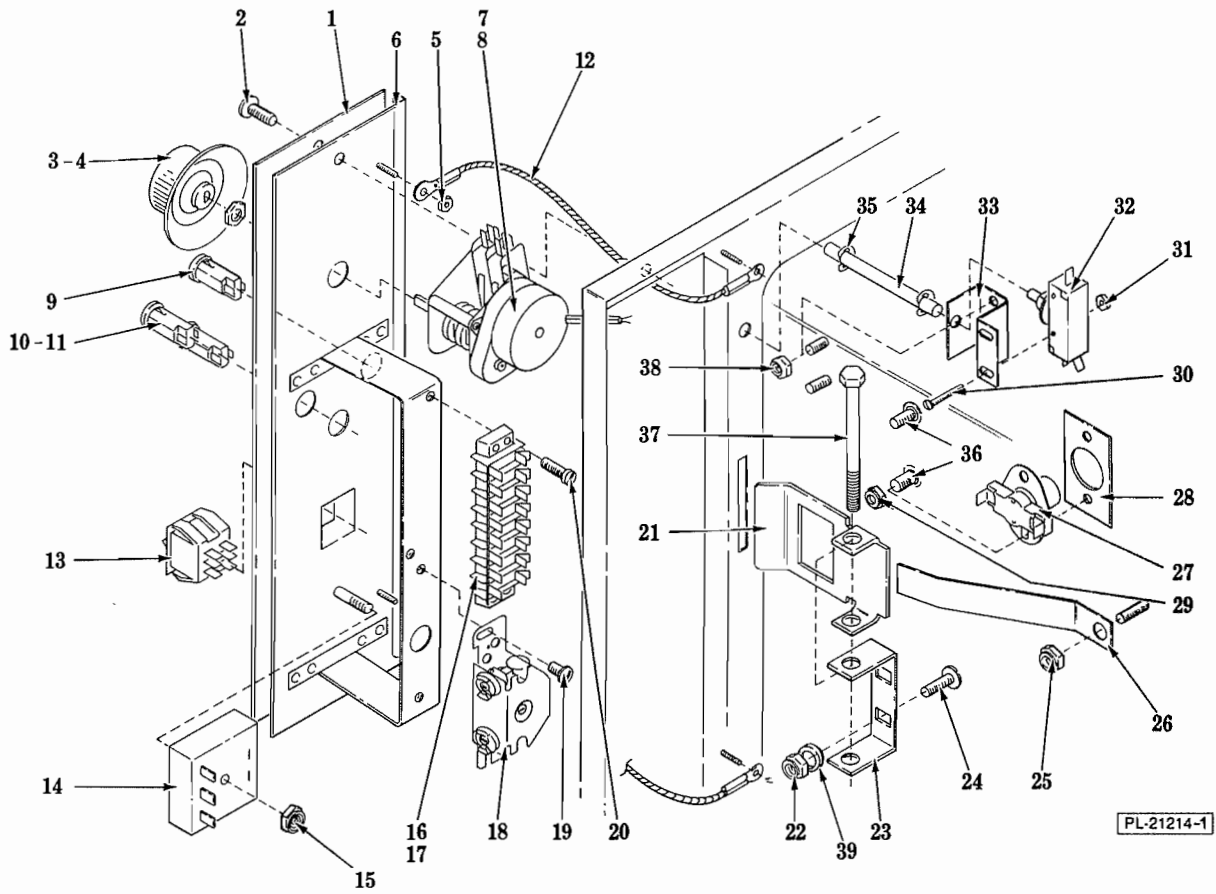
HOBART

CATALOG OF REPLACEMENT PARTS



ES5 ELECTRIC STEAMER

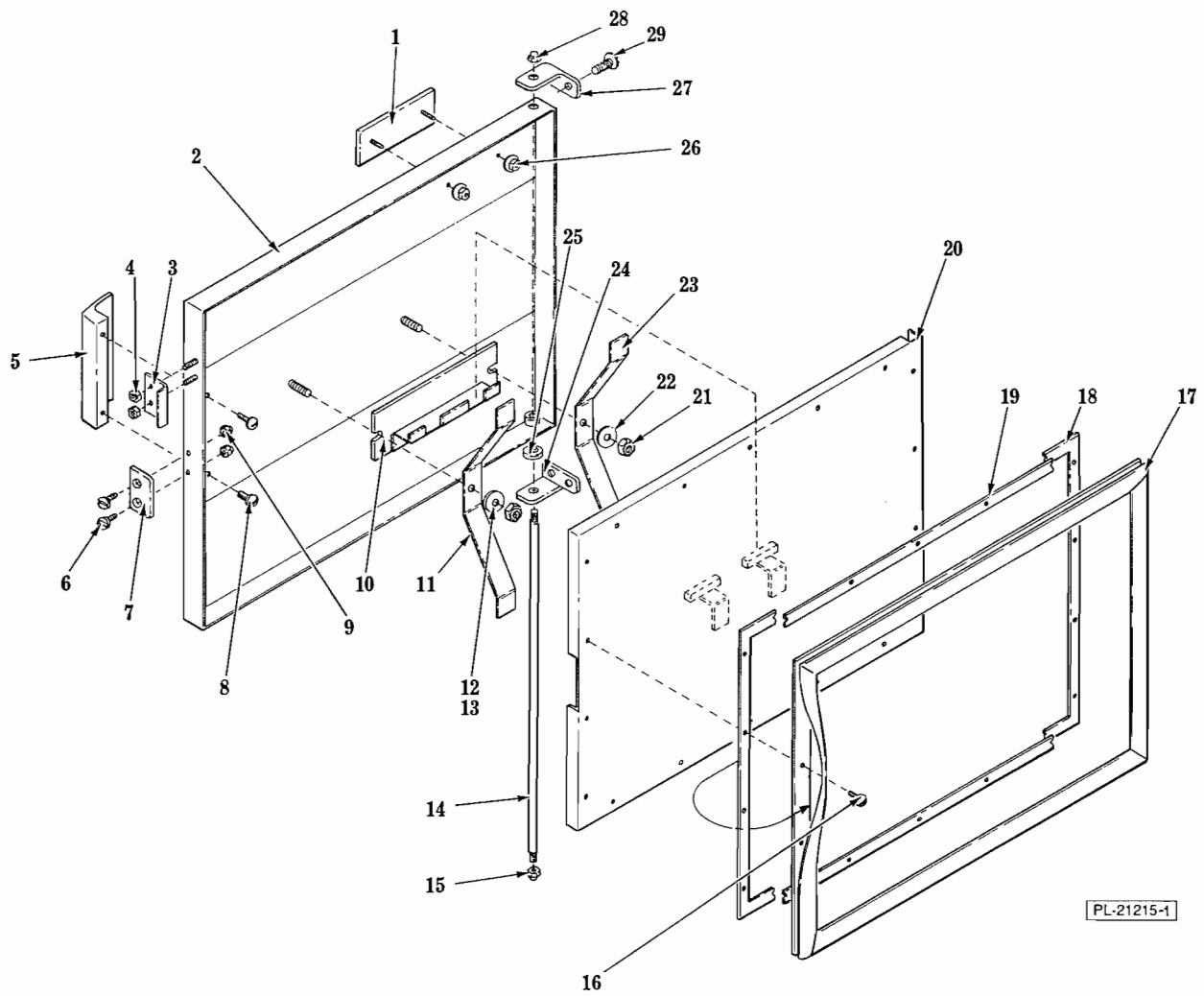
ML-38879



TIMER CONTROL PANEL, DOOR LATCH & SWITCHES

TIMER CONTROL PANEL, DOOR LATCH & SWITCHES

ILLUS. PL-21214-1	PART NO.	NAME OF PART ³⁵	AMT.
1	187097	Escutcheon - Control Panel	1
2	SC-53-2	Mach. Screw 10-24 x 1/2 Truss Hd	2
3	187017	Knob - Timer (60 Min., 60 Hz.)	1
4	187064	Knob - Timer (15 Min., 60 Hz.)	1
5	NS-9-21	Mach. Nut 10-24 Hex	2
6	817803	Panel - Compartment Control	1
7	817217	Timer - 15 Minute	1
8	881601	Timer - 60 Minutes	1
9	817193-4	Light - Control Panel (White)	1
10	817193-2	Light - Control Panel (Green)	1
11	817193-3	Light - Control Panel (Amber)	1
12	817348	Cable Assy.	2
13	881579	Switch - Lighted (On/Off)	1
14	817196	Timer - Solid State Control	1
15	NS-47-86	Stop Nut - Special 1/4-20 Hex	1
16	881605	Strip - Terminal	1
17	881721	Strip - Terminal Marking	1
18	880009	Buzzer	1
19	SC-93-3	Mach. Screw 8-32 x 3/8 Pan Hd	2
20	SC-119-53	Mach. Screw 8-32 x 3/4 Pan Hd.	2
21	817039	Plate - Door Retainer	1
22	NS-31-21	Stop Nut - Special 1/4-20 Hex	2
23	817036-1	Bracket - Door Latch	1
24	SC-53-41	Mach. Screw 1/4-20 x 1/2 Truss Hd	2
25	NS-31-21	Stop Nut - Special 1/4-20 Hex	1
26	817184	Spring - Door Latch	1
27	817195	Thermostat - Compartment	1
28	817066	Gasket - Thermostat	1
29	NS-31-15	Stop Nut - Special 10-24 Hex	2
30	SC-119-51	Mach. Screw 6-32 x 1 Pan Hd	2
31	NS-11-7	Mach. Nut 6-32 Hex	2
32	842049	Switch - Door	1
33	817182	Bracket - Door Switch	1
34	817180	Rod - Actuator	1
35	907248-8	Ring - Retaining	2
36	SC-53-5	Mach. Screw 10-24 x 3/8 Truss Hd	2
37	SC-119-34	Cap Screw 5/16-18 x 3/4 Hex Hd.	1
38	NS-31-15	Stop Nut - Special 10-24 Hex	2
39	WS-17-6	Washer	2
	187074-1	Panel - Timer (60 Min., 60 Hz.) (Incls. items 1, 3, 5, 6 & 8 thru 20)	1
	187074-2	Panel - Timer (15 Min., 60 Hz.) (Incls. items 1, 4 thru 7 & 9 thru 20)	1

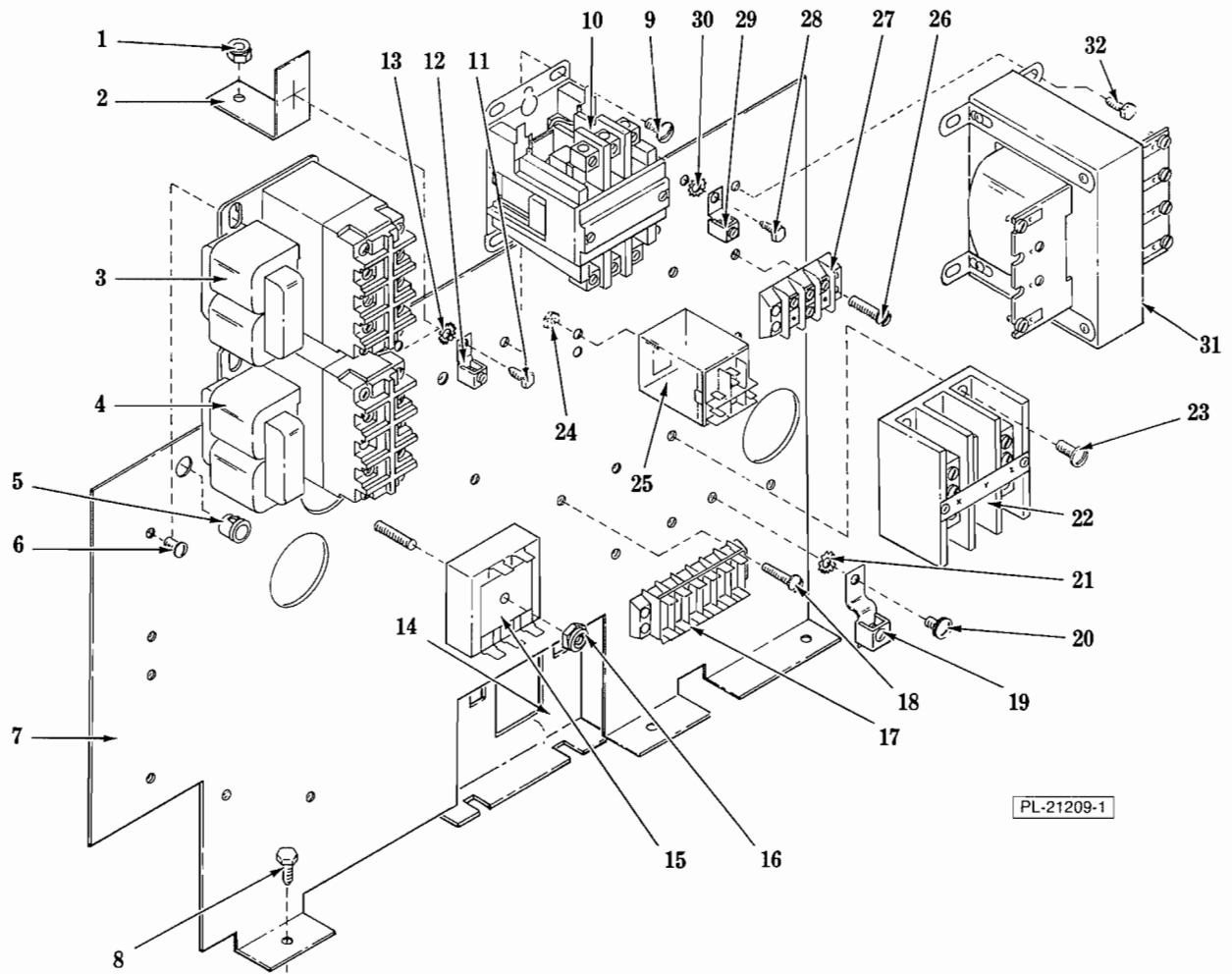


PL-21215-1

COMPARTMENT DOOR

COMPARTMENT DOOR

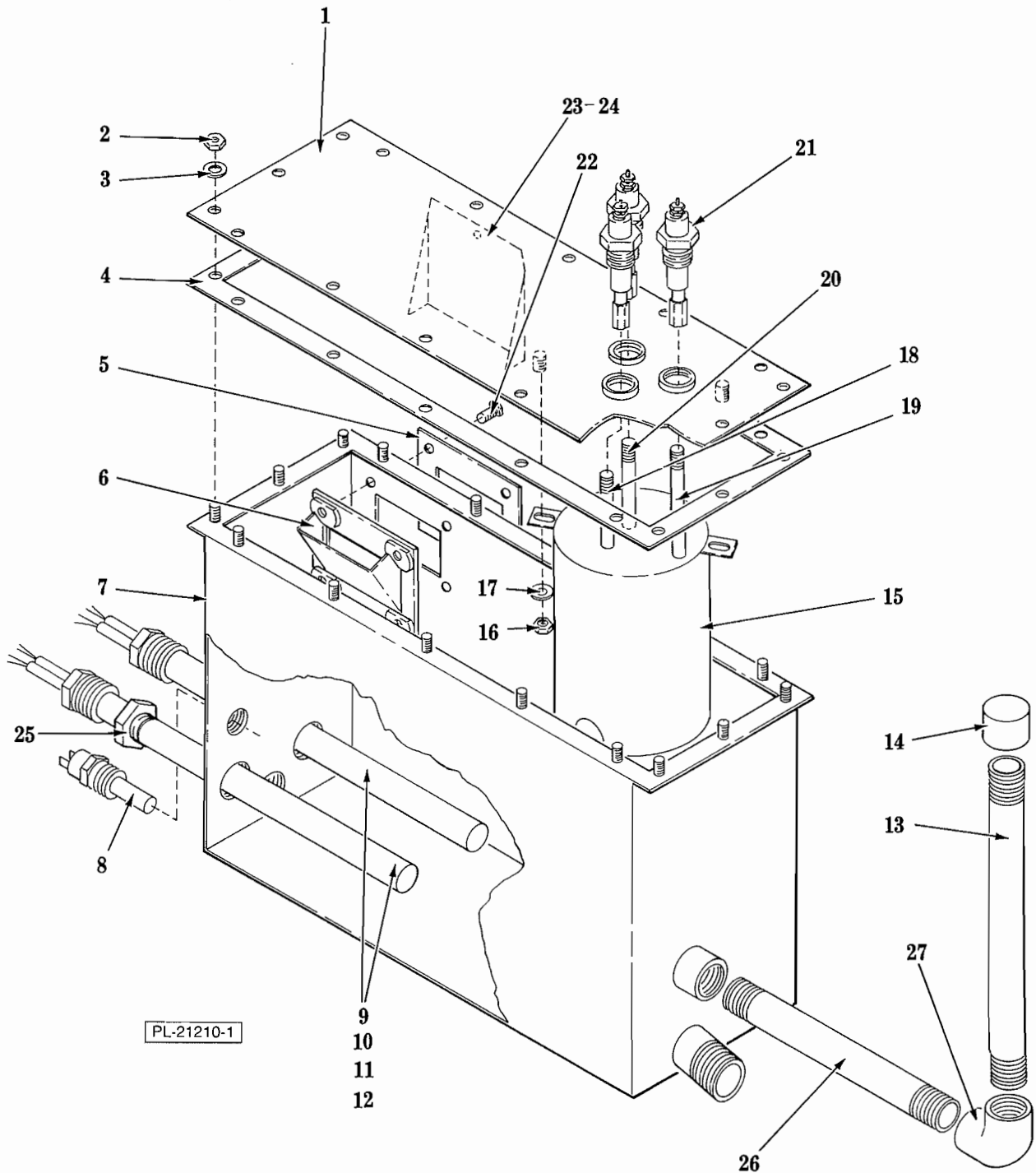
ILLUS. PL-21215-1	PART NO.	NAME OF PART ³⁵	AMT.
1	209000	Nameplate	1
2	187041	Door - Compartment	1
3	817096	Actuator - Door Switch	1
4	NS-31-15	Stop Nut - Special 10-24 Hex	2
5	920180	Handle	1
6	SC-22-17	Mach. Screw 10-24 × 3/8 Flat Hd	2
7	817035	Plate - Door Strike	1
8	SC-93-3	Mach. Screw 8-32 × 3/8 Pan Hd	2
9	NS-31-15	Stop Nut - Special 10-24 Hex	2
10	817030	Plate - Door	1
11	817126	Spring - Door	1
12	WS-17-6	Washer	1
13	NS-31-21	Stop Nut - Special 1/4-20 Hex	1
14	817122	Rod - Door Hinge	1
15	NS-24-26	Crown Nut 10-24	1
16	SC-53-5	Mach. Screw 10-24 × 3/8 Truss Hd	18
17	817094	Gasket - Door	1
18	817095-2	Retainer - Door Gasket (Sides)	2
19	817095-1	Retainer - Door Gasket (Top & Bottom)	2
20	817034	Door - Inner	1
21	NS-31-21	Stop Nut - Special 1/4-20 Hex	1
22	WS-17-6	Washer	1
23	817126	Spring - Door	1
24	817040-1	Hinge - Lower Door	1
25	833211	Lock Washer	1
26	206177	Clip - Nameplate	2
27	817040-2	Hinge - Upper Door	1
28	NS-24-26	Crown Nut 10-24	1
29	SC-53-2	Mach. Screw 10-24 × 1/2 Truss Hd	4



REAR CONTROL PANEL

REAR CONTROL PANEL

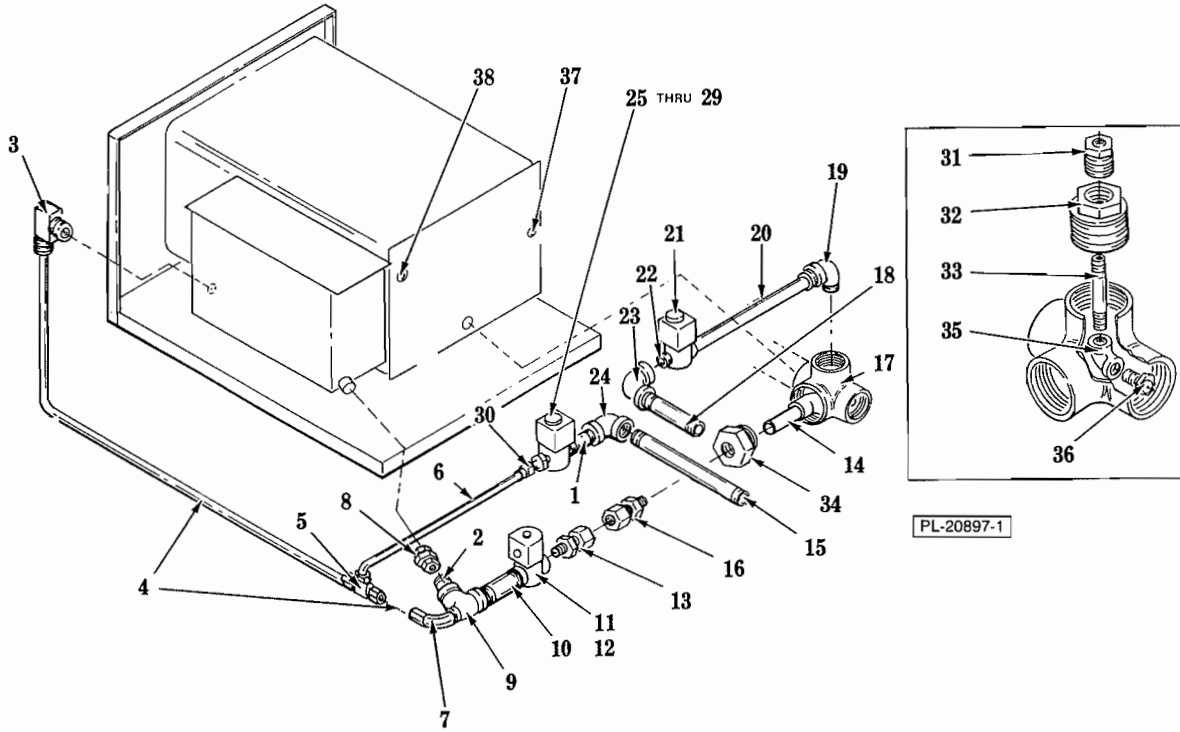
ILLUS. PL-21209-1	PART NO.	NAME OF PART ³⁵	AMT.
1	NS-31-21	Stop Nut - Special 1/4-20 Hex	2
2	817239	Bracket	2
3	817234-1	Control - Level (Differential)	1
4	817234-1	Control - Level (Low)	1
5	FE-22-50	Bushing - Electrical	1
6	SC-66-2	Mach. Screw 6-32 x 3/8 Truss Hd	6
7	817238-2	Panel - Control Mounting	1
8	SD-36-58	Self-Tapping Screw 10-16 x 1/2 Hex Washer Hd., Type AB	2
9	SC-53-5	Mach. Screw 10-24 x 3/8 Truss Hd	3
10	881654	Contact	1
11	SD-36-58	Self-Tapping Screw 10-16 x 1/2 Hex Washer Hd., Type AB	1
12	FE-23-87	Lug - Grounding	1
13	WL-14-7	Lock Washer 10 Ext. Shakeproof	1
14	817062	Clip - Compartment	1
15	817488	Timer - Flush	1
16	NS-31-21	Stop Nut - Special 1/4-20 Hex	1
17	881604	Strip - Terminal	1
18	SC-93-3	Mach. Screw 8-32 x 3/8 Pan Hd	2
19	FE-23-88	Lug - Grounding	1
20	SC-53-5	Mach. Screw 10-24 x 3/8 Truss Hd	1
21	WL-14-7	Lock Washer 10 Ext. Shakeproof	1
22	805726	Block - Terminal	1
23	SC-53-2	Mach. Screw 10-24 x 1/2 Truss Hd	4
24	NS-11-7	Mach. Nut 6-32 Hex	1
25	817221	Relay	1
26	SC-93-3	Mach. Screw 8-32 x 3/8 Pan Hd	2
27	920541	Strip - Terminal	1
28	SD-36-58	Self-Tapping Screw 10-16 x 1/2 Hex Washer Hd., Type AB	1
29	FE-23-87	Lug - Grounding	1
30	WL-14-7	Lock Washer 10 Ext. Shakeproof	1
31	833525	Transformer - Step Down	1
32	SC-53-2	Mach. Screw 10-24 x 1/2 Truss Hd	4



STEAM GENERATOR ASSY.
(5, 7.5 OR 10 KW)

**STEAM GENERATOR ASSY.
(5, 7.5 OR 10 KW)**

ILLUS. PL-21210-1	PART NO.	NAME OF PART ³⁵	AMT.
1	817061	Cover	1
2	NS-11-18	Mach. Nut 10-24 Hex	16
3	WL-14-7	Lock Washer 10 Ext. Shakeproof	16
4	817064	Gasket - Boiler Top	1
5	817065	Gasket - Steam Generator Compartment	1
6	817140	Diverter - Inside	1
7	817655	Boiler - Compartment	1
8	817194	Thermostat - Boiler Hold	1
9	817214	Element - Heating (2.5 KW, 208 V.)	AR
10	817214-1	Element - Heating (2.5 KW, 240 V.)	AR
11	817214-3	Element - Heating (5 KW, 208 V.)	AR
12	817214-4	Element - Heating (5 KW, 240 V.)	AR
13	FP-54-37	Pipe Nipple 1/2 x 4 1/2	1
14	FP-83-94	Pipe Cap 1/2	1
15	817148	Guard - Control	1
16	NS-11-18	Mach. Nut 10-24 Hex	2
17	WL-14-7	Lock Washer 10 Ext. Shakeproof	2
18	817477-1	Extension - Water Level Control Probe (1 13/16" Lg.)	1
19	817477-2	Extension - Water Level Control Probe (2 9/16" Lg.)	1
20	817477-3	Extension - Water Level Control Probe (3 3/16" Lg.)	1
21	817233	Probe - Water Level Control	3
22	SC-53-41	Mach. Screw 1/4-20 x 1/2 Truss Hd	4
23	817158	Plate - Outside Diverter	1
24	NS-31-15	Stop Nut - Special 10-24 Hex	1
25	FP-27-22	Bushing - Reducing 3/4 to 1/2	2
26	FP-82-11	Pipe Nipple 1/2 x 7	1
27	FP-83-68	Elbow 90° x 1/2	1



PL-20897-1

PIPING ASSY.

PIPING ASSY.

ILLUS. PL-20897-1	PART NO.	NAME OF PART ³¹	AMT.
1	FP-40-8	Nipple 1/4 x 7/8	1
2	FP-84-99	Nipple 3/4 x 1 1/4	1
3	FP-47-24	Elbow 90° x 1/4 Tube x 1/4 Pipe	1
4	881058	Tubing - Copper 1/4	AR
5	FP-81-74	Tee 1/4 Tube	1
6	881058	Tubing - Copper 1/4	AR
7	FP-84-62	Elbow 90° x 3/8 Pipe to 1/4 Tube	1
8	FP-22-18	Union 3/4	1
9	FP-83-89	Tee 3/4 x 3/8 x 3/4 Reducing	1
10	FP-84-99	Nipple 3/4 x 1 1/4	1
11	817494	Solenoid - Drain 3/4 NPT	1
12	FE-16-2	Bushing - Snap "Heyco"	1
13	817497	Connector Male (3/4 Pipe to 5/8 Tube)	1
14	817496	Drain Tube Assy	1
15	FP-75-69	Nipple 1/4 x 4	1
16	817497	Connector - Male (3/4 Pipe to 5/8 Tube)	1
17	FP-20-14	Tee 1 1/4 Side Outlet	1
18	FP-81-97	Nipple 1/4 x 1 3/4	1
19	FP-15-6	Elbow 90° x 1/4 Pipe Street	1
20	FP-75-69	Nipple 1/4 x 4	1
21	817222	Valve - Cold Water Inlet Solenoid	1
22	FP-40-8	Nipple 1/4 x 7/8	1
23	FP-15-5	Elbow 90° x 1/4	1
24	FP-83-66	Elbow 90° x 1/4	1
25	817222	Valve - Hot Water Inlet Solenoid	1
26	817084	Bracket - Water Inlet Valve	1
27	NS-44-9	Lock Nut 10-24	2
28	SC-119-57	Mach. Screw 1/4-20 x 3/8 Pan Hd	2
29	SC-53-2	Mach. Screw 10-24 x 1/2 Truss Hd	2
30	FP-47-23	Connector - Male 1/4 Tube to 1/4 Pipe	1
31	817147	Adapter - Spray Nozzle	1
32	FP-84-11	Bushing 1 1/4 x 1/2 Reducing	1
33	FP-81-94	Nipple 1/8 x 1 7/8	1
34	FP-27-41	Bushing 1 1/4 x 3/4 Reducing	1
35	FP-83-65	Elbow 90° x 1/8	1
36	906273	Nozzle - Spray	1
37	FP-84-8	Plug 1/2	1
38	FP-84-8	Plug 1/2	1

MISCELLANEOUS

ILLUS. PL-21216	PART NO.	NAME OF PART ³⁵	AMT.
	817093	Leveler - Countertop	4
	817220	Guide - Shelf	2
	817646	Drain - Strainer	1
	817739	Back - Cabinet	1
	817656	Cover - Inlet Piping	1
	804405	Leg - With Adjustable Foot	4
	817077	Shell - Countertop	1
	817388-2	Tray - Drip	1
	817312	Angle - Stacking Support Weldment	1
	817388-1	Holder - Drip Tray	1
	817652	Bottom - Cabinet Weldment	1
	880589	Shelf - Sliding	1
	881525	Leg - W/6" Adjustable Foot	2
	881526	Leg - W/6" Adjustable Flange Foot	2
	881849-16	Panel - Rear	1
	881536	Panel - Side	2
	817240-1	Door - Left Base Assy	1