

ecomax™

by **HOBART**

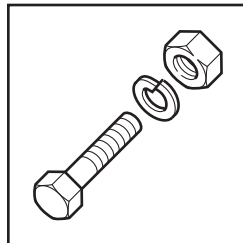


ES600
ES600
ES600CE

ML-141004
ML-141005
ML-141006

ES600CE
ES600CE
ES600AUS

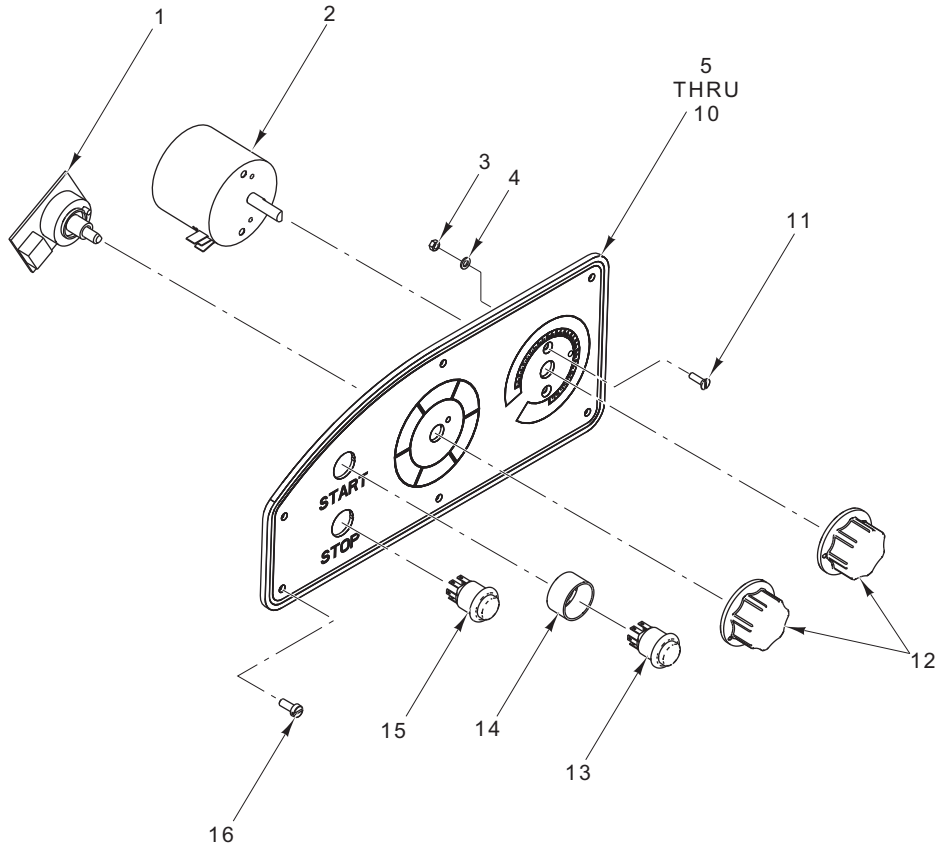
ML-141007
ML-141020
ML-141021



Spare Parts List

TABLE OF CONTENTS

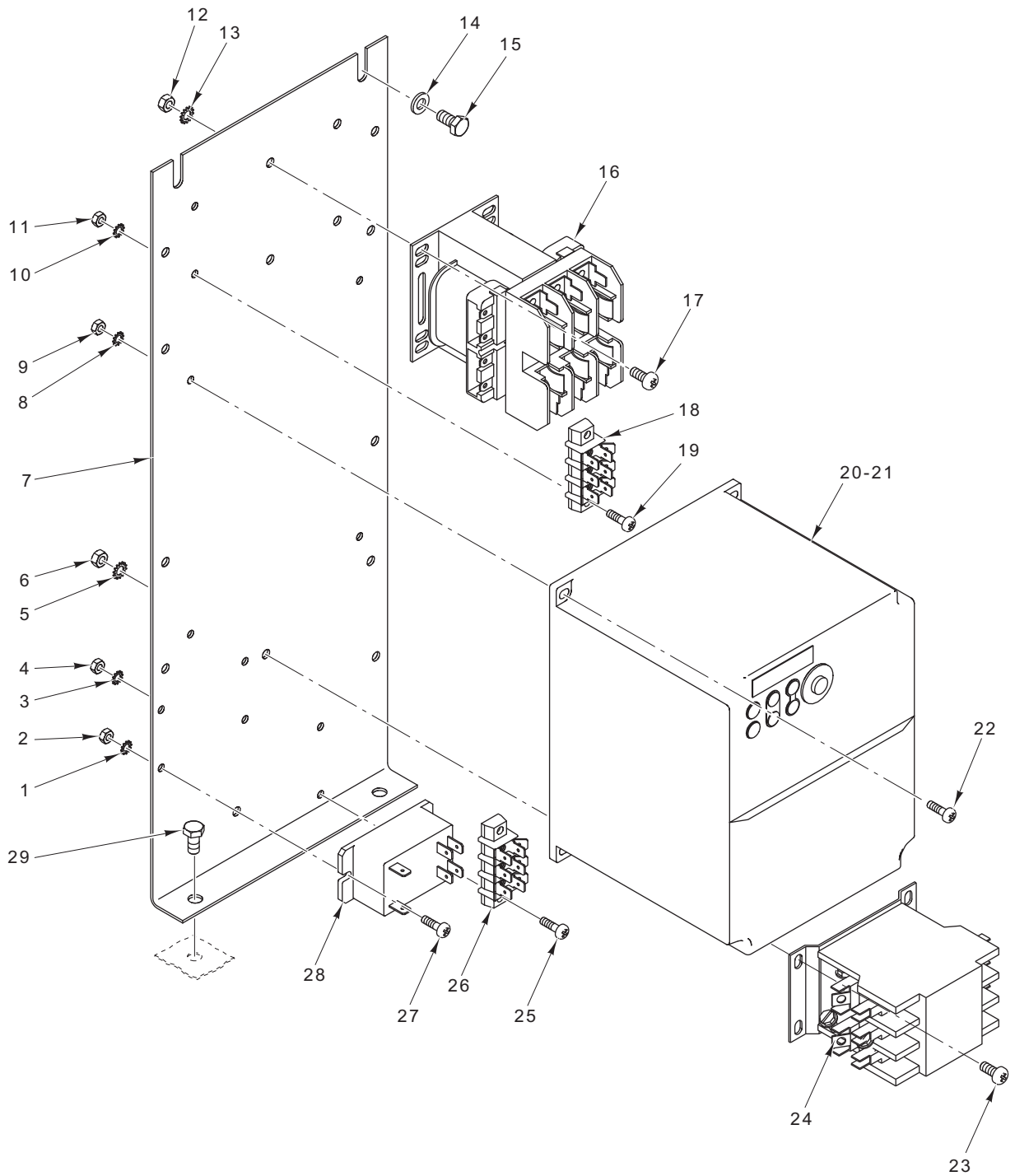
3	CONTROL PANEL
5	ELECTRICAL COMPONENTS (ML-141004 & ML-141005)
7	ELECTRICAL COMPONENTS (ML-141006, ML-141007, ML-141020, & ML-141021)
8	BASE AND PEDESTAL
11	BOWL SUPPORT
13	TRANSMISSION CASE AND MOTOR
15	TRANSMISSION
17	BOWL GUARD AND HEIGHT SENSOR
18	ATTACHMENT HUB
19	AGITATORS AND ACCESSORIES
20	WIRING HARNESS



PL-59293

CONTROL PANEL

ILLUS.	PART NO.	NAME OF PART	AMT.
	PL-59293		
1	00-917354	PCB Assy – Speed Select	1
2	00-916988-00006	Timer Assy.	1
3	NS-009-12	Nut 8-32 Hex (ML-141006, ML-141007, ML-141020, & ML-141021).....	1
4	WL-007-06	Lockwasher #8 External (ML-141006, ML-141007, ML-141020, & ML-141021).....	1
5	00-937233-00001	Control Assy. – Operator (ML-141004 & ML-141005)	1
6	00-937233-00002	Control Assy. – Operator CE (ML-141006, ML-141007, ML-141020, & ML-141021).....	1
7	00-937231	Overlay – Operator Panel (ML-141004 & ML-141005).....	1
8	00-937232	Overlay – Operator Panel (ML-141006, ML-141007, ML-141020, & ML-141021)	1
9	00-937230	Panel – Operator (ML-141004 & ML-141005).....	1
10	00-937305	Panel – Operator CE (Incls. Stud) (ML-141006, ML-141007, ML-141020, & ML-141021).....	1
11	SC-128-18	Mach. Screw M3 x 0.5 x 6mm Phil. Flat Hd.....	2
12	00-917141	Knob – Control.....	2
13	00-917447	Switch – Start.....	1
14	00-917446	Guard – Switch	1
15	00-917448	Switch – Stop.....	1
16	SC-120-61	Mach. Screw M4 x 0.7 x 10mm Slotted Cheese Hd.	6

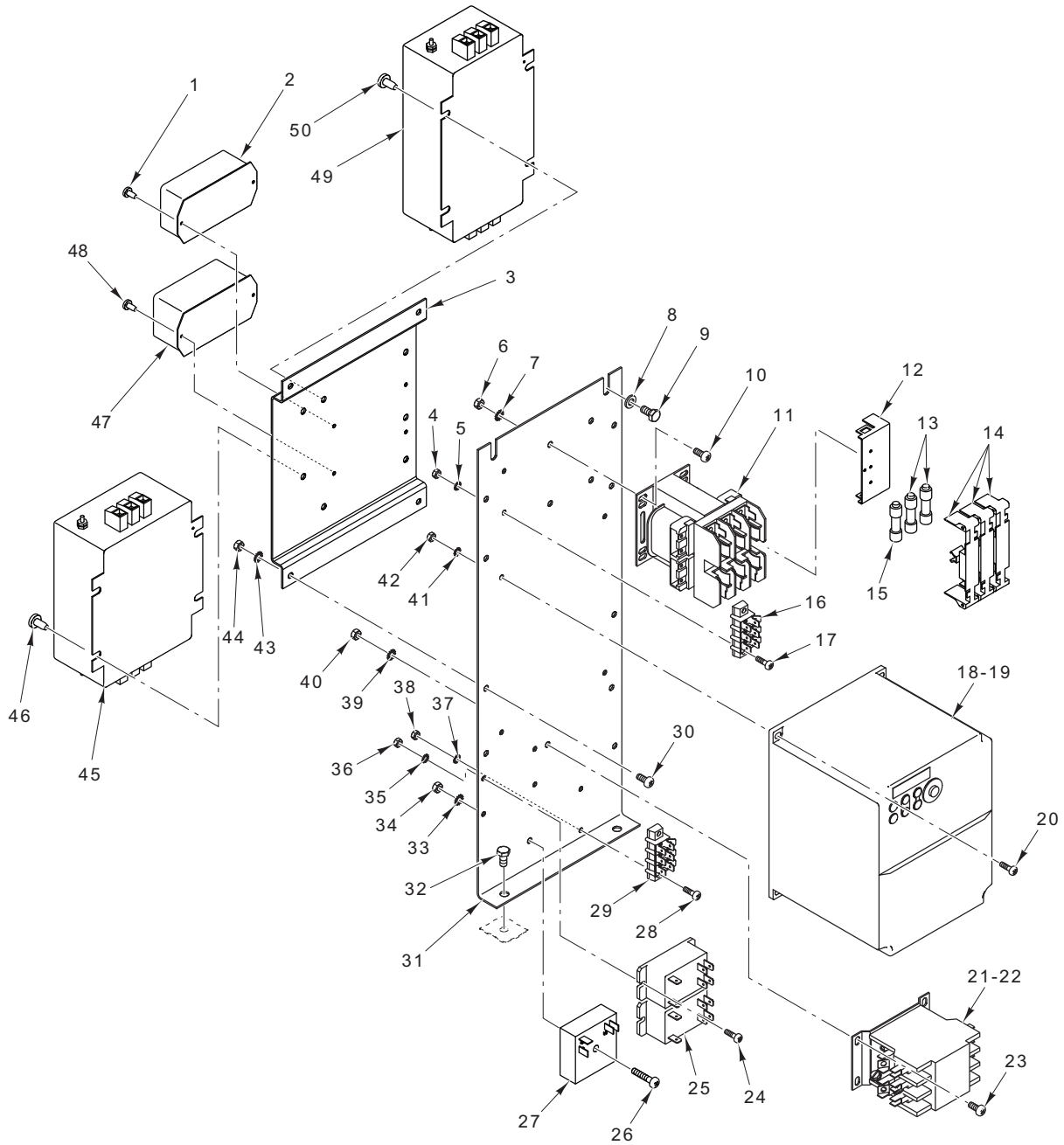


PL-59294

ELECTRICAL COMPONENTS (ML-141004 & ML-141005)

ELECTRICAL COMPONENTS (ML-141004 & ML-141005)

ILLUS. PL-59294	PART NO.	NAME OF PART	AMT.
1	WL-019-81	Lockwasher M4 External (SST).....	2
2	NS-047-48	Nut M4 x 0.7 Hex	2
3	WL-019-81	Lockwasher M4 External (SST).....	2
4	NS-047-48	Nut M4 x 0.7 Hex	2
5	WL-019-69	Lockwasher M5 External (SST).....	4
6	NS-047-49	Nut M5 x 0.8 Hex	4
7	00-917601	Plate – Controller Mounting	1
8	WL-019-81	Lockwasher M4 External (SST).....	2
9	NS-047-48	Nut M4 x 0.7 Hex	4
10	WL-019-81	Lockwasher M4 External (SST).....	2
11	NS-047-48	Nut M4 x 0.7 Hex	2
12	NS-047-49	Nut M5 x 0.8 Hex	4
13	WL-019-69	Lockwasher M5 External (SST).....	4
14	WS-031-17	Washer (SST)	2
15	SC-125-09	Mach. Screw M6 x 1.0 x 12mm Hex Hd.	2
16	00-294500-032-1	Transformer (50 VA) (ML-141005).....	1
17	SC-128-15	Mach. Screw M5 x 0.8 x 12mm Phil. Pan Hd.	4
18	00-916269	Block – Terminal 1/4 QC.....	1
19	SC-128-14	Mach. Screw M4 x 0.7 x 14mm Phil. Pan Hd.	2
20	00-917581	Controller (400-460 V., 50-60 Hz., 3 Ph.) (ML-141005).....	1
21	00-917580	Controller (200-240 V., 50-60 Hz., 3 Ph.) (ML-141004).....	1
22	SC-128-14	Mach. Screw M4 x 0.7 x 14mm Phil. Pan Hd.	4
23	SC-128-15	Mach. Screw M5 x 0.8 x 12mm Phil. Pan Hd.	4
24	00-916903-00001	Contact (3-Pole) (30 Amp.).....	1
25	SC-128-14	Mach. Screw M4 x 0.7 x 14mm Phil. Pan Hd.	2
26	00-916269	Block – Terminal 1/4 QC.....	1
27	SC-128-14	Mach. Screw M4 x 0.7 x 14mm Phil. Pan Hd.	2
28	00-087714-042-3	Relay (2-Pole) (240 VAC Coil).....	1
29	SC-125-09	Mach. Screw M6 x 1.0 x 12mm Hex Hd.	2

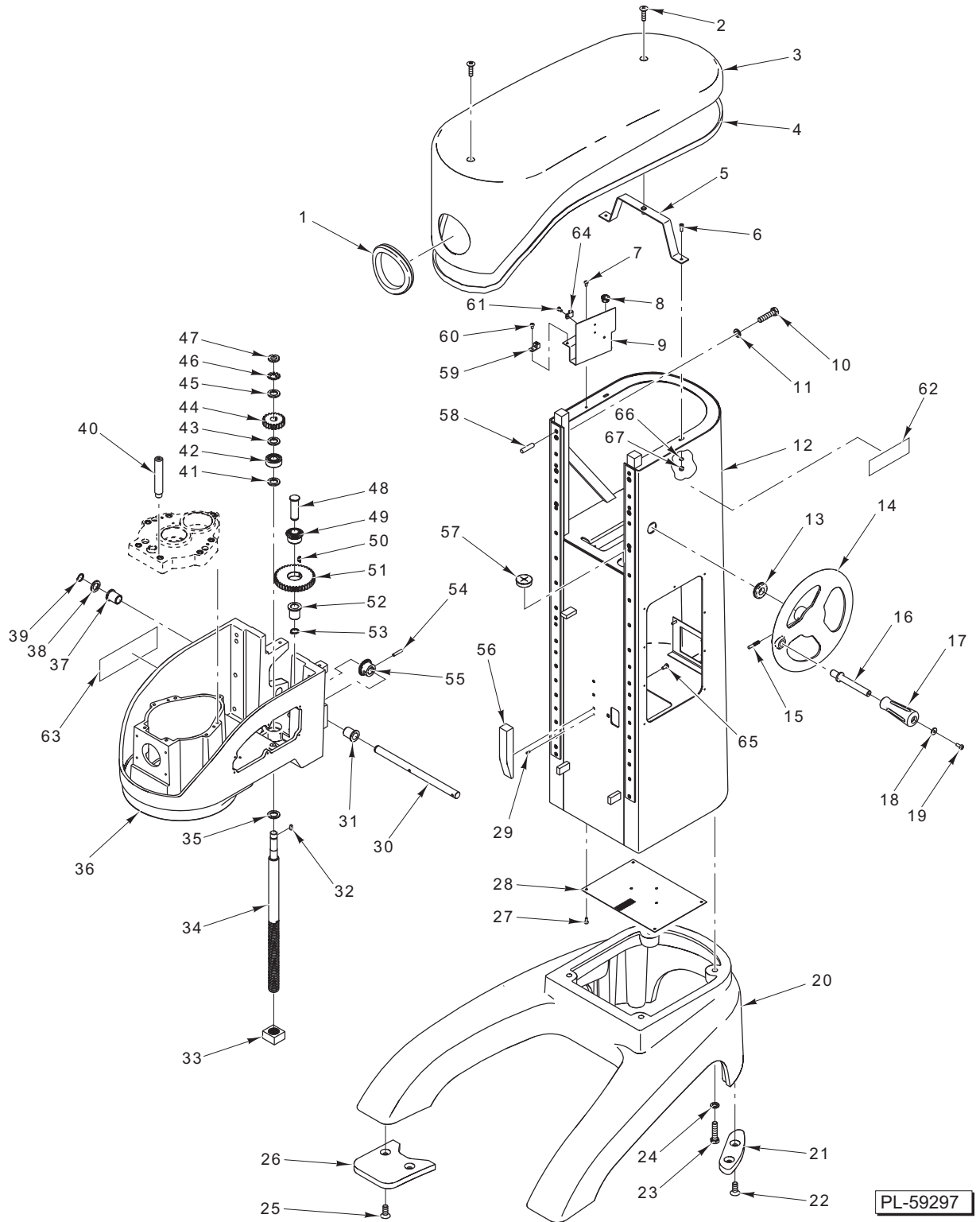


PL-59295

**ELECTRICAL COMPONENTS
(ML-141006, ML-141007, ML-141020, & ML-141021)**

ELECTRICAL COMPONENTS
(ML-141006, ML-141007, ML-141020, & ML-141021)

ILLUS. PL-59295	PART NO.	NAME OF PART	AMT.
1	SD-036-50	Self-Tapping Screw 4.2 x 9.5mm Phil. Pan Hd., Type AB.....	4
2	00-937218-00002	Filter – Power Line (ML-141020 & ML-141021).....	1
3	00-917994	Plate – Filter Mounting.....	1
4	NS-047-48	Nut M4 x 0.7 Hex.....	2
5	WL-019-81	Lockwasher M4 External (SST).....	2
6	NS-047-49	Nut M5 x 0.8 Hex.....	4
7	WL-019-69	Lockwasher M5 External (SST).....	4
8	WS-031-17	Washer (SST).....	2
9	SC-125-09	Mach. Screw M6 x 1.0 x 12mm Hex Hd.	2
10	SC-128-15	Mach. Screw M5 x 0.8 x 12mm Phil. Pan Hd.	4
11	00-294500-032-1	Transformer (50 VA) (ML-141020 & ML-141021).....	1
12	00-477566	Cover – Transformer (ML-141020 & ML-141021).....	2
13	FE-025-20	Fuse (600 V., 2.0 Amp.) (ML-141020 & ML-141021).....	2
14	00-478217	Puller – Fuse (ML-141020 & ML-141021).....	3
15	FE-025-58	Fuse (600 V., 3.0 Amp.) (ML-141020 & ML-141021).....	1
16	00-916269	Block – Terminal 1/4 QC.....	1
17	SC-128-14	Mach. Screw M4 x 0.7 x 14mm Phil. Pan Hd.	2
18	00-917581	Controller (400-460 V., 50-60 Hz., 3 Ph.) (ML-141020 & ML-141021).....	1
19	00-917580	Controller (200-240 V., 50-60 Hz., 1 Ph. & 3 Ph.) (ML-141006 & ML-141007).....	1
20	SC-128-14	Mach. Screw M4 x 0.7 x 14mm Phil. Pan Hd.	4
21	00-916903-00001	Contactora (3-Pole) (30 Amp.).....	1
22	00-917933	Barrier – Mylar.....	1
23	SC-128-15	Mach. Screw M5 x 0.8 x 12mm Phil. Pan Hd.	4
24	SC-128-14	Mach. Screw M4 x 0.7 x 14mm Phil. Pan Hd.	4
25	00-087714-042-3	Relay (2-Pole) (240 VAC Coil).....	2
26	SC-131-01	Mach. Screw M5 x 0.8 x 25mm Phil. Pan Hd.	1
27	00-917701	Relay – Timer Delay.....	1
28	SC-128-14	Mach. Screw M4 x 0.7 x 14mm Phil. Pan Hd.	2
29	00-916269	Block – Terminal 1/4 QC.....	1
30	SC-128-15	Mach. Screw M5 x 0.8 x 12mm Phil. Pan Hd.	4
31	00-917601	Plate – Controller Mounting.....	1
32	SC-125-09	Mach. Screw M6 x 1.0 x 12mm Hex Hd.	2
33	WL-019-69	Lockwasher M5 External (SST).....	1
34	NS-047-49	Nut M5 x 0.8 Hex.....	1
35	WL-019-81	Lockwasher M4 External (SST).....	4
36	NS-047-48	Nut M4 x 0.7 Hex.....	4
37	WL-019-81	Lockwasher M4 External (SST).....	2
38	NS-047-48	Nut M4 x 0.7 Hex.....	2
39	WL-019-69	Lockwasher M5 External (SST).....	4
40	NS-047-49	Nut M5 x 0.8 Hex.....	4
41	WL-019-81	Lockwasher M4 External (SST).....	4
42	NS-047-48	Nut M4 x 0.7 Hex.....	4
43	WL-019-69	Lockwasher M5 External (SST).....	4
44	NS-047-49	Nut M5 x 0.8 Hex.....	4
45	00-917922	Filter – Power Line (200-240 V., 3 Ph.) (ML-141007).....	1
46	SD-039-55	Self-Tapping Screw 6.3 x 13mm Phil. Pan Hd., Type AB.....	4
47	00-937218-00001	Filter – Power Line (20 Amp.) (ML-141006).....	1
48	SD-036-50	Self-Tapping Screw 4.2 x 9.5mm Phil. Pan Hd., Type AB.....	4
49	00-917183	Filter – Power Line (400 V., 3 Ph.) (ML-141020 & ML-141021).....	1
50	SD-039-55	Self-Tapping Screw 6.3 x 13mm Phil. Pan Hd., Type AB.....	4
	00-937219	Harness – Filter Interconnect.....	1

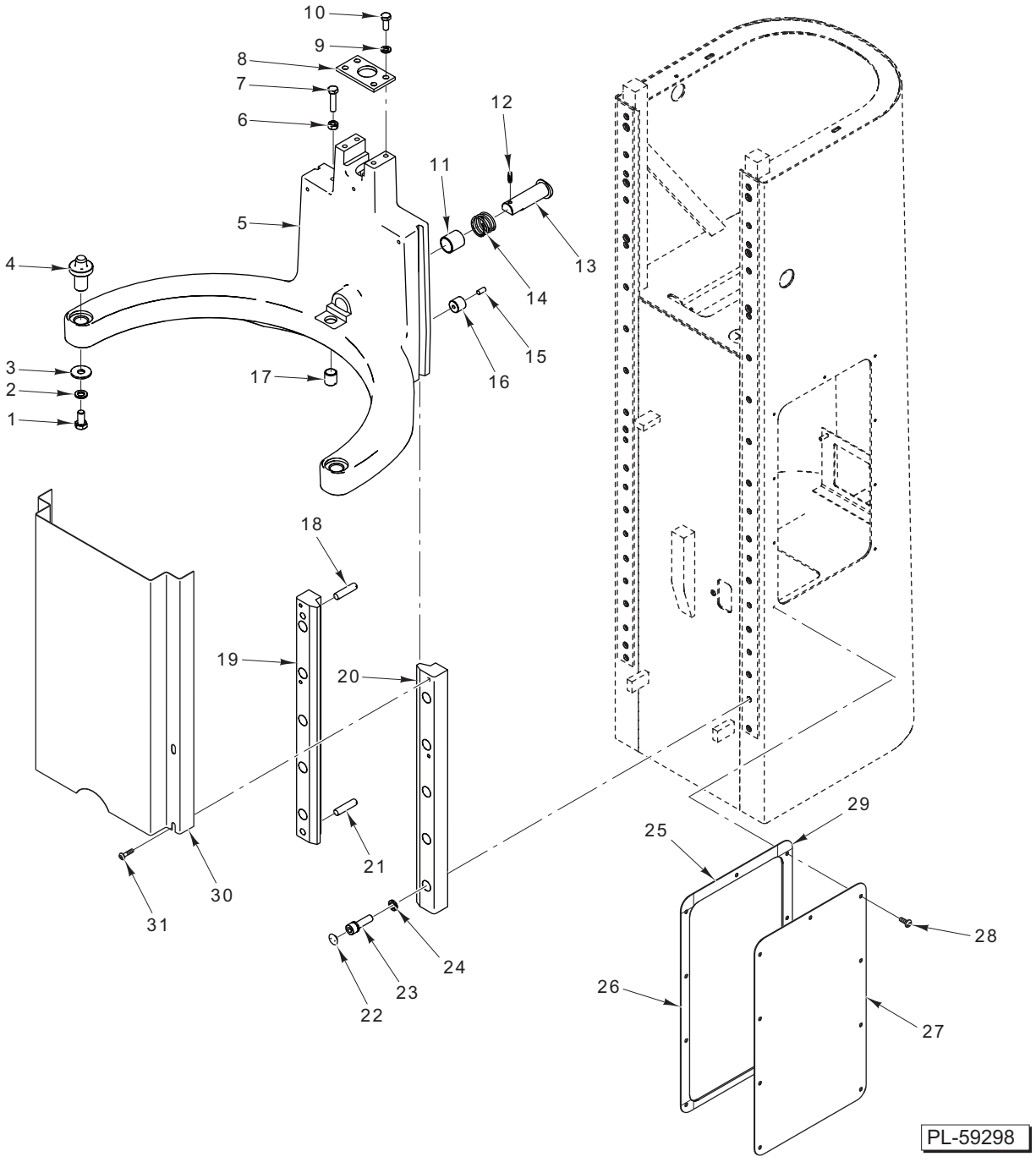


BASE AND PEDESTAL

ILLUS.	PART NO.	NAME OF PART	AMT.
PL-59297			
1	00-917128	Grommet – Attachment Hub	1
2	SC-120-29	Mach. Screw 1/4-20 x 1 Phil Oval Hd.....	1
3	00-917470-00003	Cover – Top (With Hub)	1
4	00-874925-00010	Seal – Neoprene	1

BASE AND PEDESTAL (CONT.)

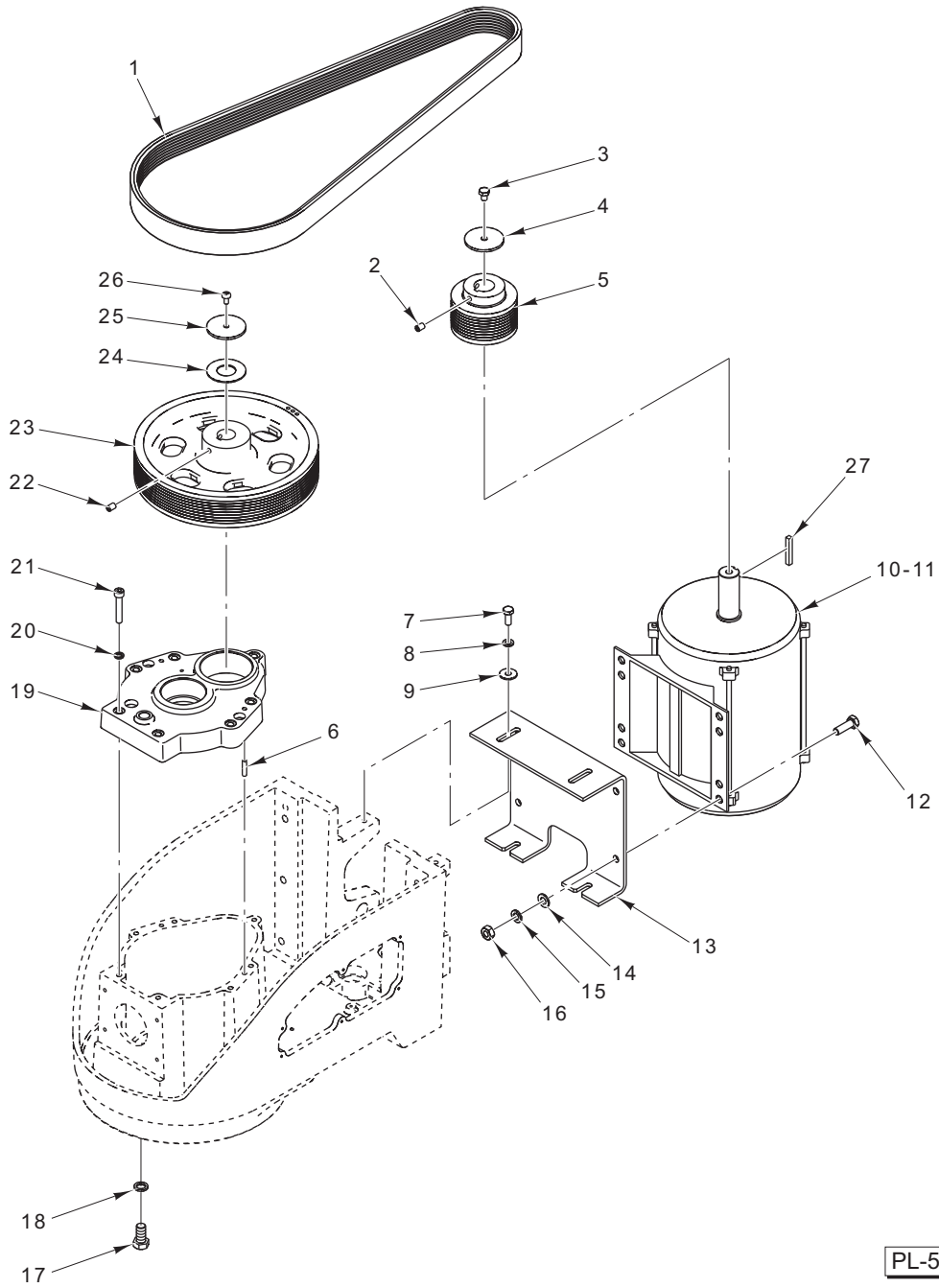
ILLUS.	PART NO.	NAME OF PART	AMT.
	PL-59297		
5	00-917623	Strap – Insert Top Cover.....	1
6	SC-130-17	Mach. Screw M6 x 1.0 x 16mm Phil. Pan Hd.	2
7	SD-038-68	Self-Tapping Screw M5 x 0.8 x 10mm Phil. Pan Hd. Type TT	1
8	FE-021-13	Bushing – Electric Split	1
9	00-917766	Shield – Wiring.....	1
10	SC-130-71	Cap Screw M12 x 1.75 x 50mm Hex Hd.....	6
11	WL-020-15	Lockwasher M12 Helical.....	6
12	00-917455	Pedestal.....	1
13	00-917641	Grommet – Bowl Lift	1
14	00-917548-00002	Handwheel.....	1
15	00-937063	Pin.....	1
16	00-917550	Axle – Handle	1
17	00-917549	Handle – Handwheel	1
18	WS-030-43	Washer (SST).....	1
19	SC-130-49	Mach. Screw M6 x 1.0 x 16mm Slotted Pan Hd.	1
20	00-917412-00003	Base.....	1
21	00-917583	Pad – Rear Foot	2
22	SC-118-56	Cap Screw M12 x 1.75 x 30mm Hex Flat Hd.....	4
23	SC-130-71	Cap Screw M12 x 1.75 x 50mm Hex Hd.....	4
24	WL-020-15	Lockwasher M12 Helical.....	4
25	SC-118-56	Cap Screw M12 x 1.75 x 30mm Hex Flat Hd.....	4
26	00-917582	Pad – Front Foot.....	2
27	SC-128-15	Mach. Screw M5 x 0.8 x 12mm Phil. Pan Hd.	6
28	00-917479	Screen – Pedestal Bottom.....	1
29	RP-006-47	Pin – Roll (5mm).....	1
30	00-917551	Shaft – Handwheel	1
31	00-917621	Bearing – Handwheel Shaft.....	1
32	00-917496-00017	Key – Metric.....	1
33	00-917487	Nut – Bowl Lift Screw.....	1
34	00-917488	Screw – Bowl Lift	1
35	WS-031-65	Washer.....	1
36	00-917429-00003	Case – Transmission	1
37	00-917621	Bearing – Handwheel Shaft	1
38	WS-031-65	Washer.....	1
39	RR-011-90	Ring – Retaining	1
40	00-917590	Stand Off – Front	1
41	WS-031-65	Washer.....	1
42	BB-005-30	Bearing – Ball	1
43	WS-031-65	Washer.....	1
44	00-917532	Pinion – Driven Bowl Lift.....	1
45	WS-031-65	Washer.....	1
46	WL-020-16	Lockwasher.....	1
47	NS-049-21	Lock Nut M17 x 1.0.....	1
48	00-917536	Shaft – Miter Gear Stub	1
49	00-917534	Gear – Bowl Lift	1
50	00-917606	Key – Woodruff	1
51	00-917533	Gear – Driver Bowl Lift.....	1
52	00-024603	Bearing – Handwheel	1
53	RR-011-90	Ring – Retaining	1
54	RP-006-46	Pin – Roll (6mm).....	1
55	00-917535	Gear – Bowl Lift	1
56	00-917666	Ramp – Pin Slide.....	1
57	FE-026-28	Bushing – Electric Snap.....	1
58	00-917595-00001	Dowel.....	2
59	00-118544-00001	Lug – Solderless.....	1
60	SD-038-68	Self-Tapping Screw M5 x 0.8 x 10mm Phil. Pan Hd. Type TT	1
61	SD-038-68	Self-Tapping Screw M5 x 0.8 x 10mm Phil. Pan Hd. Type TT (ML-141004 & ML-141005).....	1
62	00-917343	Logo – Ecomax (Small)	1
63	00-917277	Logo – Ecomax (Large)	1
64	00-078752-00003	Clamp – Cable (ML-141004 & ML-141005).....	1
65	SC-125-09	Mach. Screw M6 x 1.0 x 12mm Hex Hd.	2
66	WL-020-12	Lockwasher M6 Helical.....	2
67	NS-047-50	Nut M6 x 1.0 Hex	2



BOWL SUPPORT

BOWL SUPPORT

ILLUS.	PART NO.	NAME OF PART	AMT.
	PL-59298		
1	SC-118-75	Cap Screw M10 x 1.50 x 20mm Hex Hd.....	2
2	WL-019-98	Lockwasher M10 Helical.....	2
3	WS-031-63	Washer.....	2
4	00-917554	Pin – Bowl Mounting.....	2
5	00-937302	Support – Bowl Mach.....	1
6	NS-200-02	Nut M8 Hex.....	1
7	SC-130-81	Mach. Screw M8 x 1.25 x 35mm Hex Hd.	2
8	00-917609	Retainer – Bowl Lift Nut.....	1
9	WL-019-70	Lockwasher M8 Spring.....	4
10	SC-120-59	Cap Screw M8 x 1.25 x 20mm Hex Hd.....	4
11	00-917664	Bushing – Slide Pin.....	1
12	00-937064	Pin.....	1
13	00-917665	Pin – Bowl Slide.....	1
14	00-917667	Spring –Slide Pin.....	1
15	00-917185	Magnet.....	1
16	00-917186	Holder – Magnet.....	1
17	00-917937	Pad – Isolator.....	1
18	00-917595-00001	Dowel.....	1
19	00-917438-00001	Slideway (LH).....	1
20	00-917438-00002	Slideway (RH).....	1
21	00-917595-00001	Dowel.....	1
22	PB-004-90	Cap.....	6
23	SC-130-70	Cap Screw M10 x 1.50 x 35mm Hex Socket Hd.....	10
24	WL-020-14	Lockwasher M10 Helical.....	10
25	00-917986-00005	Seal – Side Cover.....	2
26	00-917986-00006	Seal – Side Cover.....	1
27	00-917638	Cover.....	1
28	SC-120-61	Mach. Screw M4 x 0.7 x 10mm Slotted Cheese Hd.	9
29	00-917986-00006	Seal – Side Cover.....	1
30	00-917473	Apron – Front.....	1
31	SC-121-53	Mach. Screw M6 x 1.0 x 10mm Slotted Truss Hd. (SST)	4

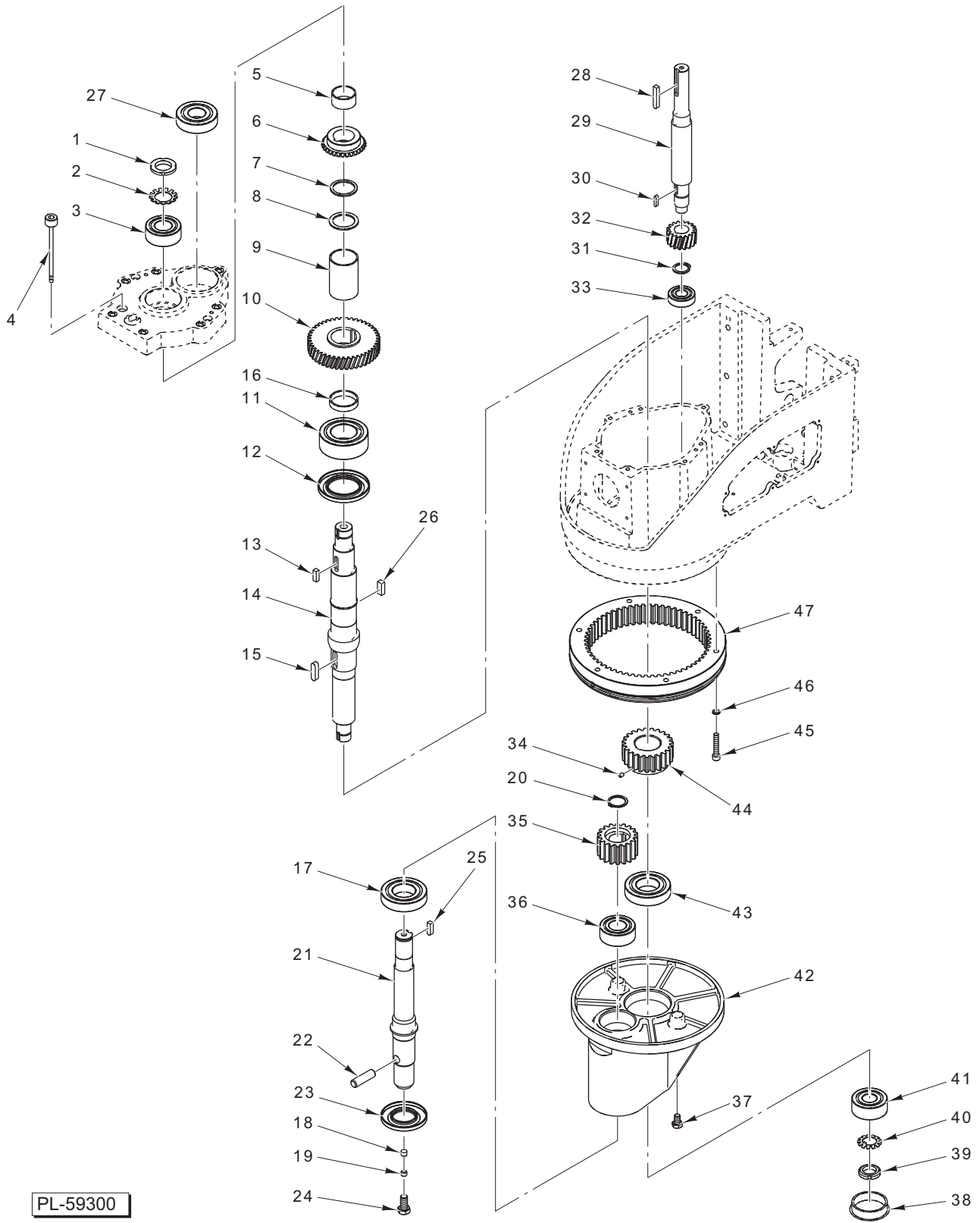


PL-59299

TRANSMISSION CASE AND MOTOR

TRANSMISSION CASE AND MOTOR

ILLUS.	PART NO.	NAME OF PART	AMT.
PL-59299			
1	00-873921	Belt.....	1
2	SC-117-33	Set Screw M8 x 1.25 x 12mm Hex Hdls., Cup Pt.	2
3	SC-121-57	Cap Screw M8 x 1.25 x 10mm Hex Socket Hd.	1
4	00-874345-00006	Washer – Special (0.134)	1
5	00-917521	Sheave – Driven	1
6	00-917595-00002	Dowel.....	2
7	SC-120-59	Cap Screw M8 x 1.25 x 20mm Hex Hd.....	4
8	WL-019-70	Lockwasher M8 Helical.....	4
9	WS-030-66	Washer (SST)	4
10	00-917676	Motor (3 Hp) (ML-141004 & ML-141005)	1
11	00-917927	Motor (3 Hp) (ML-141006, ML-141007, ML-141020, & ML-141021)	1
12	SC-123-17	Cap Screw M10 x 1.50 x 30mm Hex Hd.....	4
13	00-917471	Plate – Motor Mounting.....	1
14	WS-031-64	Washer.....	4
15	WL-019-89	Lockwasher M10 Helical (SST)	4
16	NS-047-52	Nut M10 x 1.5 Hex	4
17	SC-041-42	Cap Screw 1/2-20 x 1 Hex Hd. (SST).....	1
18	WS-021-21	Washer.....	1
19	00-917420-00002	Cover – Transmission	1
20	WL-020-13	Lockwasher M8 Helical	7
21	SC-117-17	Cap Screw M8 x 1.25 x 45mm Hex Socket Hd.....	7
22	SC-117-33	Set Screw M8 x 1.25 x 12mm Hex Hdls., Cup Pt.	2
23	00-917520	Sheave – Driven	1
24	00-874345-00004	Washer – Special (0.063)	1
25	00-874345-00003	Washer – Special (0.134)	1
26	SC-128-16	Mach. Screw M6 x 1 x 12mm Phil. Pan Hd.	1
27	00-012430-00163	Key.....	1

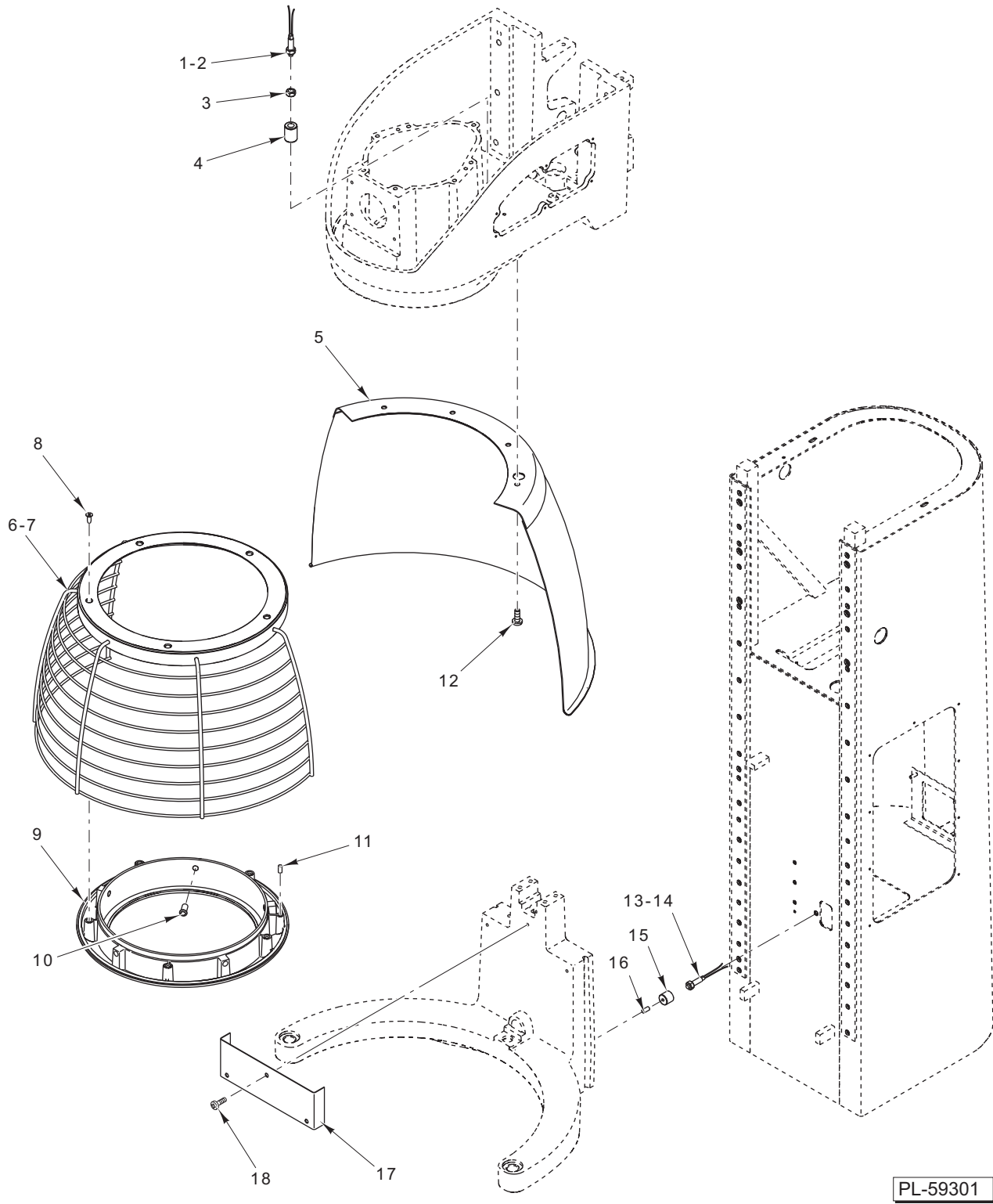


PL-59300

TRANSMISSION

TRANSMISSION

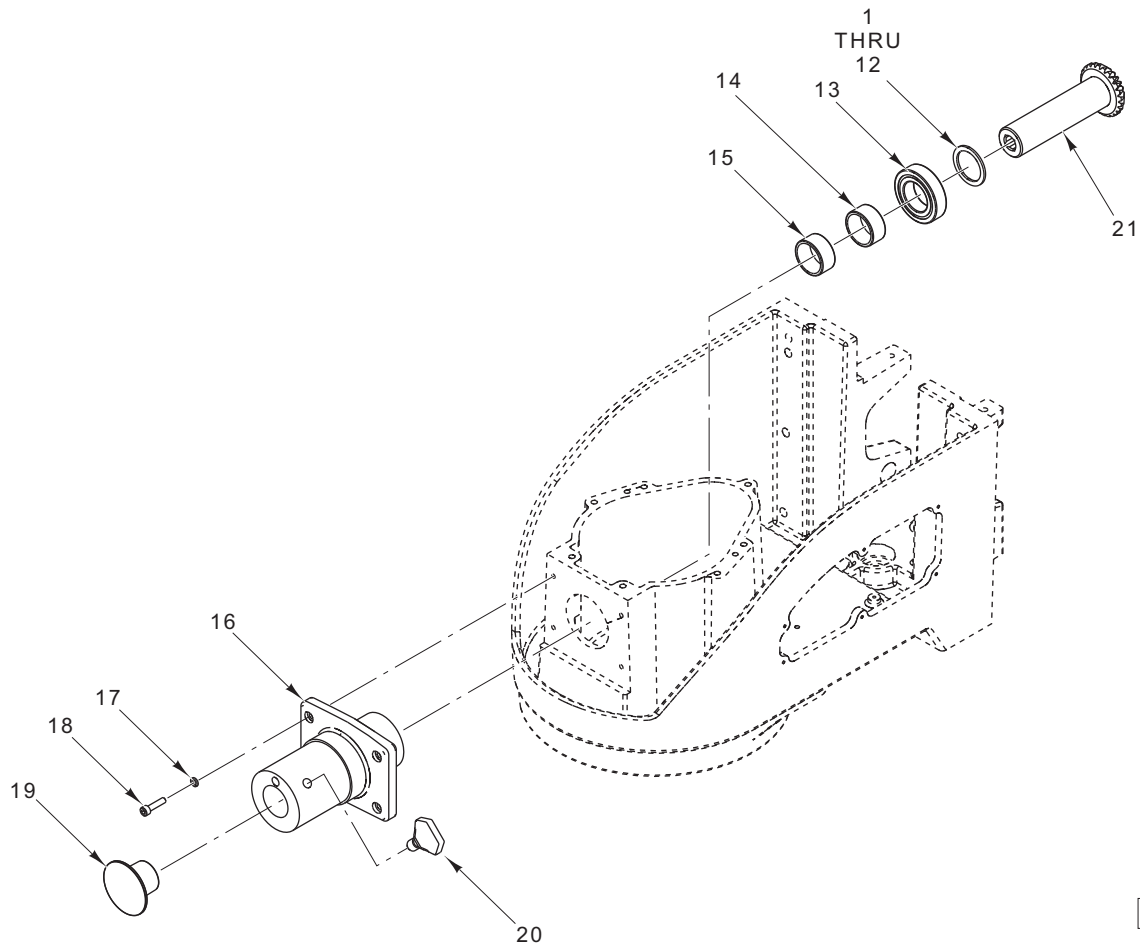
ILLUS.	PART NO.	NAME OF PART	AMT.
1	NS-049-23	Lock Nut M30 x 1.5.....	1
2	WL-020-18	Lockwasher 30mm x 49mm.....	1
3	BB-021-35	Bearing – Ball.....	1
4	00-917875	Dipstick.....	1
5	00-917508-00002	Spacer – Tubing Top.....	1
6	00-917507	Gear – Attachment Hub Bevel.....	1
7	00-874384	Spacer – Gear.....	1
8	00-874283-00005	Shim – Gear.....	1
9	00-917508-00001	Spacer – Tubing Middle.....	1
10	00-917506	Gear – Planetary Shaft.....	1
11	BB-009-30	Bearing – Ball.....	1
12	00-873939	Seal.....	1
13	00-917496-00015	Key – Metric.....	1
14	00-917423	Shaft – Planetary.....	1
15	00-917496-00008	Key – Metric.....	1
16	00-917508-00003	Spacer – Lower Tubing.....	1
17	BB-007-01	Bearing – Ball.....	1
18	SC-130-74	Set Screw M10 x 1.50 x 12mm Hex Hdls. Cone Pt.....	1
19	SC-130-72	Set Screw M10 x 1.50 x 8mm Hex Hdls. Flat Pt.....	1
20	RR-012-41	Ring – Retaining.....	1
21	00-917422	Shaft – Beater.....	1
22	00-917613	Pin – Agitator Shaft.....	1
23	00-292288	Seal.....	1
24	SC-130-76	Cap Screw M12 x 1.75 x 25mm Hex Hd. Hex Pt.....	1
25	00-917496-00007	Key – Metric.....	1
26	00-917496-00010	Key – Metric.....	1
27	BB-006-36	Bearing – Ball.....	1
28	00-917496-00016	Key – Metric.....	1
29	00-917517	Shaft – Input.....	1
30	00-917496-00013	Key – Metric.....	1
31	RR-009-07	Ring – Retaining.....	1
32	00-917516	Pinion – Input Shaft.....	1
33	BB-007-14	Bearing – Ball.....	1
34	SC-117-36	Set Screw M6 x 1 x 8mm Hex Hdls. Cup Pt.....	1
35	00-917501	Pinion – Planetary.....	1
36	BB-021-35	Bearing – Ball.....	1
37	SC-131-16	Cap Screw M10 x 1.50 x 12mm Hex Hd. (SST).....	2
38	00-874291	Plug – Planetary.....	1
39	NS-049-22	Lock Nut – Bearing M25 x 1.50.....	1
40	WL-020-17	Lockwasher – Bearing 25mm x 42mm.....	1
41	BB-021-52	Bearing – Ball.....	1
42	00-917413-00003	Planetary.....	1
43	BB-007-01	Bearing – Ball.....	1
44	00-917503	Gear – Sun.....	1
45	SC-117-17	Cap Screw M8 x 1.25 x 45mm Hex Socket Hd.....	6
46	WL-020-13	Lockwasher M8 Helical.....	6
47	00-917493	Gear – Internal.....	1



BOWL GUARD AND HEIGHT SENSOR

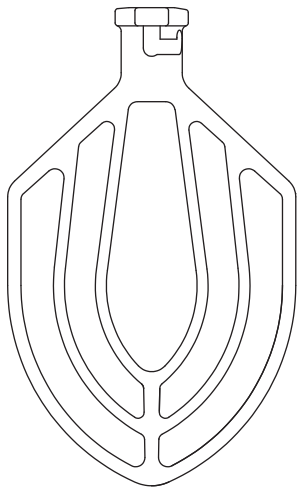
BOWL GUARD AND HEIGHT SENSOR

ILLUS.	PART NO.	NAME OF PART	AMT.
PL-59301			
1	00-916902-00003	Switch – Reed (ML-141004 & ML-141005)	1
2	00-916902-00004	Switch – Reed (Fused) (ML-141006, ML-141007, ML-141020, & ML-141021).....	1
3	00-917632	Nut – Reed Holder	1
4	00-917631	Holder – Reed Switch	1
5	00-917727	Guard – Rear Splash	1
6	00-917555	Cage Assy. (Incls. Items 8 thru 11) (All Except ML-141021).....	1
7	00-917775	Cage Assy. (Incls. Items 8 thru 11) (ML-141021).....	1
8	SD-039-48	Self-Tapping Screw M6.3 x 1.8 x 16mm Phil. Flat Hd.....	5
9	00-917414	Ring – Drip.....	1
10	00-917566	Plunger – Ball	5
11	00-917185	Magnet.....	1
12	SC-121-53	Mach. Screw M6 x 1.0 x 10mm Slotted Truss Hd. (SST)	4
13	00-916902-00003	Switch – Reed (ML-141004 & ML-141005)	1
14	00-916902-00004	Switch – Reed (Fused) (ML-141006, ML-141007, ML-141020, & ML-141021).....	1
15	00-917186	Holder – Magnet	1
16	00-917185	Magnet.....	1
17	00-937068	Apron – Inner	1
18	SC-121-53	Mach. Screw M6 x 1.0 x 10mm Slotted Truss Hd. (SST)	3

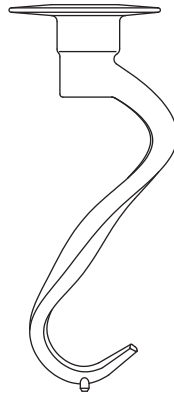


ATTACHMENT HUB

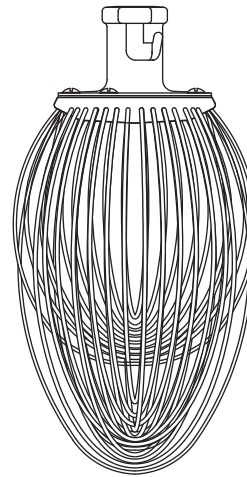
ILLUS.	PART NO.	NAME OF PART	AMT.
PL-59296			
1	00-061920-00001	Washer – Thrust (0.076).....	AR
2	00-061920-00002	Washer – Thrust (0.079).....	AR
3	00-061920-00003	Washer – Thrust (0.082).....	AR
4	00-061920-00004	Washer – Thrust (0.085).....	AR
5	00-061920-00005	Washer – Thrust (0.088).....	AR
6	00-061920-00006	Washer – Thrust (0.091).....	AR
7	00-061920-00007	Washer – Thrust (0.094).....	AR
8	00-061920-00008	Washer – Thrust (0.097).....	AR
9	00-061920-00009	Washer – Thrust (0.100).....	AR
10	00-061920-00010	Washer – Thrust (0.103).....	AR
11	00-061920-00011	Washer – Thrust (0.106).....	AR
12	00-061920-00012	Washer – Thrust (0.070).....	AR
13	BB-013-03	Bearing – Thrust Ball (1 ³ / ₈).....	1
14	BN-002-06	Bearing – Needle 1 ³ / ₈	1
15	BN-002-06	Bearing – Needle 1 ³ / ₈	1
16	00-917421-00002	Hub – Attachment.....	1
17	WL-020-12	Lockwasher M6 Helical.....	4
18	SC-130-60	Cap Screw M6 x 1.0 x 25mm Hex Socket Hd.....	4
19	00-917322	Plug – Attachment (Black).....	1
20	00-108197-00001	Screw – Thumb (1 ¹ / ₈).....	1
21	00-917513	Pinion – Bevel Attachment Hub.....	1



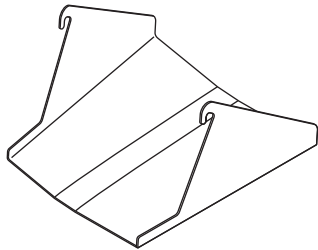
1-2



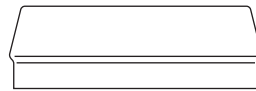
3-4



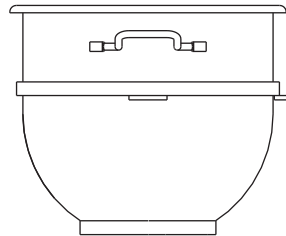
5-6



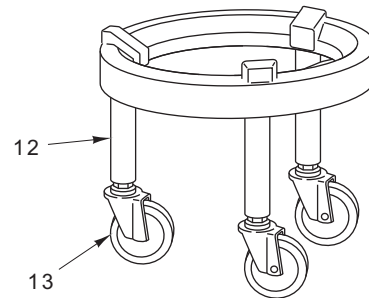
7



10-11



8-9

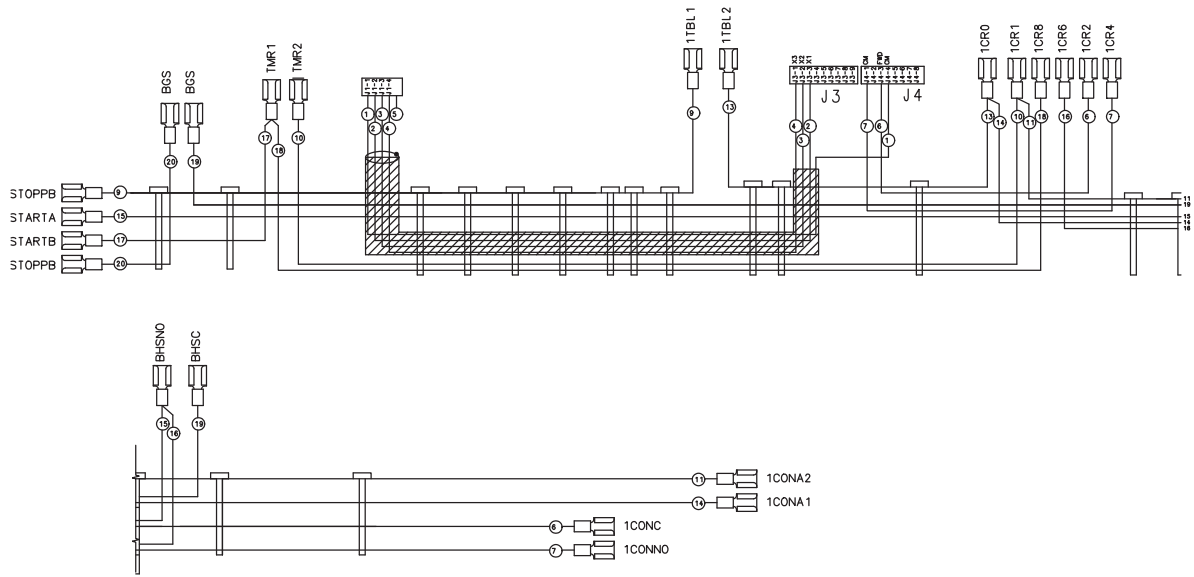


14

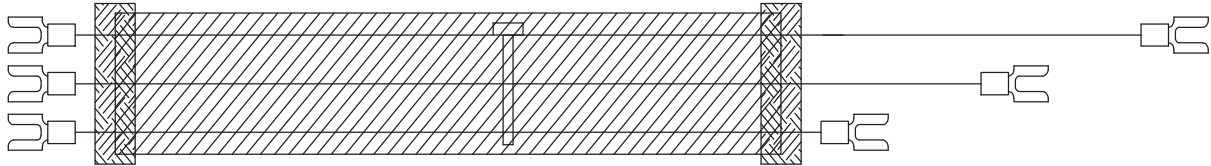
PL-59302

AGITATORS AND ACCESSORIES

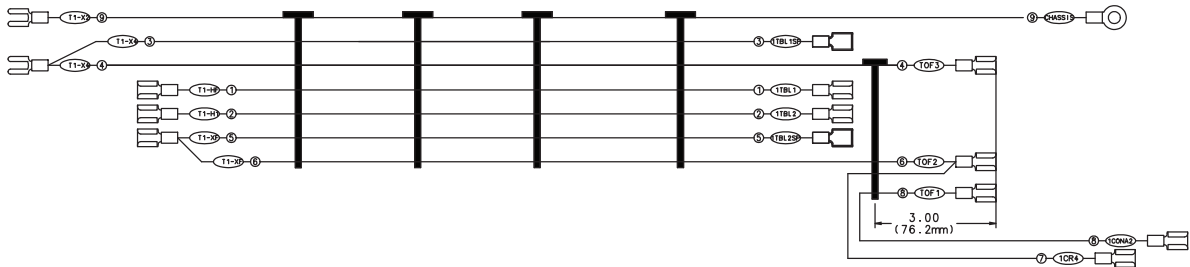
ILLUS.	PART NO.	NAME OF PART	AMT.
1	00-937098	Flat Beater (60 Qt.) (Packaged).....	1
2	00-937113	Flat Beater (30 Qt.) (Packaged).....	1
3	00-937100	Dough Hook (60 Qt.) (Packaged).....	1
4	00-937116	Dough Hook (30 Qt.) (Packaged).....	1
5	00-937099	Wire Whip (60 Qt.) (Packaged).....	1
6	00-937115	Wire Whip (30 Qt.) (Packaged).....	1
7	00-937102	Ingredient Chute (60 Qt.) (Packaged).....	1
8	00-937101	Bowl Assy (60 Qt.) (Packaged).....	1
9	00-937111	Bowl Assy (30 Qt.) (Packaged).....	1
10	00-937127	Splash Cover (60 Qt.) (Packaged).....	1
11	00-917968	Splash Cover (30 Qt.) (Packaged).....	1
12	00-874287	Leg – Extension (Bowl Truck).....	3
13	00-874288	Caster (4 In.) (Bowl Truck).....	3
14	00-937103	Truck – Bowl.....	1
	00-937095	Bowl Reduction Kit (30 Qt.) (Incls. 30 Qt. Bowl, Beater, Whip, & Dough Hook).....	1



00-917918 Harness - Main



00-917935 Harness - Drive Power Assembly (1Ph. & 3 Ph.)



00-917771 Harness - Transform CE (400 V only)

PL-59303

WIRING HARNESS