



CATALOG OF REPLACEMENT PARTS

ELECTRONIC STRETCH WRAPPER

ML-26369	ESW-1	Original
ML-44025	ESW-2	Film Mizer
ML-44089	ESW-3	Film Mizer

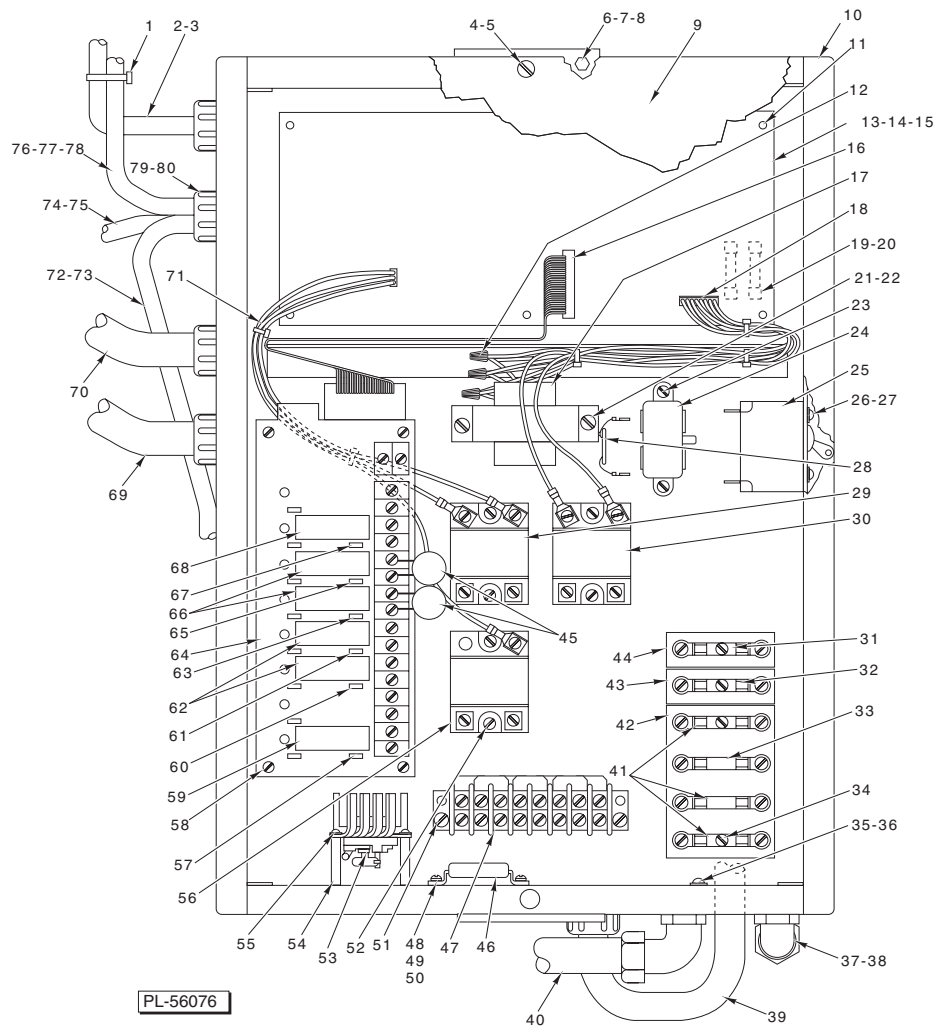
Table of Contents

Page	Description
3	Miscellaneous Listing
4	Control Box
7	Potentiometer, Contactor, and Junction Box
9	Junction Box and Switch Assembly (RH) (ML-26369)
10	Junction Box and Switch Assembly (RH) (ML-44025 & ML-44089)
12	Junction Box and Switch Assembly (LH)
14	Control Panel Keyboard
15	Cables
16	Motor and Caster
18	Top Panel
21	Lower Panel
22	Sensor and Front Hold Down
24	Upper Pusher Plate
26	Intake Pusher and Chain Shield
29	Intake Pan (RH) (ML-26369)
31	Intake Pan (LH) (ML-26369)
33	Intake Pan (RH) (ML-44025 & ML-44089)
35	Intake Pan (LH) (ML-44025 & ML-44089)
37	Elevator Lever (Old Style)
39	Elevator Lever (New Style)
40	Elevator Platform and Support (ML-44025 & ML-44089)
43	Elevator Platform Assembly (ML-26369)
44	Clamp and Solenoid Assembly
46	Cam and Lever
48	Outer Lever (Gripper)
50	Package Platform Gear and Chain Assembly
53	Main Drive Shaft
54	Gripper Adjustment and Discharge Drive
56	Gripper
59	Film Guide
60	Film Adjustment
63	Film Guide Pivot
65	Film Guide Solenoid
67	Rear Underfold
68	Discharge Shaft and Hold Down (ML-26369)
70	Discharge Shaft and Hold Down (ML-44025 & ML-44089)
73	Hold Down and Discharge Door (ML-44025 & ML-44089)
74	Knife
76	Belt Sealer (ML-26369)
78	Belt Sealer (ML-44025 & ML-44089)
80	Unwind Plate and Roller (Two Assemblies per Machine) (ML-26369)
82	Unwind Plate and Roller (Two Assemblies per Machine) (ML-44025 & ML-44089)
84	Discharge Conveyor (ML-26369)
85	Discharge Conveyor (ML-44025 & ML-44089)
86	Overlay Dispenser
87	Recommended Spare Parts List for ESW

MISCELLANEOUS LISTING

ILLUS.	PART NO.	NAME OF PART	AMT.
PL-19893			
1	00-180029-00025	Lubriplate FP-150L (4 Oz.)	AR
2	00-180029-00026	Lubriplate FP-150L (32 Oz.)	AR
3	00-102973-00085	Lubriplate FMO-200-AW (2 Oz.)	AR
4	00-102973-00009	Factopure T70 Duoprime Oil (4 Oz.)	AR
5	00-102973-00073	Gearep #140 (16 Oz.) Mobil Gear 634	AR
6	00-102973-00074	Gearep #140 (32 Oz.) Mobil Gear 634	AR
7	00-512987	Loctite #222 Low Strength (Purple)	AR
8	00-520228	Loctite #242 Medium Strength (Blue)	AR
9	00-520478-00002	Dubois MPG2 (14 Oz.)	AR
10	00-547240	Cleaner (Blue Shower II)	AR
11	00-102714	Bottle Brush 18" Lg.	AR
12	00-041753	Pot Alignment Tool	AR
13	00-334073	Watershield 84 x 196	AR

ELECTRONIC STRETCH WRAPPER REPLACEMENT PARTS

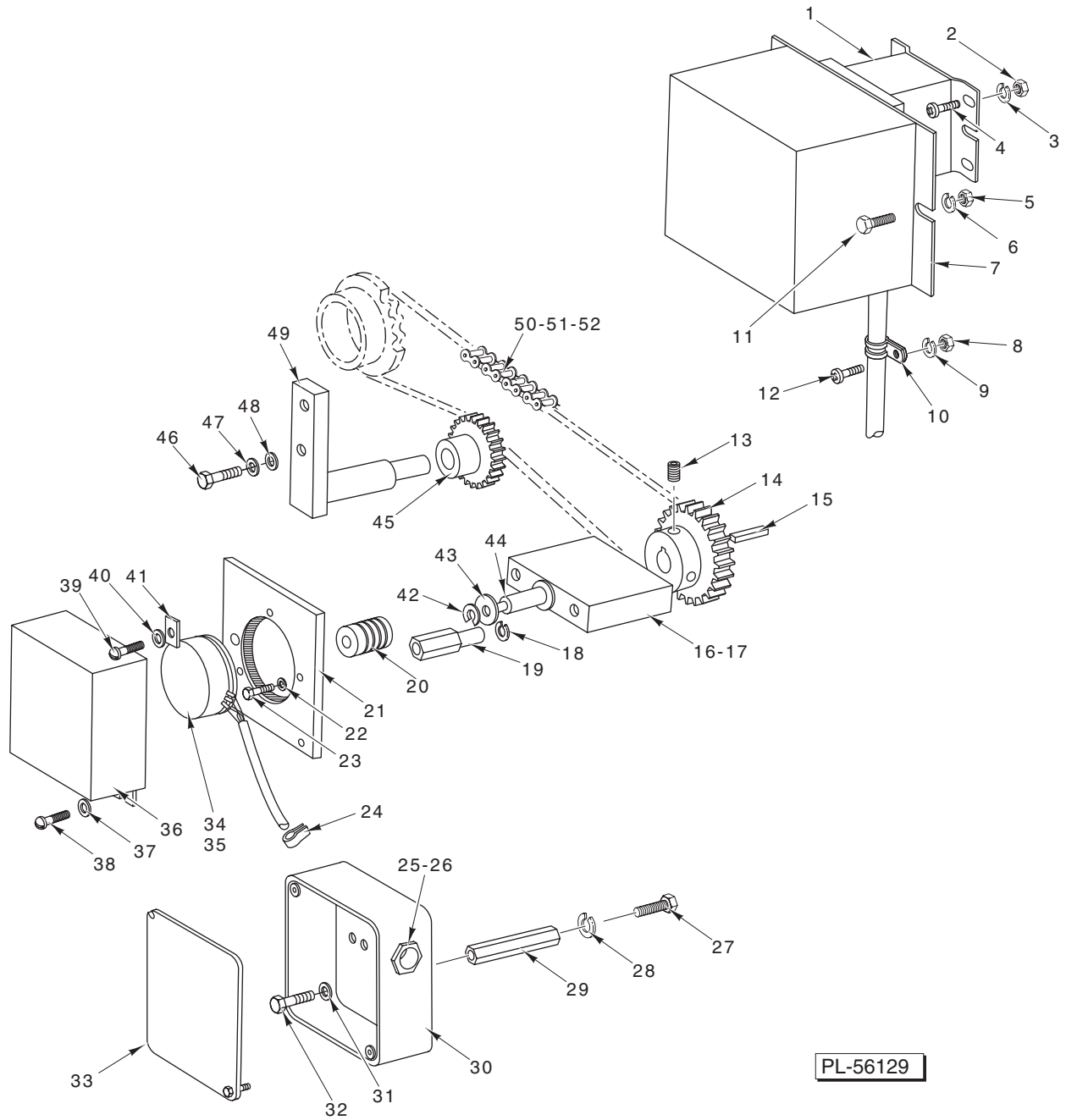


CONTROL BOX

ILLUS.	PART NO.	NAME OF PART	AMT.
PL-56076			
1	00-031355	Cable Tie	3
2	00-330968	Harness – Keyboard (Incls. Strain Relief) (ML-26369)	1
3	00-333489	Harness – Keyboard (Incls. Strain Relief) (ML-44025 & ML-44089)	1
4	SC-009-61	Mach. Screw 8-32 x 1/2 Rd. Hd.	2
5	WL-003-12	Lockwasher #8 Medium	2
6	SC-110-12	Cap Screw 1/4-20 x 5/8 Hex Hd.	4
7	WL-003-38	Lockwasher 1/4 Medium	4
8	NS-013-02	Mach. Nut 1/4-20 Hex	4
9	00-330651	Cover – Control Box	1
10	00-334521	Control Box	1
11	00-331540	Circuit Board Support	6
12	FE-006-17	Wire Nut	3
13	00-333725	Prom Kit (ID #254836-35) (ML-26369)	1
14	00-333852	Prom Kit (ID #254836-51) (ML-44025 & ML-44089)	1
15	00-331782-00003	Wrapper Control Board Assy. (Incls. Items 19 & 20)	1
16	00-330965	Harness – (Control Board To SSR Board)	1
17	00-333633	Transformer Assy. (T2)	1
18	00-330964-00001	Harness – Comp/MS8 Bd. Power	1
19	00-330918	Fuse (0.25) Amp.	1
20	FE-022-29	Fuse (1 Amp.)	1
21	SC-018-32	Mach. Screw 8-32 x 3/8 Pan Hd.	2
22	WL-008-07	Lockwasher #8 Internal Shakeproof	2
23	SC-018-32	Mach. Screw 8-32 x 3/8 Pan Hd.	2
24	00-330963	Filter	1

CONTROL BOX (Cont.)

ILLUS.	PART NO.	NAME OF PART	AMT.
	PL-56076		
25	00-130576-00001	Circuit Breaker	1
26	SC-018-50	Mach. Screw 6-32 x 1/4 Pan Hd.	2
27	WL-008-02	Lockwasher #6 Internal Shakeproof	2
28	00-331536	Varistor Assy.	1
29	00-331970	Relay – Solid State (K1) (115 VAC)	1
30	00-331961	Relay – Solid State (K2) (220 VAC)	1
31	FE-022-28	Fuse (1/2 Amp.) (F18) (ML-44025 & ML-44089)	1
32	FE-022-28	Fuse (1/2 Amp.) Slo-Blo	2
33	00-330917	Fuse (10 Amp.) Slo-Blo	1
34	SC-014-51	Mach. Screw 6-32 x 3/8 Flat Hd.	4
35	SC-018-32	Mach. Screw 8-32 x 3/8 Pan Hd.	1
36	WL-007-07	Lockwasher #8 External Shakeproof	1
37	00-331745-00001	Cable Assy. – Cross	1
38	00-331649-00001	Cable Assy. – Right	1
39	00-331982-00001	Cable Assy. – Contactor	1
40	00-331659-00001	Cable Assy. – Motor	1
41	FE-017-03	Fuse (2 Amp.) Slo-Blo	3
42	00-252256	Fuse Block	1
43	00-022376-00001	Fuse Holder	2
44	00-022376-00001	Fuse Holder (ML-44025 & ML-44089)	1
45	00-332222	Varistor Assy.	2
46	00-033881	Resistor	1
47	00-331969	Block Assy. – Terminal (TB4)	1
48	SC-018-50	Mach. Screw 6-32 x 1/4 Pan Hd.	2
49	WL-008-02	Lockwasher #6 Internal Shakeproof	2
50	WS-023-47	Washer	2
51	SC-018-34	Mach. Screw 8-32 x 1/2 Pan Hd.	2
52	SC-018-32	Mach. Screw 8-32 x 3/8 Pan Hd.	6
53	00-331774	Power Transistor Assy. (Q1) (Incls. Item 46)	1
54	00-331530	Spacer – 1 In. Long	4
55	SC-009-85	Mach. Screw 6-32 x 1 1/4 Pan Hd.	4
56	00-331970	Relay – Solid State (K3) (115 VAC)	1
57	00-332048-00001	Fuse – Subminiature (1 Amp.)	1
58	SC-009-64	Mach. Screw 6-32 x 1 Rd. Hd.	4
59	00-330929	Module – AC Input	1
60	00-332048-00005	Fuse – Subminiature (5 Amp.)	AR
61	00-332048-00001	Fuse – Subminiature (1 Amp.)	1
62	00-330945	Module – DC Output	2
63	00-332048-00002	Fuse – Subminiature (2 Amp.)	1
64	00-332220	Board – MS8 Triac Module (SSR) (Incls. Items 45, 57, 60, 61, 63, 65, & 67)	1
65	00-332048-00004	Fuse – Subminiature (4 Amp.)	1
66	00-330922	Module – AC Output	2
67	00-332048-00001	Fuse – Subminiature (1 Amp.)	1
68	00-330945	Module – DC Output	1
69	00-331825-00001	Cable Assy. – Left Side Bottom	1
70	00-331824-00001	Cable Assy. – Left Side Top	1
71	00-330971-00001	Harness – Solid State Relay (J1)	1
72	00-331779-00003	Cable (Control Board to Potentiometer) (J4)	1
73	00-330871	Connector – Friction Lock (4 Pos.)	1
74	00-331779-00002	Cable (Control Board to Left Center Junction Box) (J7)	1
75	00-331761	Connector – Friction Lock (5 Pos.)	1
76	00-331779-00004	Cable (Control Board to Wide Pack Sensor Board Left) (J3 to J12)	1
77	00-330927	Connector – Friction Lock (6 Pos.)	2
78	00-332914	Terminal – Crimp	AR
79	FE-006-49	Connector – Strain Relief	1
80	FE-006-07	Lock Nut 1/2	1



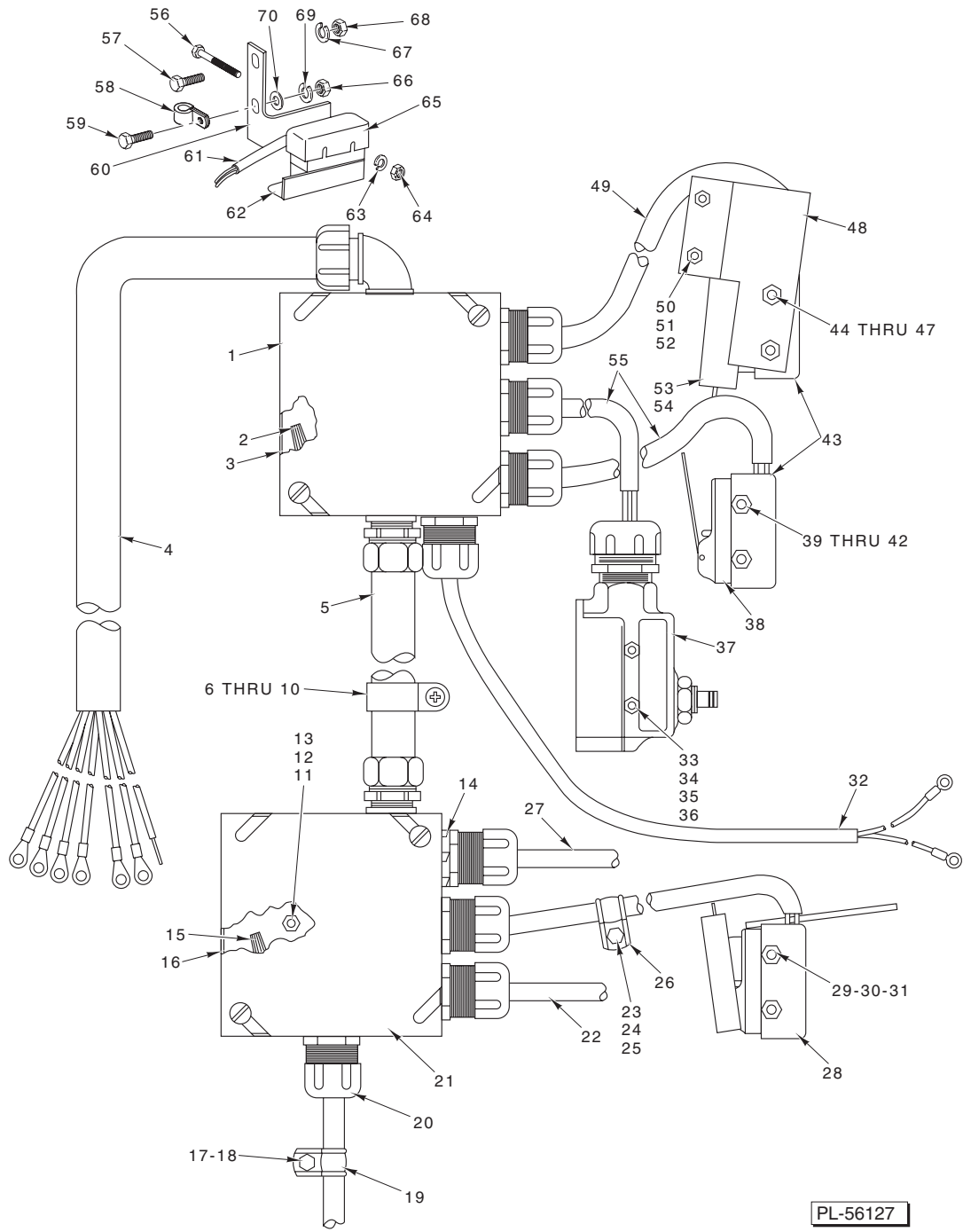
PL-56129

POTENTIOMETER, CONTACTOR, AND JUNCTION BOX

POTENTIOMETER, CONTACTOR, AND JUNCTION BOX

ILLUS. PL-56129	PART NO.	NAME OF PART	AMT.
1	00-087713-040-2	Contactors (KC1)	1
2	NS-009-30	Mach. Nut 10-32 Hex	2
3	WL-004-40	Lockwasher #10 Medium	2
4	SC-113-08	Mach. Screw 10-32 x 1/2 Pan Hd.	2
5	NS-013-02	Mach. Nut 1/4-20 Hex	2
6	WL-003-38	Lockwasher 1/4 Medium	2
7	00-331983	Cover – Contactor	1
8	NS-009-30	Mach. Nut 10-32 Hex	1
9	WL-004-40	Lockwasher #10 Medium	1
10	00-332045	Cable Clamp	1
11	SC-110-12	Cap Screw 1/4-20 x 5/8 Hex Hd.	2
12	SC-090-62	Mach. Screw 10-32 x 5/8 Pan Hd.	1
13	SC-047-72	Set Screw 1/4-20 x 3/8 Soc. Hdls., Cup Pt.	2
14	00-330268	Sprocket	1
15	00-087785	Key 1/8 x 1 Lg.	1
16	00-331292	Clock Drive Assy. (Incls. Items 13, 14, 15, 17, 42, 43, & 44)	1
17	00-331245	Timing Bearing Block Assy.	1
18	WL-004-06	Lockwasher 3/8 Medium	2
19	00-331301	Standoff – Clock	2
20	00-331350	Coupling – Flexible	1
21	00-331247	Plate – Clock Mounting	1
22	WL-003-38	Lockwasher 1/4 Medium	2
23	SC-110-12	Cap Screw 1/4-20 x 5/8 Hex Hd.	2
24	00-253363	Cable Clamp	1
25	FE-006-07	Lock Nut 1/2	1
26	FE-009-41	Nipple 1/2 Conduit	1
27	SC-110-12	Cap Screw 1/4-20 5/8 Hex Hd.	1
28	WL-003-38	Lockwasher 1/4 Medium	1
29	00-331823	Spacer – Junction Box	1
30	00-331827	Junction Box	1
31	WL-008-17	Lockwasher 1/4 Internal Shakeproof	1
32	SC-110-12	Cap Screw 1/4-20 x 5/8 Hex Hd.	1
33	FE-004-16	Cover	1
34	00-331779-00001	Harness – Control Board (Incls. Item 35)	1
35	00-044672	Potentiometer – 5K Clock	1
36	00-331294	Cover – Clock	1
37	WL-004-40	Lockwasher #10 Medium	2
38	SC-008-17	Mach. Screw 10-32 x 3/8 Rd. Hd.	2
39	SC-008-41	Mach. Screw 10-32 x 1/2 Rd. Hd.	3
40	WL-004-40	Lockwasher #10 Medium	3
41	00-331207	Clip – Clock	3
42	RR-011-05	Retaining Ring	1
43	WS-024-07	Washer	1
44	00-331244	Shaft – Clock	1
45	00-129980	Sprocket Assy.	1
46	SC-118-12	Cap Screw 3/8-16 x 3/4 Hex Hd.	2
47	WL-004-06	Lockwasher 3/8 Medium	2
48	WS-018-22	Washer	2
49	00-331615	Chain Adjustment Assy.	1
50	00-331307	Clock Chain	1
51	00-087165	Link – Connecting	1
52	00-127570	Link – Offset	1
	00-331293	Clock & Plate Assy. (Incls. Items 21, 34, 39, 40, & 41)	1
	00-331569	Chain Assy. (Incls. Items 50, 51, & 52)	1

ELECTRONIC STRETCH WRAPPER REPLACEMENT PARTS

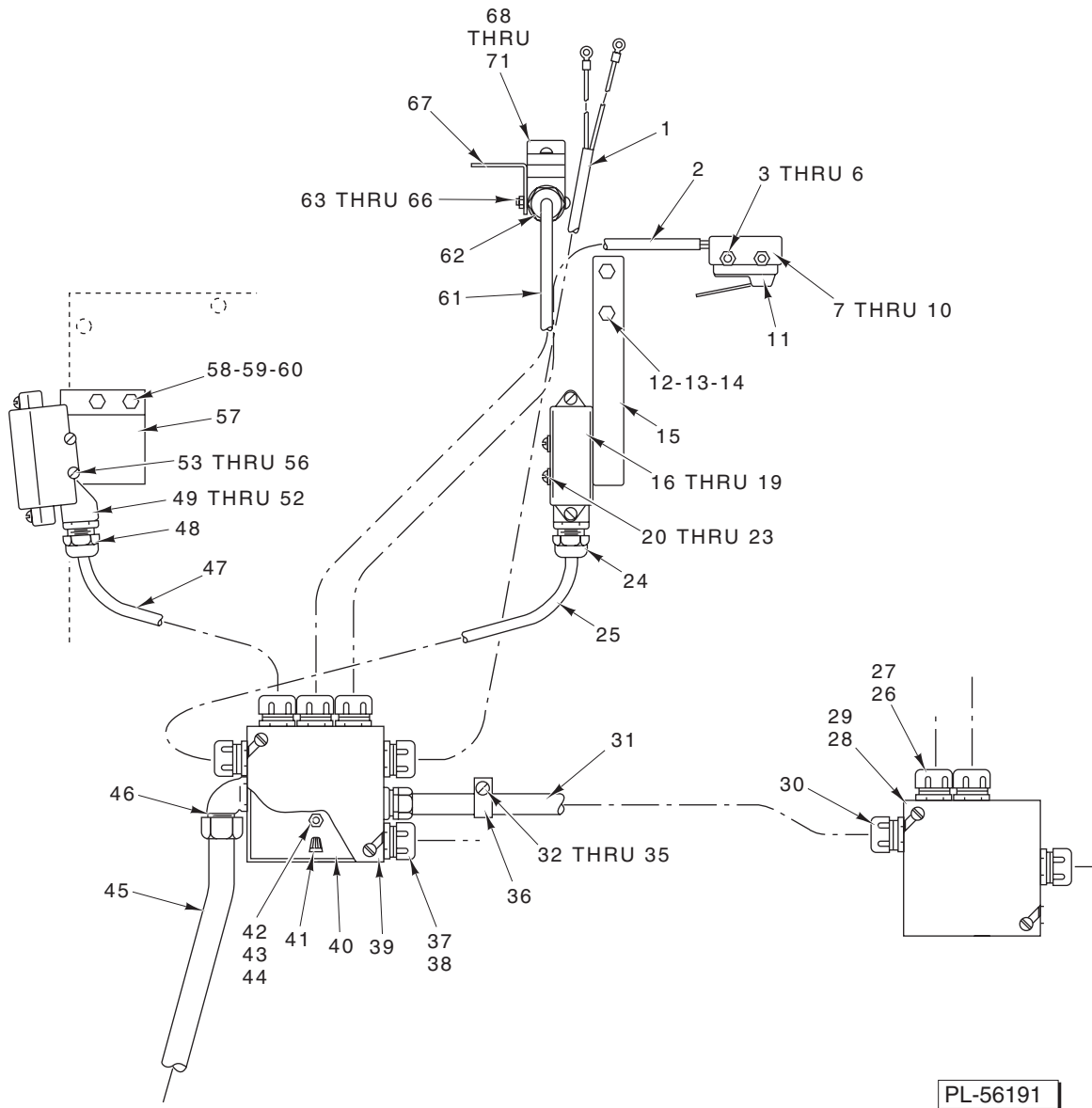


JUNCTION BOX AND SWITCH ASSEMBLY (RH) (ML-26369)

ILLUS.	PART NO.	NAME OF PART	AMT.
	PL-56127		
1	FE-004-16	Cover – Box	1
2	FE-006-29	Wire Nut	11
3	FE-013-11	Box – Junction	1
4	00-331745-00001	Cable Assy. – Cross (Ref. Control Box Assy.)	1
5	00-331649-00001	Cable Assy. – Right	1
6	00-332045	Clamp – Cable	1
7	SC-113-08	Mach. Screw 10-32 x ½ Phil. Pan Hd.	1
8	NS-009-30	Mach. Nut 10-32 Hex	1
9	WL-004-40	Lockwasher #10 Medium	1

JUNCTION BOX AND SWITCH ASSEMBLY (RH) (ML-26369) (Cont.)

ILLUS. PL-56127	PART NO.	NAME OF PART	AMT.
10	WS-019-06	Washer	1
11	NS-013-02	Mach. Nut 1/4-20 Hex	4
12	WL-003-38	Lockwasher 1/4 Medium	4
13	SC-036-13	Cap Screw 1/4-20 x 1/4 Hex Hd.	4
14	FE-006-07	Lock Nut 1/2	13
15	FE-006-29	Wire Nut	2
16	FE-013-11	Box – Junction	1
17	WS-022-10	Washer	1
18	NS-013-02	Mach. Nut 1/4-20 Hex	1
19	00-131402	Clamp – Cable	1
20	FE-006-31	Connector – Strain Relief (Heater Cord Assy.)	8
21	FE-004-16	Cover – Box	1
22	00-331726	Sleeve – Solenoid (RH Clamp)	1
23	SC-036-13	Cap Screw 1/4-20 x 3/4 Hex Hd.	1
24	WL-003-38	Lockwasher 1/4 Medium	1
25	NS-013-02	Mach. Nut 1/4-20 Hex	1
26	00-131402	Clamp – Wire	1
27	00-331726	Sleeve – Solenoid (Gripper)	1
28	00-331753	Safety Switch & Bracket Assy. (Right Side Cover)	1
29	SC-009-85	Mach. Screw 6-32 x 1 1/4 Rd. Hd.	2
30	WL-003-09	Lockwasher #6 Medium	2
31	NS-009-07	Mach. Nut 6-32 Hex	1
32	00-331972	Cord Assy. – Stop Switch	1
33	SC-081-43	Mach. Screw 6-32 x 1 1/2 Rd. Hd.	2
34	WS-023-15	Washer	2
35	WL-003-09	Lockwasher #6 Medium	2
36	NS-009-07	Mach. Nut 6-32 Hex	2
37	00-084747	Switch – Canopy	1
38	00-131932	Switch – Intake Safety	1
39	SC-009-85	Mach. Screw 6-32 x 1 1/4 Rd. Hd.	1
40	WL-003-09	Lockwasher #6 Medium	2
41	WS-023-15	Washer	2
42	NS-009-07	Mach. Nut 6-32 Hex	2
43	00-129666	Terminal Enclosure	2
44	SC-009-85	Mach. Screw 6-32 x 1 1/4 Rd. Hd.	2
45	WL-003-09	Lockwasher #6 Medium	2
46	WS-023-47	Washer	2
47	NS-009-07	Mach. Nut 6-32 Hex	2
48	00-331728	Bracket – Front Safety Switch	1
49	00-331826	Cord Assy.	1
50	SC-036-13	Cap Screw 1/4-20 x 3/4 Hex Hd.	2
51	WL-003-38	Lockwasher 1/4 Medium	2
52	NS-013-02	Mach. Nut 1/4-20 Hex	2
53	00-131932	Switch	1
54	00-331730	Guard – Safety Switch	1
55	00-331725	Cord Assy.	2
56	SC-009-85	Mach. Screw 6-32 x 1 1/4 Rd. Hd.	2
57	SC-036-13	Cap Screw 1/4-20 x 3/4 Hex Hd.	1
58	00-131402	Clamp – Cable	1
59	SC-036-13	Cap Screw 1/4-20 x 3/4 Hex Hd.	1
60	00-331729	Bracket – Side Safety Switch	1
61	00-331822	Cord – Safety Switch	1
62	00-331730	Guard – Safety Switch	1
63	WL-003-09	Lockwasher #6 Medium	2
64	NS-009-07	Mach. Nut 6-32 Hex	2
65	00-129666	Plastic Cover	1
66	NS-013-02	Mach. Nut 1/4-20 Hex	1
67	WL-003-38	Lockwasher 1/4 Medium	1
68	NS-013-02	Mach. Nut 1/4-20 Hex	1
69	WL-003-38	Lockwasher 1/4 Medium	1
70	WS-022-10	Washer	1

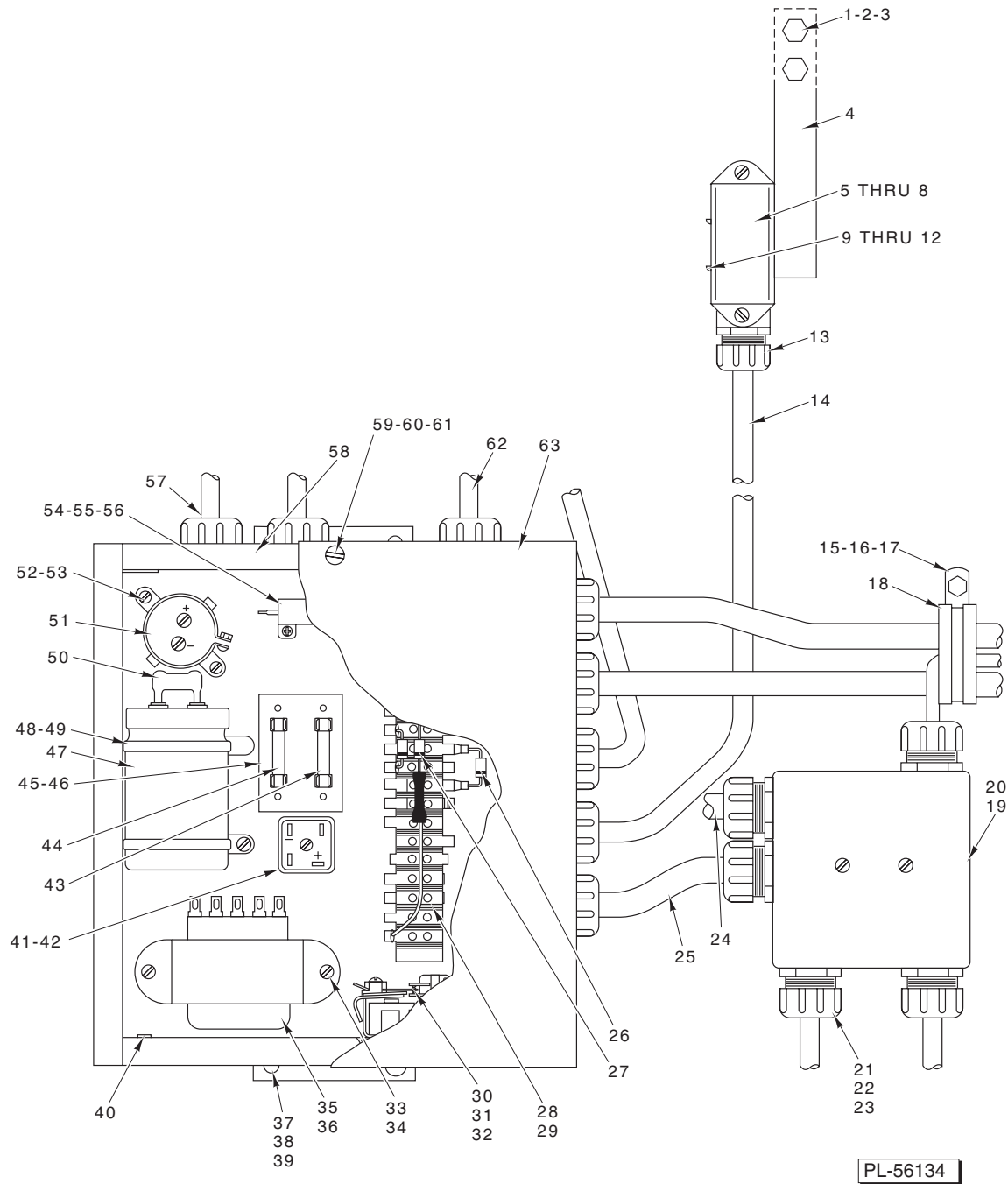


JUNCTION BOX AND SWITCH ASSEMBLY (RH) (ML-44025 & ML-44089)

ILLUS.	PART NO.	NAME OF PART	AMT.
PL-56191			
1	00-331972	Cord Assy. – Stop Switch	1
2	00-331725	Cord Assy. (60 In.)	1
3	SC-009-85	Mach. Screw 6-32 x 1 1/4 Rd. Hd.	2
4	WS-023-15	Washer	2
5	WL-003-09	Lockwasher #6 Medium	2
6	NS-009-07	Mach. Nut 6-32 Hex	2
7	00-331225	Bracket – Switch	2
8	00-129666	Terminal Closure	1
9	SC-008-41	Mach. Screw 10-32 x 1/2 Rd. Hd.	2

JUNCTION BOX AND SWITCH ASSEMBLY (RH) (ML-44025 & ML-44089) (Cont.)

ILLUS. PL-56191	PART NO.	NAME OF PART	AMT.
10	WL-004-40	Lockwasher #10 Medium	2
11	00-131932	Microswitch	1
12	SC-118-19	Cap Screw 1/4-20 x 3/4 Hex Hd.	2
13	WL-003-38	Lockwasher 1/4 Medium	2
14	NS-013-02	Mach. Nut 1/4-20 Hex	2
15	00-333396	Bracket – Reed Switch	1
16	00-288960-00002	Switch & Cover Assy.	1
17	00-288961-00002	Housing – Switch	1
18	00-288963	Gasket – Housing	1
19	SC-009-61	Mach. Screw 8-32 x 1/2 Rd. Hd.	2
20	SC-009-60	Mach. Screw 10-32 x 1 3/4 Rd. Hd.	2
21	WS-023-20	Washer	2
22	WL-004-40	Lockwasher #10 Medium	2
23	NS-009-30	Mach. Nut 10-32 Hex	2
24	FE-022-84	Strain Relief	1
25	00-333480	Cord Assy. (25 In.)	1
26	FE-022-84	Strain Relief	1
27	FE-006-07	Lock Nut 1/2	1
28	FE-013-11	Box – Junction	1
29	FE-004-16	Cover – Box	1
30	FE-008-34	Connector 3/8 Straight	1
31	00-333497-00001	Cable Assy.	1
32	SC-060-05	Mach. Screw 10-32 x 5/8 Rd. Hd.	1
33	WS-019-06	Washer	1
34	WL-004-40	Lockwasher #10 Medium	1
35	NS-009-30	Mach. Nut 10-32 Hex	1
36	00-332045	Clamp – Cable	1
37	FE-022-84	Strainer Relief	6
38	FE-006-07	Lock Nut 1/2	1
39	FE-004-16	Cover – Box	2
40	FE-013-11	Box – Junction	2
41	FE-006-29	Wire Nut	5
42	SC-118-19	Cap Screw 1/4-20 x 3/4 Hex Hd.	4
43	WL-003-38	Lockwasher 1/4 Medium	4
44	NS-013-02	Mach. Nut 1/4-20 Hex	1
45	00-331745-00001	Cable Assy.	1
46	FE-008-30	Connector 1/2 x 90 Deg.	1
47	00-333482	Cord Assy. (18 In.)	1
48	FE-022-84	Strain Relief	1
49	00-288960-00002	Switch & Cover Assy.	1
50	00-288961-00002	Housing – Switch	1
51	00-288963	Gasket – Housing	1
52	SC-009-61	Mach. Screw 8-32 x 1/2 Rd. Hd.	2
53	SC-009-60	Mach. Screw 10-32 x 1 3/4 Rd. Hd.	2
54	WS-023-30	Washer	2
55	WL-004-40	Lockwasher #10 Medium	2
56	NS-009-30	Mach. Nut 10-32 Hex	2
57	00-333395	Bracket – Front Switch	1
58	SC-118-19	Cap Screw 1/4-20 x 3/4 Hex Hd.	2
59	WL-003-38	Lockwasher 1/4 Medium	2
60	NS-013-02	Mach. Nut 1/4-20 Hex	2
61	00-333481	Cord Assy. (47 in.)	1
62	FE-022-84	Strain Relief	1
63	SC-009-60	Mach. Screw 10-32 x 1 3/4 Rd. Hd.	2
64	WS-023-20	Washer	2
65	WL-004-40	Lockwasher #10 Medium	2
66	NS-009-30	Mach. Nut 10-32 Hex	2
67	00-333394	Mount – Canopy Switch	1
68	00-288960-00002	Switch & Cover Assy.	1
69	00-288961-00002	Housing – Switch	1
70	00-288963	Gasket – Switch	1
71	SC-009-61	Mach. Screw 8-32 x 1/2 Rd. Hd.	2



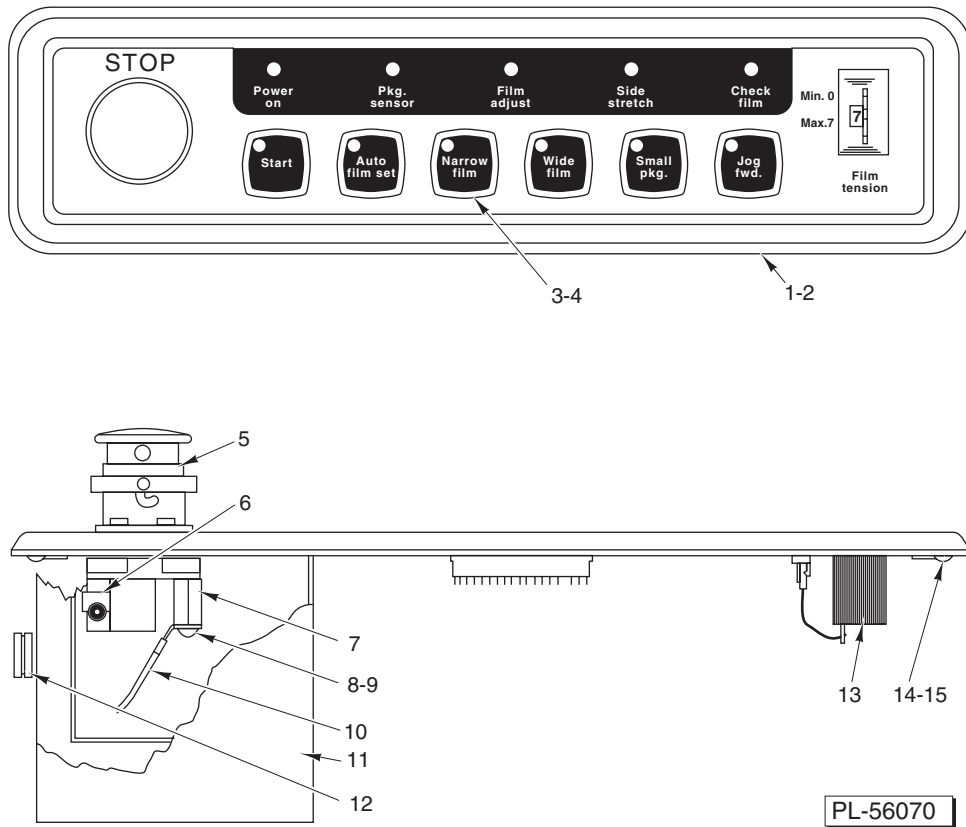
PL-56134

JUNCTION BOX AND SWITCH ASSEMBLY (LH)

ILLUS.	PART NO.	NAME OF PART	AMT.
PL-56134			
1	SC-118-19	Cap Screw 1/4-20 x 3/4 Hex Hd. (ML-44025 & ML-44089)	2
2	WL-003-38	Lockwasher 1/4 Medium (ML-44025 & ML-44089)	2
3	NS-013-02	Mach. Nut 1/4-20 Hex (ML-44025 & ML-44089)	2
4	00-333396	Bracket – Reed Switch (ML-44025 & ML-44089)	1
5	00-288960-00002	Switch & Cover Assy. (ML-44025 & ML-44089)	1
6	00-288961-00002	Housing – Switch (ML-44025 & ML-44089)	1
7	00-288963	Gasket – Housing (ML-44025 & ML-44089)	1

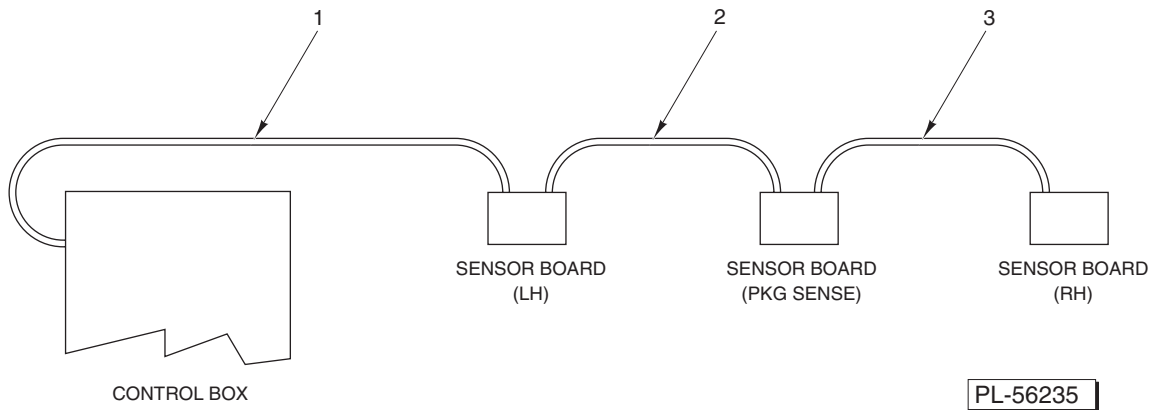
JUNCTION BOX AND SWITCH ASSEMBLY (LH) (Cont.)

ILLUS.	PART NO.	NAME OF PART	AMT.
PL-56134			
8	SC-009-61	Mach. Screw 8-32 x 1/2 Rd. Hd. (ML-44025 & ML-44089)	2
9	SC-009-60	Mach. Screw 10-32 x 1 3/4 Rd. Hd. (ML-44025 & ML-44089)	2
10	WS-023-20	Washer (ML-44025 & ML-44089)	2
11	WL-004-40	Lockwasher #10 Medium (ML-44025 & ML-44089)	2
12	NS-009-30	Mach. Nut 10-32 Hex (ML-44025 & ML-44089)	2
13	FE-022-84	Strain Relief (ML-44025 & ML-44089)	1
14	00-333480	Cord Assy. (ML-44025 & ML-44089)	1
15	SC-110-12	Cap Screw 1/4-20 x 5/8 Hex Hd.	2
16	WL-003-38	Lockwasher 1/4 Medium	2
17	NS-013-02	Mach. Nut 1/4-20 Hex	2
18	00-331817	Conduit Clamp	2
19	FE-013-11	Box – Junction	1
20	FE-004-16	Cover – Blank	1
21	FE--006-31	Connector – Strain Relief (ML-26369)	AR
22	FE-022-84	Strain Relief (ML-44025 & ML-44089)	AR
23	FE-006-07	Lock Nut 1/2	1
24	00-331776-00001	Harness Assy. Transducer/Dancing Roller	1
25	00-331722	Cable – Limit Switches	1
26	00-331543	Diode Terminal Assy.	2
27	00-331544	Diode Terminal Assy.	1
28	00-131103	Block – Terminal	1
29	SC-009-66	Mach. Screw 6-32 x 7/16 Rd. Hd.	2
30	00-331685	Relay	1
31	SC-009-79	Mach. Screw 6-32 x 5/16 Rd. Hd.	2
32	WL-008-02	Lockwasher #6 Medium	2
33	SC-009-82	Mach. Screw 8-32 x 5/16 Rd. Hd.	2
34	WL-008-07	Lockwasher #8 Internal Shakeproof	2
35	00-333650	Transformer Assy.	1
36	00-333617	Transformer Assy. Kit (ML-26369)	1
37	SC-110-12	Cap Screw 1/4-20 x 5/8 Hex Hd.	4
38	WL-003-38	Lockwasher 1/4 Medium	4
39	NS-013-02	Mach. Nut 1/4-20 Hex	4
40	FE-021-26	Bushing – Control Box	1
41	00-331526	Rectifier – Bridge	1
42	SC-027-31	Mach. Screw 8-32 x 5/8 Rd. Hd.	1
43	FE-023-25	Fuse (5 Amp.) Slo-Blo	1
44	FE-017-03	Fuse (2 Amp.) Slo-Blo	1
45	00-030827	Fuse Holder	1
46	SC-013-26	Mach. Screw 8-32 x 3/8 Flat Hd.	2
47	00-331524	Capacitor	1
48	00-131988	Tie – Cable (Capacitor Clamp)	2
49	SC-009-82	Mach. Screw 8-32 x 5/16 Rd. Hd.	2
50	00-331537	Resistor Assy.	1
51	00-330939	Capacitor	1
52	00-330973	Bracket – Capacitor	1
53	SC-009-79	Mach. Screw 6-32 x 5/16 Rd. Hd.	2
54	00-331553-00001	Resistor – Terminal Assy.	1
55	SC-113-10	Mach. Screw 4-40 x 3/8 Phil. Hd.	2
56	NS-044-01	Mach. Nut 4-40 KEPS	2
57	00-331423	Sleeve – Solenoid 13 In.	2
58	00-331380	Junction Box	1
59	SC-009-61	Mach. Screw 8-32 x 1/2 Rd. Hd.	2
60	00-086878	Nut – Timmerman 8-32	2
61	WL-003-12	Lockwasher #8 Medium	2
62	00-331726	Sleeve – Solenoid 18 In.	1
63	00-331381	Cover	1



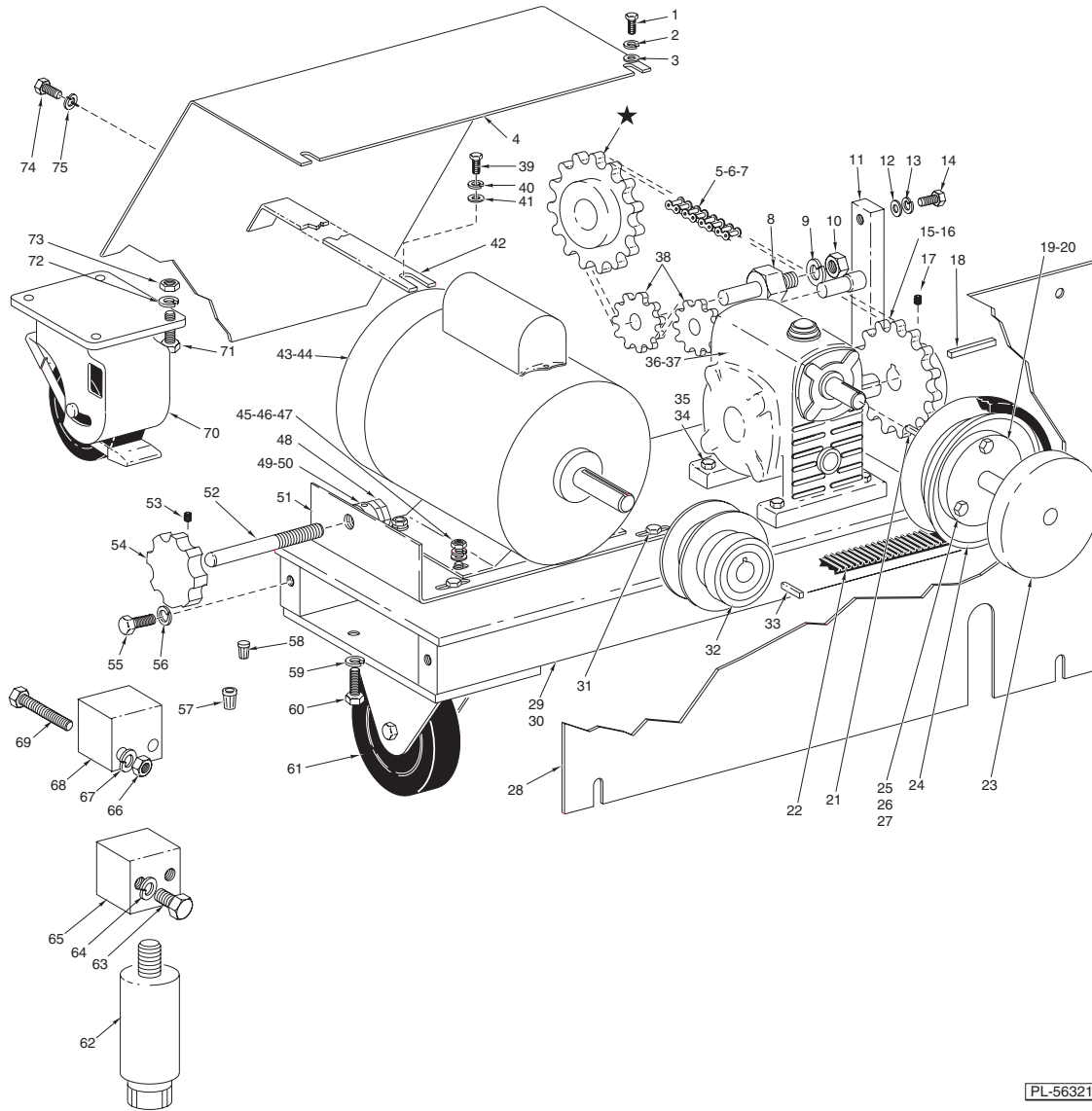
CONTROL PANEL KEYBOARD

ILLUS.	PART NO.	NAME OF PART	AMT.
PL-56070			
1	00-331948	Bezel – Control Panel (Cream) (ML-26369 & ML-44025)	1
2	00-043935	Bezel – Control Panel (Gray) (ML-44089)	1
3	00-046398	Board & Switch Assy. (Cream) (ML-26369 & ML-44025)	1
4	00-043940	Board & Switch Assy. (Gray) (ML-44089)	1
5	00-258379	Switch – Push Button Stop	1
6	00-334777	Contact Block Assy.	1
7	00-332033	Standoff – Grounding	1
8	WL-007-12	Lockwasher #10 External Shakeproof	1
9	SC-008-17	Mach. Screw 10-32 x 3/8 Rd. Hd.	1
10	00-332034	Wire Assy. – Switch Ground	1
11	00-331979	Cover – Panel Switch	1
12	00-332035	Bushing	1
13	00-330961-00001	Switch – Thumb Wheel Assy.	1
14	WS-023-47	Washer	2
15	SD-015-37	Self-Tapping Screw 6-32 x 1/4 Pan Hd. (Taptite)	2



CABLES

ILLUS.	PART NO.	NAME OF PART	AMT.
PL-56235			
1	00-331779-00004	Harness Assy. (Control Board) (32 In. Lg.)	1
2	00-331549	Harness Assy. (Left Wide Board) (16 In. Lg.)	1
3	00-331550	Harness Assy. (Right Wide Board) (32 In. Lg.)	1
	00-332914	Terminal (Gold Plugs) (J3, J12, J13, J14, J15, & J16) (Not Shown)	AR

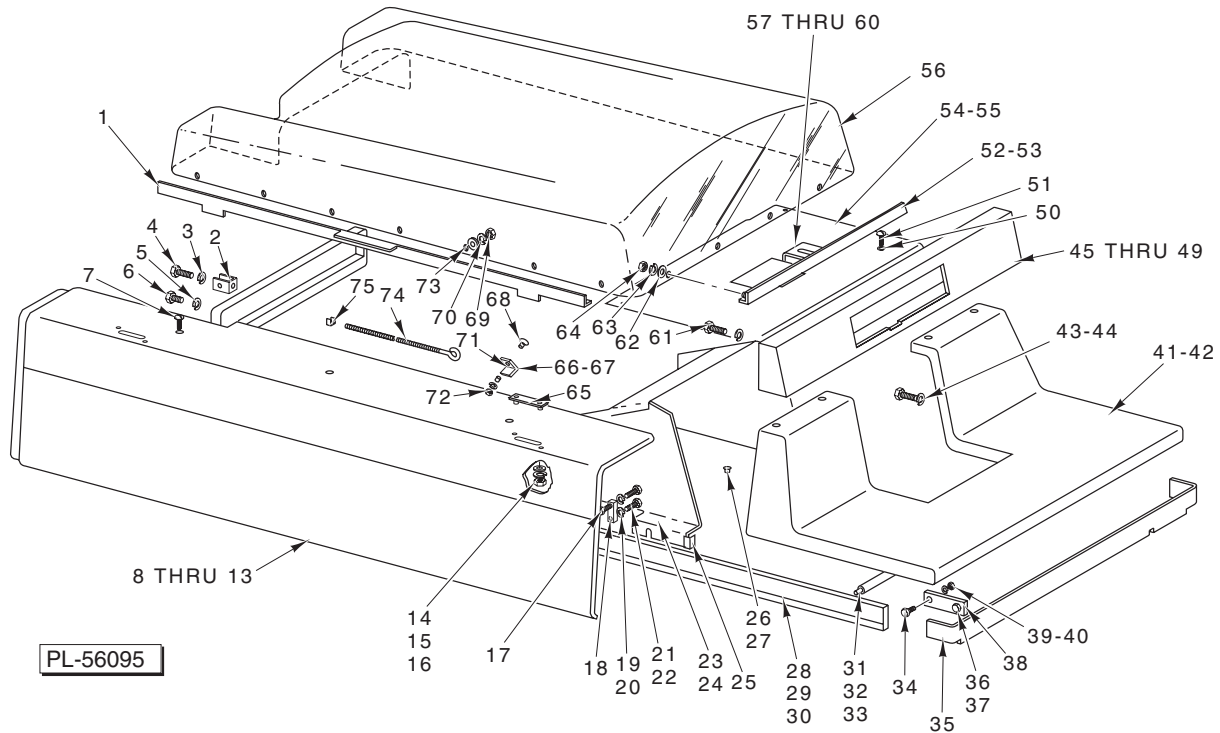


MOTOR AND CASTER

ILLUS.	PART NO.	NAME OF PART	AMT.
PL-56321			
1	SC-041-50	Cap Screw 1/4-20 x 1 Hex Hd.	2
2	WL-006-17	Lockwasher 1/4 Medium	2
3	WL-003-49	Washer	2
4	00-333143	Cover – Motor	1
5	00-047788	Chain – Main Drive (ML-44025 & ML-44089)	1
6	00-330033	Chain – Reducer Drive (ML-26369)	1
7	00-044784	Connecting Link #40	1
8	00-333676	Stud – Idler (ML-44025 & ML-44089)	1
9	WL-004-11	Lockwasher 1/2 Medium	1
10	NS-013-33	Nut 1/2-13 Hex	1
11	00-330241	Chain Adjustment Assy.	1
12	WS-018-22	Washer	2

MOTOR AND CASTER (Cont.)

ILLUS. PL-56321	PART NO.	NAME OF PART	AMT.
13	WL-004-06	Lockwasher $\frac{3}{8}$ Medium	2
14	SC-118-12	Cap Screw $\frac{3}{8}$ -16 x $\frac{3}{4}$ Hex Hd.	2
15	00-333472	Sprocket – Reducer (26T) ($\frac{7}{4}$ Dia. Shaft Hole) (ML-44025 & ML-44089)	1
16	00-330612	Sprocket – Reducer (26T) ($\frac{7}{8}$ Dia. Shaft Hole) (ML-26369)	1
17	SC-075-15	Set Screw $\frac{5}{16}$ -18 x $\frac{3}{8}$	2
18	00-087789	Key $\frac{3}{16}$ x 1 Lg.	1
19	00-332363	Hand Wheel Assy.	1
20	SC-075-15	Set Screw $\frac{5}{16}$ -18 x $\frac{3}{8}$ Soc. Hdls., Cup Pt.	2
21	00-087789	Key $\frac{3}{16}$ x 1 Lg.	1
22	00-128749	Belt – Motor	1
23	00-332368	Handwheel Assy. (Incls. Items 19, 20, & 24 thru 27)	1
24	00-332367	Pulley	1
25	SC-068-31	Mach. Screw 10-32 x $\frac{3}{4}$ Hex Hd.	3
26	WL-004-40	Lockwasher #10 Medium	3
27	NS-009-30	Nut 10-32 Hex	3
28	00-334150	Shield – Motor	1
29	00-334635	Plate – Mounting Assy. (ML-44025 & ML-44089)	1
30	00-330400	Plate – Mounting Assy. (ML-26369)	1
31	00-332936	Screw – Motor Mounting	4
32	00-084717	Pulley – Variable	1
33	00-125162	Key $\frac{3}{16}$ x 1 $\frac{3}{8}$ Lg.	1
34	SC-118-01	Cap Screw $\frac{3}{8}$ -24 x 1 $\frac{1}{4}$ Hex Hd.	4
35	WL-004-06	Lockwasher $\frac{3}{8}$ Medium	4
36	00-333447	Reducer – Gear (ML-44025 & ML-44089)	1
37	00-331765	Reducer – Gear (ML-26369)	1
38	00-129967	Sprocket & Bearing Assy.	2
39	SC-118-20	Cap Screw $\frac{1}{4}$ -20 x $\frac{1}{2}$ Hex Hd.	1
40	WL-003-38	Lockwasher $\frac{1}{4}$ Medium	1
41	WS-017-25	Washer	1
42	00-332516	Brace – Motor Cover	1
43	00-046863	Motor ($\frac{1}{3}$ Hp. 115/208-230 V.)	1
44	00-331659-00001	Cable Assy. – Motor (Not Shown)	1
45	WS-018-09	Washer	4
46	WL-006-23	Lockwasher $\frac{5}{16}$ Medium	4
47	NS-015-11	Mach. Nut $\frac{5}{16}$ -18 Hex	4
48	NS-013-33	Mach. Screw $\frac{1}{2}$ -13 Hex	2
49	00-131842	Steel Collar	1
50	SC-047-75	Set Screw $\frac{1}{4}$ -20 x $\frac{1}{4}$ Soc. Hdls., Cup Pt.	1
51	00-125806	Motor Base W/Screw & Washers	1
52	00-330067	Screw – Motor Adjusting	1
53	SC-047-75	Set Screw $\frac{1}{4}$ -20 x $\frac{1}{4}$ Soc. Hdls., Cup Pt.	1
54	00-129150	Wheel – Hand	4
55	SC-118-12	Cap Screw $\frac{3}{8}$ -16 x $\frac{3}{4}$ Hex Hd.	4
56	WL-004-06	Lockwasher $\frac{3}{8}$ Medium	4
57	FE-006-29	Wire Nut	1
58	FE-006-17	Wire Nut	3
59	WL-004-06	Lockwasher $\frac{3}{8}$ Medium	8
60	SC-118-02	Cap Screw $\frac{3}{8}$ -24 x $\frac{3}{4}$ Hex Hd.	8
61	00-044980	Caster	2
62	00-330866	Leg – Adjustable	4
63	SC-117-97	Cap Screw $\frac{1}{2}$ -13 x 1 Hex Hd.	4
64	WL-004-11	Lockwasher $\frac{1}{2}$ Medium	4
65	00-330867	Block – Leg Mounting (Rear)	2
66	NS-009-43	Mach. Nut $\frac{3}{8}$ -16 Hex	4
67	WL-004-06	Lockwasher $\frac{3}{8}$ Medium	4
68	00-330865	Block – Leg Mounting (Front)	2
69	SC-118-21	Cap Screw $\frac{3}{8}$ -16 x 3 Hex Hd.	4
70	00-044981	Caster with Brake	1
71	SC-118-10	Cap Screw $\frac{3}{8}$ -16 x 1 Hex Hd.	4
72	WL-004-06	Lockwasher $\frac{3}{8}$ Medium	4
73	NS-009-43	Mach. Nut $\frac{3}{8}$ -16 Hex	4
74	SC-116-32	Cap Screw 10-32 x $\frac{3}{8}$ Hex Hd.	1
75	WL-004-40	Lockwasher #10 Medium	1

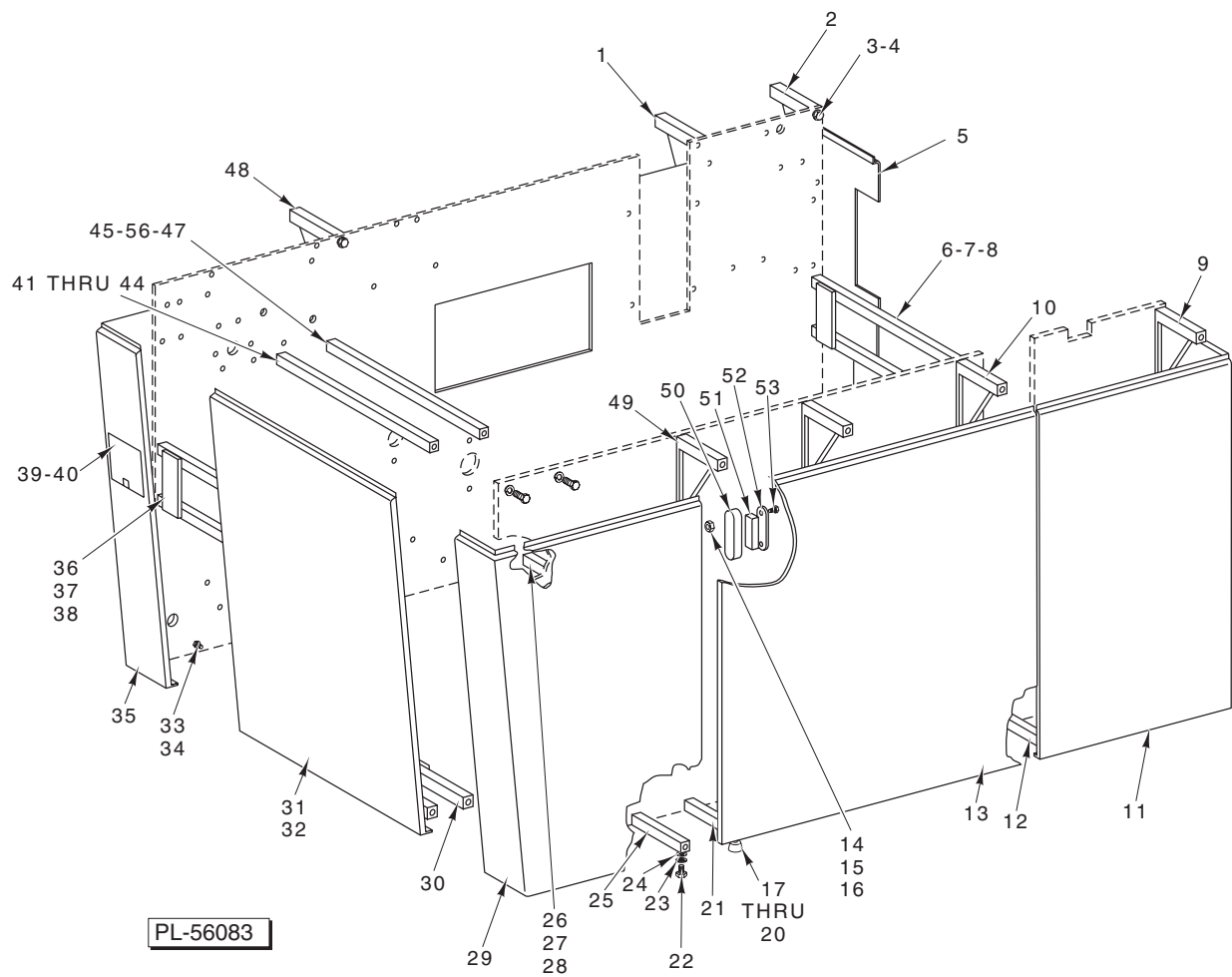


TOP PANEL

ILLUS.	PART NO.	NAME OF PART	AMT.
PL-56095			
1	00-334164	Locating Strip – Cover	2
2	00-334197	Bracket – Mounting (ML-44025 & ML-44089)	1
3	WL-003-38	Lockwasher 1/4 Mounting	1
4	SC-118-17	Cap Screw 1/4-20 x 1 1/4 Hex Hd.	1
5	WL-003-38	Lockwasher 1/4 Medium	2
6	SC-118-18	Cap Screw 1/4-20 x 7/8 Hex Hd.	2
7	00-331890	Nylok Screw – Special	4
8	00-333425	Panel (LH) (Cream) (ML-26369 & ML-44025)	1
9	00-184795	Panel & Logo Assy. (LH) (Gray) (ML-44089) (Incls. Item 13)	1
10	00-331901	Panel (RH) (Cream) (ML-26369 & ML-44025)	1
11	00-184796	Panel & Logo Assy. (RH) (Gray) (ML-44089) (Incls. Item 13)	1
12	00-117859-00002	Logo – Hobart	1
13	00-333648	Decal – Film Mizer (ML-44025 & ML-44089)	AR

TOP PANEL (Cont.)

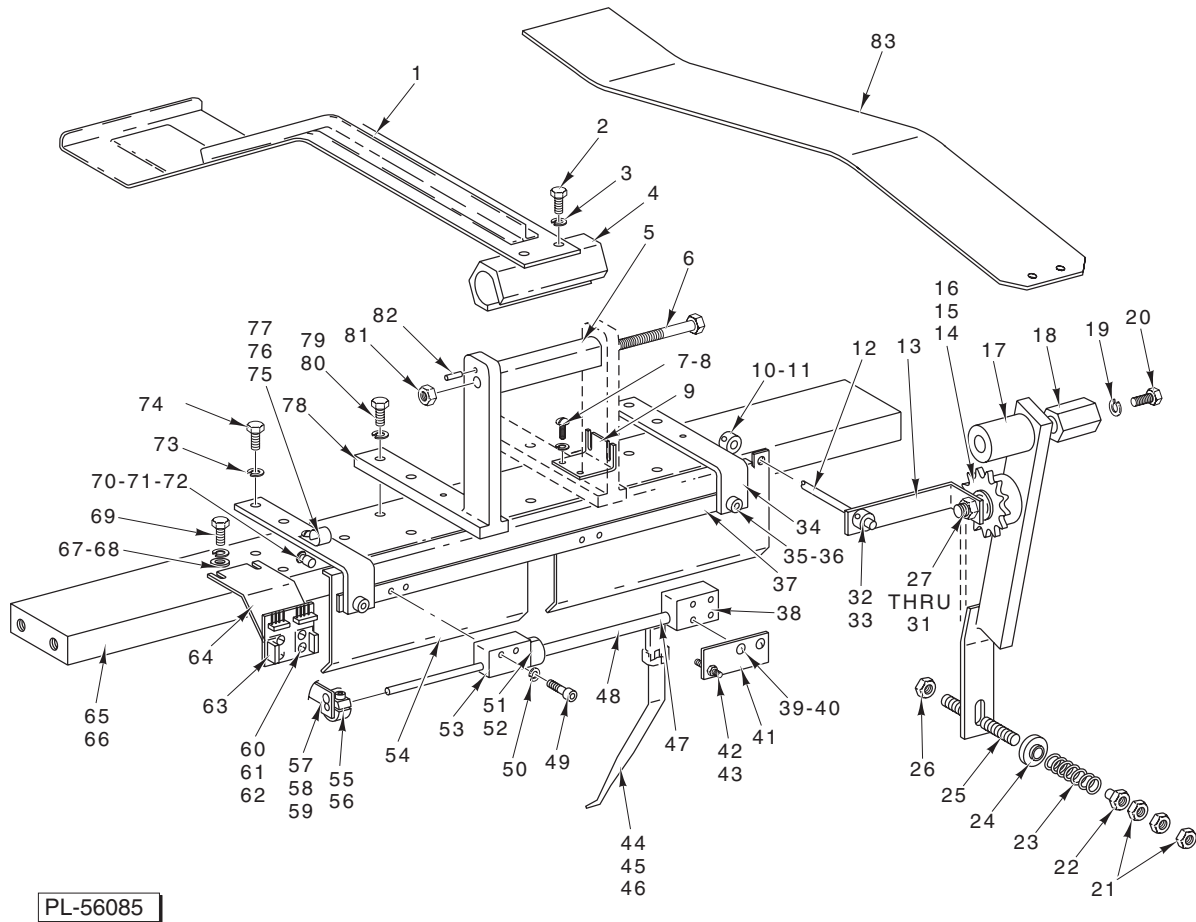
ILLUS.	PART NO.	NAME OF PART	AMT.
PL-56095			
14	WS-023-48	Washer	8
15	WL-003-12	Lockwasher #8 Medium	8
16	NS-009-12	Mach. Nut 8-32 Hex	8
17	SC-117-91	Cap Screw 1/4-20 x 1 Hex Hd.	4
18	00-331640	Block – Mounting Strip	4
19	WL-003-38	Lockwasher 1/4 Medium	4
20	SC-118-18	Cap Screw 1/4-20 x 7/8 Hex Hd.	4
21	WL-003-38	Lockwasher 1/4 Medium	4
22	NS-013-02	Mach. Nut 1/4-20 Hex	4
23	00-334167	Intake Shield (ML-44025 & ML-44089)	1
24	00-331896	Intake Shield (ML-26369)	1
25	00-332933	Clip – Speed	6
26	WL-007-07	Lockwasher #8 External Shakeproof	2
27	SC-018-13	Mach. Screw 8-32 x 1/4 Pan Hd.	2
28	00-333445	Strip – Mounting (LH)	1
29	00-333444	Strip – Mounting (RH)	1
30	00-333446	Spacer	2
31	00-331637	Spacer – Mounting Strip	2
32	WL-004-06	Lockwasher 3/8 Medium	2
33	SC-118-11	Cap Screw 3/8-16 x 7/8 Hex Hd.	2
34	SC-118-19	Cap Screw 1/4-20 x 3/4 Hex Hd.	4
35	00-333443	Strip – Front Cover	1
36	SC-118-20	Cap Screw 1/4-20 x 1/2 Hex Hd.	2
37	WL-003-38	Lockwasher 1/4 Medium	2
38	00-331639	Bracket – Mounting Strip	2
39	WL-003-38	Lockwasher 1/4 Medium	4
40	NS-013-02	Mach. Nut 1/4-20 Hex	4
41	00-333009	Housing – Intake End (Cream) (ML-26369 & ML-44025)	1
42	00-184809-00001	Housing – Intake End (Gray) (ML-44089)	1
43	SC-118-17	Cap Screw 1/4-20 x 1 1/4 Hex Hd.	2
44	WL-003-38	Lockwasher 1/4 Medium	2
45	00-331897	Control Panel (Cream) (ML-26369 & 44025)	1
46	WS-017-25	Washer	8
47	WL-003-38	Lockwasher 1/4 Medium	4
48	SC-118-19	Cap Screw 1/4-20 x 3/4 Hex Hd.	4
49	00-184808-00001	Control Panel (Gray) (ML-44089)	1
50	SD-033-27	Self-Tapping Screw 6-19 x 5/8 Phil. Pan Hd.	4
51	WS-028-20	Washer	4
52	00-334953	Cover Strip Assy. (ML-44025 & ML-44089)	1
53	00-331893	Cover Strip Assy. (ML-26369)	1
54	00-334629	Warning Plate & Cover Assy. (ML-44025 & ML-44089)	1
55	00-331998	Warning Plate & Cover Assy. (ML-26369)	1
56	00-334950	Canopy	1
57	00-288454-00002	Retainer – Magnet	1
58	00-119057	Magnet	1
59	00-119300	Gasket – Magnet	1
60	SD-009-41	Self-Tapping Screw 8-32 x 3/8 Phil. Pan Hd., Type F	2
61	SC-118-16	Cap Screw 1/4-20 x 1 3/8 Hex Hd.	4
62	WS-023-22	Washer	4
63	WL-003-12	Lockwasher #8 Medium	4
64	NS-009-12	Mach. Nut 8-32 Hex	4
65	00-334796	Canopy Pivot Assy.	8
66	00-334163	Mount – Cover Prop	4
67	00-331890	Screw – Nyllok	4
68	SC-060-05	Mach. Screw 10-32 x 5/8 Rd. Hd.	4
69	NS-009-12	Mach. Nut 8-32 Hex	14
70	WL-003-12	Lockwasher #8 Medium	14
71	00-330796	Spacer – Cover Prop	2
72	NS-011-23	Mach. Nut 10-32 Hex	2
73	WS-023-22	Washer	14
74	00-330794	Prop – Cover	2
75	00-334198	Clip – Cover Prop	2
	00-334650	Counter (ML-44025 & ML-44089)	1



LOWER PANEL

LOWER PANEL

ILLUS.	PART NO.	NAME OF PART	AMT.
PL-56083			
1	00-330511	Spacer	1
2	00-330805	Spacer (LH)	1
3	SC-118-12	Cap Screw $\frac{3}{8}$ -16 x $\frac{3}{4}$ Hex Hd.	7
4	WL-004-06	Lockwasher $\frac{3}{8}$ Medium	7
5	00-334162	Panel Assy. (LH) Rear	1
6	00-043002	Spacer – Rear	1
7	SC-118-12	Cap Screw $\frac{3}{8}$ -16 x $\frac{3}{4}$ Hex Hd.	4
8	WL-004-06	Lockwasher $\frac{3}{8}$ Medium	4
9	00-330894	Spacer – Mach. (RH)	1
	00-330511	Spacer	2
11	00-334161	Panel Assy. (RH) Rear	1
12	00-330462	Spacer – Cover Bottom	6
13	00-334144	Middle Side Panel Assy.	2
14	SC-118-09	Cap Screw $\frac{3}{8}$ -16 x $1\frac{1}{4}$ Hex Hd.	7
15	WL-004-06	Lockwasher $\frac{3}{8}$ Medium	7
16	NS-009-43	Mach. Nut $\frac{3}{8}$ -16 Hex	7
17	WL-003-38	Lockwasher $\frac{1}{4}$ Medium	6
18	00-332998	Knob	6
19	WS-017-25	Washer	6
20	NS-032-08	Stop Nut $\frac{1}{4}$ -20 Flex Loc	6
21	00-330462	Spacer – Cover Bottom	4
22	SC-110-12	Cap Screw $\frac{1}{4}$ -20 x $\frac{5}{8}$ Hex Hd.	8
23	WL-003-38	Lockwasher $\frac{1}{4}$ Medium	8
24	WS-017-25	Washer	8
25	00-333896	Spacer – Bottom Cover	2
26	00-330038	Spacer – Front Wall	1
27	SC-118-12	Cap Screw $\frac{3}{8}$ -16 x $\frac{3}{4}$ Hex Hd.	2
28	WL-004-06	Lockwasher $\frac{3}{8}$ Medium	2
29	00-334168	Front Corner Cover Assy. (RH)	1
30	00-330248	Caster Mounting Assy.	1
31	00-334147	Cover Assy. – Mid Front (ML-44025 & ML-44089)	1
32	00-331650	Cover Assy. – Mid Front (ML-26369)	1
33	SC-118-12	Cap Screw $\frac{3}{8}$ -16 x $\frac{3}{4}$ Hex Hd.	4
34	WL-004-06	Lockwasher $\frac{3}{8}$ Medium	4
35	00-441775	Front Corner Cover Assy. (LH)	1
36	00-042999	Spacer – Front	1
37	SC-118-12	Cap Screw $\frac{3}{8}$ -16 x $\frac{3}{4}$ Hex Hd.	4
38	WL-004-06	Lockwasher $\frac{3}{8}$ Medium	4
39	00-330680	Door	1
40	00-087653	Spring	2
41	00-331435	Spacer – Top Front	1
42	WS-018-22	Washer	2
43	WL-004-06	Lockwasher $\frac{3}{8}$ Medium	2
44	SC-118-12	Cap Screw $\frac{3}{8}$ -16 x $\frac{3}{4}$ Hex Hd.	2
45	00-330127	Spacer – Intake Pan	1
46	WL-004-06	Lockwasher $\frac{3}{8}$ Medium	2
47	SC-118-12	Cap Screw $\frac{3}{8}$ -16 x $\frac{3}{4}$ Hex Hd.	4
48	00-330804	Spacer	1
49	00-332358	Spacer	1
50	00-288454-00002	Retainer – Magnet	2
51	00-119057	Magnet – Switch	2
52	00-119300	Gasket – Magnet Retainer	2
53	SD-009-41	Self-Tapping Screw 8-32 x $\frac{3}{8}$ Pan Hd.	4



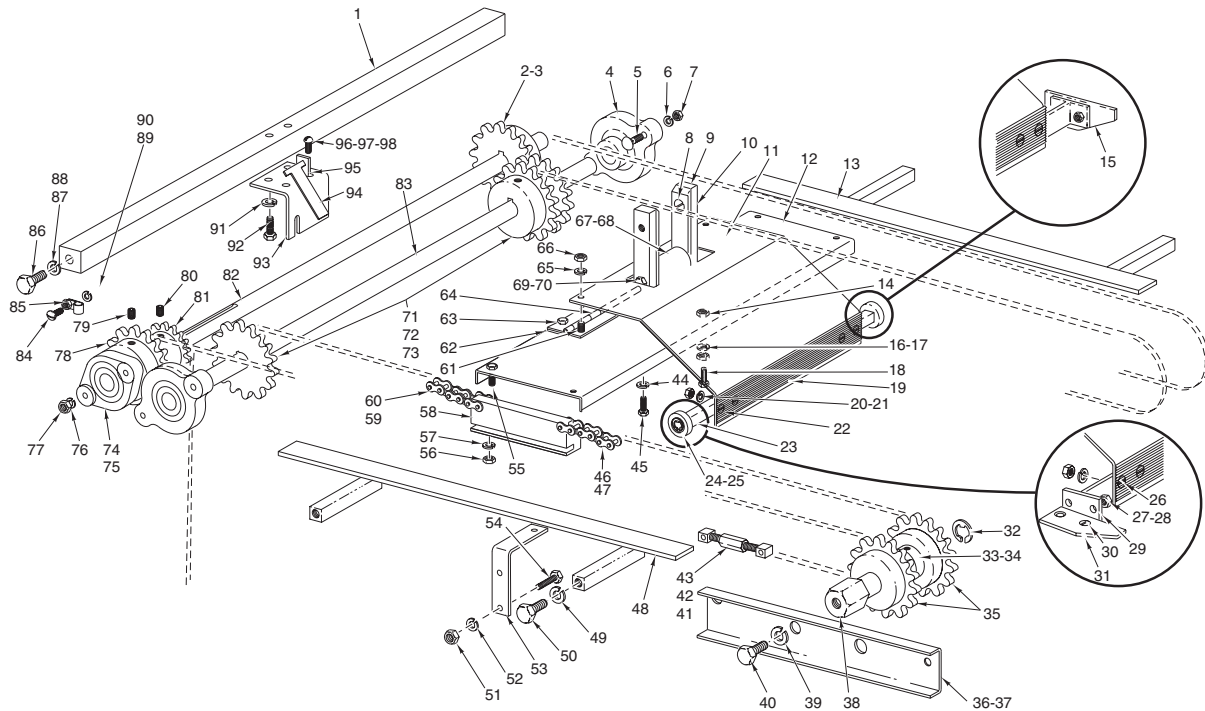
SENSOR AND FRONT HOLD DOWN

ILLUS.	PART NO.	NAME OF PART	AMT.
PL-56085			
1	00-333407	Holddown	1
2	SC-118-20	Cap Screw 1/4-20 x 1/2 Hex Hd.	2
3	WL-003-38	Lockwasher 1/4 Medium	2
4	00-175911	Pivot – Hold Down	1
5	00-334909	Shaft – Hold Down Pivot	1
6	SC-118-03	Cap Screw 3/8-16 x 5 Hex Hd.	1
7	SC-008-41	Mach. Screw 10-32 x 1/2 Rd. Hd.	2
8	WI-004-40	Lockwasher #10 Medium	2
9	00-331225	Bracket – Switch	1
10	00-086708	Collar (Incls. Item 11)	1
11	SC-075-41	Set Screw 10-32 x 3/16 Soc. Hds., Cup Pt.	1
12	00-332388	Rod – Lever	1
13	00-332405	Bracket – Trip	1
14	00-334479	Sprocket Assy.	1
15	00-086780	Ball Bearing	2
16	RR-008-14	Retaining Ring	2
17	00-332264	Lever Assy.	1
18	00-332386	Stud – Pivot Lever	1
19	WL-004-06	Lockwasher 3/8 Medium	1
20	SC-118-12	Cap Screw 3/8-16 x 3/4 Hex Hd.	1
21	NS-017-08	Nut 5/16-18 Hex	3
22	00-332400	Seat – Spring Adjusting	1

SENSOR AND FRONT HOLD DOWN (Cont.)

ILLUS.	PART NO.	NAME OF PART	AMT.
	PL-56085		
23	00-332406	Spring – Jam Lever	1
24	00-332385	Seat – Spring	1
25	00-332387	Stud – Spring Lever Jam	1
26	NS-017-08	Nut $\frac{5}{16}$ -18 Hex	1
27	SC-118-06	Cap Screw $\frac{3}{8}$ -16 x 2 $\frac{1}{2}$ Hex Hd.	1
28	00-332389	Spindle – Sprocket	1
29	WS-018-09	Washer	1
30	WL-004-06	Lockwasher $\frac{3}{8}$ Medium	1
31	NS-009-43	Nut $\frac{3}{8}$ -16 Hex	1
32	00-086708	Collar (Incls. Item 33)	1
33	SC-047-82	Set Screw 10-32 x $\frac{3}{16}$ Soc. Hdls., Cup Pt.	1
34	00-330393	Bracket	2
35	SC-089-01	Cap Screw $\frac{1}{4}$ -20 x $\frac{1}{2}$ Soc. Hd.	2
36	WL-003-38	Lockwasher $\frac{1}{4}$ Medium	2
37	00-330391	Bar – Mounting	1
38	00-331302	Bearing Block Assy. (Incls. Items 39 thru 43)	1
39	SC-008-41	Mach. Screw 10-32 x $\frac{1}{2}$ Rd. Hd.	2
40	WL-004-40	Lockwasher #10 Medium	2
41	00-331306	Plate	1
42	SC-088-18	Set Screw 10-32 x $\frac{7}{8}$ Soc. Hdls., Cup Pt.	1
43	NS-009-30	Mach. Nut 10-32 Hex	1
44	00-333501	Yoke & Finger Assy.	1
45	00-333505	Spring – Torsion	1
46	RP-005-04	Roll Pin $\frac{1}{8}$ x $\frac{3}{4}$	1
47	00-332845	Spring – Intake Lever	1
48	00-043869	Switch Lever Assy. (Incls. Items 44, 45, & 46)	1
49	SC-089-79	Cap Screw 10-32 x 1 Soc Hd.	4
50	WL-004-40	Lockwasher #10 Medium	4
51	00-086710	Collar (Incls. Item 25)	1
52	SC-075-10	Set Screw $\frac{1}{4}$ -20 x $\frac{3}{16}$ Soc. Hdls., Cup Pt.	1
53	00-331305	Bearing Block Assy.	1
54	00-332261	Plate – Safety	1
55	00-331332	Hub – Actuator	1
56	SC-008-17	Mach. Screw 10-32 x $\frac{3}{8}$ Rd. Hd.	1
57	00-331333	Actuator Package	1
58	SC-089-69	Cap Screw 10-32 x $\frac{1}{2}$ Hex Soc. Hd.	1
59	00-331331	Actuator & Hub Assy. (Incls. Items 55, 56, 57, & 58)	1
60	SC-018-44	Mach. Screw 4-40 x $\frac{1}{2}$ Phil. Pan Hd.	4
61	WL-003-03	Lockwasher #4 Medium	4
62	NS-009-02	Mach. Nut 4-40 Hex	4
63	00-330951	Sensor Board Package	1
64	00-330812	Bracket – Sensor Board Mounting	1
65	00-333361	Bar – Underfolder (ML-44025 & ML-44089)	1
66	00-330312	Bar Assy. Underfolder (ML-26369)	1
67	WL-003-38	Lockwasher $\frac{1}{4}$ Medium	2
68	WS-003-49	Washer	2
69	SC-110-12	Cap Screw $\frac{1}{4}$ -20 x $\frac{5}{8}$ Hex Hd.	2
70	00-125279	Bushing (Safety Plate)	2
71	WL-004-40	Lockwasher #10 Medium	2
72	SC-008-41	Mach. Screw 10-32 x $\frac{1}{2}$ Rd. Hd.	2
73	WL-003-38	Lockwasher $\frac{1}{4}$ Medium	4
74	SC-118-19	Cap Screw $\frac{1}{4}$ -20 x $\frac{3}{4}$ Hex Hd.	4
75	00-086964	Clamp – Loop	2
76	SC-008-17	Mach. Screw 10-32 x $\frac{3}{8}$ Rd. Hd.	2
77	WL-004-40	Lockwasher #10 Medium	2
78	00-334908	Bracket – Hold Down Pivot	2
79	SC-118-11	Cap Screw $\frac{3}{8}$ -16 x $\frac{7}{8}$ Hex Hd. (ML-44025 & ML-44089)	4
80	WL-004-06	Lockwasher $\frac{3}{8}$ Medium	4
81	NS-032-18	Lock Nut $\frac{3}{8}$ -16 Hex	1
82	RP-005-03	Roll Pin $\frac{1}{8}$ x $\frac{5}{8}$	1
83	00-334904	Hold Down – Package	1

ELECTRONIC STRETCH WRAPPER REPLACEMENT PARTS



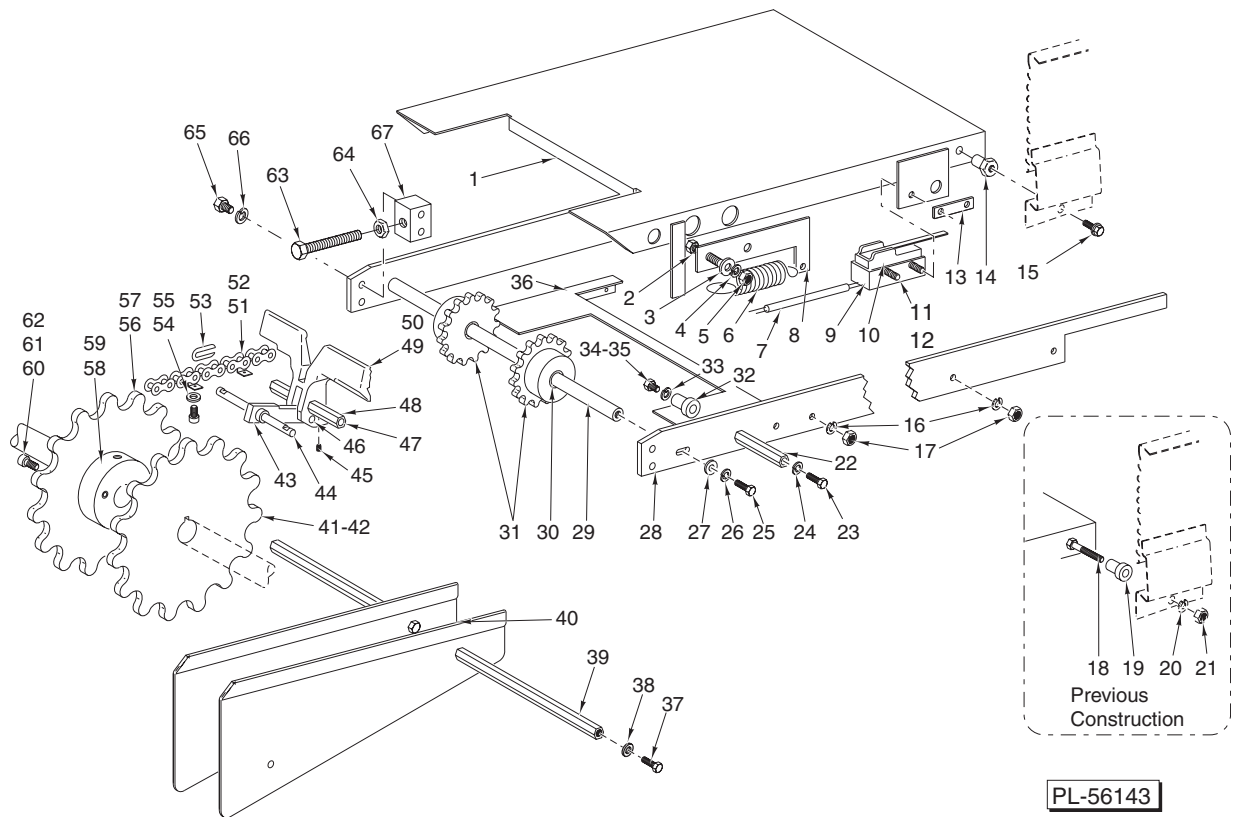
PL-56293

UPPER PUSHER PLATE

ILLUS.	PART NO.	NAME OF PART	AMT.
PL-56293			
1	00-330083	Spacer Wall	1
2	SC-075-15	Set Screw $\frac{5}{16}$ -18 x $\frac{3}{8}$ Soc. Hdls., Cup Pt.	1
3	00-330831	Sprocket	1
4	00-128930	Bearing Conveyor	2
5	SC-117-87	Carriage Bolt $\frac{1}{4}$ -20 x 1 Rd. Hd. Sq. Neck	4
6	WL-003-38	Lockwasher $\frac{1}{4}$ Medium	4
7	NS-013-02	Mach. Nut $\frac{1}{4}$ -20 Hex	4
8	SC-022-32	Mach. Screw $\frac{1}{4}$ -20 x $\frac{1}{2}$ Flat Hd.	2
9	00-332917	Guide – Mounting Block	2
10	00-331491	Block – Mtg. Roller (If New Style Hold Down 334904, Use 175905)	2
11	00-332412	Plate – Pusher	1
12	00-332413	Support – Plate Pusher	1
13	00-330179	Rail (LH)	1
14	NS-011-23	Mach. Nut 10-32 Hex	1
15	00-332395	Deflector (LH) (ML-26369)	1
16	WL-006-07	Lockwasher #10 Medium	1
17	NS-011-23	Mach. Nut 10-32 Hex	1
18	SC-059-17	Mach. Screw 10-32 x $\frac{3}{4}$ Hex Hd.	1
19	00-333859	Pad – Pusher Plate	1
20	NS-011-23	Mach. Nut 10-32 Hex	4
21	WL-006-07	Lockwasher #10 Medium	4
22	SC-013-66	Mach. Screw 10-32 x $\frac{7}{8}$ Flat Hd.	4
23	00-333375	Bar – Deflector	2
24	00-333376	Roller – Deflector	2
25	RR-004-03	Retaining Ring	2
26	SC-014-92	Mach. Screw 10-32 x $\frac{1}{2}$ Flat Hd. (ML-26369)	4
27	WL-006-02	Lockwasher #8 Medium (ML-26369)	4
28	NS-011-12	Mach. Nut 8-32 Hex (ML-26369)	4
29	00-332397	Plate Assy. (ML-26369)	2
30	SC-014-72	Mach. Screw 8-32 x $\frac{5}{8}$ Flat Hd. (ML-26369)	4
31	00-332394	Deflector (RH) (ML-26369)	1
32	RR-004-08	Retaining Ring	2
33	00-184504	Spacer – Pusher Stud	4
34	SC-047-95	Set Screw $\frac{5}{16}$ -18 x $\frac{1}{4}$ Soc. Hdls., Cup Pt.	4

UPPER PUSHER PLATE (Cont.)

ILLUS. PL-56293	PART NO.	NAME OF PART	AMT.
35	00-330105	Sprocket Assy.	4
36	00-333034	Plate – Right Support	1
37	00-333029	Plate – Left Support	1
38	00-184503	Stud – Pusher	2
39	WL-004-11	Lockwasher 1/2 Medium	2
40	SC-117-96	Cap Screw 1/2-20 x 1 Hex Hd.	2
41	NS-013-08	Mach. Nut 1/4-28 Hex (LH)	2
42	NS-013-07	Mach. Nut 1/4-28 Hex (RH)	2
43	00-330069	Take Up Chain Assy. (Incls. Items 41 & 42)	2
44	WL-003-38	Lockwasher 1/4 Medium	2
45	SC-118-19	Mach. Screw 1/4-20 x 3/4 Hex Hd.	2
46	00-047796	Chain – Pusher (Rear)	2
47	00-044784	Connecting Link #40	AR
48	00-330178	Rail (RH)	1
49	WL-004-06	Lockwasher 3/8 Medium	4
50	SC-118-10	Cap Screw 3/8-16 x 1 Hex Hd.	4
51	NS-013-02	Mach. Nut 1/4-20 Hex	8
52	WL-003-38	Lockwasher 1/4 Medium	8
53	00-332962	Bracket – Cover Mtg.	4
54	SC-118-19	Cap Screw 1/4-20 x 3/4 Hex Hd.	8
55	SC-118-17	Cap Screw 1/4-20 x 1 1/4 Hex Hd.	4
56	NS-013-02	Mach. Nut 1/4-20 Hex	4
57	WL-003-38	Lockwasher 1/4 Medium	4
58	00-184626	Slide – Pusher	2
59	00-047789	Chain – Pusher (Front)	2
60	00-044784	Link – Connecting Link #40 (ML-44089)	AR
61	SC-116-32	Mach. Screw 10-32 x 3/8 Hex Hd.	5
62	00-332408	Spacer – Hinge	1
63	SC-068-30	Mach. Screw 10-32 x 5/8 Hex Hd.	5
64	00-332407	Hinge – Pusher Plate	1
65	WL-006-07	Lockwasher #10 Medium	10
66	NS-011-23	Mach. Nut 10-32 Hex	10
67	00-332918	Spacer – Roller (If New Style Hold Down 334904, Use 175906)	1
68	00-331584	Roller – Holder Down (If New Style Hold Down 334904, Use 175907)	1
69	SC-117-91	Cap Screw 1/4-20 x 1 Hex Hd.	2
70	WL-003-38	Lockwasher 1/4 Medium	2
71	00-330185	Sprocket – Pusher Drive	3
72	SC-075-15	Set Screw 5/16-18 x 3/8 Soc. Hdls., Cup Pt.	3
73	00-087789	Key	3
74	00-333019	Bearing	2
75	SC-117-92	Cap Screw 5/16-18 x 3/4 Hex Hd.	4
76	WL-003-47	Lockwasher 5/16 Medium	4
77	NS-013-14	Mach. Nut 5/16-18 Hex	4
78	00-330831	Sprocket	1
79	SC-075-15	Set Screw 5/16-18 x 3/8 Soc. Hdls., Cup Pt.	2
80	SC-075-15	Set Screw 5/16-18 x 3/8 Soc. Hdls., Cup Pt.	2
81	00-331329	Sprocket	1
82	00-330085	Shaft – Underfolder	1
83	00-330086	Shaft – Pusher	1
84	SC-008-41	Mach. Screw 10-32 x 1/2 Rd. Hd.	6
85	00-086961	Clamp – Wire	6
86	SC-118-12	Cap Screw 3/8-16 x 3/4 Hex Hd.	2
87	WS-018-22	Washer	2
88	WL-004-06	Lockwasher 3/8 Medium	2
89	WL-004-40	Lockwasher #10 Medium	6
90	NS-009-30	Mach. Nut 10-32 Hex	4
91	WL-003-38	Lockwasher 1/4 Medium	2
92	SC-036-14	Cap Screw 1/4-20 x 1/2 Hex Hd.	2
93	00-330797	Mount – Safety Switch	1
94	00-331869	Lever	1
95	00-331868	Bracket – Lever	2
96	SC-009-56	Mach. Screw 8-32 x 3/8 Rd. Hd.	2
97	WL-003-12	Lockwasher #8 Medium	2
98	NS-009-12	Mach. Nut 8-32 Hex	2

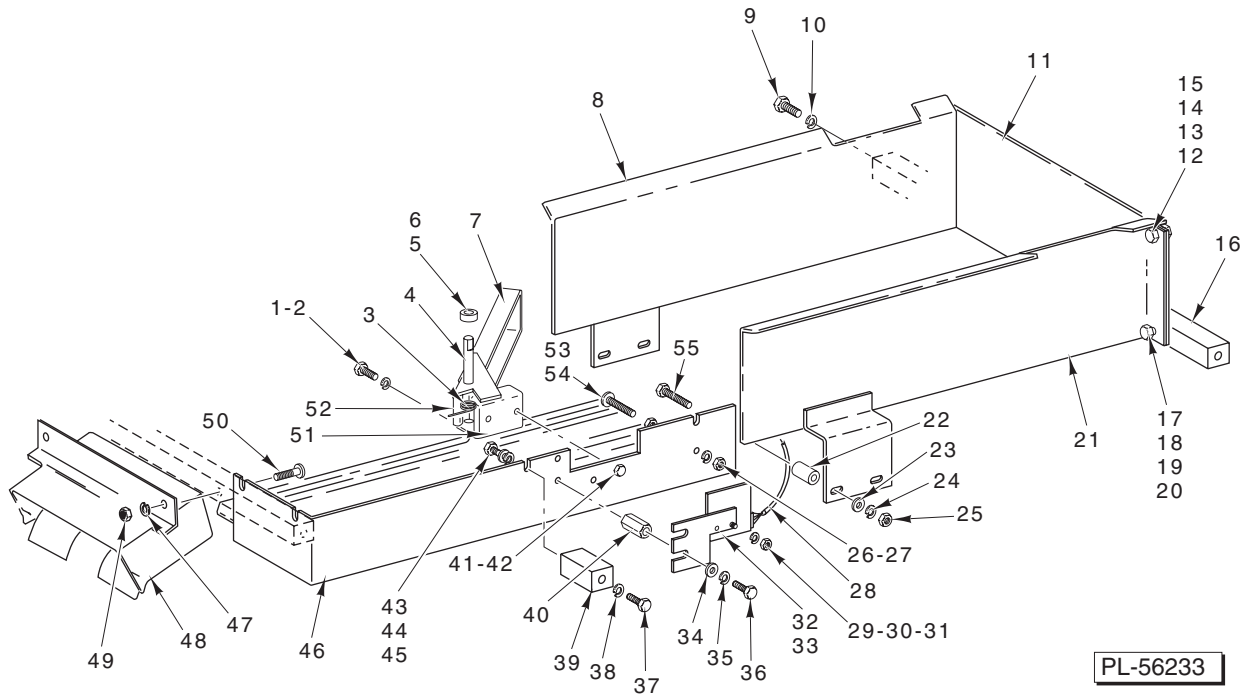


INTAKE PUSHER AND CHAIN SHIELD

ILLUS.	PART NO.	NAME OF PART	AMT.
PL-56143			
1	00-334041	Interlock Support Assy. (ML-44025 & ML-44089)	1
2	SC-118-016	Cap Screw 3/4-20 x 1 3/8 Hex Hd. (ML-44025 & ML-44089)	4
3	WS-017-25	Washer (ML-44025 & ML-44089)	4
4	WL-003-38	Lockwasher 1/4 Medium (ML-44025 & ML-44089)	4
5	NS-013-02	Mach. Nut 1/4-20 Hex (ML-44025 & ML-44089)	4
6	00-334290	Spring (ML-44025 & ML-44089)	2
7	00-333503	Switch Cord Assy. (ML-44025 & ML-44089)	1
8	00-334019	Hanger - Spring (ML-44025 & ML-44089)	2
9	00-129666	Enclosure - Terminal (ML-44025 & ML-44089)	1
10	00-131932	Interlock Switch Assy. (ML-44025 & ML-44089)	1
11	SC-009-85	Mach. Screw 6-32 x 1 1/4 Rd. Hd. (ML-44025 & ML-44089)	2
12	WS-023-15	Washer (ML-44025 & ML-44089)	2
13	00-333430	Plate - Switch Screw (ML-44025 & ML-44089)	1

INTAKE PUSHER AND CHAIN SHIELD (Cont.)

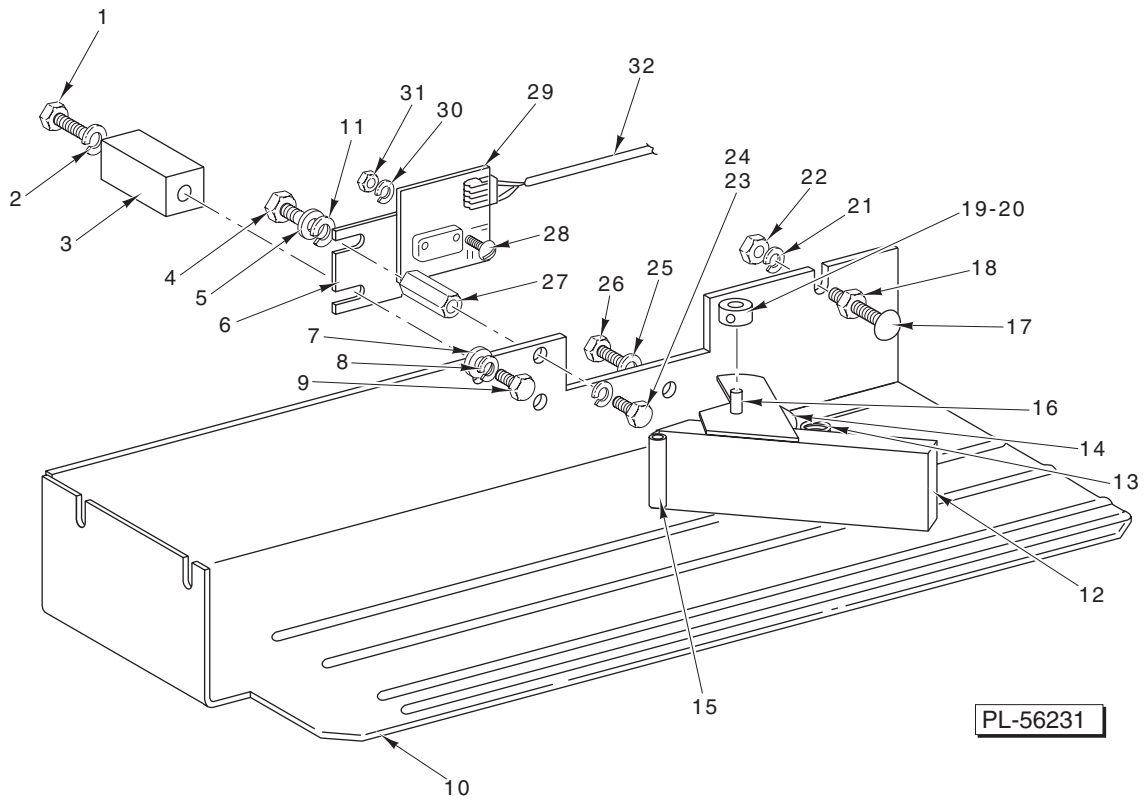
ILLUS. PL-56143	PART NO.	NAME OF PART	AMT.
14	00-046899	Stud – Switch Actuator (ML-44025 & ML-44089)	2
15	SC-121-62	Mach. Screw 1/4-20 x 1 Hex Washer Hd. (ML-44025 & ML-44089)	2
16	WL-003-38	Lockwasher 1/4 Medium	4
17	NS-013-02	Nut 1/4-20 Hex	4
18	SC-037-84	Cap Screw 1/4-20 x 1 1/2 Hex Hd. (ML-44025 & ML-44089)	2
19	00-131982	Bushing – Roller (ML-44025 & ML-44089)	2
20	WL-003-38	Lockwasher 1/4 Medium (ML-44025 & ML-44089)	2
21	NS-013-02	Mach. Nut 1/4-20 Hex (ML-44025 & ML-44089)	2
22	00-330060	Spacer	4
23	SC-110-12	Cap Screw 1/4-20 x 5/8 Hex Hd.	4
24	WL-003-38	Lockwasher 1/4 Medium	4
25	SC-062-81	Cap Screw 5/16-18 x 7/8 Hex Hd.	2
26	WL-003-47	Lockwasher 5/16 Medium	2
27	WS-005-42	Washer	2
28	00-334616	Support Chain	2
29	00-334615	Shaft – Intake Pusher	1
30	RR-011-05	Retaining Ring	4
31	00-334935	Sprocket & Idler Assy.	2
32	00-334013	Spacer – Pivot	4
33	WL-003-38	Lockwasher 1/4 Medium	4
34	SC-037-84	Cap Screw 1/4-20 x 1 1/2 Hex Hd. (ML-44025 & ML-44089)	4
35	SC-110-12	Cap Screw 1/4-20 x 5/8 (ML-26369)	4
36	00-332449	Support Pan (ML-26369)	1
37	SC-110-12	Cap Screw 1/4-20 x 5/8 Hex Hd.	4
38	WL-003-38	Lockwasher 1/4 Medium	4
39	00-331404	Spacer – Chain Shield	4
40	00-331443	Shield – Package Chain	2
41	00-330048	Sprocket – Platform Drive	1
42	SC-075-15	Set Screw 5/16-18 x 3/8 Soc. Hdls., Cup Pt.	1
43	00-330639	Bar & Bushing Assy.	1
44	00-330581	Pin – Pusher	1
45	SC-047-73	Set Screw 8-32 x 3/16 Soc. Hdls., Cup Pt.	2
46	00-330582	Pin – Pusher	1
47	00-330583	Pin – Pusher	1
48	00-330577	Block – Pusher Pivot	2
49	00-334485	Pusher Assy. (ML-44025 & ML-44089)	1
50	00-331588	Pusher Assy. (ML-26369)	1
51	00-046806	Chain – Intake Pusher	2
52	00-046629	Link – Intake Pusher	4
53	00-044784	Connecting Link #40	6
54	SC-040-61	Cap Screw 8-32 x 3/8 Soc. Hd.	4
55	WL-006-02	Lockwasher #8 Medium	4
56	00-330050	Sprocket	1
57	00-330052	Sprocket & Hub Assy. (Incls. Items 56 & 58 thru 62)	1
58	00-334930	Hub	1
59	SC-047-72	Set Screw 1/4-20 x 3/8 Soc. Hdls., Cup Pt.	2
60	SC-089-17	Cap Screw 5/16-18 x 1 Soc. Hd.	3
61	WL-003-47	Lockwasher 5/16 Medium	3
62	WS-005-42	Washer	3
63	00-334613	Bolt – Tension	2
64	NS-013-02	Nut 1/4-20 Hex	2
65	SC-118-19	Cap Screw 1/4-20 x 3/4 Hex Hd.	4
66	WL-003-38	Lockwasher 1/4 Medium	4
67	00-334612	Block – Tension	2
	00-046807	Pusher Chain Assy. (Incls. Items 43 thru 49 , 51, & 52 thru 55) (ML-44025 & ML-44089)	1



INTAKE PAN (RH) (ML-26369)

INTAKE PAN (RH) (ML-26369)

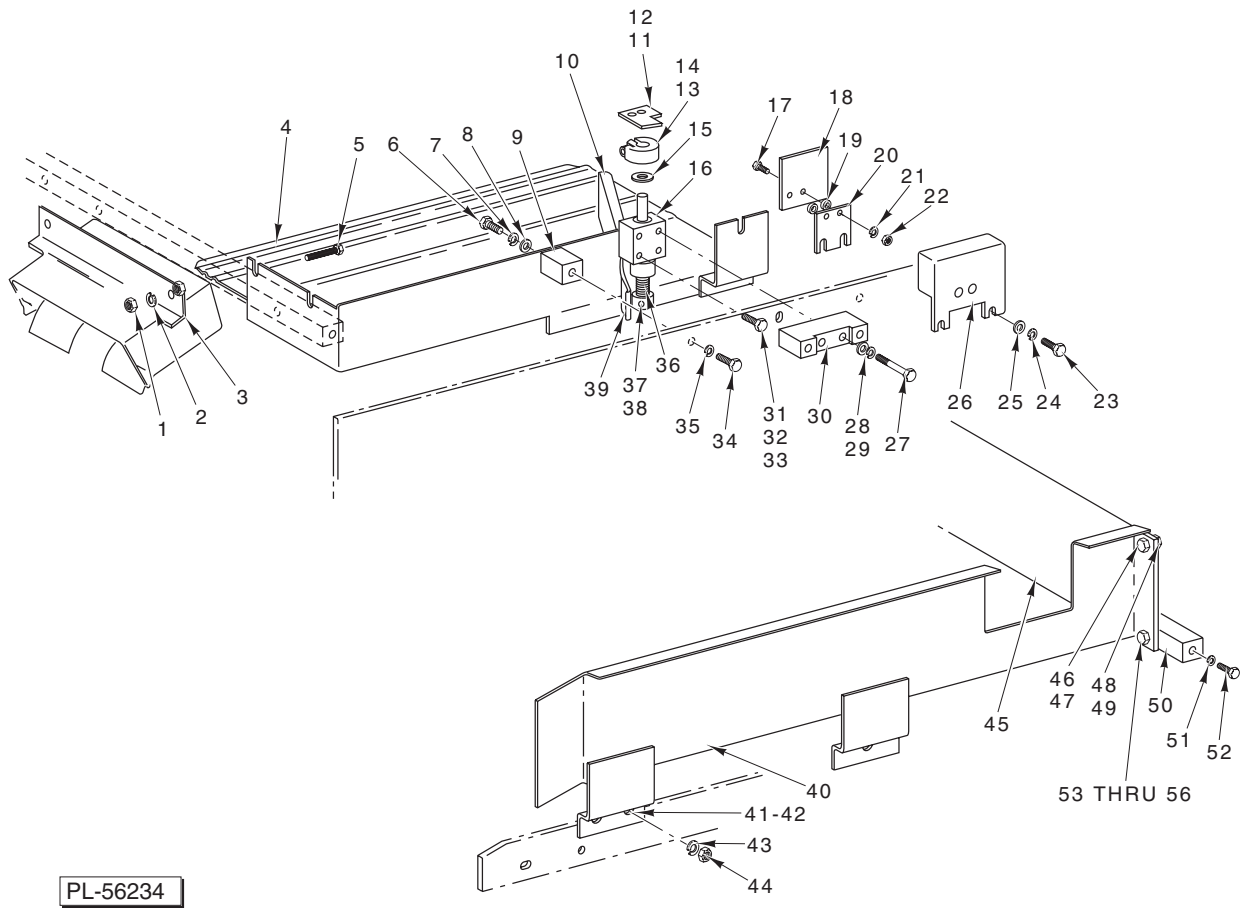
ILLUS. PL-56233	PART NO.	NAME OF PART	AMT.
1	SC-036-14	Cap Screw 1/4-20 x 1/2 Hex Hd.	2
2	WL-003-38	Lockwasher 1/4 Medium	2
3	00-330237	Spring	1
4	00-331255	Shaft – Paddle	1
5	SC-075-41	Set Screw 10-32 x 3/16 Soc. Hdls., Cup Pt.	1
6	00-086708	Collar (Incls. Item 5)	1
7	00-331258	Paddle (RH)	1
8	00-331444	Guide (LH)	1
9	SC-037-71	Cap Screw 3/8-16 x 3/4 Hex Hd.	2
10	WL-004-06	Lockwasher 3/8 Medium	2
11	00-042870	Stop – Package	1
12	NS-013-02	Mach. Nut 1/4-20 Hex	2
13	WL-003-38	Lockwasher 1/4 Medium	2
14	WS-017-25	Washer	4
15	SC-036-14	Cap Screw 1/4-20 x 1/2 Hex Hd.	2
16	00-042871	Spacer – Package Stop	1
17	SC-090-18	Cap Screw 1/4-20 x 1 3/8 Hex Hd.	2
18	WL-003-38	Lockwasher 1/4 Medium	2
19	WS-017-25	Washer	2
20	NS-013-02	Mach. Nut 1/4-20 Hex	2
21	00-331446	Guide (RH)	1
22	00-330315	Spacer – Package Guide	4
23	WS-017-25	Washer	4
24	WL-003-38	Lockwasher 1/4 Medium	4
25	NS-013-02	Mach. Nut 1/4-20 Hex	4
26	WL-003-38	Lockwasher 1/4 Medium	1
27	NS-013-02	Mach. Nut 1/4-20 Hex	2
28	00-331550	Wiring Harness (RH Sensor Board)	1
29	NS-009-02	Mach. Nut 4-40 Hex	2
30	WL-003-03	Lockwasher #4 Medium	2
31	SC-081-72	Mach. Screw 4-40 x 1/2 Rd. Hd.	2
32	00-331547	Sensor Board Assy. (RH)	1
33	00-331256	Plate – Vane Switch	1
34	WS-017-25	Washer	2
35	WL-003-38	Lockwasher 1/4 Medium	2
36	SC-036-13	Cap Screw 1/4-20 x 3/4 Hex Hd.	2
37	SC-110-12	Cap Screw 1/4-20 x 5/8 Hex Hd.	2
38	WL-003-38	Lockwasher 1/4 Medium	2
39	00-330029	Spacer – Intake	2
40	00-331257	Spacer – Switch Mounting	2
41	WL-003-38	Lockwasher 1/4 Medium	2
42	SC-062-20	Cap Screw 1/4-20 x 3/8 Hex Hd.	2
43	WS-017-25	Washer	2
44	SC-036-14	Cap Screw 1/4-20 x 1/2 Hex Hd.	2
45	WL-003-38	Lockwasher 1/4 Medium	2
46	00-330110	Pan – Intake (RH)	1
47	WL-003-38	Lockwasher 1/4 Medium	4
48	00-331440	Pusher Chute Assy.	1
49	NS-013-02	Mach. Nut 1/4-20 Hex	4
50	SC-009-91	Cap Screw 1/4-20 x 1 1/4 Rd. Hd.	4
51	00-331263	Block – Paddle Assy.	1
52	00-332046	Dampener – Paddle	1
53	SC-113-22	Carriage Bolt 1/4-20 x 1 1/2 Rd. Hd.	1
54	NS-013-02	Mach. Nut 1/4-20 Hex	2
55	SC-090-18	Cap Screw 1/4-20 x 1 3/8 Hex Hd.	2
	00-331266	Paddle Assy. (RH) (Incls. Items 3, 4, 6, 7, & 51)	1



INTAKE PAN (LH) (ML-26369)

INTAKE PAN (LH) (ML-26369)

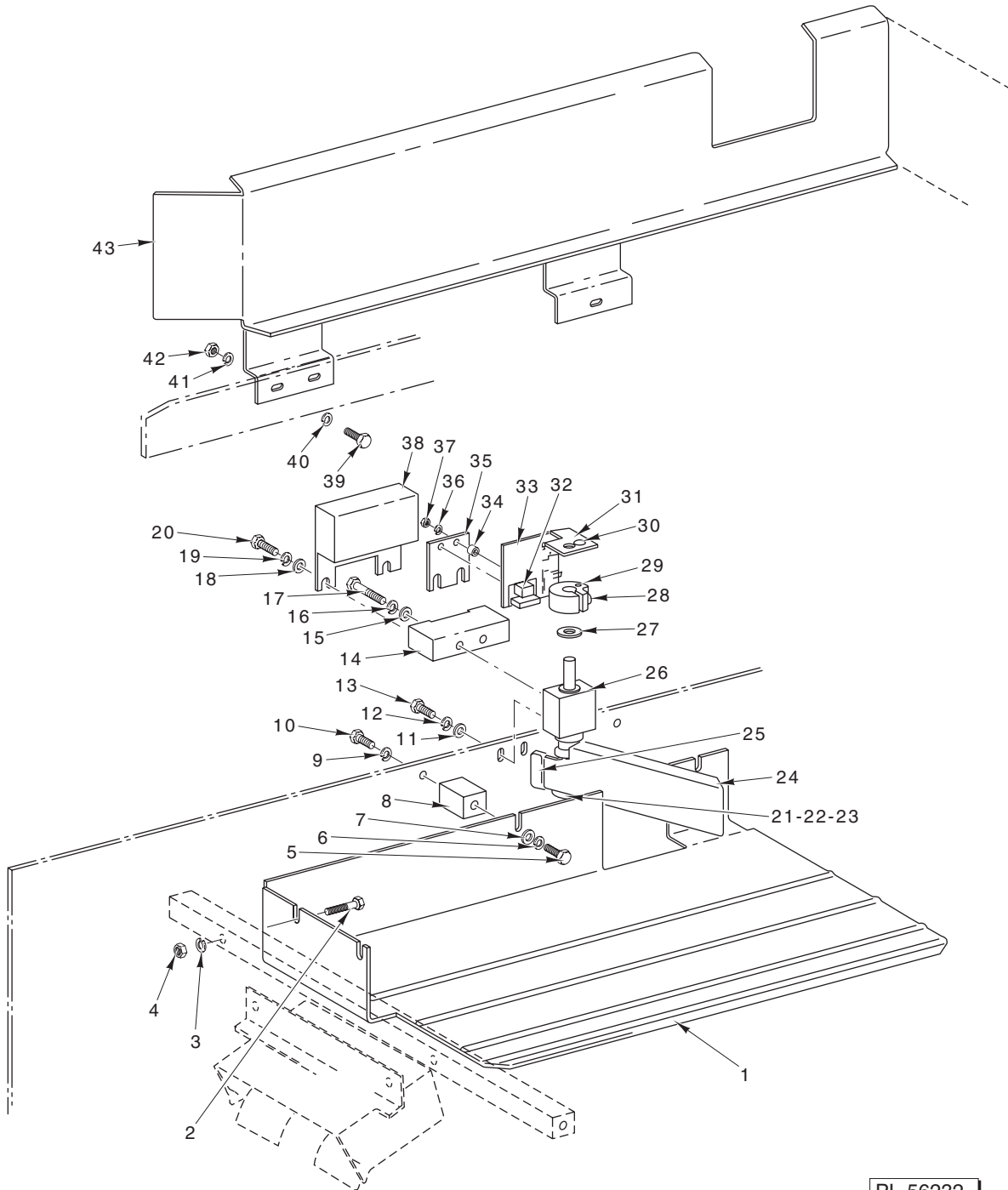
ILLUS. PL-56231	PART NO.	NAME OF PART	AMT.
1	SC-110-12	Cap Screw 1/4-20 x 5/8 Hex Hd.	2
2	WL-003-38	Lockwasher 1/4 Medium	2
3	00-330029	Spacer – Intake	2
4	SC-036-13	Cap Screw 1/4-20 x 3/4 Hex Hd.	2
5	WL-003-38	Lockwasher 1/4 Medium	2
6	00-331256	Plate – Vane Switch	1
7	WS-017-25	Washer	2
8	WL-003-38	Lockwasher 1/4 Medium	2
9	SC-036-14	Cap Screw 1/4-20 x 1/2 Hex Hd.	2
10	00-330111	Pan – Intake (LH)	1
11	WS-017-25	Washer	2
12	00-331259	Paddle – (LH)	1
13	00-330237	Spring – Torsion.....	1
14	00-331263	Block – Paddle Assy.	1
15	00-332046	Dampener – Paddle	1
16	00-331255	Shaft – Paddle	1
17	SC-113-22	Carriage Bolt 1/4-20 x 1 1/2 Rd. Hd.	1
18	NS-013-02	Mach. Nut 1/4-20 Hex	1
19	00-086708	Collar Assy. (Incls. Item 20)	1
20	SC-075-41	Set Screw 10-32 x 3/16 Soc. Hdls., Cup Pt.	1
21	WL-003-38	Lockwasher 1/4 Medium	1
22	NS-013-02	Mach. Nut 1/4-20 Hex	1
23	SC-036-14	Cap Screw 1/4-20 x 1/2 Hex Hd.	2
24	WL-003-38	Lockwasher 1/4 Medium	2
25	WL-003-38	Lockwasher 1/4 Medium	2
26	SC-062-20	Cap Screw 1/4-20 x 3/8 Hex Hd.	2
27	00-331257	Spacer – Switch Mounting	2
28	SC-081-72	Mach. Screw 4-40 x 1/2 Rd. Hd.	2
29	00-330956	Wide Package Sensor Board Assy.	1
30	WL-003-03	Lockwasher #4 Medium	4
31	NS-009-02	Mach. Nut 4-40 Hex	4
32	00-331549	Wiring Harness (LH Sensor Board)	1
	00-331265	Paddle Assy. (LH) (Incls. Items 12, 13, 14, 16, & 19)	1
	00-331264	Switch Plate Assy. (LH) (Incls. Items 6 & 28 thru 31)	1



INTAKE PAN (RH) (ML-44025 & ML-44089)

INTAKE PAN (RH) (ML-44025 & ML-44089)

ILLUS.	PART NO.	NAME OF PART	AMT.
	PL-56234		
1	NS-013-02	Nut 1/4-20 Hex	2
2	WL-003-38	Lockwasher 1/4 Medium	2
3	00-333341	Pusher Chute Assy.	1
4	00-333664	Pan – Intake (RH)	1
5	SC-009-91	Cap Screw 1/4-20 x 1 1/4 Hex Hd.	2
6	SC-118-20	Cap Screw 1/4-20 x 1/2 Hex Hd.	1
7	WL-003-38	Lockwasher 1/4 Medium	1
8	WS-017-25	Washer	1
9	00-333074	Spacer – Intake	1
10	00-333401	Paddle Assy. (RH)	1
11	00-331333	Actuator – Paddle	1
12	SC-008-17	Mach. Screw 10-32 x 3/8 Rd. Hd.	1
13	00-331332	Hub – Actuator	1
14	SC-089-69	Mach. Screw 10-32 x 1/2 Soc. Hd.	1
15	WS-003-49	Washer	1
16	00-333171	Pivot Block Assy.	1
17	SC-081-72	Mach. Screw 4-40 x 1/2 Rd. Hd.	2
18	00-331547	Sensor Board Assy. (RH)	1
19	00-333168	Spacer – Board	2
20	00-333169	Plate – Board Mounting	1
21	WL-003-03	Lockwasher #4 Medium	2
22	NS-009-02	Mach. Nut 4-40 Hex	2
23	SC-116-32	Mach. Screw 10-32 x 3/8 Hex Hd.	2
24	WL-004-40	Lockwasher #10 Medium	2
25	WS-002-51	Washer	2
26	00-333145	Cover – Board (RH)	1
27	SC-037-84	Cap Screw 1/4-20 x 1 1/2 Hex Hd.	2
28	WL-003-38	Lockwasher 1/4 Medium	2
29	WS-003-49	Washer	2
30	00-333170	Support – Board	1
31	SC-118-19	Cap Screw 1/4-20 x 3/4 Hex Hd.	2
32	WL-003-38	Lockwasher 1/4 Medium	2
33	WS-017-25	Washer	2
34	SC-110-12	Cap Screw 1/4-20 x 5/8 Hex Hd.	1
35	WL-003-38	Lockwasher 1/4 Medium	1
36	00-333182	Spring – Torsion (LH Helix)	1
37	00-131843	Collar – Paddle	1
38	SC-047-82	Set Screw 10-32 x 3/16 Soc. Hdls., Cup Pt.	1
39	00-333405	Damper – Paddle	1
40	00-334881	Guide – (RH)	1
41	SC-090-18	Cap Screw 1/4-20 x 1 3/8 Hex Hd.	1
42	WS-017-25	Washer	1
43	WL-003-38	Lockwasher 1/4 Medium	1
44	NS-013-02	Mach. Nut 1/4-20 Hex	1
45	00-042870	Stop – Package	1
46	SC-118-20	Cap Screw 1/4-20 x 1/2 Hex Hd.	1
47	WS-017-25	Washer	1
48	WL-003-38	Lockwasher 1/4 Medium	1
49	NS-013-02	Mach. Nut 1/4-20 Hex	1
50	00-042871	Spacer – Package Stop	1
51	WL-004-06	Lockwasher 3/8 Medium	1
52	SC-118-12	Cap Screw 3/8-16 x 3/4 Hex Hd.	2
53	SC-118-16	Cap Screw 1/4-20 x 1 3/8 Hex Hd.	2
54	WL-003-38	Lockwasher 1/4 Medium	1
55	WS-017-25	Washer	1
56	NS-013-02	Mach. Nut 1/4-20 Hex	1
	00-333180	Paddle Assy. (RH) (Incls. Items 10 thru 22, 27 thru 30, & 36 thru 39)	1

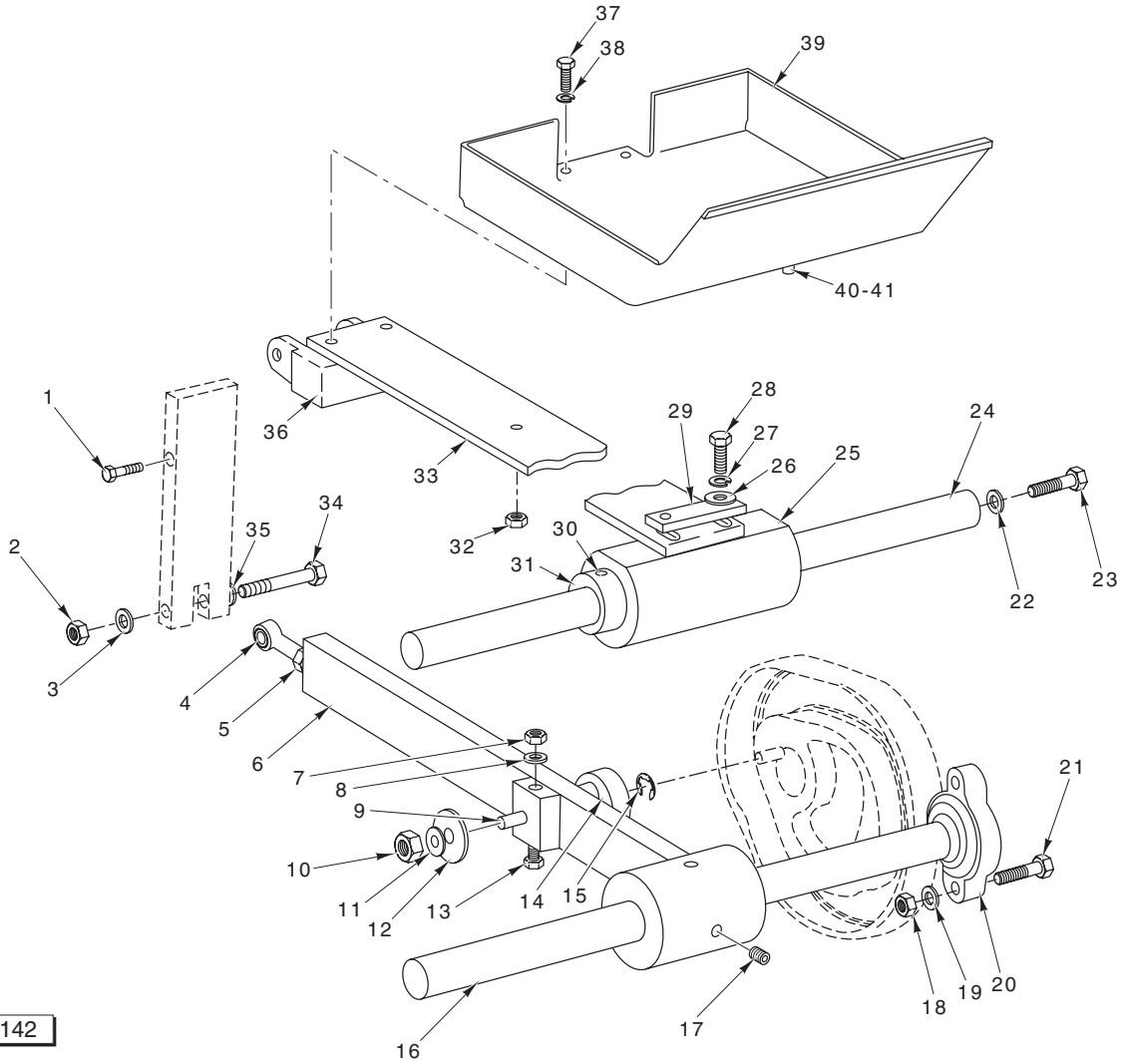


PL-56232

INTAKE PAN (LH) (ML-44025 & ML-44089)

INTAKE PAN (LH) (ML-44025 & ML-44089)

ILLUS. PL-56232	PART NO.	NAME OF PART	AMT.
1	00-333663	Pan – Intake (LH)	1
2	SC-009-91	Mach. Screw 1/4-20 x 1 1/4 Rd. Hd.	2
3	WL-003-38	Lockwasher 1/4 Medium	2
4	NS-013-02	Nut 1/4-20 Hex	2
5	SC-118-20	Cap Screw 1/4-20 x 1/2 Hex Hd.	1
6	WL-003-38	Lockwasher 1/4 Medium	1
7	WS-017-25	Washer	1
8	00-333074	Spacer – Intake	1
9	WL-003-38	Lockwasher 1/4 Medium	1
10	SC-110-12	Cap Screw 1/4-20 x 5/8 Hex Hd.	1
11	WS-017-25	Washer	2
12	WL-003-38	Lockwasher 1/4 Medium	2
13	SC-118-19	Cap Screw 1/4-20 x 3/4 Hex Hd.	2
14	00-333170	Support – Board	1
15	WS-003-49	Washer	2
16	WL-003-38	Lockwasher 1/4 Medium	2
17	SC-037-84	Cap Screw 1/4-20 x 1 1/4 Hex Hd.	2
18	WS-002-51	Washer	2
19	WL-004-40	Lockwasher #10 Medium	2
20	SC-116-32	Mach. Screw 10-32 x 3/8 Hex Hd.	2
21	00-131843	Collar – Paddle (Incls. Item 22)	1
22	SC-075-41	Set Screw 10-32 x 3/16 Soc. Hdls., Cup Pt.	1
23	00-333183	Spring – Torsion (RH Helix)	1
24	00-333402	Paddle Assy. (LH)	1
25	00-333405	Dampener	1
26	00-333171	Pivot Block Assy.	1
27	WS-003-49	Washer	1
28	SC-089-69	Mach. Screw 10-32 x 1/2 Soc. Hd.	1
29	00-331332	Hub – Actuator	1
30	SC-008-17	Mach. Screw 10-32 x 3/8 Rd. Hd.	1
31	00-331333	Actuator – Paddle	1
32	SC-081-72	Mach. Screw 4-40 x 1/2 Rd. Hd.	2
33	00-330956	Sensor Board Assy. (LH)	1
34	00-333168	Spacer – Board	2
35	00-333169	Plate – Board Mounting	1
36	WL-003-03	Lockwasher #4 Medium	2
37	NS-009-02	Mach. Nut 4-40 Hex	2
38	00-333146	Cover – Board (LH)	1
39	SC-118-16	Cap Screw 1/4-20 x 1 3/8 Hex Hd.	3
40	WS-017-25	Washer	3
41	WL-003-38	Lockwasher 1/4 Medium	3
42	NS-013-02	Nut 1/4-20 Hex	3
43	00-334880	Guide (LH)	1
	00-333181	Paddle Assy. (LH) (Incls. Items 14 thru 17 & 21 thru 37)	1

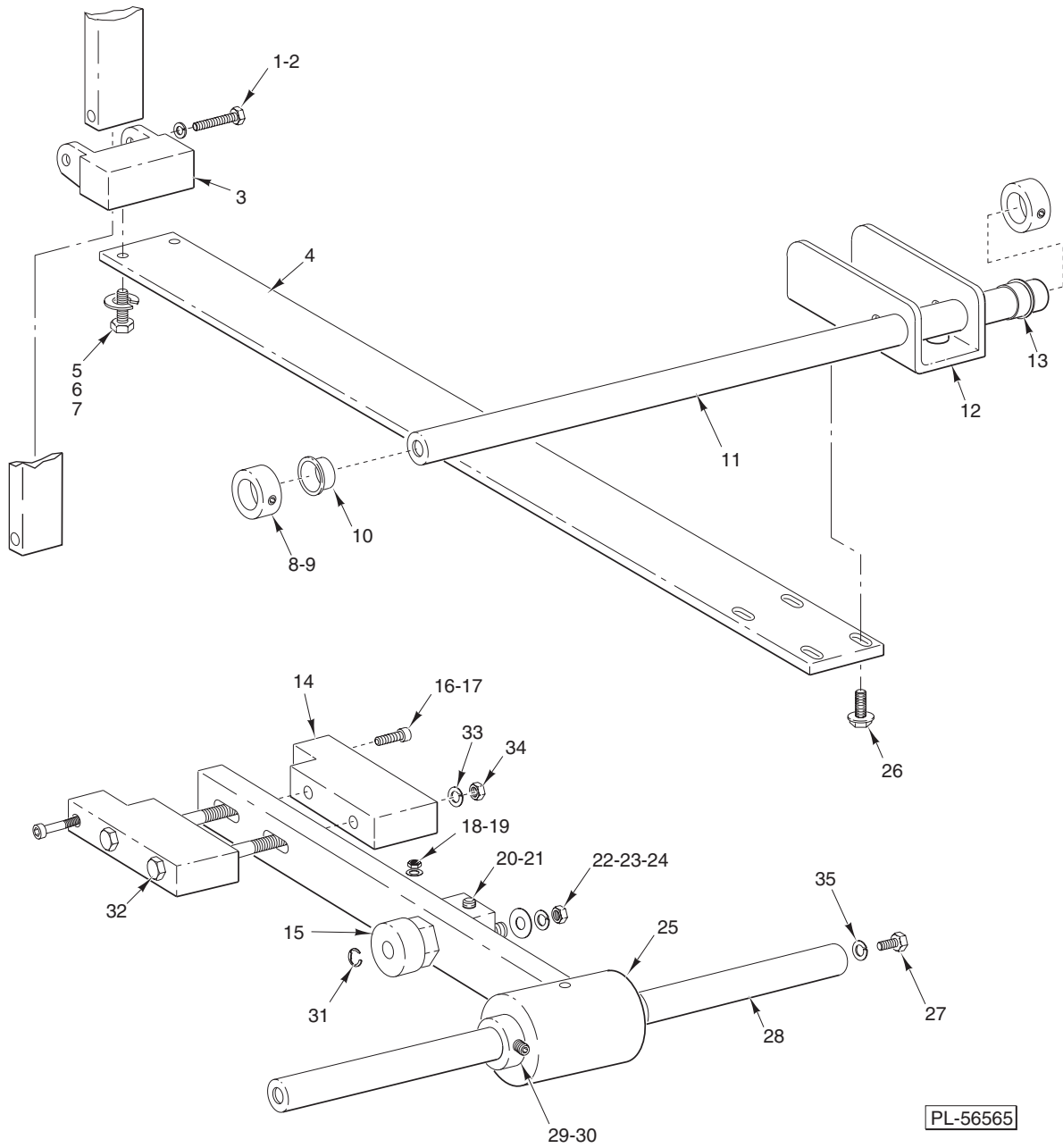


PL-56142

**ELEVATOR LEVER
(OLD STYLE)**

ELEVATOR LEVER (OLD STYLE)

ILLUS. PL-56142	PART NO.	NAME OF PART	AMT.
1	00-330246	Stud – Elevator Clevis	2
2	NS-009-43	Mach. Nut $\frac{3}{8}$ -16 Hex	1
3	WL-004-06	Lockwasher $\frac{3}{8}$ Medium	1
4	00-330647	Rod – Male End	1
5	NS-013-27	Mach. Nut $\frac{3}{8}$ -24 Hex	1
6	00-334221	Lever – Elevator	1
7	NS-032-39	Mach. Nut $\frac{1}{4}$ -28 Hex	1
8	WS-017-25	Washer	1
9	00-330340	Cam – Roller Stud	1
10	NS-013-36	Mach. Nut $\frac{1}{2}$ -20 Hex	1
11	WL-004-11	Lockwasher $\frac{1}{2}$ Medium	1
12	WS-020-06	Washer	1
13	00-125665	Bolt – Special Hex	1
14	00-086782	Bearing – Fafnir P/N W203PP	1
15	RR-004-12	Retaining Ring	1
16	00-330041	Shaft – Lower Elevator	1
17	SC-047-44	Set Screw $\frac{3}{8}$ -16 x $\frac{5}{8}$ Soc. Hdls., Cup Pt.	2
18	NS-009-43	Mach. Nut $\frac{3}{8}$ -16 Hex	4
19	WL-004-06	Lockwasher $\frac{3}{8}$ Medium	4
20	00-334815	Bearing – Two Bolt Flange Unit	2
21	SC-116-83	Cap Screw $\frac{3}{8}$ -16 x $1\frac{1}{2}$ Hex Hd.	4
22	WL-004-11	Lockwasher $\frac{1}{2}$ Medium	2
23	SC-117-96	Cap Screw $\frac{1}{2}$ -20 x 1 Hex Hd.	2
24	00-330320	Shaft – Elevator	1
25	00-330889	Hub Assy. – Upper Elevator Lever	1
26	WS-018-22	Washer	2
27	WL-004-06	Lockwasher $\frac{3}{8}$ Medium	2
28	SC-118-10	Cap Screw $\frac{3}{8}$ -16 x 1 Hex Hd.	2
29	00-334016	Plate – Clamp (ML-44025)	1
30	SC-075-15	Set Screw $\frac{5}{16}$ -18 x $\frac{3}{8}$ Soc. Hdls., Cup Pt.	1
31	00-131841	Collar	2
32	NS-013-02	Mach. Nut $\frac{1}{4}$ -20 Hex (ML-26369)	1
33	00-334918	Lever – Upper Elevator (ML-26369)	1
34	SC-118-06	Cap Screw $\frac{3}{8}$ -16 x $2\frac{1}{2}$ Hex Hd.	1
35	WS-018-22	Washer	2
36	00-330820	Elevator Clevis Assy.	1
37	SC-118-11	Cap Screw $\frac{3}{8}$ -16 x $\frac{7}{8}$ Hex Hd.	2
38	WL-004-06	Lockwasher $\frac{3}{8}$ Medium	2
39	00-332450	Pan	1
40	SC-110-12	Cap Screw $\frac{1}{4}$ -20 x $\frac{5}{8}$ Hex Hd.	1
41	WL-003-38	Lockwasher $\frac{1}{4}$ Medium	1
	00-334235	Lever & Stud Assy. (Incls. Item 4 thru 15)	1

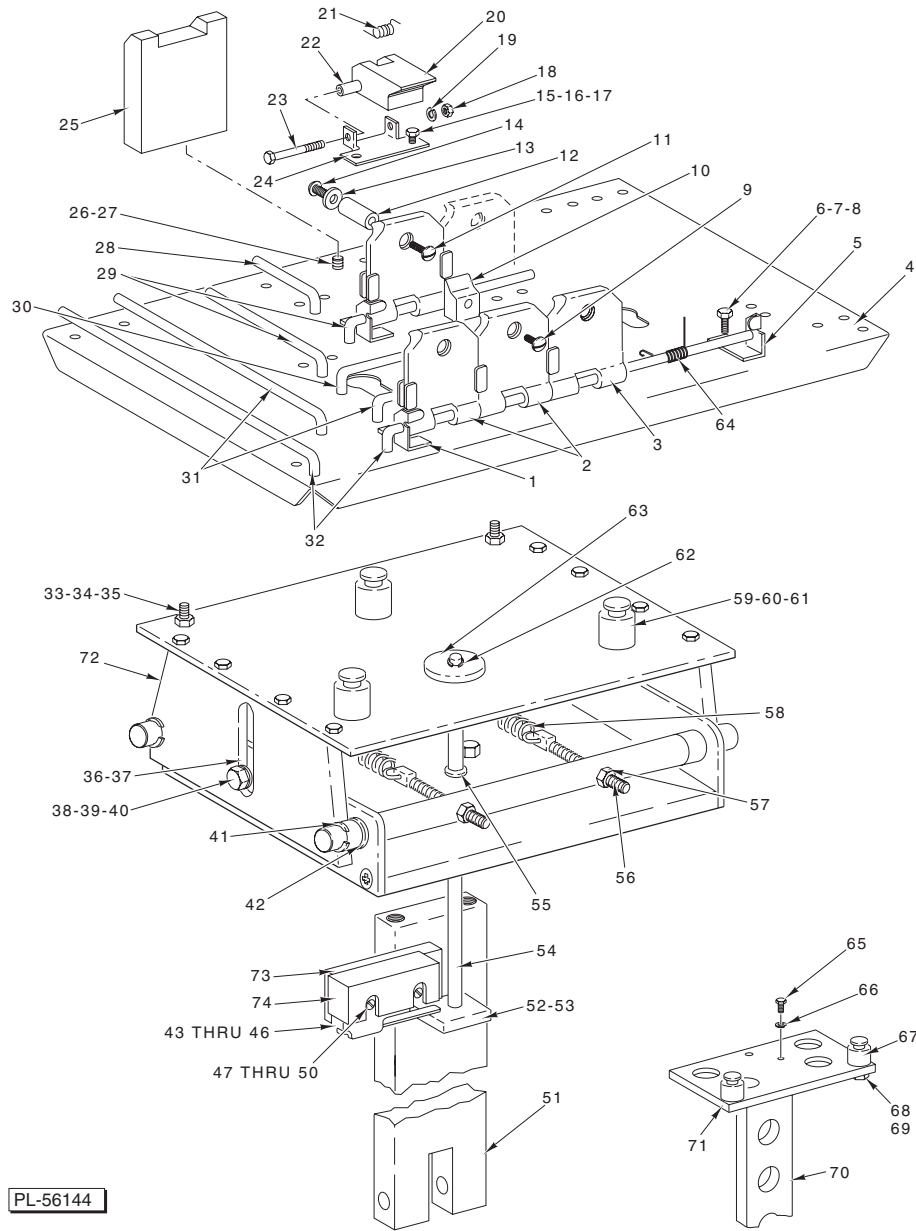


**ELEVATOR LEVER
(NEW STYLE)**

**ELEVATOR LEVER
(NEW STYLE)**

ILLUS. PL-56565	PART NO.	NAME OF PART	AMT.
1	SC-104-08	Screw $\frac{5}{16}$ -18 x $\frac{3}{4}$ Hex Soc. Hd.	2
2	WS-018-24	Washer	2
3	00-330820	Clevis Assy. – Elevator	1
4	00-334918	Lever – Elevator Upper	1
5	SC-118-11	Cap Screw $\frac{3}{8}$ -16 x $\frac{7}{8}$ Hex Hd.	2
6	WL-004-06	Lockwasher $\frac{3}{8}$ Medium	2
7	NS-009-43	Nut $\frac{3}{8}$ -16 Hex	2
8	00-131841	Collar $1\frac{5}{8}$ Dia.	2
9	SC-075-15	Set Screw $\frac{5}{16}$ -18 x $\frac{3}{8}$ Hex Hdls., Cup Pt.	2
10	00-334921	Bearing – Nyliner	1
11	00-330320	Shaft – Underfolder Drive	1
12	00-047842	Bracket – Bearing	1
13	00-334921	Bearing – Nyliner	1
14	00-175871	Clevis Assy. – Elevator (Lower)	2
15	00-086782	Bearing – Ball	1
16	SC-104-08	Shoulder Screw $\frac{5}{16}$ -18 x $\frac{3}{4}$ Hex Socket Hd.	2
17	WS-018-24	Washer	2
18	NS-032-39	Nut $\frac{1}{4}$ -28 Hex	1
19	WL-003-38	Lockwasher $\frac{1}{4}$ Medium	1
20	00-125665	Bolt $\frac{1}{4}$ -28 UNF-2A x $2\frac{1}{4}$ Hex Hd., Special	1
21	00-330340	Cam – Roller Stud	1
22	NS-013-36	Nut $\frac{1}{2}$ -20 Hex	1
23	WL-004-11	Lockwasher $\frac{1}{2}$ Medium	1
24	WS-020-06	Washer	1
25	00-175866	Lever Assy. – Elevator	1
26	SC-123-94	Cap Screw $\frac{3}{8}$ -16 x $\frac{3}{4}$ Hex Washer Hd.	4
27	SC-117-96	Cap Screw $\frac{1}{2}$ -20 x 1 Hex Hd.	4
28	00-330320	Shaft – Elevator	1
29	00-131841	Collar $1\frac{5}{8}$ Dia.	2
30	SC-075-15	Set Screw $\frac{5}{16}$ -18 x $\frac{3}{8}$ Hex Hdls., Cup Pt.	2
31	RR-010-17	Retaining Ring	1
32	SC-097-11	Cap Screw $\frac{5}{16}$ -18 x 4 Hex Hd.	2
33	WL-003-47	Lockwasher $\frac{5}{16}$ Medium	2
34	NS-013-14	Nut $\frac{5}{16}$ -18 Hex	2
35	WL-004-11	Lockwasher $\frac{1}{2}$ Medium	4

ELECTRONIC STRETCH WRAPPER REPLACEMENT PARTS



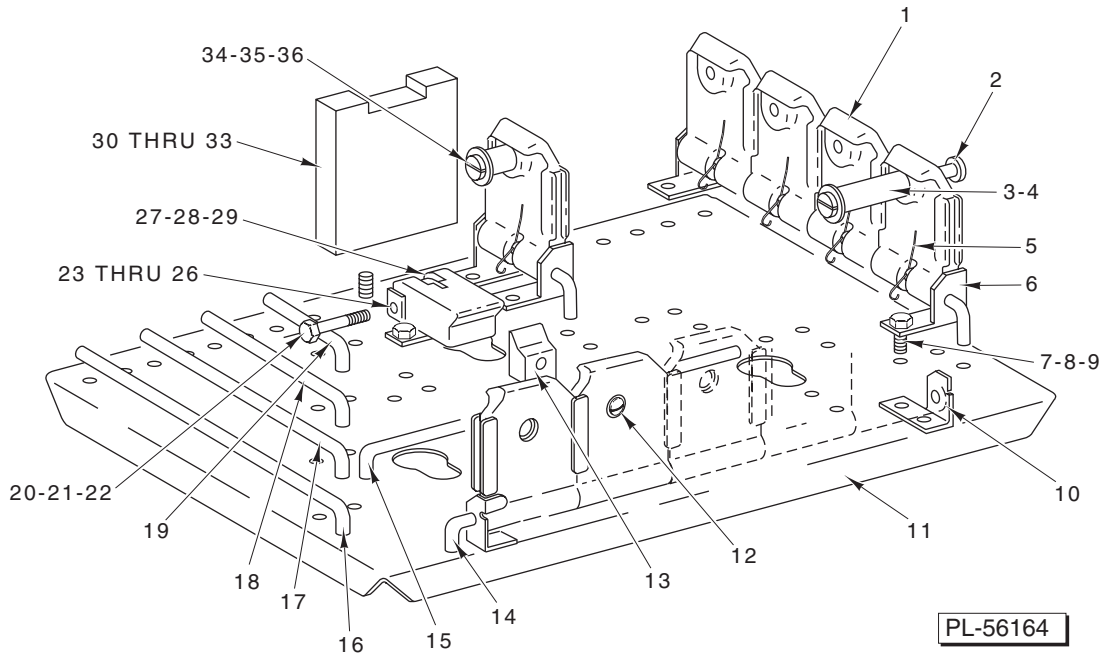
PL-56144

**ELEVATOR PLATFORM AND SUPPORT
(ML-44025 & ML-44089)**

ILLUS.	PART NO.	NAME OF PART	AMT.
PL-56144			
1	00-332212	Bracket – (LH) Stop	12
2	00-334066	Slat – Elevator (Fully – Ribbed)	33
3	00-334067	Slat – Elevator (Abbreviated – Ribbed)	5
4	00-183853	Platform – Elevator	1
5	00-332213	Bracket – (RH) Stop	12
6	SC-116-32	Cap Screw 10-32 x 3/8 Hex Hd.	24
7	WL-006-07	Lockwasher #10 Medium	24
8	NS-048-19	Mach. Nut 10-32 Hex	24
9	SC-093-21	Mach. Screw 10-32 x 3/8 Pan Hd.	2
10	00-332429	Stop – Package	2
11	SC-093-21	Mach. Screw 10-32 x 3/8 Pan Hd.	4
12	00-332912	Spacer	4

ELEVATOR PLATFORM AND SUPPORT (ML-44025 & ML-44089) (Cont.)

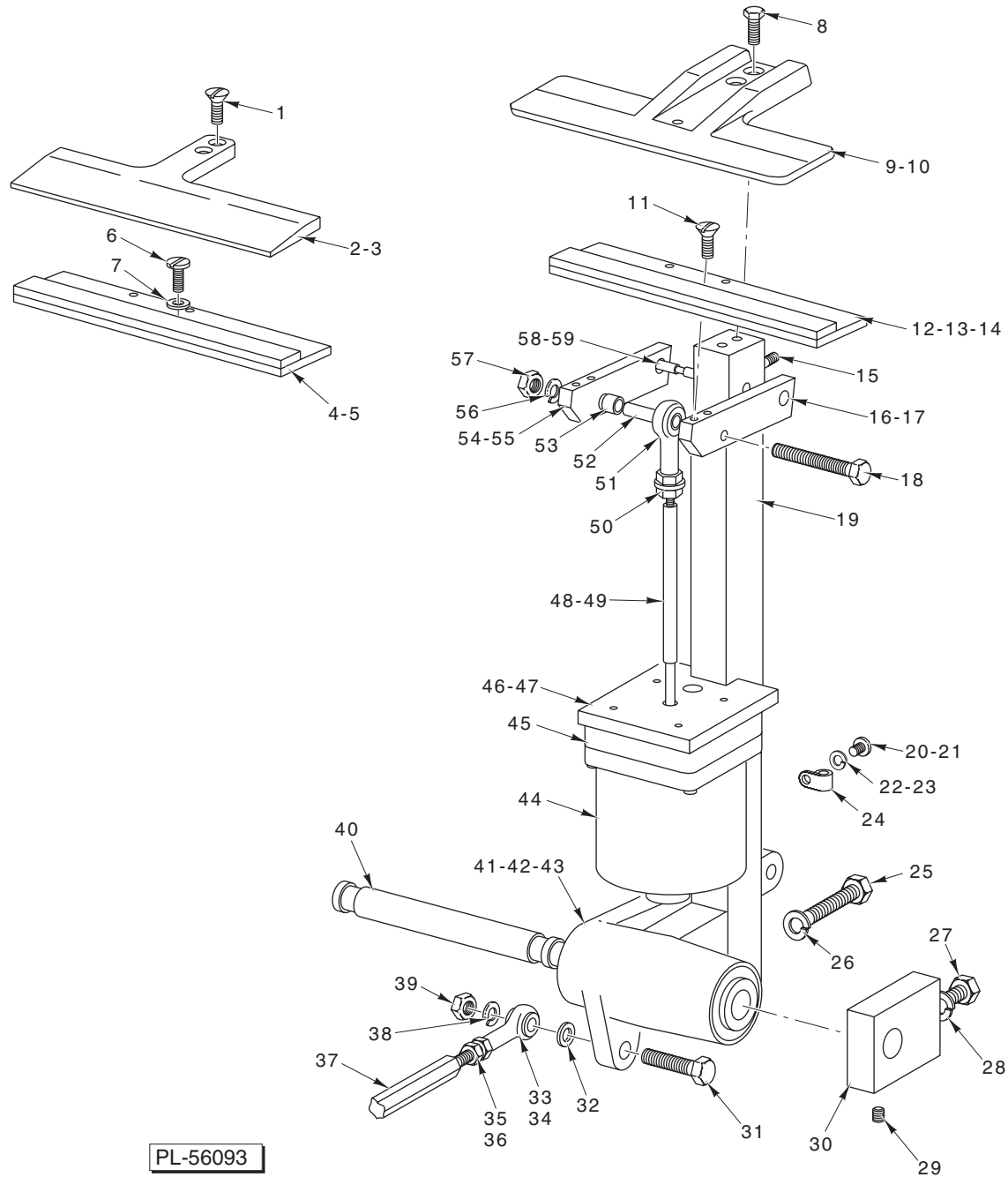
ILLUS. PL-56144	PART NO.	NAME OF PART	AMT.
13	WS-029-79	Washer	4
14	SC-093-21	Mach. Screw 10-32 x 3/8 Pan Hd.	4
15	SC-116-32	Cap Screw 10-32 x 3/8 Hex Hd.	2
16	WL-006-07	Lockwasher #10 Medium	2
17	NS-048-19	Mach. Nut 10-32 Hex	2
18	NS-011-07	Mach. Nut 6-32 Hex	1
19	WL-006-42	Lockwasher #6 Medium	1
20	00-331284	Latch – Elevator Platform	1
21	00-331288	Spring – Latch (Torsion)	1
22	00-331285	Sleeve – Elevator Latch	1
23	SC-116-30	Mach. Screw 6-32 x 1 1/4 Hex Hd.	1
24	00-331291	Bracket – Elevator Latch	1
25	00-183897	Post – Elevator	1
26	SC-116-32	Cap Screw 10-32 x 3/8 Hex Hd.	2
27	WL-006-07	Lockwasher #10 Medium	2
28	00-332215	Rod – Elevator (1 Slat)	2
29	00-332214	Rod – Elevator (2 Slat)	3
30	00-333328	Rod – Elevator (3 Slat)	1
31	00-332219	Rod – Elevator (4 Slat)	3
32	00-332216	Rod – Elevator (5 Slat)	3
33	SC-118-18	Cap Screw 1/4-20 x 7/8 Hex Hd.	2
34	WL-006-17	Lockwasher 1/4 Medium	2
35	NS-015-01	Mach. Nut 1/4-20 Hex	2
36	00-334060	Spacer	2
37	WS-022-10	Washer	2
38	SC-117-91	Cap Screw 1/4-20 x 1 Hex Hd.	4
39	NS-015-01	Mach. Nut 1/4-20 Hex	2
40	WL-006-17	Lockwasher 1/4 Medium	4
41	RR-004-03	Retaining Ring	4
42	00-334050	Bushing – Slide	4
43	00-334728	Switch Assy. (With Leads)	1
44	00-334727	Cord Assy. (Use With Item 43)	1
45	00-131932	Switch – Intake	1
46	00-334251	Cord Assy.	1
47	SC-093-01	Mach. Screw 6-32 x 1 3/8 Pan Hd.	3
48	WL-006-42	Lockwasher #6 Medium	4
49	WS-023-21	Washer	3
50	NS-117-07	Mach. Nut 6-32 Hex	4
51	00-334075	Support – Vertical	1
52	00-183738	Plate – Switch Actuator	1
53	SC-055-01	Set Screw 10-24 x 1/4 Soc. Hdls., Cup Pt.	1
54	00-334048	Plunger	1
55	00-334046	Bushing	1
56	00-334202	Hook – Spring	2
57	00-334201	Nut – Adjusting	2
58	00-044622	Spring	2
59	00-330310	Stud – Elevator	3
60	SC-118-20	Cap Screw 1/4-20 x 1/2 Hex Hd.	3
61	WL-006-17	Lockwasher 1/4 Medium	3
62	RR-004-26	Retaining Ring	2
63	WS-022-23	Washer	2
64	00-333147	Spring – Slat (Torsion)	22
65	SC-037-87	Cap Screw 1/4-20 x 1 Hex Hd.	2
66	WL-003-38	Lockwasher 1/4 Medium	2
67	00-330310	Stud – Elevator	1
68	SC-036-13	Cap Screw 1/4-20 x 3/4 Hex Hd.	3
69	WL-003-38	Lockwasher 1/4 Medium	3
70	00-332717	Support – Vertical	1
71	00-332716	Plate – Elevator Mounting	1
72	00-334286	Support	2
73	00-334729	Plate – Switch	1
74	00-129666	Terminal Enclosure – Plastic	1



ELEVATOR PLATFORM ASSEMBLY (ML-26369)

ELEVATOR PLATFORM ASSEMBLY (ML-26369)

ILLUS. PL-56164	PART NO.	NAME OF PART	AMT.
1	00-334066	Slat – Elevator	34
2	SC-093-21	Mach. Screw 10-32 x $\frac{3}{8}$ Pan Hd.	10
3	WS-029-79	Washer	2
4	00-332912	Spacer	2
5	00-333147	Spring – Slat Tension	22
6	00-332212	Bracket – Stop (LH)	12
7	SC-116-32	Mach. Screw 10-32 x $\frac{3}{8}$ Hex Hd.	26
8	WL-006-07	Lockwasher #10 Medium	26
9	NS-048-19	Nut 10-32 Hex	26
10	00-332213	Bracket – Stop (RH)	12
11	00-332210	Platform – Elevator	1
12	SC-093-21	Mach. Screw 10-32 x $\frac{3}{7}$ Pan Hd.	2
13	00-332429	Stop – Package	2
14	00-332216	Rod – Elevator #1 Front	1
15	00-332218	Rod – Elevator #3 Front	1
16	00-332219	Rod – Elevator #2 Front	3
17	00-332217	Rod – Elevator #2 Side	2
18	00-332214	Rod – Elevator #4 Front	3
19	00-332215	Rod – Elevator Side	2
20	SC-116-30	Mach. Screw 6-3 x $1\frac{1}{4}$ Hex Hd.	1
21	WL-006-42	Lockwasher #6 Medium	1
22	NS-011-07	Nut 6-32 Hex	1
23	00-331291	Bracket – Elevator Latch	1
24	SC-116-32	Mach. Screw 10-32 x $\frac{3}{8}$ Hex Hd.	2
25	WL-006-07	Lockwasher #10 Medium	2
26	NS-048-19	Nut 10-32 Hex	2
27	00-331284	Latch – Elevator Platform	1
28	00-331285	Sleeve – Elevator Latch	1
29	00-331288	Torsion Spring – Latch	1
30	00-183897	Post – Elevator	1
31	SC-116-32	Mach. Screw 10-32 x $\frac{3}{8}$ Hex Hd.	2
32	WL-006-07	Lockwasher #10 Medium	2
33	NS-048-19	Nut 10-32 Hex	2
34	00-332912	Spacer	8
35	SC-093-21	Mach. Screw 10-32 x $\frac{3}{8}$ Pan Hd.	10
36	WS-029-79	Washer	8

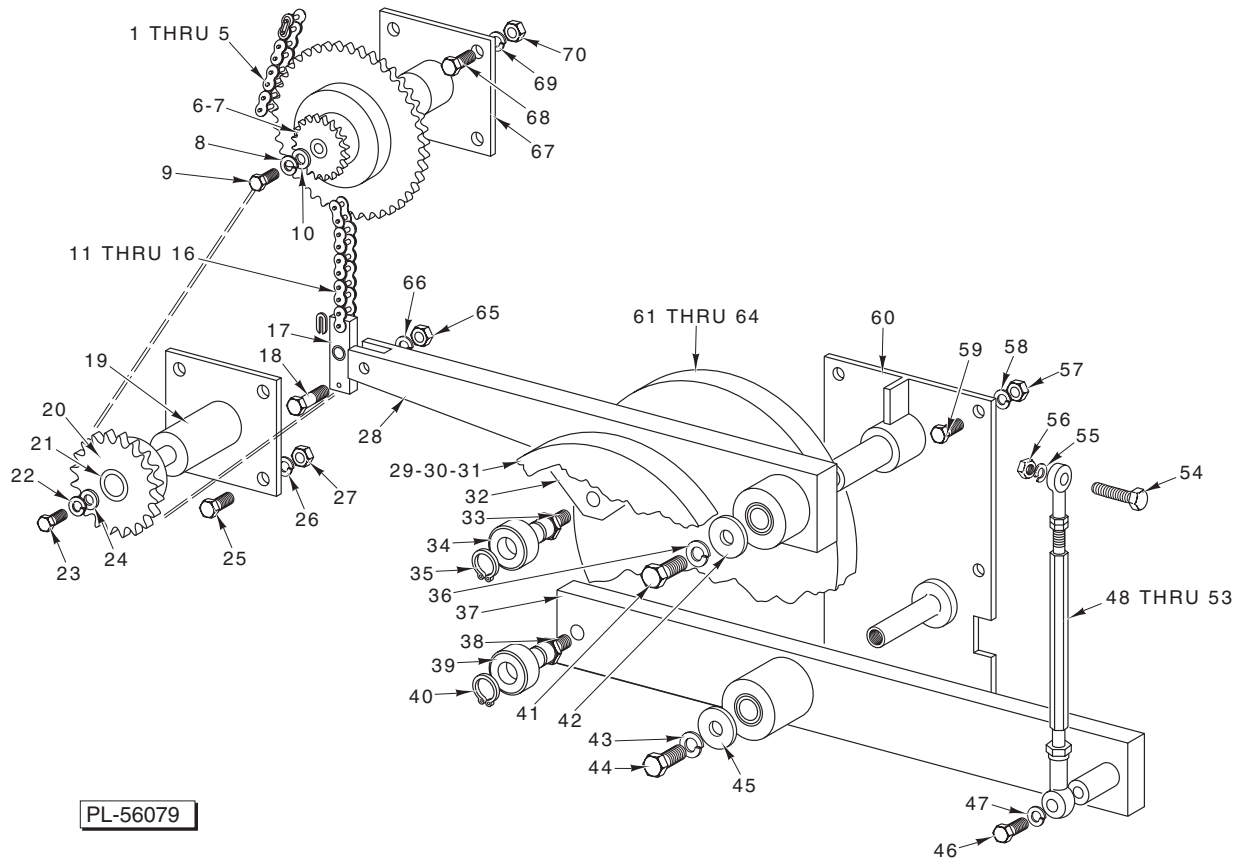


CLAMP AND SOLENOID ASSEMBLY

ILLUS.	PART NO.	NAME OF PART	AMT.
1	SC-014-53	Machine Screw 1/4-20 x 3/4 Flat Hd. (ML-26369)	2
2	00-331296	Gripper Plate & Pad Assy. (RH) (ML-26369)	1
3	00-331341	Gripper Plate & Pad Assy. (LH) (ML-26369)	1
4	00-331330	Clamp Plate & Pad Assy. (RH) (ML-26369)	1
5	00-331272	Clamp Plate & Pad Assy. (LH) (ML-26369)	1
6	SC-111-14	Mach. Screw 10-32 x 5/8 Pan Hd. (ML-26369)	4
7	WL-004-40	Lockwasher #10 Medium (ML-26369)	4
8	SC-118-19	Mach. Screw 1/4-20 x 3/4 Hex Hd. (ML-44025 & ML-44089)	2
9	00-334209	Plate - Side Clamp (Upper) (ML-44025 & ML-44089)	1
10	00-183708	Pad - Side Clamp (ML-44025 & ML-44089)	1
11	SC-014-92	Mach. Screw 10-32 x 1/2 Flat Hd. (ML-44025 & ML-44089)	4

CLAMP AND SOLENOID ASSEMBLY (Cont.)

ILLUS.	PART NO.	NAME OF PART	AMT.
	PL-56093		
12	00-333274	Clamp Plate & Pad Assy. (ML-44025 & ML-44089)	1
13	00-333517	Pad – Gripper Clamp (ML-44025 & ML-44089)	AR
14	00-333273	Plate – Gripper (ML-44025 & ML-44089)	AR
15	SC-047-42	Set Screw 3/8-16 x 1/2 Soc. Hdls., Cup Pt.	1
16	00-333516	Pivot Plate and Bearing Assy. (LH) (ML-44025 & ML-44089)	1
17	00-331559	Pivot Plate and Bearing Assy. (LH) (ML-26369)	1
18	SC-090-06	Cap Screw 1/4-28 x 2 1/4 Hex Hd.	1
19	00-330893	Arm – Clamp Assy.	1
20	SC-008-17	Mach. Screw 10-32 x 3/8 Rd. Hd. (ML-44025 & ML-44089)	1
21	SC-008-81	Mach. Screw 1/4-20x 1/2 Pan Hd. (ML-26369)	1
22	WS-030-53	Washer .203 x .375 (ML-44025 & ML-44089)	1
23	WS-022-10	Washer	1
24	00-030695	Cable Clip	1
25	SC-118-08	Cap Screw 3/8-16 x 1 3/4 Hex Hd.	2
26	WL-004-06	Lockwasher 3/8 Medium	2
27	SC-118-12	Cap Screw 3/8-16 x 3/4 Hex Hd.	2
28	WL-004-06	Lockwasher 3/8 Medium	2
29	SC-047-11	Set Screw 1/4-20 x 3/8 Soc. Hdls., Cup Pt.	1
30	00-330043	Plate – Side Clamp	2
31	SC-116-83	Cap Screw 3/8-16 x 1 1/2 Hex Hd.	2
32	WS-018-22	Washer	2
33	00-334055	Rod End Bearing (RH Thread)	1
34	00-334056	Rod End Bearing (LH Thread)	1
35	NS-013-27	Mach. Nut 3/8-24 (RH Thread)	1
36	NS-013-28	Mach. Nut 3/8-24 (LH Thread)	1
37	00-330040	Link Cross (1 Per Machine)	1
38	WL-004-06	Lockwasher 3/8 Medium	2
39	NS-009-43	Mach. Nut 3/8-16 Hex	2
40	00-330126	Shaft	1
41	00-333277	Clamp – Base Assy. (RH) (1 Per Machine) (ML-44025 & ML-44089)	1
42	00-330887	Clamp – Base Assy. (RH) (1 Per Machine) (ML-26369)	1
43	00-330888	Clamp – Base Assy. (LH) (1 Per Machine)	1
44	00-048353	Solenoid – Oil Immersed	1
45	00-334805	Plate – Adapter	1
46	SC-089-70	Cap Screw 10-32 x 5/8 Soc. Hd.	4
47	WL-004-40	Lockwasher #10 Medium	1
48	00-331276	Push Rod Assy. (Incls. Items 49, 50, & 51)	1
49	00-331562	Push Rod – Clamp Pivot	1
50	NS-013-27	Mach. Nut 3/8-24 Hex	1
51	00-086800	Rod End Bearing	1
52	00-331566	Spacer – Clamp Plate	1
53	00-331564	Spacer – Clamp Pivot	1
54	00-333515	Pivot Plate and Bearing Assy. (RH) (ML-44025 & ML-44089)	1
55	00-331560	Pivot Plate and Bearing Assy. (RH) (ML-26369)	1
56	WL-003-38	Lockwasher 1/4 Medium	1
57	NS-013-07	Mach. Nut 1/4-28 Hex	1
58	00-333336	Shaft – Clamp Pivot (ML-44025 & ML-44089)	1
59	00-331563	Shaft – Clamp Pivot (ML-26369)	1
	00-330655	Cross Linkage Assy. (Incls. Items 33 thru 37)	1
	00-031355	Cable Tie 6 In.	AR

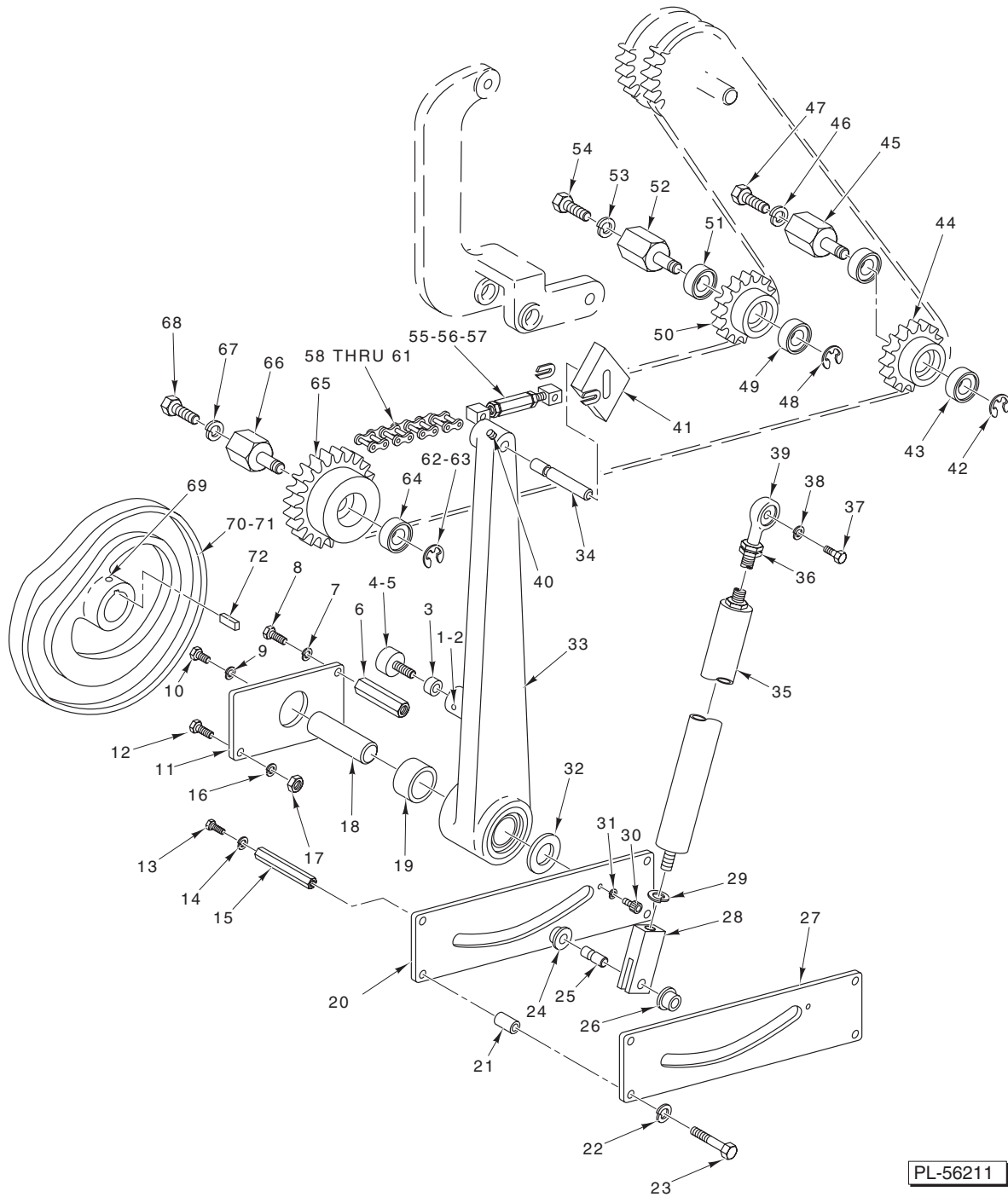


CAM AND LEVER

ILLUS.	PART NO.	NAME OF PART	AMT.
PL-56079			
1	00-047790	Chain (21.5 In. Lg.)	1
2	00-330069	Chain – Take-Up Assy.	2
3	00-047791	Chain – Underfolder (19 In. Lg.)	1
4	00-044784	Connecting Link #40	4
5	00-044785	Offset Link	1
6	00-048492	Sprocket Assy. – Underfolder	1
7	00-086780	Ball Bearing	2
8	WL-003-47	Lockwasher ⁵ / ₁₆ Medium	1
9	SC-117-99	Cap Screw ⁵ / ₁₆ -18 x ⁵ / ₈ Hex Hd.	1
10	WS-005-42	Washer	1
11	00-047793	Chain Assy. Folder (Incls. Items 12 thru 17)	2
12	00-044785	Offset Link	1
13	00-330069	Take-Up Assy. – Chain	1
14	00-047794	Chain (10 In. Lg.)	1
15	00-047795	Chain – Folders (12 In. Lg.)	1
16	00-044784	Connecting Link	3

CAM AND LEVER (Cont.)

ILLUS. PL-56079	PART NO.	NAME OF PART	AMT.
17	00-330328	Lever Link & Bearing Assy.	1
18	SC-037-74	Cap Screw $\frac{3}{8}$ -16 x $1\frac{1}{2}$ Hex Hd.	1
19	00-330333	Stud Assy. – Underfolder	1
20	00-334481	Sprocket & Spacer Assy.	4
21	00-086780	Ball Bearing	2
22	WL-003-47	Lockwasher $\frac{5}{16}$ Medium	1
23	SC-117-99	Cap Screw $\frac{5}{16}$ -18 x $\frac{5}{8}$ Hex Hd.	1
24	WS-005-42	Washer	1
25	SC-118-11	Cap Screw $\frac{3}{8}$ -16 x $\frac{7}{8}$ Hex Hd.	4
26	WL-004-06	Lockwasher $\frac{3}{8}$ Medium	4
27	NS-009-43	Mach. Nut $\frac{3}{8}$ -16 Hex	4
28	00-330288	Lever Assy. – Underfolder (Incls. Items 32 thru 35)	1
29	00-330331	Cam – Underfolder	1
30	00-330644	Key – Drive Shaft	1
31	SC-047-41	Set Screw $\frac{3}{8}$ -16 x $\frac{3}{8}$ Soc. Hdls., Cup Pt.	2
32	SC-047-75	Set Screw $\frac{1}{4}$ -20 x $\frac{1}{4}$ Soc. Hdls., Cup Pt. (Retains Item 33)	1
33	00-330139	Stud – Cam Bearing	1
34	00-086782	Bearing – Fafnir P/N W0203PP	1
35	RR-010-17	Retaining Ring	1
36	WL-004-11	Lockwasher $\frac{1}{2}$ Medium	1
37	00-330287	Lever Assy. – Clamp (Incls. Items 38, 39, & 40)	1
38	00-330139	Stud – Cam Bearing	1
39	00-086782	Bearing – Fafnir P/N W203PP	1
40	RR-010-17	Retaining Ring	1
41	SC-117-96	Cap Screw $\frac{1}{2}$ -20 x 1 Hex Hd.	1
42	WS-020-06	Washer	1
43	WL-004-11	Lockwasher $\frac{1}{2}$ Medium	1
44	SC-117-96	Cap Screw $\frac{1}{2}$ -20 x 1 Hex Hd.	1
45	WS-020-06	Washer	1
46	SC-118-10	Cap Screw $\frac{3}{8}$ -16 x 1 Hex Hd.	1
47	WL-004-06	Lockwasher $\frac{3}{8}$ Medium	1
48	00-333427	Linkage Assy. (Incls. Items 49 thru 53)	1
49	NS-013-28	Mach. Nut $\frac{3}{8}$ -24 Hex (LH)	1
50	NS-013-27	Mach. Nut $\frac{3}{8}$ -24 Hex (RH)	1
51	00-333428	Link – Clamp Lever	1
52	00-334055	Rod End Bearing (RH Thd.)	1
53	00-334056	Rod End Bearing (LH Thd.)	1
54	SC-116-83	Cap Screw $\frac{3}{8}$ -16 x $1\frac{1}{2}$ Hex Hd.	1
55	WL-004-06	Lockwasher $\frac{3}{8}$ Medium	1
56	NS-009-43	Mach. Nut $\frac{3}{8}$ -16 Hex	1
57	NS-009-43	Mach. Nut $\frac{3}{8}$ -16 Hex	6
58	WL-004-06	Lockwasher $\frac{3}{8}$ Medium	6
59	SC-118-11	Cap Screw $\frac{3}{8}$ -16 x $\frac{7}{8}$ Hex Hd.	6
60	00-330374	Stud – Weldment	1
61	00-330546	Cam – Side Clamp (ML-26369)	1
62	00-333221	Cam – Side Clamp (ML-44025 & ML-44089)	1
63	00-330644	Key Drive Shaft	1
64	SC-047-41	Set Screw $\frac{3}{8}$ -16 x $\frac{3}{8}$ Soc. Hdls., Cup Pt.	2
65	NS-032-18	Lock Nut $\frac{3}{8}$ -16 Flexloc	1
66	WL-004-06	Lockwasher $\frac{3}{8}$ Medium	1
67	00-330330	Stud Weldment – Underfolder	1
68	SC-118-11	Cap Screw $\frac{3}{8}$ -16 x $\frac{7}{8}$ Hex Hd. (ML-44025 & ML-44089)	4
69	WL-004-06	Lockwasher $\frac{3}{8}$ Medium	4
70	NS-009-43	Mach. Nut $\frac{3}{8}$ -16 Hex	4



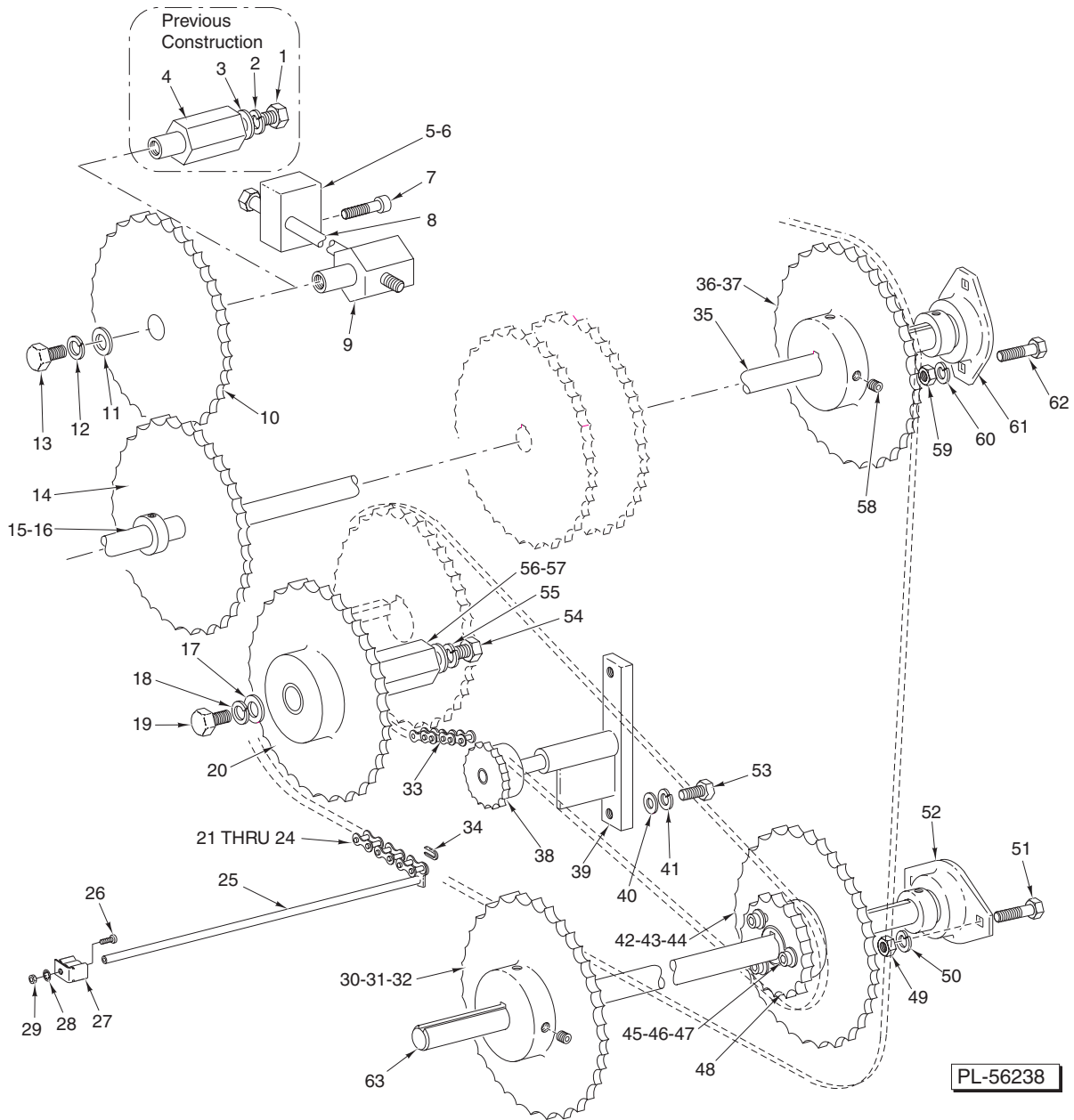
PL-56211

OUTER LEVER (GRIPPER)

ILLUS.	PART NO.	NAME OF PART	AMT.
	PL-56211		
1	00-333631	Set Screw 1/4-20 x 1/4 Soc. Hdls., Cup Pt. (Use With Item 4)	1
2	SC-047-39	Set Screw 5/16-18 x Soc. Hdls., Half Dog Pt.	1
3	00-331409	Spacer – Cam Follower (Use With Item 4)	1
4	00-331326	Follower – Cam (1/4-20 Thread)	1
5	00-259547	Follower – Cam (3/4-16 Thread)	1
6	00-331367	Spacer – Front Mechanism	2
7	WL-004-06	Lockwasher 3/8 Medium	2
8	SC-118-09	Cap Screw 3/8-16 x 1 1/4 Hex Hd.	2
9	WL-004-06	Lockwasher 3/8 Medium	1

OUTER LEVER (GRIPPER) (Cont.)

ILLUS.	PART NO.	NAME OF PART	AMT.
10	SC-118-12	Cap Screw $\frac{3}{8}$ -16 x $\frac{3}{4}$ Hex Hd.	1
11	00-331363	Plate – Wall	1
12	SC-118-09	Cap Screw $\frac{3}{8}$ -16 x $1\frac{1}{4}$ Hex Hd.	1
13	SC-118-12	Cap Screw $\frac{3}{8}$ -16 x $\frac{3}{4}$ Hex Hd.	2
14	WL-004-06	Lockwasher $\frac{3}{8}$ Medium	2
15	00-331366	Spacer – Rear Mechanism	2
16	WL-004-06	Lockwasher $\frac{3}{8}$ Medium	1
17	NS-009-43	Mach. Nut $\frac{3}{8}$ -16 Hex	1
18	00-331370	Pin – Feed Lever	1
19	00-331365	Spacer – Lever	1
20	00-333592	Plate – Film Feed Adj.	1
21	00-331364	Spacer – Mech. Plates	2
22	WL-004-06	Lockwasher $\frac{3}{8}$ Medium	4
23	SC-118-07	Cap Screw $\frac{3}{8}$ -16 x 2 Hex Hd.	4
24	00-331369	Roller – Adjusting	1
25	00-331360	Pin – Adjusting	1
26	00-331369	Roller – Adjusting	1
27	00-333592	Plate – Film Feed Adj.	1
28	00-331359	Yoke & Bearing Assy.	1
29	WL-004-06	Lockwasher $\frac{3}{8}$ Medium	1
30	SC-089-02	Cap Screw $\frac{1}{4}$ -20 x $\frac{3}{4}$ Soc. Hd.	1
31	WL-003-38	Lockwasher $\frac{1}{4}$ Medium	1
32	00-331371	Washer – Feed Lever Pin	1
33	00-259623	Output Lever Assy. (Incls. Items 2 & 5)	1
34	00-331352	Pin – Output to Adj.	1
35	00-334259	Link Adjustor Assy. (Incls. Items 36 & 39)	1
36	NS-013-27	Mach. Nut $\frac{3}{8}$ -24 Hex	1
37	SC-118-09	Cap Screw $\frac{3}{8}$ -16 x $1\frac{1}{4}$ Hex Hd.	1
38	WL-004-06	Lockwasher $\frac{3}{8}$ Medium	1
39	00-334055	Rod End Bearing (RH Thd.)	1
40	SC-047-75	Set Screw $\frac{1}{4}$ -20 x $\frac{1}{4}$ Soc. Hdls., Cup Pt.	1
41	00-331351	Block – Connecting	1
42	RR-011-05	Retaining Ring	1
43	00-086780	Bearing – Fafnir #S5KDD	2
44	00-334481	Sprocket & Spacer Assy.	1
45	00-330614	Stud – Pusher Idler	1
46	WL-004-11	Lockwasher $\frac{1}{2}$ Medium	1
47	SC-117-96	Cap Screw $\frac{1}{2}$ -20 x 1 Hex Hd.	1
48	RR-011-05	Retaining Ring	1
49	00-086780	Bearing – Fafnir #S5KDD	1
50	00-334481	Sprocket & Spacer Assy.	1
51	00-086780	Bearing – Fafnir #S5KDD	1
52	00-330614	Stud – Idler Pusher	1
53	WL-004-11	Lockwasher $\frac{1}{2}$ Medium	1
54	SC-117-96	Cap Screw $\frac{1}{2}$ -20 x 1 Hex Hd.	1
55	NS-013-07	Mach. Nut $\frac{1}{4}$ -28 Hex (RH)	1
56	NS-013-08	Mach. Nut $\frac{1}{4}$ -28 Hex (LH)	1
57	00-330069	Take-Up Assy. – Chain (Incls. Items 55 & 56)	1
58	00-044785	Offset Link	1
59	00-044784	Link #40 Connecting	3
60	00-047798	Chain #40	1
61	00-047797	Chain Assy. – Pusher (Incls. Items 41, 57, 58, 59, & 60)	1
62	WS-029-19	Washer	1
63	RR-011-05	Retaining Ring	1
64	00-086780	Bearing – Fafnir #S5KDD	2
65	00-334479	Sprocket Assy. – Pusher	1
66	00-330614	Stud – Idler Pusher	1
67	WL-004-11	Lockwasher $\frac{1}{2}$ Medium	1
68	SC-117-96	Cap Screw $\frac{1}{2}$ -20 x 1 Hex Hd.	1
69	SC-047-41	Set Screw $\frac{3}{8}$ -16 x $\frac{3}{8}$ Soc. Hdls., Cup Pt.	2
70	00-333309	Cam – Output Lever (ML-44025 & ML-44089)	1
71	00-331462	Cam – Output Lever (ML-26369)	1
72	00-330644	Key – Drive Shaft	1

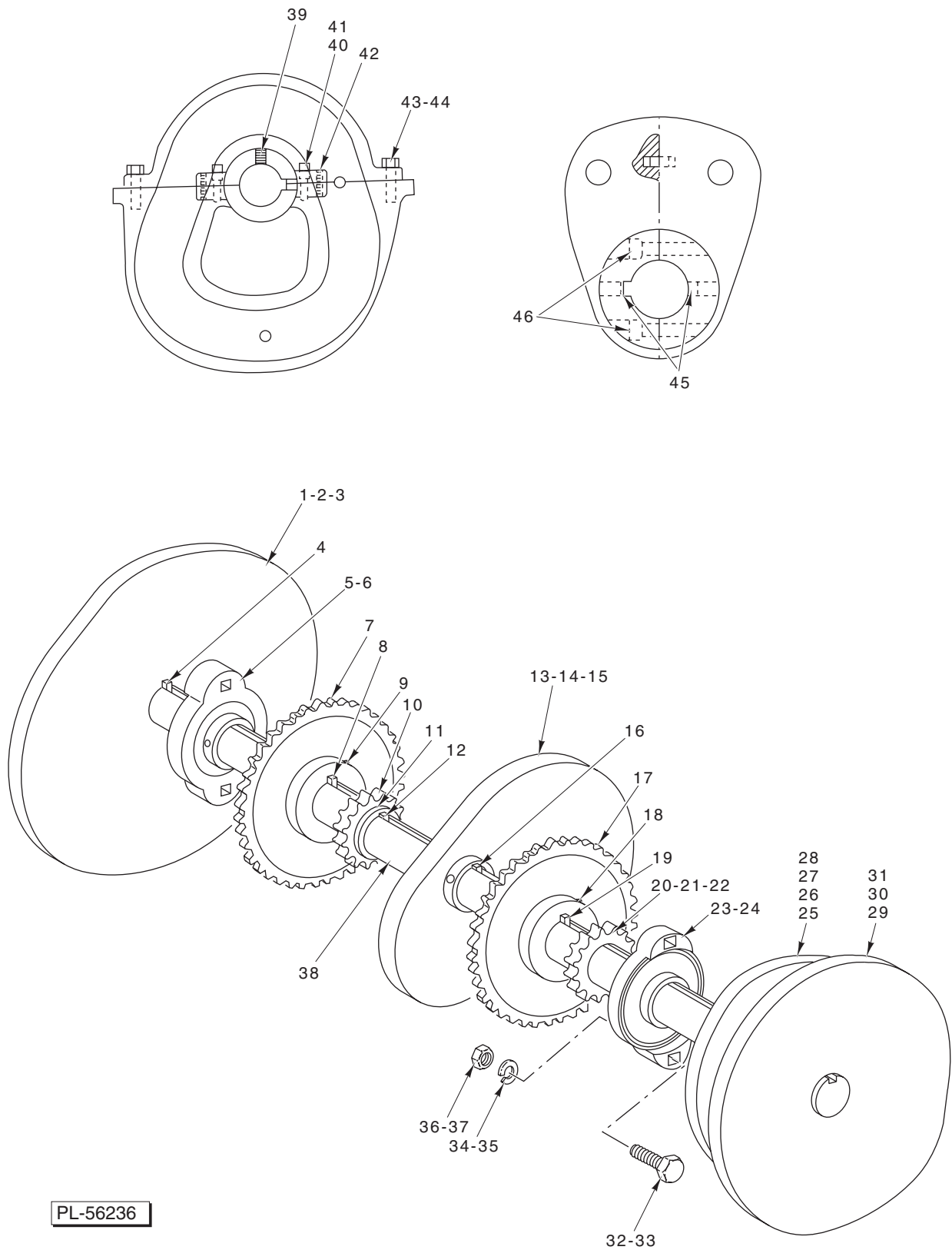


PACKAGE PLATFORM GEAR AND CHAIN ASSEMBLY

ILLUS.	PART NO.	NAME OF PART	AMT.
PL-56238			
1	SC-062-60	Cap Screw 1/2-20 x 1 Hex Hd.	2
2	WL-004-11	Lockwasher 1/2 Medium	2
3	WS-024-07	Washer	2
4	00-330047	Stud – Package Chain	1
5	00-333947	Block – Connecting (RH)	1

PACKAGE PLATFORM GEAR AND CHAIN ASSEMBLY (Cont.)

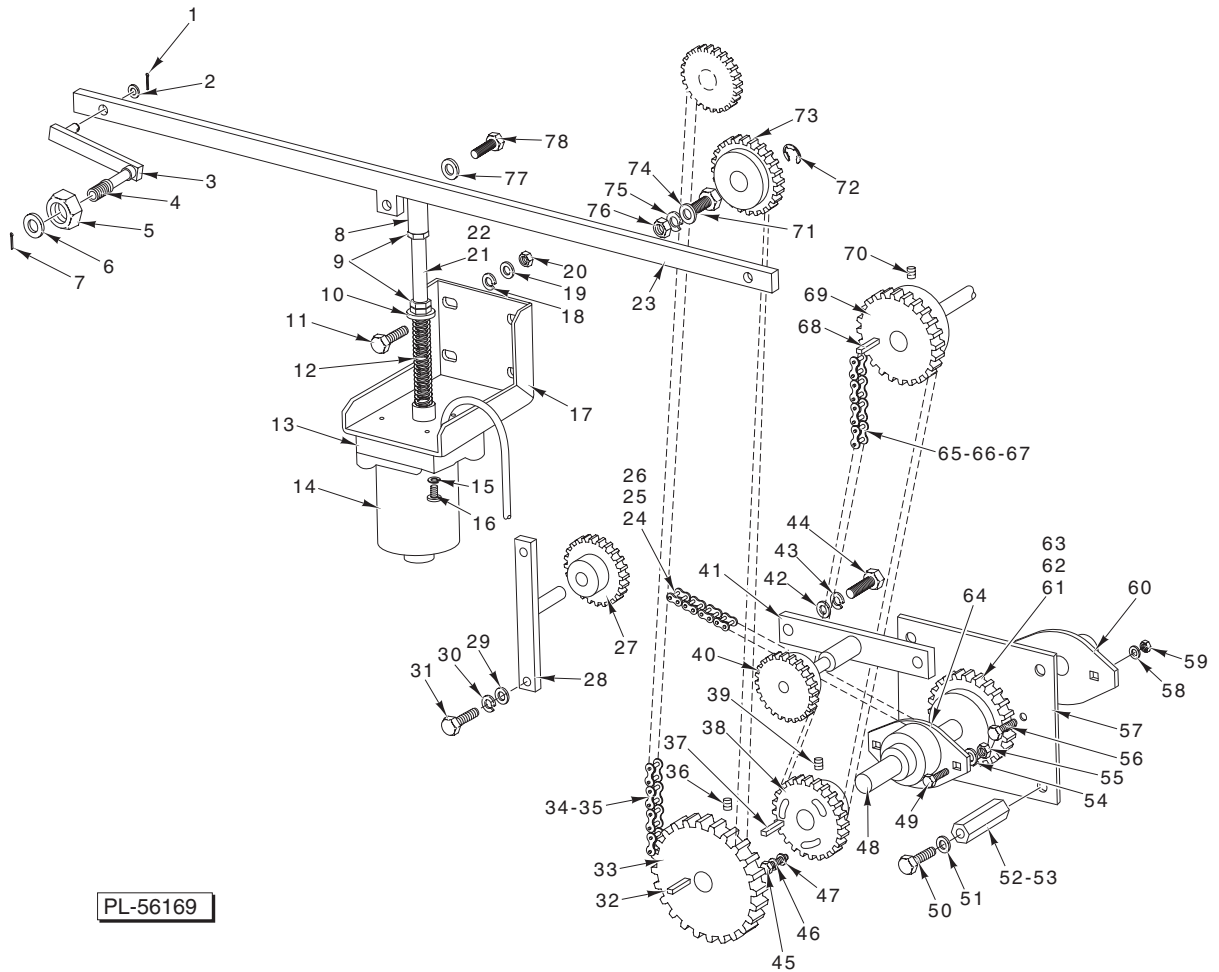
ILLUS. PL-56238	PART NO.	NAME OF PART	AMT.
6	00-333946	Block – Connecting (LH)	1
7	SC-118-09	Cap Screw $\frac{3}{8}$ -16 x $1\frac{1}{4}$ Hex Hd.	4
8	00-333958	Bolt – Hex $7\frac{3}{4}$ Lg.	2
9	00-333948	Stud – Package Chain	2
10	00-330073	Sprocket Assy.	2
11	WS-020-06	Washer	2
12	WL-004-11	Lockwasher $\frac{1}{2}$ Medium	2
13	SC-117-98	Cap Screw $\frac{1}{2}$ -20 x $\frac{3}{4}$ Hex Hd.	2
14	00-330073	Sprocket Assy.	1
15	00-084734	Collar (Incls. Item 16)	2
16	SC-047-32	Set Screw $\frac{5}{16}$ -18 x $\frac{3}{8}$ Soc. Hdls., Cup Pt.	4
17	WS-020-06	Washer	2
18	WL-004-11	Lockwasher $\frac{1}{2}$ Medium	2
19	SC-117-98	Cap Screw $\frac{1}{2}$ -20 x $\frac{3}{4}$ Hex Hd.	2
20	00-330073	Sprocket Assy.	2
21	00-047802	Chain (34 In. Lg. 67 Pitches)	6
22	00-047801	Chain (10 In. Lg. 19 Pitches) (Rod Section)	6
23	00-047799	Platform Chain Assy. (RH) (Incls. Items 21, 22, & 26 thru 29)	1
24	00-047800	Platform Chain Assy. (LH) (Incls. Items 21, 22, & 26 thru 29)	1
25	00-334882	Rod – Package	24
26	SC-114-07	Mach. Screw 6-32 x $\frac{1}{4}$ Phil. Pan Hd.	48
27	00-334799	Clip – Spring	48
28	WL-013-05	Lockwasher #6 Internal	48
29	NS-011-07	Nut 6-32 Hex	48
30	00-330052	Sprocket & Hub Assy.	1
31	SC-047-72	Set Screw $\frac{1}{4}$ -20 x $\frac{3}{8}$ Soc. Hdls., Cup Pt.	2
32	00-087789	Key	1
33	00-047810	Chain Assy. Platform Drive (57 $\frac{1}{2}$ In. Lg.) (Incls. Item 34)	1
34	00-044784	Connecting Link #40	10
35	00-334204	Shaft – Package Chain	1
36	00-330048	Sprocket – Platform Drive	1
37	00-087789	Key	1
38	00-129967	Sprocket & Bearing Assy.	1
39	00-332043	Chain Adjustment Assy.	1
40	WS-018-22	Washer	2
41	WL-004-06	Lockwasher $\frac{3}{8}$ Medium	2
42	00-126036	Key – Motor	1
43	SC-075-15	Set Screw $\frac{5}{16}$ -18 x $\frac{3}{8}$ Soc. Hdls., Cup Pt.	2
44	00-333038	Sprocket Assy.	1
45	SC-089-17	Cap Screw $\frac{5}{16}$ -18 x 1 Soc. Hd.	3
46	WL-003-47	Lockwasher $\frac{5}{16}$ Medium	3
47	WS-005-42	Washer	3
48	00-331222	Sprocket	1
49	NS-013-14	Mach. Nut $\frac{5}{16}$ -18 Hex	4
50	WL-003-47	Lockwasher $\frac{5}{16}$ Medium	4
51	SC-117-92	Cap Screw $\frac{5}{16}$ -18 x $\frac{3}{4}$ Hex Hd.	4
52	00-333019	Bearing	2
53	SC-118-12	Cap Screw $\frac{3}{8}$ -16 x $\frac{3}{4}$ Hex Hd.	2
54	SC-117-96	Cap Screw $\frac{1}{2}$ -20 x 1 Hex Hd.	2
55	WL-004-11	Lockwasher $\frac{1}{2}$ Medium	2
56	00-333377	Stud – Package Chain (ML-44025 & ML-44089)	2
57	00-330047	Stud – Package Chain (ML-26369)	2
58	SC-075-15	Set Screw $\frac{5}{16}$ -18 x $\frac{3}{8}$ Soc. Hdls., Cup Pt.	2
59	NS-013-14	Mach. Nut $\frac{5}{16}$ -18 Hex	4
60	WL-003-47	Lockwasher $\frac{5}{16}$ Medium	4
61	00-333019	Bearing	2
62	SC-117-92	Cap Screw $\frac{5}{16}$ -18 x $\frac{3}{4}$ Hex Hd.	2
63	00-334204	Shaft – Chain Drive	1
	00-333039	Sprocket & Hub Assy. (Incls. Items 44 thru 48)	1
	00-334914	Platform Chain Assy. Kit (Incls. Items 23, 24, & 25)	1



MAIN DRIVE SHAFT

MAIN DRIVE SHAFT

ILLUS.	PART NO.	NAME OF PART	AMT.
	PL-56236		
1	00-331462	Cam – Output Lever (ML-26369)	1
2	00-333309	Cam – Output Lever (ML-44025 & ML-44089)	1
3	SC-047-41	Set Screw $\frac{3}{8}$ -16 x $\frac{3}{8}$ Soc. Hdls., Cup Pt.	2
4	00-330644	Key $\frac{3}{8}$ x $1\frac{3}{16}$ Lg.	1
5	00-331000	Bearing – 2 Mounting Holes	1
6	00-334817	Bearing – 4 Mounting Holes	1
7	00-333551	Sprocket (44T) – Main Drive	1
8	00-330644	Key $\frac{3}{8}$ x $1\frac{3}{16}$ Lg.	1
9	SC-047-44	Set Screw $\frac{3}{8}$ -16 x $\frac{5}{8}$ Soc. Hdls., Cup Pt.	2
10	00-330269	Sprocket – Clock Drive	1
11	SC-075-15	Set Screw $\frac{5}{16}$ -18 x $\frac{3}{8}$ Soc. Hdls., Cup Pt.	2
12	00-330644	Key $\frac{3}{8}$ x $1\frac{3}{16}$ Lg.	1
13	00-334644-00002	Split Cam – Elevator (ML-26369)	1
14	00-042384	Split Cam – Elevator (ML-44025 & ML-44089)	1
15	00-184309	Solid Cam – Elevator (ML-44025 & ML-44089)	1
16	00-125278	Key $\frac{3}{8}$ x 2 Lg.	1
17	00-333551	Sprocket (44T) – Package Platform Drive	1
18	SC-047-44	Set Screw $\frac{3}{8}$ -16 x $\frac{5}{8}$ Soc. Hdls., Cup Pt.	2
19	00-330644	Key $\frac{3}{8}$ x $1\frac{3}{16}$ Lg.	1
20	00-330054	Sprocket – Knife Drive	1
21	SC-047-44	Set Screw $\frac{3}{8}$ -16 x $\frac{5}{8}$ Soc. Hdls., Cup Pt.	2
22	00-330644	Key $\frac{3}{8}$ x $1\frac{3}{16}$ Lg.	1
23	00-331000	Bearing – 2 Mounting Holes	1
24	00-334817	Bearing – 4 Mounting Holes	1
25	00-330546	Cam – Side Clamp (ML-26369)	1
26	00-333221	Cam – Side Clamp (ML-44025 & ML-44089)	1
27	SC-047-41	Set Screw $\frac{3}{8}$ -16 x $\frac{3}{8}$ Soc. Hdls., Cup Pt.	2
28	00-330644	Key $\frac{3}{8}$ x $1\frac{3}{16}$ Lg.	1
29	00-330331	Cam – Underfolder	1
30	SC-047-44	Set Screw $\frac{3}{8}$ -16 x $\frac{5}{8}$ Soc. Hdls., Cup Pt.	2
31	00-330644	Key $\frac{3}{8}$ x $1\frac{3}{16}$ Lg.	1
32	SC-116-83	Cap Screw $\frac{3}{8}$ -16 x $1\frac{1}{2}$ Hex Hd. (Use With Items 5 & 23)	2
33	SC-121-78	Cap Screw $\frac{1}{2}$ -13 x $1\frac{1}{2}$ Hex Button Hd. (Use With Items 6 & 24)	8
34	WL-004-06	Lockwasher $\frac{3}{8}$ Medium (Use With Items 5 & 23)	2
35	WL-004-41	Lockwasher $\frac{1}{2}$ Helical (Use With Items 6 & 24)	8
36	NS-013-25	Mach. Nut $\frac{3}{8}$ -16 Hex (Use With Items 5 & 23)	2
37	NS-013-33	Nut $\frac{1}{2}$ -13 Hex (Use With Items 6 & 24)	8
38	00-330066	Shaft – Main Drive	1
39	SC-047-44	Set Screw $\frac{3}{8}$ -16 x $\frac{5}{8}$ Soc. Hdls., Cup Pt.	2
40	SC-089-04	Cap Screw $\frac{1}{4}$ -20 x 1 Soc. Hd.	2
41	WL-003-38	Lockwasher $\frac{1}{4}$ Helical	2
42	RP-003-07	Roll Pin $\frac{3}{16}$ Dia. x $\frac{3}{4}$ Lg.	2
43	SC-120-38	Cap Screw $\frac{5}{16}$ -18 x 1 Hex Hd.	2
44	WL-006-23	Lockwasher $\frac{5}{16}$ Helical (SST)	2
45	SC-047-42	Set Screw $\frac{3}{8}$ -16 x $\frac{1}{2}$ Soc. Hdls., Cup Pt.	2
46	SC-089-17	Cap Screw $\frac{5}{16}$ -18 x 1 Soc. Hd.	4



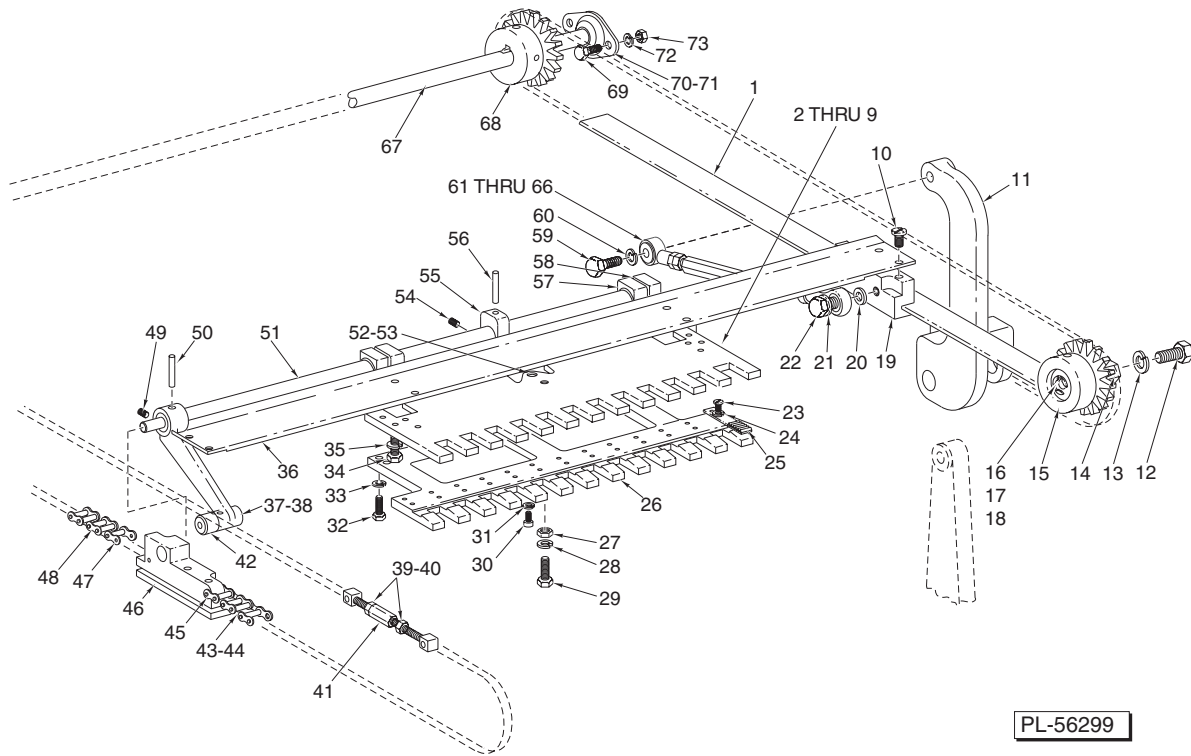
PL-56169

GRIPPER ADJUSTMENT AND DISCHARGE DRIVE

ILLUS.	PART NO.	NAME OF PART	AMT.
PL-56169			
1	PC-005-07	Cotter Pin	1
2	WS-017-25	Washer	2
3	00-332908	Lever Assy. – Rail	2
4	00-331642	Insert – Rail Pivot	2
5	NS-013-75	Mach. Nut ⁵ / ₈ -18 Hex	2
6	WS-018-22	Washer	2
7	PC-005-17	Cotter Pin	2
8	00-086800	Bearing – Rod End	1
9	NS-013-27	Mach. Nut ³ / ₈ -24 Hex	3
10	WS-018-22	Washer	1
11	SC-118-10	Cap Screw ³ / ₈ -16 x 1 Hex Hd.	4
12	00-331252	Spring	1
13	00-334805	Adapter – Plate	1
14	00-048353	Solenoid – Oil Immersed	1
15	WL-004-40	Lockwasher #10 Medium	4
16	SC-089-69	Cap Screw 10-32 x ¹ / ₂ Soc. Hd.	4

GRIPPER ADJUSTMENT AND DISCHARGE DRIVE (Cont.)

ILLUS. PL-56169	PART NO.	NAME OF PART	AMT.
17	00-333112	Bracket – Solenoid	1
18	WS-018-22	Washer	4
19	WL-004-06	Lockwasher $\frac{3}{8}$ Medium	4
20	NS-009-43	Mach. Nut $\frac{3}{8}$ -16 Hex	4
21	00-330882	Link – Gripper Solenoid	1
22	00-330883	Link Assy. (Incls. 8, 9, & 21)	1
23	00-330273	Rail & Bearing Assy.	1
24	00-044784	Link – Connecting	1
25	00-044785	Link – Offset	1
26	00-047803	Chain	1
27	00-129967	Sprocket & Bearing Assy.	1
28	00-330241	Chain Adjustment Assy.	1
29	WS-018-22	Washer	2
30	WL-004-06	Lockwasher $\frac{3}{8}$ Medium	2
31	SC-118-12	Cap Screw $\frac{3}{8}$ -16 x $\frac{3}{4}$ Hex Hd.	2
32	00-087789	Key $\frac{3}{16}$ x 1	1
33	00-331438	Sprocket – Discharge Drive	1
34	00-047805	Chain – Discharge	1
35	00-044784	Link – Connecting	1
36	SC-047-11	Set Screw $\frac{1}{4}$ -20 x $\frac{3}{8}$ Soc. Hdls., Cup Pt.	2
37	00-087789	Key $\frac{3}{16}$ x 1	1
38	00-333031	Sprocket – Knife Drive	1
39	SC-075-15	Set Screw $\frac{5}{16}$ -18 x $\frac{3}{8}$ Soc. Hd., Cup Pt.	2
40	00-129967	Sprocket & Bearing Assy.	1
41	00-331228	Chain Adjusting Assy. – Knife	1
42	WS-018-22	Washer	2
43	WL-004-06	Lockwasher $\frac{3}{8}$ Medium	2
44	SC-118-12	Cap Screw $\frac{3}{8}$ -16 x $\frac{3}{4}$ Hex Hd.	2
45	SC-117-91	Cap Screw $\frac{1}{4}$ -20 x 1 Hex Hd.	3
46	WL-003-38	Lockwasher $\frac{1}{4}$ Medium	3
47	WS-022-10	Washer	3
48	00-330232	Shaft – Knife Idler	1
49	SC-117-92	Cap Screw $\frac{5}{16}$ -18 x $\frac{3}{4}$ Hex Hd.	2
50	SC-118-12	Cap Screw $\frac{3}{8}$ -16 x $\frac{3}{4}$ Hex Hd.	4
51	WL-004-06	Lockwasher $\frac{3}{8}$ Medium	4
52	00-330226	Spacer – Bearing Plate (Use With 2 Bolt Main Shaft Bearings)	4
53	00-047693	Spacer – Bearing Plate (Use With 4 Bolt Main Shaft Bearings)	4
54	WL-003-47	Lockwasher $\frac{5}{16}$ Medium	2
55	NS-013-14	Mach. Nut $\frac{5}{16}$ -18 Hex	2
56	SC-117-92	Cap Screw $\frac{5}{16}$ -18 x $\frac{3}{4}$ Hex Hd.	2
57	00-330225	Plate – Bearing Mounting	1
58	WL-003-47	Lockwasher $\frac{5}{16}$ Medium	2
59	NS-013-14	Mach. Nut $\frac{5}{16}$ -18 Hex	2
60	00-333019	Bearing	1
61	00-330103	Sprocket – Knife Drive	1
62	SC-075-15	Set Screw $\frac{5}{16}$ -18 x $\frac{3}{8}$ Soc. Hdls., Cup Pt.	2
63	00-087789	Key	1
64	00-333019	Bearing	1
65	00-047804	Chain – Drive	1
66	00-044784	Link – Connecting	1
67	00-044785	Link – Offset	1
68	00-087789	Key $\frac{3}{16}$ x 1	1
69	00-330053	Sprocket – Knife	1
70	SC-075-15	Set Screw $\frac{5}{16}$ -18 x $\frac{3}{8}$ Soc. Hd., Cup Pt.	2
71	00-049629	Kit – Sprocket/Stud Replacement	1
72	RR-008-13	Retaining Ring	1
73	00-049629	Kit – Sprocket/Stud Replacement	1
74	WL-024-07	Washer	1
75	WL-004-11	Lockwasher $\frac{1}{2}$ Medium	1
76	NS-013-36	Mach. Nut $\frac{1}{2}$ -20 Hex	1
77	WL-004-06	Lockwasher $\frac{3}{8}$ Medium	1
78	SC-118-10	Cap Screw $\frac{3}{8}$ -16 x 1 Hex Hd.	1



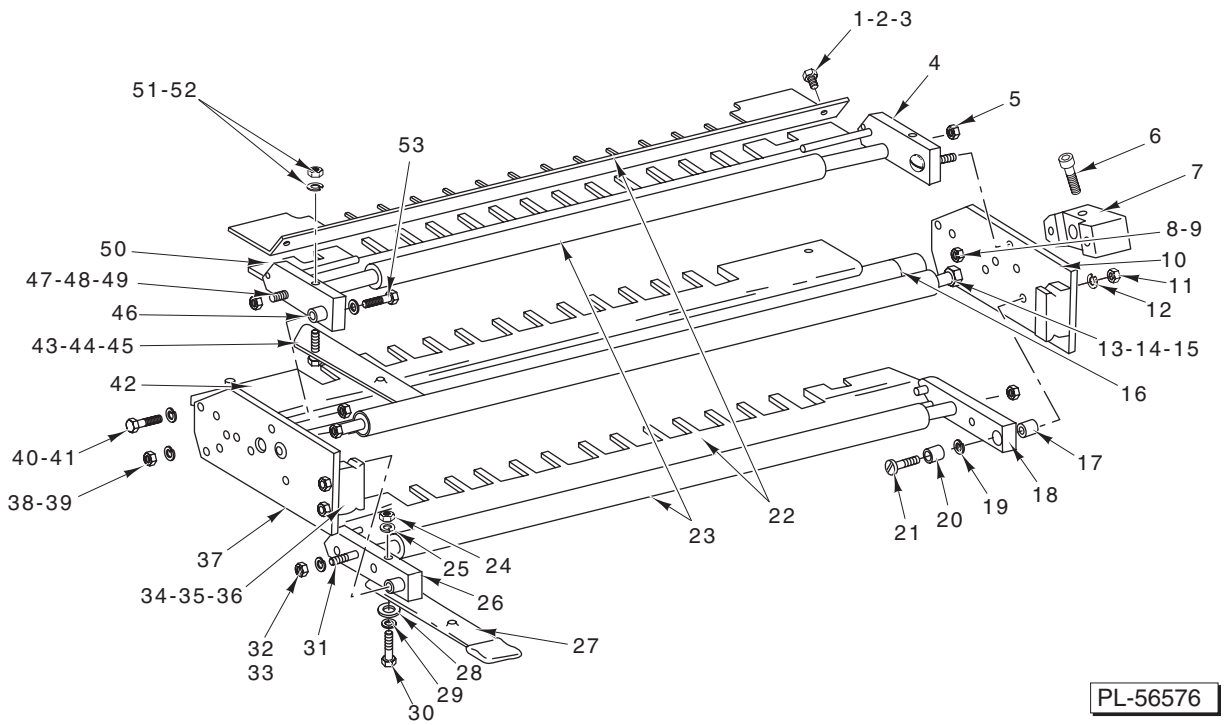
PL-56299

GRIPPER

ILLUS.	PART NO.	NAME OF PART	AMT.
PL-56299			
1	00-330100	Support – Film Retainer	2
2	00-043929	Plate Assy. – Upper Gripper (Use With Pop-In Pads)	1
3	00-043454	Gripper Pad Set (13) (Black) (Pop-In)	AR
4	00-043452	Gripper Pad Set (13) (Gray) (Pop-In)	AR
5	00-044508-00001	Shim – Plastic (0.005 In. Thk.)	AR
6	00-044508-00002	Shim – Plastic (0.010 In. Thk.)	AR
7	00-044508-00003	Shim – Plastic (0.015 In. Thk.)	AR
8	00-183599	Pads – Pressure Sensitive (Gray)	AR
9	00-184350	Pads – Pressure Sensitive (Black)	AR
10	SC-112-33	Mach. Screw 1/4-20 x 1/2 Pan Hd.	4
11	00-331376	Adjusting Lever & Bearing Assy.	1
12	SC-117-98	Cap Screw 1/2-20 x 3/4 Hex Hd.	2
13	WL-004-11	Lockwasher 1/2 Medium	2
14	00-049629	Kit – Sprocket/Stud Replacement	2
15	00-086780	Ball Bearing – Fafnir S5KDD (ML-26369)	2
16	RR-011-05	Retaining Ring	2
17	SC-037-71	Cap Screw 3/8-16 x 3/4 Hex Hd. (ML-26369)	2
18	WL-004-06	Lockwasher 3/8 Medium (ML-26369)	2
19	00-331591	Bearing – Gripper Slide (LH)	1
20	WS-018-22	Washer	1
21	WL-004-06	Lockwasher 3/8 Medium	1
22	SC-118-09	Cap Screw 3/8-16 x 1 1/4 Hex Hd.	1

GRIPPER (Cont.)

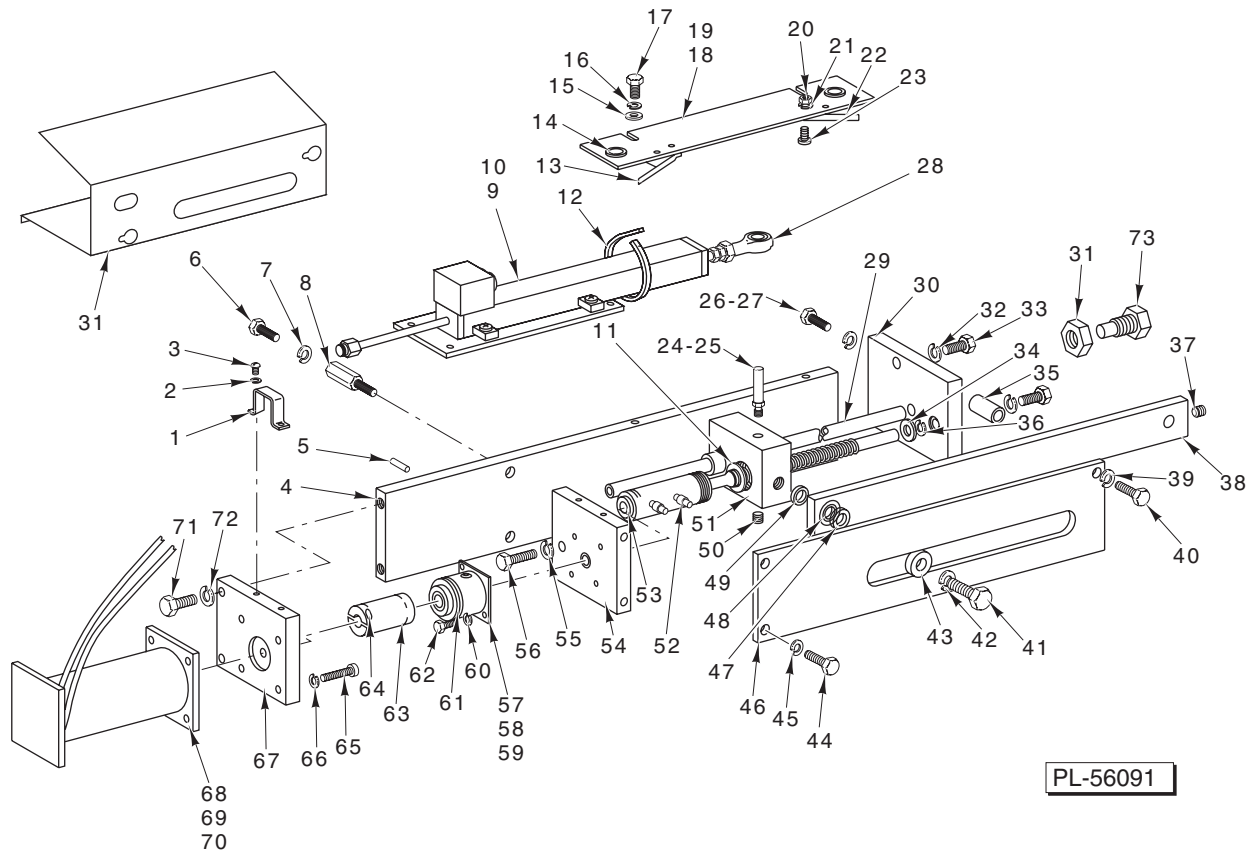
ILLUS.	PART NO.	NAME OF PART	AMT.
PL-56299			
23	SC-018-31	Mach. Screw 8-32 x 3/8 Phil. Pan Hd.	26
24	WL-003-12	Lockwasher #8 Medium.....	26
25	00-332404	Spring & Rod Assy.	13
26	00-331593	Plate – Gripper Lower.....	1
27	NS-013-02	Mach. Nut 1/4-20 Hex	1
28	WS-017-25	Washer	1
29	SC-090-18	Cap Screw 1/4-20 x 1 3/8 Hex Hd.	1
30	SC-089-69	Cap Screw 10-32 x 1/2 Soc. Hd.	1
31	WL-008-13	Lockwasher #10 Internal Shakeproof	1
32	SC-089-02	Cap Screw 1/4-20 x 3/4 Hex Hd.	4
33	WL-003-38	Lockwasher 1/4 Medium	4
34	SC-097-20	Cap Screw 1/4-20 x 1 1/8 Soc. Hd.	4
35	WL-003-38	Lockwasher 1/4 Medium	4
36	00-331596	Bar – Gripper Support.....	1
37	SC-047-82	Set Screw 10-32 x 3/16 Hdls., Cup Pt.	1
38	00-331580	Lever – Gripper Roll	1
39	NS-013-08	Mach. Nut 1/4-28 (LH Thread)	1
40	NS-013-07	Mach. Nut 1/4-28 (RH Thread)	1
41	00-330069	Chain Take Up Assy. (Incls. Items 39 & 40)	2
42	00-331434	Cam Follower	1
43	00-047807	Chain – Film Retainer (29 1/2 Lg.)	2
44	00-334854	Ground Strap	1
45	00-044784	Link – Connecting	8
46	00-331571	Bearing & Oilite Assy. – Gripper (RH)	1
47	00-044785	Offset Link.....	2
48	00-047806	Chain – Film Retainer 31 1/2 Lg.	2
49	SC-047-11	Set Screw 1/4-20 x 3/8 Soc. Hdls., Cup Pt.	1
50	00-331577	Pin – Gripper Shaft Lock	1
51	00-331574	Gripper Shaft Assy.	1
52	RP-003-42	Roll Pin 3/32 x 3/16	1
53	00-331841	Spring – Gripper	1
54	SC-047-11	Set Screw 1/4-20 x 3/8 Soc. Hdls., Cup Pt.	1
55	00-331579	Arm – Gripper Closing.....	1
56	00-331577	Pin – Gripper Shaft Lock	1
57	00-332988	Pivot – Lower Gripper Plate	2
58	00-331610	Bracket & Bushing Assy.	2
59	SC-118-09	Cap Screw 3/8-16 x 1 1/4 Hex Hd.	1
60	WL-004-06	Lockwasher 3/8 Medium	1
61	00-331572	Gripper Adjusting Link Assy. (Incls. Items 62 thru 66)	1
62	00-331573	Link – Gripper Drive	1
63	NS-013-27	Mach. Nut 3/8-24 Hex (RH Thread)	1
64	NS-013-28	Mach. Nut 3/8-24 Hex (LH Thread)	1
65	00-334055	Rod End Bearing (RH)	1
66	00-334056	Rod End Bearing (LH)	1
67	00-330147	Shaft	1
68	00-330605	Sprocket	2
69	SC-110-12	Cap Screw 1/4-20 x 5/8 Hex Hd.	4
70	00-086773	Collar Bearing	2
71	00-086774	Stamping	4
72	WL-003-38	Lockwasher 1/4 Medium	4
73	NS-013-02	Mach. Nut 1/4-20 Hex	4



FILM GUIDE

FILM GUIDE

ILLUS. PL-56576	PART NO.	NAME OF PART	AMT.
1	SC-068-33	Mach. Screw 10-32 x 1/2 Hex Hd.	4
2	WL-004-40	Lockwasher #10 Medium	4
3	WS-019-02	Washer	4
4	00-334884	Arm – Upper Roller	1
5	NS-031-49	Stop Nut 10-32 Elastic	2
6	SC-123-78	Set Screw 1/4-20 x 5/16 Soc. Hdls., Cone Pt.	1
7	00-332374	Block – Film Mounting Guide	1
8	SC-089-01	Cap Screw 1/4-20 x 1/2 Hex Soc. Hd.	2
9	WL-008-17	Lockwasher 1/4 Internal Shakeproof	2
10	00-332421	Plate Assy. (LH)	1
11	NS-009-30	Mach. Nut 10-32 Hex	2
12	WL-004-40	Lockwasher #10 Medium	2
13	SC-068-33	Mach. Screw 10-32 x 1/2 Hex Hd.	2
14	WL-004-40	Lockwasher #10 Medium	2
15	00-175627	Stud – Bearing (Used To Mount Item 16)	4
16	00-047286	Shaft Assy. – Film Selector	2
17	00-331473	Spacer – Film Arm	2
18	00-334883	Arm – Lower Roller	1
19	WS-019-02	Washer	2
20	00-332382	Spacer – Rest Arm	2
21	SC-081-44	Mach. Screw 10-32 x 1 1/2 Slotted Rd. Hd.	2
22	00-334885	Guide – Film Change	2
23	00-334867	Roller Assy. – Tapered	2
24	NS-009-30	Mach. Nut 10-32 Hex	2
25	WL-004-40	Lockwasher #10 Medium	2
26	00-334883	Arm – Lower Roller	1
27	00-332372	Handle Assy. – Spring	2
28	00-333619	Washer (Bellville)	4
29	WS-019-02	Washer	2
30	SC-081-18	Mach. Screw 10-32 x 1 1/8 Slotted Rd. Hd.	1
31	00-334250	Shaft – Film Roller	1
32	SC-068-33	Mach. Screw 10-32 x 1/2 Hex Hd.	2
33	WL-004-40	Lockwasher #10 Medium	2
34	00-332373	Block – Spring Locking Handle	2
35	SC-068-33	Mach. Screw 10-32 x 1/2 Hex Hd.	4
36	WL-004-40	Lockwasher #10 Medium	4
37	00-332422	Plate Assy. (RH)	1
38	NS-009-30	Mach. Nut 10-32 Hex	2
39	WL-004-40	Lockwasher #10 Medium	2
40	SC-068-33	Mach. Screw 10-32 x 1/2 Hex Hd.	4
41	WL-004-40	Lockwasher #10 Medium	4
42	00-331518	Guide – Top Film	2
43	WS-019-02	Washer	4
44	SC-081-18	Mach. Screw 10-32 x 1 1/8 Slotted Rd. Hd.	1
45	00-332372	Handle Assy. – Spring	2
46	00-331473	Spacer – Film Arm	2
47	00-334250	Shaft – Film Roller	1
48	NS-009-30	Mach. Nut 10-32 Hex	2
49	WL-004-40	Lockwasher #10 Medium	2
50	00-334884	Arm – Upper Roller	1
51	NS-009-30	Mach. Nut 10-32 Hex	2
52	WL-004-40	Lockwasher #10 Medium	2
53	SC-081-19	Mach. Screw 10-32 x 1 1/4 Slotted Rd. Hd.	2

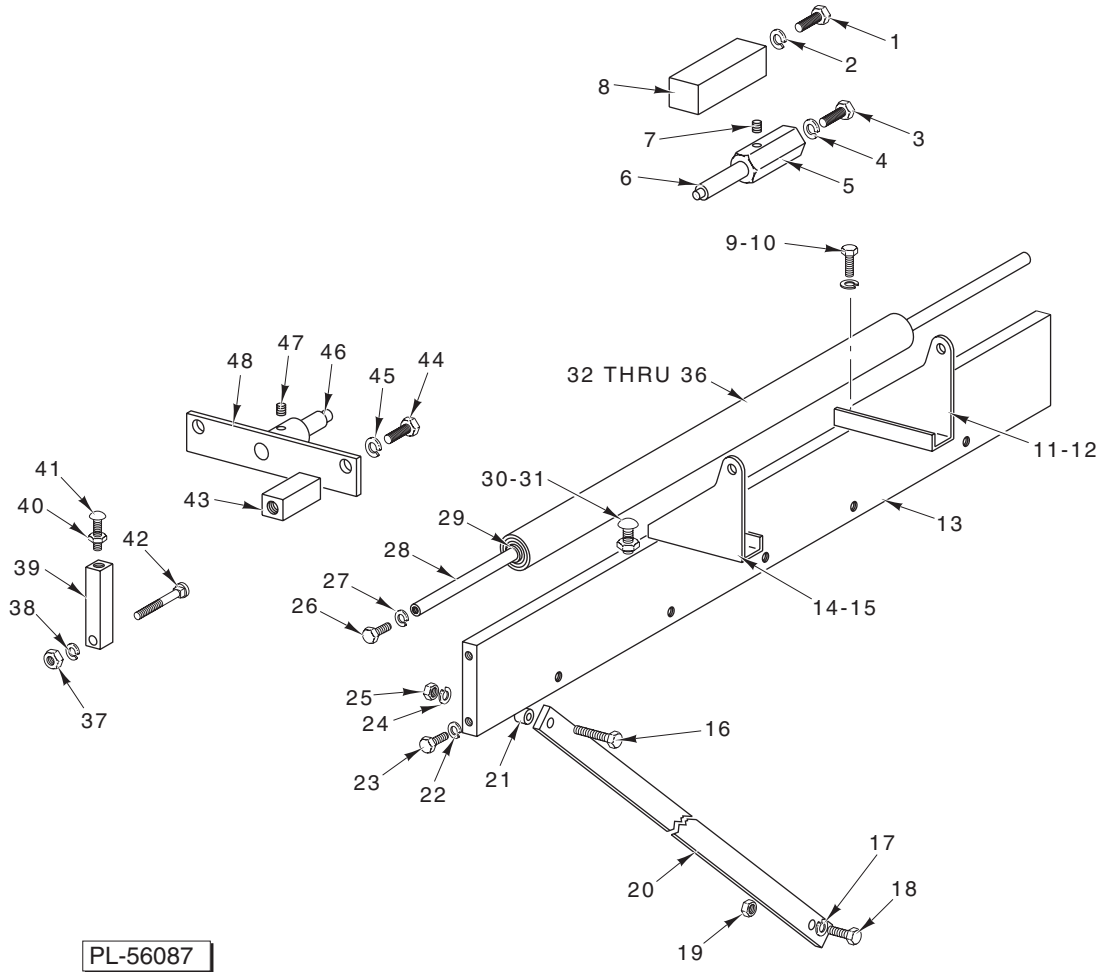


FILM ADJUSTMENT

ILLUS.	PART NO.	NAME OF PART	AMT.
PL-56091			
1	00-331847	Bracket – Transducer	2
2	WL-003-09	Lockwasher #6 Medium	4
3	SC-018-28	Mach. Screw 6-32 x 1/4 Phil. Pan Hd. (ML-26369)	4
4	00-331342	Plate – Adjusting Mech.	1
5	RP-002-13	Roll Pin 1/8 x 3/4 Lg.	6
6	SC-117-99	Cap Screw 5/16-18 x 5/8 Hex Hd.	2
7	WL-003-47	Lockwasher 5/16 Medium	2
8	00-331328	Spacer – Film Adjustment Assy.	1
9	00-043858	Linear Transducer (Film Adjust Pot.)	1
10	00-331776-00001	Harness – Film Adjustment Pot./Film Supply Switches	1
11	00-334942	Washer	1
12	00-031355	Tie – Cable	1
13	00-331310	Switch	1
14	FE-016-31	Snap Bushing	2
15	WS-017-25	Washer	2
16	WL-003-38	Lockwasher 1/4 Medium	2
17	SC-118-20	Cap Screw 1/4-20 x 1/2 Hex Hd.	2
18	00-331322	Plate – Switch	1
19	00-331321	Plate & Switches Assy. (Incls. Items 13, 14, 18, & 20 thru 23)	1
20	WL-003-09	Lockwasher #6 Medium	4
21	NS-011-07	Mach. Nut 6-32 Hex	4

FILM ADJUSTMENT (Cont.)

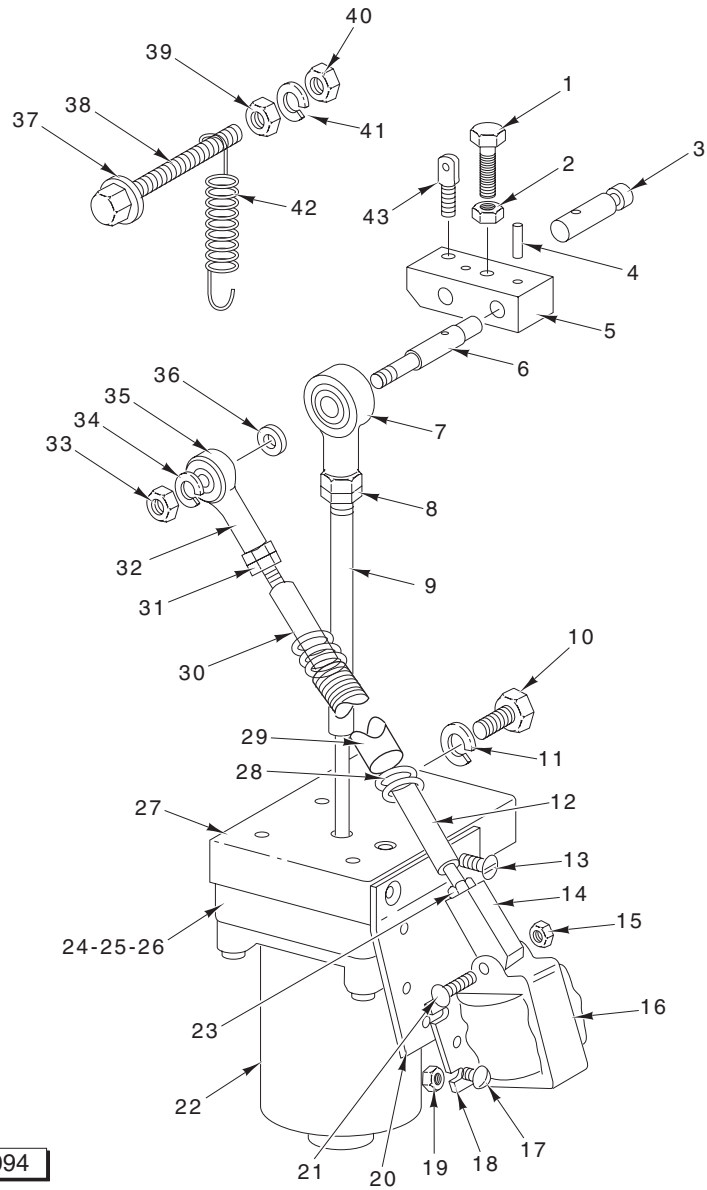
ILLUS.	PART NO.	NAME OF PART	AMT.
	PL-56091		
22	00-331310	Switch	1
23	SC-009-97	Mach. Screw 6-32 x 3/4 Rd. Hd.	4
24	00-334721	Pin – Pot. Actuator (5/16 In. Dia.) (Use With Item 9)	1
25	00-331311	Pin – Pot. Actuator (1/4 In. Dia.)	1
26	SC-117-99	Cap Screw 5/16-18 x 5/8 Hex Hd.	2
27	WL-003-47	Lockwasher 5/16 Medium	2
28	00-084740	Rod End (ML-26369 & ML-44025)	1
29	00-331312	Guide Pin	1
30	00-043683	Plate & Bushing Assy.	1
31	00-043671	Jam Nut	1
32	WL-006-23	Lockwasher 5/16 Medium	2
33	SC-037-85	Cap Screw 5/16-18 x 1 Hex Hd.	2
34	00-043896	Washer	1
35	00-331372	Spacer – Outer Plate	1
36	WS-005-51	Washer (Use With Non-Adjustable End Plate)	2
37	SC-047-75	Set Screw 1/4-20 x 1/4 Soc. Hdls., Cup Pt.	1
38	00-331362	Link Assy. (Incls. Items 37 & 48)	1
39	WL-003-47	Lockwasher 5/16 Medium	1
40	SC-110-21	Cap Screw 5/16-18 x 2 Hex Hd.	1
41	SC-036-71	Cap Screw 3/8-16 x 1 1/4 Hex Hd.	1
42	WL-004-06	Lockwasher 3/8 Medium	1
43	00-127559	Bearing	1
44	SC-037-75	Cap Screw 5/16-18 x 3/4 Hex Hd.	2
45	WL-003-47	Lockwasher 5/16 Medium	2
46	00-331379	Plate – Outer Support	1
47	00-331349	Spacer – Film Adjustment Link	1
48	00-129944	Bearing Link	1
49	00-331349	Spacer – Film Adjustment Link	1
50	SC-047-08	Cap Screw 1/4-20 x 1/4 Soc. Hd.	1
51	00-331318	Adjusting Block Assy.	1
52	00-334941	Ball Nut & Screw Assy.	1
53	00-043896	Washer	1
54	00-043854	Center Plate & Bearing Assy.	1
55	WL-006-23	Lockwasher 5/16 Medium	1
56	SC-037-85	Cap Screw 5/16-18 x 1 Hex Hd.	1
57	00-332001	Field – Film Adjusting Brake	1
58	SC-047-73	Set Screw 8-32 x 3/16 Soc. Hdls., Cup Pt.	2
59	00-331309	Brake – Zero Backlash (1.5) (Incls. Items 57, 58, & 61)	1
60	WL-003-09	Lockwasher #6 Medium	2
61	00-332000	Armature & Hub Assy.	1
62	SC-092-36	Cap Screw 6-32 x 1/2 Soc. Hd.	2
63	00-331308	Coupling	1
64	SC-040-56	Cap Screw 8-32 x 1/2 Soc. Hd.	4
65	SC-089-77	Cap Screw 8-32 x 3/4 Soc. Hd.	4
66	WL-003-12	Lockwasher #8 Medium	4
67	00-334477	Plate – Motor Mounting	1
68	00-331335	Motor (Incls. Items 69 & 70)	1
69	00-334469	Armature Brush Assy.	2
70	00-334468	Cap – Brush Holder	2
71	SC-037-85	Cap Screw 5/16-18 x 1 Hex Hd.	2
72	WL-006-23	Lockwasher 5/16 Medium	2
73	00-043760	Sleeve – Adjusting	1



FILM GUIDE PIVOT

FILM GUIDE PIVOT

ILLUS. PL-56087	PART NO.	NAME OF PART	AMT.
1	SC-118-12	Cap Screw 3/8-16 x 3/4 Hex Hd.	1
2	WL-004-06	Lockwasher 3/8 Medium	1
3	SC-118-12	Cap Screw 3/8-16 x 3/4 Hex Hd.	1
4	WL-004-06	Lockwasher 3/8 Medium	1
5	00-331617	Stud – Film Guide Mounting	1
6	00-331619	Pivot – Film Guide	1
7	SC-047-75	Set Screw 1/4-20 x 1/4 Soc. Hdls., Cup Pt.	1
8	00-331623	Stop – Film Guide	1
9	SC-110-12	Cap Screw 1/4-20 x 5/8 Hex Hd.	2
10	WL-003-38	Lockwasher 1/4 Medium	2
11	00-333937	Conveyor Mount (LH) (ML-44025 & ML-44089)	1
12	00-331417	Conveyor Mount (LH) (ML-26369)	1
13	00-331448	Spacer – Rear Wall	1
14	00-333936	Conveyor Mount (RH) (ML-44025 & ML-44089)	1
15	00-331418	Conveyor Mount (RH) (ML-26369)	1
16	SC-118-17	Cap Screw 1/4-20 x 1 1/4 Hex Hd.	2
17	WL-003-38	Lockwasher 1/4 Medium	2
18	SC-118-17	Cap Screw 1/4-20 x 1 1/4 Hex Hd.	2
19	NS-013-03	Mach. Nut 1/4-20 Hex	2
20	00-330790	Cross Brace – Rear	2
21	00-331638	Spacer – Mounting Strip	2
22	WL-003-38	Lockwasher 1/4 Medium	4
23	SC-118-19	Cap Screw 1/4-20 x 3/4 Hex Hd.	4
24	WL-003-38	Lockwasher 1/4 Medium	4
25	NS-013-02	Mach. Nut 1/4-20 Hex	2
26	SC-110-12	Cap Screw 1/4-20 x 5/8 Hex Hd.	2
27	WL-003-38	Lockwasher 1/4 Medium	2
28	00-330213	Shaft – Film Roller	2
29	RR-006-21	Retaining Ring	4
30	SC-054-18	Carriage Bolt 1/4-20 x 1 1/4	2
31	NS-013-02	Mach. Nut 1/4-20 Hex	2
32	00-331863	Film Roller Assy. (Incls. Items 33, 34, 35, & 36)	2
33	00-330195	Roller – Film	2
34	00-331861	Roller Clutch	2
35	00-331862	Spacer – Film Roller Bearing	2
36	00-330214	Bearing – Film Roller	2
37	NS-013-02	Mach. Nut 1/4-20 Hex	2
38	WL-003-38	Lockwasher 1/4 Medium	2
39	00-334063	Stop – Film Guide (Lower)	2
40	NS-013-02	Mach. Nut 1/4-20 Hex	2
41	SC-118-17	Cap Screw 1/4-20 x 1 1/4 Hex Hd.	2
42	SC-122-18	Carriage Bolt 1/4-20 x 1 1/2 Rd. Hd.	2
43	00-331621	Spacer – Film Guide Mounting	2
44	SC-118-12	Cap Screw 3/8-16 x 3/4 Hex Hd.	4
45	WL-004-06	Lockwasher 3/8 Medium	4
46	00-331618	Pivot – Film Guide	1
47	SC-047-75	Set Screw 1/4-20 x 1/4 Soc. Hdls., Cup Pt.	1
48	00-334475	Plate – Film Guide	1
	00-334074	Film Guide Stop Kit (Incls. Items 37 thru 42)	AR
	00-330640	Shaft & Roller Assy. (Incls. Items 28, 29, & 32 thru 36)	AR

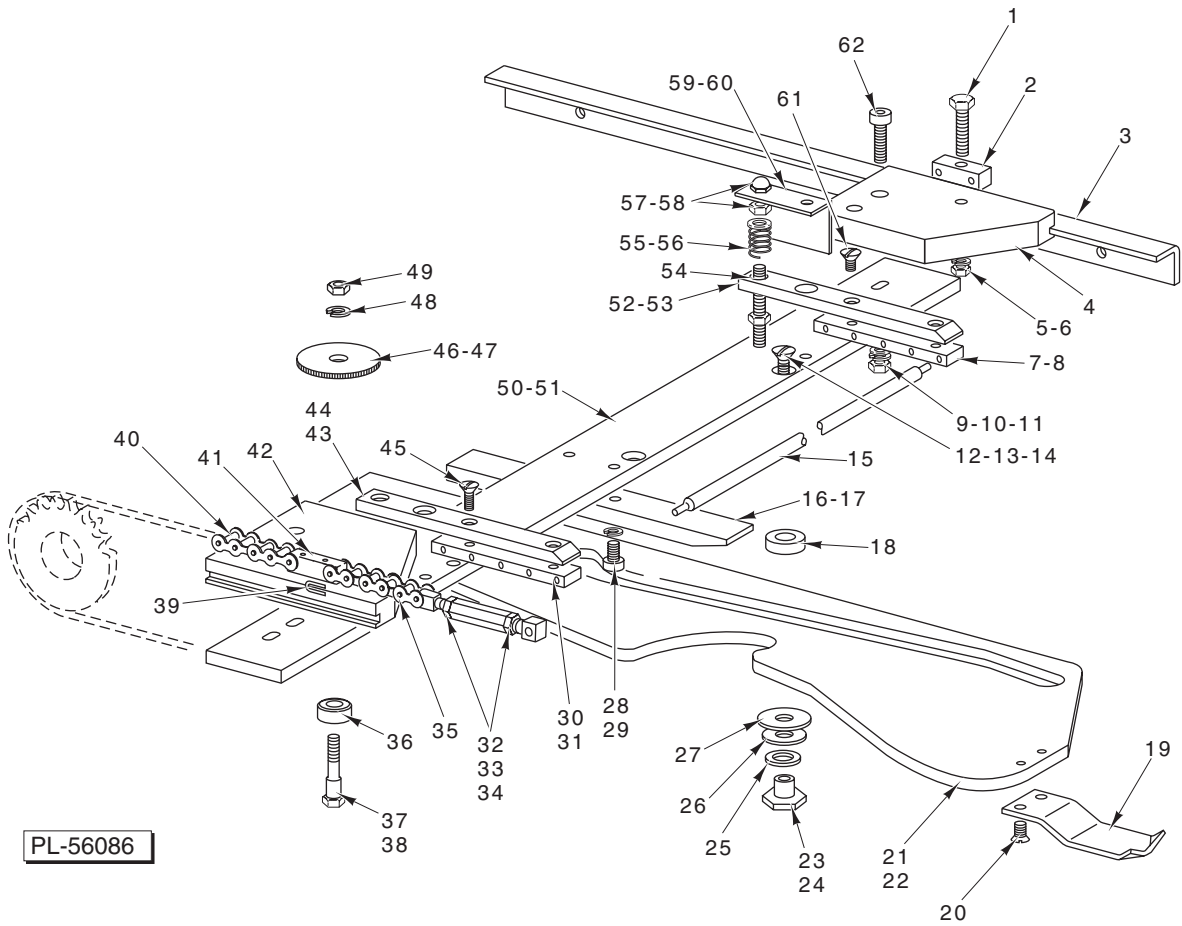


PL-56094

FILM GUIDE SOLENOID

FILM GUIDE SOLENOID

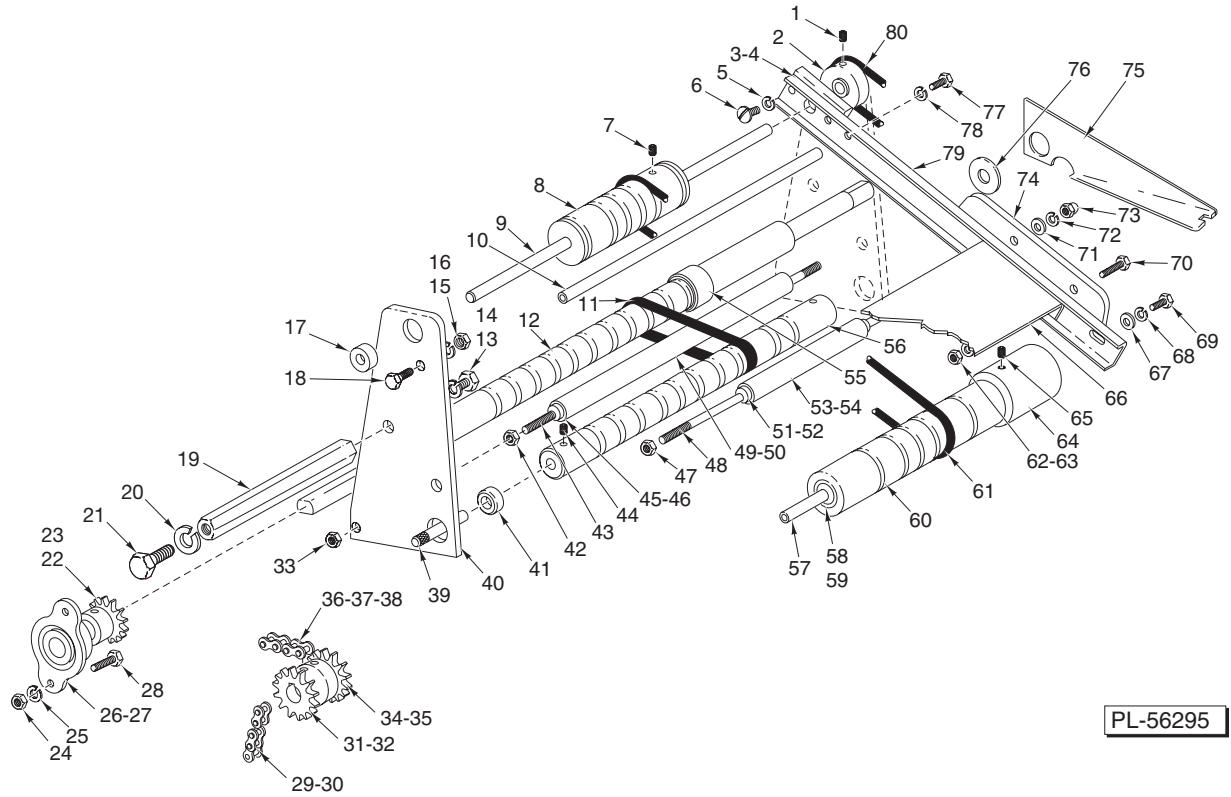
ILLUS. PL-56094	PART NO.	NAME OF PART	AMT.
1	SC-117-91	Cap Screw 1/4-20 x 1 Hex Hd.	1
2	NS-013-02	Mach. Nut 1/4-20 Hex	1
3	00-331802	Pin – Solenoid Connecting Block	1
4	RP-002-35	Roll Pin 3/16 x 5/8 Lg.	2
5	00-331804	Block – Solenoid Connecting	1
6	00-331803	Pin – Solenoid Connecting Block	1
7	00-086800	Rod – End Bearing	1
8	NS-013-27	Mach. Nut 3/8-24 Hex	1
9	00-330262	Stud – Solenoid	1
10	SC-118-12	Cap Screw 3/8-16 x 3/4 Hex Hd.	2
11	WL-004-06	Lockwasher 3/8 Medium	2
12	00-331874	Solenoid Rod Assy.	1
13	SC-014-61	Mach. Screw 1/4-20 x 1/2 Flat Hd.	2
14	00-332026	Link – Solenoid	1
15	NS-031-07	Stop Nut 8-32 Elastic	1
16	00-332027	Solenoid – Horizontal Mount	1
17	SC-008-17	Mach. Screw 10-32 x 3/8 Rd. Hd.	4
18	WL-004-40	Lockwasher #10 Medium	4
19	NS-009-30	Mach. Nut 10-32 Hex	4
20	00-332003	Bracket – Solenoid	1
21	SC-116-18	Cap Screw 8-32 x 1 Soc. Hd.	1
22	00-048353	Solenoid – Oil Immersed	1
23	NS-017-60	Mach. Nut 1/4-28 Hex	1
24	00-334805	Plate – Adapter	1
25	SC-089-70	Cap Screw 10-32 x 5/8 Soc. Hd.	4
26	WL-004-40	Lockwasher #10 Medium	4
27	00-330447	Plate – Solenoid Mounting	1
28	RP-005-03	Roll Pin 1/8 x 5/8 Lg.	1
29	00-331872	Spring – Solenoid Rod	1
30	00-331873	Solenoid Rod Assy. (Incls. Item 28)	1
31	NS-013-08	Mach. Nut 1/4-28 Hex	1
32	00-084741	Rod End – Female	1
33	NS-013-02	Mach. Nut 1/4-20	1
34	WL-003-38	Lockwasher 1/4 Medium	1
35	00-330719	Film Rod Assy. (Incls. Items 12, 14, 23, & 29 thru 32)	1
36	WS-022-10	Washer	1
37	WS-022-19	Washer	1
38	SC-118-14	Cap Screw 1/4-20 x 3/4 Hex Hd.	1
39	NS-013-02	Mach. Nut 1/4-20 Hex	1
40	NS-013-02	Mach. Nut 1/4-20 Hex	1
41	WL-003-38	Lockwasher 1/4 Medium	1
42	00-084627	Spring	1
43	00-084584	Stud – Spring	1



REAR UNDERFOLD

REAR UNDERFOLD

ILLUS.	PART NO.	NAME OF PART	AMT.
	PL-56086		
1	SC-118-17	Cap Screw 1/4-20 x 1 1/4 Hex Hd. (ML-44025)	2
2	00-330098	Block – Underfolder	1
3	00-330099	Slide Support	2
4	00-330092	Slide (LH)	1
5	NS-013-02	Mach. Nut 1/4-20 Hex	2
6	WL-003-38	Lockwasher 1/4 Medium	2
7	00-333210	Slide – Roller Support (ML-44025 & ML-44089)	1
8	00-331408	Slide – Roller Support (ML-26369)	1
9	NS-013-02	Mach. Nut 1/4-20 Hex	4
10	WL-003-38	Lockwasher 1/4 Medium	4
11	WS-017-25	Washer	4
12	SC-118-13	Cap Screw 1/4-28 x 3/4 Flat Hd. (ML-44025 & ML-44089)	2
13	WL-003-47	Lockwasher 5/16 Medium (ML-26369)	2
14	NS-024-01	Acorn Nut 5/16-18 (ML-26369)	2
15	00-330094	Roller – Rear Fold	5
16	00-333258	Plate – Pusher Pivot (ML-44025 & ML-44089)	1
17	00-330124	Plate – Pusher Pivot (ML-26369)	1
18	00-127559	Bearing – Fafnir S3-KDD	2
19	00-330472	Folder – Extension	2
20	SC-013-61	Mach. Screw 10-32 x 5/8 Flat Hd.	4
21	00-333192	Underfolder (ML-44025 & ML-44089)	2
22	00-333173	Underfolder (ML-26369)	2
23	00-333207	Stud – Underfolder (ML-44025 & ML-44089)	2
24	00-330153	Stud – Underfolder (ML-26369)	2
25	WS-018-34	Washer (ML-44025 & ML-44089)	2
26	00-333208	Washer (ML-44025 & ML-44089)	2
27	00-330154	Washer – Slide	2
28	SC-059-28	Cap Screw 1/4-20 x 1 3/8 Soc. Hd.	2
29	WL-006-17	Lockwasher 1/4 Medium	2
30	00-333210	Slide – Roller Support (ML-44025 & ML-44089)	1
31	00-331408	Slide – Roller Support (ML-26369)	1
32	00-330069	Take-Up Chain Assy. (Incls. Items 33 & 34)	2
33	NS-013-08	Mach. Screw 1/4-28 Hex (LH)	4
34	NS-013-07	Mach. Nut 1/4-28 Hex (RH)	4
35	00-047809	#40 Chain – Underfolder (75 Pitch)	2
36	00-086789	Bearing	2
37	00-333490	Stud (ML-44025)	2
38	00-330089	Stud (ML-26369)	2
39	00-044784	Link (ML-44025 & ML-44089)	4
40	00-047790	#40 Chain – Underfolder (43 Pitch)	2
41	00-330098	Block – Underfolder	1
42	00-330091	Slide (RH)	1
43	00-333211	Plate – Roller Support (LH) (ML-44025 & ML-44089)	1
44	00-332410	Plate – Roller Support (RH) (ML-26369)	1
45	SC-014-92	Mach. Screw 10-32 x 1/2 Flat Hd.	2
46	00-333362	Spacer – Underfolder (ML-44025 & ML-44089)	2
47	00-330321	Spacer – Underfolder (ML-26369)	2
48	WL-003-38	Lockwasher 1/4 Medium	2
49	NS-013-02	Mach. Nut 1/4-20 Hex	2
50	00-333209	Bar – Rear (ML-44025 & ML-44089)	1
51	00-330093	Bar – Rear (ML-26369)	1
52	00-333211	Plate – Roller Support (ML-44025 & ML-44089)	1
53	00-332409	Plate – Roller Support (LH) (ML-26369)	1
54	00-332501	Stud Assy.	4
55	00-332402	Spring – Underfolder	4
56	00-332396	Retainer – Spring	4
57	NS-024-19	Acorn Nut 1/4-20	4
58	NS-013-02	Acorn Nut 1/4-20 Hex	4
59	00-333227	Limitter (ML-44025 & ML-44089)	2
60	00-332920	Limitter (ML-26369)	2
61	SC-014-92	Mach. Screw 10-32 x 1/2 Flat Hd.	2
62	SC-089-04	Cap Screw 1/4-20 x 1 Soc. Hd.	4

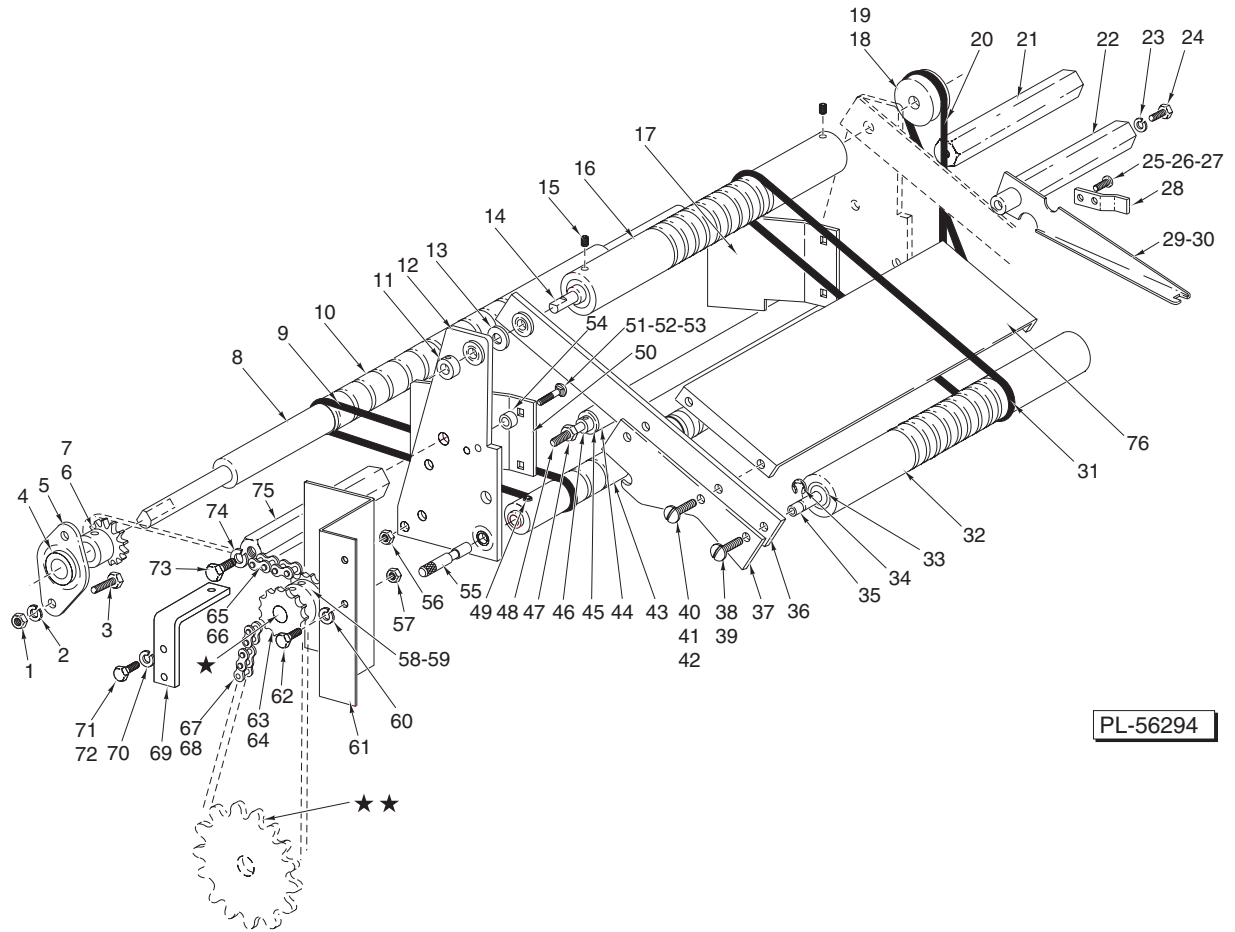


DISCHARGE SHAFT AND HOLD DOWN (ML-26369)

ILLUS.	PART NO.	NAME OF PART	AMT.
PL-56295			
1	SC-075-42	Set Screw 10-32 x 1/4 Soc. Hdls., Cup Pt.	1
2	00-330444	Pulley – Drive	1
3	00-330478	Block – Bearing	2
4	00-086789	Bearing	2
5	WL-003-38	Lockwasher 1/4 Medium	4
6	SC-008-81	Mach. Screw 1/4-20 x 1/4 Rd. Hd.	4
7	SC-075-42	Set Screw 10-32 x 1/4 Soc. Hdls., Cup Pt.	2
8	00-330442	Pulley – Drive	2
9	00-331420	Shaft – Drive Pulley	1
10	00-330477	Spacer	1
11	00-334808	Drive Belt – Discharge Upper	11
12	00-331446	Shaft – Discharge	1
13	SC-090-12	Cap Screw 3/8-16 x 7/8 Hex Hd.	4
14	WL-004-06	Lockwasher 3/8 Medium	4
15	NS-013-02	Mach. Nut 1/4-20 Hex	1
16	WL-003-38	Lockwasher 1/4 Medium	1
17	00-086710	Collar	1
18	SC-110-12	Cap Screw 1/4-20 x 5/8 Hex Hd.	1
19	00-331419	Spacer – Hold Down Support	4
20	WL-004-06	Lockwasher 3/8 Medium	4

DISCHARGE SHAFT AND HOLD DOWN (ML-26369) (Cont.)

ILLUS.	PART NO.	NAME OF PART	AMT.
21	SC-090-12	Cap Screw $\frac{3}{8}$ -16 x $\frac{7}{8}$ Hex Hd.	4
22	00-331436	Sprocket – Discharge	1
23	00-087789	Key	1
24	NS-013-02	Mach. Nut $\frac{1}{4}$ -20 Hex	4
25	WL-003-38	Lockwasher $\frac{1}{4}$ Medium	4
26	00-086773	Bearing	2
27	00-086774	Stamping	4
28	SC-110-12	Cap Screw $\frac{1}{4}$ -20 x $\frac{5}{8}$ Hex Hd.	4
29	00-044784	Link – Connecting	2
30	00-047805	Chain Discharge	1
31	00-331600	Sprocket – Seal Drive	1
32	00-087789	Key	1
33	NS-013-02	Mach. Nut $\frac{1}{4}$ -20 Hex	2
34	00-331437	Sprocket – Discharge Driven	1
35	00-087789	Key	1
36	00-087165	Link – Connecting Chain #35	1
37	00-330026	Chain Assy. #35	1
38	00-127570	Link – Offset	1
39	00-331402	Shaft – Discharge Roll	2
40	00-331449	Support – Hold Down	2
41	00-086789	Bearing	2
42	NS-013-02	Mach. Nut $\frac{1}{4}$ -20 Hex	2
43	00-331429	Shaft – Roller	1
44	SC-047-75	Set Screw $\frac{1}{4}$ -20 x $\frac{1}{4}$ Soc. Hdls., Cup Pt.	2
45	00-086708	Collar	2
46	00-086768	Bearing	2
47	NS-013-02	Mach. Nut $\frac{1}{4}$ -20 Hex	2
48	00-330789	Shaft – Roller	1
49	00-331428	Tube – Roller	1
50	00-331430	Shaft & Roller Assy. (Incls. Items 42, 43, 45, 46, & 49)	1
51	00-086708	Collar	2
52	00-086768	Bearing	2
53	00-330787	Roller Assy. (Incls. Items 47, 48, 51, 52, & 54)	1
54	00-330788	Tube – Roller	1
55	00-330261	Roller – Discharge	10
56	00-331455	Shaft – Discharge	1
57	00-330443	Shaft	1
58	00-086789	Bearing	2
59	RR-007-19	Retaining Ring	2
60	00-330441	Pulley	1
61	00-331926	Belt – Label Drive	6
62	NS-013-02	Mach. Nut $\frac{1}{4}$ -20 Hex	2
63	WL-003-38	Lockwasher $\frac{1}{4}$ Medium	2
64	00-331415	Pulley – Roller	2
65	SC-047-08	Set Screw $\frac{1}{4}$ -20 x $\frac{1}{4}$ Soc. Hdls., Cup Pt.	2
66	00-331777	Brace – Hold Down	1
67	WS-022-10	Washer	2
68	WL-003-38	Lockwasher $\frac{1}{4}$ Medium	2
69	SC-036-14	Cap Screw $\frac{1}{4}$ -20 x $\frac{1}{2}$ Hex Hd.	2
70	SC-037-82	Cap Screw $\frac{1}{4}$ -20 x $\frac{7}{8}$ Hex Hd.	2
71	WS-022-10	Washer	2
72	WL-003-38	Lockwasher $\frac{1}{4}$ Medium	2
73	NS-024-19	Acorn Nut $\frac{1}{4}$ -20	2
74	00-331790	Stop – Hold Down	2
75	00-332515	Support	1
76	00-332514	Spacer – Support	2
77	SC-036-14	Cap Screw $\frac{1}{4}$ -20 x $\frac{1}{2}$ Hex Hd.	2
78	WL-003-38	Lockwasher $\frac{1}{4}$ Medium	2
79	00-330475	Frame	2
80	00-330836	Belt – Hold Down Drive	1



**DISCHARGE SHAFT AND HOLD DOWN
(ML-44025 & ML-44089)**

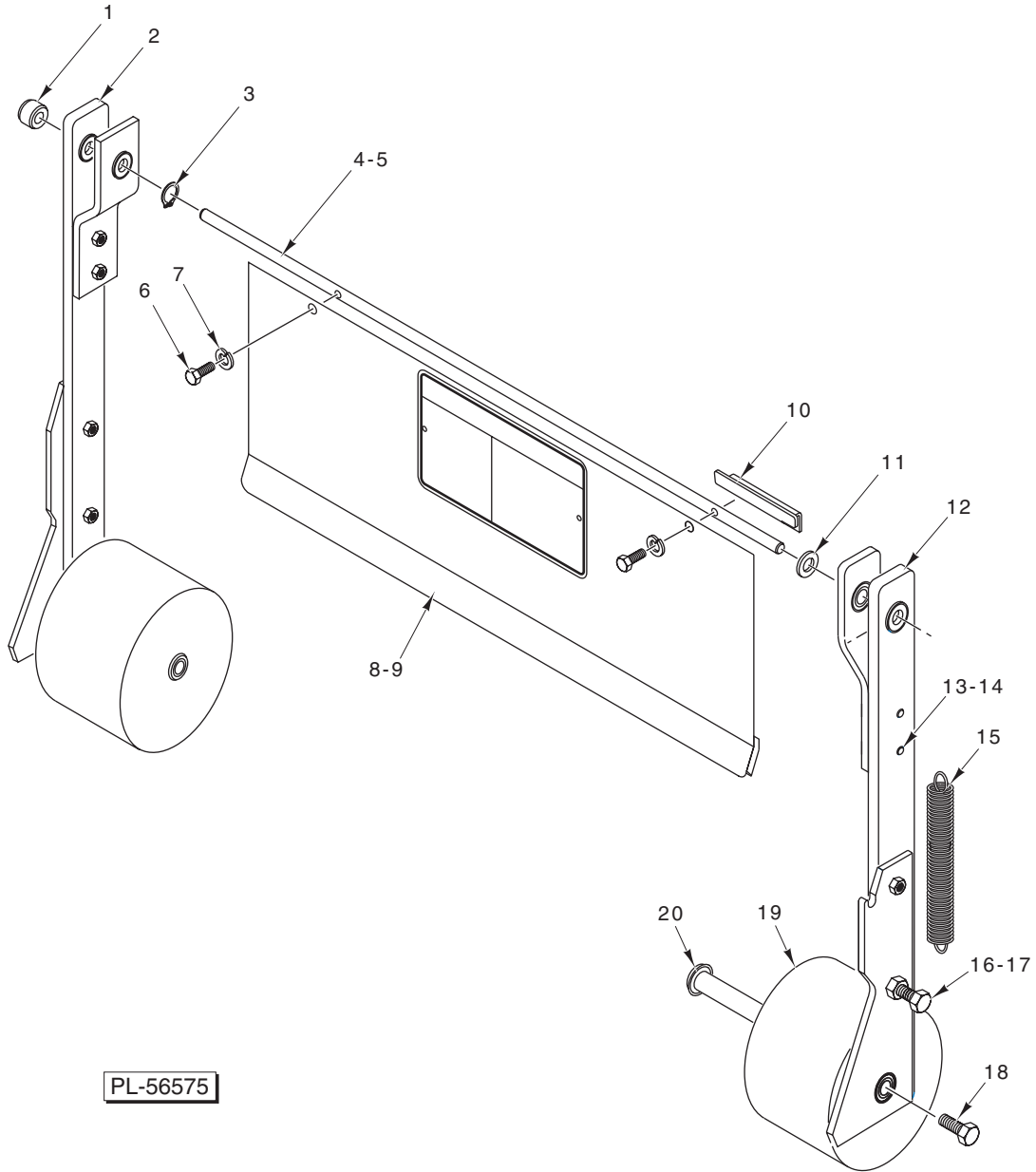
ILLUS.	PART NO.	NAME OF PART	AMT.
PL-56294			
1	NS-013-02	Nut 1/4-20 Hex	4
2	WL-003-38	Lockwasher 1/4 Medium	4
3	SC-110-12	Cap Screw 1/4-20 x 5/8 Hex Hd.	2
4	00-086773	Bearing	4
5	00-086774	Stamping	4
6	00-331436	Sprocket - Discharge	1
7	SC-047-75	Set Screw 1/4-20 x 1/4 Soc. Hdls., Cup Pt.	1
8	00-331466	Shaft - Discharge	1
9	00-334808	Belt - Discharge	11
10	00-330261	Roller - Discharge	10
11	00-086710	Collar & Set Screw Assy.	1
12	00-043963	Support & Bearing Assy.	2
13	WS-006-27	Washer	1
14	00-332991	Shaft - Pulley Drive	1
15	SC-047-72	Set Screw 1/4-20 x 3/8 Soc. Hdls., Cup Pt.	2
16	00-333412	Hold Down Pulley & Bearing Assy.	1
17	00-333017	Guide - Discharge (LH)	1

**DISCHARGE SHAFT AND HOLD DOWN
(ML-44025 & ML-44089) (Cont.)**

ILLUS. PL-56294	PART NO.	NAME OF PART	AMT.
18	00-333096	Pulley – Drive	1
19	SC-075-42	Set Screw 10-32 x 1/4 Soc. Hdls., Cup Pt.	1
20	00-333098	Belt – Drive	1
21	00-332997	Spacer – Hold Down Support	1
22	00-333269	Spacer – Support	1
23	WL-004-06	Lockwasher 3/8 Medium	4
24	SC-118-11	Cap Screw 3/8-16 x 7/8 Hex Hd.	4
25	SC-060-05	Mach. Screw 10-32 x 5/8 Rd. Hd.	2
26	WL-004-40	Lockwasher #10 Medium	2
27	NS-009-30	Mach. Nut 10-32 Hex	2
28	00-333476	Guide – Belt	1
29	00-333390	Support	1
30	00-334958	Support – Sealer (With No Hold Down)	1
31	00-331926	Belt – Drive	10
32	00-333416	Hold Down & Bearing Assy. (Incls. Item 33)	1
33	00-127559	Bearing	2
34	RR-004-03	Retaining Ring	2
35	00-332992	Shaft – Pulley	1
36	00-334993	Frame & Bearing Assy.	2
37	00-334996	Stop – Hold Down	2
38	SC-060-05	Mach. Screw 10-32 x 5/8 Rd. Hd.	2
39	WL-004-40	Lockwasher #10 Medium	2
40	SC-060-87	Mach. Screw 10-32 x 3/4 Rd. Hd.	4
41	WL-004-40	Lockwasher #10 Medium	4
42	NS-009-30	Mach. Nut 10-32 Hex	4
43	00-333259	Shaft – Discharge	1
44	00-333346	Shaft & Roller Assy. (Incls. Items 45, 46, 47, & 48)	1
45	00-086768	Bearing – Shaft	2
46	00-086708	Collar & Set Screw Assy.	2
47	NS-013-02	Nut 1/4-20 Hex	2
48	00-333257	Shaft – Roller	1
49	SC-047-75	Set Screw 1/4-20 x 1/4 Soc. Hdls., Cup Pt.	2
50	00-333015	Guide – Discharge (RH)	1
51	SC-117-87	Carriage Bolt 1/4-20 x 1 Sq. Neck	4
52	WL-003-38	Lockwasher 1/4 Medium	4
53	NS-013-02	Nut 1/4-20 Hex	4
54	00-333374	Spacer – Guide	4
55	00-331402	Shaft – Discharge Roller	2
56	NS-013-02	Nut 1/4-20 Hex	2
57	NS-013-02	Nut 1/4-20 Hex	2
58	00-331437	Sprocket – Discharge Drive	1
59	00-087789	Key	1
60	WL-003-38	Lockwasher 1/4 Medium	2
61	00-331898	Guard – Sealer Drive Sprocket	1
62	SC-118-19	Cap Screw 1/4-20 x 3/4 Hex Hd.	2
63	00-331600	Sprocket – Seal Drive	1
64	00-087789	Key	1
65	00-330026	Chain	1
66	00-127570	Link – Offset	1
67	00-047805	Chain – Discharge	1
68	00-044784	Link – Connecting	1
69	00-330779	Bar – Cover Mounting	4
70	WL-003-38	Lockwasher 1/4 Medium	8
71	SC-118-19	Cap Screw 1/4-20 x 3/4 Hex Hd.	8
72	NS-013-02	Nut 1/4-20 Hex Fin.	8
73	SC-118-11	Cap Screw 3/8-16 x 7/8 Hex Hd.	4
74	WL-004-06	Lockwasher 3/8 Medium	4
75	00-332997	Spacer – Hold Down Support	2
76	00-334994	Brace – Hold Down	1

*Shaft – Reference (Belt Sealer)

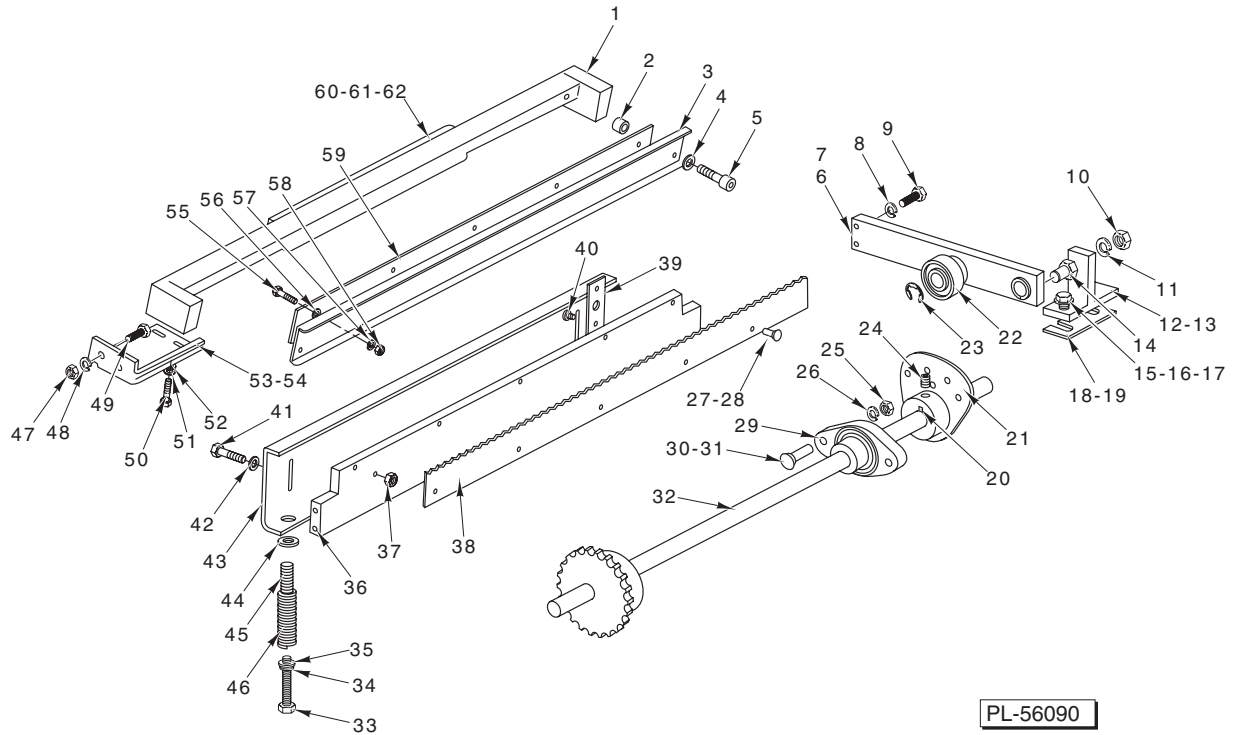
**Gear – Reference (Gripper Adjustment & Discharge Drive)



**HOLD DOWN AND DISCHARGE DOOR
(ML-44025 & ML-44089)**

**HOLD DOWN AND DISCHARGE DOOR
(ML-44025 & ML-44089)**

ILLUS. PL-56575	PART NO.	NAME OF PART	AMT.
1	00-086710	Collar Assy.	2
2	00-043958	Hold Down Assy. (LH)	1
3	RR-009-10	Retaining Ring	2
4	00-332991	Shaft – Pulley Drive (Use With Item 8)	1
5	00-043988	Shaft – Hold Down (Use With Item 9)	1
6	WL-004-40	Lockwasher #10 Helical	2
7	SC-093-21	Mach. Screw 10-32 x 3/8 Slotted Pan Hd. (SST)	2
8	00-184694-00001	Door – Discharge (For Use With No Hold Down)	1
9	00-044000-00001	Door – Discharge (For Use With Hold Down Shown)	1
10	00-184610	Stop	1
11	WS-018-60	Washer	2
12	00-043959	Hold Down Assy. (RH)	1
13	SC-068-33	Mach. Screw 10-32 x 1/2 Hex Hd.	6
14	WL-006-07	Lockwasher #10 Helical	8
15	00-175834	Spring	2
16	SC-068-31	Mach. Screw 10-32 x 3/4 Hex Hd.	4
17	NS-009-30	Nut 10-32 Hex	4
18	SC-068-31	Mach. Screw 10-32 x 3/4 Hex Hd.	2
19	00-043964	Roller – Pressure	2
20	00-043953	Support – Roller	2

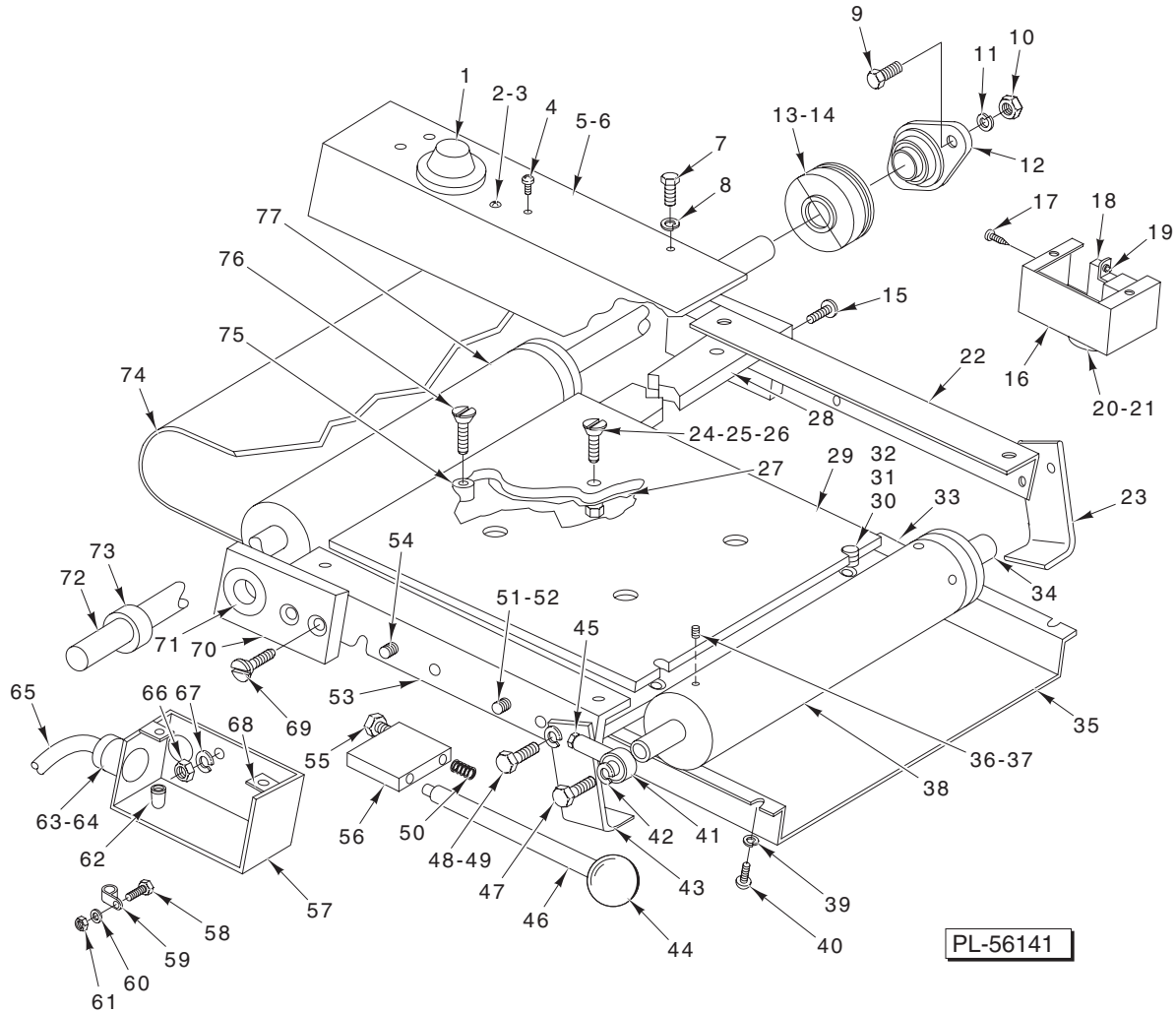


KNIFE

ILLUS.	PART NO.	NAME OF PART	AMT.
PL-56090			
1	00-331458	Clamp	1
2	00-330222	Spacer – Clamp	2
3	00-333028	Bracket – Upper Knife	1
4	WL-004-40	Lockwasher #10 Medium	2
5	SC-089-78	Cap Screw 10-32 x 3/4 Soc. Hd.	2
6	00-331606	Lever & Stud Assy. (RH) (Incls. Items 22 & 23)	1
7	00-331607	Lever & Stud Assy. (LH) (Incls. Items 22 & 23)	1
8	WL-003-38	Lockwasher 1/4 Medium	4
9	SC-118-19	Cap Screw 1/4-20 x 3/4 Hex Hd.	4
10	NS-009-43	Mach. Nut 3/8-16 Hex	2
11	WL-004-06	Lockwasher 3/8 Medium	2

KNIFE (Cont.)

ILLUS.	PART NO.	NAME OF PART	AMT.
PL-56090			
12	00-334224	Knife Pivot Assy. (ML-44025 & ML-44089)	2
13	00-333025	Knife Pivot Assy. (ML-26369)	2
14	00-333024	Stud – Knife Pivot	2
15	SC-117-92	Cap Screw $\frac{5}{16}$ -18 x $\frac{3}{4}$ Hex Hd.	4
16	WL-003-47	Lockwasher $\frac{5}{16}$ Medium	4
17	WS-005-42	Washer	4
18	00-333720	Shim – Knife Mount (0.010 In. Thk.) (Brown)	AR
19	00-044226	Shim – Knife Mount (0.060 In. Thk.)	AR
20	00-087789	Key – Motor	2
21	00-334852	Cam – Knife	2
22	BB-020-18	Bearing	2
23	RR-004-12	Retaining Ring	2
24	SC-047-11	Set Screw $\frac{1}{4}$ -20 x $\frac{3}{8}$ Soc. Hdls., Cup Pt.	4
25	NS-013-02	Nut $\frac{1}{4}$ -20 Hex	4
26	WL-003-38	Lockwasher $\frac{1}{4}$ Medium	4
27	SC-093-03	Mach. Screw 8-32 x $\frac{3}{8}$ Slotted Pan Hd.	5
28	WL-006-02	Lockwasher #8 Medium	5
29	00-128930	Bearing	2
30	SC-117-87	Carriage Bolt $\frac{1}{4}$ -20 x 1 Rd. Hd., Sq. Neck (ML-44025 & ML-44089)	2
31	SC-122-18	Carriage Bolt $\frac{1}{4}$ -20 x $1\frac{1}{2}$ Rd. Hd., Sq. Neck (ML-26369)	2
32	00-330132	Shaft – Knife Cam	1
33	SC-112-88	Cap Screw $\frac{1}{4}$ -20 x $2\frac{1}{4}$ Hex Hd.	2
34	WL-003-38	Lockwasher $\frac{1}{4}$ Medium	2
35	WS-017-25	Washer	2
36	00-330551	Bar – Knife	1
37	NS-037-10	Lock Nut $\frac{1}{4}$ -20 Hex	2
38	00-175863	Knife Blade	1
39	00-331608	Spacer – Knife Gripper	2
40	SC-014-45	Mach. Screw 8-32 x $\frac{3}{4}$ Slotted Flat Hd.	4
41	00-331625	Stud – Knife Assy.	2
42	00-331601	Thrust Bearing	2
43	00-330553	Gripper – Knife Front	1
44	00-331601	Thrust Bearing	2
45	00-330554	Spacer – Spring	2
46	00-332149	Spring – Knife Clamp	2
47	NS-013-02	Mach. Nut $\frac{1}{4}$ -20 Hex	4
48	WL-003-38	Lockwasher $\frac{1}{4}$ Medium	4
49	SC-118-19	Cap Screw $\frac{1}{4}$ -20 x $\frac{3}{4}$ Hex Hd.	4
50	SC-110-12	Cap Screw $\frac{1}{4}$ -20 x $\frac{5}{8}$ Hex Hd.	4
51	WL-003-38	Lockwasher $\frac{1}{4}$ Medium	4
52	WS-003-49	Washer	4
53	00-331844	Bracket – Clamp Assy. (RH)	1
54	00-331845	Bracket – Clamp Assy. (LH)	1
55	SC-018-32	Mach. Screw 8-32 x $\frac{3}{8}$ Slotted Pan Hd.	5
56	WS-023-22	Washer	5
57	WL-006-02	Lockwasher #8 Medium	5
58	NS-011-12	Mach. Nut 8-32 Hex	5
59	00-175863	Knife Blade	1
60	00-332160	Angle & Pad Assy.	1
61	WL-004-40	Lockwasher #10 Medium	2
62	SC-093-21	Mach. Screw 10-32 x $\frac{3}{8}$ Slotted Pan Hd.	2
	00-333030	Clamp Bar & Knife Assy. (Incls. Items 1 thru 5 & 55 thru 62)	1
	00-330597	Knife & Clamp Assy. (Incls. Items 27, 28, & 33 thru 46)	1
	00-333027	Knife Pivot Assy. (Incls. Items 10, 11, 13, & 14) (ML-26369)	2



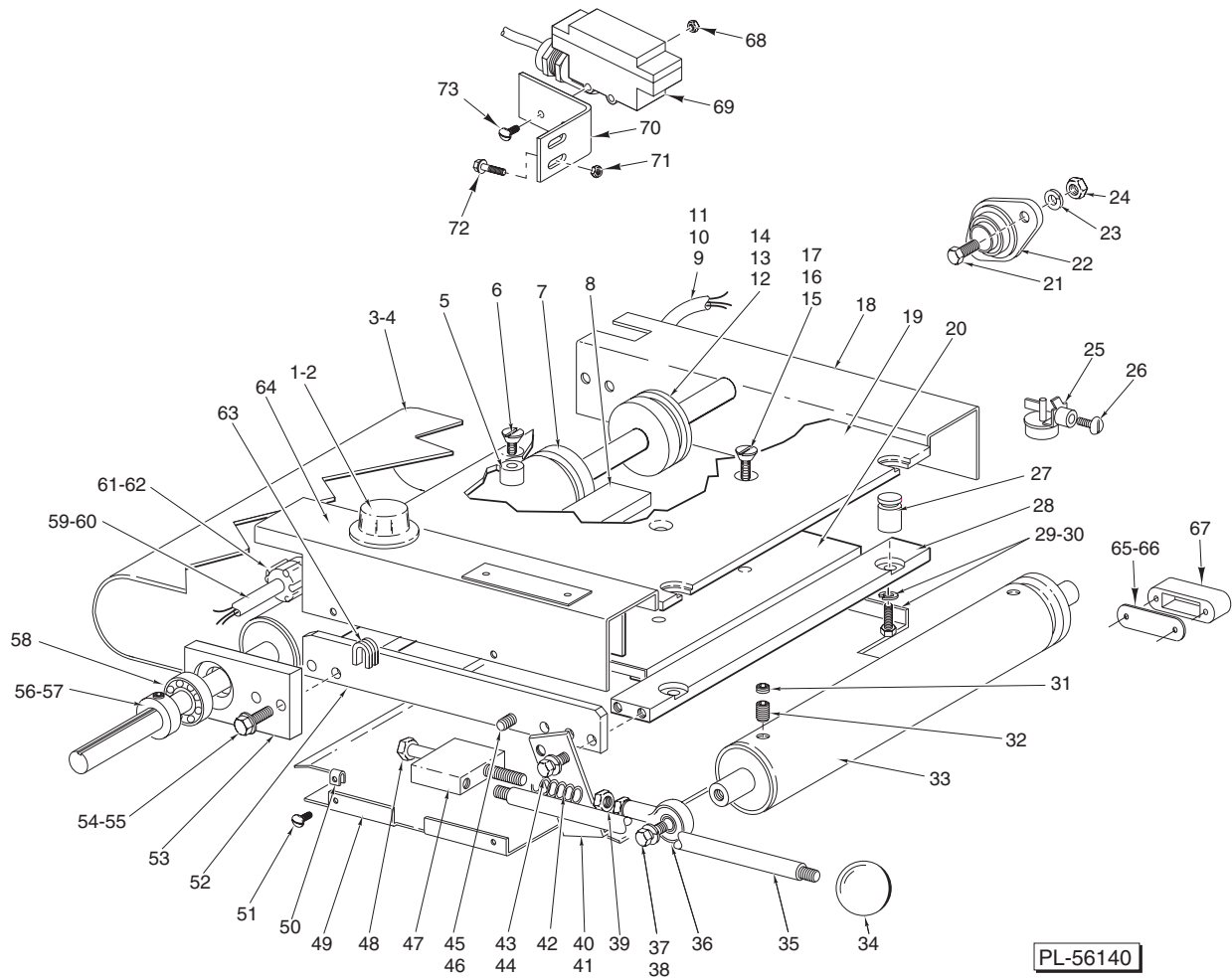
BELT SEALER (ML-26369)

ILLUS.	PART NO.	NAME OF PART	AMT.
	PL-56141		
1	00-044352	Thermostat	1
2	SC-009-70	Mach. Screw 6-32 x 1/4 Rd. Hd.	2
3	RS-027-05	Rivet 3/32 x 5/32 (ML-26369)	4
4	SC-093-03	Mach. Screw 8-32 x 3/8 Pan Hd.	4
5	00-331997	Cover & Warning Plate Assy.	1
6	00-331452	Cover - Thermostat Box	1
7	SC-041-86	Cap Screw 1/4-20 x 3/8 Hex Hd.	4
8	WL-003-38	Lockwasher 1/4 Medium	4
9	SC-037-87	Cap Screw 1/4-20 x 1 Hex Hd.	4
10	NS-013-02	Nut 1/4-20 Hex	4
11	WL-003-38	Lockwasher 1/4 Medium	4
12	00-128930	Bearing	2
13	00-330445	Pulley - Drive	1
14	SC-075-42	Set Screw 10-32 x 1/4 Soc. Hdls., Cup Pt.	1
15	SC-020-28	Mach. Screw 1/4-20 x 1 Phil. Flat Hd.	2
16	00-332012	Cover Assy.	1
17	SD-009-40	Self-Tapping Screw 6-32 x 3/4 Phil. Pan Hd.	1

BELT SEALER (ML-26369) (Cont.)

ILLUS. PL-56141	PART NO.	NAME OF PART	AMT.
18	00-331727	Cord Assy. (20 In.)	1
19	00-332009	Tip Switch	1
20	FE-006-31	Connector – Strain Relief	1
21	FE-006-07	Lock Nut 1/2	1
22	00-331424	Angle – Hot Plate (LH)	1
23	00-331763	Support – Belt Sealer (LH)	1
24	SC-029-47	Mach. Screw 5/16-18 x 1 Slotted Flat Hd.	4
25	WL-003-47	Lockwasher 5/16 Medium	4
26	NS-014-11	Mach. Nut 5/16-18 Hex	4
27	00-087017	Element – Bottom Plate	2
28	00-330205	Bar – Hot Plate Support	1
29	00-331465	Hot Plate	1
30	00-184570	Stud – Hot Plate	2
31	WL-003-38	Lockwasher 1/4 Medium	2
32	SC-036-14	Cap Screw 1/4-20 x 1/2 Hex Hd.	2
33	00-330204	Bar – Hot Plate Support	1
34	00-330207	Shaft – Roller	1
35	00-332063	Heater Cover Assy.	1
36	00-332206-00009	Set Screw 1/4-20 Special	2
37	SC-047-14	Set Screw 1/4-20 x 1/2 Soc. Hdls., Cup Pt.	2
38	00-330078	Roller Assy. – Sealer	1
39	WL-003-38	Lockwasher 1/4 Medium	4
40	SC-008-81	Mach. Screw 1/4-20 x 1/2 Slotted Rd. Hd.	4
41	00-334055	Rod – End Female	2
42	WL-004-06	Lockwasher 3/8 Medium	2
43	00-331764	Support – Belt Sealer (RH)	1
44	00-060468	Knob	1
45	NS-013-27	Mach. Nut 3/8-24 Hex	2
46	00-331744	Arm – Belt Sealer Knob	1
47	SC-090-37	Cap Screw 3/8-24 x 1 Hex Hd.	1
48	WL-003-38	Lockwasher 1/4 Medium	4
49	SC-037-82	Cap Screw 1/4-20 x 7/8 Hex Hd.	4
50	00-333492	Spring	2
51	WL-003-38	Lockwasher 1/4 Medium	4
52	SC-037-82	Cap Screw 1/4-20 x 7/8 Hex Hd.	4
53	00-331425	Angle – Hot Plate (RH)	1
54	SC-110-12	Cap Screw 1/4-20 x 5/8 Hex Hd.	2
55	SC-090-72	Cap Screw 3/8-24 x 3 1/2 Hex Hd.	2
56	00-330200	Block – Spring Guide	2
57	00-331426	Thermostat Box	1
58	SC-060-05	Mach. Screw 10-32 x 5/8 Rd. Hd.	2
59	00-086967	Clamp	2
60	WL-004-40	Lockwasher #10 Medium	2
61	NS-009-30	Mach. Nut 10-32 Hex	2
62	FE-006-29	Wire Nut	1
63	FE-006-07	Lock Nut 1/2	1
64	FE-006-31	Connector – Strain Relief	1
65	00-330491	Heater Cord Assy.	1
66	NS-013-02	Nut 1/4-20 Hex	2
67	WL-003-38	Lockwasher 1/4 Medium	2
68	00-086878	Speed Nut 8-32	4
69	SC-020-28	Mach. Screw 1/4-20 x 1 Phil. Flat Hd.	2
70	00-330201	Bearing Mount – Hot Plate	2
71	BB-021-16	Bearing – Fafnir S7KDD	2
72	00-086713	Steel Collar (Incls. Item 73)	1
73	SC-047-95	Set Screw 5/16-18 x 1/4 Hex Hdls., Cup Pt.	1
74	00-334625	Belt – Hot Plate	1
75	00-184571	Spacer – Hot Plate	1
76	SC-029-39	Mach. Screw 1/4-20 x 1 1/4 Slotted Flat Hd.	1
77	00-333116	Roller & Shaft Assy.	1

ELECTRONIC STRETCH WRAPPER REPLACEMENT PARTS

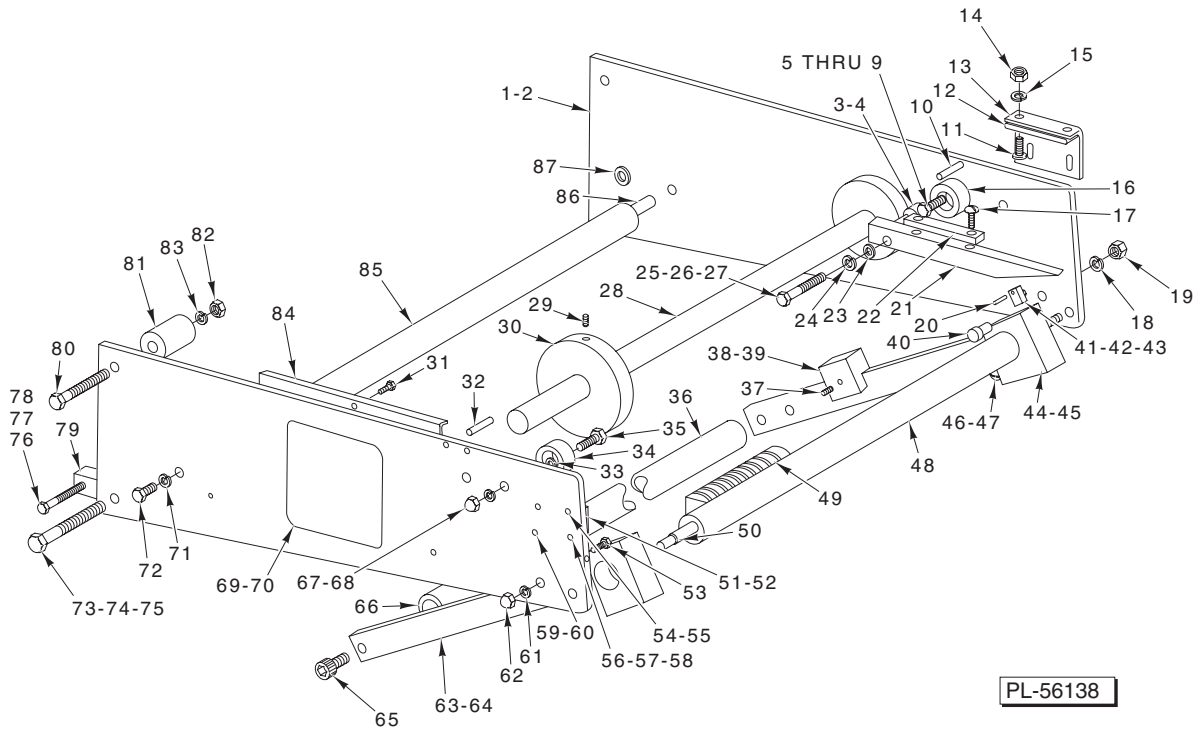


BELT SEALER (ML-44025 & ML-44089)

ILLUS.	PART NO.	NAME OF PART	AMT.
	PL-56140		
1	00-044352	Thermostat	1
2	SC-009-70	Mach. Screw 6-32 x 1/4 Rd. Hd.	2
3	00-440758	Belt – Sealer	1
4	00-048674	Pin – Corrugated	1
5	00-184571	Spacer – Hotplate	1
6	SC-027-39	Mach. Screw 1/4-20 x 1/4 Flat Hd.	1
7	00-334759	Roller & Shaft Assy.	1
8	00-333365	Bar – Hotplate Support	1
9	00-331727	Cord – Trip Switch	1
10	FE-015-10	Strain Relief – 90 Deg.	1
11	FE-006-07	Lock Nut 1/2	1
12	00-333097	Pulley – Drive	1
13	SC-047-11	Set Screw 1/4-20 x 3/8 Soc. Hdls., Cup Pt.	1
14	00-086713	Collar	1
15	SC-029-47	Mach. Screw 5/16-18 x 1 Flat Hd.	4

BELT SEALER (ML-44025 & ML-44089) (Cont.)

ILLUS. PL-56140	PART NO.	NAME OF PART	AMT.
16	WL-003-47	Lockwasher $\frac{5}{16}$ Medium	4
17	NS-014-11	Mach. Nut $\frac{5}{16}$ -18 Hex	4
18	00-332968	Frame Assy. (LH)	1
19	00-332980	Hotplate	1
20	00-087017	Element – Bottom Plate	2
21	SC-117-91	Cap Screw $\frac{1}{4}$ -20 x 1 Hex Hd.	4
22	00-128930	Bearing	2
23	WL-003-38	Lockwasher $\frac{1}{4}$ Medium	4
24	NS-013-02	Nut $\frac{1}{4}$ -20 Hex	4
25	00-332009	Tip Switch	1
26	SD-009-40	Self-Tapping Screw 6-32 x $\frac{3}{4}$ Pan Hd.	1
27	00-184570	Stud – Hotplate	2
28	00-333364	Bar – Hotplate Support	1
29	SC-110-12	Cap Screw $\frac{1}{4}$ -20 x $\frac{5}{8}$ Hex Hd.	2
30	WL-003-38	Lockwasher $\frac{1}{4}$ Medium	2
31	00-332206-00009	Set Screw – Special	4
32	SC-047-14	Set Screw $\frac{1}{4}$ -20 x $\frac{1}{2}$ Soc. Hdls., Cup Pt.	4
33	00-334757	Roller Assy. Sealer	1
34	00-060468	Knob	1
35	00-333323	Arm – Belt Sealer	1
36	00-334055	Rod – End Female	2
37	SC-090-37	Cap Screw $\frac{3}{8}$ -24 x 1 Hex Hd.	2
38	WL-004-06	Lockwasher $\frac{3}{8}$ Medium	2
39	NS-013-27	Mach. Nut $\frac{3}{8}$ -24 Hex ($\frac{1}{4}$ In. Thk.)	2
40	00-331764	Support – Belt Sealer (RH)	1
41	00-331763	Support – Belt Sealer (LH)	1
42	00-333492	Spring	2
43	SC-117-91	Cap Screw $\frac{1}{4}$ -20 x 1 Hex Hd.	4
44	WL-003-38	Lockwasher $\frac{1}{4}$ Medium	4
45	SC-118-19	Cap Screw $\frac{1}{4}$ -20 x $\frac{3}{4}$ Hex Hd.	4
46	WL-003-38	Lockwasher $\frac{1}{4}$ Medium	4
47	00-334519	Block – Spring Guide	2
48	00-334516	Stud	2
49	00-440598-00001	Cover Assy.	1
50	00-086878	Speed Nut 8-32	4
51	SC-018-32	Mach. Screw 8-32 x $\frac{3}{8}$ Pan Hd.	4
52	00-333366	Bar – Belt Support	2
53	00-333300	Bearing Mount – Hotplate	2
54	WL-003-38	Lockwasher $\frac{1}{4}$ Medium	4
55	SC-118-16	Cap Screw $\frac{1}{4}$ -20 x $1\frac{3}{8}$ Hex Hd.	4
56	00-086713	Collar – Steel (Incls. Item 57)	1
57	SC-047-95	Set Screw $\frac{5}{16}$ -18 x $\frac{1}{4}$ Hex Hdls., Cup Pt.	1
58	BB-021-16	Bearing – Fafnir S7KDD	2
59	00-330491	Heater Cord Assy.	1
60	FE-006-29	Wire Nut (22-12 AWG)	1
61	FE-015-10	Strain Relief – 90 Deg.	1
62	FE-006-07	Lock Nut $\frac{1}{2}$	1
63	00-333405	Damper	1
64	00-333367	Frame & Warming Plate Assy. (RH)	1
65	00-288454-00002	Retainer – Magnet	1
66	00-119300	Gasket – Retainer	1
67	00-119057	Magnet	1
68	NS-009-30	Nut 10-32 Hex	2
69	00-440597	Switch Assy. (Incls. Wiring)	1
70	00-440595	Bracket – Sealer Switch	1
71	NS-038-04	Lock Nut $\frac{1}{4}$ -20 Hex	2
72	SC-123-93	Mach. Screw $\frac{1}{4}$ -20 x 1 Hex Washer Hd.	2
73	SC-009-60	Mach. Screw 10-32 x $1\frac{3}{4}$ Slotted Rd. Hd.	2
	00-440594	Sealer Switch Kit (Incls. Items 49 & 65 thru 73)	1



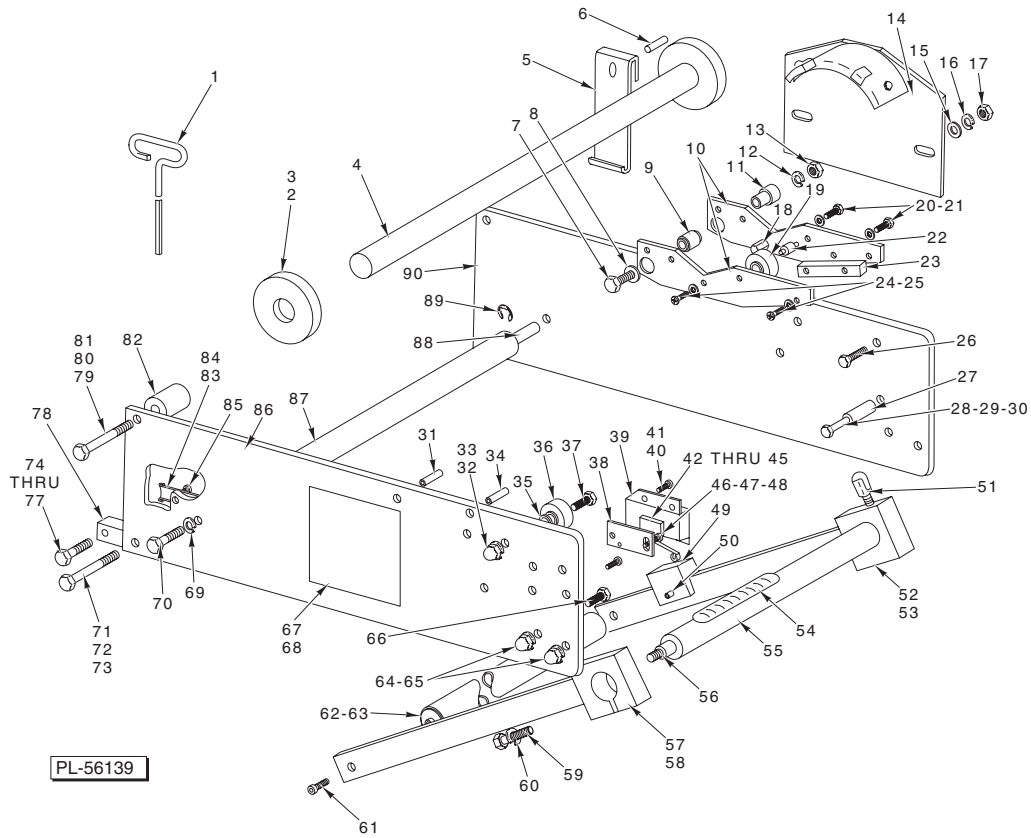
**UNWIND PLATE AND ROLLER
(TWO ASSEMBLIES PER MACHINE) (ML-26369)**

ILLUS.	PART NO.	NAME OF PART	AMT.
PL-56138			
1	00-330825	Label – Film Threading (LH)	1
2	00-331517	Plate – Film Support (LH)	1
3	00-330198	Spacer – Brake	1
4	00-330199	Spacer – Brake	1
5	00-331732	Stud – Roller	2
6	00-330156	Roller – Film Tube Shaft	2
7	WS-017-01	Washer	2
8	WL-003-47	Lockwasher ⁵ / ₁₆ Medium	2
9	NS-025-09	Acorn Nut ⁵ / ₁₆ -18	2
10	RP-006-18	Roll Pin ¹ / ₄ x ³ / ₄ Lg.	2
11	SC-014-64	Mach. Screw ¹ / ₄ -20 x ⁵ / ₈ Flat Hd.	2
12	00-331602	Pad – Brake	1
13	00-331626	Bracket – Brake	1
14	NS-024-19	Acorn Nut ¹ / ₄ -20	2
15	WL-003-38	Lockwasher ¹ / ₄ Medium	2
16	WS-017-16	Washer	2
17	SC-014-92	Mach. Screw 10-32 x ¹ / ₂ Flat Hd.	2
18	WL-004-06	Lockwasher ³ / ₈ Medium	2
19	NS-025-16	Acorn Nut ³ / ₈ -16	2
20	RP-002-35	Roll Pin ³ / ₁₆ x ⁵ / ₈ Lg.	2
21	00-331481	Arm – Brake Pad Assy. (Incls. Items 17 & 22)	1
22	00-330815	Brake Pad	1
23	WS-017-25	Washer	1
24	WL-003-38	Lockwasher ¹ / ₄ Medium	1
25	SC-062-57	Cap Screw ¹ / ₄ -20 x 2 Hex Hd.	1
26	WS-017-25	Washer	2
27	NS-024-19	Acorn Nut ¹ / ₄ -20	2
28	00-330561	Paper Roll Shaft Assy.	2
29	SC-047-32	Set Screw ⁵ / ₁₆ -18 x ⁵ / ₁₆ Soc. Hdls., Cup Pt.	4

**UNWIND PLATE AND ROLLER
(TWO ASSEMBLIES PER MACHINE) (ML-26369) (Cont.)**

ILLUS. PL-56138	PART NO.	NAME OF PART	AMT.
30	00-330558	Plug Assy. Paper Roll (Incls. Item 29)	4
31	SC-018-47	Mach. Screw 10-32 x 3/4 Pan Hd.	4
32	RP-006-18	Roll Pin 1/4 x 3/4 Lg.	1
33	WS-017-16	Washer	2
34	00-330156	Roller – Film Tube Shaft	2
35	00-330157	Stud – Roller	2
36	00-331512	Roller Assy. (Dancing)	2
37	SC-047-75	Set Screw 1/4-20 x 1/4 Soc. Hdls., Cup Pt.	1
38	00-331479	Weight – Dancing Roll	1
39	00-331791	Weight Assy. (Incls. Items 37 & 38)	2
40	00-331480	Brake – Stop	1
41	NS-013-02	Nut 1/4-20 Hex	2
42	00-331930	Mount – Brake Roller	2
43	00-331931	Roller – Brake	2
44	00-331488	Brake Lever – Upper (LH)	1
45	00-331499	Brake Lever – Lower (LH)	1
46	SC-036-71	Cap Screw 3/8-16 x 1 1/4 Hex Hd.	4
47	WL-004-06	Lockwasher 3/8 Medium	4
48	00-331741	Spacer – Pivot Assy.	2
49	00-332032	Plate – Number	2
50	00-330187	Shaft – Brake Lever	2
51	00-331589	Cover – Film Switch	1
52	00-331647	Switch Assy.	1
53	00-331742	Brake Stop (ML-26369)	1
54	SC-008-17	Mach. Screw 10-32 x 3/8 Pan Hd.	2
55	WL-004-40	Lockwasher #10 Medium	2
56	SC-008-41	Mach. Screw 10-32 x 1/2 Rd. Hd.	2
57	WL-004-40	Lockwasher #10 Medium	2
58	WS-023-20	Washer	2
59	WL-004-40	Lockwasher #10 Medium	2
60	SC-008-41	Mach. Screw 10-32 x 1/2 Rd. Hd.	2
61	WL-004-06	Lockwasher 3/8 Medium	2
62	NS-025-16	Acorn Nut 3/8-16	2
63	00-331496	Brake Lever – Lower (RH)	1
64	00-331498	Brake Lever – Upper (RH)	1
65	SC-089-01	Cap Screw 1/4-20 x 1/2 Soc. Hd.	4
66	00-331501	Shaft – Film Roller	2
67	NS-025-09	Acorn Nut 5/16-18	2
68	WL-003-47	Lockwasher 5/16 Medium	4
69	00-331945	Label – Film Threading (RH)	1
70	00-331516	Plate – Film Support (RH)	1
71	WL-003-38	Lockwasher 1/4 Medium	4
72	SC-036-13	Cap Screw 1/4-20 x 3/4 Hex Hd.	4
73	SC-090-64	Cap Screw 3/8-16 x 3 1/2 Hex Hd.	4
74	WL-004-06	Lockwasher 3/8 Medium	4
75	NS-009-43	Mach. Nut 3/8-16 Hex	4
76	SC-090-18	Cap Screw 1/4-20 x 1 3/8 Hex Hd.	4
77	WI-003-38	Lockwasher 1/4 Medium	4
78	NS-013-02	Nut 1/4-20 Hex	4
79	00-330457	Spacer – Rear Cover	4
80	SC-090-13	Cap Screw 3/8-16 x 2 3/4 Hex Hd.	4
81	00-330416	Spacer – Pin	8
82	NS-009-43	Mach. Nut 3/8-16 Hex	8
83	WL-004-06	Lockwasher 3/8 Medium	8
84	00-331599	Wire Channel – Film Switch	2
85	00-330196	Roller Assy. Film	1
86	00-330212	Shaft	1
87	RR-006-21	Retaining Ring	2
	00-518938	T-Handle Wrench	1
	00-330285	Plate & Roller Assy.	2
	00-331603	Brake Bracket Assy. (Incls. Items 11 thru 15)	1

ELECTRONIC STRETCH WRAPPER REPLACEMENT PARTS

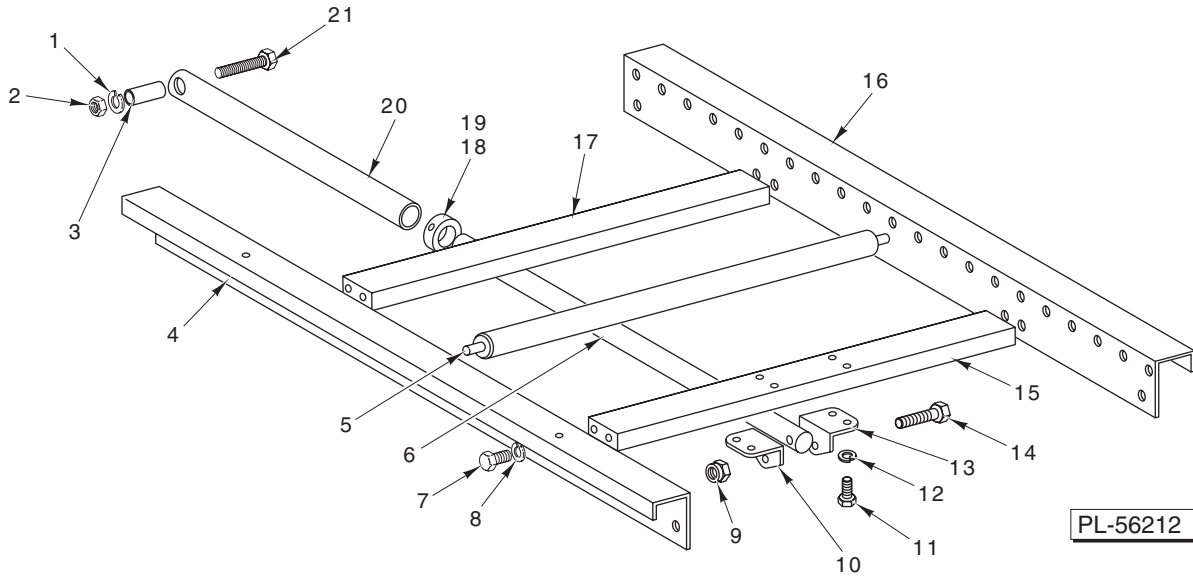


**UNWIND PLATE AND ROLLER
(TWO ASSEMBLIES PER MACHINE) (ML-44025 & ML-44089)**

ILLUS.	PART NO.	NAME OF PART	AMT.
PL-56139			
1	00-518938	Key ⁵ / ₃₂ (T-Handle)	1
2	00-330558	Paper Roll Plug Assy. (Incls. Item 3)	1
3	SC-047-32	Set Screw ⁵ / ₁₆ -18 x ⁵ / ₁₆ Soc. Hdls., Cup Pt.	1
4	00-333256	Paper Roll Shaft Assy.	1
5	00-333860	Support – Dancing Roller	1
6	RP-003-07	Roll Pin ³ / ₁₆ x ³ / ₄	1
7	SC-097-15	Cap Screw ¹ / ₄ -20 x 1 ¹ / ₂ Hex Hd.	1
8	WS-017-75	Washer	1
9	00-333061	Hub Assy.	1
10	00-333060	Plate – Side	2
11	00-333073	Spacer – Brake Arm	1
12	WS-003-38	Lockwasher ¹ / ₄ Medium	1
13	NS-024-19	Acorn Nut ¹ / ₄ -20	1
14	00-334639	Brake Show & Pad Assy.	1
15	WS-017-25	Washer	2
16	WL-003-38	Lockwasher ¹ / ₄ Medium	2
17	NS-024-19	Acorn Nut ¹ / ₄ -20	2
18	00-333067	Spacer	2
19	00-333066	Roller – Film Brake	2
20	00-333596	Limiter – Brake Arm	2
21	WS-008-13	Lockwasher #10 Internal Shakeproof	2
22	00-334829	Shaft – Roller	2
23	00-333065	Block – Ramp	1
24	SC-071-18	Mach. Screw 10-32 x ⁵ / ₁₆ Phil. Truss Hd.	6
25	WL-008-13	Lockwasher #10 Internal Shakeproof	6
26	SC-118-19	Cap Screw ¹ / ₄ -20 x ³ / ₄ Hex Hd.	2
27	00-333264	Spacer	1
28	SC-037-69	Cap Screw ⁵ / ₁₆ -18 x 1 ³ / ₄ Hex Hd.	1
29	WL-003-47	Lockwasher ⁵ / ₁₆ Medium	1
30	NS-025-09	Acorn Nut ⁵ / ₁₆ -18	1
31	RP-003-07	Roll Pin ³ / ₁₆ x ³ / ₄ Lg.	1

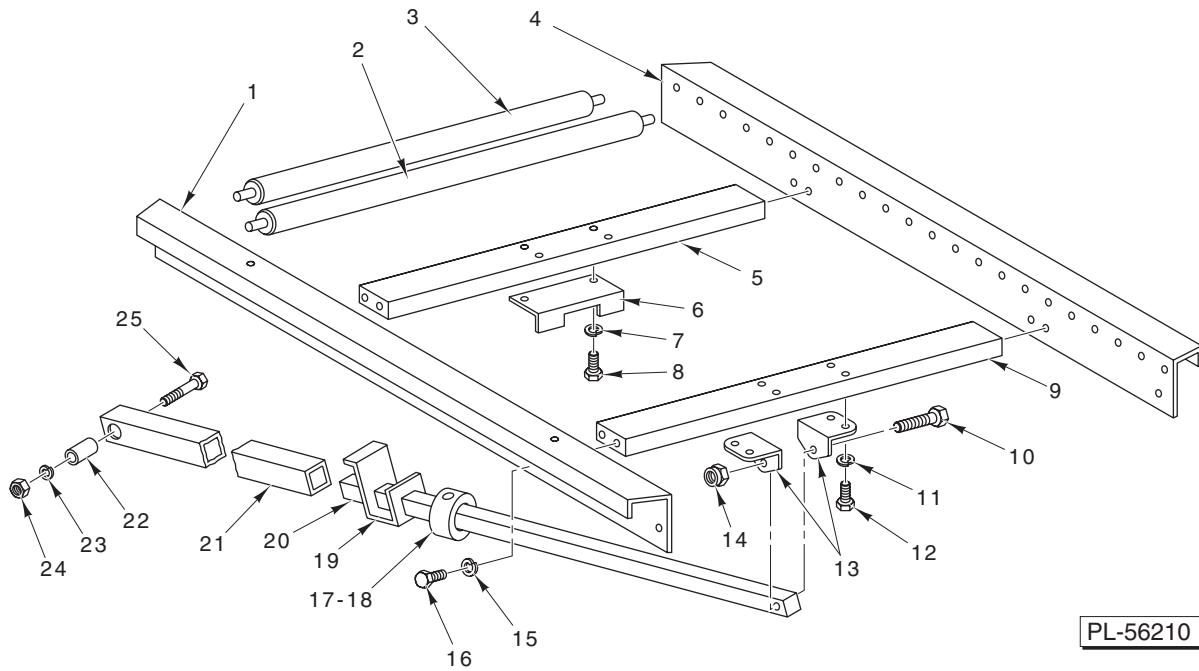
**UNWIND PLATE AND ROLLER
(TWO ASSEMBLIES PER MACHINE) (ML-44025 & ML-44089) (Cont.)**

ILLUS. PL-56139	PART NO.	NAME OF PART	AMT.
32	NS-025-09	Acorn Nut $\frac{5}{16}$ -18	2
33	WL-003-47	Lockwasher $\frac{5}{16}$ Medium	2
34	RP-006-18	Roll Pin $\frac{1}{4}$ x $\frac{3}{4}$ Lg.	1
35	WS-017-16	Washer	2
36	00-330156	Roller – Film Tube Shaft	2
37	00-330157	Stud – Roller	2
38	00-331598	Plate – Switch Mounting	1
39	00-331589	Cover – Film Switch	1
40	SC-008-17	Mach. Screw 10-32 x $\frac{5}{8}$ Rd. Hd.	2
41	WL-004-40	Lockwasher #10 Medium	2
42	00-331597	Switch – Film	1
43	SC-009-67	Mach. Screw 6-32 x $\frac{5}{8}$ Rd. Hd.	2
44	WL-003-09	Lockwasher #6 Medium	2
45	WS-028-01	Washer	2
46	SC-008-41	Mach. Screw 10-32 x $\frac{1}{2}$ Pan Hd.	2
47	WL-004-40	Lockwasher #10 Medium	2
48	WS-023-20	Washer	2
49	00-331791	Weight & Screw Assy. (Incls. Item 50)	1
50	SC-047-75	Set Screw $\frac{1}{4}$ -20 x $\frac{1}{4}$ Soc. Hdls., Cup Pt.	1
51	00-331932	Brake Roller Assy.	1
52	00-331488	Brake Lever Assy. (LH Upper)	1
53	00-331499	Brake Lever Assy. (LH Lower)	1
54	00-332032	Plate – Number	1
55	00-331741	Spacer – Pivot Assy.	1
56	00-330187	Shaft – Brake Lever	1
57	00-331498	Brake Lever Assy. (RH Upper)	1
58	00-331496	Brake Lever Assy. (RH Lower)	1
59	SC-118-09	Cap Screw $\frac{3}{8}$ -16 x $1\frac{1}{4}$ Hex Hd.	2
60	WL-004-06	Lockwasher $\frac{3}{8}$ Medium	2
61	SC-089-01	Cap Screw $\frac{1}{4}$ -20 x $\frac{1}{2}$ Soc. Hd.	2
62	00-333260	Shaft – Film Roller	1
63	00-333262	Roller Assy.	1
64	NS-025-16	Acorn Nut $\frac{3}{8}$ -16	4
65	WL-004-06	Lockwasher $\frac{3}{8}$ Medium	4
66	00-333263	Stop – Brake	2
67	00-331945	Label – Film Threading (RH)	1
68	00-330825	Label – Film Threading (LH)	1
69	WL-003-38	Lockwasher $\frac{1}{4}$ Medium	2
70	SC-118-19	Cap Screw $\frac{1}{4}$ -20 x $\frac{3}{4}$ Hex Hd.	2
71	SC-118-04	Cap Screw $\frac{3}{8}$ -16 x $3\frac{1}{2}$ Hex Hd.	2
72	WL-004-06	Lockwasher $\frac{3}{8}$ Medium	2
73	NS-009-43	Mach. Nut $\frac{3}{8}$ -16 Hex	2
74	SC-118-15	Cap Screw $\frac{1}{4}$ -20 x $1\frac{3}{4}$ Hex Hd. (RH)	1
75	SC-118-16	Cap Screw $\frac{1}{4}$ -20 x $1\frac{3}{8}$ Hex Hd. (LH)	1
76	WL-003-38	Lockwasher $\frac{1}{4}$ Medium	2
77	NS-013-02	Nut $\frac{1}{4}$ -20 Hex	2
78	00-330457	Spacer – Rear Cover	2
79	SC-118-05	Cap Screw $\frac{3}{8}$ -16 x $2\frac{3}{4}$ Hex Hd.	2
80	NS-009-43	Mach. Nut $\frac{3}{8}$ -16 Hex	2
81	WL-004-06	Lockwasher $\frac{3}{8}$ Medium	2
82	00-330416	Spacer – Plate Support	4
83	00-333493	Wire Channel – Film Switch	1
84	FE-006-17	Wire Nut	1
85	SC-018-47	Mach. Screw 10-32 x $\frac{3}{4}$ Pan Hd.	2
86	00-333268	Plate – Support (RH)	1
87	00-330196	Roller Assy.	1
88	00-330212	Shaft – Film Roller	1
89	RR-006-21	Retaining Ring	2
90	00-333115	Plate – Support (LH)	1
	00-330641	Roller Assy. (Incls. Items 87, 88, & 89)	1
	00-333281	Plate & Roller Assy. (RH) (Incls. Items 31 thru 37, 64, 65, 66, & 86)	1
	00-333267	Plate & Roller Assy. (LH) (Incls. Items 5 thru 30, 64, 65, 66, & 90)	1
	00-334830	Brake Arm Assy. (Incls. Items 9, 10, & 18 thru 25)	1
	00-184866	Supply Holder	1



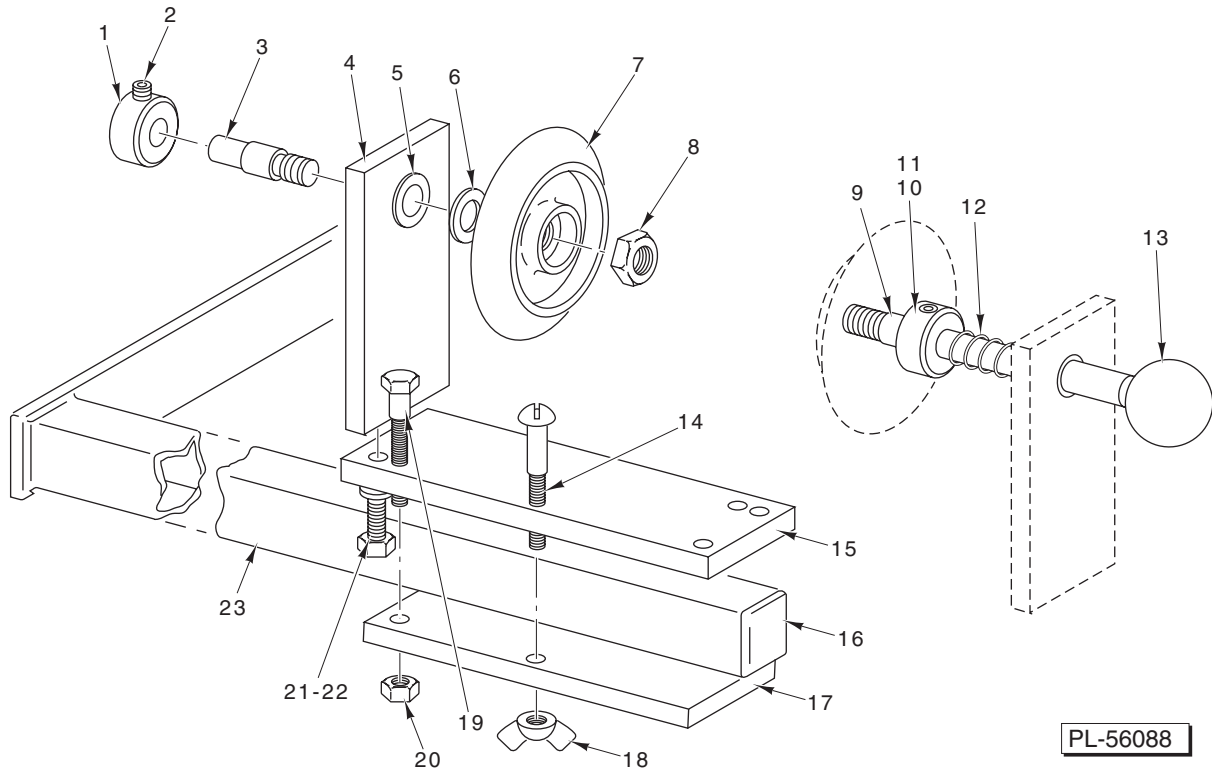
DISCHARGE CONVEYOR (ML-26369)

ILLUS.	PART NO.	NAME OF PART	AMT.
	PL-56212		
1	WL-003-38	Lockwasher 1/4 Medium	1
2	NS-013-02	Nut 1/4-20 Hex	1
3	00-330751	Spacer – Tube	1
4	00-330756	Frame – Conveyor	1
5	00-130439	Roller Assy.	22
6	00-333110	Rod – Support	1
7	SC-036-14	Cap Screw 1/4-20 x 1/2 Hex Hd.	8
8	WL-003-38	Lockwasher 1/4 Medium	8
9	NS-032-07	Stop Nut 1/4-20 Hex	1
10	00-333111	Angle – Support	1
11	SC-036-14	Cap Screw 1/4-20 x 1/2 Hex Hd.	4
12	WL-003-38	Lockwasher 1/4 Medium	4
13	00-333111	Angle – Support	1
14	SC-037-87	Cap Screw 1/4-20 x 1 Hex Hd.	1
15	00-330759	Frame – Support	1
16	00-330756	Frame – Conveyor	2
17	00-330755	Support – Frame	1
18	SC-047-08	Set Screw 1/4-20 x 1/4 Soc. Hdls., Cup Pt.	1
19	00-131842	Steel Collar Assy. (Incls. Item 18)	1
20	00-330752	Support – Tube	1
21	SC-036-09	Cap Screw 1/4-20 x 1 1/4 Hex Hd.	1



DISCHARGE CONVEYOR (ML-44025 & ML-44089)

ILLUS.	PART NO.	NAME OF PART	AMT.
PL-56210			
1	00-042918	Frame – Conveyor	1
2	00-130439	Roller Assy.	21
3	00-333938	Roller Assy.	1
4	00-042918	Frame – Conveyor	1
5	00-330759	Frame – Support	1
6	00-333932	Bracket	1
7	WL-003-38	Lockwasher 1/4 Medium	2
8	SC-036-14	Cap Screw 1/4-20 x 1/2 Hex Hd.	2
9	00-330759	Frame –Support.....	1
10	SC-117-91	Cap Screw 1/4-20 x 1 Hex Hd.	1
11	WL-003-38	Lockwasher 1/4 Medium	4
12	SC-036-14	Cap Screw 1/4-20 x 1/2 Hex Hd.	4
13	00-333111	Angle – Support	2
14	NS-032-07	Stop Nut 1/4-20 Flexloc	1
15	WL-003-38	Lockwasher 1/4 Medium	8
16	SC-036-14	Cap Screw 1/4-20 x 1/2 Hex Hd.	8
17	00-131691	Collar	1
18	SC-055-31	Set Screw 5/16-18 x 3/8 Soc. Hdls., Kn. Cup Pt.	1
19	00-333935	Bracket	1
20	00-333934	Rod	1
21	00-333933	Tube	1
22	00-330751	Spacer – Tube	1
23	WL-003-38	Lockwasher 1/4 Medium	1
24	NS-013-02	Nut 1/4-20 Hex	1
25	SC-118-17	Cap Screw 1/4-20 x 1 1/4 Hex Hd.	1
	00-334017	Conveyor Assy. (Incls. Items 1 thru 18 & 20)	1
	00-134712	Conveyor Service Kit (Incls. Items 1 thru 21 and “Conveyor Mounts” from FILM GUIDE PIVOT)	1



OVERLAY DISPENSER

ILLUS. PL-56088	PART NO.	NAME OF PART	AMT.
1	00-086710	Collar Assy. (Incls. Item 2)	1
2	SC-075-10	Set Screw 1/4-20 x 3/8 Soc. Hdls., Cup Pt.	1
3	00-333079	Shaft	1
4	00-333081	Bearing Assy. (Incls. Item 5)	2
5	00-333053	Bearing	2
6	WS-018-30	Washer	2
7	00-333082	Spool	2
8	NS-017-08	Jam Nut 5/16-18 Hex Fin	2
9	00-333080	Shaft	1
10	00-086710	Collar Assy. (Incls. Item 11)	1
11	SC-075-10	Set Screw 1/4-20 x 3/16 Soc. Hdls., Cup Pt.	1
12	00-333083	Spring	1
13	00-060468	Knob	1
14	SC-081-68	Mach. Screw 1/4-20 x 2 Rd. Hd.	1
15	00-333085	Plate - Clamp	1
16	00-253503	Cap - Plug	1
17	00-333088	Plate - Clamp	1
18	NS-028-11	Wing Nut 1/4-20	1
19	SC-124-56	Cap Screw 1/4-20 x 2 Hex Hd.	2
20	NS-037-10	Lock Nut 1/4-20 Special	2
21	SC-118-19	Cap Screw 1/4-20 x 3/4 Hex Hd.	4
22	WL-003-38	Lockwasher 1/4 Medium	4
23	00-333090	Guide Assy. (Incls. Item 16)	1
	00-333103	Film Overlay Assy. (Incls. Items 1 thru 23)	1

RECOMMENDED SPARE PARTS LIST FOR ESW

ILLUS. PL-56597	PART NO.	NAME OF PART	AMT.
1	00-046398	Keyboard and Switch Assy.	1
2	00-333098	Belt – Discharge	1
3	00-440758	Belt – Hot Plate	1
4	00-334209	Clamp	1
5	00-183708	Pad	1
6	00-333274	Pad Assy. – Side Clamp	1
7	00-331782-00003	Control Board Assy.	1
8	00-331970	Relay – Solid State	1
9	00-331961	Relay – Solid State	1
10	00-330945	Module Relay (DC)	1
11	00-330922	Module Relay (AC)	1
12	00-330929	Module Relay (AC)	1
13	00-333617	Transformer	1
14	00-331774	Power Transistor Assy.	1
15	00-331526	Rectifier	1
16	00-331685	Relay (24 V.)	1
17	00-330951	Sensor Assy.	1
18	00-044672	Potentiometer	1
19	00-331597	Switch	1
20	00-331335	Motor (DC)	1
21	00-332404	Gripper Spring Assy.	4
22	00-175863	Knife	1
23	00-333147	Spring – Torsion	4
24	00-048353	Solenoid – Oil Immersed	1
25	00-332027	Solenoid – Narrow Film	1
26	00-332160	Angle and Pad Assy.	1
27	00-043454	Pad (Set of 13)	1
28	00-043929	Plate – Upper	1
29	00-331309	Bar Brake	1
30	00-332149	Knife Torsion Spring	2
31	00-332048-00001	Fuse (1 Amp.)	10
32	00-332048-00002	Fuse (2 Amp.)	5
33	00-332048-00003	Fuse (3 Amp.)	5
34	00-332048-00005	Fuse (5 Amp.)	5
35	00-331536	Varistor	1
36	FE-022-28	Fuse – (0.5 Amp.) Slo Blo	5
37	FE-017-03	Fuse (2 Amp.) Slo Blo	5
38	FE-022-29	Fuse (1 Amp.)	5
39	FE-023-25	Fuse (5 Amp.)	5
40	00-332845	Spring – Intake Finger	1
41	00-334882	Rod	5
42	SC-092-24	Cap Screw 6-32 x 3/8 Soc. Hex Hd.	5
43	WL-003-09	Lockwasher #6 Helical	5
44	00-330154	Slide Washer	2
45	00-330094	Roller – Rear Folder	1
46	00-334808	Belt – Discharge	5
47	00-330917	Fuse (10 Amp.) Slo Blo	5
48	00-331310	Limit Switch	2
49	00-043858	Transducer	1

