



CATALOG OF REPLACEMENT PARTS

MODEL FP100 FOOD PROCESSOR

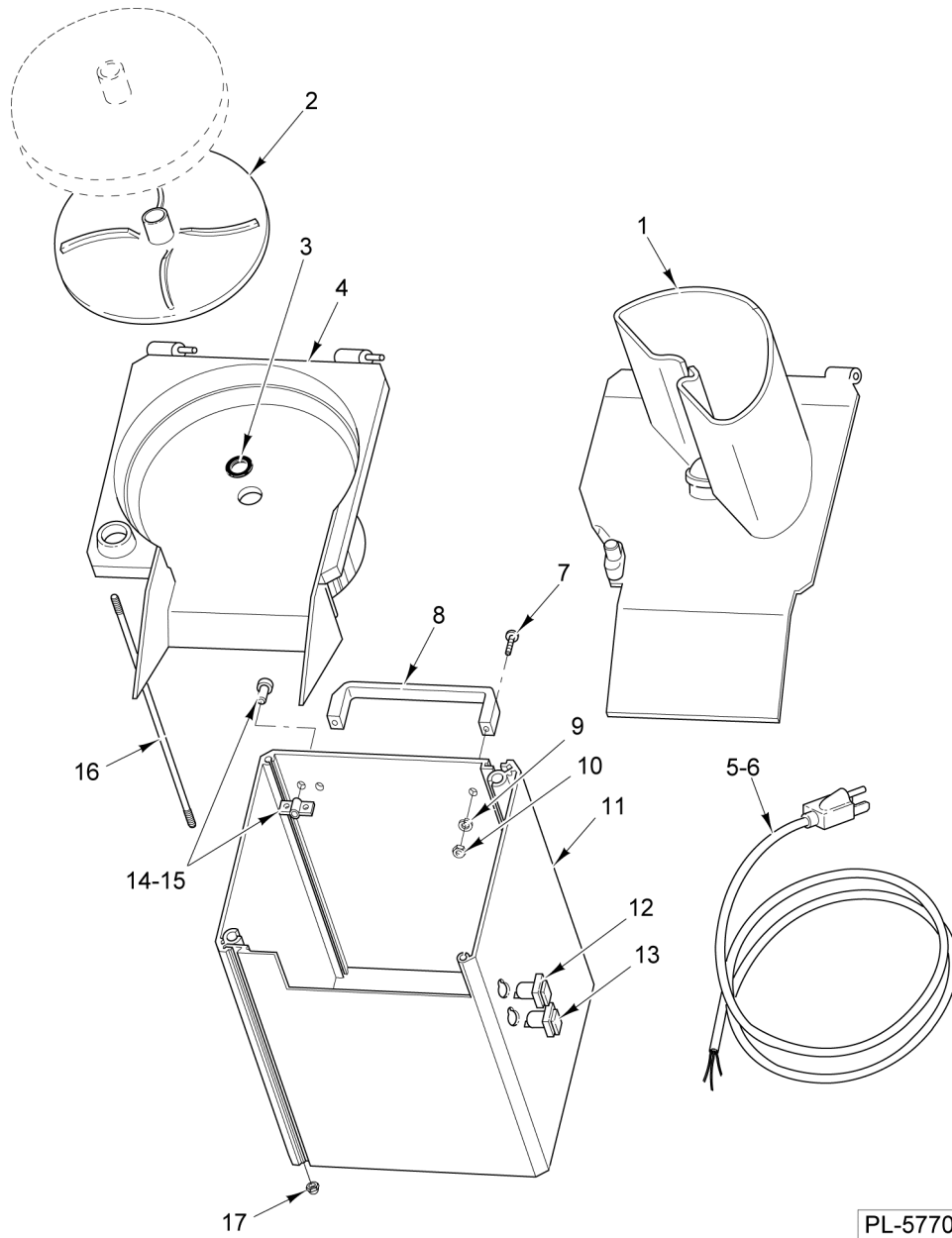


ML-38962
ML-134179

FP100
FP100C

Table of Contents

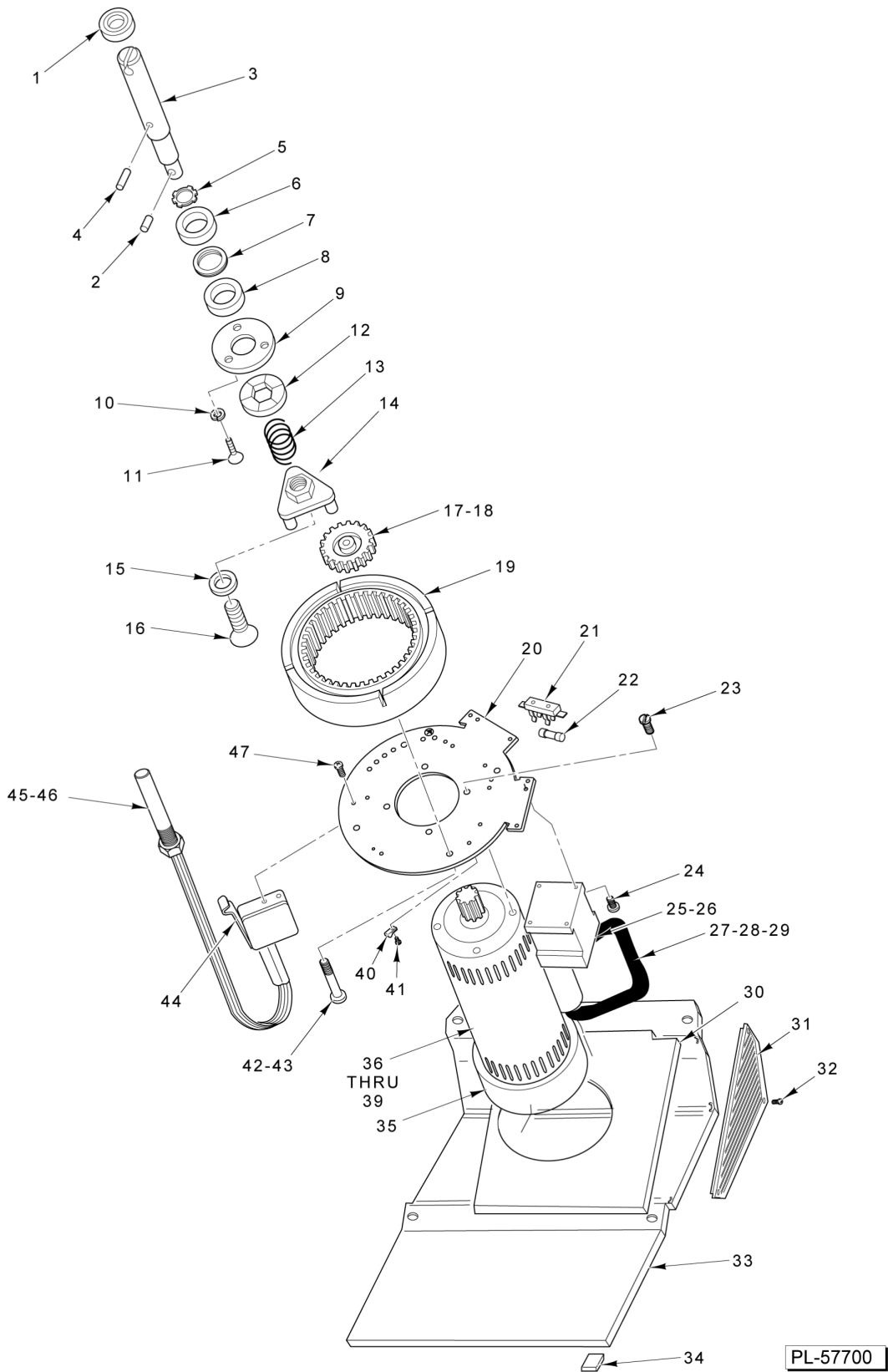
5	HOUSING UNIT
7	MOTOR AND BASE UNIT
9	ACCESSORIES (SLICER /JULIENNE)
11	ACCESSORIES (DICER / SHREDDER)
13	PUSH FEED HANDLE UNIT



HOUSING UNIT

HOUSING UNIT

ILLUS.	PART NO.	NAME OF PART	AMT.
PL-57702			
1	00-274314	Feed Head Assy.....	1
2	00-274316	Ejector.....	1
3	00-914735	Seal - Ring.....	1
4	00-915662	Knife - Chamber.....	1
5	00-274319	Cord & Plug (110/120 V.).....	1
6	00-477265	Cord & Plug (220/230 V.).....	1
7	SC-120-90	Mach. Screw M8 x 20mm Cheese Hd.....	2
8	00-274328	Handle Assy. (Incls Items 7, 9, & 10).....	1
9	WL-019-74	Lockwasher M8 Spring (SST).....	2
10	NS-047-36	Nut M8 x 1.25mm Hex.....	2
11	00-274330	Housing Assy.....	1
12	00-477266	Stop Button Assy.	1
13	00-478898	Switch Assy. (Start).....	1
14	FE-024-37	Relief - Strain (Power Cord) (110 V.).....	1
15	FE-025-33	Strain Relief (Power Cord) (220/230 V.).....	1
16	00-274327	Pin Screw Assy. (Incls. Lockwashers & Nuts).....	4
17	NS-047-91	Crown Nut M5 x 0.8.....	4



MOTOR AND BASE UNIT

MOTOR AND BASE UNIT

ILLUS. PL-57700	PART NO.	NAME OF PART	AMT.
1	00-274333	Seal - Rubber Washer 18 x 30mm.....	1
2	00-274323	Pin.....	1
3	00-274395	Shaft - Knife (NLA: Order P/N 00-938982 (Incls. Items 2-11 & Item 3 from HOUSING UNIT)).....	1
4	RP-006-24	Roll Pin 6mm x 28mm (SST).....	1
5	00-274400	Clip - Bearing.....	1
6	BB-017-09	Ball Bearing MRC 203S-01-ST-E-92-C.....	1
7	00-274399	Spacer - Bearing.....	1
8	BB-017-09	Ball Bearing MRC 203S-01-ST-E-92-C.....	1
9	00-274403	Shim - Brake.....	1
10	WL-019-75	Lockwasher 5.1mm Helical.....	3
11	SC-120-92	Mach. Screw M5 x 0.8 x 12mm Slotted Cheese Hd. (SST).....	3
12	00-274336	Disc - Brake.....	1
13	00-274394	Spring - Pressure.....	1
14	00-274393	Carrier - Planetary.....	1
15	00-274376	Washer - Spring.....	1
16	SC-120-93	Mach. Screw M5 x 0.8 x 10mm Hex Flat Hd. (SST).....	1
17	00-274402	Wheel - Planetary (Set of 3).....	3
18	00-274398	Washer - Planetary.....	3
19	00-274397	Ring - Planetary.....	1
20	00-478132	Motor Plate Assy.....	1
21	00-477269	Holder - Fuse.....	1
22	00-477268	Fuse T100 (220/230 V.).....	1
23	SC-120-94	Mach. Screw M5 x 0.8 x 10mm Slotted Cheese Hd. (SST).....	4
24	SD-037-41	Self-Tapping Screw 3.5 x 13mm Phil. Oval Hd., Type AB.....	4
*25	00-087713-089-1	Contactora (110/120 V.).....	1
26	00-087713-089-2	Contactora (220/230 V.).....	1
27	00-274390	Wiring Harness.....	1
28	00-274344	Circuit - RC (110 V.).....	1
29	00-274860	Circuit - RC (220 V.).....	1
30	00-274350	Plate - Fan.....	1
31	00-274351	Louver - Left & Right (Incls. Item 32).....	2
32	SD-037-40	Self-Tapping Screw 3.5 x 9.5mm Slotted Oval Hd., Type AB (SST).....	6
33	00-274352	Base Assy. (Incls. Item 34) (Give Serial Number).....	1
34	00-274353	Foot - Rubber.....	4
35	00-274387	Cover - Fan.....	1
36	00-875663	(110/120 V., 60 Hz.) (Not Shown).....	1
37	00-436480	Capacitor - Motor (220/230 V., 50 Hz.) (Not Shown).....	1
38	00-915218	Kit - Motor (120 V., 60 Hz., 1 Ph.).....	1
39	00-915663	Motor (220 V., 50 Hz., 1 Ph.).....	1
40	00-274405	Clamp - Cable.....	1
41	SD-037-42	Self-Tapping Screw 3.5 x 9.5mm Phil. Oval Hd., Type AB.....	1
42	SC-120-91	Mach. Screw M5 x 0.8 x 40mm Slotted Cheese Hd. (SST).....	4
43	WL-019-75	Lockwasher 5.1mm Helical.....	4
44	00-274346	Micro-Switch Assy.....	1
45	00-439663	Switch - Reed (110/120 V.).....	1
46	00-477264	Switch - Reed (220/230 V.).....	1
47	SD-037-42	Self-Tapping Screw 3.5 x 9.5mm Phil. Oval Hd., Type AB.....	2

* For Service on Machines Built Prior to SN 761009723, Order [00-478132](#).

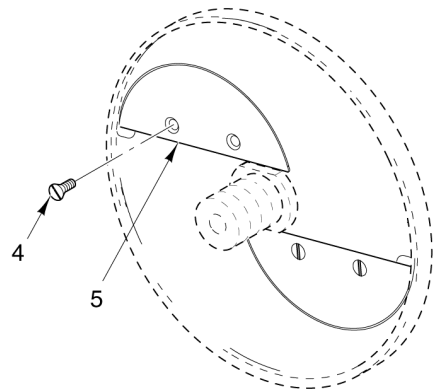
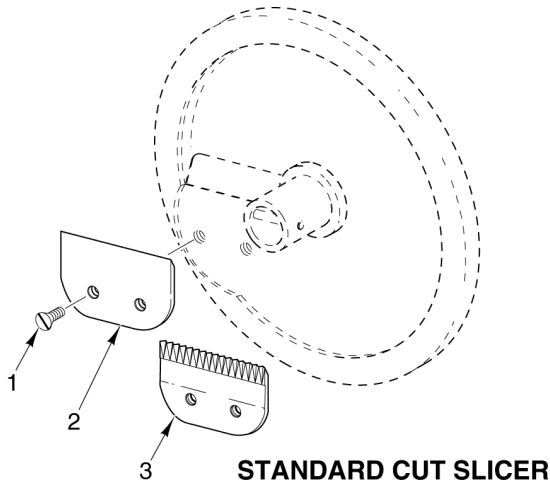


PLATE NO LONGER AVAILABLE,
ORDER ITEMS
24, 25, 26 OR 27

FINE CUT SLICER

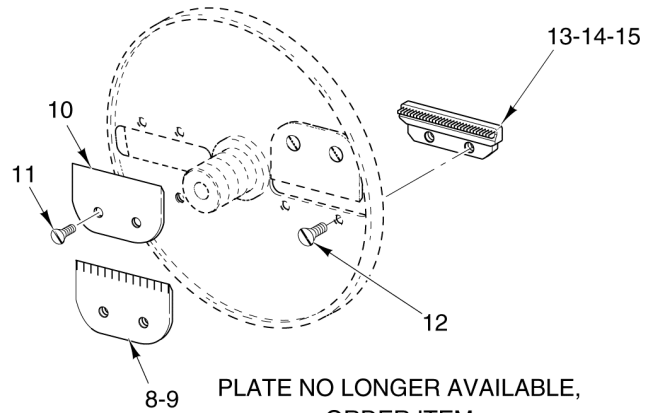
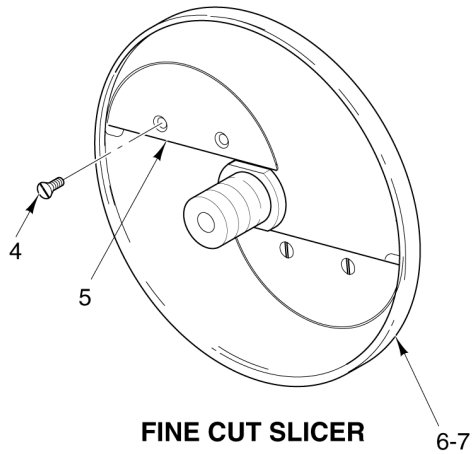
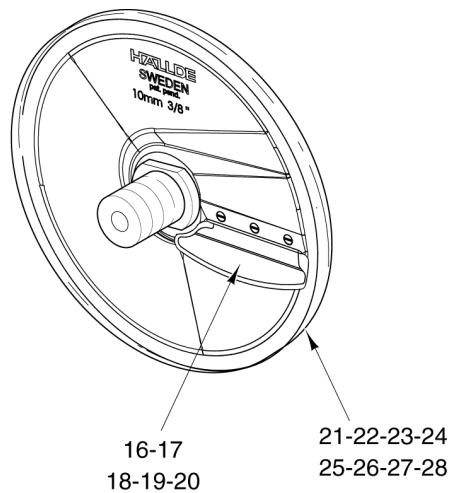


PLATE NO LONGER AVAILABLE,
ORDER ITEM
21

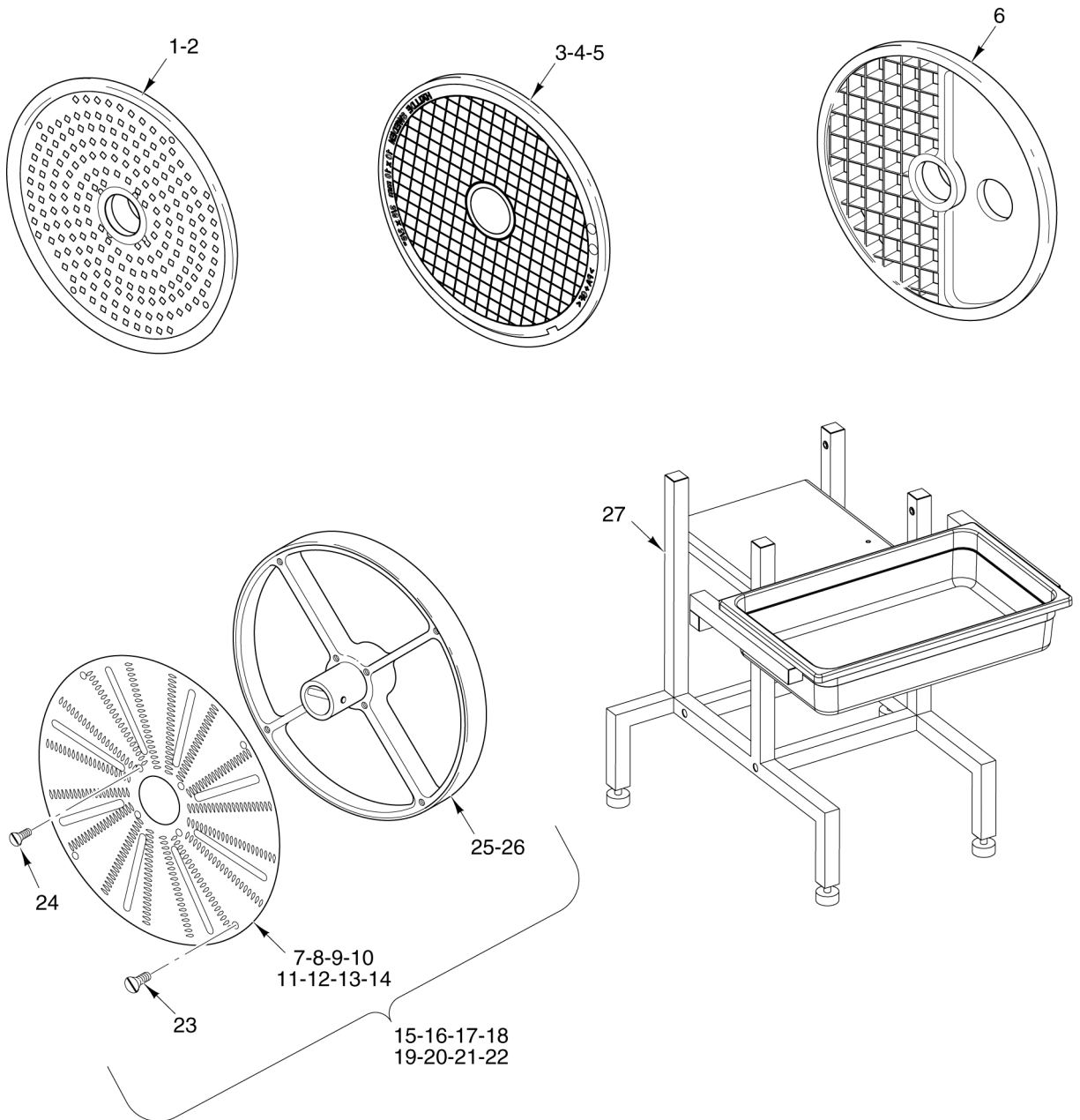


PL-57701

**ACCESSORIES
(SLICER / JULIENNE)**

**ACCESSORIES
(SLICER /JULIENNE)**

ILLUS. PL-57701	PART NO.	NAME OF PART	AMT.
1	SC-120-82	Mach. Screw M5 x 0.8 x 6mm Slotted Flat Hd. (SST).....	AR
2	00-274317	Knife - Standard Cut Slicer.....	AR
3	00-435128	Knife - Crimping Slicer.....	1
4	SC-120-82	Mach. Screw M5 x 0.8 x 6mm Slotted Flat Hd. (SST).....	AR
5	00-274318	Knife - Fine Cut Slicer.....	AR
6	00-914223	Plate - Slicer 3mm (1 Knife) (Incls. Item 5).....	1
7	00-915720	Plate - Fine Cut Slicer (5/8 In.) (SST).....	1
8	00-294968	Knife - Julienne (3/16 In.) (Use With Item 14).....	1
9	00-294968-00003	Knife - Julienne (5/16 In.) (Use with Item 15).....	1
10	00-274317	Knife - Standard Cut Slicer (Use With Item 13).....	1
11	SC-120-82	Mach. Screw M5 x 0.8 x 6mm Slotted Flat Hd. (SST).....	1
12	SC-120-83	Mach. Screw M4 x 0.7 x 0.6mm Slotted Flat Hd. (SST).....	1
13	00-437549	Knife - Balk (3/32 In.) (Use With Item 10).....	1
14	00-437550	Knife - Balk (3/16 In.) (Use With Item 8).....	1
15	00-437552	Knife - Balk (5/16 In.) (Use With Item 9).....	1
16	00-915631	Kit - Slicer 1.5 x 10mm Replacement Blade (SST).....	1
17	00-915632	Kit - Crimping Slicer.....	1
18	00-915633	Kit - Julienne 2 x 2mm Replacement Blades (SST).....	1
19	00-915634	Kit - Julienne 4 x 4mm Replacement Blades (SST).....	1
20	00-915635	Kit - Julienne 8 x 8mm Replacement Blades (SST).....	1
21	00-915525	Plate - Julienne 5/16 In. (8mm) (1 Knife) (1 Knife) (Incls. Items 20).....	1
22	00-915526	Plate - Julienne 5/32 In. (4mm) (SST) (1 Knife) (Incls. Item 19).....	1
23	00-915527	Plate - Julienne 5/64 In. (2mm) (SST) (2 Knives) (Incls. Item 18).....	1
24	00-915530	Plate - Fine Cut Slicer 1/16 In. (1.5mm) (2 Knife) (SST) (Incls. Items 16).....	1
25	00-915531	Plate - Fine Cut Slicer 3/8 In. (10mm) (1 Knife) (SST) (Incls. Items 16).....	1
26	00-915532	Plate - Fine Cut Slicer 5/32 In. (4mm) (1 Knife) (SST) (Incls. Items 16).....	1
27	00-915533	Plate - Fine Cut Slicer 7/32 In. (6mm) (1 Knife) (SST) (Incls. Items 16).....	1
28	00-915534	Plate - Crimping Slicer 5/32 In. (4mm) (SST) (1 Knife) (Incls. Items 17).....	1



- 28 00-274329 Brush
- 29 00-915528 Cutting Tools
- 30 00-915529 Cutting Tools
- 31 00-915698 Plate & Wall Rack Assy.

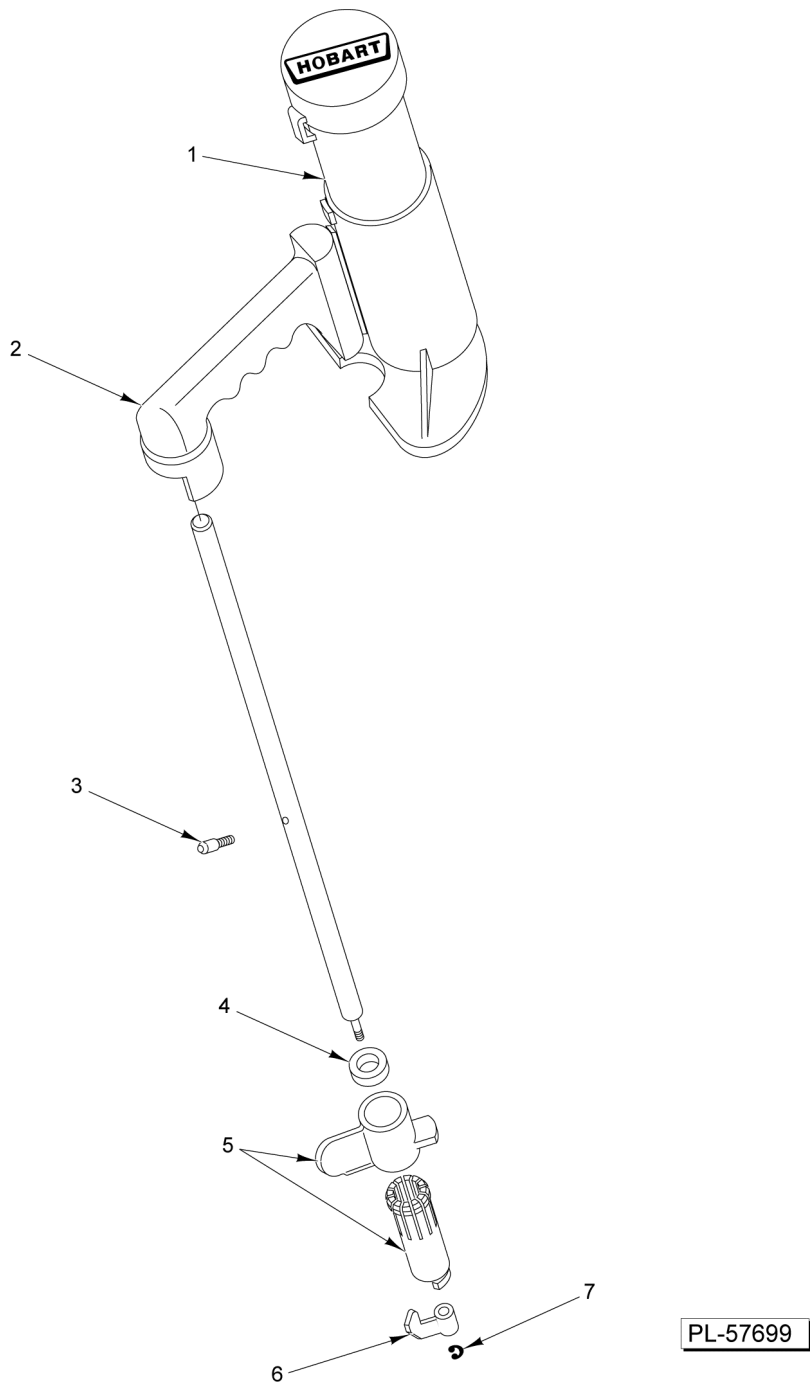
PARTS NOT ILLUSTRATED

PL-60752

**ACCESSORIES
(DICER / SHREDDER)**

**ACCESSORIES
(DICER / SHREDDER)**

ILLUS. PL-60752	PART NO.	NAME OF PART	AMT.
1	00-915524	Plate - Hard Cheese Grater (SST).....	1
2	00-915686	Insert - Grater Hard Cheese (SST).....	1
3	00-915697	Plate - Dicer 3/8 In. (10mm).....	1
4	00-915704	Plate - Dicer (3/4 In.).....	1
5	00-915705	Plate - Dicer 5/8 In. (16mm).....	1
6	00-477317	Plate - Dicer (9/32 In.).....	1
7	00-435734	Insert - Shredder Plate 1/16 In. (1.5mm).....	1
8	00-274409	Insert - Shredder Plate 1/8 In. (3mm).....	1
9	00-274320	Insert - Shredder Plate 5/64 In. (2mm).....	1
10	00-274343	Insert - Shredder Plate 3/16 In. (4.5mm).....	1
11	00-435735	Insert - Shredder Plate 7/32 In. (6mm).....	1
12	00-274410	Insert - Shredder Plate 5/16 In. (8mm).....	1
13	00-914232	Insert - Extra Fine Grater Plate.....	1
14	00-274411	Insert - Fine Grater Plate.....	1
15	00-914226	Plate - Extra Fine Grater.....	1
16	00-435730	Plate - Fine Grater.....	1
17	00-435724	Plate - Shredder 1/16 In. (1.5mm).....	1
18	00-435725	Plate - Shredder (3/32 In.).....	1
19	00-435726	Plate - Shredder 1/8 In. (3mm).....	1
20	00-435727	Plate - Shredder 3/16 In. (4.5mm).....	1
21	00-435729	Plate - Shredder 5/16 In. (8mm).....	1
22	00-435728	Plate - Shredder 7/32 In. (6mm).....	1
23	SD-037-39	Self-Tapping Screw 2.9mm x 13mm Slotted Flat Hd., Type AB (SST).....	AR
24	SD-038-39	Self-Tapping Screw 3.5mm x 13mm Slotted Oval Hd., Type AB (SST).....	AR
25	00-435731	Frame - Fine Grater (For 1/16 In., 3/32 In., & 1/8 In. Inserts).....	1
26	00-435732	Frame - Fine Grater (For 3/16 In., 7/32 In., & 5/16 In. Inserts).....	1
27	00-914717	Table - Work.....	1
28	00-274329	Brush (Cleaning).....	1
29	00-915528	Cutting Tools - 3-Pack.....	1
30	00-915529	Cutting Tools - 6-Pack.....	1
31	00-915698	Plate & Wall Racks Assy. (SST) (6 Plates & 2 Wall Racks).....	1



PUSH FEED HANDLE UNIT

PUSH FEED HANDLE UNIT

ILLUS.	PART NO.	NAME OF PART	AMT.
PL-57699			
1	00-274312	Plunger - Pestle.....	1
2	00-944068	Handle - Push (Feed) (Order With Item 3).....	1
3	00-274323	Pin.....	2
4	00-274324	Seal - Rubber Washer.....	1
5	00-274325	Lock - Push Handle (Incls. Item 4).....	1
6	00-274326	Activator (Incls. Item 7).....	1
7	RR-011-99	Retaining Ring.....	1

