



# CATALOG OF REPLACEMENT PARTS

## MODEL FP150 FOOD PROCESSOR



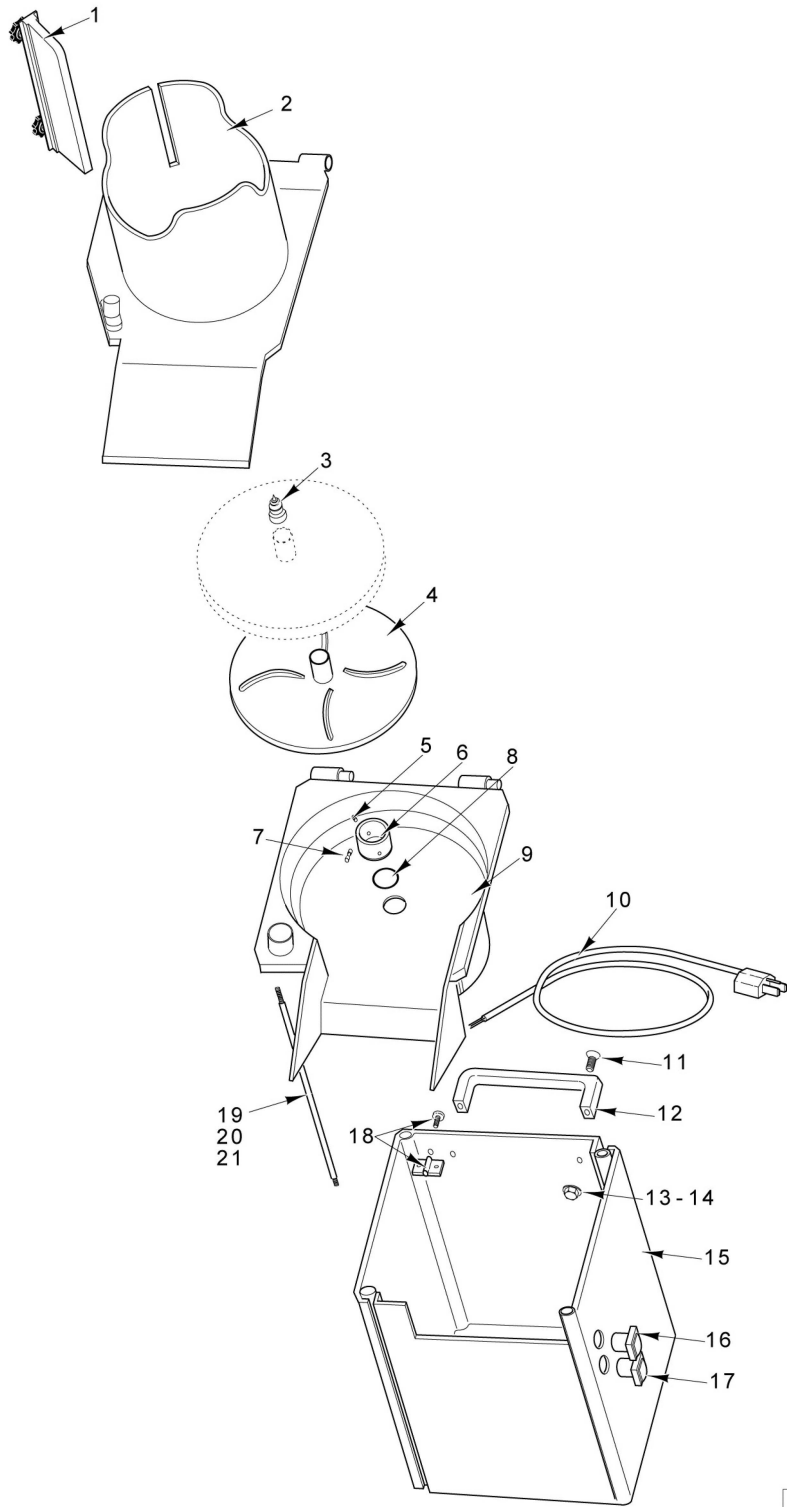
ML-104600  
ML-134180

FP150  
FP150C



**Table of Contents**

5	HOUSING UNIT
7	MOTOR AND BASE UNIT
9	ACCESSORIES (SLICER / JULIENNE)
11	ACCESSORIES (DICER / SHREDDER)
13	PUSH FEED HANDLE UNIT

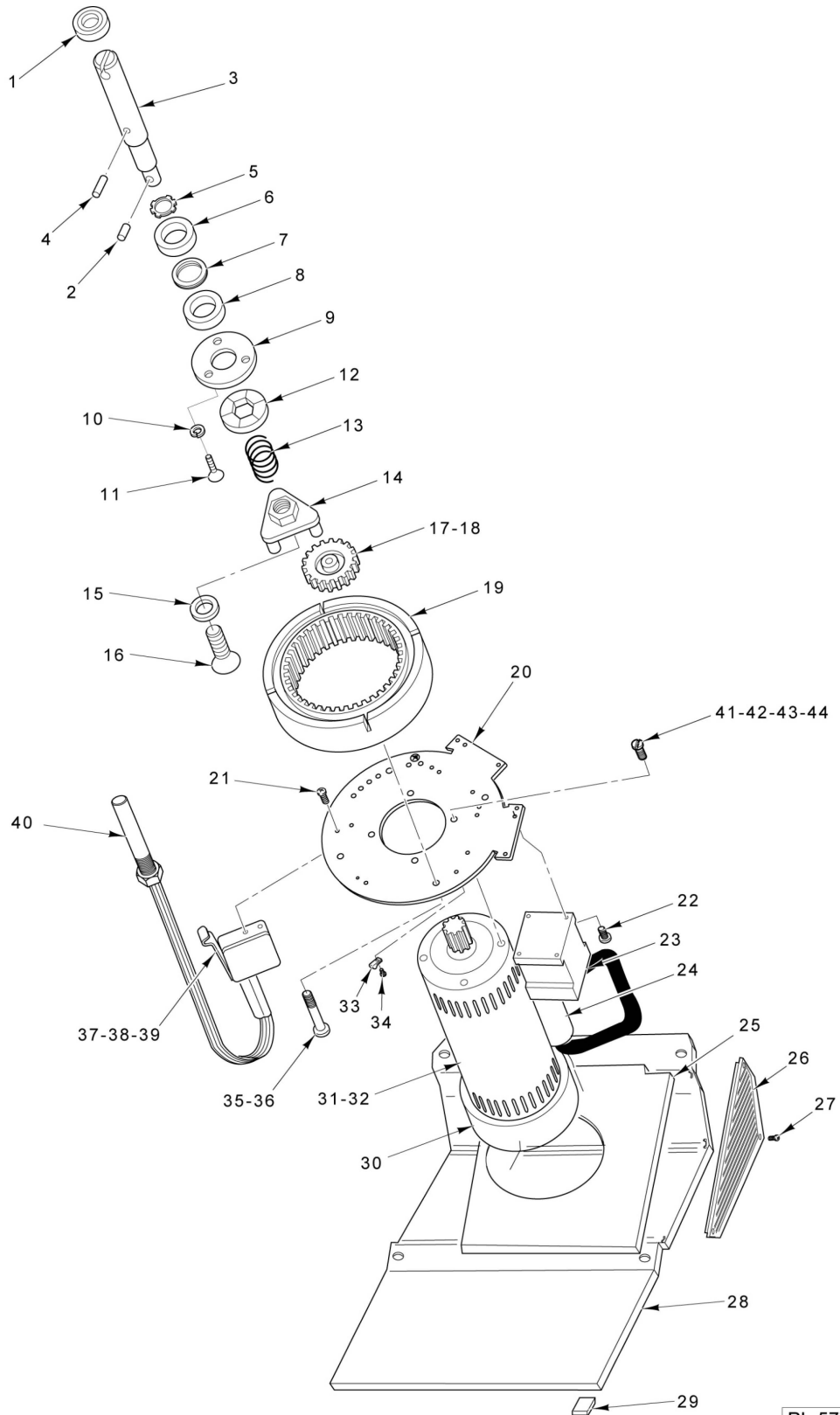


PL-57703

**HOUSING UNIT**

**HOUSING UNIT**

ILLUS.	PART NO.	NAME OF PART	AMT.
PL-57703			
1	00-436466	Partition - Removable (With Knobs).....	1
2	00-436467	Feed Head Assy.....	1
3	00-436420	Screw - Locking.....	1
4	00-436422	Ejector.....	1
5	00-478844	Pin.....	2
6	00-436418	Sleeve - Thrust.....	1
7	00-436419	Pin - Carrier.....	1
8	00-914735	Seal - Ring.....	1
9	00-436483	Housing - Knife.....	1
10	00-274319	Cord & Plug (110/120 V.).....	1
11	SC-120-90	Mach. Screw M8 x 20mm Cheese Hd.....	2
12	00-274328	Handle Assy. (Incls. Items 11, 13, & 14).....	1
13	WL-019-74	Lockwasher M8 Spring (SST).....	2
14	NS-047-36	Nut M8 x 1.25mm Hex.....	2
15	00-274330	Housing Assy.....	1
16	00-477266	Button Assy. - Stop.....	1
17	00-478898	Switch Assy. (Start).....	1
18	FE-025-33	Strain Relief (Power Cord).....	1
19	00-274327	Pin Screw Assy. (Incls. Items 20 & 21).....	4
20	WL-019-75	Lockwasher 5.1mm Helical.....	4
21	NS-047-91	Crown Nut M5 x 0.8.....	4



PL-57704

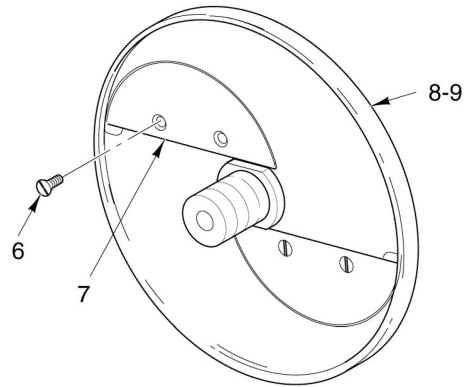
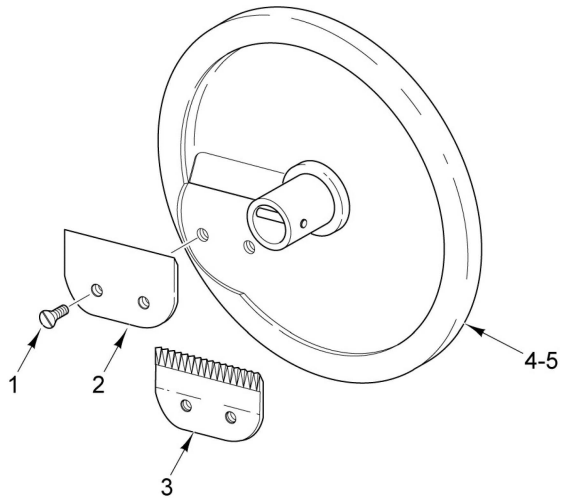
**MOTOR AND BASE UNIT**

**MOTOR AND BASE UNIT**

ILLUS.	PART NO.	NAME OF PART	AMT.
	PL-57704		
1	00-274333	Seal - Rubber Washer 18 x 30mm.....	1
2	SC-121-48	Set Screw M8 x 1.25 x 12mm Socket Hdls., Cup Pt. (SST).....	1
3	00-436416	Shaft - Knife.....	1
4	RP-006-24	Roll Pin 6mm x 28mm (SST).....	1
5	00-274400	Clip - Bearing.....	1
6	BB-017-09	Ball Bearing MRC 203S-01-ST-E-92-C.....	1
7	00-274399	Spacer - Bearing.....	1
8	BB-017-09	Ball Bearing MRC 203S-01-ST-E-92-C.....	1
9	00-274403	Shim - Brake.....	1
10	WL-019-75	Lockwasher 5.1mm Helical.....	3
11	SC-120-92	Mach. Screw M5 x 0.8 x 12mm Slotted Cheese Hd. (SST).....	3
12	00-274336	Disc - Brake.....	1
13	00-274394	Spring - Pressure.....	1
14	00-274393	Carrier - Planetary.....	1
15	00-274376	Washer - Spring.....	1
16	SC-120-93	Mach. Screw M5 x 0.8 x 10mm Hex Flat Hd. (SST).....	1
17	00-274402	Wheel - Planetary.....	3
18	00-274398	Washer - Planetary.....	3
19	00-274397	Ring - Planetary.....	1
20	00-478132	Motor Plate Assy.....	1
21	SD-037-42	Self-Tapping Screw 3.5 x 9.5mm Phil. Oval Hd., Type AB.....	2
22	SD-037-41	Self-Tapping Screw 3.5 x 13mm Phil. Oval Hd., Type AB.....	4
*23	00-087713-089-1	Contactora (110/120 V., 60 Hz.).....	1
24	00-274344	Circuit - RC (110 V.).....	1
25	00-436465	Plate - Fan.....	1
26	00-274351	Louver - Left & Right (Incls. Item 27).....	2
27	SD-037-40	Self-Tapping Screw 3.5 x 9.5mm Slotted Oval Hd., Type AB (SST).....	6
28	00-274352	Base Assy. (Incls. Item 34) (Give Serial Number).....	1
29	00-274353	Foot - Rubber.....	4
30	00-274387	Cover - Fan.....	1
31	00-875663	Capacitor (Motor).....	1
**32	00-436470	Motor (Incls. Items 30 & 31).....	1
33	00-274405	Clamp - Cable.....	1
34	SD-037-42	Self-Tapping Screw 3.5 x 9.5mm Phil. Oval Hd., Type AB.....	1
35	SC-120-91	Mach. Screw M5 x 0.8 x 40mm Slotted Cheese Hd. (SST).....	4
36	WL-019-75	Lockwasher 5.1mm Helical.....	4
37	SC-120-95	Mach. Screw M3 x 16mm Phil. Oval Hd. (SST).....	2
38	00-439302	Plate - Insulating.....	1
39	00-439300	Micro-Switch Assy.....	1
40	00-439663	Switch - Reed (110/120 V.).....	1
41	SC-120-94	Mach. Screw M5 x 0.8 x 10mm Slotted Cheese Hd. (SST).....	4
42	SC-118-28	Mach. Screw M4 x 0.7 x 12mm Slotted Pan Hd. (SST) (Grounding Hardware, Included W/Item 20).....	AR
43	WL-200-03	Lockwasher M4 (SST) (Grounding Hardware, Included With Item 20).....	AR
44	NS-047-36	Nut M8 x 1.25mm Hex (SST) (Grounding Hardware, Included With Item 20).....	AR

\* For Service on Machines Built Prior to SN 761009459, Order 00-478132.

\*\* Must supply Serial Number to Order



**FINE CUT SLICER**

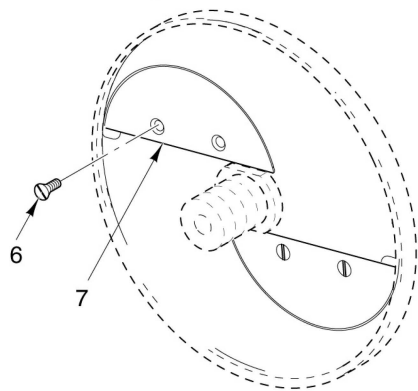
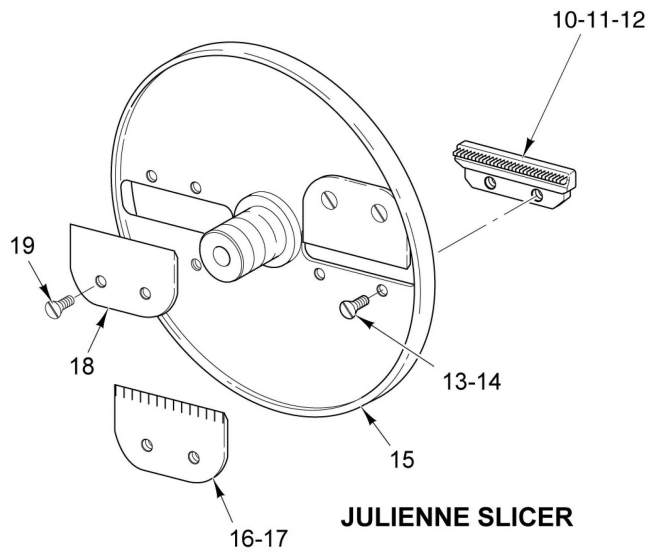


PLATE NO LONGER AVAILABLE,  
ORDER ITEM 22, 23, 24, 25, OR 26  
**FINE CUT SLICER**



**JULIENNE SLICER**

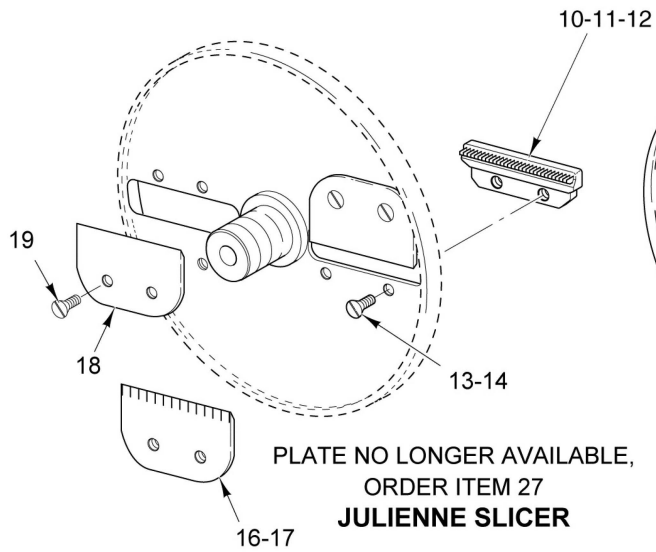
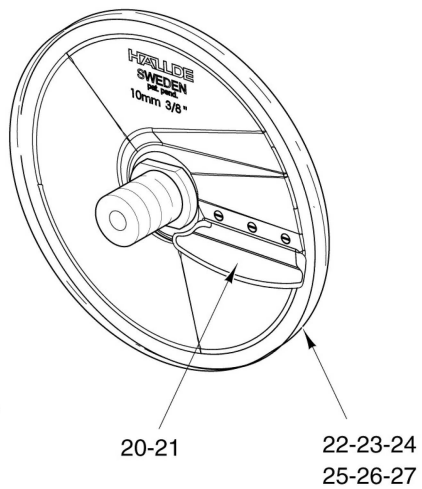


PLATE NO LONGER AVAILABLE,  
ORDER ITEM 27  
**JULIENNE SLICER**

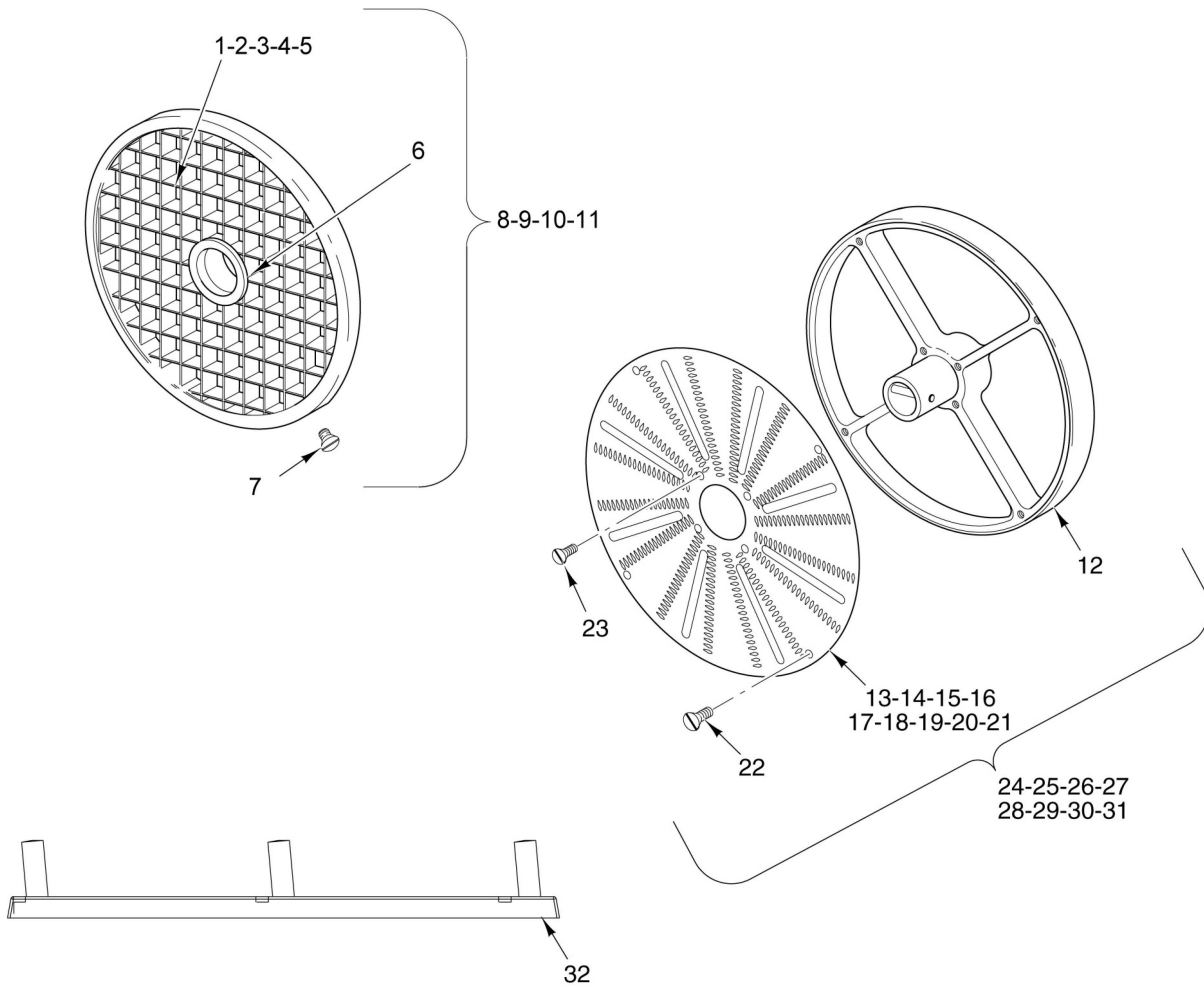


PL-57705

**ACCESSORIES  
(SLICER / JULIENNE)**

**ACCESSORIES  
(SLICER / JULIENNE)**

ILLUS. PL-57705	PART NO.	NAME OF PART	AMT.
1	SC-120-82	Mach. Screw M5 x 0.8 x 6mm Slotted Flat Hd. (SST).....	AR
2	00-274317	Knife - Standard Cut Slicer.....	AR
3	00-435128	Knife - Crimping Slicer.....	1
4	00-436460	Plate - Crimping Slicer (3/16 In.) (1-Knife) (Incls. Items 1 & 3).....	1
5	00-914164	Plate - Slicer (1/2 In.) (2 Knife) (Incls. Items 1 & 2).....	1
6	SC-120-82	Mach. Screw M5 x 0.8 x 6mm Slotted Flat Hd. (SST).....	AR
7	00-274318	Knife - Fine Cut Slicer.....	AR
8	00-915719	Plate - Fine Slicer (5/8 In.) (Alum.) (1 Knife) (Incls. Items 6 & 7).....	1
9	00-478228	Plate - Fine Cut Slicer (3/32 In.) (2-Knife) (Alum.) (Incls. Items 6 & 7).....	1
10	00-437549	Knife - Balk (3/32 In.) (Use With Item 18).....	2
11	00-437550	Knife - Balk (3/16 In.) (Use With Item 16).....	1
12	00-437552	Knife - Balk (5/16 In.) (Use With Item 17).....	1
13	SC-118-26	Mach. Screw M4 x 0.7 x 10mm Slotted Flat Hd. (SST).....	AR
14	SC-120-83	Mach. Screw M4 x 0.7 x 0.6mm Slotted Flat Hd. (SST).....	AR
15	00-437252	Plate Assy. - Julienne (3/32 In.) (2-Knife) (Incls. Items 10, 13, 18, & 19).....	1
16	00-294968	Knife - Julienne (3/16 In.) (Use with Item 11).....	1
17	00-294968-00003	Knife - Julienne (5/16 In.) (Use with Item 12).....	1
18	00-274317	Knife - Standard Cut Slicer (Use with Item 10 for 3/32 Julienne).....	2
19	SC-120-82	Mach. Screw M5 x 0.8 x 6mm Slotted Flat Hd. (SST).....	1
20	00-915631	Kit - Slicer 1.5 x 10mm Replacement Blade (SST).....	1
21	00-915635	Kit - Julienne 8 x 8mm Replacement Blades (SST).....	1
22	00-915548	Plate - Fine Slicer (1/16 In.) (SST) (2 Knife) (Incls. Item 20).....	1
23	00-915549	Plate - Fine Slicer (1/8 In.) (SST) (1 Knife) (Incls. Item 20).....	1
24	00-915551	Plate - Fine Slicer (3/8 In.) (SST) (1 Knife) (Incls. Item 20).....	1
25	00-915553	Plate - Fine Slicer (5/32 In.) (SST) (1 Knife) (Incls. Item 20).....	1
26	00-915554	Plate - Fine Slicer (7/32 In.) (SST) (1 Knife) (Incls. Item 20).....	1
27	00-915537	Plate - Julienne (5/16 In.) (SST) (Incls. Item 21).....	1



- 33 00-274329 Brush
- 34 00-436421 Wrench - Locking Screw
- 35 00-938987 Kit - Plate (Jimmy Johns)

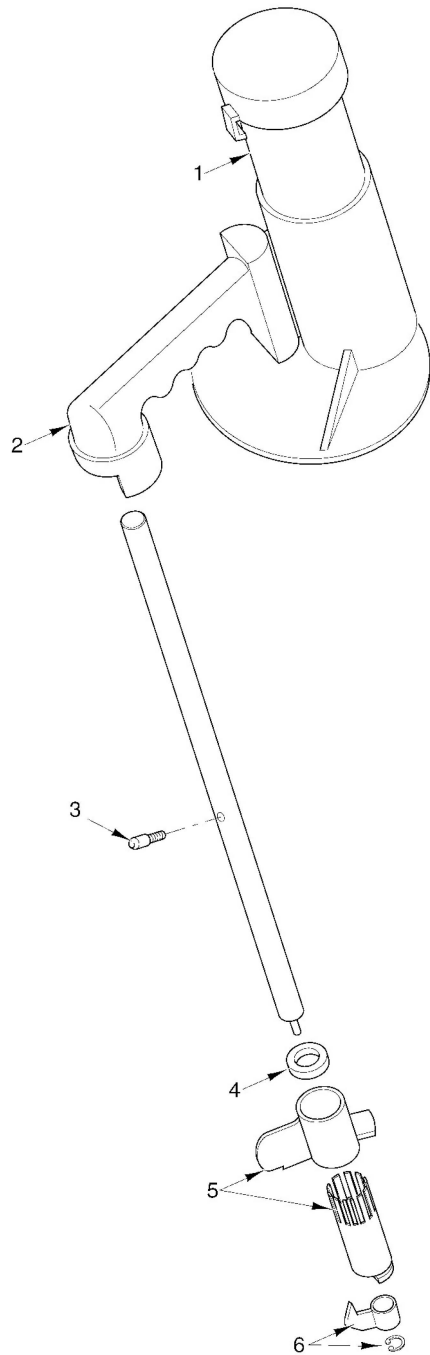
**PARTS NOT ILLUSTRATED**

PL-60753

**ACCESSORIES  
(DICER / SHREDDER)**

**ACCESSORIES  
(DICER / SHREDDER)**

ILLUS. PL-60753	PART NO.	NAME OF PART	AMT.
1	00-477782	Kit - Dicing Grid Knife (9/32 In.).....	1
2	00-477783	Kit - Dicing Grid Knife (3/8 In.).....	1
3	00-477784	Kit - Dicing Grid Knife (5/8 In.).....	1
4	00-477785	Kit - Dicing Grid Knife (3/4 In.).....	1
5	00-435116	Kit - French Fry Knife.....	1
6	00-477716	Ring - Center Grid.....	1
7	SC-120-83	Mach. Screw M4 x 0.7 x 0.6mm Slotted Flat Hd. (SST).....	8
8	00-477712	Plate Assy. - Dicer (9/32 In.) (Incls. Items 1, 6, & 7).....	1
9	00-477713	Plate Assy. - Dicer (3/8 In.) (Incls. Items 2, 6, & 7).....	1
10	00-477714	Plate Assy. - Dicer (5/8 In.) (Incls. Items 3, 6, & 7).....	1
11	00-477715	Plate Assy. - Dicer (3/4 In.) (Incls. Items 4, 6, & 7).....	1
12	00-436414	Frame (For 3/16 In., 5/16 In., 7/32 In., 3/8 In. Inserts).....	1
13	00-435734	Insert - Shredder Plate 1/16 In. (1.5mm).....	1
14	00-274409	Insert - Shredder Plate 1/8 In. (3mm).....	1
15	00-274320	Insert - Shredder Plate 5/64 In. (2mm).....	1
16	00-274343	Insert - Shredder Plate 3/16 In. (4.5mm).....	1
17	00-435735	Insert - Shredder Plate 7/32 In. (6mm).....	1
18	00-274410	Insert - Shredder Plate 5/16 In. (8mm).....	1
19	00-875322	Insert - Shredder Plate 3/8 In. (10mm).....	1
20	00-914232	Insert - Extra Fine Grater Plate.....	1
21	00-274411	Insert - Fine Grater Plate.....	1
22	SD-037-39	Self-Tapping Screw 2.9mm x 13mm Slotted Flat Hd., Type AB (SST).....	AR
23	SD-038-39	Self-Tapping Screw 3.5mm x 13mm Slotted Oval Hd., Type AB (SST).....	AR
24	00-914225	Plate - Extra Fine Grater (Incls. Items 12, 20, 22, & 23).....	1
25	00-915536	Plate - Fine Grater (SST) (Incls. Items 12, 21, 22, & 23).....	1
26	00-915541	Plate - Shredder (1/16 In.) (SST) (Incls. Items 12, 13, 22, & 23).....	1
27	00-915542	Plate - Shredder (1/8 In.) (SST) (Incls. Items 12, 14, 22, & 23).....	1
28	00-915543	Plate - Shredder (3/16 In.) (SST) (Incls. Items 12, 16, 22, & 23).....	1
29	00-915547	Plate - Shredder (7/32 In.) (SST) (Incls. Items 12, 17, 22, & 23).....	1
30	00-915545	Plate - Shredder (5/16 In.) (SST) (Incls. Items 12, 18, 22, & 23).....	1
31	00-915544	Plate - Shredder (3/8 In.) (SST) (Incls. Items 12, 19, 22, & 23).....	1
32	00-914839	Rack - Wall.....	1
33	00-274329	Brush (Cleaning).....	1
34	00-436421	Wrench - Decoring Screw.....	1
35	00-938987	Kit - Plate (Jimmy Johns).....	1



PL-57706

### PUSH FEED HANDLE UNIT

**PUSH FEED HANDLE UNIT**

<b>ILLUS.</b>	<b>PART NO.</b>	<b>NAME OF PART</b>	<b>AMT.</b>
PL-57706			
1	00-274312	Plunger - Pestle.....	1
2	00-436463	Handle - Push (Feed) (Order With Item 3).....	1
3	00-274323	Pin.....	2
4	00-274324	Seal - Rubber Washer.....	1
5	00-274325	Lock - Push Handle.....	1
6	00-437304	Activator & Clip.....	1

