



# CATALOG OF REPLACEMENT PARTS

## MODEL FP300 FOOD PROCESSOR



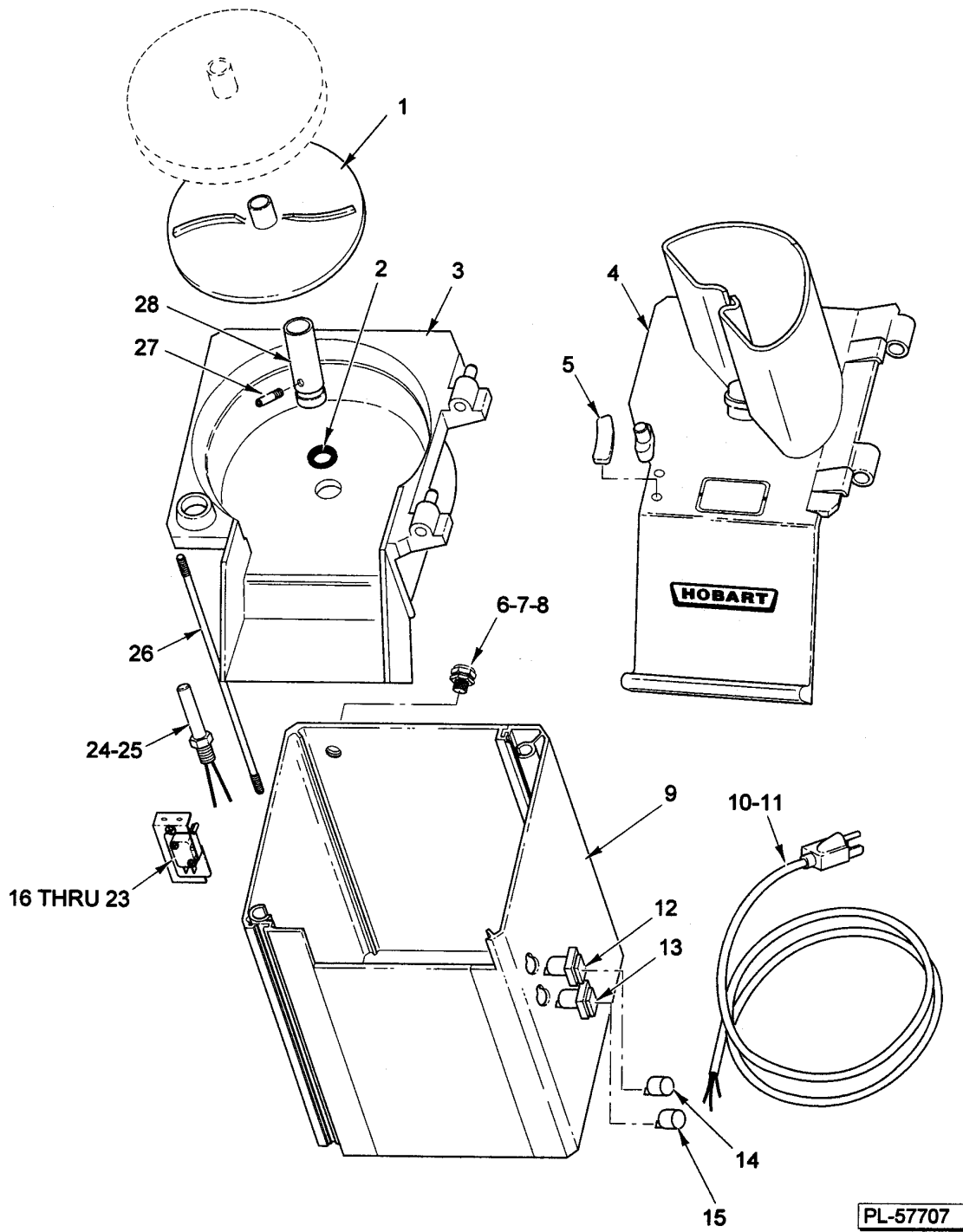
ML-104495  
ML-134181

FP300  
FP300C



**Table of Contents**

5	HOUSING UNIT
7	MOTOR AND BASE UNIT
9	ACCESSORIES
11	PUSH FEED HANDLE UNIT

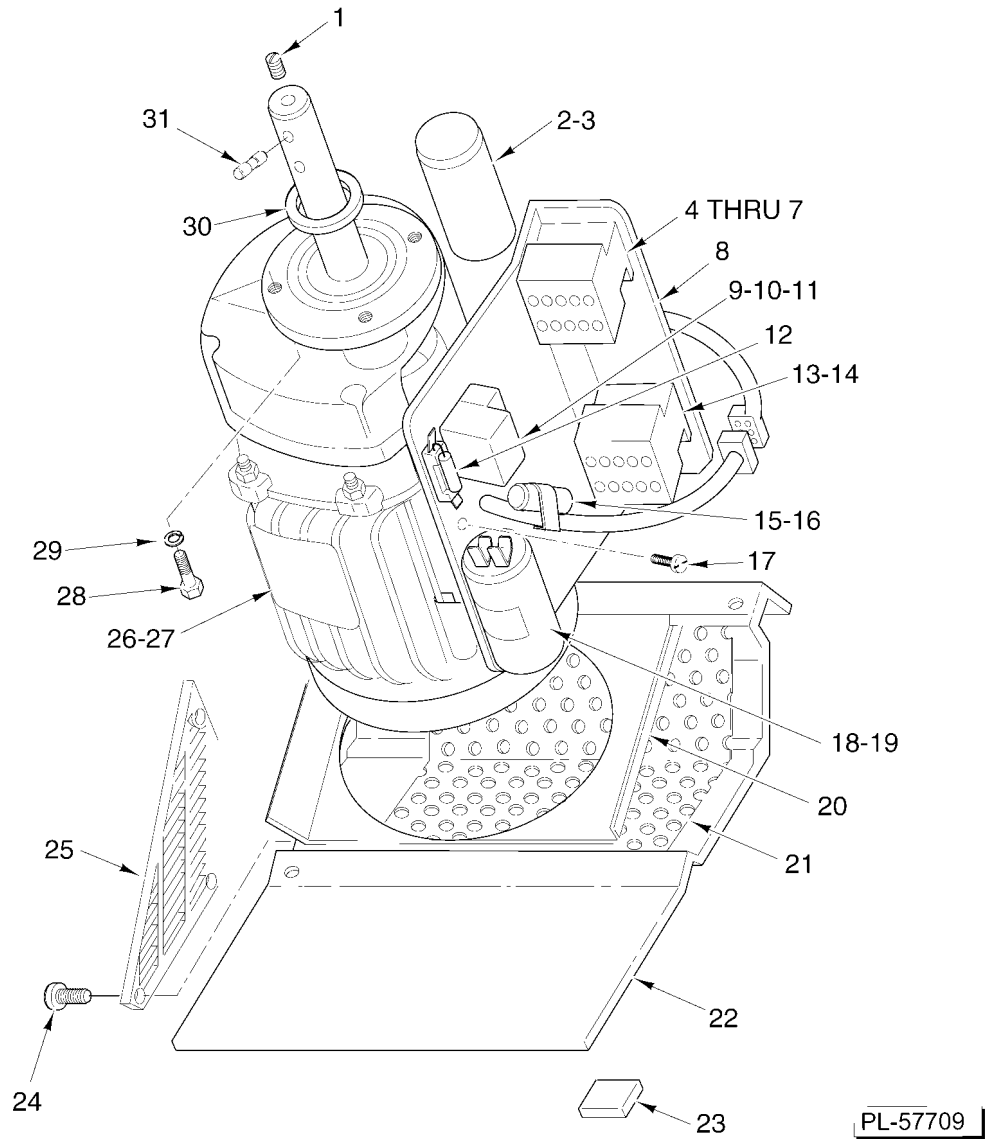


**HOUSING UNIT**

**HOUSING UNIT**

**HOUSING UNIT**

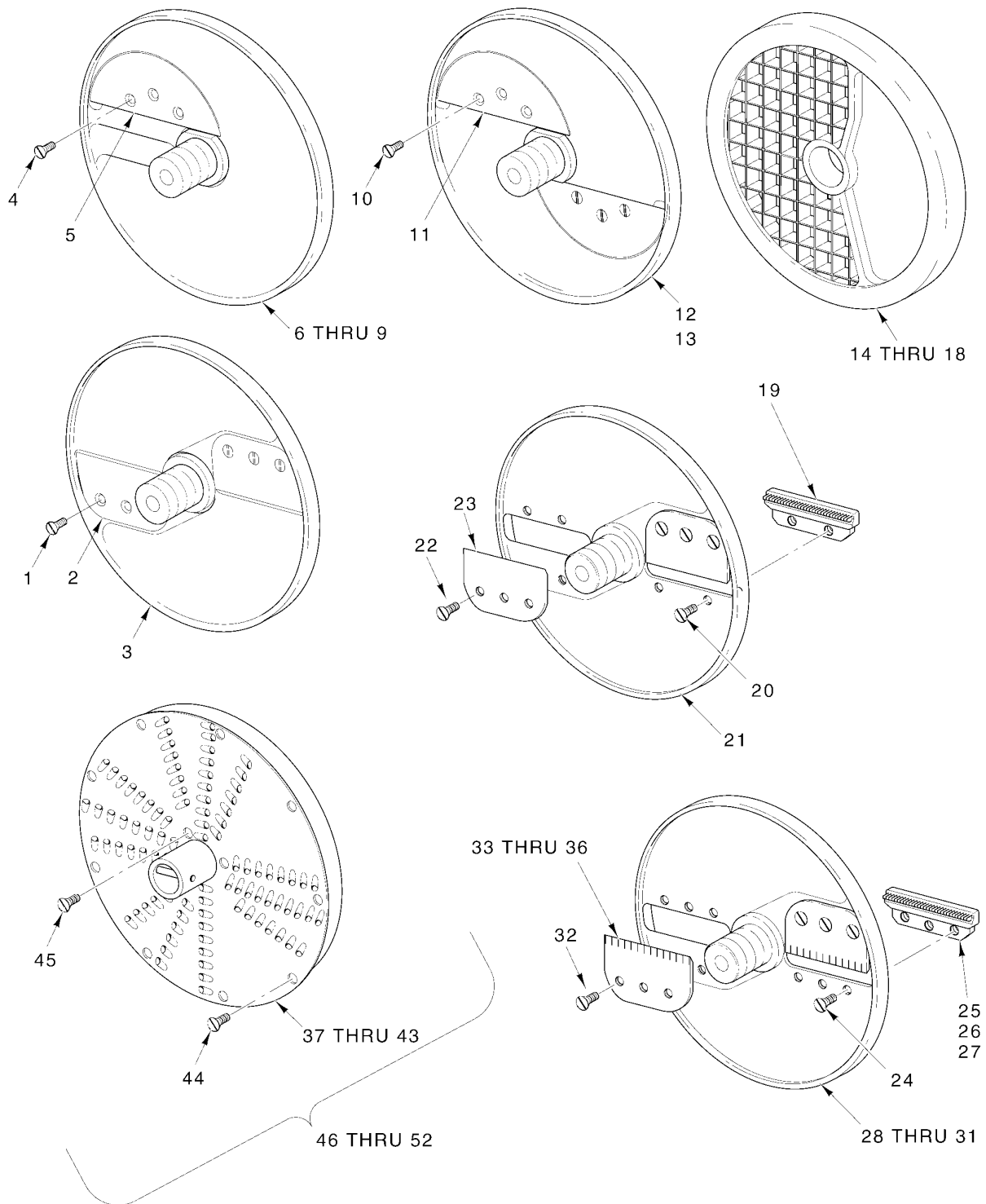
ILLUS.	PART NO.	NAME OF PART	AMT.
PL-57707			
1	00-439142	Ejector.....	1
2	00-439129	Seal - Washer.....	1
3	00-439130	Knife - Chamber.....	1
4	00-439287	Feed Head Assy. (Incls. Item 5).....	1
5	00-439119	Plate - Friction.....	1
6	00-439168	Flange - Reducing.....	1
7	FE-024-37	Relief - Strain (Power Cord) (110/120 V.).....	1
8	FE-025-35	Relief - Strain (Power Cord) (220/240 V.).....	1
9	00-439141	Housing Assy.....	1
10	00-274857	Cord & Plug (110/120 V.).....	1
11	00-477265	Cord & Plug (220/240 V.).....	1
12	00-477266	Button - Stop (220/240 V.).....	1
13	00-477267	Button - Start (220/240 V.).....	1
14	00-875522	Button - Stop (110/120 V.).....	1
15	00-875523	Button - Start (110/120 V.).....	1
16	00-439300	Micro-Switch Assy.....	4
17	00-439301	Bracket - Switch.....	1
18	00-439302	Plate - Insulating.....	1
19	SD-017-34	Self-Tapping Screw 6-20 x 5/8 Truss Hd.....	2
20	SC-122-37	Mach. Screw M4 x 0.7 x 10mm Pan Hd. SST.....	2
21	NS-200-03	Nut Hex M4 x 0.7 (SST.).....	2
22	SC-122-37	Mach. Screw M4 x 0.7 x 10mm Pan Hd. SST.....	2
23	WL-200-03	Lockwasher.....	2
24	00-439663	Switch - Reed (110/120 V.).....	1
25	00-477264	Switch - Reed PR15 (220/240 V.).....	1
26	00-439131	Kit - Pull Rod.....	1
27	00-274323	Pin.....	1
28	00-439125	Sleeve - Thrust.....	1



**MOTOR AND BASE UNIT**

**MOTOR AND BASE UNIT**

ILLUS.	PART NO.	NAME OF PART	AMT.
	<b>PL-57709</b>		
1	SC-121-48	Set Screw M8 x 1.25 x 12mm Socket Hdls., Cup Pt. (SST).....	1
2	00-439140	Capacitor - Run (80) (110/120 V.).....	1
3	00-477277	Capacitor (80MF) (220/240 V.).....	1
4	00-875529	Protector - Overload LRD16 10-13 (110/120 V.).....	1
5	00-875526	Contactactor (110/120 V.).....	1
6	00-914116	Protector - Overload LRD16 10-13 (220/240 V.).....	1
7	00-914114	Contactactor (220/240 V.).....	1
8	00-439139	Panel & Hardware Control.....	1
9	00-479591	Kit - Start Relay.....	1
10	00-087714-00061	Relay (110/120 V.).....	1
11	00-477278	Relay - Start (230 V.).....	1
12	00-439167	Resistor Assy. (Service Only).....	2
13	00-914113	Contactactor (110/120 V.).....	1
14	00-087713-00100	Contactactor (110/120 V.) (FP300C).....	1
15	00-274344	Circuit - RC (110 V.).....	1
16	00-274860	Circuit - RC (220 V.).....	1
17	SC-200-20	Mach. Screw M5 x 0.8 x 6mm Slotted Cheese Hd.....	1
18	00-439137	Capacitor - Start (110/120 V.).....	1
19	00-477276	Capacitor (220/240 V.) (20MF).....	1
20	00-439136	Plate - Fan.....	1
21	00-439296	Plate - Protector.....	1
22	00-439135	Base.....	1
23	00-274353	Foot - Rubber.....	4
24	SD-037-40	Self-Tapping Screw 3.5 x 9.5mm Slotted Oval Hd., Type AB (SST).....	3
25	00-274351	Louver - Left & Right.....	1
26	00-439134	Motor - Gear (120 V.) (Incls. Fan, Shroud & Gear).....	1
27	00-477273	Motor (220/240 V.).....	1
28	SC-118-43	Cap Screw M6 x 1.0 x 20mm Hex Hd. (SST).....	4
29	WL-006-17	Lockwasher 1/4 Helical (SST).....	4
30	00-439133	Ring - Seal.....	1
31	00-439124	Pin - Carrier.....	1
	00-479592	Connector - Motor (220/240 V.) (Included In Item 10).....	1
	00-333692	Foot - Adjustable.....	4
	00-477268	Fuse T100 (220/240 V.).....	1
	00-477269	Holder - Fuse.....	1

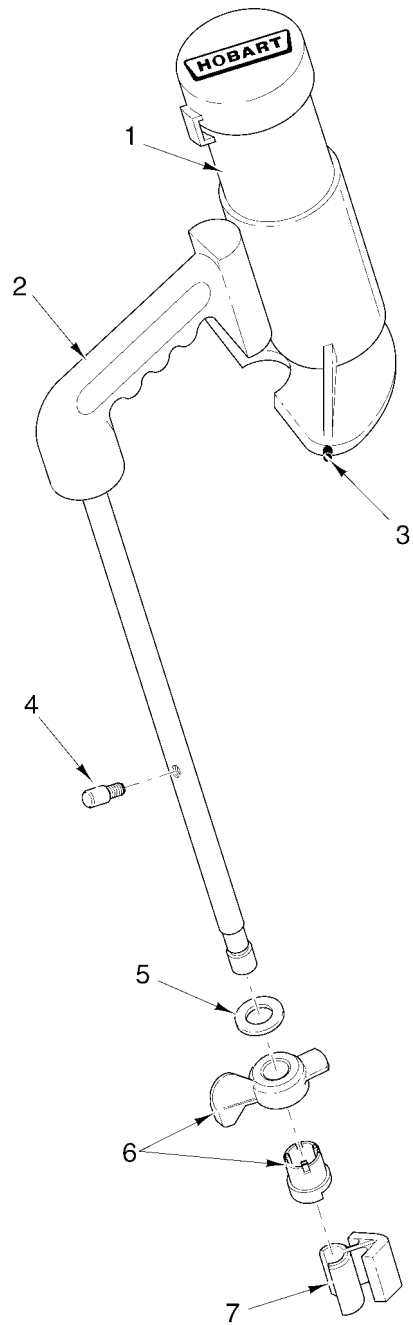


PL-57708

### ACCESSORIES

**ACCESSORIES**

ILLUS. PL-57708	PART NO.	NAME OF PART	AMT.
1	SC-120-82	Mach. Screw M5 x 0.8 x 6mm Slotted Flat Hd. (SST).....	6
2	00-439157	Knife - Standard Slicer.....	2
3	00-439298	Plate - Standard Slicer 3/8In. (Incls. Items 1 & 2).....	1
4	SC-120-82	Mach. Screw M5 x 0.8 x 6mm Slotted Flat Hd. (SST).....	3
5	00-439158	Knife - Fine Slicer.....	1
6	00-439170	Plate - Fine Slicer 5/32 In. (Incls. Items 4 & 5).....	1
7	00-439171	Plate - Fine Slicer 7/32 In. (Incls. Items 4 & 5).....	1
8	00-439172	Plate - Fine Slicer 3/8 In. (Incls. Items 4 & 5).....	1
9	00-439303	Plate - Fine Slicer 9/16 In. (Incls. Items 4 & 5).....	1
10	SC-120-82	Mach. Screw M5 x 0.8 x 6mm Slotted Flat Hd. (SST).....	6
11	00-439158	Knife - Fine Slicer.....	2
12	00-439164	Plate - Fine Slicer 1/16 In. (Incls. Items 10 & 11).....	1
13	00-439169	Plate - Fine Slicer 1/8 In. (Incls. Items 10 & 11).....	1
14	00-477313	Plate - Dicer 9/32 In.....	1
15	00-477312	Plate - Dicer 3/8 In.....	1
16	00-477311	Plate - Dicer 1/2 In.....	1
17	00-477310	Plate - Dicer 5/8 In.....	1
18	00-477309	Plate - Dicer 3/4 In.....	1
19	00-439175	Knife - Balk 3/32 In.....	2
20	SC-120-83	Mach. Screw M4 x 0.7 x 6mm Slotted Flat Hd. (SST).....	4
21	00-439174	Plate - Julienne 3/4 In. (Incls. Items 19, 20, 22, & 23).....	1
22	SC-120-82	Mach. Screw M5 x 0.8 x 6mm Slotted Flat Hd. (SST).....	6
23	00-439157	Knife - Standard Slicer.....	2
24	SC-121-13	Mach. Screw M4 x 0.7 x 8mm Slotted Flat Hd. (SST).....	6
25	00-439177	Knife - Balk 3/16 In.....	2
26	00-439179	Knife - Balk 7/32 In.....	2
27	00-439162	Knife - Balk 3/8 In.....	2
28	00-439176	Plate - Julienne 3/16 In. (Incls. Items 24, 25, 32, & 33).....	1
29	00-439178	Plate - Julienne 7/32 In. (Incls. Items 24, 26, 32, & 34).....	1
30	00-439180	Plate - Julienne 3/8 In. (Incls. Items 24, 27, 32, & 35).....	1
31	00-439173	Plate - Crimping 3/16 In. (Not Shown) (Incls. Items 32 & 36).....	1
32	SC-120-82	Mach. Screw M5 x 0.8 x 6mm Slotted Flat Hd. (SST).....	6
33	00-439160	Knife - Julienne 3/16 In.....	2
34	00-439161	Knife - Julienne 7/32 In.....	2
35	00-439163	Knife - Julienne 3/8 In.....	2
36	00-439159	Knife - Crimping Slicer 3/16 In. (Not Shown).....	2
37	00-439143	Insert - Fine Grater.....	1
38	00-439145	Insert - Shredder Plate 1/16 In.....	1
39	00-439146	Insert - Shredder Plate 3/32 In.....	1
40	00-439147	Insert - Shredder Plate 1/8 In.....	1
41	00-439148	Insert - Shredder Plate 3/16 In.....	1
42	00-439149	Insert - Shredder Plate 7/32 In.....	1
43	00-439150	Insert - Shredder Plate 5/16 In.....	1
44	SC-120-85	Mach. Screw M3 x 0.5 x 6mm Slotted Flat Hd. (SST).....	9
45	SC-120-85	Mach. Screw M3 x 0.5 x 6mm Slotted Flat Hd. (SST).....	3
46	00-439144	Plate - Fine Grater (Incls. Items 37, 44, & 45).....	1
47	00-439151	Plate - Shredder 1/16 In. (Incls. Items 38, 44, & 45).....	1
48	00-439152	Plate - Shredder 3/32 In. (Incls. Items 39, 44, & 45).....	1
49	00-439153	Plate - Shredder 1/8 In. (Incls. Items 40, 44, & 45).....	1
50	00-439154	Plate - Shredder 3/16 In. (Incls. Items 41, 44, & 45).....	1
51	00-439155	Plate - Shredder 7/32 In. (Incls. Items 42, 44, & 45).....	1
52	00-439156	Plate - Shredder 5/16 In. (Incls. Items 43, 44, & 45).....	1
	00-439297	Plate - French Fry 3/8 In. (Not Shown).....	1
	00-274372	Wall Rack (Incls. Label).....	1
	00-435091	Work Table.....	1



PL-57710

**PUSH FEED HANDLE UNIT**

**PUSH FEED HANDLE UNIT**

ILLUS.	PART NO.	NAME OF PART	AMT.
PL-57710			
1	00-439118	Plunger.....	1
2	00-439120	Handle - Push (Feed).....	1
3	00-439121	Rivit (Plastic).....	1
4	00-439123	Pin - Guide.....	1
5	00-274333	Seal - Rubber Washer 18 x 30mm.....	1
6	00-479616	Kit - Lock Handle.....	1
7	00-439128	Activator.....	1

