



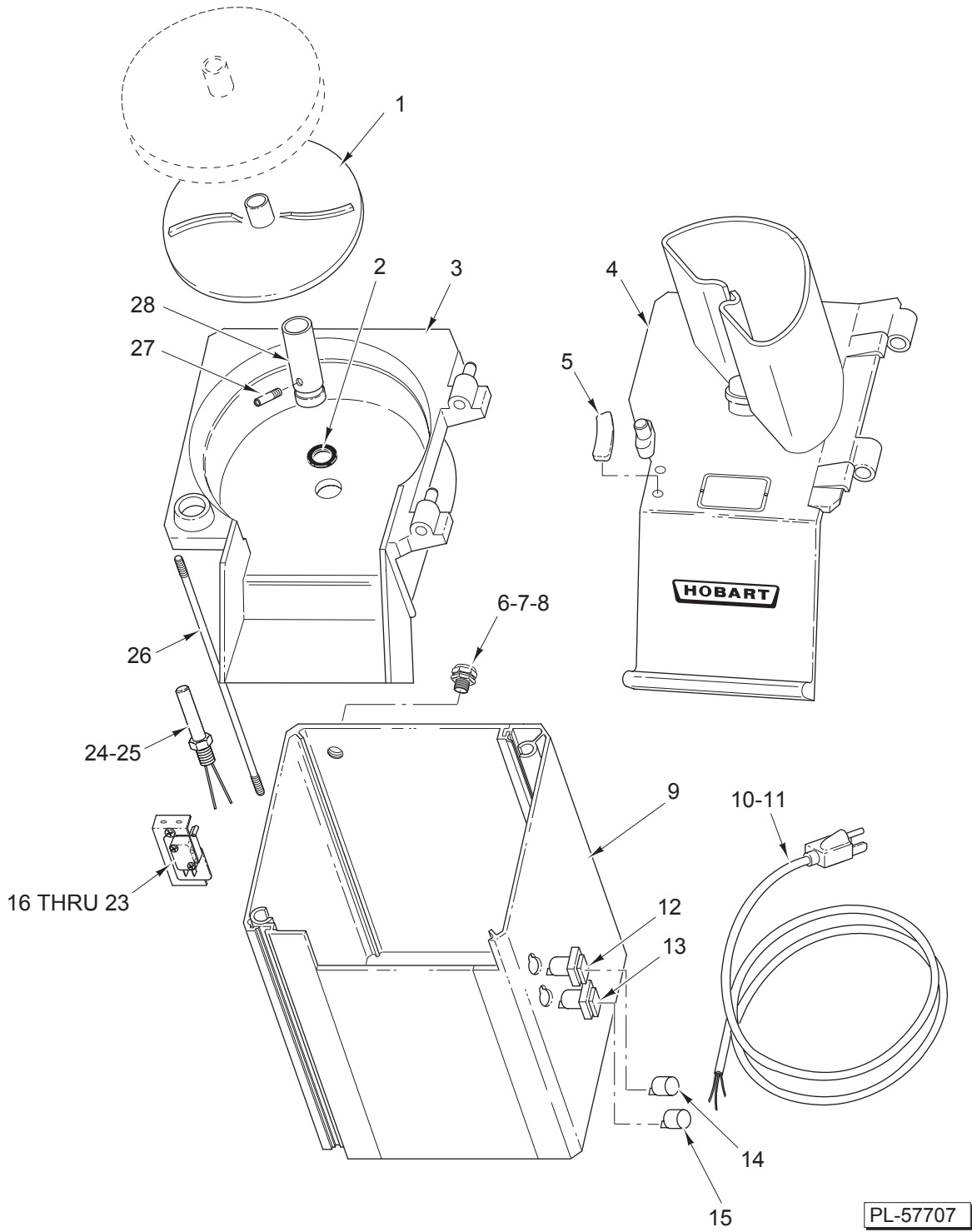
CATALOG OF REPLACEMENT PARTS

MODEL FP300 FOOD PROCESSOR

FP300
FP300C

ML-104495
ML-134181



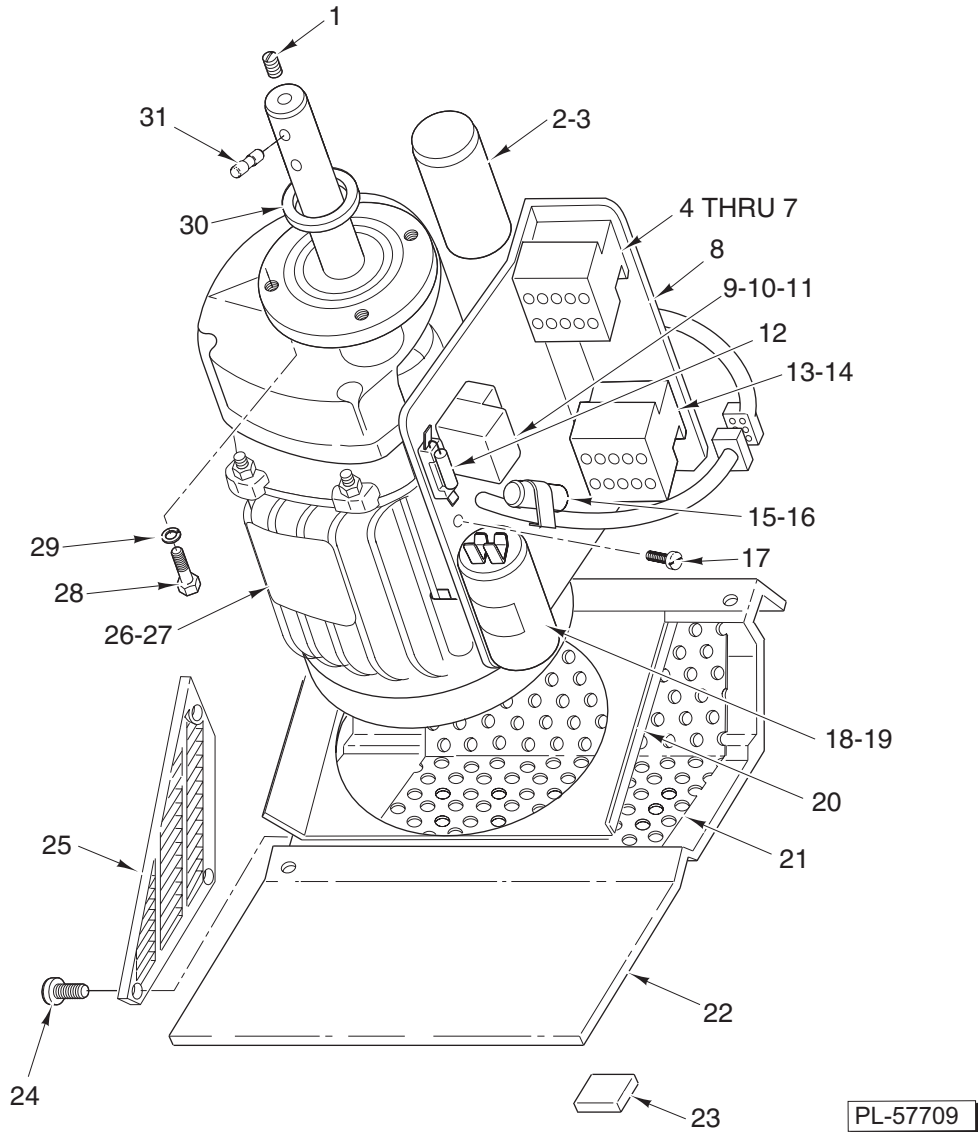


HOUSING UNIT

PL-57707

HOUSING UNIT

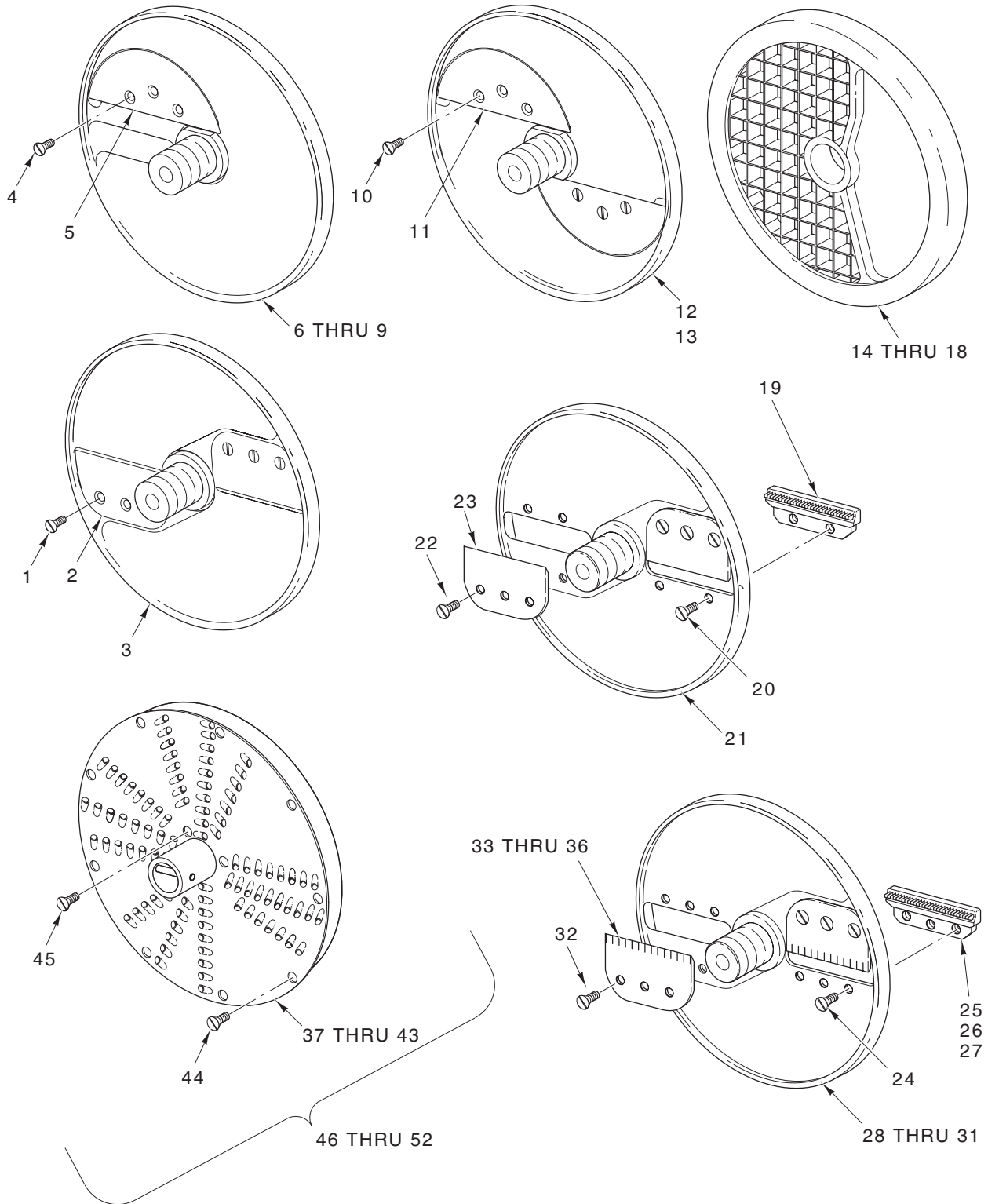
ILLUS. PL-57707	PART NO.	NAME OF PART	AMT.
1	00-439142	Ejector	1
2	00-439129	Seal – Washer	1
3	00-439130	Knife – Chamber	1
4	00-439287	Feed Head Assy. (Incls. Item 5)	1
5	00-439119	Plate – Friction	1
6	00-439168	Flange – Reducing	1
7	FE-024-37	Relief – Strain (Power Cord) (110/120 V.)	1
8	FE-025-35	Relief – Strain (Power Cord) (220/240 V.)	1
9	00-439141	Housing Assy.	1
10	00-274857	Cord & Plug (110/120 V.)	1
11	00-477265	Cord & Plug (220/240 V.)	1
12	00-477266	Button – Stop (220/240 V.)	1
13	00-477267	Button – Start (220/240 V.)	1
14	00-875522	Button – Stop (110/120 V.)	1
15	00-875523	Button – Start (110/120 V.)	1
16	00-439300	Plate – Micro Switch Mounting	4
17	00-439301	Bracket – Switch	1
18	00-439302	Plate – Insulating	1
19	SD-017-34	Self-Tapping Screw 6-20 x ⁵ / ₈ Truss Hd.	2
20	SC-122-37	Mach. Screw M4 x 0.7 x 10mm Pan Hd. SST	2
21	NS-200-03	Nut Hex M4 x 0.7 (SST)	2
22	SC-122-37	Mach. Screw M4 x 0.7 x 10mm Pan Hd. SST	2
23	WL-200-03	Lockwasher	2
24	00-439663	Switch – Reed (110/120 V.)	1
25	00-477264	Switch – Reed PR15 (220/240 V.)	1
26	00-439131	Kit – Pull Rod	1
27	00-274323	Pin	1
28	00-439125	Sleeve – Thrust	1



MOTOR AND BASE UNIT

MOTOR AND BASE UNIT

ILLUS.	PART NO.	NAME OF PART	AMT.
PL-57709			
1	SC-121-48	Set Screw M8 x 1.25 x 12mm Socket Hdls., Cup Pt. (SST)	1
2	00-439140	Capacitor – Run (80) (110/120 V.)	1
3	00-477277	Capacitor (80MF) (220/240 V.)	1
4	00-875529	Protector – Overload LRD16 10-13 (110/120 V.)	1
5	00-875526	Contactor (110/120 V.)	1
6	00-914116	Protector – Overload LRD16 10-13 (220/240 V.)	1
7	00-914114	Contactor (220/240 V.)	1
8	00-439139	Panel & Hardware Control	1
9	00-479591	Kit – Start Relay	1
10	00-087714-00061	Relay (110/120 V.)	1
11	00-477278	Relay – Start (230 V.)	1
12	00-439167	Resistor Assy. (Service Only)	2
13	00-914113	Contactor (110/120 V.)	1
14	00-087713-00100	Contactor (110/120 V.) (FP300C)	1
15	00-274344	Circuit – RC (110 V.)	1
16	00-274860	Circuit – RC (220 V.)	1
17	SC-200-20	Mach. Screw M5 x 0.8 x 6mm Slotted Cheese Hd.	1
18	00-439137	Capacitor – Start (110/120 V.)	1
19	00-477276	Capacitor (220/240 V.) (20MF)	1
20	00-439136	Plate – Fan	1
21	00-439296	Plate – Protector	1
22	00-439135	Base	1
23	00-274353	Foot – Rubber	4
24	SD-037-40	Self-Tapping Screw 3.5 x 9.5mm Slotted Oval Hd., Type AB (SST)	3
25	00-274351	Louver – Left & Right	1
26	00-439134	Motor – Gear (120 V.) (Incls. Fan, Shroud & Gear)	1
27	00-477273	Motor (220/240 V.)	1
28	SC-118-43	Cap Screw M6 x 1.0 x 20mm Hex Hd. (SST)	4
29	WL-006-17	Lockwasher 1/4 Helical (SST)	4
30	00-439133	Ring – Seal	1
31	00-439124	Pin – Carrier	1
	00-479592	Connector – Motor (220/240 V.) (Included In Item 10)	1
	00-333692	Foot – Adjustable	4
	00-477268	Fuse T100 (220/240 V.)	1
	00-477269	Holder – Fuse	1

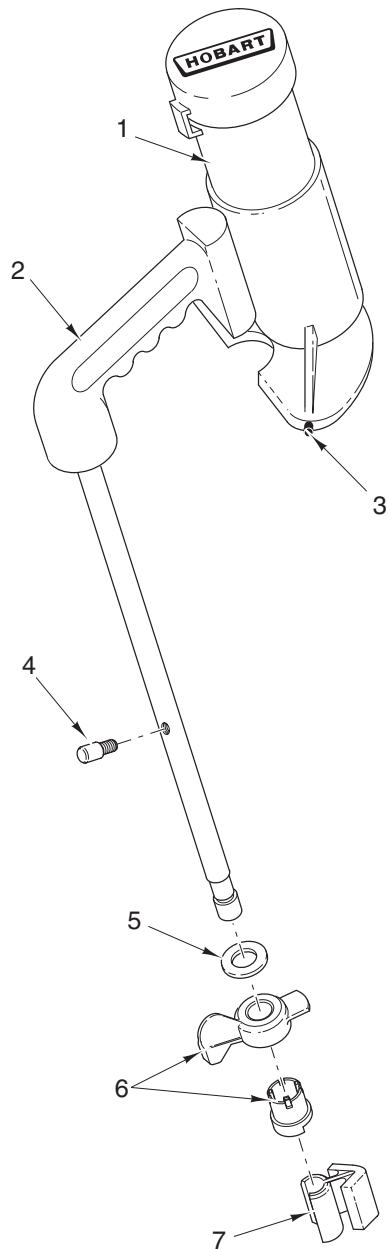


PL-57708

ACCESSORIES

ACCESSORIES

ILLUS. PL-57708	PART NO.	NAME OF PART	AMT.
1	SC-120-82	Mach. Screw M5 x 0.8 x 6mm Slotted Flat Hd. (SST)	6
2	00-439157	Knife – Standard Slicer	2
3	00-439298	Plate – Standard Slicer 3/8 In. (Incls. Items 1 & 2)	1
4	SC-120-82	Mach. Screw M5 x 0.8 x 6mm Slotted Flat Hd. (SST)	3
5	00-439158	Knife – Fine Slicer	1
6	00-439170	Plate – Fine Slicer 5/32 In. (Incls. Items 4 & 5)	1
7	00-439171	Plate – Fine Slicer 7/32 In. (Incls. Items 4 & 5)	1
8	00-439172	Plate – Fine Slicer 3/8 In. (Incls. Items 4 & 5)	1
9	00-439303	Plate – Fine Slicer 9/16 In. (Incls. Items 4 & 5)	1
10	SC-120-82	Mach. Screw M5 x 0.8 x 6mm Slotted Flat Hd. (SST)	6
11	00-439158	Knife – Fine Slicer	2
12	00-439164	Plate – Fine Slicer 1/16 In. (Incls. Items 10 & 11)	1
13	00-439169	Plate – Fine Slicer 1/8 In. (Incls. Items 10 & 11)	1
14	00-477313	Plate – Dicer 9/32 In.	1
15	00-477312	Plate – Dicer 3/8 In.	1
16	00-477311	Plate – Dicer 1/2 In.	1
17	00-477310	Plate – Dicer 5/8 In.	1
18	00-477309	Plate – Dicer 3/4 In.	1
19	00-439175	Knife – Balk 3/32 In.	2
20	SC-120-83	Mach. Screw M4 x 0.7 x 6mm Slotted Flat Hd. (SST)	4
21	00-439174	Plate – Julienne 3/4 In. (Incls. Items 19, 20, 22, & 23)	1
22	SC-120-82	Mach. Screw M5 x 0.8 x 6mm Slotted Flat Hd. (SST)	6
23	00-439157	Knife – Standard Slicer	2
24	SC-121-13	Mach. Screw M4 x 0.7 x 8mm Slotted Flat Hd. (SST)	6
25	00-439177	Knife – Balk 3/16 In.	2
26	00-439179	Knife – Balk 7/32 In.	2
27	00-439162	Knife – Balk 3/8 In.	2
28	00-439176	Plate – Julienne 3/16 In. (Incls. Items 24, 25, 32, & 33)	1
29	00-439178	Plate – Julienne 7/32 In. (Incls. Items 24, 26, 32, & 34)	1
30	00-439180	Plate – Julienne 3/8 In. (Incls. Items 24, 27, 32, & 35)	1
31	00-439173	Plate – Crimping 3/16 In. (Not Shown) (Incls. Items 32 & 36)	1
32	SC-120-82	Mach. Screw M5 x 0.8 x 6mm Slotted Flat Hd. (SST)	6
33	00-439160	Knife – Julienne 3/16 In.	2
34	00-439161	Knife – Julienne 7/32 In.	2
35	00-439163	Knife – Julienne 3/8 In.	2
36	00-439159	Knife – Crimping Slicer 3/16 In. (Not Shown)	2
37	00-439143	Insert – Fine Grater	1
38	00-439145	Insert – Shredder Plate 1/16 In.	1
39	00-439146	Insert – Shredder Plate 3/32 In.	1
40	00-439147	Insert – Shredder Plate 1/8 In.	1
41	00-439148	Insert – Shredder Plate 3/16 In.	1
42	00-439149	Insert – Shredder Plate 7/32 In.	1
43	00-439150	Insert – Shredder Plate 5/16 In.	1
44	SC-120-85	Mach. Screw M3 x 0.5 x 6mm Slotted Flat Hd. (SST)	9
45	SC-120-85	Mach. Screw M3 x 0.5 x 6mm Slotted Flat Hd. (SST)	3
46	00-439144	Plate – Fine Grater (Incls. Items 37, 44, & 45)	1
47	00-439151	Plate – Shredder 1/16 In. (Incls. Items 38, 44, & 45)	1
48	00-439152	Plate – Shredder 3/32 In. (Incls. Items 39, 44, & 45)	1
49	00-439153	Plate – Shredder 1/8 In. (Incls. Items 40, 44, & 45)	1
50	00-439154	Plate – Shredder 3/16 In. (Incls. Items 41, 44, & 45)	1
51	00-439155	Plate – Shredder 7/32 In. (Incls. Items 42, 44, & 45)	1
52	00-439156	Plate – Shredder 5/16 In. (Incls. Items 43, 44, & 45)	1
	00-439297	Plate – French Fry 3/8 In. (Not Shown)	1
	00-274372	Wall Rack (Incls. Label)	1
	00-435091	Work Table	1



PL-57710

PUSH FEED HANDLE UNIT

ILLUS.	PART NO.	NAME OF PART	AMT.
PL-57710			
1	00-439118	Plunger	1
2	00-439120	Handle - Push (Feed)	1
3	00-439121	Rivet (Plastic)	1
4	00-439123	Pin - Guide	1
5	00-274333	Seal - Rubber Washer 18 x 30mm	1
6	00-479616	Kit - Lock Handle	1
7	00-439128	Activator	1