

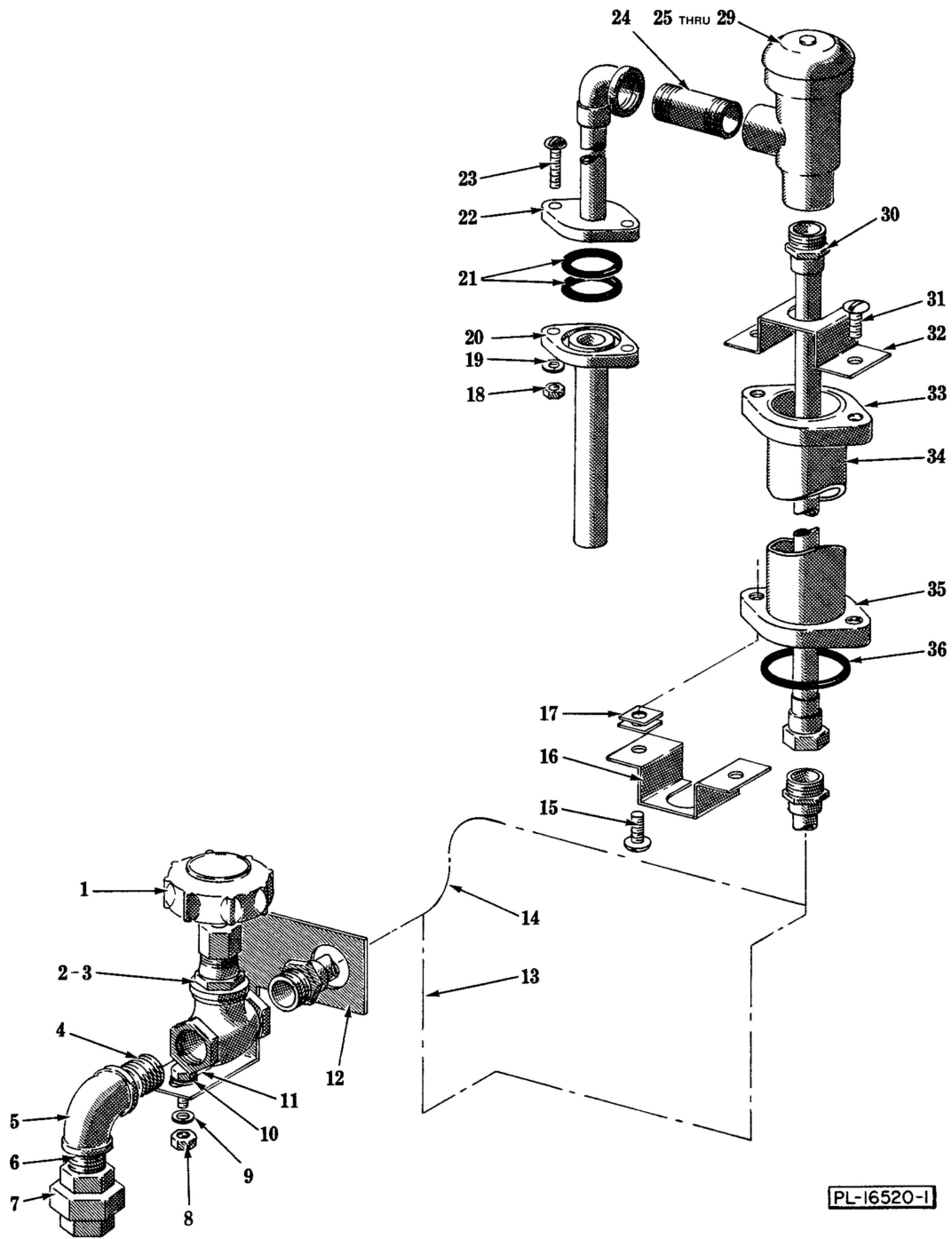


**CATALOG OF
REPLACEMENT PARTS**

**FT-600 & FT-700 SERIES
DISHWASHERS**

FILL

FILL REPLACEMENT PARTS



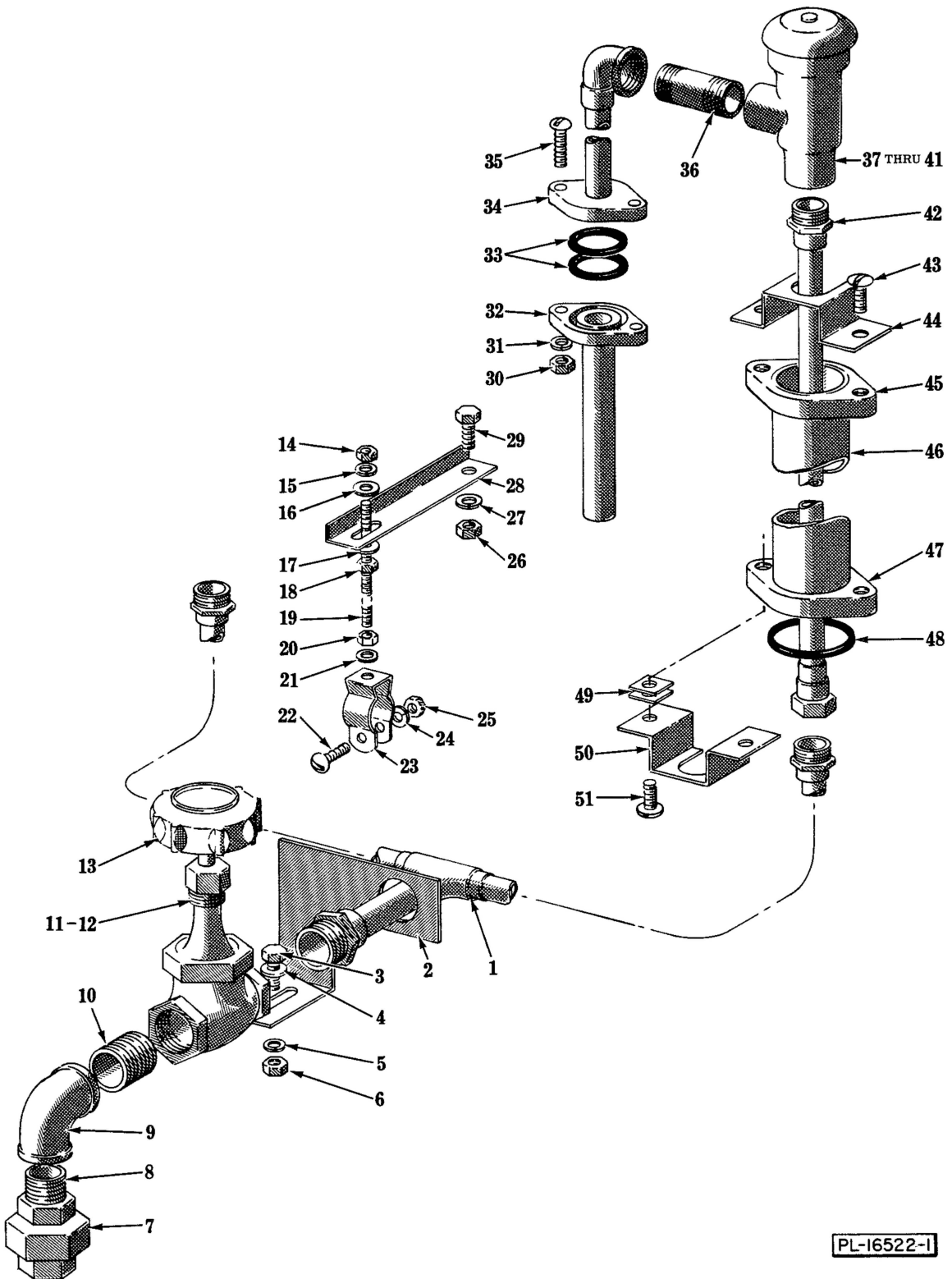
PL-16520-1

MANUAL FILL PIPING
(FT-600, R. to L. & L. to R. OPERATION)

**MANUAL FILL PIPING
(FT-600, R. to L. & L. to R. OPERATION)**

ILLUS. PL-16520-1	PART NO.	NAME OF PART	AMT.
1	P-70149-3	Handle - Valve	1
2	M-65545	Valve - 1/2" Globe (Incls. item #3)	1
3	FP-9-7	Disc - 1/2" Valve	1
4	FP-40-42	Nipple - 1/2" x 1-1/8" Lg. (T.B.E.)	1
5	FP-15-16	Elbow - 1/2" x 90°	1
6	FP-40-42	Nipple - 1/2" x 1-1/8" Lg. (T.B.E.)	1
7	FP-22-12	Union - 1/2" (Grd. Seat)	1
8	NS-15-11	Full Nut - 5/16"-18 Hex Fin	1
9	WL-6-22	Lock Washer - 5/16" Light	1
10	WS-17-21	Washer	1
11	SC-41-10	Fin. Bolt - 5/16"-18 x 5/8" Hex Hd	1
12	D-121714-1	Bracket - Fill Piping	1
13	D-276647-2	Piping Assy. (R. to L.)	1
14	D-123134-2	Piping Assy. (L. to R.) (Incls. item #12)	1
15	SC-53-17	Mach. Screw - 5/16"-18 x 3/4" Truss Hd	2
16	R-81713	Support - Tube	1
17	A-121204	Shim (.059" Thk.)	AR
18	NS-15-11	Full Nut - 5/16"-18 Hex Fin	2
19	WL-6-22	Lock Washer - 5/16" Light	2
20	A-156669	Inside Fill Piping Assy	1
21	D-67500-13	"O" Ring	2
22	D-123434-2	Piping Assy	1
23	SC-21-57	Mach. Screw - 5/16"-18 x 1-1/4" Rd. Hd	2
24	FP-40-59	Nipple - 1/2" x 2-3/4" Lg. (T.B.E.)	1
25	M-74337	Vacuum Breaker - 1/2" (Incls. items #26, 27, 28 & 29)	1
26	M-74339	Gasket - Vacuum Breaker	1
27	M-74340	"O" Ring - Vacuum Breaker	1
28	M-74341	Float - Vacuum Breaker	1
29	M-74342	Collar - Vacuum Breaker	1
30	D-123434-3	Piping Assy	1
31	SC-53-17	Mach. Screw - 5/16"-18 x 3/4" Truss Hd	2
32	R-81713	Support - Tube	1
33	B-123363	Flange - Upper (Threaded)	1
34	C-123365-1	Tube - Protective	1
35	B-123364	Flange - Lower	1
36	D-67500-18	"O" Ring	1
	M-74343	Vacuum Breaker Float & Seal Sub-Assy. (Incls. items #26, 27, 28 & 29)	1

FILL REPLACEMENT PARTS



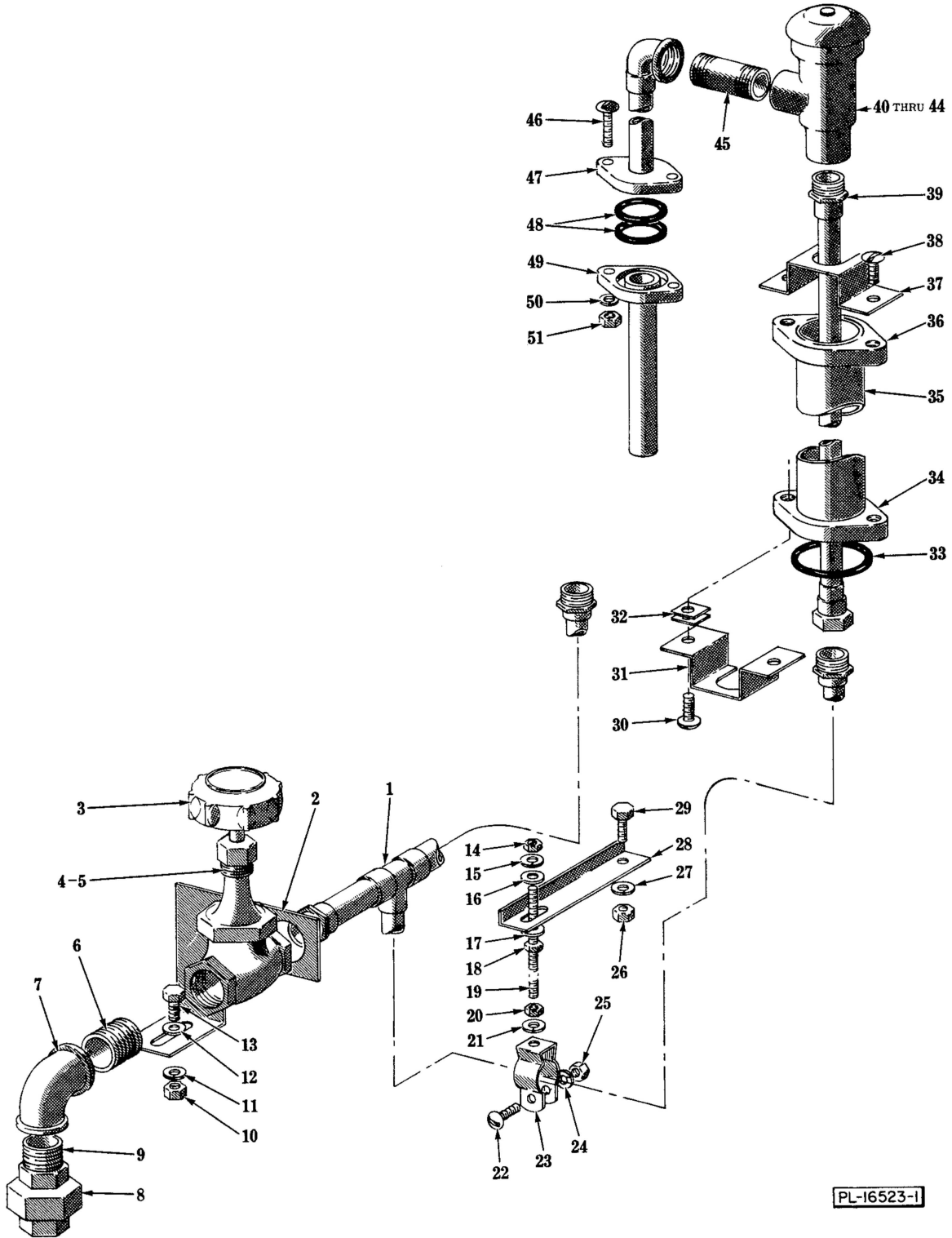
PL-16522-1

**MANUAL FILL PIPING
(FT-700, R. to L. OPERATION)**

MANUAL FILL PIPING
(FT-700, R. to L. OPERATION)

ILLUS. PL-16522-1	PART NO.	NAME OF PART	AMT.
1	E-123137-2	Fill Piping Assy. (Incls. item #2)	1
2	D-121714-1	Bracket - Fill Piping	1
3	SC-41-10	Fin. Bolt - 5/16"-18 x 5/8" Hex Hd	1
4	WS-17-21	Washer	1
5	WL-6-22	Lock Washer - 5/16" Light	1
6	NS-15-11	Full Nut - 5/16"-18 Hex Fin	1
7	FP-22-18	Union - 3/4" (Grd. Seat)	1
8	FP-41-50	Nipple - 3/4" x 1-3/8" Lg. (T.B.E.)	1
9	FP-15-23	Elbow - 3/4" x 90°	1
10	FP-41-50	Nipple - 3/4" x 1-3/8" Lg. (T.B.E.)	1
11	A-114683	Valve - 3/4" Globe (Incls. item #12)	1
12	FP-9-8	Disc - 3/4" Valve	1
13	P-70149-4	Handle - Fill Valve	1
14	NS-15-1	Full Nut - 1/4"-20 Hex Fin	1
15	WL-6-16	Lock Washer - 1/4" Light	1
16	WS-22-1	Washer	1
17	WS-22-1	Washer	1
18	NS-15-1	Full Nut - 1/4"-20 Hex Fin	1
19	P-78977	Stud - Threaded (1/4"-20)	1
20	NS-15-1	Full Nut - 1/4"-20 Hex Fin	2
21	WL-6-16	Lock Washer - 1/4" Light	1
22	SC-21-41	Mach. Screw - 1/4"-20 x 7/8" Rd. Hd	1
23	M-62271	Hanger (Size 0)	1
24	WL-6-16	Lock Washer - 1/4" Light	1
25	NS-15-1	Full Nut - 1/4"-20 Hex Fin	1
26	NS-15-11	Full Nut - 5/16"-18 Hex Fin	1
27	WL-6-22	Lock Washer - 5/16" Light	1
28	D-121744	Support - Piping	1
29	SC-41-12	Fin. Bolt - 5/16"-18 x 7/8" Hex Hd	1
30	NS-15-11	Full Nut - 5/16"-18 Hex Fin	4
31	WL-6-22	Lock Washer - 5/16" Light	4
32	A-156669	Inside Fill Piping Assy	2
33	D-67500-13	"O" Ring	4
34	D-123434-2	Piping Assy	2
35	SC-21-57	Mach. Screw - 5/16"-18 x 1-1/4" Rd. Hd	4
36	FP-40-59	Nipple - 1/2" x 2-3/4" Lg. (T.B.E.)	2
37	M-74337	Vacuum Breaker - 1/2" (Incls. items #38, 39, 40 & 41)	2
38	M-74339	Gasket - Vacuum Breaker	2
39	M-74340	"O" Ring - Vacuum Breaker	2
40	M-74341	Float - Vacuum Breaker	2
41	M-74342	Collar - Vacuum Breaker	2
42	C-123434-3	Piping Assy	2
43	SC-53-17	Mach. Screw - 5/16"-18 x 3/4" Truss Hd	4
44	R-81713	Support - Tube	2
45	B-123363	Flange - Upper (Threaded)	2
46	C-123365-1	Tube - Protective	2
47	B-123364	Flange - Lower	2
48	D-67500-18	"O" Ring	2
49	A-121204	Shim (.059" Thk.)	AR
50	R-81713	Support - Tube	2
51	SC-53-17	Mach. Screw - 5/16"-18 x 3/4" Truss Hd	4
	M-74343	Vacuum Breaker Float & Seal Sub-Assy. (Incls. items #38, 39, 40 & 41)	1

FILL REPLACEMENT PARTS



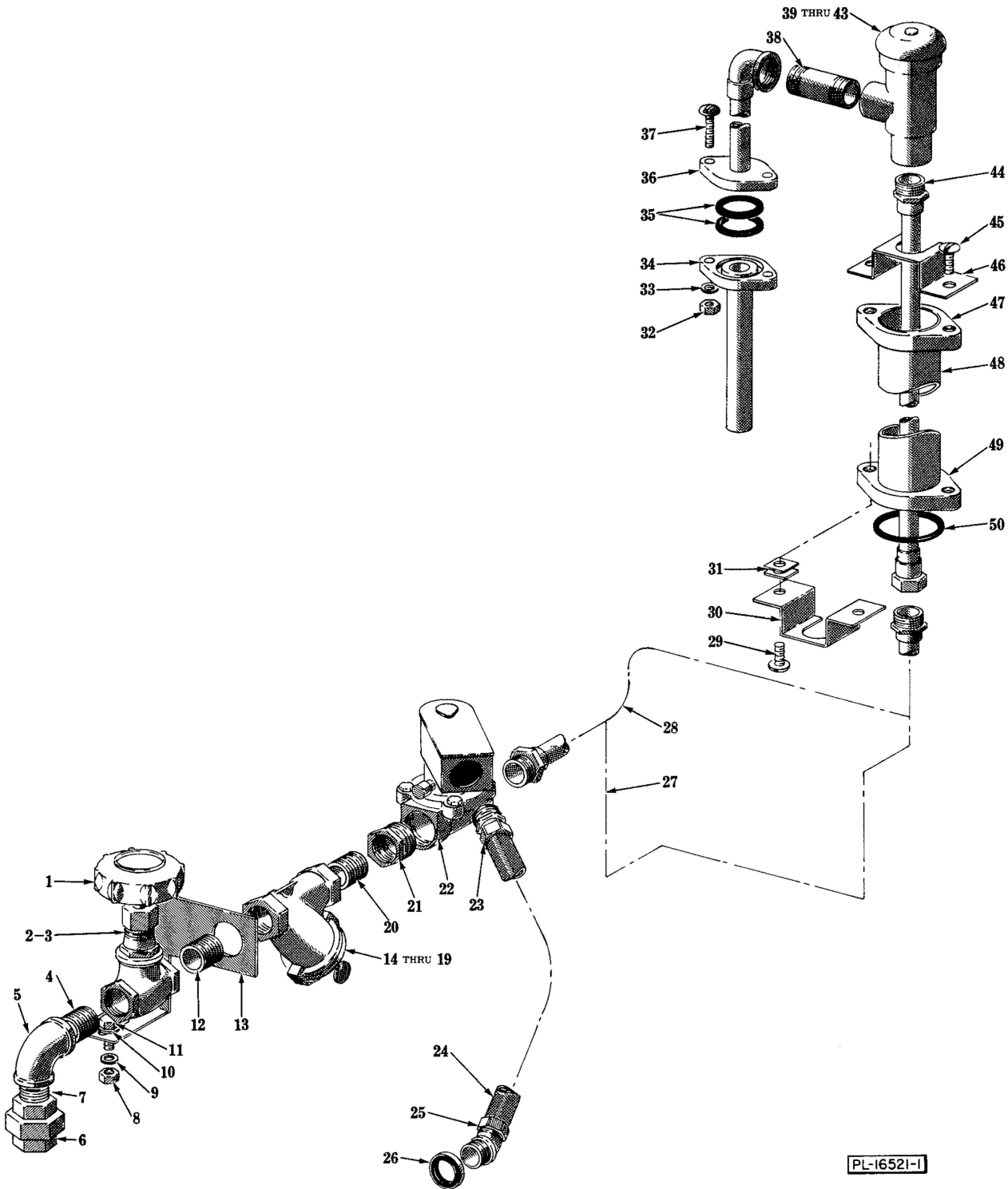
PL-16523-1

**MANUAL FILL PIPING
(FT-700, L. to R. OPERATION)**

MANUAL FILL PIPING
(FT-700, L. to R. OPERATION)

ILLUS. PL-16523-1	PART NO.	NAME OF PART	AMT.
1	E-123139-2	Fill Piping Assy. (Incls. item #2)	1
2	D-121714-1	Bracket - Fill Piping	1
3	P-70149-4	Handle - Fill Valve	1
4	A-114683	Valve - 3/4" Globe (Incls. item #5)	1
5	FP-9-8	Disc - 3/4" Valve	1
6	FP-41-50	Nipple - 3/4" x 1-3/8" Lg. (T.B.E.)	1
7	FP-15-23	Elbow - 3/4" x 90°	1
8	FP-22-18	Union - 3/4" (Grd. Seat)	1
9	FP-41-50	Nipple - 3/4" x 1-3/8" Lg. (T.B.E.)	1
10	NS-15-11	Full Nut - 5/16"-18 Hex Fin	1
11	WL-6-22	Lock Washer - 5/16" Light	1
12	WS-17-21	Washer	1
13	SC-41-10	Fin. Bolt - 5/16"-18 x 5/8" Hex Hd	1
14	NS-15-1	Full Nut - 1/4"-20 Hex Fin	2
15	WL-6-16	Lock Washer - 1/4" Light	2
16	WS-22-1	Washer	2
17	WS-22-1	Washer	2
18	NS-15-1	Full Nut - 1/4"-20 Hex Fin	2
19	P-78977	Stud - Threaded - 1/4"-20	2
20	NS-15-1	Full Nut - 1/4"-20 Hex Fin	4
21	WL-6-16	Lock Washer - 1/4" Light	2
22	SC-21-41	Mach. Screw - 1/4"-20 x 7/8" Rd. Hd	2
23	M-62271	Hanger (Size 0)	2
24	WL-6-16	Lock Washer - 1/4" Light	2
25	NS-15-1	Full Nut - 1/4"-20 Hex Fin	2
26	NS-15-11	Full Nut - 5/16"-18 Hex Fin	2
27	WL-6-22	Lock Washer - 5/16" Light	2
28	D-121744	Support - Piping	2
29	SC-41-12	Fin. Bolt - 5/16"-18 x 7/8" Hex Hd	2
30	SC-53-17	Mach. Screw - 5/16"-18 x 3/4" Truss Hd	4
31	R-81713	Support - Tube	2
32	A-121204	Shim (.059" Thk.)	AR
33	D-67500-18	"O" Ring	2
34	B-123364	Flange - Lower	2
35	C-123365-1	Tube - Protective	2
36	B-123363	Flange - Upper (Threaded)	2
37	R-81713	Support - Tube	2
38	SC-53-17	Mach. Screw - 5/16"-18 x 3/4" Truss Hd	4
39	D-123434-3	Piping Assy	2
40	M-74337	Vacuum Breaker - 1/2" (Incls. items #41, 42, 43 & 44)	2
41	M-74339	Gasket - Vacuum Breaker	2
42	M-74340	"O" Ring - Vacuum Breaker	2
43	M-74341	Float - Vacuum Breaker	2
44	M-74342	Collar - Vacuum Breaker	2
45	FP-40-59	Nipple - 1/2" x 2-3/4" Lg. (T.B.E.)	2
46	SC-21-57	Mach. Screw - 5/16"-18 x 1-1/4" Rd. Hd	4
47	D-123434-2	Piping Assy	2
48	D-67500-13	"O" Ring	4
49	A-156669	Inside Fill Piping Assy	2
50	WL-6-22	Lock Washer - 5/16" Light	4
51	NS-15-11	Full Nut - 5/16"-18 Hex Fin	4
	M-74343	Vacuum Breaker Float & Seal Sub-Assy. (Incls. items #41, 42, 43 & 44)	2

FILL REPLACEMENT PARTS

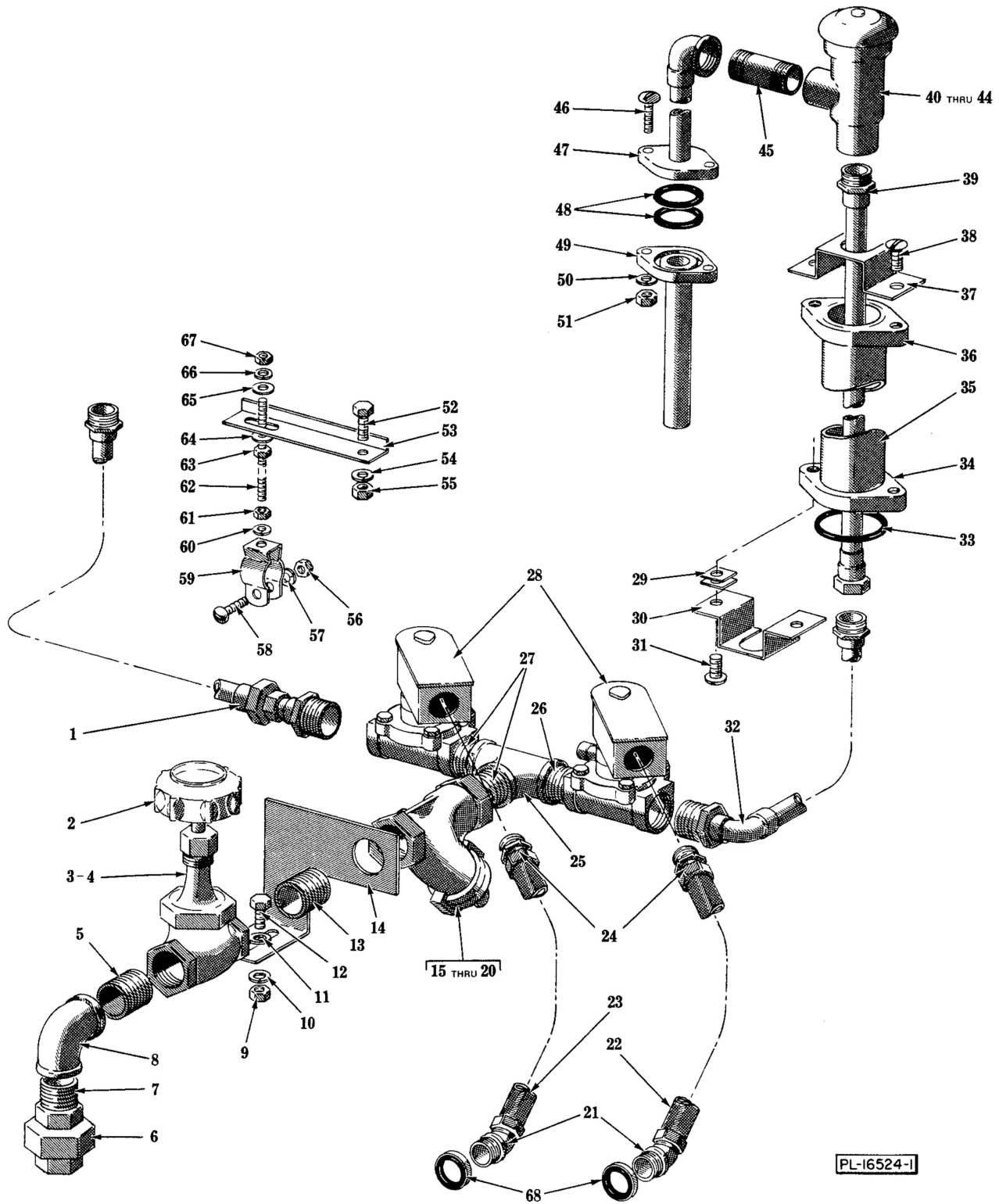


**AUTOMATIC FILL PIPING
(FT-600, R. to L. & L. to R. OPERATION)**

AUTOMATIC FILL PIPING
(FT-600, R. to L. & L. to R. OPERATION)

ILLUS. PL-16521-1	PART NO.	NAME OF PART	AMT.
1	P-70149-3	Handle - Fill Valve	1
2	M-65545	Valve - 1/2" Globe (Incls. item #3)	1
3	FP-9-7	Disc - 1/2" Valve	1
4	FP-40-42	Nipple - 1/2" x 1-1/8" Lg. (T.B.E.)	1
5	FP-15-16	Elbow - 1/2" x 90°	1
6	FP-22-12	Union - 1/2" (Grd. Seat)	1
7	FP-40-42	Nipple - 1/2" x 1-1/8" Lg. (T.B.E.)	1
8	NS-15-11	Full Nut - 5/16"-18 Hex Fin	1
9	WL-6-22	Lock Washer - 5/16" Light	1
10	WS-17-21	Washer	1
11	SC-41-10	Fin. Bolt - 5/16"-18 x 5/8" Hex Hd	1
12	FP-40-42	Nipple - 1/2" x 1-1/8" Lg. (T.B.E.)	1
13	D-121714-1	Bracket - Fill Piping	1
14	M-82227	Line Strainer (1/2") (Incls. items #15, 16, 17, 18 & 19)	1
15	M-82230	Screen (1/2" Line Strainer)	1
16	M-82233	Plate - Seal (1/2" Line Strainer)	1
17	M-82236	Clamp - (1/2" Line Strainer)	1
18	M-82238	Thumb Screw	1
19	D-67500-59	"O" Ring (1/2" Line Strainer)	1
20	FP-40-42	Nipple - 1/2" x 1-1/8" Lg. (T.B.E.)	1
21	FP-27-22	Bushing - 3/4" to 1/2" Hex Reducing	1
22	A-106468-5	Valve - 3/4" Solenoid (115 V., 50/60 Hz.)	1
23	FE-7-1	Connector - Straight "Sealtite" (1/2" Male Thd. x 3/8" Flex. Cnd.)	1
24	P-68190-37	Conduit - 3/8" x 16-3/4" (Waterproof)	1
25	FE-7-2	Connector - 45° "Sealtite" (1/2" Male Thd. x 3/8" Flex. Cnd.)	1
26	FE-8-10	1/2" Gasket Assy	1
27	D-276646-2	Fill Piping Assy. (R. to L.)	1
28	D-123133-2	Fill Piping Assy. (L. to R.)	1
29	SC-53-17	Mach. Screw - 5/16"-18 x 3/4" Truss Hd	2
30	R-81713	Support - Tube	1
31	A-121204	Shim (.059" Thk.)	AR
32	NS-15-11	Full Nut - 5/16"-18 Hex Fin	2
33	WL-6-22	Lock Washer - 5/16" Light	2
34	A-156669	Inside Fill Piping Assy	1
35	D-67500-13	"O" Ring	2
36	D-123434-2	Piping Assy	1
37	SC-21-57	Mach. Screw - 5/16"-18 x 1-1/4" Rd. Hd	2
38	FP-40-59	Nipple - 1/2" x 2-3/4" Lg. (T.B.E.)	1
39	M-74337	Vacuum Breaker - 1/2" (Incls. items #40, 41, 42 & 43)	1
40	M-74339	Gasket - Vacuum Breaker	1
41	M-74340	"O" Ring - Vacuum Breaker	1
42	M-74341	Float - Vacuum Breaker	1
43	M-74342	Collar - Vacuum Breaker	1
44	D-123434-3	Piping Assy	1
45	SC-53-17	Mach. Screw - 5/16"-18 x 3/4" Truss Hd	2
46	R-81713	Support - Tube	1
47	B-123363	Flange - Upper (Threaded)	1
48	C-12365-1	Tube - Protective	1
49	B-123364	Flange - Lower	1
50	D-67500-18	"O" Ring	1
	M-74343	Vacuum Breaker Float & Seal Sub-Assy. (Incls. items #40, 41, 42 & 43)	1

FILL REPLACEMENT PARTS

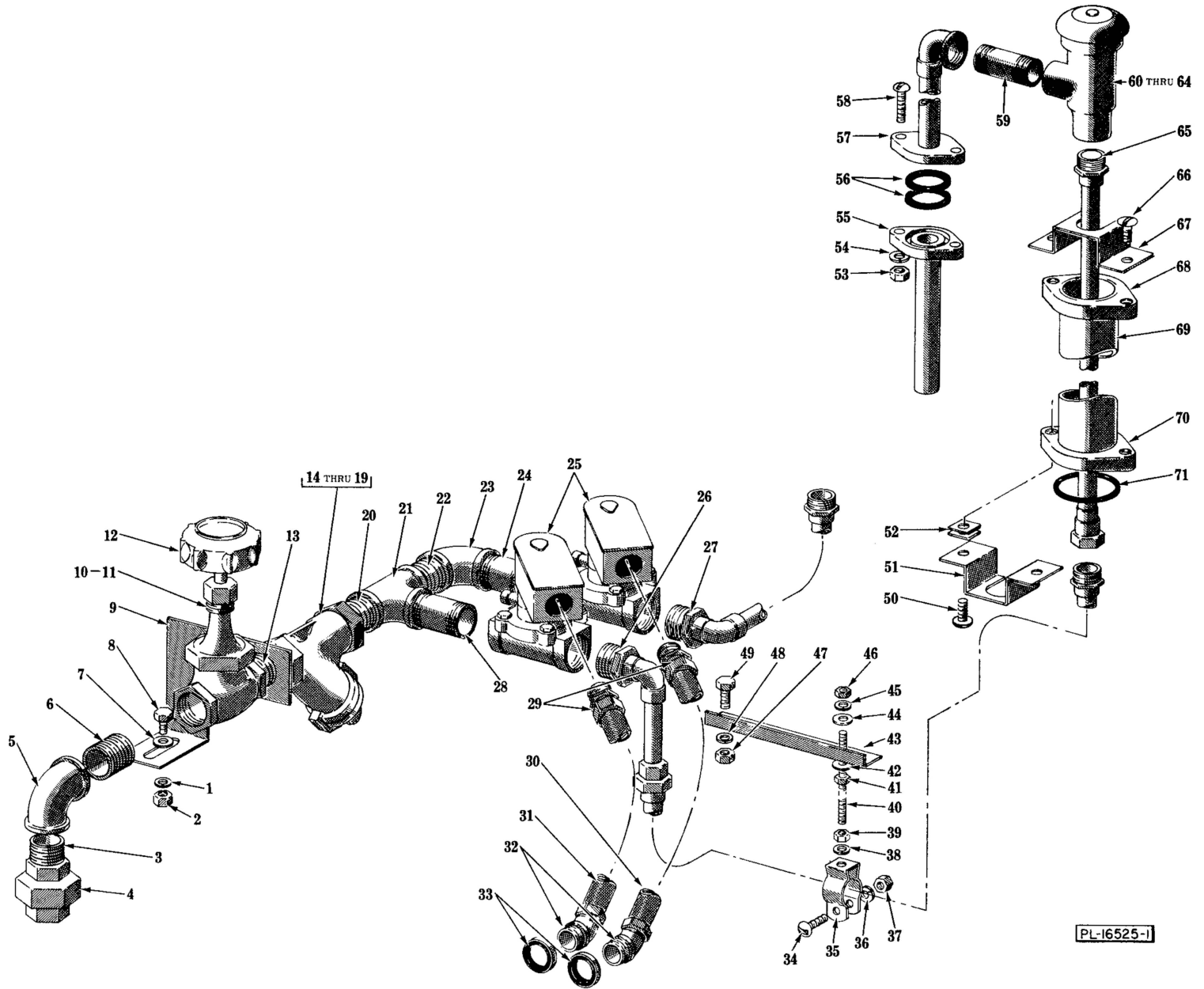


**AUTOMATIC FILL PIPING
(FT-700, R. to L. OPERATION)**

AUTOMATIC FILL PIPING
(FT-700, R. to L. OPERATION)

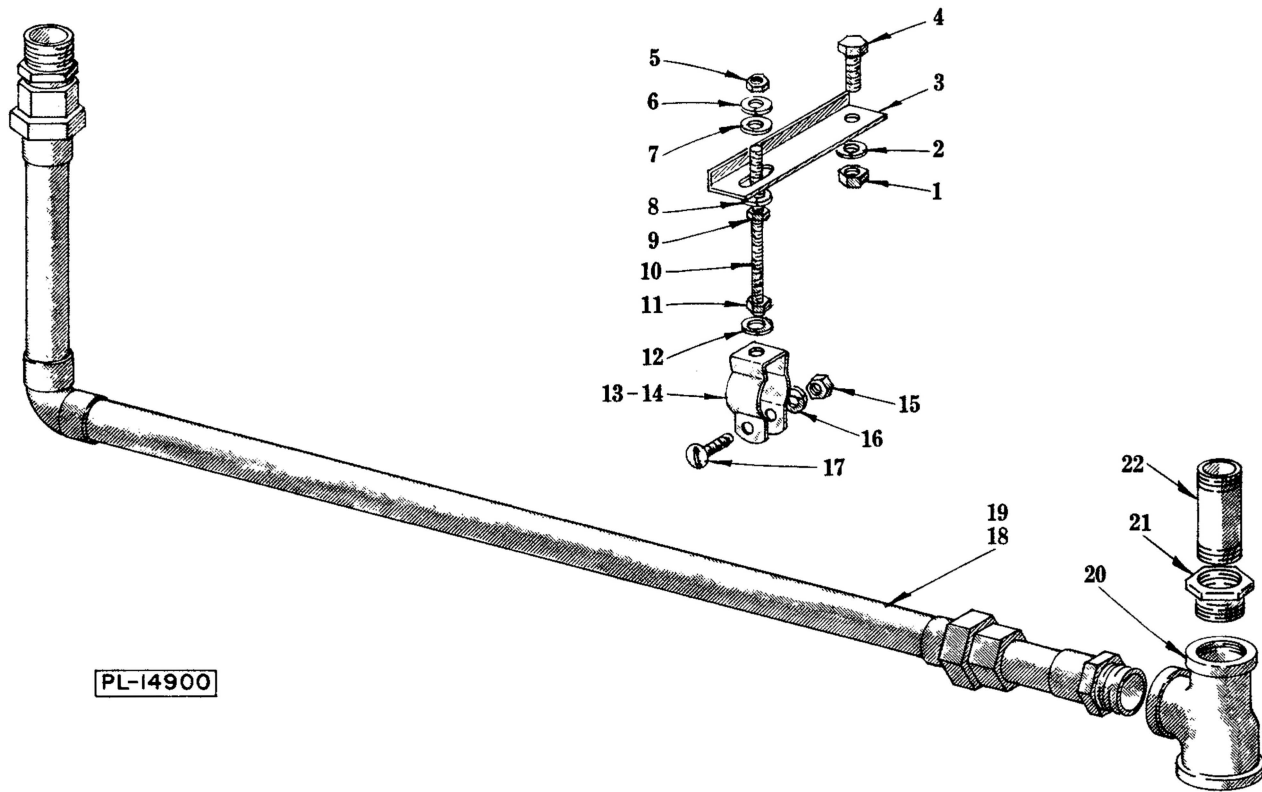
ILLUS. PL-16524-1	PART NO.	NAME OF PART	AMT.
1	E-123136-2	Fill Piping Assy. (L.H. Tank)	1
2	P-70149-4	Handle - Fill Valve	1
3	A-114683	Valve - 3/4" Globe (Incls. item #4)	1
4	FP-9-8	Disc - 3/4" Valve	1
5	FP-41-50	Nipple - 3/4" x 1-3/8" Lg. (T.B.E.)	1
6	FP-22-18	Union - 3/4" Grd. Seat	1
7	FP-41-50	Nipple - 3/4" x 1-3/8" Lg. (T.B.E.)	1
8	FP-15-23	Elbow - 3/4" x 90°	1
9	NS-15-11	Full Nut - 5/16"-18 Hex Fin	1
10	WL-6-22	Lock Washer - 5/16" Light	1
11	WS-17-21	Washer	1
12	SC-41-10	Fin. Bolt - 5/16"-18 x 5/8" Hex Hd	1
13	FP-41-50	Nipple - 3/4" x 1-3/8" Lg. (T.B.E.)	1
14	D-121714-1	Bracket - Fill Piping	1
15	M-82228	Line Strainer - 3/4" (Incls. items #16 thru 20)	1
16	M-82231	Screen (3/4" Line Strainer)	1
17	M-82234	Plate - Seal (3/4" Line Strainer)	1
18	M-82236	Clamp (3/4" Line Strainer)	1
19	M-82238	Thumb Screw	1
20	D-67500-59	"O" Ring (3/4" Line Strainer)	1
21	FE-7-2	Connector - 45° "Sealtite" (1/2" Male Thd. x 3/8" Flex. Cnd.)	2
22	P-68190-28	Conduit - 3/8" x 18" (Waterproof)	1
23	P-68190-63	Conduit - 3/8" x 21" (Waterproof)	1
24	FE-7-1	Connector - Straight "Sealtite" (1/2" Male Thd. x 3/8" Flex. Cnd.)	2
25	FP-19-28	Tee - 3/4"	1
26	FP-41-60	Nipple - 3/4" x 2-5/8" Lg. (T.B.E.)	1
27	FP-41-50	Nipple - 3/4" x 1-3/8" Lg. (T.B.E.)	2
28	A-106468-5	Valve - 3/4" Solenoid (115 V., 50/60 Hz.)	2
29	A-121204	Shim (.059" Thk.)	AR
30	R-81713	Support - Tube	2
31	SC-53-17	Mach. Screw - 5/16"-18 x 3/4" Truss Hd	4
32	E-123136-3	Fill Piping Assy. (R.H. Tank)	1
33	D-67500-18	"O" Ring	2
34	B-123364	Flange - Lower	2
35	C-123365-1	Tube - Protective	2
36	B-123363	Flange - Upper (Threaded)	2
37	R-81713	Support - Tube	2
38	SC-53-17	Mach. Screw - 5/16"-18 x 3/4" Truss Hd	4
39	D-123434-3	Piping Assy	2
40	M-74337	Vacuum Breaker - 1/2" (Incls. items #41, 42, 43 & 44)	2
41	M-74339	Gasket - Vacuum Breaker	2
42	M-74340	"O" Ring - Vacuum Breaker	2
43	M-74341	Float - Vacuum Breaker	2
44	M-74342	Collar - Vacuum Breaker	2
45	FP-40-59	Nipple - 1/2" x 2-3/4" Lg. (T.B.E.)	2
46	SC-21-57	Mach. Screw - 5/16"-18 x 1-1/4" Rd. Hd	4
47	D-123434-2	Piping Assy	2
48	D-67500-13	"O" Ring	4
49	D-156669	Inside Fill Piping	2
50	WL-6-22	Lock Washer - 5/16" Light	4
51	NS-15-11	Full Nut - 5/16"-18 Hex Fin	4
52	SC-41-12	Fin. Bolt - 5/16"-18 x 7/8" Hex Hd	1
53	D-121744	Support - Piping	1
54	WL-6-22	Lock Washer - 5/16" Light	1
55	NS-15-11	Full Nut - 5/16"-18 Hex Fin	1
56	NS-15-1	Full Nut - 1/4"-20 Hex Fin	1
57	WL-6-16	Lock Washer - 1/4" Light	1
58	SC-21-41	Mach. Screw - 1/4"-20 x 7/8" Rd. Hd	1
59	M-62271	Hanger (Size 0)	1
60	WL-6-16	Lock Washer - 1/4" Light	1
61	NS-15-1	Full Nut - 1/4"-20 Hex Fin	2
62	P-78977	Stud - Threaded (1/4"-20)	1
63	NS-15-1	Full Nut - 1/4"-20 Hex Fin	1
64	WS-22-1	Washer	1
65	WS-22-1	Washer	1
66	WL-6-16	Lock Washer - 1/4" Light	1
67	NS-15-1	Full Nut - 1/4"-20 Hex Fin	1
68	FE-8-10	1/2" Gasket Assy	2
	M-74343	Vacuum Breaker Float & Seal Sub-Assy. (Incls. items #41, 42, 43 & 44)	1

AUTOMATIC FILL PIPING
(FT-700, L. to R. OPERATION)



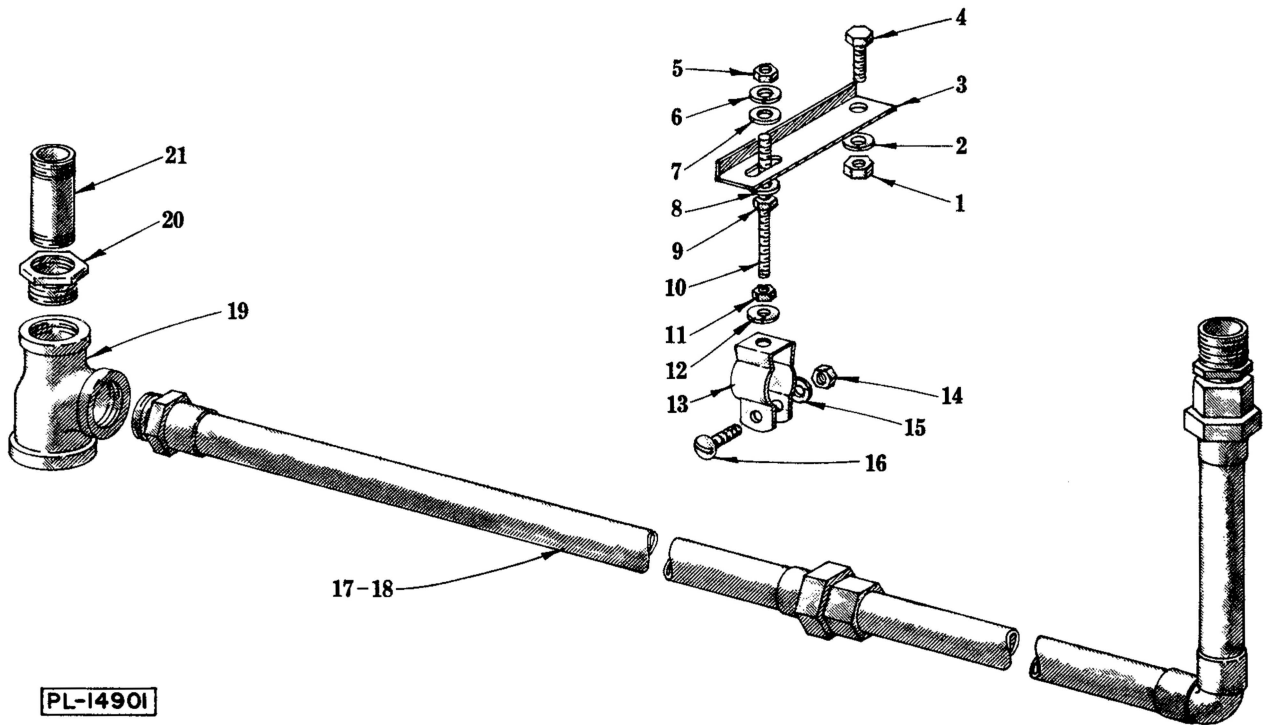
ILLUS. PL-16525-1	PART NO.	AUTOMATIC FILL PIPING (FT-700, L. to R. OPERATION) NAME OF PART	AMT.
1	WL-6-22	Lock Washer - 5/16" Light	1
2	NS-15-11	Full Nut - 5/16"-18 Hex Fin	1
3	FP-22-18	Union - 3/4" Grd. Seat	1
4	FP-41-50	Nipple - 3/4" x 1-3/8" Lg. (T.B.E.)	1
5	FP-15-23	Elbow - 3/4" x 90°	1
6	FP-41-50	Nipple - 3/4" x 1-3/8" Lg. (T.B.E.)	1
7	WS-17-21	Washer	1
8	SC-41-10	Fin. Bolt - 5/16"-18 x 5/8" Hex Hd	1
9	D-121714-1	Bracket - Fill Piping	1
10	A-114683	Valve - 3/4" Globe (Incls. item #11)	1
11	FP-9-8	Disc - 3/4" Valve	1
12	P-70149-4	Handle - Fill Valve	1
13	FP-41-50	Nipple - 3/4" x 1-3/8" Lg. (T.B.E.)	1
14	M-82228	Line Strainer - 3/4" (Incls. items #15, 16, 17, 18 & 19)	1
15	M-82231	Screen (3/4" Line Strainer)	1
16	M-82234	Plate - Seal (3/4" Line Strainer)	1
17	M-82236	Clamp (3/4" Line Strainer)	1
18	M-82238	Thumb Screw	1
19	D-67500-59	"O" Ring (3/4" Line Strainer)	1
20	FP-41-50	Nipple - 3/4" x 1-3/8" Lg. (T.B.E.)	1
21	FP-19-28	Tee - 3/4"	1
22	FP-41-50	Nipple - 3/4" x 1-3/8" Lg. (T.B.E.)	1
23	FP-15-23	Elbow - 3/4" x 90°	1
24	FP-41-60	Nipple - 3/4" x 2-5/8" Lg. (T.B.E.)	1
25	A-106468-5	Valve - 3/4" Solenoid (115 V., 50/60 Hz.)	2
26	E-123138-3	Fill Piping Assy. (R.H. Tank)	1
27	E-123138-2	Fill Piping Assy. (L.H. Tank)	1
28	FP-41-60	Nipple - 3/4" x 2-5/8" Lg. (T.B.E.)	1
29	FE-7-1	Connector - Straight "Sealtite" (1/2" Male Thd. x 3/8" Flex. Cnd.)	2
30	P-68190-8	Conduit - 3/8" x 20" (Waterproof)	1
31	P-68190-28	Conduit - 3/8" x 18" (Waterproof)	1
32	FE-7-2	Connector - 45° "Sealtite" (1/2" Male Thd. x 3/8" Flex. Cnd.)	2
33	FE-8-10	1/2" Gasket Assy	2
34	SC-21-41	Mach. Screw - 1/4"-20 x 7/8" Rd. Hd	1
35	M-62271	Hanger (Size 0)	1
36	WL-6-16	Lock Washer - 1/4" Light	1
37	NS-15-1	Full Nut - 1/4"-20 Hex Fin	1
38	WL-6-16	Lock Washer - 1/4" Light	1
39	NS-15-1	Full Nut - 1/4"-20 Hex Fin	2
40	P-78977	Stud - Threaded (1/4"-20)	1
41	NS-15-1	Full Nut - 1/4"-20 Hex Fin	1
42	WS-22-1	Washer	1
43	D-121744	Support - Piping	1
44	WS-22-1	Washer	1
45	WL-6-16	Lock Washer - 1/4" Light	1
46	NS-15-1	Full Nut - 1/4"-20 Hex Fin	1
47	NS-15-11	Full Nut - 5/16"-18 Hex Fin	1
48	WL-6-22	Lock Washer - 5/16" Light	1
49	SC-41-12	Fin. Bolt - 5/16"-18 x 7/8" Hex Hd	1
50	SC-53-17	Mach. Screw - 5/16"-18 x 3/4" Truss Hd	4
51	R-81713	Support - Tube	2
52	A-121204	Shim (.059" Thk.)	AR
53	NS-15-11	Full Nut - 5/16"-18 Hex Fin	4
54	WL-6-22	Lock Washer - 5/16" Light	4
55	A-156669	Inside Fill Piping Assy	2
56	D-67500-13	"O" Ring	4
57	D-123434-2	Piping Assy	2
58	SC-21-57	Mach. Screw - 5/16"-18 x 1-1/4" Rd. Hd	4
59	FP-40-59	Nipple - 1/2" x 2-3/4" Lg. (T.B.E.)	2
60	M-74337	Vacuum Breaker - 1/2" (Incls. items #61, 62, 63 & 64)	2
61	M-74339	Gasket - Vacuum Breaker	2
62	M-74340	"O" Ring - Vacuum Breaker	2
63	M-74341	Float - Vacuum Breaker	2
64	M-74342	Collar - Vacuum Breaker	2
65	D-123434-3	Piping Assy	2
66	SC-53-17	Mach. Screw - 5/16"-18 x 3/4" Truss Hd	4
67	R-81713	Support - Tube	2
68	B-123363	Flange - Upper (Threaded)	2
69	C-123365-1	Tube - Protective	2
70	B-123364	Flange - Lower	2
71	R-67500-18	"O" Ring	2
	M-74343	Vacuum Breaker Float & Seal Sub-Assy. (Incls. items #61, 62, 63 & 64)	1

FILL REPLACEMENT PARTS



**COMMON FILL CONNECTION WITH STEAM BOOSTER
(FT-600, R. to L. OPERATION)**

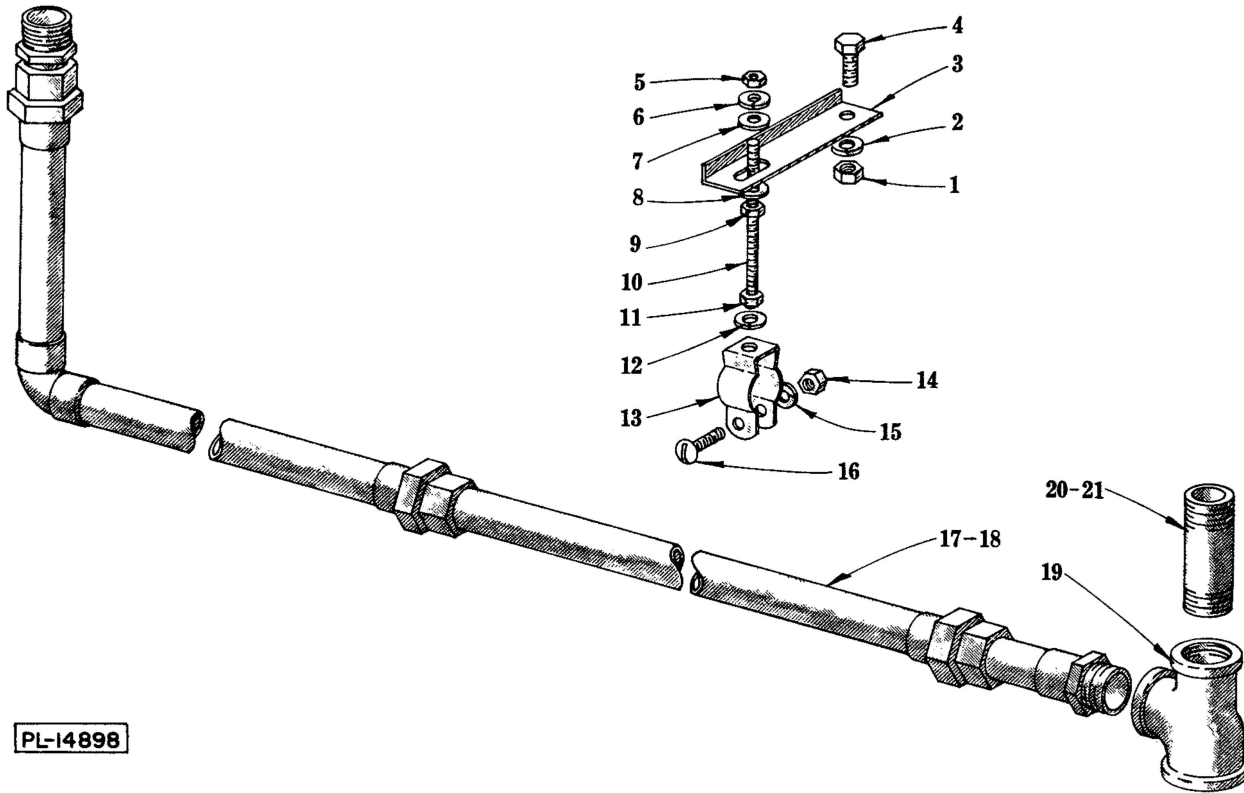
ILLUS. PL-14900	PART NO.	NAME OF PART	AMT.
	1	NS-15-11 Full Nut - 5/16"-18 Hex Fin	1
	2	WL-6-22 Lock Washer - 5/16" Light	1
	3	C-121744 Support - Piping	1
	4	SC-41-12 Fin. Bolt - 5/16"-18 x 7/8" Hex Hd	1
	5	NS-15-1 Full Nut - 1/4"-20 Hex Fin	1
	6	WL-6-16 Lock Washer - 1/4" Light	1
	7	WS-22-1 Washer	1
	8	WS-22-1 Washer	1
	9	NS-15-1 Full Nut - 1/4"-20 Hex Fin	1
	10	P-78977 Stud - Threaded	1
	11	NS-15-1 Full Nut - 1/4"-20 Hex Fin	2
	12	WL-6-16 Lock Washer - 1/4" Light	1
	13	M-69645 Hanger (Size 2) (60" thru 132" Disch.)	1
	14	M-62271 Hanger (Size 0) (44" Disch.)	1
	15	NS-15-1 Full Nut - 1/4"-20 Hex Fin	1
	16	WL-6-16 Lock Washer - 1/4" Light	1
	17	SC-21-41 Mach. Screw - 1/4"-20 x 7/8" Rd. Hd	1
	18	D-123020-1 Common Fill Connection Assy. (60" thru 132" Disch.) (Incls. items #20, 21 & 22)	1
	19	D-276558-1 Common Fill Connection Assy. (44" Disch.) (Incls. items #20, 21 & 22)	1
	20	FP-75-80 Tee - 1-1/4" x 3/4" x 3/4" Reducing	1
	21	FP-27-22 Bushing - 3/4" to 1/2" Hex Reducing	1
	22	FP-40-50 Nipple - 1/2" x 2" Lg. (T.B.E.)	1



**COMMON FILL CONNECTION WITH STEAM BOOSTER
(FT-600, L. to R. OPERATION)**

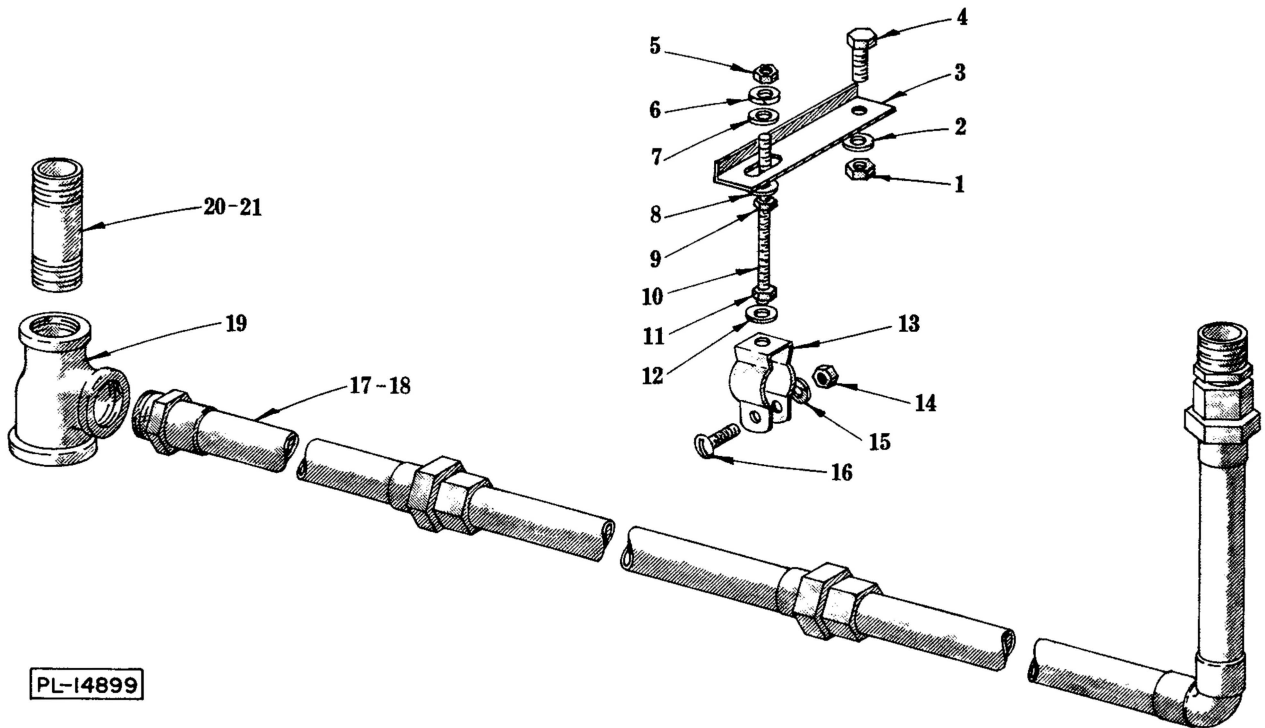
ILLUS. PL-14901	PART NO.	NAME OF PART	AMT.
1	NS-15-11	Full Nut - 5/16"-18 Hex Fin	2
2	WL-6-22	Lock Washer - 5/16" Light	2
3	C-121744	Support - Piping	2
4	SC-41-12	Fin. Bolt - 5/16"-18 x 7/8" Hex Hd	2
5	NS-15-1	Full Nut - 1/4"-20 Hex Fin	2
6	WL-6-16	Lock Washer - 1/4" Light	2
7	WS-22-1	Washer	2
8	WS-22-1	Washer	2
9	NS-15-1	Full Nut - 1/4"-20 Hex Fin	2
10	P-78977	Stud - Threaded	2
11	NS-15-1	Full Nut - 1/4"-20 Hex Fin	4
12	WL-6-16	Lock Washer - 1/4" Light	2
13	M-62271	Hanger (Size 0)	2
14	NS-15-1	Full Nut - 1/4"-20 Hex Fin	2
15	WL-6-16	Lock Washer - 1/4" Light	2
16	SC-21-41	Mach. Screw - 1/4"-20 x 7/8" Rd. Hd	2
17	D-120240-1	Common Fill Connection Assy. (60" thru 132" Disch.) (Incls. items #19, 20 & 21)	1
18	D-276556-1	Common Fill Connection Assy. (44" Disch.) (Incls. items #19, 20 & 21)	1
19	FP-75-80	Tee - 1-1/4" x 3/4" x 3/4" Reducing	1
20	FP-27-22	Bushing - 3/4" to 1/2" Hex Reducing	1
21	FP-40-50	Nipple - 1/2" x 2" Lg. (T.B.E.)	1

FILL REPLACEMENT PARTS



**COMMON FILL CONNECTION WITH STEAM BOOSTER
(FT-700, R. to L. OPERATION)**

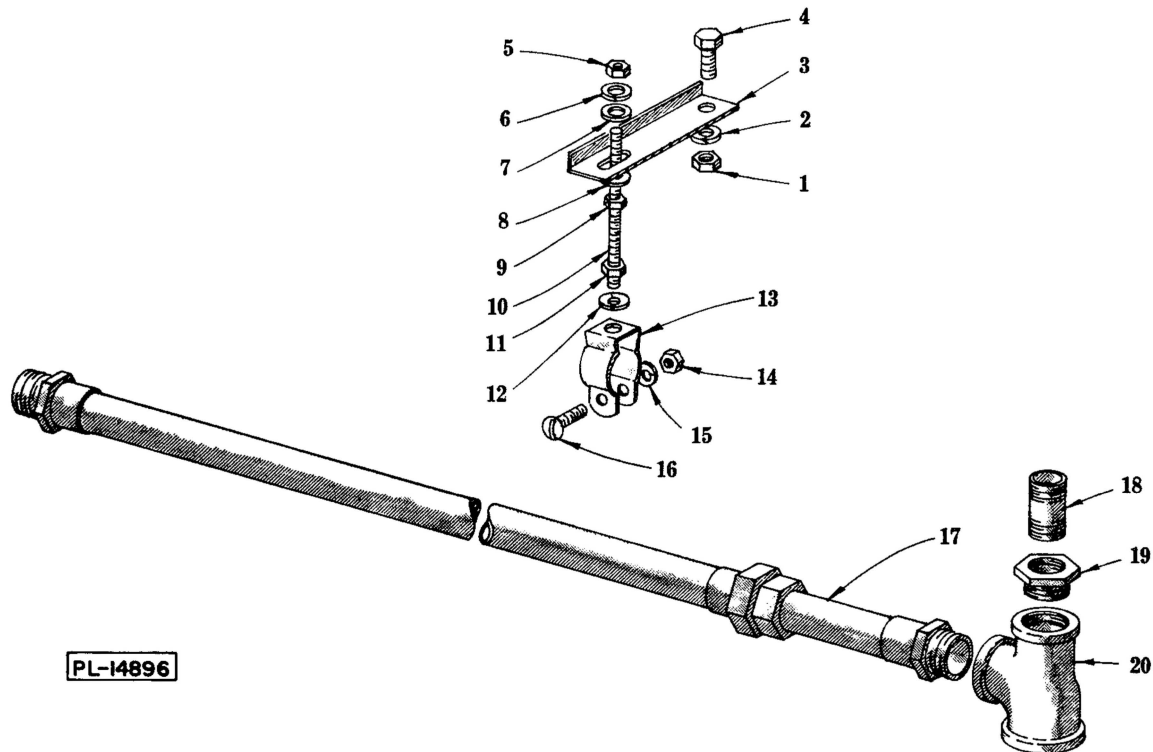
ILLUS. PL-14898	PART NO.	NAME OF PART	AMT.
	1	Full Nut - 5/16"-18 Hex Fin	3
	2	Lock Washer - 5/16" Light	3
	3	Support - Piping	3
	4	Fin. Bolt - 5/16"-18 x 7/8" Hex Hd	3
	5	Full Nut - 1/4"-20 Hex Fin	3
	6	Lock Washer - 1/4" Light	3
	7	Washer	3
	8	Washer	3
	9	Full Nut - 1/4"-20 Hex Fin	3
	10	Stud - Threaded	3
	11	Full Nut - 1/4"-20 Hex Fin	6
	12	Lock Washer - 1/4" Light	3
	13	Hanger (Size 0)	3
	14	Full Nut - 1/4"-20 Hex Fin	3
	15	Lock Washer - 1/4" Light	3
	16	Mach. Screw - 1/4"-20 x 7/8" Rd. Hd	3
	17	Common Fill Connection Assy. (60" thru 132" Discharge) (Incls. items #19 & 20)	1
	18	Common Fill Connection Assy. (44" Discharge) (Incls. items #19 & 21)	1
	19	Tee - 1-1/4" x 3/4" x 3/4" Reducing	1
	20	Nipple - 3/4" x 2-5/8" Lg. (T.B.E.) (60" thru 132" Discharge)	1
	21	Nipple - 3/4" x 2" Lg. (T.B.E.) (44" Discharge)	1



**COMMON FILL CONNECTION WITH STEAM BOOSTER
(FT-700, L. to R. OPERATION)**

ILLUS. PL-14899	PART NO.	NAME OF PART	AMT.
1	NS-15-11	Full Nut - 5/16"-18 Hex Fin	4
2	WL-6-22	Lock Washer - 5/16" Light	4
3	C-121744	Support - Piping	4
4	SC-41-12	Fin. Bolt - 5/16"-18 x 7/8" Hex Hd	4
5	NS-15-1	Full Nut - 1/4"-20 Hex Fin	4
6	WL-6-16	Lock Washer - 1/4" Light	4
7	WS-22-1	Washer	4
8	WS-22-1	Washer	4
9	NS-15-1	Full Nut - 1/4"-20 Hex Fin	4
10	P-78977	Stud - Threaded	4
11	NS-15-1	Full Nut - 1/4"-20 Hex Fin	8
12	WL-6-16	Lock Washer - 1/4" Light	4
13	M-62271	Hanger (Size 0)	4
14	NS-15-1	Full Nut - 1/4"-20 Hex Fin	4
15	WL-6-16	Lock Washer - 1/4" Light	4
16	SC-21-41	Mach. Screw - 1/4"-20 x 7/8" Rd. Hd	4
17	D-120231-1	Common Fill Connection Assy. (60" thru 132" Discharge) (Incls. items #19 & 20)	1
18	D-276557-1	Common Fill Connection Assy. (44" Discharge) (Incls. items #19 & 21)	1
19	FP-75-80	Tee - 1-1/4" x 3/4" x 3/4" Reducing	1
20	FP-41-60	Nipple - 3/4" x 2-5/8" Lg. (T.B.E.) (60" thru 132" Discharge)	1
21	FP-41-54	Nipple - 3/4" x 2" Lg. (T.B.E.) (44" Discharge)	1

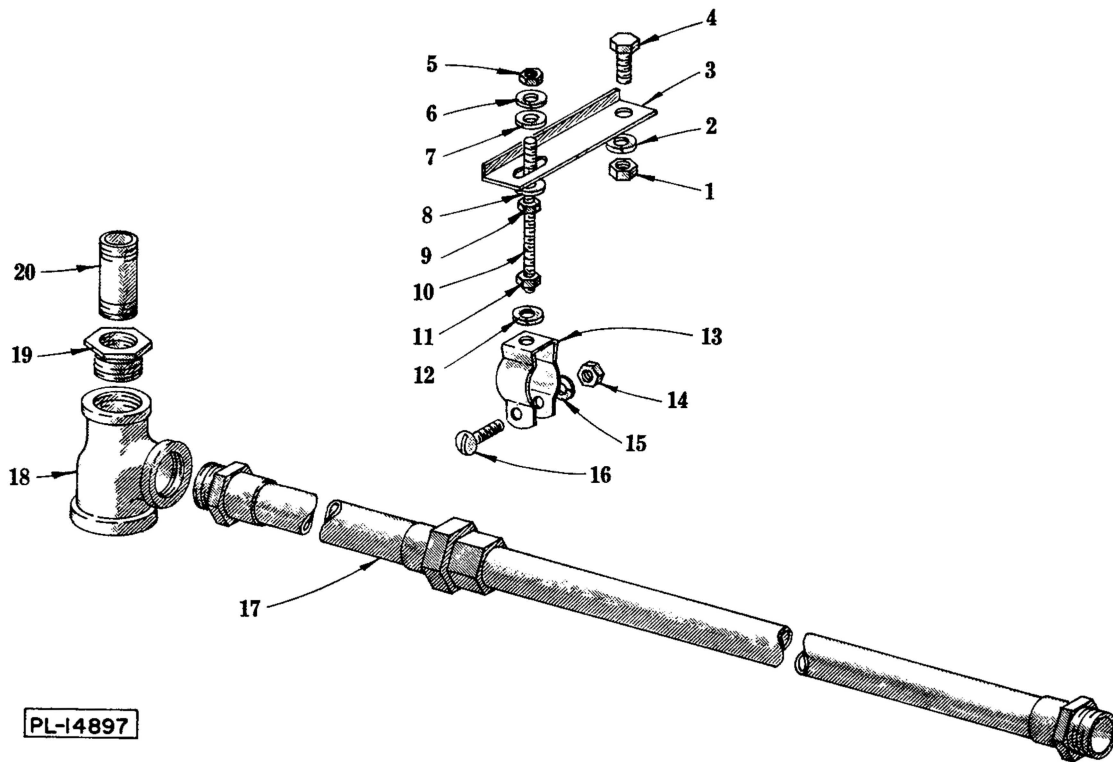
FILL REPLACEMENT PARTS



PL-14896

**COMMON FILL CONNECTION WITH ELEC. BOOSTER
(FT-600, R. to L. OPERATION)**

ILLUS. PL-14896	PART NO.	NAME OF PART	AMT.
1	NS-15-11	Full Nut - 5/16"-18 Hex Fin	1
2	WL-6-22	Lock Washer - 5/16" Light	1
3	C-121744	Support - Piping	1
4	SC-41-12	Fin. Bolt - 5/16"-18 x 7/8" Hex Hd	1
5	NS-15-1	Full Nut - 1/4"-20 Hex Fin	1
6	WL-6-16	Lock Washer - 1/4" Light	1
7	WS-22-1	Washer	1
8	WS-22-1	Washer	1
9	NS-15-1	Full Nut - 1/4"-20 Hex Fin	1
10	P-78977	Stud - Threaded	1
11	NS-15-1	Full Nut - 1/4"-20 Hex Fin	1
12	WL-6-16	Lock Washer - 1/4" Light	1
13	M-64901	Hanger (Size 1)	1
14	NS-15-1	Full Nut - 1/4"-20 Hex Fin	2
15	WL-6-16	Lock Washer - 1/4" Light	1
16	SC-21-41	Mach. Screw - 1/4"-20 x 7/8" Rd. Hd	1
17	D-122948-1	Common Fill Connection Assy. (Incls. items #18, 19 & 20)	1
18	FP-40-54	Nipple - 1/2" x 2-1/2" Lg. (T.B.E.)	1
19	FP-27-22	Bushing - 3/4" to 1/2" Hex Reducing	1
20	FP-75-80	Tee - 1-1/4" x 3/4" x 3/4" Reducing	1

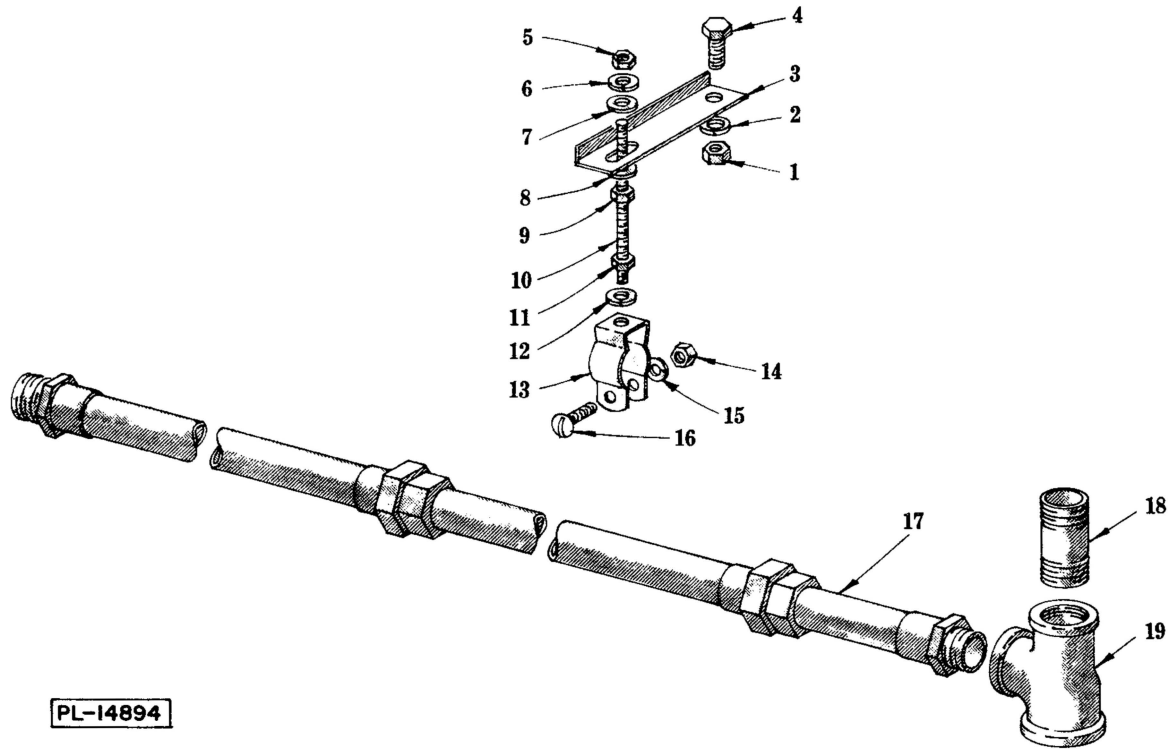


PL-14897

**COMMON FILL CONNECTION WITH ELEC. BOOSTER
(FT-600, L. to R. OPERATION)**

ILLUS. PL-14897	PART NO.	NAME OF PART	AMT.
	1	Full Nut - 5/16"-18 Hex Fin	2
	2	Lock Washer - 5/16" Light	2
	3	Support - Piping	2
	4	Fin. Bolt - 5/16"-18 x 7/8" Hex Hd	2
	5	Full Nut - 1/4"-20 Hex Fin	2
	6	Lock Washer - 1/4" Light	2
	7	Washer	2
	8	Washer	2
	9	Full Nut - 1/4"-20 Hex Fin	2
	10	Stud - Threaded	2
	11	Full Nut - 1/4"-20 Hex Fin	2
	12	Lock Washer - 1/4" Light	2
	13	Hanger (Size 1)	2
	14	Full Nut - 1/4"-20 Hex Fin	4
	15	Lock Washer - 1/4" Light	2
	16	Mach. Screw - 1/4"-20 x 7/8" Rd. Hd	2
	17	Common Fill Connection Assy. (Incls. items #18, 19 & 20)	1
	18	Tee - 1-1/4" x 3/4" x 3/4" Reducing	1
	19	Bushing - 3/4" to 1/2" Hex Reducing	1
	20	Nipple - 1/2" x 2-1/2" Lg. (T.B.E.)	1

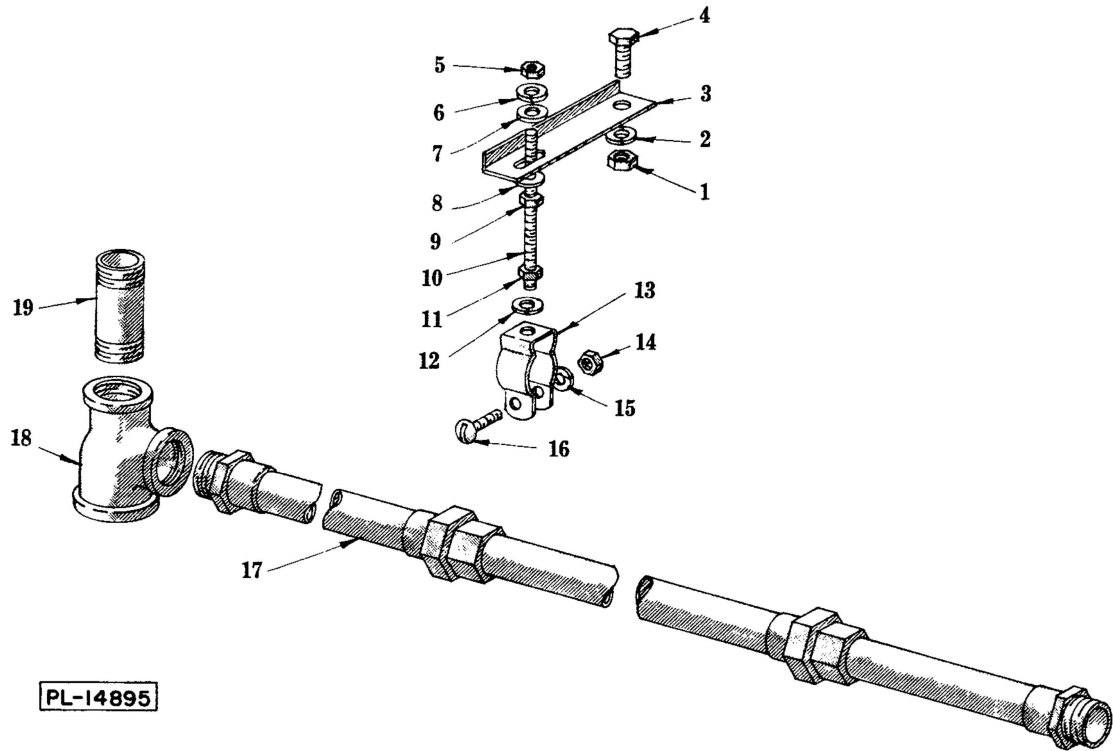
FILL REPLACEMENT PARTS



PL-14894

**COMMON FILL CONNECTION WITH ELEC. BOOSTER
(FT-700, R. to L. OPERATION)**

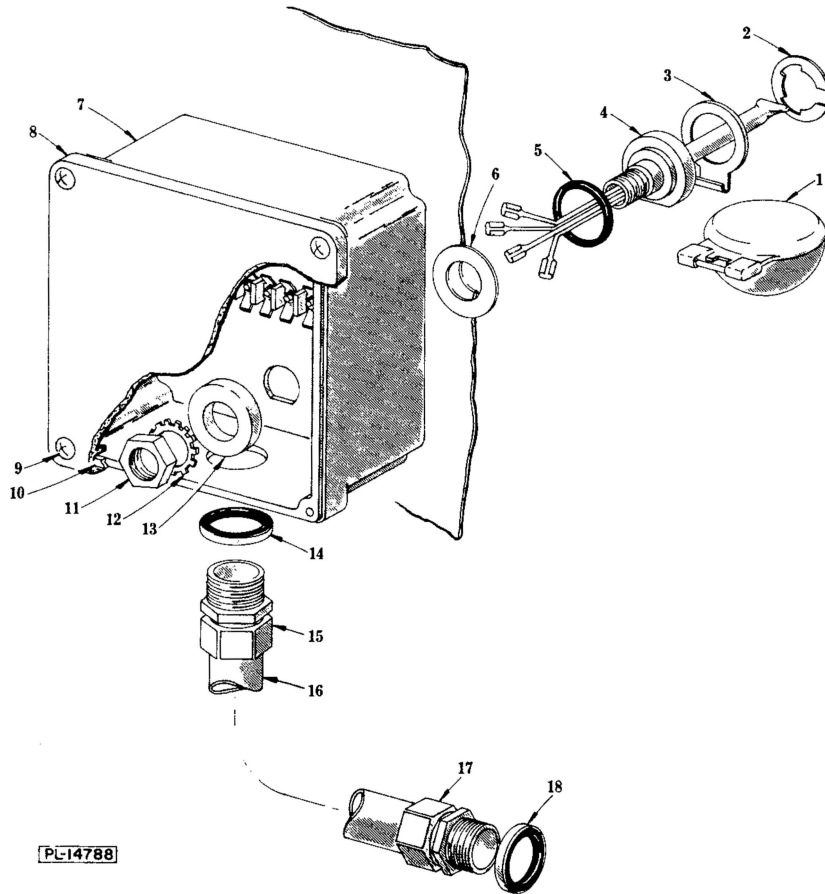
ILLUS. PL-14894	PART NO.	NAME OF PART	AMT.
1	NS-15-11	Full Nut - 5/16"-18 Hex Fin	3
2	WL-6-22	Lock Washer - 5/16" Light	3
3	C-121744	Support - Piping	3
4	SC-41-12	Fin. Bolt - 5/16"-18 x 7/8" Hex Hd	3
5	NS-15-1	Full Nut - 1/4"-20 Hex Fin	3
6	WL-6-16	Lock Washer - 1/4" Light	3
7	WS-22-1	Washer	3
8	WS-22-1	Washer	3
9	NS-15-1	Full Nut - 1/4"-20 Hex Fin	3
10	P-78977	Stud - Threaded	3
11	NS-15-1	Full Nut - 1/4"-20 Hex Fin	3
12	WL-6-16	Lock Washer - 1/4" Light	6
13	M-64901	Hanger (Size 1)	3
14	NS-15-1	Full Nut - 1/4"-20 Hex Fin	3
15	WL-6-16	Lock Washer - 1/4" Light	3
16	SC-21-41	Mach. Screw - 1/4"-20 x 7/8" Rd. Hd	3
17	D-122956-1	Common Fill Connection Assy. (Incls. items #18 & 19)	1
18	FP-41-59	Nipple - 3/4" x 2-1/2" Lg. (T.B.E.)	1
19	FP-75-80	Tee - 1-1/4" x 3/4" x 3/4" Reducing	1



**COMMON FILL CONNECTION WITH ELEC. BOOSTER
(FT-700, L. to R. OPERATION)**

ILLUS. PL-14895	PART NO.	NAME OF PART	AMT.
	1	NS-15-11 Full Nut - 5/16"-18 Hex Fin	4
	2	WL-6-22 Lock Washer - 5/16" Light	4
	3	C-121744 Support - Piping	4
	4	SC-41-12 Fin. Bolt - 5/16"-18 x 7/8" Hex Hd	4
	5	NS-15-1 Full Nut - 1/4"-20 Hex Fin	4
	6	WL-6-16 Lock Washer - 1/4" Light	4
	7	WS-22-1 Washer	4
	8	WS-22-1 Washer	4
	9	NS-15-1 Full Nut - 1/4"-20 Hex Fin	4
	10	P-78977 Stud - Threaded	4
	11	NS-15-1 Full Nut - 1/4"-20 Hex Fin	4
	12	WL-6-16 Lock Washer - 1/4" Light	8
	13	M-64901 Hanger (Size 1)	4
	14	NS-15-1 Full Nut - 1/4"-20 Hex Fin	4
	15	WL-6-16 Lock Washer - 1/4" Light	4
	16	SC-21-41 Mach. Screw - 1/4"-20 x 7/8" Rd. Hd	4
	17	D-122956-2 Common Fill Connection Assy. (Incls. items #18 & 19)	1
	18	FP-75-80 Tee - 1-1/4" x 3/4" x 3/4" Reducing	1
	19	FP-41-59 Nipple - 3/4" x 2-1/2" Lg. (T.B.E.)	1

FILL REPLACEMENT PARTS



LOW WATER PROTECTION

**LOW WATER PROTECTION
(WASH & RINSE, MANUAL FILL)**

ILLUS. PL-14788	PART NO.	NAME OF PART	AMT.
1	C-122674	Float Assy	1
2	RR-10-13	Retaining Ring	1
3	C-112467	Retainer - Float	1
4	B-112470	Probe & Switch Assy	1
5	D-67500-72	"O" Ring	1
6	C-111942	Gasket	1
7	D-121767-1	Box - Probe	1
8	C-112006	Lid & Gasket Assy. (Incls. item #10)	1
9	SD-12-20	Self-Tapping Screw - #8-32 x 1/2" Phil. Truss Hd., Type 23	4
10	C-112007	Gasket - Box	1
11	NS-18-28	Jam Nut - 1/2"-20 Hex Fin	1
12	WL-14-31	Lock Washer - 1/2" Ext. Shakeproof	1
13	B-111944	Washer - Thrust	1
14	FE-8-10	1/2" Gasket Assy	1
15	FE-6-45	Connector - Straight (1/2" Male Thd. x 1/2" Thinwall)	1
16	C-89740-70	Conduit - Angle (1/2" Thinwall)	1
17	FE-6-45	Connector - Straight (1/2" Male Thd. x 1/2" Thinwall)	1
18	FE-8-10	1/2" Gasket Assy	1

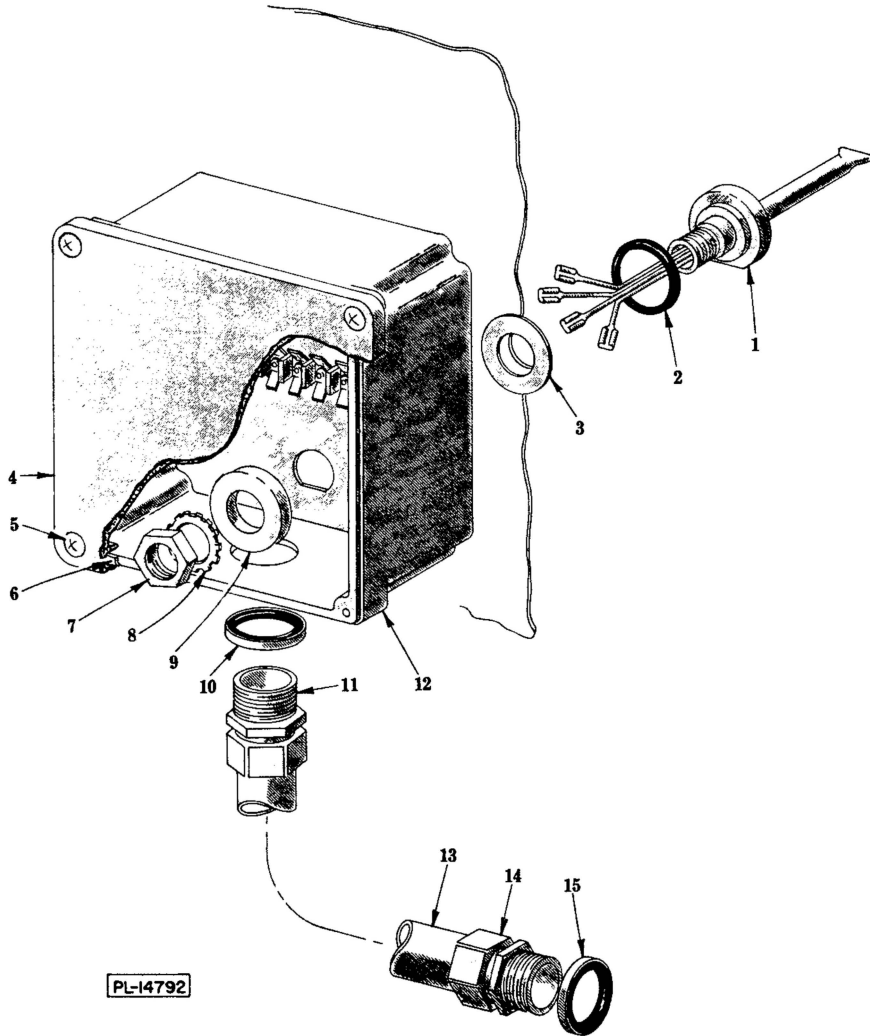
**LOW WATER PROTECTION
(WASH & RINSE, AUTO. FILL)**

ILLUS. PL-14789	PART NO.	NAME OF PART	AMT.
1	C-111942	Gasket	1
2	D-67500-72	"O" Ring	1
3	B-122468-2	Probe & Switch Assy	1
4	C-122674	Float Assy	1
5	C-112467	Retainer - Float	1
6	RR-10-13	Retaining Ring	1
7	C-122674	Float Assy	1
8	RR-10-13	Retaining Ring	1
9	C-112467	Retainer - Float	1
10	B-122468-2	Probe & Switch Assy	1
11	D-67500-72	"O" Ring	1
12	C-111942	Gasket	1
13	D-121767-5	Box - Probe	1
14	B-111944	Washer - Thrust	1
15	WL-14-31	Lock Washer - 1/2" Ext. Shakeproof	1
16	NS-18-28	Jam Nut - 1/2"-20 Hex Fin	1
17	C-112006	Lid & Gasket Assy. (Incls. item #19)	1
18	SD-12-20	Self-Tapping Screw - #8-32 x 1/2" Phil. Truss Hd., Type 23	4
19	C-112007	Gasket - Box	1
20	NS-18-28	Jam Nut - 1/2"-20 Hex Fin	1
21	WL-14-31	Lock Washer - 1/2" Ext. Shakeproof	1
22	B-111944	Washer - Thrust	1
23	FE-8-10	1/2" Gasket Assy	1
24	FE-6-45	Connector - Straight (1/2" Male Thd. x 1/2" Thinwall)	1
25	C-89740-70	Conduit - Angle (1/2" Thinwall)	1
26	FE-6-45	Connector - Straight (1/2" Male Thd. x 1/2" Thinwall)	1
27	FE-8-10	1/2" Gasket Assy	1

WATER LEVEL & PREWASH TEMP. CONTROL WITH AUTO. FILL

ILLUS. PL-14791	PART NO.	NAME OF PART	AMT.
1	C-111942	Gasket	1
2	D-67500-72	"O" Ring	1
3	B-112470	Probe & Switch Assy	1
4	C-122674	Float Assy	1
5	RR-10-13	Retaining Ring	1
6	C-112467	Retainer - Float	1
7	B-122468-2	Probe & Switch Assy	1
8	D-67500-72	"O" Ring	1
9	C-111942	Gasket	1
10	D-121767-3	Box - Probe (R. to L.)	1
11	D-121767-5	Box - Probe (L. to R.)	1
12	C-112007	Gasket - Box	1
13	C-112006	Lid & Gasket Assy. (Incls. item #12)	1
14	NS-18-28	Jam Nut - 1/2"-20 Hex Fin	1
15	WL-14-31	Lock Washer - 1/2" Ext. Shakeproof	1
16	B-111944	Washer - Thrust	1
17	SD-12-20	Self-Tapping Screw - #8-32 x 1/2" Phil. Truss Hd., Type 23	4
18	NS-18-28	Jam Nut - 1/2"-20 Hex Fin	1
19	WL-14-31	Lock Washer - 1/2" Ext. Shakeproof	1
20	B-111944	Washer - Thrust	1
21	FE-8-10	1/2" Gasket Assy	1
22	FE-6-45	Connector - Straight (1/2" Male Thd. x 1/2" Thinwall)	1
23	C-89740-68	Conduit - Angle (1/2" Thinwall)	1
24	FE-6-45	Connector - Straight (1/2" Male Thd. x 1/2" Thinwall)	1
25	FE-8-10	1/2" Gasket Assy	1

FILL REPLACEMENT PARTS

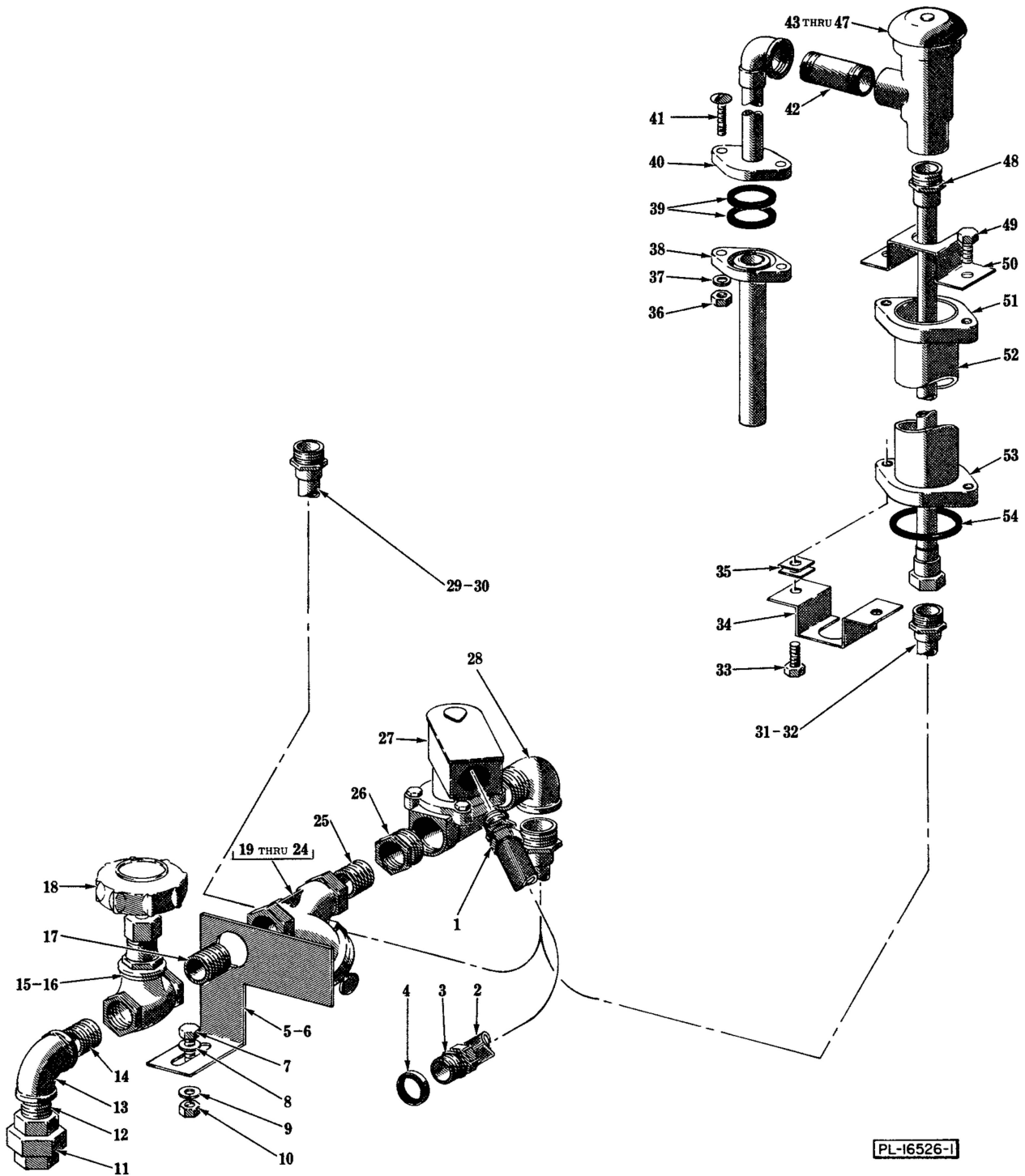


PREWASH TEMPERATURE CONTROL WITH MANUAL FILL

PREWASH TEMPERATURE CONTROL WITH MANUAL FILL

ILLUS. PL-14792	PART NO.	NAME OF PART	AMT.
1	B-112470	Probe & Switch Assy	1
2	D-67500-72	"O" Ring	1
3	C-111942	Gasket	1
4	C-112006	Lid & Gasket Assy. (Incls. item #6)	1
5	SD-12-20	Self-Tapping Screw - #8-32 x 1/2" Phil. Truss Hd., Type 23	4
6	C-112007	Gasket - Lid	1
7	NS-18-28	Jam Nut - 1/2"-20 Hex Fin	1
8	WL-14-31	Lock Washer - 1/2" Ext. Shakeproof	1
9	B-111944	Washer - Thrust	1
10	FE-8-10	1/2" Gasket Assy	1
11	FE-6-45	Connector - Straight (1/2" Male Thd. x 1/2" Thinwall)	1
12	D-121767-1	Box - Probe	1
13	C-89740-68	Conduit - Angle (1/2" Thinwall)	1
14	FE-6-45	Connector - Straight (1/2" Male Thd. x 1/2" Thinwall)	1
15	FE-8-10	1/2" Gasket Assy	1

FILL REPLACEMENT PARTS

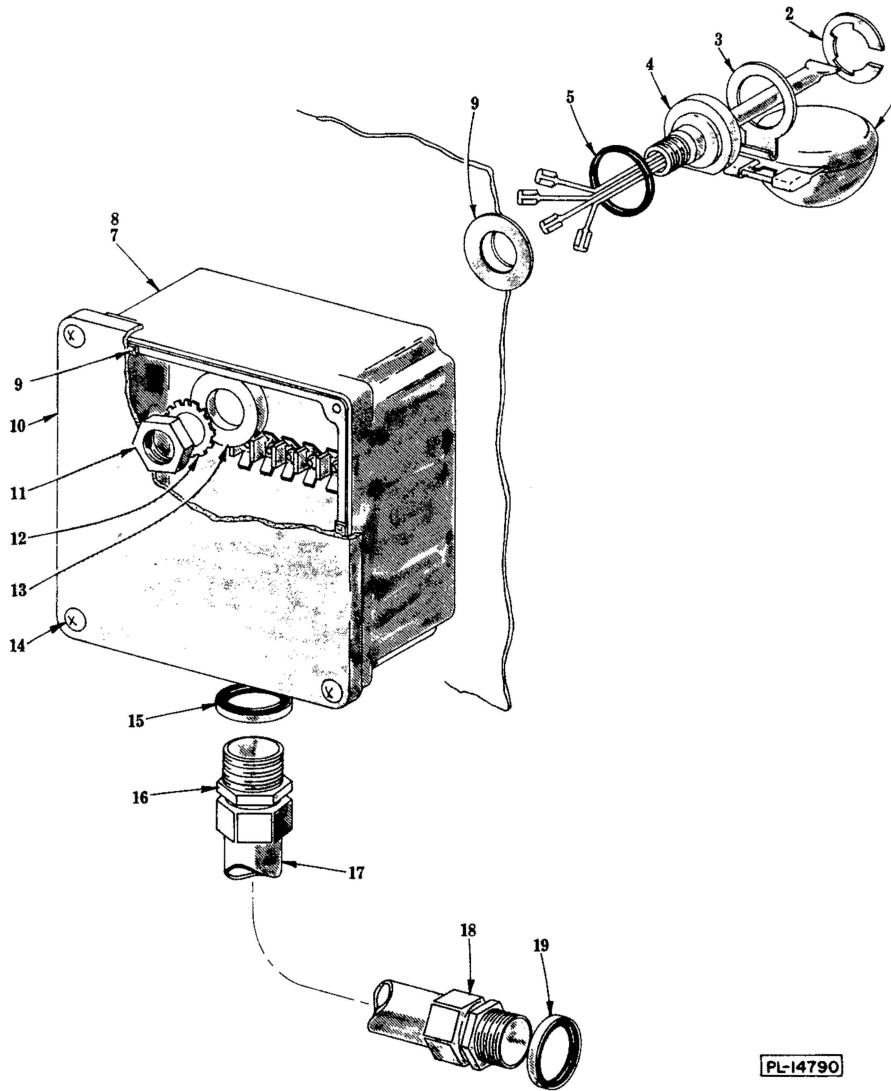


PREWASH TEMPERATURE CONTROL PIPING

PREWASH TEMPERATURE CONTROL PIPING

ILLUS. PL-16526-1	PART NO.	NAME OF PART	AMT.
1	FE-7-1	Connector - Straight "Sealtite" (1/2" Male Thd. x 3/8" Flex. Cnd.)	1
2	P-68190-37	Conduit - 3/8" x 16-3/4" (Waterproof)	1
3	FE-7-1	Connector - Straight "Sealtite" (1/2" Male Thd. x 3/8" Flex. Cnd.)	1
4	FE-8-10	1/2" Gasket Assy	1
5	D-121714-2	Bracket - Fill Piping (R. to L.)	1
6	D-121714-1	Bracket - Fill Piping (L. to R.) (Not Shown)	1
7	SC-41-10	Fin. Bolt - 5/16"-18 x 5/8" Hex Hd	1
8	WS-17-21	Washer	1
9	WL-6-22	Lock Washer - 5/16" Light	1
10	NS-15-11	Full Nut - 5/16"-18 Hex Fin	1
11	FP-22-12	Union - 1/2" (Grd. Seat)	1
12	FP-40-42	Nipple - 1/2" x 1-1/8" Lg. (T.B.E.)	1
13	FP-15-16	Elbow - 1/2" x 90°	1
14	FP-40-42	Nipple - 1/2" x 1-1/8" Lg. (T.B.E.)	1
15	M-65545	Valve - 1/2" Globe (Incls. item #16)	1
16	FP-9-7	Disc - 1/2" Valve	1
17	FP-40-42	Nipple - 1/2" x 1-1/8" Lg. (T.B.E.)	1
18	P-70149-3	Handle - Fill Valve	1
19	M-82227	Line Strainer (1/2") (Incls. items #20, 21, 22, 23 & 24)	1
20	M-82230	Screen (1/2" Line Strainer)	1
21	M-82233	Plate - Seal (1/2" Line Strainer)	1
22	M-82236	Clamp - (1/2" Line Strainer)	1
23	M-82238	Thumb Screw	1
24	D-67500-59	"O" Ring (1/2" Line Strainer)	1
25	FP-40-42	Nipple - 1/2" x 1-1/8" Lg. (T.B.E.)	1
26	FP-27-22	Bushing - 3/4" to 1/2" Hex Reducing	1
27	A-106468-5	Valve - 3/4" Solenoid (115 V., 50/60 Hz.)	1
28	FP-15-24	Elbow - 3/4" x 90° Street	1
29	D-123135-6	Piping Assy. (44" Prewash) (R. to L.)	1
30	D-123135-8	Piping Assy. (60" Prewash) (R. to L.)	1
31	D-123135-5	Piping Assy. (44" Prewash) (L. to R.)	1
32	D-123135-7	Piping Assy. (60" Prewash) (L. to R.)	1
33	SC-53-17	Mach. Screw - 5/16"-18 x 3/4" Truss Hd	2
34	R-81713	Support - Tube	1
35	A-121204	Shim (.059" Thk.)	AR
36	NS-15-11	Full Nut - 5/16"-18 Hex Fin	2
37	WL-6-22	Lock Washer - 5/16" Light	2
38	A-156669	Inside Fill Piping Assy	1
39	D-67500-13	"O" Ring	2
40	D-123434-2	Piping Assy	1
41	SC-21-57	Mach. Screw - 5/16"-18 x 1-1/4" Rd. Hd	2
42	FP-40-59	Nipple - 1/2" x 2-3/4" Lg. (T.B.E.)	1
43	M-74337	Vacuum Breaker - 1/2" (Incls. items #44, 45, 46 & 47)	1
44	M-74339	Gasket - Vacuum Breaker	1
45	M-74340	"O" Ring - Vacuum Breaker	1
46	M-74341	Float - Vacuum Breaker	1
47	M-74342	Collar - Vacuum Breaker	1
48	D-123434-3	Piping Assy	1
49	SC-53-17	Mach. Screw - 5/16"-18 x 3/4" Truss Hd	2
50	R-81713	Support - Tube	1
51	B-123363	Flange - Upper (Threaded)	1
52	C-123365-1	Tube - Protective	1
53	B-123364	Flange - Lower	1
54	D-67500-18	"O" Ring	1
	M-74343	Vacuum Breaker Float & Seal Sub-Assy. (Incls. items #44, 45, 46 & 47)	1

FILL REPLACEMENT PARTS



PL-14790

**WATER LEVEL CONTROL
(PREWASH AUTO. FILL)**

ILLUS. PL-14790	PART NO.	NAME OF PART	AMT.
1	C-122674	Float Assy	1
2	RR-10-13	Retaining Ring	1
3	C-112467	Retainer - Float	1
4	B-122468-2	Probe & Switch Assy	1
5	D-67500-72	"O" Ring	1
6	C-111942	Gasket	1
7	D-121767-2	Box (R. to L.)	1
8	D-121767-4	Box (L. to R.)	1
9	C-112007	Gasket - Lid	1
10	C-112006	Lid & Gasket Assy. (Incls. item #9)	1
11	NS-18-28	Jam Nut - 1/2"-20 Hex Fin	1
12	WL-14-31	Lock Washer - 1/2" Ext. Shakeproof	1
13	B-111944	Washer - Thrust	1
14	SD-12-20	Self-Tapping Screw - #8-32 x 1/2" Phil. Truss Hd., Type 23	4
15	FE-8-10	1/2" Gasket Assy	1
16	FE-6-45	Connector - Straight (1/2" Male Thd. x 1/2" Thinwall)	1
17	C-89740-68	Conduit - Angle (1/2" Thinwall)	1
18	FE-6-45	Connector - Straight (1/2" Male Thd. x 1/2" Thinwall)	1
19	FE-8-10	1/2" Gasket Assy	1