

F U N C I O N A M I E N T O
O P E R A T I O N

FT1000-SERIES DISHWASHERS
LAVE-VAISSELLE DE LA GAMME FT1000
LAVAVAJILLAS SERIE FT1000

MODEL
MODÈLE
MODELO

FT1000
FT1000-ER
FT1000-ER-BD
FT1000-ADV
FT1000S
FT1000S-ER
FT1000S-ER-BD



HOBART

701 S. RIDGE AVENUE
TROY, OHIO 45374-0001

937 332-3000

www.hobartcorp.com

F47504 (April 2016)

TABLE OF CONTENTS

OPERATION	4
Machine Preparation – Check before beginning operation	4
Tank filling	5
Dishwashing	6
Empty Strainer Baskets As Necessary	7
Loading	7
Unloading	8
Recommended Minimum Temperatures	8
Conveyor Speed Adjustment	8
CLEANING	8
Deliming (Manual process for machines not equipped with Auto Delime)	10
Automatic Soil Removal Section (When Equipped)	11
Auto Clean (When Equipped)	12
Auto Delime (When Equipped)	12
Dos and Don'ts for Your New Hobart Warewasher	13
Curtains: Models FT1000, FT1000-ER, FT1000-ER-BD, & FT1000-ADV	14
Curtains: Models FT1000S, FT1000S-ER, & FT1000S-ER-BD	15
PROGRAMMING	16
Machine Operation and Programming Security Levels	16
Operator – O	16
SuperOperator – SO	16
Manager – M	17
User Programming Instructions	17
Menu Display Prompts	18
Entering the Manager Menu	18
About Screen	18
Actions Menu	19
Logs Menu	19
Operation Parameters Menu	20
MAINTENANCE	23
Line Strainers	23
Lubrication	23
Motors	23
Conveyor Gearmotor	23
Conveyor Drive Chain	23
Conveyor Take-Up Unit	24
TROUBLESHOOTING	25

Operation and Care Of FT1000 SERIES DISHWASHERS

SAVE THESE INSTRUCTIONS

OPERATION

MACHINE PREPARATION – CHECK BEFORE BEGINNING OPERATION

Open the machine doors and make sure all components are in their proper operating positions before beginning operation.

- All strainer pans and scrap baskets must be properly installed in each section (Fig. 1).

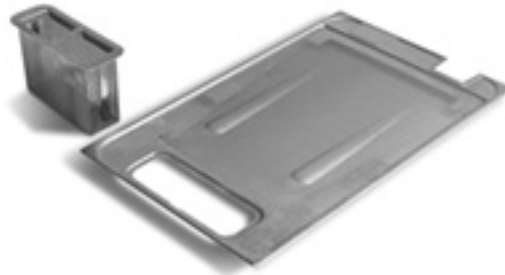


Fig. 1

- The external scrap basket(s) must be properly installed beneath the load of the machine (Fig. 2).



Fig. 2

- All upper and lower wash arms must be properly installed in each section. Wash arm sliders must also be placed in the closed position (Figs. 3 & 4).



Fig. 3

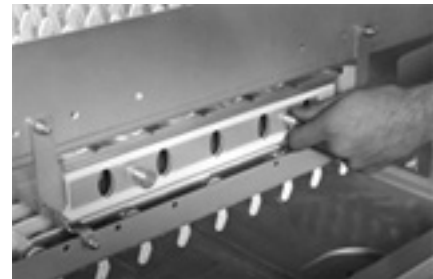


Fig. 4

- The dual rinse and final rinse arms must be properly installed (Figs. 5 & 6).



Fig. 5



Fig. 6

- On machines equipped with the ASR section, the ASR arms, strainer pan, and soil collector stand pipe must be properly installed (Figs. 7 & 8).



Fig. 7

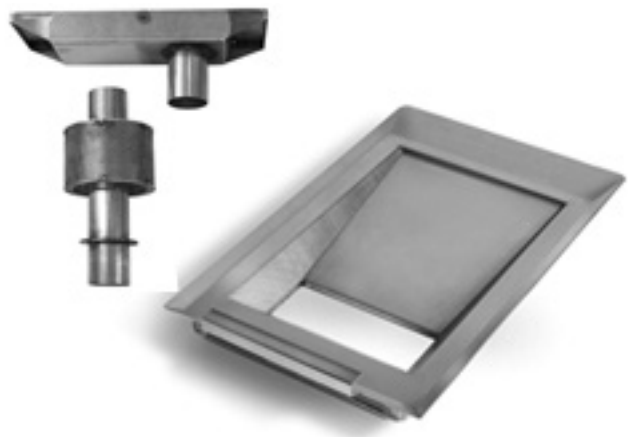


Fig. 8

- All curtains must be properly installed as shown on pages 14-15 of this manual.
- All tank drains must be placed in the closed position.
Master drain (only machines equipped with Auto Clean and Auto Delime) must be placed in the open position.

TANK FILLING

All water (and steam, if equipped) supply valves must be opened and the electric supply turned on before the machine will function.

Close all drains and doors. The drain handles are located near the floor at the front of each tank. Swing drain handles to the right to close and to the left to open. (On machines equipped with Auto Clean and Auto Delime, open the Master Drain located at either the load or unload end of the unit. Swing the Master Drain handle to the right to open and to the left to close.)

Press the Power key on the keypad located on the door of the control box (Fig. 9). The display will light up.



Fig. 9

If door(s) are not closed, *Door(s) Open* displays. If drain(s) are not closed, *Drain(s) Open* displays. If all doors and drains are closed, *Tank(s) Filling* displays and tanks begin to fill.

NOTE: Opening a door during the fill cycle shuts off the fill valves...*Door(s) Open* displays. Close the door to resume the fill cycle (*Tanks Filling* displays).

After the water level raises the lower float in each tank, the wash, rinse and dual rinse tanks begin to heat. When all tanks are full the fill valves will automatically shut off and the water temperatures display for each tank.

The Maintenance Fill feature adds water to the tanks to maintain proper water levels during operation. If the water level drops below the lower float in any tank, the heat shuts off and filling resumes on the affected tank(s). When the water level reaches the lower float, heating resumes while the tank(s) continue(s) filling until the proper water level is reached.

DISHWASHING

Start the motors for the conveyor, pumps and blower dryer (if equipped) by pressing the green START switch located at either the load or unload end of the machine (Fig. 10) or on the keypad located on the front of the control box (Fig. 11). The machine will operate only if the tanks have filled to the proper level and all doors are closed. Press the red STOP switch (Fig. 10 or 11) to stop the conveyor, pumps and blower dryer motors.

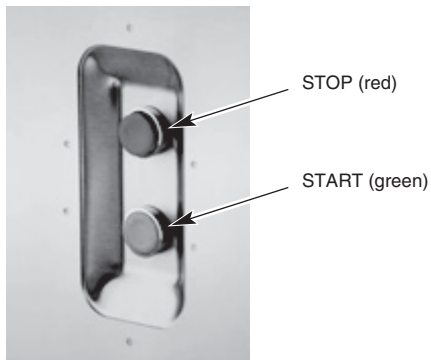


Fig. 10



Fig. 11

All tank temperatures display on the keypad display when the machine is in operation. Final Rinse temperature reads '---' until ware reaches the rinse zone. When ware reaches the rinse zone, the Final Rinse water temperature displays. After the ware exits the rinse zone, Final Rinse temperature again reads '---'.

If ware reaches the unload end of the machine and trips the dish limit switch, the conveyor and final rinse shut off, and the keypad displays the tank temperatures along with *Unload Dishes* across the bottom. After the ware is removed and the dish limit returns to operating position, normal operation resumes. If ware is not unloaded, the Dish Limit Auto-Timer counts down for one minute, and then shuts off pumps and blower dryer (if equipped). The display continues to show the tank temperatures and *Unload Dishes*.

If no ware enters the machine for a preset amount of time, the Auto-Timer automatically shuts off the machine and tanks continue to maintain required temperatures. To resume operation, press the green START switch located at either end of the machine or on the keypad located on the front of the control box.

NOTE: The Auto-Timer shut off setting can be adjusted as shown in the Parameters Menu (page 20); the range is from 1 to 30 minutes.

Empty Strainer Baskets As Necessary

The strainer baskets can fill with food soil during operation which will affect dishwasher operation and therefore must be emptied periodically. STOP the machine and open the access doors; strainer baskets are immediately inside at the front of the tanks.

The external scrap basket(s) at the load section needs to be emptied periodically, and can be done without interrupting machine operation. Remove the basket(s) when filled with food soil, empty and replace when done.

Loading

Pre-scrub dishes thoroughly to remove large food particles and debris. Never use steel wool on ware to be loaded into the dishwashing machine; this could introduce surface corrosion which could eventually interfere with machine operation.

All plates, saucers, trays, etc. should be loaded on the conveyor in an inclined position. Bowls should be loaded upside down. Silverware must be washed in racks to prevent loss of items; failing to do so could cause the conveyor to jam and damage ware or machine components.

DO NOT attempt to wash large items (pots, pans, trays, etc.) without first checking to make sure they fit through the machine opening. Such items must not be washed in the dishwasher unless they will easily pass through.

Do not allow foreign objects to enter the unit, especially metallic contaminants.

Unloading

Remove ware from the conveyor. If a dish pushes against the dish limit, the conveyor stops and the pumps run for one minute before shutting off.

Unload the conveyor starting with the ware furthest from the dish limit. Remove the ware that is striking the dish limit last. The machine automatically restarts.

RECOMMENDED MINIMUM TEMPERATURES

The water temperatures in the tanks and rinse arms are monitored electronically and are displayed on the control box keypad display. The display should be checked periodically to assure that proper temperatures are being maintained.

NOTE: Refer to the HOT WATER SANITIZING label on the side of the control box for minimum temperature ratings.

CONVEYOR SPEED ADJUSTMENT

Depending on the type of ware being washed, the conveyor speed can be adjusted by pressing the SPEED SELECTION key located on the keypad on the front of the control box (Fig. 16). When first pressing the key, the current speed selection will be shown on the bottom line of the display. By pressing the button a second or third time, the speed will toggle to the next available selections; Speed: Low, Speed: Medium, Speed: High.

CLEANING

The dishwasher **MUST** be thoroughly cleaned at the end of each working shift or after each meal. Push the POWER button on the keypad to turn the machine OFF. Follow the instructions below for the manual cleaning process.

For machines equipped with Auto Clean, see instructions on page 9. The Auto Clean process can be completed at the end of each working shift or after each meal; however, it is recommended that a manual cleaning be completed once per day.

⚠ WARNING Disconnect the electrical power to the machine and follow lockout/tagout procedures. There may be multiple circuits. Be sure all circuits are disconnected.

Open all front access doors. Drain the machine by swinging the tank drain handles to the left as shown on the labels located above each tank drain. Drain handles are located near the floor at the front of each tank.

Remove and clean the curtains. Before removing the strainer baskets and pans, clean the interior and all tank shelves using a hose and spray nozzle. Flush all debris toward the strainers.

Remove the wash arms by lifting up on the arm clearing the tab from the notch in the wash arm support. Slide upper arms forward, swinging front of arm down. Slide lower arms forward, tilt front of arms upward to allow water to drain. Remove arms. Clean wash arms in a sink, opening wash arm sliders to flush food soil from arms.

Remove the strainer baskets and strainer pans. Also remove the dual rinse strainer. Empty strainers in trash receptacle or food waste disposer. **DO NOT STRIKE STRAINER PANS OR STRAINER BASKETS ON SOLID OBJECT TO DISLodge DEBRIS.** Scrub strainer pans and strainer baskets in a sink.

Remove dual rinse and final rinse arms and clean debris from nozzles and arms. Never use steel wool to clean warewasher surfaces. Use only products formulated to be safe on stainless steel.

Flush tanks with a water hose, removing any accumulation of food soil.

Reinstall all arms in their proper location and orientation. Ensure that upper arm nozzles point downward, and lower arm nozzles point upward.

To install wash arms, slide manifolds on the supports toward the rear of the machine and ensure the tabs on the sides of the arms drop into the notches in the supports.

Replace the strainer pans and strainer baskets. Reinstall the curtains according to the curtain chart shown on pages 14-15 of this manual. Leave the machine doors open to allow the interior to air out and dry.

Clean machine exterior like any other stainless steel appliance. Use damp cloth and mild soapy water.

Spray the channels where the sensors are located at the load end of the machine (Fig. 12). Do not attempt to clean these with metallic objects as damage to sensors can occur.

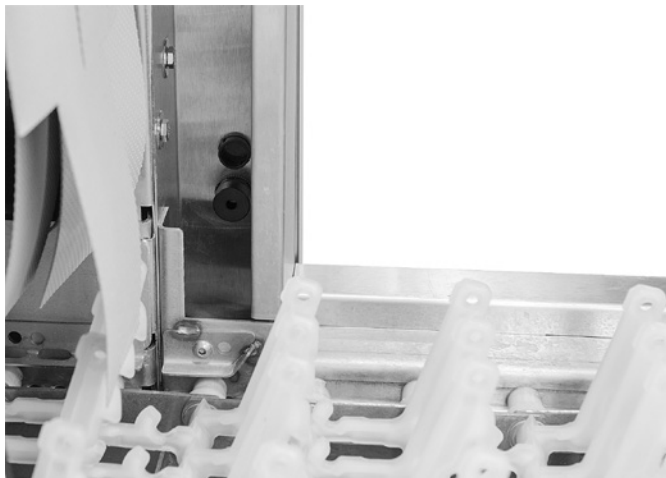


Fig. 12

Deliming (Manual process for machines not equipped with Auto Delime)

For machines not equipped with Auto Delime, follow these steps for manually deliming the machine.

1. Power machine OFF.
2. Drain all tanks and remove all food soils by cleaning the scrap baskets and strainer pans. Flush interior of machine with a hose.
3. Disable the detergent feeder chemical system according to the chemical manufacturer's recommendation. This will prevent the addition of detergent during the deliming operation.
4. Close all tank drains and re-install the strainer pans and scrap baskets.
5. Power the machine ON allowing it to fill with fresh water.
6. Refer to the PROGRAMMING section of this manual and adjust the AUTO TIMEOUT time to 30 minutes by entering the MANAGER PROGRAMMING. This will allow the unit to run for 30 minutes for the delime cycle without shutting off. Note the AUTO TIMEOUT setting before adjusting to 30 minutes.
7. Once the fill cycle has completed, open the doors and pour the required amount of delimer in each tank according to the chemical manufacturer's instructions following their recommendations for personal protective equipment (PPE).
8. Close the doors and start the machine allowing the pumps to run for 30 minutes at normal operating temperatures.
9. After the 30 minutes has elapsed and the machine has timed out, open the doors and inspect the interior for any remaining lime scale residue. If lime scale remains, close the doors and run the machine for a longer period of time. Depending on the time between deliming cycles and the water hardness, the machine may need to run longer and/or adjust the amount of delimer being used.
10. Power machine OFF and drain all tanks.
11. Thoroughly spray the inside of the unit flushing the remaining delimer solution down the drain.
12. Close all tank drains and power the machine ON allowing it to fill with fresh water.
13. Refer to the PROGRAMMING section of this manual and adjust the AUTO TIMEOUT time back to the original setting as noted in Step 6 by entering the MANAGER PROGRAMMING.
14. Once the fill cycle has completed, start the machine and run the pumps for a few minutes to flush any remaining delimer from the system.
15. Power machine OFF and drain all tanks.
16. Following the chemical manufacturer's recommendation, enable the detergent feeder chemical system.
17. The unit is now ready for normal operation.

Certain areas of the machine, such as the loading, final rinse, and unloading sections, may still show signs of scale residue as these areas are not subjected to the recirculated wash containing the deliming solution. These areas will need to be cleaned/delimed manually as instructed below. **DO NOT spray or wipe the deliming solution on exterior surfaces of the dish machine as this could cause corrosion. If delimer solution is accidentally contacted with the exterior of the machine, flush with water and wipe. Always wear proper personal protective equipment (PPE) when using delimer following chemical manufacturer's recommendations.**

1. Following the chemical manufacturer's instructions, prepare a mixture of delimer and water, and pour or brush the solution onto the surface to be cleaned.
2. Allow to soak for 10 minutes. If required, scrub to remove heavy deposits.
3. Rinse thoroughly with fresh water.

Automatic Soil Removal Section (When Equipped)

Machines equipped with Automatic Soil Removal (ASR) feature an additional section located immediately after the load end of the machine. During machine operation, the ASR section captures food soil and pumps it to the external scrap basket, located beneath the load of the machine.

To empty the external scrap basket during machine operation, remove the basket, empty and replace. The machine will continue to operate unless the STOP button is pressed at the load, unload or on the keypad located on the front of the control box.

To clean the ASR system, remove the external scrap basket located beneath the load section, empty food soil, rinse basket in sink and replace. Remove the upper and lower ASR wash arms. To remove the upper arm, pull back on the tab, allow the arm to drop and pull out. To remove the lower arm, pull up slightly and pull the arm out. Rinse both arms in the sink and ensure all nozzles are clear of debris.

Remove the ASR strainer pan, and then remove the two piece soil collector stand pipe (Fig. 13). Clean these components using a sprayer hose in a sink. Use a hose to spray down the inside of the ASR section as well.



Fig. 13

Replace all components when complete. To replace the soil collector stand pipe, drop the bottom of the tube with the strainer into the drain body located at the bottom of the ASR tank and then install the soil collector tube on top of the previously installed tube. Place the strainer pan on top, noting that it sits slightly higher than the tank. Replace the lower wash arm by following the guide rail and pushing the tube into place in the manifold. Replace the upper wash arm by pushing the tube into the upper manifold, pushing up and snapping into place.

Auto Clean (When Equipped)

To perform the Auto Clean procedure, follow the steps listed below (italics text indicates actual machine display prompts):

1. Press the blue Auto Clean button located on the keypad on the front of the control box.
2. *Press ENTER to begin Auto Clean.*
3. The display briefly shows *Press Stop key at any time to abort Auto Clean cycle* before proceeding to step 4.
4. *Close Master Drain* – close the manual Master Drain valve located at either the load or unload end of the machine.
5. *Open All Tank Drains* – open all tank drains located at the bottom of each tank.
6. *Tanks draining. Please wait a few seconds* – at this time, the machine is draining the water in the tanks below the strainer pans thru the Master Drain automatic valve.
7. *Clean and replace strainer baskets. Open wash arm sliders, Close Doors, Press Enter When Done* – For machines equipped with ASR, clean and replace the soil collector stand pipe and strainer pan.
8. *No additional user intervention required. Auto clean will take approximately 30 minutes* – at this time, the machine is in the self-cleaning mode. Wash pumps will run to flush food soil from wash arms, and then Auto Clean nozzles located at the rear of each chamber will wash each chamber section above the strainer pans.
9. *Close Wash Arm Sliders; then close all doors-Press Enter When Done*
10. *Open Master Drain* – open the manual Master Drain valve located at either the load or unload end of the machine.
11. *Close Tank Drains* – close all tank drains located at the bottom of each tank.
12. *Auto Clean complete, Press Enter key to refill. Otherwise machine will shut down in 60 seconds.*

Pressing the STOP button at any time during the Auto Clean process cancels the Auto Clean cycle. The display reads *Auto Clean cycle not complete. Press STOP to abort, ENTER to resume* – After pressing STOP to abort, follow the on screen instructions to prepare for washing.

Auto Delime (When Equipped)

To perform the Auto Delime procedure, follow the steps listed below (italics text indicates actual machine display prompts):

1. When the display prompts *Delime Recommended*, refer to the 'PROGRAMMING' section of this manual when ready to initiate the delime cycle. Navigate to the 'Actions' menu and scroll down to 'Run Delime Cycle'. Press the ENTER key.
2. The display briefly reads *Press Stop key at any time to abort Delime cycle* before proceeding to step 3.
3. *Remove ware from machine. Press ENTER when done or STOP to abort.*
4. *Place Delime Pump hose in delime solution. Press Enter when done.* Place the hose from the delime chemical pump located at the unload end of the machine into the delime solution container.
5. *Open All Tank Drains-Leave drains open.* – open all tank drains located at the bottom of each tank.

6. *Clean Strainer Baskets, then replace. Press enter when done.*
 7. *Tanks Draining Please Wait* – after all tanks have drained the display toggles to step 8.
 8. *Close Master Drain* – close the Master Drain manual valve located at either the load or unload end of the machine.
 9. *Tanks Filling Please Wait* – after the machine has filled with approximately 1-2 inches of water in the tanks, the display toggles to step 10.
 10. *Pour xx gallons delime into Tank 1. Press Enter when done* – the display prompts you to pour the required amount of delimer into Tank 1, located next to the dual rinse tank towards the load end of the machine and labeled *Delime Tank*.
 11. *Press ENTER to start conveyor.*
 12. *Delime Cycle Running. Approximate Time Left: XX:XX* – at this time, the machine is running the auto delime cycle.
 13. *Auto Delime Complete. Press Enter key to refill. Otherwise, machine will power down in 5 minutes*
 14. *Open Master Drain* – after pressing Enter in the previous step or powering the machine back up from a power down, open the Master Drain manual valve located at either the load or unload end of the machine.
 15. *Close all Tank Drains* – close all tank drains located at the bottom of each tank.
- Pressing the STOP button at any time during the Auto Delime process will cancel the cycle. If the delime solution has not yet been introduced into the system, the display will read *Tanks rinsed and ready for wash. Press Enter to refill. Or machine will power down in 5 minutes.* If the delime solution has been introduced into the system, the display will read *Delime solution in Tanks. Press Enter key to drain and rinse tanks. Press Stop key to skip rinse cycle.*

DO'S AND DON'TS FOR YOUR NEW HOBART DISHWASHER

DO assure proper water hardness of 3 grains or less per gallon.

DO pre-scrap dishes thoroughly.

DO use only detergents recommended by your chemical professional.

DO, at the end of the day, complete a manual cleaning cycle as needed; thoroughly cleanse the machine, rinse, and dry (leave doors open).

DO, at the end of each meal period, complete an Auto Clean cycle (when equipped), following instructions on the display.

DO use only products formulated to be safe on stainless steel.

DO NOT use detergents formulated for residential dishwashers.

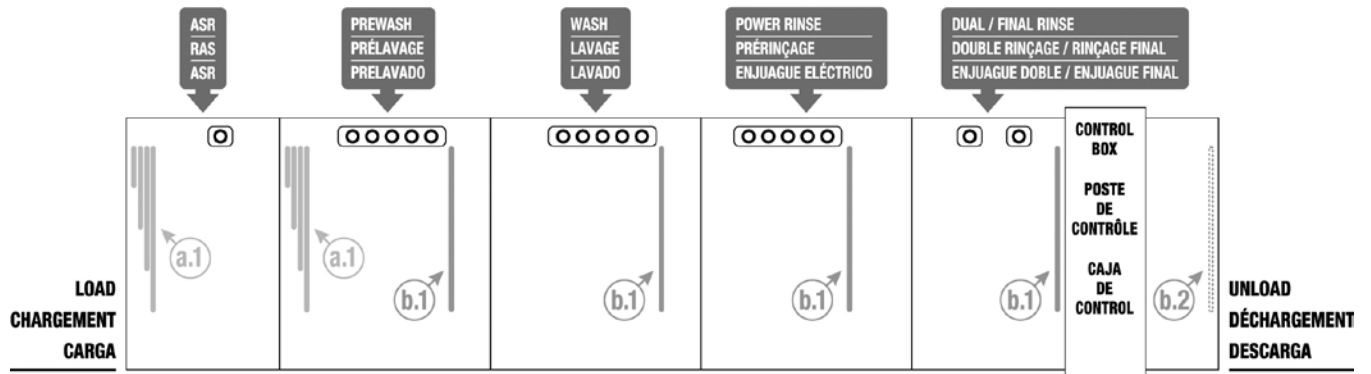
DO NOT allow food soil to accumulate on the tank bottom.

DO NOT use steel wool to clean ware or dishwasher surface.

DO NOT allow foreign objects to enter the unit, especially metallic contaminants.

NOTE: Failure to follow use, care, and maintenance instructions may void your Hobart dishwasher warranty.

8' CENTER SECTION | ZONE CENTRALE DE 8 pi (2438 mm) | ZONA CENTRAL DE 8'



8' CENTER SECTION | ZONE CENTRALE DE 8 pi (2438 mm) | ZONA CENTRAL DE 8'

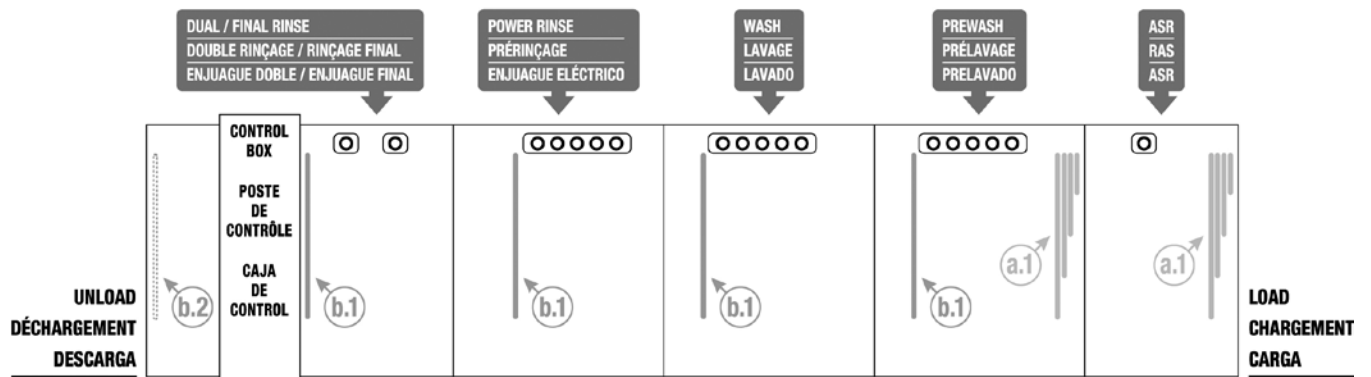
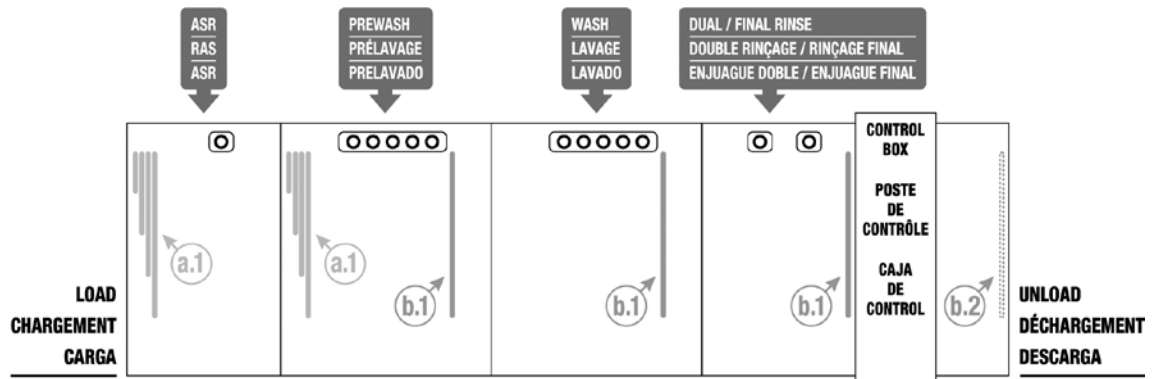


Fig. 14

LEGEND LÉGENDE LEYENDA			
(a.1)	4-PLY CURTAINS AT SECTION DIVIDERS RIDEAUX À 4 ÉPAISSEURS POUR SÉPARER LES ZONES CORTINAS DE 4 CAPAS EN LOS SEPARADORES DE SECCIÓN	(b.1)	LONG CURTAINS RIDEAUX LONGS CORTINAS GRANDES
		(b.2)	CURTAIN PLACEMENT FOR UNITS WITHOUT BLOWER DRYER POSITION DES RIDEAUX SUR LES APPAREILS SANS TUNNEL DE SÉCHAGE. COLOCACIÓN DE LA CORTINA PARA UNIDADES SIN SECADOR DE AIRE

5' CENTER SECTION | ZONE CENTRALE DE 5 pi (1524 mm) | ZONA CENTRAL DE 5'



5' CENTER SECTION | ZONE CENTRALE DE 5 pi (1524 mm) | ZONA CENTRAL DE 5'

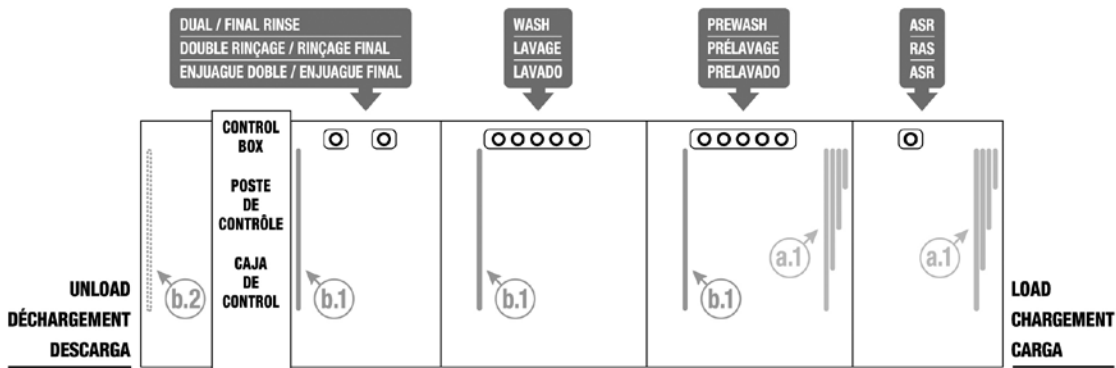


Fig. 15

LEGEND LÉGENDE LEYENDA	
a.1	4-PLY CURTAINS AT SECTION DIVIDERS RIDEAUX À 4 ÉPAISSEURS POUR SÉPARER LES ZONES CORTINAS DE 4 CAPAS EN LOS SEPARADORES DE SECCIÓN
b.1	LONG CURTAINS RIDEAUX LONGS CORTINAS GRANDES
b.2	CURTAIN PLACEMENT FOR UNITS WITHOUT BLOWER DRYER POSITION DES RIDEAUX SUR LES APPAREILS SANS TUNNEL DE SÉCHAGE. COLOCACIÓN DE LA CORTINA PARA UNIDADES SIN SECADOR DE AIRE

PROGRAMMING

MACHINE OPERATION AND PROGRAMMING SECURITY LEVELS

The advanced digital controls on your dishwasher allow several setup and customization options. Because these options can affect the operation of the machine, they are all locked-out by default from the factory. To unlock them for editing, the security level must be elevated to an appropriate level.

It is recommended to keep the dishwasher in the lowest security level possible at all times. This will prevent options from being inadvertently or intentionally modified from what is expected or acceptable. The security level will automatically revert back to the lowest allowable level (either Operator or SuperOperator, as described below) when any of the following occur:

1. No keys on the keypad are pressed for 10 minutes or more.
2. The machine is placed in Standby by pressing the POWER key.
3. An invalid Security Code is entered on the ENTER SECURITY CODE? Screen.

The following names and descriptions of the various security levels are listed from the lowest level to the highest level. A higher security level includes all of the abilities of the lower levels plus some extra abilities, as described below.

NOTE: The security level does not, by itself, affect the operation of the machine or inhibit the use of any of the Start, Stop, or Power keys or buttons. All of these basic functions are always available in any security level.

Operator – O

This is the most basic security level and is enabled by default when the unit is powered up as initially set by the factory. No security code is required to enter this security level. This level only allows entering the Security Code to elevate the current security level to something higher.

SuperOperator – SO

This security level can be enabled via the Manager Menu (Manager → Operation Parameters → Super Operator Access). Once enabled, "Super Operator" will be added as an option when the Menu button is pressed (in the "Main Menu"). A security code is NOT required to enter the Super Operator menu once it has been enabled. The Super Operator menu allows some advanced features to be accessed; such as initiating Auto Delime, reviewing error logs, and changing the displayed language. A detailed list of Super Operator functions is shown in the Parameters Menu.

Manager – M

This security level is the highest level attainable by the user. It requires the Manager Code to be entered before the security level will be elevated to Manager.

This security level offers unrestricted access to all of the options listed in the Parameters Menu. Because of this, it is recommended that power to the machine be cycled off and on when access to the Manager level options are no longer explicitly needed.

The Security Code for the Manager level can be changed by a kitchen manager or anyone with the Manager Code. The default code is listed in the section titled Entering the Operation Parameters Menu. As such, it is recommended that this code be changed from the default and stored in a safe place where all kitchen managers, but no one else, can access it. If the code is ever lost or forgotten, it can be reset by Hobart Service.

NOTE: Having Hobart Service reset the Manager Code is not covered under either the basic or the extended warranty.

USER PROGRAMMING INSTRUCTIONS

The dishwasher is equipped with electronic digital controls to allow greater precision for cleaning your ware, maintaining required tank temperatures and other advanced functions. Some of these functions are customized to suit the needs of your kitchen operation.

All customization is performed through the on-screen menu using the UP, DOWN/MENU, ENTER, and STOP/BACK keys located on the keypad on the control box door (Fig. 16).

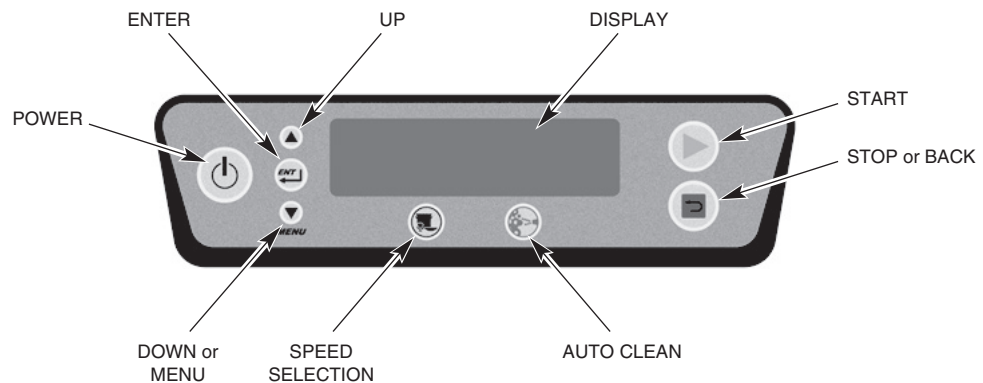


Fig. 16

MENU DISPLAY PROMPTS

The following prompts are used inside the menus.

- The UP and DOWN arrow keys are used to change parameter values and to navigate the menu.
- The ENTER key is used to accept a value, perform a specified action or enter a submenu.
- The BACK key will always revert back to the previous menu screen.
- The text just to the right of the '>' symbol on the display screen shows what action or command will occur by pressing the ENTER key.

ENTERING THE MANAGER MENU

To enter the Manager menu:

1. Press the MENU key from the main screen. This will take you to the *Main Menu*.
2. With the '>' symbol to the left of Manager, press the ENTER key. This will take you to the *Enter Security Code* screen.
3. You are prompted with four asterisks [****].
4. Use the UP and DOWN keys to change the digit of the Security Code to the appropriate value*.

* The default Security Code to enter Manager programming is 1001. This code can be changed by anyone with this knowledge and it is recommended to change it from the default. If the code is ever lost for some reason, it can be reset by Hobart Service.

NOTE: Resetting the code is not covered under your warranty, whether you are in the initial warranty period or in the extended warranty period.

5. Press the ENTER key to move to the next digit to the right.
6. Repeat steps 4 and 5 for each digit.
After pressing ENTER on the fourth digit, you will be in the *Manager Menu*.
7. Press the UP or DOWN keys repeatedly until the '>' symbol is to the left of the desired option and then press the ENTER key. The Manager options are: *About*, *Actions*, *Logs*, and *Operation Parameters*.

ABOUT SCREEN

The About screen displays the following information; *Machine Model*, *Control Board Revision*, *Relay Board Revision*, *Software Version*, *Sanitizing Mode*, and *Service Number*.

ACTIONS MENU

The Actions Menu provides the following options:

- **Change Manager Code:** Allows the manager security code to be changed from the default value.
- **Reverse Jog:** Allows the conveyor to be jogged in the reverse direction in case there is a conveyor jam. When entering this mode, the following message is displayed:

Be sure all personnel clear of conveyor. Press button in upper Control Box while pressing Enter.

*> Exit without jogging
Reverse jog conveyor*

To reverse jog the conveyor, press the ENTER button with the '>' symbol located to the left of Reverse jog conveyor while also pressing the green button located behind the upper control box door (Fig. 17).

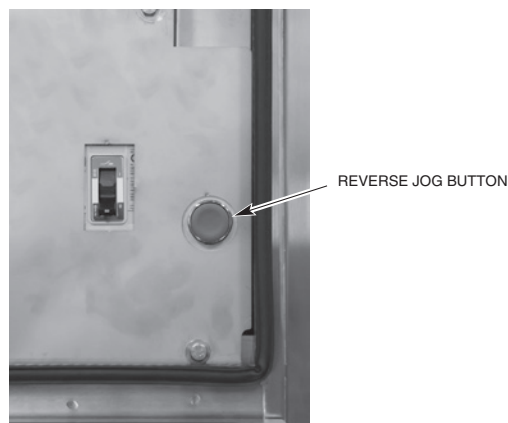


Fig. 17

- **Run Delime Cycle:** Initiates the Auto Delime cycle; see page 10 of this manual for the complete procedure.
- **Set Date/Time:** Enter this screen to set the date and time

LOGS MENU

The Logs menu provides the following options:

- **Delime Counter:** Displays the time remaining before delime recommendation is displayed. Also allows the ability to *Clear Delime Counter*.
- **Error Log:** Displays the previous errors along with the date/time the errors occurred.
- **Statistics:** Entering the Statistics screen will display the following information; *Time of Operation, Run Time Percent, Rinse Time, and Fill Time.*

OPERATION PARAMETERS MENU

NOTE: The parameters can be changed anytime the display is active, which is when the machine is operating or in idle mode.

Hobart believes that the default settings that leave the factory are suitable for the majority of kitchen operations. However, there are cases where kitchen managers may find the need to change one or more options; the Parameters Menu allows these changes.

Within the Parameters Menu, the manager (or operator, in some cases) may modify factory default settings. The menu structure and description of each option are detailed below. Please contact Hobart Service if you are uncomfortable changing any setting or are unsure of which one(s) to change.

The Parameters Menu lists the parameter name, a short description, a list of possible values the parameter can have, the factory default value based on the specific dishwasher model, and the security level required to access that parameter

PARAMETERS MENU

Parameter Name	Description	Possible Values	Default Value	Security Required
Auto Clean Demo Mode	Enables or disables the Auto Clean Demo Mode. When enabled, this mode allows the Auto Clean cycle to be demonstrated for training purposes without running the complete cycle.	Disabled Enabled	Disabled	M
Auto Timeout	Adjustable timer for determining when to shut down the pumps and conveyor when no dishes are in the machine.	1 – 30 mins	6 mins	SO
Conveyor Speed High	Sets the High conveyor speed setting when the operator presses the Speed Selection button on the keypad changing the setting to Speed: High.	4.0-8.5	8.5 ft/min	M
Conveyor Speed Low	Sets the Low conveyor speed setting when the operator presses the Speed Selection button on the keypad changing the setting to Speed: Low.	4.0-8.5	4.0 ft/min	M
Conveyor Speed Medium	Sets the Medium conveyor speed setting when the operator presses the Speed Selection button on the keypad changing the setting to Speed: Medium.	4.0-8.5	6.3 ft/min	M
Delime – Main Tanks Quantity	Sets the number of delimer gallons required per tank.	0.0 – 2.0	0.50	M

Delime – Water Hardness	Water hardness input setting which the control uses for determining when to delime the machine.	0 – 250	0	M
Delime Concentration	Sets the delimer concentration for the final rinse and booster system.	1.5% 3.0%	3.0%	SO
Delime Demo Mode	Enables or disables the Delime Demo Mode. When enabled, this mode allows the Delime cycle to be demonstrated for training purposes without running the complete cycle.	Disabled Enabled	Disabled	M
Dish Limit Till BD Heat Off	Sets the period of time (in seconds) until the blower dryer heat turns off after a dish activates the dish limit.	0-60 seconds	60 seconds	M
Dirty Water Interval	Sets the period (in hours) of rinsing before an alert is shown. This option is only available when Dirty Water Mode is set to “Alert” or to “Alert + Lockout”.	1 – 6 hours	4 hours	M
Dirty Water Mode	<p>Can be enabled to indicate that the water may be dirty and may need to be changed. Monitors the final rinse on time and when the final rinse on time exceeds a user-definable level, a message will display. The message will not be disabled until a water change event occurs by draining all tanks in the machine.</p> <p>There are three different modes. Disabled: Ignores dirty water. Alert : Displays “Water Change Required” after a period of operation but does not require refilling. Alert + Lockout: Displays “Change Water Soon” for 5 minutes after a period of operation; then “Water Change Required” displays and the machine cannot run until all tanks are drained and refilled.</p>	Disabled Alert Alert + Lockout	Disabled	M
Disable When Drain Open	If enabled, prevents machine operation if any tank drain is open.	Disabled Enabled	Disabled	M
Energy Saver Time	After a period of machine inactivity, the control initiates Energy Saver Mode: All warewash components are turned off, and the display on the keypad dims, displaying “Energy Saver On”. To exit Energy Saver mode, press the STOP button on the keypad. You may also press the POWER button to completely turn the machine off. If ware is present in machine, Energy Saver mode will not activate.	1 – 6 hours	2 hours	M

Language Select	Enables or disables the ability for the operator to change the displayed language	Disabled Enabled	Disabled	SO
Low FR Temperature Alarm	Enables or disables a visual alarm on the display that indicates that Final Rinse water temperature is below the NSF required minimum of 180°F (82°C). When enabled, a message will display notifying the user of this condition. However, machine operation will not change and ware will continue to run through the machine as expected. When disabled, there will be no extra message indicating a low-temperature event; however, the temperature display will still show the current Final Rinse water temperature	Disabled Enabled	Disabled	M
Primary Language	This option sets the default language shown on the display.	English French Spanish	English	SO
Super Operator Access	Enables or disables the SuperOperator access level. When enabled, this allows any user to modify values in the Parameters Menu that are marked as requiring only SO security without entering a password. When disabled, the only operation allowed by any user is the ability to enter the Security Code and exit the menu. No parameters are allowed to be modified.	Disabled Enabled	Disabled	M
Tank Stirring	Enables or disables the tank stirring mode which turns the pumps on for 15 seconds for every 15 minutes of idle time to keep the machine chambers hot.	Disabled Enabled	Disabled	M
Tank Temperature Alert	Displays a message when water temperature for any tank falls below minimum requirement for at least ten minutes. After temperature increases past the minimum requirement, the message stops.	Disabled Enabled	Disabled	M
Temperature Units	Sets whether temperatures and set points are displayed in °F or °C.	F C	F	SO

MAINTENANCE

⚠ WARNING Disconnect the electrical power to the machine and follow lockout/tagout procedures. There may be multiple circuits. Be sure all circuits are disconnected.

LINE STRAINERS

Line strainers used in water or steam lines should be cleaned one week after machine installation and periodically thereafter.

LUBRICATION

A list of acceptable lubricants, as well as the lubricants themselves, are available from your local Hobart Service office.

Motors

All motors have sealed bearings and require no lubrication maintenance.

Conveyor Gearmotor

Check the oil level in the conveyor gearmotor at the unload end of the machine every six months by removing the gear case fill plug (Fig. 18). The oil level should be at the bottom of the fill plug hole. Draining the gear case can be achieved by removing the drain plug (Fig. 18) and capturing and recycling the drained oil. After re-screwing the drain plug back in the hole, use only Shell Omala S2 G220 to replenish or replace the oil.

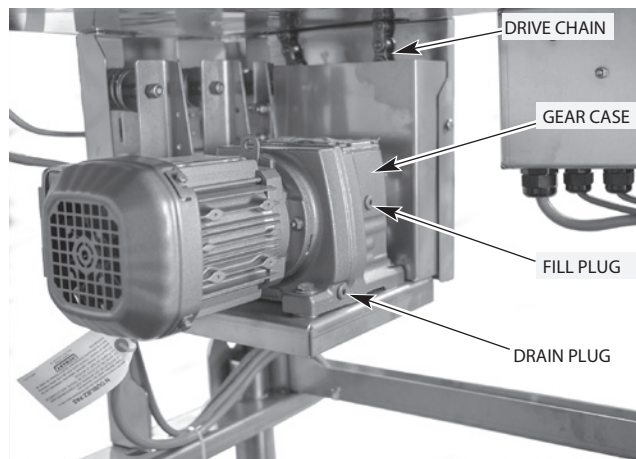


Fig. 18

Conveyor Drive Chain

Inspect the drive chain (Fig. 18) regularly and lubricate as required with SFGO Ultra 32 (supplied).

Conveyor Take-Up Unit

Lubricate the two conveyor take-up unit adjusting screws (Fig. 19) at the load ends of the machine at least twice a year using the Chevron FM Grease, provided for this purpose.

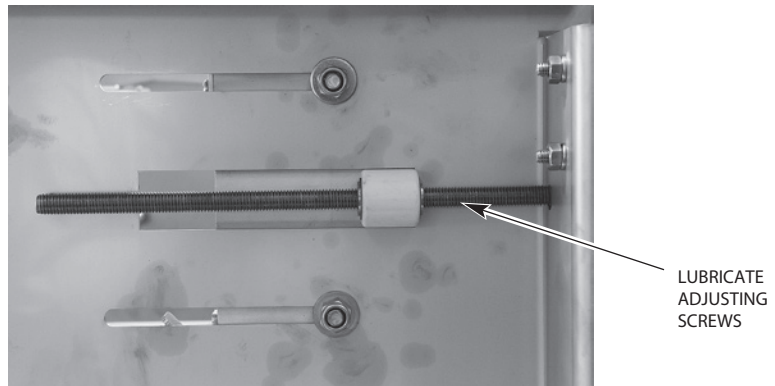


Fig. 19

TROUBLESHOOTING

TROUBLESHOOTING

Symptom	Possible Cause
	<p>NOTE: If symptom(s) persist after possible causes have been checked, contact Hobart Service.</p>
Machine Won't Operate After Start Button is Pressed	<ol style="list-style-type: none"> 1. Inspection door(s) not closed. Door(s) Open displays. 2. Conveyor may be jammed. 3. Check drains, make sure they're closed. Check tanks, make sure they're full. 4. Blown fuse or tripped circuit breaker at power supply
Ware Not Clean	<ol style="list-style-type: none"> 1. Insufficient pre-scrapping or tank water may need to be changed. 2. Wash arm sliders in open position. 3. Wash arm nozzle obstruction(s). 4. Loss of water pressure due to pump obstructions. <p>⚠ WARNING Disconnect the electrical power to the machine and follow lockout/tagout procedures. There may be multiple circuits. Be sure all circuits are disconnected.</p> <ol style="list-style-type: none"> 5. Incorrect water temperature. Check circuit breaker to electric heat supply, or main steam valve. Make certain valve is completely open. 6. Incorrect detergent dispensing. Contact your chemical representative. 7. Wash arms installed incorrectly. 8. Ware not loaded properly. 9. On machines equipped with the ASR section, ensure strainer and soil collector stand pipe are unobstructed.
Spotting of Ware	<ol style="list-style-type: none"> 1. Ware not loaded properly. 2. Incorrect final rinse water temperature (minimum 180°F). 3. Incorrect detergent and/or rinse aid dispensing. Contact your chemical representative. 4. Improper water hardness (3 grains or less per gallon is recommended). 5. Clogged rinse nozzle(s). 6. Misaligned rinse arms. Rinse arms should be positioned so that they align in hub on chamber wall. 7. Water leaking past rinse arm manifold O-ring.
Inadequate Rinse	<ol style="list-style-type: none"> 1. Dirty line strainer causing reduced water flow. Turn off water supply, remove strainer cap, withdraw and clean screen. 2. Rinse arm(s) are not properly inserted in the hubs. 3. Clogged dual rinse nozzle(s) – clean the nozzle(s). 4. Dual rinse tank strainer pan is clogged – clean the strainer pan.
Continuous Rinse Operation	<ol style="list-style-type: none"> 1. Photoelectric sensors are blocked. Clean channels where sensors are located (Fig. 20). 2. Remove the vertical panels from load end of machine adjacent to prewash or ASR chamber. With machine power on, verify indicators on sensor (Fig. 21) flash on and off when blocking and unblocking the sensor. 3. Improperly operating rinse pump circuit. Contact Hobart Service.

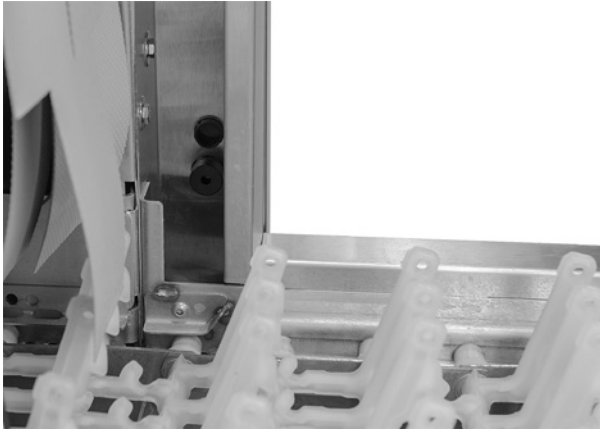


Fig. 20



Fig. 21

Tanks Not Heating	<ol style="list-style-type: none"> 1. Low water safety devices shut off heat. Check for proper water level. 2. Lower float(s) do not move freely. 3. Circuit breaker(s) to heat system tripped (electric heat). 4. Steam supply valve(s) are not opened completely or supply pressure too low (steam heat). 5. Overtemp protector tripped (electric heat). Contact Hobart Service. 6. Failed heating element (electric heat). Contact Hobart Service. 7. Bucket trap not functioning correctly (steam heat). Contact Hobart Service. 8. Improperly operating steam solenoid valve(s) (steam heat). Contact Hobart Service.
-------------------	--

No Fill or Slow Fill	<ol style="list-style-type: none"> 1. Door(s) are open. 2. Drain(s) open 3. Main fill (water supply valve) could be closed. 4. Upper and/or lower fill floats do not move freely. 5. Dirty line strainer (Fig. 22) causing reduced water flow. Turn off water supply, remove strainer cap, withdraw and clean screen. 6. Problem with solenoid valve. Contact Hobart Service. 7. Low incoming water supply pressure.
----------------------	---

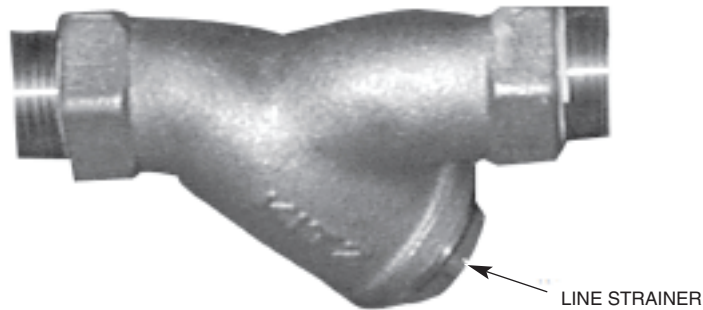


Fig. 22

No Blower Dryer Heat (Electric Heat Blower Dryer)	<ol style="list-style-type: none"> 1. Blower motor(s) not operating properly. 2. Circuit breaker to electric blower dryer heaters tripped. 3. Overtemp protector tripped; red overtemp indicator light is lit. Contact Hobart .
---	--

No Blower Dryer Heat (Steam Blower Dryer)	<ol style="list-style-type: none"> 1. Blower motor(s) not operating properly. 2. Improperly operating steam solenoid valve. 3. Steam supply valve is not completely open or supply pressure is too low. 4. Bucket trap not functioning correctly.
---	---

Display Reads	Possible Resolution
Door(s) Open	Close all inspection doors.
Tank Drain(s) Open	Close all tank drains.
Unload Dishes	Remove all ware from unload section of the machine, starting with the ware closest to the machine chambers. Remove the ware that is in contact with the dish limit last.
Probe Error – [Tank Name]	Ensure lower float assembly in indicated tank is not visibly damaged and sufficient water is in the tank to cover the lower float.
Final Rinse Temp Low	<ol style="list-style-type: none"> 1. Check that the final rinse booster tank circuit breaker is on and not tripped (if equipped). 2. Check that the final rinse booster tank overtemp circuit is not tripped (if equipped). 3. Ensure that the building supply water temperature to the final rinse booster tank is at least the minimum specified by Hobart. 4. If temperature control needs adjustment, or if there is a booster heater failure, contact your local Hobart Service office.
Check Water Level	<ol style="list-style-type: none"> 1. Ensure all drains are closed and free of debris. 2. Check that the water supply valve is open. 3. Open inspection doors and check water level of all tanks. Water should be about 1 inch down from top of strainer pan or higher. Close inspection doors. 4. If tanks fail to fill after another 20 minutes, contact Hobart Service.

**F U N C I O N A M I E N T O
O P E R A T I O N
M I E N T O**

**FT1000-SERIES DISHWASHERS
LAVE-VAISSELLE DE LA GAMME FT1000
LAVAVAJILLAS SERIE FT1000**

**MODEL
MODÈLE
MODELO**

ML-130250 COVERS ALL OF THE FOLLOWING MODELS

**FT1000
FT1000-ER
FT1000-ER-BD
FT1000S
FT1000S-ER
FT1000S-ER-BD**



701 S. RIDGE AVENUE
TROY, OHIO 45374-0001

937 332-3000

www.hobartcorp.com

F47504 (Avril 2016)

TABLE DES MATIÈRES

UTILISATION.....	4
Préparation de l'appareil – À vérifier avant commencer le travail	4
Remplissage des réservoirs	5
Laver la vaisselle	6
Vider les paniers filtres au besoin.....	7
Chargement	7
Déchargement	8
Températures minimum recommandées	8
Régler la vitesse du convoyeur	8
NETTOYAGE.....	8
Détartrage (Procédé manuel pour les machine dépourvues du détartrage automatique)	10
Section retrait automatique des salissures (si installée)	11
Nettoyage automatique (si installé)	12
Détartrage automatique (si installé).....	12
Quoi faire et ne pas faire avec votre nouveau lave-vaisselle Hobart.....	13
Rideaux, modèles FT1000, FT1000-ER, FT1000S-ER-BD & FT1000-ADV	14
Rideaux, modèles FT1000, FT1000-ER & FT1000-ER-BD.....	15
PROGRAMMATION	16
Utilisation de l'appareil et programmation des niveaux de sécurité.....	16
Utilisateur – O.....	16
SuperUtilisateur – SO.....	16
Gestion – M	17
Instruction de programmation pour l'utilisateur	17
Commandes du menu	18
Accéder au menu de gestion.....	18
Écran À propos de la machine.....	18
Menu Fonctions	19
Menu Journaux	19
Menu Paramètres de fonctionnement	20
ENTRETIEN	23
Filtres des conduites d'eau	23
Lubrification	23
Moteurs.....	23
Moteur à engrenage du convoyeur.....	23
Chaîne d'entraînement du convoyeur	23
Dispositif de tension du convoyeur.....	24
DÉPANNAGE	25

Utilisation et entretien des LAVE-VAISSELLES DE LA GAMME FT1000

CONSERVEZ CES INSTRUCTIONS

UTILISATION

PRÉPARATION DE LA MACHINE – À VÉRIFIER AVANT DE COMMENCER LE TRAVAIL

Ouvrez les portes de l'appareil pour vous assurer que tous les composants sont placés à leur position de fonctionnement avant de démarrer.

- Tous les bacs-filtre et paniers à résidus doivent être correctement installés à chaque section de l'appareil (Fig. 1).

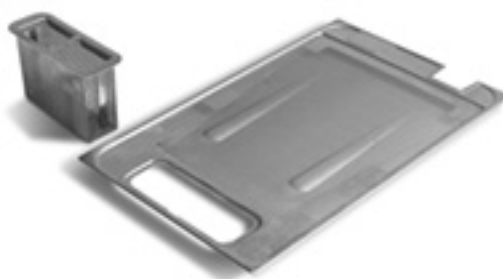


Fig. 1

- Le(s) panier(s) à résidus externe(s) doit (doivent) être correctement installé(s) sous la zone de chargement de la machine (Fig. 2).



Fig. 2

- Tous les gicleurs supérieurs et inférieurs doivent être installés correctement à chaque section de l'appareil. Les fermettes coulissantes des gicleurs doivent être glissés en position fermée (Figs. 3 & 4).



Fig. 3

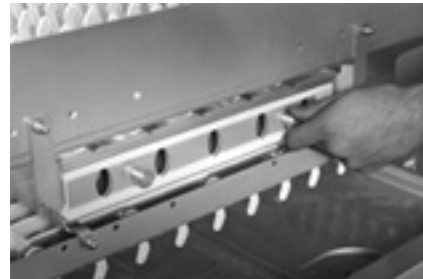


Fig. 4

- Les gicleurs du double rinçage et du rinçage final doivent être installés correctement (Figs. 5 & 6).



Fig. 5



Fig. 6

- En ce qui touche les machines équipées d'une section de retrait automatique des salissures, les gicleurs, le bac de filtrage et le conduit vertical de collection de résidu doivent être installés correctement. (Figs. 7 & 8).



Fig. 7

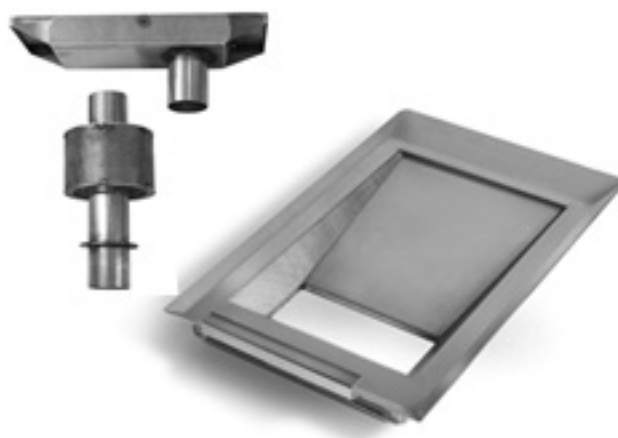


Fig. 8

- Tous les rideaux doivent être installés correctement, selon le schéma de disposition des rideaux situé à l'avant de la boîte de commande de la machine ou aux pages 14 et 15 de ce manuel.
- Tous les robinets de vidange des réservoirs doivent être placés en position fermée. La vidange principale (pour les appareils équipés du nettoyage et du détartrage automatique) doit être placée en position ouverte.

REPLISSAGE DES RÉSERVOIRS

Toutes les vannes d'alimentation d'eau (et de vapeur, le cas échéant) doivent être ouvertes et l'alimentation électrique activée avant de faire fonctionner la machine.

Fermez tous les robinets de vidange et les portes. Les leviers de vidange sont situés au niveau du plancher à l'avant de chaque réservoir. Faites pivoter les leviers de vidange vers la gauche pour fermer, et vers la droite pour ouvrir. (Sur les appareils équipés du nettoyage et du détartrage automatique, ouvrez le robinet de vidange principal situé du côté de chargement ou sortie de l'appareil. Faites pivoter la poignée du robinet de vidange principal vers la droite pour ouvrir et vers la gauche pour fermer.)

Appuyez sur la touche Power (Marche) du clavier de commande sur la porte du poste de contrôle (Fig. 9). L'écran s'illuminera.



Fig. 9

Si l'une des portes n'est pas fermée, la note *Porte(s) ouverte(s)* s'affichera. Si l'un des robinets de vidange n'est pas fermé, *Vidange(s) cuve ouverte(s)* s'affichera. Quand toutes les portes et robinets de vidange sont fermés, *Remplissage des cuves en cours* s'affichera et le remplissage des réservoirs démarrera.

REMARQUE : L'ouverture d'une porte lors du cycle de remplissage a pour effet de fermer les vannes et l'afficheur indique *Porte(s) ouverte(s)* à l'écran. Refermez la porte pour reprendre le cycle de remplissage (*Remplissage des cuves en cours* s'affichera).

Quand le niveau de l'eau soulève le flotteur inférieur de chacun des réservoirs, le cycle de chauffage démarre pour les réservoirs de lavage, prérinçage et de double rinçage. Les vannes de remplissage se referment automatiquement lorsque tous les réservoirs sont pleins et les températures de chacun des réservoirs s'affichent à l'écran.

La fonction de Remplissage de maintien ajoute de l'eau aux réservoirs pour assurer des niveaux adéquats lors du fonctionnement de la machine. Lorsque niveau tombe en dessous du flotteur inférieur dans un réservoir, le chauffage s'éteint et un cycle de remplissage est lancé dans le ou les réservoirs affectés. Lorsque le niveau d'eau monte jusqu'au flotteur inférieur, le chauffage reprend pendant que le ou les réservoirs continuent leur cycle de remplissage jusqu'à ce qu'un niveau adéquat soit atteint.

LAVAGE DE VAISSELLE

Démarrez les moteurs du convoyeur, des pompes et du séchoir (si inclus) en appuyant sur l'interrupteur de MARCHE vert du côté chargement ou déchargement de l'appareil (Fig. 10) ou sur le clavier situé à l'avant du poste de contrôle (Fig. 10). L'appareil se mettra en marche uniquement si le niveau des réservoirs est adéquat et si toutes les portes sont bien fermées. Appuyez sur l'interrupteur STOP (Fig. 10 ou 11) pour couper les moteurs du convoyeur, des pompes et du séchoir.

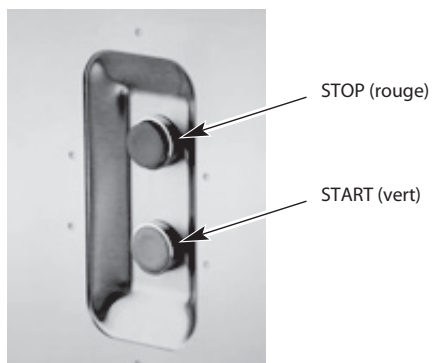


Fig. 10



Fig. 11

Chacune des températures des réservoirs s'affichent sur l'écran du clavier lorsque la machine est en fonction. La température du rinçage final est indiquée par la marque '---' jusqu'à ce que la vaisselle atteigne la zone de rinçage. Lorsque la vaisselle atteint la zone de rinçage, la température de l'eau du rinçage final s'affiche. Après que la charge de vaisselle ait quitté la zone de rinçage, la température du rinçage est de nouveau indiquée par la marque '---'.

Lorsque la vaisselle atteint la sortie de l'appareil et déclenche le contact de fin de course, le convoyeur et le rinçage final s'éteindront. L'écran affichera la température du réservoir suivi du message *Retirez vaisselle*. Une fois la charge de vaisselle retirée et l'interrupteur de fin de course réactivé, l'appareil retourne en fonctionnement normal. Si la vaisselle n'est pas retirée, la minuterie de limitation de charge éteint les pompes et le séchoir (si installé) après une minute. L'affichage continue d'afficher les températures des vannes avec le message *Retirer vaisselle*.

Si aucune vaisselle n'est introduite dans l'appareil pendant une période prééglée, la minuterie automatique désactive l'appareil tandis que le chauffage des réservoirs continue à maintenir les températures requises. Pour reprendre le fonctionnement, appuyez sur un des boutons verts MARCHE (START) situés au début ou à la fin de la machine, ou sur le clavier fixé sur le panneau avant du poste de contrôle.

REMARQUE : La minuterie automatique peut être ajustée dans le menu des paramètres (page 20) ; vous pouvez régler une plage de 1 à 30 minutes.

Videz les paniers-filtre au besoin

Les paniers-filtre peuvent se remplir de résidus alimentaires, ce qui peut affecter le fonctionnement du lave-vaisselle et doivent donc être vidés périodiquement. **ARRÊTEZ** la machine et ouvrez les portes d'accès. Les paniers-filtre se trouvent immédiatement à l'intérieur, sur le devant des réservoirs.

Le(s) panier(s) à rebuts externe(s) à la section de chargement doivent être vidés périodiquement et peuvent l'être sans interrompre le fonctionnement de l'appareil. Retirez le(s) panier(s) lorsqu'ils sont pleins, videz et remplacez-les lorsque vous avez terminé.

Chargement

Grattez d'abord la vaisselle complètement pour en retirer les restes alimentaires et les débris. Ne jamais utiliser de laine d'acier sur les articles qui seront introduits dans le lave-vaisselle car cela pourrait créer de la corrosion en surface et éventuellement nuire au bon fonctionnement de la machine.

Toutes les assiettes, soucoupes, plateaux, etc., devraient être chargés sur le convoyeur en position inclinée. Les bols devraient être chargés à l'envers. Les couverts doivent être lavés dans des paniers pour éviter de les perdre dans la machine. Le non-respect de cette consigne pourrait bloquer le convoyeur et endommager la vaisselle ou des pièces de la machine.

NE PAS essayer de laver de gros articles (marmites, bacs, plateaux, etc.) sans s'assurer qu'ils peuvent aisément passer dans l'ouverture de l'appareil. De tels articles ne peuvent être lavés dans le lave-vaisselle à moins d'y circuler librement.

Ne pas permettre l'entrée de corps étrangers dans la machine, notamment les contaminants métalliques.

Déchargement

Retirez la vaisselle du convoyeur. Quand un article de vaisselle touche le contact de fin de course, le convoyeur s'arrête et les pompes continuent de fonctionner pendant une minute avant de s'arrêter.

Déchargez le convoyeur en commençant par l'article le plus éloigné du contact de fin de course. Retirez l'article qui repose sur l'interrupteur en dernier. La machine se relancera automatiquement.

TEMPÉRATURES MINIMUM RECOMMANDÉES

Les températures de l'eau des réservoirs et des gicleurs sont prises en charge électroniquement et s'affichent à l'écran du clavier de commandes situé sur le poste de contrôle. Cet écran devrait être consulté périodiquement pour s'assurer que les bonnes températures sont maintenues pendant le fonctionnement de l'appareil.

REMARQUE : Pour connaître les températures minimales, consultez l'étiquette ASSAINISSEMENT À L'EAU CHAUDE (HOT WATER SANITIZING) fixée sur le côté du poste de contrôle.

AJUSTER LA VITESSE DU CONVOYEUR

Selon le type de vaisselle en cours de nettoyage, vous pouvez ajuster la vitesse du convoyeur en appuyant sur la touche SÉLECTION DE VITESSE située sur le clavier de commandes à l'avant du poste de contrôle (Fig. 16). Lorsque vous appuyez sur la touche pour la première fois, la sélection de vitesse en cours sera affichée dans la partie inférieure de l'écran. En appuyant sur le bouton une deuxième ou troisième fois, la vitesse sera basculée vers les prochaines sélections disponibles ; *Vitesse : basse, Vitesse : moyenne, Vitesse : élevée.*

NETTOYAGE

Ce lave-vaisselle DOIT être entièrement nettoyé à la fin de chaque quart de travail ou après chaque repas. Appuyez sur la touche MARCHE (POWER) du panneau de commande pour ÉTEINDRE l'appareil. Suivez les instructions ci-dessous pour effectuer un nettoyage manuel.

Pour les machines dotées du système de nettoyage automatique, voir les instructions à la page 9. Le cycle de nettoyage automatique peut être effectué à la fin de chaque quart de travail ou après chaque repas. Il est toutefois recommandé de procéder à un nettoyage manuel une fois par semaine.

⚠ AVERTISSEMENT Déconnectez l'alimentation électrique de l'appareil et suivez les procédures de verrouillage/étiquetage. Il pourrait y avoir plusieurs circuits. Assurez-vous de déconnecter tous les circuits.

Ouvrez toutes les portes de visite de l'avant. Videz l'appareil en faisant pivoter les leviers de vidange des réservoirs vers la gauche tel qu'illustré sur les étiquettes situées au-dessus de chaque robinet de vidange des réservoirs. Les leviers de vidange sont situés au niveau du plancher à l'avant de chaque réservoir.

Retirez et nettoyez les rideaux. Avant de retirer les paniers-filtre et les bacs-filtre, nettoyez l'intérieur et les méplats des réservoirs à l'aide d'un pistolet arrosoir. Dirigez tous les débris vers les paniers-filtre en les arrosant.

Retirez les gicleurs en les soulevant pour détacher la languette de l'encoche de support. Faites glisser les gicleurs du haut vers l'avant tout en faisant pivoter l'avant vers le bas. Faites glisser les gicleurs inférieurs vers l'avant tout en les soulevant vers le haut pour permettre à l'eau de s'échapper. Retirez les gicleurs. Nettoyez-les dans un évier en ouvrant leur fermoir coulissant pour en retirer tous les résidus alimentaires.

Retirez les bacs et les paniers-filtre. Retirez aussi les paniers-filtre de la section de double rinçage. Videz les paniers dans une poubelle ou un broyeur à déchets. **NE PAS FRAPPER LES BACS OU PANIERS-FILTRE CONTRE UN OBJET SOLIDE POUR TENTER D'EN DÉLOGER LES DÉBRIS.** Récurez les bacs et paniers-filtre dans un évier.

Retirez les gicleurs de la section de double rinçage et de rinçage final et retirez les débris des buses et des gicleurs. Ne jamais utiliser de laine d'acier pour nettoyer les surfaces du lave-vaisselle. N'utilisez que des produits sécuritaires pour les surfaces en acier inoxydable.

Rincez les réservoirs au boyau d'arrosage pour retirer tous les résidus alimentaires accumulés.

Remplacez tous les gicleurs en bonne position et orientation. Assurez-vous que les buses des gicleurs soient orientées vers le bas, et que les buses des gicleurs inférieurs soient orientées vers le haut.

Pour installer les gicleurs, faites glisser les rampes sur les supports vers l'arrière de l'appareil et assurez-vous que les languettes de chaque côté des gicleurs s'insèrent dans les encoches des supports.

Remplacez les bacs et les paniers-filtre. Réinstallez les rideaux selon le schéma de disposition situé sur le poste de contrôle de l'appareil ou aux pages 14 à 15 de ce manuel. Laissez les portes de l'appareil ouvertes pour permettre à l'intérieur de s'aérer et de sécher.

Nettoyez l'extérieur de l'appareil comme tout autre appareil en acier inoxydable. Utilisez une serviette humide et de l'eau avec un savon doux.

Arrosez les corridors où se trouvent les capteurs situés du côté chargement de l'appareil (Fig. 12). Ne pas essayer de nettoyer les capteurs avec des objets métalliques car ceci pourrait les endommager.

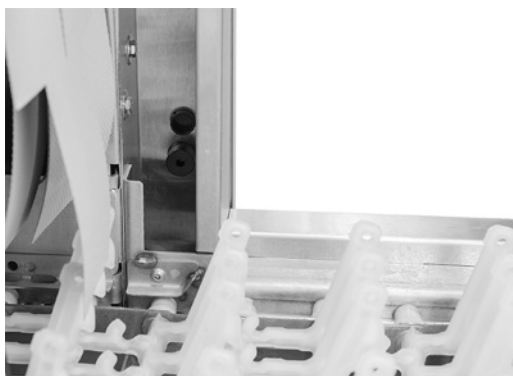


Fig. 12

Détartrage (Processus manuel pour les machines dépourvues du détartrage automatique)

Pour les machines dépourvues du détartrage automatique, suivre les étapes suivantes pour détartrer la machine manuellement.

1. Éteignez la machine (OFF).
2. Videz tous les réservoirs et retirez tous les résidus alimentaires en nettoyant les paniers et bacs filtre. Rincer l'intérieur de la machine à l'aide d'un arrosoir.
3. Désactivez le système de distribution de détergeant chimique selon les recommandations du fabricant. Ceci évite l'injection de détergeant lors du processus de détartrage.
4. Fermez tous les drains du réservoir et ré-installer les paniers et bacs-filtre.
5. Allumez la machine (ON), laisser remplir d'eau fraîche.
6. Se référer à la section PROGRAMMATION de ce manuel et ajustez le TEMPS D'ARRÊT AUTOMATIQUE à 30 minutes en accédant au MENU GESTION. Ceci permet à l'unité de procéder au cycle de détartrage pour une durée de 30 minutes sans s'arrêter. Prendre note du réglage TEMPS D'ARRÊT AUTOMATIQUE avant de l'ajuster à 30 minutes.
7. Une fois le cycle de remplissage terminé, ouvrir les portes et verser la quantité de détartrant requise dans chaque réservoir selon les instructions du fabricant en suivant leurs recommandations en terme d'équipement de protection individuelle (EPI).
8. Fermer les portes et démarrer la machine pour permettre aux pompes de rouler pendant 30 minutes aux températures d'opération normales.
9. Une fois le délai de 30 minutes écoulé et le cycle de la machine terminé, ouvrir les portes et inspecter l'intérieur pour vérifier l'absence de dépôts calcaires. S'il en reste, fermer les portes et lancer la machine pour une période supplémentaire. En fonction de l'intervalle entre les cycles de détartrage et la dureté de l'eau, la machine pourrait avoir besoin de rouler plus longtemps et/ou d'une plus grande quantité de détartrant.
10. Éteignez la machine (OFF) et vider tous les réservoirs.
11. Arrosez l'intérieur de l'unité minutieusement pour éliminer toute la solution de détartrage vers le drain.
12. Fermez tous les vidanges des réservoirs et allumer la machine (ON) pour la permettre de se remplir avec de l'eau fraîche.
13. Se référer à la section PROGRAMMATION de ce manuel et ajuster le TEMPS D'ARRÊT AUTOMATIQUE à son réglage original tel que décrit à l'étape 6 en accédant au MENU GESTION.
14. Une fois le cycle de remplissage terminé, lancer la machine et faire fonctionner les pompes pendant quelques minutes pour éliminer tout restant de détartrant du système.
15. Éteindre la machine (OFF) et drainer tous les réservoirs.
16. En suivant les recommandations du fabricant, activer le système de distribution de détergeant chimique.
17. L'unité est maintenant prête à être utilisée.

Certaines zones de la machine, telles que les sections de chargement, de rinçage final et de déchargement, pourraient encore contenir des dépôts calcaires puisqu'elles ne sont pas soumises au lavage recirculé contenant la solution de détartrage. Ces zones pourraient demander un nettoyage/détartrage manuel tel qu'indiqué ci-dessous.

NE PAS rincer ou frotter la solution de détartrage sur les surfaces extérieures de la machine puisque ceci pourrait causer de la corrosion. Si la solution de détartrage entre en contact avec l'extérieur de la machine, rincer avec de l'eau et essuyer. Toujours porter un équipement de protection individuelle (EPI) lors de l'application du détartrant en suivant les recommandations du fabricant.

1. En suivant les instructions du fabricant, préparer une solution de détartrant et d'eau et verser ou frotter la solution sur les surfaces à nettoyer.
2. Laisser tremper pendant 10 minutes. Au besoin, frotter pour éliminer les dépôts plus importants.
3. Rincez abondamment avec de l'eau fraîche.

Section d'élimination des résidus automatique (si installé)

Les machines équipées du module d'élimination des résidus automatique comprennent une section supplémentaire située immédiatement après la section de chargement de l'appareil. Lors de l'opération de la machine, la section d'élimination des résidus automatique attrape les résidus alimentaires pour les pomper vers un panier de collection externe situé sous la section de chargement de l'appareil.

Pour vider le panier de collection externe lors de l'opération de l'appareil, retirez-le, videz et remplacez. La machine continuera son opération à moins d'appuyer sur la touche STOP sur le côté de chargement, de déchargement ou au panneau de commande situé sur le boîtier de commande.

Pour nettoyer le système d'élimination de résidus alimentaires automatique, retirez le panier de collection externe situé sous la section de chargement, videz les débris, rincez le panier dans un évier et réinstallez. Retirez les bras de lavage supérieurs et inférieurs du système d'élimination de résidus alimentaire automatique. Pour retirer le bras supérieur, tirez sur l'onglet, permettez au bras de descendre et retirez. Pour retirer le bras inférieur, poussez doucement vers le haut et retirez le bras. Rincez les deux bras dans l'évier et assurez-vous que toutes les buses ne sont obstrués d'aucun débris.

Retirez le plateau de filtrage du système d'élimination de résidus alimentaires automatique et retirez la conduite verticale de collection de résidus à deux pièces (Fig. 13). Nettoyez ces composantes à l'aide d'un arrosoir dans un évier. Utilisez l'arrosoir pour rincer l'intérieur de la section d'élimination de résidus aussi.



Fig. 13

Remplacez toutes les composantes lorsque terminé. Pour replacer le conduit vertical de collection, enfoncez le bas du tuyau à l'intérieur du corps de la conduite de vidange située au fond de la cuve de la section de retrait. Placez le bac-filtre sur le dessus, en prenant note qu'il repose un peu plus haut que le réservoir. Remplacez le gicleur de lavage inférieur en suivant le rail de guidage et en poussant le tube en place dans le coupleur. Remplacez le gicleur de lavage supérieur en poussant le tube vers le haut dans le coupleur supérieur jusqu'à ce que vous entendiez un déclic.

Nettoyage automatique (si installé)

Pour lancer le cycle de nettoyage automatique, veuillez suivre les étapes ci-dessous (le texte en italique indique les messages affichés à l'écran de l'appareil) :

1. Appuyez sur la touche bleue de nettoyage automatique du clavier au panneau de commande sur le poste de contrôle.
2. *Appuyez sur ENTREE pour lancer le nettoyage automatique.*
3. L'affichage indique brièvement *Appuyez sur la touche Stop en tout temps pour interrompre le cycle d'autonettoyage* avant de procéder à l'étape 4.
4. *Fermez la vidange principale* – fermez la vanne principale de vidange manuelle située soit du côté chargement ou de déchargement de l'appareil.
5. *Ouvrez la vidange de toutes les cuves* – ouvrez tous les leviers de vidange situés en bas de chaque réservoir.
6. *Vidange des cuves en cours.* À cet instant, l'appareil évacue l'eau de ses réservoirs par la vanne automatique principale de vidange.
7. *Lavez et remplacez paniers-filtre. Ouvrez les fermoirs coulissants des gicleurs de lavage et fermez les portes, lorsque terminé, appuyez sur Entrée* – pour les appareils équipés d'une section RAS, nettoyez et remplacez la conduite verticale du collecteur de résidus et le bac filtre.
8. *Aucune autre intervention n'est nécessaire. Le cycle de nettoyage automatique dure environ 30 minutes* – l'appareil se met en mode de nettoyage automatique. Les pompes de lavage seront activées pour rincer les résidus alimentaires des bras de lavage, et des gicleurs de nettoyage automatique situés à l'arrière de chaque chambre laveront chacune des sections au dessus des bacs de filtrage.
9. *Fermez les fermoirs coulissants des gicleurs et fermez toutes les portes* – Lorsque terminé, appuyez sur Entrée.
10. *Ouvrez la vidange principale* – ouvrez la vanne de vidange manuelle principale située soit du côté chargement ou de déchargement de l'appareil.
11. *Fermez la vidange des cuves* – fermez tous les leviers de vidange des réservoirs situés en bas de chaque réservoir.
12. *Autonettoyage terminé. Appuyez sur Entrée pour remplir. Sinon l'appareil s'éteindra dans 60 secondes.*

Appuyer sur la touche STOP à n'importe quel moment du processus de nettoyage automatique met fin au cycle. L'affichage indiquera *Cycle d'auto nettoyage interrompu. Appuyez sur STOP pour annuler, ENTREE pour reprendre.* –Après avoir appuyé sur STOP pour annuler, veuillez suivre les instructions à l'écran pour préparer le cycle de lavage.

Détartrage automatique (si installé)

Pour lancer le cycle de détartrage automatique, veuillez suivre les étapes ci-dessous (le texte en italique indique les messages d'invite affichés à l'écran de la machine) :

1. Lorsque l'affichage indique *Détartrage recommandé*, veuillez vous référer à la section « PROGRAMMATION » de ce manuel lorsque vous êtes prêts à initier le cycle de détartrage. Naviguez vers le menu « ACTIONS » et faites défiler vers le bas jusqu'à « Lancer le cycle de détartrage ». Appuyez sur la touche ENTREE.
2. L'affichage indiquera brièvement *Appuyez sur la touche Stop en tout temps pour interrompre le cycle de détartrage* avant de procéder à l'étape 3.
3. *Retirez la vaisselle de la machine. Appuyez sur ENTREE lorsque terminé ou STOP pour annuler.*
4. *Insérez le boyau de la pompe de détartrant dans la solution de détartrage. Appuyez sur Entrée lorsque terminé.* Insérez le boyau de la pompe de produit de détartrage située du côté de déchargement de l'appareil dans le récipient contenant la solution de détartrant.

5. *Ouvrez la vidange de toutes les cuves – Laissez les robinets de vidange ouverts – ouvrez tous les leviers de vidange situés au bas de chaque réservoir.*
6. *Nettoyez les paniers filtres, ensuite remplacez-les. Appuyez sur Entrée lorsque terminé.*
7. *Les cuves se vident, attendre s.v.p. – une fois tous les réservoirs vides, l'écran procède à l'étape 8.*
8. *Fermez la vidange principale – fermez le robinet manuel de la vidange principale située soit du côté chargement ou déchargement de l'appareil.*
9. *Remplissage des cuves en cours, attendre s.v.p. – une fois que les réservoir se remplissent de 1 à 2 po d'eau, l'affichage procède à l'étape 10.*
10. *Versez xx gallons de détartrant dans la cuve 1. Appuyez sur Entrée lorsque terminé – l'affichage vous invite à verser la quantité de détartrant requise dans le Réservoir 1, situé près du réservoir de double rinçage en allant vers la zone de chargement de l'appareil sous l'étiquette *Delime Tank (Réservoir de détartrant).**
11. *Appuyez sur ENTREE pour démarrer le convoyeur.*
12. *Cycle de détartrage en cours. Temps approximatif avant la fin: XX:XX – l'appareil est présentement en train d'effectuer le cycle de détartrage automatique.*
13. *Détartrage automatique terminé. Appuyez sur Entrée pour remplir. Sinon, la machine s'éteindra dans 5 minutes*
14. *Ouvrez la vidange principale – après avoir fait un cycle de remplissage ou rallumé l'appareil après l'avoir éteint, ouvrez le robinet manuel de la vidange principale de l'appareil située du côté chargement ou déchargement.*
15. *Fermez le robinet de vidange de toutes les cuves – refermez tous les leviers de vidange des réservoirs situés au bas de chaque réservoir.*

En appuyant sur la touche STOP à n'importe quel moment, le cycle de détartrage sera interrompu. Si la solution de détartrage n'a pas été introduite dans le système, l'écran indiquera *Cuves rincées et prêtes pour laver. Appuyez sur Entrée pour remplir. Sinon, la machine s'éteindra dans 5 minutes.* Quand la solution de détartrage est introduite dans le système, l'écran indique *Agent de détartrage dans les cuves. Appuyez sur la touche d'Entrée pour vider et rincer les cuves. Appuyez sur STOP pour sauter le cycle de rinçage.*

QUOI FAIRE ET NE PAS FAIRE AVEC VOTRE NOUVEAU LAVE-VAISSELLE HOBART

S'ASSURER de conserver la dureté de l'eau inférieure à 3 grains par gal US (20,58 ppm).

S'ASSURER de bien pré racler la vaisselle.

S'ASSURER de n'utiliser que les détergents recommandés par votre professionnel en produits chimiques.

S'ASSURER d'effectuer un cycle de nettoyage manuel à la fin de la journée au besoin ; de nettoyer, rincer et laisser sécher l'appareil complètement (laisser les portes ouvertes).

S'ASSURER d'effectuer un cycle de nettoyage automatique à la fin de la journée (si installé) en suivant les instructions à l'écran.

S'ASSURER de n'utiliser que des produits élaborés pour l'entretien sécuritaire de l'acier inoxydable.

NE PAS utiliser de détergents formulés pour les lave-vaisselle résidentiels.

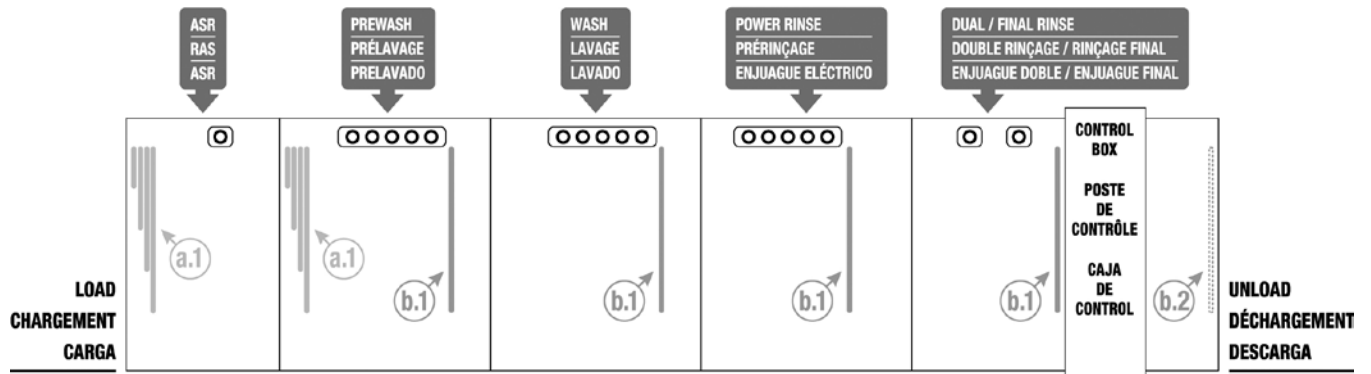
NE PAS permettre au résidus alimentaires de s'accumuler dans au fond des cuves.

NE PAS utiliser de laine d'acier pour nettoyer la vaisselle ou la surface du lave-vaisselle.

NE PAS permettre que des corps étrangers entrent dans la machine, particulièrement des contaminants métalliques.

REMARQUE : Le non-respect des instructions d'utilisation, de soin et d'entretien pourrait annuler la garantie de votre lave-vaisselle Hobart.

8' CENTER SECTION | ZONE CENTRALE DE 8 pi (2438 mm) | ZONA CENTRAL DE 8'



8' CENTER SECTION | ZONE CENTRALE DE 8 pi (2438 mm) | ZONA CENTRAL DE 8'

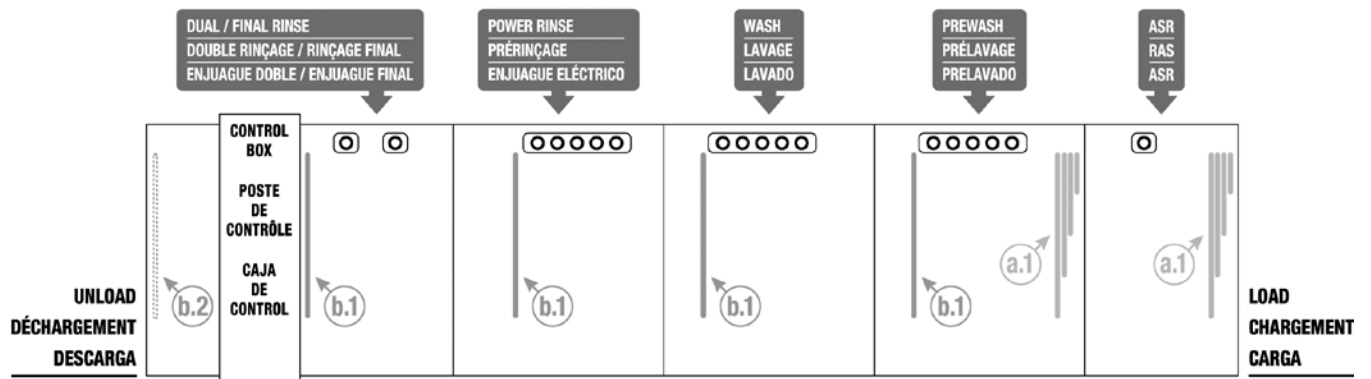
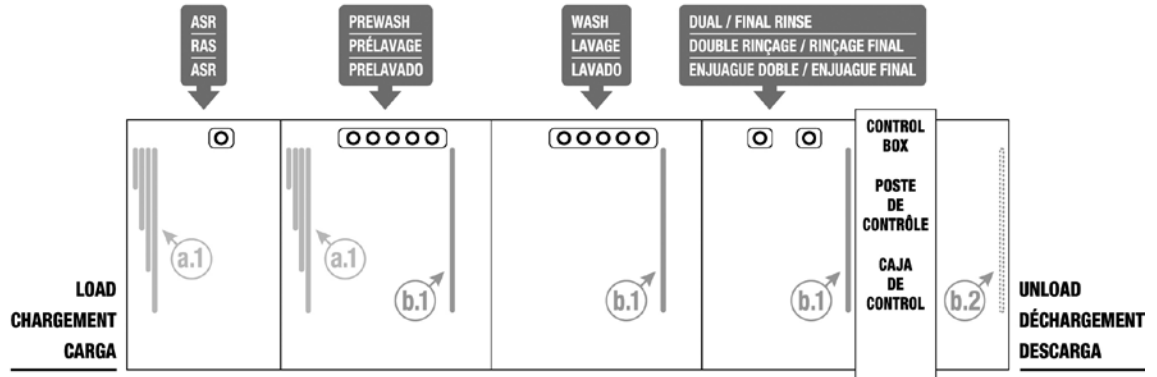


Fig. 14

LEGEND LÉGENDE LEYENDA	
(a.1)	4-PLY CURTAINS AT SECTION DIVIDERS RIDEAUX À 4 ÉPAISSEURS POUR SÉPARER LES ZONES CORTINAS DE 4 CAPAS EN LOS SEPARADORES DE SECCIÓN
(b.1)	LONG CURTAINS RIDEAUX LONGS CORTINAS GRANDES
(b.2)	CURTAIN PLACEMENT FOR UNITS WITHOUT BLOWER DRYER POSITION DES RIDEAUX SUR LES APPAREILS SANS TUNNEL DE SÉCHAGE. COLOCACIÓN DE LA CORTINA PARA UNIDADES SIN SECADOR DE AIRE

5' CENTER SECTION | ZONE CENTRALE DE 5 pi (1524 mm) | ZONA CENTRAL DE 5'



5' CENTER SECTION | ZONE CENTRALE DE 5 pi (1524 mm) | ZONA CENTRAL DE 5'

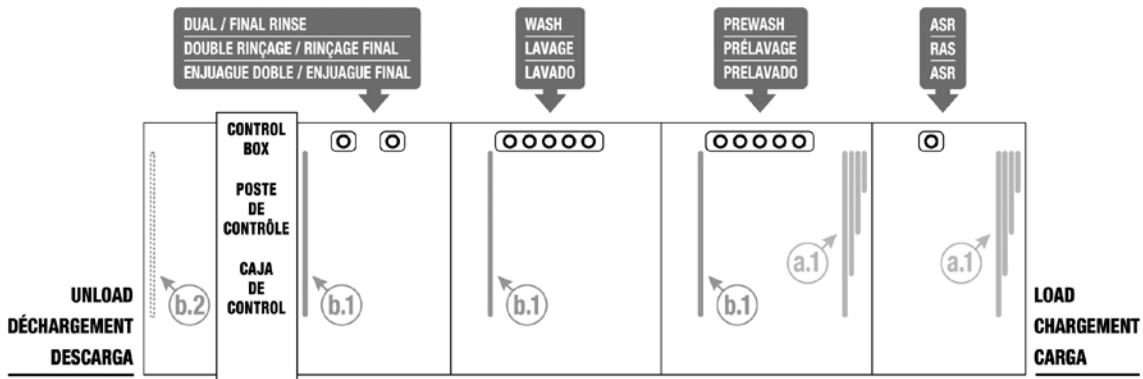


Fig. 15

LEGEND LÉGENDE LEYENDA	
a.1	4-PLY CURTAINS AT SECTION DIVIDERS RIDEAUX À 4 ÉPAISSEURS POUR SÉPARER LES ZONES CORTINAS DE 4 CAPAS EN LOS SEPARADORES DE SECCIÓN
b.1	LONG CURTAINS RIDEAUX LONGS CORTINAS GRANDES
b.2	CURTAIN PLACEMENT FOR UNITS WITHOUT BLOWER DRYER POSITION DES RIDEAUX SUR LES APPAREILS SANS TUNNEL DE SÉCHAGE. COLOCACIÓN DE LA CORTINA PARA UNIDADES SIN SECADOR DE AIRE

PROGRAMMATION

UTILISATION DE L'APPAREIL ET PROGRAMMATION DES NIVEAUX DE SÉCURITÉ

Les commandes numériques avancées de votre lave-vaisselle vous offrent plusieurs options de réglage et de personnalisation. Puisque ces options affectent le fonctionnement de l'appareil, elles ont été verrouillées à l'usine par défaut. Pour les déverrouiller afin de les modifier, la sécurité doit être élevée à un niveau approprié.

Il est recommandé de garder le lave-vaisselle à son niveau de sécurité le plus bas en tout temps. Ceci empêche la modification des options, intentionnelle ou non, au de ce qu'on attend ou de ce qui est acceptable. Le niveau de sécurité retourne à son niveau le plus bas (soit Utilisateur ou SuperUtilisateur, tel que décrit ci-dessous) lors d'une des situations suivantes :

1. Aucune touche du clavier n'est enfoncée pendant 10 minutes ou plus.
2. L'appareil est mis en mode de veille en appuyant sur la touche MARCHE (POWER).
3. Un code de sécurité invalide est saisi à l'écran « ENTRER VOTRE CODE SÉCURITÉ. »

Les noms et les descriptions des niveaux de sécurité sont listés ci-dessous à partir du niveau le plus faible jusqu'au plus élevé. Un niveau de sécurité plus élevé comprend toutes les options des niveaux inférieurs en plus de quelques options supplémentaires, tel que décrit ci-dessous.

REMARQUE : Le niveau de sécurité n'affecte pas, en tant que tel, le fonctionnement de la machine ou l'utilisation des touches ou boutons de Marche, d'arrêt ou d'alimentation (Start, Stop ou Power). Toutes ces fonctions de base sont disponibles à n'importe quel niveau de sécurité.

Utilisateur – O

Le niveau de sécurité de base est activé par défaut lorsque l'unité est allumée tel que réglé initialement à l'usine. Aucun code de sécurité n'est requis pour accéder à ce niveau de sécurité. Ce niveau ne permet que la saisie du code de sécurité pour modifier le niveau courant à un niveau plus élevé.

Super Utilisateur – SO

Ce niveau de sécurité peut être activé à l'aide du Menu de gestion (Gestion → Paramètres d'opération → Accès du SuperUtilisateur). Une fois activé, le « SuperUtilisateur » sera ajouté en tant qu'option lorsqu'on appuie sur le bouton Menu (dans le « Menu Principal »). Un code de sécurité n'est PAS requis pour accéder au menu du SuperUtilisateur une fois qu'il est activé. Le menu du SuperUtilisateur permet offre l'accès à quelques fonctions avancées ; comme l'initiation du Détartrage automatique, la revue du journal d'erreurs et le changement de la langue affichée. Une liste détaillée des fonctions du SuperUtilisateur est affiché dans le menu des paramètres.

Gestion – M

Le plus haut niveau de sécurité disponible à l'opérateur. Il demande le code de Gestionnaire pour élever le niveau de sécurité à Gestion.

Ce niveau de sécurité offre un accès sans restriction à toutes les options du menu des paramètres. Pour cette raison, il est recommandé d'éteindre et rallumer l'appareil lorsque l'accès à ces options n'est plus effectivement nécessaire.

Le code de sécurité du niveau gestion peut être changé par l'administrateur des cuisines ou par quiconque possède le code du niveau gestion. Le code par défaut est inscrit dans la section « Accéder au menu des paramètres de fonctionnement. » Il est recommandé de modifier la valeur par défaut de ce code et de le rendre uniquement disponible aux administrateurs de la cuisine. Si le code est perdu ou oublié, il peut être réinitialisé par le service technique de Hobart.

REMARQUE : La réinitialisation du code de gestion n'est pas comprise dans la garantie de base ou prolongée.

INSTRUCTIONS DE PROGRAMMATION POUR L'UTILISATEUR

Le lave-vaisselle est équipé de commandes numériques qui permettent une plus grande précision pour le nettoyage des articles de vaisselle, pour le maintien des températures des réservoirs et pour d'autres fonctions avancées. Certaines de ces fonctions sont personnalisées pour répondre aux besoins des opérations de votre cuisine.

Toutes les personnalisations sont effectuées à partir du menu à l'écran à l'aides des touches fléchées vers le HAUT, BAS/MENU, les touches ENTRÉE, et STOP/RETOUR du clavier de commande sur la porte du poste de contrôle (Fig. 16).

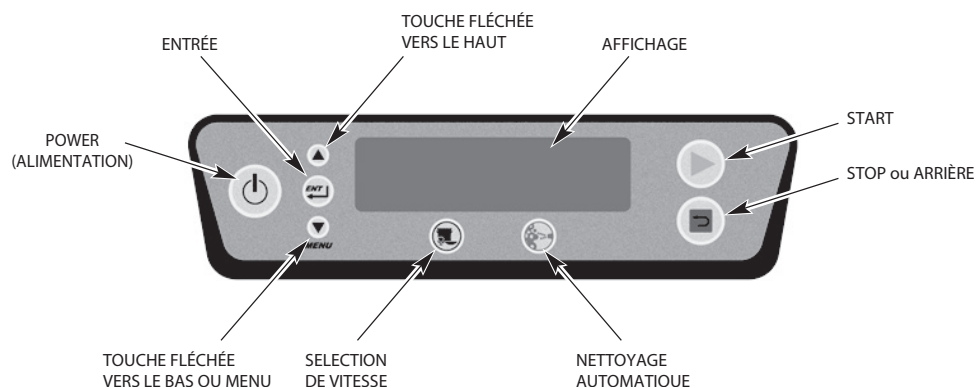


Fig. 16

COMMANDES DU MENU

Les commandes suivantes sont utilisées à l'intérieur des menus.

- Les touches de déplacement vers le HAUT et le BAS sont utilisées pour changer les valeurs des paramètres et naviguer dans le menu.
- La touche ENTRÉE est utilisée pour accepter une valeur, effectuer une action spécifique ou accéder à un menu secondaire.
- La touche RETOUR vous ramènera toujours vers le menu précédent.
- Le texte à droite du symbole « > » à l'écran affiche l'action ou la commande qui sera exécutée en appuyant sur la touche ENTRÉE.

ACCÉDER AU MENU DE GESTION

Pour accéder au menu de gestion:

1. Appuyez sur la touche MENU à partir de l'écran principal. Ceci vous amènera au *Menu principal*.
2. Si le symbole « > » est à gauche de *gestion (Manager)*, appuyez sur la touche ENTRÉE. Ceci vous conduira à l'écran *Entrer votre code de sécurité*.
3. Vous êtes invités à saisir avec quatre asterisques [****].
4. Utilisez les touches de déplacement vers le HAUT et BAS pour changer les chiffres du code de sécurité à leur valeur appropriée*.

*Le code de sécurité par défaut pour accéder à la programmation de gestion est 1001. Ce code, une fois connu, peut être changé par n'importe qui et il est recommandé d'en modifier la valeur par défaut. Si le code a été perdu, il peut être réinitialisé par le service technique de Hobart.

REMARQUE : La réinitialisation du code n'est pas comprise dans votre garantie, initiale ou prolongée.

5. Appuyez sur la touche ENTRÉE pour vous diriger vers le prochain chiffre vers la droite.
6. Répétez les étapes 4 et 5 pour chacun des chiffres.
Après avoir appuyé sur ENTRÉE au quatrième chiffre, vous serez transféré au *Menu Gestion*.
7. Appuyez sur les touches de déplacement vers le HAUT et BAS jusqu'à ce que le symbole « > » se retrouve à gauche de l'option désirée et ensuite, appuyez sur la touche ENTRÉE. Les options de Gestion sont : *À propos de la machine, Fonctions, Journaux, et Paramètres de fonctionnement*.

ÉCRAN À PROPOS DE LA MACHINE

L'écran de l'état de la machine affiche les informations suivantes ; *Modèle de la machine, Révision de la carte de contrôle, Révision de la carte des relais, Version du logiciel, Mode d'assainissement, et Numéro du service de l'entretien*.

MENU DES ACTIONS

Le menu *des actions* offre les options suivantes :

- *Changer le code du gestionnaire* : Permet de modifier la valeur par défaut du code de sécurité.
- *À-coups arrière* : Permet que le convoyeur soit mis en marche arrière par à-coups s'il se coince. En accédant à ce mode, le message suivant sera affiché:

Assurez-vous que personne ne soit près du convoyeur. Appuyez sur le bouton du côté supérieur du poste de contrôle tout en appuyant sur Entrée.

*> Quitter sans recul par à-coups
Recul du convoyeur par à-coups*

Pour faire reculer le convoyeur par à-coups, il faut que le symbole « > » soit présent à gauche de *Recul du convoyeur par à-coups*, ensuite, appuyez sur le bouton ENTRÉE tout en appuyant sur le bouton vert situé derrière le haut de la porte du poste de contrôle (Fig. 17).



Fig. 17

- *Exécuter un cycle de détartrage* : démarre le cycle de détartrage automatique, voir toute la procédure à la page 37 de ce manuel pour la procédure.
- *Régler la date et l'heure* : accédez à cet écran pour régler la date et l'heure

MENU JOURNAUX

Accéder au menu *Journaux* vous offre les options suivantes :

- *Compteur de détartrage* : Affiche le temps restant avant d'afficher la recommandation de détartrage. Permet aussi de ramener *le compteur de détartrage à zéro*.
- *Journal des erreurs et des avis* : Affiche les erreurs précédentes ainsi que la date et l'heure où elles sont survenues.
- *Statistiques* : En accédant à l'écran Statistiques vous permet de consulter les informations suivantes ; *Temps en service, % du temps de travail, Temps de rinçage et Temps de remplissage*.

MENU DES PARAMÈTRES DE FONCTIONNEMENT

REMARQUE : Les paramètres peuvent être changés lorsque l'écran est actif, c'est à dire lorsque l'appareil est soit en fonction, soit en mode de veille.

Nous croyons chez Hobart que les réglages par défaut implantés à l'usine sont acceptables pour la majorité des exploitations alimentaires. Il y a cependant des cas où les administrateurs des cuisines aimeraient changer une ou plusieurs options, le menu des paramètres permet d'effectuer ces changements.

Dans le menu Paramètres, l'administrateur (ou dans certain cas, l'utilisateur) peut modifier les paramètres par défaut. La structure du menu et la description de chaque option sont définis ci-dessous. Veuillez contacter le service de l'entretien de Hobart si vous n'êtes pas sûr comment vous pouvez changer ces réglages ou ne savez pas trop le ou lesquels modifier.

Le menu des paramètres donne le nom du paramètre, une courte description, une liste des valeurs disponibles pour ce paramètre, sa valeur par défaut selon le modèle de lave-vaisselle et le niveau de sécurité requis pour accéder à ce paramètre.

MENU DES PARAMÈTRES

Nom du paramètre	Description	Valeurs possibles	Valeur par défaut	Sécurité Requise
Auto nettoyage, mode démo	Active ou désactive le mode de démonstration d'auto nettoyage. Lorsqu'activé, ce mode permet la démonstration du cycle d'autonettoyae à des fins de formation sans avoir à effectuer un cycle complet.	Désactivé Activé	Désactivé	M
Temps d'arrêt automatique	Minuterie réglable pour déterminer le moment d'éteindre les pompes et le convoyeur quand il n'y a pas de vaisselle dans l'appareil.	1 – 30 mins	6 mins	SO
Convoyeur, vitesse élevée	Règle la vitesse la plus élevée du convoyeur lorsque l'utilisateur appuie sur le bouton de sélection de vitesse sur le clavier pour la changer à : Élevée	4.0-8.5	8.5 pied/min	M
Convoyeur, basse vitesse	Règle la plus basse vitesse du convoyeur lorsque l'utilisateur appuie sur le bouton de sélection de vitesse sur le clavier pour la changer à : Basse..	4.0-8.5	4.0 pied/min	M
Convoyeur, vitesse moyenne	Règle la vitesse du convoyeur à sa vitesse moyenne lorsque l'opérateur appui sur le bouton de sélection de vitesse sur le clavier pour la changer à : Moyenne	4.0-8.5	6.3 pied/min	M
Détartrage, quantité cuves principales	Règle le nombre de gallons de produit de détartrage requis par cuve.	0.0 – 2.0	0.50	M

Détartrage, dureté de l'eau	Saisie de la dureté de l'eau qui permet au logiciel de déterminer le moment de détartre la machine.	0 – 250	0	M
Détartrage, concentration	Règle la concentration du détartreur pour le rinçage final et le surchauffeur.	1.5% 3.0%	3.0%	SO
Détartage, mode démo	Active ou désactive le mode de démonstration de détartage automatique. Lorsqu'activé, ce mode permet la démonstration du cycle de détartage à des fins de formation sans avoir à effectuer un cycle au complet.	Désactivé Activé	Désactivé	M
Désactivation du séchoir après activation du contact de fin de course	Règle la période (en secondes) avant que le séchoir ne s'éteigne après qu'une particule active le contact de fin de course.	0-60 secondes	60 secondes	M
Intervalle, eau usée	Règle la période (en heures) avant que l'alerte de rinçage ne s'affiche. Cette option n'est disponible que lorsque le mode Eau usée est réglé à « Alerte » ou « Alerte + Verrouillage ».	1 – 6 heures	4 heures	M
Mode, eau usée	<p>Peut être activé pour indiquer que l'eau est usée et pourrait devoir être changée. Surveille le temps où le rinçage final est activé et quand le temps d'activation excèdera un niveau de temps définissable par l'utilisateur, un message s'affichera. Le message ne se désactivera pas tant qu'un changement d'eau ne sera pas produit en vidangeant tous les réservoirs de l'appareil.</p> <p>Il y a trois modes différents. Désactivé : Ignore l'eau usée. Alerte : affiche « Changement d'eau requis » après une certaine période d'opération mais n'exige pas de nouveaux remplissages. Alerte + Verrouillage : Affiche « Changer l'eau bientôt » pendant 5 minutes après une certaine période d'opération ; ensuite « Changement d'eau requis » s'affiche et l'appareil ne peut être utilisé jusqu'à ce que tous les réservoirs aient été vidangés et remplis de nouveau.</p>	Désactivé Alerte Alerte + Verrouillage	Désactivé	M
Désactiver lorsque le drain est ouvert	Si activé, prévient l'opération de la machine si un des drain est ouvert.	Désactivé Activé	Désactivé	M
Durée, économie d'énergie	Après une période d'inactivité, la commande initie le mode d'économie d'énergie : Toutes les composantes de lavage sont désactivées et l'écran du clavier s'atténue, affichant « Éco énergie act. ». Pour quitter le mode d'économie d'énergie, appuyez sur le bouton STOP sur le clavier. Vous pouvez aussi appuyer sur le bouton POWER pour éteindre l'appareil. Si de la vaisselle se trouve dans l'appareil, le mode d'économie d'énergie ne s'activera pas.	1 – 6 heures	2 heures	M

Sélection du langage	Active ou désactive l'aptitude de l'utilisateur à changer la langue affichée	Désactivé Activé	Désactivé	SO
Alarme, basse température RF	Active ou désactive l'alarme visuelle qui indique que la température du rinçage final est en dessous du minimum NSF requis de 180°F (82°C). Lorsqu'activé, un message s'affichera informant l'utilisateur de cette condition. Toutefois, le fonctionnement de la machine ne changera pas et la vaisselle continuera à passer normalement dans la machine. Si elle est désactivée, il n'y aura pas de message signalant une basse température. Toutefois, la température de l'eau du rinçage final sera quand même affichée.	Désactivé Activé	Désactivé	M
Langue première	Cette option règle la langue par défaut affichée à l'écran.	Anglais Français Espagnol	Anglais	SO
Brassage du réservoir	Active ou désactive le mode de brassage du réservoir qui active les pompes pendant 15 secondes pour chaque 15 minutes d'inactivité pour garder les chambres de la machine chaudes.	Désactivé Activé	Désactivé	M
Accès, superUtilisateur	Active ou désactive le niveau d'accès « SuperUtilisateur ». Lorsqu'activé, ceci permet à n'importe quel utilisateur de modifier les valeurs du menu des paramètres exigeant le niveau d'accès SO sans avoir à saisir un code d'accès. Lorsque désactivé, la seule opération permise à un utilisateur est de saisir le code de sécurité et de quitter le menu. Aucun paramètre ne peut être modifié.	Désactivé Activé	Désactivé	M
Brassage des réservoirs	Active ou désactive le mode de brassage des réservoirs qui fait tourner les pompes pendant 15 secondes pour chaque 15 minutes de temps d'inactivité pour garder les sections de la machine chaudes.	Désactivé Activé	Désactivé	M
Alarme, température des cuves	Affiche un message lorsque la température d'un réservoir tombe sous le minimum requis pendant plus de 10 minutes. Quand la température s'élève au-delà du minimum requis, le message s'efface.	Désactivée Activée	Désactivée	M
Unités de température	Règle l'affichage de la température en °F ou °C.	F C	F	SO

ENTRETIEN

⚠ AVERTISSEMENT Déconnectez l'alimentation électrique à l'appareil et suivez les procédures de verrouillage/étiquetage. Il pourrait y avoir plusieurs circuits. Assurez-vous que tous les circuits sont déconnectés.

FILTRES DES CONDUITES

Les filtres des conduites de vapeur ou d'eau devraient être nettoyés une semaine après l'installation de l'appareil et ensuite périodiquement.

LUBRIFICATION

Une liste de lubrifiants acceptables ainsi que les produits lubrifiants eux-mêmes sont disponibles chez votre bureau de services technique Hobart de votre région.

Moteurs

Tous les moteurs sont dotés de roulement étanches et n'exigent pas de lubrification.

Moteur à engrenages du convoyeur

À tous les six mois, vérifiez le niveau d'huile du moteur à engrenage du convoyeur situé sous la sortie de l'appareil en dévissant le bouchon de remplissage du carter d'engrenages (Fig. 18). Le niveau devrait être sous le bouchon de l'orifice de remplissage. On peut drainer le carter d'engrenages en retirant le bouchon de vidange (Fig. 18) pour récupérer et recycler l'huile. Après avoir revissé le bouchon de vidange, n'utilisez que le produit Shell Omala S2 G220 pour remplacer l'huile ou en combler le niveau.

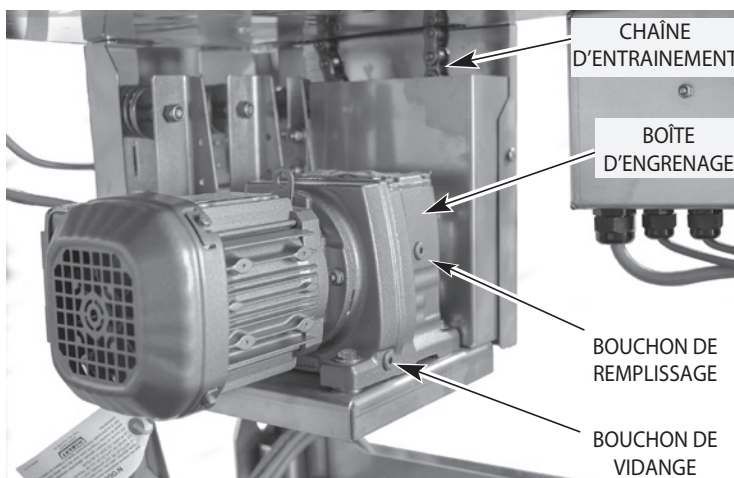


Fig. 18

Chaîne de d'entraînement du convoyeur

Inspectez la chaîne de d'entraînement (Fig. 18) régulièrement et lubrifiez-la au besoin avec l'huile SFGO Ultra (fournie).

Dispositif de tension du convoyeur

Lubrifiez les deux vis d'ajustement du dispositif de tension du convoyeur (Fig. 20) situées du côté chargement de l'appareil au moins deux fois par années avec de la graisse Chevron FM, fournie à cet usage.

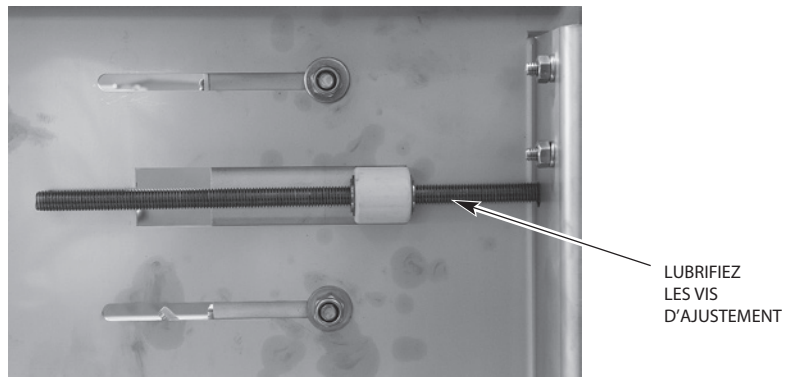


Fig. 19

DÉPANNAGE

DÉPANNAGE

Symptôme	Cause possible REMARQUE : Si le(s) symptôme(s) persistent après avoir vérifié les causes possibles, veuillez contacter le services de l'entretien de Hobart.
L'appareil ne fonctionne pas après avoir appuyé sur le bouton de Marche (Start)	<ol style="list-style-type: none"> 1. Porte(s) d'inspection mal fermée(s). <i>Porte(s) ouverte(s)</i> s'affiche à l'écran. 2. Le convoyeur pourrait être coincé. 3. Vérifiez les leviers de vidange pour s'assurer qu'ils soient fermés. Vérifiez les réservoirs pour vous assurer qu'ils soit pleins. 4. Fusible grillé ou disjoncteur déclenché au panneau d'alimentation électrique.
La vaisselle n'est pas propre	<ol style="list-style-type: none"> 1. Préfrottage insuffisant ou l'eau des réservoirs devrait être changée. 2. Fermoirs coulissants des gicleurs de lavage en position ouverte. 3. Obstruction des gicleurs de lavage. 4. Perte de pression d'eau en raison d'obstructions dans l'une des pompe. ⚠ AVERTISSEMENT Déconnectez l'alimentation électrique à l'appareil et suivez les procédures de verrouillage/étiquetage. Il pourrait y avoir plusieurs circuits. Assurez-vous qu'ils soient tous déconnectés. 5. Température de l'eau inadéquate. Vérifiez le disjoncteur du chauffage électrique, ou la vanne de vapeur principale. Assurez-vous que la vanne soit complètement ouverte. 6. Dosage du détergent incorrect. Contactez votre représentant de produits chimiques. 7. Gicleurs de lavage installés incorrectement. 8. Vaisselle chargée incorrectement. 9. Sur les appareils équipés d'une section de retrait automatique des salissures, assurez-vous que le filtre et la conduite verticale de collection de résidus ne sont pas obstrués.
Taches sur la vaisselle	<ol style="list-style-type: none"> 1. Vaisselle chargée incorrectement. 2. Température de rinçage final inadéquate (minimum 180°F [82°C]). 3. Dosage du détergent et/ou du produit de rinçage incorrects. Contactez votre représentant de produits chimiques. 4. Dureté de l'eau incorrecte (3 grains/20,5 ppm ou moins par gal US recommandé). 5. Buse(s) de rinçage obstruées. 6. Gicleurs de rinçage incorrectement alignés. Les gicleurs de rinçage devraient être positionnés de manière à ce qu'il soient alignés avec le coupleur sur le mur de la chambre. 7. De l'eau s'échappe par le joint torique du manifold gicleur de rinçage.
Rinçage inadéquat	<ol style="list-style-type: none"> 1. Filtre de conduite sale obstruant le passage de d'eau. Fermez l'eau, dévissez le bouchon du filtre, retirez et nettoyez le tamis. 2. Le(s) gicleur(s) rinçage ne sont pas correctement inséré dans les coupleurs. 3. Buses du double rinçage obstruées, nettoyez les buses. 4. Bac-filtre du réservoir de double rinçage obstrué, nettoyez le bac-filtre.
Le rinçage ne cesse pas de fonctionner	<ol style="list-style-type: none"> 1. Les senseurs photoélectriques sont bloqués. Nettoyez les canaux où les senseurs sont fixés (Fig. 20). 2. Retirez les panneaux verticaux du côté chargement de la machine, adjacents à la chambre de pré-lavage ou de retrait automatique des salissures. L'appareil étant alimenté, vérifiez les indicateurs sur le capteur (Fig. 21) pour voir s'ils s'allument et s'éteignent lorsque vous masquez et démasquez le capteur. 3. Circuit de la pompe de rinçage défectueux. Contactez le service de l'entretien de Hobart.

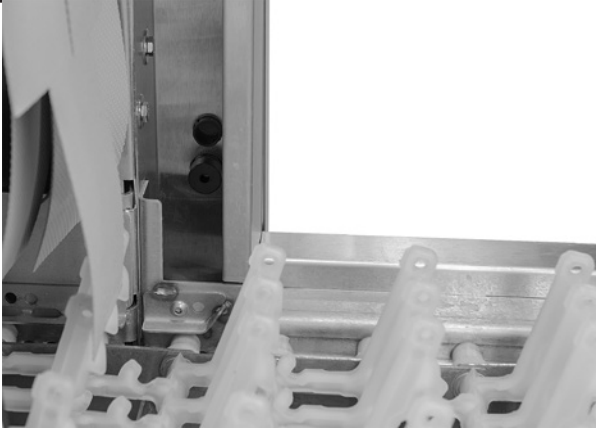


Fig. 20



Fig. 21

Réservoirs ne chauffent pas

1. Les dispositifs de sécurité de bas niveau d'eau ont coupé le chauffage. Vérifiez le niveau d'eau.
2. Flotteur(s) inférieur(s) ne se déplacent pas librement.
3. Le(s) disjoncteur(s) au système de chauffage ont sautés (chauffage électrique).
4. Les vannes d'alimentation en vapeur ne sont pas ouvertes complètement ou la pression est trop faible (chauffage à la vapeur).
5. La protection contre les surtempérature s'est déclenchée (chauffage électrique). Contactez le service de l'entretien de Hobart.
6. Élément de chauffage défectueux (chauffage électrique). Contactez le service à l'entretien de Hobart.
7. Le purgeur à flotteur ouvert ne fonctionne pas correctement (chauffage à la vapeur). Contactez le service de l'entretien de Hobart.
8. Électrovanne(s) de vapeur défectueuse(s) (chauffage à la vapeur). Contactez le service de l'entretien de Hobart.

Aucun remplissage, ou remplissage lent

1. Porte(s) ouverte(s).
2. Levier(s) de vidange ouvert(s).
3. La vanne d'alimentation d'eau principale pourrait être fermée.
4. Les flotteurs de remplissage supérieurs ou inférieurs ne bougent peut-être pas librement.
5. Filtre de conduite encrassé (Fig. 22) obstruant le passage de l'eau. Coupez l'alimentation en eau, dévissez le bouchon du filtre, retirez et nettoyez le tamis.
6. Problème avec la vanne solénoïde, contactez le service de l'entretien de Hobart.
7. Pression d'eau faible.

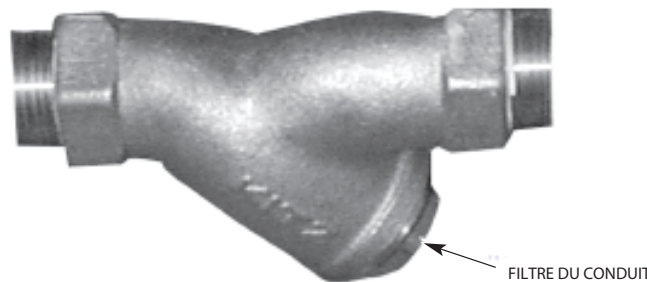


Fig. 22

Pas de chauffage dans le séchoir (Séchoir électrique)	<ol style="list-style-type: none"> 1. Le(s) moteur(s) de soufflerie du séchoir est (sont) défectueux. 2. Les disjoncteurs des éléments du séchoir se sont déclenchés. 3. La protection contre la surchauffe s'est déclenchée ; le témoin rouge de surchauffe est allumé. Contactez Hobart .
Pâs de chauffage dans le séchoir (Séchoir à vapeur)	<ol style="list-style-type: none"> 1. Le(s) moteur(s) de soufflerie du séchoir est (sont) défectueux. 2. L'électrovanne de vapeur ne fonctionne pas correctement. 3. Le robinet d'alimentation de la vapeur n'est pas entièrement ouvert ou la pression est trop faible. 4. Purgeur à flotteur ouvert défectueux.

Affichage à l'écran	Solution possible
Porte(s) ouverte(s)	Fermez toutes les portes de visite.
Leviers de vidange des cuves ouverts	Fermez tous les leviers de vidange des réservoirs.
Retirez la vaisselle	Retirez tous les articles de vaisselle de la section de déchargement de l'appareil, en commençant par les articles les plus près des du tunnel de la machine. Retirez les articles touchant le contact de fin de course en dernier.
Erreur sonde– [Nom du réservoir]	Assurez-vous que le dispositif du flotteur inférieur dans le réservoir indiqué ne soit pas visiblement endommagé et qu'il y ait un niveau d'eau assez élevé pour couvrir le flotteur inférieur.
Temp basse, rinçage final	<ol style="list-style-type: none"> 1. Assurez-vous que le disjoncteur du surchauffeur du rinçage final est activé et n'est pas déclenché (si installé). 2. Assurez-vous que le disjoncteur du circuit de protection du surchauffeur du rinçage final ne s'est pas déclenché (si installé). 3. Assurez-vous que l'eau du bâtiment alimentant le surchauffeur du rinçage final soit à la température minimale spécifiée par Hobart. 4. Si le système de contrôle de la température doit être ajusté, ou en cas de défaillance du surchauffeur, contactez le bureau du service de l'entretien Hobart de votre région.
Vérifier le niveau de l'eau	<ol style="list-style-type: none"> 1. Assurez-vous que tous les leviers de vidange sont fermés et sans obstruction. 2. Vérifiez que le robinet d'alimentation en eau est ouvert. 3. Ouvrez les portes de visite et vérifiez le niveau d'eau de tous les réservoirs. Le niveau d'eau devrait se tenir environ à 1 pouce (25 mm) ou moins sous le bac-filtre ou plus haut. Fermez toutes les portes de visite. 4. Si les réservoirs ne se remplissent toujours pas après 20 minutes, contactez le service de l'entretien de Hobart.

ÍNDICE

FUNCIONAMIENTO	4
Preparación del lavavajilla – Revise antes de poner en funcionamiento	4
Llenado del tanque	5
Lavado de la vajilla	6
Vacíe los canastos coladores, si es necesario	7
Carga	7
Descarga	8
Temperaturas mínimas recomendadas	8
Ajuste de velocidad de la cinta transportadora	8
LIMPIEZA	8
Eliminación de sarro (proceso manual para lavavajilla sin eliminación automática de sarro)	10
Sección para extracción automática de suciedad (si está incluida en el equipo)	11
Limpieza automática (si está incluida en el equipo)	12
Eliminación automática de sarro (si está incluida en el equipo)	12
Qué hacer y qué no hacer con su nueva lavadora de vajilla Hobart	13
Cortinas, modelos FT1000, FT1000-ER, FT1000-ER-BD y FT 1000-ADV	14
Cortinas, modelos FT1000S, FT1000S-ER y FT1000S-ER-BD	15
PROGRAMACIÓN	16
Funcionamiento del lavavajilla y programación de niveles de seguridad	16
Operador – O	16
Superoperador – SO	16
Manager – M	17
Instrucciones de programación para el usuario	17
Avisos en pantalla del menú	18
Ingreso al menú Managers	18
Pantalla About (acerca de)	18
Menú Actions (acciones)	19
Menú Logs (registros)	19
Menú Operation Parameters (parámetros operativos)	20
MANTENCIÓN	23
Coladores en línea	23
Lubricación	23
Motores	23
Motorreductor de la cinta transportadora	23
Cadena de transmisión de la cinta transportadora	23
Unidad de tensión de la cinta transportadora	24
SOLUCIÓN DE PROBLEMAS	25

Funcionamiento y cuidados del LAVAVAJILLAS SERIE FT1000 GUARDE ESTAS INSTRUCCIONES

FUNCIONAMIENTO

PREPARACIÓN DEL LAVAVAJILLA – REVISE ANTES DE PONER EN FUNCIONAMIENTO

Abra las puertas del lavavajilla y asegúrese de que todas las piezas se encuentran en su posición correcta de funcionamiento antes de iniciar la operación.

- Todas las bandejas coladoras y los canastos para desechos deben estar correctamente instalados en cada sección (Figura 1).

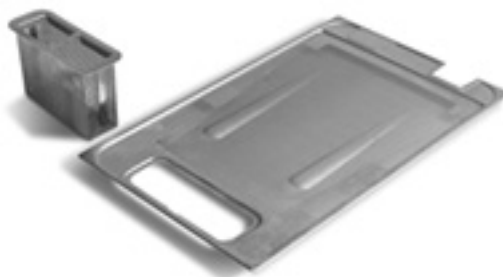


Figura 1

- El canasto externo para desechos se debe instalar de manera adecuada bajo la carga del lavavajilla (Figura 2).



Figura 2

- Todos los brazos de lavado superiores e inferiores deben estar correctamente instalados en cada sección. Los dispositivos deslizables de los brazos de lavado también deben estar en su lugar en posición cerrada (Figuras 3 y 4).



Figura 3



Figura 4

- Los brazos del doble enjuague y del enjuague final deben estar correctamente instalados (Figuras 5 y 6).



Figura 5



Figura 6

- Los brazos del doble enjuague y del enjuague final deben estar correctamente instalados (Figuras 7 y 8).



Figura 7

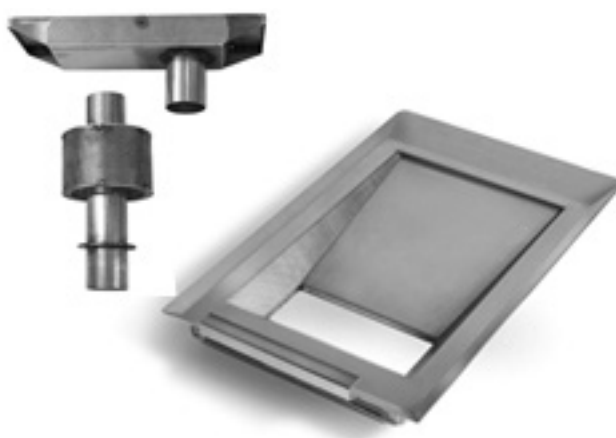


Figura 8

- Todas las cortinas deben estar instaladas correctamente tal como se muestra en las páginas 14 y 15 de este manual.
- Todos los desagües del tanque deben estar en posición cerrada. El desagüe principal debe estar en posición abierta (solo para lavavajilla equipado con limpieza y eliminación de sarro automáticas).

LLENADO DEL TANQUE

Todas las válvulas de alimentación de agua (y de vapor, si corresponde) deben estar abiertas y el suministro eléctrico encendido antes de que el lavavajilla comience a funcionar. Cierre todos los desagües y las puertas. Las manillas del desagüe se encuentran cerca del suelo en la parte delantera de cada tanque. Gírelas a la derecha para cerrarlo y a la izquierda para abrirlo. Para lavavajillas equipados con limpieza y eliminación de sarro automáticas, abra el desagüe principal ubicado en el extremo de carga o de descarga de la unidad. Gire la manilla del desagüe principal a la derecha para abrirlo y a la izquierda para cerrarlo.

Presione el botón Power en el teclado ubicado en la puerta de la cajuela de control (Fig. 9). La pantalla se encenderá.



Figura 9

Si alguna puerta no está cerrada, la pantalla muestra Door(s) Open (puerta abierta). Si los desagües no están cerrados, la pantalla muestra Drain(s) Open (desagüe abierto). Si todas las puertas y desagües están cerrados, la pantalla muestra Tank(s) Filling (llenado de tanques) y estos comienzan a llenarse.

NOTA: si una puerta se abre durante el ciclo de llenado, las válvulas correspondientes se apagan y la pantalla muestra Door(s) Open. Cierre la puerta para continuar con el ciclo de llenado. La pantalla muestra Tanks Filling (llenado de tanques).

Una vez que el nivel del agua eleva el flotador inferior en cada tanque, los tanques de lavado, de enjuague y de doble enjuague comienzan a calentarse. Cuando todos los tanques estén llenos, las válvulas de llenado se apagarán automáticamente y la pantalla mostrará la temperatura del agua para cada tanque.

La opción Maintenance Fill (llenado de mantención) permite agregar agua a los tanques para mantener los niveles apropiados durante el funcionamiento. Si el nivel de agua desciende por debajo del flotador inferior en cualquier tanque, el calentador se apaga y se reinicia el llenado en el tanque afectado. Cuando el nivel de agua alcanza el flotador inferior, el calentamiento se reanuda mientras el tanque continúa llenándose hasta alcanzar el nivel de agua apropiado.

LAVADO DE VAJILLA

Encienda los motores de la cinta transportadora, de las bombas y del secador de aire (si está incluido en el equipo) presionando el interruptor verde START ubicado en el extremo de carga o de descarga del lavavajilla (Fig. 10) o en el teclado que se encuentra en la parte delantera de la cajuela de control (Fig. 11). El lavavajilla funcionará solo si los tanques se han llenado hasta el nivel apropiado y todas las puertas están cerradas. Presione el interruptor rojo STOP (Fig. 10 u 11) para detener los motores de la cinta transportadora, de las bombas y del secador de aire.

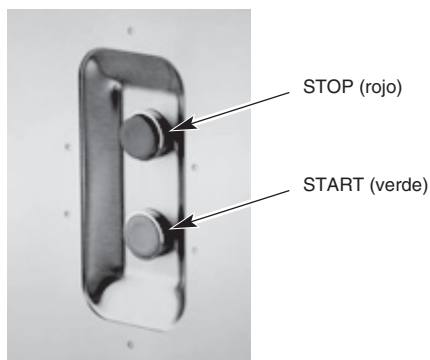


Figura 10



Figura 11

La temperatura de todos los tanques se muestra en la pantalla del teclado cuando el lavavajilla está funcionando. La temperatura del enjuague final se lee "---" hasta que la vajilla llega a la zona de enjuague. Cuando esto sucede, la pantalla muestra la temperatura del agua en el enjuague final. Una vez que la vajilla sale de la zona de enjuague, la temperatura del enjuague final nuevamente se lee "---".

Si la vajilla alcanza el extremo de descarga y activa el interruptor de final de carrera, la cinta transportadora y el enjuague final se detienen. La pantalla del teclado muestra las temperaturas del tanque y además en el borde inferior se lee Unload Dishes (descargar vajilla). Una vez que ha retirado la vajilla y el final de carrera vuelve a la posición de funcionamiento, se reanuda la operación de forma normal. Si la vajilla no se descarga, el temporizador automático de final de carrera contará de manera regresiva durante un minuto y luego apagará las bombas y el soplador de aire (si está incluido en el equipo). La pantalla continuará mostrando las temperaturas del tanque y el texto Unload Dishes.

Si no ingresa vajilla durante un cierto tiempo preestablecido, el temporizador automático apagará de inmediato el lavavajilla y los tanques continuarán manteniendo la temperatura requerida. Para reanudar el funcionamiento, presione el interruptor verde START ubicado en el extremo del lavavajilla o sobre el teclado que se encuentra en la parte delantera de la cajuela de control.

NOTA: la configuración para apagar el temporizador automático se puede ajustar como se muestra en el menú Parameters (página 20). El rango es de 1 a 30 minutos.

Vacíe los canastos coladores, si es necesario

Los canastos coladores pueden acumular restos de alimento durante la operación lo que afectará el funcionamiento del lavavajilla. Por esto es necesario vaciarlos periódicamente. DETENGA la máquina y abra las puertas de acceso. Los canastos coladores se encuentran al interior en la parte delantera de los tanques.

El canasto externo para desechos ubicado en la sección de carga necesita vaciarse periódicamente, lo que se puede hacer sin interrumpir el funcionamiento de lavavajilla. Retire los canastos cuando estén llenos de restos de alimento, vacíelos y colóquelos nuevamente.

Carga

Elimine previamente de forma manual los restos de alimento de la vajilla para retirar los desechos de gran tamaño. Nunca use lana de acero en la vajilla que va a cargar en el lavavajilla. Esto podría corroer su superficie e interferir en su funcionamiento.

Todos los platos, platillos, bandejas, etc. deberán cargarse en la cinta transportadora en posición inclinada. Los tazones o cuencos deben cargarse boca abajo. Los cubiertos se deben lavar dentro de canastillas para evitar pérdida de unidades, lo que podría ocasionar atascos en la cinta transportadora y daños en la vajilla o en las piezas del lavavajilla.

NO intente lavar elementos de gran tamaño (ollas, sartenes, bandejas, etc.) sin verificar antes que caben a través de las aberturas del lavavajilla. Estos utensilios no se deben lavar en el lavavajilla a menos que pasen fácilmente a través de él.

No permita que ingresen a la unidad objetos extraños, especialmente contaminantes metálicos.

Descarga

Retire la vajilla de la cinta transportadora. Si algún utensilio de cocina opone resistencia al final de carrera, la cinta transportadora se detiene y las bombas siguen funcionando durante un minuto antes de apagarse. Descargue la cinta transportadora comenzando por la vajilla más alejada del final de carrera. Retire la que está golpeando al último final de carrera. El lavavajilla se reiniciará automáticamente.

TEMPERATURAS MÍNIMAS RECOMENDADAS

La temperatura del agua en los tanques y en los brazos de enjuague se controla electrónicamente y se muestra en la pantalla del teclado ubicado en la cajuela de control. Se debe revisar periódicamente la pantalla para asegurarse de que se mantiene la temperatura apropiada.


NOTA: consulte la etiqueta HOT WATER SANITIZING (desinfección con agua caliente) ubicada al costado de la cajuela de control para conocer los rangos de temperatura mínima.

AJUSTE DE VELOCIDAD DE LA CINTA TRANSPORTADORA

Según el tipo de vajilla a lavar, la velocidad de la cinta transportadora se puede ajustar presionando el botón SPEED SELECTION (selección de velocidad) ubicado en el teclado de la parte delantera de la cajuela de control (Fig. 16). Al presionar el botón por primera vez, la velocidad seleccionada actual se mostrará en el borde inferior de la pantalla. Si presiona una segunda y una tercera vez, la velocidad se alternará con la siguiente selección disponible: velocidad baja, velocidad media, velocidad alta.

LIMPIEZA

El lavavajilla se DEBE limpiar minuciosamente al terminar cada turno de trabajo o después de cada comida. Presione el botón POWER en el teclado para APAGAR el lavavajilla. Siga las instrucciones que se muestran a continuación para el proceso de limpieza manual. En el caso de los lavavajillas equipados con limpieza automática, consulte las instrucciones en página 9. Este sistema automático se puede aplicar al finalizar cada turno de trabajo o después de cada comida. Sin embargo, se recomienda realizar una limpieza manual una vez al día.

 ADVERTENCIA **Desconecte la corriente eléctrica del lavavajilla y siga los procedimientos de bloqueo y etiquetado. Puede haber varios circuitos. Asegúrese de que todos estén desconectados.**

Abra todas las puertas de acceso delanteras. Saque el agua del lavavajilla girando hacia la izquierda las manillas para drenaje del tanque, tal como se muestra en las etiquetas colocadas sobre cada desagüe. Estas manillas se ubican cerca del suelo en la parte delantera de cada tanque.

Retire y limpie las cortinas. Antes de sacar los canastos y las bandejas coladoras, limpie el interior y todos los estantes del tanque utilizando una manguera y una boquilla rociadora. Descargue todos los desechos hacia los coladores.

Retire los brazos de lavado levantándolos para sacar la lengüeta de la muesca que se encuentra en el soporte de dichos brazos. Deslice los brazos superiores hacia adelante, moviendo su parte delantera hacia abajo. Deslice los brazos inferiores hacia adelante e incline su parte delantera hacia arriba para permitir que el agua escurra. Retire los brazos. Límpielos en un sumidero abriendo sus dispositivos deslizables para descargar los restos de alimento que contengan.

Saque los canastos y las bandejas coladoras. Retire también el colador del doble enjuague. Vacíe los coladores en un recipiente para basura o en trituradoras de restos de alimento. **NO GOLPEE LAS BANDEJAS O LOS CANASTOS COLADORES CONTRA OBJETOS SÓLIDOS PARA DESPRENDER LOS DESECHOS.** Restriegue las bandejas y los canastos coladores en un sumidero.

Retire los brazos del doble enjuague y los del enjuague final y límpielos para sacar desechos desde las boquillas y de los mismos brazos. Nunca use lana de acero para limpiar las superficies de la lavadora de vajilla. Utilice solo productos formulados para proteger el acero inoxidable.

Lave los tanques con una manguera con agua para eliminar cualquier acumulación de restos de alimento.

Reinstale todos los brazos en sus ubicaciones correspondientes y orientados de manera correcta. Asegúrese de que las boquillas del brazo superior apunten hacia abajo y las del brazo inferior apunten hacia arriba.

Para instalar los brazos de lavado, deslice los colectores sobre los soportes hacia la parte posterior del lavavajilla y asegúrese de que las lengüetas laterales de los brazos caen dentro de las muescas de los soportes.

Coloque nuevamente las bandejas y los canastos coladores. Reinstale las cortinas tal como se indica en los diagramas de páginas 14 y 15 de este manual. Deje abiertas las puertas del lavavajilla para permitir que el interior se airee y se seque.

Limpie el exterior del lavavajilla igual como lo haría con cualquier otro aparato de acero inoxidable. Utilice un paño húmedo y agua tibia con jabón.

Rocíe los canales donde se encuentran los sensores en el extremo de carga del lavavajilla (Fig. 12). No intente limpiarlos con objetos metálicos ya que puede dañarlos.



Figura 12

Eliminación de sarro (proceso manual para lavavajilla sin eliminación automática de sarro)

Siga estos pasos para la eliminación manual.

1. APAGUE el lavavajilla.
2. Desagüe los tanques y retire los restos de alimento limpiando los canastos para desechos y las bandejas coladoras. Lave el interior del lavavajilla con una manguera.
3. Inhabilite el sistema químico del alimentador de detergente de acuerdo a las indicaciones del fabricante. Esto impedirá que se agregue detergente durante el proceso de eliminación de sarro.
4. Cierre todos los desagües del tanque y reinstale las bandejas coladoras y los canastos para desechos.
5. ENCIENDA el lavavajilla para que se llene con agua limpia.
6. Consulte la sección FUNCIONAMIENTO y ajuste el tiempo de la PAUSA AUTOMÁTICA en 30 minutos ingresando a MANAGER PROGRAMMING. Esto permitirá que la unidad opere sin interrupciones durante media hora para completar el ciclo de eliminación de sarro. Tenga en cuenta la configuración de la PAUSA AUTOMÁTICA antes de ajustarla en 30 minutos.
7. Una vez que el ciclo de llenado termina, abra las puertas y vierta la cantidad necesaria de producto antisarro en cada tanque de acuerdo con las instrucciones del fabricante siguiendo sus recomendaciones en cuanto al uso del equipo de protección personal (PPE).
8. Cierre las puertas y encienda el lavavajilla dejando que las bombas operen durante 30 minutos a temperatura normal de funcionamiento.
9. Una vez transcurrido ese tiempo, cuando el lavavajilla está en pausa, abra las puertas e inspeccione el interior para detectar cualquier residuo o depósito de sarro. Si aún queda sarro, cierre las puertas y haga funcionar el lavavajilla por un período de tiempo más largo. El lavavajilla requerirá un tiempo de funcionamiento más largo o un ajuste en la cantidad usada de producto antisarro dependiendo de la dureza del agua y del tiempo transcurrido entre los ciclos de eliminación de sarro.
10. APAGUE el lavavajilla y desagüe todos los tanques.
11. Rocíe minuciosamente el interior de la unidad descargando la solución restante del producto antisarro en el sumidero.
12. Cierre el desagüe de todos los tanques y ENCIENDA el lavavajilla para que se llene con agua limpia.
13. Consulte la sección FUNCIONAMIENTO de este manual y ajuste el tiempo de la PAUSA AUTOMÁTICA a la configuración original, tal como se hizo en el paso 6, ingresando en MANAGER PROGRAMMING.
14. Una vez que el ciclo de llenado termina, encienda el lavavajilla y haga funcionar las bombas durante unos pocos minutos para sacar el producto antisarro restante.
15. APAGUE el lavavajilla y desagüe todos los tanques.
16. Siga las recomendaciones del fabricante para activar el sistema químico del alimentador de detergente.
17. Ahora la unidad está en condiciones de realizar un funcionamiento normal.

Ciertas áreas del lavavajilla, como la sección de carga, la de enjuague final y la de descarga, aún pueden mostrar signos de presencia de sarro debido a que no están sometidas al agua que recircula y que contiene la solución para eliminarlo. Estas áreas necesitarán limpieza manual, según se indica más adelante. **NO rocíe producto antisarro sobre la superficie del lavavajilla ni la seque con un paño, pues podría producir corrosión. Si accidentalmente este producto entra en contacto con el exterior del lavavajilla, lave con agua y luego seque con un paño. Utilice siempre un PPE adecuado si está manipulando producto antisarro y siga las recomendaciones del fabricante.**

1. Prepare una mezcla de producto antisarro y agua y viértala sobre la superficie cepillándola, de acuerdo a las instrucciones dadas.
2. Deje remojar por 10 minutos. Si es necesario, restriegue para eliminar los depósitos más duros.
3. Enjuague a fondo con agua limpia.

Sección para extracción automática de suciedad (si está incluida en el equipo)

Los lavavajillas equipados con el sistema de extracción automática de suciedad (ASR) cuentan con una sección adicional ubicada inmediatamente después del extremo de carga. Cuando el lavavajilla está funcionando, la sección ASR atrapa los restos de alimento y los bombea hacia el canasto externo para desechos ubicado bajo la carga del lavavajilla.

Para vaciar este canasto mientras el lavavajilla está funcionando, retírelo, vacíelo y vuelva a colocarlo. El lavavajilla seguirá funcionando a menos que presione el botón STOP en la carga, en la descarga o en el teclado ubicado en la parte delantera de la cajuela de control.

Para limpiar el sistema ASR, retire el canasto externo para desechos ubicado bajo la sección de carga, vacíe los restos de alimento, enjuáguelo en el sumidero y vuelva a colocarlo. Retire los brazos de lavado ASR superiores e inferiores. Para retirar el brazo superior, empuje la lengüeta hacia atrás para que el brazo se desprenda y se pueda sacar. Para retirar el brazo inferior, empuje lentamente hacia arriba y retírelo. Enjuague ambos brazos en el sumidero y asegúrese de que todas las boquillas estén libres de desechos.

Retire la bandeja coladora ASR y luego saque el tubo vertical de dos piezas del colector de suciedad (Fig. 13). Limpie estas piezas en el sumidero utilizando una manguera rociadora. Utilice también esta manguera para rociar el interior de la sección ASR.



Figura 13

Al finalizar, coloque nuevamente todas las piezas en su lugar. Para insertar el tubo vertical del colector de suciedad, introduzca el extremo inferior del tubo junto con el colador dentro de la sección de desagüe ubicada al fondo del tanque ASR y luego instale el tubo colector de suciedad en la parte superior del tubo previamente instalado. Coloque la bandeja coladora en la parte superior, tomando en cuenta que se asienta algo más arriba que el tanque. Instale nuevamente el brazo de lavado inferior siguiendo el riel guía y empujando el tubo en su lugar en el colector. Coloque el brazo superior empujando el tubo dentro del colector superior, presionando hacia arriba y hundiéndolo en su lugar.

Limpieza automática (si está incluida en el equipo)

Para realizar este procedimiento, siga los pasos detallados a continuación (el texto en *itálica* indica los avisos mostrados en pantalla):

1. Presione el botón azul de limpieza automática ubicado en el teclado en la parte delantera de la cajuela de control.
2. Press ENTER to begin Auto Clean (presione ENTER para iniciar la limpieza automática).
3. La pantalla muestra brevemente Press Stop key at any time to abort Auto Clean cycle (presione Stop en cualquier momento para suspender el ciclo de limpieza automática) antes de proceder con el paso 4.
4. Close Master Drain (cierre el desagüe principal). Cierre la válvula manual del desagüe principal ubicada en el extremo de carga o de descarga del lavavajilla.
5. Open All Tank Drains (abra el desagüe de todos los tanques). Abra el desagüe de todos los tanques ubicados al fondo de cada uno de ellos.
6. Tanks draining (desagüe de tanques). Please wait a few seconds (espere unos segundos). En este momento el lavavajilla está desaguando el agua de los tanques bajo las bandejas coladoras por medio de la válvula automática del desagüe principal.
7. Clean and replace strainer baskets (limpie los canastos coladores y vuelva a colocarlos). Open wash arm sliders, Close Doors, Press Enter When Done (abra los dispositivos deslizables de los brazos de lavado, cierre puertas y presione Enter al finalizar). Si el lavavajilla está equipado con ASR, limpie el tubo vertical del colector de suciedad y la bandeja coladora y luego vuelva a colocarlos.
8. No additional user intervention required (no se requiere intervención adicional del usuario). Auto clean will take approximately 30 minutes (la limpieza automática tardará unos 30 minutos). En este momento el lavavajilla está en modo de autolimpieza. Las bombas se activarán para limpiar los brazos de lavado eliminando los restos de alimento. Luego las boquillas de limpieza automática ubicadas en la parte posterior de cada cámara lavarán cada sección de la cámara sobre las bandejas coladoras.
9. Close Wash Arm Sliders; then close all doors-Press Enter When Done (cierre los dispositivos deslizables del brazo de lavado y luego cierre todas las puertas; presione Enter al finalizar).
10. Open Master Drain (abra el desagüe principal). Abra la válvula manual del desagüe principal en el extremo de carga o de descarga del lavavajilla.
11. Close tank Drains (cierre el desagüe de los tanques). Cierre todos los desagües ubicados al fondo de cada tanque.
12. Auto Clean complete, Press Enter key to refill (limpieza automática finalizada; presione Enter para rellenar). Otherwise machine will shutdown in 60 seconds (de lo contrario el lavavajilla se apagará en 60 segundos).

Presione el botón STOP en cualquier momento durante el proceso de limpieza automática para cancelar el ciclo. En pantalla se lee Auto Clean not complete (limpieza automática incompleta). Press STOP to abort, ENTER to resume (presione Stop para suspender, Enter para continuar). Después de presionar STOP para detener el ciclo, siga las instrucciones en pantalla para preparar el lavado.

Eliminación automática de sarro (si está incluida en el equipo)

Para realizar este procedimiento, siga los pasos detallados a continuación (el texto en *itálica* indica los avisos mostrados en pantalla):

1. Cuando la pantalla indica Delime Recommended (se recomienda eliminar el sarro), consulte la sección FUNCIONAMIENTO para iniciar el ciclo. Navegue hasta el menú Actions (acciones) y desplácese hasta Run Delime Cycle (funcionamiento del ciclo de eliminación de sarro). Presione ENTER.

2. La pantalla muestra brevemente Press Stop key at any time to abort Delime Cycle (presione el botón Stop en cualquier momento para suspender el ciclo de eliminación de sarro) antes de proceder con el paso 3.
3. Remove ware from machine (retire la vajilla del lavavajilla). Press ENTER when done or STOP to abort (presione ENTER al finalizar o STOP para suspender).
4. Place Delime Pump hose in delime solution (coloque la manguera de la bomba de eliminación de sarro en la solución del producto antisarro). Press Enter when done (presione Enter al finalizar). Coloque dentro del recipiente con la solución antisarro la manguera proveniente de la bomba del producto químico respectivo ubicada en el extremo de descarga del lavavajilla.
5. Open All Tank Drains-Leave drains open (abra el desagüe de todos los tanques; déjelos abiertos). Abra todos los desagües ubicados al fondo de cada tanque.
6. Clean Strainer Baskets, then replace (limpie los canastos coladores y luego vuelva a colocarlos). Press enter when done (presione Enter al finalizar).
7. Tanks Draining Please Wait (tanques en desagüe; espere). Después de que todos los tanques se han desaguado la pantalla cambia al paso 8.
8. Close Master Drain (cierre el desagüe principal). Cierre la válvula manual del desagüe principal ubicada en el extremo de carga o de descarga del lavavajilla.
9. Tanks Filling Please Wait (tanques en llenado; espere). Después de que el lavavajilla se ha llenado con 1 a 2 pulgadas (3 a 5 cm) de agua en los tanques, la pantalla cambia al paso 10.
10. Pour xx gallons delime into Tank 1 (vacíe xx galones de producto antisarro en el tanque 1). Press Enter when done (presione Enter al finalizar). La pantalla avisa que debe vaciar la cantidad requerida de producto antisarro en el tanque 1 ubicado junto al tanque de doble enjuague hacia el extremo de carga del lavavajilla y etiquetado como Delime Tank (tanque de eliminación de sarro).
11. Press ENTER to start conveyor (presione ENTER para poner en marcha la cinta transportadora).
12. Delime Cycle Running. Approximate Time Left XX:XX (ciclo de eliminación de sarro en funcionamiento; tiempo restante aproximado XX:XX). En este momento el lavavajilla está realizando el ciclo automático de eliminación de sarro.
13. Auto Delime Complete (eliminación automática de sarro finalizada). Press Enter key to refill (presione Enter para rellenar). Otherwise, machine will power down in 5 minutes (de lo contrario el lavavajilla se apagará en 5 minutos).
14. Open Master Drain (abra el desagüe principal). Después de presionar Enter en el paso anterior o de encender el lavavajilla nuevamente después de que ha estado apagado, abra la válvula manual del desagüe principal ubicada en el extremo de carga o de descarga del lavavajilla.
15. Close all Tank Drains (cierre todos los desagües de los tanques). Cierre todos los desagües ubicados en el fondo de cada tanque.

Si presiona el botón STOP en cualquier momento del proceso de eliminación automática de sarro, el ciclo se suspenderá. Si aún no ha introducido el producto antisarro en el sistema, la pantalla mostrará Tanks rinsed and ready for wash (tanques enjuagados y listos para el proceso de lavado). Press Enter to refill (presione Enter para rellenar). Or machine will power down in 5 minutes (o el lavavajilla se apagará en 5 minutos). Si el producto antisarro se ha introducido en el sistema, la pantalla mostrará Delime solution in Tanks (producto antisarro en tanques). Press Enter key to drain and rinse tanks (presione ENTER para desaguar y enjuagar los tanques). Press Stop key to skip rinse cycle (presione STOP para omitir el ciclo de enjuague).

QUÉ HACER Y QUÉ NO HACER CON SU NUEVA LAVADORA DE VAJILLA HOBART

ASEGÚRESE de que el agua tenga una dureza apropiada de 3 granos por galón o menos.

RESTRIEGUE previamente la vajilla a fondo.

USE solo detergentes recomendados por un profesional del área química.

REALICE un ciclo de limpieza manual al final de la jornada, si se requiere. Limpie a fondo el lavavajilla, enjuáguelo y séquelo, dejando las puertas abiertas.

REALICE un ciclo de limpieza automática completo (si está incluida en el equipo) al final de la jornada siguiendo las instrucciones en pantalla.

USE solo productos químicos seguros de aplicar sobre el acero inoxidable.

NO utilice detergentes formulados para lavavajillas de uso doméstico.

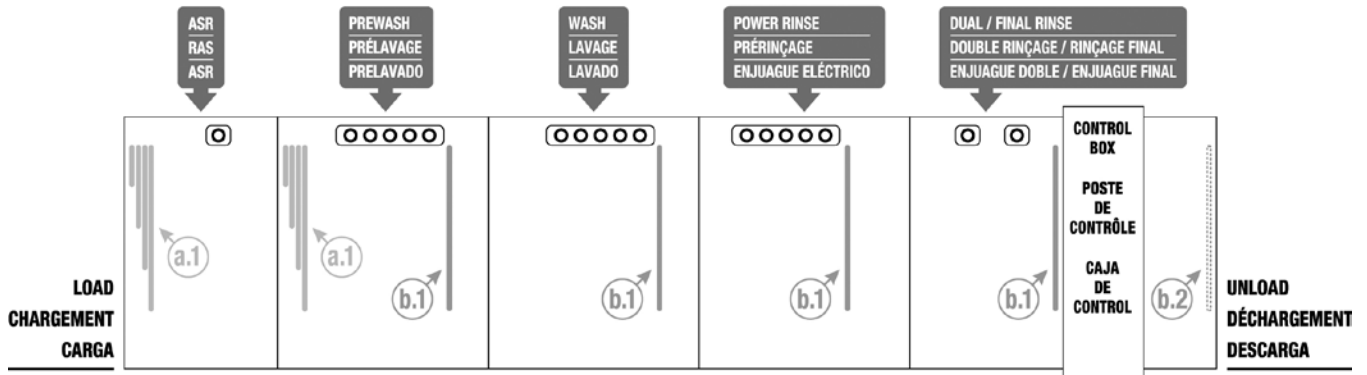
NO permita que restos de alimento se acumulen al fondo del tanque.

NO use fibra de acero para limpiar los utensilios o la superficie del lavavajillas.

NO permita que objetos extraños ingresen a la unidad, especialmente contaminantes metálicos.

NOTA: si no sigue las instrucciones de uso, cuidado y mantenimiento, puede invalidar la garantía de su lavavajilla Hobart.

8' CENTER SECTION | ZONE CENTRALE DE 8 pi (2438 mm) | ZONA CENTRAL DE 8'



8' CENTER SECTION | ZONE CENTRALE DE 8 pi (2438 mm) | ZONA CENTRAL DE 8'

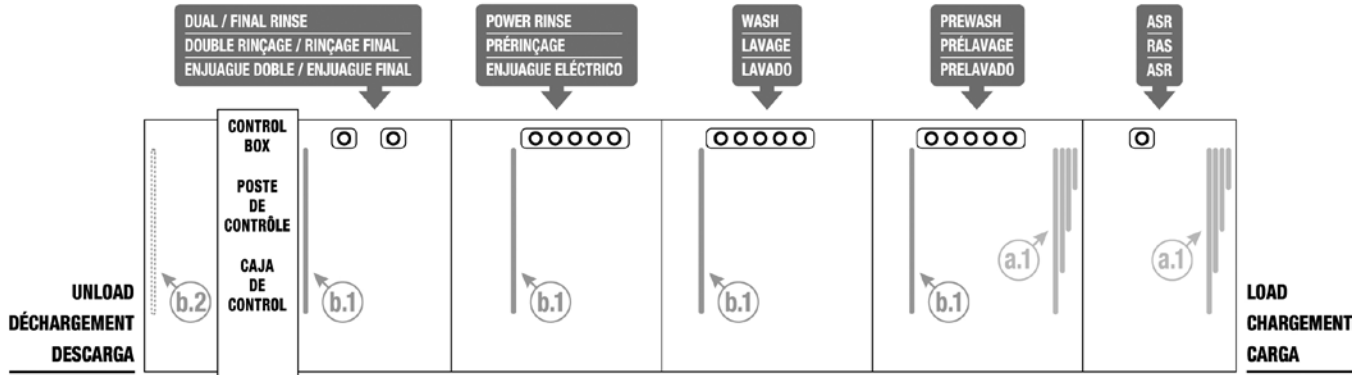
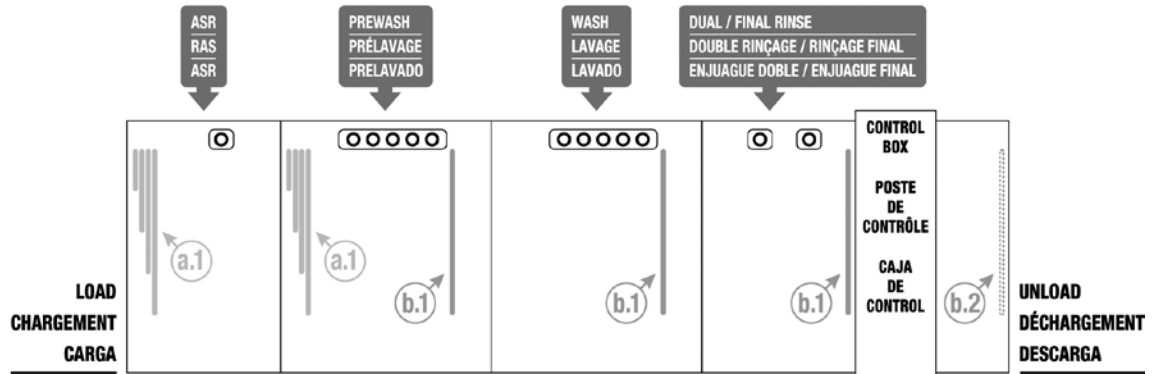


Figura 14

LEGEND LÉGENDE LEYENDA	
a.1	4-PLY CURTAINS AT SECTION DIVIDERS RIDEAUX À 4 ÉPAISSEURS POUR SÉPARER LES ZONES CORTINAS DE 4 CAPAS EN LOS SEPARADORES DE SECCIÓN
b.1	LONG CURTAINS RIDEAUX LONGS CORTINAS GRANDES
b.2	CURTAIN PLACEMENT FOR UNITS WITHOUT BLOWER DRYER POSITION DES RIDEAUX SUR LES APPAREILS SANS TUNNEL DE SÉCHAGE. COLOCACIÓN DE LA CORTINA PARA UNIDADES SIN SECADOR DE AIRE

5' CENTER SECTION | ZONE CENTRALE DE 5 pi (1524 mm) | ZONA CENTRAL DE 5'



5' CENTER SECTION | ZONE CENTRALE DE 5 pi (1524 mm) | ZONA CENTRAL DE 5'

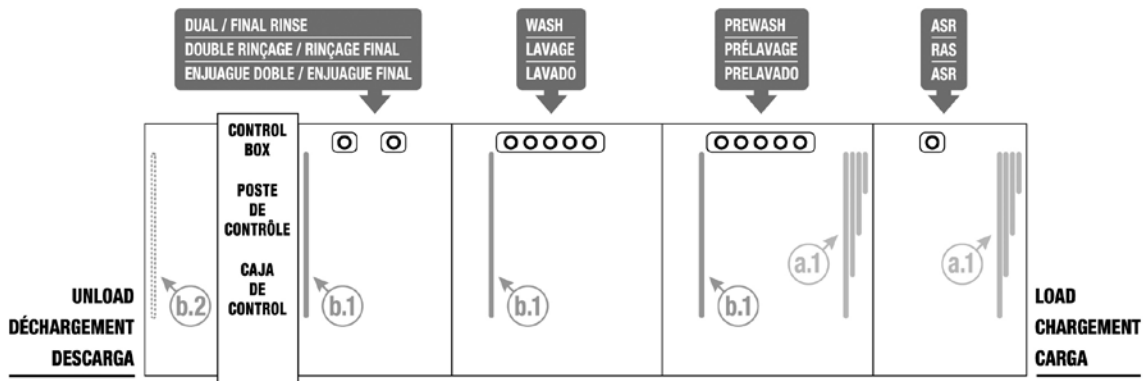


Figura 15

LEGEND LÉGENDE LEYENDA	
(a.1)	4-PLY CURTAINS AT SECTION DIVIDERS RIDEAUX À 4 ÉPAISSEURS POUR SÉPARER LES ZONES CORTINAS DE 4 CAPAS EN LOS SEPARADORES DE SECCIÓN
(b.1)	LONG CURTAINS RIDEAUX LONGS CORTINAS GRANDES
(b.2)	CURTAIN PLACEMENT FOR UNITS WITHOUT BLOWER DRYER POSITION DES RIDEAUX SUR LES APPAREILS SANS TUNNEL DE SÉCHAGE. COLOCACIÓN DE LA CORTINA PARA UNIDADES SIN SECADOR DE AIRE

PROGRAMACIÓN

FUNCIONAMIENTO DEL LAVAVAJILLAS Y PROGRAMACIÓN DE NIVELES DE SEGURIDAD

Los controles digitales avanzados de su lavavajilla permiten diversas configuraciones y opciones personalizadas. Debido a que dichas opciones pueden afectar el funcionamiento del lavavajilla, todas ellas vienen bloqueadas de fábrica. Para desbloquearlas y poder editarlas, el nivel de seguridad debe elevarse hasta uno más apropiado.

Se recomienda mantener siempre el lavavajilla en el nivel de seguridad más bajo. Esto impedirá que se modifiquen las opciones de manera imprevista o intencionada respecto a lo esperado o aceptable. El nivel de seguridad se revertirá automáticamente volviendo al nivel más bajo permitido (operador o superoperador, como se describe a continuación) si se presenta cualquiera de las siguientes situaciones:

1. No se presiona ningún botón en el teclado durante 10 minutos o más.
2. El lavavajilla permanece en tiempo de espera al presionar el botón POWER.
3. En la pantalla ENTER SECURITY CODE (ingresar código de seguridad) se ha digitado un código inválido.

Los nombres y las descripciones de los diversos niveles de seguridad se enumeran a continuación, desde el nivel inferior hasta el superior. Un nivel de seguridad más alto incluye todas las capacidades de los niveles inferiores más otras características adicionales, tal como se describe.

NOTA: el nivel de seguridad, por sí solo, no afecta el funcionamiento del lavavajilla ni impide el uso de los botones Start, Stop o Power. Todas estas funciones básicas están siempre disponibles en cualquier nivel de seguridad.

Operador – O

Es el nivel de seguridad más básico y se activa por defecto cuando se enciende la unidad, según configuración de fábrica. No se requiere un código de seguridad para ingresar a este nivel. Solo permite ingresar el código de seguridad para elevar el nivel actual a otro más alto.

Superoperador – SO

Este nivel de seguridad se puede activar a través del menú Manager (Manager → Operation Parameters → Super Operator Access). Una vez activado, el Superoperador se agregará como una opción cuando se presiona el botón Menú en el menú principal. NO se requiere un código de seguridad para ingresar el menú Superoperador una vez que este ha sido activado. El menú Superoperador permite acceder a ciertas opciones avanzadas, tales como iniciar la eliminación automática de sarro, revisar el registro de errores o cambiar el idioma en pantalla. En el menú Parameters se muestra una lista detallada de las funciones del Superoperador.

Manager – M

Este es el nivel de seguridad más alto al que puede acceder el usuario. Es necesario ingresar el código Manager antes de que el nivel de seguridad se eleve a Manager. Debido a esto se recomienda que el ciclo del lavavajilla esté apagado y se encienda solo cuando el acceso a las opciones del nivel Manager ya no sea necesario.

El código de seguridad para el nivel Manager puede ser modificado por el jefe de cocina o por cualquier persona que posea el código Manager. El código predeterminado se detalla en la sección Ingreso al menú Parámetros Operativos. Se recomienda cambiar este código y guardarlo en un lugar seguro al cual tengan acceso solo los jefes de cocina. Si el nuevo código se extravía o se olvida, puede ser restablecido por el servicio técnico de Hobart.

NOTA: el restablecimiento del código Manager por parte del servicio técnico de Hobart no está cubierto por las garantías básica o extendida.

INSTRUCCIONES DE PROGRAMACIÓN PARA EL USUARIO

El lavavajilla está equipado con controles electrónicos digitales que permiten mayor precisión en la limpieza de la vajilla, en la mantención de la temperatura requerida para el tanque y en otras funciones avanzadas. Algunas de estas funciones son personalizables para adaptarse a las necesidades de funcionamiento de su cocina.

Todas las personalizaciones se realizan a través del menú en pantalla usando los botones UP, DOWN/MENU, ENTER y STOP/BACK ubicados en el teclado de la puerta de la cajuela de control (Figura 16).

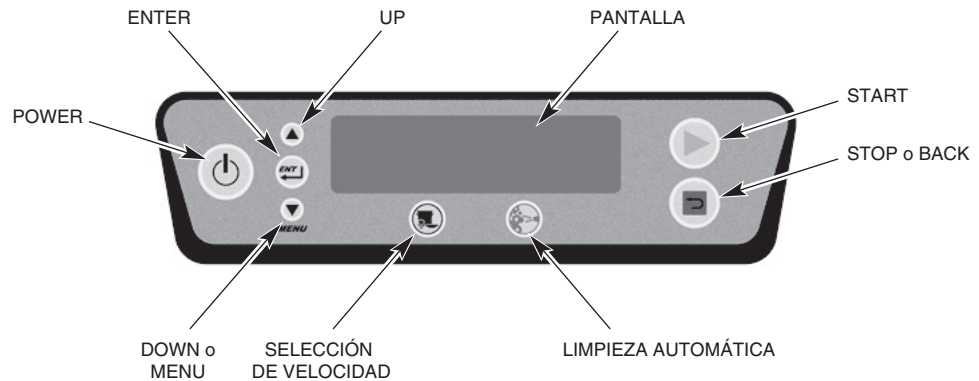


Figura 16

INDICACIONES EN PANTALLA DEL MENÚ

Las siguientes indicaciones se usan dentro de cada menú:

- Los botones con la flecha UP y DOWN sirven para cambiar el valor de los parámetros y navegar por el menú.
- El botón ENTER se utiliza para aceptar un valor, realizar una acción específica o ingresar en un submenú.
- El botón BACK siempre lo llevará a la pantalla anterior del menú.
- El texto que se encuentra justo a la derecha del símbolo “>” en pantalla muestra qué acción o comando se presentará al presionar el botón ENTER.

INGRESO AL MENÚ MANAGER

Para ingresar en este menú:

1. Presione el botón MENU en la pantalla principal. Esto lo llevará a Main Menu (menú principal).
2. Con el símbolo “>” a la izquierda de Manager, presione el botón ENTER. Esto lo llevará a la pantalla Enter Security Code (ingrese código de seguridad).
3. Se mostrará un aviso de cuatro asteriscos [****].
4. Use los botones UP y DOWN para cambiar el código de seguridad al valor apropiado *.

* El código de seguridad predeterminado para ingresar a la programación Manager es 1001. Este código puede ser modificado por cualquier persona que sepa cómo hacerlo y se recomienda cambiarlo por uno distinto. Si se extravía, el código puede ser restablecido por el servicio técnico de Hobart.

NOTA: el restablecimiento del código no está cubierto por la garantía, tanto si se encuentra en el período inicial de dicha garantía o en el período extendido.

5. Presione ENTER para avanzar al siguiente dígito de la derecha.
6. Repita los pasos 4 y 5 para cada dígito. Después de presionar ENTER en el cuarto dígito, ingresará a Manager Menu (menú Manager).
7. Pulse varias veces los botones UP o DOWN hasta que el símbolo “>” aparezca a la izquierda de la opción elegida y luego presione ENTER. Las opciones Manager son: About (acerca de), Actions (acciones), Logs (registros) y Operation Parameters (parámetros operativos).

PANTALLA ABOUT

Esta pantalla muestra la siguiente información: Machine Model (modelo de lavavajilla), Control Board Revision (revisión del panel de control), Relay Board Revision (revisión del panel del relé), Software Version (versión del software), Sanitizing Mode (modo desinfección) y Service Number (número del servicio técnico).

MENÚ ACTIONS

Este menú ofrece las siguientes opciones:

- Cambiar código Manager: permite modificar el valor predeterminado del código de seguridad Manager.
- Invertir impulso: permite que la cinta transportadora se mueva en dirección contraria en caso de producirse un atasco. Cuando ingrese en este modo, en pantalla se muestra el siguiente mensaje:

Be sure all personnel are clear of conveyor (asegúrese de que todo el personal se encuentra alejado de la cinta transportadora). Press button in upper Control box while pressing Enter (pulse el botón de la cajuela de control superior mientras presiona Enter.)

> Exit without jogging (salir sin impulsar)

Reverse jog conveyor (invertir dirección de cinta)

Para invertir la dirección de la cinta transportadora, presione el botón ENTER cuando el símbolo ">" se encuentre a la izquierda de Reverse jog conveyor mientras, simultáneamente, presiona el botón verde ubicado tras la puerta de la cajuela de control superior (Figura 17).



Figura 17

- *Run Delime Cycle (inicie ciclo de eliminación de sarro): inicia el ciclo automático de eliminación de sarro. Consulte la página 10 de este manual para conocer todo el procedimiento.*
- *Set Date/Time (configure fecha y hora): ingrese en esta pantalla para establecer la fecha y la hora*

MENÚ LOGS

Este menú ofrece las siguientes opciones:

- *Delime Counter (medidor de eliminación de sarro): en pantalla se muestra el tiempo restante antes de que se recomiende eliminar el sarro. Permite también Clear Delime Counter (resetear medidor de eliminación de sarro).*
- *Error Log (registro de errores): muestra los errores anteriores junto con la fecha y la hora en que se produjeron.*
- *Statistics (estadísticas): al ingresar en esta pantalla podrá acceder a la siguiente información; Time of Operation (tiempo de funcionamiento), Run Time Percent (porcentaje de tiempo operativo), Rinse Time (tiempo de enjuague) y Fill Time (tiempo de llenado).*

MENÚ OPERATION PARAMETERS

NOTA: los parámetros se pueden modificar en cualquier momento en que la pantalla esté activa, lo que sucede cuando el lavavajilla está funcionando o se encuentra en modo desacelerado.

Hobart considera que los parámetros predeterminados en la fábrica son apropiados para la mayoría de las operaciones realizadas en una cocina. Sin embargo, existen casos en que los jefes de cocina desean modificar una o más opciones. El menú Parameters permite realizar estos cambios.

Dentro de este menú, el jefe (o el operador, en algunos casos) puede modificar los parámetros predeterminados en fábrica. A continuación se detallan la estructura del menú y la descripción de cada opción. Contacte al servicio técnico de Hobart si no ha quedado conforme con el cambio de algún parámetro o si no está seguro de cuál modificación hacer.

El menú Parameters muestra el nombre del parámetro, una breve descripción, una lista de posibles valores, el valor predeterminado en fábrica según el modelo específico de lavavajilla y el nivel de seguridad requerido para acceder a este parámetro.

MENÚ PARAMETERS

Nombre del parámetro	Descripción	Valores posibles	Valor predeterminado	Seguridad necesaria
Modo demostrativo de limpieza automática	Habilita o inhabilita el modo demostrativo de limpieza automática. Al activarlo, permite una demostración del ciclo de limpieza automática con fines ilustrativos sin hacer funcionar el ciclo completo.	Inhabilitado Habilitado	Inhabilitado	M
Pausa automática	Temporizador ajustable para determinar cuándo apagar las bombas y la cinta transportadora si no hay vajilla en el lavavajilla.	1 a 30 minutos	6 minutos	SO
Alta velocidad de cinta transportadora	Establece la velocidad alta para la cinta transportadora cuando el operador presiona el botón de selección de velocidad en el teclado, modificando así el parámetro a velocidad alta.	4,0 - 8,5	8,5 pies/min (3 m/min)	M
Baja velocidad de cinta transportadora	Establece la velocidad baja para la cinta transportadora cuando el operador presiona el botón de selección de velocidad en el teclado modificando el parámetro a velocidad baja.	4,0 - 8,5	4,0 pies/min (1 m/min)	M
Velocidad media de la cinta transportadora	Establece la velocidad media para la cinta transportadora cuando el operador presiona el botón de selección de velocidad en el teclado modificando así el parámetro a velocidad media.	4,0 - 8,5	6,3 pies/min (2 m/min)	M
Eliminación de sarro Cantidad de tanques principales	Establece la cantidad de galones de producto antisarro por tanque.	0,0 – 2,0	0.5	M
Eliminación de sarro – Dureza del agua	Parámetro ingresado de la dureza del agua que determina el momento apropiado para la eliminación del sarro del lavavajilla.	0 a 250	0	M

Concentración del producto antisarro	Establece la concentración requerida para el enjuague final y para el sistema propulsor.	1.5% 3.0%	3.0%	SO
Modo demostrativo de eliminación de sarro	Habilita o inhabilita el modo demostrativo de eliminación de sarro. Cuando se activa, este modo realiza una demostración del ciclo de eliminación de sarro con fines ilustrativos sin hacer funcionar el ciclo completo.	Inhabilitado Habilitado	Inhabilitado	M
Final de carrera de la vajilla antes que se apague el calor del secador de aire	Establece el período de tiempo (en segundos) hasta que el calor del secador de aire se apaga después de que algún utensilio de cocina activa el final de carrera	0 - 60 segundos	60 segundos	M
Intervalo de agua sucia	Establece el tiempo (en horas) de enjuague antes que se muestre una alerta. Esta opción solo está disponible cuando el modo agua sucia se configura para "Alerta" o para "Alerta + Bloqueo".	1 a 6 horas	4 horas	M
Modo agua sucia	Se puede habilitar para indicar que el agua está sucia y requiere un cambio. Esta función supervisa la puntualidad del enjuague final. Cuando se sobrepasa el nivel definido por el usuario, se mostrará un mensaje en pantalla. Este mensaje no desaparecerá hasta que se produzca el cambio de agua drenando todos los tanques del lavavajilla. Existen tres modos diferentes. (1) Inhabilitado: ignora el agua sucia. (2) Alerta: la pantalla muestra "Water Change Required" (se requiere cambio de agua) después de un tiempo de funcionamiento; no es necesario rellenar. (3) Alerta + Bloqueo: la pantalla muestra "Change Water Soon" (cambie el agua pronto) durante 5 minutos después de un tiempo de funcionamiento. Luego se lee "Water Change Required" (se requiere cambio de agua) y el lavavajilla no puede funcionar hasta que todos los tanques hayan sido desaguados y rellenados.	Inhabilitado Alerta Alerta + Bloqueo	Inhabilitado	M
Inhabilitar cuando se abre el desagüe	Si se activa, impide el funcionamiento del lavavajilla si hay algún tanque abierto	Inhabilitado Habilitado	Inhabilitado	M
Tiempo de ahorro de energía	Después de un tiempo de inactividad del lavavajilla, el control inicia el modo Ahorro de Energía. Todos los componentes del lavavajilla se apagan y la pantalla del teclado atenúa su brillo mostrando "Energy Saver On" (ahorro de energía encendido). Para salir del modo Ahorro de Energía, presione el botón STOP del teclado. También puede presionar el botón POWER para apagar completamente el lavavajilla. Si aún queda algún utensilio de cocina en el lavavajilla, el modo Ahorro de Energía no se activará.	1 a 6 horas	2 horas	M

Selección de idioma	Habilita o inhabilita la capacidad del operador para cambiar el idioma mostrado en pantalla.	Inhabilitado Habilitado	Inhabilitado	SO
Alarma por baja temperatura en enjuague final	Habilita o inhabilita en pantalla una alarma visual que indica que la temperatura del agua en el enjuague final está bajo el mínimo NSF requerido de 180°F (82°C). Si está activada, se mostrará un mensaje avisando al usuario sobre esta condición. Sin embargo, el funcionamiento del lavavajilla no se alterará y la vajilla continuará su recorrido según lo esperado. Si la alerta no está habilitada, no habrá mensajes adicionales que indiquen la presencia de una temperatura baja. De cualquier modo, la pantalla seguirá mostrando la temperatura actual del agua del enjuague final.	Inhabilitado Habilitado	Inhabilitado	M
Idioma principal	Esta opción establece el idioma predeterminado que aparece en pantalla.	Inglés Francés Español	Inglés	SO
Acceso superoperador	Habilita o inhabilita el nivel de acceso del superoperador. Si está activado, cualquier usuario puede modificar los valores marcados en el menú Parameters que solo requieren seguridad SO sin necesidad de ingresar una contraseña. Si está inhabilitado, la única operación permitida para cualquier usuario es el ingreso del código de seguridad y salir del menú. No se permite modificar parámetros.	Inhabilitado Habilitado	Inhabilitado	M
Agitación del tanque	Habilita o inhabilita el modo agitación del tanque que enciende las bombas por 15 segundos cada 15 minutos de tiempo de inactividad para mantener caliente las cámaras del lavavajilla.	Inhabilitado Habilitado	Inhabilitado	M
Alerta de temperatura en el tanque	En pantalla se muestra un mensaje cuando la temperatura del agua en cualquier tanque desciende bajo la mínima requerida por al menos diez minutos. Una vez que la temperatura aumenta superando este mínimo requerido, el mensaje desaparece.	Inhabilitado Habilitado	Inhabilitado	M
Unidades de temperatura	Establece si la temperatura y los puntos de ajuste se muestran en pantalla en °F o en °C.	F C	F	SO

MANTENCIÓN

⚠ ADVERTENCIA Desconecte la corriente eléctrica del lavavajilla y siga los procedimientos de bloqueo y etiquetado. Puede haber varios circuitos. Asegúrese de que todos estén desconectados.

COLADORES DE LÍNEA

Los coladores utilizados en líneas de agua o de vapor se deben limpiar una semana después de instalar el lavavajilla y luego de forma periódica.

LUBRICACIÓN

En la oficina local del servicio técnico de Hobart se encuentran disponibles los lubricantes aceptados y una lista de ellos.

Motores

Todos los motores cuentan con rodamientos sellados y no necesitan lubricación.

Motorreductor de la cinta transportadora

Cada seis meses revise el nivel de aceite del motorreductor de la cinta transportadora en el extremo de descarga del lavavajilla. Para esto, retire el tapón de llenado de la caja de engranajes (Fig. 18). El nivel de aceite deberá estar en la parte inferior del orificio de llenado. El desagüe de la caja de engranajes se puede realizar retirando el tapón de drenaje (Fig. 18) para sacar el aceite y reciclarlo. Después de volver a instalar el tapón de drenaje, utilice solo Shell Omala S2 G220 para rellenar o reemplazar el aceite lubricante.

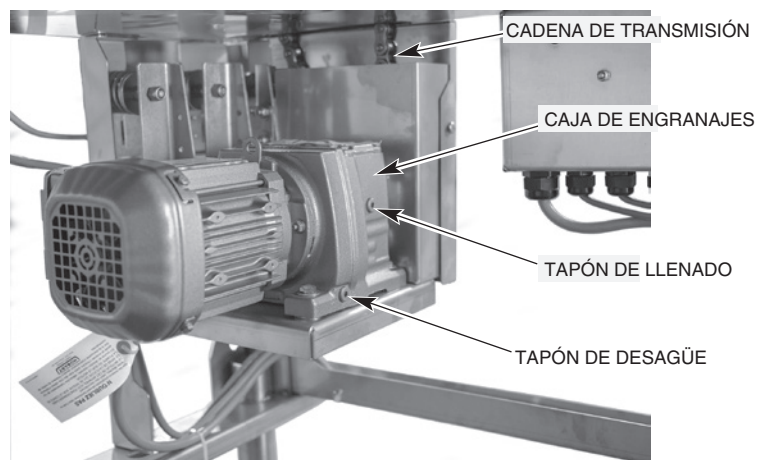


Figura 18

Cadena de transmisión de la cinta transportadora

Revise con regularidad la cadena de transmisión (Fig. 18) y lubríquela con SFGO Ultra 32 (producto viene incluido), según se requiera.

Unidad de tensión de la cinta transportadora

Al menos dos veces al año, lubrique ambas unidades de tensión de la cinta transportadora ajustando los tornillos (Fig. 19) en los extremos de carga del lavavajilla usando grasa Chevron FM suministrada para este efecto.

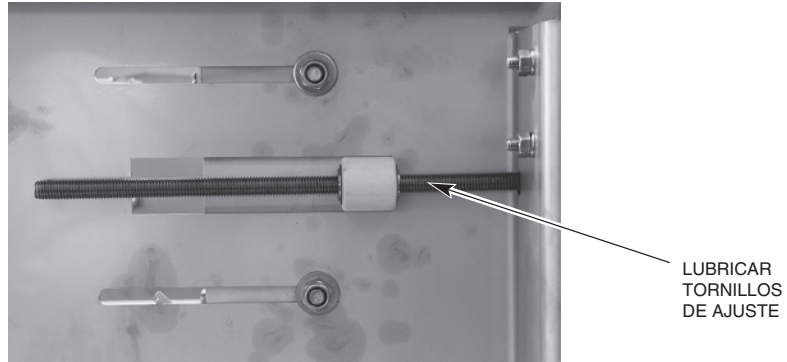


Figura 19

SOLUCIÓN DE PROBLEMAS

SOLUCIÓN DE PROBLEMAS

Síntoma	Posible causa NOTA: Si los síntomas persisten después de haber revisado las posibles causas, contacte al servicio técnico de Hobart.
El lavavajillas no funciona después de presionar el botón START	<ol style="list-style-type: none"> Las puertas de inspección no están cerradas. La pantalla muestra Door(s) Open (puertas abiertas). La cinta transportadora puede estar atascada. Revise los desagües para asegurarse de que están cerrados. Revise los tanques para asegurarse de que están llenos. Fusible quemado o disyuntor activado en el suministro eléctrico.
Vajilla no está limpia	<ol style="list-style-type: none"> Restregado previo insuficiente o el agua en el tanque necesita ser cambiada. Dispositivos deslizables del brazo de lavado en posición abierta. Obstrucción en la boquilla del brazo de lavado. Pérdida de presión de agua debido a obstrucciones en la bomba. <p>⚠ ADVERTENCIA Desconecte la corriente eléctrica del lavavajilla y siga los procedimientos de bloqueo y etiquetado. Puede haber varios circuitos. Asegúrese de que todos estén desconectados.</p> <ol style="list-style-type: none"> Temperatura del agua incorrecta. Revise el disyuntor para el suministro eléctrico de calor o la válvula principal de vapor. Asegúrese de que la válvula esté totalmente abierta. Suministro de detergente incorrecto. Contacte a su representante de productos químicos. Brazos de lavado instalados de modo incorrecto. Vajilla cargada inapropiadamente. Para lavavajilla equipado con sección ASR, asegúrese de que el colador y el tubo vertical del colector de suciedad no están obstruidos.
Manchas en la vajilla	<ol style="list-style-type: none"> Vajilla cargada inapropiadamente. Temperatura del agua del enjuague final incorrecta (180°F/82°C mínima). Suministro de detergente y de agente de enjuague incorrecto. Contacte a su representante de productos químicos. Dureza del agua inapropiada (se recomienda 3 granos o menos por galón). Boquillas de enjuague obstruidas. Brazos de enjuague desalineados. Estos deben posicionarse de tal manera que queden alineados en el eje central sobre la pared de la cámara. Fuga de agua más allá del O-ring del colector del brazo de enjuague.
Enjuague inadecuado	<ol style="list-style-type: none"> Colador de línea sucio ocasionando un flujo de agua reducido. Desconecte el suministro de agua, saque la tapa del colador y retire la malla para limpiarla. Los brazos de enjuague no están insertados apropiadamente en los ejes centrales. Boquillas de doble enjuague obstruidas. Límpielas. Bandeja coladora del tanque de doble enjuague está obstruida. Límpiela.
Operación de enjuague ininterrumpida	<ol style="list-style-type: none"> Los sensores fotoeléctricos están bloqueados. Limpie los canales donde se ubican (Figura 20). Retire los paneles verticales del extremo de carga del lavavajilla adyacentes a la cámara de prelavado o a la cámara ASR. Con el lavavajilla encendido, verifique los indicadores en el sensor (Figura 21) intermitente cuando se bloquea y se desbloquea. Circuito de funcionamiento inadecuado de la bomba de enjuague. Contacte al servicio técnico de Hobart.

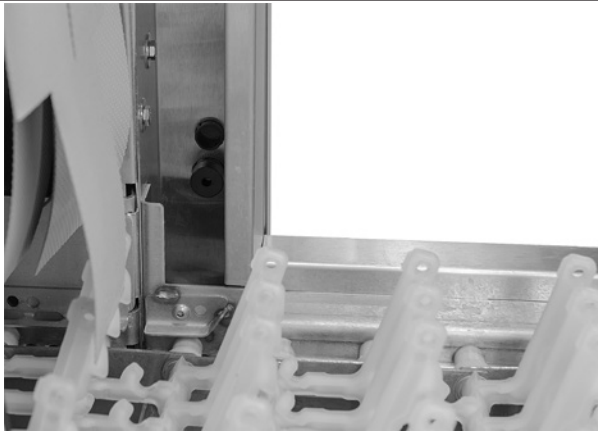


Figura 20



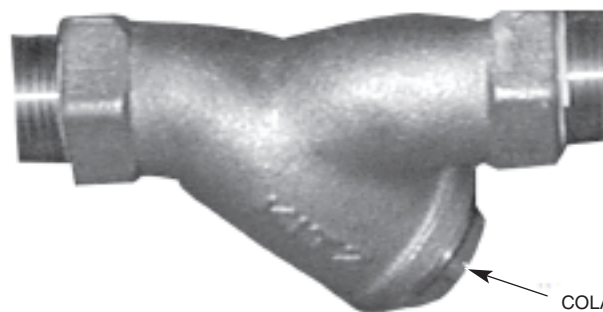
Figura 21

Los tanques no se calientan

1. Los dispositivos de seguridad que detectan agua insuficiente apagan el calentador. Verifique si el nivel de agua es el apropiado.
2. Los flotadores inferiores no se mueven libremente.
3. Los disyuntores para el sistema de calefacción se han activado (calefacción eléctrica).
4. Las válvulas de suministro de vapor no están completamente abiertas o la presión de suministro es demasiado baja (calefacción por vapor).
5. Protector contra exceso de temperatura activado (calefacción eléctrica). Contacte al servicio técnico de Hobart.
6. Dispositivo de calefacción con fallas (calefacción eléctrica). Contacte al servicio técnico de Hobart.
7. La trampa en la cubeta no funciona correctamente (calefacción a vapor). Contacte al servicio técnico de Hobart.
8. Funcionamiento inapropiado de solenoide para vapor (calefacción a vapor). Contacte al servicio técnico de Hobart.

No se llena o se llena muy despacio

1. Las puertas están abiertas.
2. Los desagües están abiertos
3. El llenado principal (válvula de alimentación de agua) podría estar cerrado.
4. Los flotadores de llenado superiores o inferiores no se mueven libremente.
5. Colador de línea sucio (Fig. 22) ocasionando un flujo de agua reducido. Desconecte el suministro de agua, saque la tapa del colador y retire la malla para limpiarla.
6. Problema con el solenoide. Contacte al servicio técnico de Hobart.
7. Baja presión en suministro de agua entrante.



COLADOR EN LÍNEA

Figura 22

Sin calor del secador de aire (secador de aire para calefacción eléctrica).

1. El motor del soplador no funciona adecuadamente.
2. Disyuntor de los calentadores eléctricos del secador de aire está activado.
3. Protector contra exceso de temperatura activado. La luz roja del indicador de exceso de temperatura está encendida. Contacte al servicio técnico de Hobart.

Sin calefacción en secador de aire (secador a vapor)	<ol style="list-style-type: none"> 1. El motor del soplador no funciona adecuadamente. 2. Solenoide de vapor funciona de manera inapropiada. 3. La válvula de suministro de vapor no está totalmente abierta o la presión es muy baja. 4. La trampa en la cubeta no funciona de manera correcta.
--	--

Lectura en pantalla	Posible solución
<i>Door(s) Open (puerta abierta)</i>	Cierre todas las puertas de inspección.
<i>Tank Drain(s) Open (desagües del tanque abiertos)</i>	Cierre todos los desagües del tanque.
<i>Unload Dishes (descargar vajilla)</i>	Retire todos los utensilios de cocina de la sección de descarga, comenzando por los que están más cerca de las cámaras del lavavajilla. Retire la vajilla que está en contacto con el final de carrera.
<i>Probe Error – [Tank Name] (error de sondeo – [nombre del tanque])</i>	Asegúrese de que el ensamblaje del flotador inferior en el tanque indicado no presenta daño visible y que contiene suficiente agua para cubrir dicho flotador.
<i>Final Rinse Temp Low (baja temperatura en el enjuague final)</i>	<ol style="list-style-type: none"> 1. Verifique que el disyuntor del tanque propulsor del enjuague final está encendido y no se ha activado (si está incluido en el equipo). 2. Verifique que el circuito para detectar exceso de temperatura en el tanque propulsor del enjuague final no se ha activado (si está incluido en el equipo). 3. Asegúrese de que la temperatura del agua de alimentación para el tanque propulsor del enjuague final se encuentra al menos en el valor mínimo estipulado por Hobart. 4. Si el control de temperatura requiere ajustes o si se presenta una falla en un recalentador, contacte a la oficina local del servicio técnico de Hobart.
<i>Check Water Level (revisar nivel de agua)</i>	<ol style="list-style-type: none"> 1. Asegúrese de que todos los desagües estén cerrados y libres de desechos. 2. Verifique que la válvula de alimentación de agua esté abierta. 3. Abra las puertas de inspección y revise el nivel de agua de todos los tanques. El agua deberá estar cerca de 1 pulgada (2,5 cm) o más bajo el borde superior de la bandeja coladora. Cierre las puertas de inspección. 4. Si los tanques presentan fallas en el llenado después de otros 20 minutos, contacte al servicio técnico de Hobart.

