

INSTALLATION
INSTALACIÓN

FT1000e-SERIES DISHWASHERS
LAVE-VAISSELLE DE LA GAMME FT1000e
LAVAVAJILLAS SERIE FT1000e

MODEL
MODÈLE
MODELO

FT1000e-BAS
FT1000e-BAS-BD
FT1000e-EGR
FT1000e-EGR-BD
FT1000e-ADV
FT1000Se-BAS
FT1000Se-BAS-BD
FT1000Se-EGR
FT1000Se-EGR-BD



701 S. RIDGE AVENUE
TROY, OHIO 45374-0001

937 332-3000

www.hobartcorp.com

F41144 (December 2019)

TABLE OF CONTENTS

NOTES FOR THE INSTALLERS	4
HOW TO REDUCE THE CLEARANCE HEIGHT OF THE CONTROL BOX DURING MOVE-IN	4
HOW TO REMOVE ENERGY RECOVERY/VENT HOUSING FOR LOW CLEARANCE	6
UNPACKING	7
Removing Each Section From Its Skid	7
LOCATION	8
Positioning the Center Section	8
Leveling the Center Section	8
ASSEMBLY	9
Rotating Control Box 90 Degrees	9
Installing Foam Tape on Chamber Flanges & Control Box Mounting Surface	9
Attaching Control Box to Unload Section	10
Positioning the Adjacent Load or Unload Sections	12
Leveling the Load and Unload Sections	12
Joining the Sections Together	12
Installing the Curtain Hangers and Unload Air Baffle	13
Installing the Saddle Joint – Bottom of Chamber Flanges	14
Installing the Flowback Pipe (Wash to Prewash Tanks)	15
Installing the Drain Pipe	15
Relocating Master Drain to Load End (Only Machines Equipped with Auto Clean, Auto Delime, & the ASR Section)	16
Drain Back Pan Installation	20
Blower Dryer Assembly	21
Advansys Module Installation	23
Control Box Connections	23
Electric Booster Heater Wiring	24
Door and Drain Interlock Switches (Prewash to Wash Tank)	24
PLUMBING CONNECTIONS	25
Water Supply	25
Fill	25
Final Rinse	25
Drain	26
Line Strainers	26
Steam Supply (When Equipped)	26
Steam Tank Heaters – Condensate Return Lines	27
Steam Booster Heater – Condensate Return Line & Relief Valves	27
Steam Blower Dryer (When Equipped) – Condensate Return Line	27
Fill & Auto Clean (When Equipped) Hose Connections	27
ELECTRICAL CONNECTIONS	30
Motor Overloads	30
Checking Motor Rotation (Three-Phase Motors)	31
Separate Electrical Connections	31
Voltage Adjustment	31
Electrical Connection – Detergent & Rinse Aid Dispensers	32
External Vent Fan Control	32
CONVEYOR ASSEMBLY	33
Loading and Joining the Conveyor Sections	33
Conveyor Offset Side Bar	36
Adjusting the Conveyor Take-Up Unit (Load Section)	37
FT1000e Conveyor Jam Switch Setting Verification/Adjustment	38
MISCELLANEOUS	40
Vent	40
Air Baffle Settings	40
Curtain Configurations	44
Prewash, Wash, and Power Rinse Arms	53
Dual Rinse/Final Rinse Arms	53
Automatic Soil Removal (ASR) Arms (When Equipped)	54
Lower Trim Panels (Front) and Rear Panels	54
Calibrating the Electric Booster Thermostat	55
Conveyor Gear Motor	55
Delime Indicator Setup	55
SERVICE	55

Installation and Care Of FT1000e SERIES DISHWASHERS

SAVE THESE INSTRUCTIONS

GENERAL

NOTES FOR THE INSTALLERS

Read the entire manual before installing the machine.

1. Do not use a forklift to move or unskid machine sections.
2. Do not throw out any loose parts. These may be required for installation or operation.
3. Electrical Connections:
 - Make sure line voltage matches the machine data plate located on the control box.
 - Make sure wiring connections to terminal block match the diagram inside the control box door.
 - Make sure the pilot circuit transformer is set to the correct voltage. Refer to Voltage Adjustment, page 31.
4. Level the center section in operation position. **Center section must be level end to end and front to back.** Refer to Leveling the Center Section, page 8.
5. Conveyor: Refer to the Conveyor Assembly section, page 33. **After installation, the conveyor must run continuously for 15 minutes and then be checked for alignment. Adjust if necessary and rerun for another 15 minutes. Then recheck alignment and retighten locknuts on take-up unit when finished.**
6. Make sure all curtains are in proper operating positions. Refer to Curtain section, pages 44-52.
7. Check all water and steam unions for tightness.
8. Regarding drain installation, make sure that drain piping is free of any leaks.
9. Give the Operation Manual to the owner.

HOW TO REDUCE THE CLEARANCE HEIGHT OF THE CONTROL BOX DURING MOVE-IN

This procedure will reduce the overall height of the control box by 4-1/2" to allow it to travel through a low-height corridor or doorway.

⚠ WARNING The control box must be securely supported by at least two people while its mounting studs are being shifted to lower slots of the shipping braces.

The rear of the main control box is attached to the two shipping braces on the dual rinse/final rinse section by four 5/16-18 threaded studs, washers, lock washers, and nuts. The shipping braces have slots that allow the control box to be lowered by 4-1/2" (Fig. 1).

1. Remove the two shipping hinges from the side of the control box by removing the two 5/16-18 bolts from each bracket.
2. While two people are securely supporting the main control box, remove the four 5/16-18 nuts, lock washers, and washers from the inside of the shipping braces behind the control box.
3. Using at least two people, CAREFULLY withdraw the main control box's rear studs from the shipping braces. Lower the control box threaded studs to the lower slots on the braces. Refasten the control box with the same 5/16-18 nuts, lock washers, and washers removed in step 2.
4. Move the dishwasher past all low-height corridors or doorways.
5. Reverse steps 3, 2, and 1 to return the main control box to its original shipping condition for proper installation.

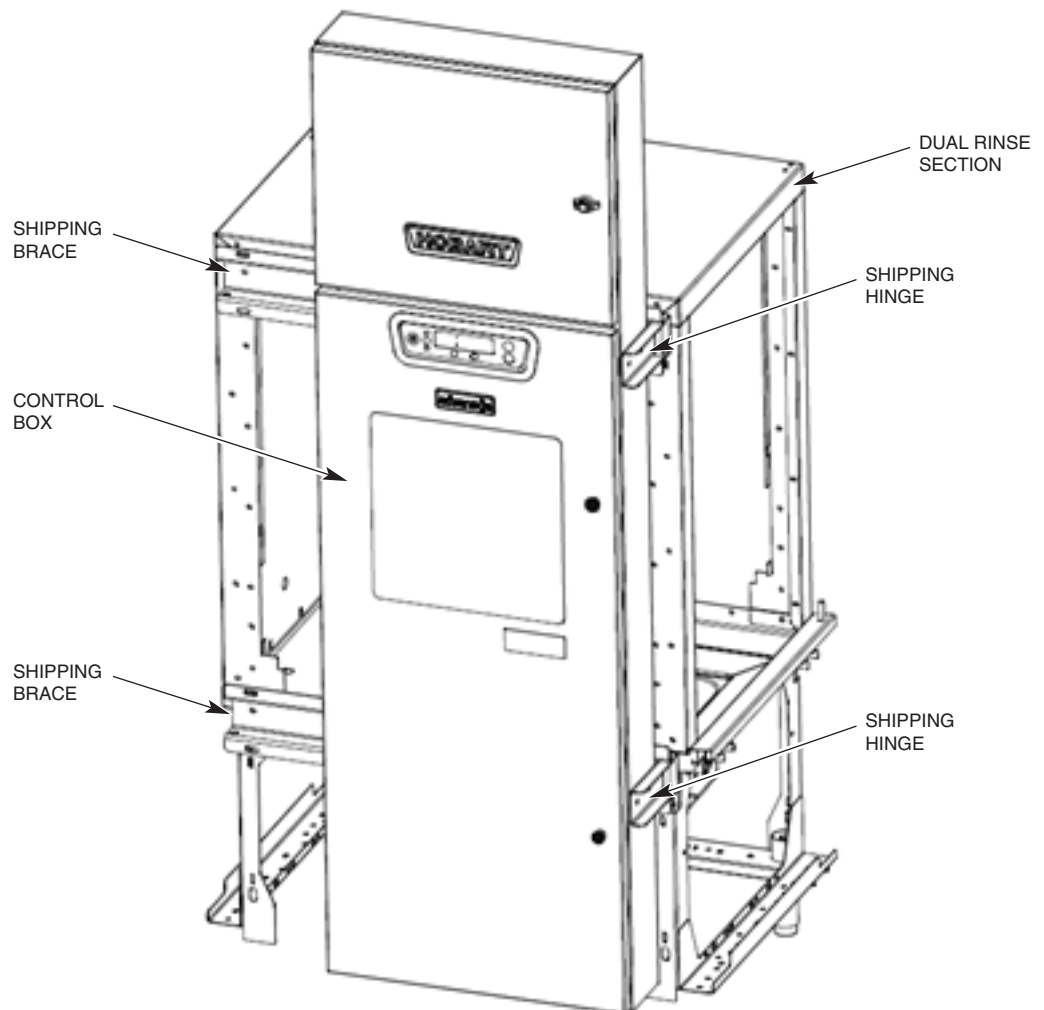


Fig. 1

HOW TO REMOVE ENERGY RECOVERY/VENT HOUSING FOR LOW CLEARANCE

1. Remove the front and rear energy recovery panels by loosening the two nuts on top of each panel (Fig. 2, item A).
2. Remove the drain pan located in the base of the energy recovery assembly (Fig. 2, item B).
3. Remove the three stop nuts located in the corners which secure the energy recovery assembly to the top of the dual rinse chamber.
4. Lift the energy recovery assembly straight up until the base clears the top of the studs and remove the assembly from the top of the machine.
5. Once the center section is moved into the dish room, reinstall the energy recovery assembly, drain pan, and front and rear panels. **NOTE:** Apply permagum to washers when reinstalling.

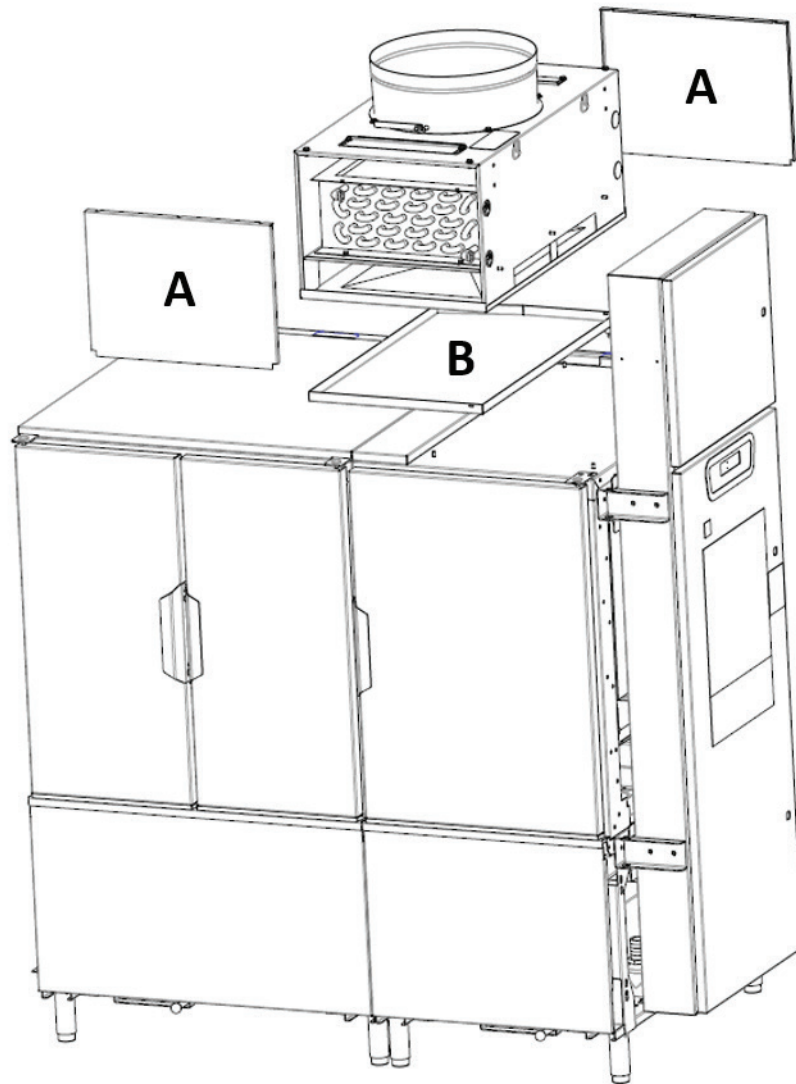


Fig. 2

UNPACKING

Immediately after unpacking the dishwasher, check for possible shipping damage. If the machine is found to be damaged, save the packaging material and contact the carrier within 5 business days of delivery.

Before installation, test the electrical service to make sure it agrees with the specifications on the machine data plate located on the control box. The electrical diagram is located inside the control box.

Strainer baskets, strainer pans, pump inlet strainers and wash arms are taped and shipped in place. Remove tape, but retain parts in their proper places. If any parts are temporarily removed during installation, return to their proper places after installation is complete.

Before installing, check to make sure that necessary electrical, plumbing and exhaust accommodations are provided at the installation location. Take measurements of site's plumbing, electrical and exhaust connections; then take corresponding measurements of the machine to make sure all connections are correctly mated. If necessary to lower control box during move-in, slotted holes are provided on the control box shipping braces to allow adjustment for clearance height. Refer to page 4.

Removing Each Section From Its Skid

NOTICE Do not use a forklift directly on the machine frame or tank to move or lift machine sections. Doing so may result in damage to the machine.

1. Using a forklift or pallet jack, raise one end of the skid and unthread the feet from the legs as far as possible without removing the foot from the leg. Repeat for other end until all feet have been extended out. Lower the skid back to the floor. This will now allow the machine to sit on its feet so the skid can easily be removed.
2. Remove the two end plate screws from the 2x4 runners, located just inside the front and rear legs, at each end of the skid.
3. Remove all lag bolts from the top of the skid cross members along either the front or rear of the machine.
4. From the opposite side of the machine that the lag bolts were removed in step 3, pull the entire skid assembly out from beneath the machine section.
5. Thread the feet into the legs as far as possible; then back out three full turns. Standard legs have 3" threaded studs for maximum adjustment. If special feet were ordered with extra-long leg shanks to accommodate a highly sloped floor, install them where the low points in the floor occur at leg locations on the machine before setting the unit on the floor.
6. Open all inspection doors and remove all wrapped parts and boxes from inside each machine section.

7. Remove and packaging, tape, wire and bracing from each section. Remove all rear and lower panles.
8. Verify that shipping tape has been removed from all floats in each tank and that the floats are free to operate properly.

NOTE: Do not throw out any loose parts. These may be required for installation or operation. Verify all ship loose items have been received per the packing list.

LOCATION

Allow adequate space for machine installation and operation. Place the machine sections close to their final position. Allow space to work on the ends of the center section.

Review, but do not remove tags or labels. Remove tags after installation is complete.

Positioning the Center Section

Use a chalk line on the floor to align the machine along its complete length.

With each section in its approximate final position, determine which section is at the high point in the floor. **Machine assembly begins after the center section has been leveled to a height that compensates for the floor height of the other sections.**

Leveling the Center Section

Leveling is an important installation function because it could affect door operation and cause leaks once the machine is operating.

- Level the center section along its length by opening the doors and placing a level between the doors along the tank support rail (Fig. 3). Do not check level on top of doors. Adjust the feet in or out as required to level.

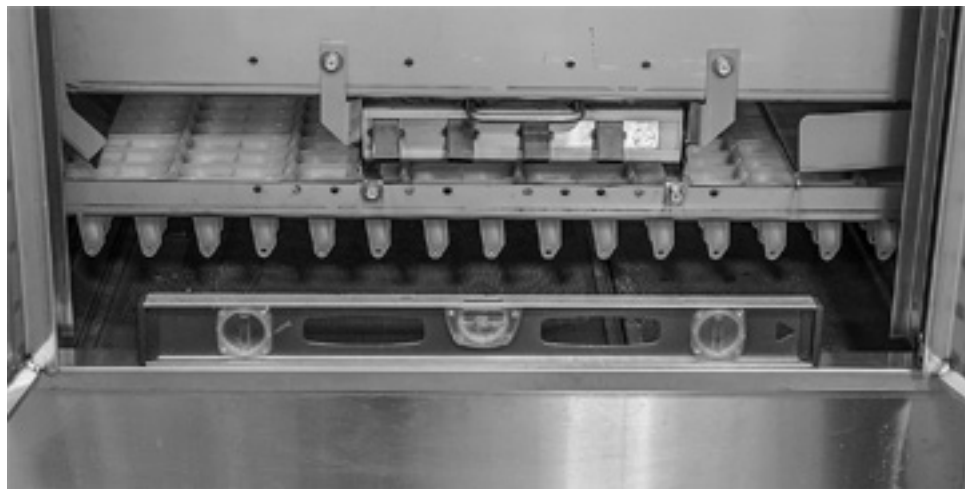


Fig. 3

- Continue to level the center section front to back by removing the top panels and placing level across the top of the chambers on both ends of center section (Fig. 4).



Fig. 4

ASSEMBLY

Rotating Control Box 90 Degrees

The main control box is shipped with the upper and lower shipping hinges connected to the side of the control box. Remove the four 5/16-18 nuts, lock washers, and washers from the inside of the shipping braces behind the control box. Use the shipping hinges (Fig. 1) to rotate the control box 90 degrees. Do not remove the shipping hinges until after the control box is secured to the unload section.

Pull the control box out to allow mating of center and unload sections without interference with studs projecting from rear of control box.

Installing Foam Tape on Chamber Flanges & Control Box Mounting Surface

Cut strips of vinyl foam tape to fit the top, bottom, and vertical sides of the chamber flanges on the end of the load and unload sections to make a good seal. Apply strips of foam tape to the vertical edges of the chamber ends, across the top of the chamber ends, and one strip across the bottom flanges (Fig. 5). Place the foam tape approximately 1/16"-1/8" from the outside edge of the chamber. After the foam tape is applied, trim the excess tape along the chamber edges.

NOTE: The vertical piece of foam tape on the outer edge at the front of the machine must be folded over 1/2" on the sticky side with the rolled edge of the tape positioned towards the front of the machine.

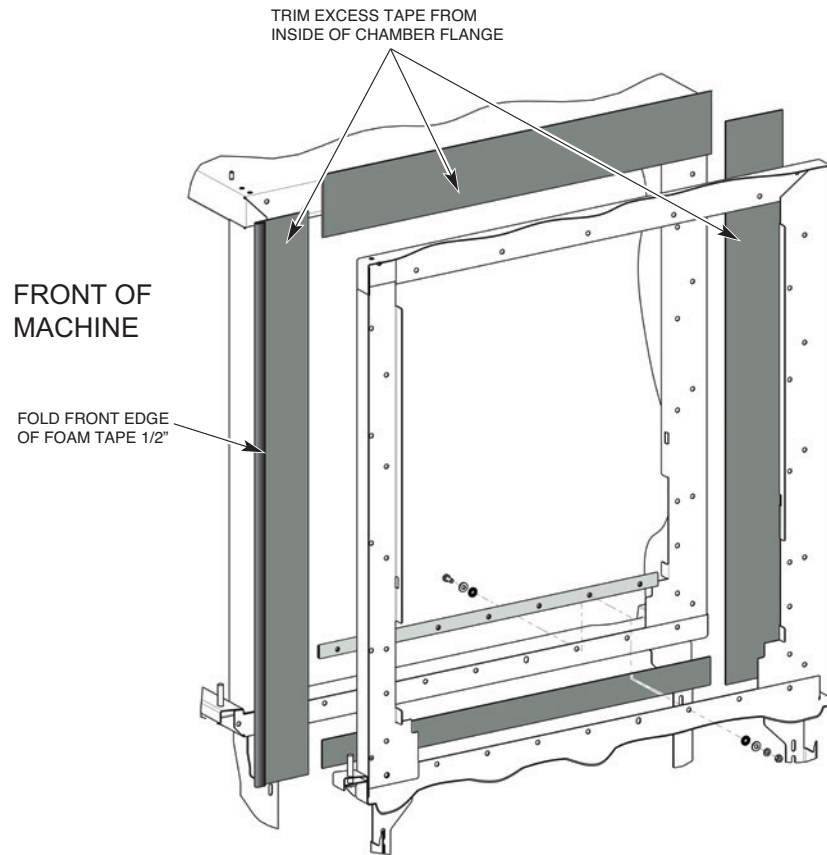


Fig. 5

Apply foam tape to unload chamber section where the rear perimeter of the control box will be mounted.

Attaching Control Box to Unload Section

1. Remove hardware from front and rear detachable legs. **DO NOT RE-INSTALL HARDWARE UNTIL AFTER SECTIONS ARE JOINED.**
2. Remove the detachable leg section on the front leg of the unload section where the control box will be mounted. This will allow the wires, which are preinstalled in the control box, to pass by the leg assembly freely (Fig. 6).

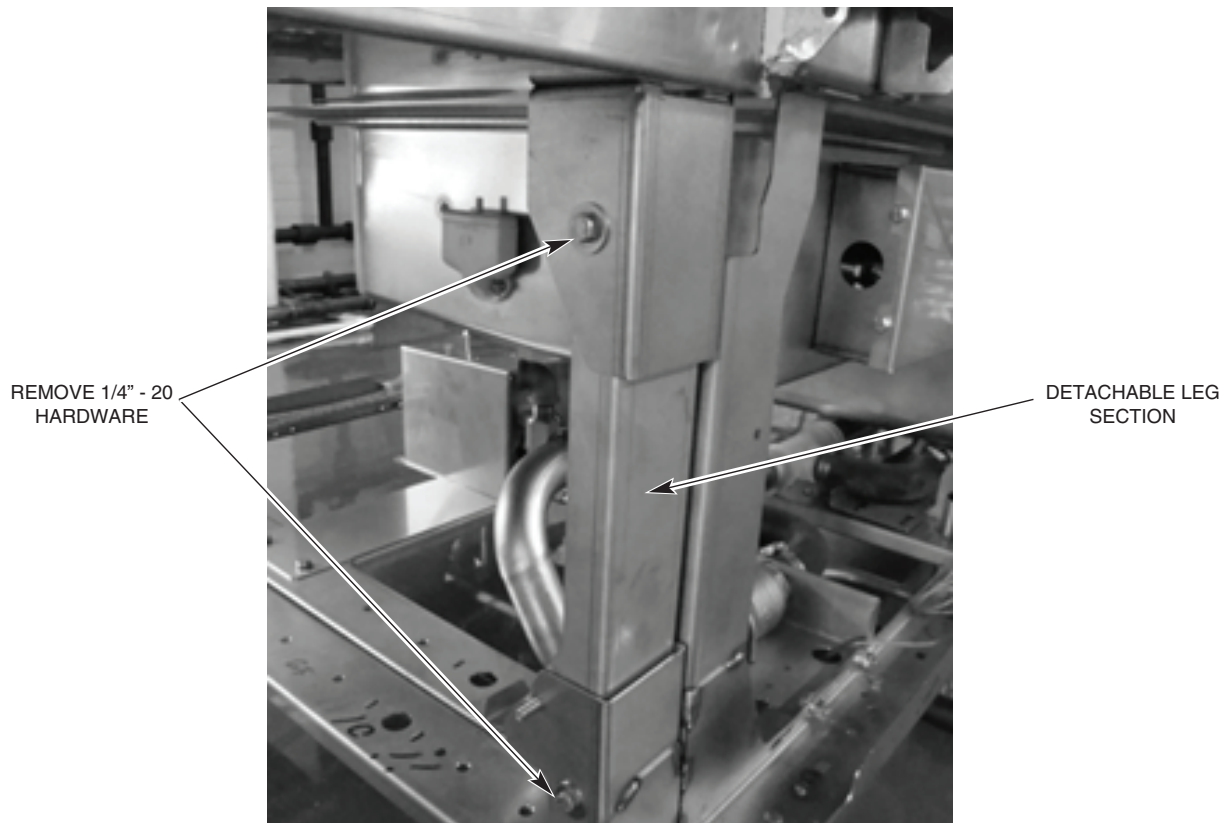


Fig. 6

3. With the control box rotated 90 degrees, move the unload section to within several inches of the center section behind the control box.

NOTE: Ensure wires do not get pinched between sections.

4. Maneuver the unload section so that the four 5/16-18 threaded studs on the back of the control box protrude thru the mounting holes on the unload section.
5. Reinstall the detachable leg section removed in step 1 (without hardware).
6. Secure the control box to the unload section using four 5/16-18 nuts, lock washers, and washers.
7. Once the control box is secured to the unload section remove the two shipping hinges from the side of the control box by removing the two 5/16 bolts and associated hardware from each hinge. The control box is now part of the unload section.
8. Install two 5/16 round head screws in open holes of control box where shipping hinges were removed.
9. Remove the hinges from the shipping braces by removing the cotter pins and hinge pins.
10. Remove the two shipping braces from the end of the dual rinse section by removing the three 5/16 bolts and associated hardware from each brace.

Positioning the Adjacent Load or Unload Sections

Move the adjoining (load or unload) section to within several inches of the prepared end of the center section. Adjust the feet of the section adjacent to the leveled center section so tank supports are the same height. Peel the protective paper from the vinyl foam tape and move the second section to its final position. Be very careful that mating components connect and fit together properly.

Leveling the Load and Unload Sections

The tank support rails should be level across the entire length of the machine (Fig. 3). Sections to be mated should be level front to back (Fig. 4).

- All adjoining components of the two sections are exactly in line with each other.
- Top corners of adjoining sections are the same height.

Joining the Sections Together

Use drift pins to align the holes in the horizontal and vertical chamber flanges of the mated sections. Use C-clamps to hold the sections in position while bolting the chamber front and back flanges together. Exercise care to avoid tearing the foam tape seal.

NOTICE Do not use a forklift directly on the machine frame or tank to move or lift machine sections. Doing so may result in damage to the machine.

Secure the vertical frame corner posts together at two locations using the appropriate hardware (Fig. 7).

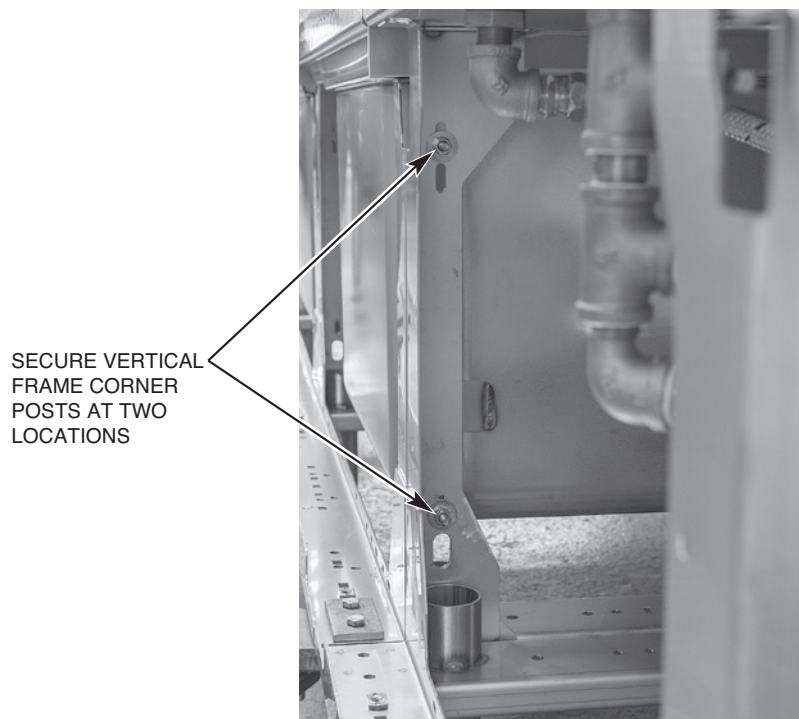


Fig. 7

Installing the Curtain Hangers and Unload Air Baffle

On prewash/wash section joint, install the two curtain hangers on the prewash side of the joint in the upper front and rear corners using the appropriate chamber flange hardware (Fig. 8).

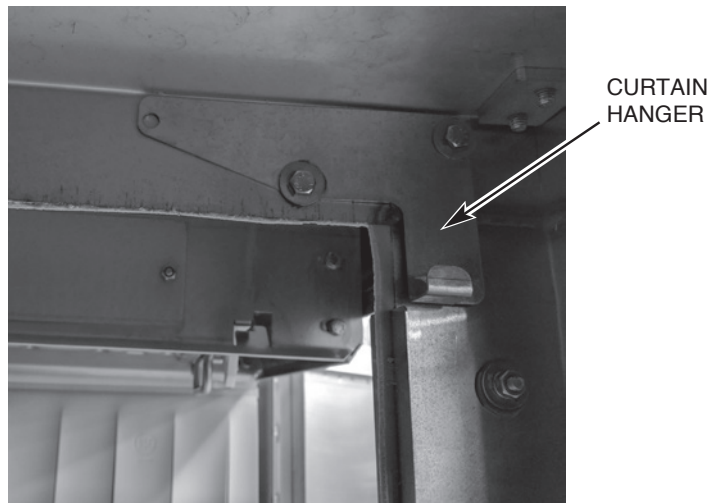


Fig. 8

On dual rinse/unload section joint, install the unload air baffle and two curtain hangers. The curtain hangers mount on to the air baffle studs where they protrude through the upper front and rear corner chamber holes on the final rinse side of the top of the chamber where sections are being joined using appropriate fasteners (Fig. 9). The unload air baffle also has three mounting holes which need to slip over the three studs protruding down from the top of the unload chamber. Secure with ¼-20 nuts, lock washers, and washers (Fig. 10).

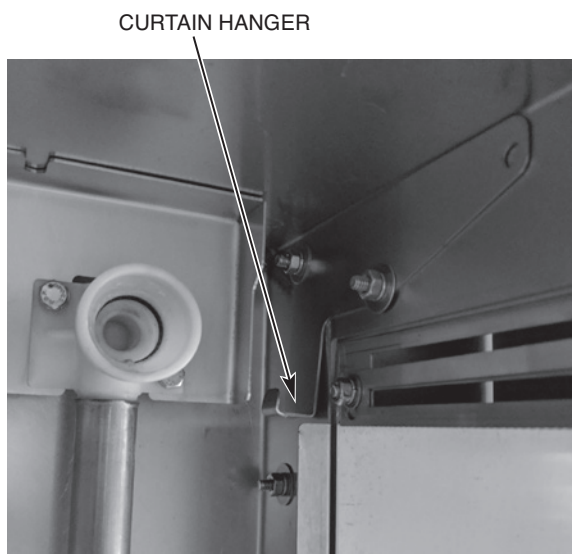


Fig. 9

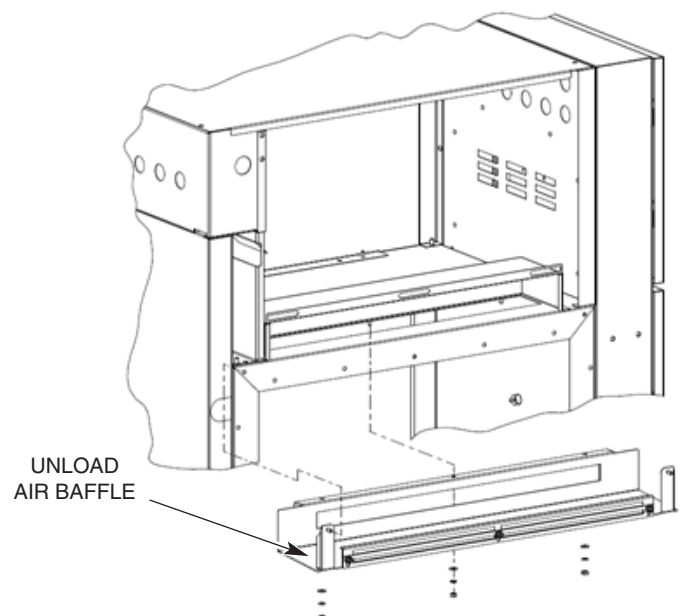


Fig. 10

CHAMBER FLANGE AND BOLT ASSEMBLY AT EACH SECTION JOINT

Description	Qty.	Bolt Size	Assembly Order	Instructions
Short Bolt-Use except where long bolts or medium bolts are required	22	¼-20 x 5/8"	[Bolt, Washer] [Washer, Lockwasher, Nut]	Use permagum on insides of washers on both sides of chamber flanges.
Medium Bolt-Use for curtain hangers and at top and bottom corners of chambers	9	¼-20 x 3/4"	[Bolt, Washer] [Washer, Lockwasher, Nut]	Use permagum on insides of washers at curtain hangers and chamber flanges.
Long Bolt-Use on saddle joints, track/chamber interface, and vertical frame corner posts	15	¼-20 x 1"	[Bolt, Washer] [Washer, Lockwasher, Nut]	Use permagum on insides of washers on both sides of saddle joints and at tracks & chamber flanges.

Installing the Saddle Joint - Bottom of Chamber Flanges

1. Seal the tank end flanges where sections join together using a saddle joint.
2. Position the saddle joint over the tank end flanges and make sure that all bolt holes are aligned. Use drift pins (or punches) to align holes if required.
3. If machine is equipped with the standard conveyor assembly, install baffles along with the saddles using same mounting hardware. Ensure baffles are adjusted to the lowest position to ensure that the baffle does not interfere with the flight links (Fig. 11).

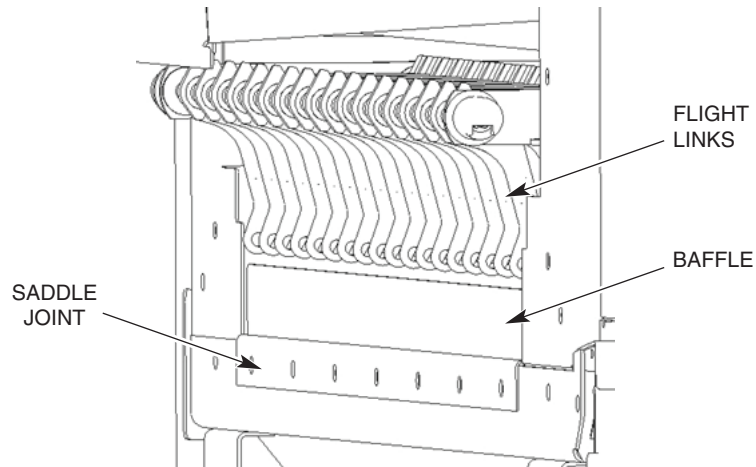


Fig. 11

4. Use Permagum on insides of washers on both sides to make an adequate seal (Fig. 12). You may have to use a C-clamp on the saddle to get the hardware started. Bolt the saddle joint to the bottom tank flanges with seven long bolts, washers, lock washers, and nuts provided.

NOTE: Do not apply foam tape or permagum inside saddle or on surfaces that the saddle covers.

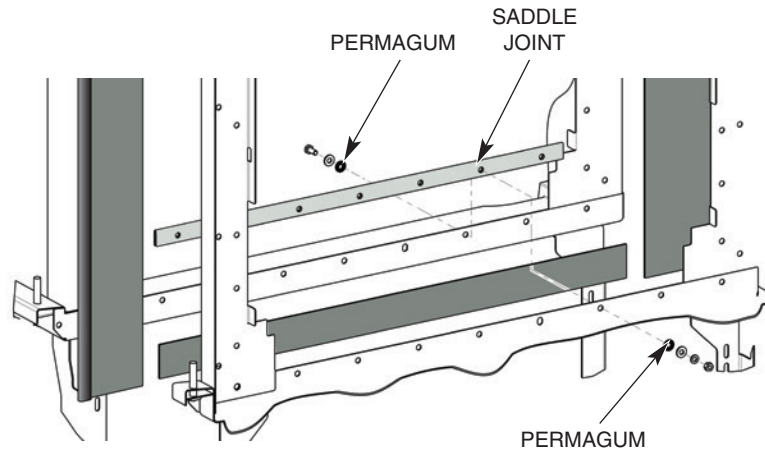


Fig. 12

Installing the Flowback Pipe (Wash to Prewash Tanks)

Install the flowback pipe between the wash tank and the prewash tank (Fig. 13). Make sure the flowback pipe is adequately lubricated with O-ring lube (not supplied). Make sure O-rings are in their proper places on the coupling; two inside and one on the flange end.

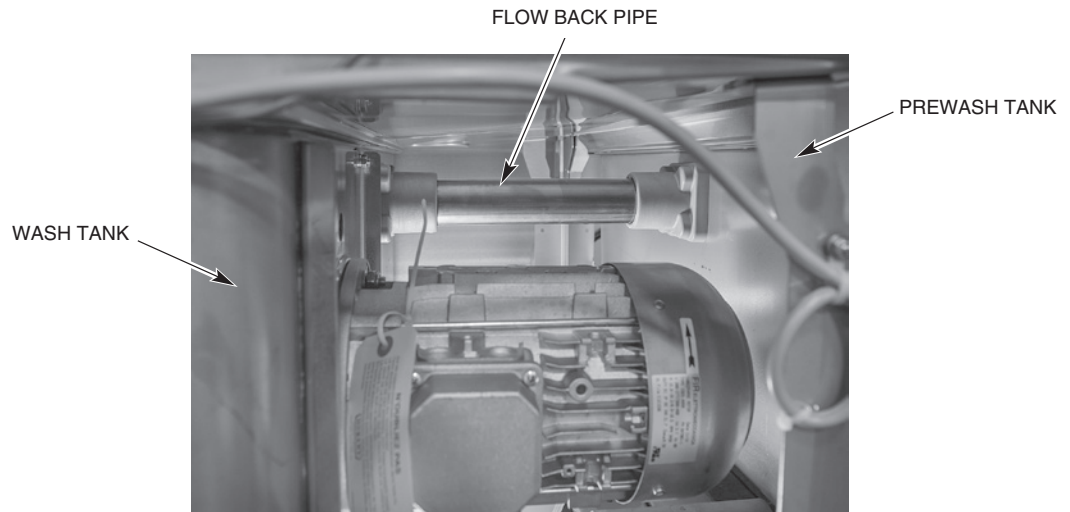


Fig. 13

Installing the Drain Pipe

Install the drain pipe between the adjoining tank sections as follows:

1. Lubricate the molded drain T-connectors at each end of the drain pipe using O-ring lube (not supplied). Do not use animal-, vegetable-, or petroleum-based lubricants.
2. With a twisting motion, slide the pipe into one of the molded drain T-connectors.
3. Lift the other end, align it with the molded drain T-connectors and with a twisting motion, slide the pipe until the drain pipe hits the stop in the tee (approximately 1-1/4" from the face of the tee).
4. Slide hose clamps to ends of drain pipe and tighten to maintain position.

Relocating Master Drain to Load End (Only Machines Equipped with Auto Clean, Auto Delime, & the ASR Section)

NOTE: If the dish machine is equipped with the Auto Clean and Auto Delime features, but does not contain the ASR section, then the Master Drain assembly must remain located at the unload end of the machine. With this configuration, if the customer's drain is located at the load end of the machine, then the drain will need to be plumbed from the unload end back to the customer's drain in the field.

If the installation requires the machine to be drained to the load end, the master drain assembly will need to be relocated as follows:

1. Remove drain handle support bracket by removing the two bolts and associated hardware located on the bottom side of the frame channels. The support bracket may be discarded; however, retain the hardware removed for reassembly on the load end.
2. Remove drain handle weldment by removing M12-1.5mm nut located at the bottom of the drain assembly. Remove magnet retainer and magnet from drain handle weldment and retain the nut, magnet retainer, magnet, and associated hardware for reassembly on the load end. The drain handle weldment may now be discarded.
3. Remove D.I.N. connector from master drain solenoid valve and remove drain interlock switch from bracket securing it to the unload master drain platform. **Retain all hardware for use on load end platform.**
4. Remove three bolts securing master drain assembly platform from bottom of frame channels.
5. Slide platform and master drain assembly towards unload end of unit disengaging the master drain assembly from the drain pipe extending from the dual rinse tank and remove the platform and drain assembly from the unit.

For a L-R machine (steps 6-8):

6. Remove turned down threaded piece (00-949948) from drain tee at the unload end and replace with NPT pipe plug shipped with the machine. 00-949948 can be discarded. See Fig. 14.

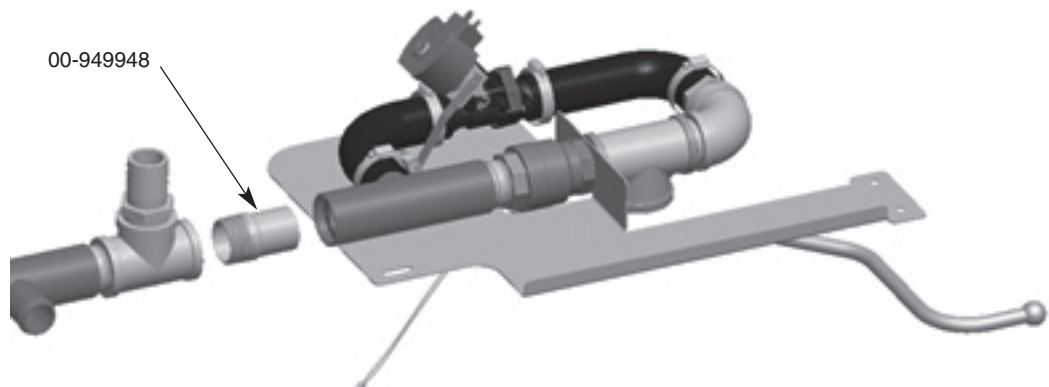


Fig. 14

7. Remove drain cap, clamp, and rubber hose connected to drain tee located at load end of the unit.
8. Swap flanged load end drain tee with the non-flange drain tee located under the wash section.

For a R-L machine (steps 9-11):

9. Remove pipe (00-948761-00018) connecting the master drain and the nearest drain tee. 00-948761-00018 can be discarded. See Fig. 15.

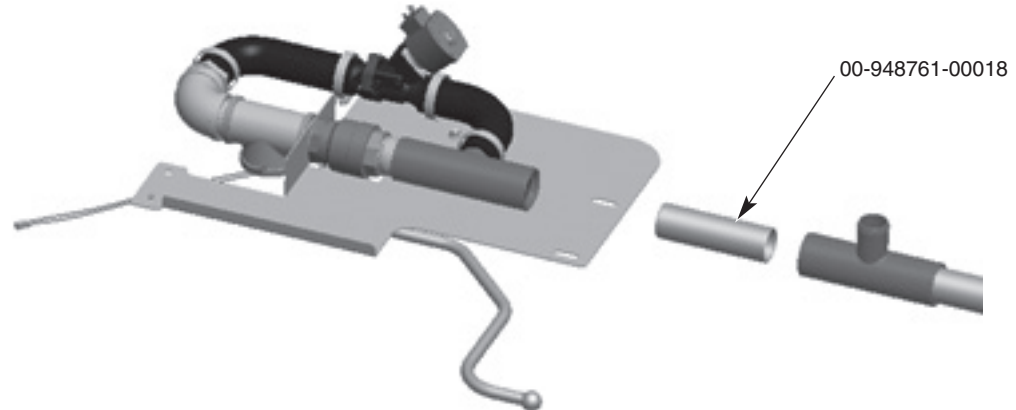


Fig. 15

10. Remove rubber hose connected to drain tee located at load end of the unit.
11. Swap load end drain tee including drain cap and clamp with the non-flange drain tee located at the unload end.
12. Remove two bolts and associated hardware that secures the solenoid valve to the bracket. **Retain these brackets and all hardware for use on load end platform.**
13. Loosen the clamps securing the two rubber hoses to the plastic drain tee and barbed fitting and remove hoses.
14. Unplug drain interlock switch from terminal block 8TB-10 and 8TB-11 in the control box.
15. Remove drain assembly from platform by unthreading the brass tee from the pipe nipple that connects the brass tee to the manual valve.
16. Remove drain interlock switch bracket located on the underside of the platform and the bracket that secured the drain solenoid valve. **Retain these brackets and all hardware for use on load end platform.**
17. Discard unload platform.
18. Attach magnet and magnet retainer with hardware, removed in step 2, to the load end master drain handle weldment shipped with the machine. **Ensure white dot on magnet faces down.** See Fig. 16.



Fig. 16

19. Attach drain interlock switch bracket, removed in step 16, to the underside of the load end master drain assembly platform shipped with the machine.
20. Assemble master drain plumbing, removed in step 15, to the load end platform. **Ensure the brass elbow points towards rear of unit.**

21. Loosen clamps securing rubber hoses to drain solenoid valve and rotate solenoid valve 180 degrees. Retighten clamps.
22. Attach rubber hoses to plastic drain tee and barbed fitting on master drain assembly and tighten clamps. **Ensure assembly matches correct diagram for direction of unit (Fig. 17) and that the solenoid valve is installed correctly for direction of drain water flow.**

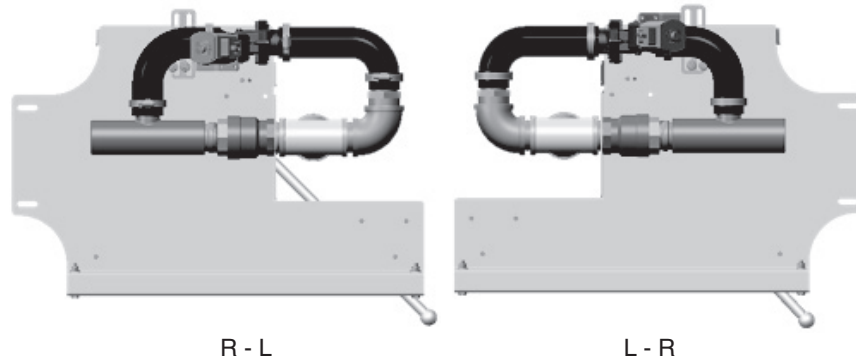
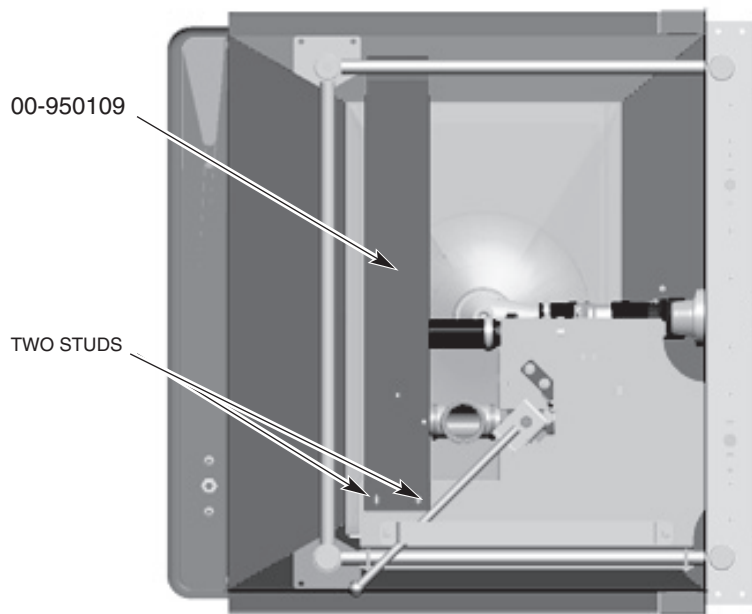


Fig. 17

23. Attach drain solenoid valve bracket, removed in step 16, to the platform and solenoid valve.
24. Remove two bolts, nuts, and washers attached to front of the load platform.
25. Insert drain pipe shipped with the machine (00-948761-00007) into the plastic drain tee on the master drain assembly.
26. Attach master drain assembly and platform to the load end of the machine by sliding platform into the load end so that the drain pipe slips into the plastic drain tee. **Ensure that the platform rests on top of the frame channel below the tee and that the front edge of the platform hooks over top of the front rail support. Reattach the two bolts, washers, and nuts to front of the platform removed in step 24.**
27. Secure platform to frame channels with hardware removed in step 4.
28. Attach drain handle weldment to bottom of master drain assembly with the nut removed in step 2. **Ensure that the handle sits above the drain handle support bracket.**
29. Remove two bolts, nuts, and washers attached to the load support bracket shipped with the machine (00-950109). See Fig. 18.



Bottom View (R-L Machine)

Fig. 18

30. Attach load support bracket to load master drain platform using two studs located on the bottom of the load drain platform. **Ensure bracket wraps over the top of the back rail support.**
31. Reattach the two bolts, washers, and nuts to the bracket removed in step 29.
32. Reroute the drain solenoid valve cable from the unload end to the load end. Connect the D.I.N. connector to the drain solenoid.
33. Connect new interlock switch cable shipped with the machine (949844-40) into terminal block 8TB-10 and 8TB-11 in the control box. Route cable to load end and plug into drain interlock switch using supplied electric connectors.
34. Ensure that the master drain manual valve handle and interlock switch opens and closes properly.
35. Apply the Master Drain label to the lower panel located above the Master Drain handle assembly.

Drain Back Pan Installation

Before installing the conveyor assembly, install the two drain back pans; one between the prewash and wash tank, and one between the dual rinse tank and the unload section.

Install the pan and saddle between the prewash and wash tank to the deflector located in the wash section ensuring that the pan slopes towards the prewash tank (Fig. 19). Secure the pan and saddle to the deflector using four $\frac{1}{4}$ -20 x $\frac{3}{4}$ " bolts and elastic stop nuts. The pins on the bottom of the pan should rest on the top edge of the lower track (Fig. 20).

NOTE: To install the pan and saddle to the deflector, unbolt the deflector from the track to allow clearance for saddle installation.

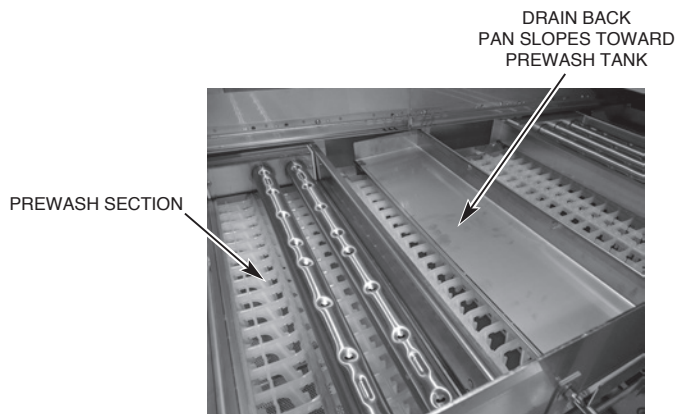


Fig. 19



Fig. 20

Install the pan between the dual rinse and unload section ensuring that the pan slopes towards the dual rinse tank (Fig. 21). Secure the pan to the lower front and rear tracks using two $\frac{1}{4}$ -20 x $\frac{5}{8}$ " bolts and elastic stop nuts. The pins on the bottom of the pan should rest on the top edge of the lower track (Fig. 22).

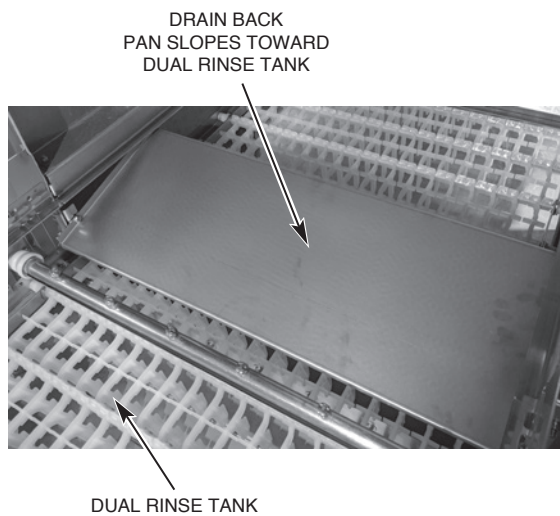


Fig. 21

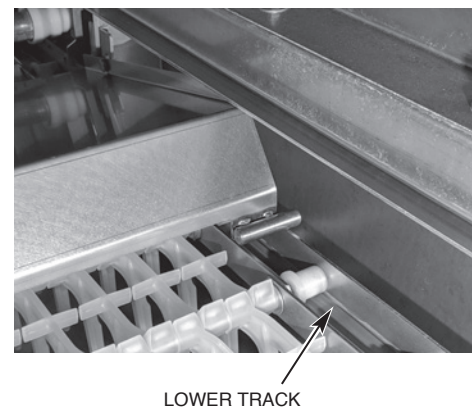


Fig. 22

Blower Dryer Assembly

NOTICE When installing the blower dryer fan assembly, do not stand, sit or lean on top of the air deflector or the air deflector supports as blower dryer performance could be compromised.

1. Remove the blower dryer cover panels; front, rear, and top (Fig. 23).

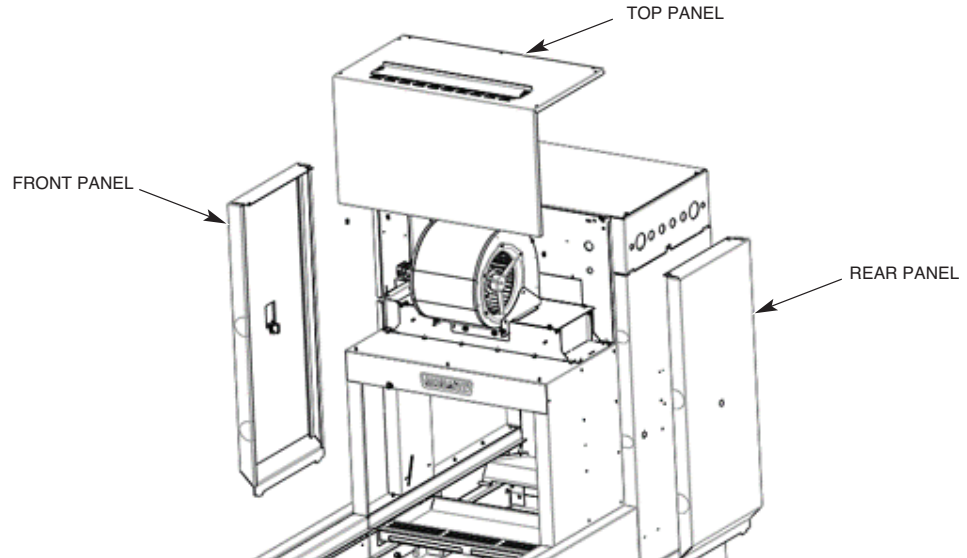


Fig. 23

2. Install the blower assembly on top of the heater housing by lowering the blower assembly on an angle so that the front tabs hook underneath the notches on the top plate of the heater housing (Fig. 24 and 25).

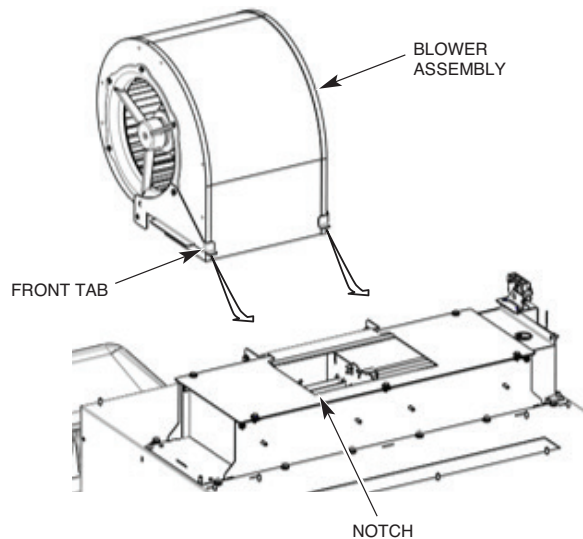


Fig. 24

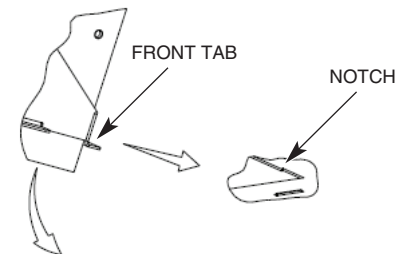


Fig. 25

3. Lower the back side of the blower assembly down so that the holes in the blower mounting brackets line up with the holes in the support brackets on the heater housing (Fig. 26).
4. Install 1/4-20 hex head cap screws with washers and stop nuts as shown in Fig. 26 and tighten.

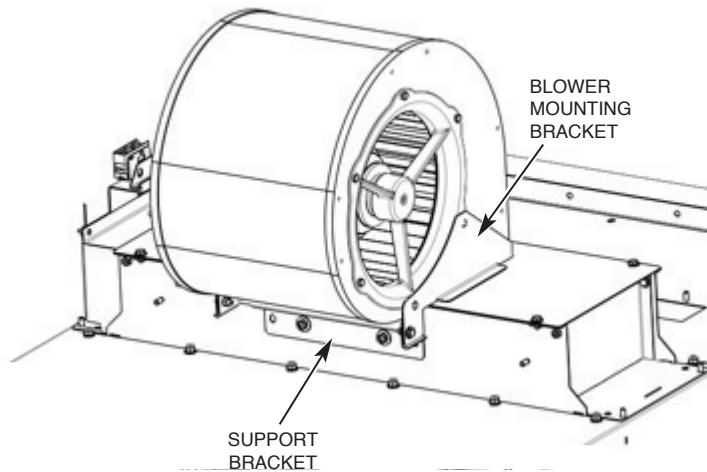


Fig. 26

5. Route blower cable through strain relief located on the vertical enclosure panel and through strain relief located at rear of control box.

NOTE: Ensure that the cable is not routed on the side of the blower where the air intake chamber openings are located.

6. Connect blower motor wires to 9TB terminal block in the control box. If wires are stripped, cut end of wire to remove stripped end before making connection. Ensure motor is wired per machine voltage (see data plate for machine voltage) (Fig. 27).

NOTE: The white wires are not used. Cut the white wires back at the sheath.

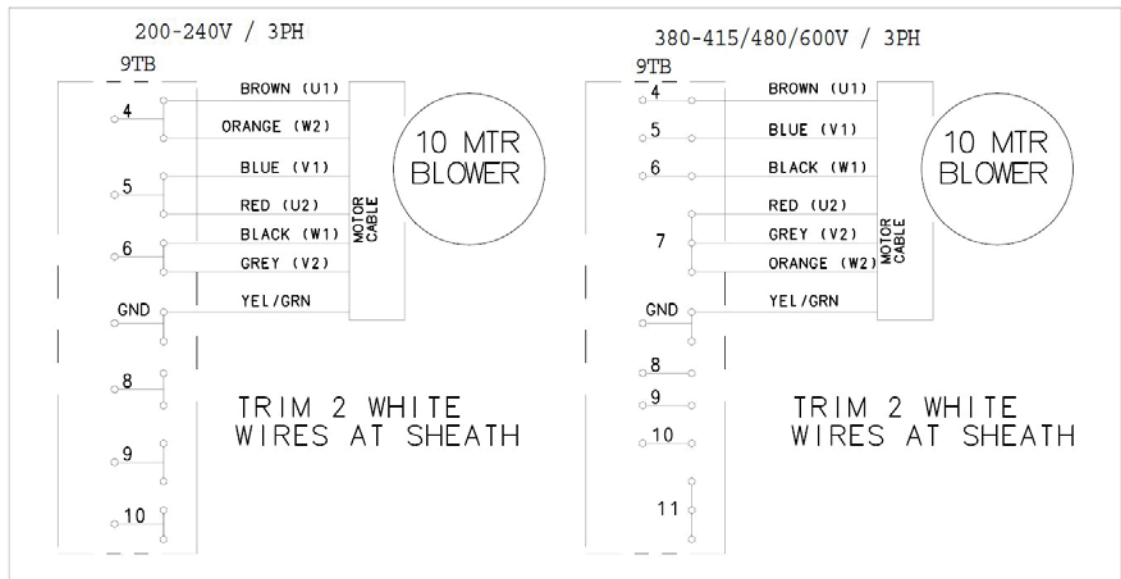


Fig. 27

NOTE: If the blower dryer is equipped with electric heaters, connect electric heater wires marked 7HTR-1, -2, -3, -4, -5 and -6 to the heating elements in the blower dryer (Fig. 28). Also connect the electric heater high limit over temp wires marked 6TAS-C, -NC, & -NO and the over temp warning light wires marked 1PL-X1 & -X2 to the designated terminals located on 6TAS high limit switch mounted to the electric heater element cover plate (Fig. 29) and 1PL over temp warning light mounted on the front blower dryer cover panel (Fig 29).

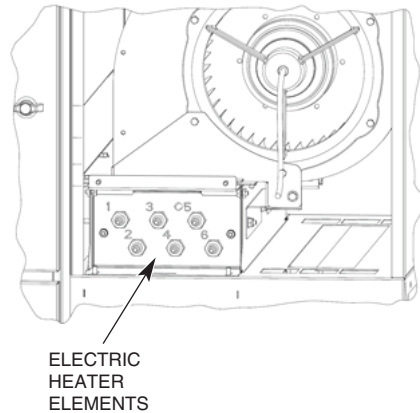


Fig. 28

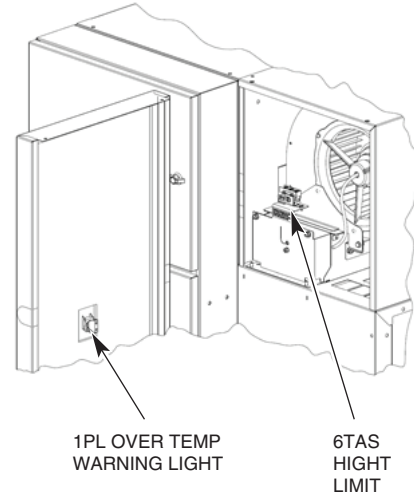


Fig. 29

Advansys Module Installation

Refer to Hobart Service FT1000e Advansys Installation Manual, F-45777.

Control Box Connections

Refer to the electrical diagram stored inside the main control box door. After use, make sure that the diagram is placed inside the control box.

Although each section is prewired, components in the load and unload sections must be electrically connected to the main control box that is attached to the unload section. All wires that need to be connected are furnished with stripped leads and have crimped barrel terminal for terminal block connections. Also provided are locking plug connectors for control boards.

Run wires in proper routing clips, channels and so forth to openings in the lower rear of the main control box. Run wires (in conduit) through conduit fittings; run cordage through strain reliefs. Make proper connections for wires and cordage. Properly tighten strain reliefs and conduit fittings.

After all wires are routed and connected at terminal block, check to make sure any unused holes in the lower rear portion of the control box are plugged.

DO NOT permit electric cables or conduit to touch steam pipes.

When making connections to the terminal block (8TB), insert the wire into the designated terminal opening. Using a small screwdriver, pry the corresponding tab down to make connection and secure wire. **DO NOT STRIP WIRES.**

Using the supplied NSF-approved sealer, apply a bead of caulk where each side of the control box meets the tank support rails to allow any moisture condensation to drain back into the tank.

Electric Booster Heater Wiring

If machine is equipped with an electric booster heater, connect the electric heater wires marked 6HTR-1, -2, -3, -4, -5 and -6 to the heating elements located in the electric booster enclosure (Fig. 30)

NOTE: While holding the back nut behind the wire terminal, torque the outer nut to 16-18 inch pounds,

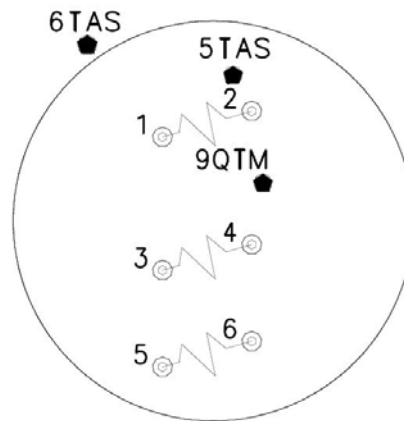


Fig. 30

Door and Drain Interlock Switches (Prewash to Wash Tank)

For L-R machines, route the 4-wire cable from the prewash tank float box into the wash tank float box and tighten the strain relief.

- Remove the red wire from the wire connector which also contains the blue wire labeled DOOR and connect this red wire to the blue wire labeled LS-RED.
- Connect the blue wire labeled DOOR to the second blue wire labeled DOOR from the prewash tank.
- Remove the red wire from the wire connector which also contains the blue wire labeled DRAIN and connect this red wire to the blue wire labeled DS-RED.
- Connect the blue wire labeled DRAIN to the second blue wire labeled DRAIN from the prewash tank.

For R-L machines, route the 4-wire cable from the wash tank float box into the prewash tank float box and tighten the strain relief.

- Connect the blue wire labeled LS-BLACK to the black wire from the wash tank door reed switch cable (cable thru upper strain relief).
- Connect the blue wire labeled DOOR to the red wire from the wash tank door reed switch cable (cable thru upper strain relief).
- Connect the blue wire labeled DS-BLACK to the black wire from the wash tank drain reed switch cable (cable thru middle strain relief).
- Connect the blue wire labeled DRAIN to the red wire from the wash tank drain reed switch cable (cable thru middle strain relief).

NOTE: Two extra wire connectors are provided in the parts installation box.

PLUMBING CONNECTIONS

Check all factory water lines, particularly unions. Tighten if necessary.

Water Supply

The water supply must be within the recommended hardness range of 3 grains or less per gallon. Higher hardness may cause excessive formation of lime scale. Chlorides must not exceed 50 ppm.

WATER PRESSURE REQUIREMENTS (FLOWING) – PSIG

	Hot Water	Cold Water
FT1000e/FT1000Se	30-35	---
FT1000e/FT1000Se with Auto Clean	40-45	---
FT1000e-EGR/ FT1000Se-EGR	30-35	30-35
FT1000e-EGR/ FT1000Se-EGR with Auto Clean	40-45	30-35
FT1000e-ADV	40-45	30-35

If the water pressure is higher than these requirements, a pressure regulating valve with internal thermal expansion bypass must be supplied and installed (by others) in the water supply line to the dishwasher.

NOTICE The water pressure regulator must have a relief bypass. Failure to use the proper type of pressure regulator may result in damage to the unit.

A water hammer arrestor meeting ASSE-1010 standard or equivalent should be supplied and installed (by others) in the hot and cold (if applicable) water supply lines at the service connections.

Fill

All machines have a single 1" NPT female common connection point for the fill. The minimum water temperature for this connection is 110° F.

Final Rinse

For FT1000e Base models, the required minimum hot water temperature for the final rinse is 110° F when an electric or steam booster heater is supplied (same connection point for fill). For FT1000e Energy Recovery and Advansys models, the minimum cold water temperature for the final rinse is 55° F when an electric or steam booster heater is supplied. The Energy Recovery and Advansys models have a single 1" NPT female cold water connection point.

NOTICE Remove the final rinse arms and purge the final rinse system prior to operation. This will reduce the possibility of clogging the final rinse nozzles. To properly purge the unit, activate the final rinse for 3 to 5 minutes and then reinstall the rinse arms.

Drain

For machines without Auto Clean or Auto Delime, connect the drain at the 2" NPT threaded fitting located at either the load end or the unload end of the machine.

NOTE: The plug fitting and the threaded drain fitting can be interchanged to reverse the drain end of the machine.

On machines equipped with Auto Clean and/or Auto Delime, the master drain assembly is located at the unload end of the machine. Connect the drain at the 2" NPT threaded fitting. See RELOCATING MASTER DRAIN TO LOAD END (page 16) if machine drain is to be located at load end.

NOTE: On machines equipped with Auto Clean and without the ASR section, the master drain assembly cannot be relocated to the load end of the machine.

If a grease trap is required by code, the drain should have a flow rate of 38 gallons per minute.

Line Strainers

Line strainers on the machine should be cleaned after installation and within the first week of operation. The line strainers will collect oils and other contaminants. Clogged line strainers will cause restrictions to the flow of water or steam and will reduce overall performance of the machine.

Steam Supply (When Equipped)

Check all factory steam lines for leaks, particularly unions. Tighten if necessary.

The steam supply must be 12-45 psig flowing pressure at the dishwasher. Machines have a single 1 ½" NPT female fitting for connection underneath the unload end.

NOTE: If available steam pressure is less than 12 psi flowing at the machine, contact Hobart Warewash Sales Engineering.

STEAM USAGE / REQUIREMENTS – POUNDS PER HOUR					
Model	Tank Heat	Booster 110 F Incoming Water, 75 F Rise	Dryer	TOTAL Tank Heat & Booster	TOTAL Tank Heat, Booster, & Dryer
FT1000e-BAS	215	64	-	279	-
FT1000Se-BAS	194	64	-	258	-
FT1000e-BAS-BD	215	64	52	279	331
FT1000Se-BAS-BD	194	64	52	258	310
FT1000e-EGR	215	64	-	279	-
FT1000Se-EGR	194	64	-	258	-
FT1000e-EGR-BD	215	64	52	279	331
FT1000Se-EGR-BD	194	64	52	258	310
FT1000e-ADV	138	-	-	138	-

Steam Tank Heaters – Condensate Return Lines

The wash tank, power rinse tank, and dual rinse tank may be equipped with steam coil tank heaters. If steam coils are used, a condensate return, gravity type, must be connected for each coil. Bucket-type traps are furnished. The connection points for the condensate return lines for all three coils are ¾" NPT female pipe fittings. Condensate lines must not be plumbed uphill.

Steam Booster Heater – Condensate Return Line & Relief Valves

The connection point for the condensate return line for the steam booster heater is a ¾" NPT female pipe fitting. Bucket type trap is furnished. Condensate lines must not be plumbed uphill. The steam booster heater is equipped with a steam relief valve that has a 1" NPT female pipe fitting that must be piped to an open drain receiver in the floor. The steam booster heater is also equipped with a hot water relief valve that has a ¾" NPT female pipe fitting that must be piped to an open drain receiver in the floor.

The steam booster thermostat (bulb and capillary tube style) is mounted and wired in the main control box. The bulb and capillary tube is shipped with the control box on the center section. During installation, the bulb and capillary tube must be carefully uncoiled and routed to the steam booster and inserted in the booster outlet hot water line through the supplied fitting. Insert the bulb two-thirds of the way into the booster body (refer to tag attached to thermostat, F-44107).

Steam Blower Dryer (When Equipped) – Condensate Return Line

NOTE: The steam blower dryer is equipped with a steam on/off valve. The steam supply is ON when the machine is ON and OFF when the machine is OFF.

The steam blower dryer has a condensate return, gravity type; bucket type trap furnished. The connection point for the condensate return line for the coil is a ¾" NPT female pipe fitting. Condensate lines must not be plumbed uphill.

Fill & Auto Clean (When Equipped) Hose Connections

Route Fill & Auto Clean hoses from solenoid valves, located under the unload section, to appropriate tank connection fittings. See below diagrams for solenoid valve to tank designations (Fig 31 & 32).

Cold Water - Braided Stainless Steel Hose Connections

1. Final rinse pump outlet to top of energy recovery coil.
2. Bottom of energy recovery coil to plumbing connection at bottom of booster.
3. Top plumbing connection of booster to final rinse plumbing assembly.

Hot Water - Braided Stainless Steel Hose Connections

1. Autoclean master valve outlet to vacuum breaker inlet.
2. Vacuum breaker outlet to autoclean manifold.

3. Prewash hot water fill valve to prewash fill air gap box.
4. Power rinse hot water fill valve to power rinse fill air gap box.
- A. For FT1000Se models, wash hot water fill valve to wash fill air gap box.

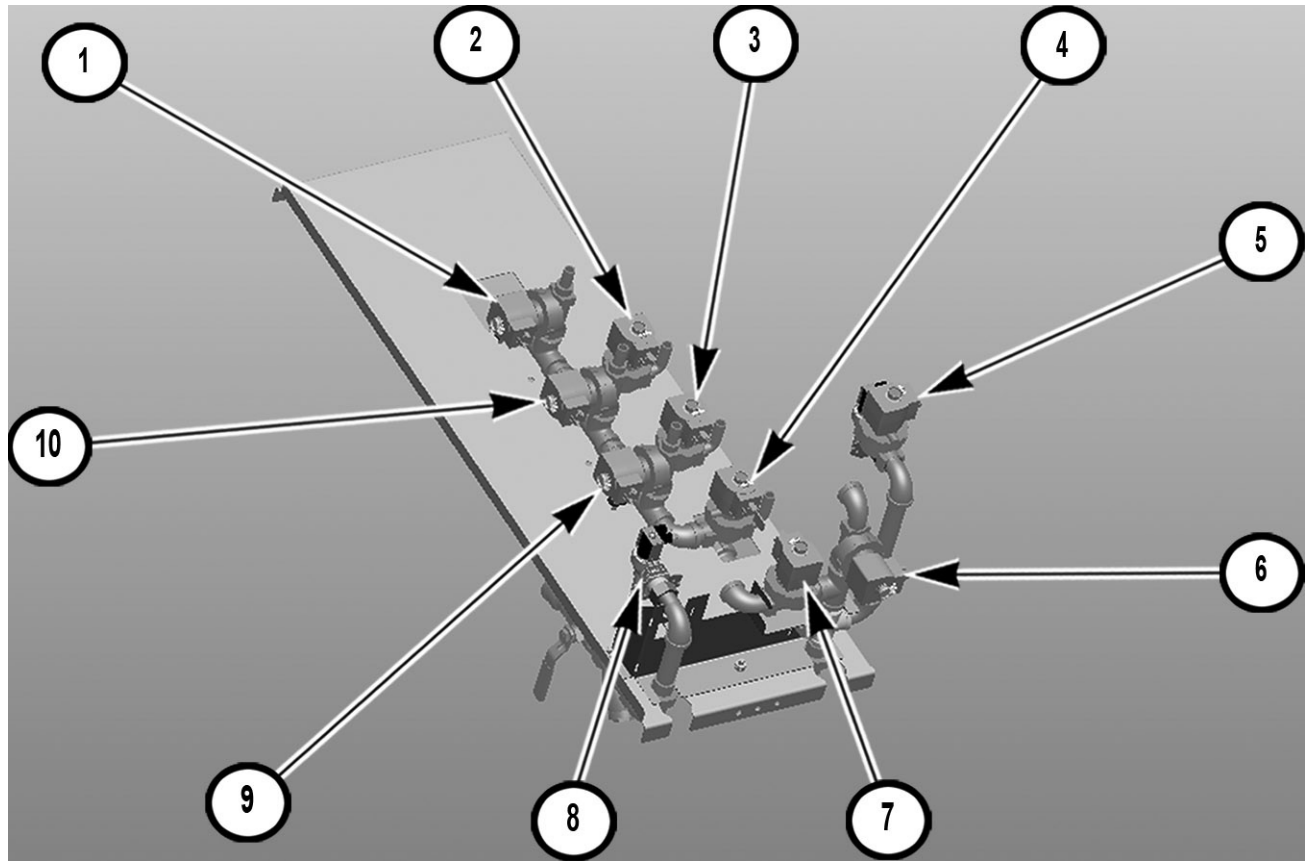


Fig. 31

Right to Left Solenoid Valve Layout		
Number	Description	Solenoid Valve
1	Autoclean ASR valve	9 SOL
2	Autoclean Prewash / Wash Lower Nozzles valve	10 SOL
3	Autoclean Wash Upper Nozzles valve	12 SOL
4	Autoclean Dual Rinse valve	14 SOL
5	Autoclean Master Valve	15 SOL
6	Power Rinse Hot Water Fill Valve	1 SOL
7	Prewash Hot Water Fill Valve	3 SOL for FT1000 2 SOL for FT1000S
8	Cold Water Fill Valve	5 SOL
9	Autoclean Power Rinse valve	13 SOL
10	Autoclean Prewash Upper Nozzles valve	11 SOL

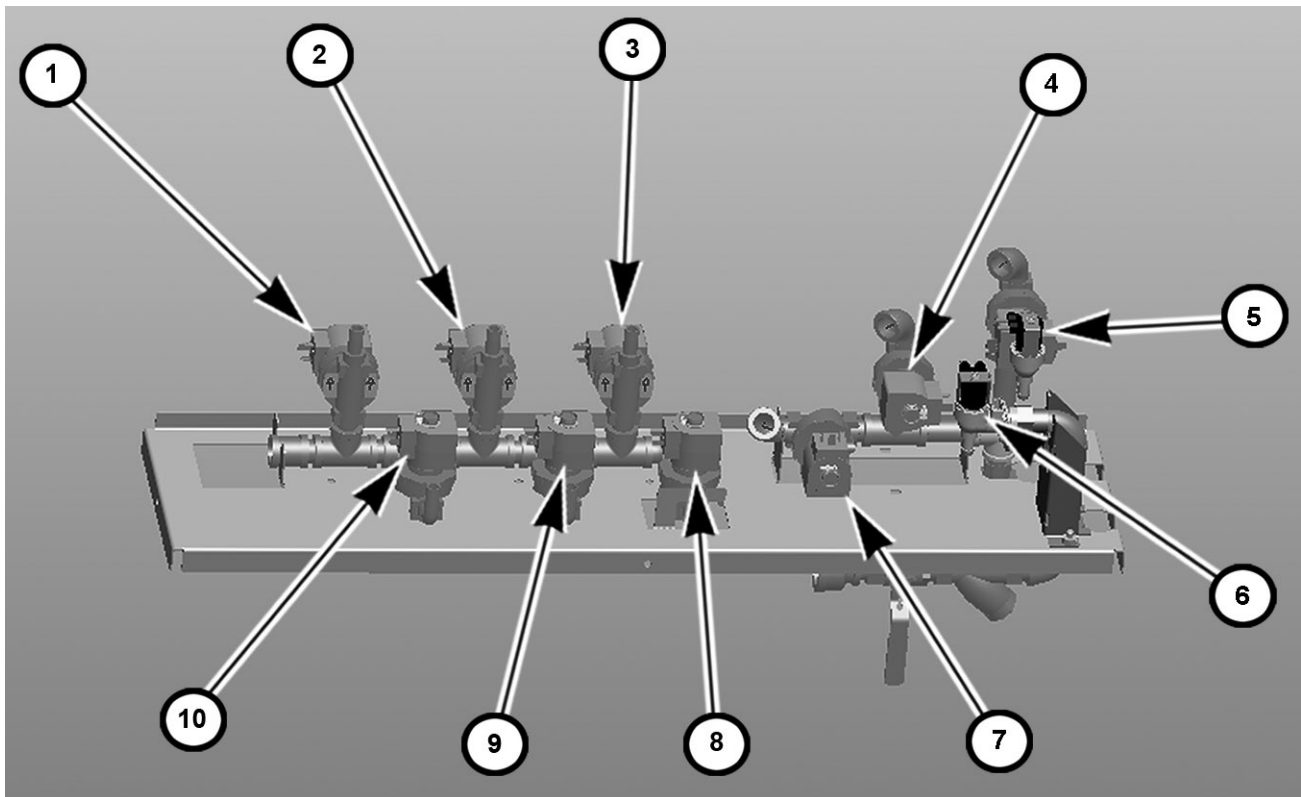


Fig. 32

Left to Right Solenoid Valve Layout		
Number	Description	Solenoid Valve
1	Autoclean ASR valve	9 SOL
2	Autoclean Prewash Upper Nozzles valve	11 SOL
3	Autoclean Power Rinse valve	13 SOL
4	Power Rinse Hot Water Fill Valve	1 SOL
5	Autoclean Master Valve	15 SOL
6	Cold Water Fill Valve	5 SOL
7	Prewash Hot Water Fill Valve	3 SOL for FT1000 2 SOL for FT1000S
8	Autoclean Dual Rinse	14 SOL
9	Autoclean Wash Upper Nozzles valve	12 SOL
10	Autoclean Prewash / Wash Lower Nozzles valve	10 SOL

NOTE: For FT1000e and FT1000Se (Non-Advansys), Autoclean master valve will become hot water fill for pumped rinse, on both directions.

ELECTRICAL CONNECTIONS

⚠ WARNING Electrical and grounding connections must comply with applicable portions of the National Electrical Code (NFPA No. 70, latest edition) and/or other local electrical codes.

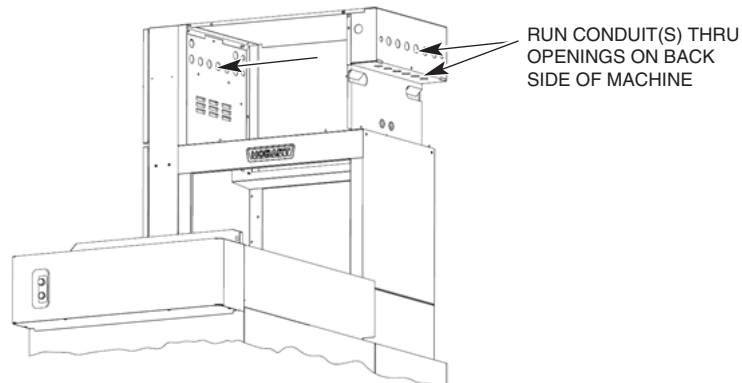
⚠ WARNING Disconnect the electrical power to the machine and follow lockout/tagout procedures. There may be multiple circuits. Be sure all circuits are disconnected.

With power to all service connections locked out/tagged out, verify that the line and load service connections have been properly tightened.

Refer to the electrical diagram located inside the control box door. Some machines may require more than one electrical power supply connection. All electrical supply lines to the machine must be disconnected when servicing machine.

Run electrical conduit(s) thru provided openings on the back side of the machine behind the control box. Install conduit fitting(s) at knockouts located at rear of control box (Fig. 33).

FEED CONDUIT(S) ACROSS OPENING BEHIND CONTROL BOX
AND TERMINATE AT KNOCKOUTS LOCATED AT REAR OF
CONTROL BOX WITH PROPER CONDUIT FITTING(S)



RUN CONDUIT(S) THRU
OPENINGS ON BACK
SIDE OF MACHINE

Fig. 33

Motor Overloads

Ensure all motor overloads in control panel are not tripped by pressing in on the blue reset button located on the front of each motor overload (Fig 34). Verify all overloads are set to the proper amp rating per the chart located on the wiring diagram and adjust as required.

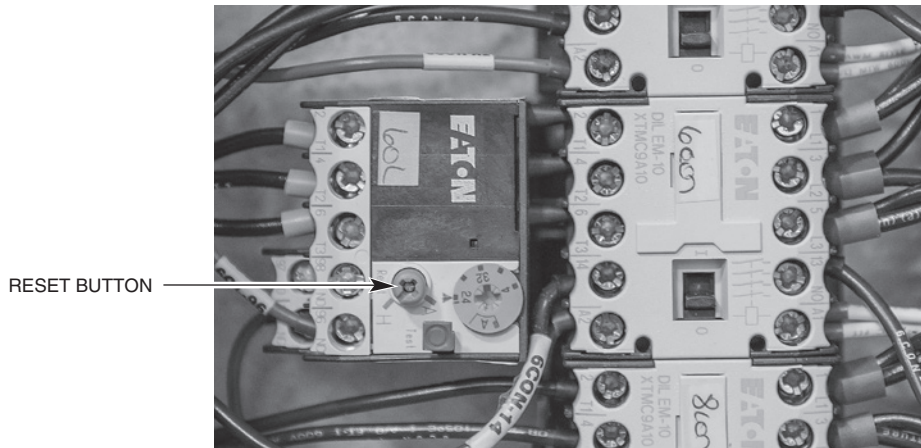


Fig. 34

Checking Motor Rotation (Three-Phase Motors)

Pumps, conveyor motor, exhaust fan and blower dryer fan motors (when equipped) are all three-phase motors. Before placing machine into service, check to verify correct rotation by observing motor direction.

If any pump motor does not rotate in the correct direction, check the rotation of the other motors. If they all are rotating backward, disconnect the electrical supply and interchange any two of the incoming power supply leads. If all motors are not running in the correct direction, only change the two incoming wires of the motor(s) that is running backward. Reconnect electrical power, push the START switch and verify that the motors rotate in the proper direction.

NOTE: If the conveyor motor does not rotate in the correct direction, disconnect the electrical power supply and interchange any two of the conveyor motor wires from the Frequency Inverter at terminal 8TB-1, -2, or -3.

Separate Electrical Connections

Separate electrical connections in the main control box may be required for an optional electric blower dryer heater (when equipped) and for optional electric tank heaters (when equipped) unless equipped with optional circuit breakers. When equipped with an optional electric booster heater, a separate electrical connection at the booster is always required.

Voltage Adjustment

This adjustment procedure applies to all FT1000e dishwashers equipped with steam heat and rated at 200 to 240 volts, 50/60 Hz, 3 phase. All other FT1000e dishwasher voltages are preset at the factory and do not require this adjustment procedure.

THIS PROCEDURE MUST BE DONE ONLY BY A QUALIFIED HOBART-TRAINED SERVICE TECHNICIAN.

If the supply voltage to the machine is 224 to 264 volts, no change is necessary. The control circuit transformer [1T] should already be set to operate at 240 volts.

If the supply voltage to the machine is 177 to 224 volts, the control circuit transformer [1T] must be changed to operate at 208 volts.

Electrical Connection - Detergent & Rinse Aid Dispensers

NOTE: This machine must be operated with an automatic detergent feeder, including a visual means to verify that detergents are delivered or a visual or audible alarm to signal if detergents are not available for delivery to the washing system. Please see instructions for electrical and plumbing connections located in this manual and in the feeder equipment manual. Chemical feeders are supplied and installed by others.

The machine electrical supply voltage can be used to supply electrical power source for a detergent dispenser and/or a rinse aid dispenser-up to 1.5 amperes each.

Terminal connections, DPS1 and DPS2, are provided for a detergent dispenser (ON when the pumps are running). Terminal connections, RPS1 and RPS2, are provided for a rinse aid dispenser (ON when the final rinse is on). A location for 1/2" conduit is provided at the rear of the control panel for connection of these devices.

A plugged hole is provided in the wash tank on the left side towards the front lower corner for a detergent sensor probe. A plugged hole is provided at the rear of the wash chamber for a liquid detergent dispenser inlet. A 1/8" NPT plug is provided at the rear side of the holding tank located under the unload end of the machine for a rinse aid inlet (Fig. 35). The preferred location for a detergent dispenser and/or rinse aid dispenser is at the top of the machine. Two stainless steel brackets are provided for dispenser mounting (shipped loose, field install at preferred locations on top panels of unit). Route all plumbing and wiring between the rear access panels and chamber where possible.

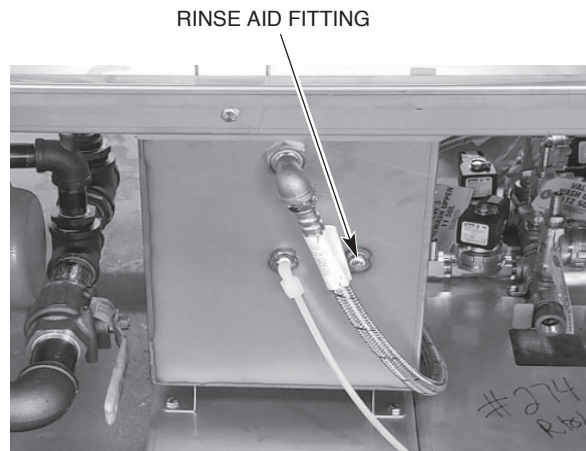


Fig. 35

External Vent Fan Control

The vent fan control circuit can be used to switch the facility's exhaust vent fan on and off with the dish machine. The vent fan is ON when the main power switch on the dish machine is turned on and the vent fan is OFF when the main power switch on the dish machine is turned off. The vent fan control connection points are labeled VF1 and VF2 and are located on 9TB terminal block in the upper control box behind the stainless-steel protective cover. A 1/2" conduit hole is provided at the rear of the control panel for the vent fan control conduit connection.

The vent fan control circuit is a switching circuit. Power for the circuit is supplied from the facility's control power to the exhaust fan on the roof.

Maximum pilot duty load for the VFC switch connection is 1.5 amps.

CONVEYOR ASSEMBLY

Prior to installing the conveyor, loosen the two stop nuts located on both the front and rear take-up assemblies on the outside of the tracks located at the load end of the machine. Thread the adjusting bolts out as far as possible moving the front and rear conveyor guides towards the machine entrance (Fig. 36).

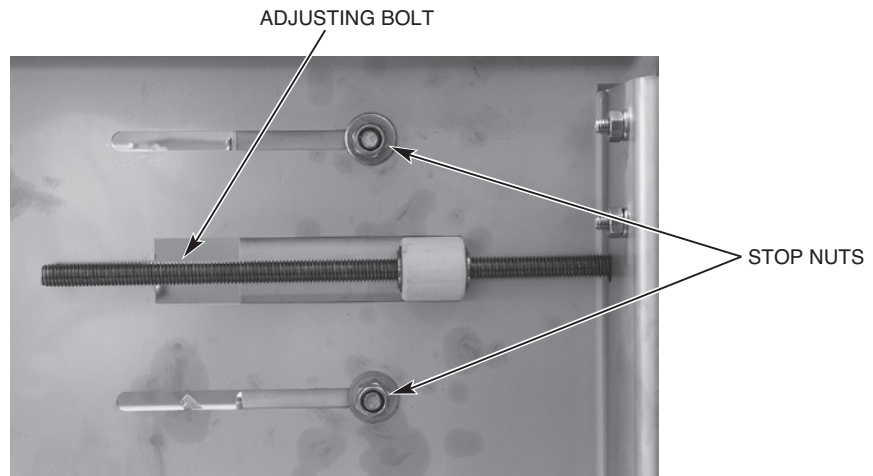


Fig. 36

Remove the conveyor drive chain from the conveyor gear motor.

Loading and Joining the Conveyor Sections

- All conveyor sections are numbered: ROLL 1, ROLL 2, ROLL 3, ROLL 4, etc.; install them in numerical sequence.
- Remove 3" tall track extensions from load end (front & rear) by removing two sets of hardware to install conveyor. Re-assemble track extensions after conveyor is assembled.
- Raise the loading platform and place a piece of cardboard under, around and above the platform to protect it from being scratched during conveyor installation.
- Remove the chain cover on the unload end and then remove the drive chain from the conveyor gear motor so that the conveyor sprockets are free to rotate.
- Position the first section of conveyor in line with the machine at the load end. The flight links must lean towards the load end of the machine (Fig. 37).
- For welded security conveyor assemblies, ensure the retaining rings are tack welded to the conveyor rods.

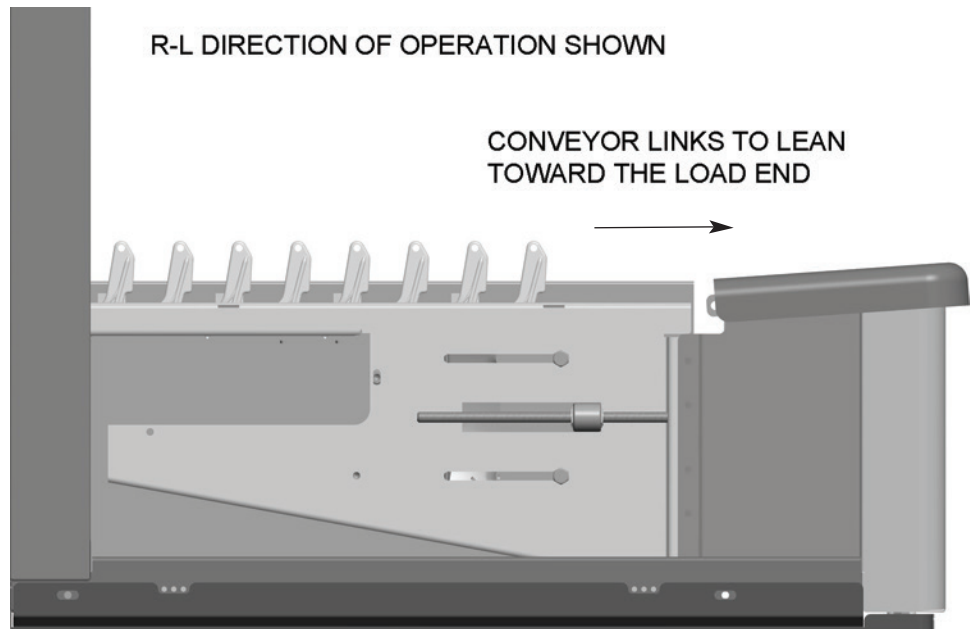


Fig. 37

- Tie a rope to the first conveyor rod. Feed the rope through the machine following the desired path of the conveyor with the flight links pointing up. The conveyor rollers must be fed between the upper roller guide and the track (Fig. 38).

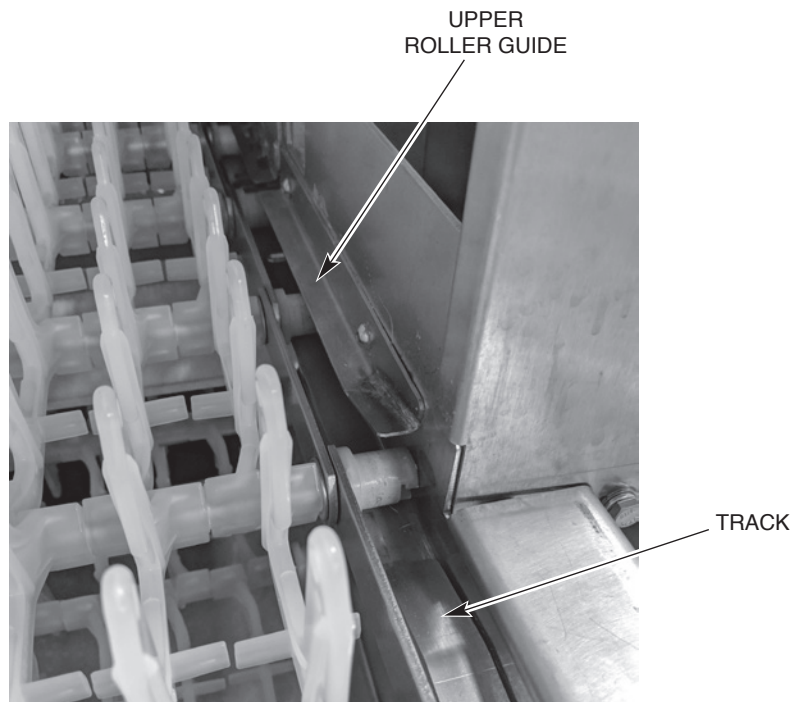


Fig. 38

- Remove the conveyor roller from one end of the last conveyor rod on the first section. Then pull the conveyor rod out and save the roller and washers for re-assembly. To join the sections, thread the rod back through the side bars and washer and then through the flight links, alternating the links from the first and second sections, and then through the washer and side bars on the opposite side. Complete the assembly by attaching the conveyor roller with a new retaining ring (Figs. 39 & 40). Spin the roller to ensure that the retaining ring has been secured to the conveyor rod. Always use a new retaining ring to secure a tight grip on the conveyor rod. Repeat this step for joining each succeeding conveyor section.

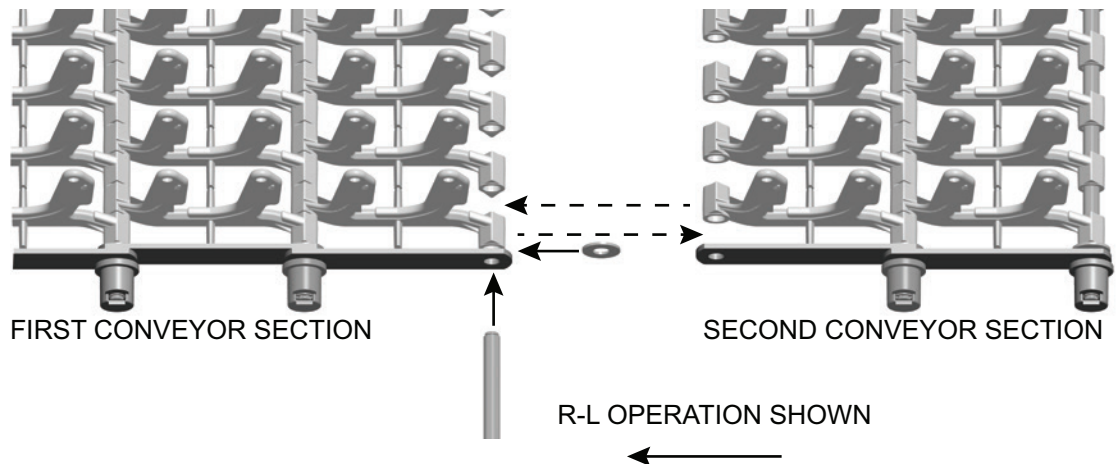


Fig. 39

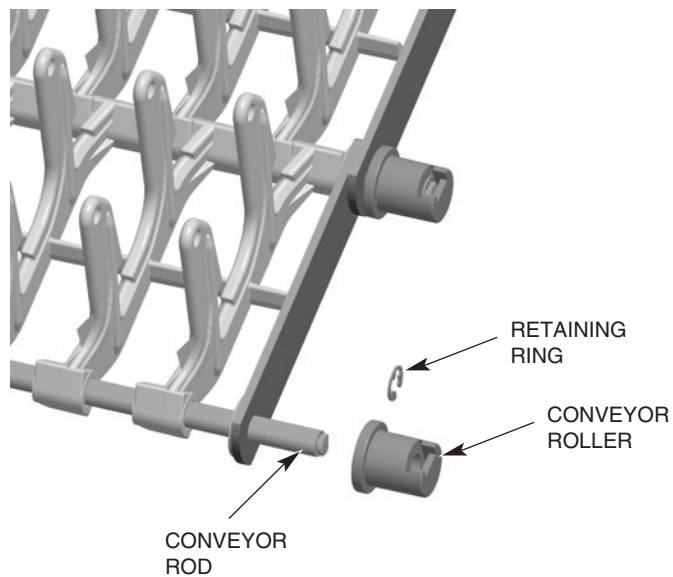


Fig. 40

Pull the conveyor through the machine starting at the load end, around the conveyor sprockets at the unload end, down to the top of the lower track and back through the machine. Make sure conveyor rollers do not feed under tracks.

Join the ends of the conveyor by threading the final conveyor rod through both rows of flight links and the side bars on both sides. Conveyor links alternate with both ends of the link on the inside following by both ends of the next link on the outside, except for the conveyor offset link, which is only used on the standard conveyor.

Conveyor Offset Side Bar

Conveyor offset side bars are supplied for use with the standard conveyors and are to be used, if necessary, when making the final connection to join the two conveyor ends. The total length of all conveyor sections shipped may slightly exceed the optimal length required for the machine's length and conveyor's travel. This can possibly require one or two rows of flight links to be removed together with all associated rods, side bars and end rollers. When the proper length of conveyor has been determined, pull the ends of the last two sections together to examine the side bar patterns. If both sections end with the side bars on the outside position or both sections end with the side bars on the inside position (Fig. 41), you must replace the last side bars on one of the sections with the offset side bars to maintain the pattern (Fig. 42). However, if the sections end such that the inside to outside pattern of the side bars will be maintained, they can be joined without the use of the offset side bars (Fig. 43). Complete the joining of the conveyor sections as necessary to maintain the side bar pattern.

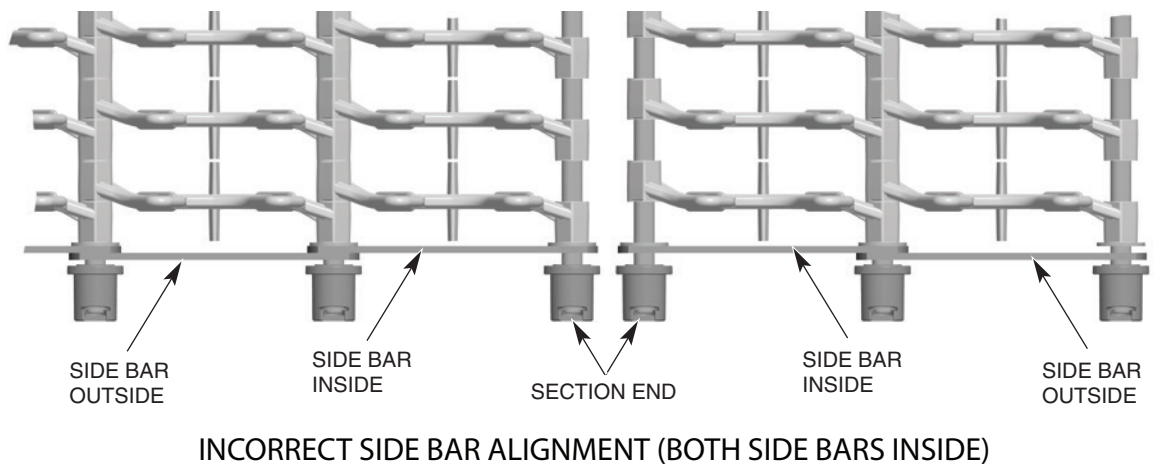


Fig. 41

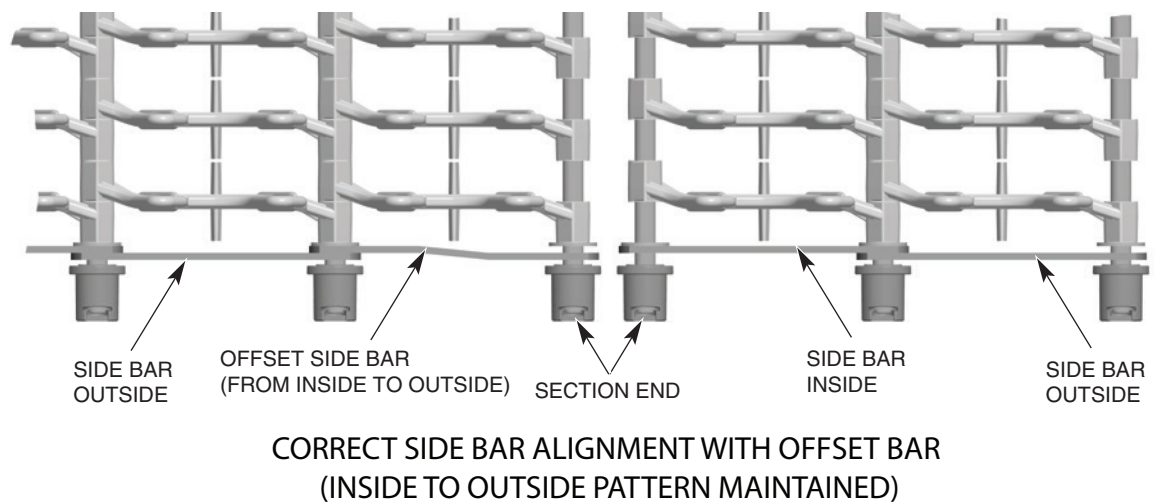
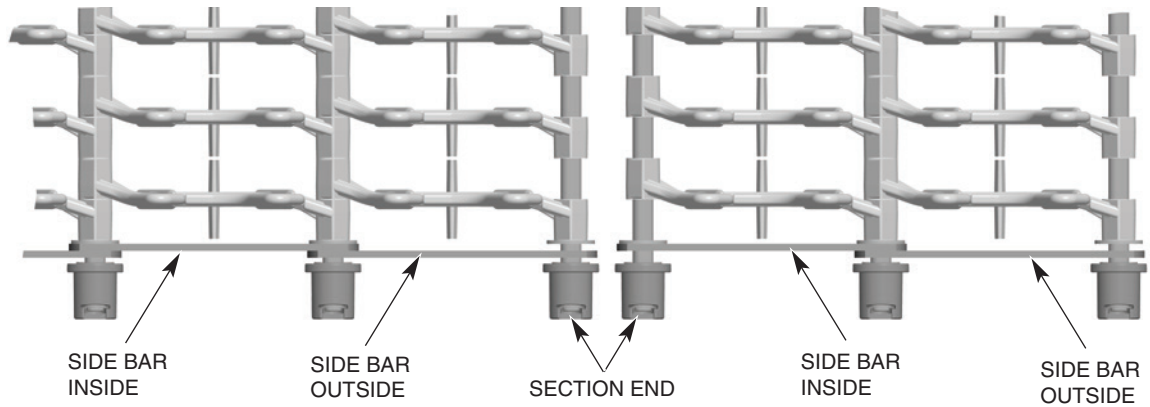


Fig. 42



CORRECT SIDE BAR ALIGNMENT WITHOUT OFFSET LINK
(INSIDE TO OUTSIDE PATTERN MAINTAINED)

Fig. 43

NOTE: The proper length of conveyor, when adjusted, will have the flight links close to (within 1") or engaging the load fingers at the load platform. It may be necessary to remove one or two conveyor rods (with rows of flight links) to obtain the desired length.

NOTE: Each time a conveyor roller is installed or replaced, a NEW retaining ring (Fig. 40) must be used.

Once the conveyor is installed, reinstall the conveyor drive chain to the conveyor gear motor.

Adjusting the Conveyor Take-Up Unit (Load Section)

Tighten the tension on the conveyor by turning the adjusting bolts on the take-up units until the conveyor is no longer sagging at either the load or unload end and then re-tighten the two stop nuts located on both the front and rear take-up assemblies on the outside of the tracks (Fig. 44).

NOTE: When conveyor is adjusted to proper tension, ensure adjusting bolts are adjusted evenly on the front and rear sides by measuring from the edge of the track cutout to the face of the roller guide (Fig. 44).

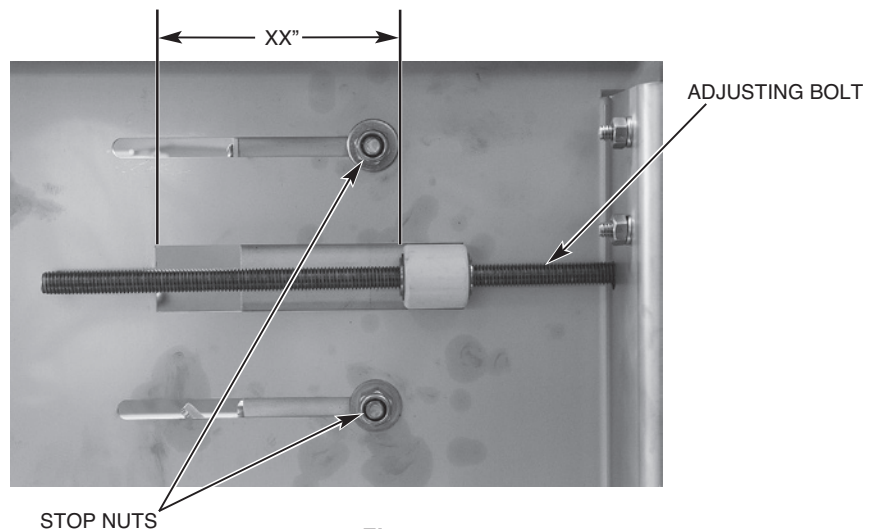


Fig. 44

Run the conveyor for 20 minutes. During this time, it may be convenient to perform the booster thermostat calibration described under “Calibrating the Booster Thermostat” in the Miscellaneous section of this manual. After running the conveyor for 20 minutes, stop the conveyor and check the tension. Proper tension is achieved when you grab both sides of the conveyor in the middle of the unload and lift so the bottom of the rollers of the conveyor (both sides) just clear the top surface of the unload tracks (Fig. 45).

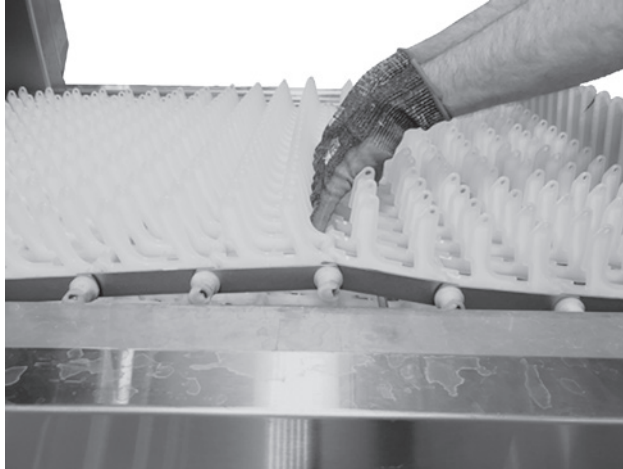


Fig. 45

FT1000e Conveyor Jam Switch Setting Verification/Adjustment

NOTE: This procedure should be performed after the machine is fully installed and operational with no ware on conveyor and will require a torque wrench capable of 150 foot pounds.

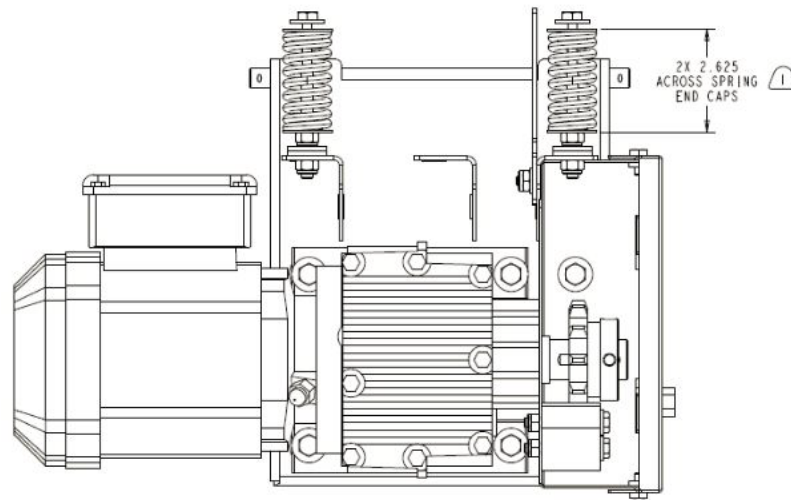
1. Remove unload lower trim panel on conveyor drive side of machine to access conveyor drive assembly. (Front panel on L-R machines, rear panel on R-L machines.)
2. Start the machine and allow the conveyor to run.
3. Using a $\frac{1}{2}$ " drive torque wrench set to 75 foot pounds with a $\frac{5}{8}$ " socket, apply torque in a clockwise direction to the hex rod protruding from the base of the drive assembly (Fig. 46).



Fig. 46

- a. If conveyor jam switch shuts machine off when torqued to 70-80 foot pounds, no further action is required. Replace lower trim panel.

- b. If the conveyor jam switch does not shut the machine off when torqued to 70-80 foot pounds, proceed to step 4.
4. Remove unload end panel and verify the two springs are assembled correctly and compressed to the correct dimension as shown below in Fig 47.



THIS DIMENSION IS PRIOR TO ASSEMBLY OF THE DRIVE CHAIN.
AFTER ASSEMBLY OF THE DRIVE CHAIN THIS DIMENSION WILL DECREASE TO $2.375 \pm .125$.

Fig. 47

- a. If any of the springs are not compressed to the correct dimension, adjust the compression as necessary by loosening or tightening the nut adjacent to the spring.
5. Verify position of conveyor anti-jam actuator plate and jam sensor to ensure they are positioned as shown below and adjust as necessary (Figs 48 and 49).

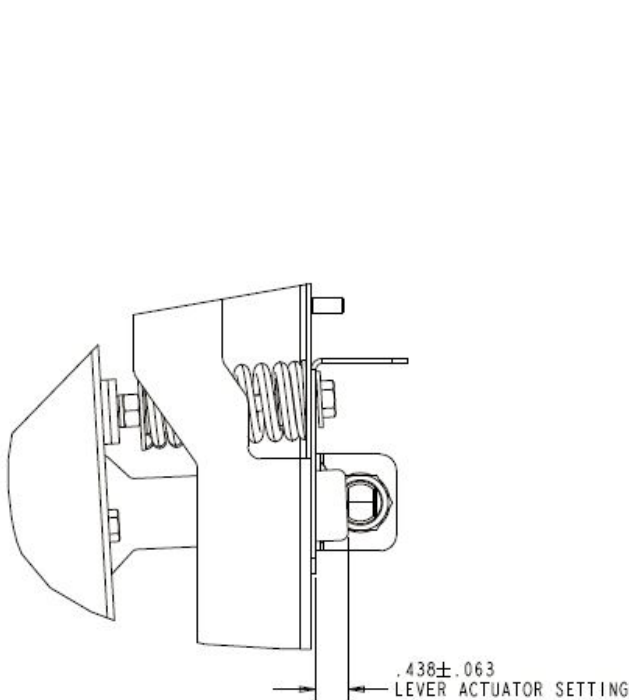


Fig. 48

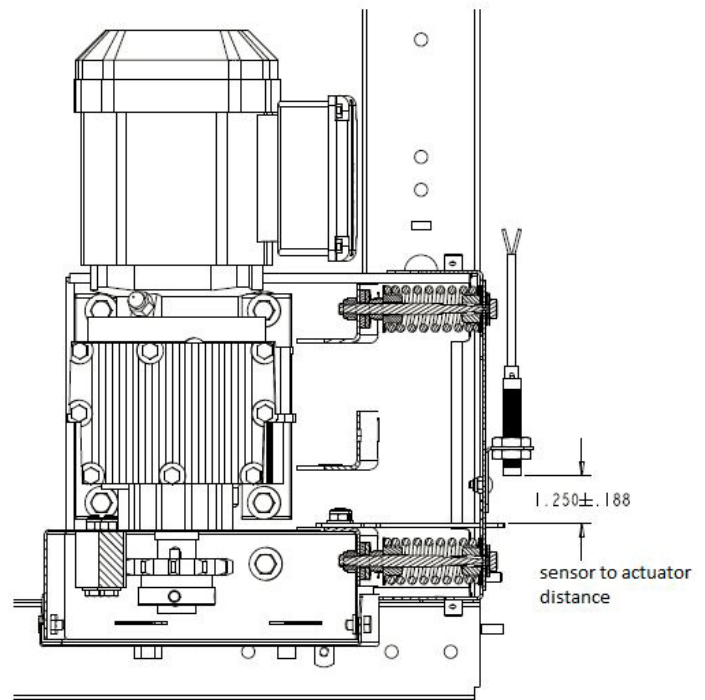


Fig. 49

6. Refer to steps 2 and 3 and re-check the conveyor jam switch operation.
7. Re-install lower trim panels.

MISCELLANEOUS

Vent

NOTICE Do not step on top chamber covers when installing vent.

Vent connection must fit inside 16" diameter vent stack, providing 750 CFM exhaust at machine connection (at standard air conditions).

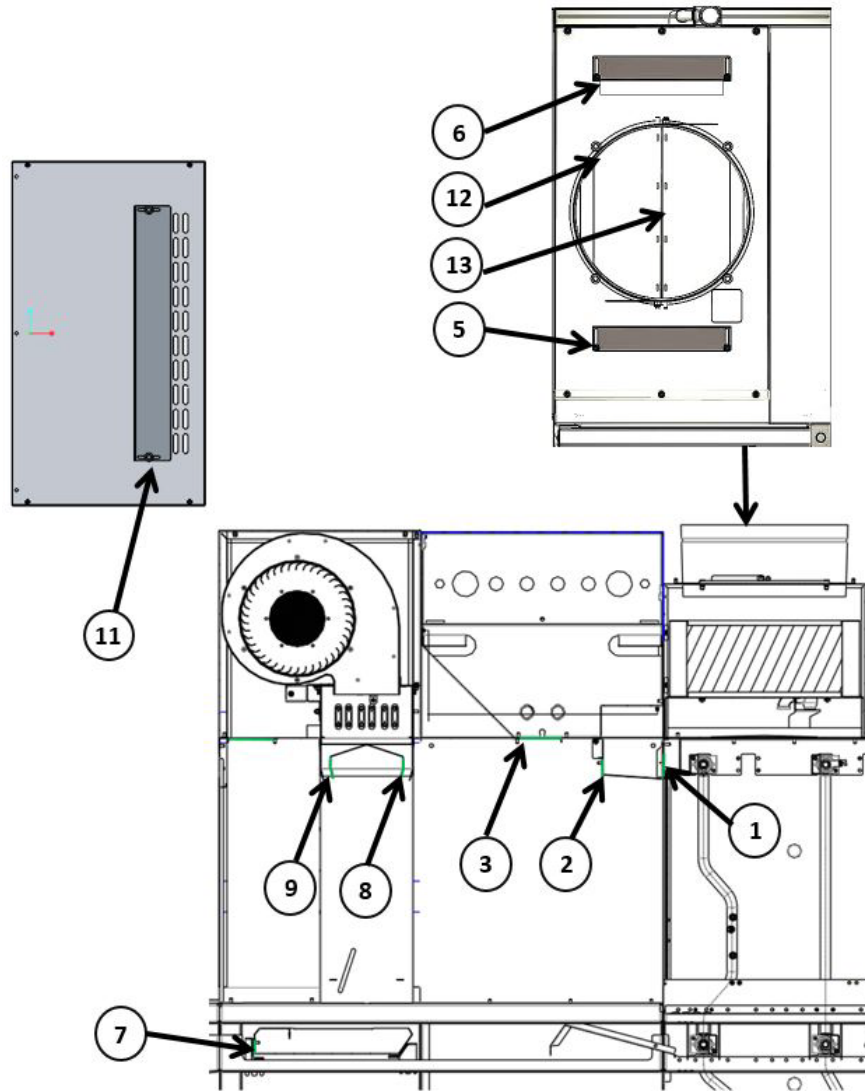
NOTE: Ensure exhaust condensate pan is not blocking air intake.

For all models equipped with energy recovery, a backdraft preventer is required at building penetration to prevent energy recovery coil from freezing (supplied and installed by others).

The air baffles are factory set. After machine is placed in full operation with customer running ware, if adjustments are required, refer to the service manual or contact your local Hobart Service office.

Air Baffle Settings

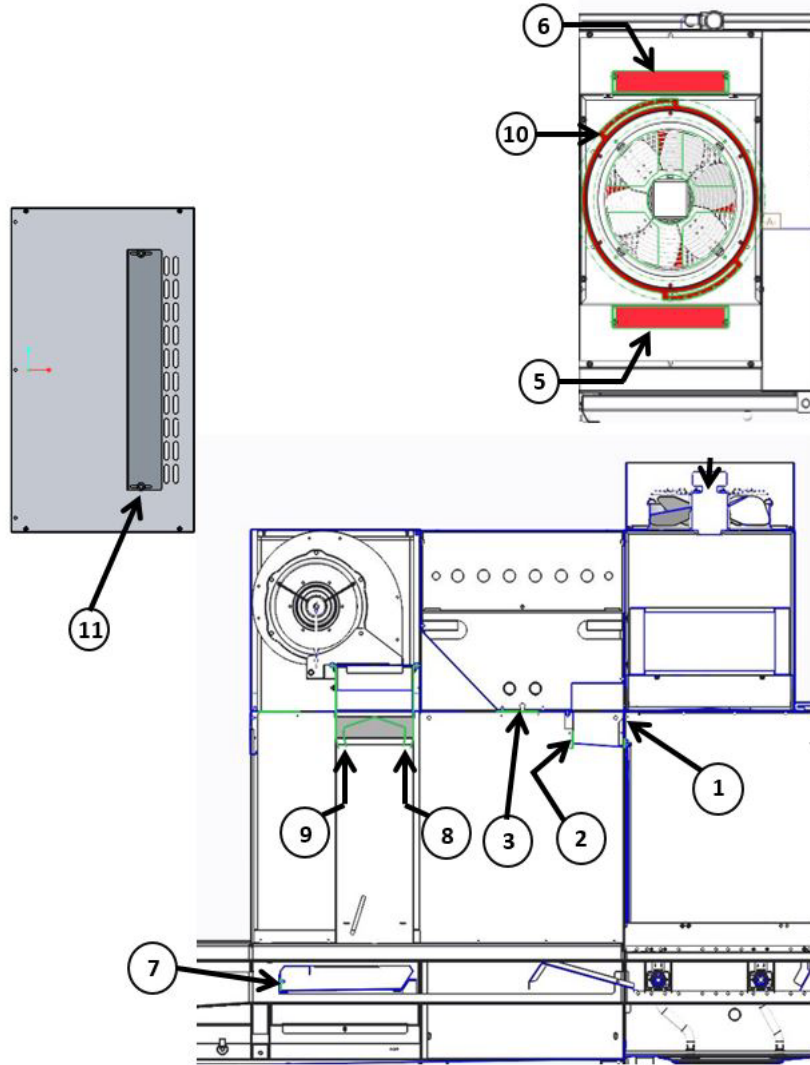
The following diagrams and charts outline the standard factory baffle settings for each of the machine configurations.



FT1000e & FT1000Se WITHOUT BLOWER DRYER	
Baffle Number	Baffle Setting (Open)
1	100%
2	50% (5/8")
3	N/A
4	N/A
5	Closed
6	Closed
7	N/A
8 (entrance)	N/A
9 (exit)	N/A
10	N/A
11	N/A
12	45° Open
13	45° Open

FT1000e & FT1000Se WITH BLOWER DRYER	
Baffle Number	Baffle Setting (Open)
1	100%
2	50% (5/8")
3	Closed
4	N/A
5	Closed
6	Closed
7	Closed
8 (entrance)	12° Towards Unload
9 (exit)	0° (Vertical)
10	N/A
11	2 Rows Open
12	45° Open
13	45° Open

FT1000e Advansys



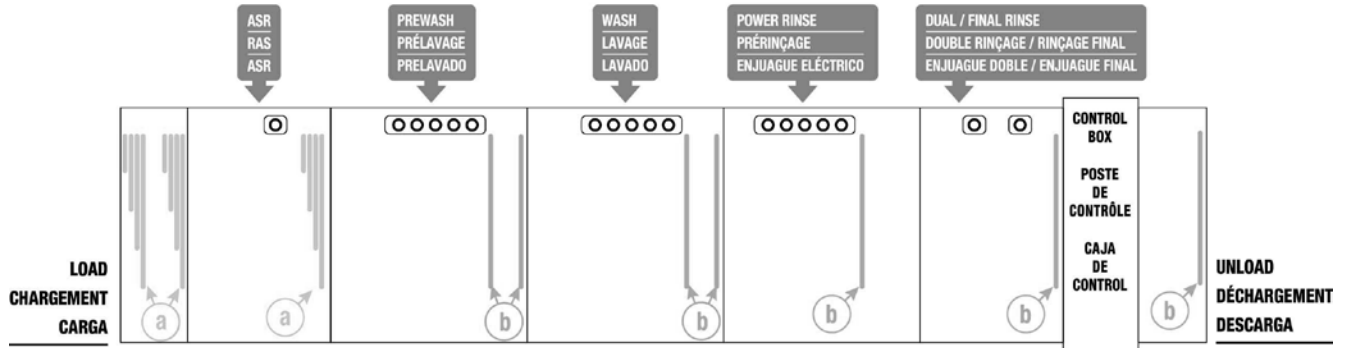
FT1000e ADVANSYS WITH BLOWER DRYER	
Baffle Number	Baffle Setting (Open)
1	100%
2	25% (3/8")
3	Closed
4	N/A
5	Closed
6	Closed
7	Closed
8 (entrance)	12° Towards Unload
9 (exit)	0° (Vertical)
10	#3
11	2 Rows Open
12	N/A
13	N/A

Curtain Configurations

FT1000e-BAS & FT1000e-EGR (Standard Height) (machine may not be equipped with ASR module)

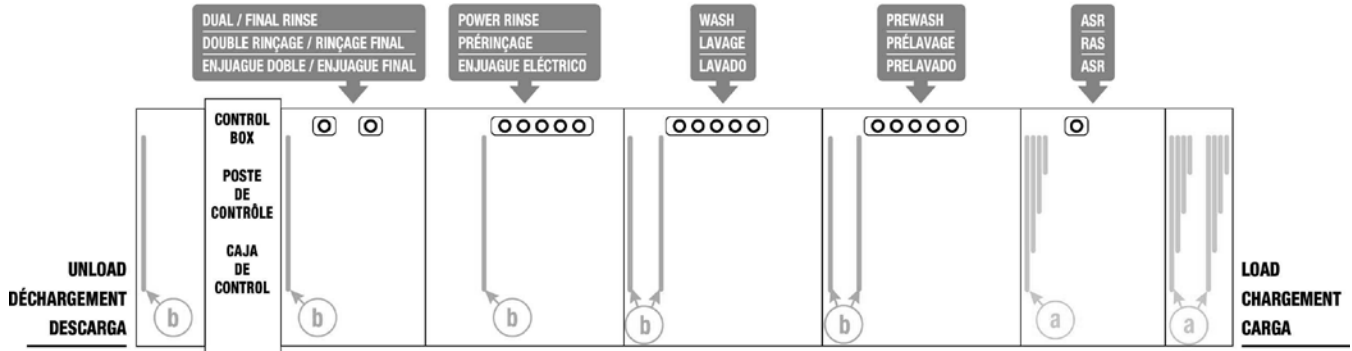
Left to Right

8' CENTER SECTION | ZONE CENTRALE DE 8 pi (2438 mm) | ZONA CENTRAL DE 8'



Right to Left

8' CENTER SECTION | ZONE CENTRALE DE 8 pi (2438 mm) | ZONA CENTRAL DE 8'



LEGEND | LÉGENDE | LEYENDA

a 4-PLY CURTAINS
RIDEAUX À 4 ÉPAISSEURS
CORTINAS DE 4 CAPAS

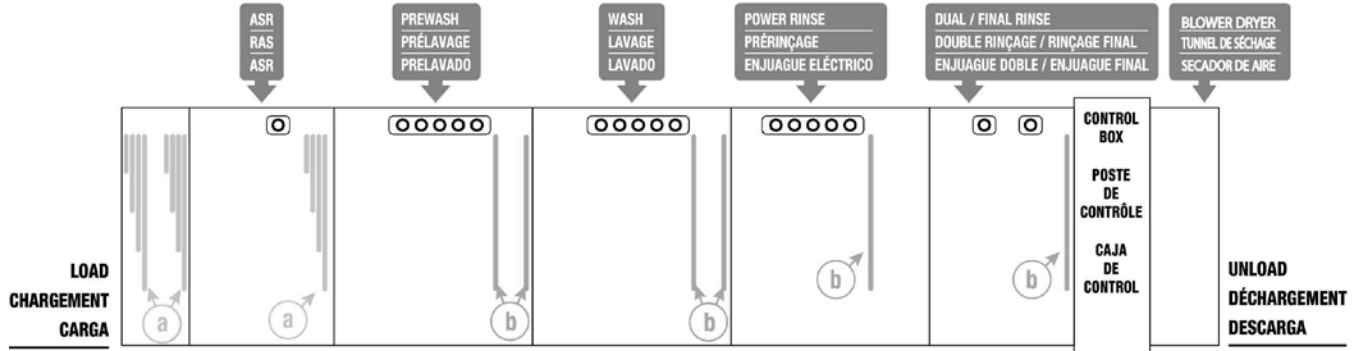
b LONG CURTAINS
RIDEAUX LONGS
CORTINAS GRANDES

c SHORT CURTAINS
RIDEAUX COURT
CORTINAS CORTAS

FT1000e-BAS & FT1000e-EGR (With Blower Dryer, Standard Height)
 (machine may not be equipped with ASR module)

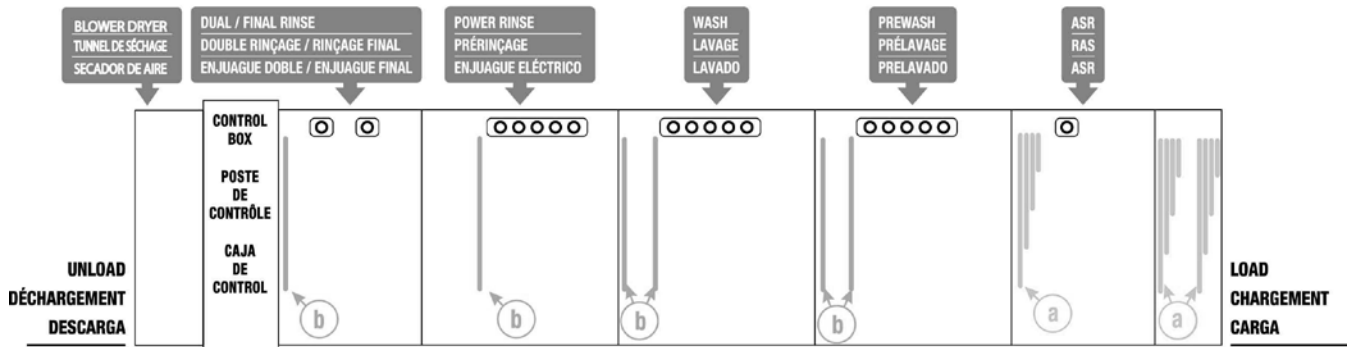
Left to Right

8' CENTER SECTION | ZONE CENTRALE DE 8 pi (2438 mm) | ZONA CENTRAL DE 8'



Right to Left

8' CENTER SECTION | ZONE CENTRALE DE 8 pi (2438 mm) | ZONA CENTRAL DE 8'



LEGEND | LÉGENDE | LEYENDA

a 4-PLY CURTAINS
 RIDEAUX À 4 ÉPAISSEURS
 CORTINAS DE 4 CAPAS

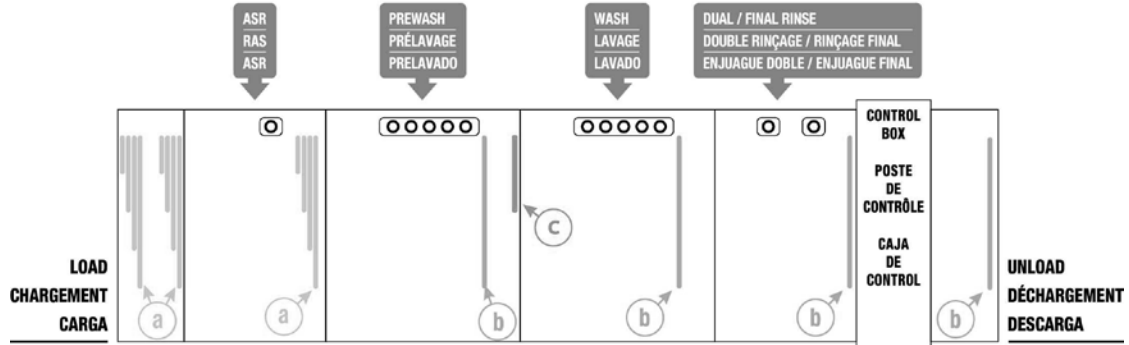
b LONG CURTAINS
 RIDEAUX LONGS
 CORTINAS GRANDES

c SHORT CURTAINS
 RIDEAUX COURT
 CORTINAS CORTAS

FT1000Se-BAS & FT1000Se-EGR (Standard Height)
 (machine may not be equipped with ASR module)

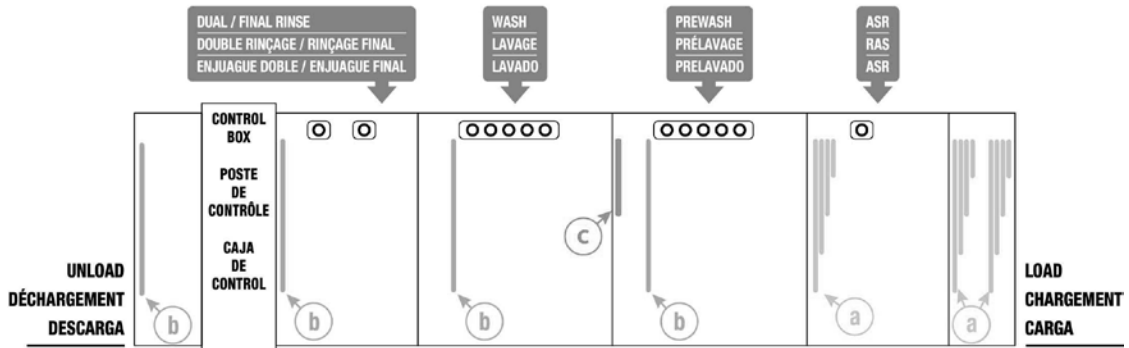
Left to Right

5' CENTER SECTION | ZONE CENTRALE DE 5 pi (1524 mm) | ZONA CENTRAL DE 5'



Right to Left

5' CENTER SECTION | ZONE CENTRALE DE 5 pi (1524 mm) | ZONA CENTRAL DE 5'



LEGEND | LÉGENDE | LEYENDA

a 4-PLY CURTAINS
 RIDEAUX À 4 ÉPAISSEURS
 CORTINAS DE 4 CAPAS

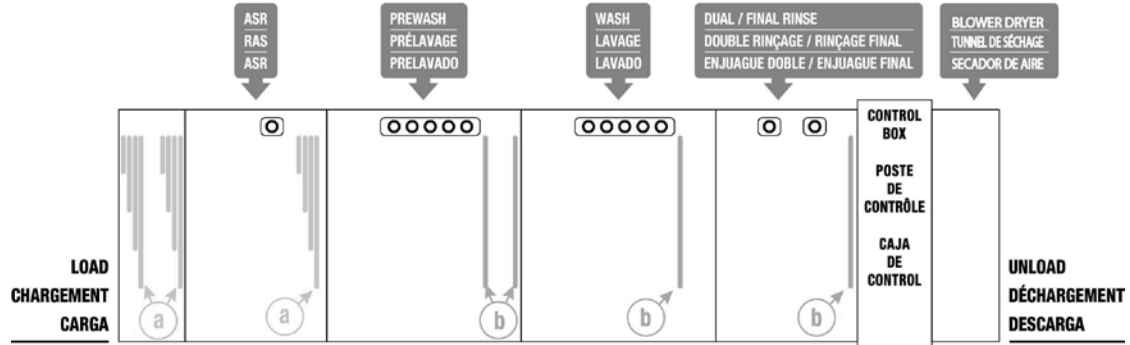
b LONG CURTAINS
 RIDEAUX LONGS
 CORTINAS GRANDES

c SHORT CURTAINS
 RIDEAUX COURT
 CORTINAS CORTAS

FT1000Se-BAS & FT1000Se-EGR (With Blower Dryer, Standard Height)
 (machine may not be equipped with ASR module)

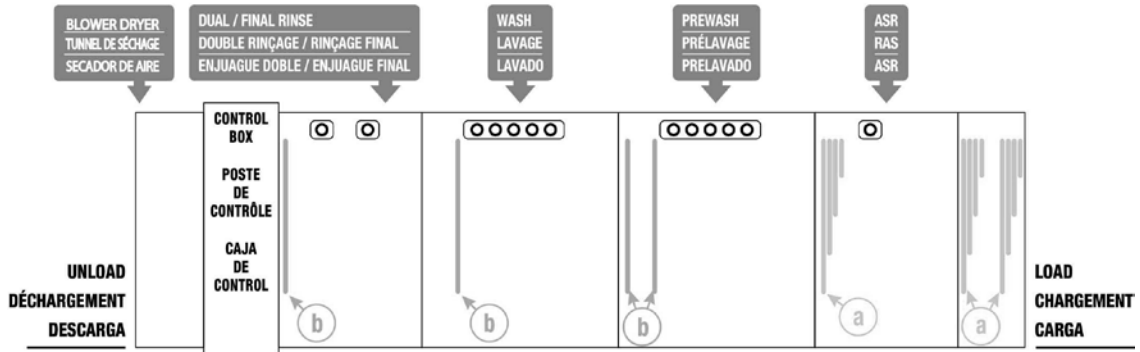
Left to Right

5' CENTER SECTION | ZONE CENTRALE DE 5 pi (1524 mm) | ZONA CENTRAL DE 5'



Right to Left

5' CENTER SECTION | ZONE CENTRALE DE 5 pi (1524 mm) | ZONA CENTRAL DE 5'



LEGEND | LÉGENDE | LEYENDA

a 4-PLY CURTAINS
 RIDEAUX À 4 ÉPAISSEURS
 CORTINAS DE 4 CAPAS

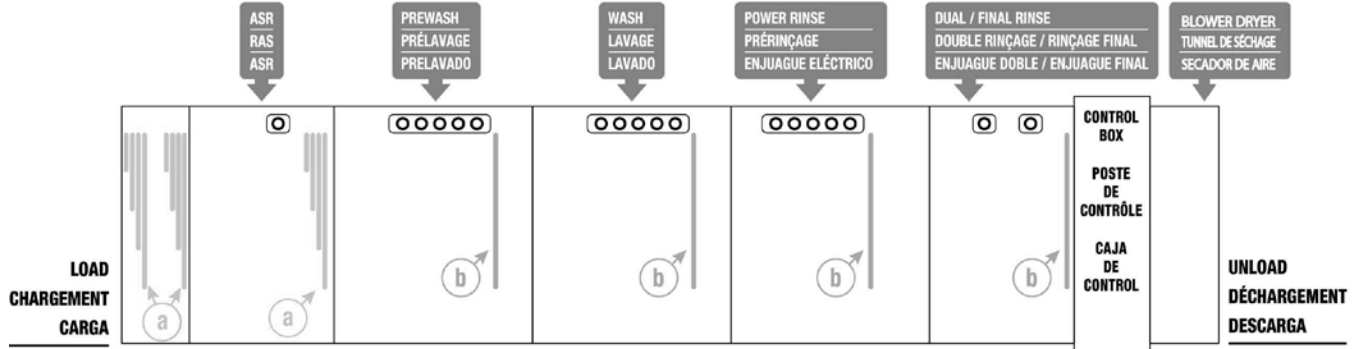
b LONG CURTAINS
 RIDEAUX LONGS
 CORTINAS GRANDES

c SHORT CURTAINS
 RIDEAUX COURT
 CORTINAS CORTAS

FT1000e-ADV

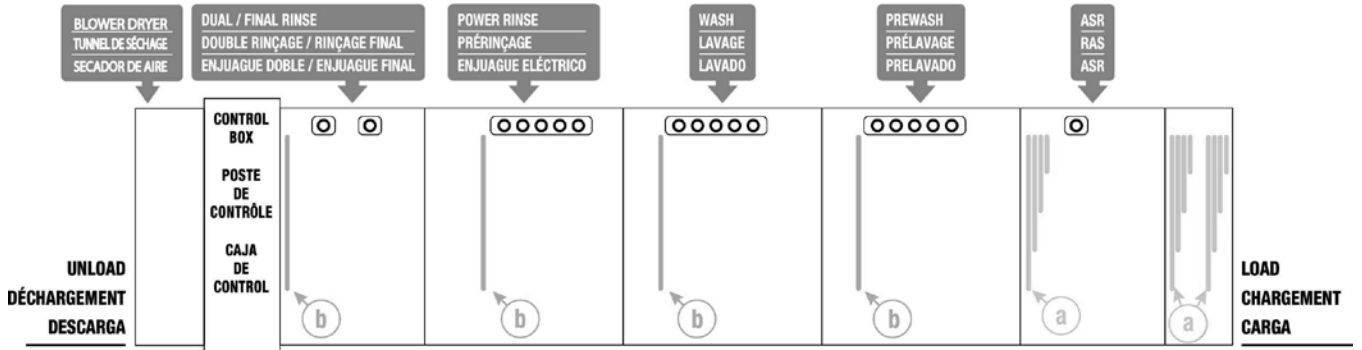
Left to Right

8' CENTER SECTION | ZONE CENTRALE DE 8 pi (2438 mm) | ZONA CENTRAL DE 8'



Right to Left

8' CENTER SECTION | ZONE CENTRALE DE 8 pi (2438 mm) | ZONA CENTRAL DE 8'



LEGEND | LÉGENDE | LEYENDA



4-PLY CURTAINS
RIDEAUX À 4 ÉPAISSEURS
CORTINAS DE 4 CAPAS



LONG CURTAINS
RIDEAUX LONGS
CORTINAS GRANDES



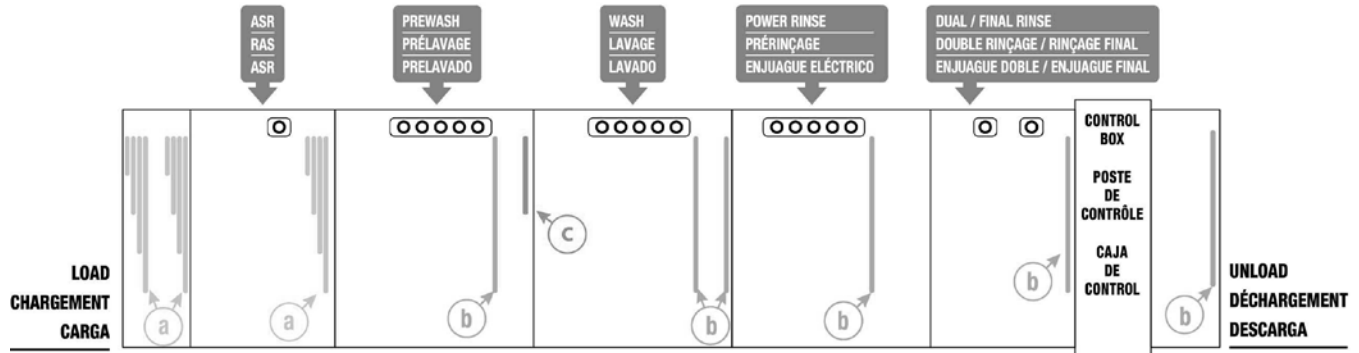
SHORT CURTAINS
RIDEAUX COURT
CORTINAS CORTAS

FT1000e-BAS & FT1000e-EGR (Higher Than Standard)

(machine may not be equipped with ASR module)

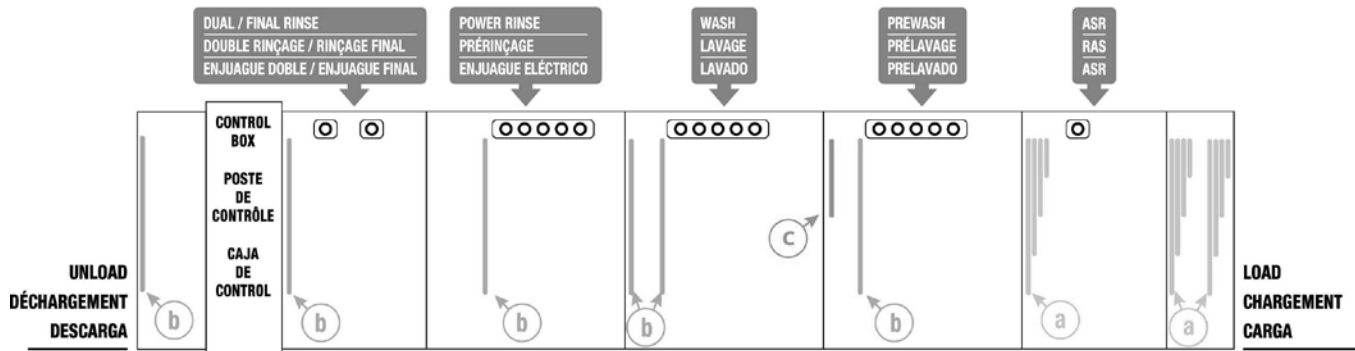
Left to Right

8' CENTER SECTION | ZONE CENTRALE DE 8 pi (2438 mm) | ZONA CENTRAL DE 8'



Right to Left

8' CENTER SECTION | ZONE CENTRALE DE 8 pi (2438 mm) | ZONA CENTRAL DE 8'



LEGEND | LÉGENDE | LEYENDA

a 4-PLY CURTAINS
RIDEAUX À 4 ÉPAISSEURS
CORTINAS DE 4 CAPAS

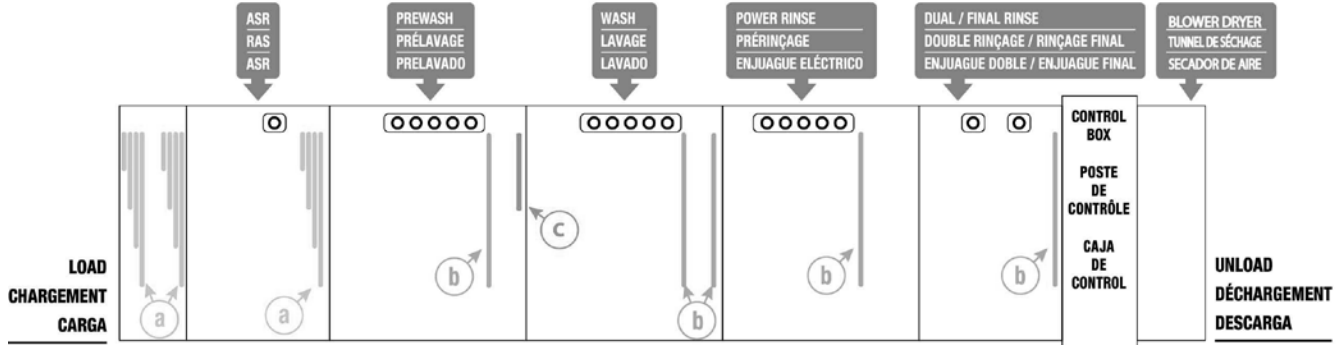
b LONG CURTAINS
RIDEAUX LONGS
CORTINAS GRANDES

c SHORT CURTAINS
RIDEAUX COURT
CORTINAS CORTAS

FT1000e-BAS & FT1000e-EGR (With Blower Dryer, Higher Than Standard)
 (machine may not be equipped with ASR module)

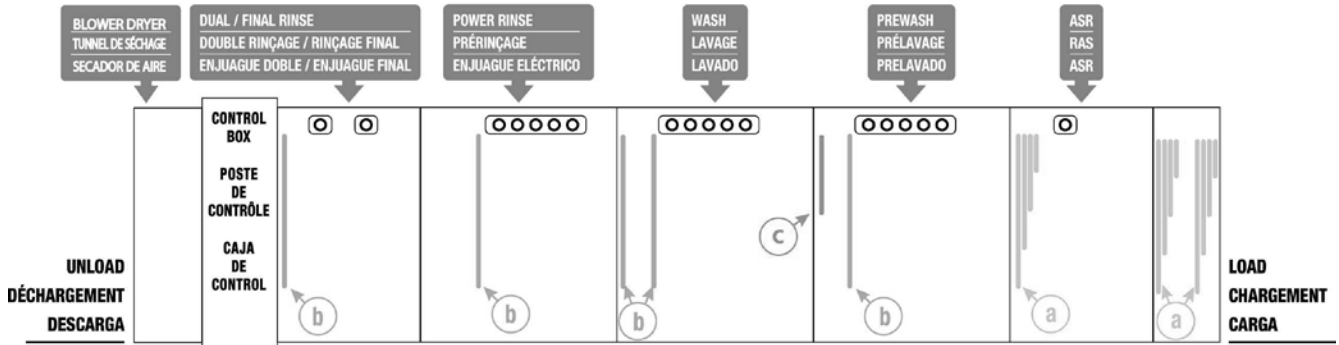
Left to Right

8' CENTER SECTION | ZONE CENTRALE DE 8 pi (2438 mm) | ZONA CENTRAL DE 8'



Right to Left

8' CENTER SECTION | ZONE CENTRALE DE 8 pi (2438 mm) | ZONA CENTRAL DE 8'



LEGEND | LÉGENDE | LEYENDA



4-PLY CURTAINS
 RIDEAUX À 4 ÉPAISSEURS
 CORTINAS DE 4 CAPAS



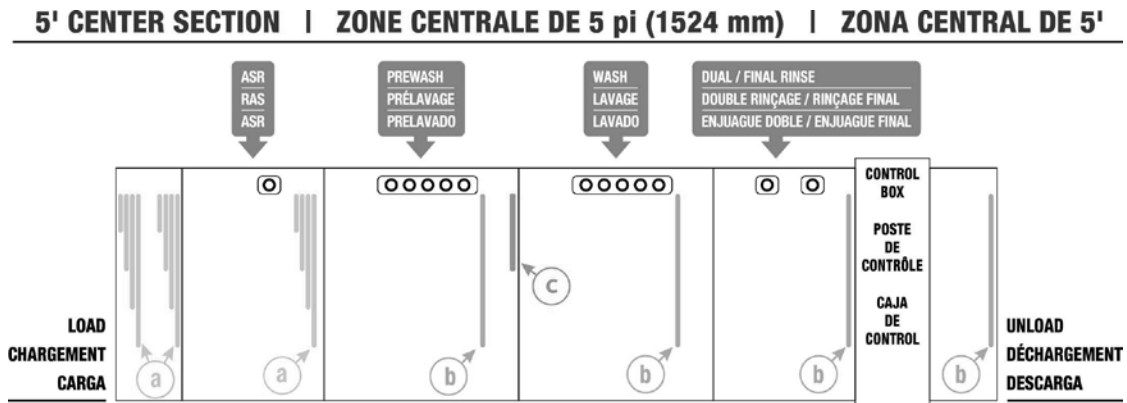
LONG CURTAINS
 RIDEAUX LONGS
 CORTINAS GRANDES



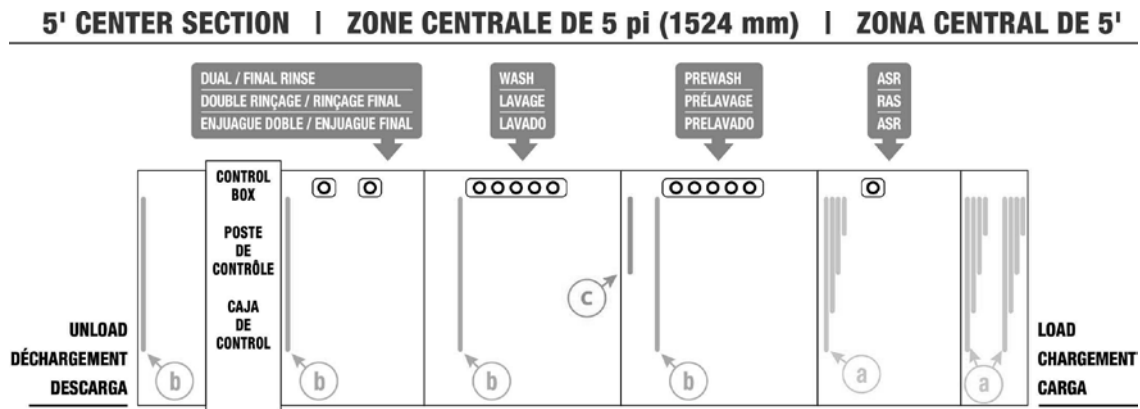
SHORT CURTAINS
 RIDEAUX COURT
 CORTINAS CORTAS

FT1000Se-BAS & FT1000Se-EGR (Higher Than Standard)
 (machine may not be equipped with ASR module)

Left to Right



Right to Left



LEGEND | LÉGENDE | LEYENDA

a 4-PLY CURTAINS
 RIDEAUX À 4 ÉPAISSEURS
 CORTINAS DE 4 CAPAS

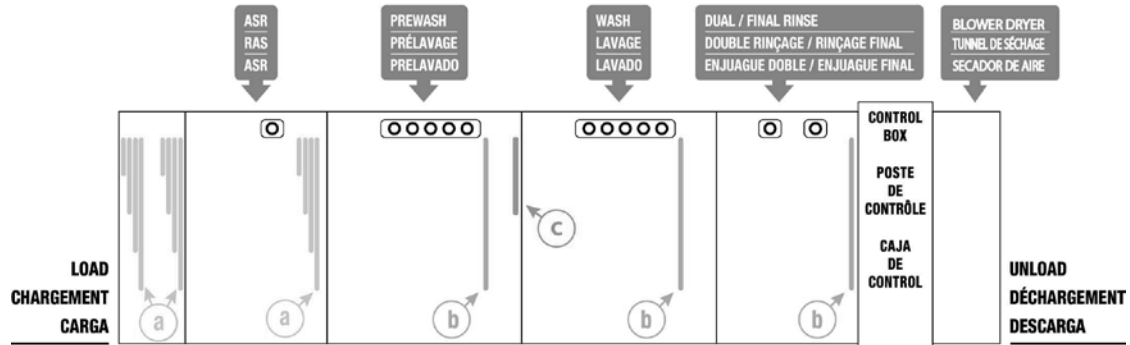
b LONG CURTAINS
 RIDEAUX LONGS
 CORTINAS GRANDES

c SHORT CURTAINS
 RIDEAUX COURT
 CORTINAS CORTAS

FT1000Se-BAS & FT1000Se-EGR (With Blower Dryer, Higher Than Standard)
 (machine may not be equipped with ASR module)

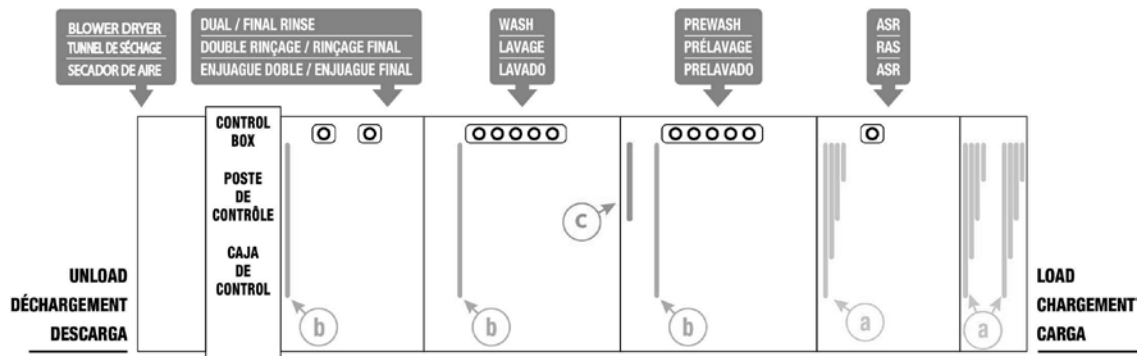
Left to Right

5' CENTER SECTION | ZONE CENTRALE DE 5 pi (1524 mm) | ZONA CENTRAL DE 5'



Right to Left

5' CENTER SECTION | ZONE CENTRALE DE 5 pi (1524 mm) | ZONA CENTRAL DE 5'



LEGEND | LÉGENDE | LEYENDA

a	4-PLY CURTAINS RIDEAUX À 4 ÉPAISSEURS CORTINAS DE 4 CAPAS	b	LONG CURTAINS RIDEAUX LONGS CORTINAS GRANDES	c	SHORT CURTAINS RIDEAUX COURT CORTINAS CORTAS
----------	---	----------	--	----------	--

Prewash, Wash, and Power Rinse Arms

Ensure all wash arms are properly installed and wash arm sliders are closed. The tabs on the sides of the arms will drop into the notches in the supports when properly installed (Fig. 50). Adjust locking brackets on lower arms if necessary.



Fig. 50

Dual Rinse/Final Rinse Arms

Ensure dual rinse and final rinse arms are properly installed (Fig. 51).



Fig. 51

Automatic Soil Removal (ASR) Arms (When Equipped)

Ensure ASR arms are properly installed (Fig. 52).



Fig. 52

Lower Trim Panels (Front) and Rear Panels

When installing the lower trim panels on the front of the machine, butt each panel end to end. With the bottom of the panel held out on a 45° angle (Fig. 53), hang the upper lip of the panel over the hooks located just below the doors (Fig. 54). Swing the bottom of the panel down and snap the lower panel clips under the frame.



Fig. 53



Fig. 54

When installing the rear panels, butt each panel end to end. Hang upper lip of panel over tabs located on the top panels of the machine. Swing the bottom of the panel down and snap the lower panel clips under the frame.

Calibrating the Electric Booster Thermostat

NOTE: This procedure only needs to be followed once during initial setup.

NOTE: This procedure may be followed during the 20 minute period in the “Adjusting the Conveyor Take-Up Unit (Load Section)” procedure, page 37.

NOTE: This procedure should only be followed if the machine is operational and the booster can be powered on with hot water of at least 105° F flowing into it.

For the internal Hobart booster, the controlling thermostat needs to be calibrated to the conditions at the customer’s site. The calibration is automatic while the machine is running.

To begin calibration, ensure the booster’s circuit breaker is set to the “ON” position and power is present at 24CON. Block the photo eyes located at the load end of the machine. Start the machine and allow the machine to run for a minimum of 20 minutes.

NOTE: Do not put ware or any other item on the conveyor during the procedure. This may cause the dish limit arm to trip and stop the conveyor movement. If the conveyor stops for any reason during the 20 minute calibration period, the procedure should be rerun from the beginning to ensure proper calibration.

After 20 minutes, unblock the photo detector. When the final rinse output turns off and the display shows “---“ for the final rinse temperature, stop the conveyor. Power off the machine by pressing the POWER button on the keypad. This saves the calibration data and completes the automatic calibration.

Conveyor Gear Motor

The conveyor gear motor is shipped with oil at the proper level in the speed reducer.

Lubricants are available from your local Hobart Service Office.

Delime Indicator Setup

Based on water hardness and final rinse water usage, the machine will calculate and notify the operator when it is time to delime. Refer to FT1000e Operation manual (F-41143) or FT1000e Service Manual (F-45735) to program the ‘Delime-Water Hardness’ and ‘Delime Concentration’ settings based on customer’s specific water conditions and delime solution being used.

SERVICE

If service is needed on this machine, contact your local Hobart Service Office.

TABLE DES MATIÈRES

REMARQUES À L'INSTALLATEUR.....	58
COMMENT RÉDUIRE LA HAUTEUR DE PASSAGE DU POSTE DE COMMANDE LORS DU TRANSPORT	58
COMMENT SUPPRIMER LA RÉCUPÉRATION DE L'ÉNERGIE ET LA STRUCTURE DE VENTILATION POUR UNE HAUTEUR PLUS BASSE	60
DÉBALLAGE	61
Retirer chaque section des palettes	61
EMPLACEMENT	62
Positionner la section centrale	62
Mettre de niveau la section centrale	62
ASSEMBLAGE	63
Faire pivoter le poste de commande de 90 degrés	63
Installer le ruban de mousse sur les rebords de la chambre et la surface du châssis du poste de commande	63
Fixer le poste de commande à la section de déchargement	64
Positionner les sections de chargement et déchargement adjacents	66
Mettre à niveau les sections de chargement et déchargement	66
Raccorder les sections	66
Installer les déflecteurs de rideau et le déflecteur d'air de l'extrémité de déchargement	67
Installer le joint à dos d'âne - Rebords inférieurs de la chambre	68
Installer la conduite de retour d'eau (des réservoirs de lavage au pré-lavage)	69
Installer la conduite de la vidange	69
Déplacer la vidange principale à l'extrémité de chargement (uniquement pour les machines équipées des sections de nettoyage automatique, détartrage automatique et RAS)	70
Installation du plateau de récupération de la vidange	74
Assemblage du séchoir	75
Installation du module Advansys	77
Raccords du poste de commande	77
Câblage du réchauffeur de combustible électrique	78
Interrupteurs de sécurité de la porte et de la vidange (réservoir de pré-lavage et de lavage)	78
RACCORDS DE PLOMBERIE	79
Alimentation en eau	79
Remplissage	79
Rinçage final	79
Vidange	80
Filtres de conduite	80
Alimentation en vapeur (si équipée)	80
Chauffage du réservoir à vapeur - Conduites de retour de condensat	81
Réchauffeur de combustible à vapeur - Conduite de retour de condensat et détendeurs de pression	81
Séchoir à vapeur (si équipé) - Conduite de retour du condensat	81
Raccords du boyau du nettoyage automatique et de remplissage automatique (si installé)	81
RACCORDS ÉLECTRIQUES	84
Protection contre les surcharges du moteur	84
Vérifier la rotation du moteur (Moteurs triphasés)	85
Raccords électriques séparés	85
Ajustement de la tension	85
Raccord électrique – Distributeurs de détergent et d'agent de rinçage	86
Commande du ventilateur du conduit d'aération	86
ASSEMBLAGE DE LA BANDE TRANSPORTEUSE	87
Installer et joindre les sections de la bande transporteuse	87
Plaques latérales coudées	90
Ajuster l'unité de tension de la bande transporteuse (section de chargement)	91
Vérification et ajustement du réglage du commutateur de blocage de la bande transporteuse FT1000e	92
DIVERS	94
Conduit d'aération	94
Réglages du déflecteur	94
Configurations des rideaux	98
Gicleurs de pré-lavage, lavage et rinçage sous pression	107
Gicleurs de double rinçage/rinçage final	107
Gicleurs du retrait automatique des salissures (RAS) (si équipé)	108
Panneaux inférieurs d'habillement (avant) et panneaux arrière	108
Calibrer le thermostat du réchauffeur de combustible électrique	109
Moteur à engrenage de la bande transporteuse	109
Réglage de l'indicateur de décalcification	109
SERVICE	109

Installation et entretien des LAVE-VAISSELLE DE LA GAMME FT1000e

CONSERVEZ CES INSTRUCTIONS

GÉNÉRAL


REMARQUES POUR L'INSTALLATEUR :

Veillez lire ce manuel en entier avant de faire l'installation de la machine.

1. Ne pas utiliser de chariot élévateur pour déplacer les sections de la machine ou retirer leur patin.
2. Ne pas se débarrasser des pièces détachées. Elles pourraient être requises ultérieurement dans l'installation ou l'opération de la machine.
3. Raccords électriques :
 - Assurez-vous que la tension composée correspond avec celle inscrite sur la plaque signalétique du poste de commande.
 - Assurez-vous que tous les raccords des câbles du répartiteur correspondent au diagramme situé à l'intérieur de la porte du poste de commande.
 - Assurez-vous que le transformateur du circuit de pilotage est réglé à la tension demandée. Veuillez vous référer à la page 85 pour l'ajustement de tension.
4. Mettez à niveau la section centrale dans sa position d'opération. **La section centrale doit être de niveau de l'avant vers l'arrière et d'un côté à l'autre.** Veuillez vous référer à la section Mettre de niveau la section centrale, page 62.
5. Bande transporteuse : Veuillez vous référer à la section Assemblage de la bande transporteuse, page 87. **Une fois l'installation terminée, la bande transporteuse doit être mise en marche continuellement pendant 15 minutes pour vérifier son alignement. Si elle doit être ajustée, remettre en marche 15 minutes de nouveau. Révérifiez l'alignement et reserrez les écrous de blocage de l'unité de tension lorsque terminé.**
6. Assurez-vous que tous les rideaux sont installés en position d'opération, veuillez vous référer à la section Rideau, pages 98-106.
7. Vérifiez que tous les raccords-unions d'eau et de vapeur sont bien serrés.
8. Pour l'installation de la vidange, assurez-vous que la tuyauterie de vidange est sans fuites.
9. Rendez le manuel d'opération au propriétaire.

COMMENT RÉDUIRE LA HAUTEUR DE PASSAGE DU POSTE DE COMMANDE LORS DU TRANSPORT

Cette procédure permet de descendre le poste de commande de 4-1/2 po (11,43 cm) pour permettre de transporter l'unité dans les corridors et cadres de porte à marge faible.

 **AVERTISSEMENT** Le poste de commande doit être supporté par un minimum de deux personnes pendant la descente des tiges de fixation dans les fentes inférieures des supports de transport.

Le derrière de la boîte de transport est retenue par deux supports sur la section de rinçage double/final avec quatre tiges filetées, rondelles, rondelles-frein et boulons de 5/16-18. Les supports de transport sont dotés d'encoches qui permettent au poste de commande d'être descendu de 4-1/2 po. (Fig. 1).

1. Retirez les deux élingues des côtés du poste de commande en retirant les deux boulons de 5/16-18 de chacun des supports.
2. Pendant que deux personnes supportent le poste de commande confortablement, retirez les quatre écrous de 5/16-18, les rondelles-frein et les rondelles de l'intérieur des supports de transport derrière le poste de commande.
3. Avec l'aide de deux personnes, retirez AVEC SOIN les tiges arrière du poste de commande principal des supports de transport. Descendez les boulons filetés du poste de commande dans les onglets inférieurs des supports. Réinstallez les mêmes boulons 5/16-18, rondelles-frein et rondelles au poste de commande que vous avez retiré à l'étape 2.
4. Déplacez le lave-vaisselle au travers des corridors ou des portes à marge faible.
5. Reprenez les étapes 3, 2 et 1 à l'inverse pour remettre le poste de commande à son état original pour pouvoir l'installer.

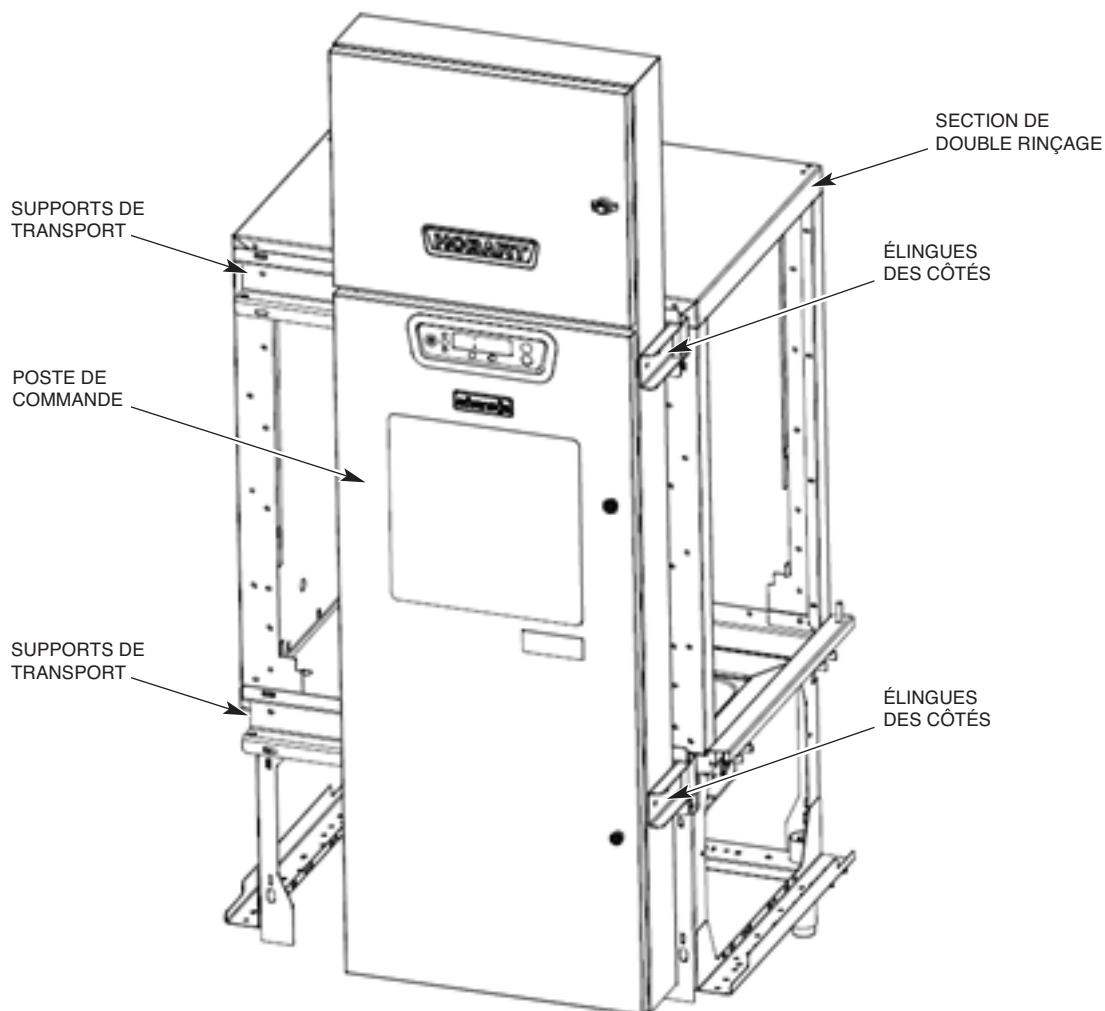


Fig. 1

COMMENT SUPPRIMER LA RÉCUPÉRATION DE L'ÉNERGIE ET LA STRUCTURE DE VENTILATION POUR UNE HAUTEUR PLUS BASSE

1. Retirez les panneaux de récupération d'énergie avant et arrière en desserrant les deux écrous sur la partie supérieure de chaque panneau (Fig. 2, élément A).
2. Retirez le plateau de vidange situé dans la base de l'ensemble de la récupération d'énergie (Fig. 2, élément B).
3. Retirez les trois écrous de blocage situés dans les angles qui fixent l'ensemble de la récupération d'énergie dans la partie supérieure de la cavité de rinçage double.
4. Soulevez l'ensemble de la récupération d'énergie verticalement jusqu'à ce que la base libère le dessus des goujons et retirez l'ensemble du dessus de la machine.
5. Quand la section centrale est déplacée dans la pièce des plats, réinstallez l'ensemble de la récupération d'énergie, le plateau de vidange et les panneaux avant et arrière.

REMARQUE : Appliquez du scellant Permagum sur les rondelles lors de la réinstallation.

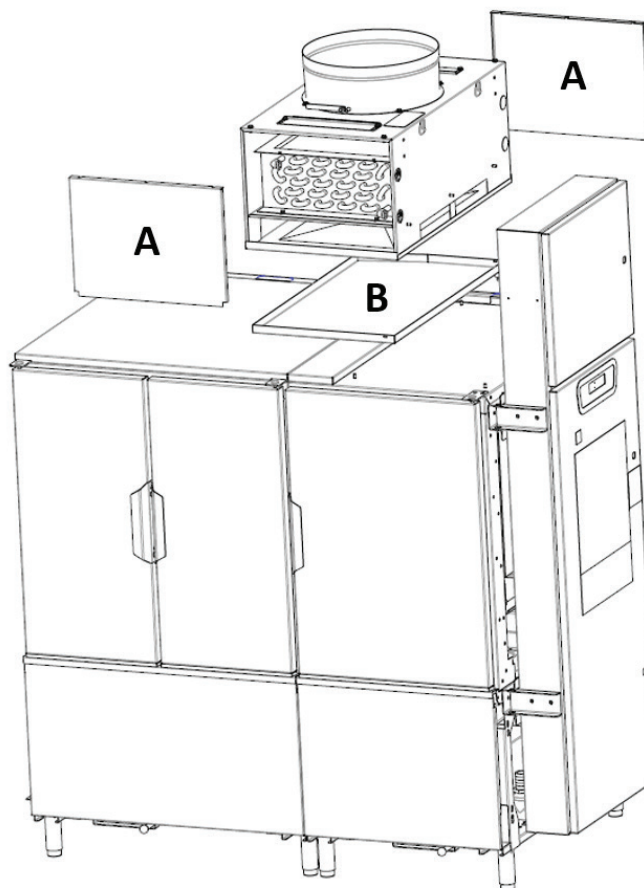


Fig. 2

DÉBALLAGE

Aussitôt le lave-vaisselle déballé, vérifiez qu'il n'y ait aucun endommagement lors de son expédition. En cas de dommage, conservez le matériel d'emballage et contactez le transporteur dans les 5 jours suivant la livraison.

Avant l'installation, vérifiez votre service électrique pour vous assurer qu'il corresponde aux spécifications de la plaque signalétique située sur le poste de commande. Le diagramme électrique est situé à l'intérieur du poste de commande.

Les paniers de filtrage, bacs de filtrage, filtres d'entrée d'eau de la pompe et gicleurs sont pré-installés et retenus par du ruban adhésif. Retirez le ruban adhésif et laissez chacune des pièces installées telles quelles. Si une des pièces est retirée temporairement lors de l'installation, remettez-la dans son emplacement respectif après avoir terminé l'installation.

Avant l'installation, assurez-vous que les accommodations électrique, de plomberie et d'évacuation sont disponibles sur le site d'installation. Prenez les mesures des raccords de plomberie, d'alimentation et d'évacuation du site; prenez ensuite les mesures correspondantes de l'appareil pour vous assurer que toutes les raccords pourront être accouplés correctement. S'il est nécessaire de descendre le poste de contrôle lors du transport, des encoches rainurés sont fournies sur les supports de transport du poste de commande pour permettre l'ajustement de la marge de passage. Veuillez vous référer à la page 58.

Retirer chaque section des patins

⚠ AVERTISSEMENT Ne pas utiliser de chariot élévateur directement sur le cadre ou le réservoir de la machine afin de déplacer les sections. Ceci pourrait endommager la machine.

1. À l'aide d'un chariot élévateur ou d'un transpalette manuel, soulevez un côté de du patin et dévissez le pied des pattes aussi loin qu'il le permet sans retirer le pied de la patte. Répétez ceci à l'autre côté jusqu'à ce que tous les pieds soient ressortis. Faites descendre la palette jusqu'au sol. Ceci permet à la machine de se reposer sur ses pieds pour que la palette puisse être retirée facilement.
2. Retirez les deux vis à éclisse des longerons de 2 X 4 pi, situés à l'intérieur des pieds avant et arrière, à chaque extrémité du patin.
3. Retirez tous les tire-fonds situés en haut de chaque traverse du patin, soit à l'arrière ou à l'avant de la machine.
4. De l'extrémité opposé de la machine où vous avez retiré les tire-fonds à l'étape 3, tirez l'assemblage du patin en entier par le dessous de la section de la machine.
5. Vissez les pieds dans les pattes de la machine jusqu'au bout et redévissez-les trois tours complets. Les pattes standards sont dotés de goujons filetés de 3 po (7,62 cm) chacun pour vous permettre de les ajuster de manière exacte. Si vous avez commandé des pieds spéciaux avec des goujons plus longs pour s'adapter à un plancher très incliné, installez-les aux points les plus profonds du plancher avant de déposer l'unité sur le plancher.
6. Ouvrez toutes les portes d'inspection et retirez chacune des pièces emballées et boîtes à l'intérieur des sections de la machine.

7. Retirez tous les emballages, rubans adhésif, câbles et attaches de chaque section. Retirez tous les panneaux arrières et inférieurs.
8. Vérifiez qu'il n'y a plus de ruban adhésif d'emballage sur les flotteurs de chacun des réservoirs et qu'ils peuvent fonctionner librement.

REMARQUE : Ne pas se débarrasser de pièces détachées. Elles pourraient être requise ultérieurement pendant l'installation ou le fonctionnement de la machine.

EMPLACEMENT

Allouez un espace adéquat pour l'installation et l'opération de la machine. Placez les sections de la machine proche de leur position finale. Allouez un espace pour travailler près de chaque côté de la section centrale.

Passez en revue, mais ne retirez pas les étiquettes ou labels avant d'avoir terminé l'installation.

Positionner la section centrale

Utilisez un cordeau à craie sur le plancher pour aligner la machine tout du long de sa longueur.

Avec chacune des sections dans leur position finale approximative, déterminez quelle section se retrouve au point le plus élevé du plancher. **L'assemblage de la machine peut commencer une fois que la section centrale est mise de niveau à une hauteur qui compense la hauteur du plancher des autres sections.**

Mettre de niveau la section centrale

La mise de niveau est une partie importante de l'installation puisque ceci pourrait affecter l'opération de la porte et causer des fuites une fois la machine en fonction.

- Mettez à niveau la section centrale au long de sa longueur en ouvrant les portes et plaçant un niveau entre chacune des portes au long du rail de support du réservoir (Fig. 3). Ne vérifiez pas le niveau à partir du sommet des portes. Ajustez les pieds en les vissant ou les dévissant au besoin pour mettre de niveau.

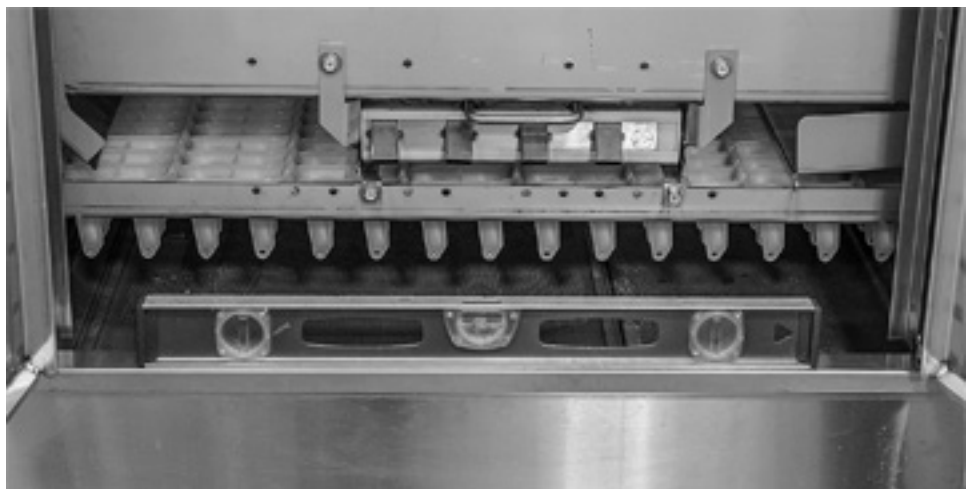


Fig. 3

- Continuez à mettre à niveau la section centrale de l'avant à l'arrière en retirant les panneaux supérieurs et plaçant un niveau au dessus des chambres des deux extrémités de la section centrale (Fig. 4)



Fig. 4

ASSEMBLAGE

Faire pivoter le poste de commande de 90 degrés

Le poste de commande principal est expédié avec des élingues supérieures et inférieures fixées à la partie latérale du poste de commande. Retirez les quatre boulons, rondelles-frein et rondelles 5/16-18 de l'intérieur des supports de transport à l'arrière du poste de commande. Utilisez les élingues (Fig. 1) pour faire pivoter le poste de commande de 90 degrés. Ne retirez pas les élingues jusqu'à ce que le poste de commande soit proprement raccordé à la section de déchargement.

Tirez sur le poste de commande pour permettre à la section centrale et les sections de déchargement de s'appareiller sans l'interférence des tiges qui dépassent de l'arrière du poste de commande.

Installer un ruban de mousse sur les rebords de la chambre et la surface du châssis du poste de commande

Coupez des bandes de mousse en vinyle et les placer aux rebords supérieurs, inférieurs et verticaux des chambres entre les sections de chargement et de déchargement pour faire un joint étanche. Appliquez les deux bandes de ruban de mousse aux rebords verticaux des extrémités des chambres, deux bandes horizontales au long du rebord supérieur et une bande horizontale au rebord inférieur (Fig. 5). Placez le ruban de mousse avec un écart d'environ 1/16 po à 1/8 po (1,6 à 3,2 mm) du rebord extérieur la chambre. Après avoir appliqué le ruban de mousse, coupez l'excédent au long des extrémités de la chambre.

REMARQUE : La pièce de ruban de mousse verticale sur la bordure extérieure en avant de la machine doit être repliée de 1/2 po sur son côté collant, le côté roulé du ruban positionné vers l'avant de la machine.

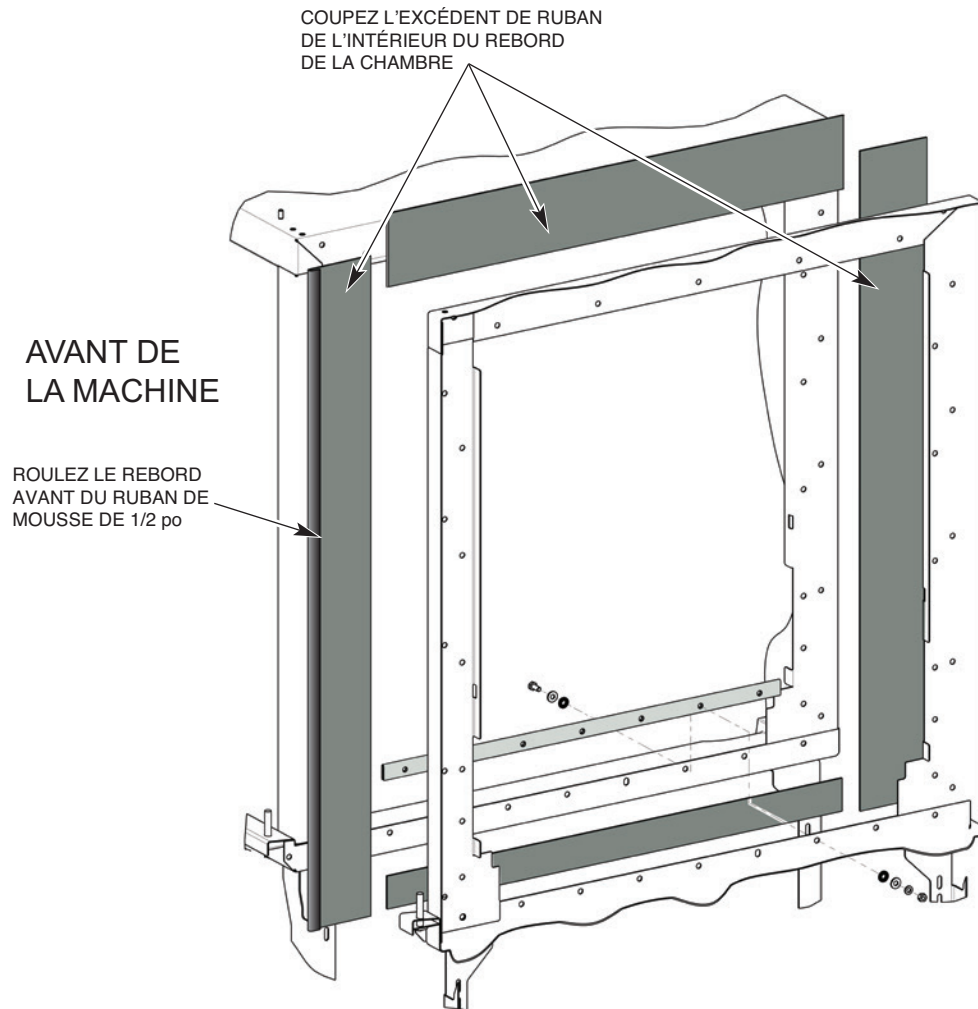


Fig. 5

Appliquez le ruban de mousse sur la section de déchargement où le périmètre arrière du poste de commande sera installé.

Fixer le poste de commande à la section de déchargement

1. Retirez les accessoires de l'avant et l'arrière des pattes détachables. **NE RÉINSTALLEZ PAS LES ACCESSOIRES JUSQU'À CE QUE LES SECTIONS SOIENT INSTALLÉES.**
2. Retirez la pièce de pied détachable de la patte avant de la section de déchargement où le poste de commande sera installé. Ceci permet aux câbles qui sont préinstallés dans le poste de commande d'être acheminé dans l'assemblage du pied (Fig. 6).

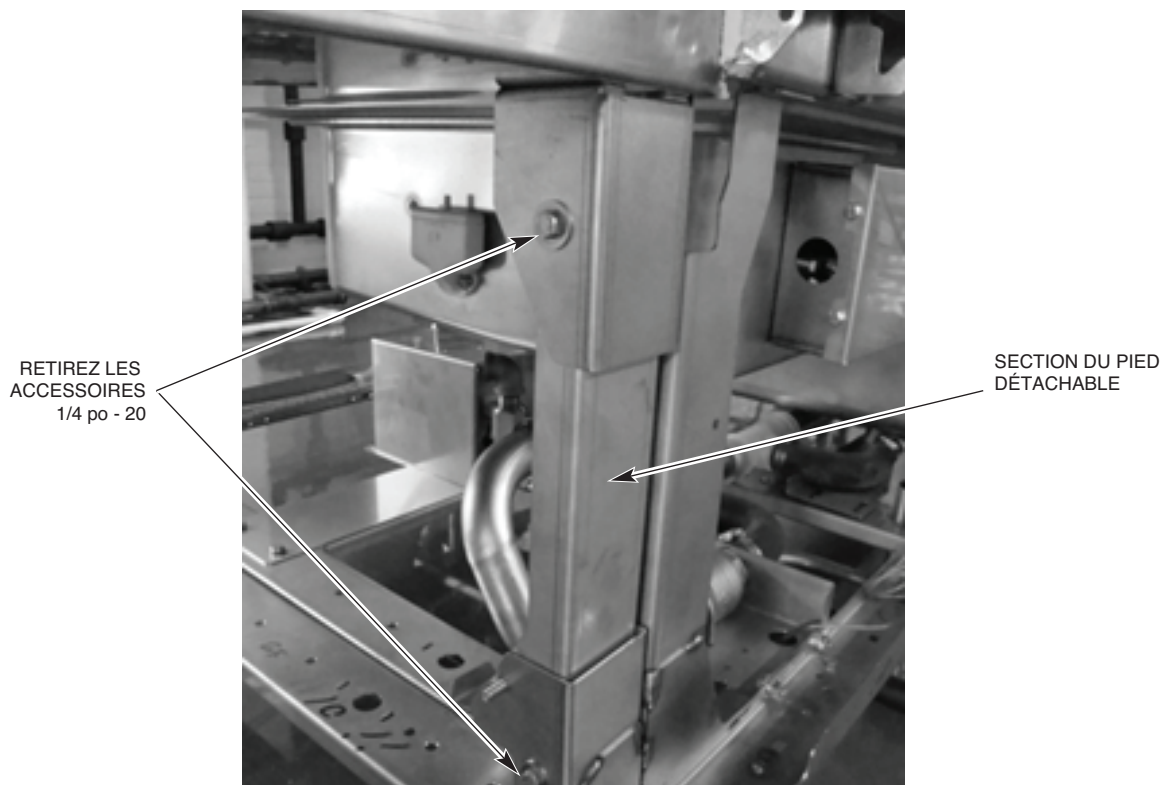


Fig. 6

3. Le poste de commande maintenant pivoté de 90 degrés, déplacez la section de déchargement jusqu'à quelques centimètres de la section centrale derrière le poste de commande.

REMARQUE : Assurez-vous que le câble ne reste pas coincé entre les sections.

4. Déplacez la section de déchargement pour insérer les quatre goujons de 5/16-18 situés à l'arrière du poste de commande dans les trous de montage de la section de déchargement.
5. Réinstallez la section détachable du pied retirée à l'étape 1 (sans les accessoires).
6. Fixez le poste de commande à la section de déchargement à l'aide de quatre boulons, rondelles-frein et rondelles de 5/16-18.
7. Une fois le poste de commande boulonné à la section de déchargement, retirez les deux élingues situés au côté du poste de commande en retirant les deux boulons de 5/16 et l'accessoire de chaque élingue. Le poste de commande fait maintenant partie de la section de déchargement.
8. Installez deux vis à tête ronde de 5/16 dans les trous du poste de commande où les élingues étaient installées.
9. Retirez les élingues des supports de transport en retirant les clavettes et les gonds.
10. Retirez les deux supports de transport de l'extrémité de la section de double rinçage en retirant les trois boulons 5/16 et l'accessoire de chaque cale.

Positionner les sections de chargement et déchargement adjacents

Déplacez la section voisine (chargement ou déchargement) jusqu'à quelques pouces de l'extrémité de la section centrale. Ajustez les pieds de la section voisine à la section centrale qui a été mise de niveau de manière à ce que les supports du réservoir se rencontrent au même niveau. Retirez le papier protecteur du ruban de mousse en vinyle et déplacez la deuxième section à sa position finale. Vérifiez avec soin que les composants se raccordent et s'ajustent correctement.

Mettre de niveau les sections de chargement et déchargement

Les rails de support du réservoir devraient être de niveau sur toute la longueur de la machine (Fig. 3.). Les sections à raccorder devraient être de niveau d'une extrémité à l'autre (Fig. 4).

- Tous les composants raccordant les deux sections devraient être exactement alignés les uns dans les autres.
- Les coins supérieurs des sections se raccordant devraient être de la même hauteur.

Raccorder les sections

Utilisez des chevilles d'assemblage pour aligner les trous des rebords horizontaux et verticaux des chambres des sections à raccorder. Utilisez des étaux en C pour tenir les sections en place lorsque vous boulonnez les rebords des extrémités avant et arrière. Faites attention de ne pas déchirer le joint de ruban en mousse.

AVIS Ne pas utiliser de chariot élévateur directement sur le cadre de la machine, sur le réservoir ou pour soulever des sections de la machine. Ceci pourrait l'endommager.

Attachez les montants d'angle verticaux à deux emplacements à l'aide des accessoires appropriés (Fig. 7).

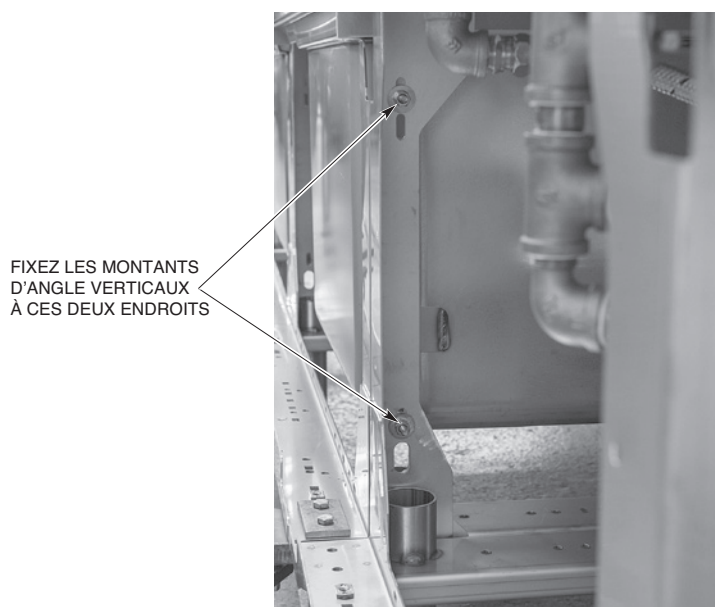


Fig. 7

Installer les déflecteurs de rideau et le déflecteur d'air de l'extrémité de déchargement

Sur le joint de la section du prélavage/lavage, installer les deux crochets de rideau sur le côté du prélavage du joint dans la partie supérieure avant et arrière des angles à l'aide des accessoires appropriés des rebords de la chambre (Fig. 8).

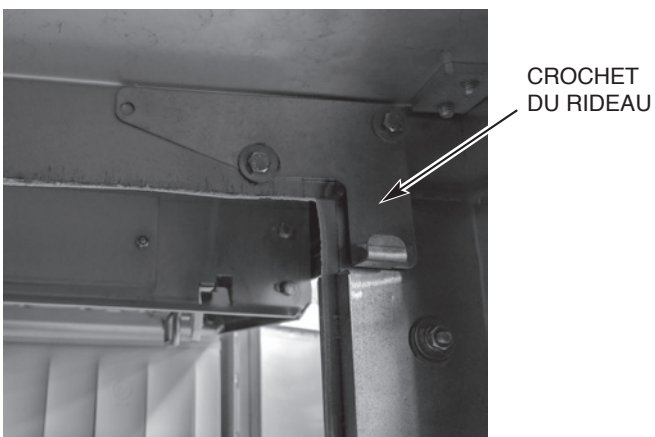


Fig. 8

Installez le déflecteur d'air de déchargement et deux crochets de rideau sur le joint de la section de double rinçage/déchargement. Les crochets de rideau s'installent sur les goujons du déflecteur à air qui dépassent au travers des trous supérieurs arrière et avant de la chambre où les sections sont raccordées à l'aide d'attaches appropriées (Fig. 9). Le déflecteur d'air de l'extrémité de déchargement est doté de trois trous de montage qui doivent être insérés au travers des trois goujons qui dépassent de la partie supérieure de la chambre de déchargement. Vissez avec des écrous, rondelles-frein et rondelles 1/4-20 (Fig. 10).



Fig. 9

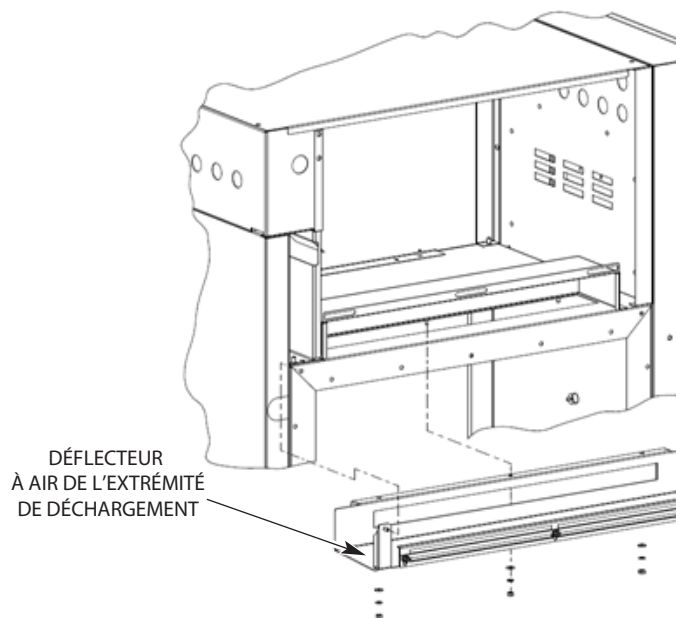


Fig. 10

REBORDS ET ACCESSOIRES DE CHAMBRE DE CHAQUE JOINT DE SECTION

Description	Qté.	Taille du boulon	Ordre d'assemblage	Instructions
Boulon court : utilisez, sauf si les boulons de taille moyenne et longue sont requis	22	¼-20 x 5/8 po	[Boulon, rondelle] [Rondelle, rondelle-frein, écrou]	Utilisez du scellant permagum sur le côté intérieur des rondelles sur les deux côtés des rebords de la chambre.
Boulon taille moyenne : utilisez pour les crochets de rideau et aux coins supérieurs et inférieurs des chambres	9	¼-20 x 3/4 po	[Boulon, rondelle] [Rondelle, rondelle-frein, écrou]	Utilisez du scellant permagum sur le côté intérieur des rondelles des crochets de rideau et rebords de la chambre.
Boulon de taille longue : utilisez sur les joints à dos d'âne, intrerface chambre/voie et les montants d'angle verticaux	15	¼-20 x 1 po	[Boulon, rondelle] [Rondelle, rondelle-frein, écrou]	Utilisez du scellant permagum sur le côté intérieur des rondelles sur les deux côtés des joints à dos d'âne et sur les voies et rebords de la chambre.

Installer le joint à dos d'âne - Rebords inférieurs de la chambre

1. Scellez les rebords du réservoir où les sections se joignent à l'aide d'un joint à dos d'âne.
2. Positionnez le joint à dos d'âne sur les rebords du réservoir et assurez-vous que tous les trous de boulons sont alignés. Utilisez des chevilles d'assemblage (ou des poinçons) pour aligner les trous, au besoin.
3. Si la machine est équipée d'un assemblage de bande transporteuse CC de type standard, installez les déflecteurs et les joints à dos d'âne à l'aide des mêmes accessoires. Assurez-vous que les déflecteurs sont ajustés le plus profondément possible pour assurer que le déflecteur n'interfère pas avec les maillons de la bande transporteuse à raclette (Fig. 11).

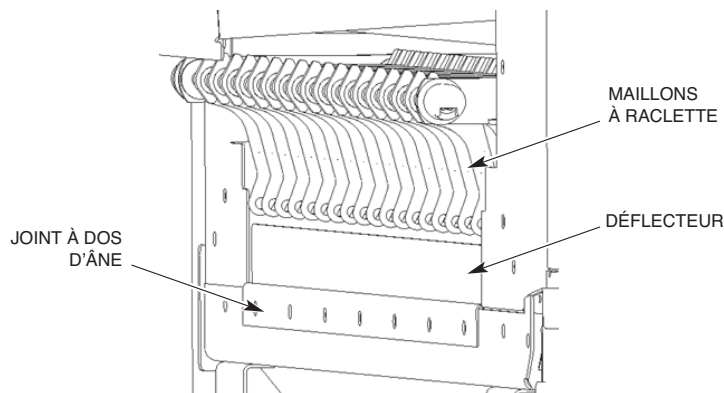


Fig. 11

4. Utilisez le scellant Permagum sur le côté intérieur des rondelles aux deux côtés de la section pour sceller adéquatement (Fig. 10). Un étau en C pourrait être nécessaire pour installer les accessoires. Boulonnez le joint à dos d'âne aux rebords du bas du réservoir à l'aide de sept boulons de taille longue, rondelles, rondelles-frein et écrous fournis.

REMARQUE : Ne pas appliquer de ruban en mousse ou de scellant permagum à l'intérieur du joint à dos d'âne ou sur les surfaces couvertes par la selle.

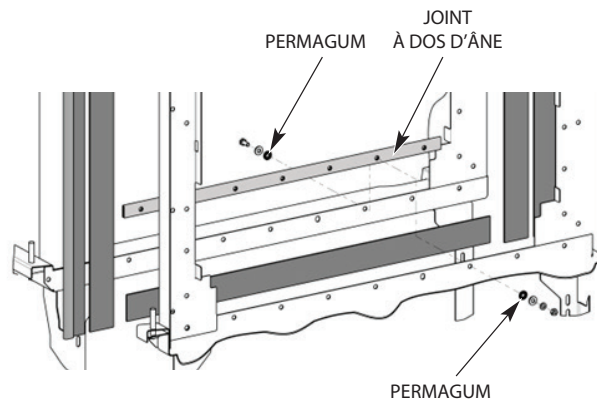


Fig. 12

Installer la conduite de retour d'eau (des réservoirs de lavage au prélavage)

Installez la conduite de retour d'eau entre les réservoirs de lavage et de prélavage (Fig. 13).

Assurez-vous que la conduite de retour d'eau soit lubrifiée avec un lubrifiant à joint torrique (non inclus). Assurez-vous que les joints torriques sont insérés correctement sur le raccord : deux à l'intérieur et un sur l'extrémité de la bride.

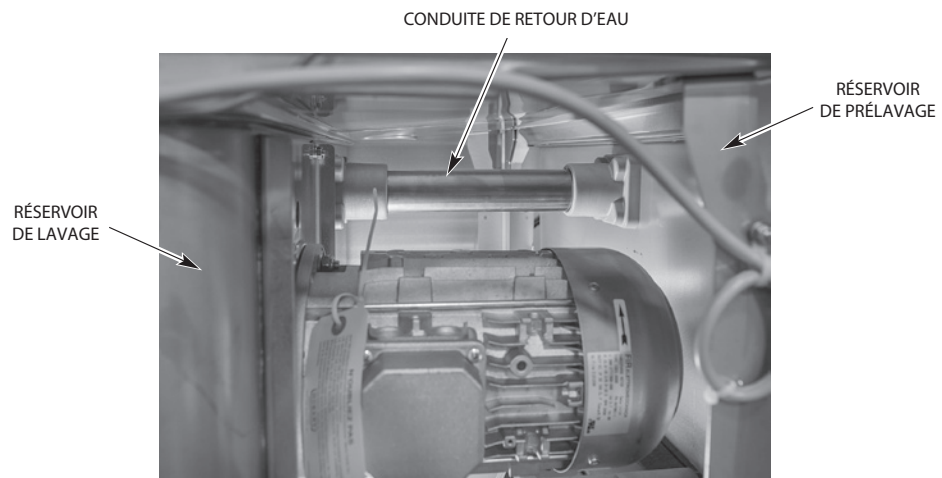


Fig. 13

Installer la conduite de la vidange

Installez la conduite de la vidange entre les sections de réservoirs contiguës comme suit :

1. Lubrifiez le couplage en T moulé à chaque extrémité de la conduite de la vidange à l'aide de lubrifiant d'anneau torrique (non fournie). Ne pas utiliser de lubrifiant à base de produit animal, végétal ou de pétrole.
2. D'un mouvement de torsion, faites glisser la conduite dans un des raccords du couplage en T moulé.
3. Soulevez l'autre extrémité et alignez-la avec le couplage en T moulé. D'un mouvement de torsion, faites glisser le conduit jusqu'à ce qu'il entre en contact avec le butoir du T (approximativement 1-1/4 po de la face du T).
4. Faites glisser les fixations à l'extrémité du tuyau de vidange et serrez pour les maintenir dans leur position.

Déplacer la vidange principale à l'extrémité de chargement (uniquement pour les machines équipées des sections de nettoyage automatique, détartrage automatique et RAS)

REMARQUE : Si le lave-vaisselle est équipé des fonctions de nettoyage ou de détartrage automatique mais ne détient pas de section RAS, l'assemblage de la vidange principale doit rester installé à l'extrémité de déchargement de la machine. Avec cette configuration, si la vidange du client se trouve du côté de chargement de la machine, elle devra être acheminée et raccordée du côté de déchargement jusqu'à la vidange du bâtiment.

Si l'installation demande que la machine soit vidangée à partir du côté chargement, l'assemblage de la vidange principale devra être déplacé tel qu'indiqué ci-dessous :

1. Retirez le support de la poignée de la vidange principale en dévissant les deux boulons et les accessoires situés en dessous des glissières du cadre. Les supports peuvent être jetés; toutefois, conservez les accessoires pour les installer à l'extrémité de chargement.
2. Retirez l'ensemble soudé de la poignée de la vidange en dévissant l'écrou M12-1,5 mm situé en dessous de l'assemblage de la vidange. Retirez le dispositif de retenue magnétique et l'aimant de l'ensemble soudé de la poignée de la vidange et conservez-les pour les réassembler à l'extrémité de chargement. Vous pouvez maintenant vous débarrasser de l'ensemble soudé de la poignée de la vidange.
3. Retirez le connecteur DIN de l'électrovanne de la vidange principale et retirez l'interrupteur de sécurité de la vidange du support qui l'attache à la plateforme de la vidange principale de la section de déchargement. **Conservez tous les accessoires pour les utiliser sur la plateforme de la section de déchargement.**
4. Retirez les trois boulons qui retiennent la plateforme d'assemblage de la vidange principale au dessous des glissières du cadre.
5. Faites glisser la plateforme et l'assemblage de la vidange principale en direction du côté de déchargement de l'unité pour désengager l'assemblage de la vidange principale du conduit de vidange qui s'étend des réservoirs de double rinçage et retirez la plateforme et l'assemblage de la vidange de l'unité.

Pour une machine gauche à droite (étapes 6 à 8) :

6. Retirez la pièce fileté tournée vers le bas (00-949948) du raccord en T de l'extrémité de déchargement et remplacez-la par un bouchon de tuyau au filetage NPT inclus avec la livraison. La pièce 00-949948 peut être jetée. Voir Fig. 14.

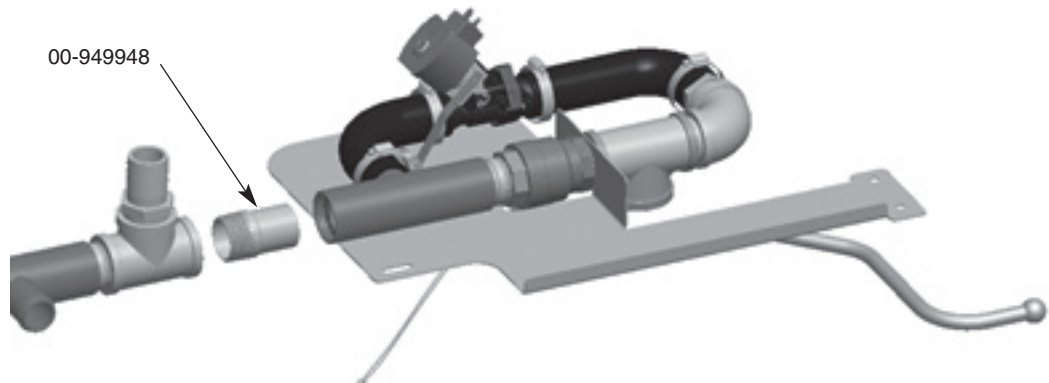


Fig. 14

7. Retirez le bouchon de la vidange, de la serre et du tuyau de caoutchouc installés sur le raccord en T situé à l'extrémité de chargement de l'unité.
8. Remplacez le raccord en T en bride de l'extrémité de chargement avec le raccord en T sans bride situé sous la section de lavage.

Pour une machine droite à gauche (étapes 9 à 11) :

9. Retirez le tuyau (00-948761-00018) qui raccorde la vidange principale et le raccord en T le plus proche. 00-948761-00018 peut être jeté. Voir Fig. 15.

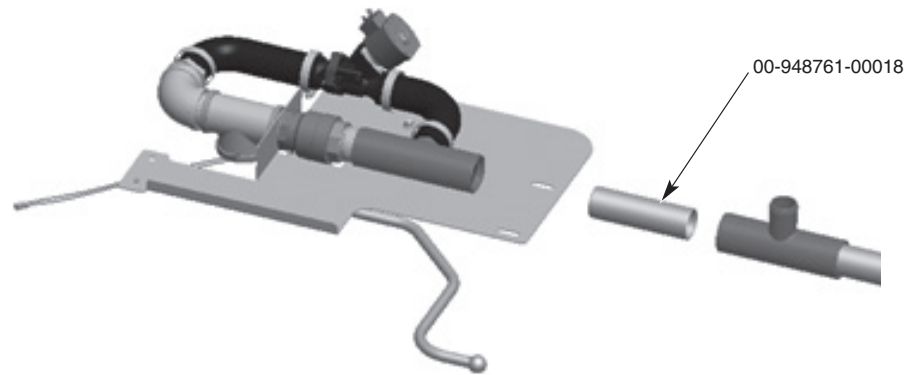


Fig. 15

10. Retirez le tuyau de caoutchouc connecté au raccord en T situé à l'extrémité de chargement de l'unité.
11. Remplacez le raccord en T y compris le bouchon de la vidange et la serre avec le raccord en T sans bride situé du côté de déchargement.
12. Retirez les deux boulons et leurs accessoires qui retiennent l'électrovanne au support. **Conservez ces supports et tous les accessoires pour les utiliser sur la plateforme de chargement à l'autre extrémité.**
13. Desserrez les serres qui retiennent les deux tuyaux de caoutchouc au raccord de plastique en T et le raccord à tige indenté. Retirez les tuyaux.
14. Débranchez l'interrupteur de sécurité de la vidange 8TB-10 et 8TB-11 de la plaque à bornes dans le poste de commande.
15. Retirez l'assemblage de la vidange de la plateforme en dévissant le raccord en T de laiton du mamelon de tube qui raccorde le raccord en T de laiton à la vanne manuelle.
16. Retirez le support de l'interrupteur de sécurité de la vidange situé en dessous de la plateforme et le support qui retient l'électrovanne de la vidange. **Conservez ces supports et tous les accessoires pour les utiliser sur la plateforme de chargement à l'autre extrémité.**
17. Jetez la plateforme de déchargement.
18. Installez l'aimant et le support de l'aimant avec les accessoires que vous avez retiré à l'étape 2 à l'ensemble soudé de la poignée de la vidange principale à l'extrémité de chargement de la machine. **Assurez-vous que le point blanc sur les faces de l'aimant soit orienté vers le bas.** Voir Fig. 16.



Fig. 16

19. Installez le support de l'interrupteur de sécurité de la vidange que vous avez retiré à l'étape 16 au dessous de la plateforme de la vidange principale de l'extrémité de chargement, incluse avec la livraison de la machine.
20. Assemblez la plomberie de la vidange principale que vous avez retiré à l'étape 15 à la plateforme située à l'extrémité de chargement. **Assurez-vous que le coude en laiton soit orienté vers l'arrière de l'unité.**
21. Desserrez les serres qui retiennent les boyaux de caoutchouc à l'électrovanne et faites pivoter l'électrovanne de 180 degrés. Resserrez les serres.

22. Installez les boyaux de caoutchouc au raccord en T de plastique et le raccord indenté sur l'assemblage de la vidange principale et resserrez les serres. **Assurez-vous que l'assemblage correspond au diagramme selon la direction de l'unité (Fig. 17) et que l'électrovanne est installée correctement pour la direction de la circulation de l'eau de la vidange.**

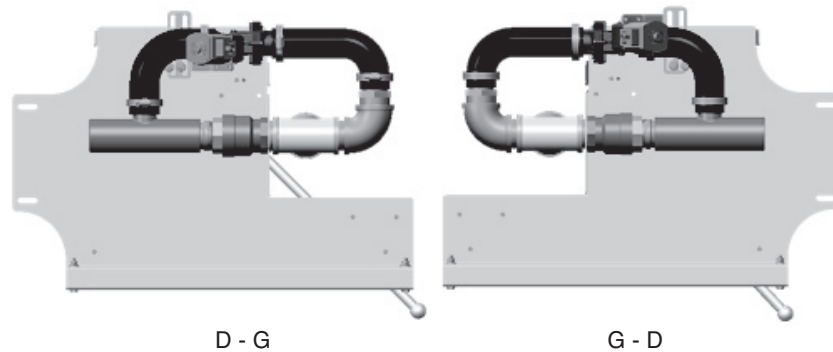
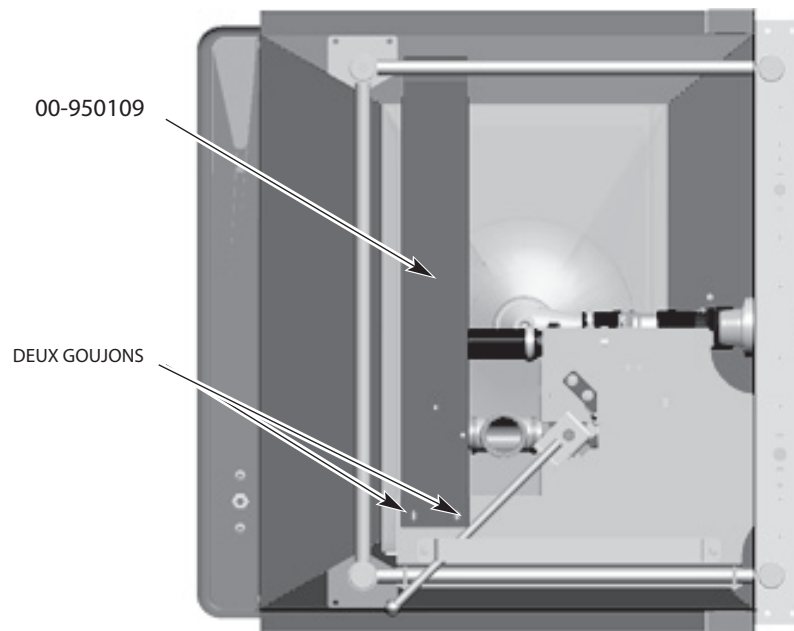


Fig. 17

23. Installez le support de l'électrovanne de la vidange que vous avez retiré à l'étape 16 sur la plateforme et l'électrovanne.
24. Retirez les deux boulons, écrous et rondelles installées à l'avant de la plateforme de chargement.
25. Insérez le tuyau de vidange inclus dans la livraison de la machine (00-948761-00007) dans le raccord en T de l'assemblage de la vidange principale.
26. Installez l'assemblage de la vidange principale et la plateforme à l'extrémité de déchargement de la machine and faisant glisser la plateforme dans l'extrémité de déchargement de manière à ce que le tuyau de la vidange s'insère dans le raccord en T de plastique. **Assurez-vous que la plateforme repose sur le dessus du support du cadre, en dessous du raccord en T et que le rebord frontipice de la plateforme s'accroche au dessus du support du rail avant. Réinstallez les deux boulons, rondelles et écrous que vous avez retiré à l'étape 24 à l'avant de la plateforme.**
27. Installez la plateforme aux supports du cadre avec les accessoires retirés à l'étape 4.
28. Installez l'ensemble soudé de la poignée de la vidange à la partie inférieure de l'assemblage de la vidange principale avec l'écrou retiré à l'étape 2. **Assurez-vous que la poignée se tient au dessus du support de la poignée de la vidange.**
29. Retirez les deux boulons, écrous et rondelles installées sur le support d'extrémité de chargement, inclus dans la livraison de la machine (00-950109). Voir Fig. 18.



VU DU DESSOUS (Machine R-L)

Fig. 18

30. Installez le support de l'extrémité de chargement à la plateforme de la vidange principale de l'extrémité de chargement à l'aide des deux goujons situés en dessous de la plateforme de la vidange principale. **Assurez-vous que le support passe par dessus le haut du support du rail arrière.**
31. Réattachez les deux boulons, rondelles et écrous au support que vous avez retiré à l'étape 29.
32. Réacheminez le câble de l'électrovanne de la vidange de l'extrémité de déchargement jusqu'à l'extrémité de chargement. Raccordez le connecteur DIN à l'électrovanne de la vidange.
33. Raccordez un nouveau câble d'interrupteur de sécurité (inclus dans la livraison de la machine) (949844-40) aux bornes 8TB-10 et 8TB-11 de la plaque à borne dans le poste de commande. Acheminez le câble vers l'extrémité de chargement et branchez dans l'interrupteur de sécurité de la vidange à l'aide des raccords électriques fournis.
34. Assurez-vous que la vanne manuelle de la vidange principale et l'interrupteur de sécurité s'ouvrent et se ferment correctement.
35. Appliquez l'étiquette de la vidange principale au panneau inférieur situé au dessus de l'assemblage de la vidange principale.

Installation du plateau de récupération de la vidange

Avant d'installer l'assemblage de la bande transporteuse, installez les deux plateaux de récupération arrières de la vidange; l'un d'eux est installé entre le réservoir de prélavage et de lavage, l'autre entre le réservoir de double rinçage et la section de déchargement.

Installez le plateau et le dos d'âne entre les réservoirs de prélavage et de lavage au déflecteur situé dans la section de lavage en vous assurant que le plateau s'incline vers le réservoir de prélavage (Fig. 19). Fixez le plateau et le dos d'âne au déflecteur à l'aide de quatre boulons de $\frac{1}{4}$ -20 x $\frac{3}{4}$ po et des écrous de serrage élastiques. Les chevilles d'assemblage au fond du plateau doivent reposer sur le bord supérieur de la glissière inférieure (Fig. 20).

REMARQUE : Pour installer le plateau et le dos d'âne au déflecteur, dévissez le déflecteur de la glissière pour dégager l'espace afin d'installer le dos d'âne.

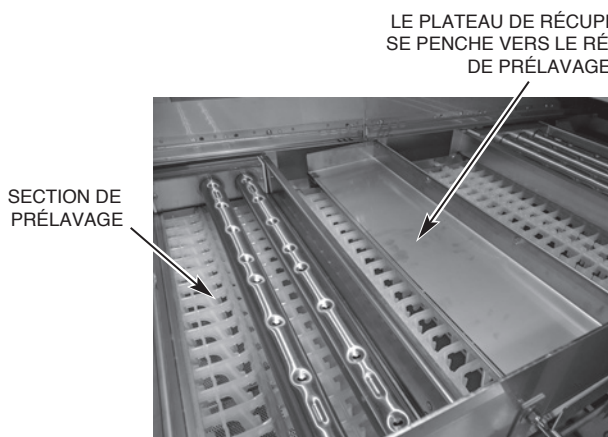


Fig. 19



Fig. 20

Installez le plateau entre la section de double rinçage et de déchargement en vous assurant que le plateau s'incline vers le réservoir de double rinçage (Fig. 21). Fixez le plateau à la partie avant inférieure et les glissières arrière à l'aide de deux boulons de $\frac{1}{4}$ -20 x $\frac{5}{8}$ po et des écrous de serrage élastiques. Les chevilles d'assemblage au fond du plateau doivent reposer sur le bord supérieur de la glissière inférieure (Fig. 22).

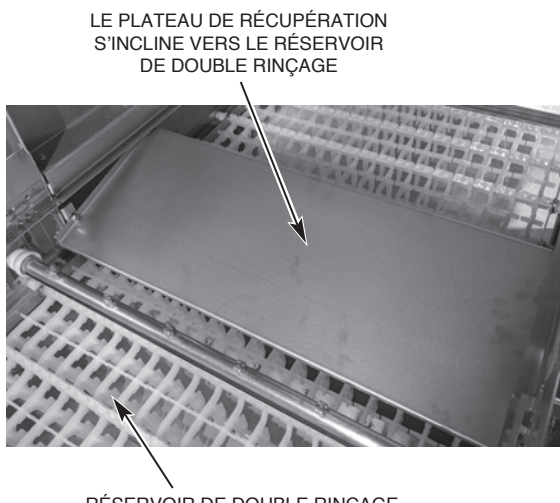


Fig. 21



Fig. 22

Assemblage du séchoir

AVIS Lorsque vous installez l'ensemble d'aération du séchoir, il est important de ne pas se tenir, s'asseoir ou se pencher sur le déflecteur d'air ou les supports du déflecteur d'air car ceci pourrait affecter la performance du séchoir.

1. Retirez les panneaux du couvercle du séchoir : le panneau avant, arrière et du dessus (Fig. 23).

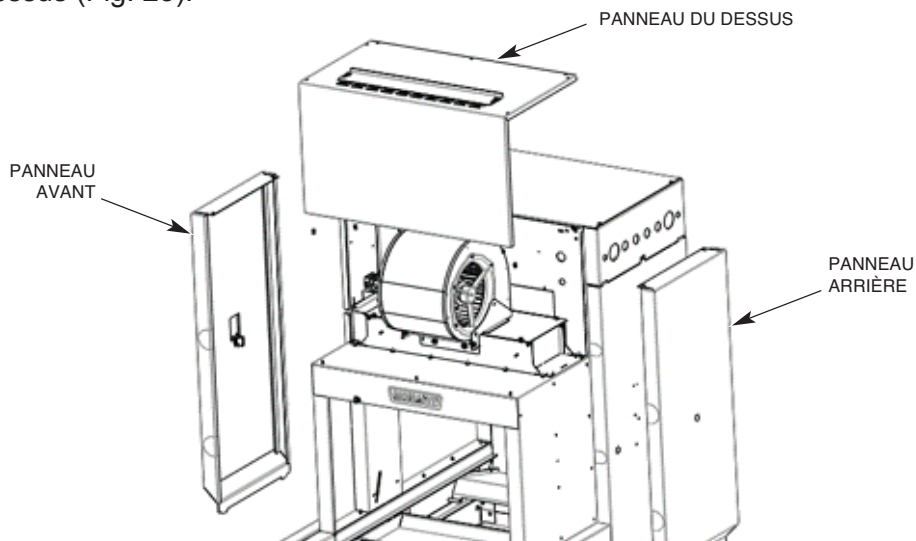


Fig. 23

2. Installez l'ensemble d'aération sur la monture du fil chauffant en descendant l'ensemble d'aération en angle pour que les onglets du devant s'accrochent aux encoches situées sur la plaque du haut de la monture du fil chauffant (Fig. 24 et 25).

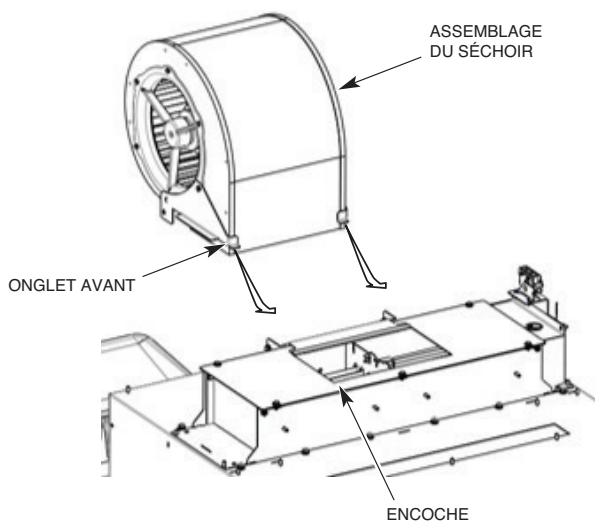


Fig. 24

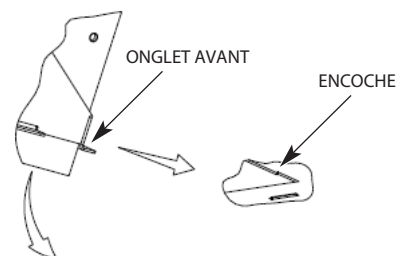


Fig. 25

3. Descendez le côté arrière de l'ensemble du séchoir pour que les trous des supports de fixation s'alignent avec les trous des supports de fixation de la monture du fil chauffant. (Fig. 26).
4. Installez les vis à tête hexagonale à calotte $\frac{1}{4}$ -20 avec leurs rondelles et rondelles-frein tel qu'illustré à la figure 26 et serrez.

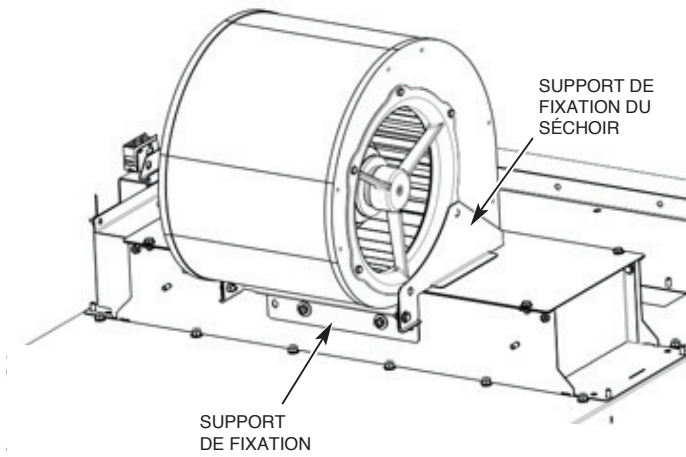


Fig. 26

5. Acheminez le câble de l'aérateur dans le réducteur d'effort situé sur le panneau qui entoure la cuve et à travers le réducteur d'effort situé à l'arrière de la boîte de commandes.

REMARQUE : Assurez-vous que le câble n'est pas acheminé sur le côté de l'aérateur où l'ouverture de prise d'air est située.

6. Connectez les câbles du moteur de l'aérateur à la plaque à borne 9TB dans le poste de commande. Si les fils sont dénudés, coupez l'extrémité du fil pour retirer la partie dénudée avant d'effectuer la connexion. Assurez-vous que le moteur est câblé conformément à la tension de la machine (voir la plaque signalétique pour déterminer la tension de la machine) (Fig. 27).

REMARQUE : D'autres fils blancs ne sont pas utilisés. Coupez les fils blancs à l'arrière de la gaine.

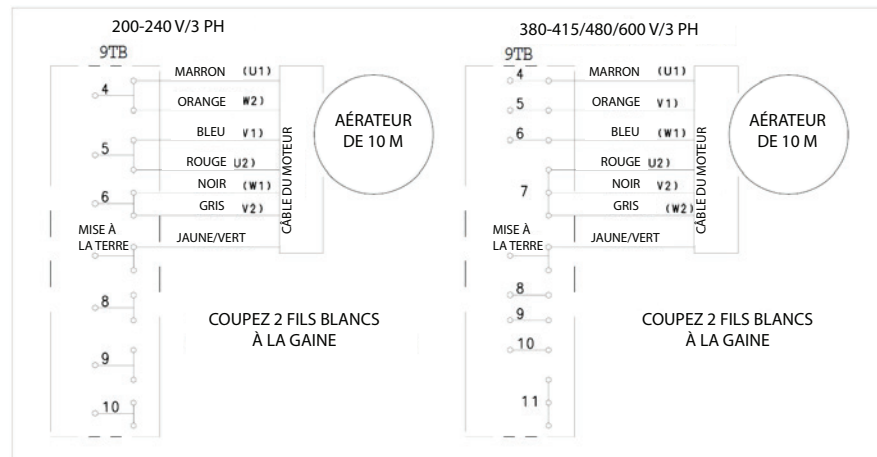


Fig. 27

REMARQUE : Si le séchoir est équipé de chauffage électrique, raccordez les câbles du chauffage marqués 7HTR-1, -2, -3, -4, -5 et -6 aux éléments de chauffage du séchoir (Fig. 28). Raccordez aussi les câbles de surchauffage du chauffage électrique marqués 6TAS-C, -NC, et -NO et les câbles du voyant témoin de surchauffage marqués 1PL-X1 et -X2 aux bornes situés sur l'interrupteur de limitation de température 6TAS installé sur le couvercle de l'élément électrique (Fig. 29) ainsi que le voyant d'avertissement de surtempérature 1PL installé sur le couvercle du séchoir avant (Fig. 29).

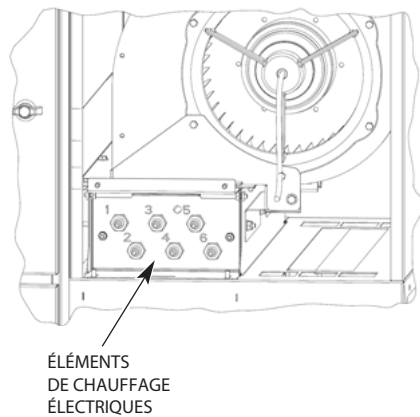


Fig. 28

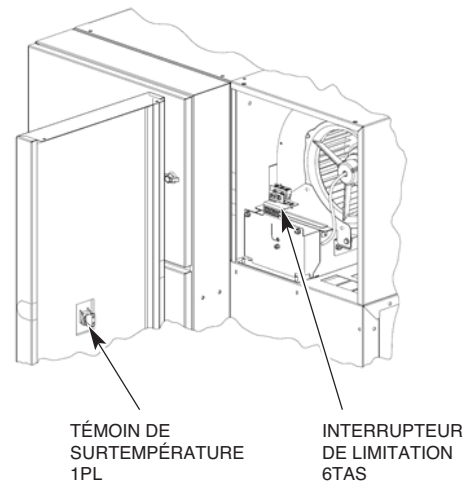


Fig. 29

Installation du module Advansys

Veillez vous référer au manuel d'instalation Advansys FT1000e de Hobart Service, F-45777.

Raccords du poste de commande

Veillez vous référer au diagramme électrique à l'intérieur de la porte principale du poste de commande. Après l'avoir passé en revue, assurez-vous qu'il est remis à l'intérieur du poste de commande.

Bien que chaque section soit précâblée, les composantes des sections de chargement et de déchargement doivent être raccordées électriquement au poste de commande installé sur la section de déchargement. Tous les câbles à connecter ont leur bornes dégarnies et sont dotés de bornes à fut fermé pour les raccorder sur la plaque à borne. Des connecteurs mâles verrouillables sont aussi fournis pour les tableaux de commande.

Acheminez les câbles au travers de brides d'acheminement, de conduits, etc., jusqu'aux ouvertures dans la partie inférieure-arrière du poste de commande. Acheminez les câbles (dans les conduits) au travers des attaches et le câblage au travers de réducteurs d'effort. Faites les raccords pour les fils et le câblage. Resserez les réducteurs d'effort et les attaches de conduit.

Après avoir acheminé et raccordé tous les câbles sur la plaque à bornes, vérifiez que toutes les bornes de la portion inférieure-arrière du poste de commande sont branchées.

NE PAS permettre aux câbles électriques ou conduits de toucher des conduits à vapeur.

Lorsque vous faites des raccords sur la plaque à bornes (8TB), insérez le câble dans la borne désignée. À l'aide d'un petit tournevis, écrasez l'onglet vers le bas pour faire une connexion et attachez le câble. **NE PAS DÉGARNIR LES CÂBLES.**

À l'aide du scellant certifié par NSF fourni à cet effet, appliquez une perle de mastic sur chacun des côtés du poste de commande où les rails de support du réservoir se rencontrent pour permettre à toute condensation de s'égoutter dans le réservoir.

Câblage du réchauffeur de combustible électrique

Si la machine est équipée d'un réchauffeur de combustible électrique, raccordez les câbles du chauffage électrique marqués 6HTR-1, -2, -3, -4, -5 et -6 aux éléments de chauffage dans le boîtier du réchauffeur de combustible électrique (Fig. 30)

REMARQUE : Tout en maintenant l'écrou arrière au dos de la borne du fil, coupez l'écrou externe à 16-18 livres-pouces.

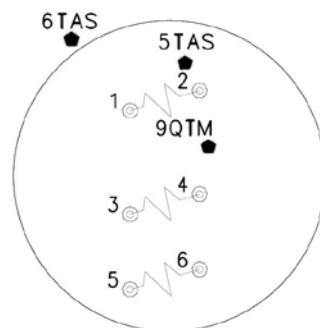


Fig. 30

Interrupteurs de sécurité de la porte et de la vidange (Réservoir de pré lavage et de lavage)

Pour les machines G-D, acheminez le câble à 4 fils de la boîte du corps du flotteur du réservoir de pré lavage dans le corps du flotteur de la boîte du réservoir de lavage et serrez le réducteur d'effort.

- Retirez le fil rouge du connecteur de fil qui contient également le fil bleu étiqueté DOOR (Porte) et connectez ce fil rouge au fil bleu étiqueté LS-RED.
- Connectez le fil bleu étiqueté DOOR (Porte) au deuxième fil bleu étiqueté DOOR du réservoir de pré lavage.
- Retirez le fil rouge du connecteur de fil qui contient également le fil bleu étiqueté DRAIN (Vidange) et connectez ce fil rouge au fil bleu étiqueté DS-RED.
- Connectez le fil bleu étiqueté DRAIN (Vidange) au deuxième fil bleu étiqueté DRAIN du réservoir de pré lavage.

Pour les machines D-G, acheminez le câble à 4 fils de la boîte du corps du flotteur du réservoir de lavage dans le corps du flotteur de la boîte du réservoir de pré lavage et serrez le réducteur d'effort.

- Connectez le fil bleu étiqueté LS-BLACK (LS-noir) au fil noir du câble du commutateur à lames de la porte du réservoir de lavage (câble à travers la partie supérieure du réducteur d'effort).
- Connectez le fil bleu étiqueté DOOR au fil rouge du câble du commutateur à lames de la porte du réservoir de lavage (câble à travers la partie supérieure du réducteur d'effort).
- Connectez le fil bleu étiqueté DS-BLACK (DS-noir) au fil noir du câble du commutateur à lames de la vidange du réservoir de lavage (câble à travers la partie médiane du réducteur d'effort).
- Connectez le fil bleu étiqueté DRAIN (Vidange) au fil rouge du câble du commutateur à lames de la vidange du réservoir de lavage (câble à travers la partie médiane du réducteur d'effort).

REMARQUE : Deux connecteurs de fils supplémentaires sont fournis dans la boîte des pièces d'installation.

RACCORDS DE PLOMBERIE

Vérifiez toutes les conduites d'eau d'origine, en particulier les raccords-unions. Resserrez au besoin.

Alimentation en eau

L'alimentation en eau doit être dans la plage de dureté de l'eau recommandée de 3 grains par gallon. Une dureté de l'eau supérieure à ceci pourrait causer des dépôts de calcaire excessifs. Les chlorures ne devraient pas excéder 50 ppm.

EXIGENCES DE PRESSION DE L'EAU (CIRCULATION) – PSIG

	Eau chaude	Eau froide
FT1000e/FT1000Se	30-35	---
FT1000e/FT1000Se avec nettoyage automatique	40-45	---
FT1000e-ER/ FT1000Se-ER	30-35	30-35
FT1000e-ER/ FT1000Se-ER avec nettoyage automatique	40-45	30-35
FT1000e-ADV	40-45	30-35

Si la pression d'eau est supérieure à ces exigences, un régulateur de pression avec dérivation d'expansion thermique interne doit être fourni et installé (par d'autre fournisseurs) sur la conduite d'alimentation en eau vers le lave-vaisselle.

AVIS Le régulateur de pression d'eau doit posséder une dérivation de surpression. La négligence d'utiliser le bon type de régulateur pression pourrait endommager l'unité.

Un antibélier conforme à la norme ASSE-1010 ou équivalent doit être fourni et installé (par un autre fournisseur) sur les conduites d'alimentation en eau chaude et froide (si applicable) au niveau des branchement de l'immeuble.

Remplissage

Toutes les machines possèdent un raccord commun NPT femelle de 1 po pour leur remplissage. La température minimum pour ce raccord est de 110 °F (43 celcius).

Rinçage final

Pour les modèles de base FT1000, la température minimale de l'eau chaude pour le rinçage final est de 110 °F (43 celcius) lorsqu'un réchauffeur de combustible électrique ou de vapeur est installé (même point de raccord que le remplissage). Pour les modèles de récupération d'énergie FT1000, la température minimale de l'eau froide du rinçage final est de 55 °F (13 celcius) lorsqu'un réchauffeur de combustible électrique ou à vapeur est installé. Les modèles de récupération d'énergie possèdent un seul point de raccord d'eau froide NPT de 1 po.

AVIS Retirez les gicleurs de rinçage final et purgez le système de rinçage final avant de faire fonctionner. Ceci réduit le risque de blocage des buses du rinçage final. Pour purger l'unité, activez le rinçage final pendant 3 à 5 minutes et réinstallez les gicleurs.

Vidange

Pour les machines sans nettoyage ou détartrage automatique, raccordez la vidange au raccord fileté NPT de 2 po situé soit à l'extrémité de chargement ou l'extrémité de déchargement de la machine.

REMARQUE : Le raccord du bouchon et le raccord fileté de la vidange peuvent être interchangeables pour inverser l'orientation de la vidange de la machine.

Sur les machines équipées du nettoyage ou détartrage automatique, l'assemblage de la vidange principale se trouve à l'extrémité de déchargement de la machine. Connectez la vidange au raccord fileté NPT de 2 po. Voir DÉPLACER LA VIDANGE PRINCIPALE À L'EXTRÉMITÉ DE CHARGEMENT (page 70) si la vidange de la machine demande à être relocalisé à l'extrémité de chargement.

REMARQUE : Les machines équipées du nettoyage automatique sans la section RAS ne peuvent avoir la vidange principale qu'à l'extrémité de chargement.

Si le code de plomberie demande l'installation d'un séparateur de graisse, la vidange devrait quand même permettre un débit de 38 gallons par minute.

Filtres de conduite

Les filtres de conduite de la machine devraient être nettoyés après l'installation et dans la première semaine de mise en marche. Les filtres de conduite devraient récolter les huiles et les autres contaminants. Les filtres de conduites bouchées restreignent l'écoulement de l'eau ou de la vapeur et réduisent la performance d'ensemble de la machine.

Alimentation en vapeur (si équipé)

Vérifiez toutes les conduites de vapeur pour des fuites, en particulier au niveau des raccords-unions. Resserrez au besoin.

L'alimentation en vapeur devrait être de 12-45 psig en pression au niveau du lave-vaisselle. Les machines sont dotés d'un seul raccord de 1 ½ po NPT femelle sous l'extrémité de chargement.

REMARQUE : Si la pression de vapeur disponible est inférieure à 12 psi coulant dans la machine, contactez Hobart Warewash Sales Engineering.

USAGE / EXIGENCES DE LA VAPEUR- LB/HEURE					
Modèle	Temp. du réservoir	Réchauffeur de combustible 110 °F Eau entrante, 75 °F Rinçage	Séchage	TOTAL Chaleur du réservoir et réchauffeur de combustible	TOTAL Chaleur du réservoir, réchauffeur de combustible et séchage
FT1000e-BAS	215	64	-	279	-
FT1000Se-BAS	194	64	-	258	-
FT1000e-BAS-BD	215	64	52	279	331
FT1000Se-BAS-BD	194	64	52	258	310
FT1000e-EGR	215	64	-	279	-
FT1000Se-EGR	194	64	-	258	-
FT1000e-EGR-BD	215	64	52	279	331
FT1000Se-EGR-BD	194	64	52	258	310
FT1000e-ADV	138	-	-	138	-

Chauffage du réservoir à vapeur – Conduites de retour de condensat

Le réservoir de lavage, réservoir de rinçage à pression et le réservoir de double rinçage pourraient être équipés d'éléments de chauffage de réservoir à vapeur. Si les éléments à vapeur sont utilisés, un conduit de retour du condensat par gravité doit être connecté à chacun des éléments. Des purgeurs à flotteur ouvert sont fournis. Les points de raccords des conduites de retour de condensat sont des raccords femelles NPT de 3/4 po. Les conduites de condensat ne doivent être installées en aval.

Réchauffeur de combustible à vapeur – Conduite de retour de condensat et détendeurs de pression

Le point de raccord pour la conduite de retour de condensat du réchauffeur de combustible à vapeur est un raccord femelle NPT de 3/4 po. Le purgeur à flotteur ouvert est fourni. Les conduites de condensat doivent être installées en aval. Le réchauffeur de combustible est équipé d'un détendeur de pression avec un raccord femelle NPT de 1 po qui doit être installé vers la vidange du bâtiment. Le réchauffeur de combustible à vapeur est aussi doté d'un détendeur à pression d'eau chaude avec un raccord femelle NPT de 3/4 po qui doit être acheminé vers la vidange du bâtiment.

Le thermostat du réchauffeur de combustible à vapeur (de type ampoule et tube capillaire) est installé et câblé dans le poste de commande principal. L'ampoule et le tube capillaire sont livrés avec le poste de commande sur la section centrale. Lors de l'installation, l'ampoule et le tube capillaire doivent être déroulés soigneusement et câblés vers le réchauffeur de combustible à vapeur et insérés au travers de la conduite d'eau chaude du réchauffeur de combustible. Insérez l'ampoule au deux tiers de sa longueur dans le corps du réchauffeur de combustible (veuillez vous référer à l'étiquette attachée au thermostat, F-44107).

Séchoir à vapeur (Si équipé) – Conduite de retour de condensat

REMARQUE : Le séchoir à vapeur est doté d'une vanne ouverte/fermée. L'alimentation en vapeur est ACTIVE lorsque la machine est en MARCHE et FERMÉE lorsque la machine est ÉTEINTE.

Le séchoir à vapeur est doté d'une conduite de retour de condensat par gravité et d'un purgeur à flotteur ouvert. Le point de raccord de la conduite de retour de condensat pour l'élément est un raccord femelle NPT de 3/4 po. Les conduites de condensat ne doivent pas être installées en aval.

Raccords de boyau du nettoyage automatique et de remplissage automatique (si installé)

Acheminez les boyaux du nettoyage automatique, situés derrière la section de déchargement, jusqu'aux raccords indentés appropriés du réservoir. Voir les diagrammes ci-dessous pour les désignations des électrovannes jusqu'au réservoir (Fig 31 et 32).

Eau froide - Raccords de boyau tressé en acier inoxydable

1. De la sortie de la pompe du rinçage final vers le haut de la bobine de récupération d'énergie.
2. De la partie supérieure de la bobine de récupération d'énergie au raccord en dessous du réchauffeur de combustible.
3. Du raccord supérieur du réchauffeur de combustible à l'assemblage de rinçage final.

Eau chaude - Raccords de boyau tressé en acier inoxydable

1. De la sortie principale du nettoyage automatique à l'entrée du disjoncteur de de l'aspirateur.
 2. De la sortie du disjoncteur de l'aspirateur au manifold du nettoyage automatique.
 3. De la vanne de remplissage d'eau chaude du pré lavage à la boîte d'intervalle d'air du remplissage de pré lavage.
 4. De la vanne de remplissage du rinçage à pression à la boîte d'intervalle d'air rinçage.
- a. Pour les modèles FT1000Se, de la vanne de remplissage d'eau chaude du lavage à la boîte d'intervalle d'air de lavage.

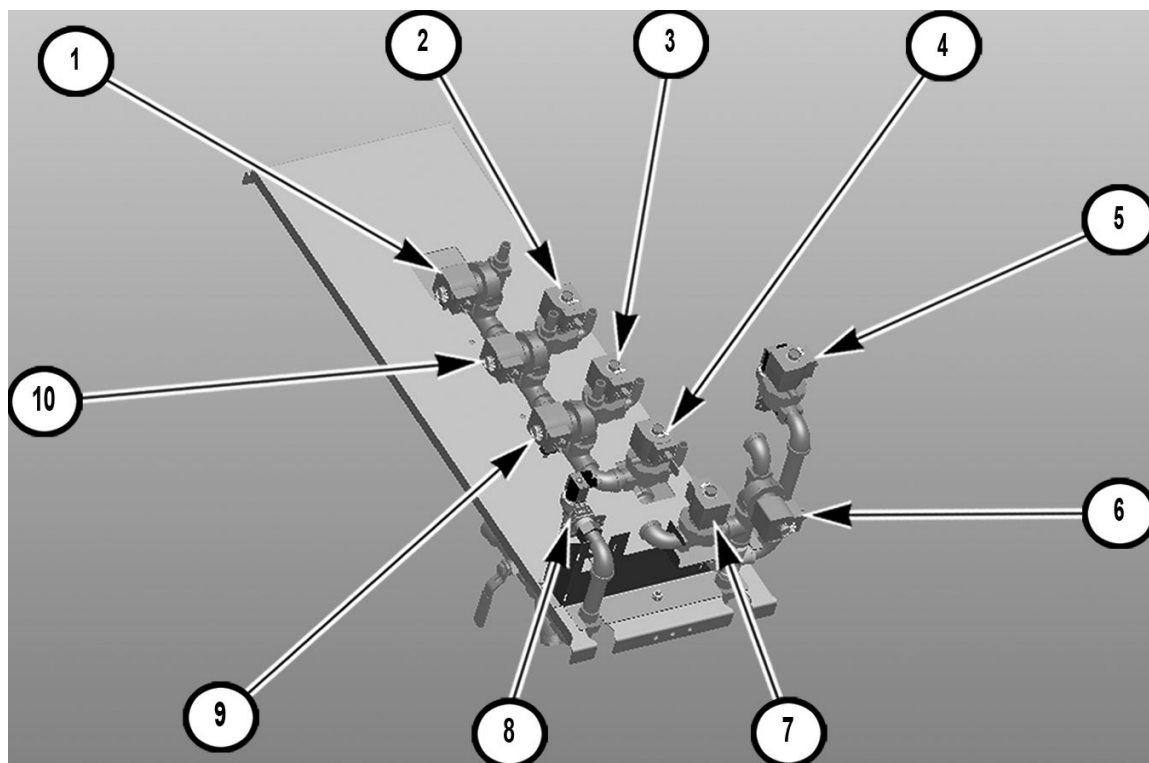


Fig. 31

Assemblage des électrovannes de droite à gauche

Number	Description	Électrovanne
1	Vanne de nettoyage automatique RAS	9 SOL
2	Vanne des buses de pré lavage / lavage du nettoyage automatique	10 SOL
3	Vanne des buses supérieures de lavage du nettoyage automatique	12 SOL
4	Vanne du double rinçage du lavage automatique	14 SOL
5	Vanne principale du nettoyage automatique	15 SOL
6	Vanne de remplissage d'eau chaude du rinçage à pression	1 SOL
7	Vanne de remplissage d'eau chaude du pré lavage	3 SOL pour FT1000 2 SOL pour FT1000S
8	Vanne de remplissage d'eau froide	5 SOL
9	Vanne de rinçage à pression du nettoyage automatique	13 SOL
10	Vanne des buses supérieures du pré lavage du nettoyage automatique	11 SOL

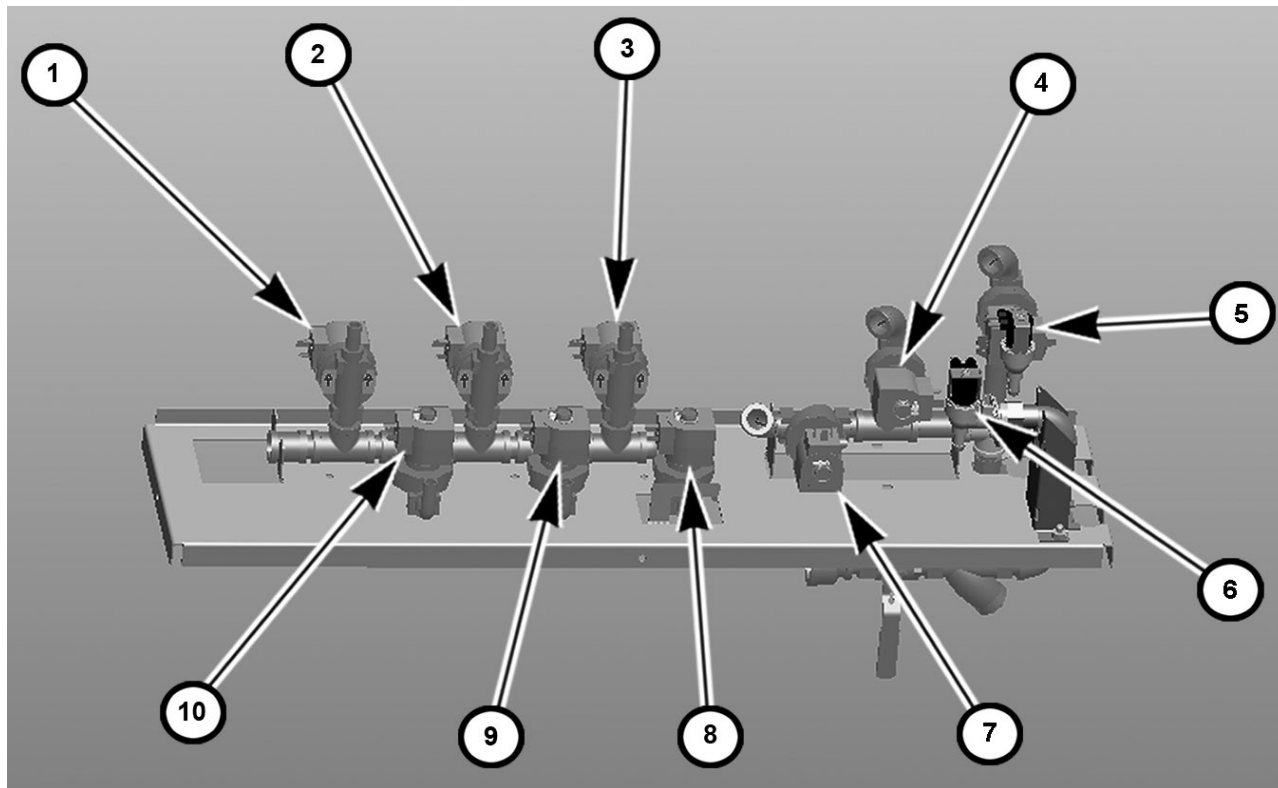


Fig. 32

Assemblage des électrovannes de droite à gauche		
Number	Description	Électrovanne
1	Vanne de nettoyage automatique RAS	9 SOL
2	Vanne des buses supérieures de lavage du nettoyage automatique	11 SOL
3	Vanne de rinçage à pression du nettoyage automatique	13 SOL
4	Vanne de remplissage d'eau chaude du rinçage à pression	1 SOL
5	Vanne principale du nettoyage automatique	15 SOL
6	Vanne de remplissage d'eau froide	5 SOL
7	Vanne de remplissage d'eau chaude du prélavage	3 SOL pour FT1000 2 SOL pour FT1000S
8	Double rinçage du nettoyage automatique	14 SOL
9	Vanne des buses supérieures du prélavage/lavage du nettoyage automatique	12 SOL
10	Vanne des buses inférieures du prélavage/lavage du nettoyage automatique	10 SOL

REMARQUE : Pour FT1000e et FT1000Se (Non-Advansys), la vanne principale de nettoyage automatique sera utilisée pour le remplissage à l'eau chaude pour le rinçage pompé, dans les deux sens.

RACCORDS ÉLECTRIQUES

⚠ AVERTISSEMENT Les raccords électriques et de mise à la terre doivent être conformes aux portions applicables du code électrique national (NFPA N° 70, dernière édition) et tous autres codes de l'électricité locaux applicables.

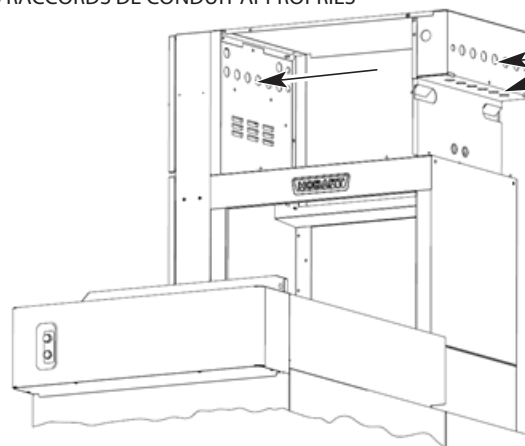
⚠ AVERTISSEMENT Déconnectez l'alimentation électrique à la machine et suivez les procédures de verrouillage/étiquetage de sécurité. Il pourrait y avoir plusieurs circuits à déconnecter.

Une fois l'alimentation à toutes les connexions de service verrouillée/étiquetée, vérifiez que la ligne et les bornes du côté de la charge sont proprement resserrées.

Veillez vous référer au diagramme situé à l'intérieur de la porte du poste de commande. Certaines machines pourraient avoir besoin de plus d'une connexion d'alimentation électrique. Toutes les lignes d'alimentation électrique doivent être déconnectées pendant la maintenance de la machine.

Acheminez les conduits électriques au travers des ouvertures à l'arrière de la machine, derrière le poste de commande. Installez un ou plusieurs raccords de conduit sur les entrées défonçables à l'arrière du poste de commande (Fig. 33).

ACHEMINEZ LE OU LES CONDUITS AU LONG DES OUVERTURES DERRIÈRE LE POSTE DE COMMANDE ET TERMINEZ AUX ENTRÉES DÉFONÇABLES SITUÉS À L'ARRIÈRE DU POSTE DE COMMANDE AVEC DES RACCORDS DE CONDUIT APPROPRIÉS



ACHEMINEZ LE OU LES CONDUITS AU TRAVERS DES OUVERTURES À L'ARRIÈRE DE LA MACHINE

Fig. 33

Protection contre les surcharges du moteur

Assurez-vous que tous les disjoncteurs du panneau de commande n'ont pas sautés en appuyant sur le bouton bleu de réinitialisation à l'avant de chaque disjoncteur des moteurs (Fig. 34). Vérifiez que tous les disjoncteurs sont réglés à l'intensité nominale appropriée selon le tableau situé sur le schéma de câblage et ajuster au besoin.

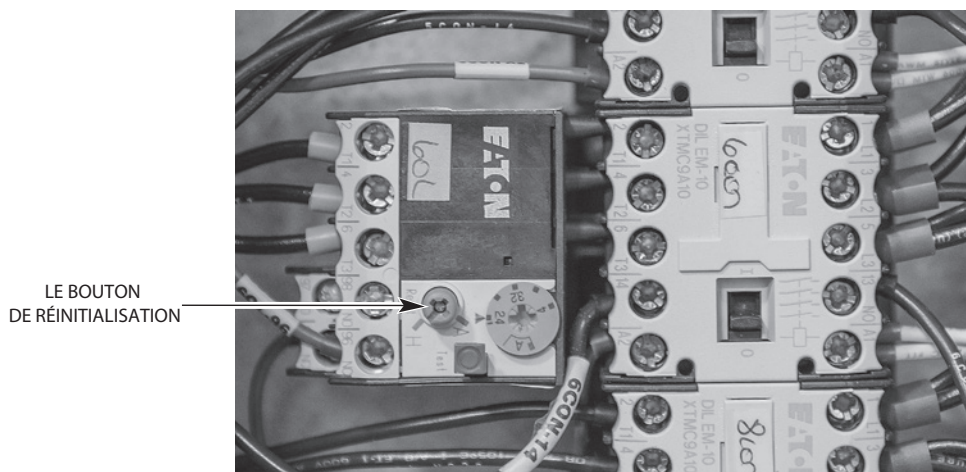


Fig. 34

Vérifier la rotation du moteur (Moteurs triphasés)

Les pompes, le moteur de la bande transporteuse et les moteurs du ventilateur du séchoir (si équipé) sont tous des moteurs triphasés. Avant de mettre la machine en service, vérifiez l'orientation de la rotation du moteur en observant sa direction.

Si une des pompes du moteur ne pivote pas dans la bonne direction, vérifiez la rotation des autres moteurs. S'ils pivotent tous en sens inverse, déconnectez l'alimentation électrique et interchangez n'importe quelle des deux bornes d'alimentation électrique. Si tous les moteurs ne tournent pas dans la bonne direction, ne changez que les deux câbles qui se raccordent au(x) moteur(s) qui pivotent en sens inverse. Reconnectez l'alimentation électrique, appuyez sur l'interrupteur START (Marche) et vérifiez que les moteurs pivotent dans la bonne direction.

REMARQUE : Si le moteur de la bande transporteuse ne pivote pas dans la bonne direction, déconnectez l'alimentation électrique et interchangez les deux câbles du moteur de la bande transporteuse de l'inverseur de fréquence à la borne 8TB-1, -2, ou -3.

Raccords électriques séparés

Vous pourriez avoir besoin d'installer des raccords électriques séparés pour le chauffage électrique d'un séchoir supplémentaire facultatif (si équipé) et pour les systèmes de chauffages de réservoirs supplémentaires facultatifs (si équipé) à moins qu'ils ne soient aussi dotés de disjoncteurs facultatifs. Si équipé d'un réchauffeur de combustible en option, un raccord supplémentaire au réchauffeur de combustible est toujours requis.

Ajustement de la tension

Cette procédure d'ajustement s'applique à tous les lave-vaisselle FT1000 équipés d'un chauffage à vapeur et classés de 200 à 240 volts, 50/60 Hz, triphase. Toutes les autres tensions du lave-vaisselle FT1000 sont préréglées à l'usine et ne demandent aucune procédure d'ajustement.

CETTE PROCÉDURE NE PEUT ÊTRE EFFECTUÉE QUE PAR UN TECHNICIEN DE SERVICE QUALIFIÉ FORMÉ PAR HOBART.

Si la tension vers la machine est de 224 à 264 volts, aucun changement n'est nécessaire. Le transformateur du circuit de commande [1T] devrait être réglé pour fonctionner à 240 volts.

Si la tension vers la machine est de 177 à 224 volts, le transformateur du circuit de commande [1T] devrait être changé pour fonctionner à 208 volts.

Raccord électrique - Distributeurs de détergent et d'agent de rinçage

REMARQUE : Cette machine doit fonctionner avec un distributeur automatique de détergent, équipé d'un moyen visuel de vérifier la distribution des détergents ou d'une alarme visuelle ou audible pour signaler si les détergents ne peuvent être distribués au système de lavage. Veuillez voir les instructions pour les raccords électriques et de plomberie dans ce manuel et dans le manuel de l'équipement de distribution. Les distributeurs à produits chimiques sont fournis et installés par d'autres fabricants.

La tension de cette machine peut être utilisée pour alimenter un distributeur à détergent ou d'agent de rinçage jusqu'à 1,5 ampère chacun.

Les raccordements des bornes DPS1 et DPS2 sont fournis pour l'installation d'un distributeur à détergent (SOUS TENSION lorsque les pompes sont en état de marche). Les raccordements des bornes RPS1 et RPS2 sont fournis pour l'installation d'un distributeur d'agent de rinçage (SOUS TENSION lors du rinçage final). Un espace de ½ po est disponible pour l'acheminement d'un câble à l'arrière du poste de commande pour connecter ces appareils.

Une entrée défonçable est fournie dans le réservoir de lavage vers la gauche, en direction du coin inférieur au côté avant pour installer une sonde. Une entrée défonçable est fournie à l'arrière de la chambre de lavage pour une admission de détergent liquide. Un bouchon de 1/8 po NPT est fourni avec le côté arrière du réservoir de rétention situé sous l'extrémité de déchargement de l'appareil pour installer une admission d'agent de rinçage (Fig. 35). L'emplacement de prédilection d'un distributeur de détergent ou d'agent de rinçage est au dessus de la machine. Deux montures en acier inoxydable sont offertes pour l'installation d'un distributeur (expédié en pièces détachées, pour être installé sur place sur les panneaux du haut de la machine). Acheminez toute la tuyauterie et le câblage entre les panneaux d'accès arrière et la chambre.

RACCORD DE L'AGENT DE RINÇAGE

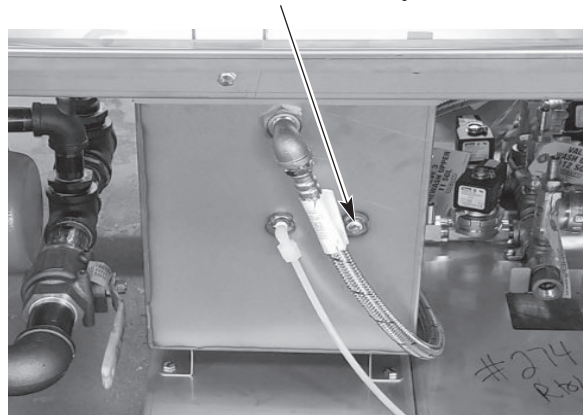


Fig. 35

Commande du ventilateur du conduit d'aération

Le circuit de contrôle du ventilateur d'évacuation peut être utilisé pour l'activer et le désactiver avec le lave-vaisselle. Le ventilateur d'évacuation est activé (ON) quand l'interrupteur d'alimentation principal du lave-vaisselle est activé et le ventilateur d'évacuation est désactivé (OFF) quand l'interrupteur d'alimentation principal du

lave-vaisselle est désactivé. Les points de connexion de la commande du ventilateur d'évacuation sont étiquetés VF1 et VF2 et sont situés sur la plaque à borne 9TB dans la boîte de commandes supérieure au dos du couvercle de protection en acier inoxydable. Un espace de ½ po est disponible pour la connexion du câble de commande du ventilateur d'évacuation à l'arrière du poste de commande.

Le circuit de contrôle du ventilateur d'évacuation est un circuit de commutation. L'alimentation du circuit est fournie par celle de la commande de l'unité au ventilateur sur le toit.

La charge maximale du pilote pour la connexion du commutateur VFC est de 1,5 A.

ASSEMBLAGE DE LA BANDE TRANSPORTEUSE

Avant d'installer la bande transporteuse, veuillez desserrer les deux écrous de blocage situés à l'avant et à l'arrière des assemblages de tension à l'extérieur des glissières à l'extrémité de chargement de la machine. Vissez les boulons de pose aussi profondément que possible pour déplacer les guides de la bande transporteuse avant et arrière vers l'entrée de la machine (Fig. 36). Retirez la chaîne d'entraînement du moteur à engrenages de la bande transporteuse.

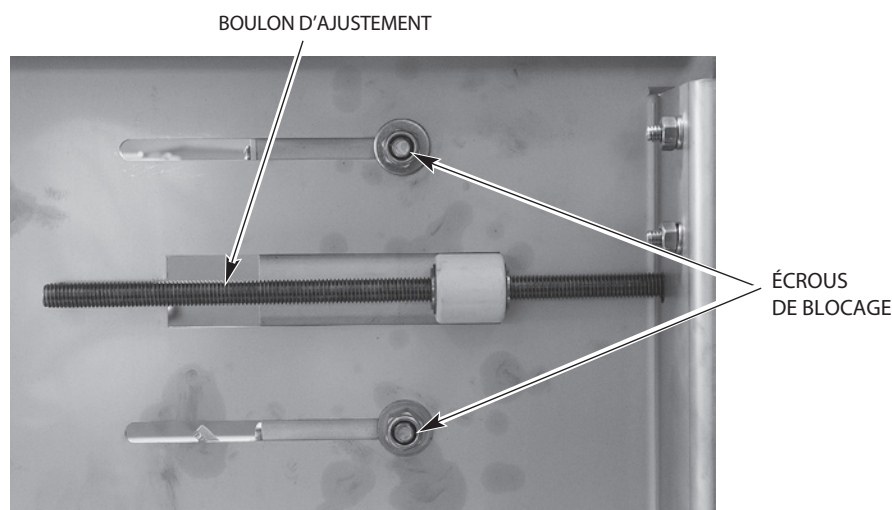


Fig. 36

Installer et joindre les sections de la bande transporteuse

Chaque lave-vaisselle est équipé d'une longueur exacte de bande transporteuse. Les sections de la bande transporteuse doivent être jointes ensemble.

- Toutes les sections de la bande transporteuse sont numérotées : ROLL 1, ROLL 2, ROLL 3, ROLL 4, etc.; veuillez les installer en séquence numérique.
- Retirez les grandes extensions de glissières d'une hauteur de 3 po de l'extrémité de charge (avant et arrière) en retirant les deux jeux d'accessoires pour installer la bande transporteuse. Assemblez de nouveau les extensions de glissières une fois que la bande transporteuse est installée.
- Soulevez la plateforme de chargement et insérez un morceau de carton en dessous, autour et au dessus de la plateforme pour l'empêcher de s'égratigner lors de l'installation de la bande transporteuse.

- Retirez le couvercle de la chaîne sur le côté déchargement et retirez la chaîne d'entraînement du moteur de la bande transporteuse pour que les roues de la chaîne puissent pivoter librement.
- Positionnez la première section de la bande transporteuse en ligne avec la machine, à l'extrémité de chargement. Les maillons à raclette doivent être inclinés en direction de l'extrémité de chargement de la machine (Fig. 37).
- Pour la soudure de sécurité du montage de la bande transporteuse, assurez-vous que les bagues de retenue sont bien soudées aux tiges de la bande transporteuse.

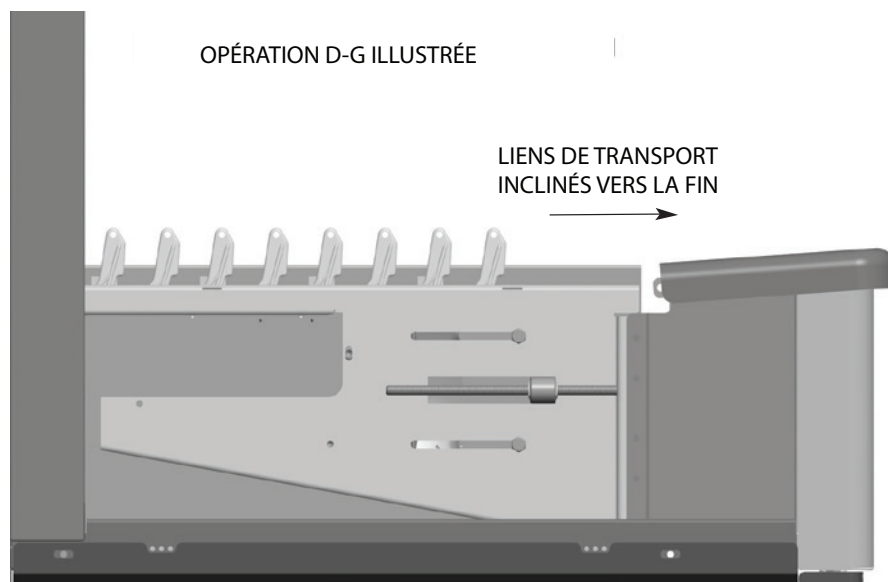


Fig. 37

- Attachez une corde à la première tige de la bande transporteuse. Acheminez la corde au travers de la machine au long du parcours de la bande transporteuse avec les chaînons à raclettes vers le haut. Les rouleaux de la bande transporteuse doivent être insérés entre le guide de rouleau supérieur et la glissière (Fig. 38).

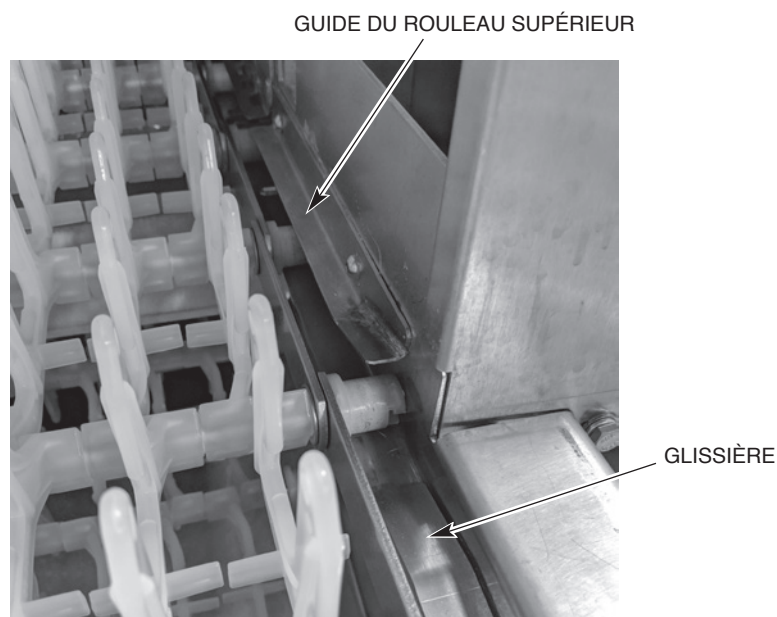


Fig. 38

- Retirez la roulette de la bande transporteuse de l'extrémité de la dernière tige de la bande transporteuse dans la première section. Retirez ensuite la tige et conservez la roulette et les rondelles pour les réinstaller plus tard. Pour joindre les sections, faites passer la tige au travers des barres latérales et des rondelles, puis au travers des premiers maillons, en alternant entre les maillons de la première et deuxième section, et puis au travers de la rondelle et barre latérale de l'extrémité opposée. Terminez l'installation en vissant la roulette avec une nouvelle bague de retenue (Fig. 39 et 40). Faites tourner la roulette pour vous assurer que la bague de retenue est bien installée sur la tige de la bande transporteuse. Toujours utiliser une nouvelle bague de retenue pour s'assurer que la tige de la bande transporteuse soit bien serrée. Répétez ces étapes pour joindre chacune des sections suivantes.

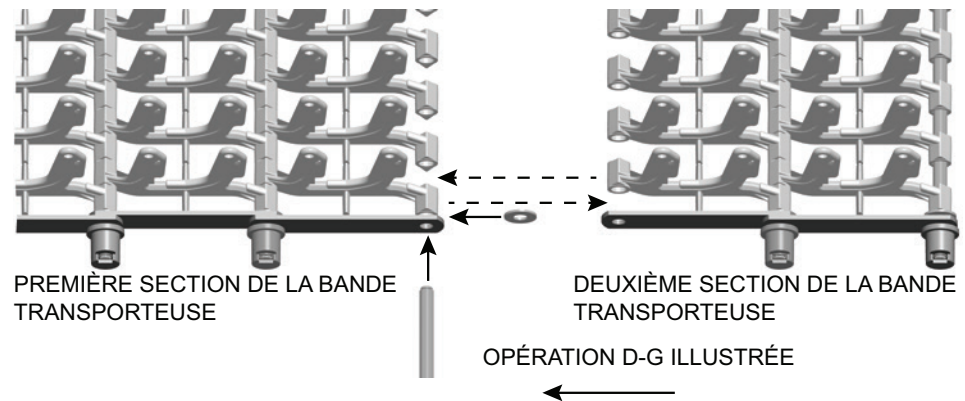


Fig. 39

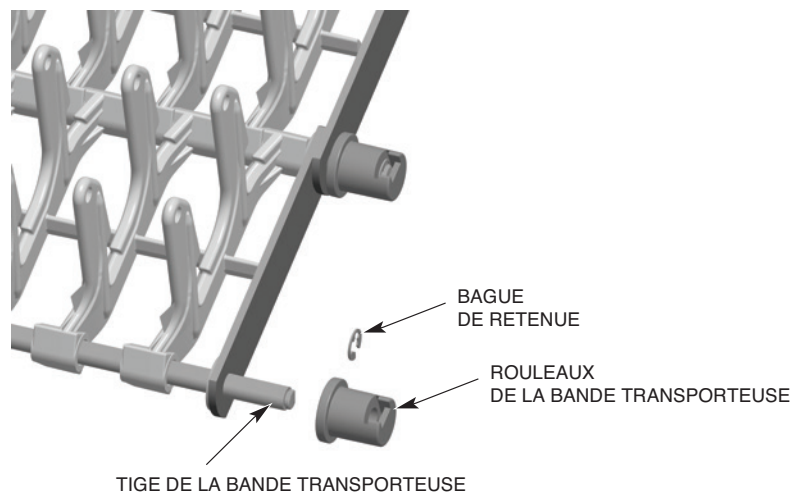


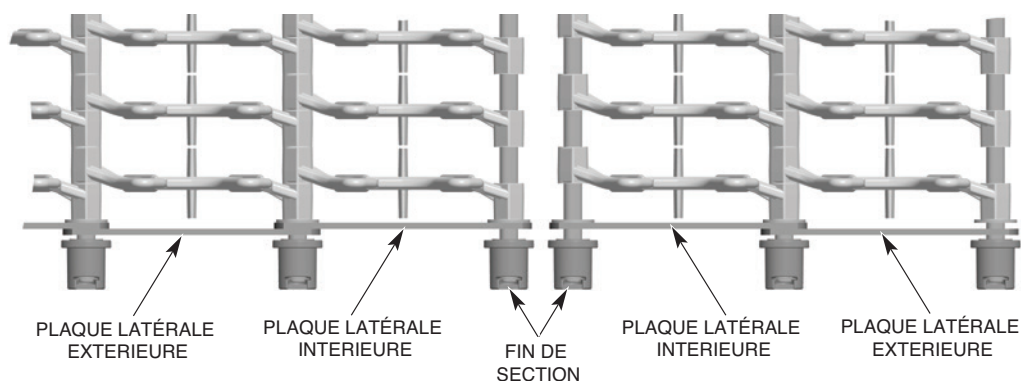
Fig. 40

Tirez la bande transporteuse au travers de la machine en partant de l'extrémité de chargement, autour des roues de chaîne libérées de la bande transporteuse à l'extrémité de déchargement, jusqu'au dessus des glissières inférieures et au travers de la machine de nouveau. Assurez-vous que les roulettes de la bande transporteuse ne passent pas sous les glissières.

Joignez les extrémités de la bande transporteuse en faisant passer la dernière tige de la bande transporteuse au travers des deux rangées de chaînons à raclette et des deux barres latérales de chaque côté. Les chaînons de la bande transporteuse s'alternent avec les deux emboûts du chaînon de l'intérieure avec les deux embouts du prochain chaînon extérieur, à l'exception du maillon coudé de la bande transporteuse, qui n'est utilisé que sur la bande transporteuse standard.

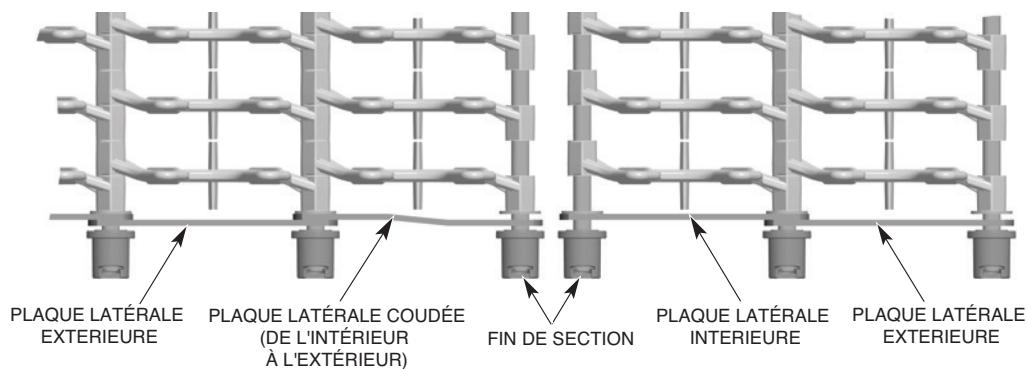
Plaques latérales coudées

Les plaques latérales coudées de la bande transporteuse sont offertes pour les utiliser avec les bandes transporteuses standards et doivent être utilisées, si nécessaire, lorsque vous faites le dernier raccord des deux extrémités de la bande transporteuse. La longueur totale de toutes les sections de la bande transporteuse qui vous est expédiée pourrait être légèrement plus longue que celle demandée pour la longueur de la machine et le parcours de la bande transporteuse. Ceci pourrait demander de retirer une ou deux rangées de maillons avec les tiges, plaques latérales et roulettes correspondantes. Après avoir déterminé la bonne longueur requise, tirez sur les extrémités des deux dernières sections pour examiner la disposition des plaques latérales. Si les deux sections se terminent par une plaque latérale vers l'intérieur (Fig. 41), vous devez remplacer la dernière plaque d'une des sections avec les plaques latérales coudées pour conserver la même disposition (Fig. 42). Toutefois, si les sections se rejoignent de manière à ce que la disposition des plaques latérales reste la même, vous pouvez les rejoindre sans avoir à utiliser les plaques latérales coudées (Fig. 43). Joignez les sections de la bande transporteuse de manière à conserver la disposition des plaques latérales.



ALIGNEMENT INCORRECT DE LA PLAQUE LATÉRALE
(DEUX PLAQUES LATÉRALES À L'INTÉRIEUR)

Fig. 41



ALIGNEMENT CORRECT DE LA PLAQUE LATÉRALE AVEC PLAQUE COUDÉE
(DISPOSITION INTÉRIURE/EXTÉRIURE CONSERVÉE)

Fig. 42

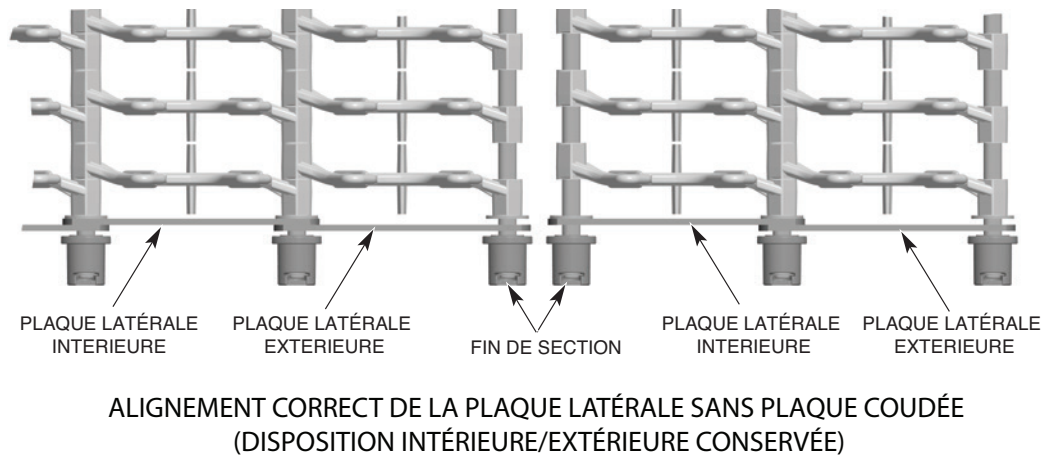


Fig. 43

REMARQUE : La longueur optimale de la bande transporteuse, lorsqu'elle est ajustée, devrait permettre aux maillons à raclette d'être prêts à embrayer les baguettes de chargement (à l'intérieur de 1 po) au niveau de la plateforme de chargement. Il pourrait être nécessaire de retirer une ou deux tiges de la bande transporteuse (avec leurs rangées de chaînons à raclettes) pour obtenir la longueur désirée.

REMARQUE : À chaque fois qu'une roulette de la bande transporteuse est installée ou remplacée, une NOUVELLE bague de retenue (Fig. 40) doit être utilisée.

Une fois la bande transporteuse installée, réinstallez la chaîne d'entraînement du moteur à engrenage de la bande transporteuse.

Ajuster l'unité de tension de la bande transporteuse (section de chargement)

Augmentez la tension de la bande transporteuse en tournant les boulons de poste des unités de tension jusqu'à ce que la bande transporteuse ne s'affaisse plus au niveau de l'extrémité de chargement et de déchargement et resserrez les deux boulons de pose situés à l'avant et à l'arrière des unités de tension à l'extérieur des glissières (Fig. 44).

REMARQUE : Quand la bande transporteuse est ajustée à la tension correcte, assurez-vous que les écrous de réglage sont réglés de façon uniforme sur les côtés avant et arrière en mesurant depuis le bord de la glissière au-devant du guidage à rouleau (Fig. 44).

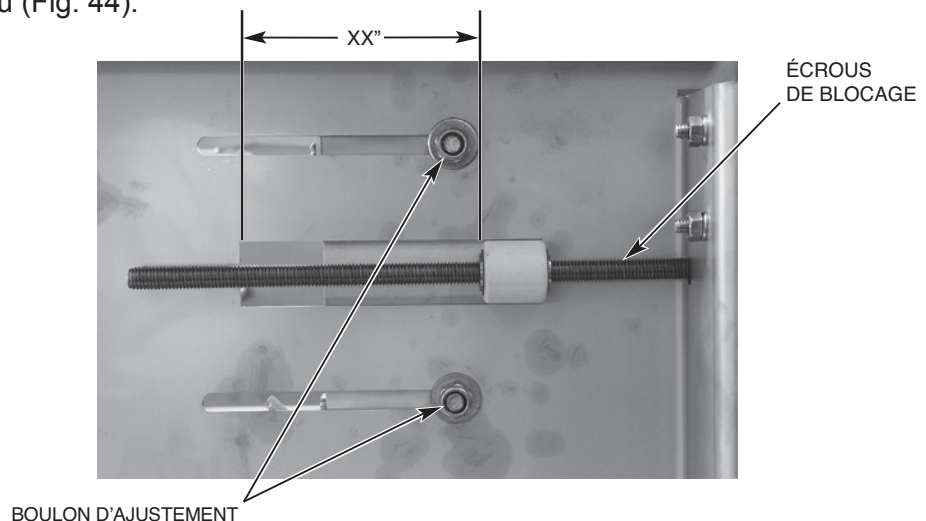


Fig. 44

Faites rouler la bande transporteuse pendant 20 minutes. Pendant ce temps, il pourrait être utile d'effectuer la calibration du thermostat du réchauffeur de combustible indiquée dans la rubrique « Calibrer le thermostat du réchauffeur de combustible » de la section Divers de ce manuel. Après avoir fait rouler la bande transporteuse pendant 20 minutes, arrêtez-la et vérifiez la tension. Une tension correcte est obtenue quand les deux côtés de la bande transporteuse sont agrippés au milieu de la décharge et du soulèvement afin que les rouleaux de la bande transporteuse (les deux côtés) dégagent la surface supérieure des glissières de décharge (Fig. 45)

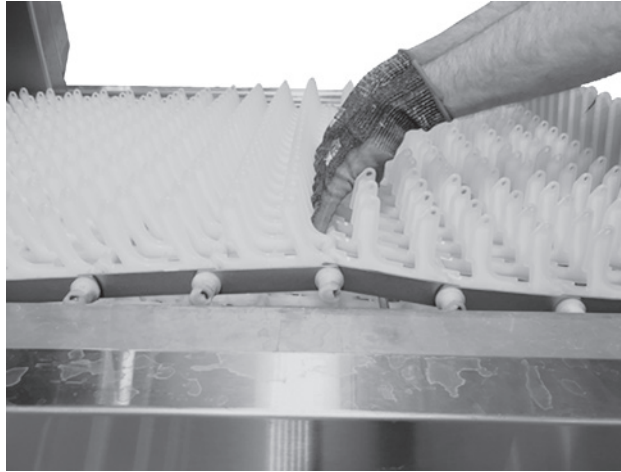


Fig. 45

Vérification et ajustement du réglage du commutateur de blocage de la bande transporteuse FT1000e

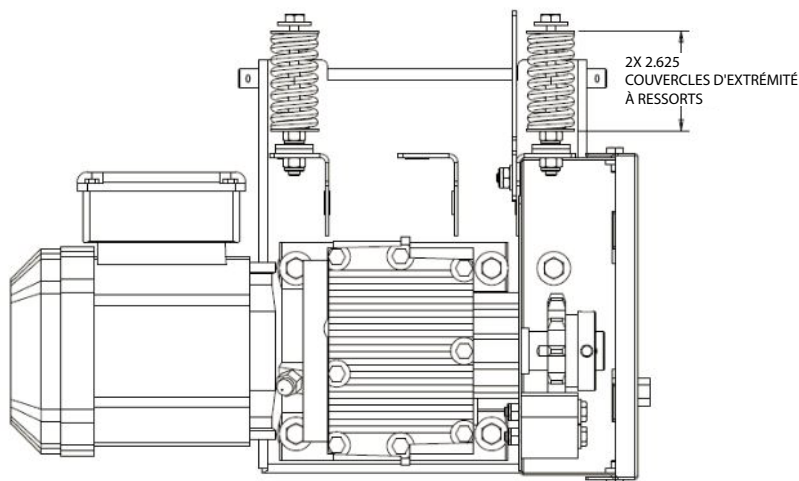
REMARQUE : Cette procédure doit être effectuée une fois que la machine est complètement installée et opérationnelle avec aucune introduction sur la bande transporteuse et elle requiert une clé dynamométrique de 150 pi/lb.

1. Retirez le panneau de renfort inférieur déchargé sur le côté commande de la bande transporteuse pour accéder au mécanisme d'entraînement de la bande transporteuse. (Panneau avant sur les machines G-D, panneau arrière sur les machines D-G.)
2. Démarrez la machine et permettez le fonctionnement de la bande transporteuse.
3. En utilisant une clé dynamométrique de ½ po réglée sur 75 pi/lb avec une douille de 5/8 po, tourner la clé dans le sens horaire vers la tige hexagonale ressortant de la base du mécanisme d'entraînement (Fig. 46).



Fig. 46

- a. Si le commutateur de blocage de la bande transporteuse éteint la machine lorsque le couple de serrage est à 70-80 pieds-livres, aucune autre mesure n'est nécessaire. Remplacez le panneau de renfort inférieur.
 - b. Si le commutateur de blocage de la bande transporteuse n'éteint pas la machine lorsque le couple de serrage est à 70-80 pieds-livres, procédez à l'étape 4.
4. Retirez le panneau d'extrémité déchargé et vérifiez que les deux ressorts sont bien comprimés à la dimension appropriée, comme l'illustre la Fig. 47.



CETTE DIMENSION EST CELLE AVANT L'ASSEMBLAGE DE LA CHAÎNE DU MÉCANISME D'ENTRAÎNEMENT

Fig. 47

- a. Si l'un des ressorts n'est pas comprimé à la dimension appropriée, ajustez la compression comme il se doit en serrant ou desserrant l'écrou adjacent au ressort.
5. Vérifiez la position de la plaque de l'actionneur antiblocage de la bande transporteuse et le capteur de blocage pour vous assurer qu'ils sont positionnés tel qu'illustré ci-après et les régler si besoin est (Fig. 48 et 49).

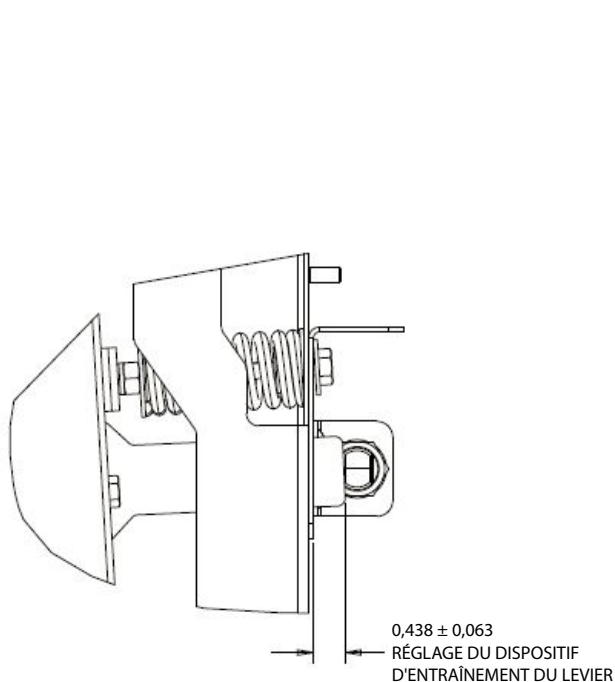


Fig. 48

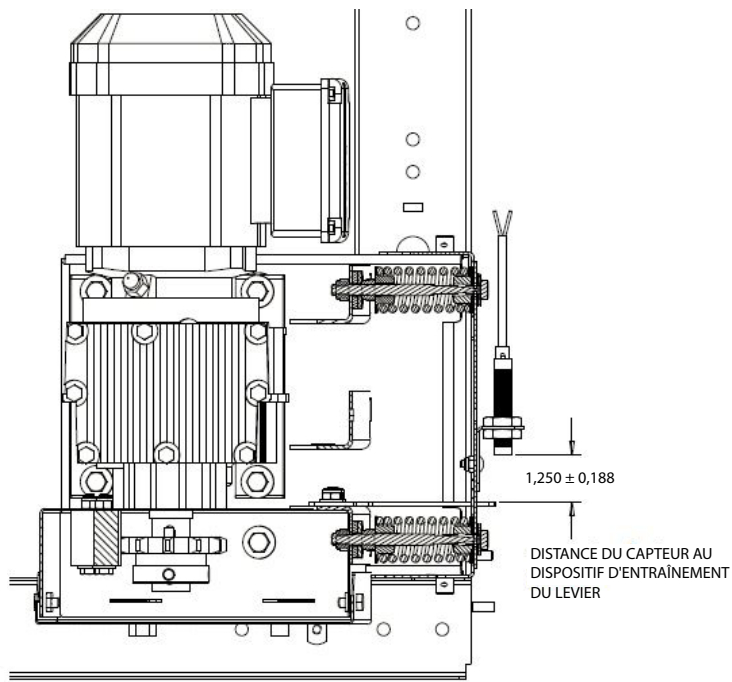


Fig. 49

6. Reportez-vous aux étapes 2 et 3, et vérifiez de nouveau l'opération du commutateur de blocage de la bande transporteuse.
7. Réinstallez les panneaux de renfort inférieurs.

DIVERS

Conduit d'aération

AVIS Ne pas grimper sur les couvercles de la chambre lorsque vous installez la ventilation.

La connexion de l'ouverture d'aération doit pouvoir être insérée dans le conduit d'aération d'un diamètre de 16 po, fournissant une émission de 750 PI³/MIN à la connexion de la machine (suivant les conditions d'aération standard).

REMARQUE : Assurez-vous que le plateau d'émission du condensat ne bloque pas l'entrée d'air.

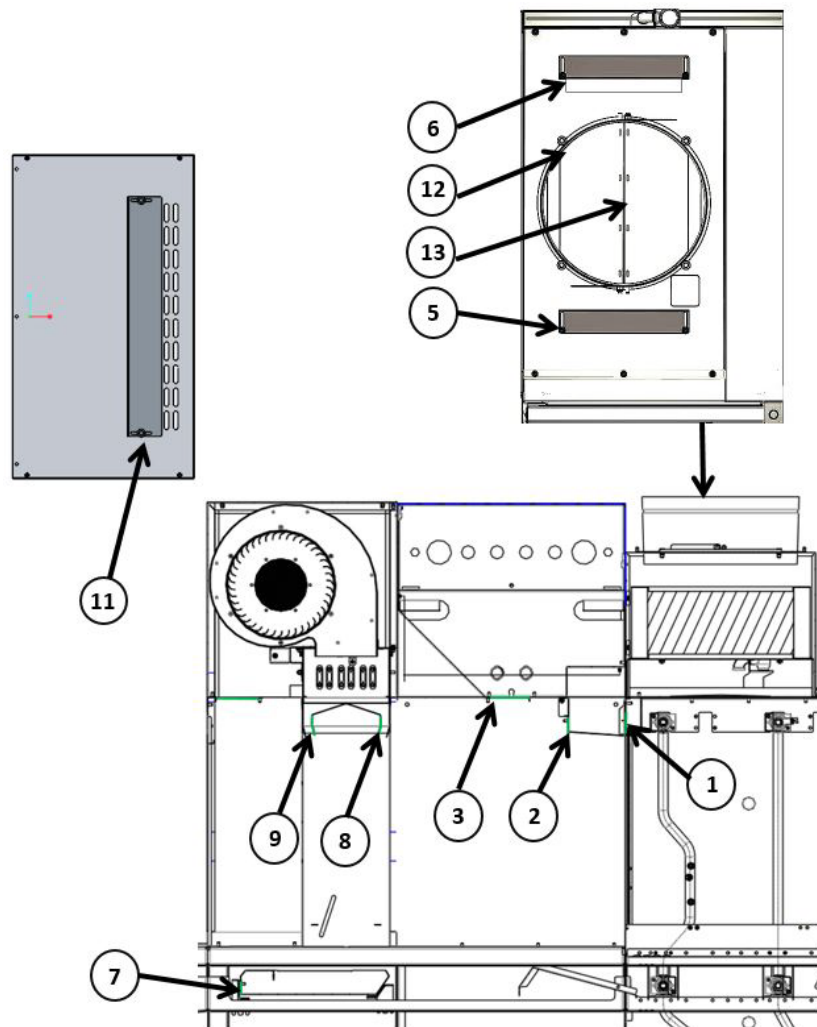
Pour tous les modèles équipés d'un dispositif de récupération d'énergie, un dispositif anti-refoulement d'air est requis à l'entrée du bâtiment pour éviter que le tuyau de récupération d'énergie ne gèle (fourni et installé par des tiers).

Pour les machines équipées de la récupération d'énergie, un clapet contre-tirage est requis au niveau de la pénétration du bâtiment (fournit et installé par une tierce partie).

Les clapets à air sont réglés à l'usine. Après avoir mis la machine en pleine opération, que le client peut maintenant laver la vaisselle et que des ajustements sont nécessaire, veuillez vous référer au manuel de service ou contacter le bureau de service de Hobart.

Réglages du déflecteur

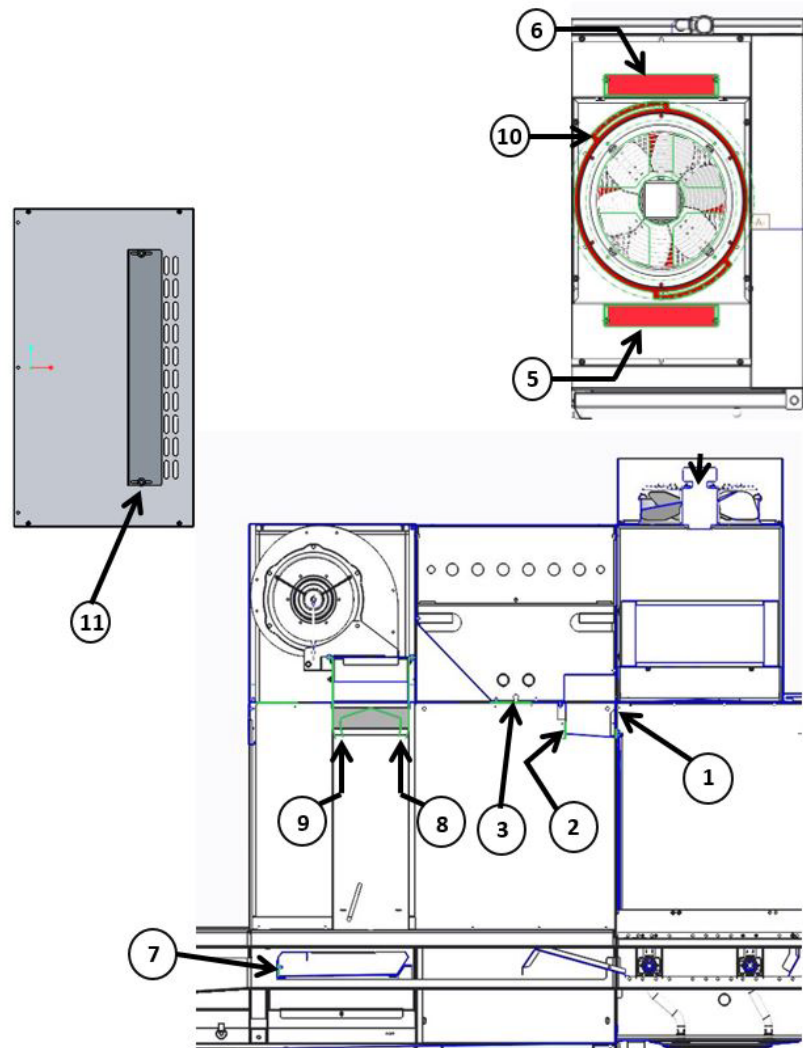
Les diagrammes et les graphiques ci-dessous, indiquent les réglages standard par défaut du déflecteur pour chacune des configurations de la machine.



FT1000e et FT1000Se SANS SÉCHOIR

N° de clapet	Réglage du clapet (Ouverture)
1	100 %
2	50 % (5/8 po)
3	s.o.
4	s.o.
5	Fermé
6	Fermé
7	s.o.
8 (entrée)	s.o.
9 (sortie)	s.o.
10	s.o.
11	s.o.
12	Ouverte de 45°
13	Ouverte de 45°

FT1000e et FT1000Se AVEC SÉCHOIR	
N° de clapet	Réglage du clapet (Ouverture)
1	100 %
2	50 % (5/8 po)
3	Fermé
4	s.o.
5	Fermé
6	Fermé
7	Fermé
8 (entrée)	12° direction déchargement
9 (sortie)	0° (Vertical)
10	s.o.
11	2 rangées ouvertes
12	Ouverte de 45°
13	Ouverte de 45°



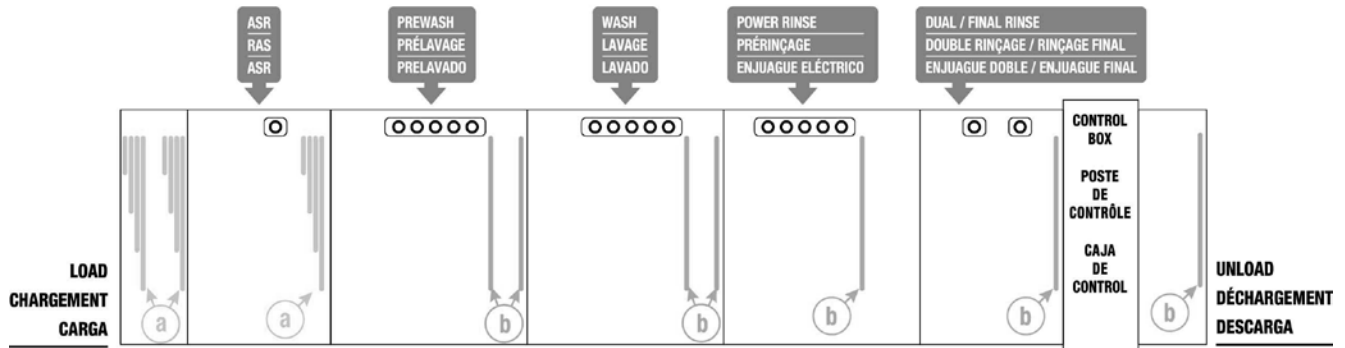
FT1000 et FT1000S ADVANSYS AVEC SÉCHOIR	
N° de clapet	Réglage du clapet (Ouverture)
1	100 %
2	25 % (3/8 po)
3	Fermé
4	s.o.
5	Fermé
6	Fermé
7	Fermé
8 (entrée)	12° direction déchargement
9 (sortie)	0° vertical
10	N° 3
11	2 rangées ouvertes
12	s.o.
13	s.o.

Configurations des rideaux

FT1000e-BAS et FT1000e-EGR (Hauteur standard) (la machine peut ne pas être équipée d'un module RAS)

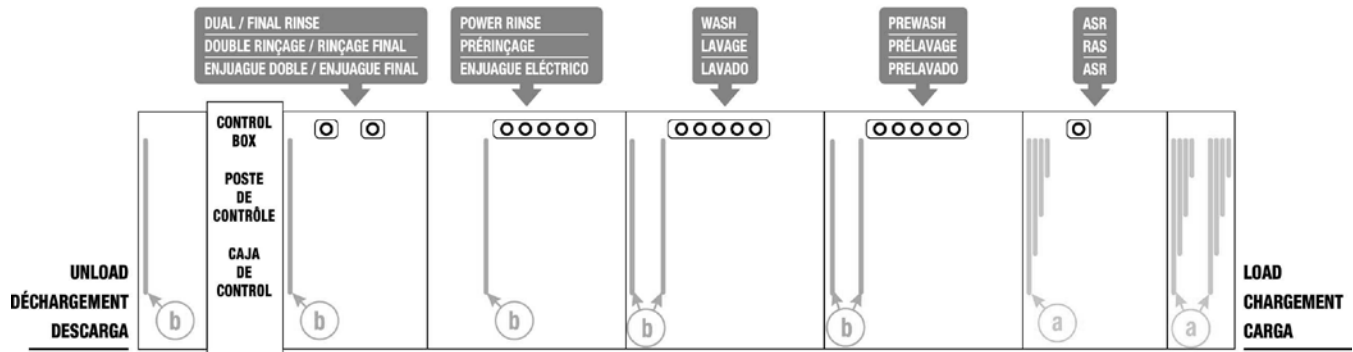
De gauche à droite

8' CENTER SECTION | ZONE CENTRALE DE 8 pi (2438 mm) | ZONA CENTRAL DE 8'



De droite à gauche

8' CENTER SECTION | ZONE CENTRALE DE 8 pi (2438 mm) | ZONA CENTRAL DE 8'



LEGEND | LÉGENDE | LEYENDA

a 4-PLY CURTAINS
RIDEAUX À 4 ÉPAISSEURS
CORTINAS DE 4 CAPAS

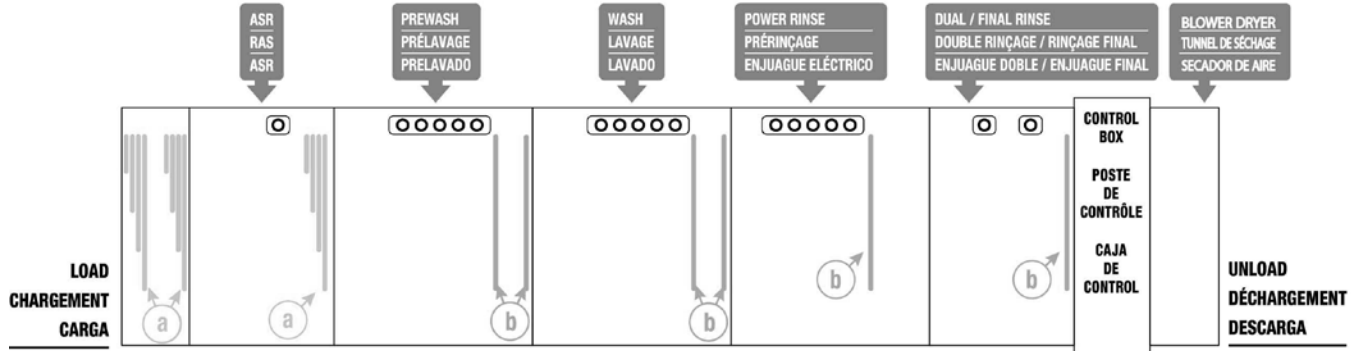
b LONG CURTAINS
RIDEAUX LONGS
CORTINAS GRANDES

c SHORT CURTAINS
RIDEAUX COURT
CORTINAS CORTAS

FT1000e-BAS et FT1000e-EGR (Avec séchoir, hauteur standard)
 (la machine peut ne pas être équipée d'un module RAS)

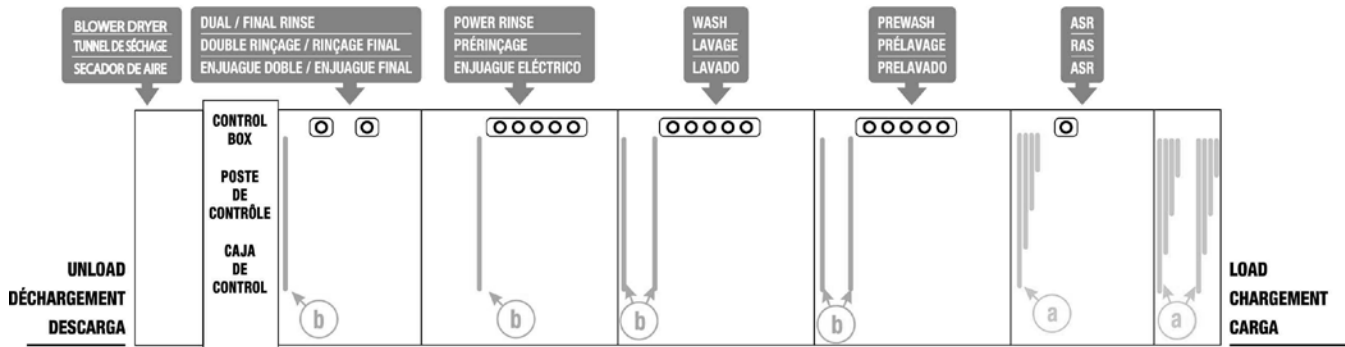
De gauche à droite

8' CENTER SECTION | ZONE CENTRALE DE 8 pi (2438 mm) | ZONA CENTRAL DE 8'



De droite à gauche

8' CENTER SECTION | ZONE CENTRALE DE 8 pi (2438 mm) | ZONA CENTRAL DE 8'



LEGEND | LÉGENDE | LEYENDA

a 4-PLY CURTAINS
 RIDEAUX À 4 ÉPAISSEURS
 CORTINAS DE 4 CAPAS

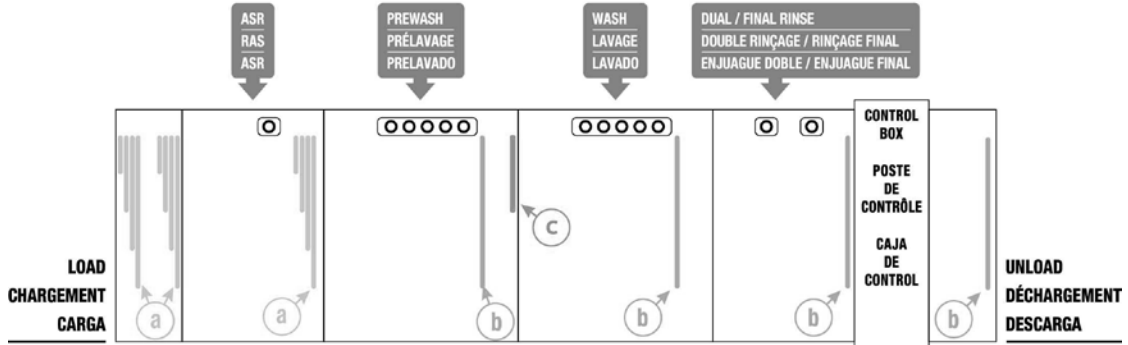
b LONG CURTAINS
 RIDEAUX LONGS
 CORTINAS GRANDES

c SHORT CURTAINS
 RIDEAUX COURT
 CORTINAS CORTAS

FT1000Se-BAS et FT1000Se-EGR (Hauteur standard)
 (la machine peut ne pas être équipée d'un module RAS)

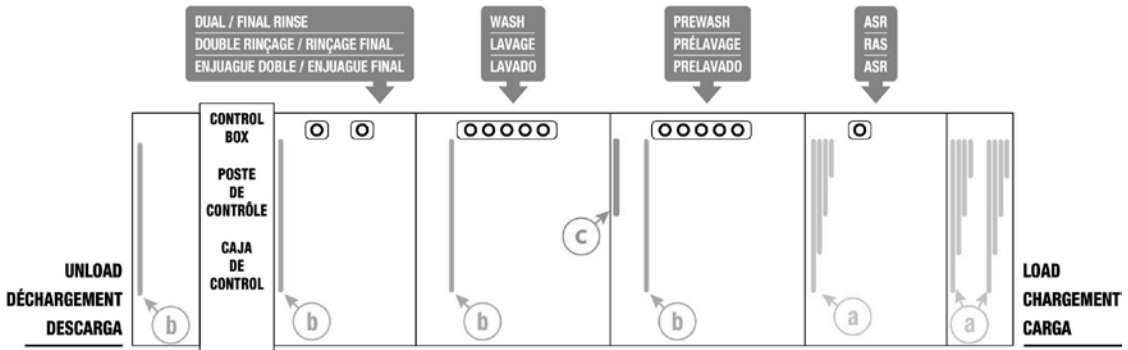
De gauche à droite

5' CENTER SECTION | ZONE CENTRALE DE 5 pi (1524 mm) | ZONA CENTRAL DE 5'



De droite à gauche

5' CENTER SECTION | ZONE CENTRALE DE 5 pi (1524 mm) | ZONA CENTRAL DE 5'



LEGEND | LÉGENDE | LEYENDA

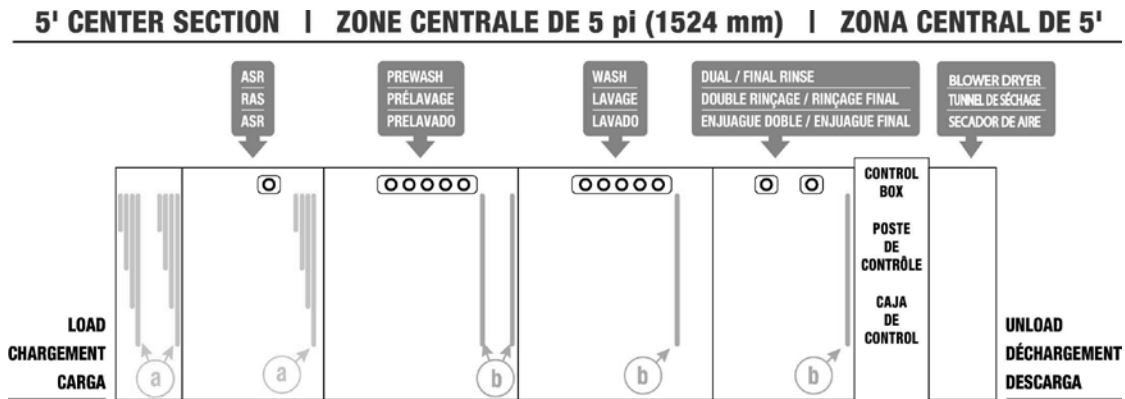
a 4-PLY CURTAINS
 RIDEAUX À 4 ÉPAISSEURS
 CORTINAS DE 4 CAPAS

b LONG CURTAINS
 RIDEAUX LONGS
 CORTINAS GRANDES

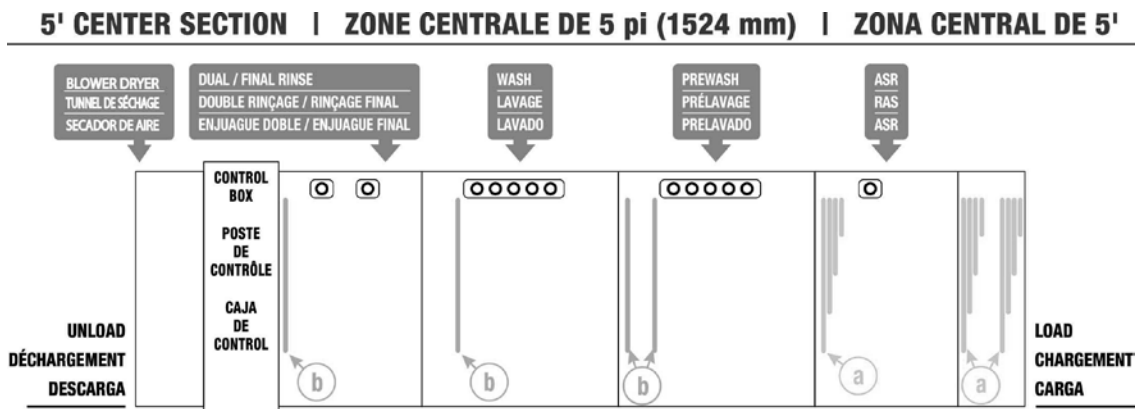
c SHORT CURTAINS
 RIDEAUX COURT
 CORTINAS CORTAS

FT1000Se-BAS et FT1000Se-EGR (Avec séchoir, hauteur standard)
 (la machine peut ne pas être équipée d'un module RAS)

De gauche à droite



De droite à gauche



LEGEND | LÉGENDE | LEYENDA

a 4-PLY CURTAINS
 RIDEAUX À 4 ÉPAISSEURS
 CORTINAS DE 4 CAPAS

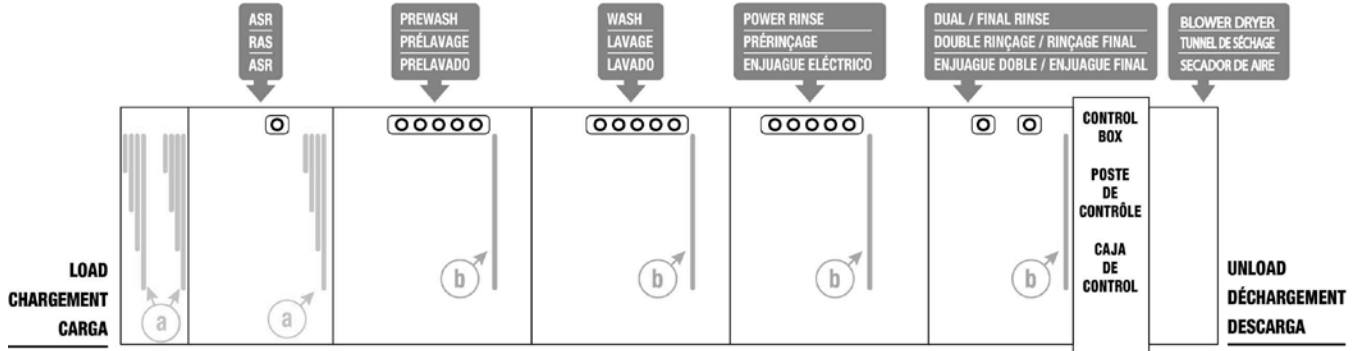
b LONG CURTAINS
 RIDEAUX LONGS
 CORTINAS GRANDES

c SHORT CURTAINS
 RIDEAUX COURT
 CORTINAS CORTAS

FT1000e-ADV

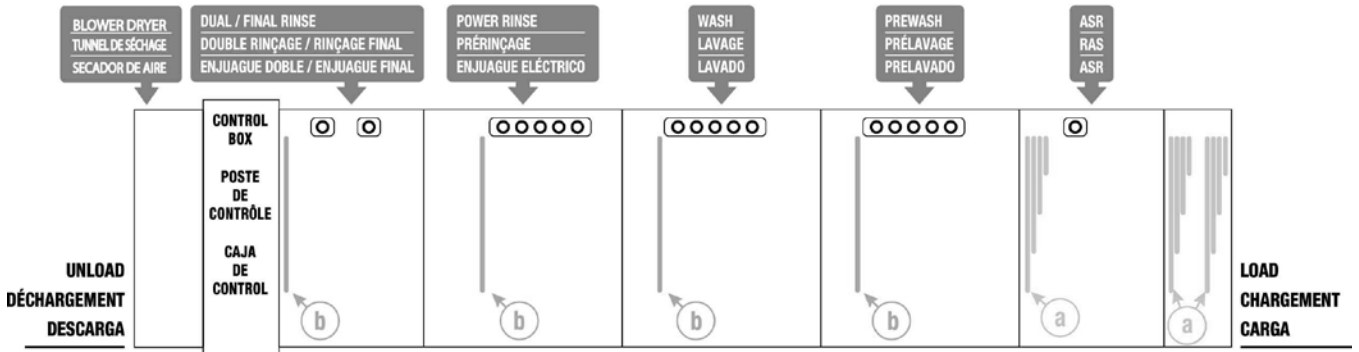
De gauche à droite

8' CENTER SECTION | ZONE CENTRALE DE 8 pi (2438 mm) | ZONA CENTRAL DE 8'



De droite à gauche

8' CENTER SECTION | ZONE CENTRALE DE 8 pi (2438 mm) | ZONA CENTRAL DE 8'



LEGEND | LÉGENDE | LEYENDA

a 4-PLY CURTAINS
RIDEAUX À 4 ÉPAISSEURS
CORTINAS DE 4 CAPAS

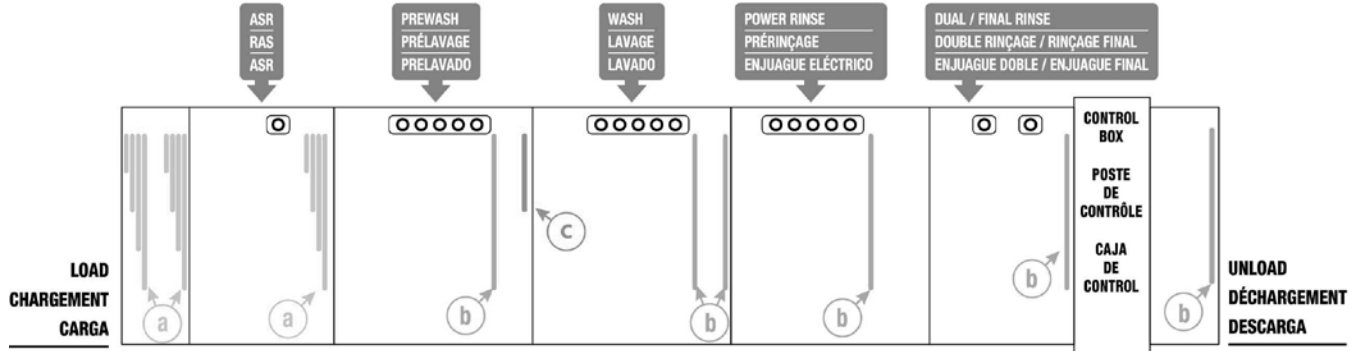
b LONG CURTAINS
RIDEAUX LONGS
CORTINAS GRANDES

c SHORT CURTAINS
RIDEAUX COURT
CORTINAS CORTAS

FT1000e-BAS et FT1000e-EGR (Plus haut que la normale)
 (la machine peut ne pas être équipée d'un module RAS)

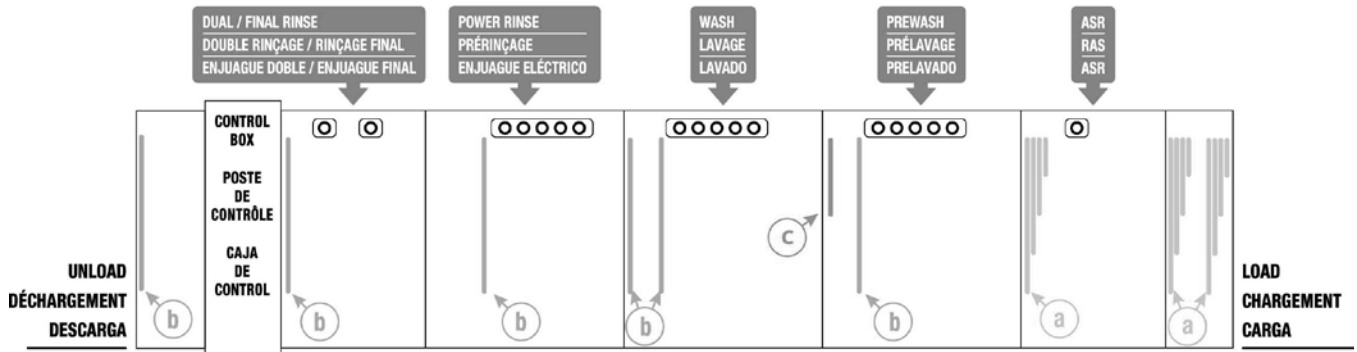
De gauche à droite

8' CENTER SECTION | ZONE CENTRALE DE 8 pi (2438 mm) | ZONA CENTRAL DE 8'



De droite à gauche

8' CENTER SECTION | ZONE CENTRALE DE 8 pi (2438 mm) | ZONA CENTRAL DE 8'



LEGEND | LÉGENDE | LEYENDA

a

4-PLY CURTAINS
 RIDEAUX À 4 ÉPAISSEURS
 CORTINAS DE 4 CAPAS

b

LONG CURTAINS
 RIDEAUX LONGS
 CORTINAS GRANDES

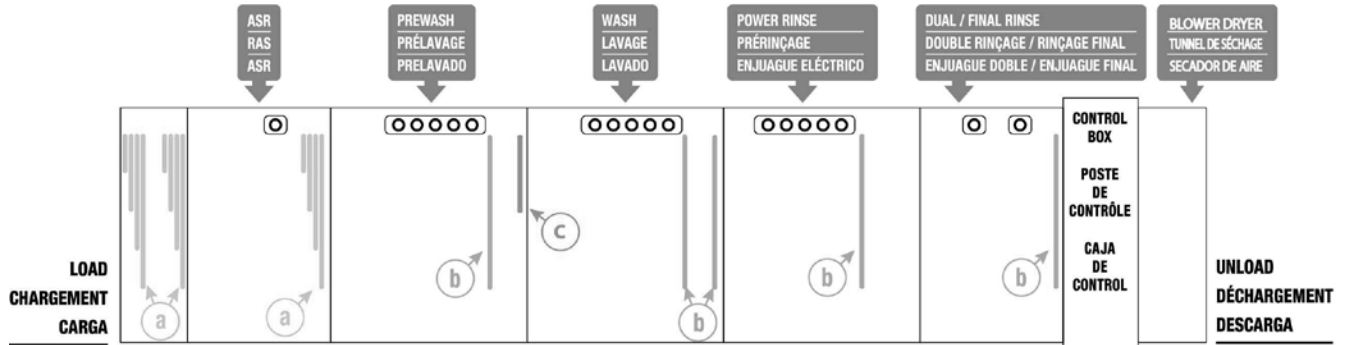
c

SHORT CURTAINS
 RIDEAUX COURT
 CORTINAS CORTAS

FT1000e-BAS et FT1000e-EGR (Avec séchoir, plus haut que la hauteur normale)
 (la machine peut ne pas être équipée d'un module RAS)

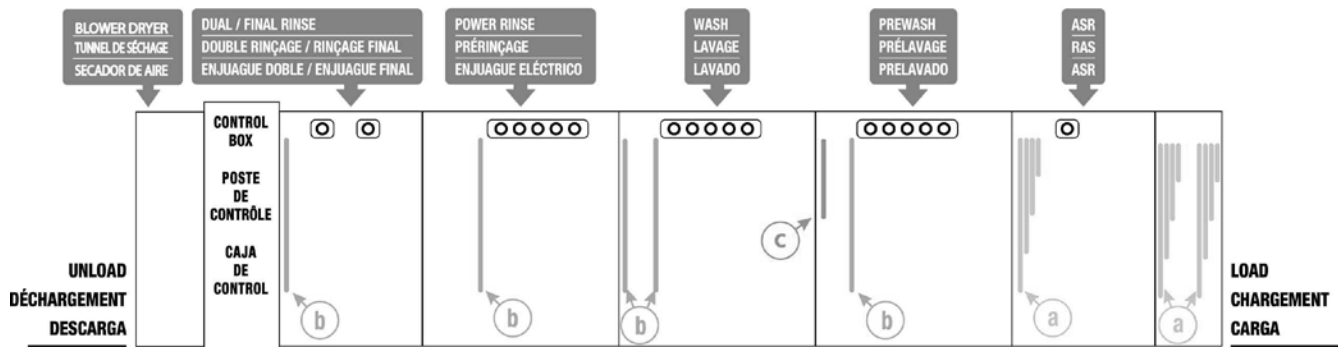
De gauche à droite

8' CENTER SECTION | ZONE CENTRALE DE 8 pi (2438 mm) | ZONA CENTRAL DE 8'



De droite à gauche

8' CENTER SECTION | ZONE CENTRALE DE 8 pi (2438 mm) | ZONA CENTRAL DE 8'



LEGEND | LÉGENDE | LEYENDA

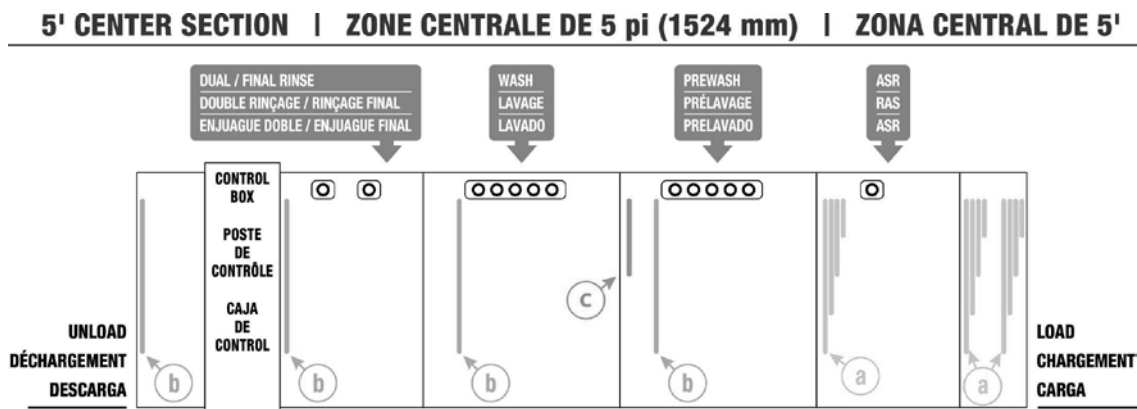
a	4-PLY CURTAINS RIDEAUX À 4 ÉPAISSEURS CORTINAS DE 4 CAPAS	b	LONG CURTAINS RIDEAUX LONGS CORTINAS GRANDES	c	SHORT CURTAINS RIDEAUX COURT CORTINAS CORTAS
----------	---	----------	--	----------	--

FT1000Se-BAS et FT1000Se-EGR (Plus haut que la normale)
 (la machine peut ne pas être équipée d'un module RAS)

De gauche à droite



De droite à gauche



LEGEND | LÉGENDE | LEYENDA

a 4-PLY CURTAINS
 RIDEAUX À 4 ÉPAISSEURS
 CORTINAS DE 4 CAPAS

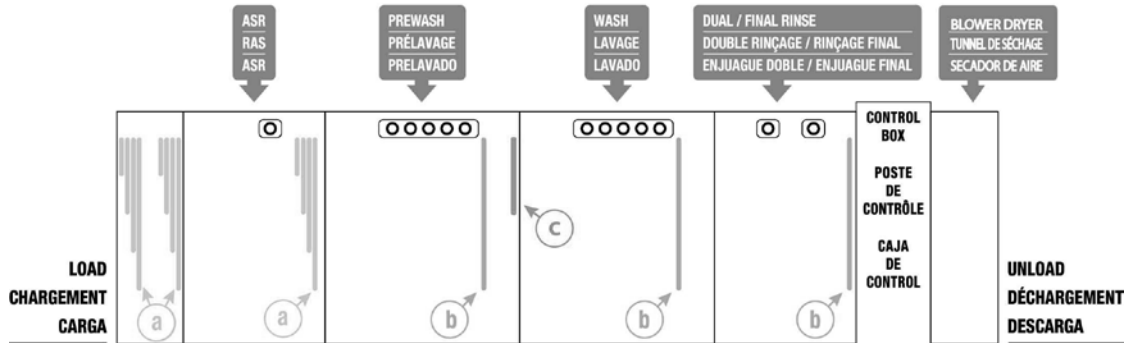
b LONG CURTAINS
 RIDEAUX LONGS
 CORTINAS GRANDES

c SHORT CURTAINS
 RIDEAUX COURT
 CORTINAS CORTAS

FT1000Se-BAS et FT1000Se-EGR (Avec séchoir, plus haut que la hauteur normale)
 (la machine peut ne pas être équipée d'un module RAS)

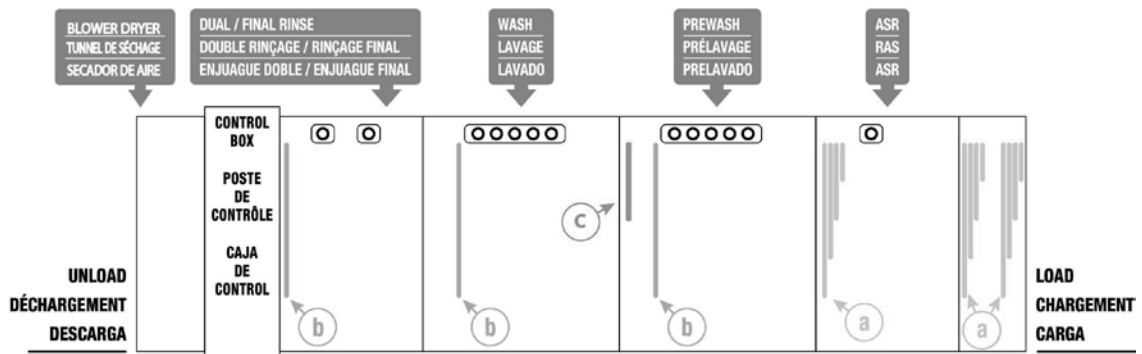
De gauche à droite

5' CENTER SECTION | ZONE CENTRALE DE 5 pi (1524 mm) | ZONA CENTRAL DE 5'



De droite à gauche

5' CENTER SECTION | ZONE CENTRALE DE 5 pi (1524 mm) | ZONA CENTRAL DE 5'



LEGEND | LÉGENDE | LEYENDA

a	4-PLY CURTAINS RIDEAUX À 4 ÉPAISSEURS CORTINAS DE 4 CAPAS	b	LONG CURTAINS RIDEAUX LONGS CORTINAS GRANDES	c	SHORT CURTAINS RIDEAUX COURT CORTINAS CORTAS
----------	---	----------	--	----------	--

Gicleurs de pré lavage, lavage et rinçage sous pression

Assurez-vous que tous les bras de lavage sont correctement installés et que les leviers des glissières de lavage sont fermés. Les languettes situés aux côtés des gicleurs s'insèrent dans les encoches des supports lorsqu'ils sont correctement installés (Fig. 50). Réglez les brides de verrouillage sur les bras inférieurs si besoin est.



Fig. 50

Gicleurs de double rinçage/rinçage final

Assurez-vous que les gicleurs du double rinçage et du rinçage final sont installés dans leur emplacement désigné (Fig. 51).



Fig. 51

Gicleurs du Retrait automatique des salissures (RAS) (Lorsqu'installé)

Assurez-vous que les gicleurs du système de retrait automatique des salissures sont installés dans leur emplacement désigné (Fig. 52).



Fig. 52

Panneaux inférieurs d'habillement (avants) et panneaux arrière

Lorsque vous installez les panneaux d'habillement inférieurs à l'avant de la machine, emboîtez chacun des panneaux côte à côte. En gardant le dessous du panneau en angle de 45° (Fig. 53), suspendez la lèvre supérieure du panneau sur les crochets situés juste en dessous des portes (Fig. 54). Faites pivoter le dessous du panneau vers le bas et poussez pour refermer les attaches au bas du panneau sous le cadre.



Fig. 53



Fig. 54

Lorsque vous installez les panneaux arrière, emboîtez les côte à côte. Suspendez la lèvre supérieure du panneau sur les crochets situés juste en dessous des portes. Faites pivoter le dessous du panneau vers le bas et poussez pour refermer les attaches au bas du panneau sous le cadre.

Calibrer le thermostat du surchauffeur électrique

REMARQUE : Cette procédure ne doit être suivie que lors de l'installation initiale.

REMARQUE : Cette procédure pourrait être entreprise durant la période d'attente de 20 minutes lors de la procédure « Ajuster l'unité de tension du convoyeur (Section de chargement) », page 91.

REMARQUE : Cette procédure ne devrait être entreprise que si la machine est opérationnelle et que le surchauffeur peut être mis en marche avec de l'eau chaude d'au moins 105 °F (40 °C) y circulant.

En ce qui concerne le surchauffeur interne de Hobart, le thermostat de commande doit être calibré selon le site du client. La calibration se fait automatiquement lorsque la machine est en fonction.

Pour démarrer la calibration, assurez-vous que le circuit du surchauffeur est réglé à la position « ON » et que le circuit 24CON est alimenté. Bloquez le système de photocellules situé à l'extrémité de charge de la machine. Démarrez la machine et permettez-lui de fonctionner pendant au moins 20 minutes.

REMARQUE : Ne pas introduire de vaisselle ou tout autre article sur le convoyeur lors de cette procédure. Ceci pourrait faire déclencher le contact de fin de course et arrêter le mouvement du convoyeur. Si le convoyeur s'arrête durant sa période de calibration de 20 minutes, la procédure devrait être reprise en entier pour assurer une bonne calibration.

Après 20 minutes, débloquent le photodétecteur. Lorsque le témoin du rinçage final s'éteint et l'écran affiche « --- » pour la température du rinçage final, éteignez le convoyeur. Éteignez la machine en appuyant sur le bouton POWER (MARCHE) du clavier. Ceci termine la calibration automatique et enregistre les données de calibration.

Moteur à engrenage du convoyeur

Le moteur à engrenage du convoyeur est expédié avec un niveau d'huile approprié dans le réducteur de vitesse.

Les lubrifiants sont disponibles chez votre bureau de service Hobart.

Réglage de l'indicateur de décalcification

Selon la dureté de l'eau et la quantité utilisée pour le rinçage finale, la machine calculera et avisera l'opérateur lorsque le temps est venu de décalcifier. Veuillez vous référer au manuel d'opération FT1000e (F-41143) ou le manuel de service FT1000e (F-45735) pour programmer les réglages de « Dureté de l'eau » et « Concentration de décalcifiant » selon les conditions de l'eau du client et de la solution décalcifiante utilisée.

SERVICE

Si cette machine demande de l'entretien, veuillez contacter le bureau de service de Hobart.

ÍNDICE

INDICACIONES PARA LA INSTALACIÓN	112
CÓMO REDUCIR LA ALTURA DEL ESPACIO LIBRE DE LA CAJA DE CONTROL DURANTE EL TRASLADO	112
CÓMO RETIRAR LA CARCASA DE RECUPERACIÓN DE ENERGÍA/VENTILACIÓN PARA UN ESPACIO REDUCIDO	114
DESEMBALAJE	115
Retiro de cada sección desde su plataforma	115
UBICACIÓN	116
Posicionamiento de la sección central	116
Nivelación de la sección central	116
ENSAMBLAJE	117
Rotación de la caja de control en 90 grados	117
Instalación de cinta de espuma sobre los rebordes de la cámara y la superficie de montaje de la caja de control	117
Fijación de la caja de control en la zona de descarga	118
Posicionamiento de las secciones anexas de carga o descarga	120
Nivelación de las secciones de carga y descarga	120
Unión de las secciones	120
Instalación de ganchos para cortinas y del difusor de aire de descarga	121
Instalación de juntas tipo silla de montar al fondo de los rebordes de la cámara	122
Instalación de tubería de flujo de retorno (desde tanques de lavado a tanques de prelavado)	123
Instalación del tubo de desagüe	123
Reubicación del desagüe principal en el extremo de carga (solo para lavavajillas equipados con sección de limpieza, eliminación de sarro y ASR)	124
Instalación de bandeja trasera de desagüe	128
Ensamblaje del secador de aire	129
Instalación del módulo Advansys	131
Conexiones de la caja de control	131
Cableado del calefactor auxiliar eléctrico	132
Interruptores de bloqueo de la puerta y del desagüe (desde tanque de prelavado a tanque de lavado)	132
CONEXIONES DE LAS CAÑERÍAS	133
Suministro de agua	133
Llenado	133
Enjuague final	133
Desagüe	134
Coladores de línea	134
Suministro de vapor (si está incluido en el equipo)	134
Calentadores del tanque de vapor – Líneas de retorno del condensado	135
Calentador de refuerzo del vapor – Línea de retorno del condensado y válvulas de escape	135
Secador de vapor (si está incluido en el equipo) – Línea de retorno del condensado	135
Conexiones de la manguera de llenado y de limpieza automática (si está incluida en el equipo)	135
CONEXIONES ELÉCTRICAS	138
Sobrecargas del motor	138
Revisión de rotación del motor (motores trifásicos)	139
Conexiones eléctricas separadas	139
Ajuste de voltaje	139
Conexión eléctrica – Dispensadores de detergente y de agente de enjuague	140
Control del extractor de aire	140
ENSAMBLAJE DE LA CINTA TRANSPORTADORA	141
Carga y unión de secciones de la cinta transportadora	141
Barra lateral de compensación de la cinta transportadora	144
Ajuste de la unidad de tensión de la cinta transportadora (sección de carga)	145
Verificación y ajuste de configuración del interruptor de atasco de cinta transportadora FT1000e	146
VARIOS	148
Ventilación	148
Parámetros del difusor de aire	148
Configuraciones de la cortina	152
Brazos de prelavado, lavado y enjuague intenso	161
Brazos de doble enjuague y de enjuague final	161
Brazos de extracción automática de suciedad (ASR), (si están incluidos en el equipo)	162
Paneles frontales con borde inferior y paneles traseros	162
Calibración del termostato del propulsor eléctrico	163
Motor de engranaje de la cinta transportadora	163
Configuración del indicador de eliminación de sarro	163
SERVICIO TÉCNICO	163

Instalación y cuidado de LAVAVAJILLAS SERIE FT1000e

GUARDE ESTAS INSTRUCCIONES

GENERAL

INDICACIONES PARA LA INSTALACIÓN

Lea todo el manual antes de instalar el lavavajillas.

1. No utilice un montacargas para trasladar o deslizar las secciones del lavavajillas.
2. No descarte las piezas sueltas. Pueden ser necesarias para la instalación o el funcionamiento.
3. Conexiones eléctricas:
 - Asegúrese de que la tensión de la línea coincida con lo indicado en la placa de datos del lavavajillas ubicada en la caja de control.
 - Verifique que las conexiones de los cables al bloque de terminales coincidan con el diagrama ubicado al interior de la puerta de la caja de control.
 - Revise que el transformador del circuito piloto esté programado para el voltaje correcto. Consulte Ajuste de voltaje en la página 139.
4. Nivele la sección central en la posición de funcionamiento. **Dicha sección debe estar nivelada de un extremo a otro y desde el frente hasta la parte posterior.** Consulte Nivelación de la sección central en la página 116.
5. Cinta transportadora: consulte la sección Ensamblaje de la cinta transportadora en la página 141. **Una vez instalada, la cinta transportadora debe avanzar en forma continua durante 15 minutos para luego revisar su alineamiento. Ajústela si es necesario y hágala funcionar por otros 15 minutos. Luego revise nuevamente el alineamiento y refuerce las tuercas de seguridad en la unidad de tensión una vez finalizado el proceso.**
6. Asegúrese de que todas las cortinas estén en su posición correcta de funcionamiento. Consulte la sección Cortinas en las páginas 152 y 160.
7. Revise todas las uniones para agua y vapor para comprobar su ajuste.
8. Con respecto a la instalación del desagüe, asegúrese de que la tubería no presente fugas.
9. Entregue el manual de instrucciones del propietario del lavavajillas.

CÓMO REDUCIR LA ALTURA DEL ESPACIO LIBRE DE LA CAJA DE CONTROL DURANTE EL TRASLADO

Este procedimiento reducirá la altura total de la caja de control en 4.5" para permitir su traslado a través de un pasillo o puerta de baja altura.

⚠ ADVERTENCIA La caja de control debe estar firmemente sostenida por al menos dos personas mientras se cambian sus pernos espárrago de montaje a las ranuras inferiores en los soportes de embalaje.

La parte posterior de la caja de control principal se fija a los dos soportes de embalaje en la sección de doble enjuague y de enjuague final por medio de cuatro pernos espárrago roscados 5/16-18, arandelas, arandelas de seguridad y tuercas. Los soportes de embalaje poseen ranuras que permiten que la caja de control descienda 4.5”(Figura1).

1. Retire las dos bisagras de embalaje desde el lado de la caja de control quitando los dos pernos 5/16-18 de cada soporte.
2. Mientras dos personas sujetan firmemente la caja de control principal, retire las cuatro tuercas 5/16-18, las arandelas de seguridad y las arandelas desde el interior de los soportes de embalaje ubicados detrás de la caja de control.
3. Con la ayuda de al menos dos personas, saque CUIDADOSAMENTE los pernos espárrago traseros de la caja de control principal desde los soportes de embalaje. Baje los pernos espárrago roscados hasta las ranuras inferiores de los soportes. Asegure nuevamente la caja de control con las mismas tuercas 5/16-18, las arandelas de seguridad y las arandelas retiradas en el paso 2.
4. Intente mover el lavavajillas a través de todos los pasillos o puertas de baja altura.
5. Invierta los pasos 3, 2 y 1 para regresar la caja de control principal a su condición original de embalaje con el propósito de lograr una instalación adecuada.

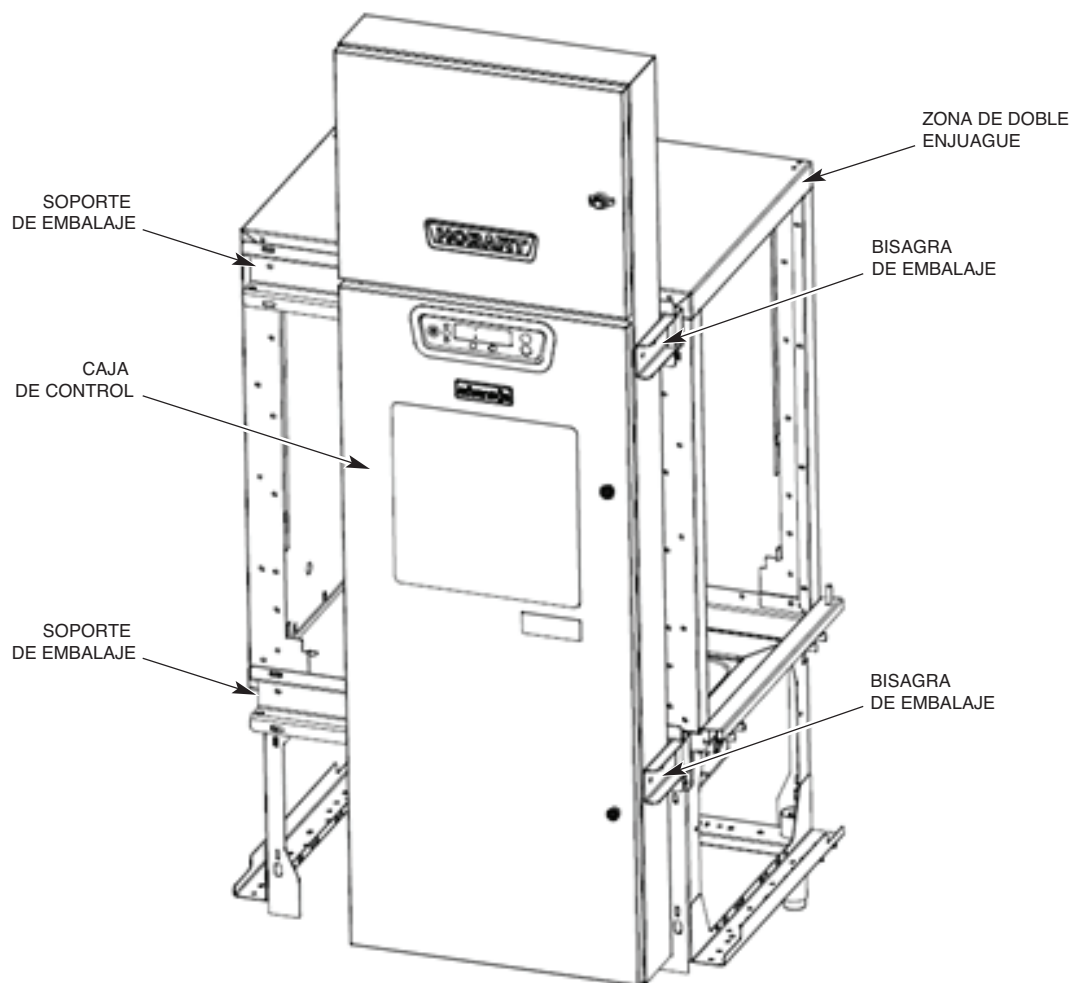


Fig. 1

CÓMO RETIRAR LA CARCASA DE RECUPERACIÓN DE ENERGÍA/VENTILACIÓN PARA UN ESPACIO REDUCIDO

1. Retire los paneles de recuperación de energía delantero y trasero aflojando las dos tuercas de la parte superior de cada panel (Figura 2, elemento A).
2. Retire la bandeja de drenaje ubicada en la base del ensamblado de recuperación de energía (Figura 2, elemento B).
3. Retire las tres contratuerzas ubicadas en las esquinas que aseguran el ensamblado de recuperación de energía a la parte superior de la cámara de enjuague doble.
4. Levante el ensamblado de recuperación de energía hasta que la base despeje la parte superior de los pernos y retírelo de la parte superior de la máquina.
5. Una vez que la sección central se traslade a la cámara de platos, reinstale el conjunto de recuperación de energía, la bandeja de drenaje y los paneles delantero y trasero.

NOTA: aplique sellador (permagum) a las arandelas cuando reinstale.

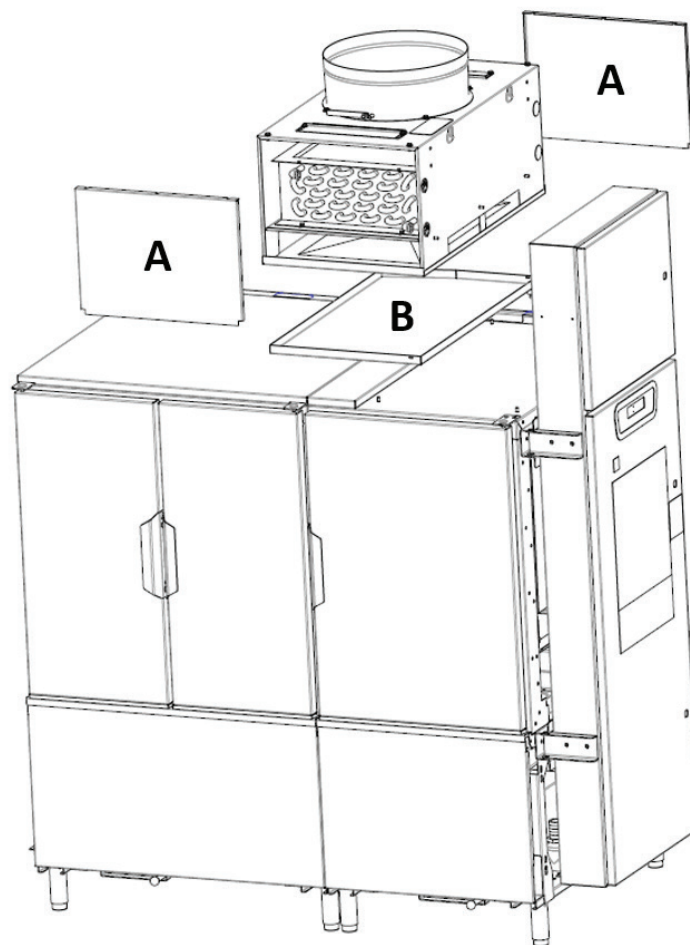


Fig. 2

DESEMBALAJE

Una vez desembalado el lavavajillas, revise de inmediato si está dañado debido al transporte. Si detecta algún daño en él, guarde el material de embalaje y comuníquese con el transportista dentro de los 5 días siguientes al despacho.

Antes de hacer la instalación, revise el sistema eléctrico para asegurarse de que cumple con las especificaciones indicadas en la placa de datos del lavavajillas ubicada en la caja de control. El diagrama eléctrico se encuentra dentro de dicha caja.

Los canastos y bandejas coladoras, las rejillas de admisión de la bomba y los brazos de lavado vienen sellados con cinta y embalados como corresponde. Retire la cinta pero mantenga las piezas en su lugar. Si alguna pieza ha sido retirada temporalmente durante la instalación, regrésela a su sitio una vez finalizada.

Antes de instalar el lavavajillas, verifique que las condiciones eléctricas, de cañerías y de tubería de escape necesarias han sido provistas en el sitio correspondiente a la instalación. Realice las mediciones para las conexiones de cañerías, eléctricas y de tubería de escape del lugar. Luego mida el lavavajillas para asegurarse de que todas las conexiones se acoplan de manera correcta. Si es necesario bajar la caja de control mientras se está trasladando, cuenta para ello con orificios ranurados en los soportes de embalaje que le permiten ajustar la altura del espacio libre. Consulte la página 112.

Retiro de cada sección desde su plataforma

ATENCIÓN No utilice un montacargas directamente sobre la estructura o el tanque del lavavajillas para trasladar o levantar sus piezas. De lo contrario puede dañarlo.

1. Por medio de un montacargas o de un cargador de palets, levante un extremo de la plataforma y desenrosque las patas de los soportes tanto como sea posible sin retirarlas. Repita el proceso para el otro extremo hasta que todas las patas se han alargado. Baje nuevamente la plataforma hasta el piso. Esto permitirá que el lavavajillas se asiente sobre sus patas de tal manera que la plataforma puede ser retirada fácilmente.
2. Retire los dos tornillos de la placa desde las ruedecillas 2x4 ubicadas justo en el lado interno de los soportes frontales y traseros en cada extremo de la plataforma.
3. Saque todos los pernos para madera desde la parte superior de los travesaños de la plataforma a lo largo del frente y de la parte posterior del lavavajillas.
4. Desde el lado opuesto en el que fueron retirados los pernos en el paso 3, saque el ensamblaje completo de la plataforma desde debajo del lavavajillas.
5. Enrosque las patas en los soportes tanto como sea posible y luego desenrosque tres giros completos. Los soportes estándar poseen pernos espárrago roscados de 3" para un ajuste máximo. Si se requiere de patas especiales con vástagos de soporte extra largos para acomodar en un piso muy inclinado, instale dichas patas allí donde coincidan con los niveles más bajos del piso antes de fijar la unidad.
6. Abra las puertas de inspección y retire todas las piezas y cajas plegadas desde el interior de cada sección del lavavajillas.
7. Retire cualquier tipo de envase, cinta, cable o soporte desde cada sección. Saque todos los paneles traseros e inferiores.

8. Verifique si la cinta de embalaje ha sido retirada desde los flotadores en cada tanque y si dichos flotadores están en condiciones de funcionar adecuadamente.

NOTA: no descarte las piezas sueltas. Pueden ser necesarias para la instalación o el funcionamiento. Verifique que todos los elementos sueltos embalados han sido recepcionados conforme a la nota de envío.

UBICACIÓN

Deje un espacio adecuado para la instalación y funcionamiento del lavavajillas. Coloque las secciones de la máquina cerca de su ubicación final. Deje un espacio para trabajar en los extremos de la sección central.

Revise las placas o etiquetas pero sin retirarlas. Retírelas una vez finalizada la instalación.

Posicionamiento de la sección central

Marque con tiza una línea en el piso para alinear el lavavajillas en toda su extensión.

Una vez que cada sección está en su posición final aproximada, determine cuál de ellas se encuentra a mayor altura respecto al piso. **El ensamblaje del lavavajillas se realiza después de nivelar la sección central a una altura tal que compense la altura de las otras secciones con respecto al piso.**

Nivelación de la sección central

Este es un aspecto importante de la instalación debido a que puede afectar el funcionamiento de la puerta y ocasionar fugas una vez que el lavavajillas ha comenzado a operar.

- Nivele la sección central en toda su extensión abriendo las puertas y colocando un nivel entre ellas a lo largo del riel que soporta al tanque (Figura 3). No revise el nivel en la parte superior de las puertas. Ajuste las patas hacia adentro o hacia afuera según se requiera para nivelar.

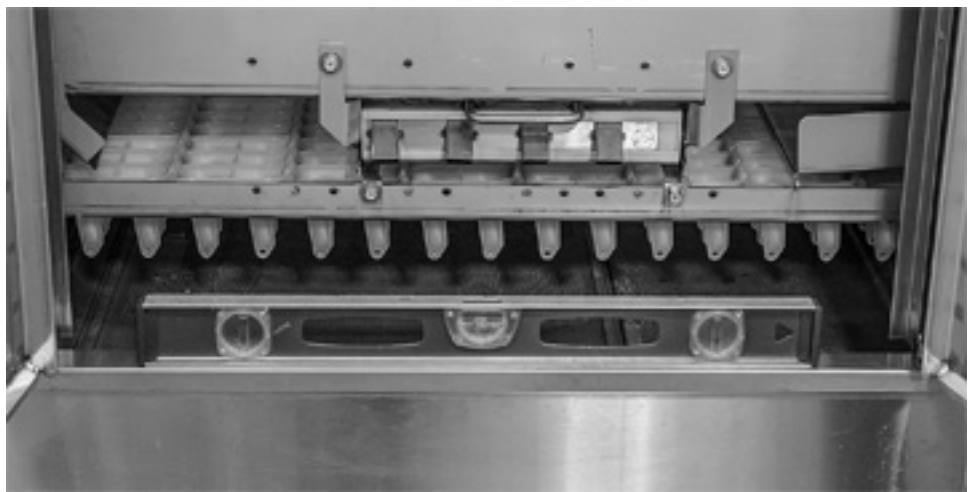


Fig. 3

- Continúe nivelando la sección central desde el frente hacia atrás eliminando los paneles superiores y colocando el nivel a lo largo de la parte superior de las cámaras en ambos extremos de dicha sección (Figura 4).



Fig. 4

ENSAMBLAJE

Rotación de la caja de control en 90 grados

La caja de control principal está embalada con las bisagras superiores e inferiores conectadas a un lado de ella. Retire las cuatro tuercas 5/16-18, las arandelas de seguridad y las arandelas desde el lado interno de los soportes de embalaje ubicados detrás de la caja de control. Utilice las bisagras (Figura 1) para girar la caja de control en 90 grados. No las retire hasta que dicha caja esté asegurada en la zona de descarga.

Extraiga la caja de control para permitir el acoplamiento de las secciones central y de descarga sin interferir con los pernos espárrago que sobresalen de la parte posterior de ella.

Instalación de cinta de espuma sobre los rebordes de la cámara y la superficie de montaje de la caja de control

Corte tiras de cinta de espuma vinílica para ajustar la parte superior, la parte inferior y los lados verticales de los rebordes de la cámara en el extremo de las secciones de carga y descarga con el objeto de sellar en forma adecuada. Aplique tiras de cinta de espuma a los bordes verticales de los extremos de la cámara, a lo largo de la parte superior de dichos extremos y una tira a lo largo de los rebordes inferiores (Figura 5). Coloque la cinta de espuma aproximadamente a 1/16"-1/8" del borde externo de la cámara. Una vez aplicada la cinta, recorte el excedente a lo largo de los bordes de la cámara.

NOTA: el trozo vertical de cinta de espuma del borde más externo del frente del lavavajillas debe plegarse 1/2" por el lado engomado con el borde de la cinta enrollado y colocado hacia el frente del lavavajillas.

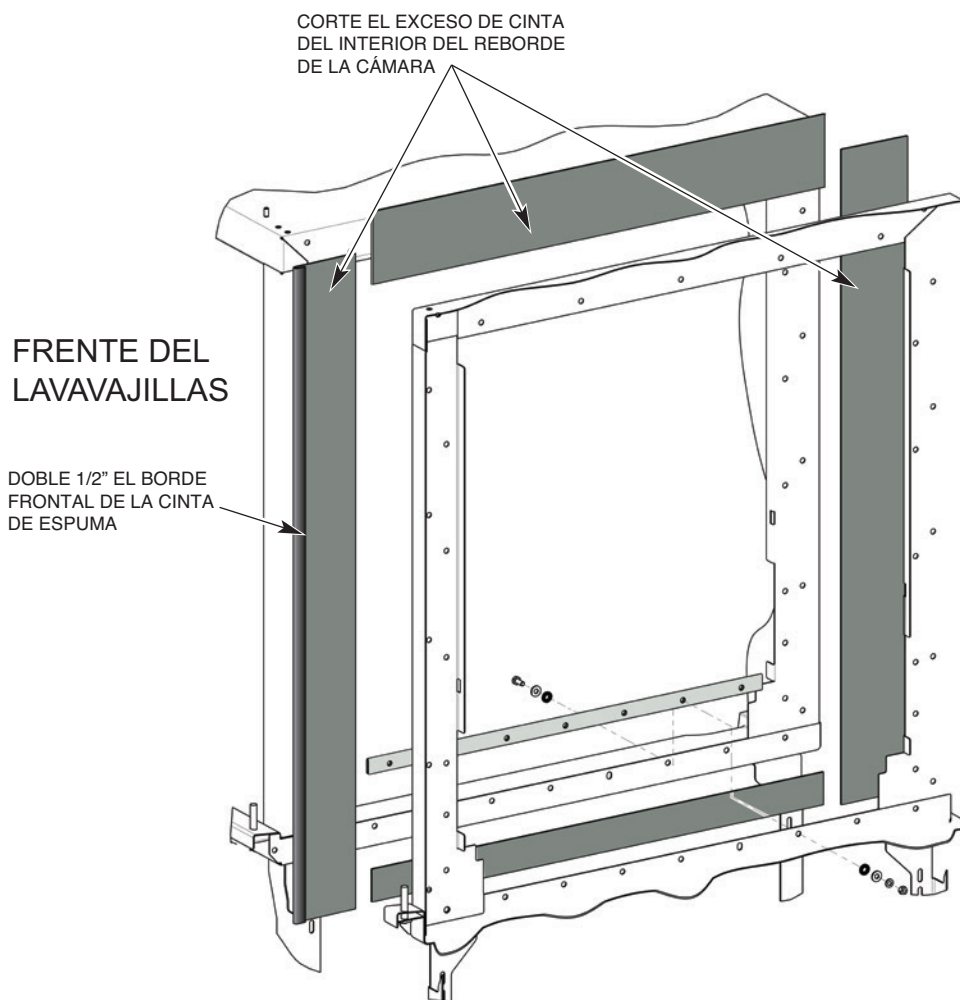


Fig. 5

Aplique cinta de espuma en la sección de descarga de la cámara donde se montará el perímetro posterior de la caja de control.

Fijación de la caja de control en la sección de descarga

1. Retire los accesorios de las patas desmontables frontales y posteriores. **NO INSTALE LOS ACCESORIOS NUEVAMENTE HASTA QUE LAS SECCIONES SE HAN UNIDO.**
2. Retire la parte del soporte frontal desmontable de la sección de descarga donde se montará la caja de control. Esto permitirá que los cables previamente instalados en la caja de control, pasen libremente a través del ensamblaje del soporte (Figura 6).

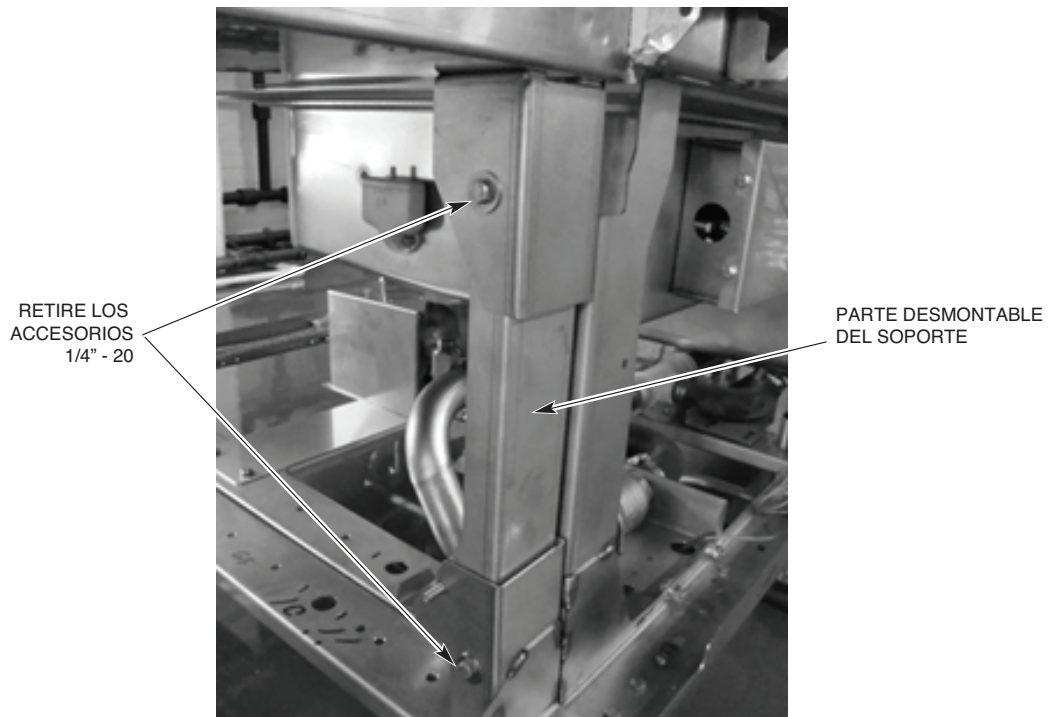


Fig. 6

3. Con la caja de control girada en 90 grados, mueva la sección de descarga varias pulgadas dentro de la sección central detrás de dicha caja.

NOTA: asegúrese de que los cables no queden pellizcados entre las secciones.

4. Maniobre la sección de descarga de tal manera que los cuatro pernos espárrago roscados 5/16-18 del reverso de la caja de control sobresalgan por los orificios de montaje en dicha sección.
5. Vuelva a instalar la parte desmontable del soporte extraída en el paso 1 (sin accesorios).
6. Asegure la caja de control a la sección de descarga utilizando cuatro tuercas 5/16-18, arandelas de seguridad y arandelas.
7. Una vez asegurada, retire las dos bisagras de embalaje del lado de la caja de control sacando los dos pernos 5/16 y los accesorios correspondientes de cada bisagra. La caja de control ahora forma parte de la sección de descarga.
8. Instale dos tornillos 5/16 de cabeza redonda en los orificios abiertos de la caja de control donde estaban las bisagras de embalaje que fueron retiradas.
9. Retire las bisagras de los soportes de embalaje sacando las clavijas y los pasadores.
10. Retire los dos soportes de embalaje desde el extremo de la sección de doble enjuague sacando los tres pernos 5/16 y los accesorios correspondientes a cada soporte.

Posicionamiento de las secciones adyacentes de carga o descarga

Mueva la sección adyacente (carga o descarga) varias pulgadas dentro del extremo disponible de la sección central. Ajuste las patas de la sección adyacente a la sección central nivelada de tal manera que los soportes del tanque estén a la misma altura. Quite el papel protector de la cinta de espuma vinílica y mueva la segunda sección a su posición final. Sea muy cuidadoso en que los componentes de acoplamiento se conecten y se ajusten en forma adecuada.

Nivelación de las secciones de carga y descarga

Los rieles de soporte del tanque deberán nivelarse a lo largo de toda la extensión del lavavajillas (Figura 3). Las secciones que se van a acoplar se nivelarán desde el frente a la parte posterior (Figura 4).

- Todos los componentes adyacentes de ambas secciones se alinean exactamente unos con otros.
- Las esquinas superiores de las secciones adyacentes están a la misma altura.

Unión de las secciones

Use pasadores ahusados para alinear los orificios en los rebordes horizontales y verticales de la cámara de las secciones acopladas. Use abrazaderas en C para mantener las secciones en posición mientras atornilla los rebordes frontales y traseros de la cámara. Proceda con cuidado para evitar que se desgarre el sello de la cinta de espuma.

ATENCIÓN No utilice un montacargas directamente sobre la estructura o el tanque del lavavajillas para trasladar o levantar sus piezas. De lo contrario puede dañarlo.

Asegure los postes de la esquina de la estructura vertical en las dos ubicaciones usando los accesorios adecuados (Figura 7).

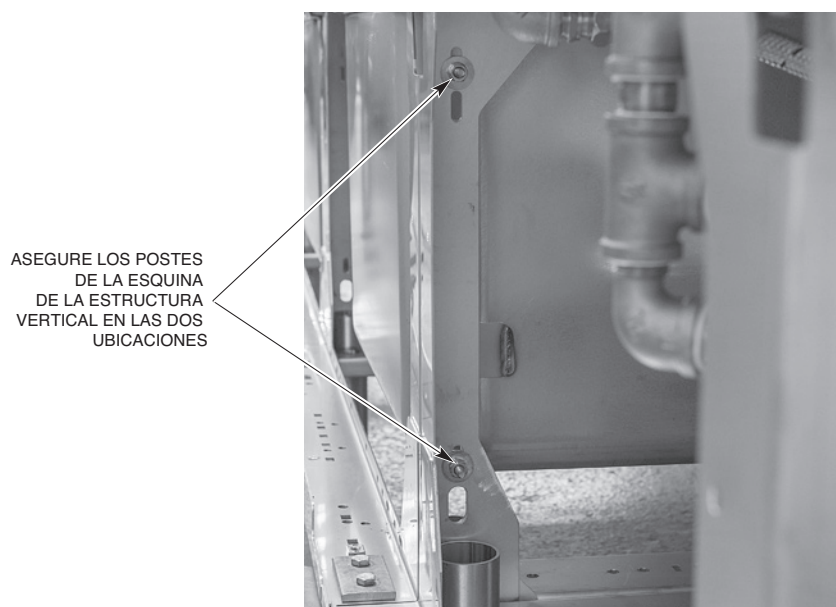


Fig. 7

Instalación de ganchos de las cortinas y del difusor de aire de descarga

En la junta de la sección de prelavado/lavado, instale los dos soportes para cortinas en el lado de prelavado de la junta en las esquinas superior delantera y trasera utilizando el reborde adecuado de la cámara (Figura 8).

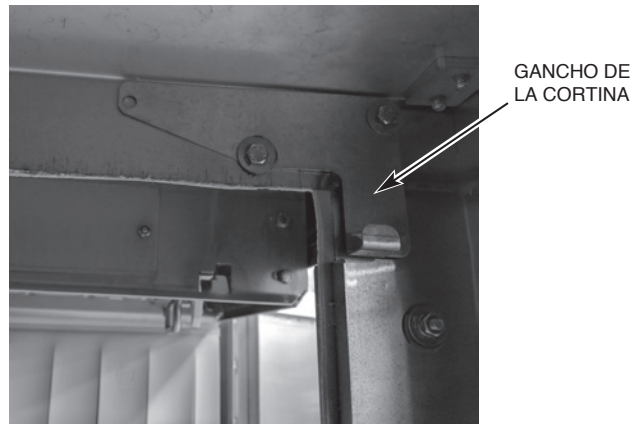


Fig. 8

Instale el difusor de aire y dos ganchos para cortinas en la unión de la sección de doble enjuague con la sección de descarga. Los ganchos de la cortina se montan sobre los pernos espárrago del difusor de aire donde sobresalen a través de los orificios superiores frontales y posteriores de la cámara de la esquina en el lado del enjuague final de la parte superior de la cámara donde las secciones se unen usando los cierres adecuados (Figura 9). El difusor de aire de descarga también cuenta con tres orificios de montaje que deben calzar con los tres pernos espárrago que sobresalen hacia abajo desde la parte superior de la cámara de descarga. Asegure con tuercas 1/4-20, arandelas de seguridad y arandelas (Figura 10).



Fig. 9

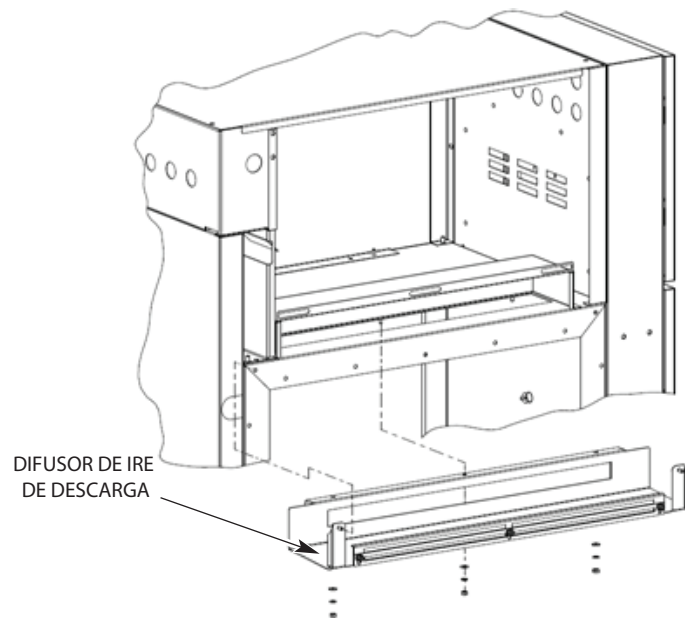


Fig. 10

ENSAMBLAJE DEL REBORDE DE LA CÁMARA Y DEL PERNO EN CADA UNIÓN DE SECCIÓN

Descripción		Tamaño del perno	Secuencia de ensamblaje	Instrucciones
Perno corto: usar solo donde no se requiera pernos largos o medianos	22	1/4-20 x 5/8"	[Perno, arandela] [Arandela, arandela de seguridad, tuerca]	Use Permagum en el lado interno de las arandelas a ambos lados de los rebordes de la cámara.
Perno mediano: usar para ganchos de cortina y en la esquina superior y e inferior de las cámaras	9	1/4-20 x 3/4"	[Perno, arandela] [Arandelas, arandela de seguridad, tuerca]	Use Permagum en el lado interno de las arandelas en los ganchos de la cortina y de los rebordes de la cámara.
Perno largo: usar juntas tipo silla de montar, en interfaz riel/cámara y en postes verticales de la esquina de la estructura	15	1/4-20 x 1"	[Perno, arandela] [Arandela, arandela de seguridad, tuerca]	Use Permagum en el lado interno de las arandelas a ambos lados de las juntas tipo silla de montar y en los rebordes de la cámara.

Instalación de juntas tipo silla de montar al fondo de los rebordes de la cámara

1. Selle los rebordes del extremo del tanque donde se unen las secciones usando una junta tipo silla de montar.
2. Coloque esta junta tipo silla de montar sobre los rebordes del extremo del tanque y asegúrese de que todos los orificios para pernos están alineados. Si es necesario utilice pasadores ahusados (o punzones) para alinear los orificios.
3. Si el lavavajillas está equipado con ensamblaje estándar para cinta transportadora, instale difusores junto con las juntas tipo silla de montar usando los mismos accesorios de montaje. Asegúrese de que estos difusores se ajusten en la posición inferior para garantizar que no interfieran con los soportes aéreos (Figura 11).

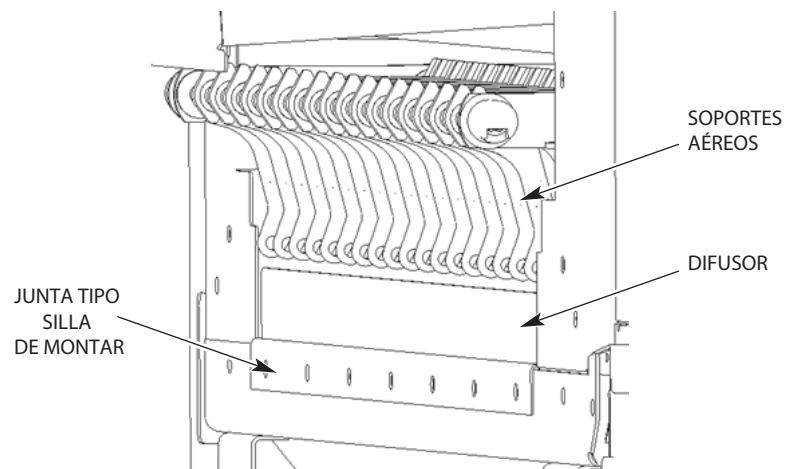


Fig. 11

4. Use Permagum en el lado interno de las arandelas de ambos lados para sellar de manera adecuada (Figura 12). Puede ser necesario utilizar una abrazadera en C en la junta tipo silla de montar para lograr que los accesorios cumplan su objetivo. Fije la junta tipo silla de montar a los rebordes inferiores del tanque con los siete pernos largos, las arandelas, las arandelas de seguridad y las tuercas suministradas.

NOTA: no aplique cinta de espuma o Permagum dentro de la junta tipo silla de montar o sobre superficies cubiertas por ella.

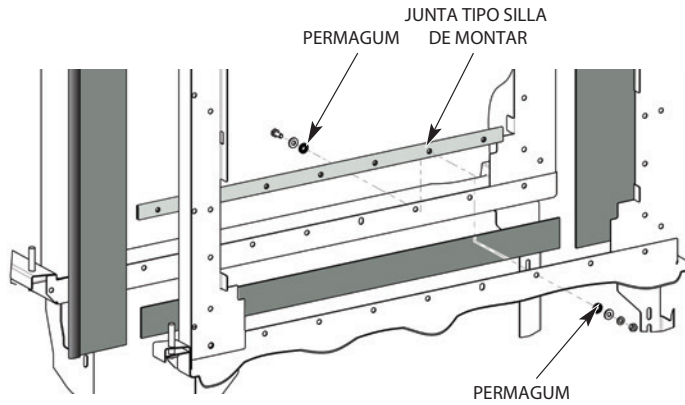


Fig. 12

Instalación de tubería de flujo de retorno (desde tanques de lavado a tanques de prelavado)

Instale la tubería de flujo de retorno entre el tanque de lavado y el tanque de prelavado (Figura 13).

Asegúrese de que el tubo esté bien lubricado con aceite para O-ring (no está incluido).

Verifique que los O-ring se encuentren en el lugar adecuado en el acoplamiento: dos al interior y uno sobre el extremo del reborde.



Fig. 13

Instalación del tubo de desagüe

Instale el tubo de desagüe entre las secciones adyacentes del tanque de la siguiente forma:

1. Lubrique los conectores T moldeados para desagüe en cada extremo del tubo usando aceite para O-ring (no está incluido). No utilice lubricantes de origen animal, vegetal ni de petróleo.
2. Con un movimiento giratorio, deslice el tubo dentro de uno de los conectores T moldeados para desagüe.
3. Levante el otro extremo alineándolo con los conectores T y con un movimiento giratorio deslice el tubo hasta que golpee el tope en la T (aproximadamente 1-1/4" desde la cara de la T).
4. Deslice las abrazaderas de la manguera a los extremos del tubo de drenaje y apriételas para mantener la posición.

Reubicación del desagüe principal en el extremo de carga (solo para lavavajillas equipados con sección de limpieza, eliminación de sarro y ASR)

NOTA: si el lavavajillas está equipado con limpieza y eliminación de sarro automáticas pero no con la sección ASR, entonces el ensamblaje del desagüe principal debe ubicarse en el extremo de descarga. De acuerdo a esta configuración, si el desagüe del lugar coincide con el extremo de carga del lavavajillas, se requerirá de cañerías que conecten el extremo de descarga hacia el desagüe en el terreno.

Si la instalación requiere que el lavavajillas se drene hacia el extremo de carga, el ensamblaje del desagüe principal deberá reubicarse de la siguiente forma:

1. Quite el soporte de sujeción de la manija del desagüe retirando los dos pernos y los accesorios correspondientes ubicados en el nivel más bajo de los perfiles de la estructura. El soporte de sujeción se puede descartar, pero debe guardar los accesorios retirados para reensamblar en el extremo de carga.
2. Retire la manija soldada del desagüe sacando la tuerca M12 de 1,5 mm ubicada en la parte inferior del ensamblaje del desagüe. Saque el retén magnético y el imán de la manija soldada del desagüe y guárdelos junto con la tuerca y los accesorios correspondientes para reensamblar en el extremo de carga. En este momento se puede descartar la manija soldada del desagüe.
3. Retire el conector D.I.N desde el solenoide del desagüe principal y saque el interruptor de bloqueo del desagüe desde el soporte asegurándolo a la plataforma de descarga del desagüe principal. **Guarde todo los accesorios para utilizarlos en la plataforma del extremo de carga.**
4. Quite los tres pernos que aseguran la plataforma de ensamblaje del desagüe principal desde el fondo de los perfiles de la estructura.
5. Deslice la plataforma y el ensamblaje del desagüe principal hacia el extremo de descarga de la unidad desacoplando este ensamblaje desde el tubo de desagüe que se extiende desde el tanque de doble enjuague y luego retire la plataforma y el ensamblaje del desagüe.

Para un lavavajillas que funciona de izquierda a derecha (pasos 6-8):

6. Retire la pieza enroscada hacia abajo (00-949948) desde la T de desagüe en el extremo de descarga y reemplácela por un tapón de tubo NPT suministrado junto con el lavavajillas. La pieza 00-949948 puede ser descartada. Ver Figura 14.

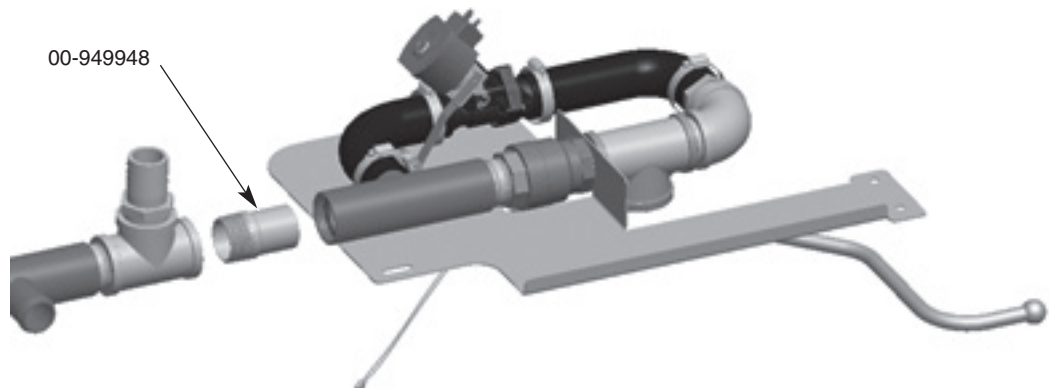


Fig. 14

7. Retire la tapa, la abrazadera y la manguera de goma conectada a la T de desagüe que se ubica en el extremo de carga de la unidad.

8. Intercambie la T con reborde del desagüe en el extremo de carga por una T sin reborde ubicada bajo la sección de lavado.

Para un lavavajillas que funciona de derecha a izquierda (pasos 9-11):

9. Retire el tubo (00-948761-00018) que conecta el desagüe principal con la T de desagüe más cercana. La pieza 00-948761-00018 se puede descartar. Ver Figura 15.

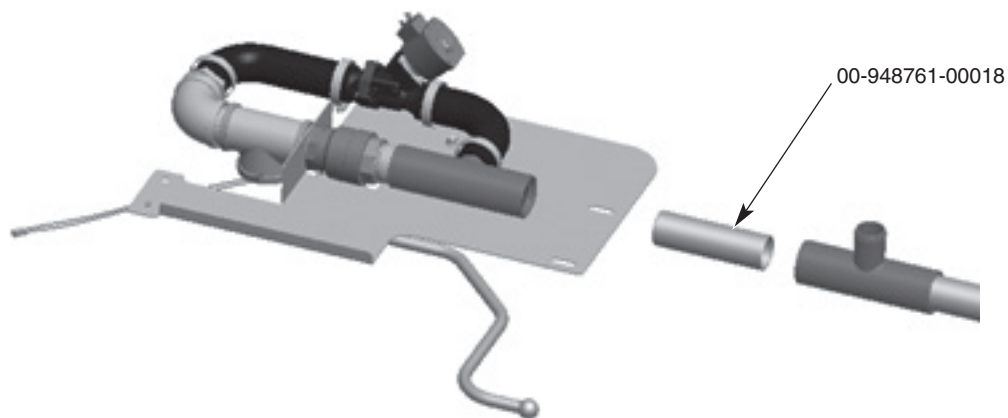


Fig. 15

10. Retire la manguera de goma conectada a la T del desagüe que se ubica en el extremo de carga de la unidad.
11. Intercambie la T de desagüe del extremo de carga, la tapa y la abrazadera por la T del desagüe sin reborde ubicada en el extremo de descarga.
12. Saque los dos pernos y los accesorios correspondientes que aseguran el solenoide al soporte. **Guarde estos soportes y todos los accesorios para utilizarlos en la plataforma del extremo de carga.**
13. Afloje las abrazaderas que aseguran las dos mangueras de goma a la T plástica de desagüe y al conector dentado y retire las mangueras.
14. Desconecte el interruptor de bloqueo del desagüe desde el bloque de terminales 8TB-10 y 8TB-11 en la caja de control.
15. Retire el ensamblaje del desagüe desde la plataforma desenroscando la T metálica de la boquilla del tubo que conecta dicha T con la válvula manual.
16. Retire el soporte del interruptor de bloqueo del desagüe ubicado en la parte inferior de la plataforma y el soporte que asegura el solenoide de desagüe. **Guarde estos soportes y todos los accesorios para utilizarlos en la plataforma del extremo de carga.**
17. Deseche la plataforma de descarga.
18. Fije el imán y el retén del imán a la manija soldada del desagüe principal en el extremo de carga con los accesorios retirados en el paso 2. **Asegúrese de que el punto blanco esté hacia abajo en las superficies magnéticas.** Ver Figura 16.



Fig. 16

19. Fije el soporte del interruptor de bloqueo del desagüe, retirado en el paso 16, al lado inferior de la plataforma de ensamblaje del desagüe principal en el extremo de carga embalada junto con el lavavajillas.

20. Ensamble la cañería del desagüe principal, retirada en el paso 15, a la plataforma del extremo de carga. **Verifique que el codo metálico se oriente hacia la parte posterior de la unidad.**
21. Afloje las abrazaderas que aseguran las mangueras de goma al solenoide de desagüe y gírelo en 180 grados. Apriete nuevamente las abrazaderas.
22. Fije las mangueras de goma a la T plástica del desagüe y a la conexión dentada en el ensamblaje del desagüe principal y apriete las abrazaderas. **Verifique que el ensamblaje coincida correctamente con el diagrama de dirección de la unidad (Figura 17) y que el solenoide esté instalado en forma adecuada para orientar el flujo de agua de desagüe.**

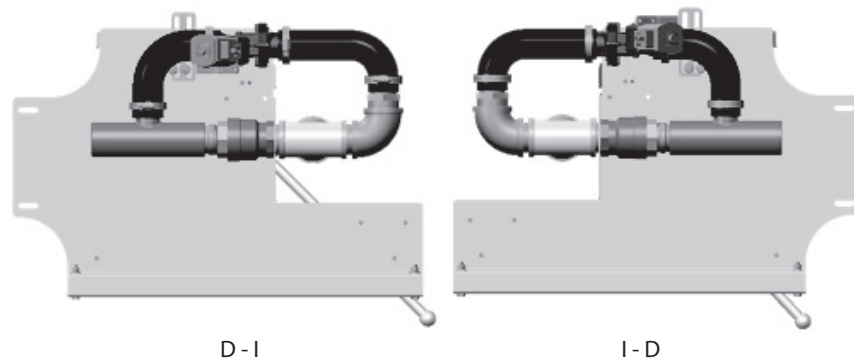
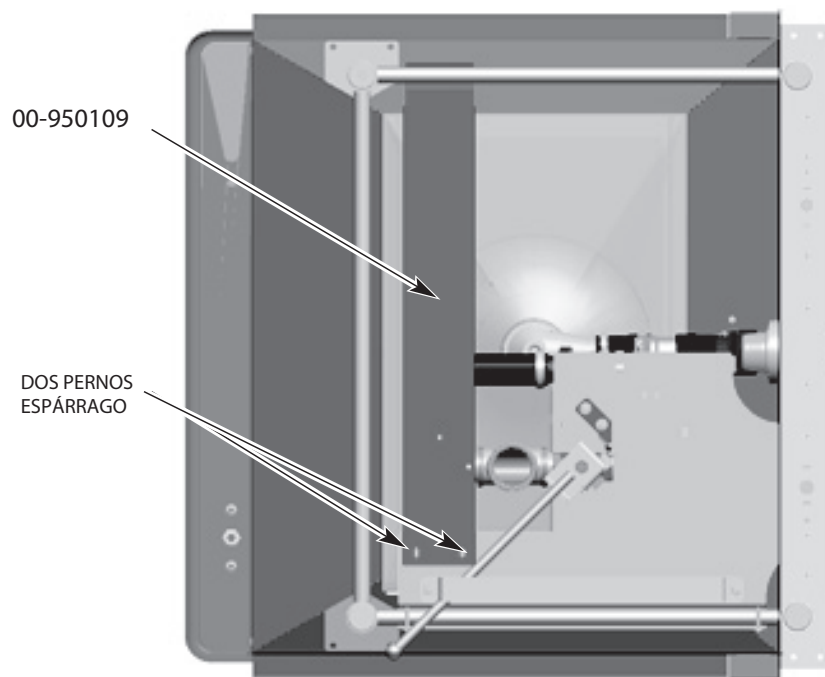


Fig. 17

23. Fije el soporte del solenoide del desagüe, retirado en el paso 16, a la plataforma y al solenoide.
24. Retire ambos pernos, las tuercas y las arandelas colocadas en la parte frontal de la plataforma de carga.
25. Inserte el tubo de drenaje embalado junto con el lavavajillas (00-948761-00007) dentro de la T plástica en el ensamblaje del desagüe principal.
26. Fije el ensamblaje del drenaje principal y la plataforma al extremo de carga del lavavajillas deslizando la plataforma de tal manera que el tubo de desagüe se introduzca en la T plástica. **Asegúrese de que la plataforma descansa sobre la parte superior del perfil de la estructura bajo la T y que el borde frontal de la plataforma se engancha sobre la parte superior del soporte del riel frontal. Coloque nuevamente los dos pernos, las arandelas y las tuercas, retiradas en el paso 24, en la parte frontal de la plataforma.**
27. Asegure la plataforma a los perfiles de la estructura con los accesorios retirados en el paso 4.
28. Fije la manija soldada de drenaje al fondo del ensamblaje del desagüe principal con la tuerca retirada en el paso 2. **Asegúrese de que la manija queda situada sobre la abrazadera de sujeción.**
29. Retire ambos pernos, las tuercas y las arandelas fijas al soporte de sujeción de la carga embalada junto con el lavavajillas (00-950109). Ver Figura 18.



Vista hacia el fondo (Lavavajillas D-I)

Fig. 18

30. Fije el soporte de sujeción a la plataforma del desagüe principal de carga usando dos pernos espárrago ubicados en la parte inferior de dicha plataforma. **Asegúrese de que la abrazadera envuelva la parte superior del soporte del riel trasero.**
31. Fije nuevamente los dos pernos, las arandelas y las tuercas al soporte retirado en el paso 29.
32. Dirija otra vez el cable del solenoide de desagüe desde el extremo de descarga hacia el extremo de carga. Empalme el conector D.I.N con el solenoide de desagüe.
33. Conecte el nuevo cable del interruptor de bloqueo embalado junto con el lavavajillas (949844-40) al bloque de terminales 8TB-10 y 8TB-11 en la caja de control. Dirija el cable hacia el extremo de carga y enchufe el interruptor de bloqueo de desagüe usando los conectores eléctricos suministrados.
34. Asegúrese de que la manija de la válvula manual del desagüe principal y el interruptor de bloqueo se abren y se cierran adecuadamente.
35. Coloque la etiqueta Desagüe Principal en el panel inferior ubicado sobre el ensamblaje manual del desagüe principal.

Instalación de bandeja trasera de desagüe

Antes de ensamblar la cinta transportadora, instale las dos bandejas traseras de desagüe, una entre el tanque de prelavado y el tanque de lavado y la otra entre el tanque de doble enjuague y la sección de descarga.

Instale la bandeja y el asiento entre el tanque de prelavado y el de lavado en el deflector situado en la sección de lavado, asegurándose de que la bandeja se incline hacia el tanque de prelavado (Figura 19). Asegure la bandeja y el asiento al deflector usando cuatro pernos $\frac{1}{4}$ -20 x $\frac{3}{4}$ " y contratuercas. Los pernos de la parte inferior de la bandeja deben descansar en el borde superior del riel inferior (Figura 20).

NOTA: para instalar la bandeja y el asiento en el deflector, desatornille el deflector del riel para permitir el espacio libre para la instalación del asiento.

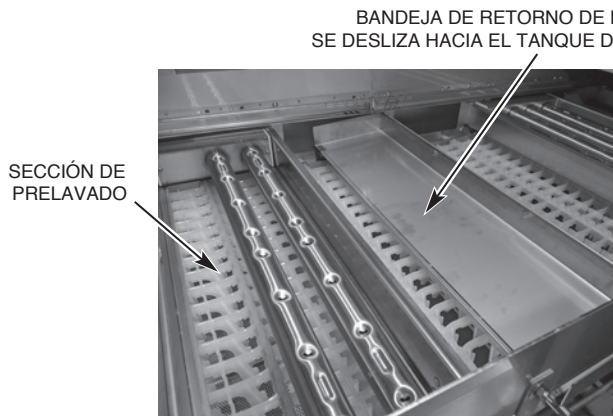


Fig. 19

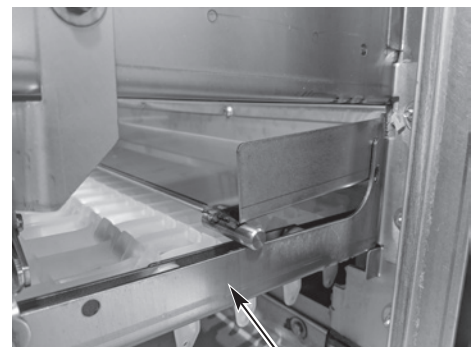


Fig. 20

Instale la segunda bandeja asegurándose de que se deslice hacia el tanque de doble enjuague (Figura 19). Asegure la bandeja a los rieles inferiores delantero y trasero usando dos pernos $\frac{1}{4}$ -20 x $\frac{5}{8}$ " y las contratuercas. Los pernos de la parte inferior de la bandeja deben descansar en el borde superior del riel inferior (Figura 22).

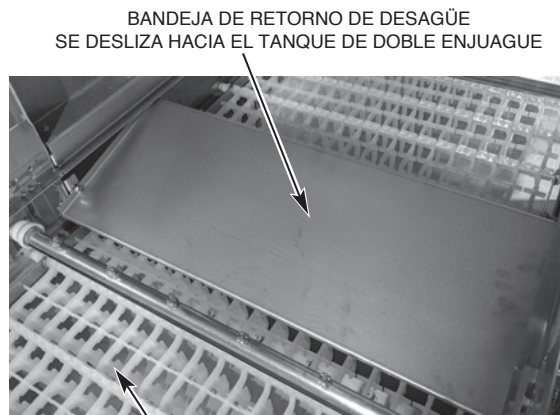


Fig. 21



Fig. 22

Ensamblaje del secador de aire

ATENCIÓN Cuando instale el ensamblado del ventilador del secador de aire, no se pare, no se sienta ni se apoye sobre el deflector de aire o los soportes del deflector de aire, ya que el rendimiento del secador de aire podría verse comprometido.

1. Retire los paneles que cubren el secador de aire: frontal, trasero y superior (Figura 23).

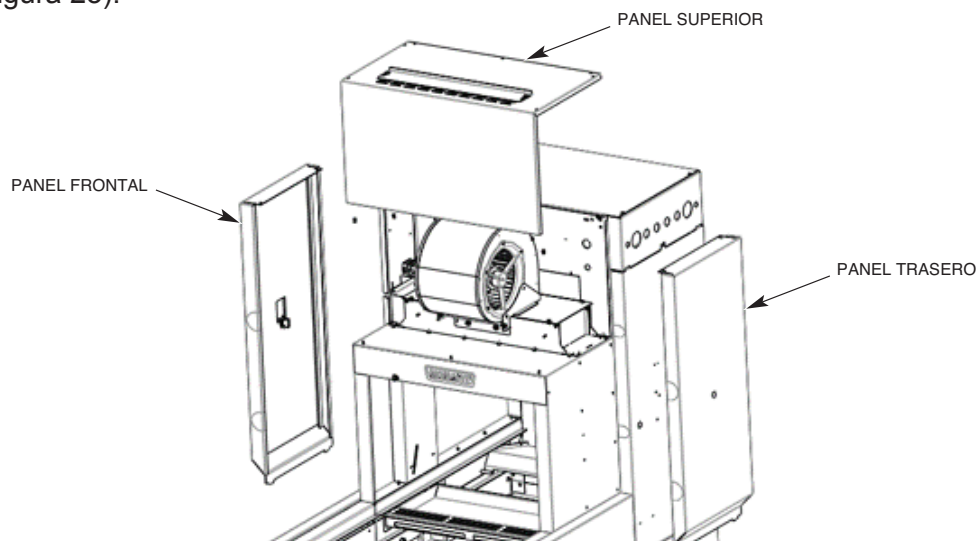


Fig. 23

2. Instale el ensamblado del soplador en la parte superior de la carcasa del calentador bajando el conjunto del soplador en un ángulo de modo que las lengüetas delanteras se enganchen debajo de las muescas de la placa superior de la carcasa del calentador (Figuras 24 y 25).

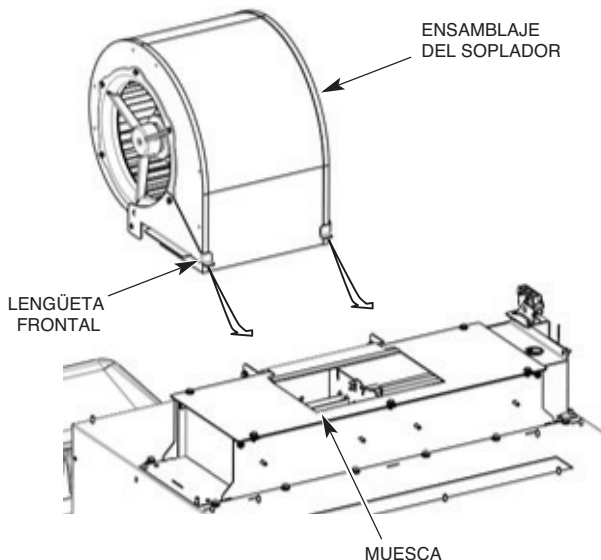


Fig. 24

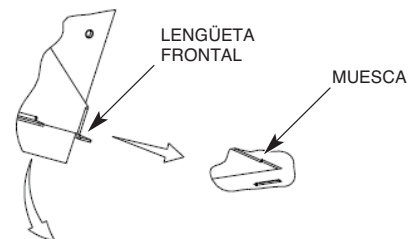


Fig. 25

3. Baje el lado posterior del soplador de tal manera que los orificios de sus soportes de montaje se alineen con los orificios de los soportes de sujeción en el alojamiento del calentador (Figura 26).
4. Instale tornillos $\frac{1}{4}$ -20 de cabeza hexagonal con arandelas y tuercas de tope tal como se muestra en la Figura 24 y apriételos.

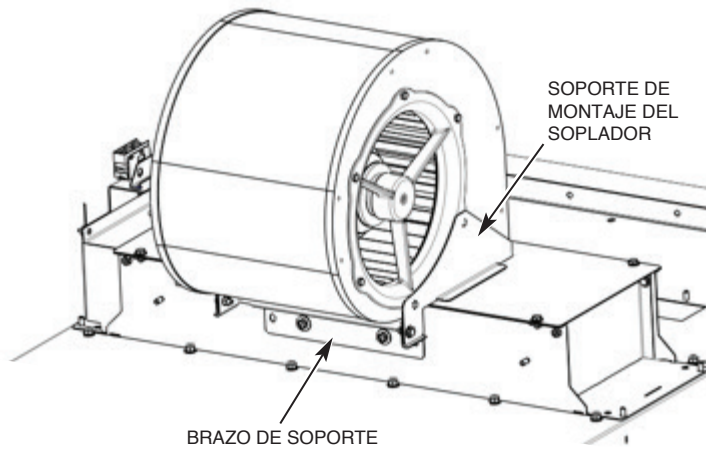


Fig. 26

- Guíe el cable del soplador a través de la protección contra tensión ubicada en el panel vertical del gabinete y a través de la protección contra tensión ubicada en la parte posterior de la caja de control.

NOTA: asegúrese de que el cable no esté tendido en el lado del ventilador en el que se encuentran las aberturas de la cámara de entrada de aire.

- Conecte los cables del motor del ventilador al bloque de terminales de 9 TB en la caja de control. Si los cables están pelados, corte el extremo del cable para quitar el extremo pelado antes de hacer la conexión. Asegúrese de que el motor esté conectado a la corriente eléctrica de la máquina (véase la placa de datos para encontrar el voltaje de la máquina) (Figura 27).

NOTA: los cables blancos no se utilizan. Corte los cables blancos a la funda.

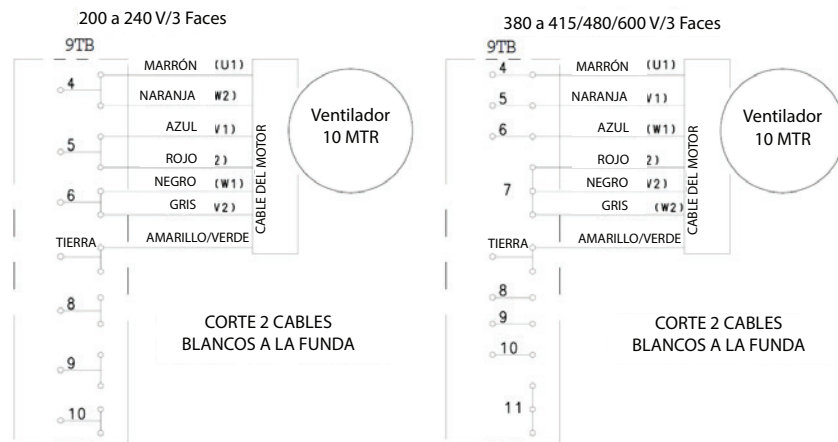
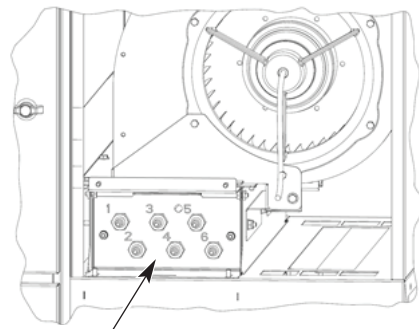


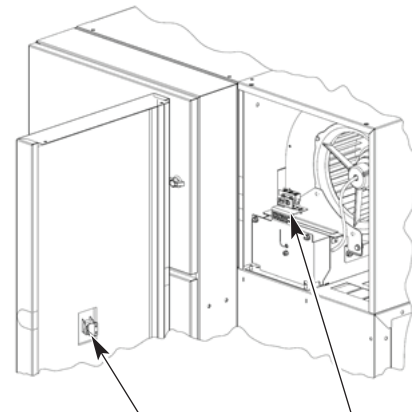
Fig. 27

NOTA: si el secador de aire cuenta con calentadores eléctricos, conecte sus cables marcados como 7HTR-1, -2, -3, -4, -5 y -6 a los elementos de calor del secador de aire (Figura 26). Conecte también los cables del calentador eléctrico indicadores de exceso de temperatura marcados como 6TAS-C, -NC y -NO y los cables de la luz de advertencia por sobrecalentamiento marcados como 1PL-X1 y -X2 a los terminales correspondientes ubicados en el interruptor de límite superior 6TAS montado en la placa que cubre el calentador eléctrico (Figura 27) y en la luz de advertencia por sobrecalentamiento 1PL montada en el panel que cubre el secador de aire frontal (Figura 29).



ELEMENTOS DEL
CALENTADOR ELÉCTRICO

Fig. 26



LUZ DE ADVERTENCIA POR
SOBRECALENTAMIENTO 1PL

LÍMITE
SUPERIOR 6TAS

Fig. 27

Instalación del módulo Advansys

Consulte el manual de instalación F-45777 referente al modelo FT1000e Advansys de Hobart.

Conexiones de la caja de control

Consulte el diagrama eléctrico ubicado en la cara interna de la puerta de la caja de control principal. Una vez consultado el diagrama, devuélvalo a su lugar.

Aunque cada sección viene con un cableado previo, los componentes de la sección de carga y descarga se deben conectar eléctricamente a la caja de control principal adjunta a la sección de descarga. Todos los cables que requieren conexión están provistos de conductos descubiertos y poseen terminales cilíndricos engarzados a las conexiones del bloque de terminales. También se cuenta con conectores del enchufe de seguridad para los paneles de control.

Despliegue los cables con pinzas para el tendido eléctrico, canales y otros elementos adecuados para aberturas en la parte posterior inferior de la caja de control principal. Despliegue los cables (en el conducto) a través de los accesorios correspondientes; extienda las cuerdas a través de aliviadores de tensión. Realice las conexiones adecuadas tanto para cables como para cuerdas. Refuerce bien los aliviadores de tensión y las conexiones del conducto.

Una vez que todos los cables se han desplegado y han sido conectados al bloque de terminales, revise para asegurarse de que estén tapados todos los orificios que no están siendo usados en el área posterior inferior de la caja de control.

NO permita que los cables o el conducto eléctrico toquen la tubería de vapor.

Al hacer la conexión al bloque de terminales (8TB), inserte el cable en la abertura de la terminal designada. Con un destornillador pequeño, haga palanca hacia abajo en la lengüeta correspondiente para realizar la conexión y asegurar el cable. **NO PELE LOS CABLES.**

Por medio del sellador suministrado y aprobado por NSF, aplique una gota de sellante donde cada lado de la caja de control se junta con los rieles de soporte del tanque para evitar que la humedad se introduzca nuevamente en él tanque.

Cableado del calefactor auxiliar eléctrico

Si la máquina está equipada con un calefactor eléctrico de refuerzo, conecte los cables del calefactor eléctrico marcados con 6HTR-1, -2, -3, -4, -5 y -6 a los elementos calefactores situados en la caja del calefactor eléctrico (Figura 30)

NOTA: mientras sujeta la tuerca trasera detrás del terminal del cable, apriete la tuerca exterior a 16 a 18 libras por pulgada,

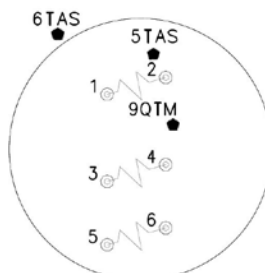


Fig. 30

Interruptores de bloqueo de la puerta y del desagüe (desde tanque de prelavado a tanque de lavado)

Para máquinas I-D, dirija el cable de 4 cables desde la caja de flotador del tanque de prelavado hacia la caja de flotador del tanque de lavado y apriete el dispositivo de alivio de tensión.

- Retire el cable rojo del conector de cable que también contiene el cable azul etiquetado como DOOR (Puerta) y conecte este cable rojo al cable azul etiquetado como LS-RED.
- Conecte el cable azul con la etiqueta DOOR (Puerta) al segundo cable azul con la etiqueta DOOR del tanque de prelavado.
- Retire el cable rojo del conector que también contiene el cable azul etiquetado como DRAIN (Desagüe) y conecte este cable rojo al cable azul etiquetado como DS-RED.
- Conecte el cable azul etiquetado como DRAIN (Desagüe) al segundo cable azul con la etiqueta DRAIN del tanque de prelavado.

Para máquinas D-I, dirija el cable de 4 hilos desde la caja de flotación del tanque de lavado hacia la caja de flotación del tanque de prelavado y apriete el dispositivo de alivio de tensión.

- Conecte el cable azul con la etiqueta LS-BLACK al cable negro del cable del interruptor de lengüeta de la puerta del tanque de lavado (cable a través del alivio de tensión superior).
- Conecte el cable azul con la etiqueta DOOR al cable rojo del cable del interruptor de lengüeta de la puerta del tanque de lavado (cable a través del alivio de tensión superior).
- Conecte el cable azul con la etiqueta DS-BLACK al cable negro del cable del interruptor de lengüeta de drenaje del tanque de lavado (cable a través del alivio de tensión del centro).
- Conecte el cable azul con la etiqueta DRAIN al cable negro del desde el cable del interruptor de lengüeta de drenaje del tanque de lavado (cable a través del alivio de tensión del centro).

NOTA: en la caja de instalación de las piezas se incluyen dos conectores de cable adicionales.

CONEXIONES DE CAÑERÍAS

Revise todas las líneas de agua, particularmente las uniones. Refuércelos si es necesario.

Suministro de agua

El agua suministrada debe estar en el rango de dureza recomendado de 3 granos o menos por galón. Una dureza superior puede ocasionar la formación excesiva de depósitos de sarro. Los cloruros no deben exceder las 50 partes por millón.

REQUISITOS PARA LA PRESIÓN DE AGUA (FLUJO) – PSIG

	Hot Water	Cold Water
FT1000e/FT1000Se	30-35	---
FT1000e/FT1000Se con limpieza automática	40-45	---
FT1000e-EGR/ FT1000Se-EGR	30-35	30-35
FT1000e-EGR/ FT1000Se-EGR con limpieza automática	40-45	30-35
FT1000e-ADV	40-45	30-35

Si la presión de agua es superior a la estipulada en los requisitos, se debe contar con una válvula reguladora con desvío para la expansión térmica interna (no suministrada con el equipo) e instalada en la línea de suministro de agua del lavavajillas.

ATENCIÓN El regulador de presión del agua debe contar con un desvío de seguridad. El uso de un tipo de regulador de presión inapropiado puede dañar la unidad.

En las líneas de suministro de agua caliente y fría (si corresponde) para las conexiones de servicio, se debe contar con un amortiguador del golpe de ariete que cumpla con la norma ASSE-1010 u otra equivalente suministrado e instalado por otro proveedor.

Llenado

Para el llenado, todos los lavavajillas poseen un punto único de conexión común tipo hembra NPT 1". La temperatura mínima del agua para esta conexión es de 43°C (110°F).

Enjuague final

Para modelos base FT1000e, la temperatura mínima necesaria para el agua caliente en el enjuague final es de 43°C (110°F) cuando se cuenta con un calentador de refuerzo eléctrico o de vapor (con el mismo punto de conexión para el llenado). Para modelos FT1000e con recuperación de energía, la temperatura mínima del agua fría para el enjuague final es de 13°C (55°F) cuando se cuenta con un calentador de refuerzo de vapor. Los modelos con recuperación de energía y Advansys poseen un punto único de conexión hembra NPT 1" para el agua fría.

ATENCIÓN Retire los brazos del enjuague final y purgue el sistema antes de hacerlo funcionar. Esto reducirá la posibilidad de obstruir las boquillas de enjuague. Para limpiar la unidad, active el enjuague final por 3 a 5 minutos y luego reinstale los brazos de enjuague.

Desagüe

En el caso de lavavajillas que no cuentan con limpieza o eliminación de sarro automáticas, conecte el desagüe al accesorio roscado NPT 2" ubicado en el extremo de carga o de descarga del lavavajillas.

NOTA: los accesorios del tapón y del desagüe roscado se pueden intercambiar para invertir el extremo de descarga del lavavajillas.

En el caso de lavavajillas equipados con limpieza o eliminación de sarro automáticas, el ensamblaje del desagüe principal se ubica en el extremo de descarga de la unidad. Conecte el desagüe al accesorio roscado NPT 2". Consulte REUBICACIÓN DEL DESAGÜE PRINCIPAL EN EL EXTREMO DE CARGA (página 124) si el drenaje del lavavajillas se ubica en esa sección.

NOTA: en el caso de lavavajillas equipados con limpieza automática y sin la sección ASR, el ensamblaje del desagüe principal no puede ubicarse nuevamente en el extremo de carga del lavavajillas.

Si el código exige una trampa de grasa, el desagüe deberá tener una tasa de flujo de 38 galones por minuto.

Coladores de línea

Los coladores de línea del lavavajillas deberán limpiarse después de la instalación y dentro de la primera semana de funcionamiento. Estos coladores recogen aceites y otros contaminantes. Los coladores de línea obstruidos producirán restricciones en el flujo de agua o de vapor y reducirán el desempeño total del lavavajillas.

Suministro de vapor (si está incluido en el equipo)

Revise todas las líneas de vapor para ver si hay fugas, particularmente las uniones. Refuércelos si es necesario.

El suministro de vapor debe estar entre 12 y 45 psig de presión de flujo en el lavavajillas. Para esto cuentan con un accesorio único tipo hembra NPT 1½" para conexiones bajo el extremo de descarga.

NOTA: si la presión de vapor disponible es inferior a 12 psi en la máquina, póngase en contacto con Hobart Warewash Sales Engineering.

USO Y REQUISITOS PARA EL VAPOR – LIBRAS POR HORA

Modelo	Calor en el tanque	Propulsor de agua entrante 110 F Enjuague 75 F	Secador	Calor en tanque y propulsor TOTAL	Calor en tanque, propulsor y secador TOTAL
FT1000e-BAS	215	64	-	279	-
FT1000Se-BAS	194	64	-	258	-
FT1000Se-BAS-BD	215	64	52	279	331
FT1000Se-BAS-BD	194	64	52	258	310
FT1000e-EGR	215	64	-	279	-
FT1000Se-EGR	194	64	-	258	-
FT1000e-ER-BD	215	64	52	279	331
FT1000Se-ER-BD	194	64	52	258	310
FT1000e-ADV	138	-	-	138	-

Calentadores del tanque de vapor – Líneas de retorno del condensado

Los tanques de lavado, enjuague intenso y doble enjuague pueden equiparse con calentadores con bobina de vapor. Si se utiliza este tipo de bobina, se debe conectar un retorno del condensado del tipo gravitacional para cada bobina. El sistema está provisto de trampas tipo cubeta. Los puntos de conexión de las líneas de retorno del condensado para las tres bobinas cuentan con accesorios hembra NPT de ¾" para el tubo. Las líneas de condensado no deben tener tubería ascendente.

Calentador de refuerzo del vapor – Línea de retorno del condensado y válvulas de escape

El punto de conexión para la línea de retorno del condensado en el caso del calentador de refuerzo de vapor cuenta con un accesorio hembra NPT ¾" para el tubo. El sistema está provisto de una trampa tipo cubeta. Las líneas de condensado no deben tener tubería ascendente. El calentador de refuerzo del vapor está equipado con una válvula de escape que posee un accesorio tipo hembra NPT 1" para el tubo y que debe extenderse hacia un receptor de desagüe abierto en el piso. El calentador de refuerzo del vapor también cuenta con una válvula de escape para el agua caliente que posee un accesorio tipo hembra NPT ¾" para el tubo y que debe dirigirse hacia un receptor de desagüe abierto en el piso.

El termostato propulsor de vapor (estilo bulbo o tubo capilar) se monta y se cablea en la caja de control principal. El bulbo y el tubo capilar vienen embalados junto con la caja de control en la sección central. Al momento de la instalación, el bulbo y el tubo capilar deben ser cuidadosamente desenroscados y guiados hacia el propulsor de vapor e insertados en la línea de salida de agua caliente del propulsor por medio de la conexión suministrada. Inserte el bulbo en los dos tercios del trayecto dentro del cuerpo del propulsor (consulte la etiqueta adjunta al termostato, F-44107).

Secador de vapor (si está incluido en el equipo) – Línea de retorno del condensado

NOTA: el secador de vapor está equipado con una válvula de encendido y apagado del vapor. El suministro de vapor está ENCENDIDO o APAGADO si el lavavajillas también lo está de igual forma.

Este secador posee un retorno del condensado del tipo gravitacional provisto de una trampa estilo cubeta. El punto de conexión para la línea de retorno del condensado en el caso de la bobina cuenta con un accesorio tipo hembra NPT ¾" para el tubo. Las líneas de condensado no deben tener tubería ascendente.

Conexiones de la manguera de llenado y de limpieza automática (si está incluida en el equipo)

Guíe las mangueras de llenado y de limpieza automática desde el solenoide ubicado bajo la sección de descarga hacia las conexiones apropiadas del tanque. Consulte los siguientes diagramas acerca del solenoide para las características del tanque (Figuras 31 y 32).

Agua fría - Conexiones entrelazadas de la manguera de acero inoxidable

1. Salida de la bomba de enjuague final hacia la parte superior de la bobina de recuperación de energía.
2. Parte inferior de la bobina de recuperación de energía hacia la conexión de cañerías en el lado inferior del propulsor.
3. Conexión de cañerías de la parte superior del propulsor hacia el ensamblaje de cañerías del enjuague final.

Agua caliente - Conexiones entrelazadas de la manguera de acero inoxidable

1. Salida de la válvula principal de limpieza automática hacia la entrada del disyuntor de vacío.
2. Salida del disyuntor de vacío hacia el colector de limpieza automática.
3. Válvula de llenado de agua caliente para prelavado hacia la caja de espacio de aire de llenado en prelavado.
4. Válvula de llenado de agua caliente para enjuague intenso hacia la caja de espacio de aire de llenado en enjuague intenso.
 - a. Para modelos FT1000Se, válvulas de llenado de agua caliente para lavar hacia caja de espacio de aire de llenado para lavar.

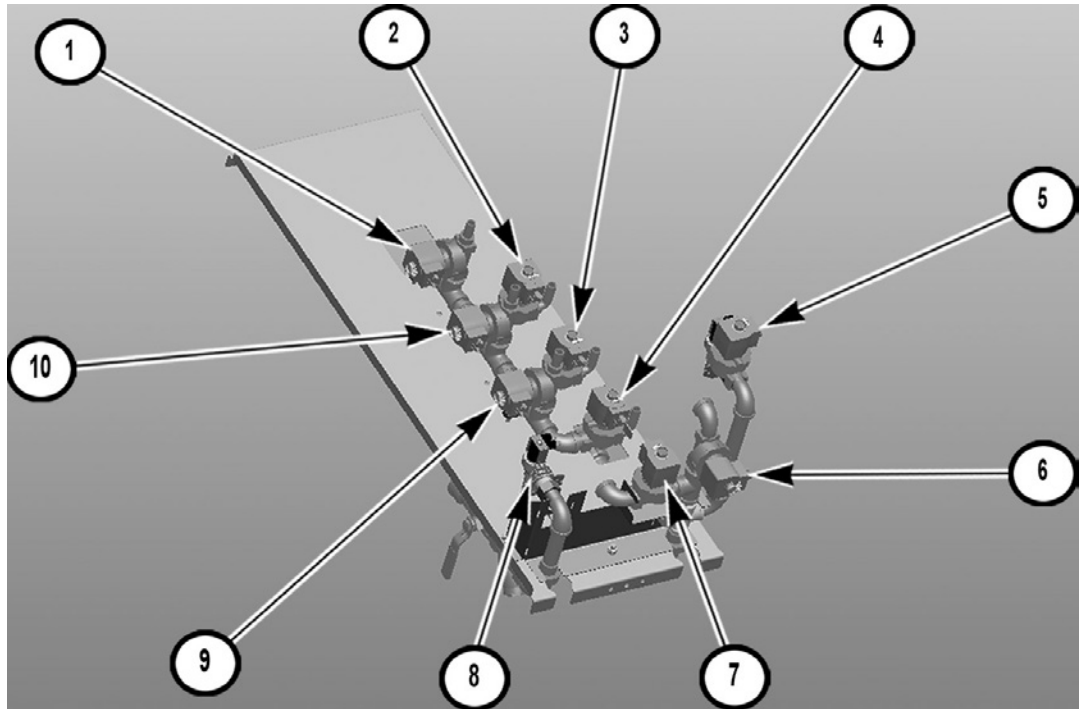


Fig. 31

Diseño de solenoide de derecha a izquierda		
Número	Descripción	Solenoide
1	Válvula ASR de limpieza automática	9 SOL
2	Válvula de prelavado con limpieza automática y de boquillas inferiores de lavado	10 SOL
3	Válvula de boquillas superiores de lavado con limpieza automática	12 SOL
4	Válvula de doble enjuague en limpieza automática	14 SOL
5	Válvula principal de limpieza automática	15 SOL
6	Válvula de llenado de agua caliente para enjuague intenso	1 SOL
7	Válvula de llenado de agua caliente para prelavado	3 SOL for FT1000 2 SOL for FT1000S
8	Válvula de llenado de agua fría	5 SOL
9	Válvula de enjuague intenso en limpieza automática	13 SOL
10	Válvula de boquillas superiores de prelavado con limpieza automática	11 SOL

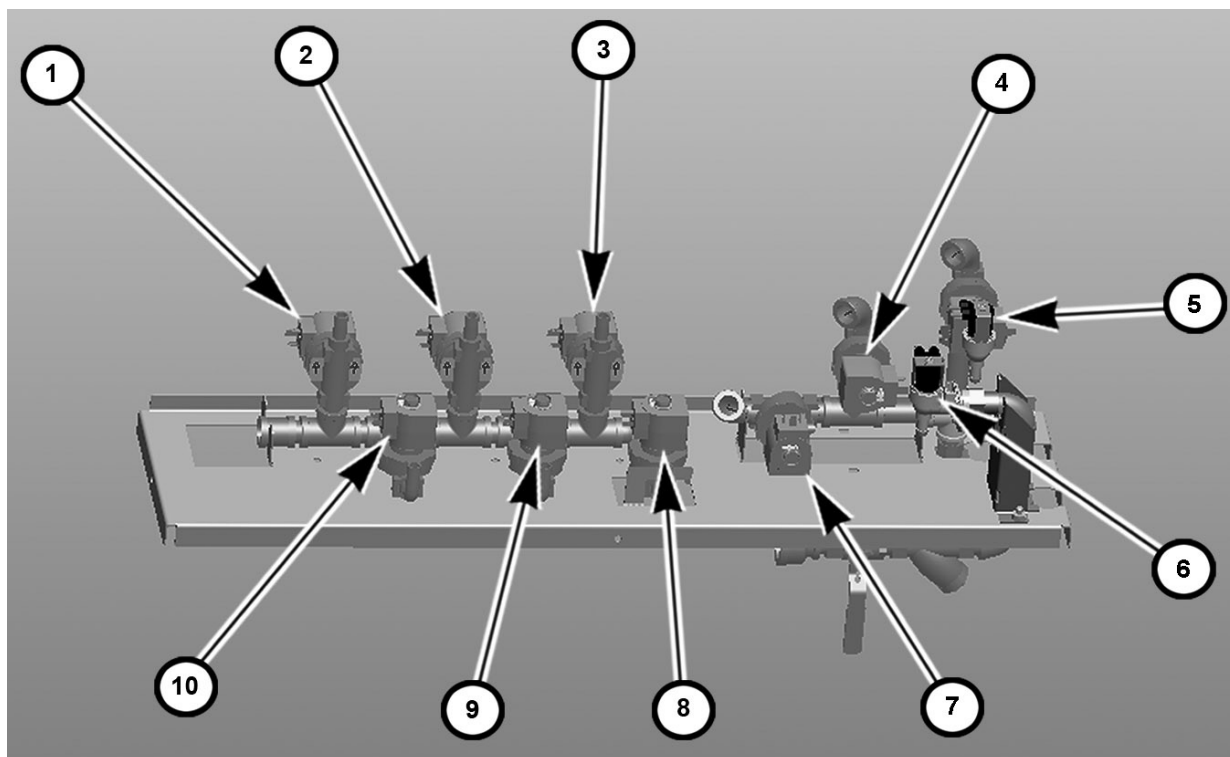


Fig. 32

Diseño de solenoide de izquierda a derecha		
Número	Descripción	Solenoide
1	Válvula ASR de limpieza automática	9 SOL
2	Válvula de boquillas superiores de prelavado con limpieza automática	11 SOL
3	Válvula de enjuague intenso en limpieza automática	13 SOL
4	Válvula de llenado de agua caliente para enjuague intenso	1 SOL
5	Válvula principal de limpieza automática	15 SOL
6	Válvula de llenado de agua fría	5 SOL
7	Válvula de llenado de agua caliente para prelavado	3 SOL for FT1000 2 SOL for FT1000S
8	Doble enjuague en limpieza automática	14 SOL
9	Válvula de prelavado con limpieza automática y de boquillas superiores de lavado	12 SOL
10	Válvula de prelavado con limpieza automática y de boquillas inferiores de lavado	10 SOL

NOTA: para modelos FT1000e y FT1000Se (sin Advansys), la válvula principal de limpieza automática se llenará de agua caliente para el enjuague en la bomba en ambas direcciones.

CONEXIONES ELÉCTRICAS

⚠ ADVERTENCIA Las conexiones eléctrica y a tierra deben cumplir con las secciones que corresponden al Código Nacional de Electricidad (NFPA N° 70 en su última edición) y con otras normas eléctricas locales.

⚠ ADVERTENCIA Desconecte el lavavajillas de la corriente eléctrica y siga los procedimientos de bloqueo y etiquetado. Puede haber varios circuitos. Asegúrese de que todos estén desconectados.

Con el suministro eléctrico a todas las conexiones bloqueado y etiquetado, verifique que las conexiones de la línea y del servicio de carga han sido apretadas de manera apropiada.

Consulte el diagrama eléctrico ubicado al interior de la puerta de la caja de control. Algunos lavavajillas pueden requerir más de una conexión para el suministro eléctrico. Todas las líneas de alimentación eléctrica hacia el lavavajillas deben desconectarse al realizar el mantenimiento de la máquina.

Despliegue los conductos eléctricos a través de las aberturas provistas en el lado posterior del lavavajillas detrás de la caja de control. Instale las conexiones en las preperforaciones de la parte posterior de la caja de control (Figura 33).

PASE LOS CONDUCTOS CON LOS ACCESORIOS NECESARIOS A LO LARGO DE LA ABERTURA DETRÁS DE LA CAJA DE CONTROL Y TERMINE EN LAS PREPERFORACIONES UBICADAS EN SU PARTE TRASERA

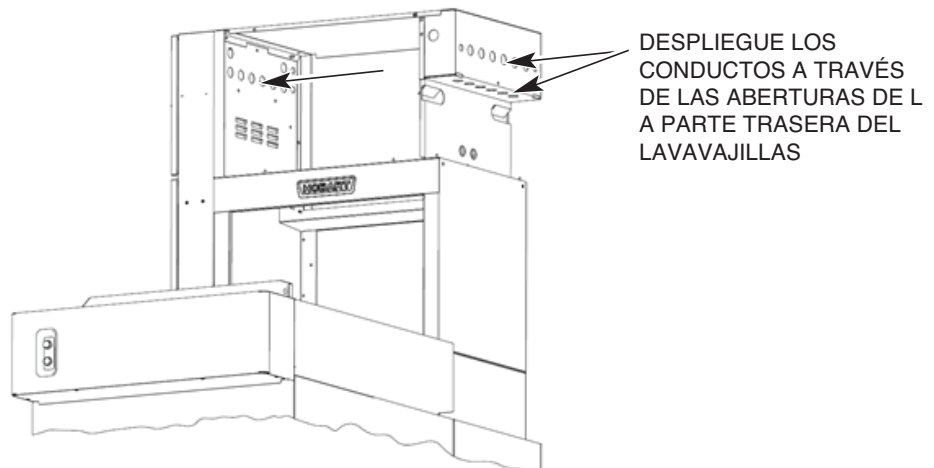


Fig. 33

Sobrecargas del motor

Asegúrese de que todas las sobrecargas del motor indicadas en el panel de control no estén activadas presionando el botón azul de reinicio ubicado en la parte frontal de cada sobrecarga del motor (Figura 34). Revise que todas las sobrecargas estén configuradas en un valor de voltaje adecuado para la gráfica ubicada en el diagrama de cableado y ajuste según sea necesario.

Conexión eléctrica – Dispensadores de detergente y de agente de enjuague

NOTA: este lavavajillas debe funcionar con un dispensador automático de detergente que incluya un visor para verificar el suministro, o bien una alarma visual o audible que indique cuando los detergentes no están disponibles para el sistema de lavado. Lea las instrucciones dadas en este manual para las conexiones eléctrica y de cañerías y las indicaciones señaladas en el manual del equipo dispensador. Los dispensadores para sustancias químicas son suministrados e instalados por otros proveedores.

El voltaje del suministro eléctrico para el lavavajillas se puede utilizar para proveer de electricidad al dispensador de detergente o al del agente de enjuague con más de 1,5 amperes cada uno.

Las conexiones DPS1 y DPS2 del terminal están disponibles para el dispensador de detergente (ENCENDIDO cuando las bombas están funcionando). Las conexiones RPS1 y RPS2 del terminal están disponibles para el dispensador del agente de enjuague (ENCENDIDO cuando el enjuague final está funcionando). El reverso del panel de control está disponible para ubicar un conducto de ½” que conecte estos dispositivos.

El tanque de lavado cuenta con un orificio con tapón en el lado izquierdo dirigido hacia la esquina frontal inferior para una sonda del detector de detergente. En la parte trasera de la cámara de lavado se encuentra un orificio con tapón para el ingreso del dispensador de detergente líquido. Un tapón NPT de 1/8 in se suministra en la parte trasera del tanque de retención situado debajo del extremo de descarga de la máquina para una entrada del abrillantador (Figura 35). La ubicación ideal para el dispensador de detergente o de agente de enjuague es en la parte superior del lavavajillas. Para el montaje del dispensador, el equipo cuenta con dos soportes de acero inoxidable (embalados sueltos para instalar a gusto del usuario en los paneles superiores de la unidad). En lo posible, despliegue todas las cañerías y el cableado entre los paneles traseros de acceso y la cámara.

CONNECTOR DEL ABRILLANTADOR

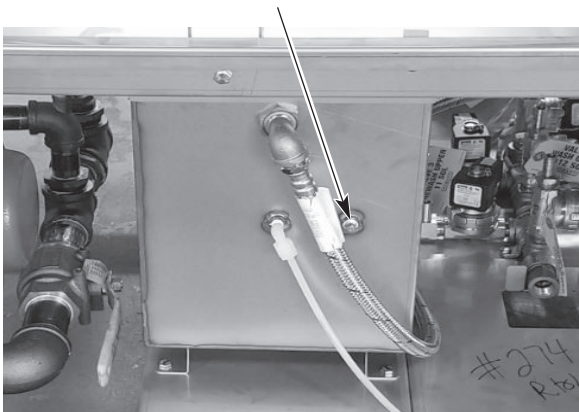


Fig. 35

Control externo del extractor de aire

El circuito de control del ventilador de ventilación se puede utilizar para encender y apagar el ventilador de ventilación de la cámara con la máquina para lavaplatos. El ventilador está encendido (ON) cuando se enciende el interruptor principal de la máquina lavaplatos y el ventilador está apagado (OFF) cuando se apaga el interruptor principal de la máquina lavaplatos. Los puntos de conexión de control del ventilador de ventilación están etiquetados como VF1 y VF2 y se encuentran

en el bloque de terminales 9TB en la caja de control superior, detrás de la cubierta protectora de acero inoxidable. En la parte posterior del panel de control hay un orificio de conducto de ½" para la conexión del conducto de control del ventilador de ventilación.

El circuito de control del ventilador de ventilación es un circuito de conmutación. La energía para el circuito se suministra desde la energía de control de la instalación al ventilador de escape en el techo.

La carga máxima de trabajo del piloto para la conexión del interruptor VFC es de 1,5 amperios.

ENSAMBLAJE DE LA CINTA TRANSPORTADORA

Antes de instalar la cinta transportadora, afloje las dos tuercas de tope ubicadas en los ensamblajes de tensión frontal y posterior en el lado externo de los rieles ubicados en el extremo de carga del lavavajillas. Enrosque los pernos de ajuste tanto como sea posible moviendo las guías frontal y posterior de la cinta transportadora hacia la entrada del lavavajillas (Figura 36). Retire la cadena de transmisión de la cinta transportadora desde el motor de engranaje.

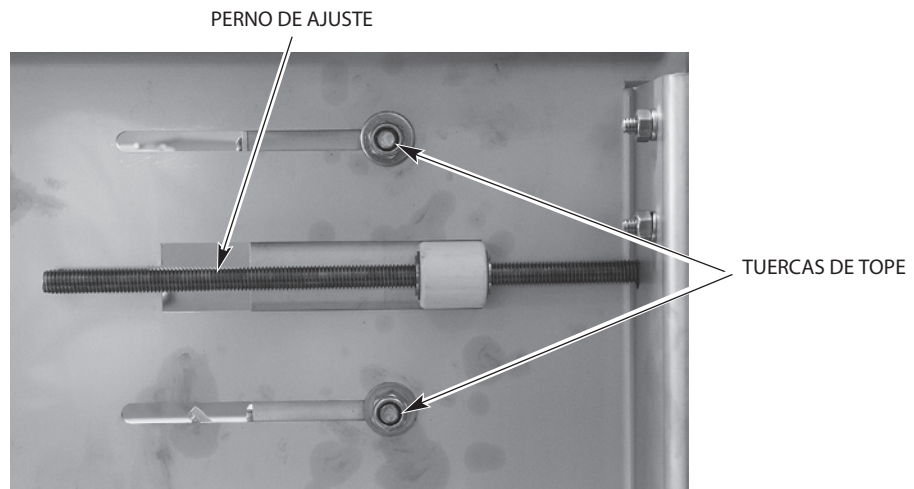


Fig. 36

Carga y unión de secciones de la cinta transportadora

- Todas las piezas de la cinta transportadora están numeradas: ROLL 1, ROLL 2, ROLL 3, ROLL 4, etc.; instálelas en secuencia numérica.
- Retire las extensiones de rieles de 3 in de altura del extremo de la carga (frontal y posterior) quitando dos juegos de herrajes para instalar la cinta transportadora. Vuelva a ensamblar las extensiones del riel después de ensamblar la cinta transportadora.
- Levante la plataforma de carga y coloque un trozo de cartón debajo, alrededor y arriba de ella para protegerla de rayaduras al momento de la instalación de la cinta transportadora.
- Retire la cubierta de la cadena en el extremo de descarga y luego saque la cadena desde el motor de engranaje de la cinta transportadora de tal manera que los piñones giren libremente.

- Coloque la primera sección de la cinta transportadora en línea con el lavavajillas en el extremo de carga. Los soportes aéreos deben inclinarse hacia el extremo de carga del lavavajillas (Figura 37).
- Para cintas transportadoras de seguridad soldadas, asegúrese de que los anillos de retención estén soldados con tachuelas a las vástagos de la cinta transportadora.

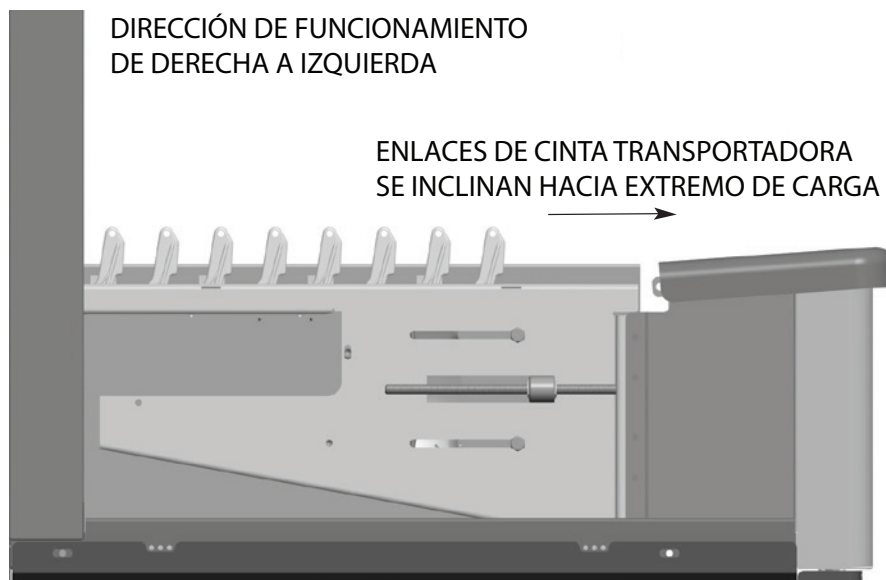


Fig. 37

- Ate una cuerda en la primera varilla de la cinta transportadora. Extiéndala a través del lavavajillas siguiendo la ruta establecida para la cinta transportadora con los soportes aéreos dirigidos hacia arriba. Los rodillos de la cinta transportadora deben alimentarse entre la guía de rodillos superior y el carril (Figura 38).



Fig. 38

- Retire el rodillo de la cinta transportadora desde un extremo de la última varilla en la primera sección. Luego saque la varilla y guarde el rodillo y las arandelas para reensamblar. Para unir las secciones, enrosque hacia atrás la varilla a través de las barras laterales y de la arandelas y luego a través de los soportes aéreos, alternando los enlaces desde la primera y la segunda sección y luego a través de la arandelas y de las barras laterales en el lado opuesto. Complete el ensamblaje ajustando el rodillo de la cinta transportadora con un nuevo anillo de retención (Figuras 39 y 40). Gire el rodillo para asegurarse de que el anillo de retención está fijo en la varilla de la cinta transportadora. Use siempre un anillo de retención nuevo para fijar una manija hermética en la varilla de la cinta transportadora. Repita este paso para unir cada sección subsiguiente de la cinta.

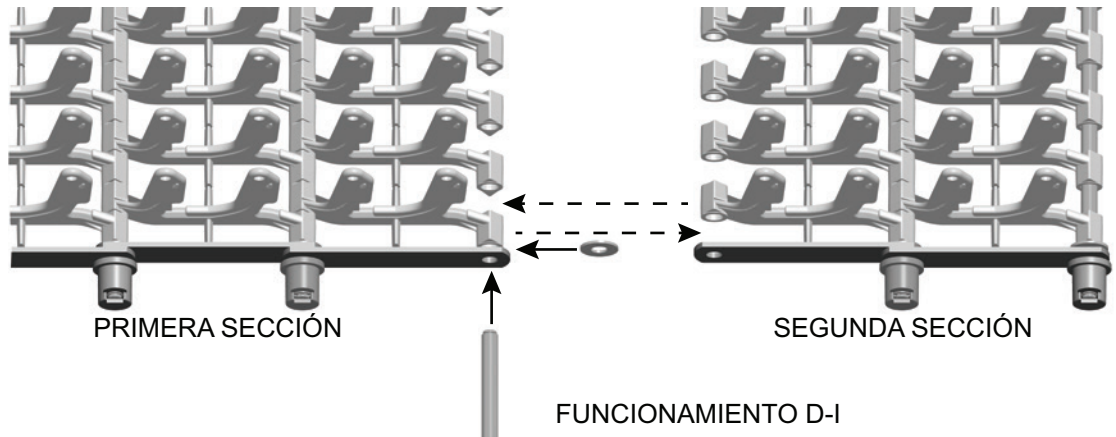


Fig. 39

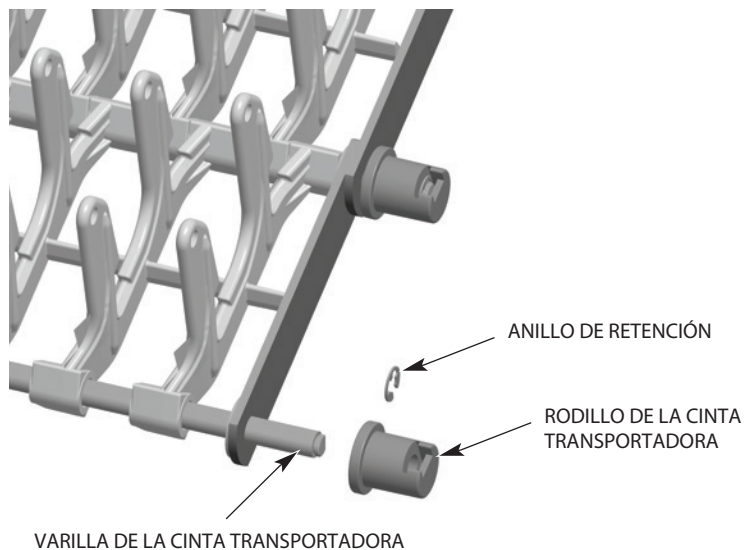


Fig. 40

Jale la cinta transportadora a través del lavavajillas comenzando en el extremo de carga, alrededor de los piñones en el extremo de descarga, bajo la parte superior del riel inferior y de regreso a través del lavavajillas. Asegúrese de que los rodillos no pasen bajo los rieles.

Una los extremos de la cinta transportadora enroscando la varilla final a través de las filas de soportes aéreos y de las barras laterales en ambos lados. Las conexiones de la cinta transportadora se alternan con ambos extremos del enlace en el lado interior seguido por ambos extremos del siguiente enlace del lado exterior, excepto en el enlace de compensación de la cinta transportadora que solo se usa en las cintas estándar.

Barra lateral de compensación de la cinta transportadora

Estas barras se utilizan en las cintas transportadoras estándar y, si es necesario, en la conexión final para unir ambos extremos de la cinta. La longitud total de todas las secciones embaladas de la cinta puede exceder levemente el largo óptimo requerido para el lavavajillas y para el desplazamiento de la cinta transportadora. Esto posiblemente puede requerir una o dos filas de soportes aéreos retirados junto con todas las varillas correspondientes, las barras laterales y los rodillos de los extremos. Una vez determinada la longitud adecuada de la cinta transportadora, jale a un tiempo los extremos de las dos últimas secciones para examinar el modelo de las barras laterales. Si ambas secciones finalizan con barras laterales en posición externa o en posición interna (Figura 41), debe reemplazar las últimas barras laterales en una de las secciones por barras laterales de compensación para mantener el modelo (Figura 42). Sin embargo, si las secciones finalizan de tal manera que el modelo de interior a exterior de las barras laterales se mantiene, dichas secciones se pueden unir sin utilizar barras laterales de compensación (Figura 43). Complete la unión de las secciones de la cinta transportadora como corresponda para mantener el modelo de la barra lateral.

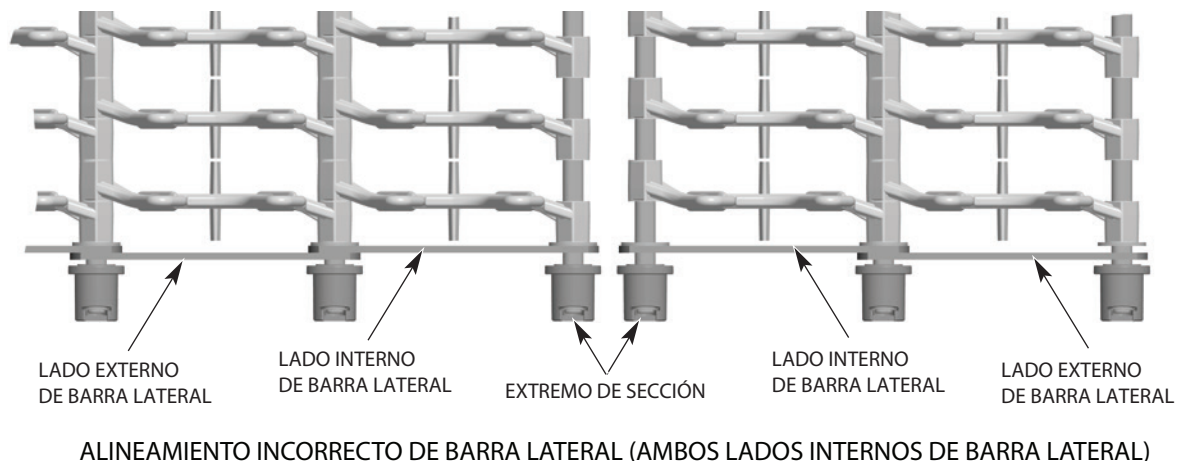


Fig. 41

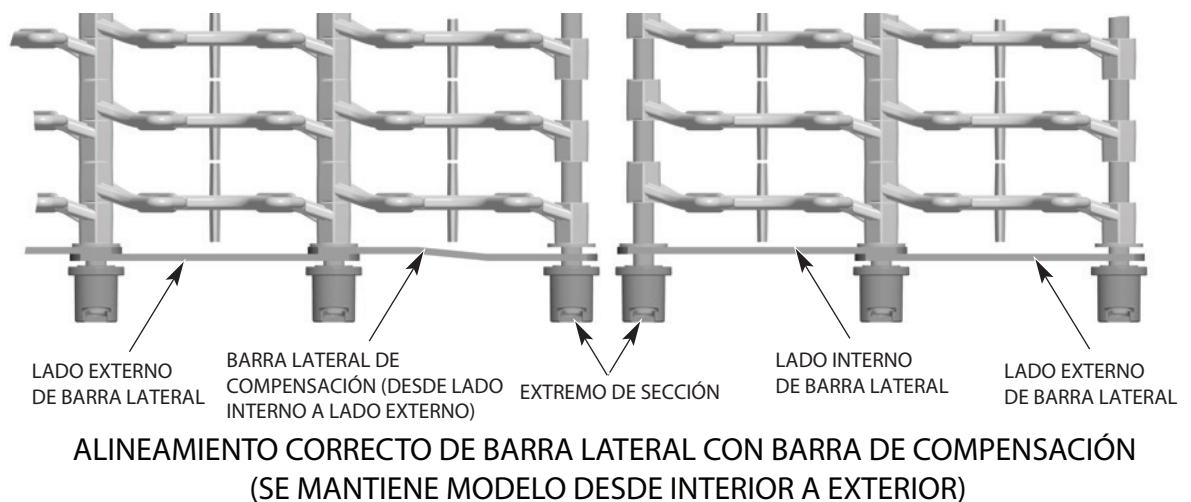
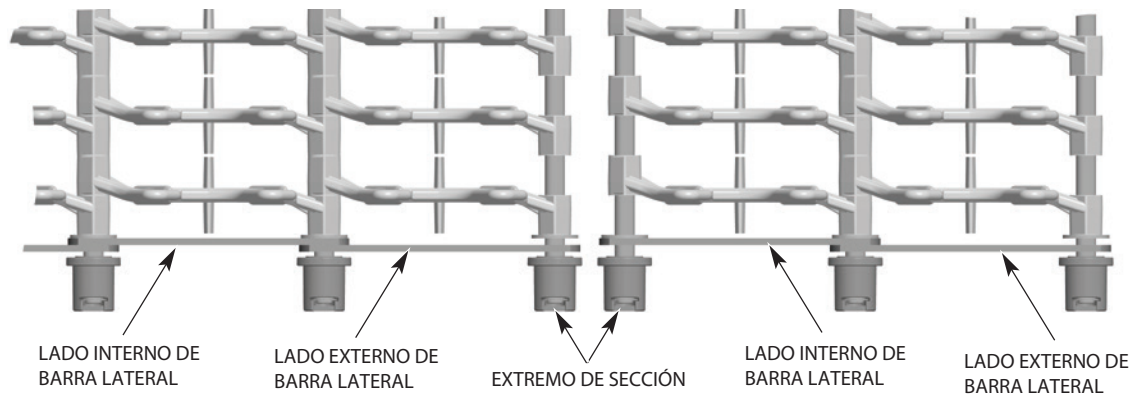


Fig. 42



ALINEAMIENTO CORRECTO DE BARRA LATERAL SIN ENLACE DE COMPENSACIÓN
(SE MANTIENE MODELO DESDE INTERIOR A EXTERIOR)

Fig. 43

NOTA: al ajustar la cinta transportadora a la longitud apropiada, los soportes aéreos se acercarán más (en 1") para engranar los dedos de carga en la plataforma. Puede ser necesario retirar una o dos varillas de la cinta transportadora (con filas de soportes aéreos) para obtener la longitud deseada.

NOTA: se debe usar un anillo de retención NUEVO cada vez que se instale o se reemplace un rodillo (Figura 40).

Se debe usar un anillo de retención NUEVO cada vez que se instale o se reemplace un rodillo.

Ajuste de la unidad de tensión de la cinta transportadora (sección de carga)

Refuerce la tensión de la cinta transportadora girando los pernos de ajuste en las unidades de tensión hasta que dicha cinta ya no este combada tanto en el extremo de carga como en el de descarga y luego apriete nuevamente las dos tuercas de tope ubicadas en los ensamblajes de tensión frontal y posterior en el lado externo de los rieles (Figura 44).

NOTA: cuando el transportador esté ajustado a la tensión adecuada, asegúrese de que los pernos de ajuste se ajusten uniformemente en los lados delantero y trasero midiendo desde el borde del agujero del riel hasta la cara de la guía del rodillo (Figura 44).

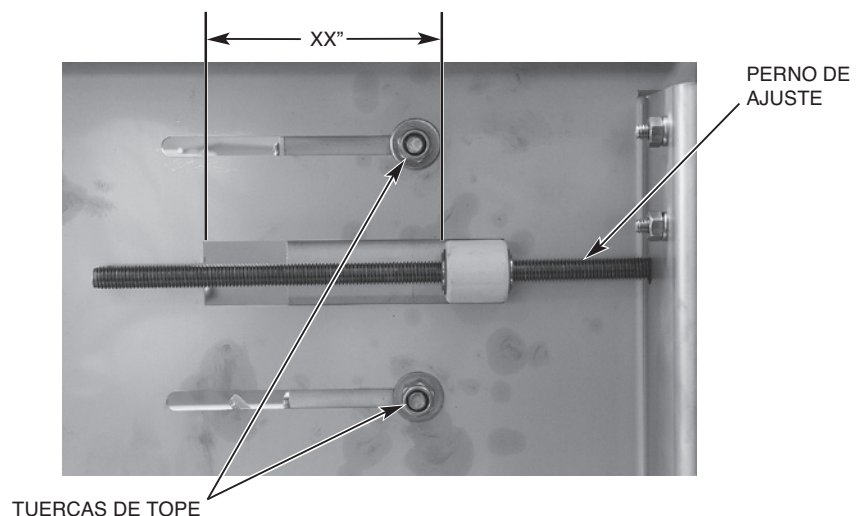


Fig. 44

Haga que la cinta avance durante 20 minutos. En ese lapso puede ser conveniente calibrar el termostato del propulsor según lo descrito en “Calibración del termostato del propulsor” en la sección Varios de este manual. Luego de este procedimiento, detenga la cinta transportadora y revise la tensión. La tensión adecuada se logra cuando se agarra ambos lados del transportador en el medio de la descarga y se levanta de modo que la parte inferior de los rodillos del transportador (ambos lados) simplemente despejen la superficie superior de los rieles de descarga (Figura 45).

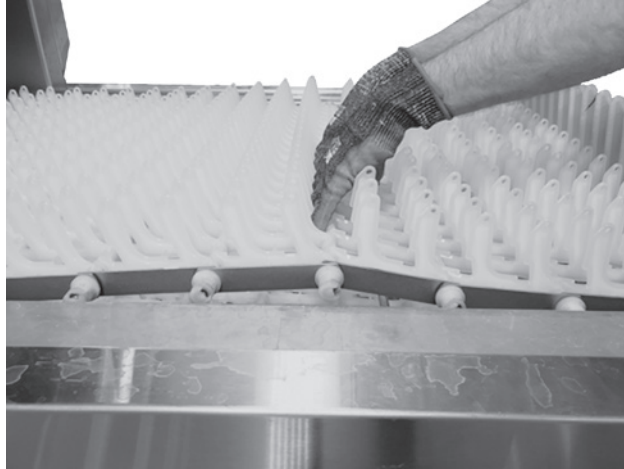


Fig. 45

Verificación y ajuste de configuración del interruptor de atasco de cinta transportadora FT1000e

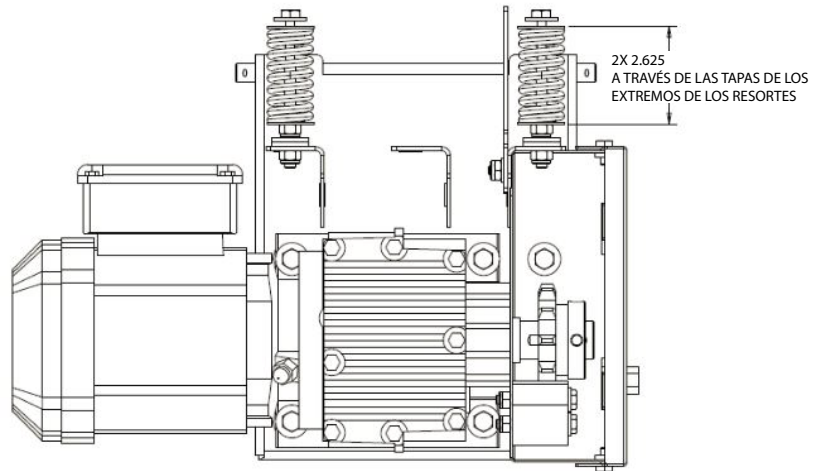
NOTA: este procedimiento debe realizarse después de que la máquina esté completamente instalada y operativa, sin platos en el transportador, y requerirá una llave de torsión con capacidad para 150 libras por pie.

1. Retire el panel del borde inferior de descarga desde el lado de accionamiento de la cinta transportadora para acceder al ensamblaje de transmisión de la cinta (panel frontal en lavavajillas I-D, panel posterior en lavavajillas D-I).
2. Encienda el lavavajilla y haga funcionar la cinta transportadora.
3. Usando una llave dinamométrica de "1/2" ajustada a 75 libras por pie con un casquillo de 5/8", aplique torque en el sentido de las manecillas del reloj a la varilla hexagonal que sobresale de la base del ensamblaje de transmisión (Figura 46).



Fig. 46

- a. En caso de que el interruptor de atasco de la cinta transportadora apague el lavavajilla cuando se aplica un torque de 70-80 pie libra, no es necesario realizar otras acciones. Coloque nuevamente el panel del borde inferior.
 - b. Si el interruptor de atasco de la cinta transportadora no apaga al lavavajilla cuando se aplica un torque de 70-80 pie-libra, continúe con el paso 4.
4. Retire el panel de descarga y verifique que los dos resortes estén ensamblados correctamente y comprimidos a la dimensión correcta, como se muestra en la Figura 47.



ESTA DIMENSIÓN ES ANTERIOR AL MONTAJE DE LA CADENA DE TRANSMISIÓN

Fig. 47

- a. Si algún resorte no está comprimido como es debido, ajústelo según se requiera aflojando o apretando la tuerca de ajuste.
5. Verifique la posición de la placa del accionador antiatasco del transportador y del sensor de atascos para asegurarse de que estén colocados como se muestra a continuación y ajústelos según sea necesario (Figuras 48 y 49).

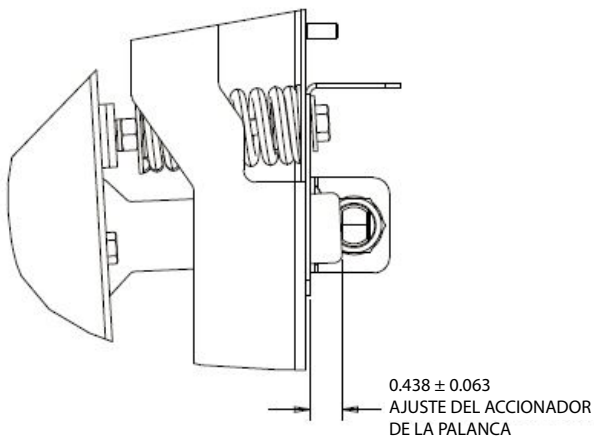


Fig. 48

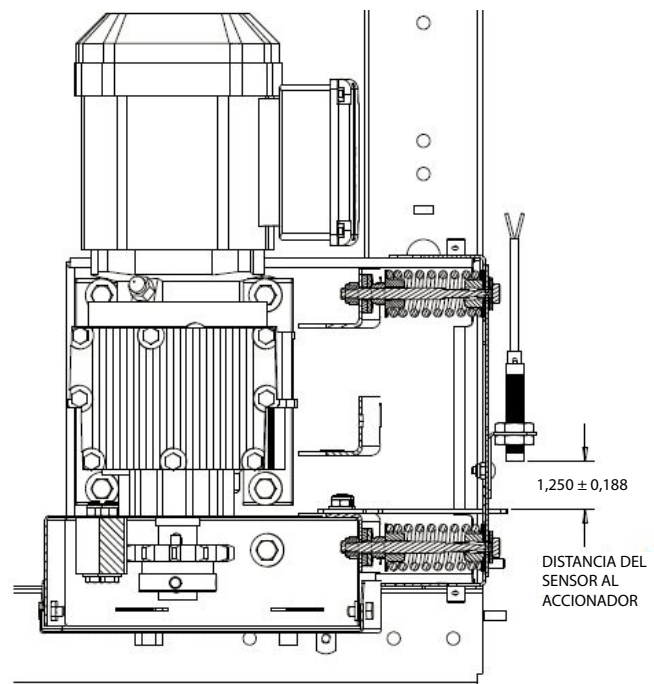


Fig. 49

6. Consulte los pasos 2 y 3 y revise el funcionamiento del interruptor de atasco de la cinta transportadora.
7. Instale nuevamente los paneles del borde inferior.

VARIOS

Ventilación

ATENCIÓN No se pare sobre las cubiertas superiores de la cámara cuando instale el sistema de ventilación.

La conexión de la ventilación debe encajar dentro de una chimenea de ventilación de 16" de diámetro, proporcionando 750 CFM de escape en la conexión de la máquina (en condiciones de aire estándar).

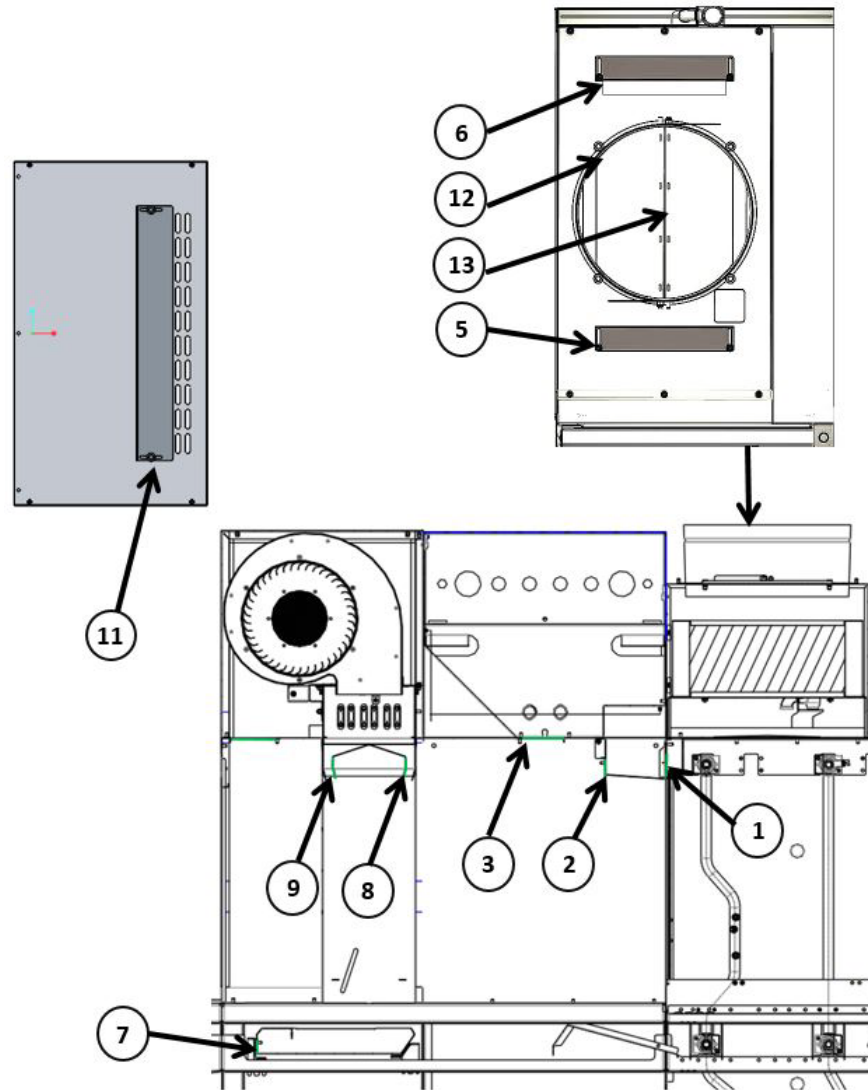
NOTA: asegúrese de que la bandeja de condensación de escape no esté bloqueando la entrada de aire.

Para todos los modelos equipados con recuperación de energía, se requiere un sistema de prevención de corrientes de aire en la entrada al agujero para evitar que la bobina de recuperación de energía se congele (suministrada e instalada por otros).

Los difusores de aire vienen configurados desde la fábrica. Una vez que el lavavajillas está en pleno funcionamiento con la propia vajilla del cliente, si se requiere hacer ajustes, consulte el manual de mantenimiento o comuníquese con la oficina local del servicio técnico de Hobart.

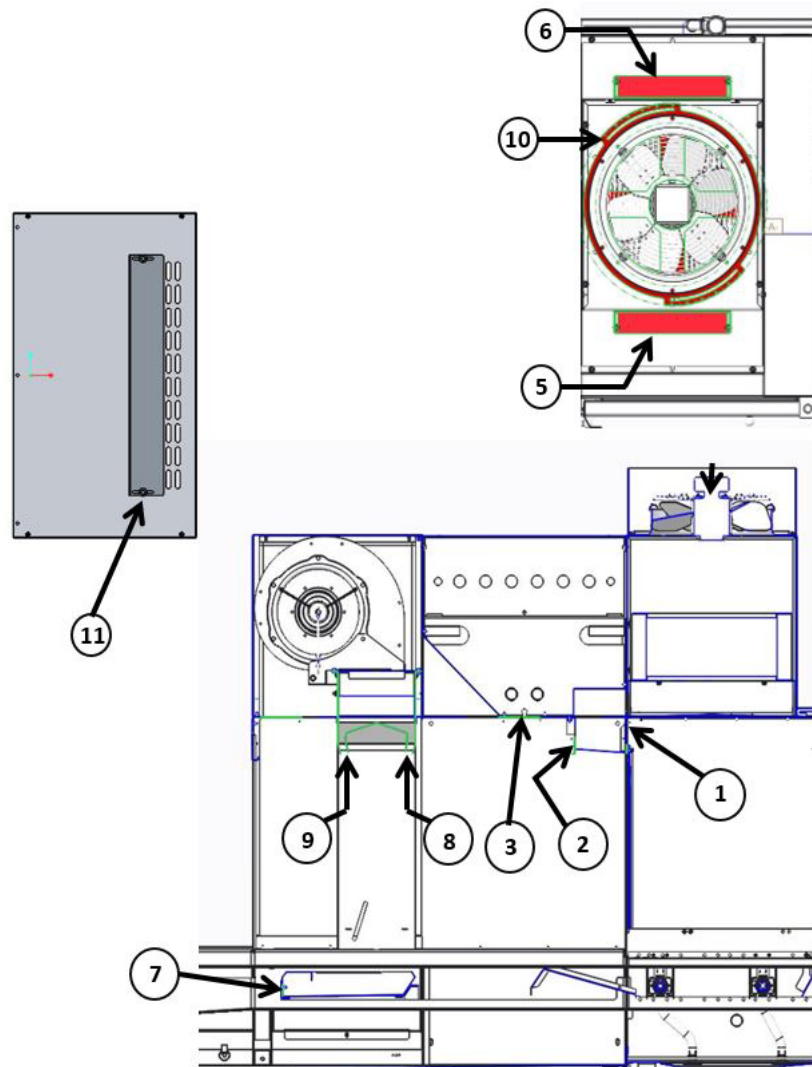
Parámetros del difusor de aire

Los siguientes diagramas y gráficos describen los ajustes estándar de fábrica de los deflectores para cada una de las configuraciones de la máquina.



FT1000e y FT1000Se SIN SECADOR DE AIRE	
Número del difusor	Configuración del difusor (abierto)
1	100%
2	50% (5/8")
3	N/A
4	N/A
5	Cerrado
6	Cerrado
7	N/A
8 (entrada)	N/A
9 (salidas)	N/A
10	N/A
11	N/A
12	Abierto 45°
13	Abierto 45°

FT1000e y FT1000Se CON SECADOR DE AIRE	
Número del difusor	Configuración del difusor (abierto)
1	100%
2	50% (5/8")
3	Cerrado
4	N/A
5	Cerrado
6	Cerrado
7	Cerrado
8 (entrada)	12° hacia descarga
9 (salidas)	0° (Vertical)
10	N/A
11	2 líneas abiertas
12	Abierto 45°
13	Abierto 45°



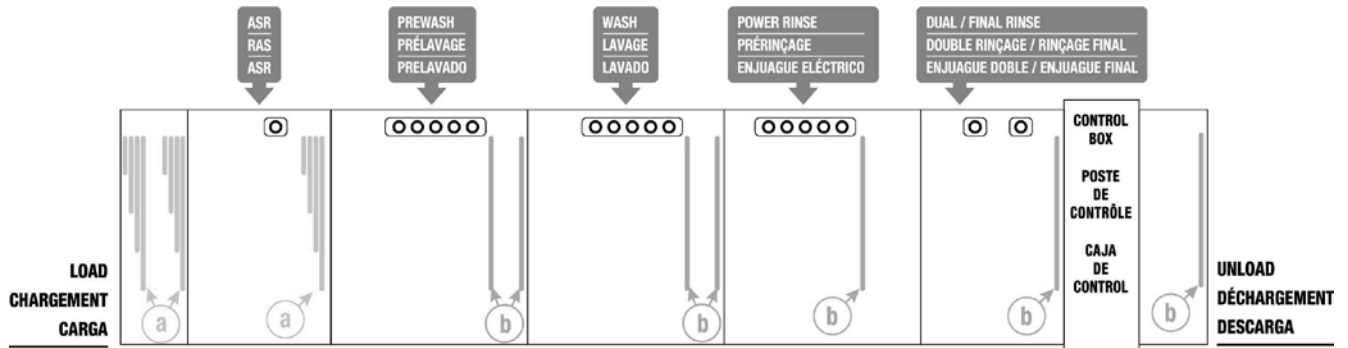
FT1000e y FT1000Se CON SECADOR DE AIRE	
Número del difusor	Configuración del difusor (abierto)
1	100%
2	25% (3/8")
3	Cerrado
4	N/A
5	Cerrado
6	Cerrado
7	Cerrado
8 (entrada)	12° hacia descarga
9 (salidas)	0° (Vertical)
10	#3
11	2 líneas abiertas
12	N/A
13	N/A

Configuraciones de la cortina

FT1000e-BAS & FT1000e-EGR (Altura estándar) (la máquina no podría estar equipada con el módulo ASR)

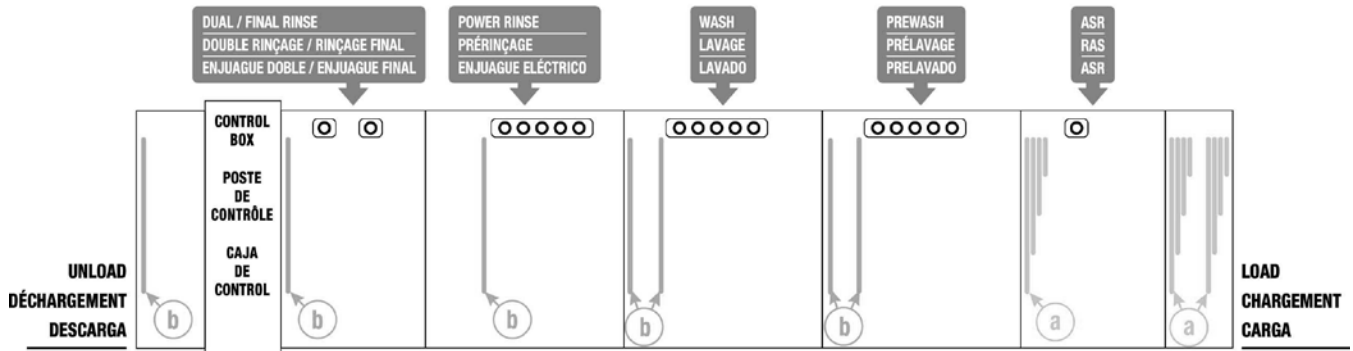
De izquierda a derecha

8' CENTER SECTION | ZONE CENTRALE DE 8 pi (2438 mm) | ZONA CENTRAL DE 8'



De derecha a izquierda

8' CENTER SECTION | ZONE CENTRALE DE 8 pi (2438 mm) | ZONA CENTRAL DE 8'



LEGEND | LÉGENDE | LEYENDA

a 4-PLY CURTAINS
RIDEAUX À 4 ÉPAISSEURS
CORTINAS DE 4 CAPAS

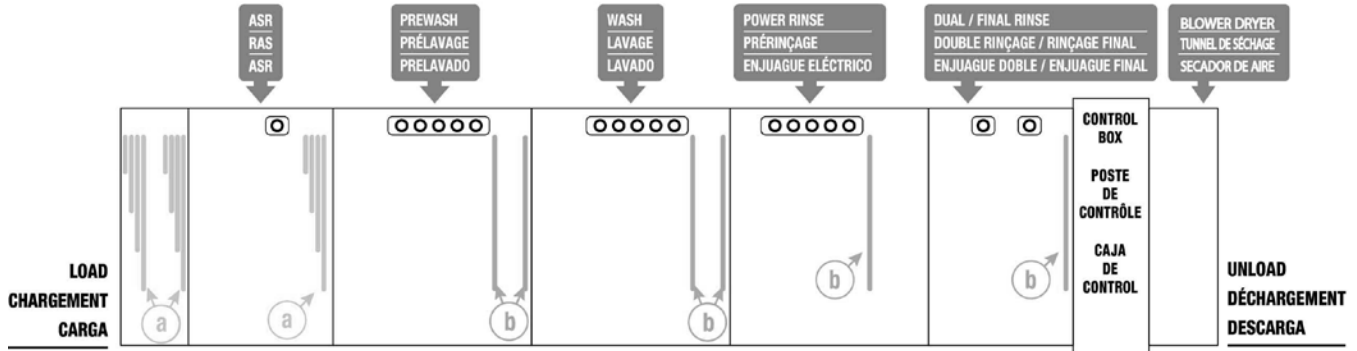
b LONG CURTAINS
RIDEAUX LONGS
CORTINAS GRANDES

c SHORT CURTAINS
RIDEAUX COURT
CORTINAS CORTAS

FT1000e-BAS & FT1000e-EGR (Con secador de aire, altura estándar)
 (la máquina no podría estar equipada con el módulo ASR)

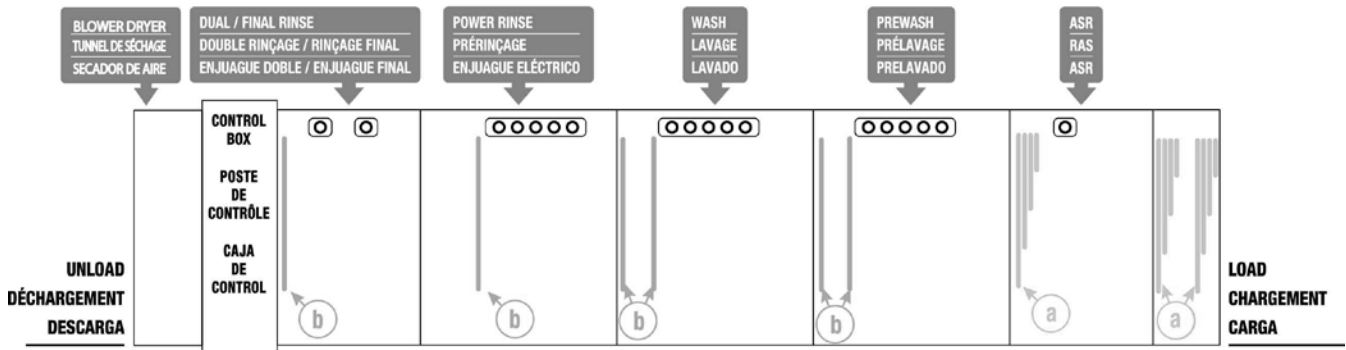
De izquierda a derecha

8' CENTER SECTION | ZONE CENTRALE DE 8 pi (2438 mm) | ZONA CENTRAL DE 8'



De derecha a izquierda

8' CENTER SECTION | ZONE CENTRALE DE 8 pi (2438 mm) | ZONA CENTRAL DE 8'



LEGEND | LÉGENDE | LEYENDA

a 4-PLY CURTAINS
 RIDEAUX À 4 ÉPAISSEURS
 CORTINAS DE 4 CAPAS

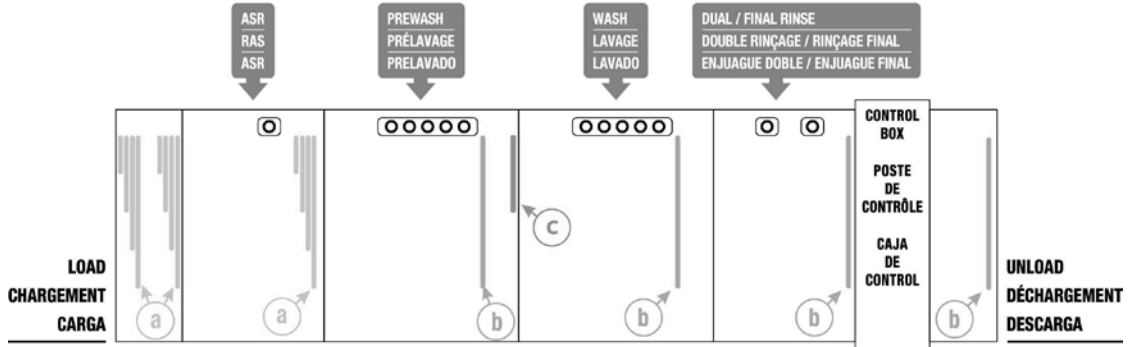
b LONG CURTAINS
 RIDEAUX LONGS
 CORTINAS GRANDES

c SHORT CURTAINS
 RIDEAUX COURT
 CORTINAS CORTAS

FT1000Se-BAS & FT1000Se-EGR (Altura estándar)
 (la máquina no podría estar equipada con el módulo ASR)

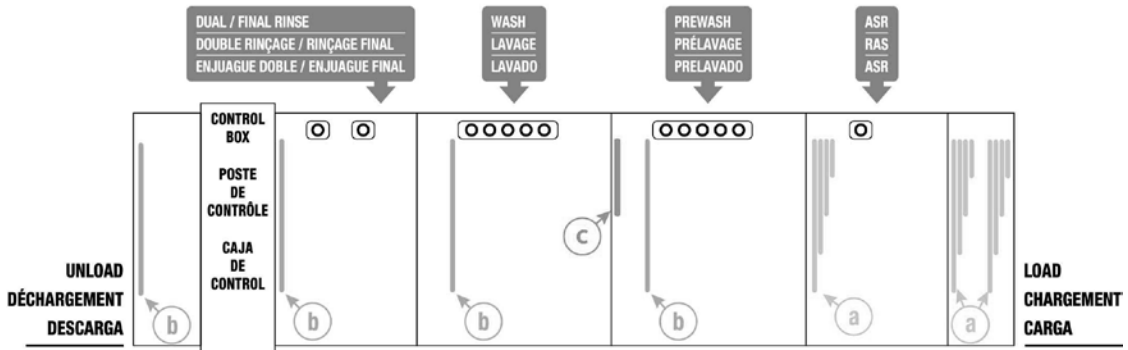
De izquierda a derecha

5' CENTER SECTION | ZONE CENTRALE DE 5 pi (1524 mm) | ZONA CENTRAL DE 5'



De derecha a izquierda

5' CENTER SECTION | ZONE CENTRALE DE 5 pi (1524 mm) | ZONA CENTRAL DE 5'



LEGEND | LÉGENDE | LEYENDA

a 4-PLY CURTAINS
 RIDEAUX À 4 ÉPAISSEURS
 CORTINAS DE 4 CAPAS

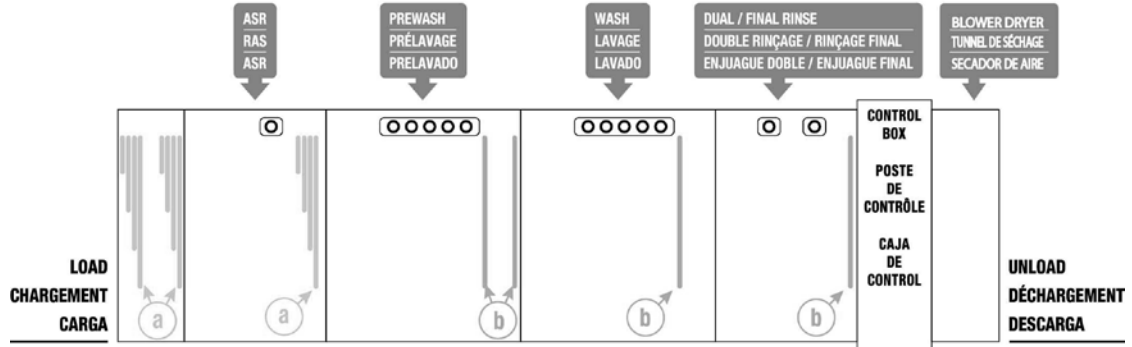
b LONG CURTAINS
 RIDEAUX LONGS
 CORTINAS GRANDES

c SHORT CURTAINS
 RIDEAUX COURT
 CORTINAS CORTAS

FT1000Se-BAS & FT1000Se-EGR (Con secador de aire, altura estándar)
 (la máquina no podría estar equipada con el módulo ASR)

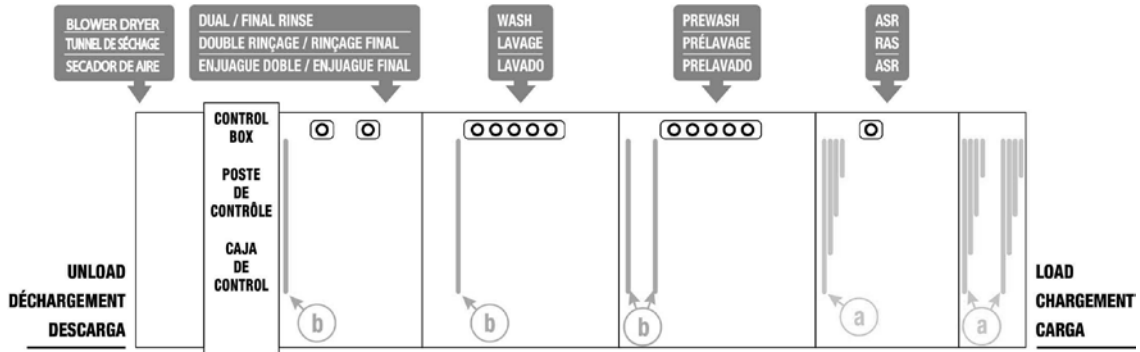
De izquierda a derecha

5' CENTER SECTION | ZONE CENTRALE DE 5 pi (1524 mm) | ZONA CENTRAL DE 5'



De derecha a izquierda

5' CENTER SECTION | ZONE CENTRALE DE 5 pi (1524 mm) | ZONA CENTRAL DE 5'



LEGEND | LÉGENDE | LEYENDA

a 4-PLY CURTAINS
 RIDEAUX À 4 ÉPAISSEURS
 CORTINAS DE 4 CAPAS

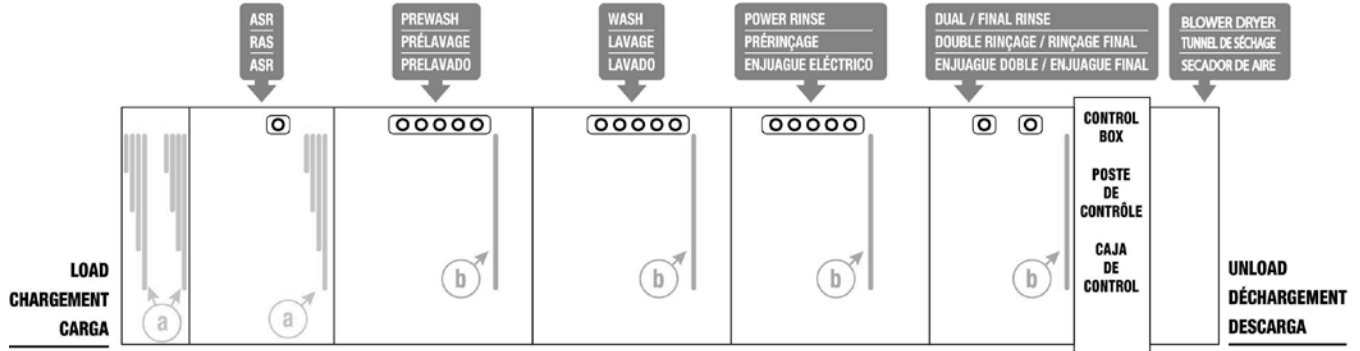
b LONG CURTAINS
 RIDEAUX LONGS
 CORTINAS GRANDES

c SHORT CURTAINS
 RIDEAUX COURT
 CORTINAS CORTAS

FT1000e-ADV

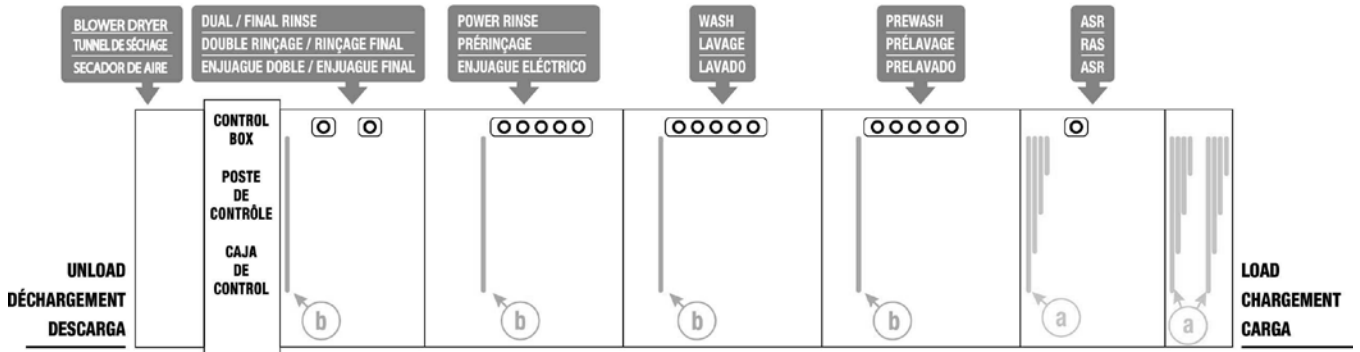
De izquierda a derecha

8' CENTER SECTION | ZONE CENTRALE DE 8 pi (2438 mm) | ZONA CENTRAL DE 8'



De derecha a izquierda

8' CENTER SECTION | ZONE CENTRALE DE 8 pi (2438 mm) | ZONA CENTRAL DE 8'



LEGEND | LÉGENDE | LEYENDA



4-PLY CURTAINS
RIDEAUX À 4 ÉPAISSEURS
CORTINAS DE 4 CAPAS



LONG CURTAINS
RIDEAUX LONGS
CORTINAS GRANDES

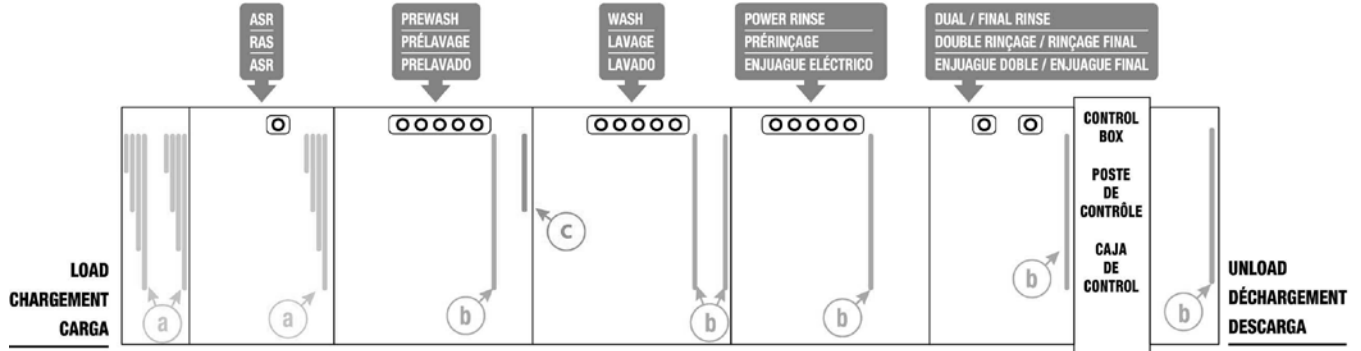


SHORT CURTAINS
RIDEAUX COURT
CORTINAS CORTAS

FT1000e-BAS & FT1000e-EGR (Más alto que el estándar)
 (la máquina no podría estar equipada con el módulo ASR)

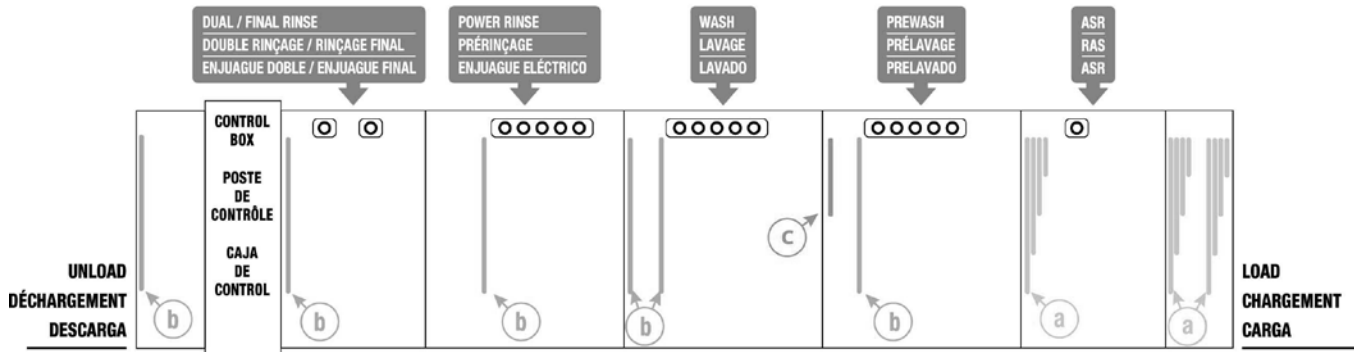
De izquierda a derecha

8' CENTER SECTION | ZONE CENTRALE DE 8 pi (2438 mm) | ZONA CENTRAL DE 8'



De derecha a izquierda

8' CENTER SECTION | ZONE CENTRALE DE 8 pi (2438 mm) | ZONA CENTRAL DE 8'



LEGEND | LÉGENDE | LEYENDA

a

4-PLY CURTAINS
 RIDEAUX À 4 ÉPAISSEURS
 CORTINAS DE 4 CAPAS

b

LONG CURTAINS
 RIDEAUX LONGS
 CORTINAS GRANDES

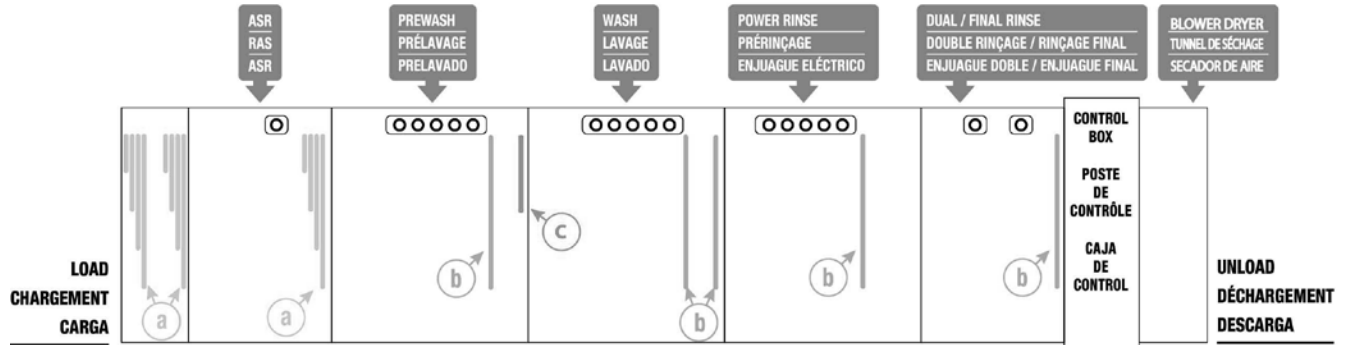
c

SHORT CURTAINS
 RIDEAUX COURT
 CORTINAS CORTAS

**FT1000e-BAS & FT1000e-EGR (Con secador de aire, más alto que el estándar)
(la máquina no podría estar equipada con el módulo ASR)**

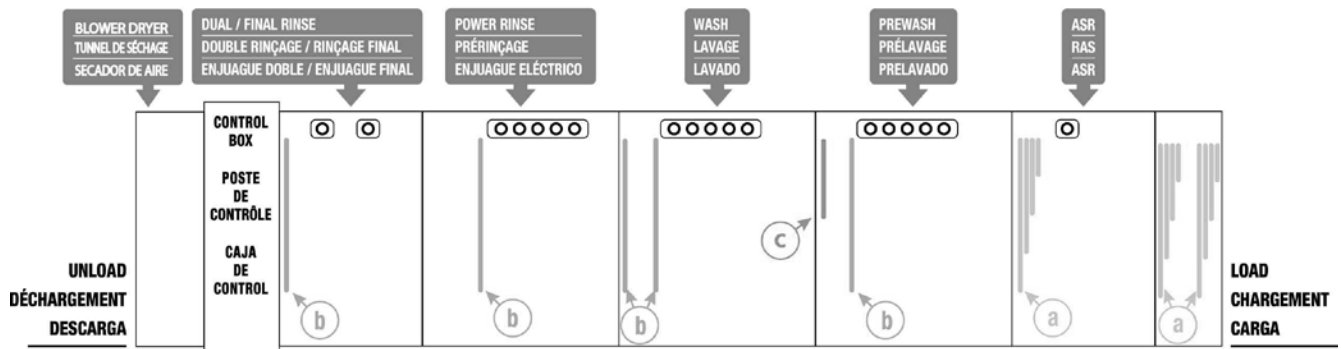
De izquierda a derecha

8' CENTER SECTION | ZONE CENTRALE DE 8 pi (2438 mm) | ZONA CENTRAL DE 8'



De derecha a izquierda

8' CENTER SECTION | ZONE CENTRALE DE 8 pi (2438 mm) | ZONA CENTRAL DE 8'

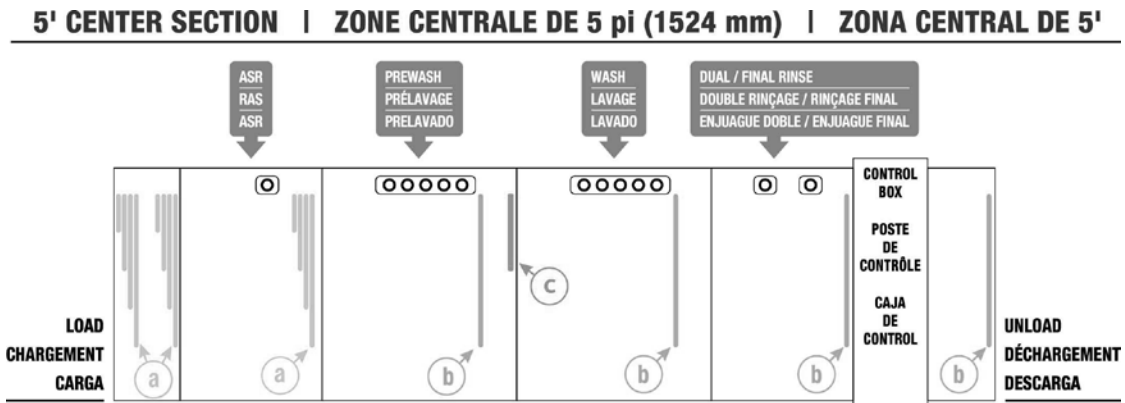


LEGEND | LÉGENDE | LEYENDA

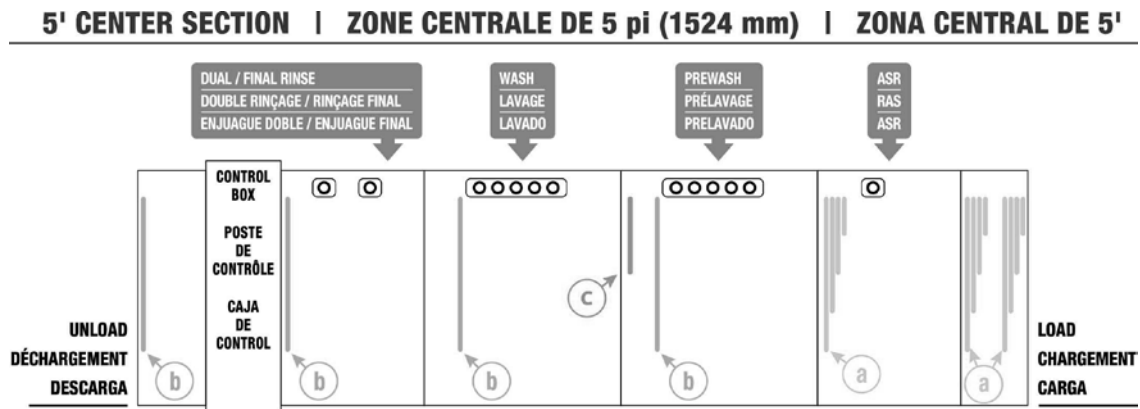
a	4-PLY CURTAINS RIDEAUX À 4 ÉPAISSEURS CORTINAS DE 4 CAPAS	b	LONG CURTAINS RIDEAUX LONGS CORTINAS GRANDES	c	SHORT CURTAINS RIDEAUX COURT CORTINAS CORTAS
----------	---	----------	--	----------	--

FT1000Se-BAS & FT1000Se-EGR (Más alto que el estándar)
 (la máquina no podría estar equipada con el módulo ASR)

De izquierda a derecha



De derecha a izquierda



LEGEND | LÉGENDE | LEYENDA

a 4-PLY CURTAINS
 RIDEAUX À 4 ÉPAISSEURS
 CORTINAS DE 4 CAPAS

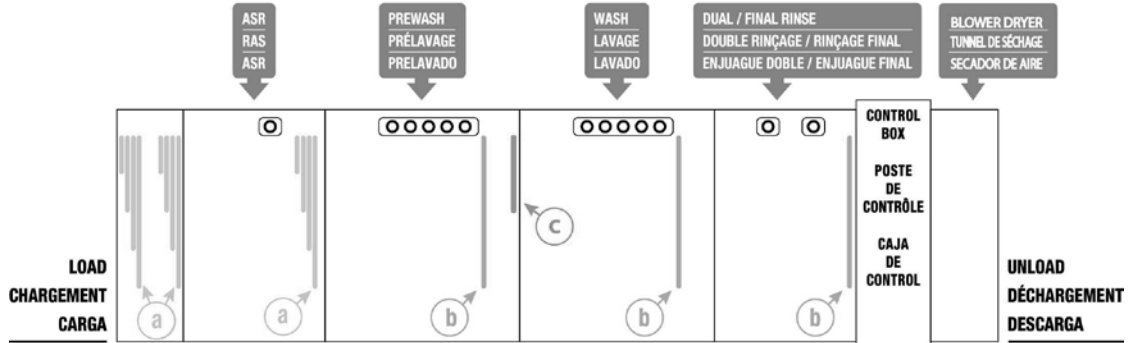
b LONG CURTAINS
 RIDEAUX LONGS
 CORTINAS GRANDES

c SHORT CURTAINS
 RIDEAUX COURT
 CORTINAS CORTAS

**FT1000Se-BAS & FT1000Se-EGR (Con secador de aire, más alto que el estándar)
(la máquina no podría estar equipada con el módulo ASR)**

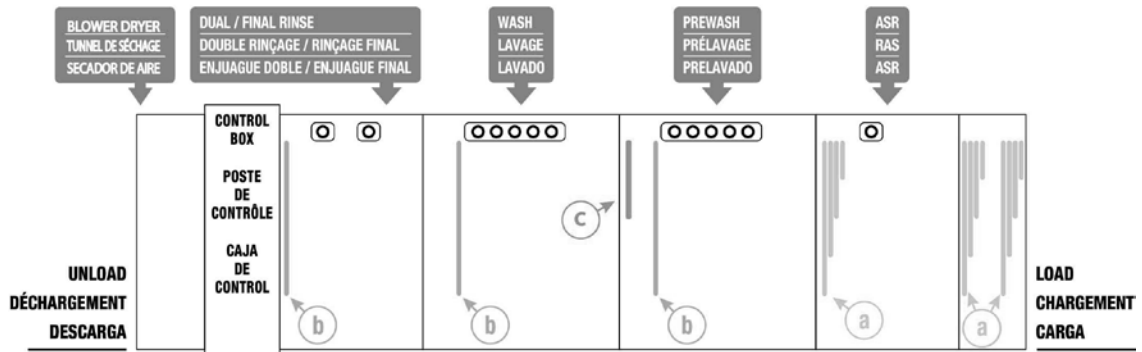
De izquierda a derecha

5' CENTER SECTION | ZONE CENTRALE DE 5 pi (1524 mm) | ZONA CENTRAL DE 5'



De derecha a izquierda

5' CENTER SECTION | ZONE CENTRALE DE 5 pi (1524 mm) | ZONA CENTRAL DE 5'



LEGEND | LÉGENDE | LEYENDA

a 4-PLY CURTAINS
RIDEAUX À 4 ÉPAISSEURS
CORTINAS DE 4 CAPAS

b LONG CURTAINS
RIDEAUX LONGS
CORTINAS GRANDES

c SHORT CURTAINS
RIDEAUX COURT
CORTINAS CORTAS

Brazos de prelavado, lavado y enjuague intenso

Asegúrese de que todos los brazos de lavado estén correctamente instalados y de que las correderas de los brazos de lavado estén cerradas. Las lengüetas laterales de los brazos caerán en las muescas de los soportes, si la instalación es correcta (Figura 50). Ajuste los soportes de bloqueo de los brazos inferiores si es necesario.



Fig. 50

Brazos de doble enjuague y de enjuague final

Asegúrese de que los brazos de doble enjuague y los de enjuague final estén instalados de manera adecuada (Figura 51).



Fig. 51

Brazos de extracción automática de suciedad (ASR), si están incluidos en el equipo

Asegúrese de que los brazos ASR estén instalados de manera adecuada (Figura 52).



Fig. 52

Paneles frontales del borde inferior y paneles traseros

Al instalar los paneles con borde inferior al frente del lavavajillas, empuje cada panel de un extremo a otro. Con la parte inferior del panel extendida en 45° (Figura 53), cuelgue su borde superior sobre los ganchos ubicados justo debajo de las puertas (Figura 54). Balancee la parte inferior del panel y cierre de golpe las pinzas del panel bajo la estructura.



Fig. 53



Fig.54

Al instalar los paneles traseros, empuje cada uno de un extremo a otro. Cuelgue el borde superior del panel sobre las lengüetas ubicadas en los paneles superiores del lavavajillas. Balancee la parte inferior del panel y cierre de golpe las pinzas del panel bajo la estructura.

Calibración del termostato del propulsor eléctrico

NOTA: este procedimiento se realiza una sola vez durante la configuración inicial.

NOTA: este procedimiento se debe realizar durante el proceso de 20 minutos de "Ajuste de la unidad de tensión de la cinta transportadora (sección de carga)" pagina 145.

NOTA: este procedimiento solo se llevará a cabo si el lavavajillas está operativo y el propulsor se puede activar con agua caliente de 41°C (105°F) como mínimo fluyendo dentro de él.

En el caso del recalentador interno Hobart, el termostato de control se debe calibrar según las condiciones locales del cliente. La calibración es automática mientras funciona el lavavajillas.

Para iniciar la calibración, asegúrese de que el disyuntor del circuito del propulsor esté en la posición "ENCENDIDO" y el suministro eléctrico en 24CON. Bloquee los ojos fotoeléctricos situados en el extremo de carga de la máquina. Arranque la máquina y déjela funcionar durante un mínimo de 20 minutos.

NOTA: no coloque utensilios o cualquier otro elemento sobre la cinta transportadora durante el procedimiento. Esto puede ocasionar que el brazo de fin de carrera se active y detenga el movimiento de la cinta transportadora. Si por alguna razón la cinta se detiene mientras dura el período de calibración de 20 minutos, el procedimiento deberá reiniciarse desde el comienzo para garantizar una calibración adecuada.

Luego de 20 minutos, desbloquee el detector fotográfico. Cuando el enjuague final se apague y la pantalla muestre "---" para la temperatura, detenga la cinta transportadora. Apague el lavavajillas presionando el botón POWER del teclado. Esto permite guardar los datos finalizando así la calibración automática.

Motor de engranaje de la cinta transportadora

Este motor viene embalado con aceite a un nivel adecuado en el reductor de velocidad. Los lubricantes están disponibles en la oficina local del servicio técnico de Hobart.

Configuración del indicador de eliminación de sarro

De acuerdo con la dureza y uso del agua en el enjuague final, el lavavajillas calculará e informará al operador cuando es el momento de eliminar el sarro. Consulte el manual de operaciones de FT1000e (F-41143) o el manual de servicio técnico de FT1000e (F-45735) para programar los parámetros de "Dureza del agua para eliminar sarro" y "Concentración para eliminación de sarro" basados en las condiciones específicas del agua utilizada por el cliente y en la solución para eliminar el sarro.

SERVICIO TÉCNICO

Si este lavavajillas requiere mantenimiento, comuníquese con la oficina local del servicio técnico de Hobart.

