

# OPERATION

## *FT800 SERIES DISHWASHERS*

### *LOADING*

*ML-33272 thru ML-33275  
ML-33780 thru ML-33783  
ML-38810 thru ML-38813  
ML-33942*

### *CENTER*

*ML-33270 thru ML-33271  
ML-38554 thru ML-38555  
ML-38814 thru ML-38815  
ML-103793 thru ML-103794  
ML-103798 thru ML-103799  
ML-110001 thru ML-110004  
ML-110037 thru ML-110040  
ML-33944*

### *UNLOADING*

*ML-33276 thru ML-33287  
ML-33827 thru ML-33830  
ML-33946*



EXECUTIVE OFFICES  
701 RIDGE AVENUE  
TROY, OHIO 45374-0001



# Operation and Care of FT800 SERIES DISHWASHERS

SAVE THESE INSTRUCTIONS

## OPERATION

### MACHINE PREPARATION

Raise the machine doors and install the strainer pans and strainer baskets (Fig. 1). Each strainer pan has a hole for pin alignment (Fig. 2) to ensure correct positioning. The loading section requires one pan and one basket. The center section may require one or two of each.

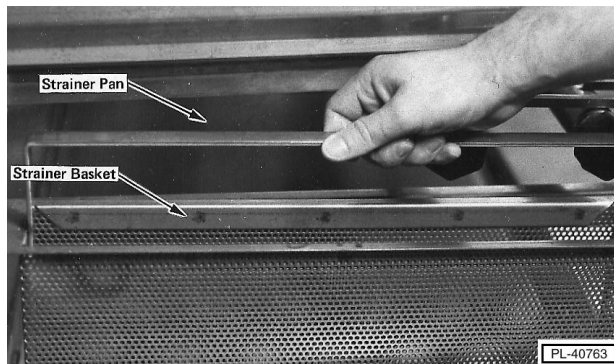


Fig. 1

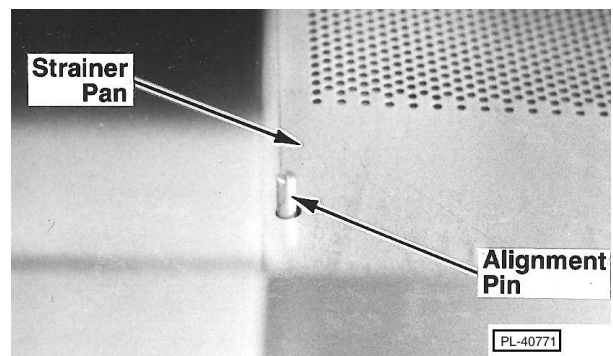
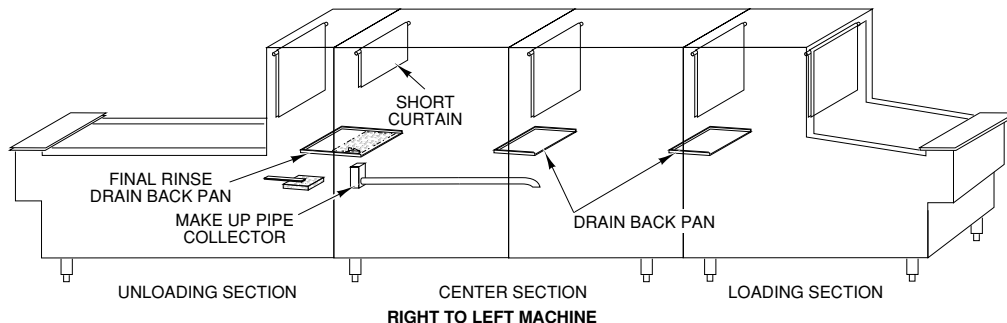
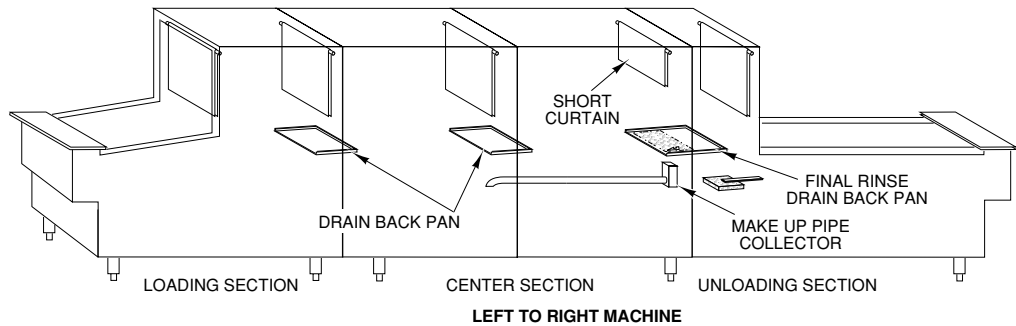


Fig. 2

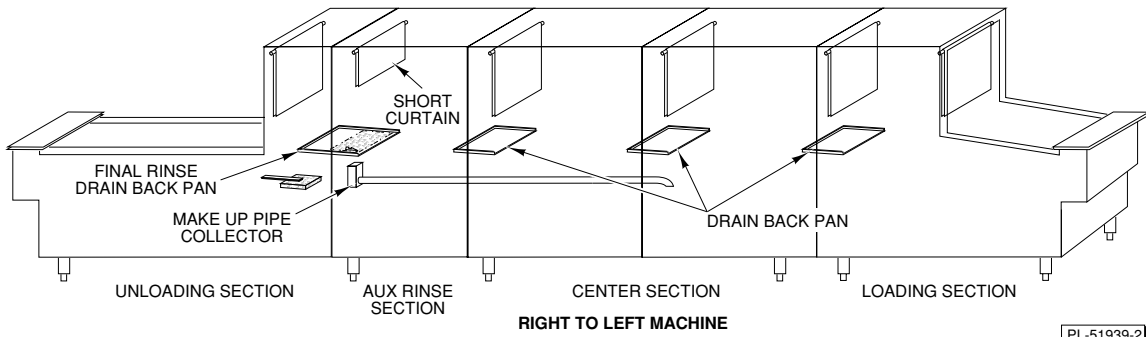
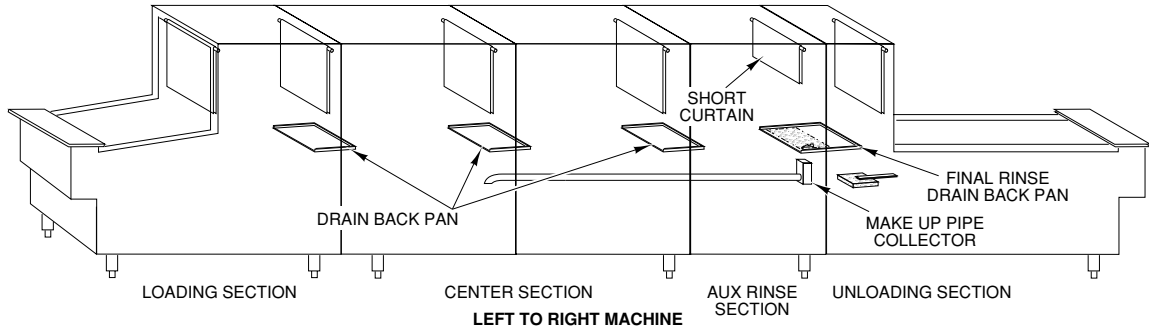
Make sure the drain cover, short and long curtains, and drain back pans are in their proper places according to the machine diagrams that follow, and close all machine doors.

### FT800 & FTM800



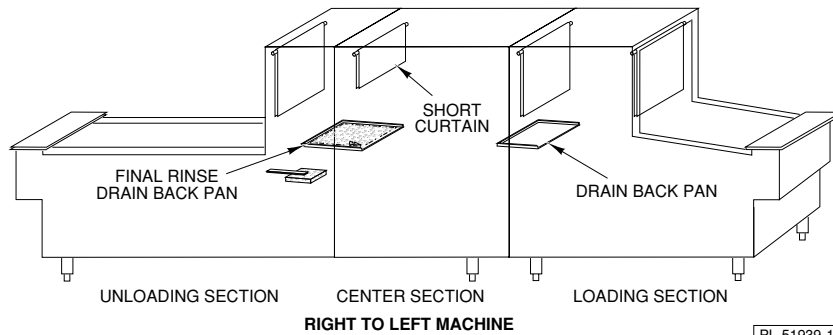
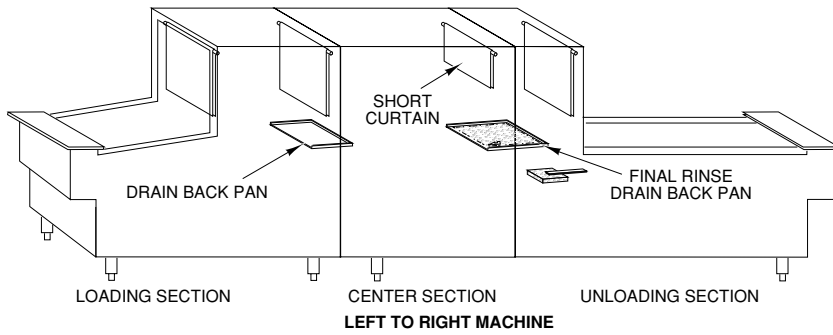
PL-51939-3

**FT800W & FTM800W**



PL-51939-2

**FT800S**



PL-51939-1

## FILL

Assure proper water hardness. Recommended range is 4 – 6 grains per gallon.

*On automatic initial fill machines (FT800 models), turn the Fill-Off-Run switch (Fig. 3) to the Fill position. The rinse, wash, and prewash tanks will fill to the proper level and then the water will automatically shut off. After the water shuts off, turn the Fill-Off-Run switch to the Run position.*

*On automatic fill machines (FT800S models), turn the On-Off switch (Fig. 4) to the On position. The wash and prewash tanks will fill, and the water will automatically shut off. The proper water level will be maintained throughout operation.*

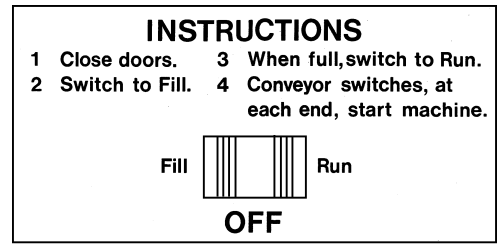
*On microprocessor-controlled machines (FTM800 models), make sure the mode switch (Fig. 5) is on Auto, then turn the power switch (Fig. 5) On. The rinse, wash, and prewash tanks will fill to the proper level. The water will automatically shut off after the tanks are filled. The proper water level will be maintained throughout operation.*

*On manual fill machines (FT800 models), open the fill valve on the center section (if machine is equipped with lower panels, an access door is provided), and allow all three tanks to fill. The prewash tank (loading section) will fill last with overflow water from the wash and rinse tanks (center section). After the prewash tank has filled to the overflow level, close the fill valve and turn the power switch (Fig. 6) On.*

## DISHWASHING

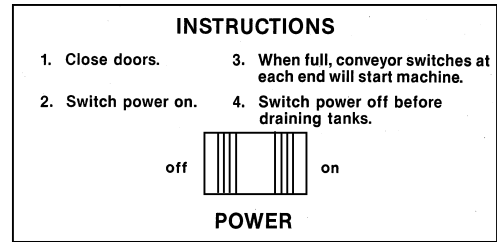
To start the conveyor and pumps on FT, FTW, & FT800S, press the black Conveyor Start switch (Fig. 7) at either end of the machine. To start the conveyor and pumps on FTM800 models, momentarily place your hand in front of the photoelectric sensor (at the entrance to the dishwasher). The conveyor will operate only when all machine doors are closed and the tanks are filled to the proper level. Pressing the red Conveyor Stop switch (Fig. 7) at either end of the machine stops the conveyor and pumps. If the machine is equipped with an Auto Timer (standard on FTM800, optional on FT800), the conveyor will automatically stop if no ware is washed for a preset length of time.

The strainer baskets must be emptied periodically during operation to prevent them from becoming clogged, which would adversely affect dishwasher operation.



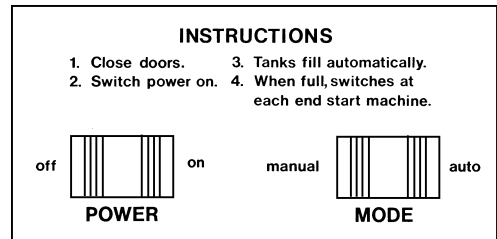
PL-40651

Fig. 3



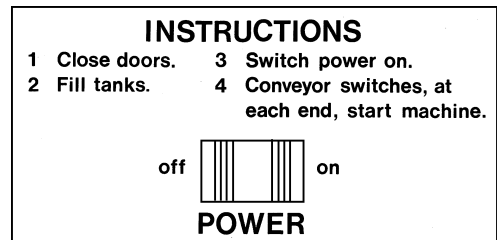
PL-40652

Fig. 4



PL-40653

Fig. 5



PL-40654

Fig. 6

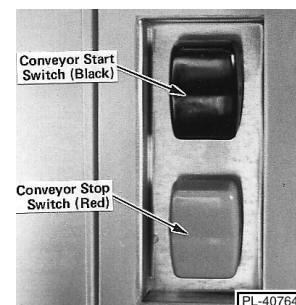


Fig. 7

## Loading

Pre-scrub dishes thoroughly to remove large food particles and debris. Never use steel wool on ware to be loaded into the dishmachine.

All plates, saucers, trays, etc. should be loaded on the conveyor in an inclined position. Bowls should be loaded upside down. Cups, glasses, and silverware should be washed in racks, although cups and glasses may be loaded directly on the conveyor.

DO NOT attempt to wash large items (pots, pans, trays, etc.) without first checking to make sure they will fit through the machine opening. Such items must not be washed in this dishwasher unless they will easily pass through it.

Do not allow foreign objects to enter the unit, especially metallic contaminants.

## Unloading

Remove dishes from the conveyor and stack similar items together. If an item is left on the conveyor, it will strike the conveyor trip assembly, immediately stopping the conveyor and pumps. Removing the object automatically restarts the conveyor.

## Recommended Minimum Temperatures

Recommended minimum temperatures are listed below.

	MINIMUM TEMPERATURES	
	Hot Water Sanitizing	Chemical Sanitizing
<b>FT800 / FTM800</b> WASH RINSE FINAL RINSE	150°F (66°C) 160°F (71°C) 180°F (82°C)	140°F (60°C) 140°F (60°C) 140°F (60°C)
<b>FT800W / FTM800W</b> WASH RINSE AUX RINSE FINAL RINSE	150°F (66°C) 160°F (71°C) 160°F (71°C) 180°F (82°C)	NA NA NA NA
<b>FT800S</b> WASH FINAL RINSE	160°F (71°C) 180°F (82°C)	NA NA

Thermometers (and/or Temperature Display on FTM800 models) monitor water temperatures and should be checked occasionally to assure that proper temperatures are being maintained.

## Temperature Display (FTM800 Models Only)

The temperatures on FTM800 models are displayed in sequence: Prewash, Wash, Rinse, and Final Rinse. A thermometer is provided for monitoring the Aux Rinse temperature. The FTM800 display includes a variety of operator messages, including troubleshooting information:

PROBLEM-MANUAL	Service is required. Place the mode switch on Manual if continued dishwasher operation is required. This will temporarily bypass the microprocessor controls until service can be obtained.
DOOR OPEN	Dishwasher will not operate unless all machine doors are closed.
UNLOAD CONVEYOR	Ware has reached the end of the dishwasher. Unload conveyor and continue operation.
FILLING	The fill valve is open.
DISHWASHER IDLE	All ware has passed through the dishwasher, and the conveyor and pumps have automatically shut off.
BLOWER/DRYER	Indicates the blower dryer (if equipped) is operating. The conveyor and pump motors have stopped.
MOTOR PROBLEM	The display will alternate between MOTOR PROBLEM and the appropriate motor (CONVEYOR, PREWASH, WASH, RINSE, or BLOWER/DRYER). If the conveyor motor is affected, the machine will stop. If one of the other motors is affected, the message will be displayed intermittently during operation. To resume proper operation, push the red reset button on the affected motor.
LOW WATER	This message, which indicates that an auto fill error has occurred, alternates with either PREWASH or WASH & RINSE. Turn the Power switch Off. Check for and clear any drain obstructions. Return Power to On.
CONVEYOR JAM	In the event of a conveyor jam, turn the Power switch Off. Clear the jam. Return the Power to On to resume operation.

If any error message or symptoms persist, contact your local Hobart Service Office.

## CLEANING

Use only products formulated to be safe on stainless steel.

The dishwasher MUST be thoroughly cleaned at the end of each working shift. Turn the Power switch Off before cleaning.

Open all machine doors and inspect the prewash, wash, and rinse arms (as well as the prewash flush arm) for nozzle obstructions. If any are present, use a toothpick or straightened paper clip to poke the object back into the arm. Remove the rubber end caps, and flush the arm(s) by closing the doors and momentarily running the conveyor. **Replace the rubber end caps.** On FTM800 models, momentarily place your hand in front of the photoelectric sensor (at the entrance to the dishwasher) to activate the pumps.

Drain the machine by lifting the drain lever (Fig. 8) in each of the three tanks.

When the tanks are empty, remove the curtains, strainer pans, and strainer baskets. Empty their contents and scrub them in a sink.

Using a high pressure hose, thoroughly cleanse and flush the dishwasher interior. Do not allow food soil to accumulate on the tank bottom.

Replace the strainer pans and strainer baskets. Allow the curtains to dry prior to reinstallation. Leave the machine doors open to allow the interior to air out and dry. Never use steel wool to clean warewasher surfaces.

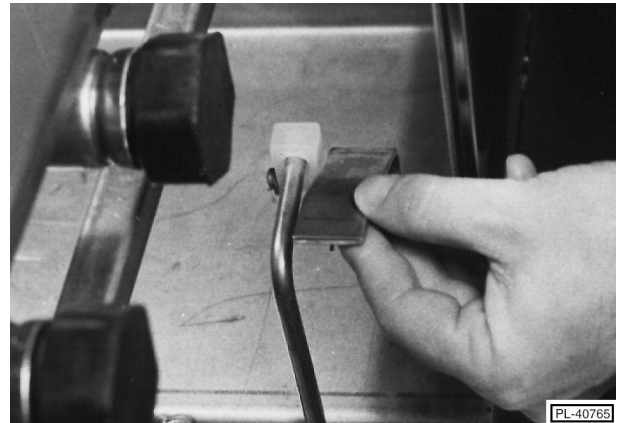


Fig. 8

### Prewash, Wash, and Rinse Arms

These arms, including the prewash flush arm, may be removed from the machine and thoroughly cleaned in a sink. When replacing them, be sure to install them in the correct locations. Prewash arms have two wash tubes, wash and rinse arms have four.

To install each of the upper arms, rest the manifold on the rear hanger bracket with the open end of the arm next to the wash pipe (Fig. 9), and rotate the arm upward to latch it as shown, (Fig. 10).

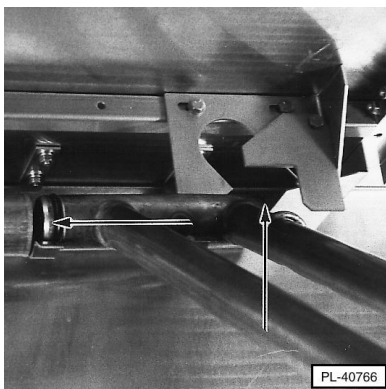


Fig. 9

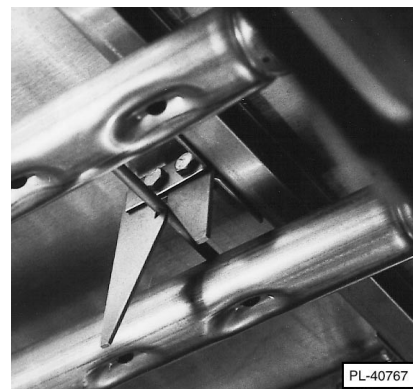


Fig. 10

To install each of the lower arms, reset the wash arm manifold on the chamber tie rod and slide the wash arm into the dishwasher until it stops. Rotate it away from the tie rod and then back so it rests on the support bracket (Fig. 11).

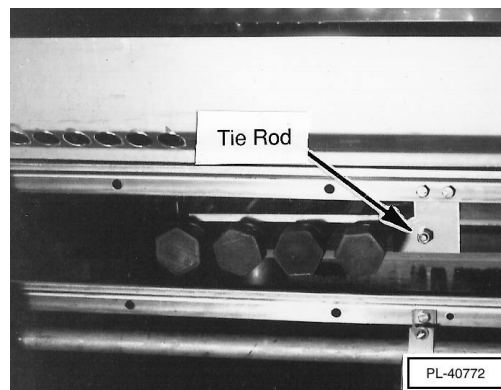


Fig. 11

### **DOs AND DON'Ts FOR YOUR NEW HOBART WAREWASHER**

**DO** assure proper water hardness.

**DO** pre-scrub dishes thoroughly.

**DO** use only detergents recommended by your chemical professional.

**DO** at the end of the day, thoroughly cleanse the machine, rinse, and dry (leave door open).

**DO** closely follow your chemical professional's prescribed deliming schedule.

**DO** use only products formulated to be safe on stainless steel.

**DO NOT** over soften water (recommended water hardness is no less than 4 grains per gallon).

**DO NOT** use detergents formulated for residential dishwashers.

**DO NOT** allow food soil to accumulate on the tank bottom.

**DO NOT** exceed chemical manufacturer's recommended concentrations for detergent, sanitizer, rinse aid, or lime scale remover.

**DO NOT** use steel wool to clean ware or warewasher surface.

**DO NOT** allow foreign objects to enter the unit, especially metallic contaminants.

**NOTE:** Failure to follow use, care, and maintenance instructions may void your Hobart warewasher warranty.

# MAINTENANCE

**WARNING:** DISCONNECT ELECTRICAL POWER SUPPLY AND PLACE A TAG AT THE DISCONNECT SWITCH INDICATING THAT YOU ARE WORKING ON THE CIRCUIT BEFORE PERFORMING ANY MAINTENANCE PROCEDURE.

## LUBRICATION

A list of acceptable lubricants, as well as the lubricants themselves, are available from your local Hobart Service Office.

### Motors

All motors have sealed bearings and require no lubrication maintenance.

### Speed Reducer

Identify the type of speed reducer used on your dishwasher from Figs. 12 or 13. Check the oil level in your speed reducer every six months by removing the gear case plug (Figs. 12 or 13). The oil level should be at the bottom of the plug hole. If your speed reducer is like the one in Fig. 12, use Mobilgear 634. If your speed reducer is like the one in Fig. 13, use Mobil SHC 629.

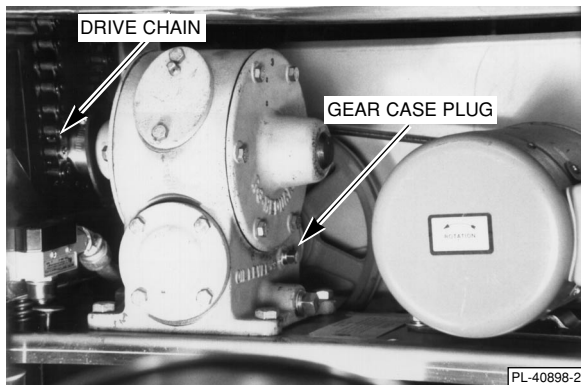


Fig. 12

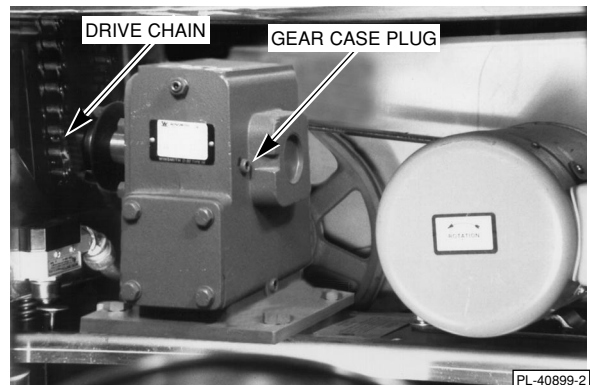


Fig. 13

### Conveyor Drive Chain

Inspect the drive chain (Figs. 12 or 13) regularly and lubricate as required with Oildag (supplied).

### Conveyor Sprocket Bearings

Located at the loading and unloading ends, these bearings should be lubricated every four months. Grease fittings (Fig. 14), one at each of the four bearings, and a grease gun are provided for this purpose.

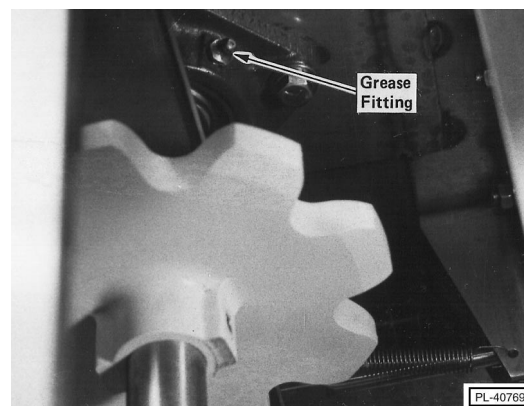


Fig. 14



