



CATALOG OF REPLACEMENT PARTS



FT900 SERIES DISHWASHER CENTER SECTION

ML-110668

**PRIOR MLS COVERED IN THIS
MANUAL**

ML-110676

ML-110677

ML-110703

ML-110704

ML-110705

ML-110706

ML-110738

ML-110739

ML-110740

ML-110741

ML-110883

ML-110884

**See F43147 for FT900 SERIES
DISHWASHER LOAD SECTION and See
F43149 for FT900 SERIES DISHWASHER
UNLOAD SECTION**

Table of Contents

7 COMMON CORRECTIONAL PACKAGE PARTS

9 CONTROL BOX COMPONENTS (PREVIOUS CONSTRUCTION)

11 CONTROL BOX (WITHOUT CIRCUIT BREAKERS) (PREVIOUS)

13 CONTROL BOX (WITH CIRCUIT BREAKERS) (PREVIOUS)

15 CIRCUIT BREAKERS (FT900 & FT900S) (OLD CONTROLS)

17 CIRCUIT BREAKERS (FT900W) (OLD CONTROLS)

19 LOWER BASE PLATE ASSEMBLY (ORIGINAL DESIGN - OLD CONTROLS)

21 LOWER BASE PLATE ASSEMBLY (SECOND DESIGN - OLD CONTROLS)

23 BOTTOM BASE PLATE ASSEMBLY (OLD CONTROLS)

25 UPPER BASE PLATE ASSEMBLY (OLD AND NEW CONTROLS)

27 CONTROL BOX (WITHOUT CIRCUIT BREAKERS) (CURRENT)

29 CONTROL BOX (WITH CIRCUIT BREAKERS) (CURRENT)

31 CIRCUIT BREAKERS (FT900 & FT900S) (NEW CONTROLS)

33 CIRCUIT BREAKERS (FT900D & FT900SD) (NEW CONTROLS)

35 CONTROL BOX (ENERGY RECOVERY)

37 CONTROL BOX (INTERLOCKS)

39 LOWER BASE PLATE ASSEMBLY (NEW CONTROLS)

41 BOTTOM BASE PLATE ASSEMBLY (NEW CONTROLS)

43 CONTROL BOX WIRE HARNESSSES

45 WASH/RINSE SYSTEM (PUMP & MOTOR)

47 WASH/RINSE SYSTEM (WASH ARMS)

49 WASH/RINSE SYSTEM (MANIFOLD)

51 FILL PIPING (UPPER) (3/4 IN. STYLE) (PREVIOUS CONSTRUCTION)

53 FILL PIPING (LOWER) (3/4 IN. STYLE) (PREVIOUS CONSTRUCTION)

57 FILL PIPING (1/2 IN. STYLE) (CURRENT CONSTRUCTION)

61 FINAL RINSE PIPING (PREVIOUS CONSTRUCTION)

63 FINAL RINSE ARMS (PREVIOUS CONSTRUCTION)

65 FINAL RINSE PIPING (OPTI-RINSE) (PREVIOUS CONSTRUCTION)

67 FINAL RINSE PIPING (OPTI-RINSE) (CURRENT CONSTRUCTION)

69 FINAL RINSE ARMS (OPTI-RINSE) (CURRENT CONSTRUCTION)

71 FINAL RINSE PIPING (DUAL RINSE) (FT900D & FT900SD)

73 AUXILIARY RINSE PIPING (FT900W)

75 FINAL RINSE ACTUATOR (PREVIOUS CONSTRUCTION)

77 SLIDING DOORS (WASH/RINSE SECTION)

79 CURTAINS, STRAINERS, AND BAFFLES (WASH/RINSE SECTION)

81 FULL DOOR LATCH

83 HINGED DOORS (WASH/RINSE SECTION)

85 HINGED DOORS ATTACHMENT (WASH/RINSE SECTION)

87 SLIDING DOORS (FT900W)

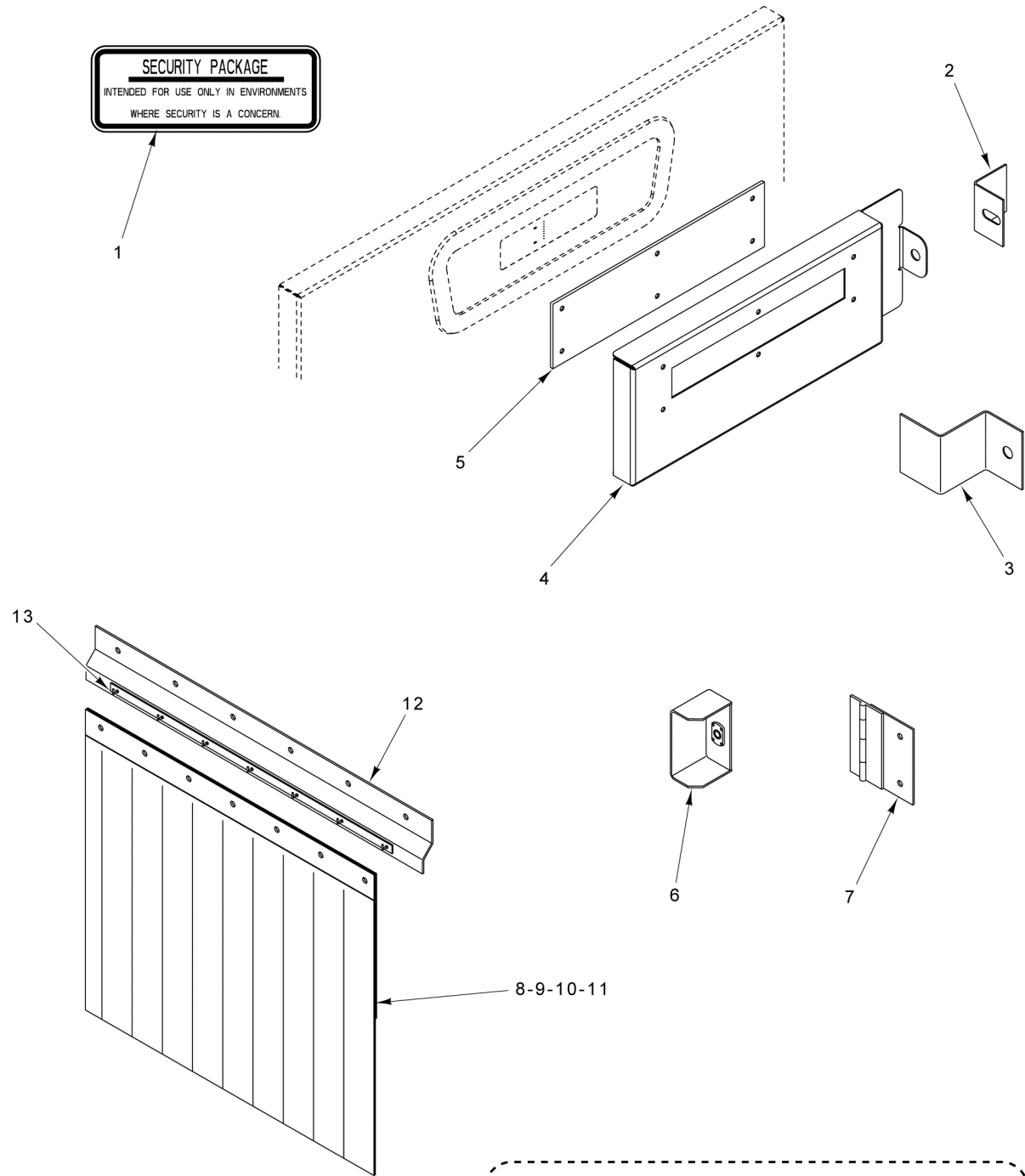
89 HINGED DOOR (DUAL RINSE SECTION)

91 HINGED DOOR ATTACHMENT (DUAL RINSE SECTION)

93 TRACKS (WASH/RINSE SECTION)

- 95 TRACKS (DUAL RINSE SECTION)
- 97 REAR PANELS (CENTER SECTION) (PREVIOUS CONSTRUCTION)
- 99 REAR PANELS (CENTER SECTION) (L-R) (CURRENT CONSTRUCTION)
- 101 REAR PANELS (CENTER SECTION) (R-L) (CURRENT CONSTRUCTION)
- 103 DRAINBACK PANS (FT900)
- 105 DRAINBACK PANS (FT900D)
- 107 DRAINBACK PANS (FT900S)
- 109 DRAINBACK PANS (FT900SD)
- 111 FINAL RINSE MAKEUP UNIT AND PAN (PREVIOUS)
- 113 FINAL RINSE MAKEUP UNIT AND PAN (CURRENT)
- 115 FINAL RINSE MAKEUP UNIT AND PAN (WASH) (FT900D)
- 117 FINAL RINSE MAKEUP UNIT AND PAN (RINSE) (FT900D AND FT900SD)
- 119 FLOW BACK UNIT (WASH/RINSE SECTION)
- 121 FLOW BACK UNIT (DUAL RINSE) (FT900D AND FT900SD)
- 123 DRAIN UNIT (WASH/RINSE SECTION)
- 125 DRAIN WATER TEMPERING
- 127 DRAIN, PUMP, AND TRACK (AUXILIARY TANK) (FT900W)
- 129 DRAIN AND PUMP (DUAL RINSE) (FT900D AND FT900SD) (PREVIOUS)
- 131 DRAIN AND PUMP (DUAL RINSE) (FT900D AND FT900SD) (CURRENT)
- 133 DAMPER ASSEMBLY
- 135 COIL ENCLOSURE (ENERGY RECOVERY)
- 137 COIL AND PIPING (ENERGY RECOVERY)
- 139 ELECTRIC HEATER (ONE TANK) (FT900 AND FT900W)
- 141 ELECTRIC HEATER (ONE TANK) (FT900D)
- 143 ELECTRIC HEATER (ONE TANK) (FT900S)
- 145 ELECTRIC HEATER (ONE TANK) (FT900SD)
- 147 ELECTRIC HEATER (DUAL RINSE) (FT900D & FT900SD)
- 149 ELECTRIC HEATER (AUXILIARY TANK) (FT900W)
- 151 PROBE BOX (LOW WATER PROTECTION) (STEAM HEAT)
- 153 PROBE BOX (DUAL RINSE) (FT900D AND FT900SD)
- 155 PROBE BOX (AUXILIARY TANK) (FT900W)
- 157 FLOAT BOX (DUAL RINSE) (FT900D)
- 159 STEAM COILS (TANK HEAT)
- 161 STEAM COIL PIPING (ONE TANK)
- 163 SINGLE STEAM INJECTOR (TANK HEAT)
- 165 DOUBLE STEAM INJECTOR (TANK HEAT)
- 167 SUPPLY PIPING (TANK HEAT) (DUAL RINSE)
- 169 PIPING (COMMON STEAM) (FT900 AND FT900D)
- 171 PIPING (COMMON STEAM) (SPLIT CENTER) (FT900 AND FT900D)
- 173 PIPING (COMMON STEAM) (FT900S AND FT900SD)
- 175 PIPING (COMMON STEAM) (FT900W)
- 177 PIPING (COMMON STEAM) (DOUBLE STEAM INJECTOR HEAT)
- 179 PIPING (COMMON STEAM) (DOUBLE) (FT900W)
- 181 FILL AND BOOSTER PIPING (HOT WATER) (ENERGY RECOVERY)

183 PIPING (BOOSTER INLET) (ENERGY RECOVERY)



14 00-271538-01-11 Torx Screw 1/4-20 x 1/2 (SST)
 15 00-473458 Undergrid Panels
PARTS NOT ILLUSTRATED

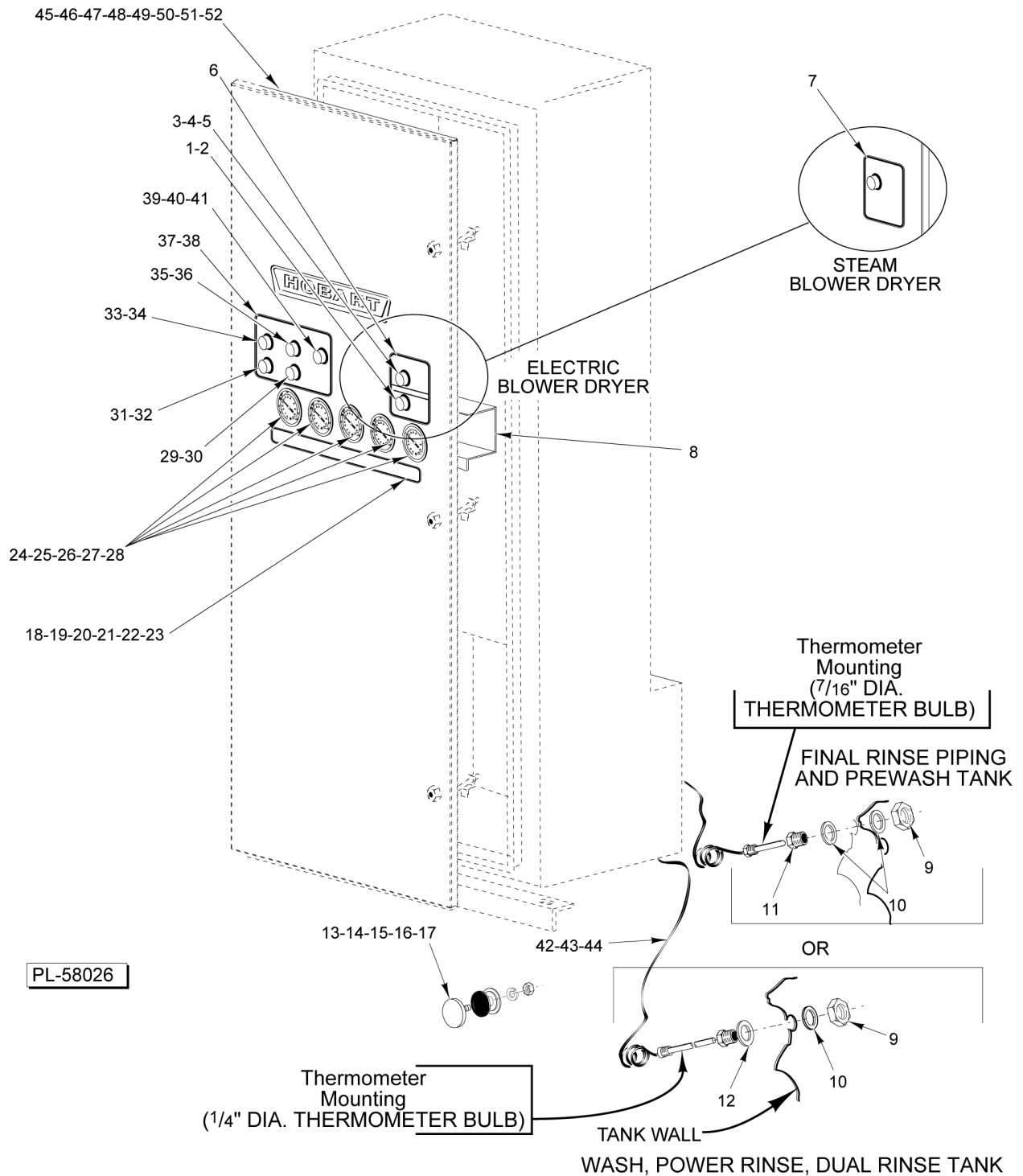
PARTS NOT SHOWN TO SCALE

PL-60922

COMMON CORRECTIONAL PACKAGE PARTS

COMMON CORRECTONAL PACKAGE PARTS

ILLUS.	PART NO.	NAME OF PART	AMT.
PL-60922			
1	00-919920	Label (Security Package).....	1
2	00-270428-002-2	Clasp - Control Box.....	2
3	00-270428-009-1	Bracket - Control Box (Locking).....	2
4	00-936339-00001	Cover - Controls (New Controls) (Incls. Item 5).....	1
5	00-328364-00019	Cover - Lexan (Old and New Controls).....	1
6	00-912310-00001	Clips - Retaining (Panel).....	AR
7	00-328513-028-1	Hinge Lock (Top Panel).....	AR
8	00-328364-001-1	Curtain - Short (Standard).....	AR
9	00-328364-015-2	Curtain - Long (Standard).....	AR
10	00-328364-015-1	Curtain - Long (HTS).....	AR
11	00-328364-001-1	Curtain - Short (HTS).....	AR
12	00-328364-00016	Hanger - Curtain (Incls. Item 13).....	AR
13	00-328364-007-1	Hanger (Weld-In).....	AR
14	00-271538-01-11	Torx Screw 1/4-20 x 1/2 (SST).....	AR
15	00-473458	Undergrid Panels (Call Service for availability).....	AR

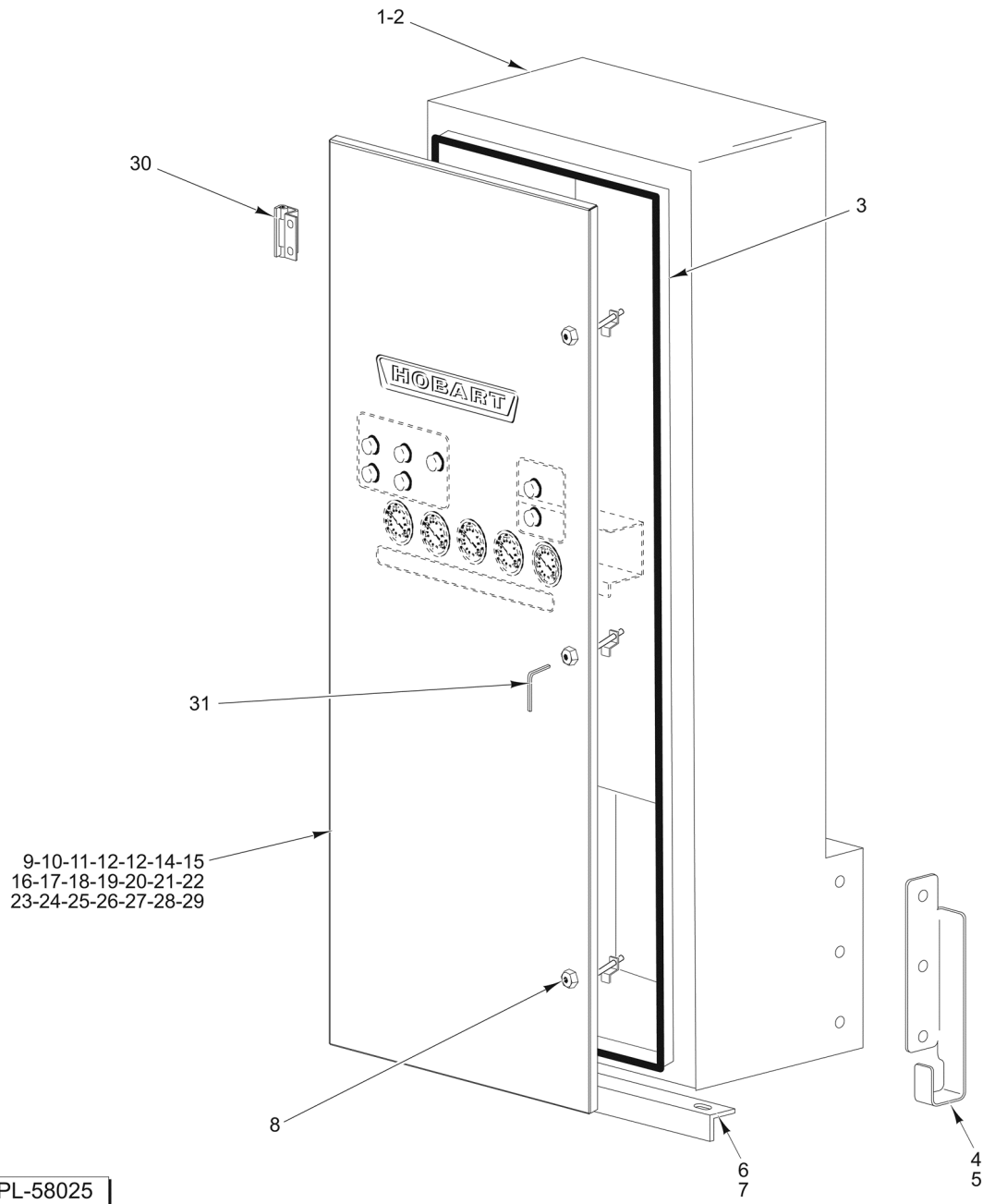


**CONTROL BOX COMPONENTS
(PREVIOUS CONSTRUCTION)**

CONTROL BOX COMPONENTS (PREVIOUS CONSTRUCTION)

ILLUS. PL-58026	PART NO.	NAME OF PART	AMT.
1	00-749974-00003	Module - Light (120 V. In, 12 V. Out) (Red LED).....	1
2	00-749975-00003	Lens - Pilot Light (Red) (Electric Blower Dryer).....	1
*3	00-087711-299-1	Switch - Block (Momentary, W/Light) (Blower Dryer) (Original Design).....	1
4	00-749899	Switch - Block (Momentary, W/Light) (Blower Dryer) (Second Design).....	1
*5	00-749898	Button - Push Lighted (Amber) (Blower Dryer) (Second Design).....	1
6	00-438131-00149	Label - Electric Blower Dryer.....	1
*7	00-748023	Label - Steam Blower Dryer (Previous Construction).....	1
8	00-476862	Cover - Thermometer.....	1
9	FP-053-05	Pipe Lock Nut 1/2 NPSL (SST).....	AR
10	WS-012-40	Washer (SST).....	AR
11	00-107218	Coupling - Thermometer Bulb.....	AR
12	00-748603	Washer 0.844 x 1.375 x 0.059 (Thermometer).....	AR
13	00-119244-00002	Cap & Stud Assembly.....	1
14	00-067500-00031	O-Ring.....	1
15	00-119254	Retainer - Cap & Stud.....	1
16	WL-006-17	Lockwasher 1/4 Helical (SST).....	1
17	NS-015-01	Nut 1/4-20 Hex (SST).....	1
18	00-476562	Label - Thermometer (FT900, L-R).....	1
19	00-476561	Label - Thermometer (FT900, R-L).....	1
20	00-476598	Label - Thermometer (FT900S, L-R).....	1
21	00-476599	Label - Thermometer (FT900S, R-L).....	1
22	00-748918	Label - Thermometer (FT900W, R-L).....	1
23	00-748917	Label - Thermometer (FT900W, L-R).....	1
24	00-748516-00002	Thermometer 11 Ft. (1/4 Dia. Capillary Bulb) (FT900, FT900S, & FT900W) (Incls. Bushing).....	AR
25	00-748516-00003	Thermometer 15 Ft. (1/4 Dia. Capillary Bulb) (FT900 & FT900S) (Incls. Bushing).....	AR
26	00-748516-00004	Thermometer 23 Ft. (1/4 Dia. Capillary Bulb) (FT900 & FT900W) (Incls. Bushing).....	AR
27	00-437041-00005	Thermometer 15 Ft. (7/16 Dia. Capillary Bulb) (FT900 & FT900S).....	AR
28	00-437041-00006	Thermometer 23 Ft. (7/16 Dia. Capillary Bulb) (FT900 & FT900W).....	AR
29	00-749992	Button - Push (Extended) (Red) (Original Design).....	1
30	00-749986-00003	Block - Contact (Stop) (Original Design).....	1
31	00-749974-00001	Module - Light (120 V. In, 12 V. Out).....	1
32	00-749975-00001	Lens - Pilot Light (Blue).....	1
33	00-749898	Button - Push Lighted (Amber).....	1
34	00-749899	Switch - Block.....	1
35	00-892001	Button - Push (Flush) (Green) (Original Design).....	1
36	00-749986-00004	Block - Contact (Start) (Original Design).....	1
37	00-748022	Label - Controls (Original Design).....	1
38	00-893699	Label - Controls (Second Design).....	1
39	00-749974-00002	Module - Light (120 V. In, 12 V. Out) (Original Design).....	1
40	00-749975-00002	Lens - Pilot Light (Green) (Original Design).....	1
41	00-476641-00001	Bulb (6 V.) (Use W/Items 1, 3, 31, 34, & 39) (Original Design).....	AR
42	00-476751-00008	Cable Assy. - Right Tank Temperature Probe (R-L).....	1
43	00-476751-00007	Cable Assy. - Left Tank Temperature Probe (R-L & L-R).....	1
44	00-476751-00011	Cable Assy. - Right Tank Temperature Probe (L-R).....	1
45	00-748033	Retainer - Control Box.....	1
46	00-186075	Grommet.....	3
47	00-476856	Label - Instruction - Detergent Feed-Opt.....	1
48	00-476857	Label - Instruction - Detergent Feed.....	1
49	00-476858	Label - Instruction - Conveyor Stop.....	1
50	00-918419	Label - Instruction - Cleaning.....	1
51	00-476860	Label - Instruction - Pre-Op Check (Previous Construction).....	1
52	00-918418	Label - Instruction - Pre-Op Check (Current Construction).....	1

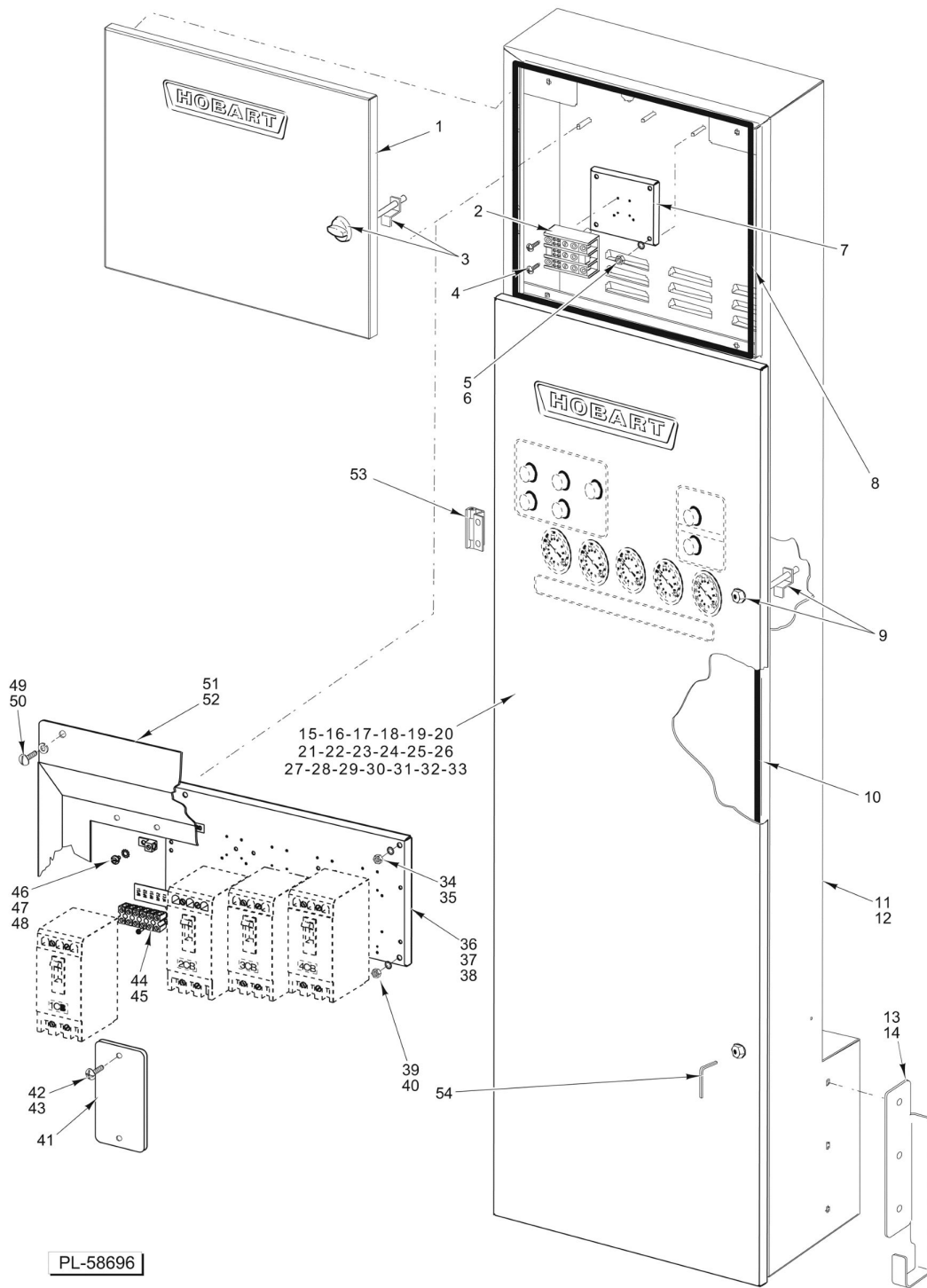
* Use with machines provided with blower dryer on/off switch only.



**CONTROL BOX
(WITHOUT CIRCUIT BREAKERS) (PREVIOUS)**

**CONTROL BOX
(WITHOUT CIRCUIT BREAKERS) (PREVIOUS)**

ILLUS. PL-58025	PART NO.	NAME OF PART	AMT.
1	00-475939	Control Box (Original Design).....	1
2	00-892987	Control Box (Second Design).....	1
3	00-476871-00002	Gasket - Control Box (Without Circuit Breakers).....	1
4	00-476908-00001	Bracket - Discharge Panel (R-L).....	1
5	00-476908-00002	Bracket - Discharge Panel (L-R).....	1
6	00-475876-00002	Bracket - Control Box Support (R-L) (28-13/16 In.).....	1
7	00-475876-00003	Bracket - Control Box Support (L-R) (25-13/16 In.).....	1
8	00-476582-00002	Latch - Control Box (Hex Type).....	3
9	00-475937-00002	Door - Control Box (FT900S) (Original Design).....	1
10	00-893697-00003	Door - Control Box (FT900S) (Second Design).....	1
11	00-748876-00004	Door - Control Box (FT900S) (With Electric Blower Dryer) (Original Design).....	1
12	00-893697-00004	Door - Control Box (FT900S) (With Electric Blower Dryer) (Second Design).....	1
13	00-748876-00003	Door - Control Box (FT900S) (Original Design).....	1
14	00-475937-00006	Door - Control Box (FT900) (Original Design).....	1
15	00-893697-00001	Door - Control Box (FT900) (Second Design).....	1
16	00-892989-00002	Door - Control Box (FT900) (With Electric Blower Dryer) (Original Design).....	1
17	00-893697-00002	Door - Control Box (FT900) (With Electric Blower Dryer) (Second Design).....	1
18	00-748876-00001	Door - Control Box (FT900) (Original Design).....	1
19	00-475937-00009	Door - Control Box (FT900) (Original Design).....	1
20	00-748876-00002	Door - Control Box (FT900) (Original Design).....	1
21	00-893697-00005	Door - Control Box (FT900W) (Second Design).....	1
22	00-748876-00006	Door - Control Box (FT900W) (With Electric Blower Dryer) (Original Design).....	1
23	00-892989-00006	Door - Control Box (FT900W) (With Electric Blower Dryer) (Second Design).....	1
24	00-892989-00005	Door - Control Box (FT900W) (Without Electric Blower Dryer) (Second Design).....	1
25	00-748876-00005	Door - Control Box (FT900W) (Original Design).....	1
26	00-893697-00006	Door - Control Box (With Blower Dryer) (FT900W) (Second Design).....	1
27	00-892989-00003	Door - Control Box (FT900S) (Without Blower Dryer) (Original Design).....	1
28	00-892989-00004	Door - Control Box (FT900S) (With Electric Blower Dryer) (Original Design).....	1
29	00-892989-00001	Door - Control Box (FT900) (Without Electric Blower Dryer) (Original Design).....	1
30	00-475945	Hinge - Door (Welded to Door).....	AR
31	00-749430	NLA - Obsolete--Tool - Hex Key (Door Opener).....	AR



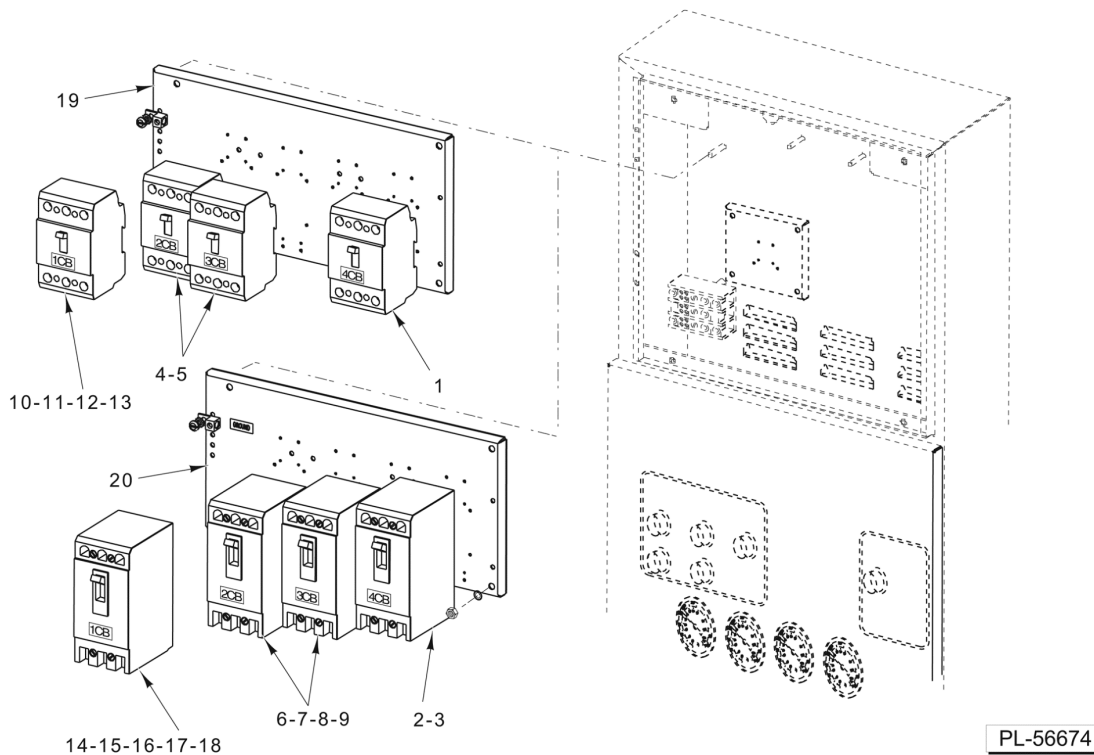
PL-58696

**CONTROL BOX
(WITH CIRCUIT BREAKERS) (PREVIOUS)**

**CONTROL BOX
(WITH CIRCUIT BREAKERS) (PREVIOUS)**

ILLUS. PL-58696	PART NO.	NAME OF PART	AMT.
1	00-476731	Door - Upper Control Box.....	1
2	00-122629	Block - Terminal (Electric Heat With Circuit Breakers).....	1
3	00-476582-00003	Latch - Control Box Knob Type.....	1
4	SD-008-25	Self-Tapping Screw 10-16 x 1/2 Phil. Pan Hd., Type B.....	4
5	WL-007-15	Lockwasher 1/4 External Shakeproof.....	2
6	NS-031-21	Stop Nut 1/4-20 Hex (SST).....	4
7	00-476524	Base Plate - Terminal Block.....	1
8	00-476871-00003	Gasket - Upper Control Box.....	1
9	00-476582-00002	Latch - Control Box (Hex Type).....	2
10	00-476871-00004	Gasket - Lower Control Box.....	1
11	00-476753	Control Box (With Circuit Breakers) (Original Design).....	1
12	00-892991	Control Box (With Circuit Breakers) (Second Design).....	1
13	00-476908-00001	Backer - Discharge Panel (R-L).....	1
14	00-476908-00002	Backer - Discharge Panel (L-R).....	1
15	00-476732-00002	Door - Control Box (FT900) (With Steam Blower Dryer) (Original Design).....	1
*16	00-476732-00002	Door - Control Box (FT900) (Steam Blower Dryer).....	1
*17	00-748877-00001	Door - Control Box (FT900) (W/O Blower Dryer).....	1
*18	00-748877-00001	Door - Control Box (FT900) (Steam Blower Dryer).....	1
19	00-748877-00002	Door - Control Box (FT900) (With Electric Blower Dryer) (Original Design).....	1
20	00-893698-00001	Door - Control Box (FT900) (Second Design).....	1
*21	00-476732-00006	Door - Control Box (FT900 & FT900W) (Blower Dryer).....	1
*22	00-476732-00009	Door - Control Box (FT900 & FT900W) (Electric Blower Dryer).....	1
23	00-748877-00003	Door - Control Box (FT900S) (W/O Blower Dryer) (Original Design).....	1
24	00-893698-00003	Door - Control Box (FT900S) (Second Design).....	1
25	00-748877-00003	Door - Control Box (FT900S) (With Steam Blower Dryer) (Original Design).....	1
26	00-748877-00004	Door - Control Box (FT900S) (With Electric Blower Dryer) (Original Design).....	1
27	00-893698-00004	Door - Control Box (FT900S) (With Blower Dryer) (Second Design).....	1
28	00-476732-00007	Door - Control Box (FT900W) (With Electric Blower Dryer) (Original Design).....	1
29	00-748877-00006	Door - Control Box (FT900W) (With Electric Blower Dryer) (Original Design).....	1
30	00-893698-00002	Door - Control Box (FT900W) (With Electric Blower Dryer) (Second Design).....	1
31	00-893698-00006	Door - Control Box (FT900W) (With Electric Blower Dryer) (Second Design).....	1
32	00-748877-00005	Door - Control Box (FT900W) (Without Blower Dryer/Steam Blower Dryer) (Original Design).....	1
33	00-893698-00005	Door - Control Box (FT900W) (Second Design).....	1
34	WL-007-15	Lockwasher 1/4 External Shakeproof.....	2
35	NS-031-21	Stop Nut 1/4-20 Hex (SST).....	4
36	00-748813	Base Plate - Upper Control Box.....	1
37	NS-015-01	Nut 1/4-20 Hex (SST).....	12
38	WS-003-47	Washer (SST).....	4
39	WL-007-15	Lockwasher 1/4 External Shakeproof.....	2
40	NS-031-21	Stop Nut 1/4-20 Hex (SST).....	4
41	00-476766	Cover Plate.....	AR
42	SC-066-06	Mach. Screw 10-24 x 1/2 Phil. Truss Hd. (SST).....	AR
43	NS-031-15	Stop Nut 10-24 Hex (SST).....	AR
44	SD-019-29	Self-Tapping Screw 6-20 x 1/2 Phil. Pan Hd., Type B.....	2
45	00-294325-013-2	Block - Terminal (Over 250 V.).....	1
46	00-118544-00002	Lug - Grounding.....	AR
47	SD-035-77	Self-Tapping Screw 1/4-20 x 3/8 Phil. Pan Hd., Type TT.....	AR
48	WL-007-15	Lockwasher 1/4 External Shakeproof.....	AR
49	SC-053-41	Mach. Screw 1/4-20 x 1/2 Slotted Truss Hd. (SST).....	4
50	WL-006-17	Lockwasher 1/4 Helical (SST).....	4
51	00-476701	Cover - Circuit Breaker (Low Voltage).....	1
52	00-476700	Cover - Circuit Breaker (High Voltage).....	1
53	00-475945	Hinge - Door (Welded to Door).....	AR
54	00-749430	NLA - Obsolete--Tool - Hex Key (Door Opener).....	AR

* (Prewash Thermometer) (Original Design)



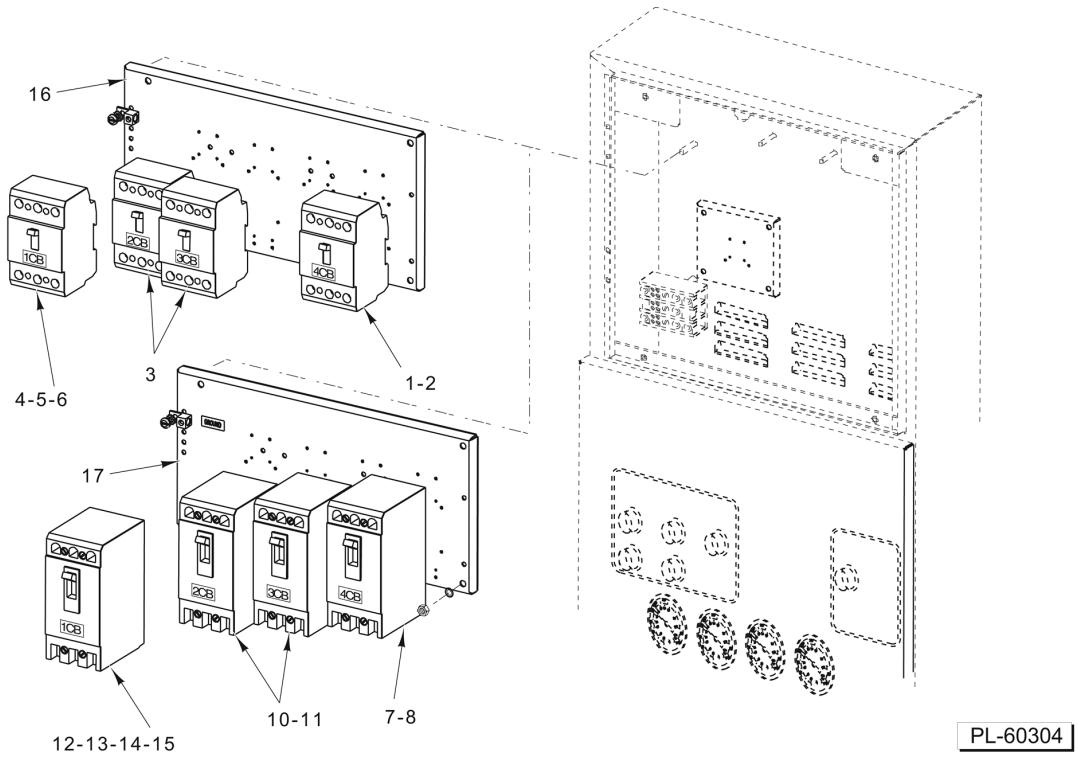
MACHINE	USAGE	Under 250 V.				380-480 V.				600 V.			
		4CB	3CB	2CB	1CB	4CB	3CB	2CB	1CB	4CB	3CB	2CB	1CB
FT900	Electric Heat	OMIT	4	4	10	OMIT	6	6	14	OMIT	8	8	17
FT900	Electric Heat & Blower Dryer	1	4	4	11	2	6	6	15	3	8	8	14
FT900	Electric Heat & Flush Pump	OMIT	4	4	11	OMIT	6	6	15	OMIT	8	8	14
FT900	Electric Heat, Blower Dryer, & Flush Pump	1	4	4	12	2	6	6	16	3	8	8	14
FT900	Steam Heat	OMIT	OMIT	OMIT	10	OMIT	OMIT	OMIT	14	OMIT	OMIT	OMIT	17
FT900	Steam Heat & Blower Dryer	OMIT	OMIT	OMIT	11	OMIT	OMIT	OMIT	15	OMIT	OMIT	OMIT	14
FT900	Steam Heat & Flush Pump	OMIT	OMIT	OMIT	11	OMIT	OMIT	OMIT	15	OMIT	OMIT	OMIT	14
FT900	Steam Heat, Blower Dryer, & Flush Pump	OMIT	OMIT	OMIT	12	OMIT	OMIT	OMIT	16	OMIT	OMIT	OMIT	14
FT900S	Electric Heat	OMIT	5	5	13	OMIT	7	7	17	OMIT	9	9	18
FT900S	Electric Heat & Blower Dryer	1	5	5	10	2	7	7	14	3	9	9	17
FT900S	Steam Heat	OMIT	OMIT	OMIT	13	OMIT	OMIT	OMIT	17	OMIT	OMIT	OMIT	18
FT900S	Steam Heat & Blower Dryer	OMIT	OMIT	OMIT	10	OMIT	OMIT	OMIT	14	OMIT	OMIT	OMIT	17

**CIRCUIT BREAKERS
(FT900 & FT900S)
(OLD CONTROLS)**

**CIRCUIT BREAKERS
(FT900 & FT900S)
(OLD CONTROLS)**

ILLUS.	PART NO.	NAME OF PART	AMT.
PL-56674			
*1	00-476251-00011	Breaker - Circuit (80 Amp.).....	AR
*2	00-476250-00004	Breaker - Circuit (40 Amp.).....	AR
*3	00-476250-00001	Breaker - Circuit (25 Amp.).....	AR
*4	00-476251-00013	Breaker - Circuit (100 Amp.).....	AR
*5	00-476251-00011	Breaker - Circuit (80 Amp.).....	AR
*6	00-476250-00005	Breaker - Circuit (45 Amp.).....	AR
*7	00-476250-00004	Breaker - Circuit (40 Amp.).....	AR
*8	00-476250-00002	Breaker - Circuit (30 Amp.).....	AR
*9	00-476250-00001	Breaker - Circuit (25 Amp.).....	AR
*10	00-476251-00006	Breaker - Circuit (40 Amp.).....	AR
*11	00-476251-00008	Breaker - Circuit (50 Amp.).....	AR
*12	00-476251-00009	Breaker - Circuit (60 Amp.).....	AR
*13	00-476251-00004	Breaker - Circuit (30 Amp.).....	AR
*14	00-476250-00001	Breaker - Circuit (25 Amp.).....	AR
*15	00-476250-00002	Breaker - Circuit (30 Amp.).....	AR
*16	00-476250-00003	Breaker - Circuit (35 Amp.).....	AR
*17	00-476250-00014	Breaker - Circuit (20 Amp.).....	AR
*18	00-476250-00013	NLA - Obsolete--Breaker - Circuit (15 Amp.).....	AR
19	00-476251-00014	Kit - Circuit Breaker Mounting (Use With Items 1, 4, 5, & 10 thru 13).....	AR
20	00-476250-00012	Kit - Circuit Breaker Mounting (Use With Items 2, 3, 6 thru 9, & 14 thru 18).....	AR

* (See Chart on Graphic for Usage.)



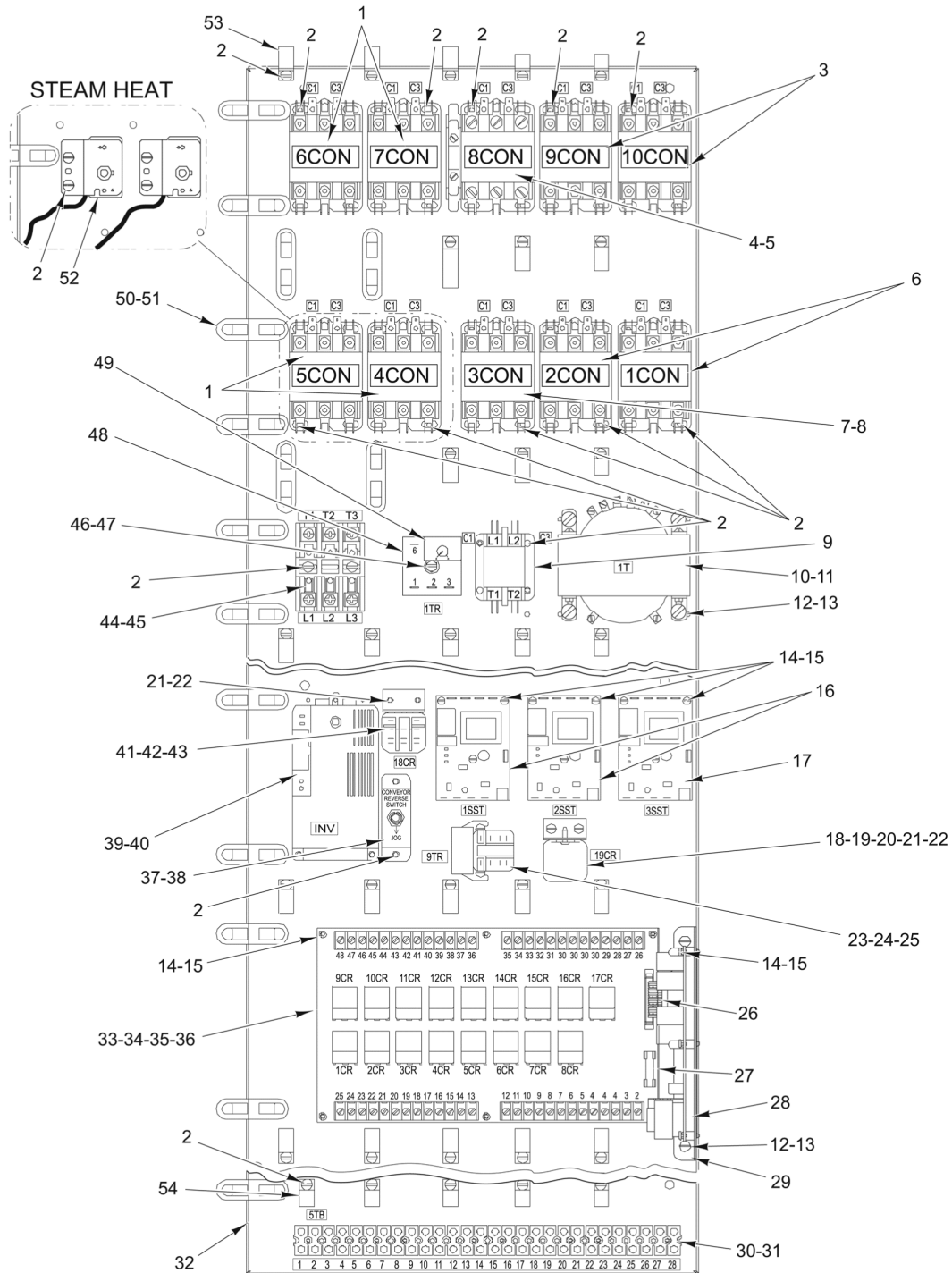
MACHINE	USAGE	Under 250 V.				380-480 V.				600 V.			
		4CB	3CB	2CB	1CB	4CB	3CB	2CB	1CB	4CB	3CB	2CB	1CB
FT900W	Electric Heat	1	3	3	4	7	10	10	12	7	11	11	15
FT900W	Electric Heat & Blower Dryer	2	3	3	5	8	10	10	13	9	11	11	12
FT900W	Electric Heat & Flush Pump	1	3	3	5	7	10	10	13	7	11	11	12
FT900W	Electric Heat, Blower Dryer, & Flush Pump	2	3	3	6	8	10	10	14	9	11	11	12
FT900W	Steam Heat	1	OMIT	OMIT	4	7	OMIT	OMIT	12	7	OMIT	OMIT	15
FT900W	Steam Heat & Blower Dryer	1	OMIT	OMIT	5	7	OMIT	OMIT	13	7	OMIT	OMIT	12
FT900W	Steam Heat & Flush Pump	1	OMIT	OMIT	5	7	OMIT	OMIT	13	7	OMIT	OMIT	12
FT900W	Steam Heat, Blower Dryer, & Flush Pump	1	OMIT	OMIT	6	7	OMIT	OMIT	14	7	OMIT	OMIT	12

**CIRCUIT BREAKERS
(FT900W)
(OLD CONTROLS)**

**CIRCUIT BREAKERS
(FT900W)
(OLD CONTROLS)**

ILLUS. PL-60304	PART NO.	NAME OF PART	AMT.
*1	00-476251-00003	Breaker - Circuit (25 Amp.).....	AR
*2	00-476251-00012	Breaker - Circuit (90 Amp.).....	AR
*3	00-476251-00013	Breaker - Circuit (100 Amp.).....	AR
*4	00-476251-00006	Breaker - Circuit (40 Amp.).....	AR
*5	00-476251-00008	Breaker - Circuit (50 Amp.).....	AR
*6	00-476251-00009	Breaker - Circuit (60 Amp.).....	AR
*7	00-476250-00013	NLA - Obsolete--Breaker - Circuit (15 Amp.).....	AR
*8	00-476250-00005	Breaker - Circuit (45 Amp.).....	AR
*9	00-476250-00002	Breaker - Circuit (30 Amp.).....	AR
*10	00-476250-00005	Breaker - Circuit (45 Amp.).....	AR
*11	00-476250-00002	Breaker - Circuit (30 Amp.).....	AR
*12	00-476250-00001	Breaker - Circuit (25 Amp.).....	AR
*13	00-476250-00002	Breaker - Circuit (30 Amp.).....	AR
*14	00-476250-00003	Breaker - Circuit (35 Amp.).....	AR
*15	00-476250-00014	Breaker - Circuit (20 Amp.).....	AR
16	00-476251-00014	Kit - Circuit Breaker Mounting (Use With Items 1 thru 6).....	AR
17	00-476250-00012	Kit - Circuit Breaker Mounting (Use With Items 7 thru 15).....	AR

* (See Chart on Graphic for Usage.)

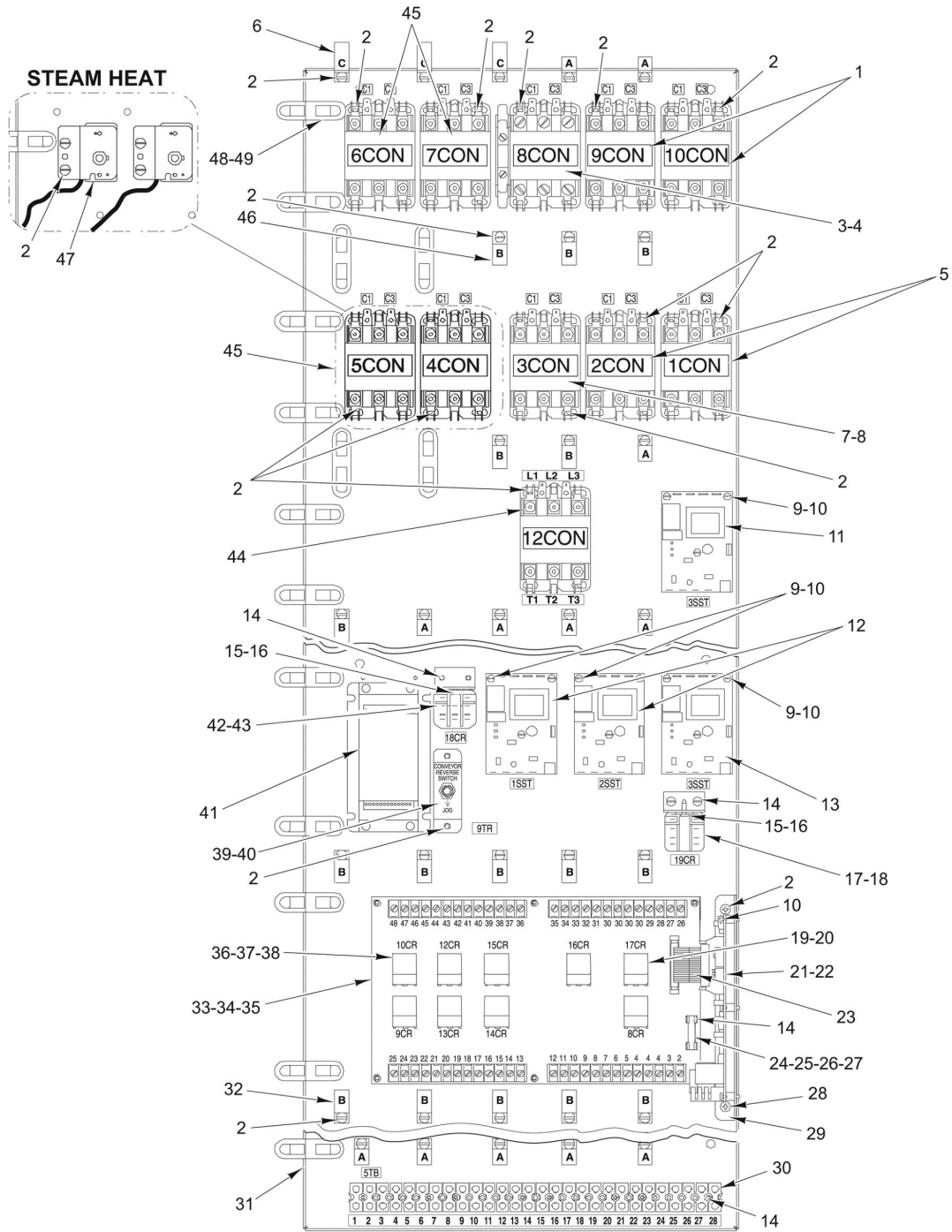


**LOWER BASE PLATE ASSEMBLY
(ORIGINAL DESIGN - OLD CONTROLS)**

**LOWER BASE PLATE ASSEMBLY
(ORIGINAL DESIGN - OLD CONTROLS)**

ILLUS. PL-55214	PART NO.	NAME OF PART	AMT.
1	00-918322	Contactora (40 Amp., 3-Pole) (4 CON thru 7 CON) (Electric Heat).....	4
2	SD-008-25	Self-Tapping Screw 10-16 x 1/2 Phil. Pan Hd., Type B.....	AR
3	00-918322	Contactora (40 Amp., 3-Pole) (9 CON & 10 CON) (Electric Blower Dryer).....	2
4	00-087713-039-2	Contactora (30 Amp., 3-Pole) (Auto-Timer Only) (8 CON) (Electric Blower Dryer).....	1
5	00-918322	Contactora (40 Amp., 3-Pole) (8 CON) (Steam Blower Dryer).....	1
6	00-918322	Contactora (40 Amp., 3-Pole) (1 CON & 2 CON) (Steam & Electric Heat).....	2
*7	00-087713-039-2	Contactora (30 Amp., 3-Pole) (Auto-Timer Only) (3 CON) (Steam & Electric Heat).....	1
**8	00-918322	Contactora (40 Amp., 3-Pole) (3 CON) (Steam & Electric Heat).....	1
9	00-087713-085-1	Contactora (11 Con) (Vent Fan Control).....	1
10	00-294500-046-2	Transformer (300 VA) Pilot Control.....	1
11	00-294500-024-5	Transformer (600 V.).....	1
12	SD-008-25	Self-Tapping Screw 10-16 x 1/2 Phil. Pan Hd., Type B.....	AR
13	WL-014-07	Lockwasher #10 External Shakeproof (SST).....	AR
14	00-476653	Spacer - Circuit Board.....	AR
15	SD-038-02	Self-Tapping Screw 6-20 x 5/8 Phil. Pan Hd., Type B.....	AR
16	00-475458-00001	Thermostat - Solid State (120 V.).....	2
17	00-475458-00001	Thermostat - Solid State (120 V.) (Prewash Temp Control).....	1
18	00-087714-020-2	Relay (3.P.D.T.) (Blower Dryer) (19CR).....	1
19	SD-019-29	Self-Tapping Screw 6-20 x 1/2 Phil. Pan Hd., Type B.....	2
20	00-437102	Bracket - Relay Mounting.....	1
21	SD-008-17	Self-Tapping Screw 6-20 x 3/8 Phil. Bndg. Hd., Type B.....	AR
22	WL-014-05	Lockwasher #8 External Shakeproof (SST).....	AR
23	00-087714-016-1	Relay - Time Delay (D.P.D.T.) (115 V., 10 Amp.).....	1
24	00-748513	Pin - Snubber.....	1
25	SD-008-18	Self-Tapping Screw 8-18 x 3/8 Phil. Bndg. Hd., Type B.....	2
26	00-475472	Cable - Ribbon.....	1
27	FE-021-19	Fuse (3.2 Amp., 250 V.).....	1
28	00-748523-00002	Board Assy. - Time Delay.....	1
29	00-476674	Bracket - Timer Board.....	1
30	00-294325-013-5	Block - Terminal.....	4
31	SD-019-29	Self-Tapping Screw 6-20 x 1/2 Phil. Pan Hd., Type B.....	8
32	00-475962	Base Plate - Lower Control Box.....	1
33	00-748825	Board Assy. (Relay).....	1
34	00-087714-058-1	Relay - 4P.D.T. (120 V., C1-Dry Circuit).....	6
35	00-476352	Relay - 4P.D.T. (With Indicator Light) (9CR, 10CR, & 14CR).....	3
36	00-294777	Clip - Relay.....	13
37	00-087711-147-1	Switch - Conveyor Reverse.....	1
38	00-476372	Bracket - Switch.....	1
39	00-918276	Inverter - Frequency.....	1
40	SD-029-11	Self-Tapping Screw 6-32 x 1 Phil. Pan Hd., Type F.....	3
41	00-087714-020-2	Relay (3P.D.T.) (10 Amp., 120 VAC) (18CR).....	1
42	SD-019-29	Self-Tapping Screw 6-20 x 1/2 Phil. Pan Hd., Type B.....	2
43	00-437102	Bracket - Relay Mounting.....	1
44	00-294436-00006	Fuse Block (3-Pole).....	1
45	FE-025-24	Fuse (15 Amp., 600 V.).....	3
46	SD-036-13	Self-Tapping Screw 1/4-20 x 1-1/4 Hex Washer Hd., Type T.....	1
47	WL-007-15	Lockwasher 1/4 External Shakeproof.....	1
48	00-087714-057-1	Relay - Time Delay (1TR) (Vent Fan Control).....	1
49	00-437070-00005	Module - Plug On.....	1
50	00-476946-00001	D-Clamp (With Keeper Bar).....	15
51	SD-019-02	NLA - Obsolete--Self-Tapping Screw 10-16 x 1/2 Phil. Flat Hd., Type B.....	15
52	00-294681-031-4	Thermostat - Tank Heat (Steam Boosters).....	AR
53	00-294677-00004	Clamp - Wire (1 I.D.).....	19
54	00-294677-00003	Clamp - Wire (3/4 I.D.).....	12

* (With Vent Fan Control.)
** (Without Vent Fan Control.)

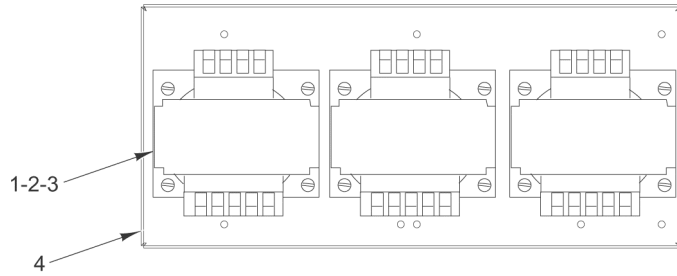


PL-58027

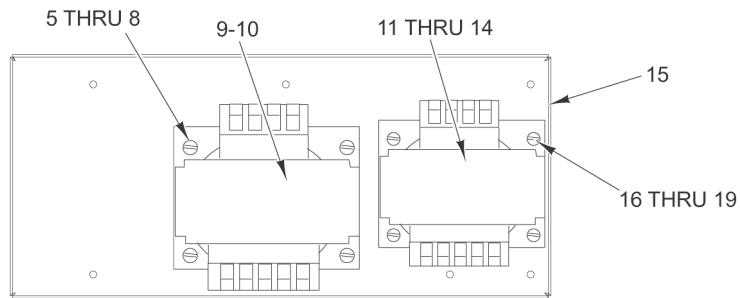
**LOWER BASE PLATE ASSEMBLY
(SECOND DESIGN - OLD CONTROLS)**

**LOWER BASE PLATE ASSEMBLY
(SECOND DESIGN - OLD CONTROLS)**

ILLUS.	PART NO.	NAME OF PART	AMT.
PL-58027			
1	00-918322	Contactora (40 Amp., 3-Pole) (9CON & 10 CON) (Electric Blower Dryer).....	2
2	SD-008-25	Self-Tapping Screw 10-16 x 1/2 Phil. Pan Hd., Type B.....	AR
3	00-087713-039-2	Contactora (30 Amp., 3-Pole) (Auto-Timer Only) (8 CON) (Electric Blower Dryer).....	1
4	00-918322	Contactora (40 Amp., 3-Pole) (8 CON) (Steam Blower Dryer).....	1
5	00-918322	Contactora (40 Amp., 3-Pole) (1CON & 2CON) (Steam & Electric Heat).....	6
6	00-294677-00005	Clamp - Wire 1-1/2 In.....	3
7	00-087713-018-2	Contactora (W/Aux. Switch) (40 Amp., 3-Pole) (3CON) (Steam & Electric Heat) (FT900W).....	1
8	00-918322	Contactora (40 Amp., 3-Pole) (3CON) (Steam & Electric Heat) (FT900 & FT900S).....	1
9	00-476653	Spacer - Circuit Board.....	AR
10	SD-038-02	Self-Tapping Screw 6-20 x 5/8 Phil. Pan Hd., Type B.....	AR
11	00-475458-00001	Thermostat - Solid State (120 V.) (4SST) (FT900W Only).....	1
12	00-475458-00001	Thermostat - Solid State (120 V.) (1SST & 2SST).....	2
13	00-475458-00001	Thermostat - Solid State (120 V.) (3SST) (Prewash Temp Control).....	1
14	SD-019-29	Self-Tapping Screw 6-20 x 1/2 Phil. Pan Hd., Type B.....	AR
15	SD-008-18	Self-Tapping Screw 8-18 x 3/8 Phil. Bndg. Hd., Type B.....	AR
16	WL-014-05	Lockwasher #8 External Shakeproof (SST).....	AR
17	00-087714-020-2	Relay (3.P.D.T.) (FT900W Only).....	1
18	00-437102	Bracket - Relay Mounting (FT900W Only).....	1
19	00-087714-058-1	Relay (4P.D.T.) (120 V.).....	6
20	00-294777	Clip - Relay.....	6
21	00-748523-00002	Board Assy. - Time Delay.....	1
22	00-476653	Spacer - Circuit Board.....	6
23	00-475472	Ribbon Cable (Tier Board to Relay Board).....	1
24	FE-021-19	Fuse (3.2 Amp.) (For 500 VA Transformer).....	1
25	FE-009-31	Fuse (7 Amp.) (For 750 VA Transformer).....	1
26	FE-017-03	Fuse (2 Amp.) (For 500 VA Transformer).....	1
27	00-294436-00003	Block - Fuse.....	1
28	WL-014-07	Lockwasher #10 External Shakeproof (SST).....	2
29	00-476674	Bracket - Timer Board.....	1
30	00-294325-013-5	Block - Terminal.....	4
31	00-748836	Base Plate - Lower Control Box.....	1
32	00-294677-00003	Clamp - Wire (3/4 I.D.).....	12
33	00-749475	Board Assy. (Relay).....	1
34	00-476653	Spacer - Circuit Board.....	6
35	SD-038-02	Self-Tapping Screw 6-20 x 5/8 Phil. Pan Hd., Type B.....	6
36	00-476352	Relay (4P.D.T.) (With Indicator Light) (9CR, 10CR, & 14CR).....	3
37	00-087714-058-1	Relay.....	6
38	00-294777	Clip - Relay.....	3
39	00-476372	Bracket - Switch.....	1
40	00-087711-147-1	Switch - Wash/Rinse.....	1
41	00-918276	Inverter - Frequency.....	1
42	00-087714-020-2	Relay (3.P.D.T.) (10 Amp., 120 VAC) (18CR).....	2
43	00-437102	Bracket - Relay Mounting.....	1
44	00-087713-041-2	Contactora (40 Amp., 3-Pole) (FT900W Only).....	1
45	00-918322	Contactora (40 Amp., 3-Pole) (4CON thru 7CON) (Electric Heat).....	4
46	00-294677-00004	Clamp - Wire (1 I.D.).....	16
47	00-294681-031-4	Thermostat - Tank Heat (Steam Boosters).....	AR
48	00-476946-00001	D-Clamp (With Keeper Bar).....	15
49	SD-019-02	NLA - Obsolete--Self-Tapping Screw 10-16 x 1/2 Phil. Flat Hd., Type B.....	15



(500 VA TRANSFORMERS) (ORIGINAL DESIGN - OLD CONTROLS)



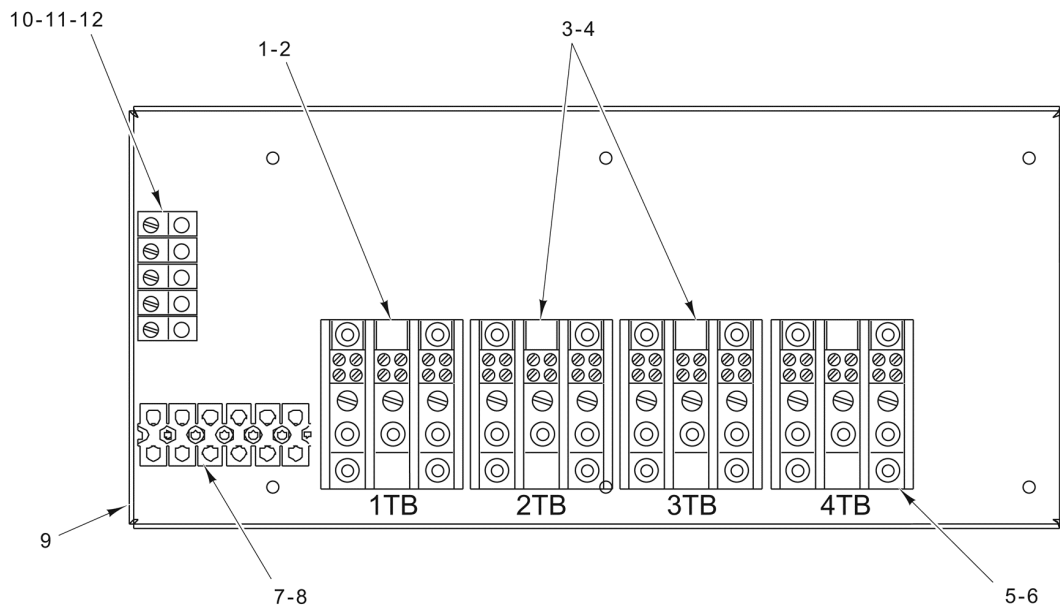
(500 VA TRANSFORMERS) (SECOND DESIGN - OLD CONTROLS)

PL-58028

**BOTTOM BASE PLATE ASSEMBLY
(OLD CONTROLS)**

**BOTTOM BASE PLATE ASSEMBLY
(OLD CONTROLS)**

ILLUS.	PART NO.	NAME OF PART	AMT.
PL-58028			
1	00-294500-00035	Transformer 500 VA (380-480 V.).....	3
2	00-294500-00053	Transformer 500 VA (208-240/480 V.).....	1
3	00-294500-00038	Transformer 500 VA (600 V.).....	3
4	00-748813	Base Plate - Upper Control Box.....	1
5	SD-035-77	Self-Tapping Screw 1/4-20 x 3/8 Phil. Pan Hd., Type TT.....	4
6	SD-008-25	Self-Tapping Screw 10-16 x 1/2 Phil. Pan Hd., Type B.....	4
7	WL-007-15	Lockwasher 1/4 External Shakeproof.....	4
8	WL-014-07	Lockwasher #10 External Shakeproof (SST).....	1
9	00-294500-00035	Transformer 500 VA (380-480 V.) (Use With Items 5 & 7).....	1
10	00-294500-00038	Transformer 500 VA (600 V.) (Use With Items 6 & 8).....	1
11	00-294500-046-2	Transformer (208-240 V.) (380-480 V.) (FT900 & FT900S) (Use With Items 16 & 18)	1
12	00-294500-024-5	Transformer (600 V.) (FT900 & FT900S) (Use With Items 17 & 19).....	1
13	00-294500-00041	Transformer (208-240 V.)(380-480 V.)(FT900W)(Use With Items 16 & 18).....	1
14	00-294500-00042	Transformer (600 V.) (FT900W) (Use With Items 17 & 19).....	1
15	00-748813	Base Plate - Upper Control Box.....	1
16	SD-008-25	Self-Tapping Screw 10-16 x 1/2 Phil. Pan Hd., Type B.....	4
17	SD-035-77	Self-Tapping Screw 1/4-20 x 3/8 Phil. Pan Hd., Type TT.....	4
18	WL-014-07	Lockwasher #10 External Shakeproof (SST).....	4
19	WL-007-15	Lockwasher 1/4 External Shakeproof.....	4

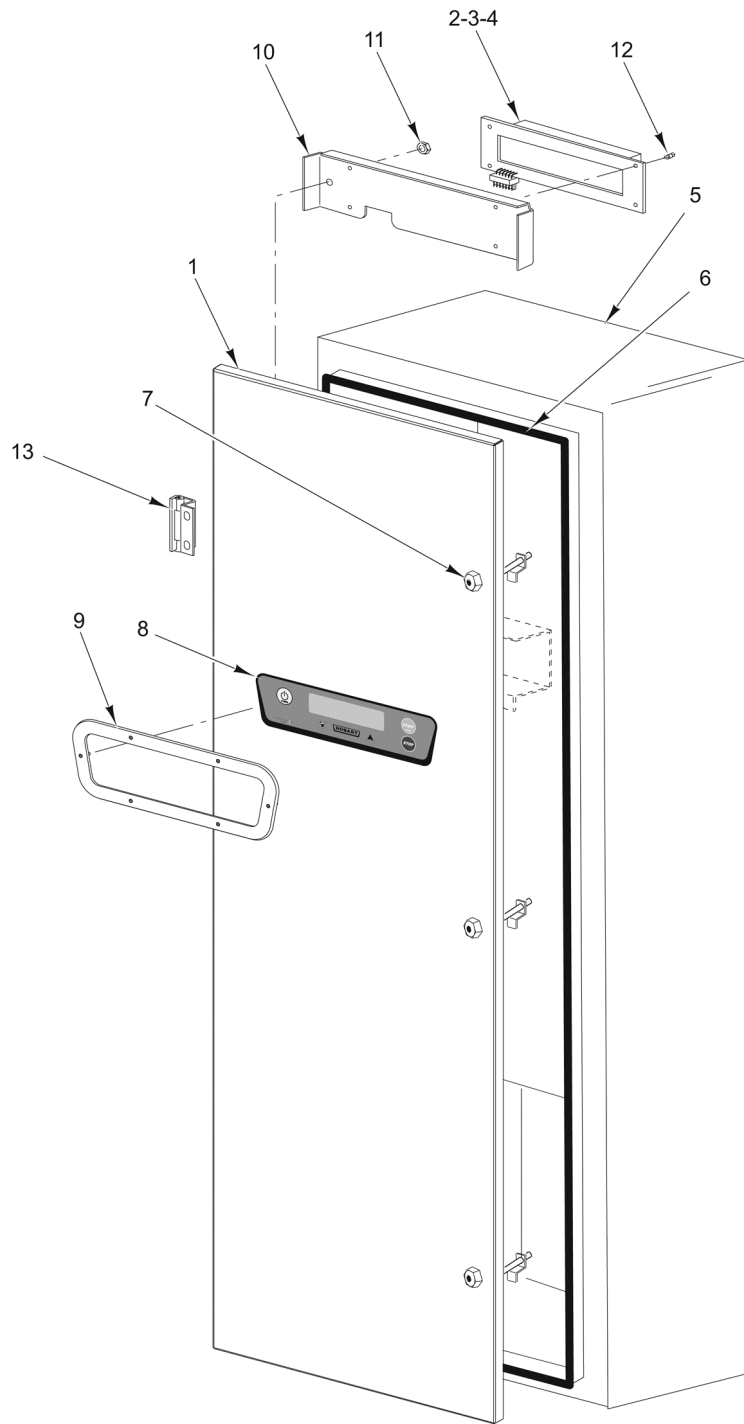


PL-58665

**UPPER BASE PLATE ASSEMBLY
(OLD AND NEW CONTROLS)**

**UPPER BASE PLATE ASSEMBLY
(OLD AND NEW CONTROLS)**

ILLUS.	PART NO.	NAME OF PART	AMT.
PL-58665			
1	00-119031	Block - Terminal.....	1
2	SD-008-25	Self-Tapping Screw 10-16 x 1/2 Phil. Pan Hd., Type B.....	4
3	00-119031	Block - Terminal (Electric Heat).....	2
4	SD-008-25	Self-Tapping Screw 10-16 x 1/2 Phil. Pan Hd., Type B.....	8
5	00-119031	Block - Terminal (Electric Heat With Blower Dryer).....	1
6	SD-008-25	Self-Tapping Screw 10-16 x 1/2 Phil. Pan Hd., Type B.....	4
7	00-294325-013-2	Block - Terminal (Over 250 V.).....	1
8	SD-019-29	Self-Tapping Screw 6-20 x 1/2 Phil. Pan Hd., Type B.....	2
9	00-748813	Base Plate - Upper Control Box.....	1
10	00-118544-00002	Lug - Grounding.....	AR
11	SD-035-77	Self-Tapping Screw 1/4-20 x 3/8 Phil. Pan Hd., Type TT.....	AR
12	WL-007-15	Lockwasher 1/4 External Shakeproof.....	AR

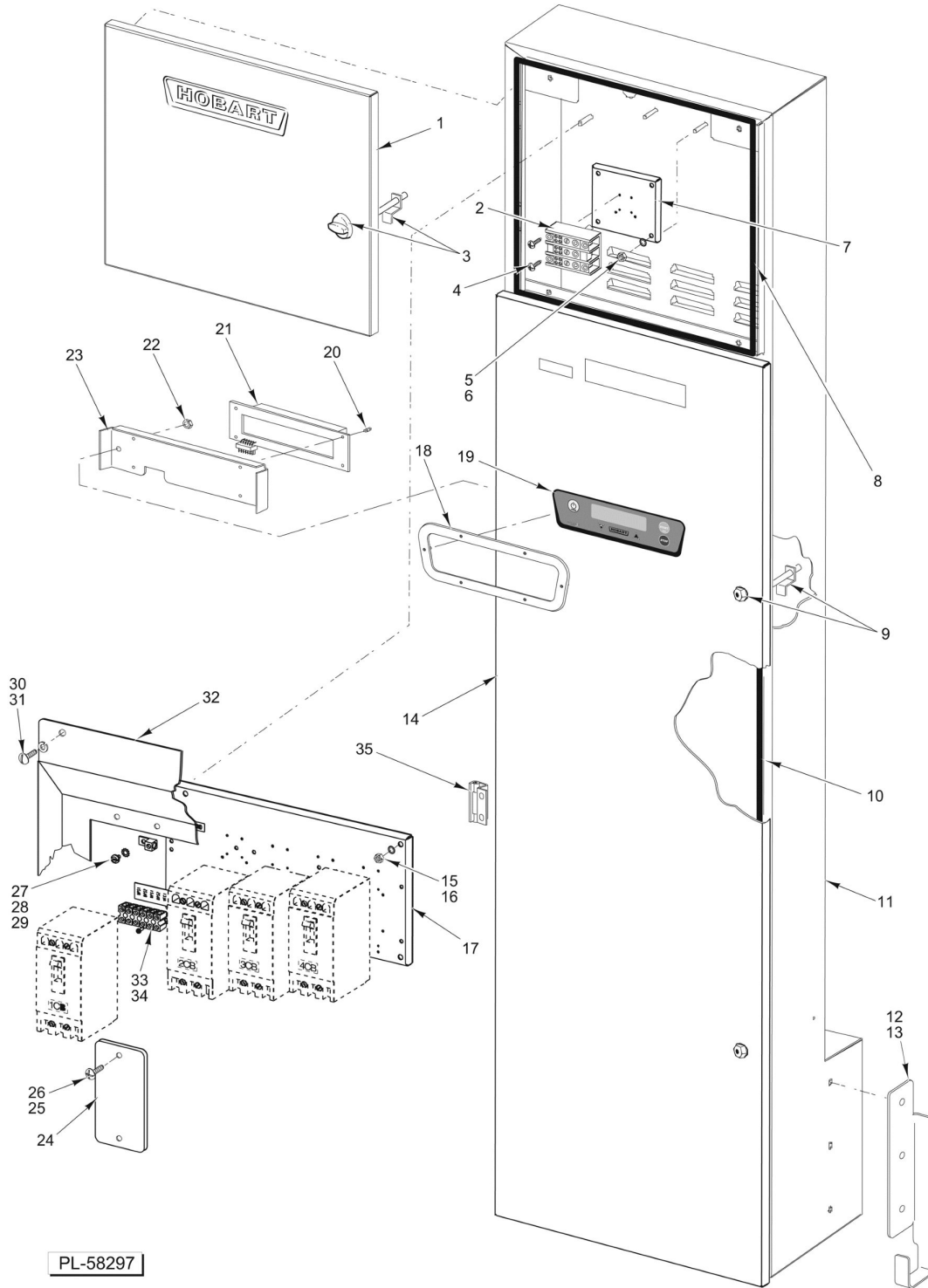


PL-58300

**CONTROL BOX
(WITHOUT CIRCUIT BREAKERS) (CURRENT)**

**CONTROL BOX
(WITHOUT CIRCUIT BREAKERS) (CURRENT)**

ILLUS. PL-58300	PART NO.	NAME OF PART	AMT.
1	00-918406	Door - Control Box (Without Circuit Breakers).....	1
2	00-918409	Display - Graphic 140 x 16.....	1
3	00-918576	Cable - Ribbon.....	1
4	00-918577	Cable - Ribbon.....	1
5	00-918468	Control Box (Without Circuit Breakers).....	1
6	00-476871-00002	Gasket - Control Box (Without Circuit Breakers).....	1
7	00-476582-00002	Latch - Control Box (Hex Type).....	AR
8	00-918318	Keypad - Membrane Switch.....	1
9	00-919232	Plate - Keypad Trim.....	1
10	00-918562	Plate - Mount Display.....	1
11	NS-031-15	Stop Nut 10-24 Hex (SST).....	4
12	00-329056-00003	Standoff - Dual Locking.....	4
13	00-475945	Hinge - Door (Welded to Door).....	AR

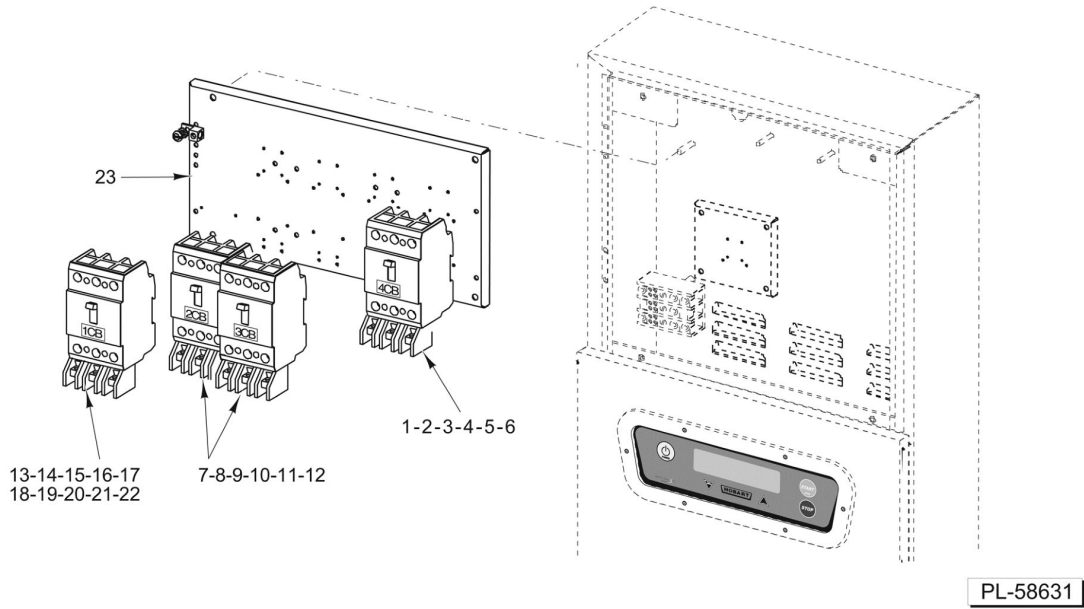


PL-58297

**CONTROL BOX
(WITH CIRCUIT BREAKERS) (CURRENT)**

**CONTROL BOX
(WITH CIRCUIT BREAKERS) (CURRENT)**

ILLUS. PL-58297	PART NO.	NAME OF PART	AMT.
1	00-476731	Door - Upper Control Box.....	1
2	00-122629	Block - Terminal (Electric Heat With Circuit Breakers).....	1
3	00-476582-00003	Latch - Control Box Knob Type.....	1
4	SD-008-25	Self-Tapping Screw 10-16 x 1/2 Phil. Pan Hd., Type B.....	4
5	WL-007-15	Lockwasher 1/4 External Shakeproof.....	2
6	NS-031-21	Stop Nut 1/4-20 Hex (SST).....	4
7	00-476524	Base Plate - Terminal Block.....	1
8	00-476871-00003	Gasket - Upper Control Box.....	1
9	00-476582-00002	Latch - Control Box (Hex Type).....	2
10	00-476871-00004	Gasket - Lower Control Box.....	1
11	00-918469	Control Box (With Circuit Breakers).....	1
12	00-918471-00001	Bracket - Discharge Panel (R-L).....	1
13	00-918471-00002	Bracket - Discharge Panel (L-R).....	1
14	00-918407	Door - Control Box (With Circuit Breakers).....	1
15	WL-007-15	Lockwasher 1/4 External Shakeproof.....	2
16	NS-031-21	Stop Nut 1/4-20 Hex (SST).....	4
17	00-748813	Base Plate - Upper Control Box.....	1
18	00-919232	Plate - Keypad Trim.....	1
19	00-918318	Keypad - Membrane Switch.....	1
20	00-329056-00003	Standoff - Dual Locking.....	4
21	00-918409	Display - Graphic 140 x 16.....	1
22	NS-031-15	Stop Nut 10-24 Hex (SST).....	4
23	00-918562	Plate - Mount Display.....	1
24	00-476766	Cover Plate.....	AR
25	SC-066-06	Mach. Screw 10-24 x 1/2 Phil. Truss Hd. (SST).....	AR
26	NS-031-15	Stop Nut 10-24 Hex (SST).....	AR
27	00-118544-00002	Lug - Grounding.....	AR
28	SD-035-77	Self-Tapping Screw 1/4-20 x 3/8 Phil. Pan Hd., Type TT.....	AR
29	WL-007-15	Lockwasher 1/4 External Shakeproof.....	AR
30	SC-053-42	Mach. Screw 1/4-20 x 5/8 Slotted Truss Hd. (SST).....	4
31	WL-006-17	Lockwasher 1/4 Helical (SST).....	4
32	00-918533	Cover - Circuit Breaker (Low Voltage).....	1
33	SD-019-29	Self-Tapping Screw 6-20 x 1/2 Phil. Pan Hd., Type B.....	2
34	00-294325-013-2	Block - Terminal (Over 250 V.).....	1
35	00-475945	Hinge - Door (Welded to Door).....	AR



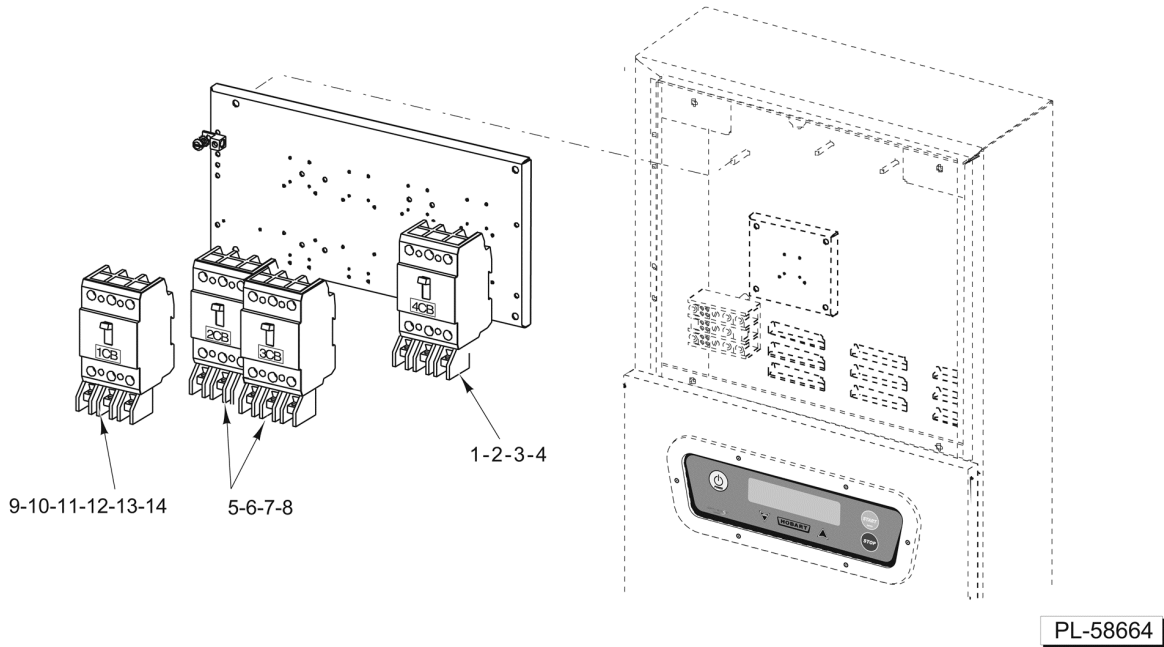
MACHINE	USAGE	Under 250 V.				380-480 V.				600 V.			
		4CB	3CB	2CB	1CB	4CB	3CB	2CB	1CB	4CB	3CB	2CB	1CB
FT900	Electric Heat	OMIT	7	7	13	OMIT	9	9	18	OMIT	11	11	20
FT900	Electric Heat & Blower Dryer	1	7	7	14	4	9	9	17	6	11	11	21
FT900	Electric Heat & Flush Pump	OMIT	7	7	15	OMIT	9	9	18	OMIT	11	11	21
FT900	Electric Heat, Blower Dryer, & Flush Pump	1	7	7	16	4	9	9	17	6	11	11	21
FT900/FT950	Steam Heat	OMIT	OMIT	OMIT	13	OMIT	OMIT	OMIT	18	OMIT	OMIT	OMIT	20
FT900/FT950	Steam Heat & Blower Dryer	OMIT	OMIT	OMIT	14	OMIT	OMIT	OMIT	17	OMIT	OMIT	OMIT	21
FT900/FT950	Steam Heat & Flush Pump	OMIT	OMIT	OMIT	15	OMIT	OMIT	OMIT	18	OMIT	OMIT	OMIT	21
FT900/FT950	Steam Heat, Blower Dryer, & Flush Pump	OMIT	OMIT	OMIT	16	OMIT	OMIT	OMIT	17	OMIT	OMIT	OMIT	21
FT950	Electric Heat	OMIT	8	8	13	OMIT	10	10	18	OMIT	12	12	20
FT950	Electric Heat & Blower Dryer	2 - 3	8	8	14	5	10	10	17	6	12	12	21
FT950	Electric Heat & Flush Pump	OMIT	8	8	15	OMIT	10	10	18	OMIT	12	12	21
FT950	Electric Heat, Blower Dryer, & Flush Pump	2 - 3	8	8	16	5	10	10	17	6	12	12	21
FT900S	Electric Heat	OMIT	8	8	17	OMIT	10	10	19	OMIT	12	12	22
FT900S	Electric Heat & Blower Dryer	1	8	8	13	4	10	10	18	6	12	12	21
FT900S	Steam Heat	OMIT	OMIT	OMIT	17	OMIT	OMIT	OMIT	19	OMIT	OMIT	OMIT	22
FT900S	Steam Heat & Blower Dryer	OMIT	OMIT	OMIT	13	OMIT	OMIT	OMIT	18	OMIT	OMIT	OMIT	20

**CIRCUIT BREAKERS
(FT900 & FT900S)
(NEW CONTROLS)**

**CIRCUIT BREAKERS
(FT900 & FT900S)
(NEW CONTROLS)**

ILLUS. PL-58631	PART NO.	NAME OF PART	AMT.
*1	00-919646-00005	Breaker - Circuit (35 Amp.).....	AR
*2	00-919646-00004	Breaker - Circuit (30 Amp.) (200-208 V.).....	AR
*3	00-919646-00003	Breaker - Circuit (25 Amp.) (240 V.).....	AR
*4	00-919646-00002	Breaker - Circuit (20 Amp.).....	AR
*5	00-919646-00001	Breaker - Circuit (15 Amp.).....	AR
*6	00-936859-00001	Breaker - Circuit (15 Amp.).....	AR
*7	00-919646-00013	Breaker - Circuit (100 Amp.).....	AR
*8	00-919646-00011	Breaker - Circuit (80 Amp.).....	AR
*9	00-919646-00007	Breaker - Circuit (45 Amp.).....	AR
*10	00-919646-00006	Breaker - Circuit (40 Amp.).....	AR
*11	00-936859-00004	Breaker - Circuit (30 Amp.).....	AR
*12	00-936859-00003	Breaker - Circuit (25 Amp.).....	AR
*13	00-919646-00006	Breaker - Circuit (40 Amp.).....	AR
*14	00-919646-00008	Breaker - Circuit (50 Amp.).....	AR
*15	00-919646-00007	Breaker - Circuit (45 Amp.).....	AR
*16	00-919646-00009	Breaker - Circuit (60 Amp.).....	AR
*17	00-919646-00004	Breaker - Circuit (30 Amp.).....	AR
*18	00-919646-00003	Breaker - Circuit (25 Amp.).....	AR
*19	00-919646-00002	Breaker - Circuit (20 Amp.).....	AR
*20	00-936859-00002	Breaker - Circuit (20 Amp.).....	AR
*21	00-936859-00003	Breaker - Circuit (25 Amp.).....	AR
*22	00-936859-00001	Breaker - Circuit (15 Amp.).....	AR
23	00-476250-00012	Kit - Circuit Breaker Mounting (Use with 600 V. Circuit Breakers).....	AR

* (See Chart on Graphic for Usage.)



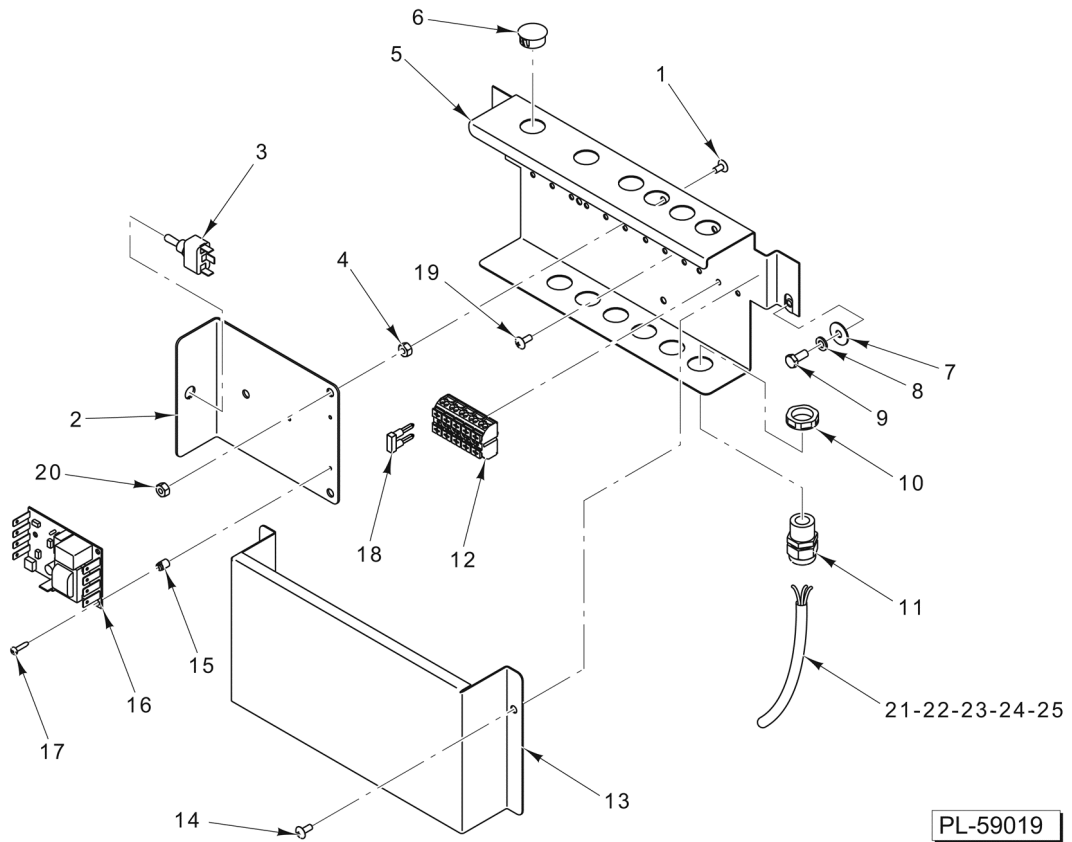
MACHINE	USAGE	Under 250 V.				380-480 V.			
		4CB	3CB	2CB	1CB	4CB	3CB	2CB	1CB
FT900SD	Electric Heat	1	5	5	9	3	7	7	12
FT900SD	Electric Heat & Blower Dryer	2	5	5	10	4	7	7	13
FT900SD	Steam Heat	OMIT	OMIT	OMIT	9	OMIT	OMIT	OMIT	12
FT900SD	Steam Heat & Blower Dryer	OMIT	OMIT	OMIT	10	OMIT	OMIT	OMIT	13
FT900D	Electric Heat	1	6	6	10	3	8	8	13
FT900D	Electric Heat & Blower Dryer	2	6	6	11	4	8	8	14
FT900D	Steam Heat	OMIT	OMIT	OMIT	10	OMIT	OMIT	OMIT	13
FT900D	Steam Heat & Blower Dryer	OMIT	OMIT	OMIT	11	OMIT	OMIT	OMIT	14

**CIRCUIT BREAKERS
(FT900D & FT900SD)
(NEW CONTROLS)**

**CIRCUIT BREAKERS
(FT900D & FT900SD)
(NEW CONTROLS)**

ILLUS.	PART NO.	NAME OF PART	AMT.
PL-58664			
*1	00-919646-00007	Breaker - Circuit (45 Amp.).....	AR
*2	00-919646-00011	Breaker - Circuit (80 Amp.).....	AR
*3	00-919646-00002	Breaker - Circuit (20 Amp.).....	AR
*4	00-919646-00005	Breaker - Circuit (35 Amp.).....	AR
*5	00-919646-00012	Breaker - Circuit (90 Amp.).....	AR
*6	00-919646-00013	Breaker - Circuit (100 Amp.).....	AR
*7	00-919646-00006	Breaker - Circuit (40 Amp.).....	AR
*8	00-919646-00007	Breaker - Circuit (45 Amp.).....	AR
*9	00-919646-00004	Breaker - Circuit (30 Amp.).....	AR
*10	00-919646-00006	Breaker - Circuit (40 Amp.).....	AR
*11	00-919646-00008	Breaker - Circuit (50 Amp.).....	AR
*12	00-919646-00002	Breaker - Circuit (20 Amp.).....	AR
*13	00-919646-00003	Breaker - Circuit (25 Amp.).....	AR
*14	00-919646-00004	Breaker - Circuit (30 Amp.).....	AR

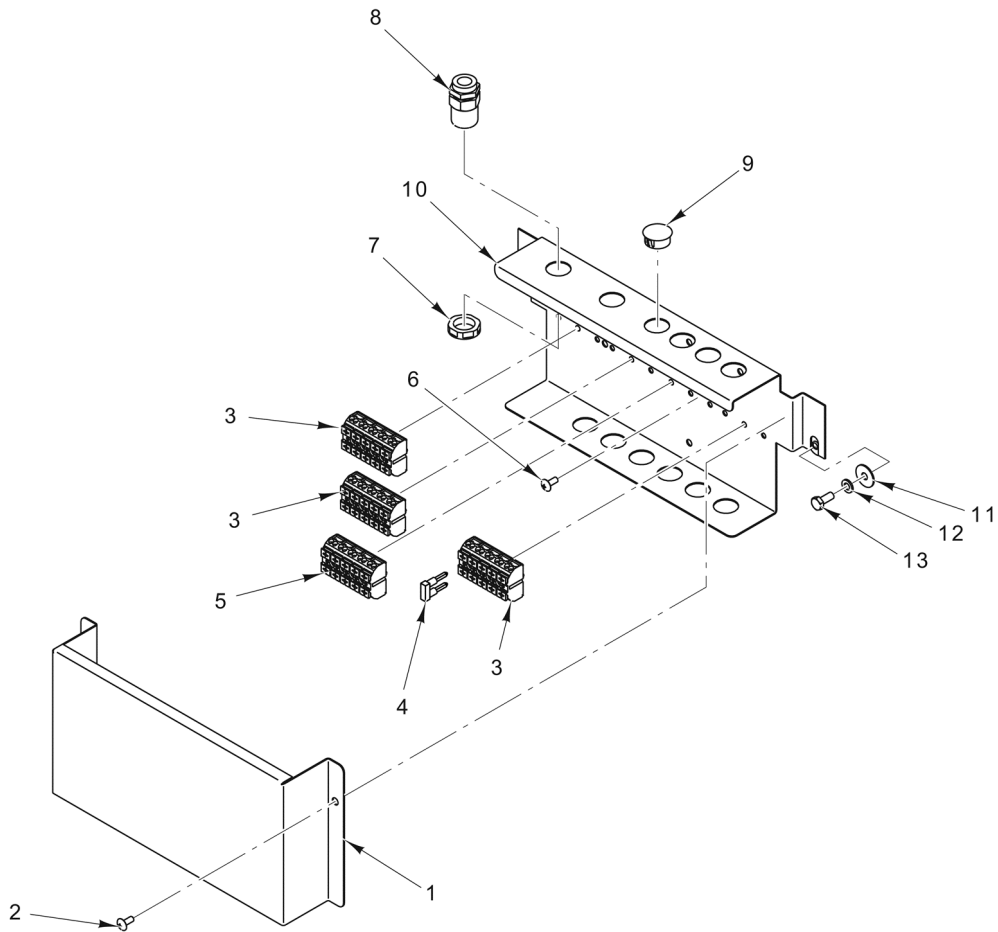
* (See Chart on Graphic for Usage.)



**CONTROL BOX
(ENERGY RECOVERY)**

**CONTROL BOX
(ENERGY RECOVERY)**

ILLUS. PL-59019	PART NO.	NAME OF PART	AMT.
1	SC-021-25	Mach. Screw 10-24 x 3/4 Slotted Rd. Hd. (SST).....	3
2	00-936912	Plate - Valve Control Base.....	1
3	00-087711-147-1	Switch - Wash Rinse.....	1
4	NS-031-15	Stop Nut 10-24 Hex (SST).....	3
5	00-918643	Box - Door Interlock Junction.....	1
6	PB-004-08	Plug Button Heyco 2703.....	AR
7	WS-003-47	Washer (SST).....	2
8	WL-006-17	Lockwasher 1/4 Helical (SST).....	2
9	SC-041-05	Cap Screw 1/4-20 x 5/8 Hex Hd. (SST).....	2
10	FE-024-88	Lock Nut 1/2 Electrical.....	1
11	FE-022-84	Connector - Strain Relief.....	AR
12	00-918385	Block - Terminal (5-Pole).....	AR
13	00-918644	Cover - Junction Box.....	1
14	SC-066-06	Mach. Screw 10-24 x 1/2 Phil. Truss Hd. (SST).....	2
15	00-476653	Spacer - Circuit Board.....	4
16	00-936686-00001	Thermostat - Solid State.....	1
17	SD-038-02	Self-Tapping Screw 6-20 x 5/8 Phil. Pan Hd., Type B.....	3
18	00-918907	Jumper - Terminal Block.....	1
19	SC-066-06	Mach. Screw 10-24 x 1/2 Phil. Truss Hd. (SST).....	1
20	NS-031-15	Stop Nut 10-24 Hex (SST).....	3
21	00-918568-021-1	Cable - Valve (L-R & R-L).....	1
22	00-918568-021-5	Cable Assy. (New Controls).....	1
23	00-918568-00024	Cable - Control Voltage.....	1
24	00-918568-00025	Cable - Rinse Valve Bypass.....	1
25	00-918568-00026	Cable - ER Thermistor (10 QPM).....	1

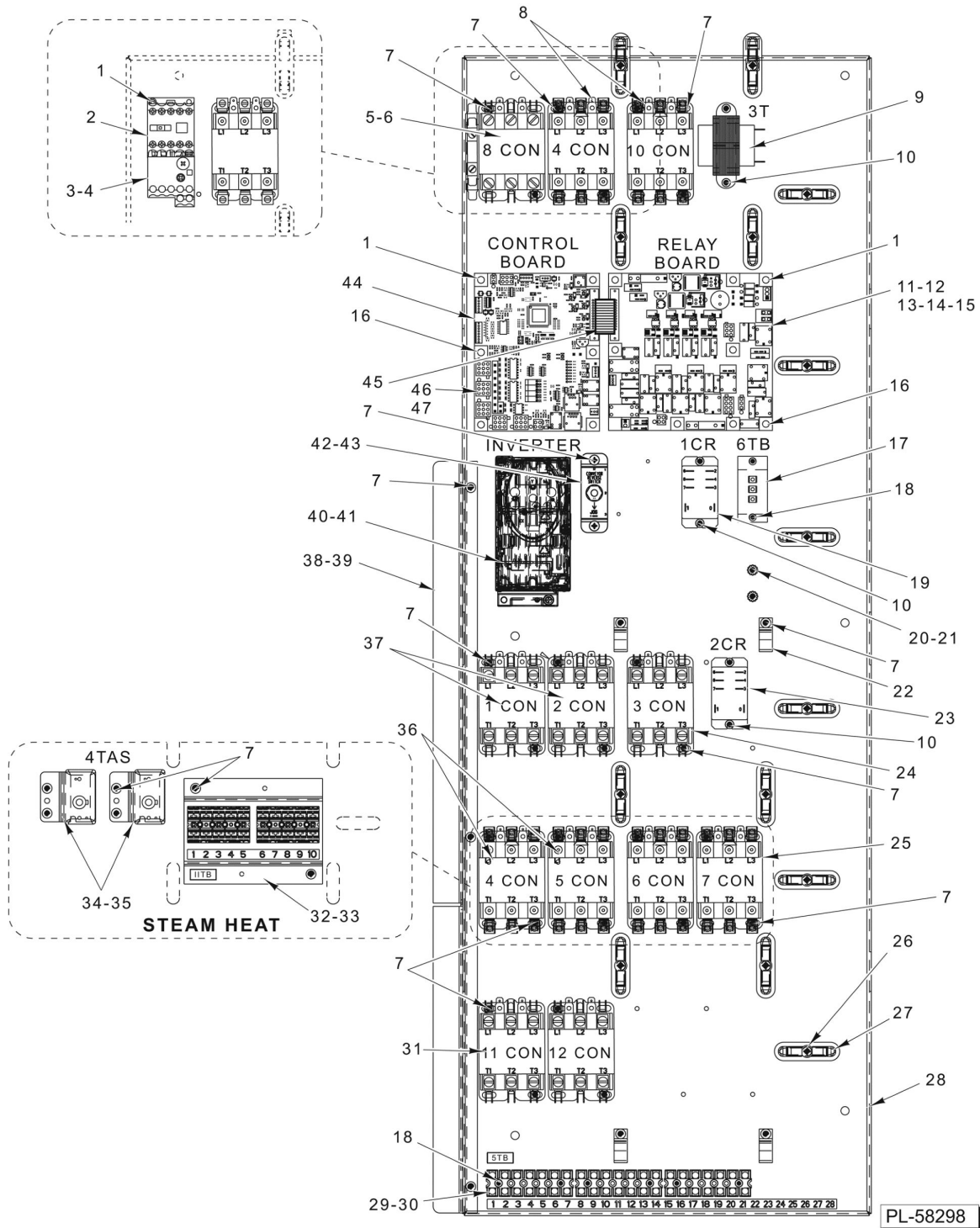


PL-60305

CONTROL BOX (INTERLOCKS)

CONTROL BOX (INTERLOCKS)

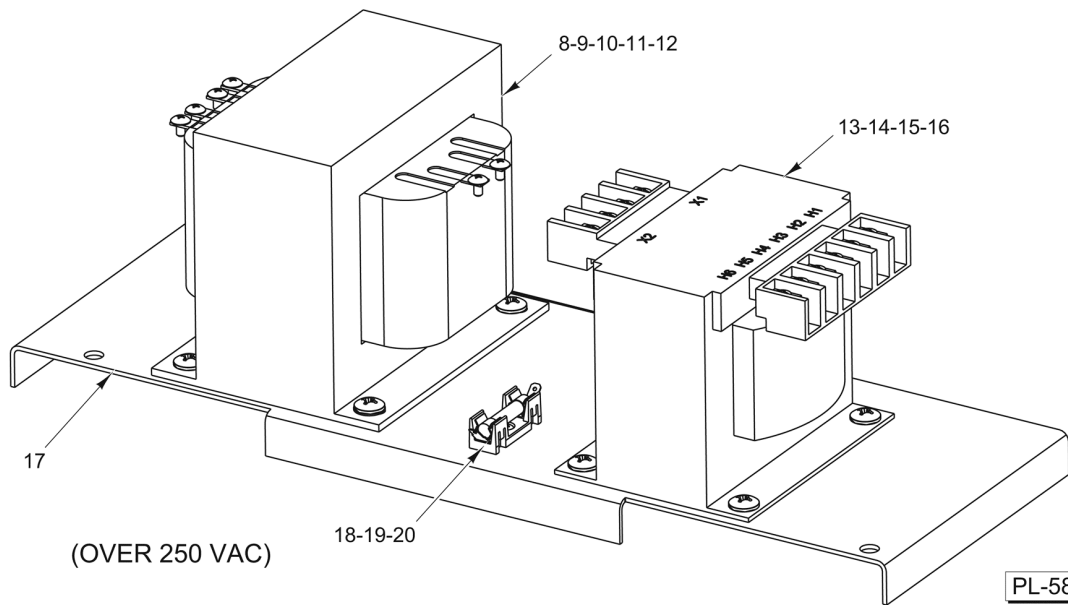
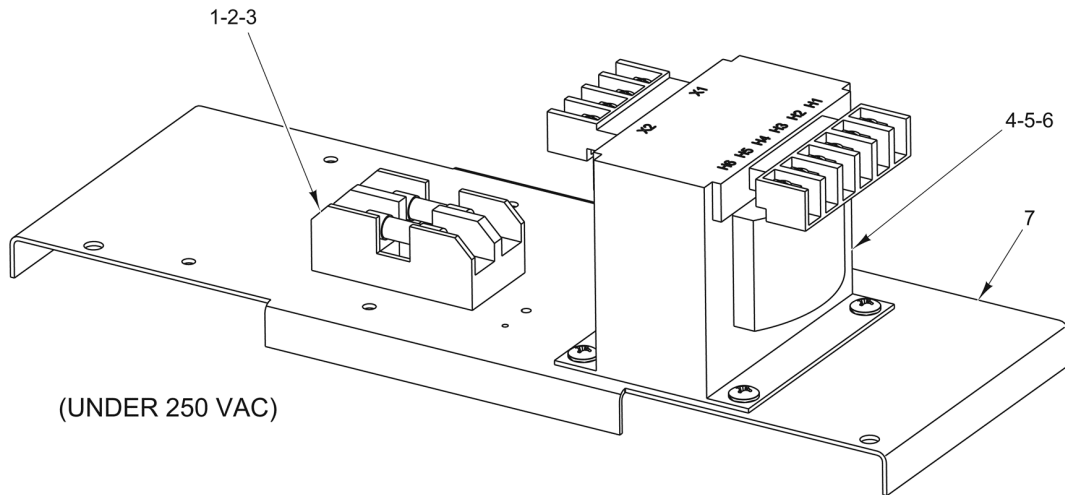
ILLUS.	PART NO.	NAME OF PART	AMT.
PL-60305			
1	00-918644	Cover - Junction Box.....	1
2	SC-066-06	Mach. Screw 10-24 x 1/2 Phil. Truss Hd. (SST).....	2
3	00-918385	Block - Terminal (5-Pole).....	3
4	00-918907	Jumper - Terminal Block.....	1
5	00-918385	Block - Terminal (5-Pole) (Hinged Doors Only).....	1
6	SC-066-06	Mach. Screw 10-24 x 1/2 Phil. Truss Hd. (SST).....	2
7	FE-024-88	Lock Nut 1/2 Electrical.....	AR
8	FE-022-84	Connector - Strain Relief.....	AR
9	PB-004-08	Plug Button Heyco 2703.....	AR
10	00-918643	Box - Door Interlock Junction.....	1
11	WS-003-47	Washer (SST).....	2
12	WL-006-17	Lockwasher 1/4 Helical (SST).....	2
13	SC-041-05	Cap Screw 1/4-20 x 5/8 Hex Hd. (SST).....	2



**LOWER BASE PLATE ASSEMBLY
(NEW CONTROLS)**

**LOWER BASE PLATE ASSEMBLY
(NEW CONTROLS)**

ILLUS.	PART NO.	NAME OF PART	AMT.
PL-58298			
1	SD-038-02	Self-Tapping Screw 6-20 x 5/8 Phil. Pan Hd., Type B.....	AR
2	00-948104	Contactora (8 Amp., 3-Pole).....	1
3	00-948105-00001	Relay - Overload (200-480 V.) (Blower Dryer).....	1
4	00-948105-00004	Relay - Overload (600 V.) (Blower Dryer).....	1
5	00-087713-039-2	Contactora (30 Amp., 3-Pole) (Auto-Timer Only) (Electric Heat) (FT900D & FT900SD)	1
6	00-087713-040-2	Contactora (30 Amp., 3-Pole) (Steam Heat) (FT900D & FT900SD).....	1
7	SD-008-25	Self-Tapping Screw 10-16 x 1/2 Phil. Pan Hd., Type B.....	AR
8	00-918322	Contactora (40 Amp., 3-Pole) (Electric Heat) (Blower Dryer).....	2
9	00-294500-00056	Transformer (30 VA, 50/60 Hz.).....	1
10	SD-008-18	Self-Tapping Screw 8-18 x 3/8 Phil. Bndg. Hd., Type B.....	AR
11	00-919472-00002	Board Assy. - Relay.....	1
12	FE-021-19	Fuse (3.2 Amp., 250 V.).....	1
13	FE-022-29	Fuse (250 V.) (1 Amp.).....	1
14	00-918572-00004	Harness - Frequency Drive.....	1
15	00-918580	Cable - Frequency Drive.....	1
16	00-476653	Spacer - Circuit Board.....	AR
17	00-294325-00009	Terminal Board Assy.....	1
18	SD-019-29	Self-Tapping Screw 6-20 x 1/2 Phil. Pan Hd., Type B.....	AR
19	00-087714-046-1	Relay (2-Pole) (30 Amp.).....	1
20	SD-008-25	Self-Tapping Screw 10-16 x 1/2 Phil. Pan Hd., Type B.....	2
21	WL-014-07	Lockwasher #10 External Shakeproof (SST).....	2
22	00-294677-00004	Clamp - Wire (1 I.D.).....	AR
23	00-087714-046-1	Relay (2-Pole) (30 Amp.) (FT900D & FT900SD).....	1
24	00-087713-040-2	Contactora (30 Amp., 3-Pole).....	1
25	00-918322	Contactora (40 Amp., 3-Pole) (Electric Heat).....	2
26	SD-019-02	NLA - Obsolete--Self-Tapping Screw 10-16 x 1/2 Phil. Flat Hd., Type B.....	AR
27	00-476946-00001	D-Clamp (With Keeper Bar).....	AR
28	00-918441	Base Plate - Main Control Box.....	1
29	00-294325-013-1	Terminal Block (FT900 & FT900S).....	1
30	00-294325-013-5	Block - Terminal (FT900D & FT900SD).....	2
31	00-087713-040-2	Contactora (30 Amp., 3-Pole) (FT900D & FT900SD).....	2
32	00-918838	Bracket - Terminal Mounting (Steam Heat).....	1
33	00-918385	Block - Terminal (5-Pole) (Steam Heat).....	2
34	00-294681-031-4	Thermostat - Tank Heat (Steam Boosters).....	AR
35	00-475207	Thermostat Insulator (Steam Heat).....	2
36	00-918322	Contactora (40 Amp., 3-Pole) (Electric Heat).....	2
37	00-087713-040-2	Contactora (30 Amp., 3-Pole).....	2
38	00-918833	Retainer - Cable.....	1
39	FE-026-22	Bushing - Electrical (Steam Booster).....	AR
40	00-936406	Kit - Inverter Frequency.....	1
41	SD-008-18	Self-Tapping Screw 8-18 x 3/8 Phil. Bndg. Hd., Type B.....	2
42	00-476372	Bracket - Switch.....	1
43	00-087711-147-1	Switch - Conveyor Reverse.....	1
44	00-919471-00003	Board Assy. - Control.....	1
45	00-918579	Cable - Jumper.....	1
46	00-918572-00001	Harness - Main Control Box.....	1
47	00-918568-00022	Cable - Door Interlock.....	1



**BOTTOM BASE PLATE ASSEMBLY
(NEW CONTROLS)**

**BOTTOM BASE PLATE ASSEMBLY
(NEW CONTROLS)**

ILLUS.	PART NO.	NAME OF PART	AMT.
PL-58294			
1	00-855028-00001	Block - Fuse.....	1
2	SD-008-18	Self-Tapping Screw 8-18 x 3/8 Phil. Bndg. Hd., Type B.....	2
3	FE-025-24	Fuse (600 V., 15 Amp.).....	2
4	00-294500-046-2	Transformer (300 V., 50-60 Hz.).....	1
5	WL-014-07	Lockwasher #10 External Shakeproof (SST).....	4
6	SD-008-25	Self-Tapping Screw 10-16 x 1/2 Phil. Pan Hd., Type B.....	4
7	00-918491	Base Plate - Transformer.....	1
8	00-294500-00053	Transformer 500 VA (480 V., 50/60 Hz.).....	1
9	00-294500-00035	Transformer 500 VA (380/415 V., 50/60 Hz.).....	1
10	00-294500-00038	Transformer 500 VA (600 V., 60 Hz.).....	1
11	WL-007-15	Lockwasher 1/4 External Shakeproof.....	4
12	SD-035-77	Self-Tapping Screw 1/4-20 x 3/8 Phil. Pan Hd., Type TT.....	4
13	00-294500-046-2	Transformer (380/415/480 V., 50-60 Hz.).....	1
14	00-294500-024-5	Transformer (600 V.) (60 Hz.).....	AR
15	WL-014-07	Lockwasher #10 External Shakeproof (SST).....	4
16	SD-008-25	Self-Tapping Screw 10-16 x 1/2 Phil. Pan Hd., Type B.....	4
17	00-918491	Base Plate - Transformer.....	1
18	00-294436-00003	Block - Fuse.....	1
19	SD-019-29	Self-Tapping Screw 6-20 x 1/2 Phil. Pan Hd., Type B.....	1
20	FE-017-03	Fuse (2 Amp.) Slo-Blo.....	1

Item Number	Cable Designation	Description	Length (Inches)
1	J2	Door Interlock Cable (Control Box to 7TB)	224
2	J3	Water Valve Cable (Control Box to 8TB)	224
3	J5	Electric Heat Control Box Harness (FT900 & FT900D)	n/a
4	J5	Electric Heat Control Box Harness (FT900S & FT900SD)	n/a
5	J6	Electric Booster Control Cable (Control Box to Booster)	100
6	J8	Load Start/Stop Switch Box Cable (Control Box to Switch Box)	335
7	J9	Unload Start/Stop Switch Box Cable (Control Box to Switch Box)	206
8	J10	Tank "D" / Dual Rinse Cable (Control Box to Float Box)	97
9	J11	Tank "3" / Prewash Cable (Control Box to Float Box)	220
10	J12	Tank "1" Rinse Cable (Control Box to Float Box)	125
11	J13	Tank "2" Rinse Cable (Control Box to Float Box)	178
12	J14	Frequency Inverter Harness (Control Board to Inverter)	n/a
13	J15	Final Rinse Probe (Control Box to Final Rinse Probe)	167
14	J16	Control Board Jumper (Booster Input) (External Steam Booster)	n/a
15	J16	Cable - Thermister / Thermostat (Internal Electric Booster)	110
16	J21	Display Cable (Display to Control Board)	n/a
17	J22	Keypad Cable (Keypad to Control Board)	n/a
18	1MTR	Tank "1" Motor Cable	132
19	2MTR	Tank "2" Motor Cable	183
20	3MTR	Tank "3" Motor Cable	229
21	4MTR	Conveyor Motor Cable (Previous Construction)	194
22	4MTR	Conveyor Motor Cable (Current Construction)	194
23	6MTR	Blower Dryer Motor Cable	125
24	7MTR	Flush Pump Motor Cable	313
25	8MTR	Dual Rinse Motor Cable	112
26	1SOL	Tank "2" Fill Valve Cable (8TB to Valve)	169
27	2SOL	Tank "1 & 3" Fill Valve (8TB to Valve)	169
28	3SOL	Final Rinse Valve Cable (8TB to Valve)	169
29	4SOL	Dual Rinse Tank Heat Steam Valve	169
30	6SOL	Energy Recovery Cold Water Valve	169
31	7SOL	Energy Recovery Hot Water Valve	169
32	8SOL	Prewash Temperature Valve (8TB to Valve)	169
33	9SOL	Tank "2" Steam Valve Cable (11TB to Valve)	169
34	10SOL	Tank "1" Steam Valve Cable (11TB to Valve)	169
35	11SOL	Steam Booster Valve Cable (11TB to Valve)	169
36	12SOL	Blower Dryer Steam Valve Cable (11TB to Valve)	169
37	1LS,2LS,3LS 7LS,8LS,9LS	Door Interlock Switch (Switch to 7TB)	n/a
38	5LS	Jam Switch Cable (Jam Switch to Unload Start/Stop Switch Box)	n/a
39	6LS	Dish Limit Switch Cable (Switch to Unload Start/Stop Switch Box, 9TB)	n/a
40	3TAS/5TAS	High Limit Jumper Cable (Float Box to Heat Box, Dual Rinse Tank)	n/a
41	NA	Control Box Main Harness (Incls. J7)	n/a
42	NA	Steam Heat Control Box Harness	n/a
43	NA	Jumper Cable (Control Board to Relay Board)	n/a
44	NA	Cable, Frequency Drive Comm.	n/a
45	NA	Tank "2" Heater Harness, L - R (Control Box to Heater Box)	n/a
46	NA	Tank "2" Heater Harness, R - L (Control Box to Heater Box)	n/a
47	NA	Tank "1" Heater Harness, L - R (Control Box to Heater Box)	n/a
48	NA	Tank "1" Heater Harness, R - L (Control Box to Heater Box)	n/a
49	NA	Tank "1" Heater Harness, L - R (Control Box to Heater Box)	n/a
50	NA	Tank "1" Heater Harness, R - L (Control Box to Heater Box)	n/a

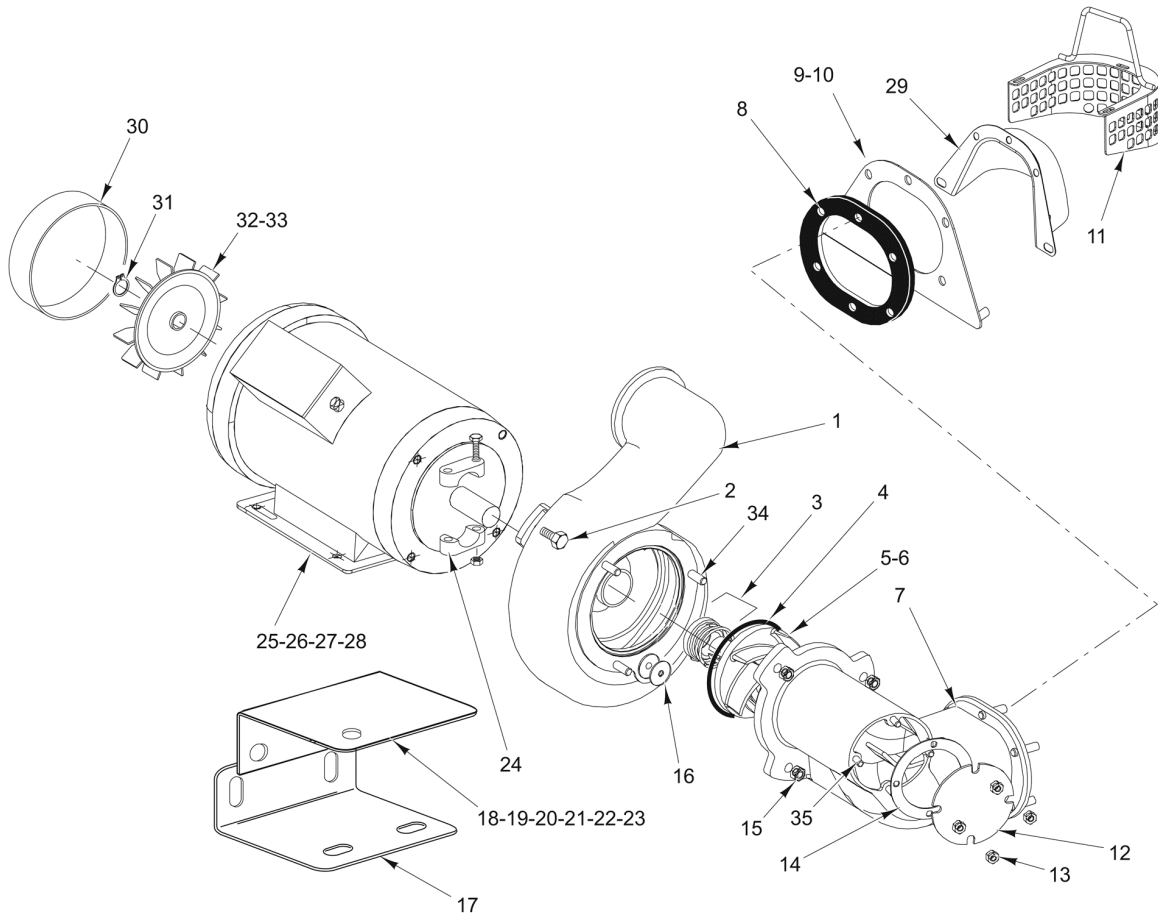
PL-60322

CONTROL BOX WIRE HARNESSSES

CONTROL BOX WIRE HARNESSSES

ILLUS. PL-60322	PART NO.	NAME OF PART	AMT.
*1	00-918568-00002	Cable Assy.....	AR
*2	00-918568-003-1	Cable Assy.....	AR
*3	00-918572-00002	Harness - Wire.....	AR
*4	00-918572-00005	Harness - Wire.....	AR
*5	00-918568-00001	Cable Assy.....	AR
*6	00-918568-004-2	Cable Assy.....	AR
*7	00-918568-005-2	Cable Assy.....	AR
*8	00-918568-006-1	Cable Assy.....	AR
*9	00-918568-007-2	Cable Assy.....	AR
*10	00-918568-008-2	Cable Assy.....	AR
*11	00-918568-009-1	Cable Assy.....	AR
*12	00-918572-00004	Harness - Frequency Drive.....	AR
*13	00-918568-00011	Cable Assy.....	AR
*14	00-918568-00012	Cable Assy.....	AR
*15	00-918568-00027	Cable Assy.....	AR
*16	00-918577	Cable - Ribbon.....	AR
*17	00-918576	Cable - Ribbon.....	AR
*18	00-918568-016-1	Cable Assy.....	AR
*19	00-918568-015-1	Cable Assy.....	AR
*20	00-918568-014-1	Cable Assy.....	AR
*21	00-918568-013-2	Cable Assy. (Previous Construction).....	AR
*22	00-918568-029-2	Cable Assy. (Current Construction).....	AR
*23	00-918568-00010	Cable Assy.....	AR
*24	00-918568-017-1	Cable Assy.....	AR
*25	00-918568-00019	Cable Assy.....	AR
*26	00-918568-021-5	Cable Assy.....	AR
*27	00-918568-021-5	Cable Assy.....	AR
*28	00-918568-021-5	Cable Assy.....	AR
*29	00-918568-021-5	Cable Assy.....	AR
*30	00-918568-021-5	Cable Assy.....	AR
*31	00-918568-021-5	Cable Assy.....	AR
*32	00-918568-021-5	Cable Assy.....	AR
*33	00-918568-021-5	Cable Assy.....	AR
*34	00-918568-021-5	Cable Assy.....	AR
*35	00-918568-021-5	Cable Assy.....	AR
*36	00-918568-021-5	Cable Assy.....	AR
*37	00-473109-005-4	Switch - Interlock (New Controls).....	AR
*38	00-918568-00020	Cable Assy.....	AR
*39	00-473109-005-4	Switch - Interlock (New Controls).....	AR
*40	00-918568-00018	Cable Assy.....	AR
*41	00-918572-00001	Harness - Main Control Box (Incls. J7).....	AR
*42	00-918572-00003	Harness - Wire.....	AR
*43	00-918579	Cable - Jumper.....	AR
*44	00-918580	Cable - Frequency Drive.....	AR
*45	00-919764-00001	Harness - Wire.....	AR
*46	00-919764-00002	Harness - Wire.....	AR
*47	00-919764-00003	Harness - Wire.....	AR
*48	00-919764-00004	Harness - Wire.....	AR
*49	00-919764-00005	Harness - Wire.....	AR
*50	00-919764-00006	Harness - Wire.....	AR

* (See Chart on Graphic for Usage.)

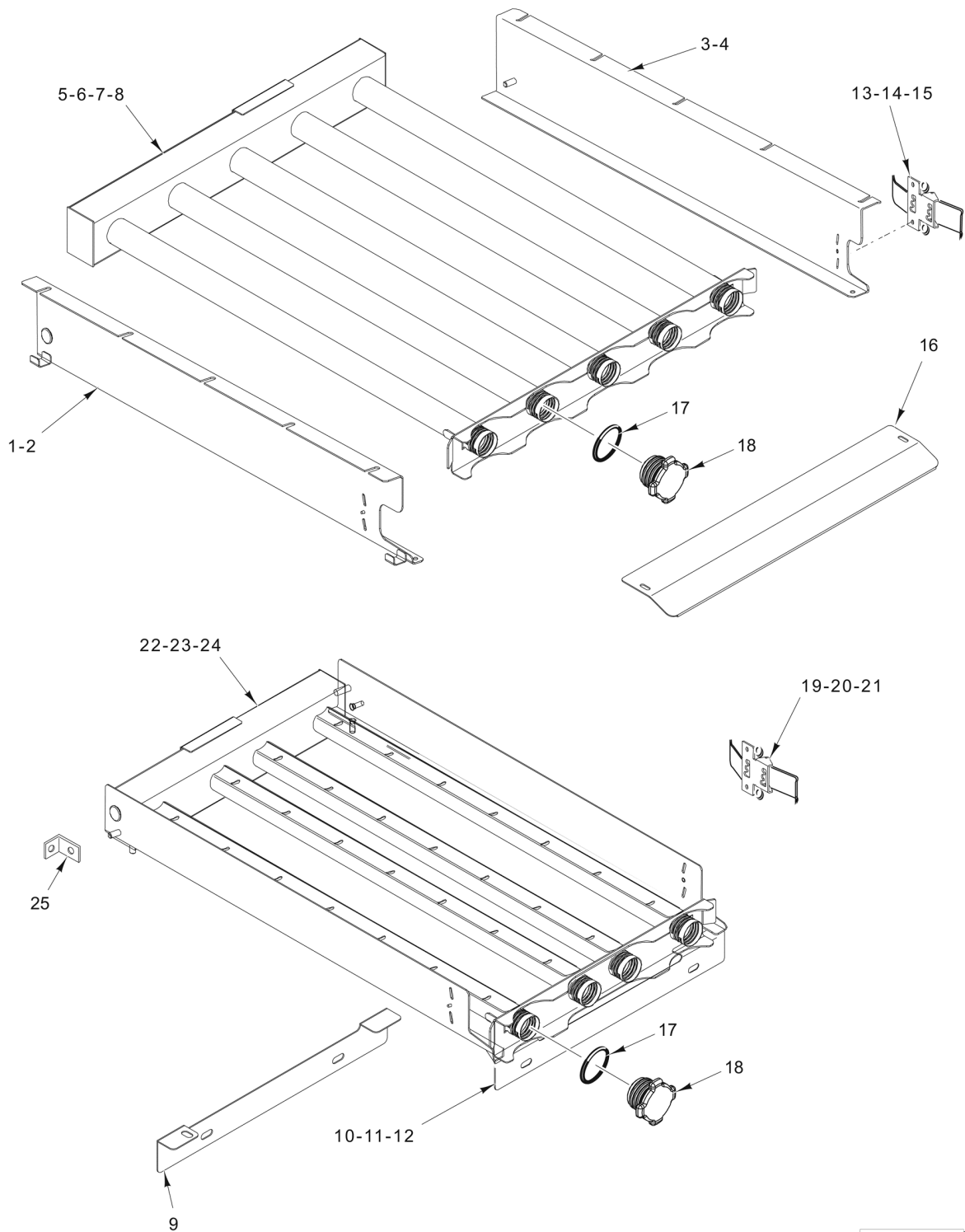


PL-60308

**WASH/RINSE SYSTEM
(PUMP & MOTOR)**

**WASH/RINSE SYSTEM
(PUMP & MOTOR)**

ILLUS. PL-60308	PART NO.	NAME OF PART	AMT.
1	00-476738-00006	Housing - Pump (With Studs) (Incls. Item 34).....	1
2	SC-041-29	Cap Screw 3/8-16 x 7/8 Hex Hd. (SST).....	4
3	00-476738-00007	Seal Assy.....	1
4	00-476738-00009	O-Ring - Suction Flange.....	1
5	00-476738-00015	Impeller Assy. (Wash/Rinse) (50 Hz.).....	1
6	00-476738-00010	Impeller Assy. (Wash/Rinse) (60 Hz.).....	1
7	00-476738-00012	Flange - Suction (With Studs) (Incls. Item 35).....	1
8	00-476091	Gasket - Pump.....	1
9	00-476495	Stiffener - Shroud.....	1
10	00-545595	Sealer (1/8 Rd.).....	AR
11	00-476410	Strainer - Pump.....	1
12	00-476738-00014	Plate - Cover (Clean Out).....	1
13	NS-015-01	Nut 1/4-20 Hex (SST).....	4
14	00-476738-00013	Gasket - Clean Out.....	1
15	NS-015-11	Nut 5/16-18 Hex (SST).....	3
16	00-476738-00008	Gasket - Drain.....	1
17	00-748263	Support - Pump Lower.....	1
18	00-748264	Support - Pump Upper (60 Hz.).....	1
19	00-748265	Support - Pump Upper (50 Hz.).....	1
20	SC-041-14	Cap Screw 5/16-18 x 1-1/8 Hex Hd. (SST).....	4
21	WS-017-01	Washer 0.328 x 0.875 x 0.062 (SST).....	8
22	WL-014-31	Lockwasher 1/2 External Shakeproof (SST).....	4
23	NS-031-29	Stop Nut 5/16-18 Hex (SST).....	4
24	00-476738-00005	Clamp.....	1
25	00-476738-00001	Motor (208-230/460/60/3) (Incls. Items 30 & 31 - Bluffton; Incls. Items 32 & 33 - Leeson).....	1
26	00-476738-00002	Motor (200-240/380-415/50/3) (Incls. Items 30 & 31 - Bluffton; Incls. Items 32 & 33 - Leeson).....	1
27	00-476738-00003	Motor (575/60/3) (Incls. Items 30 & 31 - Bluffton; Incls. Items 32 & 33 - Leeson).....	1
28	00-476738-00004	Motor (380/60/3) (Incls. Items 30 & 31 - Bluffton; Incls. Items 32 & 33 - Leeson).....	1
29	00-476409	Shroud - Pump.....	1
30	00-476738-00020	Cover - Fan (Incls. Screws & Diverter) (Bluffton).....	1
31	00-476738-00017	Retaining Ring (Leeson).....	1
32	00-476738-00016	Fan (Leeson).....	1
33	00-476738-00019	Fan (Incls. Retainer, Screw, Lockwasher) (Bluffton).....	1
34	00-919229-00003	Stud 5/16-18 x 1-1/8.....	3
35	00-476738-00018	Stud 1/4-20.....	4

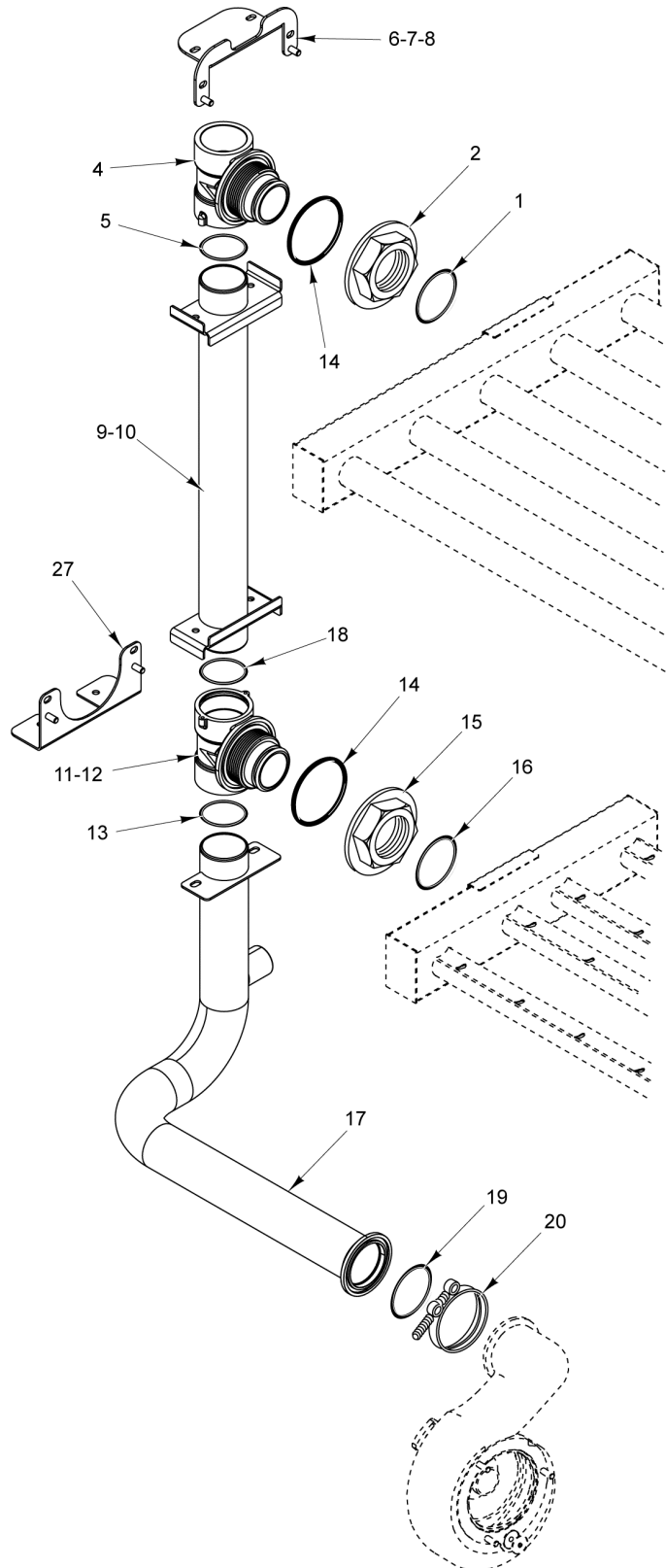
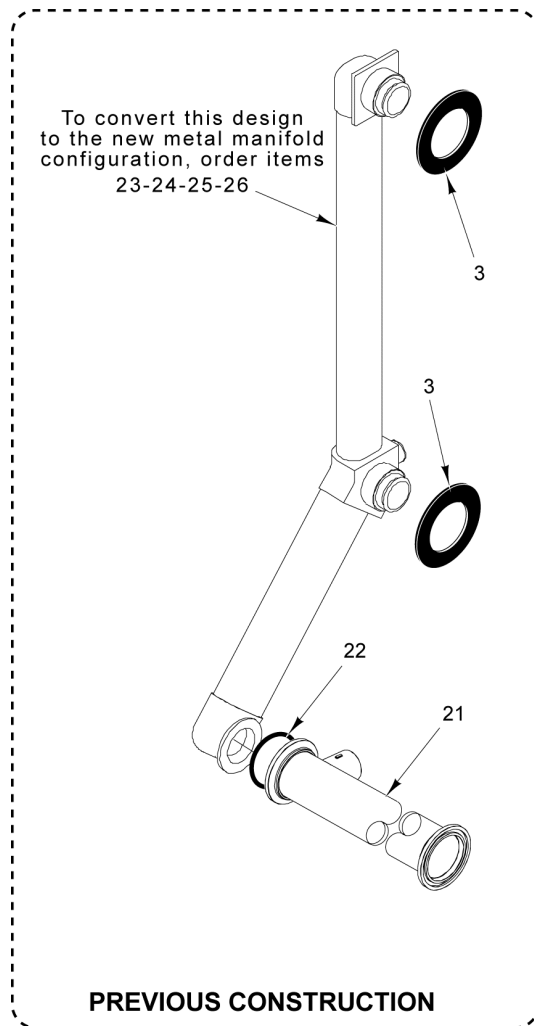


PL-55216

**WASH/RINSE SYSTEM
(WASH ARMS)**

**WASH/RINSE SYSTEM
(WASH ARMS)**

ILLUS.	PART NO.	NAME OF PART	AMT.
PL-55216			
1	00-892212-00001	Support - Upper Wash Arm (R-L RH W/Clips) (Use With Hinged Doors).....	1
2	00-892212-00002	Support - Upper Wash Arm (L-R LH W/Clips) (Use With Hinged Doors).....	1
3	00-892212-00003	Support - Upper Wash Arm (R-L RH W/O Clips) (Use With Hinged Doors).....	1
4	00-892212-00004	Support - Upper Wash Arm (L-R LH W/O Clips) (Use With Hinged Doors).....	1
5	00-748273-00001	Wash Arm (5 Tube, Upper R-L) (FT900/FT900W).....	1
6	00-892364	Wash Arm (5 Tube, Upper R-L) (FT900S).....	1
7	00-748273-00002	Wash Arm (5 Tube, Upper L-R) (FT900 & FT900W).....	1
8	00-892491	Wash Arm (5 Tube, Upper L-R) (FT900S).....	1
9	00-748527	Bracket - Spreader (Lower Wash Arm) (FT900W/FT900).....	1
10	00-476103-00001	Support Assy. - Lower Wash Arm (Center) (FT900).....	1
11	00-748529-00001	Support Assy. (R-L) (FT900S).....	1
12	00-748529-00002	Support Assy. (L-R) (FT900S).....	1
13	00-476101	Latch - Wash Arm.....	2
14	SC-093-04	Mach. Screw 8-32 x 1/2 Phil. Pan Hd. (SST).....	4
15	NS-031-08	Stop Nut 8-32 Special (SST).....	4
16	00-892206	Plate - Deflector (Hinged Door Only).....	1
17	00-067500-00127	O-Ring - AS568 Size 124 (1.237 x .103).....	9
18	00-475589	Plug - Wash Arm.....	9
19	00-476101	Latch - Wash Arm.....	2
20	SC-093-04	Mach. Screw 8-32 x 1/2 Phil. Pan Hd. (SST).....	4
21	NS-031-08	Stop Nut 8-32 Special (SST).....	4
22	00-476089	Wash Arm (4 Tube, Lower) (FT900 & FT900W).....	1
23	00-892366	Wash Arm (4 Tube, Lower R-L) (FT900S).....	1
24	00-892489	Wash Arm (4 Tube, Lower L-R) (FT900S).....	1
25	00-289828	Bracket.....	2



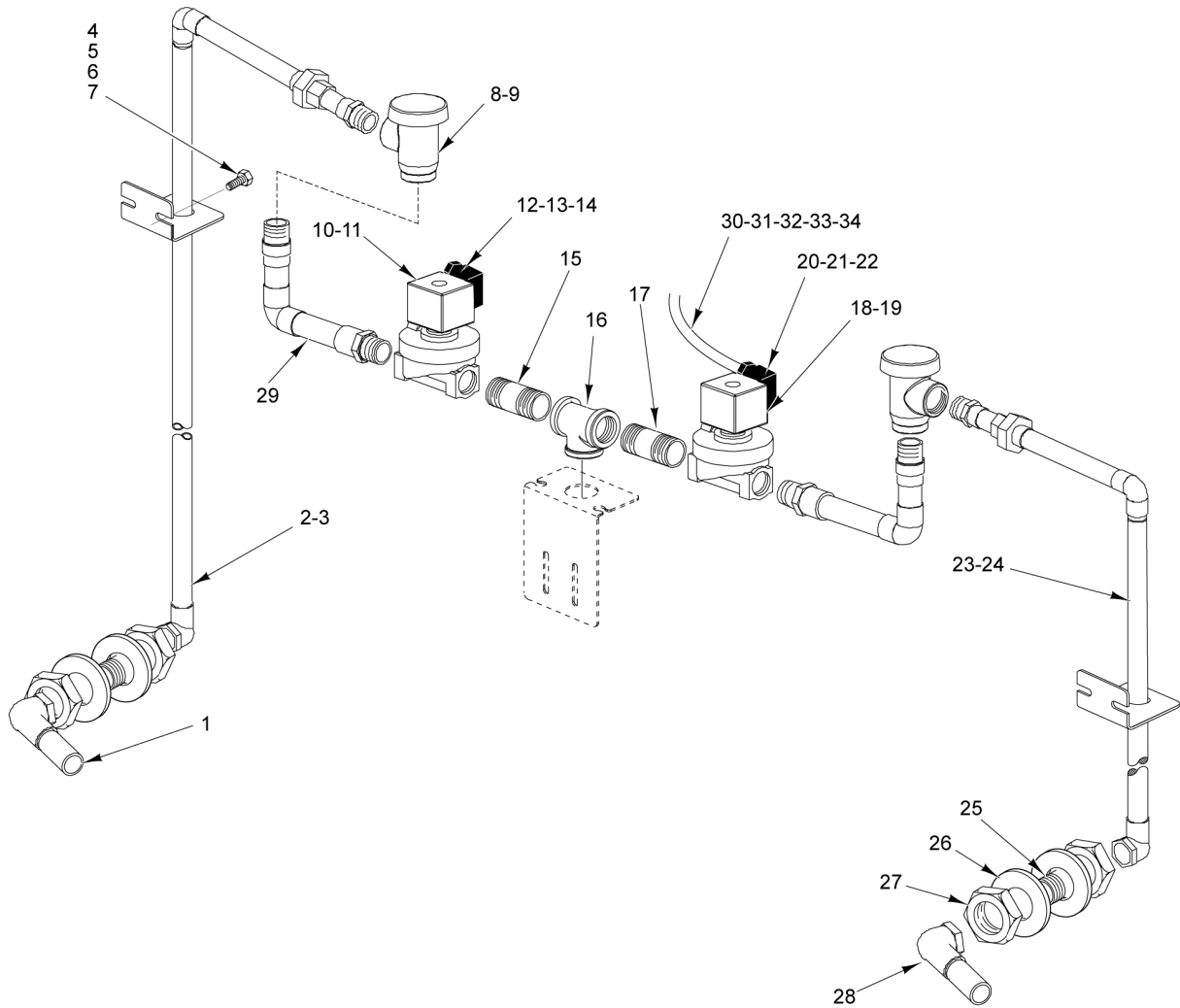
PL-60309

WASH/RINSE SYSTEM (MANIFOLD)

WASH/RINSE SYSTEM (MANIFOLD)

ILLUS.	PART NO.	NAME OF PART	AMT.
PL-60309			
1	00-067500-00129	O-Ring.....	2
2	00-473460	Nut - Manifold.....	2
3	00-749370	Gasket - Seal 0.093 x 3.00 (Previous Construction).....	2
4	00-941862-00004	Manifold - Elbow.....	1
5	00-067500-00062	O-Ring.....	1
6	00-948108	Bracket - Manifold (Upper).....	1
7	SC-131-78	Cap Screw 1/4-20 x 6 Hex Hd. (SST).....	AR
8	WS-017-06	Washer (SST).....	AR
9	00-941868-00001	Tube Weldment - Feed (Standard Height).....	1
10	00-941868-00002	Tube Weldment - Feed (6 In. Higher Than Standard).....	1
11	00-941862-00007	Manifold - Tee (FT900 & FT900D).....	1
12	00-941862-00003	Manifold - Tee (FT900S & FT900SD).....	1
13	00-067500-00062	O-Ring.....	1
14	00-067500-00132	O-Ring.....	2
15	00-473460	Nut - Manifold.....	2
16	00-067500-00129	O-Ring.....	2
17	00-941932	Tubing - Pump Discharge.....	1
18	00-067500-00062	O-Ring.....	1
19	00-067500-00131	O-Ring.....	2
20	00-476098	Clamp - Discharge Tube.....	2
21	00-476094-00001	Tube - Pump Discharge (Center).....	1
22	00-067500-00131	O-Ring.....	2
*23	00-948509-00001	Kit - Manifold (Standard Height) (FT900 & FT900D).....	1
*24	00-948509-00002	Kit - Manifold (6 In. Higher Than Standard) (FT900 & FT900D).....	1
*25	00-948509-00003	Kit - Manifold (Standard Height) (FT900S & FT900SD).....	1
*26	00-948509-00004	Kit - Manifold (6 In. Higher Than Standard) (FT900S & FT900SD).....	1
27	00-942137	Bracket - Manifold (Input).....	1

* (Used to convert Previous Construction to new metallic design.)

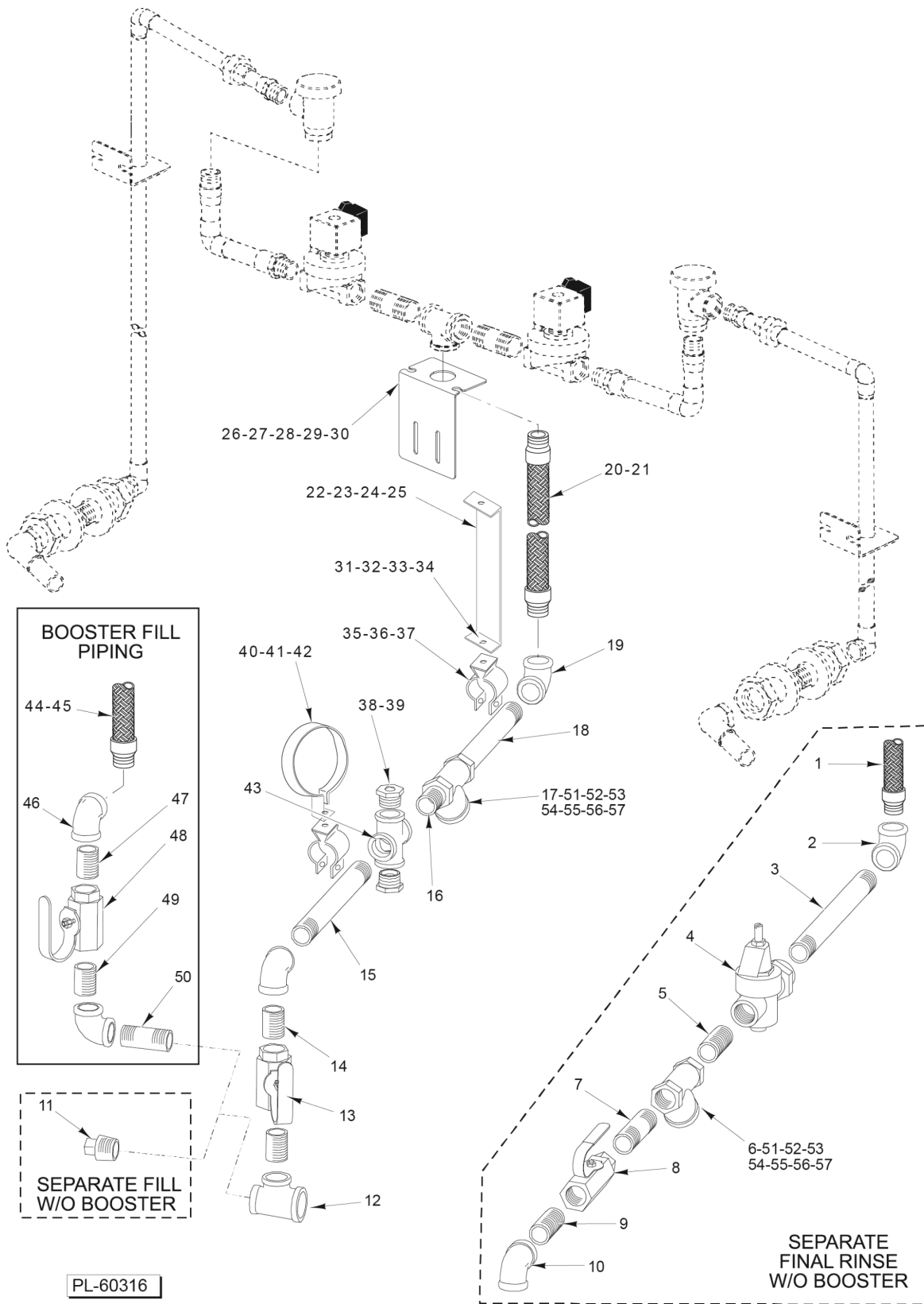


PL-58029

**FILL PIPING
(UPPER)
(3/4 IN. STYLE)
(PREVIOUS CONSTRUCTION)**

**FILL PIPING
(UPPER)
(3/4 IN. STYLE)
(PREVIOUS CONSTRUCTION)**

ILLUS. PL-58029	PART NO.	NAME OF PART	AMT.
1	00-476386	Piping Assy. (Inside Fill).....	2
2	00-476290-00004	Piping - Lower Fill (RH, Standard Height).....	1
3	00-476290-00002	Piping - Lower Fill (RH, 6 In. Higher Than Standard).....	1
4	SC-041-11	Cap Screw 5/16-18 x 3/4 Hex Hd. (SST).....	4
5	WS-017-08	Washer (0.328 x 0.625 x 0.062) (SST).....	4
6	WL-006-23	Lockwasher 5/16 Helical (SST).....	4
7	NS-015-11	Nut 5/16-18 Hex (SST).....	4
8	00-277112	Vacuum Breaker (3/4).....	2
9	00-118270	Service Kit - Vacuum Breaker (Float & Seal Assy.).....	AR
10	00-749980	Valve - Solenoid 3/4 (110-120/50/60).....	1
11	00-892133	Repair Kit - Solenoid Valve.....	1
12	00-476615	Connector - Din.....	1
13	FE-022-43	Bushing - Electric Snap.....	1
14	00-892132	Coil - Solenoid Valve (120 V.).....	1
15	FP-041-50	Pipe 3/4 x 1-3/8 TBE (Brass).....	1
16	FP-019-28	Tee - Pipe 3/4 x 3/4 x 3/4 (Brass).....	1
17	FP-041-50	Pipe 3/4 x 1-3/8 TBE (Brass).....	1
18	00-749980	Valve - Solenoid 3/4 (110-120/50/60).....	1
19	00-892133	Repair Kit - Solenoid Valve.....	1
20	00-476615	Connector - Din.....	1
21	FE-022-43	Bushing - Electric Snap.....	1
22	00-892132	Coil - Solenoid Valve (120 V.).....	1
23	00-476290-00003	Piping - Lower Fill (LH, Standard Height).....	1
24	00-476290-00001	Piping - Lower Fill (LH, 6 In. Higher Than Standard).....	1
25	FP-043-94	Pipe 3/4 x 2 TBE (1-1/4 RTOE) (Brass).....	2
26	WS-013-45	Washer.....	4
27	FP-030-17	Lock Nut 3/4 NPSL Pipe (Brass).....	4
28	00-476386	Piping Assy. (Inside Fill).....	2
29	00-476285	Pipe - Upper Fill.....	2
30	00-476745-00005	Cable Assy. - Wash Fill Valve.....	1
31	00-476745-00006	Cable Assy. - Rinse/Prewash Fill Valve.....	1
32	00-476751-00009	Cable Assy. - Left Tank Fill (L-R).....	1
33	00-476751-00003	Cable Assy. - Right Tank Fill (R-L).....	1
34	00-476751-00010	Cable Assy. - Right Tank Fill (L-R).....	1



**FILL PIPING
(LOWER)
(3/4 IN. STYLE)
(PREVIOUS CONSTRUCTION)**

**FILL PIPING
(LOWER)
(3/4 IN. STYLE)
(PREVIOUS CONSTRUCTION)**

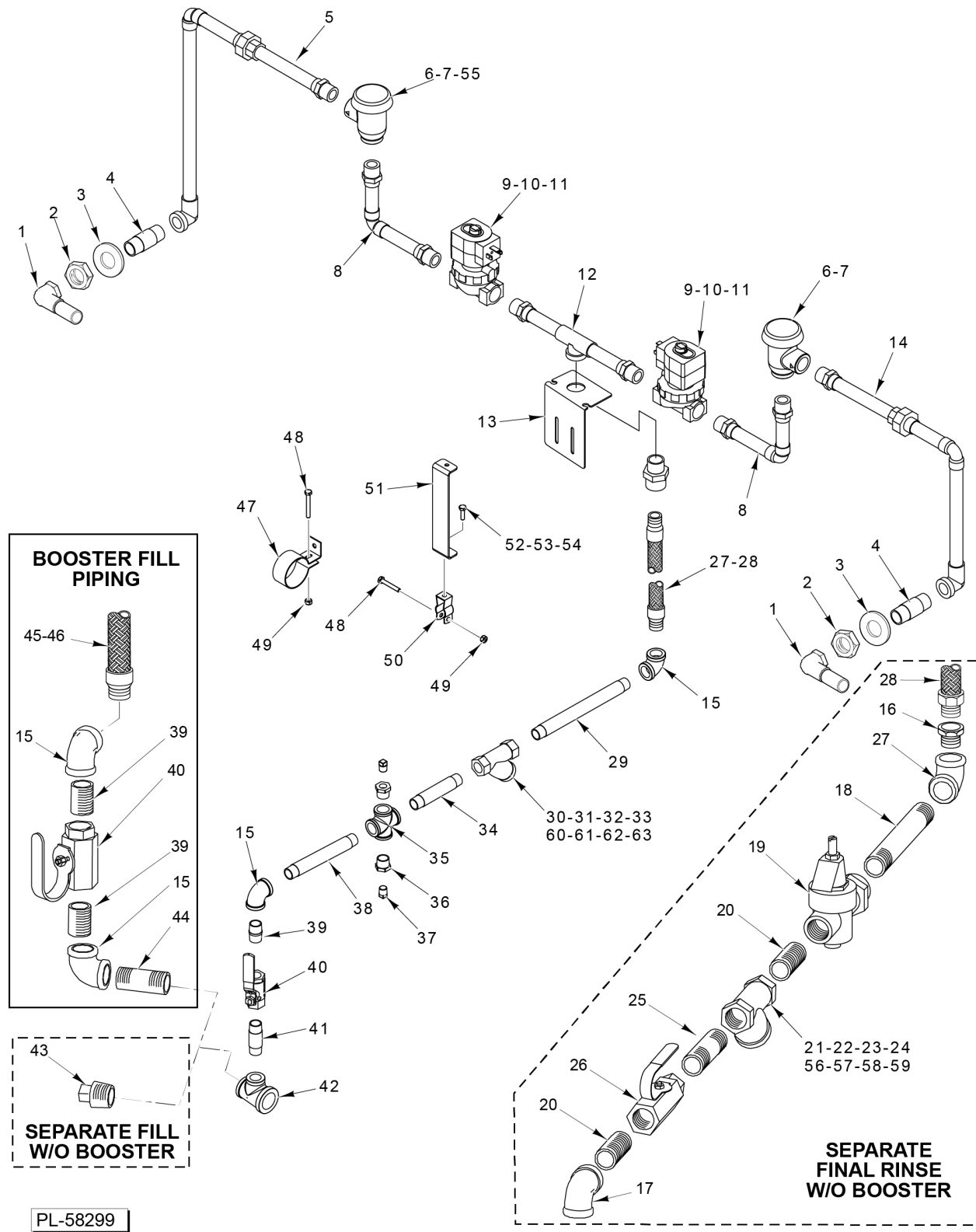
ILLUS. PL-60316	PART NO.	NAME OF PART	AMT.
1	00-749153-00002	Hose - Water (Braided) (84 In.) (FT900 & FT900S).....	1
2	FP-015-23	Elbow 3/4 x 90 Deg. (Brass).....	2
3	FP-042-31	Pipe 3/4 x 12-1/4 TBE (Brass).....	1
4	00-893294	Valve - Pressure Regulating (3/4 In.).....	1
5	FP-041-50	Pipe 3/4 x 1-3/8 TBE (Brass).....	2
*6	00-186922	Strainer - Line (3/4 In.) (Brass) (Kitz) (Incls. Items 51, 52, & 53) (Alternate to Item 54)	1
7	FP-041-57	Pipe 3/4 x 2-1/4 TBE (Brass).....	1
8	00-223220-00003	Valve 3/4 In. Ball.....	1
9	FP-041-50	Pipe 3/4 x 1-3/8 TBE (Brass).....	2
10	FP-015-23	Elbow 3/4 x 90 Deg. (Brass).....	2
11	FP-028-19	Pipe Plug 3/4 Sq. Hd. (Brass).....	1
12	FP-019-40	Tee - Pipe 1 x 3/4 x 3/4 (Brass).....	1
13	00-223220-00003	Valve 3/4 In. Ball.....	AR
14	FP-041-50	Pipe 3/4 x 1-3/8 TBE (Brass).....	AR
15	FP-042-20	Pipe 3/4 x 9-1/2 TBE (Brass).....	1
16	FP-041-66	Pipe 3/4 x 3 TBE (Brass).....	1
*17	00-186922	Strainer - Line (3/4 In.) (Brass) (Kitz) (Incls. Items 51, 52, & 53) (Alternate to Item 54)	1
18	FP-042-31	Pipe 3/4 x 12-1/4 TBE (Brass).....	1
19	FP-015-23	Elbow 3/4 x 90 Deg. (Brass).....	2
20	00-749153-00001	Hose - Water 3/4 x 66 In. (Braided) (SST) (R-L) (Standard Height).....	1
21	00-749153-00002	Hose - Water 3/4 x 84 In. (Braided) (SST) (R-L) (6 In. Higher Than Standard).....	1
22	SC-041-50	Cap Screw 1/4-20 x 1/2 Hex Hd. (SST).....	2
23	WL-006-17	Lockwasher 1/4 Helical (SST).....	2
24	NS-015-01	Nut 1/4-20 Hex (SST).....	2
25	00-476007	Support - Fill Piping.....	1
26	00-476286	Support - Fill Piping.....	1
27	SC-041-11	Cap Screw 5/16-18 x 3/4 Hex Hd. (SST).....	2
28	WS-017-08	Washer (0.328 x 0.625 x 0.062) (SST).....	2
29	WL-006-23	Lockwasher 5/16 Helical (SST).....	2
30	NS-015-11	Nut 5/16-18 Hex (SST).....	2
31	SC-041-11	Cap Screw 5/16-18 x 3/4 Hex Hd. (SST).....	4
32	WS-017-08	Washer (0.328 x 0.625 x 0.062) (SST).....	4
33	WL-006-23	Lockwasher 5/16 Helical (SST).....	4
34	NS-015-11	Nut 5/16-18 Hex (SST).....	4
35	NS-031-15	Stop Nut 10-24 Hex (SST).....	2
36	SC-098-06	Mach. Screw 10-24 x 1-3/4 Slotted Rd. Hd. (SST).....	2
37	00-064901	Hanger.....	2
38	FP-028-07	Pipe Plug 1/4 Sq. Hd. (Brass).....	2
39	FP-027-15	Bushing - Pipe 3/4 to 1/4.....	2
40	00-185777	Support - Pipe.....	1
41	SC-098-06	Mach. Screw 10-24 x 1-3/4 Slotted Rd. Hd. (SST).....	1
42	NS-031-15	Stop Nut 10-24 Hex (SST).....	1
43	FP-034-12	Cross - Pipe.....	1
44	00-749153-00002	Hose - Water (Braided) (84 In.) (FT900 & FT900S).....	1
45	00-749153-00005	Hose - Water (Braided) (120 In.) (FT900W).....	1
46	FP-015-23	Elbow 3/4 x 90 Deg. (Brass).....	2
47	FP-041-50	Pipe 3/4 x 1-3/8 TBE (Brass).....	AR
48	00-223220-00003	Valve 3/4 In. Ball.....	AR
49	FP-041-50	Pipe 3/4 x 1-3/8 TBE (Brass).....	AR
50	FP-041-58	Pipe 3/4 x 2-3/8 TBE (Brass).....	1
51	00-186923	Plug - Branch.....	1
52	00-186924	Gasket - Branch Plug.....	1
53	00-186925	Screen - Line Strainer.....	1
*54	00-186922	Strainer - Line (3/4 In.) (Brass) (Apollo / Conbraco) (Incls. Items 55, 56, & 57) (Alternate to Item 6 & 17).....	1
55	00-749802-00001	Cap.....	1

**FILL PIPING
(LOWER)
(3/4 IN. STYLE)
(PREVIOUS CONSTRUCTION)**

ILLUS.	PART NO.	NAME OF PART	AMT.
56	00-749802-00002	Gasket.....	1
57	00-749802-00003	Screen (80 Mesh).....	1

* Kitz line strainer is approx. 1/4" shorter than Apollo / Conbraco.

NOTES



**FILL PIPING
(1/2 IN. STYLE)
(CURRENT CONSTRUCTION)**

**FILL PIPING
(1/2 IN. STYLE)
(CURRENT CONSTRUCTION)**

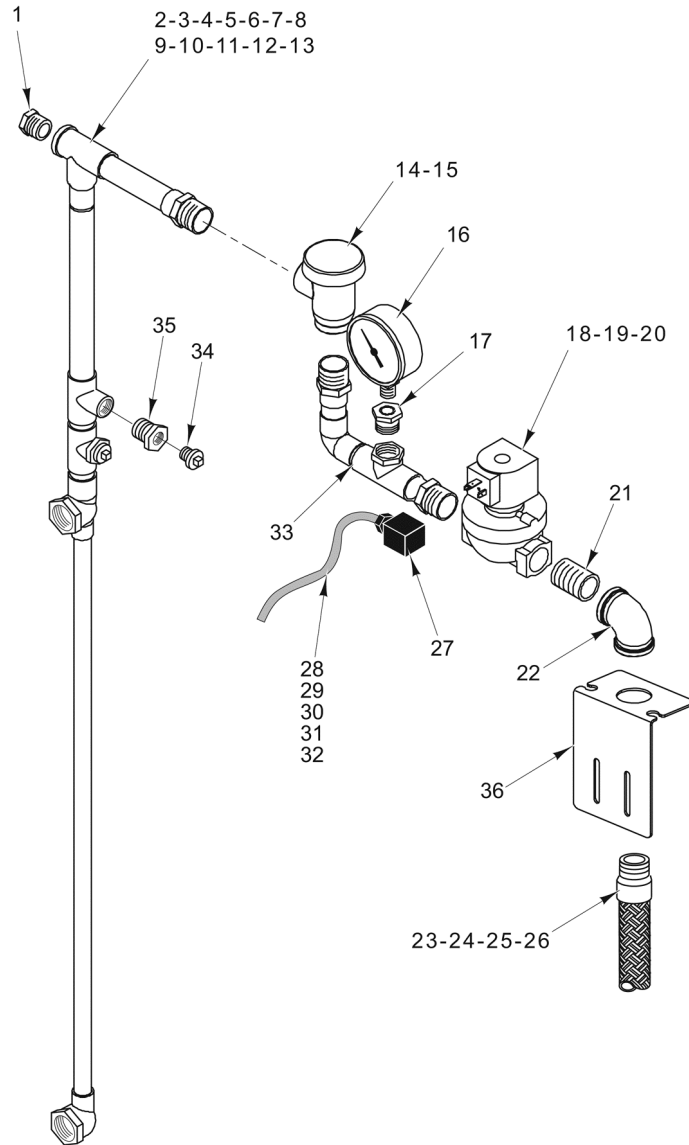
ILLUS.	PART NO.	NAME OF PART	AMT.
	PL-58299		
1	00-074957	Elbow 1/2 x 90 Deg.....	2
2	FP-030-16	Lock Nut 1/2 Pipe (Brass).....	2
3	WS-012-40	Washer (SST).....	2
4	FP-090-12	Pipe 1/2 x 2 TBE (Brass).....	2
5	00-893412-00002	Piping - Lower Fill (RH).....	1
6	00-292909-00002	Vacuum Breaker 1/2 In. (Brass).....	2
7	00-292910	Service Kit - Vacuum Breaker.....	2
8	00-893411	Piping - Upper Fill.....	2
9	00-893100-00001	Solenoid Valve (1/2) (120 V.).....	2
10	00-893101	Service Kit - 1/2 Solenoid Valve.....	2
11	00-892132	Coil - Solenoid Valve (120 V.).....	2
12	00-893449	Piping - Fill Tee.....	1
13	00-476286-00002	Support - Fill Piping.....	1
14	00-893412-00001	Piping - Lower Fill (LH).....	1
15	FP-015-16	Elbow - Pipe 1/2 x 90 Deg. (Brass).....	4
16	FP-027-22	Bushing - Pipe 3/4 to 1/2 (Brass).....	1
17	FP-015-23	Elbow 3/4 x 90 Deg. (Brass).....	2
18	FP-042-31	Pipe 3/4 x 12-1/4 TBE (Brass).....	1
19	00-893294-00003	Valve - Pressure Reducing (3/4 In. With Strainer).....	1
20	FP-041-50	Pipe 3/4 x 1-3/8 TBE (Brass).....	2
*21	00-186922	Strainer - Line (3/4 In.) (Brass) (Kitz) (Incls. Items 22, 23, & 24) (Alternate to Item 56)	1
22	00-186923	Plug - Branch.....	1
23	00-186924	Gasket - Branch Plug.....	1
24	00-186925	Screen - Line Strainer.....	1
25	FP-041-57	Pipe 3/4 x 2-1/4 TBE (Brass).....	1
26	00-223220-00003	Valve 3/4 In. Ball.....	1
27	00-893444-00001	Hose - Water (Braided) (66 In.) (SST).....	AR
28	00-893444-00002	Hose - Water (Braided) (84 In.) (SST).....	AR
29	FP-041-16	Pipe 1/2 x 12 TBE (Brass).....	1
**30	00-270258	Strainer - Line (1/2) (Brass) (Kitz) (Incls. Items 31, 32, & 33) (Alternate to Item 60)	1
31	00-270259	Plug - Branch.....	1
32	00-270260	Screen - Strainer (1/2 In.).....	1
33	00-270261	Gasket.....	1
34	FP-040-72	Pipe 1/2 x 3-3/4 (Brass).....	1
35	FP-034-02	Cross - Pipe 1/2 x 1/2 x 1/2 x 1/2 (Brass).....	1
36	FP-027-07	Bushing - Pipe 1/2 to 1/4 (Brass).....	2
37	FP-028-07	Pipe Plug 1/4 Sq. Hd. (Brass).....	2
38	FP-041-08	Pipe 1/2 x 9-3/8 TBE (Brass).....	1
39	FP-040-43	Pipe 1/2 x 1-1/4 TBE (Brass).....	3
40	00-893520	Ball Valve 1/2.....	2
41	FP-040-50	Pipe 1/2 x 2 TBE (Brass).....	1
42	FP-090-11	Tee - Pipe 1 x 1/2 x 1/2 (Brass).....	1
43	FP-028-15	Pipe Plug 1/2 Sq. Hd. (Brass).....	1
44	FP-040-53	Pipe 1/2 x 2-3/4 TBE (Brass).....	1
45	00-893444-00002	Hose - Water (Braided) (84 In.) (SST).....	1
46	00-893444-00003	Hose - Water (Braided) (96 In.) (SST).....	1
47	00-185777	Support - Pipe.....	1
48	SC-098-06	Mach. Screw 10-24 x 1-3/4 Slotted Rd. Hd. (SST).....	1
49	NS-031-15	Stop Nut 10-24 Hex (SST).....	1
50	00-947844	Hanger.....	1
51	00-476007	Support - Fill Piping.....	1
52	SC-041-50	Cap Screw 1/4-20 x 1/2 Hex Hd. (SST).....	1
53	WL-006-17	Lockwasher 1/4 Helical (SST).....	1
54	NS-015-01	Nut 1/4-20 Hex (SST).....	1
55	00-292909	Vacuum Breaker 1/2 In. (Chrome).....	2

**FILL PIPING
(1/2 IN. STYLE)
(CURRENT CONSTRUCTION)**

ILLUS.	PART NO.	NAME OF PART	AMT.
PL-58299			
*56	00-186922	Strainer - Line (3/4 In.) (Brass) (Apollo / Conbraco) (Incls. Items 57, 58, & 59) (Alternate to Item 21).....	1
57	00-749802-00001	Cap.....	1
58	00-749802-00002	Gasket.....	1
59	00-749802-00001	Cap.....	1
**60	00-892921	Strainer - Line (1/2) (Brass) (Conbraco) (Incls. Items 61, 62, & 63) (Alternate to Item 29).....	1
61	00-892922-00001	Cap.....	1
62	00-892922-00002	Gasket.....	1
63	00-892922-00003	Screen.....	1

* Kitz line strainer is approx. 1/4" shorter than Apollo / Conbraco.
 ** Kitz line strainer is approx. 0.43 inches longer than Conbraco.

NOTES



PL-55219

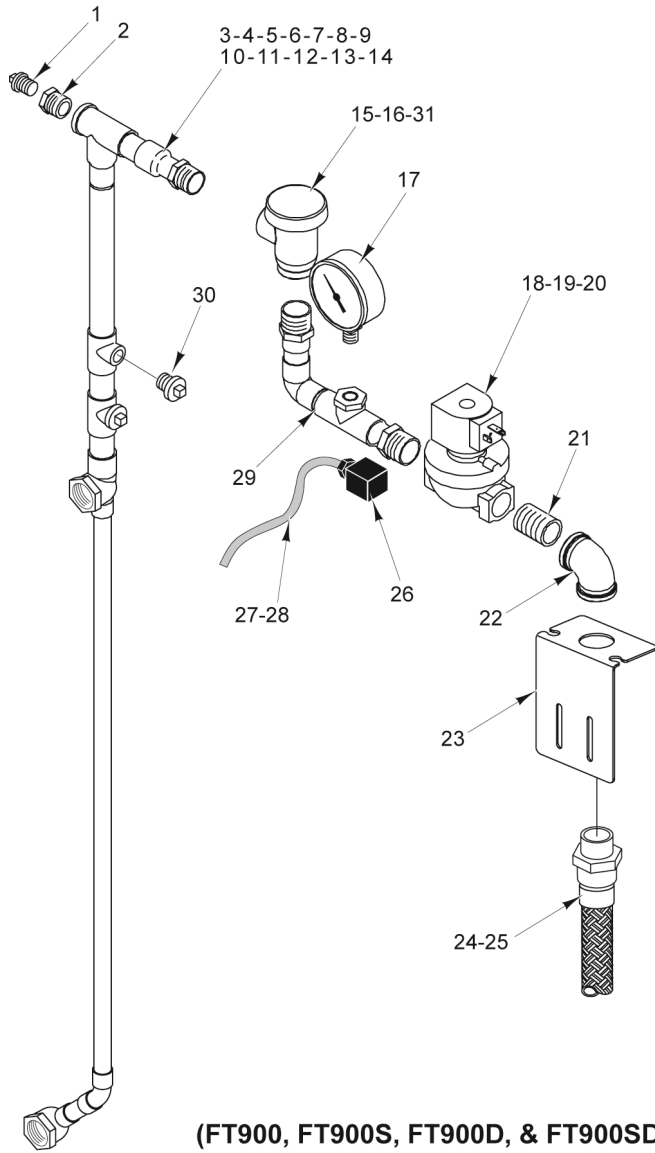
**FINAL RINSE PIPING
(PREVIOUS CONSTRUCTION)**

**FINAL RINSE PIPING
(PREVIOUS CONSTRUCTION)**

ILLUS. PL-55219	PART NO.	NAME OF PART	AMT.
1	00-107218	Coupling - Thermometer Bulb.....	1
2	00-476001-00002	Piping - Final Rinse (R-L, Standard Height) (5.4 G.P.M.) (FT900).....	1
3	00-476002-00002	Piping - Final Rinse (L-R, Standard Height) (5.4 G.P.M.) (FT900).....	1
4	00-476001-00001	Piping - Final Rinse (R-L, 6 In. Higher Than Standard) (5.4 G.P.M.) (FT900).....	1
5	00-476002-00001	Piping - Final Rinse (L-R, 6 In. Higher Than Standard) (5.4 G.P.M.) (FT900).....	1
6	00-476001-00004	Piping - Final Rinse (R-L, Standard Height) (6.5 G.P.M.) (FT900S).....	1
7	00-476002-00004	Piping - Final Rinse (L-R, Standard Height) (6.5 G.P.M.) (FT900S).....	1
8	00-476001-00005	Piping - Final Rinse (R-L, 6 In. Higher Than Standard) (6.5 G.P.M.) (FT900S).....	1
9	00-476002-00005	Piping - Final Rinse (L-R, 6 In. Higher Than Standard) (6.5 G.P.M.) (FT900S).....	1
10	00-476001-00007	Piping - Final Rinse (R-L, Standard Height) (3.3 G.P.M.) (FT900W).....	1
11	00-476002-00007	Piping - Final Rinse (L-R, Standard Height) (3.3 G.P.M.) (FT900W).....	1
12	00-476001-00006	Piping - Final Rinse (R-L, 6 In. Higher Than Standard) (3.5 G.P.M.) (FT900W).....	1
13	00-476002-00006	Piping - Final Rinse (L-R, 6 In. Higher Than Standard) (3.5 G.P.M.) (FT900W).....	1
14	00-277112	Vacuum Breaker (3/4).....	1
15	00-118270	Service Kit - Vacuum Breaker (Float & Seal Assy.).....	1
16	00-918460	Gauge - Water Pressure.....	1
17	FP-027-07	Bushing - Pipe 1/2 to 1/4 (Brass).....	1
18	00-749980	Valve - Solenoid 3/4 (110-120/50/60) (Incls. Items 19 & 20).....	1
19	00-892132	Coil - Solenoid Valve (120 V.).....	1
20	00-892133	Repair Kit - Solenoid Valve.....	1
21	FP-041-50	Pipe 3/4 x 1-3/8 TBE (Brass).....	1
22	FP-015-23	Elbow 3/4 x 90 Deg. (Brass).....	1
23	FP-087-32	Fitting - Hose (Use With Items 24, 25, & 26).....	1
24	00-749153-00001	Hose - Water 3/4 x 66 In. (Braided) (L-R).....	1
25	00-749153-00002	Hose - Water 3/4 x 84 In. (Braided) (R-L).....	1
26	00-749153-00003	Hose - Water 3/4 x 96 In. (Braided) (6 In. Higher Than Standard).....	1
27	00-476615	Connector - Din.....	1
28	00-476745-00064	Cable Assy. - Final Rinse Valve.....	1
29	00-476751-00043	Cable Assy. - Dual Rinse Temperature Probe (R-L) (FT900D).....	1
30	00-476751-00044	Cable Assy. - Dual Rinse Temperature Probe (L-R) (FT900D).....	1
31	00-476751-00045	Cable Assy. - Dual Rinse Temperature Probe (FT900SD).....	1
32	00-476751-00046	Cable Assy. - Dual Rinse Pump Motor (FT900SD).....	1
33	00-476009	Piping - Solenoid Valve to Vacuum Breaker.....	1
34	FP-028-03	Pipe Plug 1/8 Sq. Hd. (Brass).....	2
35	FP-027-06	Bushing - Pipe 1/2 To 1/8 (Brass).....	2
36	00-476286	Support - Fill Piping.....	1

**FINAL RINSE ARMS
(PREVIOUS CONSTRUCTION)**

ILLUS. PL-60323	PART NO.	NAME OF PART	AMT.
1	FP-030-17	Lock Nut 3/4 NPSL Pipe (Brass).....	1
2	WS-013-45	Washer.....	1
3	FP-043-94	Pipe 3/4 x 2 TBE (1-1/4 RTOE) (Brass).....	1
4	00-546292	Sealer.....	AR
5	00-067500-00133	O-Ring.....	1
6	00-476274-00002	Hub - Final Rinse (Lower) (FT900).....	1
7	00-476274-00003	Hub - Final Rinse (Lower) (FT900W).....	1
8	00-476274-00005	Hub - Final Rinse (Lower) (FT900S).....	1
9	00-067500-00130	O-Ring.....	1
10	00-067500-00098	O-Ring.....	1
11	RR-009-10	Retaining Ring 3/8 In. (SST).....	1
12	00-476252	Spring - T-Handle.....	1
13	00-748809-00001	Bracket - Handle Lower (R-L).....	1
14	00-748809-00002	Bracket - Handle Lower (L-R).....	1
15	00-748808	Handle - Rinse.....	1
16	00-475997-00001	Arm - Lower Final Rinse (FT900 & FT900S).....	1
17	00-475997-00002	Arm - Lower Final Rinse (FT900W).....	1
18	00-748808	Handle - Rinse.....	1
19	WL-006-23	Lockwasher 5/16 Helical (SST).....	2
20	NS-015-11	Nut 5/16-18 Hex (SST).....	2
21	00-476252	Spring - T-Handle.....	1
22	RR-009-10	Retaining Ring 3/8 In. (SST).....	1
23	00-067500-00098	O-Ring.....	1
24	00-067500-00130	O-Ring.....	1
25	00-476274-00004	Hub - Final Rinse (Upper) (FT900 & FT900S).....	1
26	00-476274-00006	Hub - Final Rinse (Upper) (FT900W).....	1
27	00-067500-00133	O-Ring.....	1
28	FP-043-94	Pipe 3/4 x 2 TBE (1-1/4 RTOE) (Brass).....	1
29	00-546292	Sealer.....	AR
30	WS-013-45	Washer.....	1
31	FP-030-17	Lock Nut 3/4 NPSL Pipe (Brass).....	1
32	WS-017-08	Washer (0.328 x 0.625 x 0.062) (SST).....	2
33	SC-053-18	Mach. Screw 5/16-18 x 7/8 Truss Hd. (SST).....	2
34	00-748810	Bracket - Handle (Upper).....	1
35	00-475999-00001	Arm - Upper Final Rinse (FT900).....	1
36	00-475999-00002	Arm - Upper Final Rinse (FT900W).....	1
37	00-475999-00003	Arm - Upper Final Rinse (FT900S).....	1

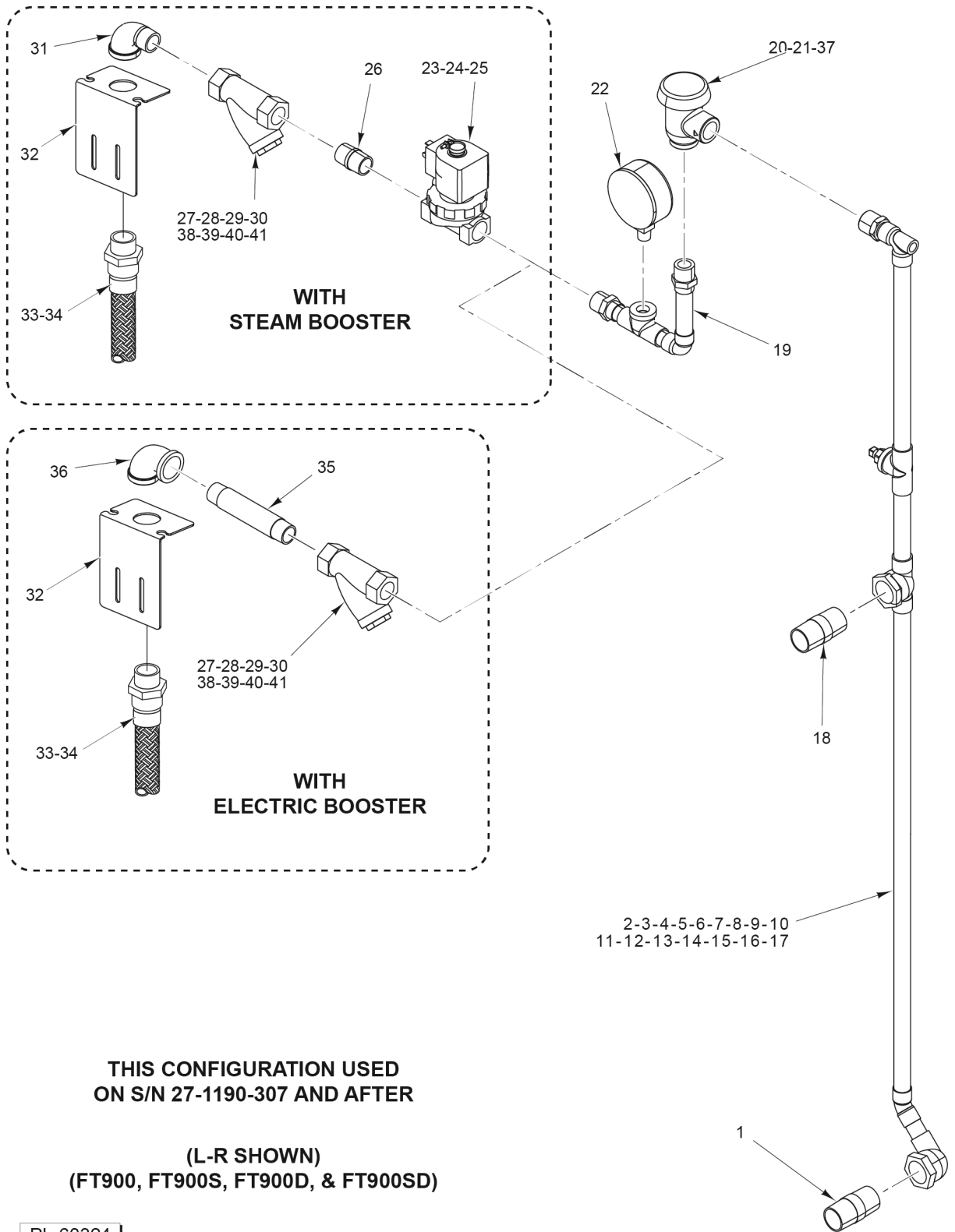


PL-57437

**FINAL RINSE PIPING
(OPTI-RINSE)
(PREVIOUS CONSTRUCTION)**

**FINAL RINSE PIPING
(OPTI-RINSE)
(PREVIOUS CONSTRUCTION)**

ILLUS.	PART NO.	NAME OF PART	AMT.
PL-57437			
1	FP-028-15	Pipe Plug 1/2 Sq. Hd. (Brass) (New Controls).....	1
2	00-107218	Coupling - Thermometer Bulb (Old Controls).....	1
3	00-918025-00001	Piping - Final Rinse (R-L, Standard Height) (FT900 & FT900S).....	1
4	00-918025-00002	Piping - Final Rinse (R-L, 6 In. Higher Than Standard) (FT900 & FT900S).....	1
5	00-918362-00003	Piping - Final Rinse (R-L, Standard Height) (FT900D).....	1
6	00-918362-00004	Piping - Final Rinse (R-L, 6 In. Higher Than Standard) (FT900D).....	1
7	00-918362-00001	Piping - Final Rinse (R-L, Standard Height) (FT900SD).....	1
8	00-918362-00002	Piping - Final Rinse (R-L, 6 In. Higher Than Standard) (FT900SD).....	1
9	00-918026-00001	Piping - Final Rinse (L-R, Standard Height) (FT900 & FT900S).....	1
10	00-918026-00002	Piping - Final Rinse (L-R, 6 In. Higher Than Standard) (FT900 & FT900S).....	1
11	00-918363-00003	Piping - Final Rinse (L-R, Standard Height) (FT900D).....	1
12	00-918363-00004	Piping - Final Rinse (L-R, 6 In. Higher Than Standard) (FT900D).....	1
13	00-918363-00001	Piping - Final Rinse (L-R, Standard Height) (FT900D & FT900SD).....	1
14	00-918363-00002	Piping - Final Rinse (L-R, 6 In. Higher Than Standard) (FT900D & FT900SD).....	1
15	00-292909-00002	Vacuum Breaker 1/2 In. (Brass).....	1
16	00-292910	Service Kit - Vacuum Breaker.....	1
17	00-918460	Gauge - Water Pressure.....	1
18	00-893100-00001	Solenoid Valve (1/2) (120 V.) (Incls. Items 19 & 20).....	1
19	00-892132	Coil - Solenoid Valve (120 V.).....	1
20	00-893101	Service Kit - 1/2 Solenoid Valve.....	1
21	FP-040-45	Pipe 1/2 x 1-1/2 Lg. TBE.....	1
22	FP-015-16	Elbow - Pipe 1/2 x 90 Deg. (Brass).....	1
23	00-476286-00002	Support - Fill Piping.....	1
24	00-893444-00002	Hose - Water (Braided) (84 In.) (SST) (R-L & L-R Standard Height) (L-R, 6 In. HTS)	1
25	00-893444-00003	Hose - Water (Braided) (96 In.) (SST) (R-L, 6 In. Higher Than Standard).....	1
26	00-476615	Connector - Din (Old Controls).....	1
27	00-476745-00064	Cable Assy. - Final Rinse Valve (Old Controls).....	1
28	00-918568-021-5	Cable Assy. (New Controls).....	1
29	00-918029	Piping - Solenoid Valve to Vacuum Breaker.....	1
30	00-328994	Probe Assy. - Rinse.....	1
31	00-292909	Vacuum Breaker 1/2 In. (Chrome) (Chrome).....	1



**THIS CONFIGURATION USED
ON S/N 27-1190-307 AND AFTER**

**(L-R SHOWN)
(FT900, FT900S, FT900D, & FT900SD)**

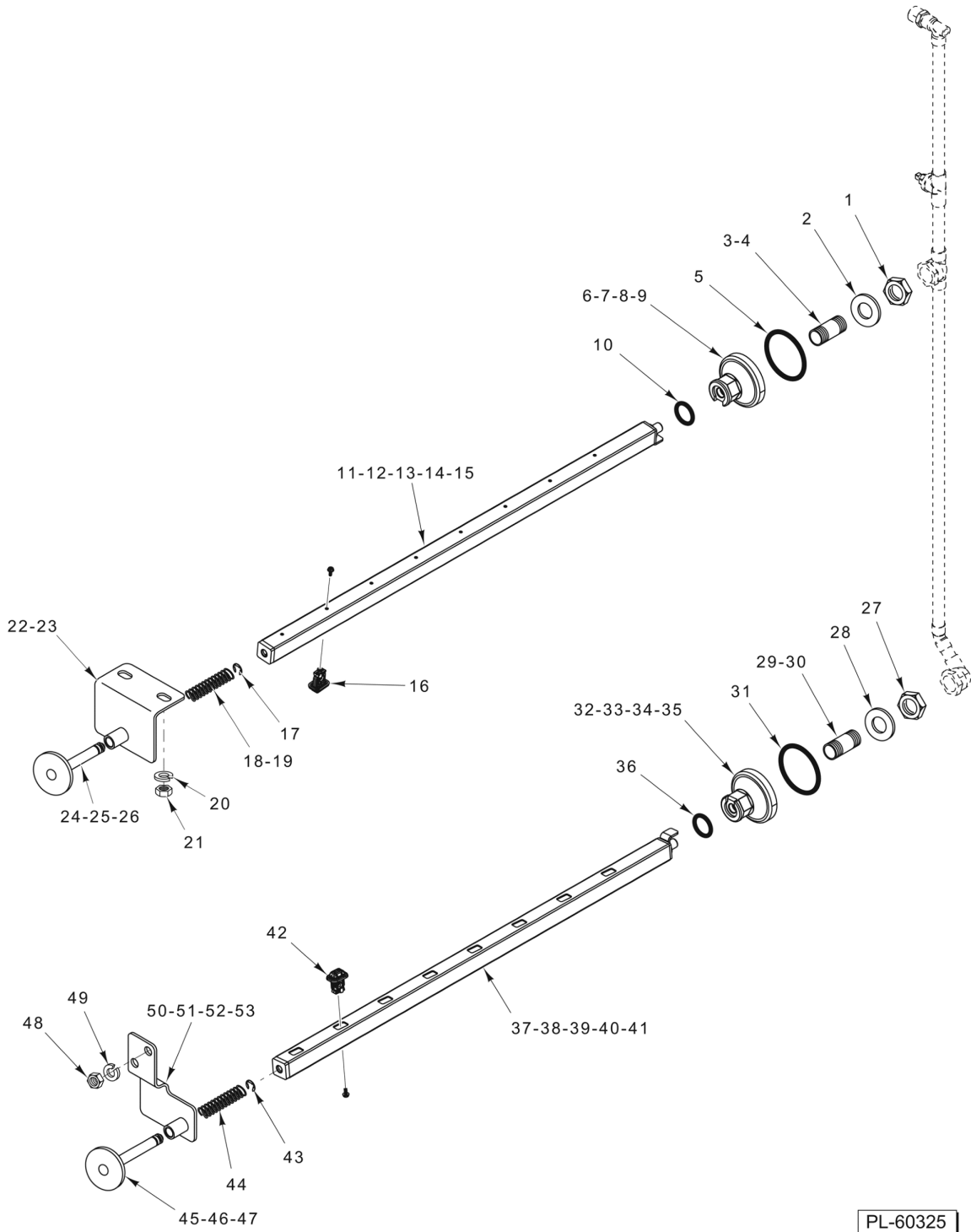
PL-60324

**FINAL RINSE PIPING
(OPTI-RINSE)
(CURRENT CONSTRUCTION)**

**FINAL RINSE PIPING
(OPTI-RINSE)
(CURRENT CONSTRUCTION)**

ILLUS.	PART NO.	NAME OF PART	AMT.
PL-60324			
1	FP-043-94	Pipe 3/4 x 2 TBE (1-1/4 RTOE) (Brass).....	1
2	00-941374-00001	Piping - Final Rinse (R-L, Standard Height) (FT900 & FT900S).....	1
3	00-941374-00002	Piping - Final Rinse (R-L, 6 In. HTS) (FT900 & FT900S).....	1
4	00-941378-00003	Piping - Final Rinse (R-L, Standard Height) (FT900D & FT950).....	1
5	00-941378-00004	Piping - Final Rinse (R-L, 6 In. HTS) (FT900D & FT950).....	1
6	00-941378-00001	Piping - Final Rinse (R-L, Standard Height) (FT900SD).....	1
7	00-941378-00002	Piping - Final Rinse (R-L, 6 In. HTS) (FT900SD).....	1
8	00-941378-00005	Piping - Final Rinse (R-L, Standard Height) (Energy Star) (FT900S).....	1
9	00-941378-00006	Piping - Final Rinse (R-L, 6 In. HTS) (Energy Star) (FT900S).....	1
10	00-941375-00001	Piping - Final Rinse (L-R, Standard Height) (FT900 & FT900S).....	1
11	00-941375-00002	Piping - Final Rinse (L-R, 6 In. HTS) (FT900 & FT900S).....	1
12	00-941379-00003	Piping - Final Rinse (L-R, Standard Height) (FT900D & FT950).....	1
13	00-941379-00004	Piping - Final Rinse (L-R, 6 In. HTS) (FT900D & FT950).....	1
14	00-941379-00001	Piping - Final Rinse (L-R, Standard Height) (FT900SD).....	1
15	00-941379-00002	Piping - Final Rinse (L-R, 6 In. HTS) (FT900SD).....	1
16	00-941379-00005	Piping - Final Rinse (L-R, Standard Height) (Energy Star) (FT900S).....	1
17	00-941379-00006	Piping - Final Rinse (L-R, 6 In. HTS) (Energy Star) (FT900S).....	1
18	FP-043-94	Pipe 3/4 x 2 TBE (1-1/4 RTOE) (Brass).....	1
19	00-918029	Piping - Solenoid Valve to Vacuum Breaker.....	1
20	00-292909-00002	Vacuum Breaker 1/2 In. (Brass).....	1
21	00-292910	Service Kit - Vacuum Breaker.....	1
22	00-918460	Gauge - Water Pressure.....	1
23	00-893100-00001	Solenoid Valve (1/2) (120 V.) (Incls. Items 24 & 25).....	1
24	00-892132	Coil - Solenoid Valve (120 V.).....	1
25	00-893101	Service Kit - 1/2 Solenoid Valve.....	1
26	FP-040-43	Pipe 1/2 x 1-1/4 TBE (Brass).....	1
*27	00-270258	Strainer - Line (1/2) (Brass) (Kitz) (Incls. Items 28, 29, & 30) (Alternate to Item 38)	1
28	00-270259	Plug - Branch.....	1
29	00-270260	Screen - Strainer (1/2 In.).....	1
30	00-270261	Gasket.....	1
31	FP-015-17	Elbow - Pipe 1/2 x 90 Deg. (Brass).....	1
32	00-476286-00002	Support - Fill Piping.....	1
33	00-893444-00002	Hose - Water (Braided) (84 In.) (SST).....	1
34	00-893444-00003	Hose - Water (Braided) (96 In.) (SST).....	1
35	FP-040-69	Pipe 1/2 x 3-1/2 TBE (Brass).....	1
36	FP-015-16	Elbow - Pipe 1/2 x 90 Deg. (Brass).....	1
37	00-292909	Vacuum Breaker 1/2 In. (Chrome) (Chrome).....	1
*38	00-892921	Strainer - Line (1/2) (Brass) (Conbraco) (Incls. Items 39, 40, & 41) (Alternate to Item 27).....	1
39	00-892922-00001	Cap.....	1
40	00-892922-00002	Gasket.....	1
41	00-892922-00003	Screen.....	1

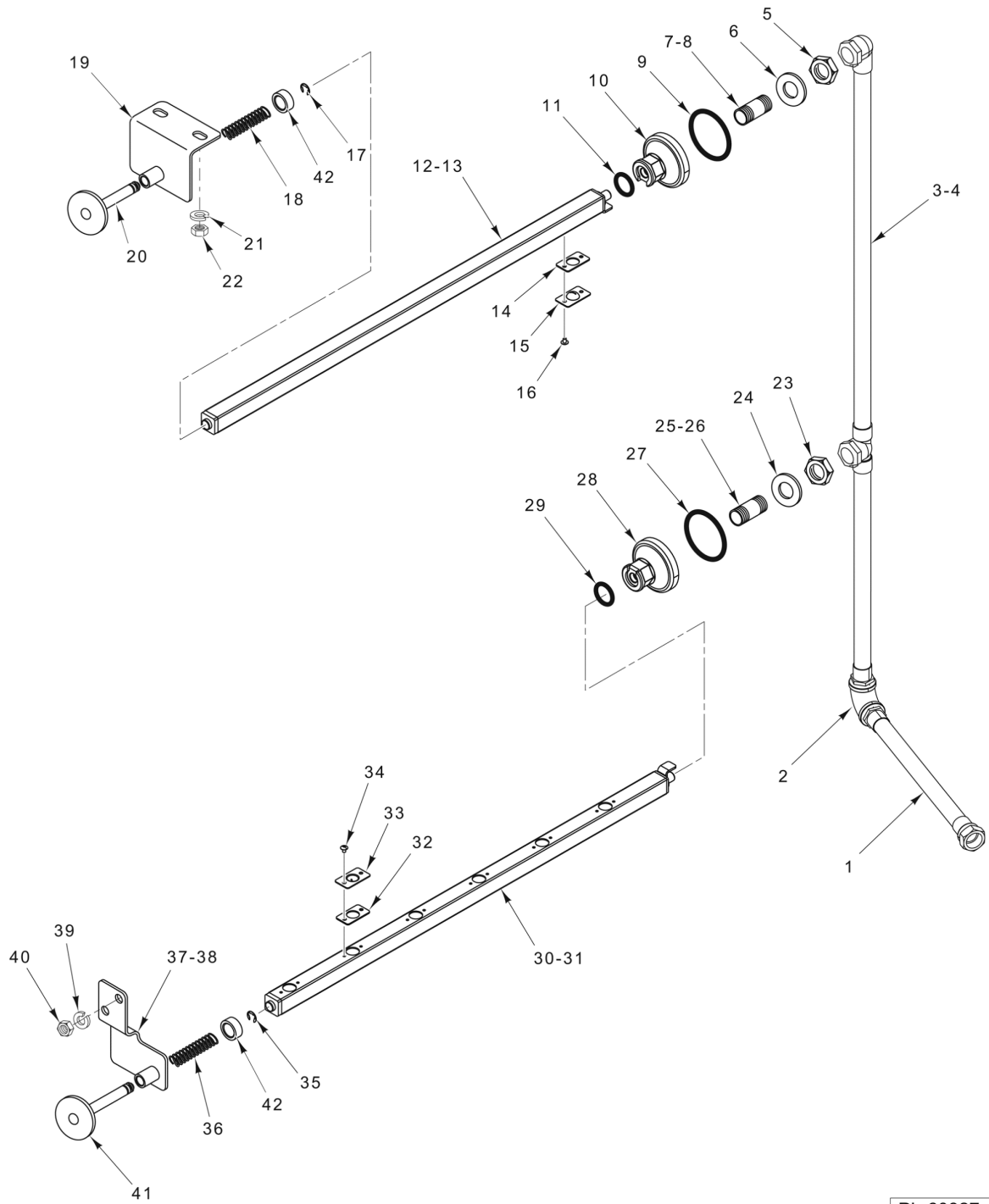
* Kitz line strainer is approx. 0.43 inches longer than Conbraco.



**FINAL RINSE ARMS
(OPTI-RINSE)
(CURRENT CONSTRUCTION)**

**FINAL RINSE ARMS
(OPTI-RINSE)
(CURRENT CONSTRUCTION)**

ILLUS.	PART NO.	NAME OF PART	AMT.
1	FP-030-17	Lock Nut 3/4 NPSL Pipe (Brass).....	1
2	WS-013-45	Washer.....	1
3	FP-043-94	Pipe 3/4 x 2 TBE (1-1/4 RTOE) (Brass).....	1
4	00-546292	Sealer.....	AR
5	00-067500-00133	O-Ring.....	1
6	00-476274-00010	Hub - Final Rinse (Upper) (FT950 Series).....	1
7	00-476274-00002	Hub - Final Rinse (Upper) (FT900D Series).....	1
8	00-476274-00009	Hub - Final Rinse (Upper) (FT900 & FT900S Series).....	1
9	00-476274-00004	Hub - Final Rinse (Upper) (FT900SD Series).....	1
10	00-067500-00130	O-Ring.....	1
11	00-918043-00001	Arm - Final Rinse (14 Nozzle) (Upper) (R-L) (FT900).....	1
12	00-918043-00002	Arm - Final Rinse (14 Nozzle) (Upper) (L-R) (FT900).....	1
13	00-918042	Arm - Final Rinse (8 Nozzle) (Upper) (FT900S, FT900D, & FT900SD).....	1
14	00-948120	Arm - Final Rinse (9 Nozzle) (Upper) (Energy Star) (FT900 & FT900S).....	1
15	00-948272	Arm - Final Rinse (7 Nozzle) (Upper) (Energy Star) (FT950).....	1
16	00-893535	Nozzle Assy. (Incls. Screw).....	AR
17	RR-009-10	Retaining Ring 3/8 In. (SST).....	1
18	00-918071	Spring - T-Handle (FT900).....	1
19	00-476252	Spring - T-Handle (FT900S, FT900D, & FT900SD).....	1
20	WL-006-23	Lockwasher 5/16 Helical (SST).....	2
21	NS-015-11	Nut 5/16-18 Hex (SST).....	2
22	00-748810	Bracket - Handle (Upper) (FT900 & FT900S).....	1
23	00-919655	Bracket - Handle (Upper) (FT900D & FT900SD).....	1
24	00-918070	Handle - Rinse (FT900).....	1
25	00-748808	Handle - Rinse (FT900S).....	1
26	00-918370	Handle - Rinse (FT900D & FT900SD).....	1
27	FP-030-17	Lock Nut 3/4 NPSL Pipe (Brass).....	1
28	WS-013-45	Washer.....	1
29	FP-043-94	Pipe 3/4 x 2 TBE (1-1/4 RTOE) (Brass).....	1
30	00-546292	Sealer.....	AR
31	00-067500-00133	O-Ring.....	1
32	00-476274-00009	Hub - Final Rinse (Lower) (FT900D, FT900 Energy Star, & FT950 STD) (FT900S, FT900D, FT900 Energy Star, & FT950 6 In. HTS).....	1
33	00-476274-00010	Hub - Final Rinse (Lower) (FT900, FT900S, & FT900S Energy Star STD) (FT900 & FT900S Energy Star 6 In. HTS).....	1
34	00-476274-00002	Hub - Final Rinse (Lower) (FT900SD 6 In. HTS).....	1
35	00-476274-00004	Hub - Final Rinse (Lower) (FT900SD STD).....	1
36	00-067500-00130	O-Ring.....	1
37	00-918042	Arm - Final Rinse (8 Nozzle) (Lower) (FT900, FT900S, FT900D, & FT900SD).....	1
38	00-948123-00001	Arm - Final Rinse (12 Nozzle) (Lower) (R-L) (Energy Star) (FT900 & FT900S).....	1
39	00-948123-00002	Arm - Final Rinse (12 Nozzle) (Lower) (L-R) (Energy Star) (FT900 & FT900S).....	1
40	00-948268-00001	Arm - Final Rinse (12 Nozzle) (Lower) (R-L) (Energy Star) (FT950).....	1
41	00-948268-00002	Arm - Final Rinse (12 Nozzle) (Lower) (L-R) (Energy Star) (FT950).....	1
42	00-893535	Nozzle Assy. (Incls. Screw).....	AR
43	RR-009-10	Retaining Ring 3/8 In. (SST).....	1
44	00-476252	Spring - T-Handle.....	1
45	00-918070	Handle - Rinse (FT900).....	1
46	00-748808	Handle - Rinse (FT900S).....	1
47	00-918370	Handle - Rinse (FT900D & FT900SD).....	1
48	NS-015-11	Nut 5/16-18 Hex (SST).....	2
49	WL-006-23	Lockwasher 5/16 Helical (SST).....	2
50	00-748809-00001	Bracket - Handle Lower (R-L) (FT900 & FT900S).....	1
51	00-748809-00002	Bracket - Handle Lower (L-R) (FT900 & FT900S).....	1
52	00-919654-00001	Bracket - Handle Lower (R-L) (FT900D & FT900SD).....	1
53	00-919654-00002	Bracket - Handle Lower (L-R) (FT900D & FT900SD).....	1

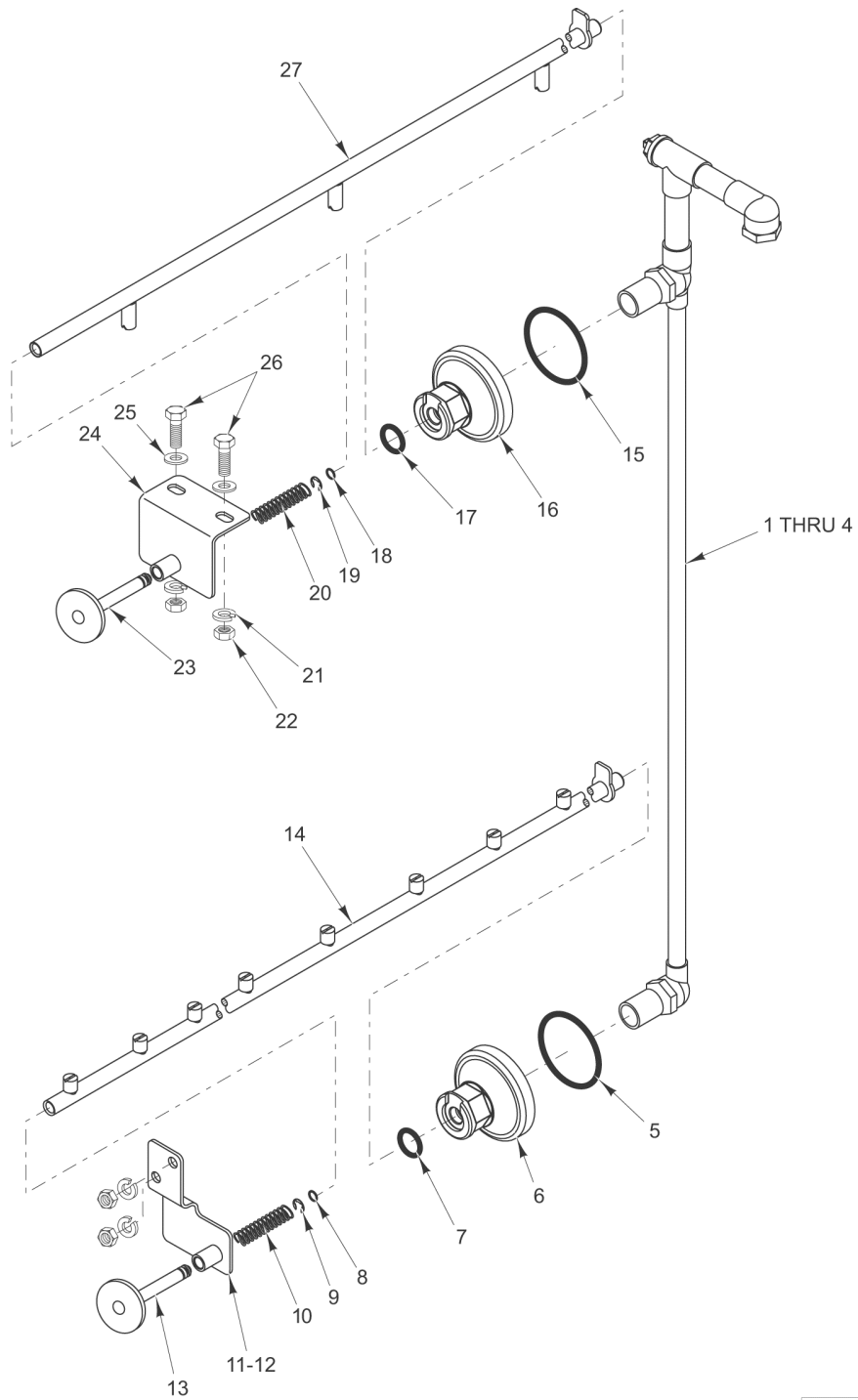


PL-60327

**FINAL RINSE PIPING
(DUAL RINSE)
(FT900D & FT900SD)**

**FINAL RINSE PIPING
(DUAL RINSE)
(FT900D & FT900SD)**

ILLUS.	PART NO.	NAME OF PART	AMT.
PL-60327			
1	00-918359	Piping Assy.....	1
2	FP-015-23	Elbow 3/4 x 90 Deg. (Brass).....	1
3	00-918358-00001	Piping Assy. - Dual Rinse (Standard Height).....	1
4	00-918358-00002	Piping Assy. - Dual Rinse (6 In. Higher Than Standard).....	1
5	FP-030-17	Lock Nut 3/4 NPSL Pipe (Brass).....	1
6	WS-013-45	Washer.....	1
7	FP-043-94	Pipe 3/4 x 2 TBE (1-1/4 RTOE) (Brass).....	1
8	00-546292	Sealer.....	AR
9	00-067500-00133	O-Ring.....	1
10	00-476274-00011	Hub - Final Rinse.....	1
11	00-067500-00130	O-Ring.....	1
12	00-918220	Final Rinse Arm Assy. (6 Nozzle) (Incls. Items 13 thru 16).....	1
13	00-918219	Arm - Final Rinse (6 Nozzle).....	1
14	00-918381	Gasket - Nozzle.....	6
15	00-918222	Nozzle - Dual Rinse.....	6
16	SC-066-13	Mach. Screw 8-32 x 1/4 Phil. Truss Hd. (SST).....	12
17	RR-006-23	Retaining Ring.....	1
18	00-476252	Spring - T-Handle.....	1
19	00-919655	Bracket - Handle (Upper).....	1
20	00-918345	Handle - Rinse.....	1
21	WL-006-23	Lockwasher 5/16 Helical (SST).....	2
22	NS-015-11	Nut 5/16-18 Hex (SST).....	2
23	FP-030-17	Lock Nut 3/4 NPSL Pipe (Brass).....	1
24	WS-013-45	Washer.....	1
25	FP-043-94	Pipe 3/4 x 2 TBE (1-1/4 RTOE) (Brass).....	1
26	00-546292	Sealer.....	AR
27	00-067500-00133	O-Ring.....	1
28	00-476274-00011	Hub - Final Rinse.....	1
29	00-067500-00130	O-Ring.....	1
30	00-918220	Final Rinse Arm Assy. (6 Nozzle) (Incls. Items 31 thru 34).....	1
31	00-918219	Arm - Final Rinse (6 Nozzle).....	1
32	00-918381	Gasket - Nozzle.....	6
33	00-918222	Nozzle - Dual Rinse.....	6
34	SC-066-13	Mach. Screw 8-32 x 1/4 Phil. Truss Hd. (SST).....	12
35	RR-006-23	Retaining Ring.....	1
36	00-476252	Spring - T-Handle.....	1
37	00-919654-00001	Bracket - Handle Lower (R-L) (FT900D & FT900SD).....	1
38	00-919654-00002	Bracket - Handle Lower (L-R) (FT900D & FT900SD).....	1
39	WL-006-23	Lockwasher 5/16 Helical (SST).....	2
40	NS-015-11	Nut 5/16-18 Hex (SST).....	2
41	00-918345	Handle - Rinse.....	1
42	00-918344	Bushing.....	2



AUXILIARY RINSE PIPING (FT900W)

AUXILIARY RINSE PIPING (FT900W)

ILLUS.	PART NO.	NAME OF PART	AMT.
PL-55220			
1	00-749106-00002	Piping - Auxiliary Rinse (L-R, Standard Height).....	1
2	00-749106-00001	Piping - Auxiliary Rinse (L-R, 6 In. Higher Than Standard).....	1
3	00-749107-00002	Piping - Auxiliary Rinse (R-L, Standard Height).....	1
4	00-749107-00001	Piping - Auxiliary Rinse (R-L, 6 In. Higher Than Standard).....	1
5	00-067500-00133	O-Ring.....	1
6	00-476274-00004	Hub - Final Rinse.....	1
7	00-067500-00130	O-Ring.....	1
8	00-067500-00098	O-Ring.....	1
9	RR-009-10	Retaining Ring 3/8 In. (SST).....	1
10	00-476252	Spring - T-Handle.....	1
11	00-748809-00001	Bracket - Handle Lower (R-L).....	1
12	00-748809-00002	Bracket - Handle Lower (L-R).....	1
13	00-748808	Handle - Rinse.....	1
14	00-475997-00002	Arm - Lower Final Rinse (FT900W).....	1
15	00-067500-00133	O-Ring.....	1
16	00-476274-00007	Hub - Upper Pumped Rinse.....	1
17	00-067500-00130	O-Ring.....	1
18	00-067500-00098	O-Ring.....	1
19	RR-009-10	Retaining Ring 3/8 In. (SST).....	1
20	00-476252	Spring - T-Handle.....	1
21	WL-006-23	Lockwasher 5/16 Helical (SST).....	2
22	NS-015-11	Nut 5/16-18 Hex (SST).....	2
23	00-748808	Handle - Rinse.....	1
24	00-748810	Bracket - Handle (Upper).....	1
25	WS-017-08	Washer (0.328 x 0.625 x 0.062) (SST).....	2
26	SC-041-11	Cap Screw 5/16-18 x 3/4 Hex Hd. (SST).....	2
27	00-475999-00002	Arm - Upper Final Rinse (FT900W).....	1

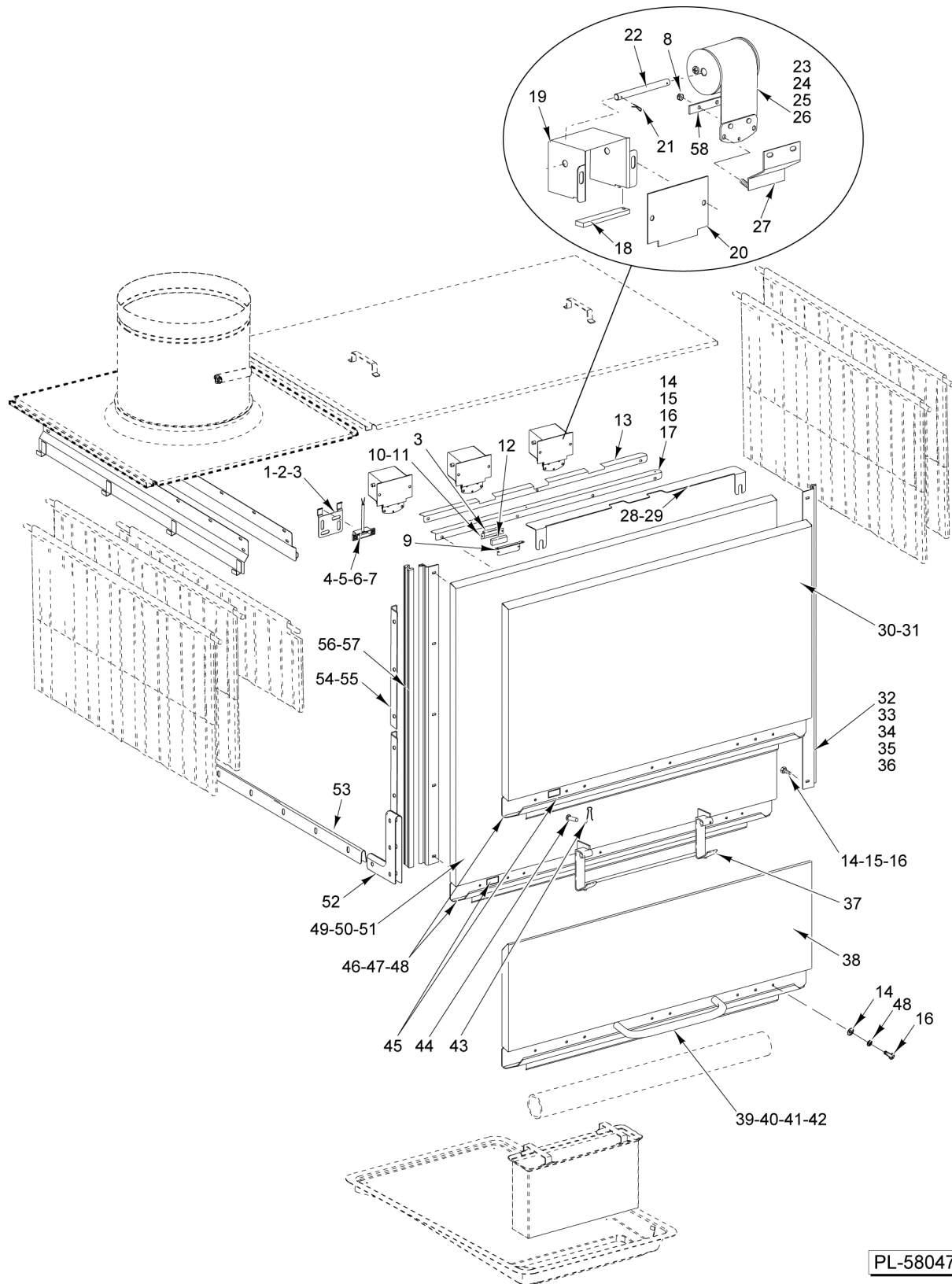


PL-53097

**FINAL RINSE ACTUATOR
(PREVIOUS CONSTRUCTION)**

**FINAL RINSE ACTUATOR
(PREVIOUS CONSTRUCTION)**

ILLUS. PL-53097	PART NO.	NAME OF PART	AMT.
1	00-476479-00002	Bracket - Catch (L-R Front) (R-L Rear).....	1
2	WS-017-08	Washer (0.328 x 0.625 x 0.062) (SST).....	4
3	SC-041-11	Cap Screw 5/16-18 x 3/4 Hex Hd. (SST).....	4
4	00-476484	Retainer - Rinse Actuator.....	2
5	WL-006-17	Lockwasher 1/4 Helical (SST).....	4
6	NS-015-01	Nut 1/4-20 Hex (SST).....	4
7	00-476478	Support - Actuator Rinse.....	1
8	00-476491	Support - Actuator "J".....	1
9	SC-041-11	Cap Screw 5/16-18 x 3/4 Hex Hd. (SST).....	2
10	WS-017-08	Washer (0.328 x 0.625 x 0.062) (SST).....	2
11	NS-015-01	Nut 1/4-20 Hex (SST).....	4
12	WL-006-17	Lockwasher 1/4 Helical (SST).....	4
13	SC-041-05	Cap Screw 1/4-20 x 5/8 Hex Hd. (SST).....	4
14	WS-017-06	Washer (SST).....	4
15	00-476479-00001	Bracket - Catch (R-L Front) (L-R Rear).....	1
16	WL-006-23	Lockwasher 5/16 Helical (SST).....	2
17	NS-015-11	Nut 5/16-18 Hex (SST).....	2
18	00-476490	Bar - Rinse Actuator (1/2 Dia. Rod Tapped 1/4-20).....	1
19	00-476482	Rod - Support (Rinse Actuator) (3/8 Dia. Rod).....	1
20	00-186226-00003	Rod - Tie (3/4 Dia. Rod x 32-1/4 In.).....	1
21	WL-006-28	Lockwasher 3/8 Helical.....	2
22	SC-041-29	Cap Screw 3/8-16 x 7/8 Hex Hd. (SST).....	2
23	00-066233	Retainer - Clip Support.....	6
24	SC-041-05	Cap Screw 1/4-20 x 5/8 Hex Hd. (SST).....	2
25	WL-006-17	Lockwasher 1/4 Helical (SST).....	2
26	WS-006-44	Washer (SST).....	10
27	00-476481-00001	Spacer - Tube Rinse (1-1/2 In.).....	4
28	00-476610	Pivot - Rinse Tube Assy.....	8
29	00-476481-00002	Spacer - Tube Rinse (1-7/8 Lg.).....	4
30	00-476481-00003	Spacer - Tube Rinse (3 In.).....	1
31	00-476480	Link - Rinse Actuator.....	2
32	00-290160	Magnet (Note Orientation).....	1
33	00-290159	Retainer - Magnet.....	1
34	SC-021-08	Mach. Screw 6-32 x 3/8 Slotted Rd. Hd. (SST).....	2
35	WS-028-20	Washer (SST).....	2
36	WL-006-40	Lockwasher #6 Light.....	2
37	NS-011-07	Nut 6-32 Hex (SST).....	2
38	00-473109-005-5	Switch Assy.....	1
39	00-748124	Bracket - Adjustment Magnet.....	1
40	00-749269-00002	Tube - Actuator (Rinse 18 In.).....	8
41	00-749269-00003	Tube - Actuator (Rinse 17 In.) (Conveyor with Crossrods).....	8
42	00-749269-00001	Tube - Actuator (Rinse 24 In.) (6 In. HTS).....	8
43	00-749269-00004	Tube - Actuator (Rinse 23 In.) (6 In. HTS) (Conveyor with Crossrods).....	8
44	PC-005-09	Cotter Pin 3/32.....	8
45	WL-006-23	Lockwasher 5/16 Helical (SST).....	8
46	WS-017-08	Washer (0.328 x 0.625 x 0.062) (SST).....	8
47	NS-015-11	Nut 5/16-18 Hex (SST).....	8

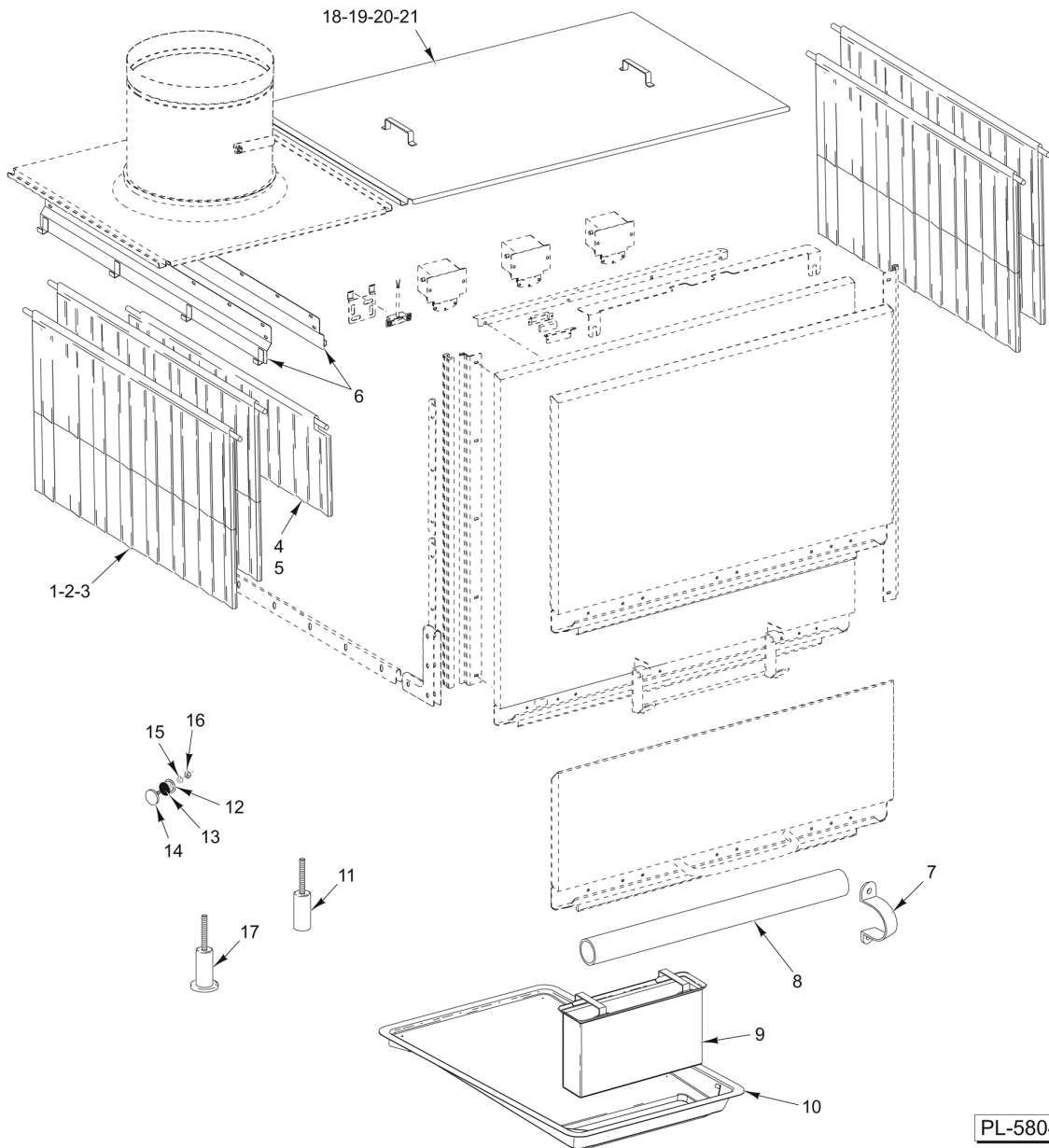


PL-58047

**SLIDING DOORS
(WASH/RINSE SECTION)**

**SLIDING DOORS
(WASH/RINSE SECTION)**

ILLUS.	PART NO.	NAME OF PART	AMT.
PL-58047			
1	00-748124	Bracket - Adjustment Magnet (Previous Construction).....	1
2	00-918566	Bracket - Interlock Switch (New Controls).....	1
3	NS-031-50	Stop Nut 6-32 Hex (SST).....	AR
4	00-473109-005-5	Switch Assy.....	1
5	00-473109-005-5	Switch Assy. (Old Controls).....	1
6	00-473109-005-4	Switch - Interlock (New Controls).....	1
7	FE-016-02	Bushing - Snap.....	AR
8	NS-031-16	Stop Nut 10-24 Hex Elastic (SST).....	8
9	00-476872	Bracket - Magnet.....	1
10	00-290159	Retainer - Magnet.....	1
11	SC-127-26	Mach. Screw 6-32 x 3/8 Phil. Rd. Hd. (SST).....	4
12	00-290160	Magnet.....	1
13	00-749465-00001	Plate - Door Seal.....	1
14	WL-006-17	Lockwasher 1/4 Helical (SST).....	AR
15	WS-017-06	Washer (SST).....	AR
16	SC-041-05	Cap Screw 1/4-20 x 5/8 Hex Hd. (SST).....	AR
17	00-476208-00001	Seal - Door (48 In.).....	1
18	00-476269	Plate - Spring Guide.....	4
19	00-749503	Bracket - Spring Spool.....	4
20	00-476270	Plate - Spring Protector.....	4
21	00-066233	Retainer - Clip Support.....	AR
22	00-475784	Pin - Axle (Spring Spool).....	4
23	00-476265-00002	Spring Assy. - Door (Note Dash Number on End Plate).....	2
24	00-476265-00004	Spring Assy. - Door (Note Dash Number on End Plate).....	2
25	00-476265-00003	Spring Assy. - Door (Note Dash Number on End Plate).....	2
26	00-476265-00001	Spring Assy. - Door (Note Dash Number on End Plate).....	3
27	00-476267	Bracket - Door Spring Mounting.....	4
28	00-748155	Bracket - Wire Retaining (Previous Construction).....	AR
29	00-749503	Bracket - Spring Spool.....	1
30	00-893505-00004	Split Door Assy. (Upper) (48 In.) (Standard Height).....	1
31	00-893505-00001	NLA - Obsolete--Split Door Assy. (Upper) (48 In.) (6 In. Higher Than Standard).....	1
32	00-476197-00003	Guide - Door Extrusion (Full Door) (Standard Height).....	2
33	00-476197-00004	Guide - Door Extrusion (Full Door) (6 In. Higher Than Standard).....	2
34	00-476904-00004	Guide - Door (Split Upper Door) (Standard Height).....	2
35	00-476904-00005	Guide - Door (Split Upper Door) (6 In. Higher Than Standard).....	2
36	00-476904-00006	Guide - Door (Split Lower Door).....	2
37	00-476978-00001	Catch (48 In. Split Door, Lower).....	1
38	00-893506-00001	Split Door Assy. (Lower) (48 In.).....	1
39	00-748221	Handle (Split Door, Lower).....	1
40	SC-041-12	Cap Screw 5/16-18 x 7/8 Hex Hd. (SST).....	2
41	WS-017-01	Washer 0.328 x 0.875 x 0.062 (SST).....	2
42	WL-006-23	Lockwasher 5/16 Helical (SST).....	2
43	PC-005-02	Cotter Pin 1/16 x 1/2 (SST).....	2
44	00-012114	Pin.....	2
45	00-109920	Label - Short Curtain.....	1
46	00-476206-00001	Handle - Door (48 In.).....	1
47	NS-031-21	Stop Nut 1/4-20 Hex (SST).....	10
48	WL-006-17	Lockwasher 1/4 Helical (SST).....	10
49	00-893504-00004	Door Assy. (48 In.) (Standard Height).....	1
50	00-893504-00001	Door Assy. (48 In.) (6 In. Higher Than Standard).....	1
51	00-893503-00001	Plate - Door Spacer (48 In.).....	1
52	00-476768	Cap - Saddle Chamber.....	2
53	00-476769	Saddle - Chamber.....	1
54	00-476422-00002	Retainer - Guide (16 In.) (Standard Height).....	2
55	00-476422-00001	Retainer - Guide (22 In.) (6 In. Higher Than Standard).....	2
56	00-476421-00002	Guide - Door (Standard Height).....	2
57	00-476421-00001	Guide - Door (6 In. Higher Than Standard).....	2
58	00-476266	Plate - Back (Spring).....	4

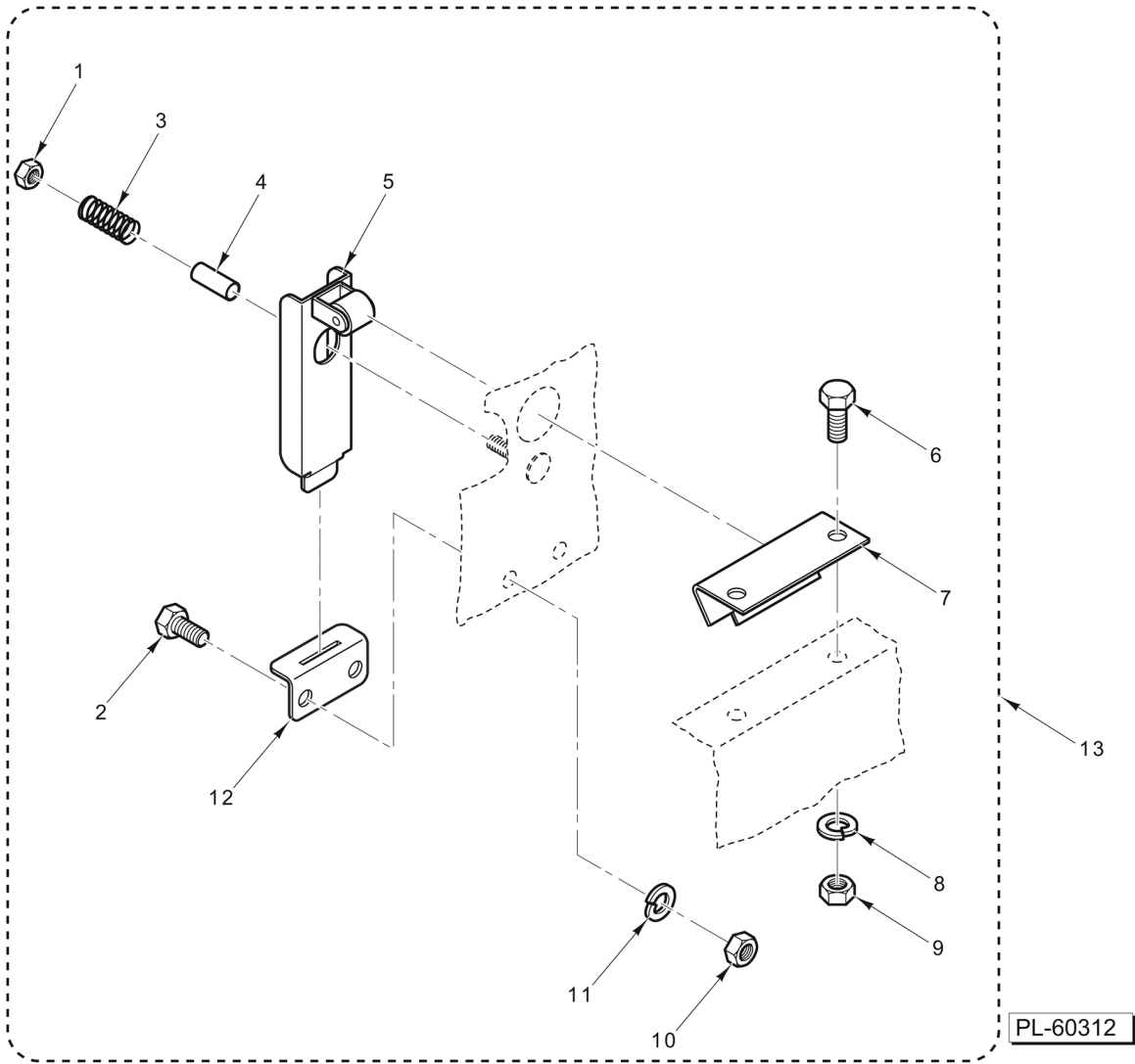


PL-58048

**CURTAINS, STRAINERS, AND BAFFLES
(WASH/RINSE SECTION)**

**CURTAINS, STRAINERS, AND BAFFLES
(WASH/RINSE SECTION)**

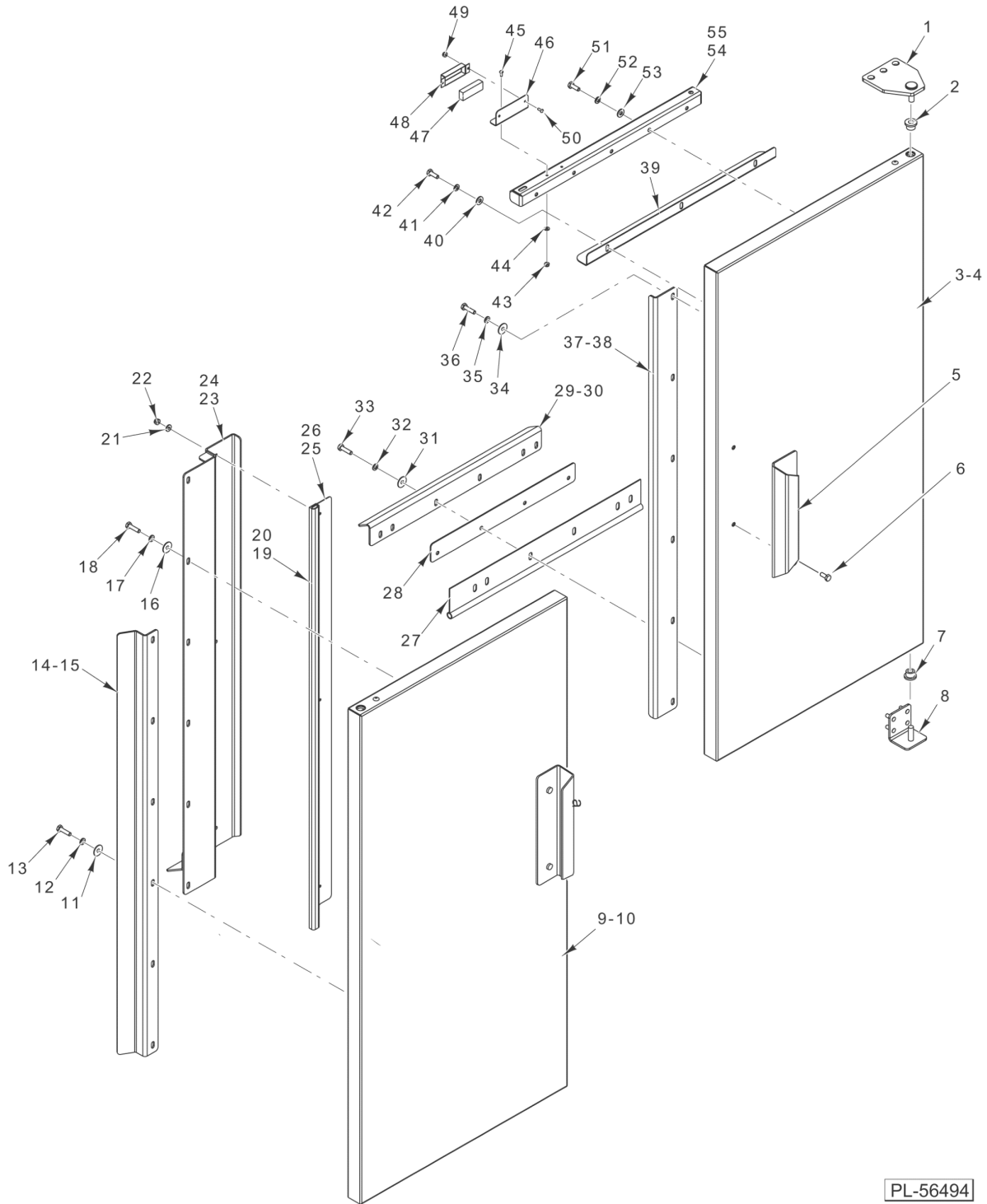
ILLUS.	PART NO.	NAME OF PART	AMT.
1	00-892567-00001	Curtain - Splash (Standard Height).....	4
2	00-892567-00002	Curtain - Splash (6 In. Higher Than Standard).....	4
3	00-120267-00004	Rod - Curtain (35-1/4 In.).....	4
4	00-120160-00001	Curtain - Splash (11-1/4 x 31-1/2) (Short Curtain).....	2
5	00-120267-00003	Rod - Curtain.....	2
6	00-476401	Baffle Assy. (With Curtain Hooks).....	4
7	00-748192	Clamp 1-1/2 (Previous Construction).....	2
8	00-748193-00001	Conduit 1-1/2 x 20 In. (PVC) (Previous Construction).....	1
9	00-475846	Basket Assy. - Strainer.....	2
10	00-475973	Strainer - Weldment.....	2
11	00-475874	Foot.....	AR
12	00-119254	Retainer - Cap & Stud.....	1
13	00-067500-00031	O-Ring.....	1
14	00-119244	Cap & Stud Assy.....	1
15	WL-006-17	Lockwasher 1/4 Helical (SST).....	1
16	NS-015-01	Nut 1/4-20 Hex (SST).....	1
17	00-329688	Foot - Flanged.....	AR
18	00-476164-00002	Lid Assy. (Chamber 25 In.).....	AR
19	00-476164-00001	Lid - Assy. Chamber (36 In.) (Without Blower Dryer).....	AR
20	00-476165-00002	Lid Assy. - Chamber (25 In.).....	AR
21	00-476165-00001	Lid Assy. - Chamber (48 In.).....	AR



FULL DOOR LATCH

FULL DOOR LATCH

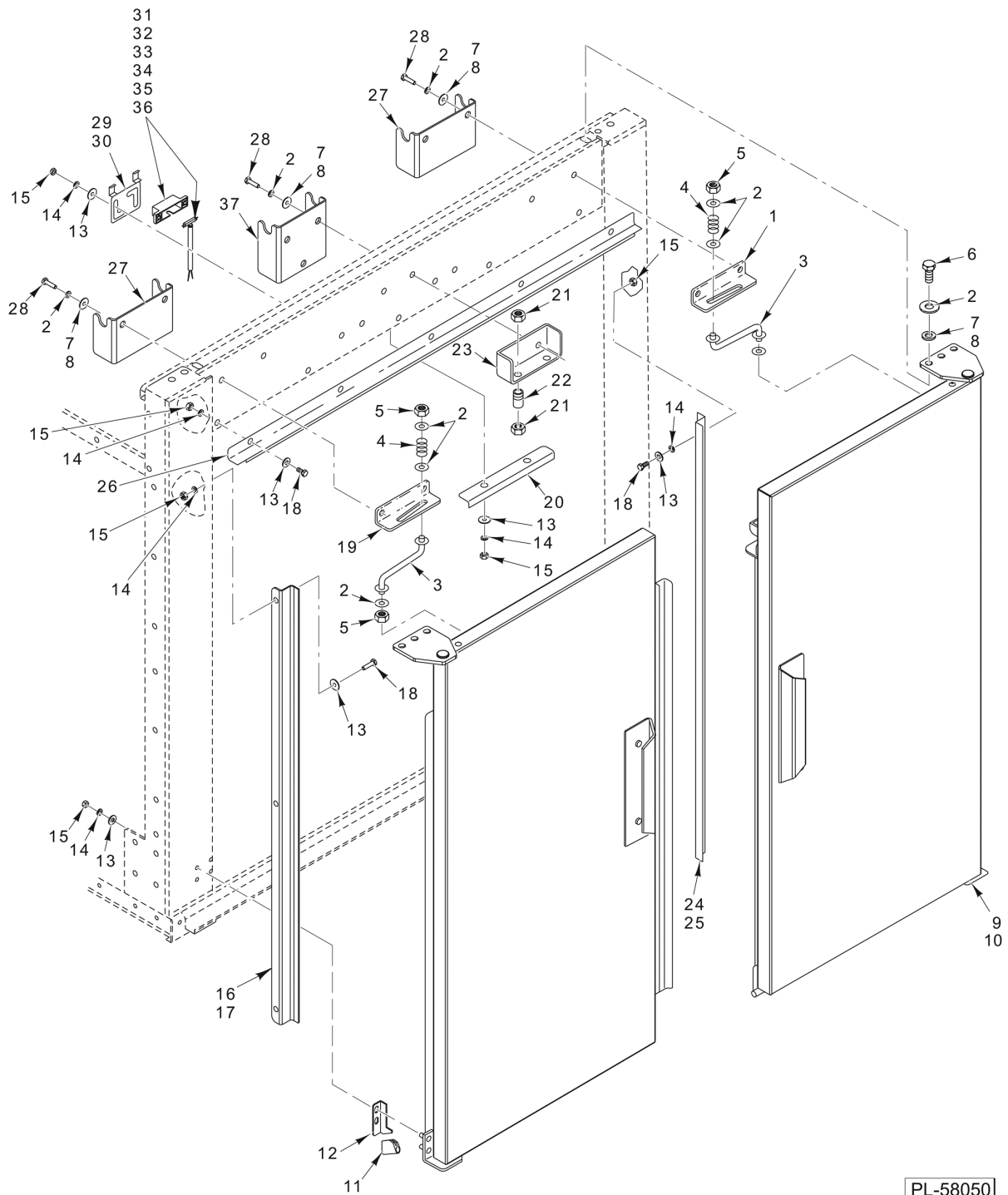
ILLUS.	PART NO.	NAME OF PART	AMT.
PL-60312			
1	NS-036-19	Stop Nut 5/16-18 Hex (SST).....	1
2	SC-041-50	Cap Screw 1/4-20 x 1/2 Hex Hd. (SST).....	2
3	00-918035	Spring.....	1
4	00-918030	Tube - Spring Pretension.....	1
5	00-918019	Latch Assy.....	1
6	SC-041-50	Cap Screw 1/4-20 x 1/2 Hex Hd. (SST).....	2
7	00-918031	Plate - Latch.....	1
8	WL-006-17	Lockwasher 1/4 Helical (SST).....	2
9	NS-015-01	Nut 1/4-20 Hex (SST).....	2
10	NS-015-01	Nut 1/4-20 Hex (SST).....	2
11	WL-006-17	Lockwasher 1/4 Helical (SST).....	2
12	00-918024	Plate - Hinge.....	1
13	00-918048	Kit - Service Latch (Incls. Items 1 thru 12).....	1



**HINGED DOORS
(WASH/RINSE SECTION)**

**HINGED DOORS
(WASH/RINSE SECTION)**

ILLUS.	PART NO.	NAME OF PART	AMT.
PL-56494			
1	00-892184	Plate - Top Hinge Weldment.....	2
2	00-892210	Bearing - Door Hinge.....	2
3	00-892182	Door Assy. (RH) (STD) (Incls. Items 2,5,6,7,27,28,30 thru 37,39 thru 53,& 55).....	1
4	00-892359	Door Assy. (RH) (6 In.HTS) (Incls. Items 2,5,6,7,27,28,30 thru 36,38 thru 53,& 55)	1
5	00-892214	Handle - Door.....	2
6	SC-041-05	Cap Screw 1/4-20 x 5/8 Hex Hd. (SST).....	4
7	00-892210	Bearing - Door Hinge.....	2
8	00-892185	Bracket - Bottom Hinge Weldment.....	2
9	00-892183	Door Assy. (LH) (STD) (Incls. Items 2,5,6,7,11 thru 14,16 thru 19,21,22,23,25,27,28,29,31,32,33,37, & 39 thru 54).....	1
10	00-892360	Door Assy. (LH) (6 In. HTS) (Incls. Items 2,5,6,7,11,12,13,15 thru 18,20,21,22,24,26,27,28,30 thru 33, & 38 thru 54).....	1
11	WS-003-47	Washer (SST).....	AR
12	WL-006-17	Lockwasher 1/4 Helical (SST).....	AR
13	SC-041-01	Cap Screw 1/4-20 x 3/4 Hex Hd. (SST).....	AR
14	00-892196-00001	Deflector - Door Side (Standard Height).....	2
15	00-892196-00002	Deflector - Door Side (6 In. Higher Than Standard).....	2
16	WS-003-47	Washer (SST).....	AR
17	WL-006-17	Lockwasher 1/4 Helical (SST).....	AR
18	SC-041-01	Cap Screw 1/4-20 x 3/4 Hex Hd. (SST).....	AR
19	00-892215-00001	Gasket - Door Vertical (Standard Height).....	1
20	00-892215-00002	Gasket - Door Vertical (6 In. Higher Than Standard).....	1
21	WS-019-20	Washer 0.219 x 0.375 x 0.031 (SST).....	3
22	NS-031-15	Stop Nut 10-24 Hex (SST).....	3
23	00-892588-00001	Overlap - Door Weldment (Standard Height).....	1
24	00-892588-00002	Overlap - Door Weldment (6 In. Higher Than Standard).....	1
25	00-892585-00001	Retainer - Door Seal (Standard Height).....	1
26	00-892585-00002	Retainer - Door Seal (6 In. Higher Than Standard).....	1
27	00-892211-00001	Gasket - Lower Door.....	2
28	00-892213-00001	Plate - Lower Seal Spacer.....	2
29	00-892199-00001	Seal - Lower Door (LH).....	1
30	00-892200-00001	Seal - Lower Door (RH).....	1
31	WS-003-47	Washer (SST).....	12
32	WL-006-17	Lockwasher 1/4 Helical (SST).....	12
33	SC-041-02	Cap Screw 1/4-20 x 1 Hex Hd. (SST).....	12
34	WS-003-47	Washer (SST).....	AR
35	WL-006-17	Lockwasher 1/4 Helical (SST).....	AR
36	SC-041-01	Cap Screw 1/4-20 x 3/4 Hex Hd. (SST).....	AR
37	00-892198-00001	Seal - Door Overlap (Standard Height).....	1
38	00-892198-00002	Seal - Door Overlap (6 In. Higher Than Standard).....	1
39	00-892189-00001	Bracket - Upper Door Seal.....	2
40	WS-017-06	Washer (SST).....	6
41	WL-006-17	Lockwasher 1/4 Helical (SST).....	6
42	SC-041-01	Cap Screw 1/4-20 x 3/4 Hex Hd. (SST).....	6
43	NS-031-50	Stop Nut 6-32 Hex (SST).....	4
44	WS-023-01	Washer (SST).....	4
45	SC-021-08	Mach. Screw 6-32 x 3/8 Slotted Rd. Hd. (SST).....	4
46	00-892187	Bracket - Door Magnet.....	2
47	00-290160	Magnet.....	2
48	00-290159	Retainer - Magnet.....	2
49	NS-031-50	Stop Nut 6-32 Hex (SST).....	4
50	SC-021-08	Mach. Screw 6-32 x 3/8 Slotted Rd. Hd. (SST).....	4
51	SC-041-01	Cap Screw 1/4-20 x 3/4 Hex Hd. (SST).....	10
52	WL-006-17	Lockwasher 1/4 Helical (SST).....	10
53	WS-017-06	Washer (SST).....	10
54	00-892194-00001	Bracket - Door Catch (LH).....	1
55	00-892194-00002	Bracket - Door Catch (RH).....	1



PL-58050

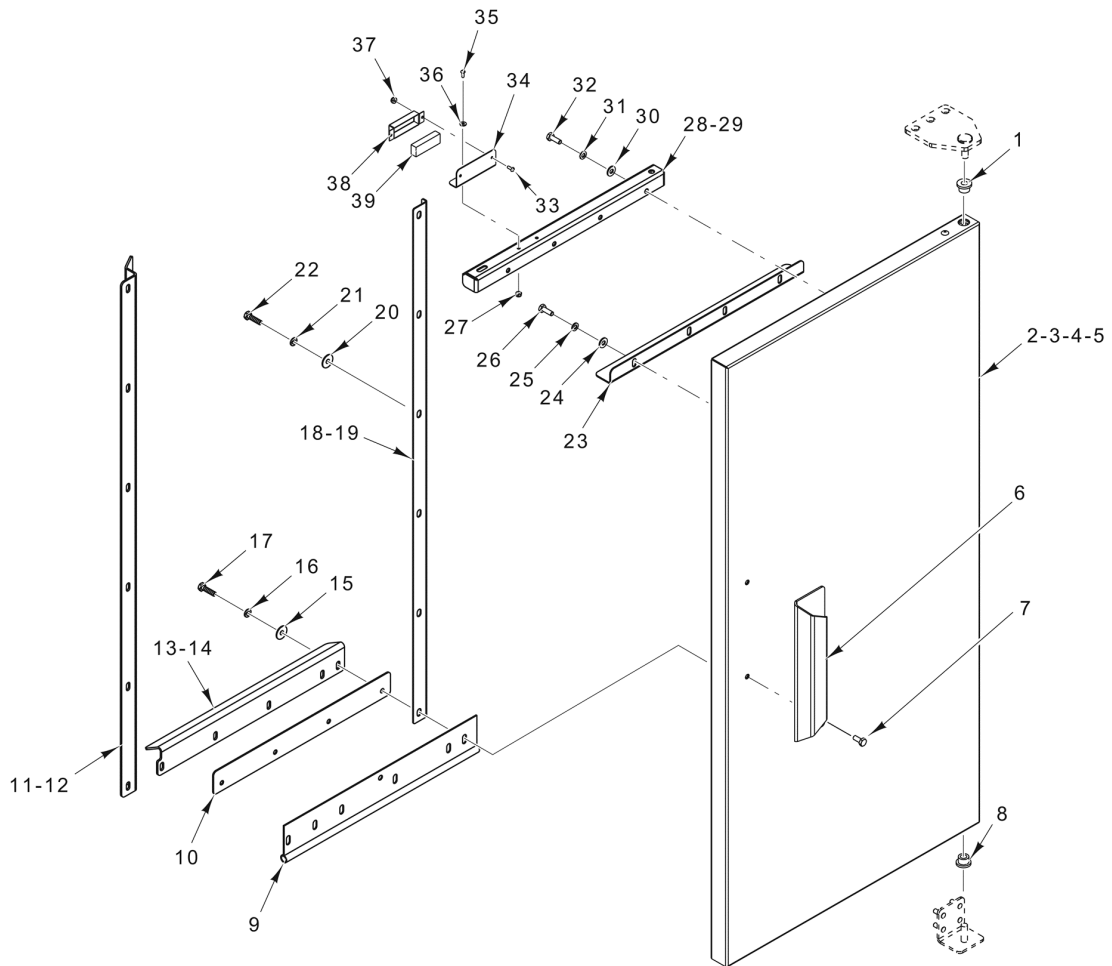
**HINGED DOORS ATTACHMENT
(WASH/RINSE SECTION)**

**HINGED DOORS ATTACHMENT
(WASH/RINSE SECTION)**

ILLUS.	PART NO.	NAME OF PART	AMT.
PL-58050			
1	00-892208	Bracket - Slide Door Stop (RH).....	1
2	WS-017-01	Washer 0.328 x 0.875 x 0.062 (SST).....	AR
3	00-892207-00002	Rod - Door Stop Weldment.....	2
4	SL-005-14	Spring - Loading.....	2
5	NS-031-29	Stop Nut 5/16-18 Hex (SST).....	AR
6	SC-041-17	Cap Screw 5/16-18 x 1-1/2 Hex Hd. (SST).....	6
7	WL-006-23	Lockwasher 5/16 Helical (SST).....	AR
8	NS-015-11	Nut 5/16-18 Hex (SST).....	AR
9	00-892497	Gasket - Lower Door (Corner).....	1
10	00-892436-00001	Seal - Chamber Opening (Lower RH).....	1
11	00-892497	Gasket - Lower Door (Corner).....	1
12	00-892436-00002	Seal - Chamber Opening (Lower LH).....	1
13	WS-017-06	Washer (SST).....	AR
14	WL-006-17	Lockwasher 1/4 Helical (SST).....	AR
15	NS-015-01	Nut 1/4-20 Hex (SST).....	AR
16	00-892190-00001	Bracket - Seal (Chamber Opening) (Standard Height).....	1
17	00-892190-00002	Bracket - Seal (Chamber Opening) (6 In. Higher Than Standard).....	1
18	SC-041-05	Cap Screw 1/4-20 x 5/8 Hex Hd. (SST).....	AR
19	00-892208-00002	Bracket - Slide Door Stop (LH).....	1
20	00-892589	Deflector - Chamber Top.....	1
21	NS-048-84	Jam Nut M12 x 1-3/4 Hex (SST).....	AR
22	00-324221	Catch - Door.....	AR
23	00-892195	Support - Door Catch.....	1
24	00-892190-00001	Bracket - Seal (Chamber Opening) (Standard Height).....	1
25	00-892190-00002	Bracket - Seal (Chamber Opening) (6 In. Higher Than Standard).....	1
26	00-892188-00002	Bracket - Seal.....	1
27	00-892209	Plate - Door Stop Reinforcement.....	2
28	SC-041-11	Cap Screw 5/16-18 x 3/4 Hex Hd. (SST).....	AR
29	00-748124	Bracket - Adjustment Magnet (Previous Construction).....	2
30	00-918566	Bracket - Interlock Switch (New Controls).....	1
31	00-473109-005-5	Switch Assy. (Previous Construction).....	2
32	00-473109-005-5	Switch Assy.....	2
33	00-473109-005-5	Switch Assy.....	2
34	00-473109-005-5	Switch Assy.....	2
35	00-473109-005-5	Switch Assy.....	1
36	00-473109-005-4	Switch - Interlock (New Controls).....	1
37	00-892204	Latch - Reinforcement (Chamber).....	1

SLIDING DOORS (FT900W)

ILLUS. PL-58679	PART NO.	NAME OF PART	AMT.
1	SC-041-05	Cap Screw 1/4-20 x 5/8 Hex Hd. (SST).....	8
2	WL-006-17	Lockwasher 1/4 Helical (SST).....	8
3	WS-017-06	Washer (SST).....	8
4	00-476421-00002	Guide - Door (Standard Height).....	2
5	00-476421-00001	Guide - Door (6 In. Higher Than Standard).....	2
6	00-476422-00002	Retainer - Guide (16 In.) (Standard Height).....	2
7	00-476422-00001	Retainer - Guide (22 In.) (6 In. Higher Than Standard).....	2
8	00-476206-00002	Handle - Door (34 In.).....	1
9	NS-031-21	Stop Nut 1/4-20 Hex (SST).....	8
10	WS-003-47	Washer (SST).....	8
11	00-012114	Pin.....	2
12	PC-005-02	Cotter Pin 1/16 x 1/2 (SST).....	2
13	00-476978-00002	Catch (34 In. Split Door, Lower).....	1
14	00-748221	Handle (Split Door, Lower).....	1
15	SC-041-12	Cap Screw 5/16-18 x 7/8 Hex Hd. (SST).....	2
16	WS-017-01	Washer 0.328 x 0.875 x 0.062 (SST).....	2
17	WL-006-23	Lockwasher 5/16 Helical (SST).....	2
18	00-893506-00002	Split Door Assy. (Lower) (34 In.) (Incls. Items 8, 14 thru 17, & 25).....	1
19	00-893504-00005	NLA - Obsolete--Door Assy. (34 In.) (Standard Height) (Incls. Items 8 & 21).....	1
20	00-893504-00002	Door Assy. (34 In.) (6 In. Higher Than Standard) (Incls. Items 8 & 22).....	1
21	00-476197-00003	Guide - Door Extrusion (Full Door) (Standard Height).....	2
22	00-476197-00004	Guide - Door Extrusion (Full Door) (6 In. Higher Than Standard).....	2
23	00-476904-00004	Guide - Door (Split Upper Door) (Standard Height).....	2
24	00-476904-00005	Guide - Door (Split Upper Door) (6 In. Higher Than Standard).....	2
25	00-476904-00006	Guide - Door (Split Lower Door).....	2
26	00-893505-00005	Split Door Assy. (Upper) (34 In.) (Standard Height) (Incls. Items 8 & 23).....	1
27	00-893505-00002	Split Door Assy. (Upper) (34 In.) (6 In. HTS) (Incls. Items 8 & 24).....	1
28	00-476269	Plate - Spring Guide.....	3
29	00-476270	Plate - Spring Protector.....	3
30	00-476267	Bracket - Door Spring Mounting.....	3
31	00-476265-00001	Spring Assy. - Door (Note Dash Number on End Plate).....	3
32	00-476265-00002	Spring Assy. - Door (Note Dash Number on End Plate).....	3
33	00-066233	Retainer - Clip Support.....	AR
34	00-475784	Pin - Axle (Spring Spool).....	3
35	00-749503	Bracket - Spring Spool.....	3
36	00-476208-00002	Seal - Door (34 In.).....	1
37	SC-041-05	Cap Screw 1/4-20 x 5/8 Hex Hd. (SST).....	5
38	WL-006-17	Lockwasher 1/4 Helical (SST).....	5
39	00-476872	Bracket - Magnet.....	1
40	00-290160	Magnet.....	1
41	SC-127-26	Mach. Screw 6-32 x 3/8 Phil. Rd. Hd. (SST).....	4
42	NS-031-50	Stop Nut 6-32 Hex (SST).....	4
43	00-290159	Retainer - Magnet.....	1
44	00-473109-005-5	Switch Assy.....	1
45	00-473109-005-4	Switch - Interlock (New Controls).....	1
46	00-748124	Bracket - Adjustment Magnet (Previous Construction).....	1
47	00-918566	Bracket - Interlock Switch (New Controls).....	1
48	NS-031-50	Stop Nut 6-32 Hex (SST).....	AR
49	00-109920	Label - Short Curtain.....	1
50	NS-031-16	Stop Nut 10-24 Hex Elastic (SST).....	2
51	00-476266	Plate - Back (Spring).....	1

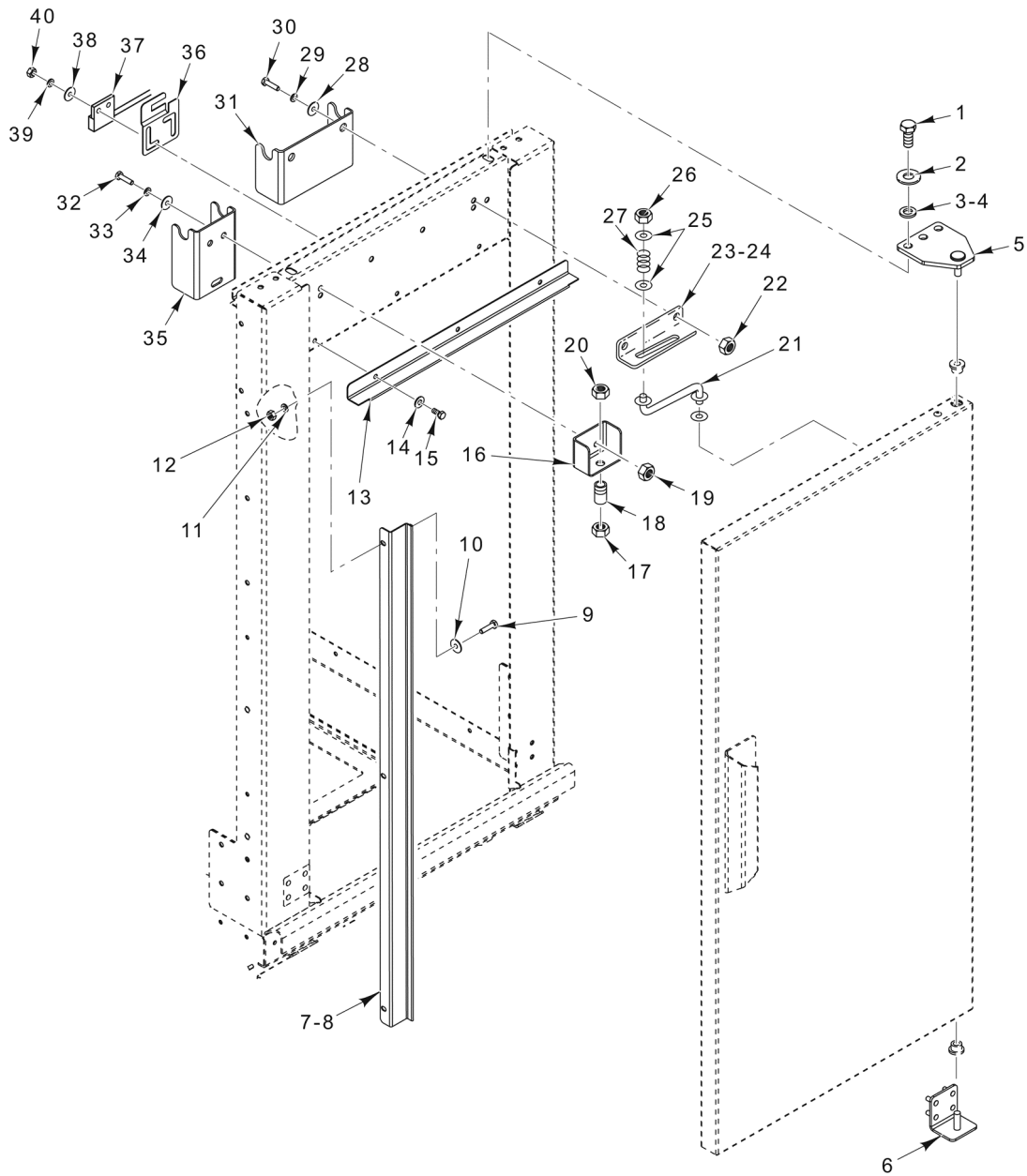


PL-60310

**HINGED DOOR
(DUAL RINSE SECTION)**

**HINGED DOOR
(DUAL RINSE SECTION)**

ILLUS. PL-60310	PART NO.	NAME OF PART	AMT.
1	00-892210	Bearing - Door Hinge.....	1
2	00-942058	Door Assy. (RH) (STD) (Incls. Items 6, 7, 9, 10, 11, 13, 15 thru 18, 20 thru 28, & 30 thru 39).....	1
3	00-942059	Door Assy. (LH) (STD) (Incls. Items 6, 7, 9, 10, 11, 14 thru 18, 20 thru 27, & 29 thru 39).....	1
4	00-942060	Door Assy. (RH) (6 In. HTS) (Incls. Items 6, 7, 9, 10, 12, 13, 15, 16, 17, 19 thru 28, & 30 thru 39).....	1
5	00-942061	Door Assy. (LH) (6 In. HTS) (Incls. Items 6, 7, 9, 10, 12, 14 thru 17, 19 thru 27, & 29 thru 39).....	1
6	00-892214	Handle - Door.....	1
7	SC-041-05	Cap Screw 1/4-20 x 5/8 Hex Hd. (SST).....	2
8	00-892210	Bearing - Door Hinge.....	1
9	00-892211-00003	Gasket - Lower Door.....	1
10	00-892213-00001	Plate - Lower Seal Spacer.....	1
11	00-942015-00001	Seal - Door (Standard Height).....	1
12	00-942015-00002	Seal - Door (6 In. Higher Than Standard).....	1
13	00-942069-00002	Seal - Lower Door (RH).....	1
14	00-942069-00001	Seal - Lower Door (LH).....	1
15	WS-003-47	Washer (SST).....	6
16	WL-006-17	Lockwasher 1/4 Helical (SST).....	6
17	SC-041-02	Cap Screw 1/4-20 x 1 Hex Hd. (SST).....	6
18	00-892196-00001	Deflector - Door Side (Standard Height).....	1
19	00-892196-00002	Deflector - Door Side (6 In. Higher Than Standard).....	1
20	WS-003-47	Washer (SST).....	10
21	WL-006-17	Lockwasher 1/4 Helical (SST).....	10
22	SC-041-01	Cap Screw 1/4-20 x 3/4 Hex Hd. (SST).....	10
23	00-942067	Bracket - Seal (Upper Door).....	1
24	WS-017-06	Washer (SST).....	4
25	WL-006-17	Lockwasher 1/4 Helical (SST).....	4
26	SC-041-01	Cap Screw 1/4-20 x 3/4 Hex Hd. (SST).....	4
27	NS-031-50	Stop Nut 6-32 Hex (SST).....	2
28	00-942066-00002	Bracket - Door Catch (RH).....	1
29	00-942066-00001	Bracket - Door Catch (LH).....	1
30	WS-017-06	Washer (SST).....	4
31	WL-006-17	Lockwasher 1/4 Helical (SST).....	4
32	SC-041-01	Cap Screw 1/4-20 x 3/4 Hex Hd. (SST).....	4
33	SC-021-08	Mach. Screw 6-32 x 3/8 Slotted Rd. Hd. (SST).....	2
34	00-892187	Bracket - Door Magnet.....	1
35	SC-021-08	Mach. Screw 6-32 x 3/8 Slotted Rd. Hd. (SST).....	2
36	WS-017-06	Washer (SST).....	2
37	NS-031-50	Stop Nut 6-32 Hex (SST).....	2
38	00-290159	Retainer - Magnet.....	1
39	00-290160	Magnet.....	1

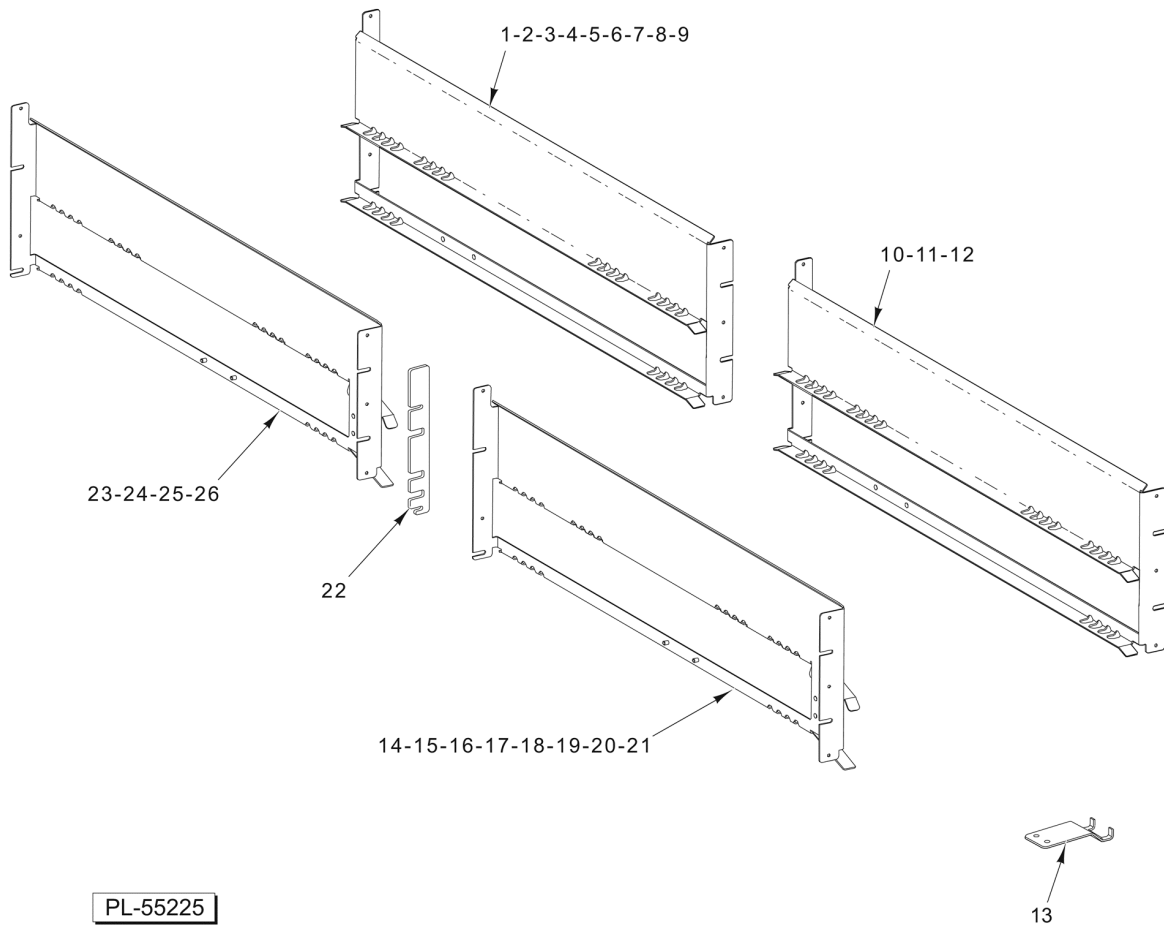


PL-60311

**HINGED DOOR ATTACHMENT
(DUAL RINSE SECTION)**

**HINGED DOOR ATTACHMENT
(DUAL RINSE SECTION)**

ILLUS. PL-60311	PART NO.	NAME OF PART	AMT.
1	SC-041-17	Cap Screw 5/16-18 x 1-1/2 Hex Hd. (SST).....	3
2	WS-017-01	Washer 0.328 x 0.875 x 0.062 (SST).....	6
3	WL-006-23	Lockwasher 5/16 Helical (SST).....	3
4	NS-015-11	Nut 5/16-18 Hex (SST).....	3
5	00-892184	Plate - Top Hinge Weldment.....	1
6	00-892185	Bracket - Bottom Hinge Weldment.....	1
7	00-942037-00001	Bracket - Seal (Chamber Opening) (Standard Height).....	1
8	00-942037-00002	Bracket - Seal (Chamber Opening) (6 In. Higher Than Standard).....	1
9	SC-041-05	Cap Screw 1/4-20 x 5/8 Hex Hd. (SST).....	3
10	WS-017-06	Washer (SST).....	3
11	WL-006-17	Lockwasher 1/4 Helical (SST).....	3
12	NS-015-01	Nut 1/4-20 Hex (SST).....	3
13	00-892188-00003	Bracket - Seal.....	1
14	WS-017-06	Washer (SST).....	3
15	SC-041-05	Cap Screw 1/4-20 x 5/8 Hex Hd. (SST).....	3
16	00-942065	Support - Door Catch.....	1
17	NS-048-84	Jam Nut M12 x 1-3/4 Hex (SST).....	1
18	00-814046	Door - Catch.....	1
19	NS-015-11	Nut 5/16-18 Hex (SST).....	2
20	NS-048-84	Jam Nut M12 x 1-3/4 Hex (SST).....	1
21	00-892207-00002	Rod - Door Stop Weldment.....	1
22	NS-015-11	Nut 5/16-18 Hex (SST).....	2
23	00-892208	Bracket - Slide Door Stop (RH).....	1
24	00-892208-00002	Bracket - Slide Door Stop (LH).....	1
25	WS-017-01	Washer 0.328 x 0.875 x 0.062 (SST).....	3
26	NS-031-29	Stop Nut 5/16-18 Hex (SST).....	2
27	SL-005-14	Spring - Loading.....	1
28	WL-006-23	Lockwasher 5/16 Helical (SST).....	2
29	WS-017-01	Washer 0.328 x 0.875 x 0.062 (SST).....	2
30	SC-041-11	Cap Screw 5/16-18 x 3/4 Hex Hd. (SST).....	2
31	00-892209	Plate - Door Stop Reinforcement.....	1
32	SC-041-11	Cap Screw 5/16-18 x 3/4 Hex Hd. (SST).....	2
33	WS-017-01	Washer 0.328 x 0.875 x 0.062 (SST).....	2
34	WL-006-23	Lockwasher 5/16 Helical (SST).....	2
35	00-942125	Latch - Reinforcement.....	1
36	00-918566	Bracket - Interlock Switch (New Controls).....	1
37	00-473109-005-4	Switch - Interlock (New Controls).....	1
38	WS-017-06	Washer (SST).....	2
39	WL-006-17	Lockwasher 1/4 Helical (SST).....	2
40	NS-015-01	Nut 1/4-20 Hex (SST).....	2



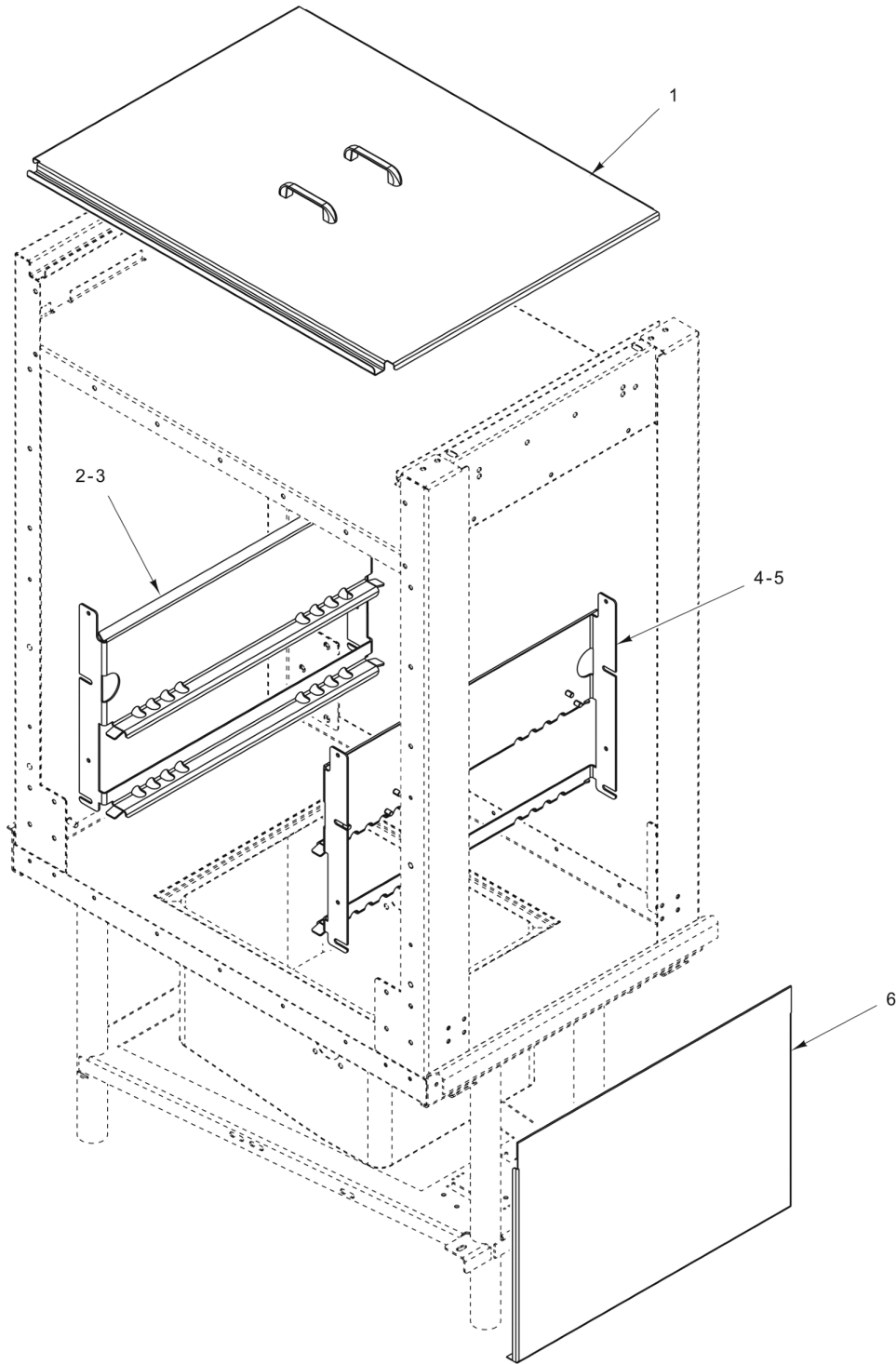
**TRACKS
(WASH/RINSE SECTION)**

**TRACKS
(WASH/RINSE SECTION)**

ILLUS. PL-55225	PART NO.	NAME OF PART	AMT.
1	00-476148-00005	Track (Rear LH, R-L).....	1
2	00-476148-00002	Track (Rear LH, L-R).....	1
3	00-476148-00009	Track (Rear R-L) (FT900S).....	1
4	00-476148-00016	Track (Rear, R-L) (FT900W).....	1
5	00-476148-00017	Track (Rear, L-R) (FT900W).....	1
6	00-476148-00018	Track (Rear, R-L).....	1
7	00-476148-00019	Track (Rear, L-R).....	1
8	00-476148-00020	Track (Rear Chamber, R-L) (FT900S).....	1
9	00-476148-00021	Track (Rear Chamber, L-R) (FT900S).....	1
10	00-476148-00003	Track (Rear RH, R-L).....	1
11	00-476148-00007	Track (Rear RH, L-R).....	1
12	00-476148-00011	Track (Rear L-R) (FT900S).....	1
13	00-476349	Bracket - Panel.....	3
*14	00-476148-00002	Track (Front RH, R-L).....	1
*15	00-476148-00006	Track (Front RH, L-R).....	1
**16	00-748000-00001	Track (Front RH, R-L) (Split Doors).....	1
**17	00-748000-00004	Track (Front RH, L-R) (Split Doors).....	1
18	00-748000-00005	Track (Front R-L) (Split Doors) (FT900S).....	1
19	00-476148-00008	Track (Front R-L) (FT900S).....	1
20	00-748000-00006	Track (Front L-R) (Split Doors) (FT900S).....	1
21	00-476148-00010	Track (Front L-R) (FT900S).....	1
22	00-936821	Shim - Track.....	AR
*23	00-476148-00004	Track (Front LH, R-L).....	1
*24	00-476148-00003	Track (Front LH, L-R).....	1
*25	00-748000-00003	Track (Front LH, R-L) (Split Doors).....	1
**26	00-748000-00002	Track (Front LH, L-R) (Split Doors).....	1

* Use with full sliding doors and hinged doors.

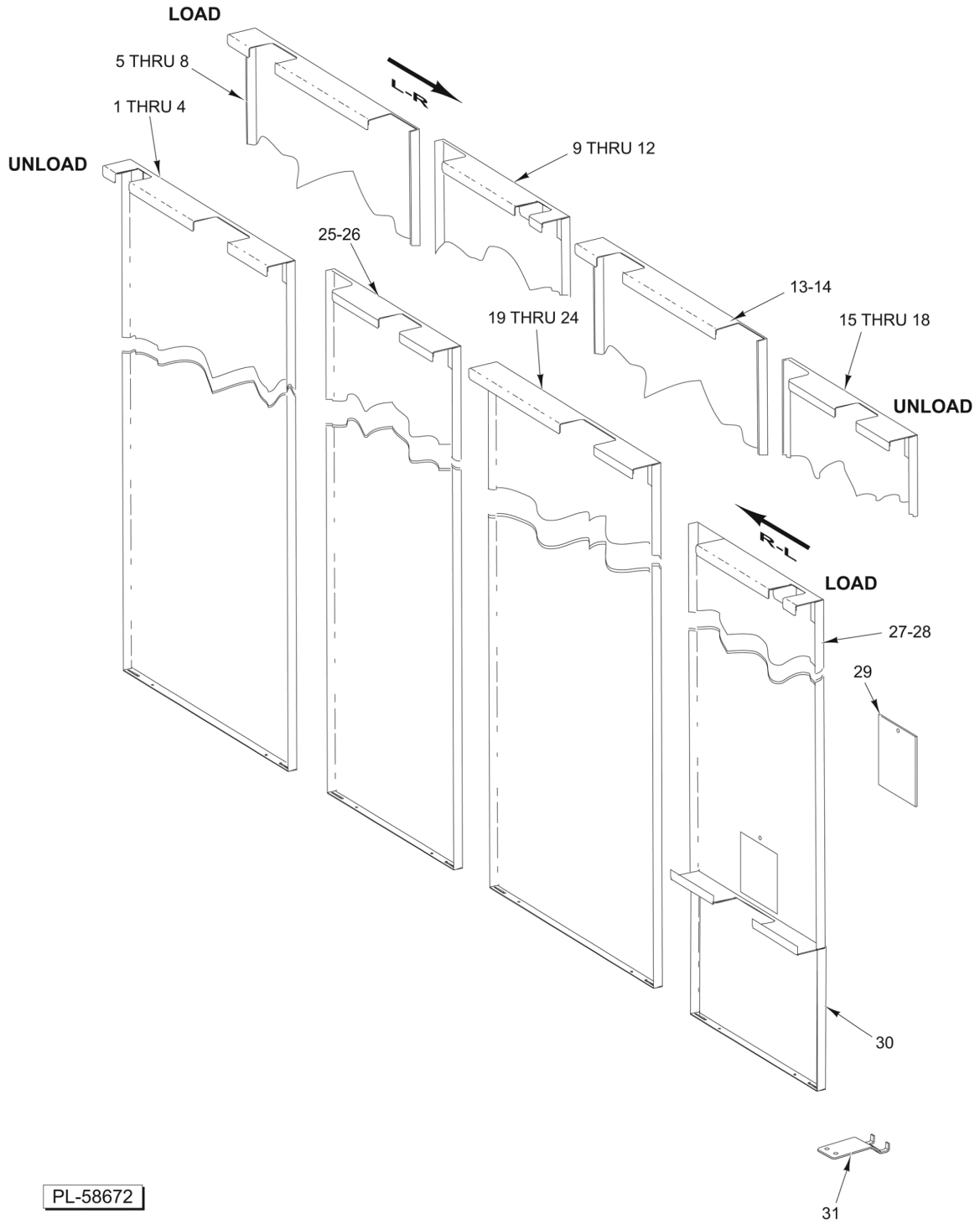
** Use with split sliding doors.



**TRACKS
(DUAL RINSE SECTION)**

**TRACKS
(DUAL RINSE SECTION)**

ILLUS.	PART NO.	NAME OF PART	AMT.
PL-60315			
1	00-476165-00003	Lid Assy. - Chamber.....	1
2	00-942016-00003	Track (Rear, R-L).....	1
3	00-942016-00004	Track (Rear, L-R).....	1
4	00-942016-00001	Track (Front, R-L).....	1
5	00-942016-00002	Track (Front, L-R).....	1
6	00-476170-00001	Panel - Trim (24 In.).....	1

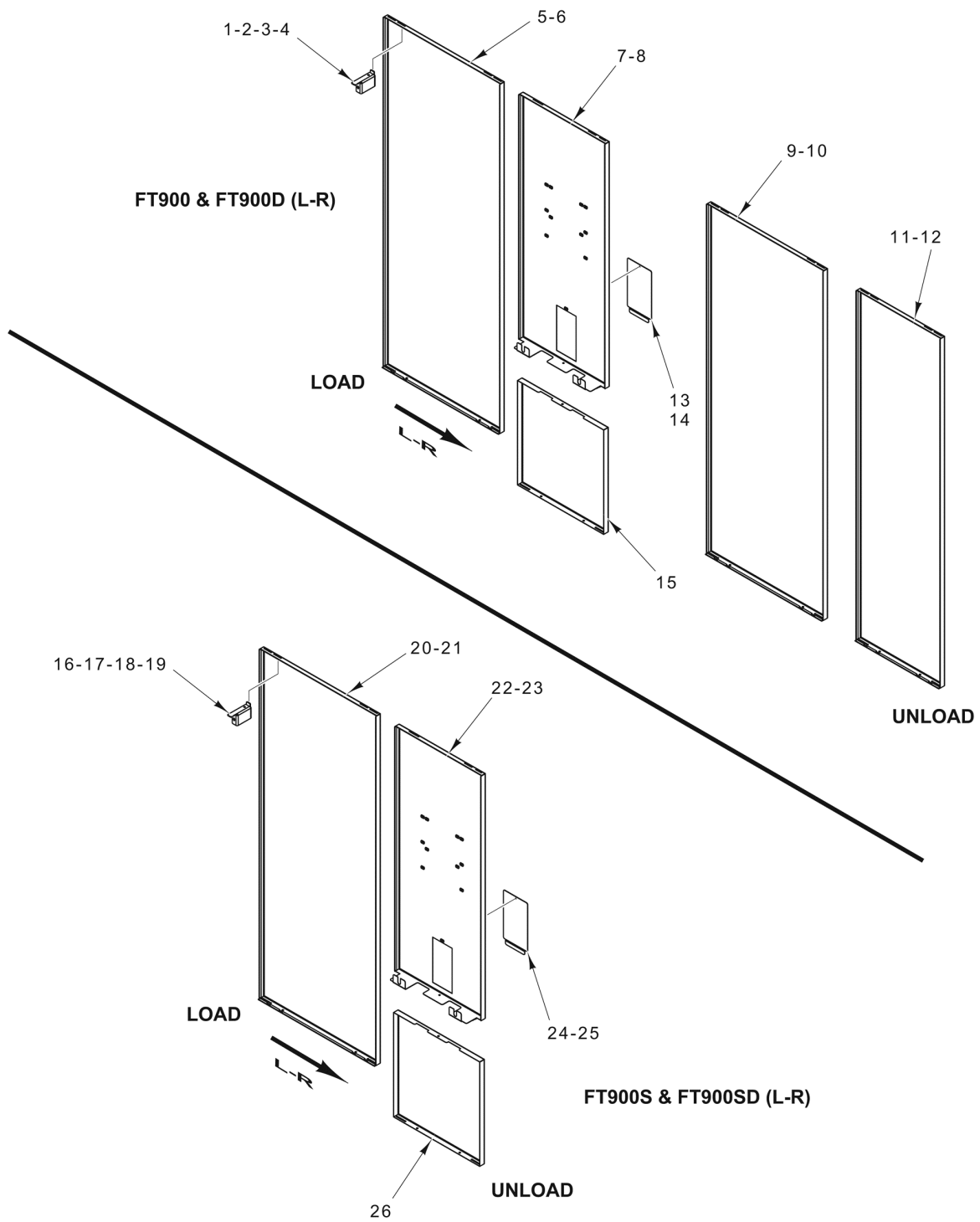


PL-58672

**REAR PANELS
(CENTER SECTION)
(PREVIOUS CONSTRUCTION)**

**REAR PANELS
(CENTER SECTION)
(PREVIOUS CONSTRUCTION)**

ILLUS. PL-58672	PART NO.	NAME OF PART	AMT.
1	00-476889-00002	Panel - Rinse (R-L) (Standard Height) (FT900) (4th Panel).....	1
2	00-893639-00002	Panel - Rinse (R-L) (Standard Height) (FT900D) (4th Panel).....	1
3	00-476889-00001	Panel - Rinse (R-L) (6 In. HTS) (FT900) (4th Panel).....	1
4	00-893639-00003	Panel - Rinse (R-L) (6 In. HTS) (FT900D) (4th Panel).....	1
5	00-476887-00002	Panel - Center (L-R) (Standard Height) (FT900 & FT900D) (1st Panel).....	1
6	00-748080-00002	Panel - Center (L-R) (Standard Height) (FT900S & FT900SD) (1st Panel).....	1
7	00-476887-00001	Panel - Center (L-R) (6 In. HTS) (FT900 & FT900D) (1st Panel).....	1
8	00-748080-00001	Panel - Center (L-R) (6 In. HTS) (FT900S & FT900SD) (1st Panel).....	1
9	00-476360-00002	Panel - Dispenser (L-R)(Std Height)(FT900, FT900D, & FT900S)(2nd Upper Panel)	1
10	00-919880-00002	Panel - Dispenser (L-R) (Standard Height) (FT900SD) (2nd Upper Panel).....	1
11	00-476360-00001	Panel - Dispenser (L-R) (6 In. HTS) (FT900, FT900D, & FT900S) (2nd Upper Panel)	1
12	00-919880-00001	Panel - Dispenser (L-R) (6 In. HTS) (FT900SD) (2nd Upper Panel).....	1
13	00-476887-00002	Panel - Center (L-R) (Standard Height) (FT900 & FT900D) (3rd Panel).....	1
14	00-476887-00001	Panel - Center (L-R) (6 In. HTS) (FT900 & FT900D) (3rd Panel).....	1
15	00-476886-00004	Panel - Center (L-R) (Standard Height) (FT900) (4th Panel).....	1
16	00-893640-00002	Panel - Center (L-R) (Standard Height) (FT900D) (4th Panel).....	1
17	00-476886-00002	Panel - Center (L-R) (6 In. HTS) (FT900) (4th Panel).....	1
18	00-893640-00003	Panel - Center (L-R) (6 In. HTS) (FT900D) (4th Panel).....	1
19	00-476888-00002	Panel - Wash (R-L) (Standard Height) (FT900 & FT900D) (2nd Panel).....	1
20	00-748080-00002	Panel - Wash (R-L) (Standard Height) (FT900S) (2nd Panel).....	1
21	00-919881-00002	Panel - Wash (R-L) (Standard Height) (FT900SD) (2nd Panel).....	1
22	00-476888-00001	Panel - Wash (R-L) (6 In. HTS) (FT900 & FT900D) (2nd Panel).....	1
23	00-748080-00001	Panel - Wash (R-L) (6 In. HTS) (FT900S) (2nd Panel).....	1
24	00-919881-00001	Panel - Wash (R-L) (6 In. HTS) (FT900SD) (2nd Panel).....	1
25	00-476886-00004	Panel - Center (R-L) (Standard Height) (FT900 & FT900D) (3rd Panel).....	1
26	00-476886-00002	Panel - Center (R-L) (6 In. HTS) (FT900 & FT900D) (3rd Panel).....	1
27	00-476360-00002	Panel - Dispenser (R-L) (Rear) (Standard Height) (1st Upper Panel).....	1
28	00-476360-00001	Panel - Dispenser (R-L) (6 In. HTS) (1st Upper Panel).....	1
29	00-476353	Cover - Hole (Detergent).....	1
30	00-476358	Panel - Rear (R-L) (1st Lower Panel); (L-R) (2nd Lower Panel).....	1
31	00-476349	Bracket - Panel.....	3

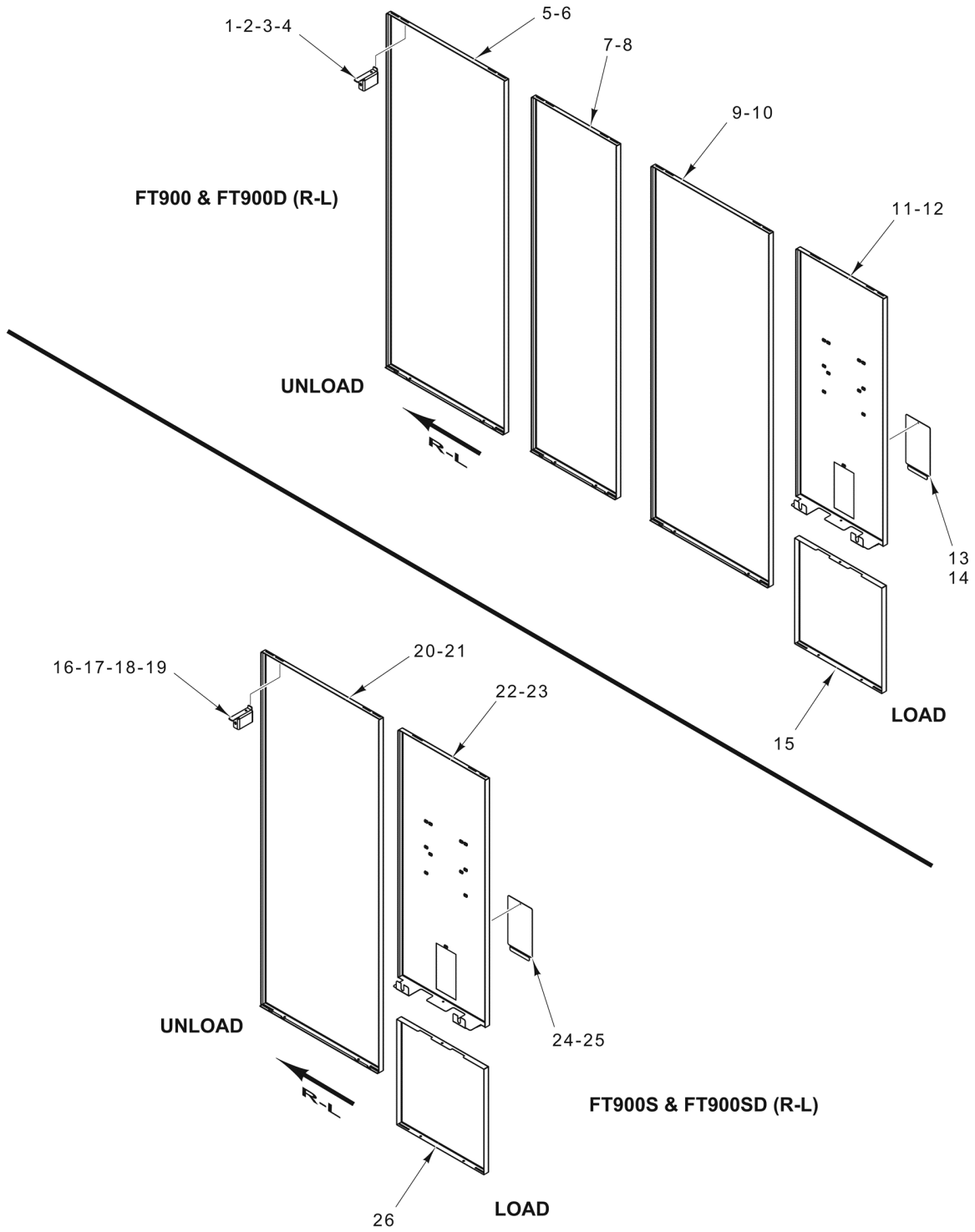


PL-60318

**REAR PANELS
(CENTER SECTION)
(L-R)
(CURRENT CONSTRUCTION)**

**REAR PANELS
(CENTER SECTION)
(L-R)
(CURRENT CONSTRUCTION)**

ILLUS. PL-60318	PART NO.	NAME OF PART	AMT.
1	SC-041-05	Cap Screw 1/4-20 x 5/8 Hex Hd. (SST).....	AR
2	WS-017-06	Washer (SST).....	AR
3	NS-031-21	Stop Nut 1/4-20 Hex (SST).....	AR
4	00-941455	Bracket - Panel Support.....	AR
5	00-941456-00002	Panel - Cover (Rear) (Standard Height).....	1
6	00-941456-00005	Panel - Cover (Rear) (6 In. Higher Than Standard).....	1
7	00-941468-00001	Panel - Rear Dispenser Cover (Standard).....	1
8	00-941468-00002	Panel - Rear Dispenser Cover (6 In. HTS).....	1
9	00-941456-00002	Panel - Cover (Rear) (Standard Height).....	1
10	00-941456-00005	Panel - Cover (Rear) (6 In. Higher Than Standard).....	1
11	00-941456-00001	Panel - Cover (Rear) (Standard Height).....	1
12	00-941456-00004	Panel - Cover (Rear) (6 In. Higher Than Standard).....	1
13	00-476353	Cover - Hole (Detergent).....	1
14	SC-053-02	Mach. Screw 10-24 x 1/2 Slotted Truss Hd. (SST).....	AR
15	00-476358	Panel - Rear (Lower).....	1
16	SC-041-05	Cap Screw 1/4-20 x 5/8 Hex Hd. (SST).....	AR
17	WS-017-06	Washer (SST).....	AR
18	NS-031-21	Stop Nut 1/4-20 Hex (SST).....	AR
19	00-941455	Bracket - Panel Support.....	AR
20	00-941456-00002	Panel - Cover (Rear) (Standard Height).....	1
21	00-941456-00005	Panel - Cover (Rear) (6 In. Higher Than Standard).....	1
22	00-941468-00001	Panel - Rear Dispenser Cover (Standard).....	1
23	00-941468-00002	Panel - Rear Dispenser Cover (6 In. HTS).....	1
24	00-476353	Cover - Hole (Detergent).....	1
25	SC-053-02	Mach. Screw 10-24 x 1/2 Slotted Truss Hd. (SST).....	AR
26	00-476358	Panel - Rear (Lower).....	1

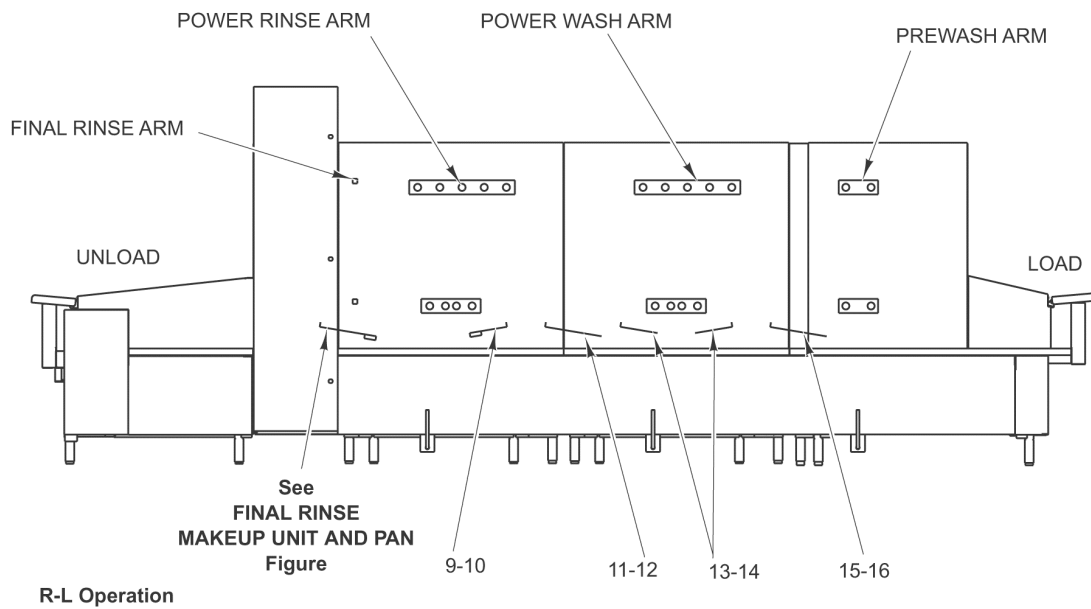
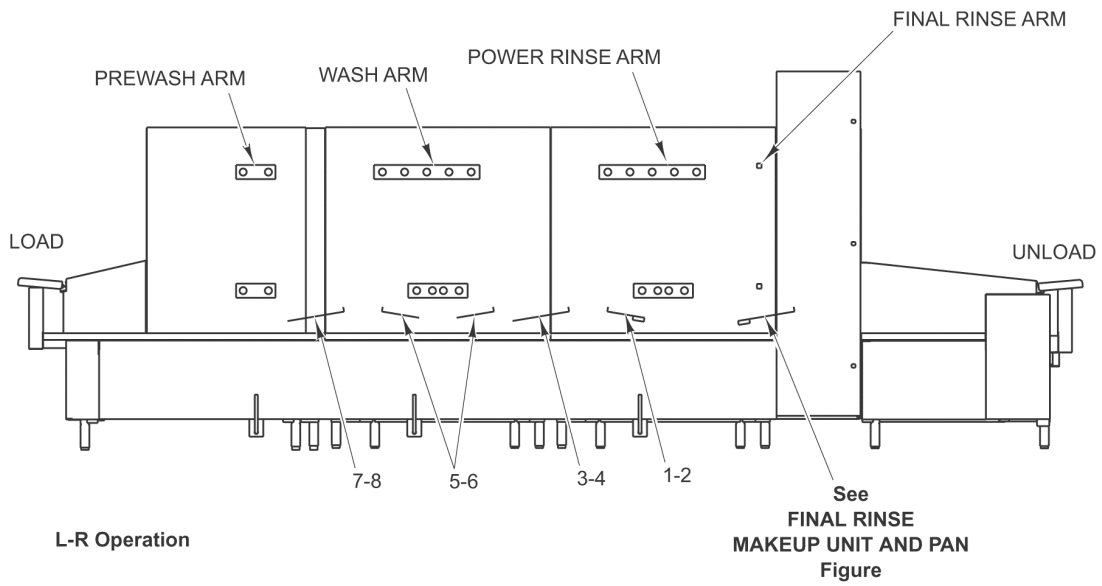


PL-60319

**REAR PANELS
(CENTER SECTION)
(R-L)
(CURRENT CONSTRUCTION)**

**REAR PANELS
(CENTER SECTION)
(R-L)
(CURRENT CONSTRUCTION)**

ILLUS. PL-60319	PART NO.	NAME OF PART	AMT.
1	SC-041-05	Cap Screw 1/4-20 x 5/8 Hex Hd. (SST).....	AR
2	WS-017-06	Washer (SST).....	AR
3	NS-031-21	Stop Nut 1/4-20 Hex (SST).....	AR
4	00-941455	Bracket - Panel Support.....	AR
5	00-941456-00002	Panel - Cover (Rear) (Standard Height).....	1
6	00-941456-00005	Panel - Cover (Rear) (6 In. Higher Than Standard).....	1
7	00-941456-00001	Panel - Cover (Rear) (Standard Height).....	1
8	00-941456-00004	Panel - Cover (Rear) (6 In. Higher Than Standard).....	1
9	00-941456-00002	Panel - Cover (Rear) (Standard Height).....	1
10	00-941456-00005	Panel - Cover (Rear) (6 In. Higher Than Standard).....	1
11	00-941468-00001	Panel - Rear Dispenser Cover (Standard).....	1
12	00-941468-00002	Panel - Rear Dispenser Cover (6 In. HTS).....	1
13	00-476353	Cover - Hole (Detergent).....	1
14	SC-053-02	Mach. Screw 10-24 x 1/2 Slotted Truss Hd. (SST).....	AR
15	00-476358	Panel - Rear (Lower).....	1
16	SC-041-05	Cap Screw 1/4-20 x 5/8 Hex Hd. (SST).....	AR
17	WS-017-06	Washer (SST).....	AR
18	NS-031-21	Stop Nut 1/4-20 Hex (SST).....	AR
19	00-941455	Bracket - Panel Support.....	AR
20	00-941456-00002	Panel - Cover (Rear) (Standard Height).....	1
21	00-941456-00005	Panel - Cover (Rear) (6 In. Higher Than Standard).....	1
22	00-941468-00001	Panel - Rear Dispenser Cover (Standard).....	1
23	00-941468-00002	Panel - Rear Dispenser Cover (6 In. HTS).....	1
24	00-476353	Cover - Hole (Detergent).....	1
25	SC-053-02	Mach. Screw 10-24 x 1/2 Slotted Truss Hd. (SST).....	AR
26	00-476358	Panel - Rear (Lower).....	1

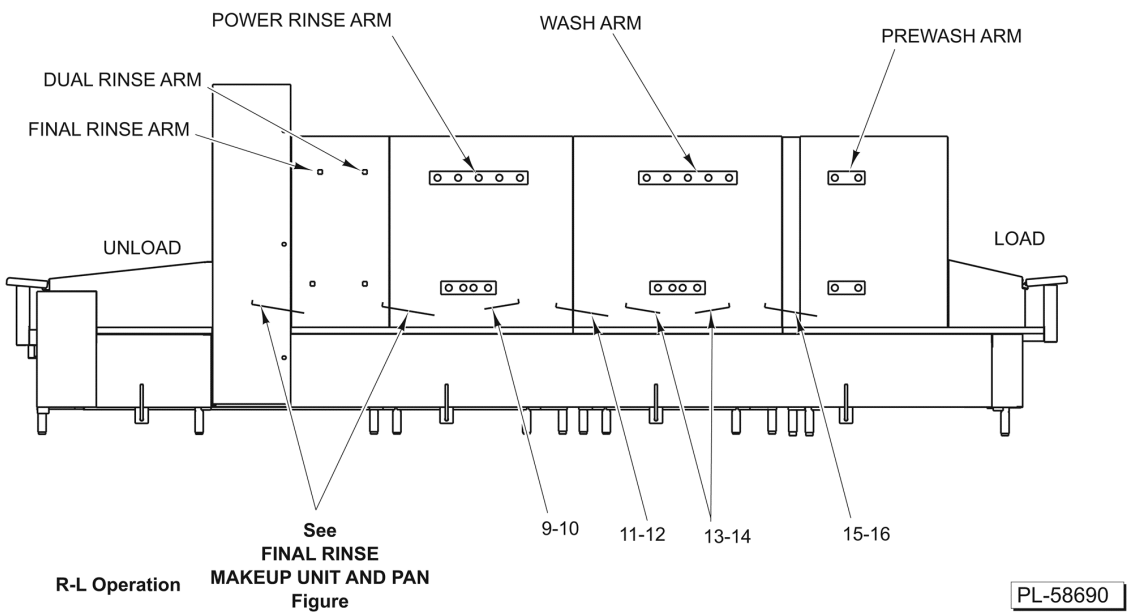
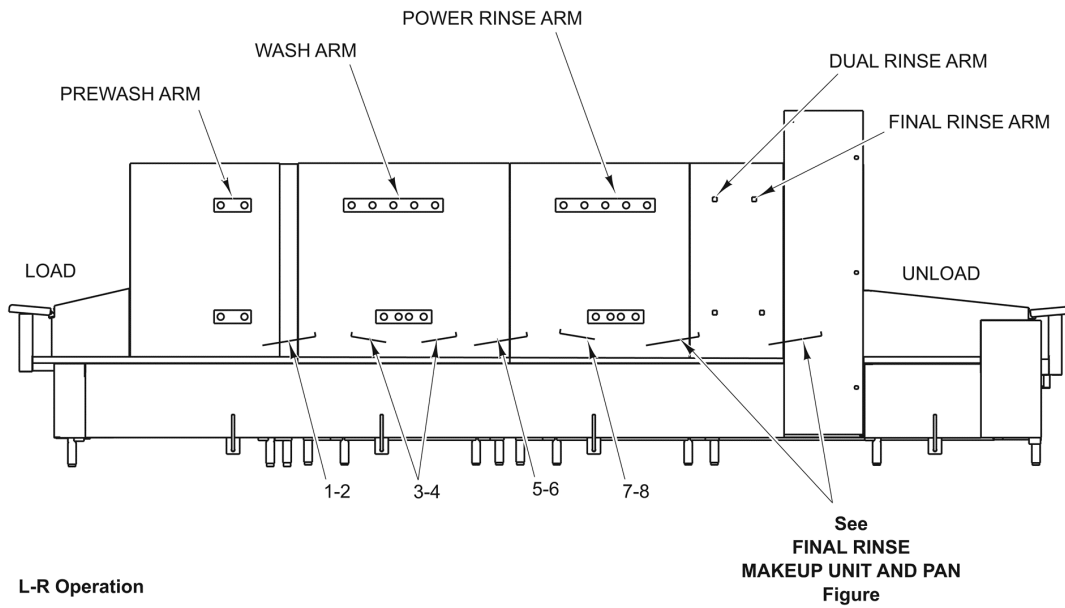


PL-58693

DRAINBACK PANS (FT900)

DRAINBACK PANS (FT900)

ILLUS.	PART NO.	NAME OF PART	AMT.
PL-58693			
1	00-476452-00002	Pan - Flow Back (7.059 In.).....	AR
2	00-892535	Bracket - Pan Flow Back.....	AR
3	00-476453-00007	Pan - Flow Back (12.059 In.).....	AR
4	00-892534	Bracket - Pan Flow Back.....	AR
5	00-476452-00002	Pan - Flow Back (7.059 In.).....	AR
6	00-892535	Bracket - Pan Flow Back.....	AR
7	00-476453-00007	Pan - Flow Back (12.059 In.).....	AR
8	00-892534	Bracket - Pan Flow Back.....	AR
9	00-476452-00002	Pan - Flow Back (7.059 In.).....	AR
10	00-892535	Bracket - Pan Flow Back.....	AR
11	00-476453-00007	Pan - Flow Back (12.059 In.).....	AR
12	00-892534	Bracket - Pan Flow Back.....	AR
13	00-476452-00002	Pan - Flow Back (7.059 In.).....	AR
14	00-892535	Bracket - Pan Flow Back.....	AR
15	00-476453-00007	Pan - Flow Back (12.059 In.).....	AR
16	00-892534	Bracket - Pan Flow Back.....	AR

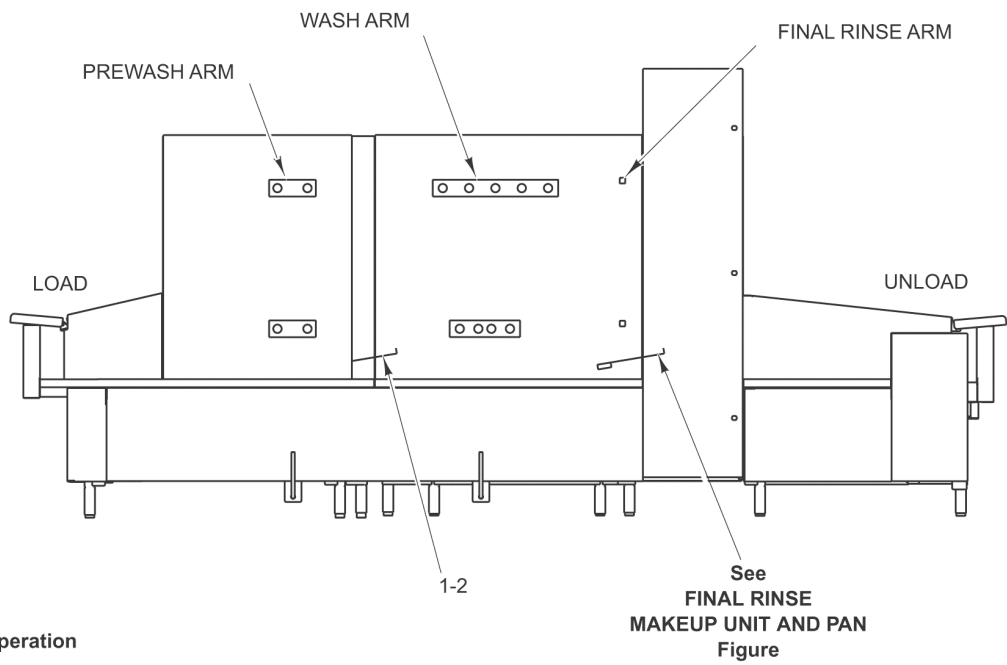


PL-58690

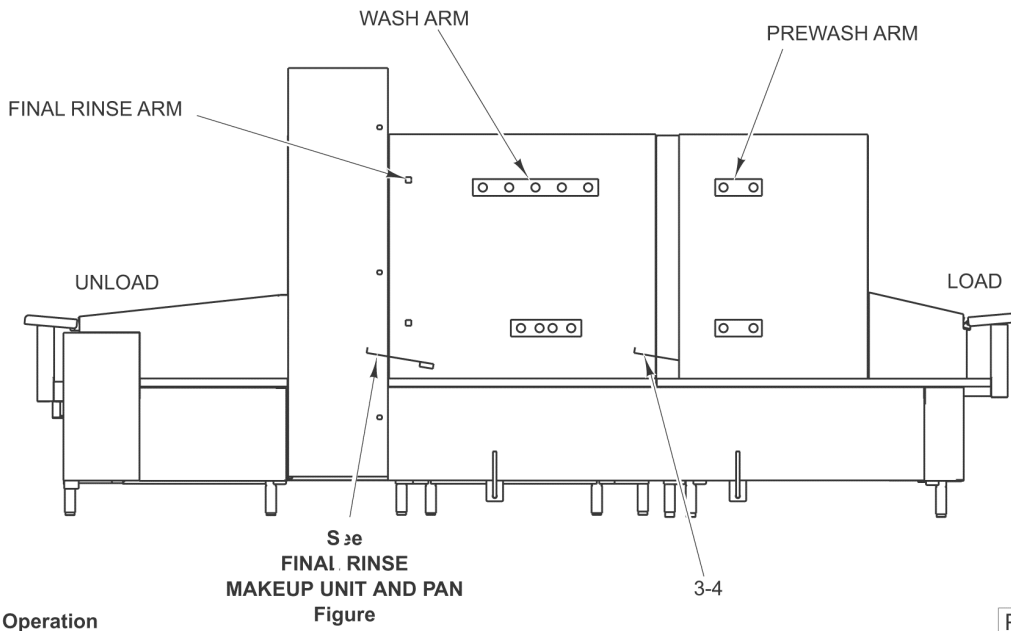
DRAINBACK PANS (FT900D)

DRAINBACK PANS (FT900D)

ILLUS.	PART NO.	NAME OF PART	AMT.
PL-58690			
1	00-476453-00007	Pan - Flow Back (12.059 In.).....	AR
2	00-892534	Bracket - Pan Flow Back.....	AR
3	00-476452-00002	Pan - Flow Back (7.059 In.).....	AR
4	00-892535	Bracket - Pan Flow Back.....	AR
5	00-476453-00007	Pan - Flow Back (12.059 In.).....	AR
6	00-892534	Bracket - Pan Flow Back.....	AR
7	00-476452-00002	Pan - Flow Back (7.059 In.).....	AR
8	00-892535	Bracket - Pan Flow Back.....	AR
9	00-476452-00002	Pan - Flow Back (7.059 In.).....	AR
10	00-892535	Bracket - Pan Flow Back.....	AR
11	00-476453-00007	Pan - Flow Back (12.059 In.).....	AR
12	00-892534	Bracket - Pan Flow Back.....	AR
13	00-476452-00002	Pan - Flow Back (7.059 In.).....	AR
14	00-892535	Bracket - Pan Flow Back.....	AR
15	00-476453-00007	Pan - Flow Back (12.059 In.).....	AR
16	00-892534	Bracket - Pan Flow Back.....	AR



L-R Operation



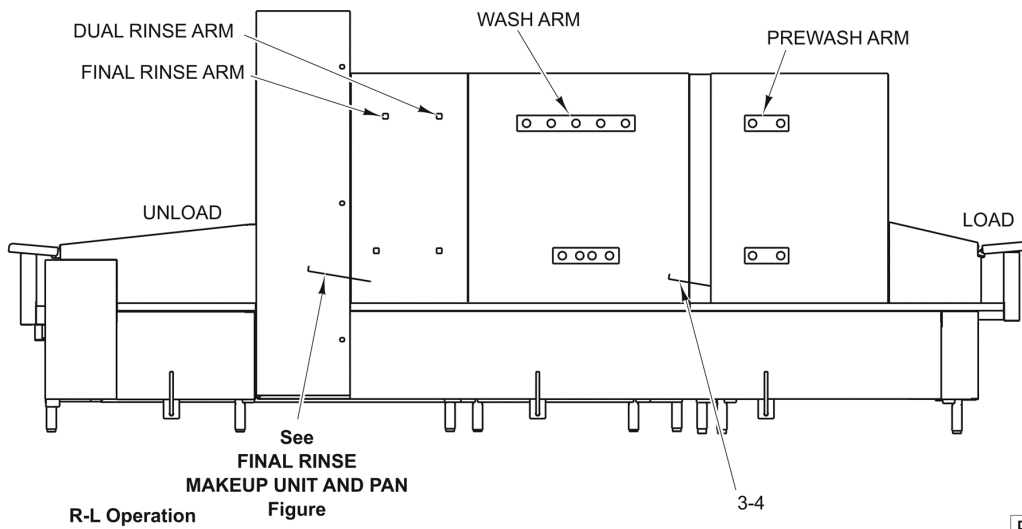
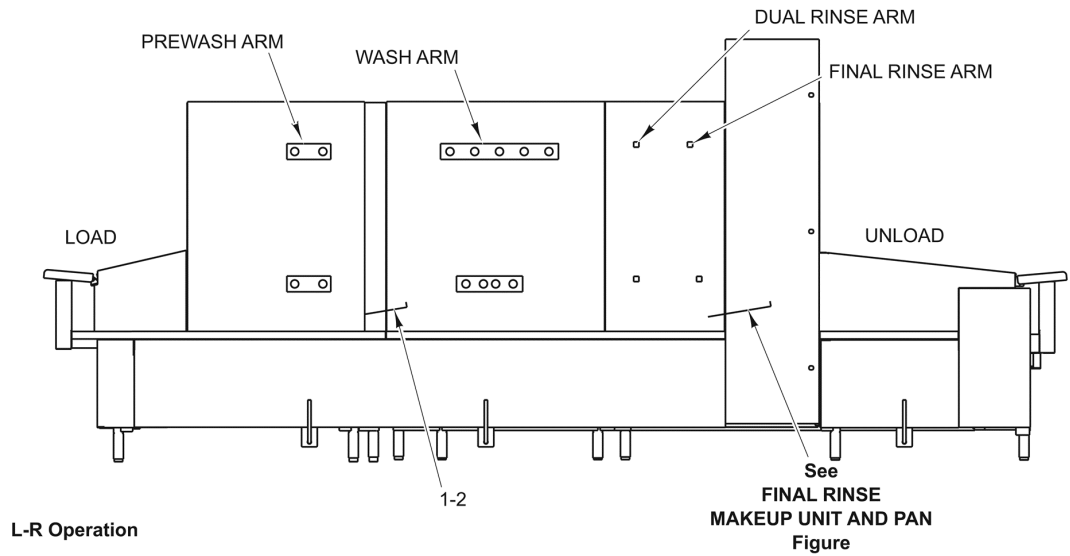
R-L Operation

PL-58694

DRAINBACK PANS (FT900S)

DRAINBACK PANS (FT900S)

ILLUS.	PART NO.	NAME OF PART	AMT.
PL-58694			
1	00-476452-00002	Pan - Flow Back (7.059 In.).....	AR
2	00-892535	Bracket - Pan Flow Back.....	AR
3	00-476452-00002	Pan - Flow Back (7.059 In.).....	AR
4	00-892535	Bracket - Pan Flow Back.....	AR

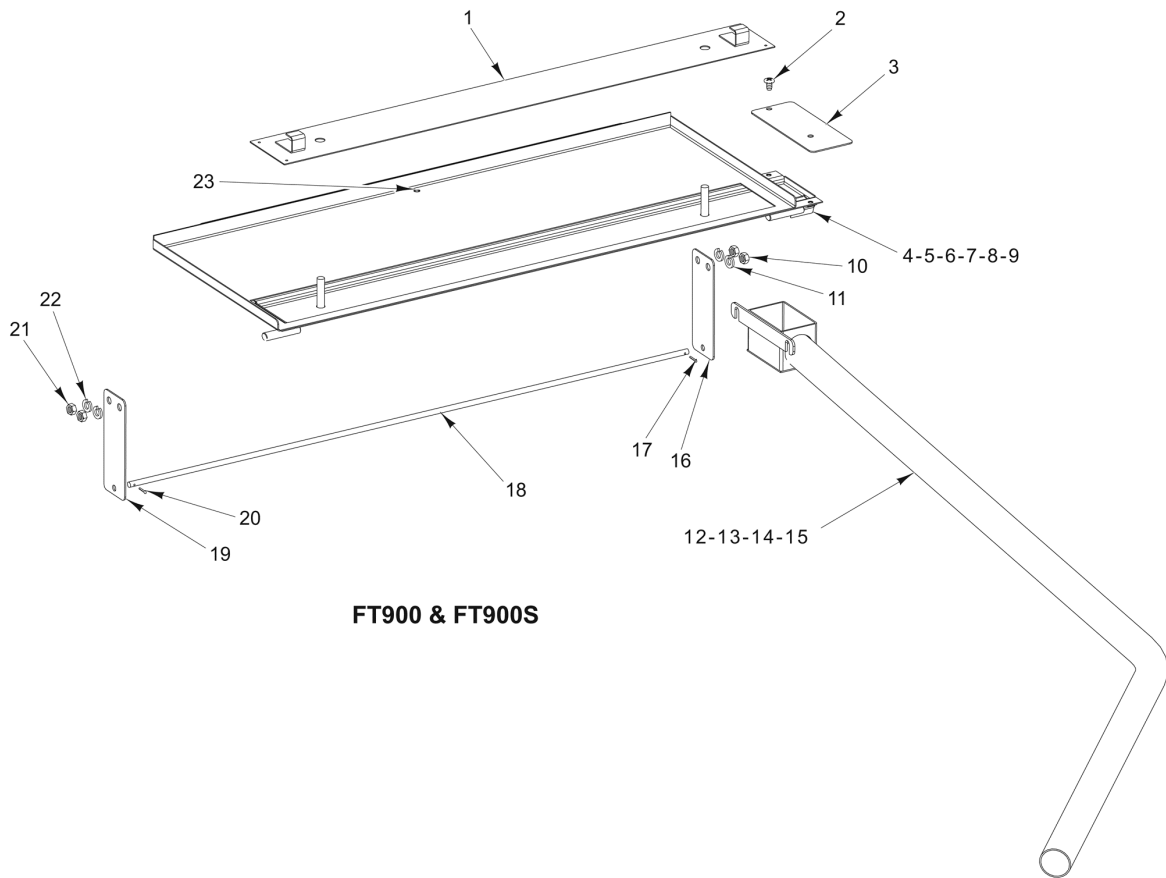


PL-58692

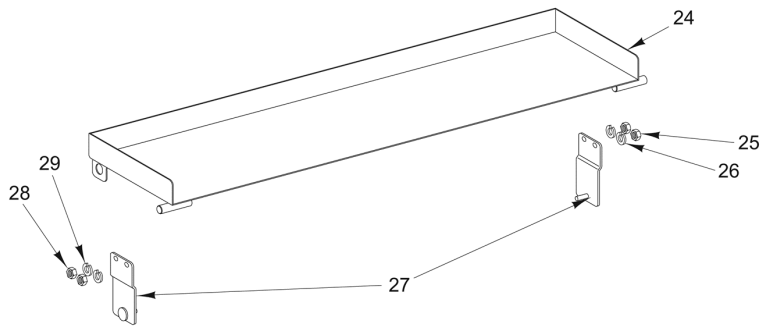
DRAINBACK PANS (FT900SD)

DRAINBACK PANS (FT900SD)

ILLUS.	PART NO.	NAME OF PART	AMT.
PL-58692			
1	00-476452-00002	Pan - Flow Back (7.059 In.).....	AR
2	00-892535	Bracket - Pan Flow Back.....	AR
3	00-476452-00002	Pan - Flow Back (7.059 In.).....	AR
4	00-892535	Bracket - Pan Flow Back.....	AR



FT900 & FT900S



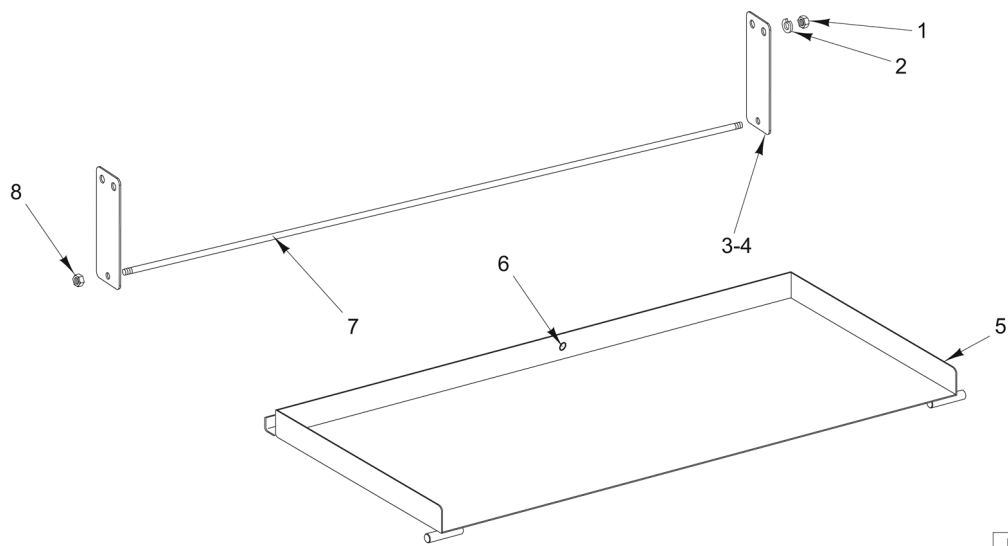
FT900S

PL-58711

FINAL RINSE MAKEUP UNIT AND PAN (PREVIOUS)

FINAL RINSE MAKEUP UNIT AND PAN (PREVIOUS)

ILLUS.	PART NO.	NAME OF PART	AMT.
PL-58711			
1	00-476544	Strainer (Makeup) (Perforated).....	1
2	SC-053-02	Mach. Screw 10-24 x 1/2 Slotted Truss Hd. (SST).....	2
3	00-476539	Cover - Makeup Pan.....	1
4	00-476487-00001	Pan - Final Rinse (FT900, R-L).....	1
5	00-476487-00002	Pan - Final Rinse (FT900, L-R).....	1
6	00-748894-00001	Pan - Final Rinse (FT900W, R-L) (Dual Rinse) (FT900 Opti-Rinse).....	1
7	00-748894-00002	Pan - Final Rinse (FT900W, L-R) (Dual Rinse) (FT900 Opti-Rinse).....	1
8	00-476606-00001	Pan - Final Rinse (FT900S, R-L).....	1
9	00-476606-00002	Pan - Final Rinse (FT900S, L-R).....	1
10	NS-015-11	Nut 5/16-18 Hex (SST).....	2
11	WL-006-23	Lockwasher 5/16 Helical (SST).....	2
12	00-476460-00001	Pipe - Makeup (FT900 & FT900S, R-L).....	1
13	00-476460-00002	Pipe - Makeup (FT900 & FT900S, L-R).....	1
14	00-748617-00001	Pipe - Makeup (FT900W, R-L).....	1
15	00-748617-00002	Pipe - Makeup (FT900W, L-R).....	1
16	00-474797	Bracket - Pan Makeup.....	1
17	PC-005-02	Cotter Pin 1/16 x 1/2 (SST) (FT900, FT900S, & FT900W).....	1
18	00-475236	Rod - Retaining Flow Back (FT900, FT900S, & FT900W).....	1
19	00-474797	Bracket - Pan Makeup.....	1
20	PC-005-02	Cotter Pin 1/16 x 1/2 (SST) (FT900, FT900S, & FT900W).....	2
21	NS-015-11	Nut 5/16-18 Hex (SST).....	2
22	WL-006-23	Lockwasher 5/16 Helical (SST).....	2
23	SC-053-42	Mach. Screw 1/4-20 x 5/8 Slotted Truss Hd. (SST) (FT900, FT900S, & FT900W).....	1
24	00-476453-00007	Pan - Flow Back (12.059 In.) (FT900S).....	1
25	NS-015-11	Nut 5/16-18 Hex (SST).....	2
26	WL-006-23	Lockwasher 5/16 Helical (SST).....	2
27	00-935875	Bracket - Final Rinse Pan (FT900S).....	1
28	NS-015-11	Nut 5/16-18 Hex (SST).....	2
29	WL-006-23	Lockwasher 5/16 Helical (SST).....	2

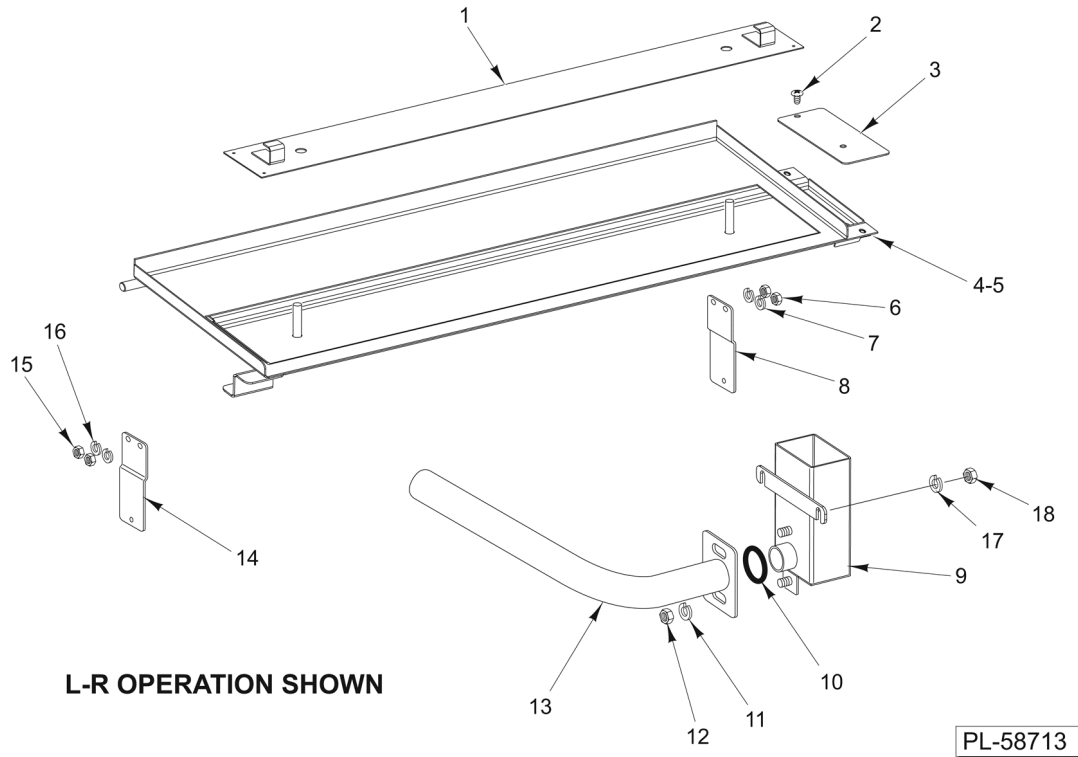


PL-60320

FINAL RINSE MAKEUP UNIT AND PAN (CURRENT)

FINAL RINSE MAKEUP UNIT AND PAN (CURRENT)

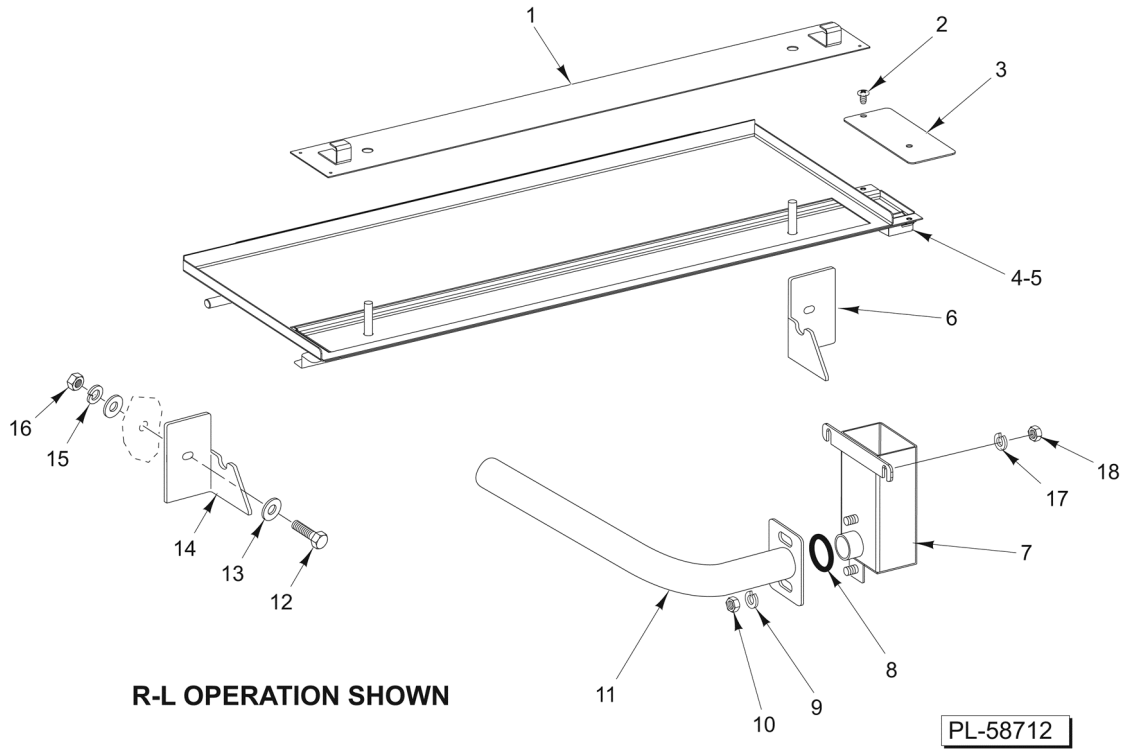
ILLUS.	PART NO.	NAME OF PART	AMT.
PL-60320			
1	NS-015-11	Nut 5/16-18 Hex (SST).....	4
2	WL-006-23	Lockwasher 5/16 Helical (SST).....	4
3	00-474797	Bracket - Pan Makeup.....	1
4	00-942112	Bracket - Pan (Used With Blower Dryer).....	1
5	00-942114	Pan - Final Rinse.....	1
6	SC-053-42	Mach. Screw 1/4-20 x 5/8 Slotted Truss Hd. (SST).....	1
7	00-942154	Rod.....	1
8	NS-031-21	Stop Nut 1/4-20 Hex (SST).....	2



**FINAL RINSE MAKEUP UNIT AND PAN
(WASH) (FT900D)**

**FINAL RINSE MAKEUP UNIT AND PAN
(WASH) (FT900D)**

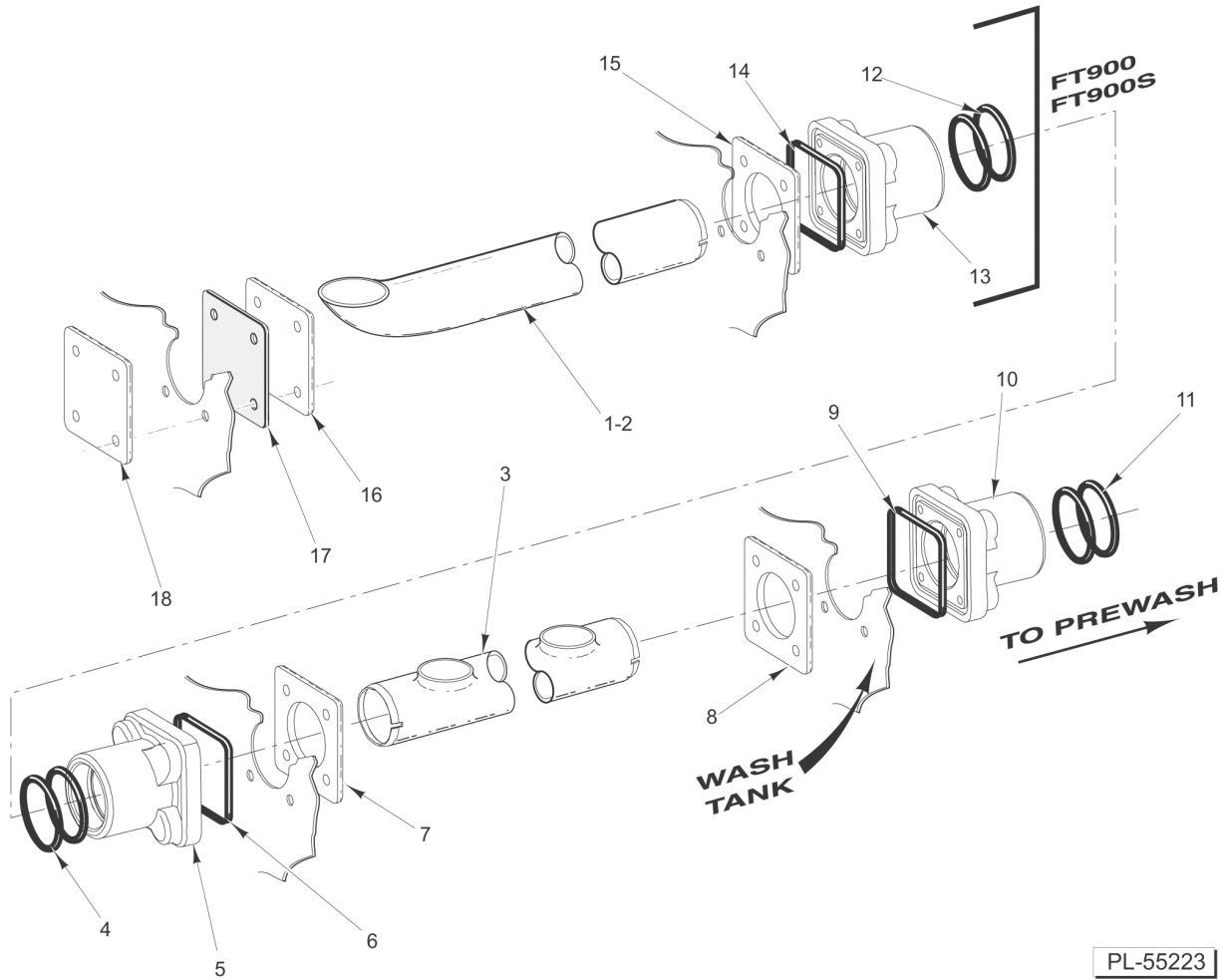
ILLUS.	PART NO.	NAME OF PART	AMT.
PL-58713			
1	00-476544	Strainer (Makeup) (Perforated).....	1
2	SC-053-02	Mach. Screw 10-24 x 1/2 Slotted Truss Hd. (SST).....	2
3	00-476539	Cover - Makeup Pan.....	1
4	00-918609-00001	Pan - Makeup (Wash) (L-R).....	AR
5	00-918609-00002	Pan - Makeup (Wash) (R-L).....	AR
6	NS-015-11	Nut 5/16-18 Hex (SST).....	2
7	WL-006-23	Lockwasher 5/16 Helical (SST).....	2
8	00-918678	Bracket - Makeup Pan.....	1
9	00-918681	Collector - Makeup.....	1
10	00-067500-00127	O-Ring - AS568 Size 124 (1.237 x .103).....	1
11	WL-006-23	Lockwasher 5/16 Helical (SST).....	2
12	NS-015-11	Nut 5/16-18 Hex (SST).....	2
13	00-918605	Pipe - Makeup.....	1
14	00-918678	Bracket - Makeup Pan.....	1
15	NS-015-11	Nut 5/16-18 Hex (SST).....	2
16	WL-006-23	Lockwasher 5/16 Helical (SST).....	2
17	WL-006-23	Lockwasher 5/16 Helical (SST).....	2
18	NS-015-11	Nut 5/16-18 Hex (SST).....	2



**FINAL RINSE MAKEUP UNIT AND PAN
(RINSE)
(FT900D AND FT900SD)**

**FINAL RINSE MAKEUP UNIT AND PAN
(RINSE)
(FT900D AND FT900SD)**

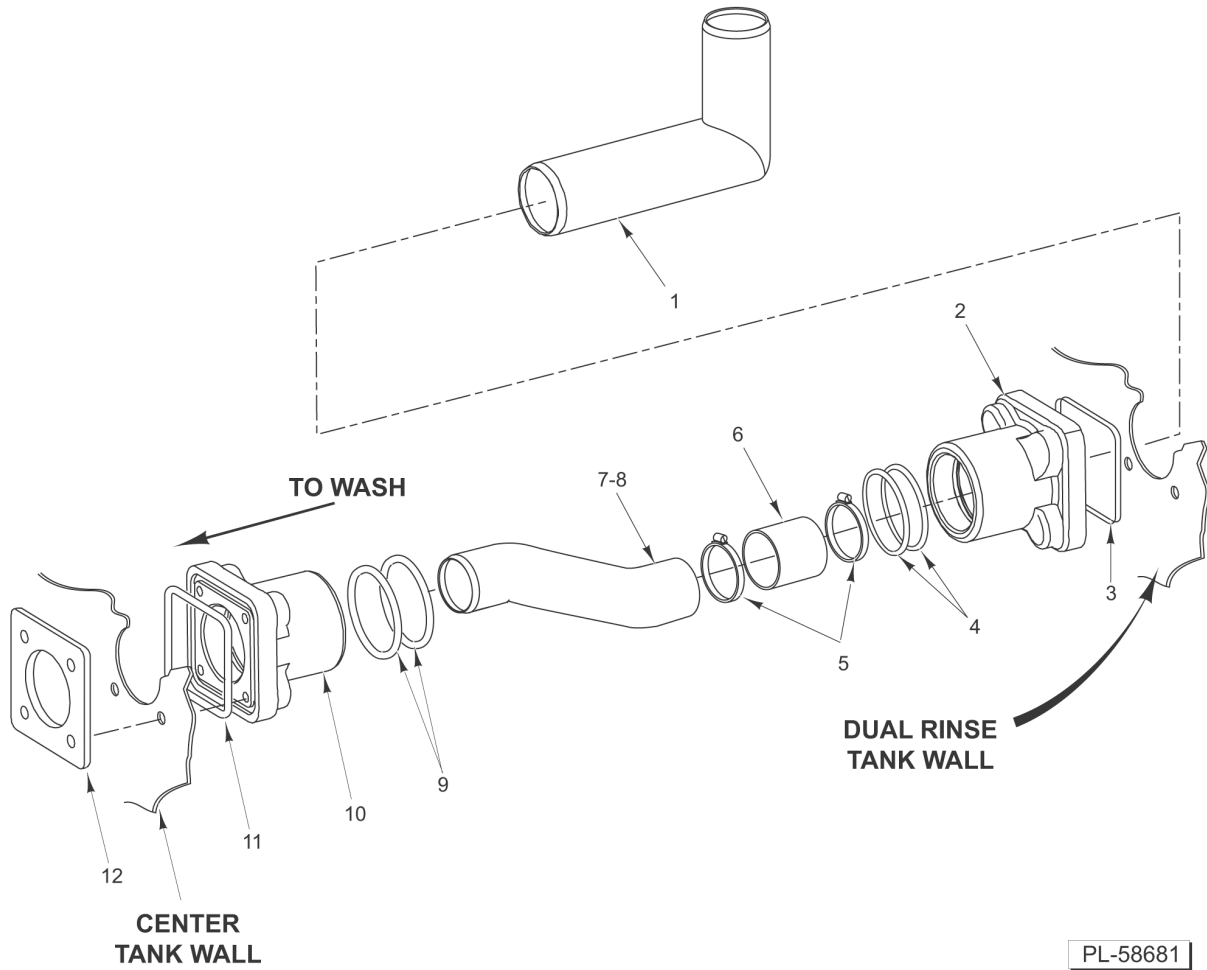
ILLUS. PL-58712	PART NO.	NAME OF PART	AMT.
1	00-476544	Strainer (Makeup) (Perforated).....	1
2	SC-053-02	Mach. Screw 10-24 x 1/2 Slotted Truss Hd. (SST).....	2
3	00-476539	Cover - Makeup Pan.....	1
4	00-918611-00001	Pan - Makeup (Dual Rinse) (FT900D & FT900SD, R-L).....	AR
5	00-918611-00002	Pan - Makeup (Dual Rinse) (FT900D & FT900SD, L-R).....	AR
6	00-918612-00002	Bracket - Makeup Pan (R-L Front; L-R Rear).....	1
7	00-918681	Collector - Makeup.....	1
8	00-067500-00127	O-Ring - AS568 Size 124 (1.237 x .103).....	1
9	WL-006-23	Lockwasher 5/16 Helical (SST).....	2
10	NS-015-11	Nut 5/16-18 Hex (SST).....	2
11	00-918605	Pipe - Makeup.....	1
12	SC-041-06	Cap Screw 1/4-20 x 1-1/4 Hex Hd. (SST).....	2
13	WS-003-47	Washer (SST).....	4
14	00-918612-00001	Bracket - Makeup Pan (L-R Front; R-L Rear).....	1
15	WL-006-17	Lockwasher 1/4 Helical (SST).....	2
16	NS-015-01	Nut 1/4-20 Hex (SST).....	2
17	WL-006-23	Lockwasher 5/16 Helical (SST).....	2
18	NS-015-11	Nut 5/16-18 Hex (SST).....	2



**FLOW BACK UNIT
(WASH/RINSE SECTION)**

**FLOW BACK UNIT
(WASH/RINSE SECTION)**

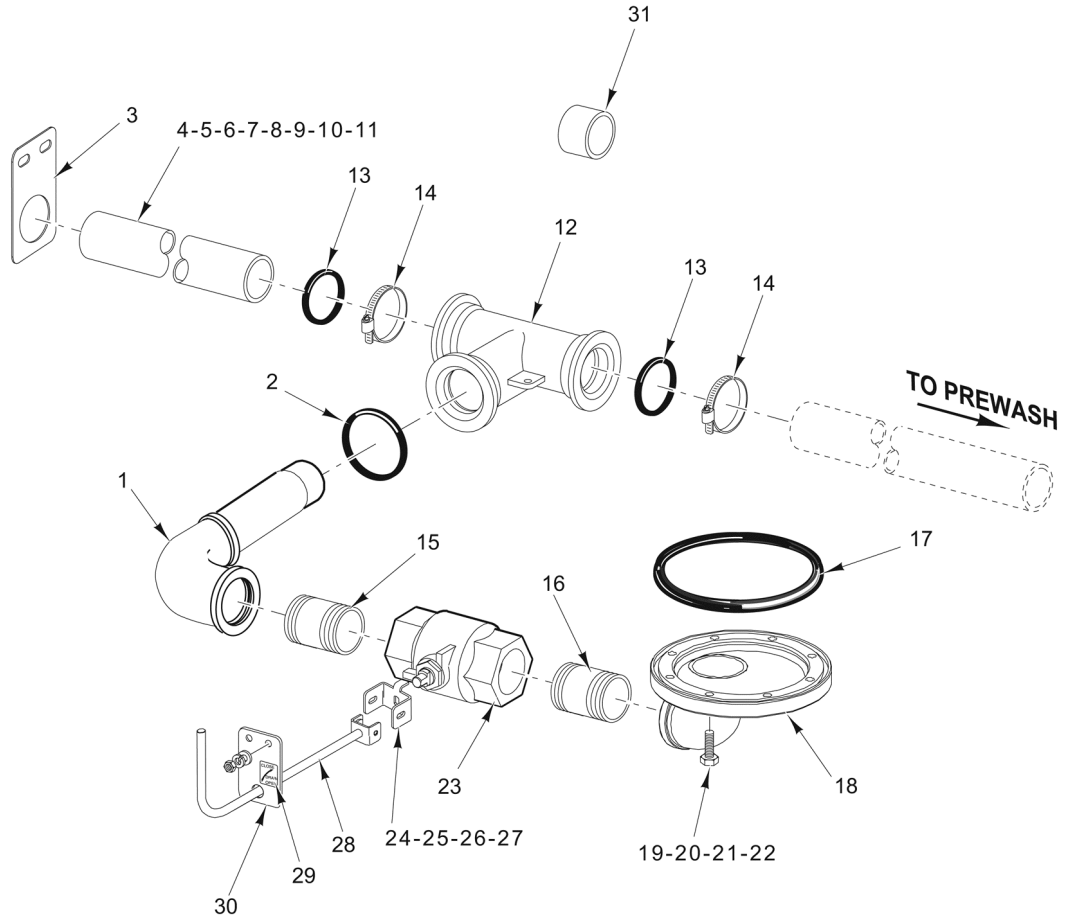
ILLUS.	PART NO.	NAME OF PART	AMT.
PL-55223			
1	00-476125	Pipe - Flow Back (Rinse/Wash) (1 Port) (Wash FT900S/Rinse FT900).....	1
2	00-748614	Pipe - Flow Back (Dual Rinse) (FT900W).....	1
3	00-476126	Pipe - Flow Back (Wash) (2 Ports) (FT900).....	1
4	00-067500-00134	O-Ring.....	2
5	00-476129	Coupling - Flow Back Pipe.....	1
6	00-067500-00132	O-Ring.....	1
7	00-476128-00001	Plate - Flow Back Mounting.....	1
8	00-476128-00001	Plate - Flow Back Mounting.....	1
9	00-067500-00132	O-Ring.....	1
10	00-476129	Coupling - Flow Back Pipe.....	1
11	00-067500-00134	O-Ring.....	2
12	00-067500-00134	O-Ring.....	2
13	00-476130	Coupling - Pass-Thru (Flow Back Pipe) (2.031 Dia. thru Hole).....	1
14	00-067500-00132	O-Ring.....	1
15	00-476128-00001	Plate - Flow Back Mounting.....	1
16	00-476128-00002	Plate - Flow Back Cover.....	1
17	00-476138	Gasket - Flow Back Plate.....	1
18	00-476128-00002	Plate - Flow Back Cover.....	1



**FLOW BACK UNIT
(DUAL RINSE)
(FT900D AND FT900SD)**

**FLOW BACK UNIT
(DUAL RINSE)
(FT900D AND FT900SD)**

ILLUS.	PART NO.	NAME OF PART	AMT.
PL-58681			
1	00-918195	Pipe - Flow Back.....	1
2	00-476130	Coupling - Pass-Thru (Flow Back Pipe) (2.031 Dia. thru Hole).....	1
3	00-067500-00132	O-Ring.....	1
4	00-067500-00134	O-Ring.....	2
5	00-542337	Clamp - Hose.....	2
6	00-893666	Hose - Coupling.....	1
7	00-893606	Pipe - Offset Flow Back (L-R).....	1
8	00-893606-00002	Pipe - Offset Flow Back (R-L).....	1
9	00-067500-00134	O-Ring.....	2
10	00-476130	Coupling - Pass-Thru (Flow Back Pipe) (2.031 Dia. thru Hole).....	1
11	00-067500-00132	O-Ring.....	1
12	00-476128-00001	Plate - Flow Back Mounting.....	1



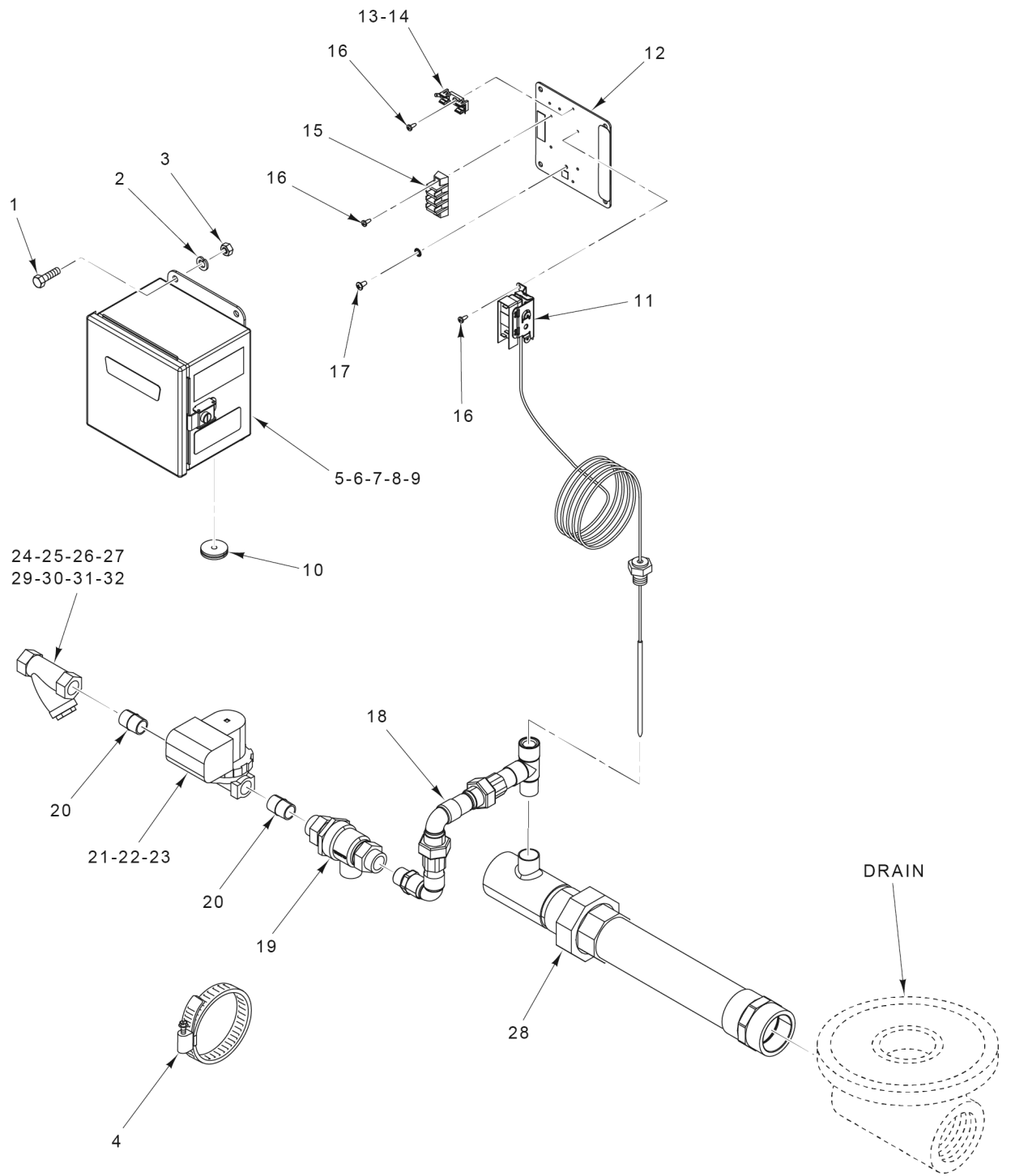
1 Unit Required - FT900S & FT900SD
2 Units Required - FT900, FT900D, & FT900W

PL-58067

**DRAIN UNIT
(WASH/RINSE SECTION)**

**DRAIN UNIT
(WASH/RINSE SECTION)**

ILLUS.	PART NO.	NAME OF PART	AMT.
PL-58067			
1	00-749552	Elbow - Drain Adapter.....	1
2	00-067500-00126	O-Ring - AS568 Size 133 (1.8 x .103).....	1
3	00-748181	Support - Drain Pipe.....	1
4	00-289467-00010	Pipe - Drain (44 In.).....	1
5	00-289467-00008	Pipe - Drain (13-1/2 In.).....	1
6	00-289467-00007	Pipe - Drain (33-1/4 In.).....	1
7	00-289467-00002	Pipe - Drain (38-1/4 In.).....	1
8	00-289467-00019	Pipe - Drain (57 In.).....	1
9	00-289467-00005	Pipe - Drain (39-1/2 In.).....	1
10	00-289467-00004	Pipe - Drain (20 In.).....	1
11	00-289467-00020	Pipe - Drain (30 In.).....	1
12	00-749650-00001	Tee - Drain Center.....	1
13	00-067500-00134	O-Ring.....	2
14	00-542337	Clamp - Hose.....	2
15	FP-054-58	Pipe 1-1/2 x 1-3/4 TBE (SST).....	2
16	FP-054-58	Pipe 1-1/2 x 1-3/4 TBE (SST).....	2
17	00-067500-00136	O-Ring.....	1
18	00-748012	Drain - Manual (No Overflow) (1 Opening).....	1
19	SC-041-11	Cap Screw 5/16-18 x 3/4 Hex Hd. (SST).....	8
20	WS-017-08	Washer (0.328 x 0.625 x 0.062) (SST).....	8
21	WL-006-23	Lockwasher 5/16 Helical (SST).....	8
22	NS-015-11	Nut 5/16-18 Hex (SST).....	8
23	00-287826-00001	Valve - Ball.....	1
24	00-748005	Bracket - Valve (Manual).....	1
25	SC-041-11	Cap Screw 5/16-18 x 3/4 Hex Hd. (SST).....	2
26	WS-017-01	Washer 0.328 x 0.875 x 0.062 (SST).....	2
27	WL-006-23	Lockwasher 5/16 Helical (SST).....	2
28	00-748006	Handle - Manual.....	1
29	00-748025	Label - Drain.....	1
30	00-748186	Support - Drain Handle.....	1
31	00-893666	Hose - Coupling.....	1



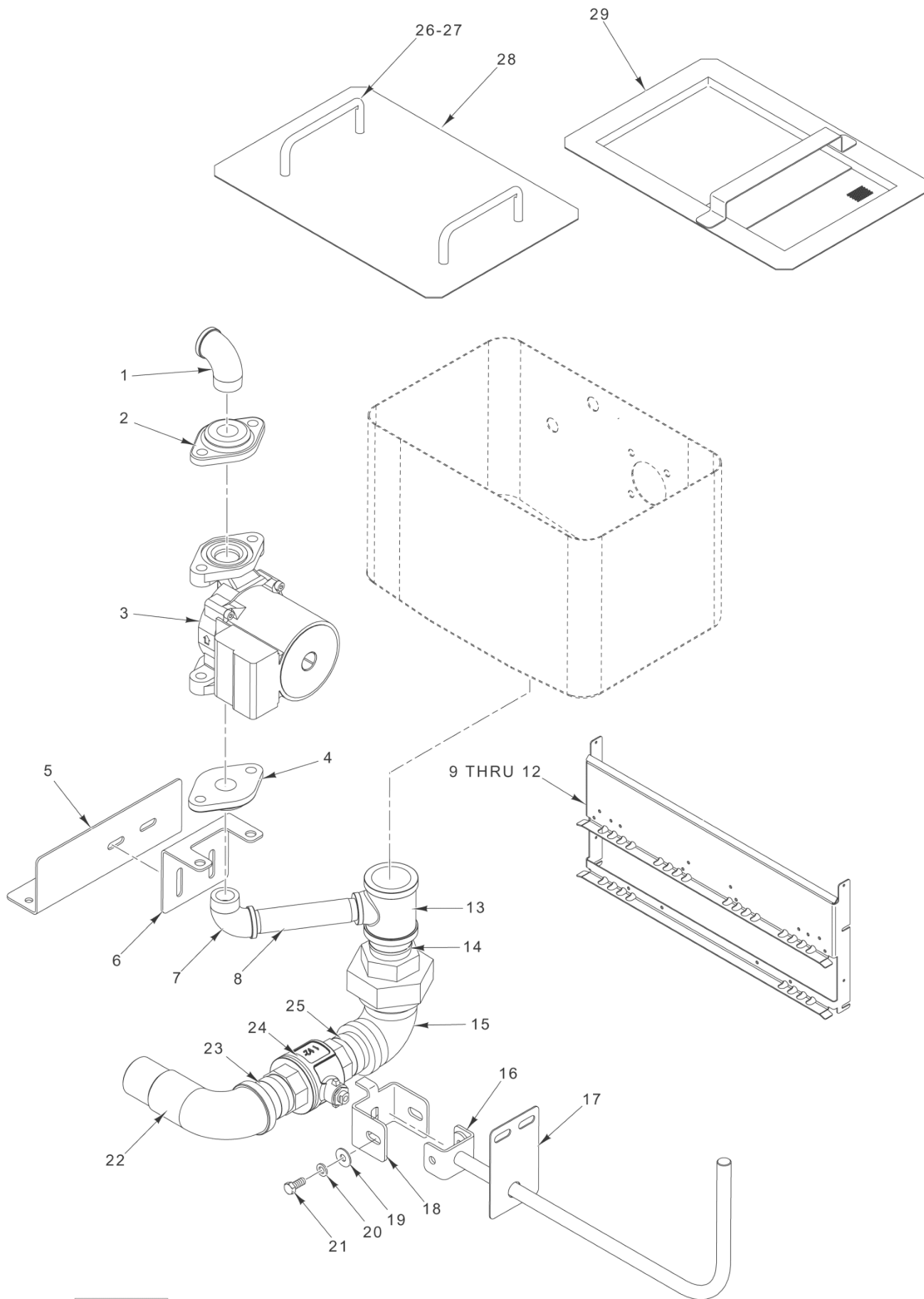
PL-60370

DRAIN WATER TEMPERING

DRAIN WATER TEMPERING

ILLUS.	PART NO.	NAME OF PART	AMT.
PL-60370			
1	SC-041-50	Cap Screw 1/4-20 x 1/2 Hex Hd. (SST).....	2
2	WL-003-36	Lockwasher 1/4 Light.....	2
3	NS-015-01	Nut 1/4-20 Hex (SST).....	2
4	00-542337	Clamp - Hose.....	2
5	00-814690	Box - Control.....	1
6	00-814673	Cable - Control.....	1
7	00-814666	Cable - Solenoid Valve.....	1
8	00-814665	Harness - Thermostat.....	1
9	00-814663-00003	Wire - Ground.....	1
10	00-274947	Grommet.....	1
11	00-294681-025-4	Thermostat - Drain (135 Deg.).....	1
12	00-814678	Plate - Base.....	1
13	00-294436-00003	Block - Fuse.....	1
14	FE-008-48	Fuse (250 V., 0.6 Amp.).....	1
15	00-919742-00003	Block - Terminal.....	1
16	SD-019-29	Self-Tapping Screw 6-20 x 1/2 Phil. Pan Hd., Type B.....	5
17	SD-008-25	Self-Tapping Screw 10-16 x 1/2 Phil. Pan Hd., Type B.....	1
18	00-814769-00001	Pipe Assy. (Cold Water).....	1
19	00-223472	Backflow Preventer.....	1
20	FP-040-42	Pipe 1/2 x 1-1/8 TBE (Brass).....	2
21	00-435968-00001	Valve - Solenoid (1/2 In.) (110-120 V.) (Incls. Item 22).....	1
22	00-271839-00001	Coil - Solenoid Valve.....	1
23	00-271837	Service Kit - Solenoid Valve.....	1
*24	00-270258	Strainer - Line (1/2) (Brass) (Kitz) (Incls. Items 25, 26, & 27) (Alternate to Item 29)	1
25	00-270259	Plug - Branch.....	1
26	00-270260	Screen - Strainer (1/2 In.).....	1
27	00-270261	Gasket.....	1
28	00-814768	Drain Pipe Assy.....	1
*29	00-892921	Strainer - Line (1/2) (Brass) (Conbraco) (Incls. Items 30, 31, & 32) (Alternate to Item 24).....	1
30	00-892922-00001	Cap.....	1
31	00-892922-00002	Gasket.....	1
32	00-892922-00003	Screen.....	1

* Kitz line strainer is approx. 0.43 inches longer than Conbraco.

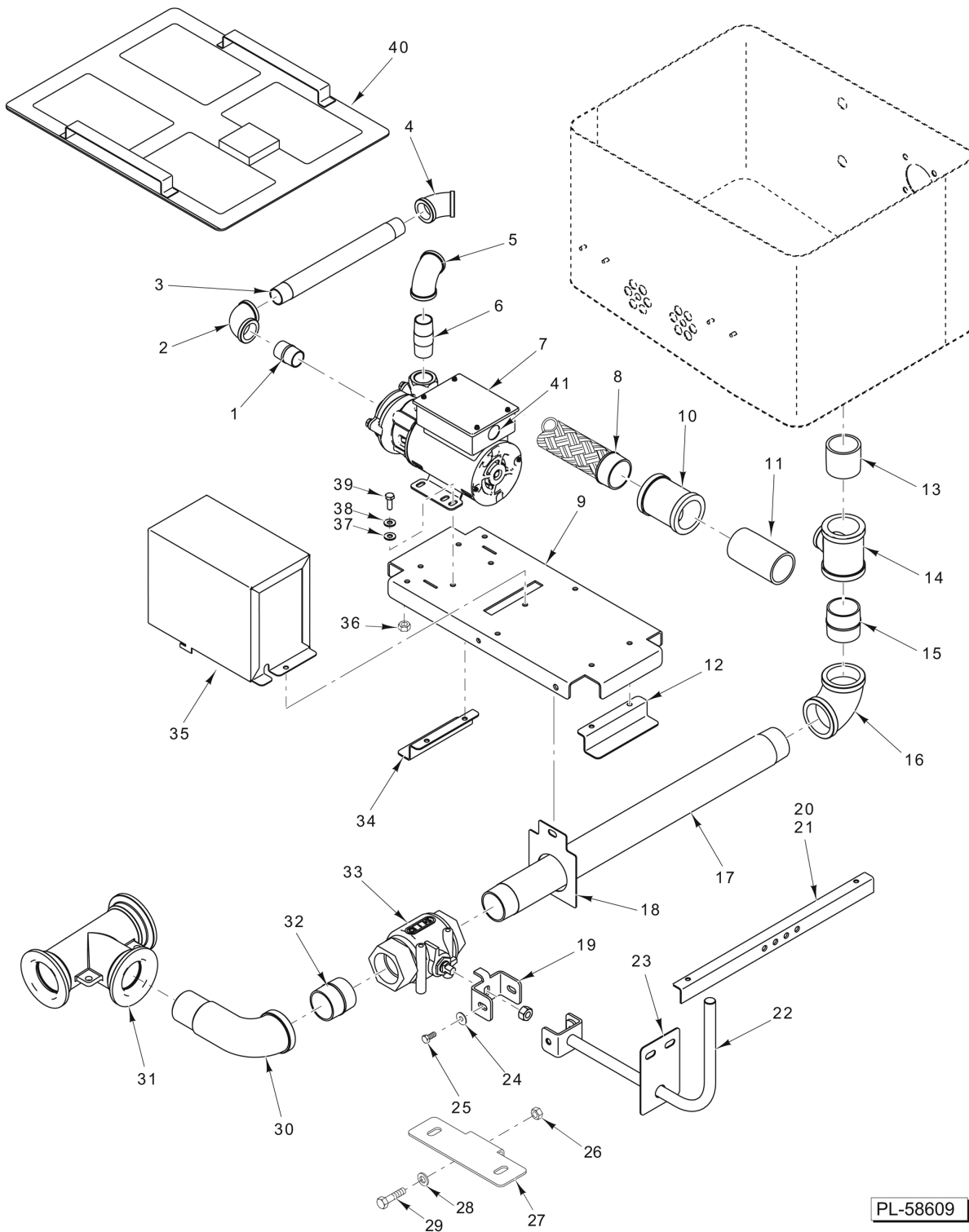


PL-55270

**DRAIN, PUMP, AND TRACK
(AUXILIARY TANK) (FT900W)**

**DRAIN, PUMP, AND TRACK
(AUXILIARY TANK) (FT900W)**

ILLUS.	PART NO.	NAME OF PART	AMT.
PL-55270			
1	FP-015-24	Elbow - Pipe 3/4 x 90 Deg. (Brass).....	1
2	00-328911	Flange - Gasket.....	1
3	00-328910	Pump Assy.....	1
4	00-328911	Flange - Gasket.....	1
5	00-748740	Bracket - Lower Pump Support.....	1
6	00-748739	Bracket - Upper Pump Support.....	1
7	FP-015-24	Elbow - Pipe 3/4 x 90 Deg. (Brass).....	1
8	FP-041-93	Pipe - 3/4 x 90 Deg.....	1
9	00-748612-00002	Track (L-R Front).....	1
10	00-748612-00003	Track (R-L Front).....	1
11	00-748612-00004	Track (R-L Rear).....	1
12	00-748612-00005	Track (L-R Rear).....	1
13	FP-019-89	Tee - Pipe 1-1/2 x 1-1/2 x 3/4 (Brass).....	1
14	FP-054-85	Pipe 1-1/2 x 2 TBE (SST).....	1
15	00-748741	Elbow - Union 1-1/2.....	1
16	00-748006	Handle - Manual.....	1
17	00-748186	Support - Drain Handle.....	1
18	00-748005	Bracket - Valve (Manual).....	1
19	WS-017-01	Washer 0.328 x 0.875 x 0.062 (SST).....	2
20	WL-006-23	Lockwasher 5/16 Helical (SST).....	2
21	SC-041-12	Cap Screw 5/16-18 x 7/8 Hex Hd. (SST).....	2
22	00-749552	Elbow - Drain Adapter.....	1
23	FP-054-58	Pipe 1-1/2 x 1-3/4 TBE (SST).....	1
24	00-287826-00001	Valve - Ball.....	1
25	FP-054-58	Pipe 1-1/2 x 1-3/4 TBE (SST).....	1
26	00-222559	Handle.....	1
27	SC-066-06	Mach. Screw 10-24 x 1/2 Phil. Truss Hd. (SST).....	4
28	00-476165-00002	Lid Assy. - Chamber (25 In.).....	1
29	00-749037	Strainer Pan Weldment.....	1



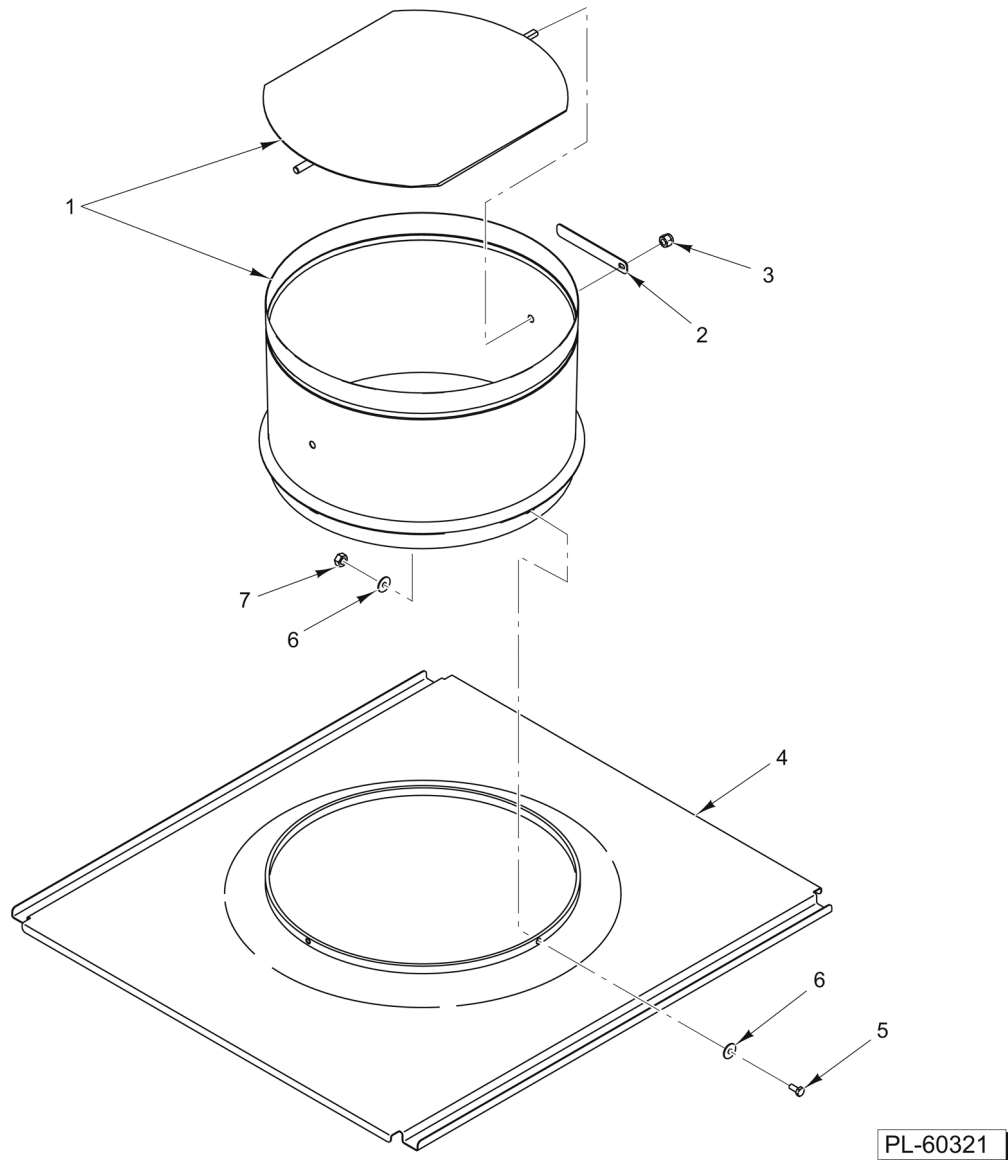
**DRAIN AND PUMP
(DUAL RINSE)
(FT900D AND FT900SD) (PREVIOUS)**

**DRAIN AND PUMP
(DUAL RINSE)
(FT900D AND FT900SD) (PREVIOUS)**

ILLUS. PL-58609	PART NO.	NAME OF PART	AMT.
1	FP-041-50	Pipe 3/4 x 1-3/8 TBE (Brass).....	1
2	FP-015-23	Elbow 3/4 x 90 Deg. (Brass).....	1
3	FP-042-20	Pipe 3/4 x 9-1/2 TBE (Brass).....	1
4	FP-015-22	Elbow Pipe 3/4 x 45 Deg. (Brass).....	1
5	FP-015-23	Elbow 3/4 x 90 Deg. (Brass).....	1
6	FP-041-57	Pipe 3/4 x 2-1/4 TBE (Brass).....	1
7	00-918238-00006	Pump & Motor Assy. (230-460 V., 60 Hz., 3 Ph.).....	1
8	00-749153-00006	Hose - Braided (3/4 In.) (SST).....	1
9	00-918351	Plate - Pump Mounting.....	1
10	FP-023-25	Coupling - Pipe 3/4 x 90 Deg. (Brass).....	1
11	FP-041-50	Pipe 3/4 x 1-3/8 TBE (Brass).....	1
12	00-918352	Bracket - Pump Mounting Plate.....	1
13	00-893597	Pipe - Drain Tank.....	1
14	FP-019-89	Tee - Pipe 1-1/2 x 1-1/2 x 3/4 (Brass).....	1
15	FP-054-58	Pipe 1-1/2 x 1-3/4 TBE (SST).....	1
16	FP-015-32	Elbow - Pipe 1-1/2 x 90 Deg. (Brass).....	1
17	FP-090-16	Pipe 1-1/2 x 22 TBE (SST).....	1
18	00-893667	Plate - Drain Pipe Support.....	1
19	00-748005	Bracket - Valve (Manual).....	1
20	00-893671-00001	Spreader - Tank Front Unload (5 Ft.).....	AR
21	00-893671-00003	Spreader - Tank Front Unload (7 Ft. & Longer).....	AR
22	00-748006	Handle - Manual.....	1
23	00-748186	Support - Drain Handle.....	1
24	WS-017-01	Washer 0.328 x 0.875 x 0.062 (SST).....	2
25	SC-041-11	Cap Screw 5/16-18 x 3/4 Hex Hd. (SST).....	2
26	NS-025-04	Crown Nut 1/4-20 (SST).....	2
27	00-893673	Bracket - Spreader Support.....	1
28	WS-017-06	Washer (SST).....	2
29	SC-041-05	Cap Screw 1/4-20 x 5/8 Hex Hd. (SST).....	2
30	00-749552	Elbow - Drain Adapter.....	1
31	00-749650-00001	Tee - Drain Center.....	1
32	FP-054-58	Pipe 1-1/2 x 1-3/4 TBE (SST).....	1
33	00-287826-00001	Valve - Ball.....	1
34	00-918352	Bracket - Pump Mounting Plate.....	1
35	00-918356	Cover - Pump.....	1
36	NS-031-21	Stop Nut 1/4-20 Hex (SST).....	4
37	WL-007-16	Lockwasher 1/4 External Shakeproof.....	1
38	WS-017-06	Washer (SST).....	4
39	SC-041-01	Cap Screw 1/4-20 x 3/4 Hex Hd. (SST).....	4
40	00-918206	Strainer - Pan Weldment.....	1
41	00-918568-00019	Cable - Dual Rinse Motor (8 MTR).....	1

**DRAIN AND PUMP
(DUAL RINSE)
(FT900D AND FT900SD) (CURRENT)**

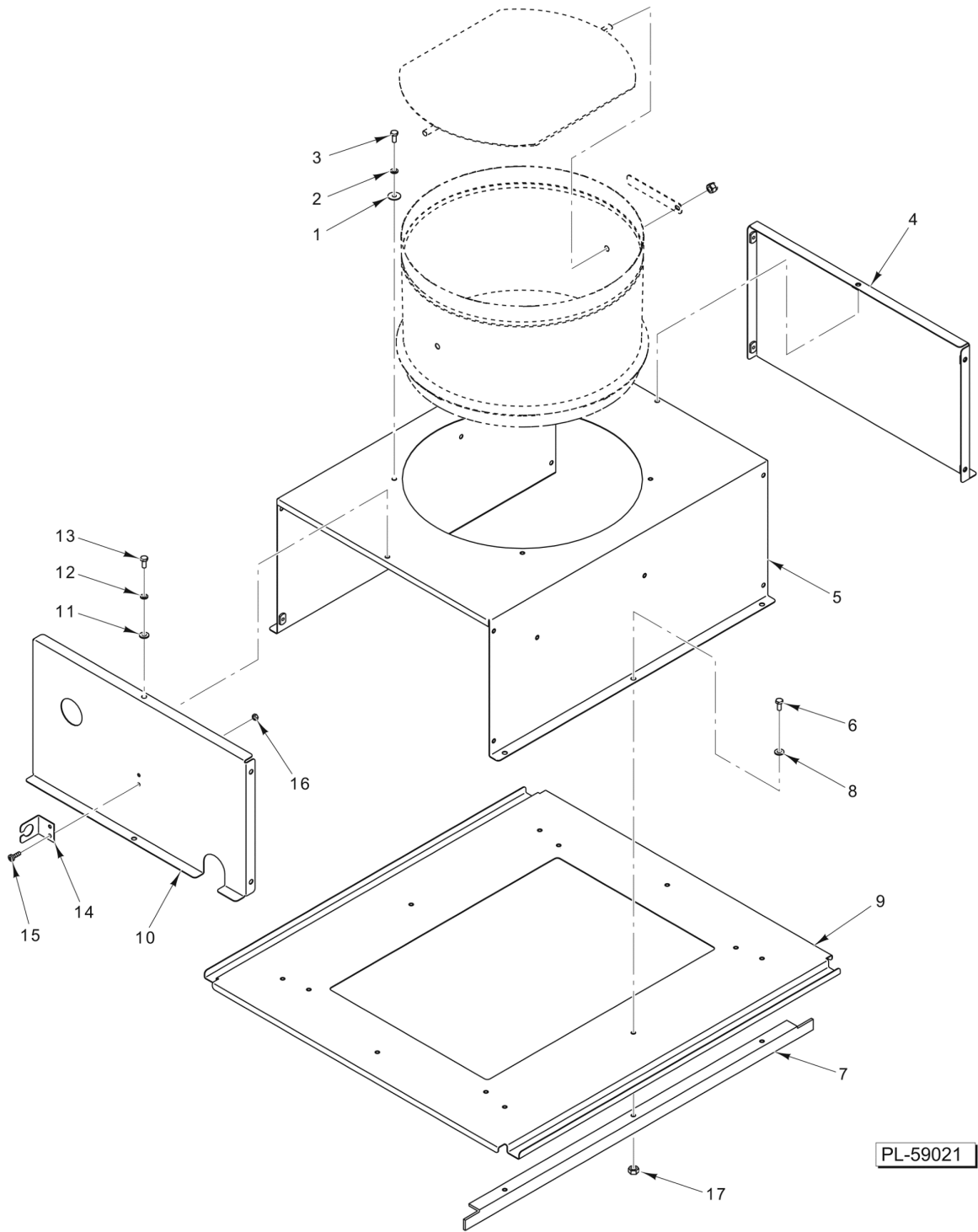
ILLUS. PL-60314	PART NO.	NAME OF PART	AMT.
1	00-918206	Strainer - Pan Weldment.....	1
2	00-942128	Cover - Front (Pump).....	1
3	00-942129	Cover - Pump.....	1
4	00-749153-00010	Hose - Braided 3/4 x 37 In. Lg. (SST) (Discharge).....	1
5	FP-015-22	Elbow Pipe 3/4 x 45 Deg. (Brass).....	1
6	FP-041-57	Pipe 3/4 x 2-1/4 TBE (Brass).....	1
7	00-918238-00006	Pump & Motor Assy. (230-460 V., 60 Hz., 3 Ph.).....	1
8	SC-041-01	Cap Screw 1/4-20 x 3/4 Hex Hd. (SST).....	4
9	WS-017-06	Washer (SST).....	4
10	WL-007-16	Lockwasher 1/4 External Shakeproof.....	1
11	FP-041-50	Pipe 3/4 x 1-3/8 TBE (Brass).....	1
12	FP-015-23	Elbow 3/4 x 90 Deg. (Brass).....	1
13	00-749153-00009	Hose - Braided 3/4 x 12 In. Lg. (SST) (Suction).....	1
14	FP-015-23	Elbow 3/4 x 90 Deg. (Brass).....	1
15	FP-042-06	Pipe 3/4 x 7-1/2 (Brass).....	1
16	FP-015-23	Elbow 3/4 x 90 Deg. (Brass).....	1
17	FP-043-77	Pipe 3/4 x 4 TBE (Brass).....	1
18	FP-019-89	Tee - Pipe 1-1/2 x 1-1/2 x 3/4 (Brass).....	1
19	FP-054-58	Pipe 1-1/2 x 1-3/4 TBE (SST).....	1
20	FP-015-32	Elbow - Pipe 1-1/2 x 90 Deg. (Brass).....	1
21	00-893667	Plate - Drain Pipe Support.....	1
22	FP-091-28	Pipe 1-1/2 x 5-1/2 TBE (SST).....	1
23	00-748005	Bracket - Valve (Manual).....	1
24	NS-015-15	Nut 7/16-14 Hex (SST).....	AR
25	00-942155-00001	Support - Spreader (R-L).....	1
26	00-942155-00002	Support - Spreader (L-R).....	1
27	00-748186	Support - Drain Handle.....	1
28	00-748006	Handle - Manual.....	1
29	WS-017-01	Washer 0.328 x 0.875 x 0.062 (SST).....	2
30	SC-041-11	Cap Screw 5/16-18 x 3/4 Hex Hd. (SST).....	2
31	00-287826-00001	Valve - Ball.....	1
32	FP-054-58	Pipe 1-1/2 x 1-3/4 TBE (SST).....	1
33	00-749552	Elbow - Drain Adapter.....	1
34	00-749650-00001	Tee - Drain Center.....	1



DAMPER ASSEMBLY

DAMPER ASSEMBLY

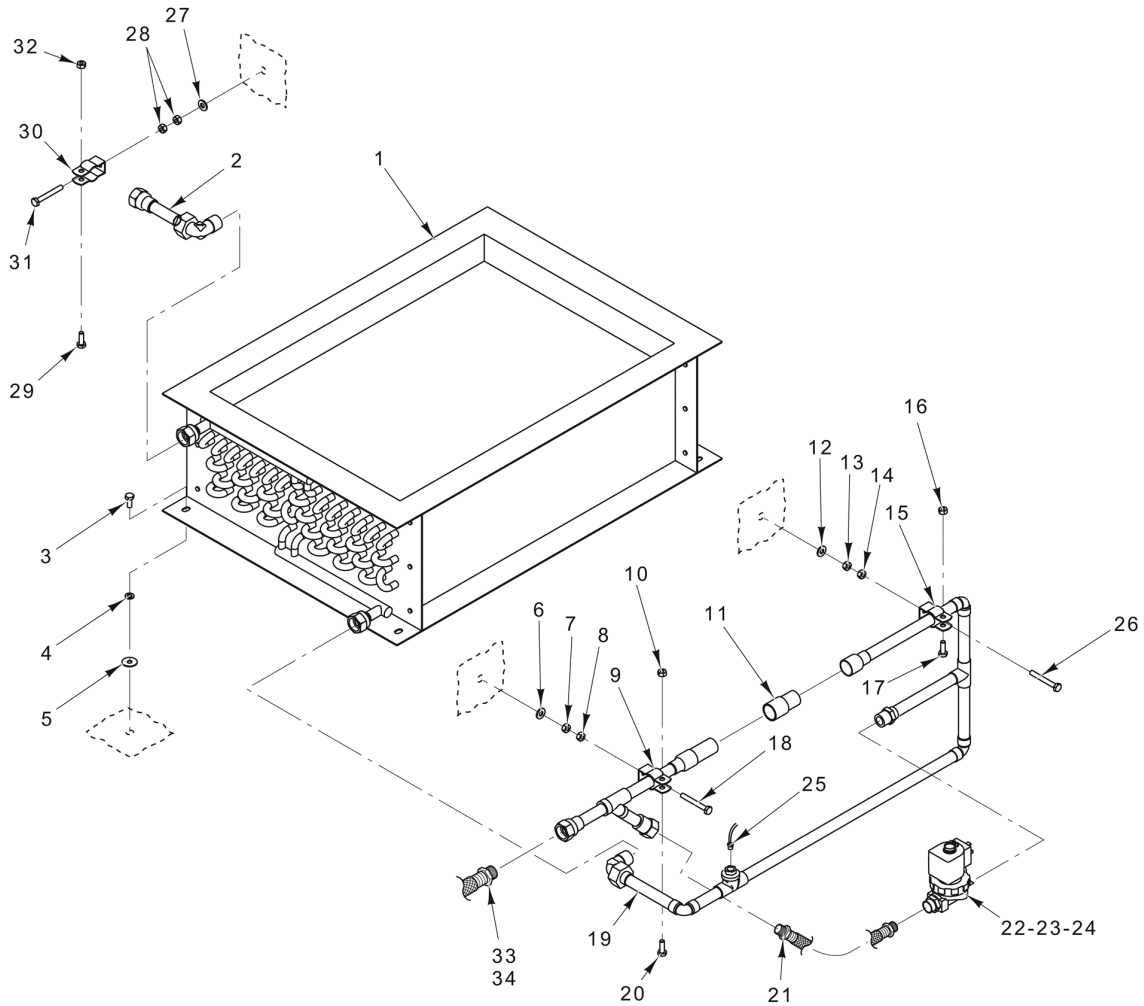
ILLUS.	PART NO.	NAME OF PART	AMT.
PL-60321			
1	00-749445	Damper Assy. (Incls. Items 2 & 3).....	1
2	00-748738	Lever - Damper.....	1
3	NS-036-12	Stop Nut 3/8-24 Hex (SST).....	1
4	00-476163	Lid - Chamber Vent (Used Without Energy Recovery).....	1
5	SC-041-05	Cap Screw 1/4-20 x 5/8 Hex Hd. (SST).....	4
6	WS-017-06	Washer (SST).....	8
7	NS-031-21	Stop Nut 1/4-20 Hex (SST).....	4



**COIL ENCLOSURE
(ENERGY RECOVERY)**

**COIL ENCLOSURE
(ENERGY RECOVERY)**

ILLUS.	PART NO.	NAME OF PART	AMT.
PL-59021			
1	WS-003-47	Washer (SST).....	4
2	WL-006-17	Lockwasher 1/4 Helical (SST).....	4
3	SC-041-05	Cap Screw 1/4-20 x 5/8 Hex Hd. (SST).....	4
4	00-936699-00001	Panel - Front Enclosure End.....	1
5	00-936698	Panel - Side & Top Enclosure.....	1
6	SC-041-05	Cap Screw 1/4-20 x 5/8 Hex Hd. (SST).....	6
7	00-941411	Brace.....	2
8	WS-017-06	Washer (SST).....	6
9	00-936484	Panel - Top.....	1
10	00-936699-00002	Panel - Rear Enclosure End.....	1
11	WS-017-06	Washer (SST).....	12
12	WL-006-17	Lockwasher 1/4 Helical (SST).....	12
13	SC-041-05	Cap Screw 1/4-20 x 5/8 Hex Hd. (SST).....	12
14	00-918732	Bracket - Strain Relief.....	1
15	SC-066-06	Mach. Screw 10-24 x 1/2 Phil. Truss Hd. (SST).....	2
16	NS-031-15	Stop Nut 10-24 Hex (SST).....	2
17	NS-031-21	Stop Nut 1/4-20 Hex (SST).....	6

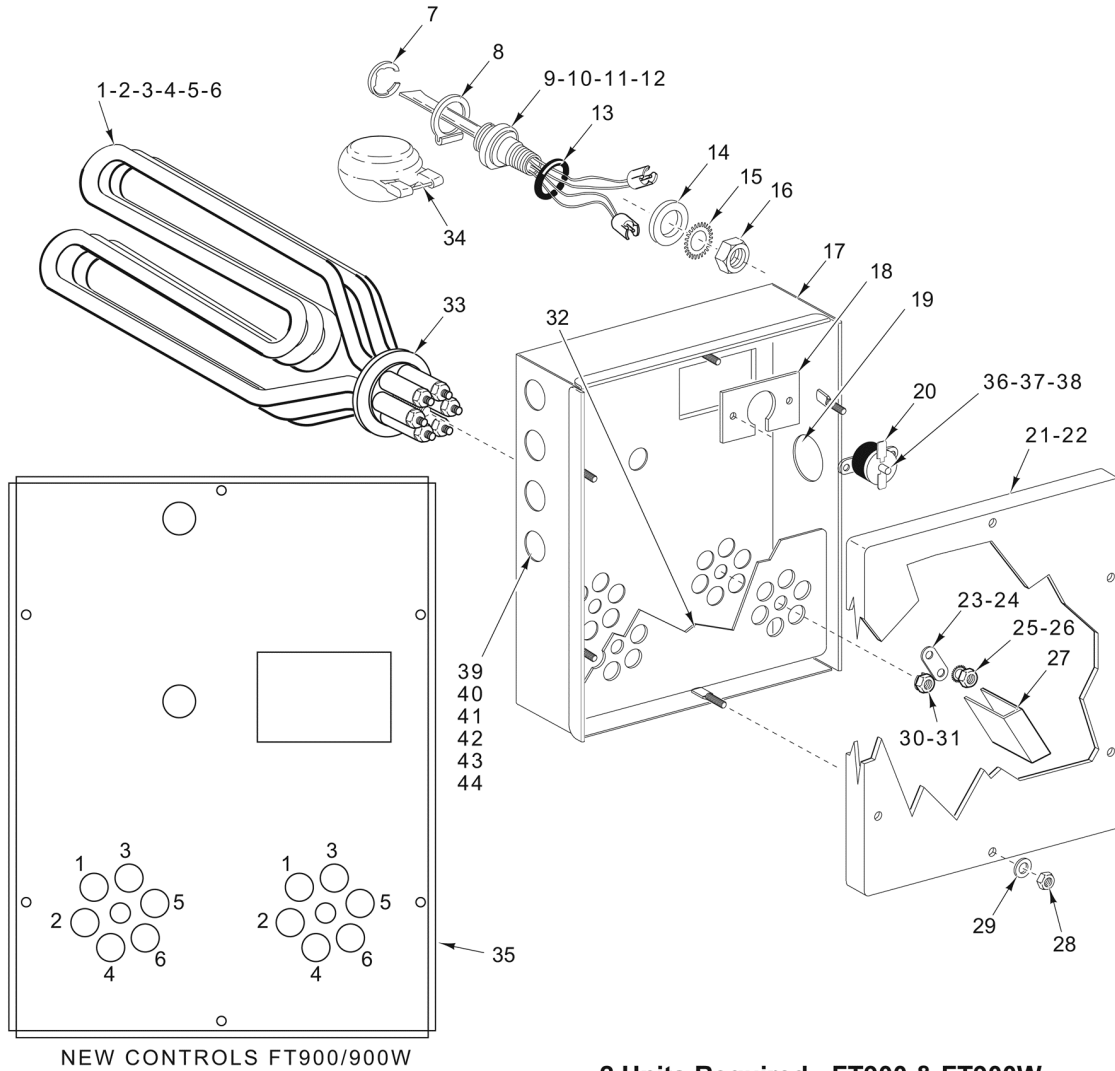


PL-59020

**COIL AND PIPING
(ENERGY RECOVERY)**

**COIL AND PIPING
(ENERGY RECOVERY)**

ILLUS.	PART NO.	NAME OF PART	AMT.
PL-59020			
1	00-941659	Coil - Energy Recovery.....	1
2	00-936607	Piping Assy. - Inlet Coil.....	1
3	SC-041-05	Cap Screw 1/4-20 x 5/8 Hex Hd. (SST).....	1
4	WL-006-17	Lockwasher 1/4 Helical (SST).....	1
5	WS-003-47	Washer (SST).....	1
6	WS-017-06	Washer (SST).....	1
7	NS-031-21	Stop Nut 1/4-20 Hex (SST).....	1
8	NS-031-21	Stop Nut 1/4-20 Hex (SST).....	1
9	00-947844-00001	Hanger.....	1
10	NS-031-21	Stop Nut 1/4-20 Hex (SST).....	1
11	00-748976-00010	Restrictor - Flow.....	1
12	WS-017-06	Washer (SST).....	1
13	NS-031-21	Stop Nut 1/4-20 Hex (SST).....	1
14	NS-031-21	Stop Nut 1/4-20 Hex (SST).....	1
15	00-947844-00001	Hanger.....	1
16	NS-031-21	Stop Nut 1/4-20 Hex (SST).....	1
17	SC-041-01	Cap Screw 1/4-20 x 3/4 Hex Hd. (SST).....	1
18	SC-041-07	Cap Screw 1/4-20 x 1-1/2 Hex Hd. (SST).....	1
19	00-936604	Piping Assy. - Coil Outlet (Incls. Items 11 & 21 thru 24).....	1
20	SC-041-01	Cap Screw 1/4-20 x 3/4 Hex Hd. (SST).....	1
21	00-918390-00002	Hose - Braided Water 1/2 x 8-1/4 In. (SST).....	1
22	00-893100-00001	Solenoid Valve (1/2) (120 V.).....	1
23	00-893101	Service Kit - 1/2 Solenoid Valve.....	1
24	00-892132	Coil - Solenoid Valve (120 V.).....	1
25	00-328994	Probe Assy. - Rinse.....	1
26	SC-041-07	Cap Screw 1/4-20 x 1-1/2 Hex Hd. (SST).....	1
27	WS-017-06	Washer (SST).....	1
28	NS-031-21	Stop Nut 1/4-20 Hex (SST).....	2
29	SC-041-01	Cap Screw 1/4-20 x 3/4 Hex Hd. (SST).....	1
30	00-947844-00001	Hanger.....	1
31	SC-041-07	Cap Screw 1/4-20 x 1-1/2 Hex Hd. (SST).....	1
32	NS-031-21	Stop Nut 1/4-20 Hex (SST).....	1
33	00-893444-00003	Hose - Water (Braided) (96 In.) (SST).....	1
34	00-893444-00005	Hose - Water (Braided) (120 In.) (SST).....	1



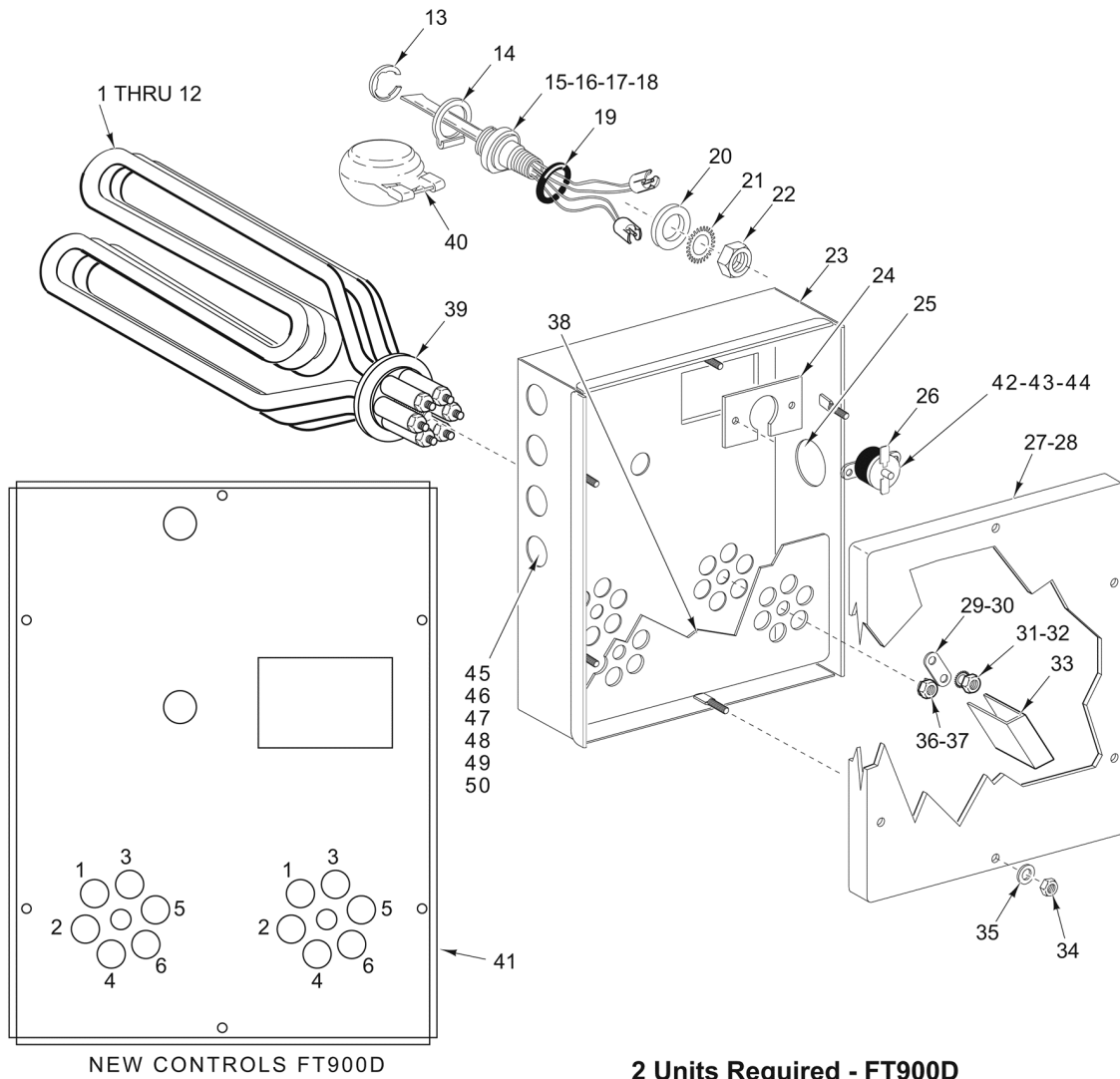
2 Units Required - FT900 & FT900W

PL-58051

**ELECTRIC HEATER
(ONE TANK)
(FT900 AND FT900W)**

**ELECTRIC HEATER
(ONE TANK)
(FT900 AND FT900W)**

ILLUS. PL-58051	PART NO.	NAME OF PART	AMT.
1	00-185700-00004	Heater - 13 kW Electric (208 V.) (Wash/Rinse Tank).....	2
2	00-185700-00005	Heater - 13 kW Electric (240 V.) (Wash/Rinse Tank).....	2
3	00-185700-00006	Heater - 13 kW Electric (480 V.) (Wash/Rinse Tank).....	2
4	00-185700-00008	Heater - 13 kW Electric (600 V.) (Wash/Rinse Tank).....	2
5	00-185700-00010	Heater - 10 kW Electric (380 V.).....	2
6	00-185700-00012	Heater - 13 kW Electric (415 V.) (Wash/Rinse Tank).....	2
7	RR-010-13	Retaining Ring.....	AR
8	00-112467	Retainer - Float.....	AR
9	00-186091	Probe & Float Assy. (4 Wire) (Long) (Temp. & Water Level) (Incls. Items 7, 8, & 34) (Previous Construction).....	AR
10	00-936547-00002	Switch & Probe Assy. (4-Wire) (Short) (Incls. Items 7, 8, & 34) (Current Construction)	1
11	00-328495	Probe & Float Assy. (2 Wire) (Long) (Incls. Items 7, 8, & 34) (Previous Construction)	AR
12	00-936547-00001	Probe & Switch Assy. (2-Wire) (Short) (Incls. Items 7, 8, & 34) (Current Construction)	1
13	00-067500-00072	O-Ring (Electric Heat).....	AR
14	WS-010-40	Washer - Thrust.....	AR
15	WL-014-31	Lockwasher 1/2 External Shakeproof (SST).....	AR
16	NS-018-28	Jam Nut 1/2-20 Hex (SST).....	AR
17	00-475903	Box - Electric Heat (Previous Construction).....	1
18	00-475967	Bracket - High Limit.....	1
19	NS-031-15	Stop Nut 10-24 Hex (SST).....	2
20	00-294615-00001	Control - Temperature.....	1
21	00-475908	Gasket - Electric Heat Box Lid.....	1
22	00-475909	Lid Assy. - Electric Heat Box (Incls. Item 21).....	1
23	00-288543-00001	Jumper - Long (Previous Construction) (Old Controls).....	AR
24	00-288543-00002	Jumper - Short (Previous Construction) (Old Controls).....	AR
25	WL-014-07	Lockwasher #10 External Shakeproof (SST).....	AR
26	NS-009-30	Nut 10-32 Hex.....	AR
27	00-950696	Insulator - Terminal (Above 250 V.) (Old Controls).....	AR
28	NS-031-15	Stop Nut 10-24 Hex (SST).....	6
29	WS-019-06	Washer.....	6
30	NS-015-13	Nut 3/8-16 Hex (SST).....	2
31	WL-006-27	Lockwasher 3/8 Helical (SST).....	2
32	00-748195	Plate - Electric Heat.....	1
33	00-067500-00034	O-Ring (Electric Heat).....	2
34	00-122674	Float Assy.....	AR
35	00-918918	Box - Electric Heat (New Controls).....	1
36	00-476745-00011	Cable Assy. (LH Tank Thermostat) (R-L & L-R) (Old Controls).....	1
37	00-476745-00012	Cable Assy. (RH Tank Thermostat) (R-L) (Old Controls).....	1
38	00-476745-00019	Cable Assy. (RH Tank High Limit) (L-R) (Old Controls).....	1
39	FE-024-59	Connector Straight (Non-Metallic) Sealtite (1 Male).....	AR
40	FE-024-63	Connector 45 Deg. (Non-Metallic) Sealtite (1 Male).....	AR
41	00-919764-00001	Harness - Tank Heater Assy. (Tank 2) (L-R) (New Controls).....	1
42	00-919764-00002	Harness - Tank Heater Assy. (Tank 2) (R-L) (New Controls).....	1
43	00-919764-00003	Harness - Tank Heater Assy. (Tank 1) (L-R) (New Controls).....	1
44	00-919764-00004	Harness - Tank Heater Assy. (Tank 1) (R-L) (New Controls).....	1

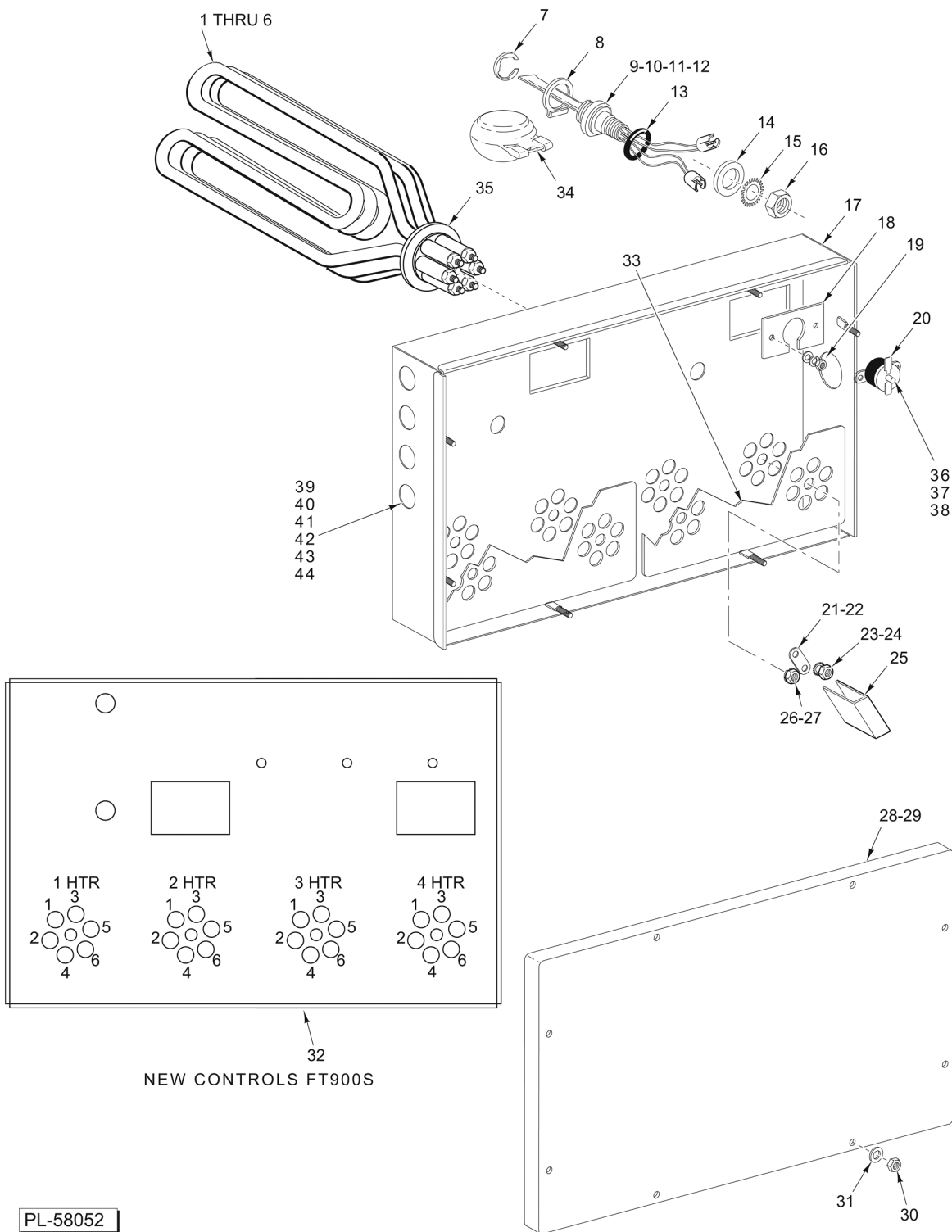


PL-58674

**ELECTRIC HEATER
(ONE TANK) (FT900D)**

**ELECTRIC HEATER
(ONE TANK) (FT900D)**

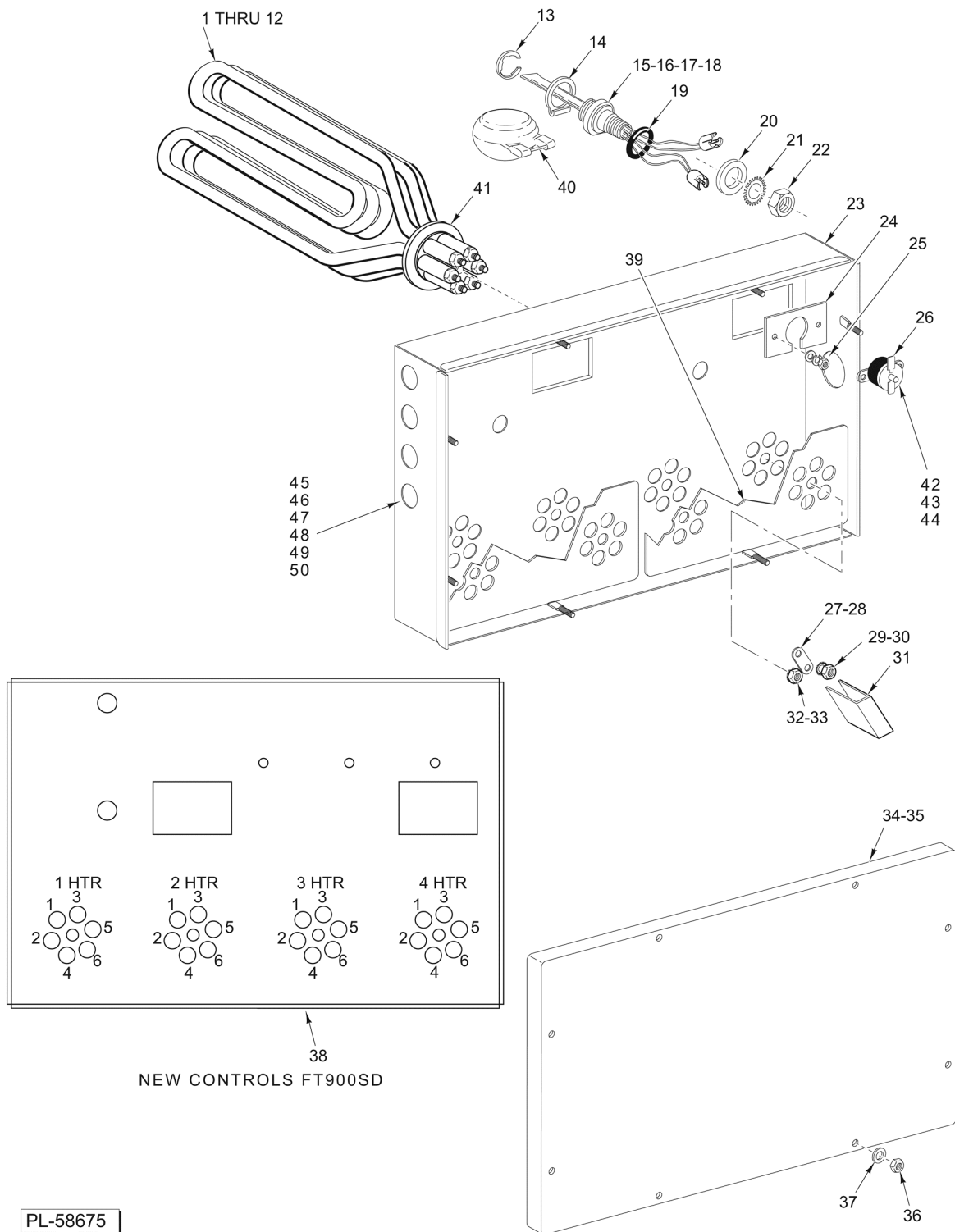
ILLUS.	PART NO.	NAME OF PART	AMT.
PL-58674			
1	00-919786-002-1	Heater - 13 kW Electric (208 V.) (Wash Tank).....	2
2	00-919786-002-2	Heater - 13 kW Electric (240 V.) (Wash Tank).....	2
3	00-919786-002-3	Heater - 13 kW Electric (380 V.) (Wash Tank).....	2
4	00-919786-002-4	Heater - 13 kW Electric (415 V.) (Wash Tank).....	2
5	00-919786-002-5	Heater - 13 kW Electric (480 V.) (Wash Tank).....	2
6	00-919786-002-6	Heater - 13 kW Electric (600 V.) (Wash Tank).....	2
7	00-919786-001-1	Heater - 18 kW Electric (208 V.) (Rinse Tank).....	2
8	00-919786-001-2	Heater - 18 kW Electric (240 V.) (Rinse Tank).....	2
9	00-919786-001-3	Heater - 18 kW Electric (380 V.) (Rinse Tank).....	2
10	00-919786-001-4	Heater - 18 kW Electric (415 V.) (Rinse Tank).....	2
11	00-919786-001-5	Heater - 18 kW Electric (480 V.) (Rinse Tank).....	2
12	00-919786-001-6	Heater - 18 kW Electric (600 V.) (Rinse Tank).....	2
13	RR-010-13	Retaining Ring.....	AR
14	00-112467	Retainer - Float.....	AR
15	00-186091	Probe & Float Assy. (4 Wire) (Long) (Temp. & Water Level) (Incls. Items 13, 14, & 40) (Previous Construction).....	AR
16	00-936547-00002	Switch & Probe Assy. (4-Wire) (Short) (Incls. Items 13, 14, & 40) (Current Construction).....	1
17	00-328495	Probe & Float Assy. (2 Wire) (Long) (Incls. Items 13, 14, & 40) (Previous Construction)	AR
18	00-936547-00001	Probe & Switch Assy. (2-Wire) (Short) (Incls. Items 13, 14, & 40) (Current Construction).....	1
19	00-067500-00072	O-Ring.....	AR
20	WS-010-40	Washer - Thrust.....	AR
21	WL-014-31	Lockwasher 1/2 External Shakeproof (SST).....	AR
22	NS-018-28	Jam Nut 1/2-20 Hex (SST).....	AR
23	00-475903	Box - Electric Heat (Previous Construction).....	1
24	00-475967	Bracket - High Limit.....	1
25	NS-031-15	Stop Nut 10-24 Hex (SST).....	2
26	00-294615-00001	Control - Temperature (Over Temp.).....	1
27	00-475908	Gasket - Electric Heat Box Lid.....	1
28	00-475909	Lid Assy. - Electric Heat Box (Incls. Item 27).....	1
29	00-288543-00001	Jumper - Long (Old Controls).....	AR
30	00-288543-00002	Jumper - Short (Old Controls).....	AR
31	WL-014-07	Lockwasher #10 External Shakeproof (SST).....	AR
32	NS-009-30	Nut 10-32 Hex.....	AR
33	00-950696	Insulator - Terminal (Above 250 V.) (Old Controls).....	AR
34	NS-031-15	Stop Nut 10-24 Hex (SST).....	6
35	WS-019-06	Washer.....	6
36	NS-015-13	Nut 3/8-16 Hex (SST).....	2
37	WL-006-27	Lockwasher 3/8 Helical (SST).....	2
38	00-748195	Plate - Electric Heat.....	1
39	00-067500-00034	O-Ring (Electric Heat).....	2
40	00-122674	Float Assy.....	AR
41	00-918918	Box - Electric Heat (New Controls).....	1
42	00-476745-00011	Cable Assy. (LH Tank Thermostat) (R-L & L-R) (Old Controls).....	1
43	00-476745-00012	Cable Assy. (RH Tank Thermostat) (R-L) (Old Controls).....	1
44	00-476745-00019	Cable Assy. (RH Tank High Limit) (L-R) (Old Controls).....	1
45	FE-024-59	Connector Straight (Non-Metallic) Sealtite (1 Male) (Old Controls).....	AR
46	FE-024-63	Connector 45 Deg. (Non-Metallic) Sealtite (1 Male) (Old Controls).....	AR
47	00-919764-00001	Harness - Tank Heater Assy. (Tank 2) (L-R) (New Controls).....	1
48	00-919764-00002	Harness - Tank Heater Assy. (Tank 2) (R-L) (New Controls).....	1
49	00-919764-00003	Harness - Tank Heater Assy. (Tank 1) (L-R) (New Controls).....	1
50	00-919764-00004	Harness - Tank Heater Assy. (Tank 1) (R-L) (New Controls).....	1



**ELECTRIC HEATER
(ONE TANK) (FT900S)**

**ELECTRIC HEATER
(ONE TANK) (FT900S)**

ILLUS.	PART NO.	NAME OF PART	AMT.
PL-58052			
1	00-185700-00001	Heater - 10 kW Electric (208 V.) (Wash Tank).....	4
2	00-185700-00002	Heater - 10 kW Electric (240 V.) (Wash Tank).....	4
3	00-185700-00003	Heater - 10 kW Electric (480 V.) (Wash Tank).....	4
4	00-185700-00007	Heater - 10 kW Electric (600 V.) (Wash Tank).....	4
5	00-185700-00009	Heater - 10 kW Electric (380 V.) (Wash Tank).....	4
6	00-185700-00011	Heater - 10 kW Electric (415 V.) (Wash Tank).....	4
7	RR-010-13	Retaining Ring.....	3
8	00-112467	Retainer - Float.....	3
9	00-186091	Probe & Float Assy. (4 Wire) (Long) (Temp. & Water Level) (Incls. Items 7, 8, & 34) (Previous Construction).....	1
10	00-936547-00002	Switch & Probe Assy. (4-Wire) (Short) (Incls. Items 7, 8, & 34) (Current Construction)	1
11	00-328495	Probe & Float Assy. (2 Wire) (Long) (Incls. Items 7, 8, & 34) (Previous Construction)	1
12	00-936547-00001	Probe & Switch Assy. (2-Wire) (Short) (Incls. Items 7, 8, & 34) (Current Construction)	1
13	00-067500-00072	O-Ring.....	3
14	WS-010-40	Washer - Thrust.....	3
15	WL-014-31	Lockwasher 1/2 External Shakeproof (SST).....	3
16	NS-018-28	Jam Nut 1/2-20 Hex (SST).....	3
17	00-476988	Box - Electric Heat (Previous Construction).....	1
18	00-475967	Bracket - High Limit.....	2
19	NS-031-15	Stop Nut 10-24 Hex (SST).....	4
20	00-294615-00001	Control - Temperature.....	2
21	00-288543-00001	Jumper - Long.....	AR
22	00-288543-00002	Jumper - Short.....	AR
23	WL-014-07	Lockwasher #10 External Shakeproof (SST).....	AR
24	NS-009-30	Nut 10-32 Hex.....	AR
25	00-950696	Insulator - Terminal (Above 250 V.).....	AR
26	NS-015-13	Nut 3/8-16 Hex (SST).....	2
27	WL-006-27	Lockwasher 3/8 Helical (SST).....	2
28	00-748102	Lid Assy. - Electric Heat Box (Incls. Item 29).....	1
29	00-748101	Gasket - Electric Heat Box Lid.....	1
30	NS-031-15	Stop Nut 10-24 Hex (SST).....	8
31	WS-019-06	Washer.....	8
32	00-918925	Box - Electric Heat Probe (New Controls).....	1
33	00-748195	Plate - Electric Heat.....	2
34	00-122674	Float Assy.....	3
35	00-067500-00034	O-Ring.....	2
36	00-476745-00011	Cable Assy. (LH Tank Thermostat) (R-L & L-R) (Old Controls).....	1
37	00-476745-00012	Cable Assy. (RH Tank Thermostat) (R-L) (Old Controls).....	1
38	00-476745-00019	Cable Assy. (RH Tank High Limit) (L-R) (Old Controls).....	1
39	FE-024-59	Connector Straight (Non-Metallic) Sealite (1 Male).....	AR
40	FE-024-63	Connector 45 Deg. (Non-Metallic) Sealite (1 Male).....	AR
41	00-919764-00003	Harness - Tank Heater Assy. (Tank 1) (L-R) (New Controls).....	1
42	00-919764-00004	Harness - Tank Heater Assy. (Tank 1) (R-L) (New Controls).....	1
43	00-919764-00005	Harness - Tank Heater Assy. (Tank 1) (L-R) (New Controls).....	1
44	00-919764-00006	Harness - Tank Heater Assy. (Tank 1) (R-L) (New Controls).....	1

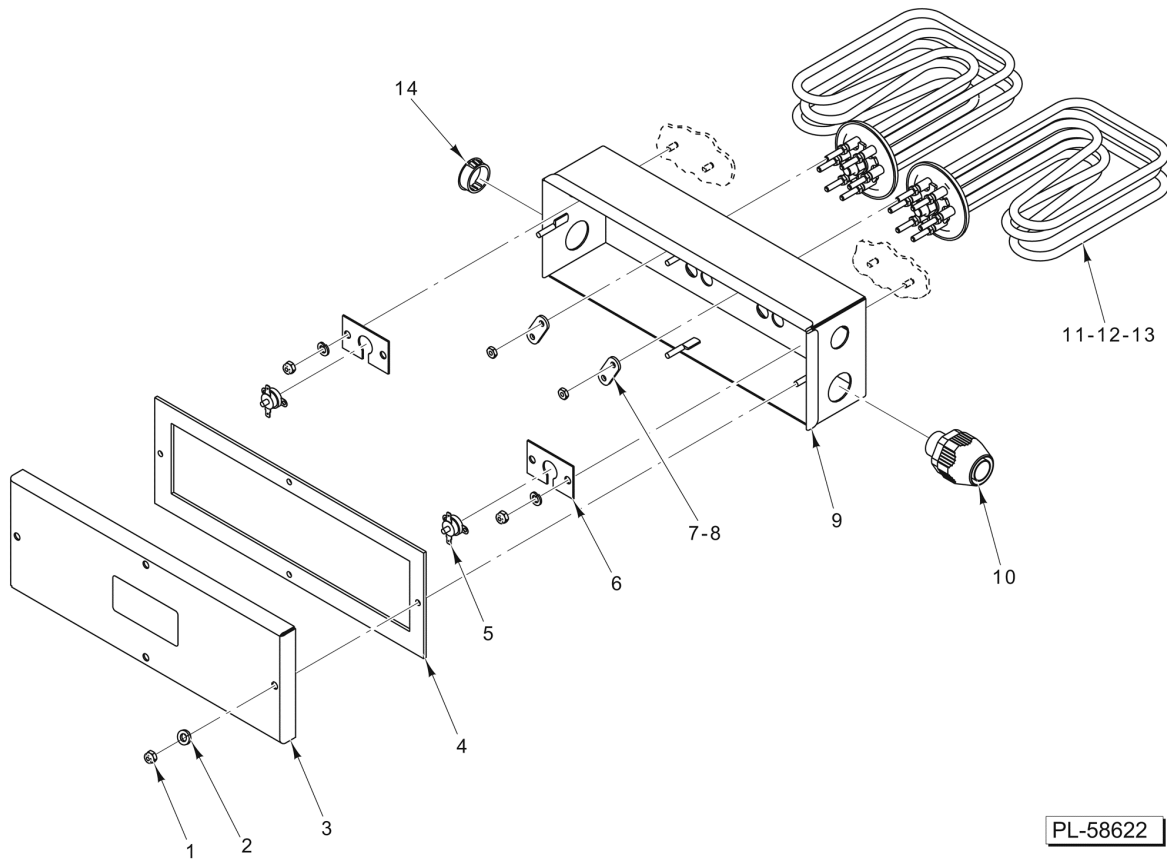


PL-58675

**ELECTRIC HEATER
(ONE TANK) (FT900SD)**

**ELECTRIC HEATER
(ONE TANK) (FT900SD)**

ILLUS.	PART NO.	NAME OF PART	AMT.
PL-58675			
1	00-185700-00001	Heater - 10 kW Electric (208 V.) (2HTR & 3HTR) (Wash Tank).....	2
2	00-185700-00002	Heater - 10 kW Electric (240 V.) (2HTR & 3HTR) (Wash Tank).....	2
3	00-185700-00003	Heater - 10 kW Electric (480 V.) (2HTR & 3HTR) (Wash Tank).....	2
4	00-185700-00007	Heater - 10 kW Electric (600 V.) (2HTR & 3HTR) (Wash Tank).....	2
5	00-185700-00009	Heater - 10 kW Electric (380 V.) (2HTR & 3HTR) (Wash Tank).....	2
6	00-185700-00011	Heater - 10 kW Electric (415 V.) (2HTR & 3HTR) (Wash Tank).....	2
7	00-185700-00004	Heater - 13 kW Electric (208 V.) (1HTR & 4HTR) (Wash Tank).....	2
8	00-185700-00005	Heater - 13 kW Electric (240 V.) (1HTR & 4HTR) (Wash Tank).....	2
9	00-185700-00006	Heater - 13 kW Electric (480 V.) (1HTR & 4HTR) (Wash Tank).....	2
10	00-185700-00008	Heater - 13 kW Electric (600 V.) (1HTR & 4HTR) (Wash Tank).....	2
11	00-185700-00010	Heater - 13 kW Electric (380 V.) (1HTR & 4HTR) (Wash Tank).....	2
12	00-185700-00012	Heater - 13 kW Electric (415 V.) (1HTR & 4HTR) (Wash Tank).....	2
13	RR-010-13	Retaining Ring.....	3
14	00-112467	Retainer - Float.....	3
15	00-186091	Probe & Float Assy. (4 Wire) (Long) (Temp. & Water Level) (Incls. Items 13, 14, & 40) (Previous Construction).....	1
16	00-936547-00002	Switch & Probe Assy. (4-Wire) (Short) (Incls. Items 13, 14, & 40) (Current Construction).....	1
17	00-328495	Probe & Float Assy. (2 Wire) (Long) (Incls. Items 13, 14, & 40) (Previous Construction)	1
18	00-936547-00001	Probe & Switch Assy. (2-Wire) (Short) (Incls. Items 13, 14, & 40) (Current Construction).....	1
19	00-067500-00072	O-Ring.....	3
20	WS-010-40	Washer - Thrust.....	3
21	WL-014-31	Lockwasher 1/2 External Shakeproof (SST).....	3
22	NS-018-28	Jam Nut 1/2-20 Hex (SST).....	3
23	00-476988	Box - Electric Heat (Previous Construction).....	1
24	00-475967	Bracket - High Limit.....	2
25	NS-031-15	Stop Nut 10-24 Hex (SST).....	4
26	00-294615-00001	Control - Temperature (Over Temp.).....	2
27	00-288543-00001	Jumper - Long (Old Controls).....	AR
28	00-288543-00002	Jumper - Short (Old Controls).....	AR
29	WL-014-07	Lockwasher #10 External Shakeproof (SST).....	AR
30	NS-009-30	Nut 10-32 Hex.....	AR
31	00-950696	Insulator - Terminal (Above 250 V.).....	AR
32	NS-015-13	Nut 3/8-16 Hex (SST).....	2
33	WL-006-27	Lockwasher 3/8 Helical (SST).....	2
34	00-748102	Lid Assy. - Electric Heat Box (Incls. Item 35).....	1
35	00-748101	Gasket - Electric Heat Box Lid.....	1
36	NS-031-15	Stop Nut 10-24 Hex (SST).....	8
37	WS-019-06	Washer.....	8
38	00-918925	Box - Electric Heat Probe (New Controls).....	1
39	00-748195	Plate - Electric Heat.....	2
40	00-122674	Float Assy.....	3
41	00-067500-00034	O-Ring.....	2
42	00-476745-00011	Cable Assy. (LH Tank Thermostat) (R-L & L-R) (Old Controls).....	1
43	00-476745-00012	Cable Assy. (RH Tank Thermostat) (R-L) (Old Controls).....	1
44	00-476745-00019	Cable Assy. (RH Tank High Limit) (L-R) (Old Controls).....	1
45	FE-024-59	Connector Straight (Non-Metallic) Sealtite (1 Male) (Old Controls).....	AR
46	FE-024-63	Connector 45 Deg. (Non-Metallic) Sealtite (1 Male) (Old Controls).....	AR
47	00-919764-00003	Harness - Tank Heater Assy. (Tank 1) (L-R) (New Controls).....	1
48	00-919764-00004	Harness - Tank Heater Assy. (Tank 1) (R-L) (New Controls).....	1
49	00-919764-00005	Harness - Tank Heater Assy. (Tank 1) (L-R) (New Controls).....	1
50	00-919764-00006	Harness - Tank Heater Assy. (Tank 1) (R-L) (New Controls).....	1



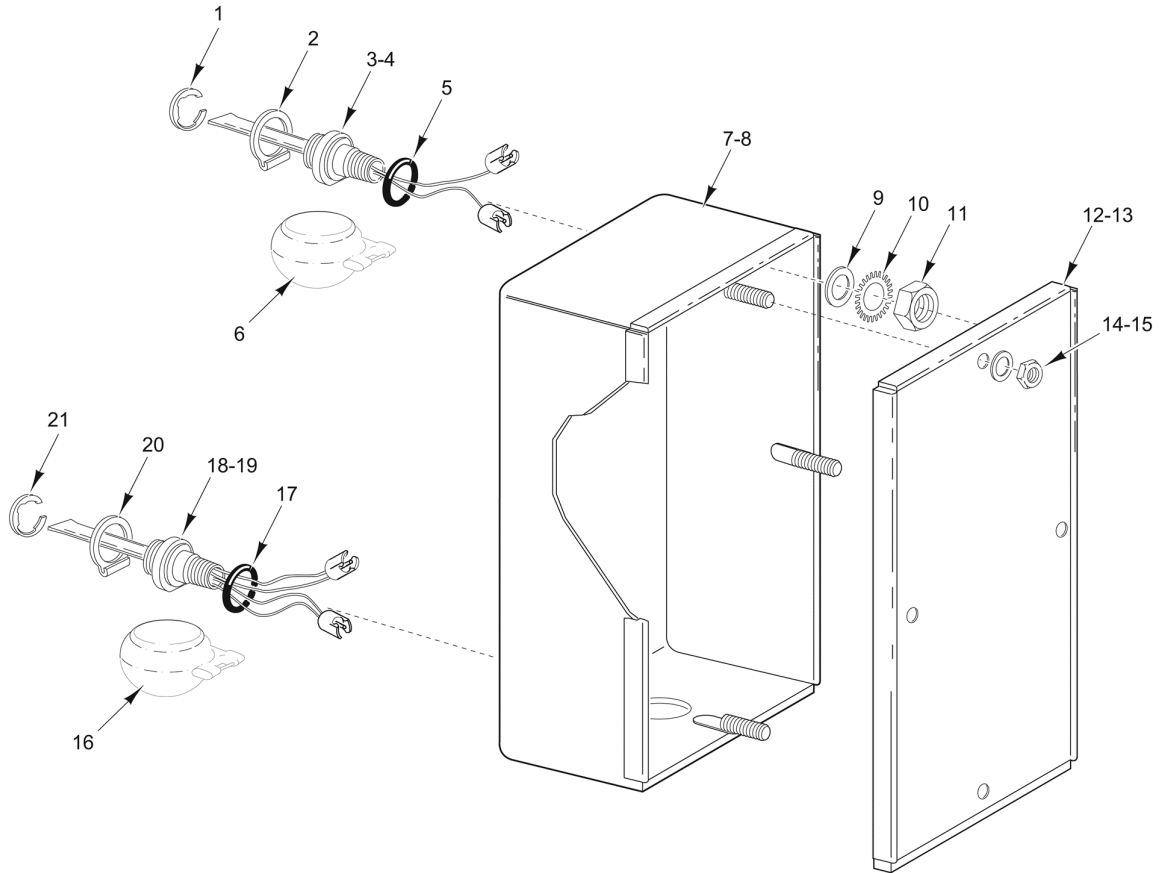
**ELECTRIC HEATER
(DUAL RINSE)
(FT900D & FT900SD)**

**ELECTRIC HEATER
(DUAL RINSE)
(FT900D & FT900SD)**

ILLUS.	PART NO.	NAME OF PART	AMT.
PL-58622			
1	NS-031-15	Stop Nut 10-24 Hex (SST).....	4
2	WS-019-06	Washer.....	4
3	00-918200	Lid Assy. - Electric Heat Box (Incls. Item 4).....	1
4	00-918201	Gasket - Electric Heat Box.....	1
5	00-294615-00001	Control - Temperature.....	2
6	00-475967	Bracket - High Limit.....	2
7	00-288543-00001	Jumper - Long.....	AR
8	00-288543-00002	Jumper - Short.....	AR
9	00-918197-00002	Box - Electric Heat.....	1
10	FE-024-58	Connector Straight (Non-Metallic) Sealtite (3/4 Male Thd. x 3/4 Flex. Cnd.).....	1
11	00-893120-00001	Element - Heater (208-240 V.).....	2
12	00-893120-00003	Element - Heater (380 V.).....	2
13	00-893120-00002	Element - Heater (480 V.).....	2
14	PB-005-17	Plug - Button.....	1

**ELECTRIC HEATER
(AUXILIARY TANK) (FT900W)**

ILLUS.	PART NO.	NAME OF PART	AMT.
1	00-119078-00007	Heater - Electric (208-240 V.).....	1
2	00-119078-00009	Heater - Electric (480 V.).....	1
3	00-119078-00008	Heater - Electric (415 V.).....	1
4	00-119078-00010	Heater - Electric (600 V.).....	1
5	00-067500-00034	O-Ring.....	1
6	00-475906-00004	Box - Electric Heat.....	1
7	00-475967	Bracket - High Limit.....	1
8	NS-031-15	Stop Nut 10-24 Hex (SST).....	2
9	00-294615-00001	Control - Temperature.....	1
10	00-748744	Plate - Electric Heat.....	1
11	00-288543-00001	Jumper - Long.....	AR
12	00-288543-00002	Jumper - Short.....	AR
13	WL-014-07	Lockwasher #10 External Shakeproof (SST).....	AR
14	NS-009-30	Nut 10-32 Hex.....	AR
15	00-950696	Insulator - Terminal (Above 250 V.).....	AR
16	00-474569	Gasket - Electric Heat Box.....	1
17	00-474574-00002	Lid Assy. - Electric Heat Box (Incls. Item 16).....	1
18	NS-031-15	Stop Nut 10-24 Hex (SST).....	4
19	WS-019-06	Washer.....	4
20	NS-015-13	Nut 3/8-16 Hex (SST).....	1
21	WL-006-27	Lockwasher 3/8 Helical (SST).....	1



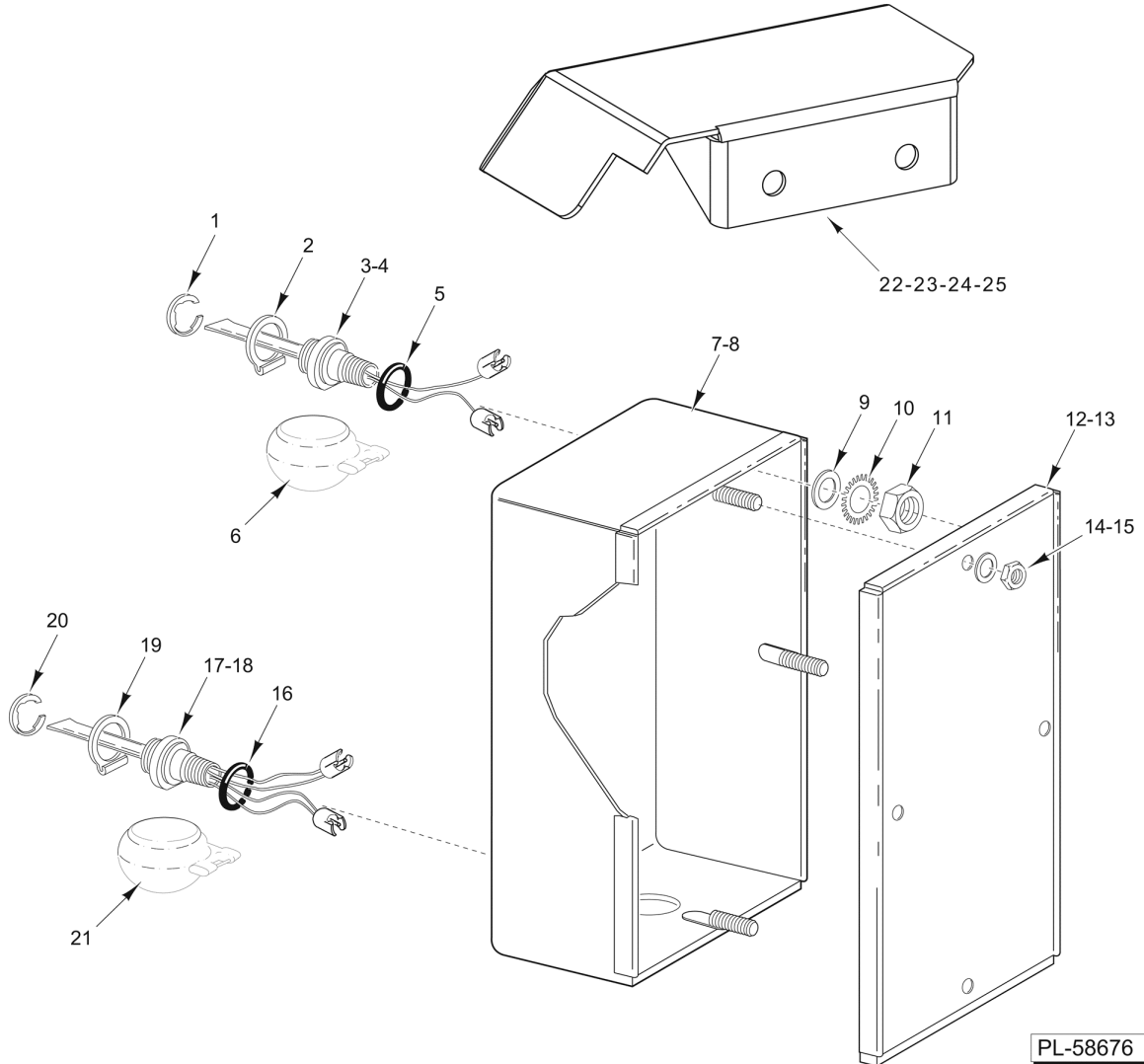
1 Unit Required - FT900S & FT900SD
2 Units Required - FT900, FT900D, & FT900W

PL-58054

**PROBE BOX
(LOW WATER PROTECTION)
(STEAM HEAT)**

**PROBE BOX
(LOW WATER PROTECTION)
(STEAM HEAT)**

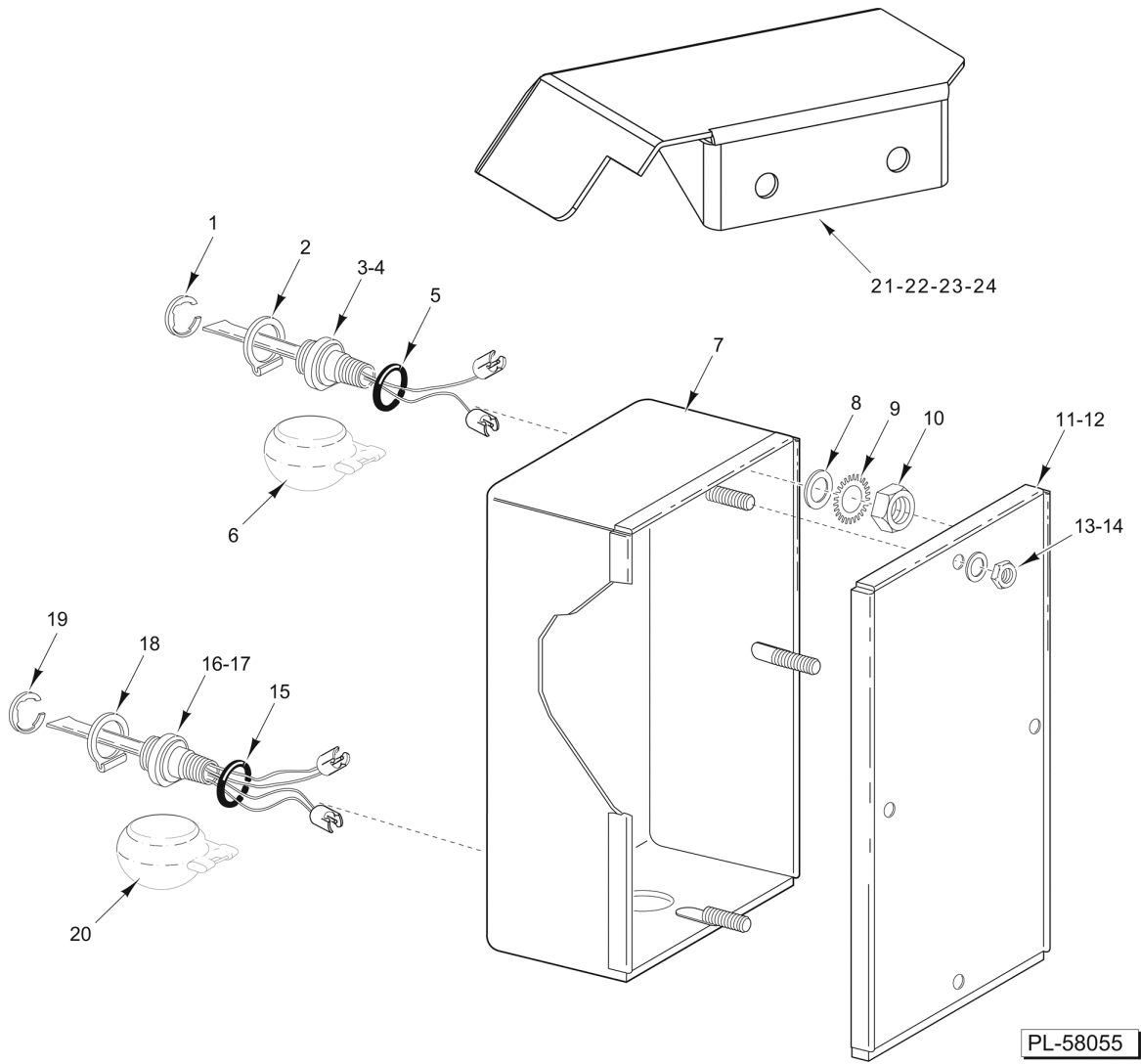
ILLUS. PL-58054	PART NO.	NAME OF PART	AMT.
1	RR-010-13	Retaining Ring.....	AR
2	00-112467	Retainer - Float.....	AR
3	00-328495	Probe & Float Assy. (2 Wire) (Long) (Incls. Items 1, 2, & 6) (Previous Construction)	AR
4	00-936547-00001	Probe & Switch Assy. (2-Wire) (Short) (Incls. Items 1, 2, & 6) (Current Construction)	AR
5	00-067500-00072	O-Ring.....	AR
6	00-122674	Float Assy.....	AR
7	00-475906	Box - Probe (Previous Construction).....	1
8	00-918916-00001	Box - Probe (New Controls).....	1
9	WS-010-40	Washer - Thrust.....	AR
10	WL-014-31	Lockwasher 1/2 External Shakeproof (SST).....	AR
11	NS-018-28	Jam Nut 1/2-20 Hex (SST).....	AR
12	00-474574-00002	Lid Assy. (Incls. Item 13).....	1
13	00-474569	Gasket - Electric Heat Box.....	1
14	WS-019-06	Washer.....	4
15	NS-031-15	Stop Nut 10-24 Hex (SST).....	4
16	00-122674	Float Assy.....	AR
17	00-067500-00072	O-Ring.....	AR
18	00-186091	Probe & Float Assy. (4 Wire) (Long) (Temp. & Water Level) (Incls. Items 16, 20, & 21) (Previous Construction).....	AR
19	00-936547-00002	Switch & Probe Assy. (4-Wire) (Short) (Incls. Items 16, 20, & 21) (Current Construction).....	AR
20	00-112467	Retainer - Float.....	AR
21	RR-010-13	Retaining Ring.....	AR



**PROBE BOX
(DUAL RINSE)
(FT900D AND FT900SD)**

**PROBE BOX
(DUAL RINSE)
(FT900D AND FT900SD)**

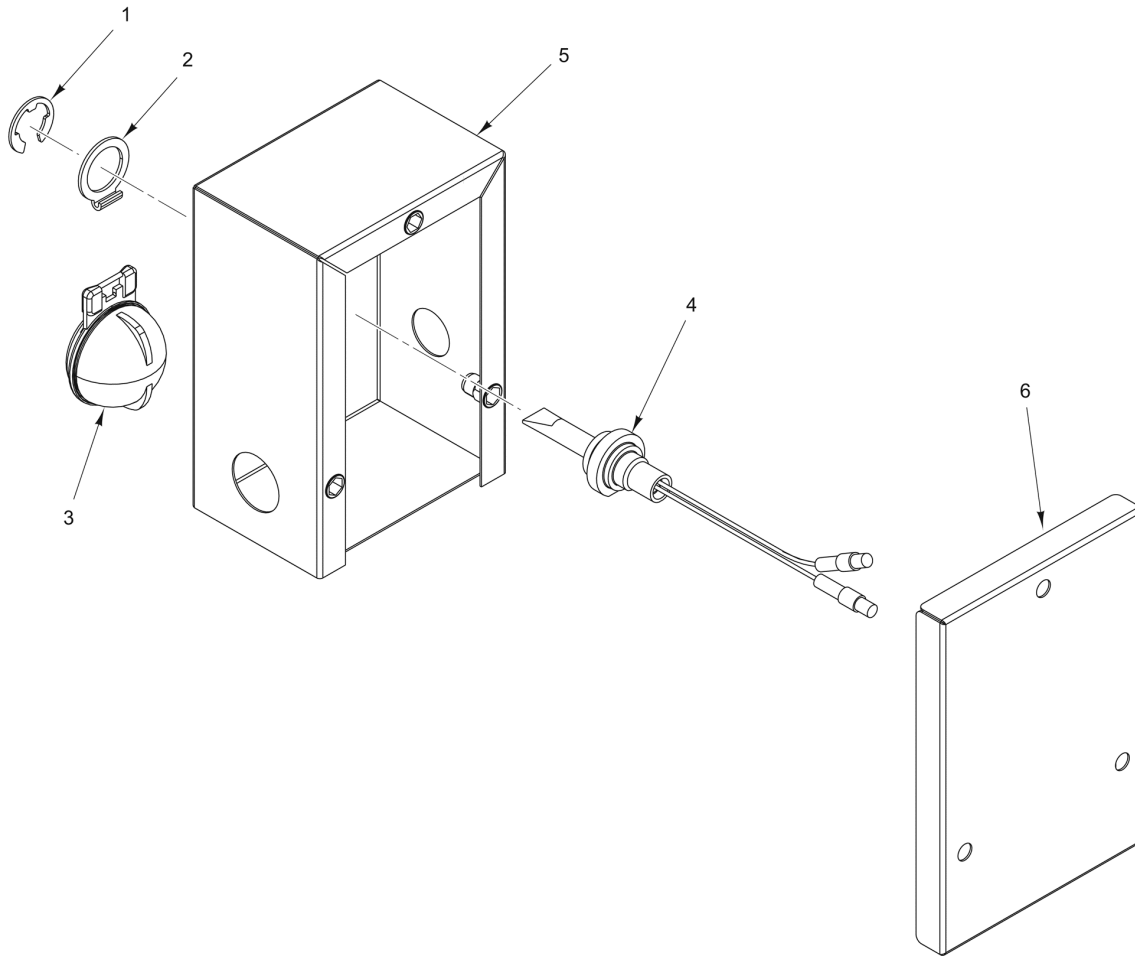
ILLUS.	PART NO.	NAME OF PART	AMT.
PL-58676			
1	RR-010-13	Retaining Ring.....	AR
2	00-112467	Retainer - Float.....	AR
3	00-328495	Probe & Float Assy. (2 Wire) (Long) (Incls. Items 1, 2, & 6) (Previous Construction)	1
4	00-936547-00001	Probe & Switch Assy. (2-Wire) (Short) (Incls. Items 1, 2, & 6) (Current Construction)	AR
5	00-067500-00072	O-Ring.....	AR
6	00-122674	Float Assy.....	AR
7	00-475906-00005	Box - Probe (Old Controls).....	1
8	00-918916-00002	Box - Probe (New Controls).....	1
9	WS-010-40	Washer - Thrust.....	AR
10	WL-014-31	Lockwasher 1/2 External Shakeproof (SST).....	AR
11	NS-018-28	Jam Nut 1/2-20 Hex (SST).....	AR
12	00-474574-00002	Lid Assy. (Incls. Item 13).....	1
13	00-474569	Gasket - Electric Heat Box.....	1
14	WS-019-06	Washer.....	AR
15	NS-031-15	Stop Nut 10-24 Hex (SST).....	AR
16	00-067500-00072	O-Ring.....	AR
17	00-186091	Probe & Float Assy. (4 Wire) (Long) (Temp. & Water Level) (Incls. Items 19, 20,& 21) (Previous Construction).....	1
18	00-936547-00002	Switch & Probe Assy. (4-Wire) (Short) (Incls. Items 19, 20,& 21) (Current Construction)	AR
19	00-112467	Retainer - Float.....	AR
20	RR-010-13	Retaining Ring.....	AR
21	00-122674	Float Assy.....	AR
22	00-918449	Guard - Float & Probe.....	AR
23	NS-015-11	Nut 5/16-18 Hex (SST).....	AR
24	WL-006-23	Lockwasher 5/16 Helical (SST).....	AR
25	WS-017-01	Washer 0.328 x 0.875 x 0.062 (SST).....	AR



**PROBE BOX
(AUXILIARY TANK) (FT900W)**

**PROBE BOX
(AUXILIARY TANK) (FT900W)**

ILLUS.	PART NO.	NAME OF PART	AMT.
PL-58055			
1	RR-010-13	Retaining Ring.....	AR
2	00-112467	Retainer - Float.....	AR
3	00-328495	Probe & Float Assy. (2 Wire) (Long) (Incls. Items 1, 2, & 6) (Previous Construction)	1
4	00-936547-00001	Probe & Switch Assy. (2-Wire) (Short) (Incls. Items 1, 2, & 6) (Current Construction)	AR
5	00-067500-00072	O-Ring.....	AR
6	00-122674	Float Assy.....	AR
7	00-475906-00005	Box - Probe.....	1
8	WS-010-40	Washer - Thrust.....	AR
9	WL-014-31	Lockwasher 1/2 External Shakeproof (SST).....	AR
10	NS-018-28	Jam Nut 1/2-20 Hex (SST).....	AR
11	00-474574-00002	Lid Assy. (Incls. Item 12).....	1
12	00-474569	Gasket - Electric Heat Box.....	1
13	WS-019-06	Washer.....	AR
14	NS-031-15	Stop Nut 10-24 Hex (SST).....	AR
15	00-122674	Float Assy.....	AR
16	00-067500-00072	O-Ring.....	AR
17	00-186091	Probe & Float Assy. (4 Wire) (Long) (Temp. & Water Level) (Incls. Items 15, 19, & 20) (Previous Construction).....	1
18	00-936547-00002	Switch & Probe Assy. (4-Wire) (Short) (Incls. Items 15, 19, & 20) (Current Construction)	AR
19	00-112467	Retainer - Float.....	AR
20	RR-010-13	Retaining Ring.....	AR
21	00-918449	Guard - Float & Probe.....	AR
22	WS-017-01	Washer 0.328 x 0.875 x 0.062 (SST).....	AR
23	WL-006-23	Lockwasher 5/16 Helical (SST).....	AR
24	NS-015-11	Nut 5/16-18 Hex (SST).....	AR

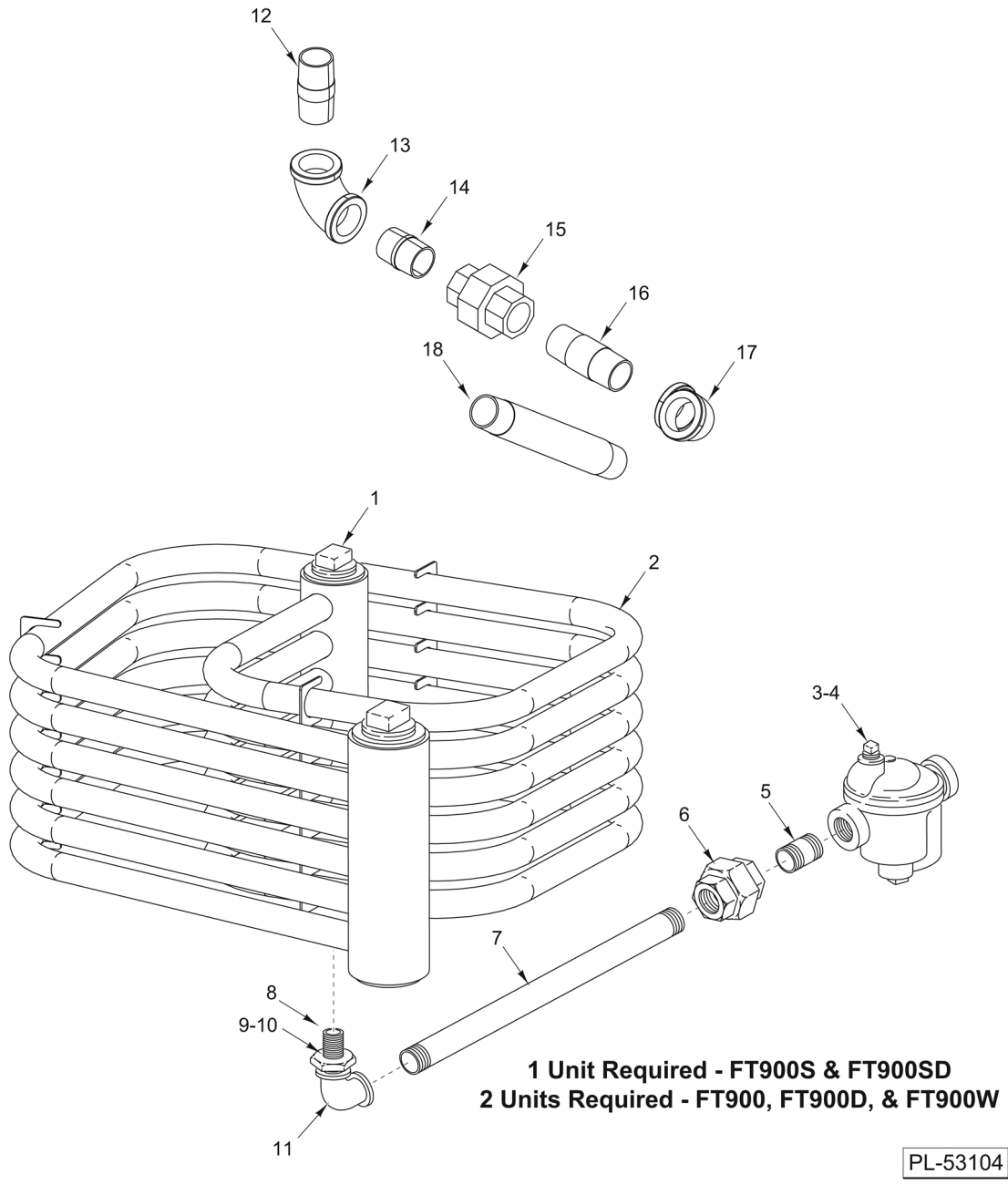


PL-60313

**FLOAT BOX
(DUAL RINSE) (FT900D)**

**FLOAT BOX
(DUAL RINSE) (FT900D)**

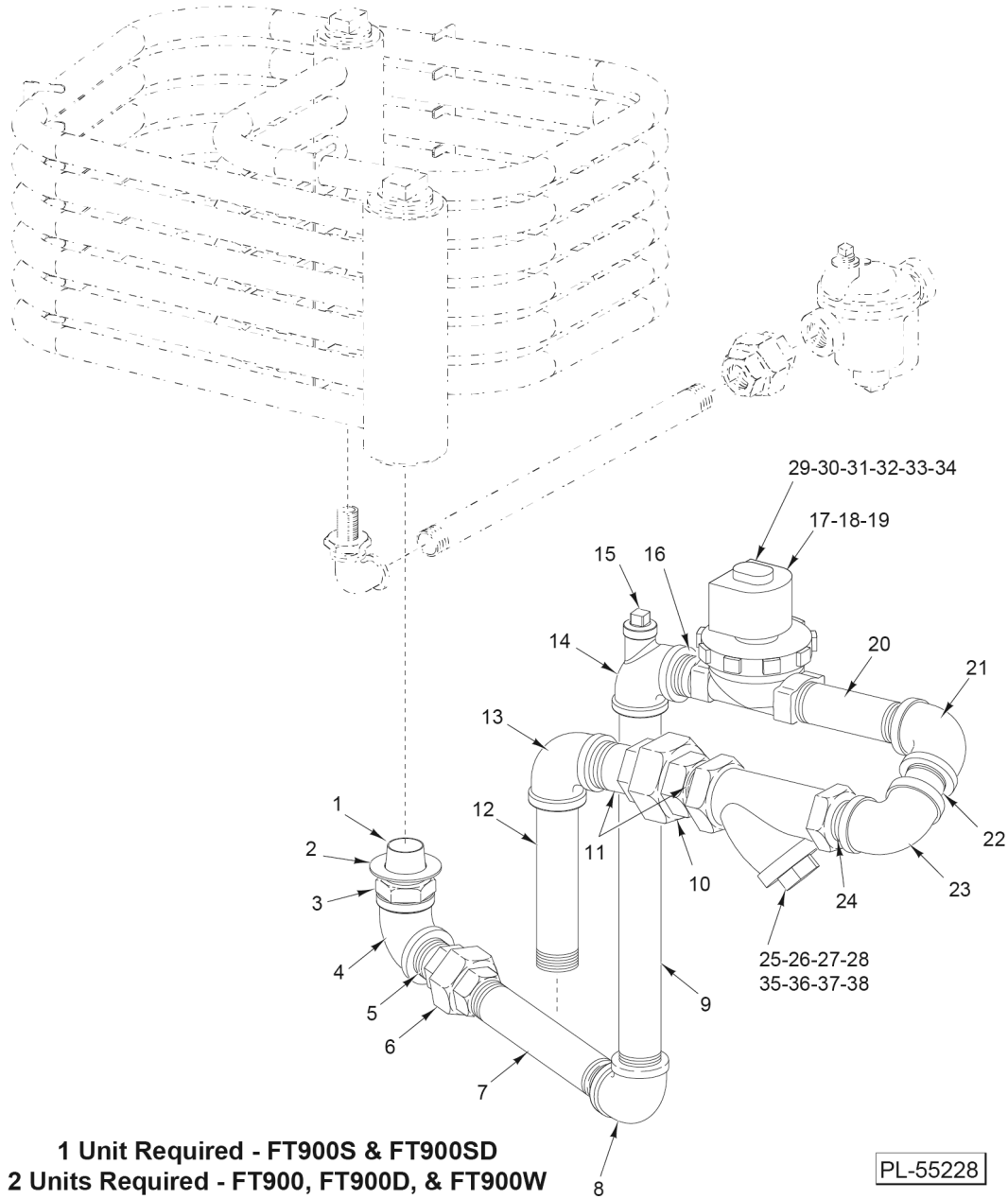
ILLUS.	PART NO.	NAME OF PART	AMT.
PL-60313			
1	RR-010-13	Retaining Ring.....	1
2	00-112467	Retainer - Float.....	1
3	00-122674	Float Assy.....	1
4	00-936547-00001	Probe & Switch Assy. (2-Wire) (Short) (Incls. Items 1, 2, & 3).....	1
5	00-942030	Box - Float.....	1
6	00-942032	Lid - Float Box.....	1



**STEAM COILS
(TANK HEAT)**

**STEAM COILS
(TANK HEAT)**

ILLUS.	PART NO.	NAME OF PART	AMT.
PL-53104			
1	FP-052-09	Pipe Plug 3/4 Sq. Hd. (SST).....	2
2	00-475901	Coil - Steam.....	1
	00-919419	Coil - Steam Dual Rinse (L-R).....	1
	00-919419-00002	Coil - Steam Dual Rinse (R_L).....	1
3	00-118316	Steam Trap (0-20 PSI).....	1
4	00-118317	Steam Trap (21-50 PSI).....	1
5	FP-036-92	Pipe 3/4 x 1-3/8 TBE (Black).....	1
6	FP-022-17	Union 3/4 (Grd. Seat).....	1
7	FP-080-75	Pipe 3/4 x 9 TBE.....	1
8	FP-080-17	Pipe 3/4 x 2 TBE (1-1/2 RTOE) (SST).....	1
9	FP-053-09	Lock Nut 3/4 NPSL (SST).....	1
10	WS-013-45	Washer.....	2
11	FP-013-22	Elbow Pipe 3/4 x 90 Deg.....	1
12	FP-036-95	Pipe 3/4 x 2 TBE.....	1
13	FP-013-22	Elbow Pipe 3/4 x 90 Deg.....	1
14	FP-036-92	Pipe 3/4 x 1-3/8 TBE (Black).....	1
15	FP-022-17	Union 3/4 (Grd. Seat).....	1
16	FP-036-02	Pipe 3/4 x 2-1/2 TBE.....	1
17	FP-013-22	Elbow Pipe 3/4 x 90 Deg.....	1
18	FP-036-96	Pipe 3/4 x 6-3/4 TBE.....	1

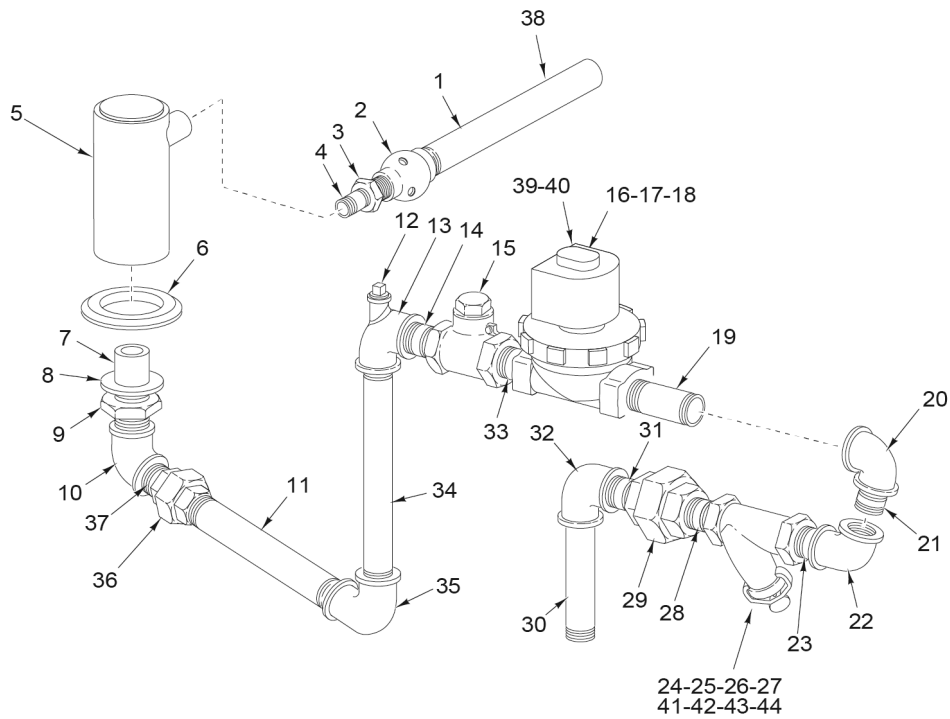


**STEAM COIL PIPING
(ONE TANK)**

**STEAM COIL PIPING
(ONE TANK)**

ILLUS.	PART NO.	NAME OF PART	AMT.
PL-55228			
1	FP-080-17	Pipe 3/4 x 2 TBE (1-1/2 RTOE) (SST).....	1
2	WS-013-45	Washer.....	1
3	FP-053-09	Lock Nut 3/4 NPSL (SST).....	1
4	FP-013-22	Elbow Pipe 3/4 x 90 Deg.....	1
5	FP-036-92	Pipe 3/4 x 1-3/8 TBE (Black).....	1
6	FP-022-17	Union 3/4 (Grd. Seat).....	1
7	FP-059-65	Pipe 3/4 x 6 TBE.....	1
8	FP-013-22	Elbow Pipe 3/4 x 90 Deg.....	1
9	FP-036-96	Pipe 3/4 x 6-3/4 TBE.....	1
10	FP-022-17	Union 3/4 (Grd. Seat).....	1
11	FP-036-92	Pipe 3/4 x 1-3/8 TBE (Black).....	2
12	FP-036-11	Pipe 3/4 x 5.....	1
13	FP-013-22	Elbow Pipe 3/4 x 90 Deg.....	1
14	FP-019-79	Tee 3/4 x 1/4 x 3/4 Reducing.....	1
15	FP-028-06	Pipe Plug 1/4 Sq. Hd.....	1
16	FP-059-14	Pipe 3/4 x 4-1/2 TBE.....	1
17	00-749983	Valve - Steam (3/4 In.) (125 PSI).....	1
18	00-892038	Coil - Solenoid Valve (110-120 V.).....	1
19	00-892072	Kit - 3/4 In. Valve Service.....	1
20	FP-036-11	Pipe 3/4 x 5.....	1
21	FP-013-22	Elbow Pipe 3/4 x 90 Deg.....	1
22	FP-036-92	Pipe 3/4 x 1-3/8 TBE (Black).....	1
23	FP-013-22	Elbow Pipe 3/4 x 90 Deg.....	1
24	FP-036-92	Pipe 3/4 x 1-3/8 TBE (Black).....	1
*25	00-186922	Strainer - Line (3/4 In.) (Brass) (Kitz) (Incls. Items 26, 27, & 28) (Alternate to Item 35)	1
26	00-186923	Plug - Branch.....	1
27	00-186924	Gasket - Branch Plug.....	1
28	00-186925	Screen - Line Strainer.....	1
29	00-476745-00009	Cable Assy. - Left Tank Steam Valve (R-L) (Old Controls).....	1
30	00-476745-00010	Cable Assy. - Right Tank Steam Valve (R-L) (Old Controls).....	1
31	00-476745-00017	Cable Assy. - Left Tank Steam Valve (L-R) (Old Controls).....	1
32	00-476745-00018	Cable Assy. - Right Tank Steam Valve (L-R) (Old Controls).....	1
33	00-476615	Connector - Din (End Of Harness).....	1
34	00-918568-021-5	Cable Assy. (Tank 2, 950 L.) (R-L) (New Controls).....	1
*35	00-186922	Strainer - Line (3/4 In.) (Brass) (Apollo / Conbraco) (Incls. Items 36, 37, & 38) (Alternate to Item 25).....	1
36	00-749802-00001	Cap.....	1
37	00-749802-00002	Gasket.....	1
38	00-749802-00003	Screen (80 Mesh).....	1

* Kitz line strainer is approx. 1/4" shorter than Apollo / Conbraco.



2 Units Required - FT900 & FT900D

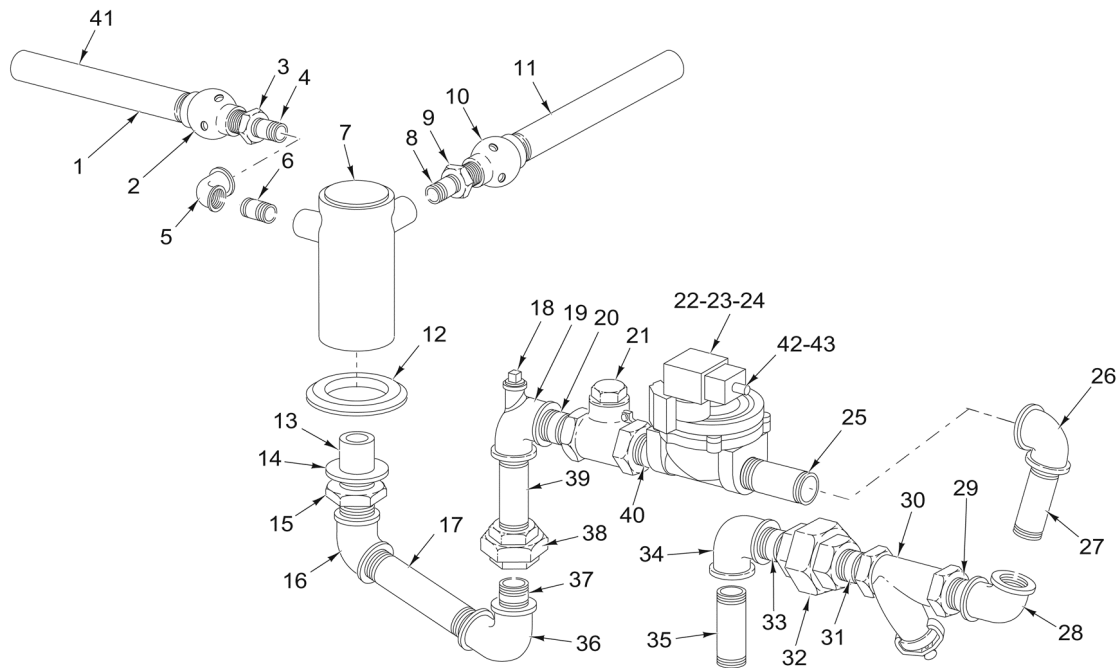
PL-55232

**SINGLE STEAM INJECTOR
(TANK HEAT)**

**SINGLE STEAM INJECTOR
(TANK HEAT)**

ILLUS.	PART NO.	NAME OF PART	AMT.
PL-55232			
1	FP-054-45	Pipe 1-1/4 x 12 In. (STOE) (SST).....	1
2	00-288674	Water Heater & Orifice Assy.....	1
3	FP-051-22	Bushing.....	1
4	FP-054-44	Pipe 3/4 x 2-1/2 TBE (SST).....	1
5	00-748379-00001	Manifold - Single-Steam Injector.....	1
6	00-545594	Sealer.....	1
7	FP-080-17	Pipe 3/4 x 2 TBE (1-1/2 RTOE) (SST).....	1
8	WS-013-45	Washer.....	1
9	FP-053-09	Lock Nut 3/4 NPSL (SST).....	1
10	FP-013-22	Elbow Pipe 3/4 x 90 Deg.....	1
11	FP-059-65	Pipe 3/4 x 6 TBE.....	1
12	FP-028-06	Pipe Plug 1/4 Sq. Hd.....	1
13	FP-019-79	Tee 3/4 x 1/4 x 3/4 Reducing.....	1
14	FP-036-92	Pipe 3/4 x 1-3/8 TBE (Black).....	1
15	00-074696	Check Valve (3/4).....	1
16	00-892038	Coil - Solenoid Valve (110-120 V.).....	1
17	00-749983	Valve - Steam (3/4 In.) (125 PSI).....	1
18	00-892072	Kit - 3/4 In. Valve Service.....	1
19	FP-036-11	Pipe 3/4 x 5.....	1
20	FP-013-22	Elbow Pipe 3/4 x 90 Deg.....	1
21	FP-036-92	Pipe 3/4 x 1-3/8 TBE (Black).....	1
22	FP-013-22	Elbow Pipe 3/4 x 90 Deg.....	1
23	FP-036-92	Pipe 3/4 x 1-3/8 TBE (Black).....	1
*24	00-186922	Strainer - Line (3/4 In.) (Brass) (Kitz) (Incls. Items 25, 26, & 27) (Alternate to Item 41)	1
25	00-186923	Plug - Branch.....	1
26	00-186924	Gasket - Branch Plug.....	1
27	00-186925	Screen - Line Strainer.....	1
28	FP-036-92	Pipe 3/4 x 1-3/8 TBE (Black).....	1
29	FP-022-17	Union 3/4 (Grd. Seat).....	1
30	FP-036-11	Pipe 3/4 x 5.....	1
31	FP-036-92	Pipe 3/4 x 1-3/8 TBE (Black).....	1
32	FP-013-22	Elbow Pipe 3/4 x 90 Deg.....	1
33	FP-036-92	Pipe 3/4 x 1-3/8 TBE (Black).....	1
34	FP-036-96	Pipe 3/4 x 6-3/4 TBE.....	1
35	FP-013-22	Elbow Pipe 3/4 x 90 Deg.....	1
36	FP-022-17	Union 3/4 (Grd. Seat).....	1
37	FP-036-92	Pipe 3/4 x 1-3/8 TBE (Black).....	1
38	00-104288	Water Heater & Pipe Assy. (Incls. Items 1 thru 4).....	1
39	00-476615	Connector - Din (End Of Harness) (Old Controls).....	1
40	00-918568-021-5	Cable Assy. (New Controls).....	1
*41	00-186922	Strainer - Line (3/4 In.) (Brass) (Apollo / Conbraco) (Incls. Items 42 43, & 44) (Alternate to Item 24).....	1
42	00-749802-00001	Cap.....	1
43	00-749802-00002	Gasket.....	1
44	00-749802-00003	Screen (80 Mesh).....	1

* Kitz line strainer is approx. 1/4" shorter than Apollo / Conbraco.



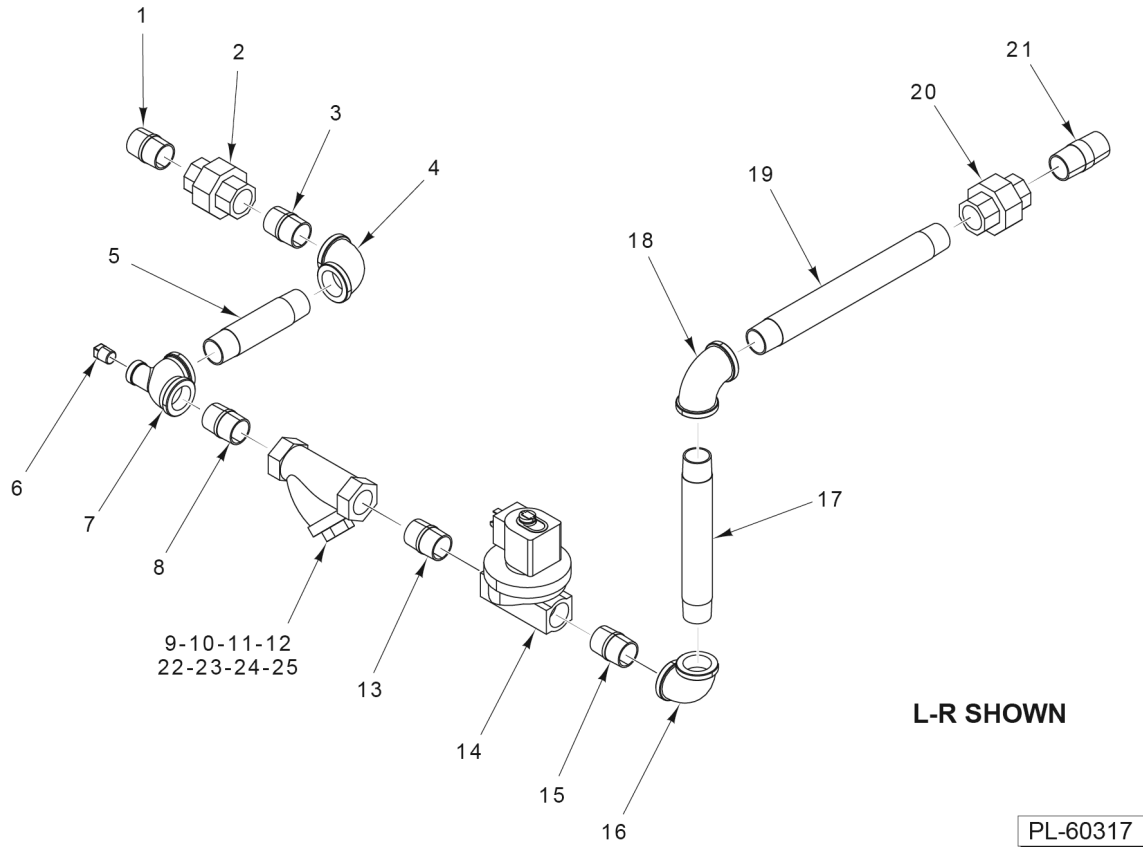
1 Unit Required - FT900S & FT900SD
2 Units Required - FT900, FT900D, & FT900W

PL-55235

**DOUBLE STEAM INJECTOR
 (TANK HEAT)**

**DOUBLE STEAM INJECTOR
(TANK HEAT)**

ILLUS.	PART NO.	NAME OF PART	AMT.
PL-55235			
1	FP-054-45	Pipe 1-1/4 x 12 In. (STOE) (SST).....	1
2	00-288674	Water Heater & Orifice Assy.....	1
3	FP-051-22	Bushing.....	1
4	FP-054-44	Pipe 3/4 x 2-1/2 TBE (SST).....	1
5	FP-049-15	Elbow 3/4 x 90 Deg. (SST).....	1
6	FP-054-44	Pipe 3/4 x 2-1/2 TBE (SST).....	1
7	00-748379-00002	Manifold - Double-Steam Injector.....	1
8	FP-054-44	Pipe 3/4 x 2-1/2 TBE (SST).....	1
9	FP-051-22	Bushing.....	1
10	00-288674	Water Heater & Orifice Assy.....	1
11	FP-054-45	Pipe 1-1/4 x 12 In. (STOE) (SST).....	1
12	00-545594	Sealer.....	1
13	FP-088-86	Pipe 1 x2 1/2 TBE (1 1/2 RTOE).....	1
14	00-476054	Washer.....	1
15	FP-084-06	Nut - Lock 1 In. NPSL.....	1
16	FP-013-27	Elbow - Pipe 1 x 90 Deg.....	1
17	FP-067-15	Pipe 1 x 7-3/4 TBE.....	1
18	FP-028-06	Pipe Plug 1/4 Sq. Hd.....	1
19	FP-019-81	Tee - Pipe 1 x 1/4 x 1.....	1
20	FP-036-17	Pipe 1 x 1-1/2 TBE.....	1
21	FP-063-28	Check Valve (1 In.).....	1
22	00-919172	Valve - Steam (1 In.).....	1
23	00-919174	Coil - Solenoid (1 In.) (16-120 V.).....	1
24	00-919176	Service Kit (1 In.).....	1
25	FP-059-38	Pipe 1 x 5 TBE.....	1
26	FP-013-27	Elbow - Pipe 1 x 90 Deg.....	1
27	FP-036-17	Pipe 1 x 1-1/2 TBE.....	1
28	FP-013-27	Elbow - Pipe 1 x 90 Deg.....	1
29	FP-036-17	Pipe 1 x 1-1/2 TBE.....	1
30	00-748967	Stainer - Line (1 In.).....	1
31	FP-036-17	Pipe 1 x 1-1/2 TBE.....	1
32	FP-022-23	Union - Pipe (1 In.).....	1
33	FP-036-17	Pipe 1 x 1-1/2 TBE.....	1
34	FP-013-27	Elbow - Pipe 1 x 90 Deg.....	1
35	FP-059-51	Pipe 1 x 4-1/2 TBE.....	1
36	FP-013-27	Elbow - Pipe 1 x 90 Deg.....	1
37	FP-036-17	Pipe 1 x 1-1/2 TBE.....	1
38	FP-022-23	Union - Pipe (1 In.).....	1
39	FP-078-59	Pipe 1 x 4-1/4.....	1
40	FP-036-18	Pipe 1 x 2-5/8 TBE.....	1
41	00-104288	Water Heater & Pipe Assy. (Incls. Items 1 thru 4).....	1
42	00-476615	Connector - Din (End Of Harness) (Old Controls).....	1
43	00-918568-021-5	Cable Assy. (New Controls).....	AR

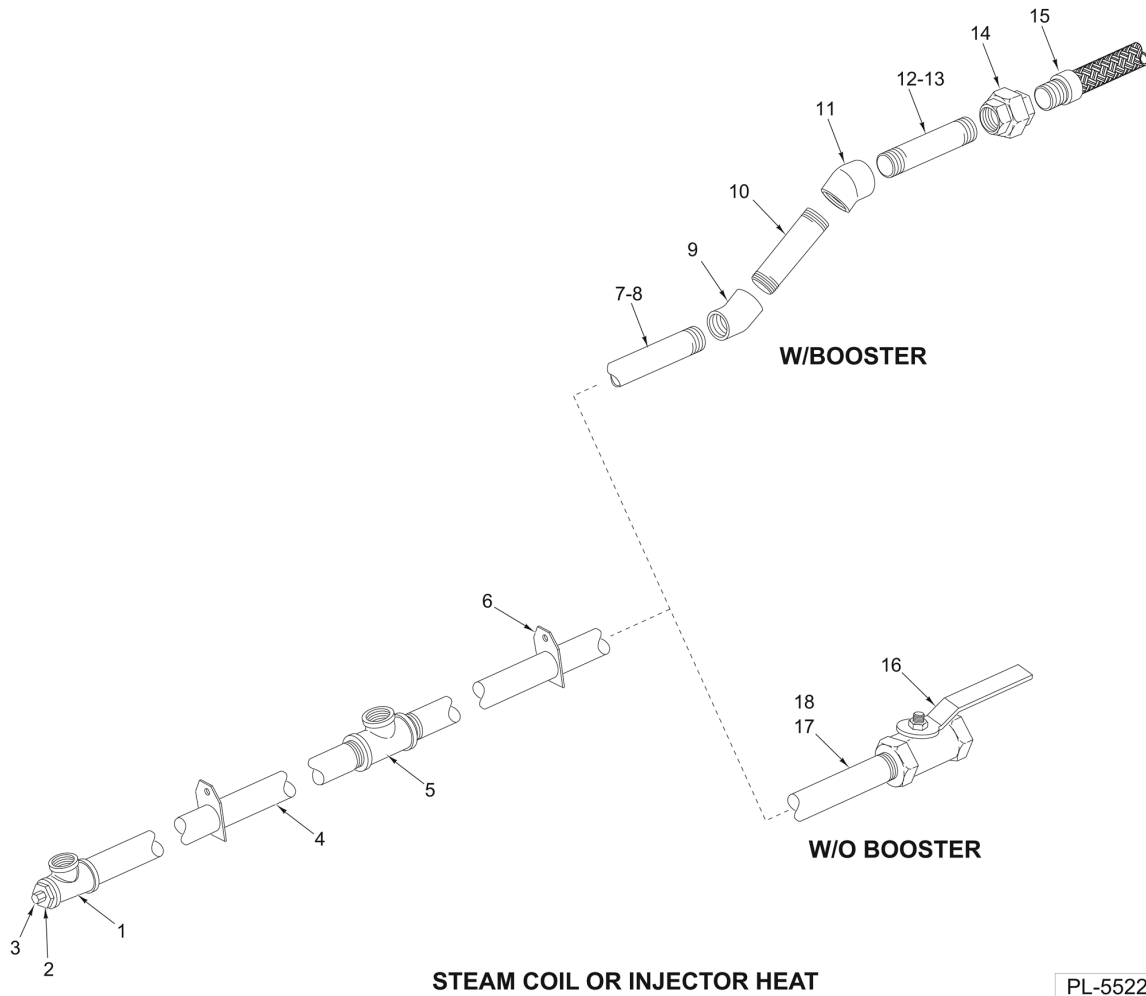


**SUPPLY PIPING
(TANK HEAT)
(DUAL RINSE)**

**SUPPLY PIPING
(TANK HEAT)
(DUAL RINSE)**

ILLUS. PL-60317	PART NO.	NAME OF PART	AMT.
1	FP-036-92	Pipe 3/4 x 1-3/8 TBE (Black).....	1
2	FP-022-17	Union 3/4 (Grd. Seat).....	1
3	FP-036-92	Pipe 3/4 x 1-3/8 TBE (Black).....	1
4	FP-013-22	Elbow Pipe 3/4 x 90 Deg.....	1
5	FP-036-87	Pipe 3/4 x 4-1/4 TBE.....	1
6	FP-028-06	Pipe Plug 1/4 Sq. Hd.....	1
7	FP-019-79	Tee 3/4 x 1/4 x 3/4 Reducing.....	1
8	FP-036-92	Pipe 3/4 x 1-3/8 TBE (Black).....	1
*9	00-186922	Strainer - Line (3/4 In.) (Brass) (Kitz) (Incls. Items 10, 11, & 12) (Alternate to Item 22)	1
10	00-186923	Plug - Branch.....	1
11	00-186924	Gasket - Branch Plug.....	1
12	00-186925	Screen - Line Strainer.....	1
13	FP-036-92	Pipe 3/4 x 1-3/8 TBE (Black).....	1
14	00-749983	Valve - Steam (3/4 In.) (125 PSI).....	1
15	FP-036-92	Pipe 3/4 x 1-3/8 TBE (Black).....	1
16	FP-013-22	Elbow Pipe 3/4 x 90 Deg.....	1
17	FP-036-96	Pipe 3/4 x 6-3/4 TBE.....	1
18	FP-013-22	Elbow Pipe 3/4 x 90 Deg.....	1
19	FP-080-75	Pipe 3/4 x 9 TBE.....	1
20	FP-022-17	Union 3/4 (Grd. Seat).....	1
21	FP-036-95	Pipe 3/4 x 2 TBE.....	1
*22	00-186922	Strainer - Line (3/4 In.) (Brass) (Apollo / Conbraco) (Incls. Items 23, 24, & 25) (Alternate to Item 9).....	1
23	00-749802-00001	Cap.....	1
24	00-749802-00002	Gasket.....	1
25	00-749802-00003	Screen (80 Mesh).....	1

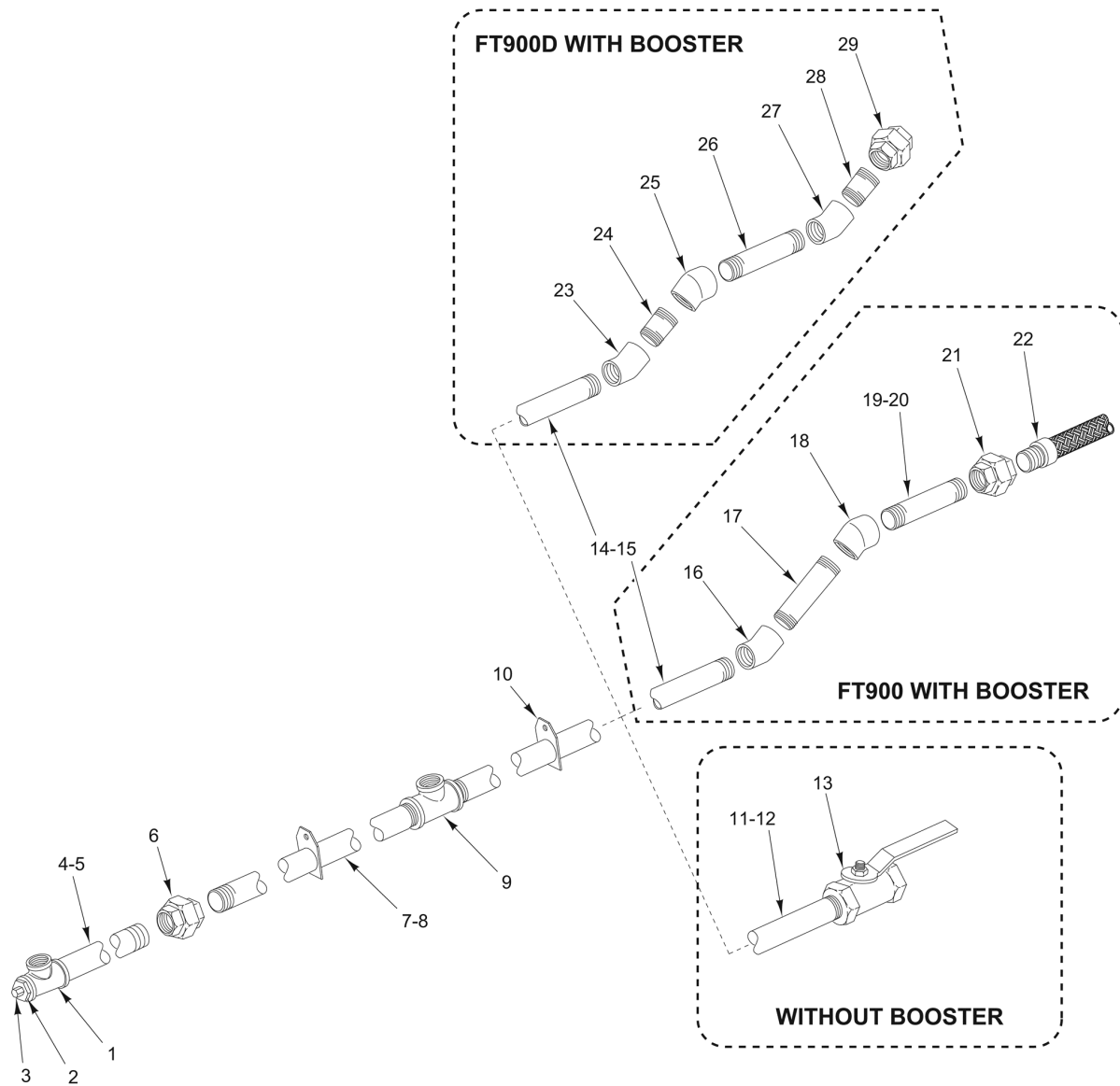
* Kitz line strainer is approx. 1/4" shorter than Apollo / Conbraco.



**PIPING
(COMMON STEAM)
(FT900 AND FT900D)**

**PIPING
(COMMON STEAM)
(FT900 AND FT900D)**

ILLUS. PL-55229	PART NO.	NAME OF PART	AMT.
1	FP-019-75	Tee 1 x 3/4 x 3/4 Reducing.....	1
2	FP-026-65	Bushing - Pipe 3/4 to 1/4.....	1
3	FP-028-06	Pipe Plug 1/4 Sq. Hd.....	1
4	FP-080-80	Pipe 1 x 46-1/4 TBE.....	1
5	FP-019-42	Tee - Pipe 1 x 1 x 3/4.....	1
6	00-476677	Bracket - Pipe Support.....	2
7	FP-075-90	Pipe 1 x 39-1/2 TBE (R-L).....	1
8	FP-059-51	Pipe 1 x 4-1/2 TBE (L-R).....	1
9	FP-013-25	Elbow 1 x 45 Deg.....	1
10	FP-036-21	Pipe 1 x 3-1/2 TBE.....	1
11	FP-013-25	Elbow 1 x 45 Deg.....	1
12	FP-059-32	Pipe 1 x 2-1/2 TBE (R-L).....	1
13	FP-059-51	Pipe 1 x 4-1/2 TBE (L-R).....	1
14	FP-022-23	Union - Pipe (1 In.).....	1
15	00-476396	Hose - Steam Braided (SST) (1 In.).....	1
16	00-892149	Valve 1 In. Ball.....	1
17	FP-067-55	Pipe 1 x 42-1/4 TBE (R-L).....	1
18	FP-059-72	Pipe 1 x 8-1/2 TBE (L-R).....	1



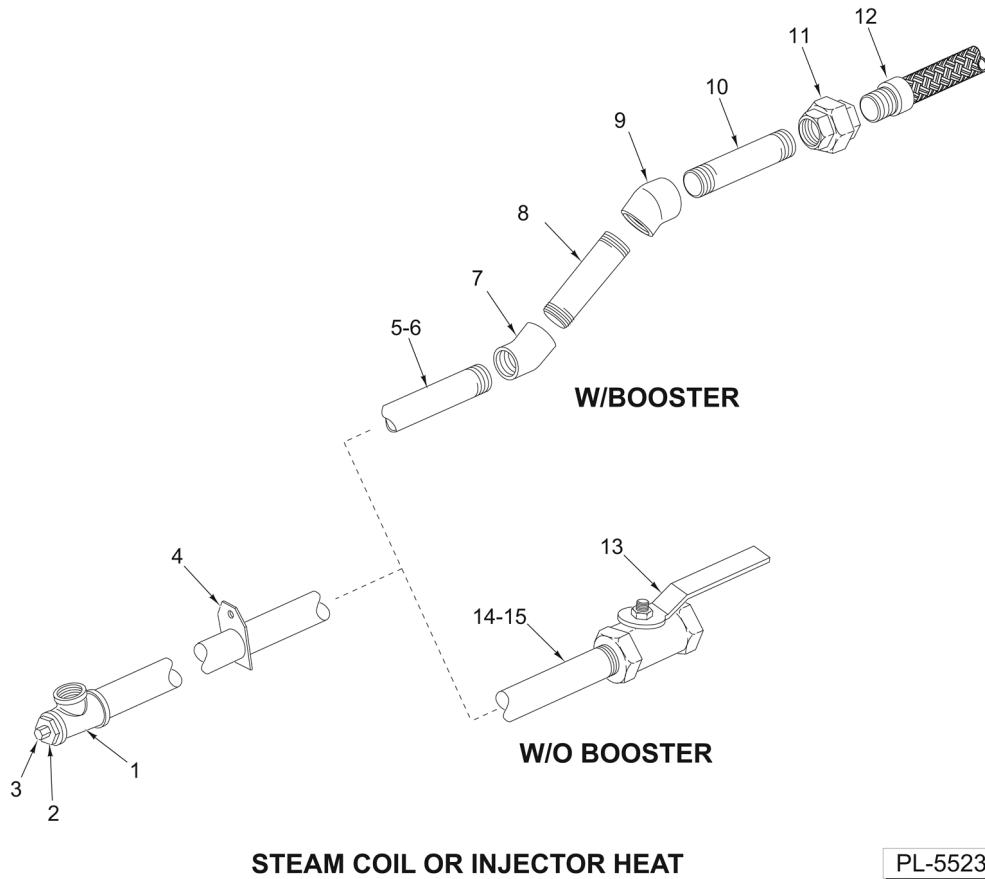
STEAM COIL OR INJECTOR HEAT

PL-60326

**PIPING
(COMMON STEAM)
(SPLIT CENTER)
(FT900 AND FT900D)**

**PIPING
(COMMON STEAM)
(SPLIT CENTER)
(FT900 AND FT900D)**

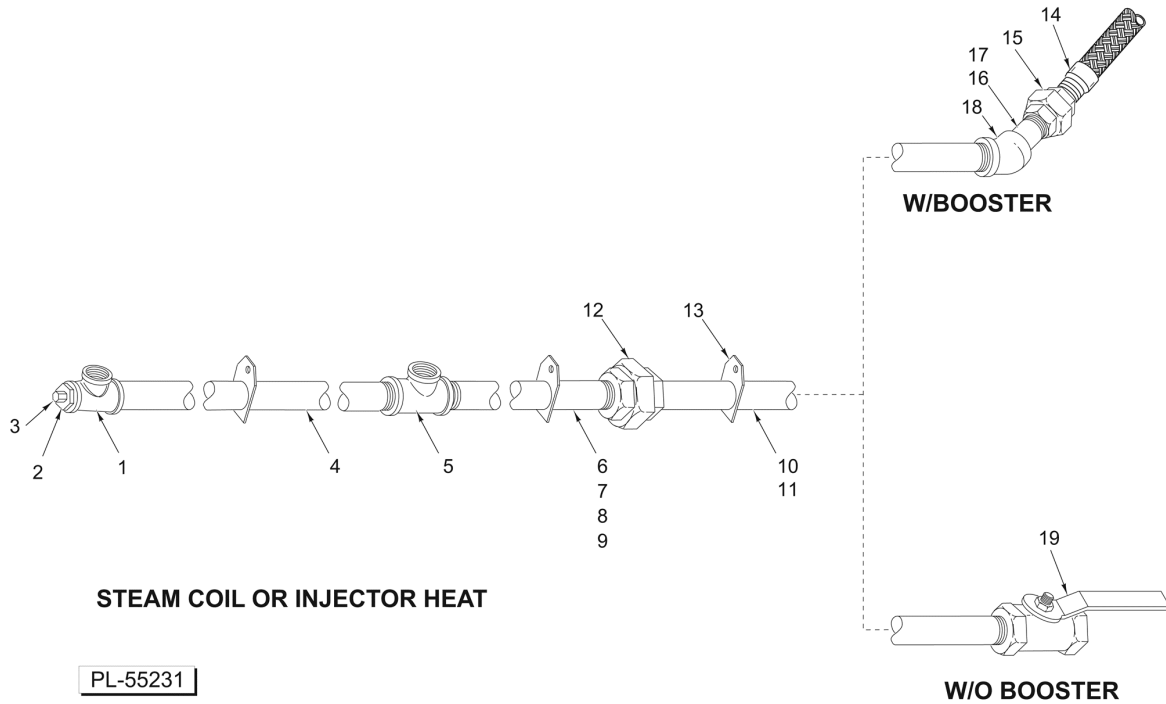
ILLUS.	PART NO.	NAME OF PART	AMT.
PL-60326			
1	FP-019-75	Tee 1 x 3/4 x 3/4 Reducing.....	1
2	FP-026-65	Bushing - Pipe 3/4 to 1/4.....	1
3	FP-028-06	Pipe Plug 1/4 Sq. Hd.....	1
4	FP-075-90	Pipe 1 x 39-1/2 TBE (R-L).....	1
5	FP-059-42	Pipe 1 x 6 TBE (L-R).....	1
6	FP-022-23	Union - Pipe (1 In.).....	1
7	FP-059-42	Pipe 1 x 6 TBE (R-L).....	1
8	FP-075-90	Pipe 1 x 39-1/2 TBE (L-R).....	1
9	FP-019-42	Tee - Pipe 1 x 1 x 3/4.....	1
10	00-476677	Bracket - Pipe Support.....	AR
11	FP-067-55	Pipe 1 x 42-1/4 TBE (R-L).....	1
12	FP-059-72	Pipe 1 x 8-1/2 TBE (L-R).....	1
13	00-892149	Valve 1 In. Ball.....	1
14	FP-075-90	Pipe 1 x 39-1/2 TBE (R-L).....	1
15	FP-059-51	Pipe 1 x 4-1/2 TBE (L-R).....	1
16	FP-013-25	Elbow 1 x 45 Deg.....	1
17	FP-036-21	Pipe 1 x 3-1/2 TBE.....	1
18	FP-013-25	Elbow 1 x 45 Deg.....	1
19	FP-059-32	Pipe 1 x 2-1/2 TBE (R-L) (FT900).....	1
20	FP-059-51	Pipe 1 x 4-1/2 TBE (L-R) (FT900).....	1
21	FP-022-23	Union - Pipe (1 In.).....	1
22	00-476396	Hose - Steam Braided (SST) (1 In.).....	1
23	FP-013-25	Elbow 1 x 45 Deg.....	1
24	FP-059-32	Pipe 1 x 2-1/2 TBE.....	1
25	FP-013-25	Elbow 1 x 45 Deg.....	1
26	FP-059-51	Pipe 1 x 4-1/2 TBE.....	1
27	FP-013-25	Elbow 1 x 45 Deg.....	1
28	FP-059-32	Pipe 1 x 2-1/2 TBE.....	1
29	FP-022-23	Union - Pipe (1 In.).....	1



**PIPING
(COMMON STEAM)
(FT900S AND FT900SD)**

**PIPING
(COMMON STEAM)
(FT900S AND FT900SD)**

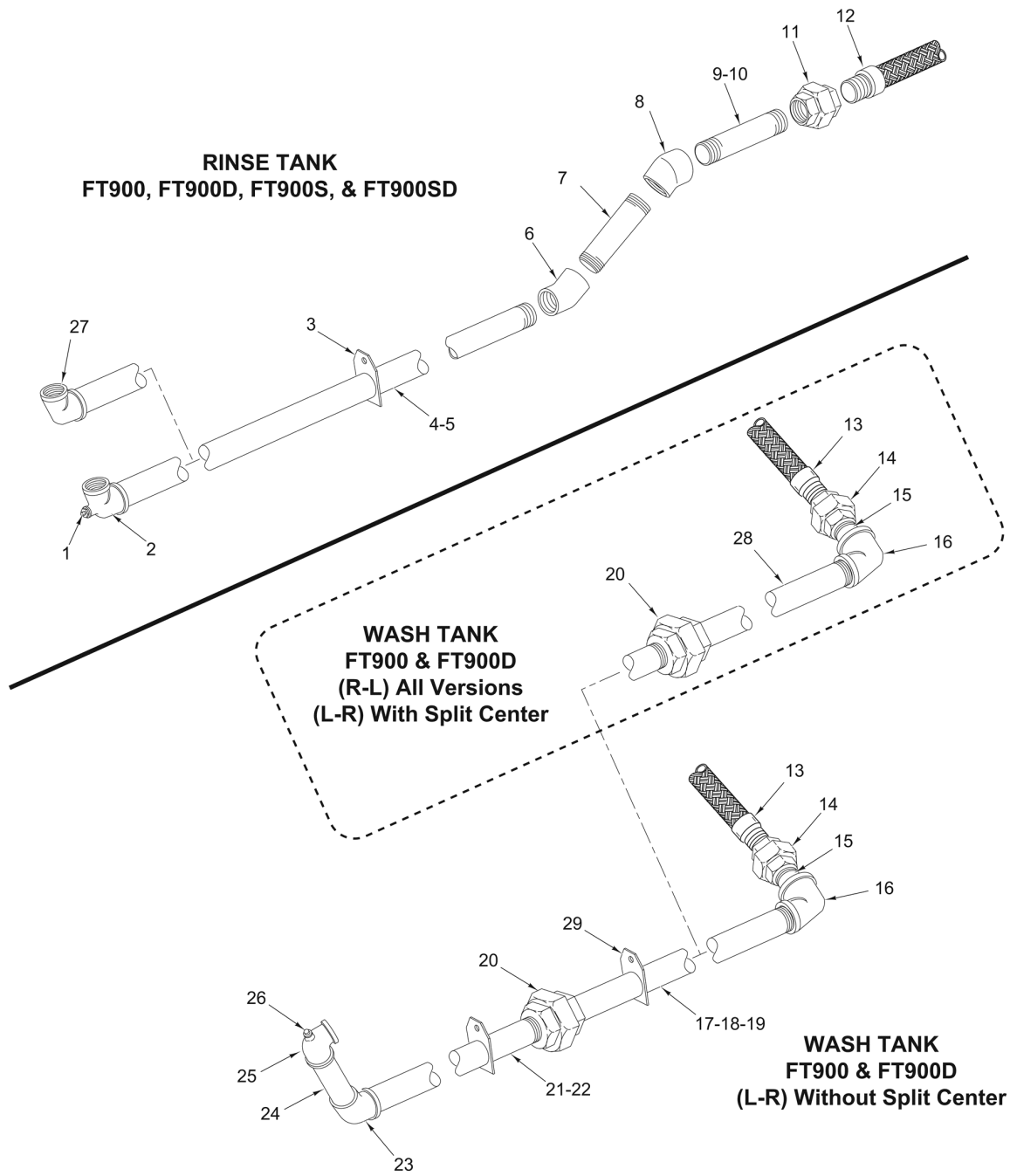
ILLUS.	PART NO.	NAME OF PART	AMT.
PL-55230			
1	FP-019-42	Tee - Pipe 1 x 1 x 3/4.....	1
2	FP-026-79	Bushing - Pipe 3/4 to 1/4.....	1
3	FP-028-06	Pipe Plug 1/4 Sq. Hd.....	1
4	00-476677	Bracket - Pipe Support.....	1
5	FP-075-90	Pipe 1 x 39-1/2 TBE (R-L).....	1
6	FP-059-42	Pipe 1 x 6 TBE (L-R).....	1
7	FP-013-25	Elbow 1 x 45 Deg.....	1
8	FP-036-21	Pipe 1 x 3-1/2 TBE.....	1
9	FP-013-25	Elbow 1 x 45 Deg.....	1
10	FP-059-32	Pipe 1 x 2-1/2 TBE.....	1
11	FP-022-23	Union - Pipe (1 In.).....	1
12	00-476396	Hose - Steam Braided (SST) (1 In.).....	1
13	00-892149	Valve 1 In. Ball.....	1
14	FP-067-55	Pipe 1 x 42-1/4 TBE (R-L).....	1
15	FP-059-72	Pipe 1 x 8-1/2 TBE (L-R).....	1



**PIPING
(COMMON STEAM) (FT900W)**

**PIPING
(COMMON STEAM) (FT900W)**

ILLUS. PL-55231	PART NO.	NAME OF PART	AMT.
1	FP-019-75	Tee 1 x 3/4 x 3/4 Reducing.....	1
2	FP-026-65	Bushing - Pipe 3/4 to 1/4.....	1
3	FP-028-06	Pipe Plug 1/4 Sq. Hd.....	1
4	FP-080-80	Pipe 1 x 46-1/4 TBE.....	1
5	FP-019-42	Tee - Pipe 1 x 1 x 3/4.....	1
6	FP-080-80	Pipe 1 x 46-1/4 TBE (R-L) (With Booster).....	1
7	FP-059-51	Pipe 1 x 4-1/2 TBE (L-R) (With Booster).....	1
8	FP-067-55	Pipe 1 x 42-1/4 TBE (R-L) (Without Booster).....	1
9	FP-059-72	Pipe 1 x 8-1/2 TBE (L-R) (Without Booster).....	1
10	FP-080-60	Pipe 1 x 25-3/4 TBE (R-L).....	1
11	FP-081-80	Pipe 1 x 33 TBE (L-R).....	1
12	FP-022-23	Union - Pipe (1 In.).....	1
13	00-476677	Bracket - Pipe Support.....	3
14	00-476396	Hose - Steam Braided (SST) (1 In.).....	1
15	FP-022-23	Union - Pipe (1 In.).....	1
16	FP-059-72	Pipe 1 x 8-1/2 TBE (R-L).....	1
17	FP-059-51	Pipe 1 x 4-1/2 TBE (L-R).....	1
18	FP-013-25	Elbow 1 x 45 Deg.....	1
19	00-892149	Valve 1 In. Ball.....	1



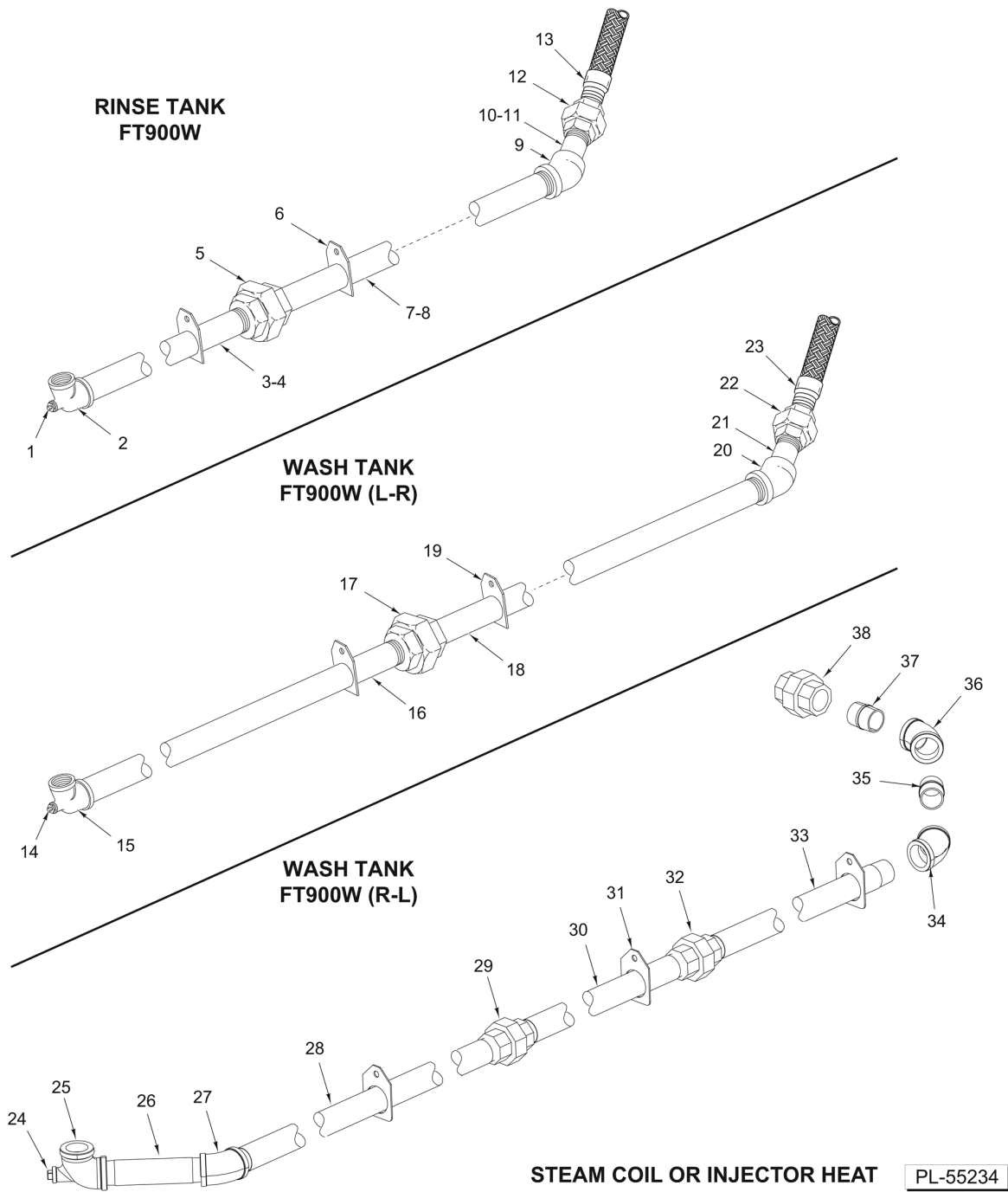
DOUBLE STEAM INJECTOR HEAT

PL-55233

PIPING
(COMMON STEAM)
(DOUBLE STEAM INJECTOR HEAT)

**PIPING
(COMMON STEAM)
(DOUBLE STEAM INJECTOR HEAT)**

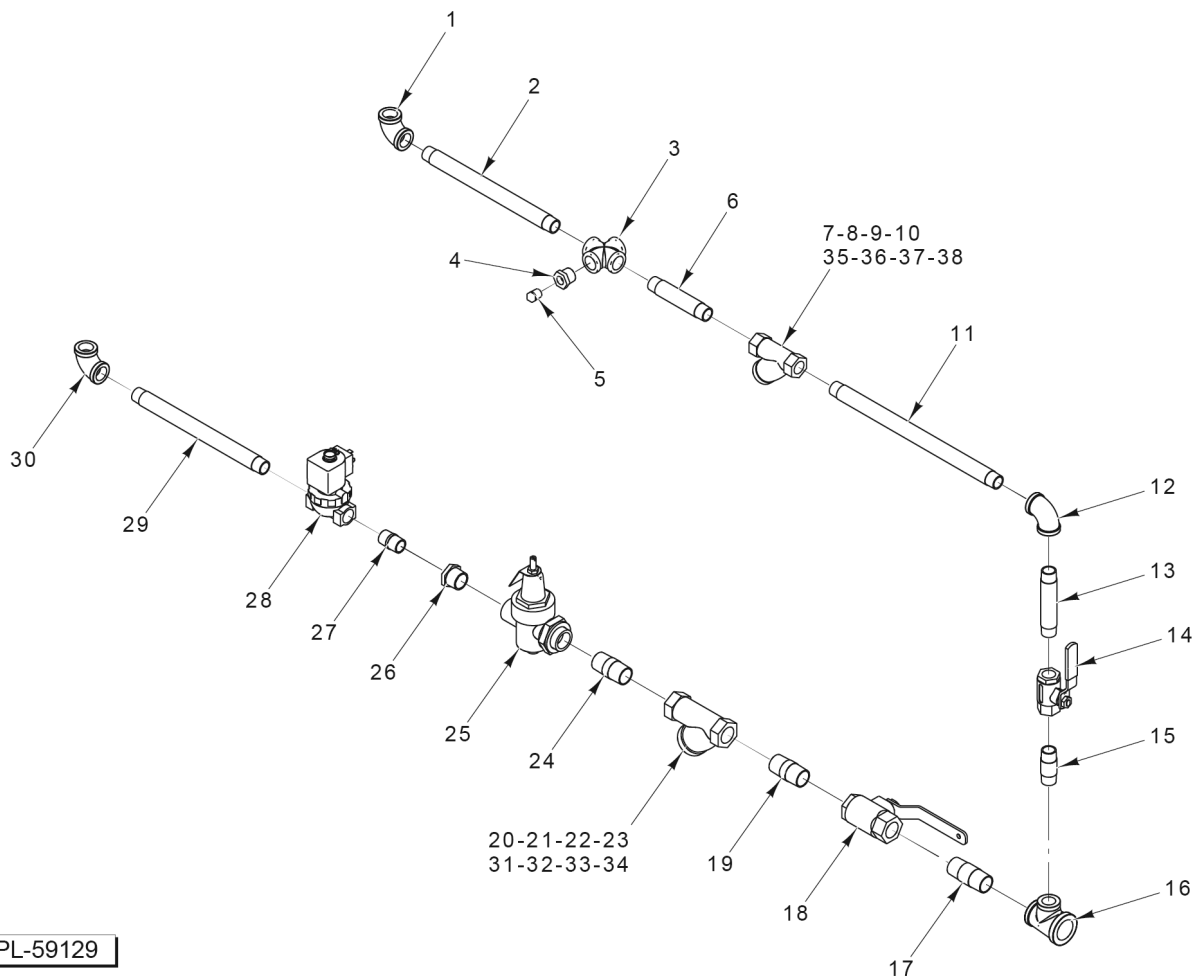
ILLUS. PL-55233	PART NO.	NAME OF PART	AMT.
1	FP-028-06	Pipe Plug 1/4 Sq. Hd.....	1
2	FP-019-81	Tee - Pipe 1 x 1/4 x 1.....	1
3	00-476677	Bracket - Pipe Support.....	1
4	FP-075-90	Pipe 1 x 39-1/2 TBE (R-L).....	1
5	FP-059-42	Pipe 1 x 6 TBE (L-R).....	1
6	FP-013-25	Elbow 1 x 45 Deg.....	AR
7	FP-036-21	Pipe 1 x 3-1/2 TBE.....	1
8	FP-013-25	Elbow 1 x 45 Deg.....	AR
9	FP-059-51	Pipe 1 x 4-1/2 TBE (L-R).....	1
10	FP-059-32	Pipe 1 x 2-1/2 TBE (R-L).....	1
11	FP-022-23	Union - Pipe (1 In.).....	1
12	00-476396	Hose - Steam Braided (SST) (1 In.).....	1
13	00-476396	Hose - Steam Braided (SST) (1 In.).....	1
14	FP-022-23	Union - Pipe (1 In.).....	1
15	FP-036-17	Pipe 1 x 1-1/2 TBE.....	1
16	FP-013-27	Elbow - Pipe 1 x 90 Deg.....	AR
17	FP-075-90	Pipe 1 x 39-1/2 TBE (R-L).....	1
18	FP-059-29	Pipe 1 x 53 TBE (L-R).....	1
19	FP-080-80	Pipe 1 x 46-1/4 TBE (L-R, Split Center).....	1
20	FP-022-23	Union - Pipe (1 In.).....	1
21	FP-067-55	Pipe 1 x 42-1/4 TBE (R-L).....	1
22	FP-059-42	Pipe 1 x 6 TBE (L-R).....	1
23	FP-013-25	Elbow 1 x 45 Deg.....	AR
24	FP-059-42	Pipe 1 x 6 TBE.....	1
25	FP-019-81	Tee - Pipe 1 x 1/4 x 1.....	1
26	FP-028-06	Pipe Plug 1/4 Sq. Hd.....	1
27	FP-013-27	Elbow - Pipe 1 x 90 Deg.....	1
28	FP-059-38	Pipe 1 x 5 TBE.....	1
29	00-476677	Bracket - Pipe Support.....	AR



**PIPING
(COMMON STEAM)
(DOUBLE) (FT900W)**

**PIPING
(COMMON STEAM)
(DOUBLE) (FT900W)**

ILLUS. PL-55234	PART NO.	NAME OF PART	AMT.
1	FP-028-06	Pipe Plug 1/4 Sq. Hd.....	1
2	FP-019-81	Tee - Pipe 1 x 1/4 x 1.....	1
3	FP-080-80	Pipe 1 x 46-1/4 TBE (R-L).....	1
4	FP-059-38	Pipe 1 x 5 TBE (L-R).....	1
5	FP-022-23	Union - Pipe (1 In.).....	1
6	00-476677	Bracket - Pipe Support.....	AR
7	FP-080-60	Pipe 1 x 25-3/4 TBE (R-L).....	1
8	FP-075-90	Pipe 1 x 39-1/2 TBE (L-R).....	1
9	FP-013-25	Elbow 1 x 45 Deg.....	1
10	FP-059-51	Pipe 1 x 4-1/2 TBE (R-L).....	1
11	FP-059-72	Pipe 1 x 8-1/2 TBE (L-R).....	1
12	FP-022-23	Union - Pipe (1 In.).....	1
13	00-476396	Hose - Steam Braided (SST) (1 In.).....	1
14	FP-028-06	Pipe Plug 1/4 Sq. Hd.....	1
15	FP-019-81	Tee - Pipe 1 x 1/4 x 1.....	1
16	FP-059-29	Pipe 1 x 53 TBE.....	1
17	FP-022-23	Union - Pipe (1 In.).....	2
18	FP-081-80	Pipe 1 x 33 TBE.....	1
19	00-476677	Bracket - Pipe Support.....	AR
20	FP-013-25	Elbow 1 x 45 Deg.....	1
21	FP-059-72	Pipe 1 x 8-1/2 TBE.....	1
22	FP-022-23	Union - Pipe (1 In.).....	1
23	00-476396	Hose - Steam Braided (SST) (1 In.).....	1
24	FP-028-06	Pipe Plug 1/4 Sq. Hd.....	1
25	FP-019-81	Tee - Pipe 1 x 1/4 x 1.....	1
26	FP-058-64	Pipe 1 x 6 TBE.....	1
27	FP-013-25	Elbow 1 x 45 Deg.....	1
28	FP-080-80	Pipe 1 x 46-1/4 TBE.....	1
29	FP-022-23	Union - Pipe (1 In.).....	1
30	FP-080-80	Pipe 1 x 46-1/4 TBE.....	1
31	00-476677	Bracket - Pipe Support.....	AR
32	FP-022-23	Union - Pipe (1 In.).....	1
33	FP-081-80	Pipe 1 x 33 TBE.....	1
34	FP-013-25	Elbow 1 x 45 Deg.....	1
35	FP-036-17	Pipe 1 x 1-1/2 TBE.....	1
36	FP-013-25	Elbow 1 x 45 Deg.....	1
37	FP-036-17	Pipe 1 x 1-1/2 TBE.....	1
38	FP-022-23	Union - Pipe (1 In.).....	1



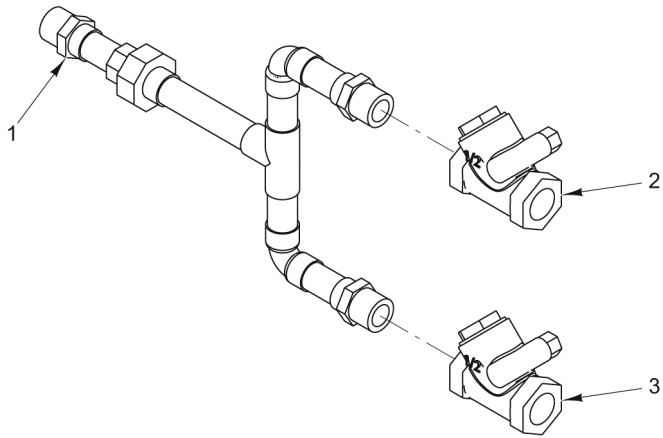
**FILL AND BOOSTER PIPING
(HOT WATER)
(ENERGY RECOVERY)**

**FILL AND BOOSTER PIPING
(HOT WATER)
(ENERGY RECOVERY)**

ILLUS.	PART NO.	NAME OF PART	AMT.
PL-59129			
1	FP-015-16	Elbow - Pipe 1/2 x 90 Deg. (Brass).....	1
2	FP-041-08	Pipe 1/2 x 9-3/8 TBE (Brass).....	1
3	FP-034-02	Cross - Pipe 1/2 x 1/2 x 1/2 x 1/2 (Brass).....	1
4	FP-027-07	Bushing - Pipe 1/2 to 1/4 (Brass).....	2
5	FP-028-07	Pipe Plug 1/4 Sq. Hd. (Brass).....	2
6	FP-040-73	Pipe 1/2 x 4 TBE (Brass).....	1
*7	00-270258	Strainer - Line (1/2) (Brass) (Kitz) (Incls. Items 8, 9, & 10) (Alternate to Item 35).....	1
8	00-270259	Plug - Branch.....	1
9	00-270260	Screen - Strainer (1/2 In.).....	1
10	00-270261	Gasket.....	1
11	FP-041-16	Pipe 1/2 x 12 TBE (Brass).....	1
12	FP-015-16	Elbow - Pipe 1/2 x 90 Deg. (Brass).....	1
13	FP-040-73	Pipe 1/2 x 4 TBE (Brass).....	1
14	00-893520	Ball Valve 1/2.....	1
15	FP-040-50	Pipe 1/2 x 2 TBE (Brass).....	1
16	FP-090-13	Tee - Pipe 1 x 3/4 x 1/2 (Brass).....	1
17	FP-041-58	Pipe 3/4 x 2-3/8 TBE (Brass).....	1
18	00-223220-00003	Valve 3/4 In. Ball.....	1
19	FP-041-54	Pipe 3/4 x 2 (Brass).....	1
**20	00-186922	Strainer - Line (3/4 In.) (Brass) (Kitz) (Incls. Items 21, 22, & 23) (Alternate to Item 31).....	1
21	00-186923	Plug - Branch.....	1
22	00-186924	Gasket - Branch Plug.....	1
23	00-186925	Screen - Line Strainer.....	1
24	FP-041-54	Pipe 3/4 x 2 (Brass).....	1
25	00-893294-00003	Valve - Pressure Reducing (3/4 In. With Strainer).....	1
26	FP-027-22	Bushing - Pipe 3/4 to 1/2 (Brass).....	1
27	FP-040-43	Pipe 1/2 x 1-1/4 TBE (Brass).....	1
28	00-893100-00001	Solenoid Valve (1/2) (120 V.).....	1
29	FP-041-08	Pipe 1/2 x 9-3/8 TBE (Brass).....	1
30	FP-015-16	Elbow - Pipe 1/2 x 90 Deg. (Brass).....	1
**31	00-186922	Strainer - Line (3/4 In.) (Brass) (Apollo / Conbraco) (Incls. Items 32, 33, & 34) (Alternate to Item 20).....	1
32	00-749802-00001	Cap.....	1
33	00-749802-00002	Gasket.....	1
34	00-749802-00003	Screen (80 Mesh).....	1
*35	00-892921	Strainer - Line (1/2) (Brass) (Conbraco) (Incls. Items 36 37, & 38) (Alternate to Item 7).....	1
36	00-892922-00001	Cap.....	1
37	00-892922-00002	Gasket.....	1
38	00-892922-00003	Screen.....	1

* Kitz 1/2-inch line strainer is approx. 0.43 inches longer than Conbraco.

** Kitz 3/4-inch line strainer is approx. 1/4" shorter than Apollo / Conbraco.



PL-59023

**PIPING
(BOOSTER INLET)
(ENERGY RECOVERY)**

**PIPING
(BOOSTER INLET)
(ENERGY RECOVERY)**

ILLUS. PL-59023	PART NO.	NAME OF PART	AMT.
1	00-936697	Piping Assy. - Booster Inlet (Incls. Items 2 & 3).....	1
2	00-084071	Valve - Check 1/2.....	1
3	00-084071	Valve - Check 1/2.....	1

