



CATALOG OF REPLACEMENT PARTS



FT900 SERIES DISHWASHER LOAD SECTION

ML-110668

**PRIOR MLS COVERED IN THIS
MANUAL**

ML-110672

ML-110673

ML-110674

ML-110675

ML-110870

ML-110871

ML-110876

ML-110877

ML-110881

ML-110882

ML-110938

ML-110939

ML-110940

ML-110941

ML-110942

ML-110943

ML-110944

ML-110945

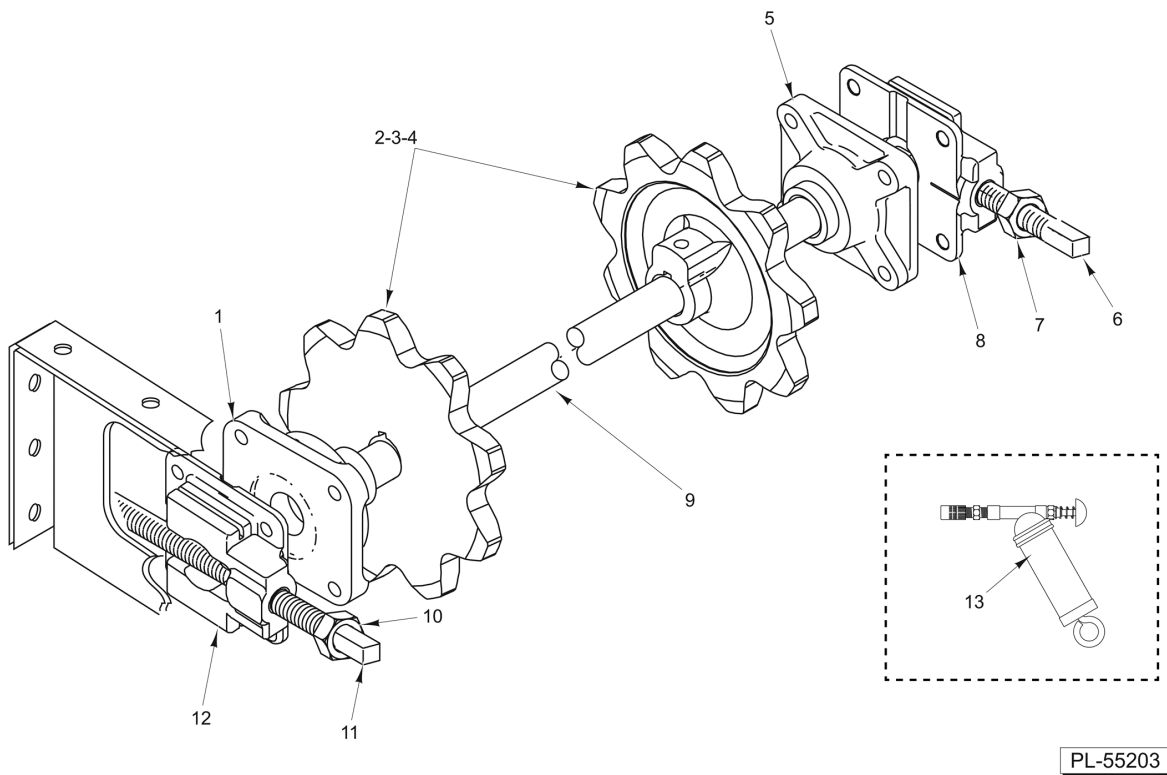
ML-110946

ML-110947

**See F43148 for FT900 SERIES
DISHWASHER CENTER SECTION and
See F43149 for FT900 SERIES
DISHWASHER UNLOAD SECTION**

Table of Contents

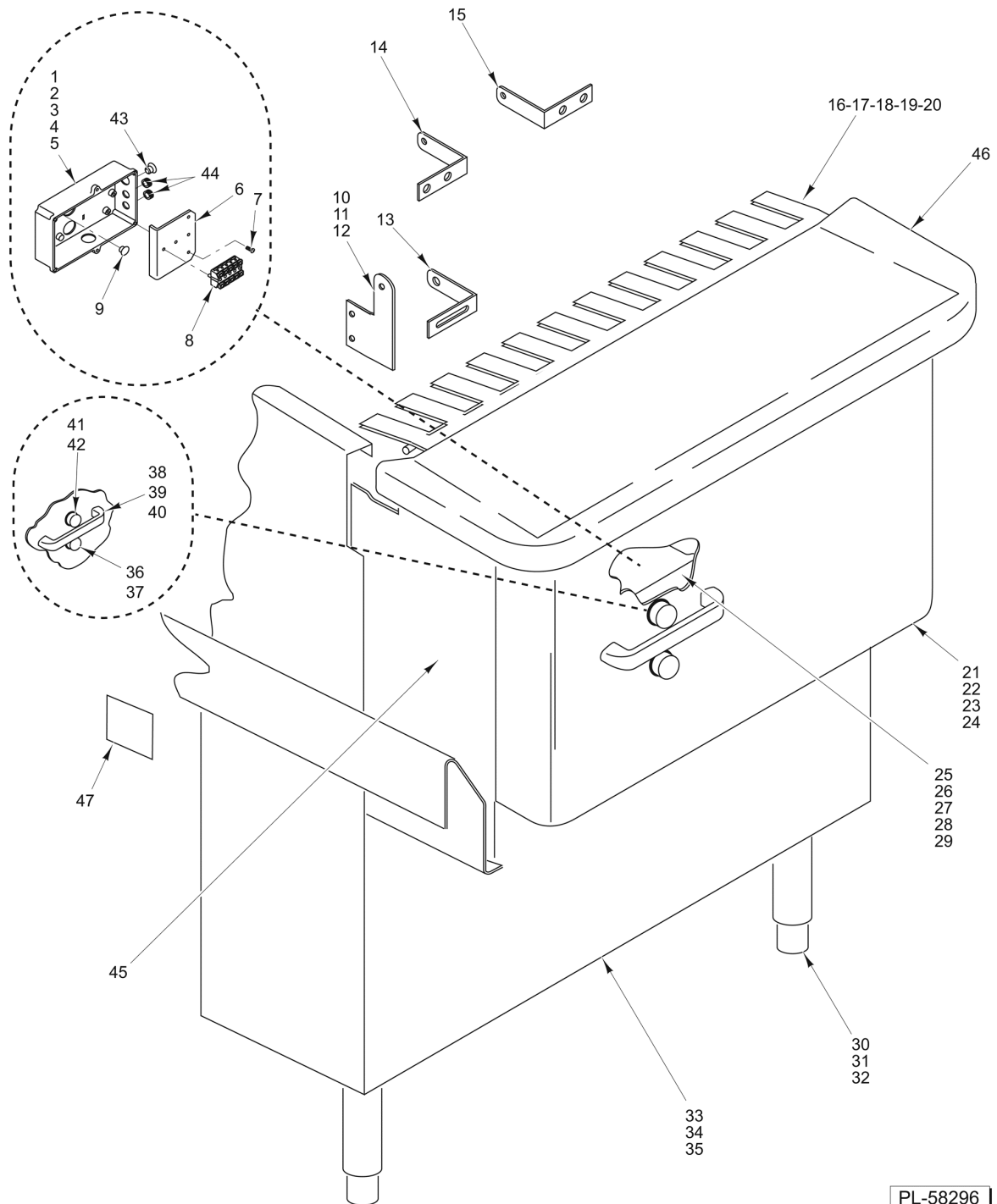
5 CONVEYOR TAKE-UP UNIT
 7 LOAD PLATFORM
 9 PUMP AND MOTOR ON DUAL TANK UNIT (TANK 1)
 11 PREWASH SYSTEM (PUMP & MOTOR)
 13 PREWASH SYSTEM (WASH ARMS)
 15 PREWASH SYSTEM (MANIFOLD)
 17 FLUSH ARM UNIT
 19 OVERFLOW UNIT (PREWASH SECTION)
 21 DRAIN UNIT (PREWASH SECTION)
 23 DRAIN WATER TEMPERING
 25 SLIDING DOORS (PREWASH SECTION)
 27 FULL DOOR LATCH
 29 CURTAINS, STRAINERS, AND BAFFLES (PREWASH SECTION)
 31 HINGED DOORS (PREWASH SECTION)
 33 HINGED DOOR ATTACHMENT (PREWASH SECTION)
 35 PANELS AND LOWER TRIM (PREWASH SECTION)
 37 PANELS (PREWASH 5 TO 7 FEET) (PREVIOUS CONSTRUCTION)
 39 PANELS (PREWASH 5 TO 7 FEET) (CURRENT CONSTRUCTION)
 41 PANELS (PREWASH 8 TO 9 FEET) (PREVIOUS CONSTRUCTION)
 43 PANELS (PREWASH 8 TO 9 FEET) (CURRENT CONSTRUCTION)
 45 PANELS (PREWASH 10 TO 14 FEET) (PREVIOUS CONSTRUCTION)
 47 PANELS (PREWASH 10 TO 14 FEET) (CURRENT CONSTRUCTION)
 49 TRACKS (PREWASH 5 TO 7 FEET) (PREVIOUS CONSTRUCTION)
 51 TRACKS (PREWASH 5 TO 7 FEET) (CURRENT CONSTRUCTION)
 53 TRACKS (PREWASH 8 TO 9 FEET) (PREVIOUS CONSTRUCTION)
 55 TRACKS (PREWASH 8 TO 9 FEET) (CURRENT CONSTRUCTION)
 57 TRACKS (PREWASH 10 TO 14 FEET) (PREVIOUS CONSTRUCTION)
 59 TRACKS (PREWASH 10 TO 14 FEET) (CURRENT CONSTRUCTION)
 61 PHOTOELECTRIC EYE AND BRACKET
 63 PHOTOELECTRIC EYE CONTROL BOX (PREVIOUS CONSTRUCTION)
 65 PROBES (PREWASH SECTION)
 67 PREWASH TEMPERATURE CONTROL (PREVIOUS CONSTRUCTION)
 69 PREWASH TEMPERATURE CONTROL (CURRENT CONSTRUCTION)
 71 COLD WATER PIPING
 73 CONTROL BOX WIRE HARNESSSES



CONVEYOR TAKE-UP UNIT

CONVEYOR TAKE-UP UNIT

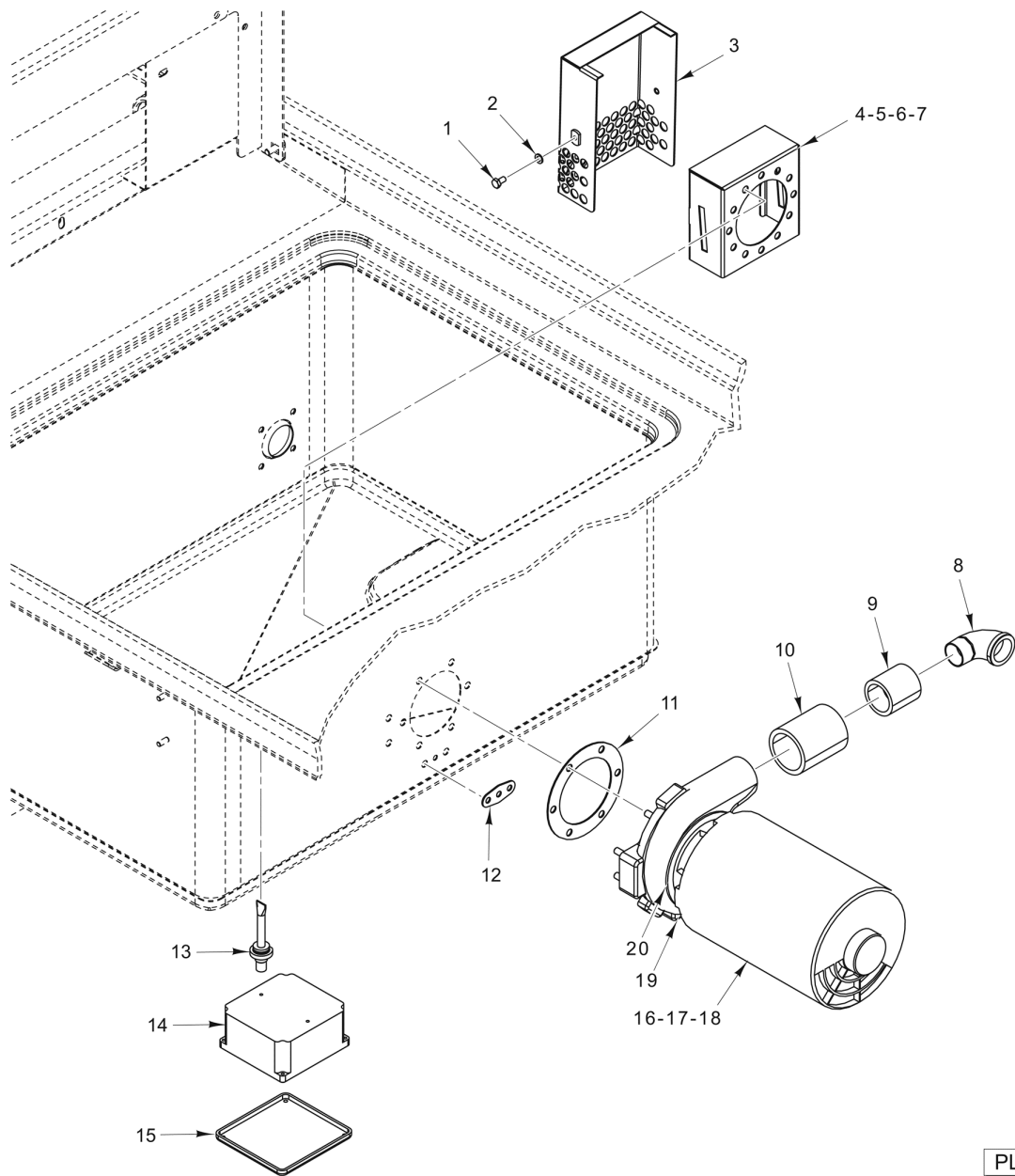
ILLUS.	PART NO.	NAME OF PART	AMT.
PL-55203			
1	00-081656	Bearing - Flange.....	1
2	00-475502-00002	Sprocket - Conveyor (9 Tooth).....	2
3	00-012430-00204	Key 1/4 x 1/4 x 1-3/4.....	2
4	SC-050-15	Set Screw 3/8-16 x 7/8 Oval. (SST).....	2
5	00-081656	Bearing - Flange.....	1
6	00-475977	Weldment - Screw Adjustment.....	1
7	NS-018-38	Jam Nut 3/4-10 Hex (SST).....	1
8	00-476006	Guide - Bearing Support.....	1
9	00-475790	Shaft - Conveyor (Load).....	1
10	NS-018-38	Jam Nut 3/4-10 Hex (SST).....	1
11	00-475977	Weldment - Screw Adjustment.....	1
12	00-476006	Guide - Bearing Support.....	1
13	00-748493	Gun - Grease.....	1



LOAD PLATFORM

LOAD PLATFORM

ILLUS.	PART NO.	NAME OF PART	AMT.
	PL-58296		
1	00-918574	Box - Switch (New Controls).....	1
2	00-918575-00001	Box - Switch (Start/Stop) (R-L) (New Controls) (Incls. Items 1, 6 thru 9, 43, & 44).....	1
3	00-918575-00002	Box - Switch (Start/Stop) (L-R) (New Controls) (Incls. Items 1, 6 thru 9, 43, & 44).....	1
4	00-289146-00001	Lid & Gasket Assy.....	1
5	SD-012-20	Self-Tapping Screw 8-32 x 1/2 Phil. Truss Hd., Type T.....	6
6	00-918578	Plate - Terminal Block.....	1
7	SD-012-04	Self-Tapping Screw 8-32 x 3/8 Phil. Truss Hd., Type T.....	2
8	00-918385	Block - Terminal (5-Pole).....	1
9	PB-005-17	Plug - Button.....	1
10	00-475985	Plate - Pivot Load Platform (Previous Construction).....	2
11	00-893901-00001	Plate - Pivot Load Platform (LH) (Current Construction).....	1
12	00-893901-00002	Plate - Pivot Load Platform (RH) (Current Construction).....	1
13	00-892617	Bracket - Finger Mounting.....	2
14	00-475990-00001	Bracket - Finger Mounting (Previous Construction).....	1
15	00-475990-00002	Bracket - Finger Mounting (Previous Construction).....	1
16	00-892614	Load Fingers Assy. (Type A) (Current Construction).....	1
17	00-475984	Load Fingers Assy. (Type AA) (Previous Construction).....	1
18	00-892558	Load Fingers Assy. (Type BB) (Previous Construction).....	1
19	00-893245	Load Fingers Assy. (Type BB) (Current Construction).....	1
20	00-892645-00004	Load Fingers Assy. (Type Y).....	1
21	00-476747-00001	Bracket - Start/Stop (Load R-L) (Horizontal Switches).....	1
22	00-893297-00001	Bracket - Start/Stop (Load R-L) (Vertical Switches).....	1
23	00-476747-00002	Bracket - Start/Stop (Load L-R) (Horizontal Switches).....	1
24	00-893297-00002	Bracket - Start/Stop (Load L-R) (Vertical Switches).....	1
25	00-476654	Box - Switch (Start/Stop) (Horizontal Switches).....	1
26	00-893295	Box - Switch (Start/Stop) (Vertical Switches Without New Controls).....	1
27	00-288465	Lid & Gasket Assy.....	1
28	SD-012-20	Self-Tapping Screw 8-32 x 1/2 Phil. Truss Hd., Type T.....	4
29	FE-022-84	Connector - Strain Relief.....	1
30	00-475874	Foot.....	4
31	00-475879	Leg Weldment (End of Load Section).....	1
32	00-475879-00002	Leg Weldment (Center of Load Section).....	AR
33	00-748758	Panel - Load End (Current Construction).....	1
34	00-475943-00001	Panel - Load End (R-L) (Previous Construction).....	1
35	00-475943-00002	Panel - Load End (L-R) (Previous Construction).....	1
36	00-749986-00004	Block - Contact (Start).....	1
37	00-892001	Button - Push (Flush).....	1
38	SC-066-06	Mach. Screw 10-24 x 1/2 Phil. Truss Hd. (SST).....	2
39	WL-014-07	Lockwasher #10 External Shakeproof (SST).....	4
40	00-222559	Handle.....	1
41	00-749986-00003	Block - Contact (Stop).....	1
42	00-749992	Button - Push (Extended).....	1
43	PB-004-08	Plug Button Heyco 2703.....	1
44	FE-025-96	Strain Relief - Electrical.....	2
45	00-475991	Support - Platform.....	1
46	00-475971	Platform Assy. (Load).....	1
47	00-918419	Label - Instruction - Cleaning.....	1

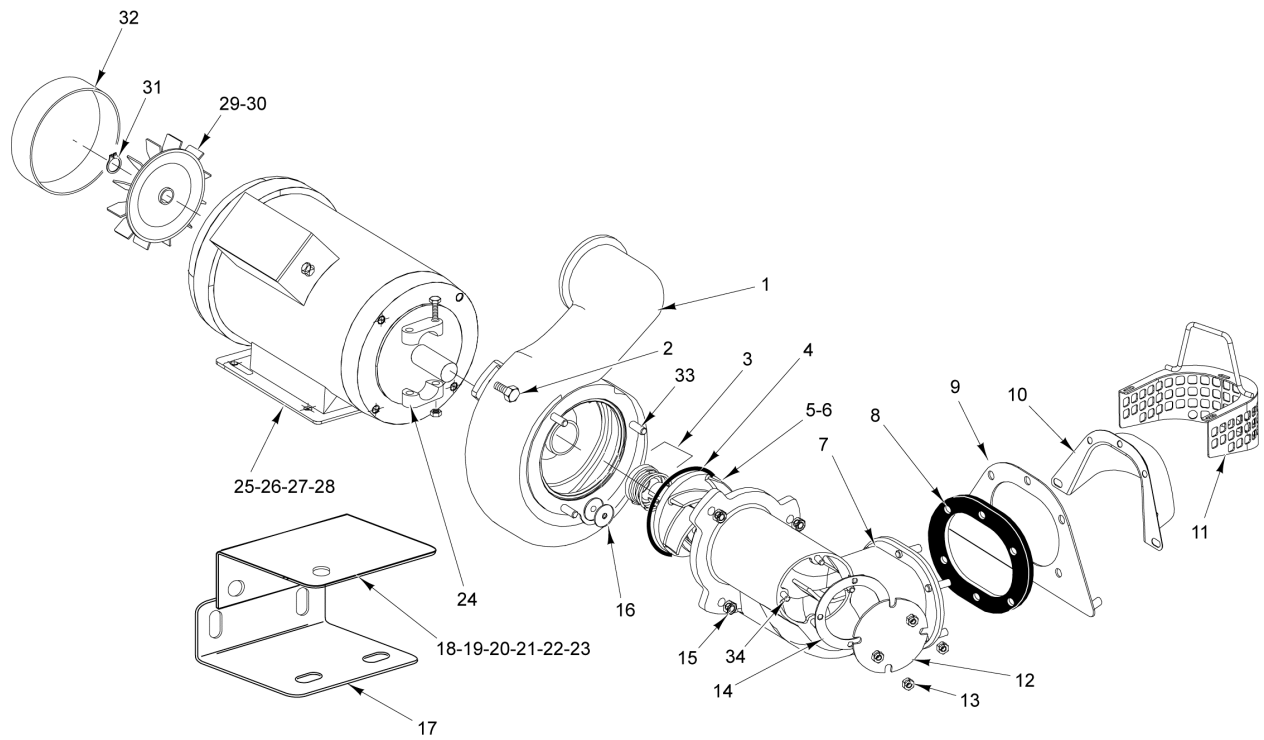


PL-60185

**PUMP AND MOTOR ON DUAL TANK UNIT
(TANK 1)**

**PUMP AND MOTOR ON DUAL TANK UNIT
(TANK 1)**

ILLUS.	PART NO.	NAME OF PART	AMT.
PL-60185			
1	SC-041-51	Cap Screw 3/8-16 x 3-1/4 Hex Hd. (SST).....	2
2	WL-006-17	Lockwasher 1/4 Helical (SST).....	2
3	00-813543	Strainer - Pump.....	1
4	00-813527	Slide - Strainer.....	1
5	NS-015-11	Nut 5/16-18 Hex (SST).....	10
6	WL-006-23	Lockwasher 5/16 Helical (SST).....	10
7	WS-017-01	Washer 0.328 x 0.875 x 0.062 (SST).....	10
8	FP-077-11	Elbow Pipe 1 x 90 Deg (Street).....	1
9	00-748980	Coupling - Reducer.....	1
10	00-748997	Hose - Discharge.....	1
11	00-119050	Gasket.....	1
12	00-119051	Gasket - Pump Drain Hole.....	2
13	00-328486	Probe & Switch Assy. (2 Wire) (Water Level).....	2
14	00-749125	Box - Electrical.....	2
15	00-288465	Lid & Gasket Assy.....	2
16	00-274230-00006	Motor (3 Ph., 60 Hz.) (1 Hp.).....	1
17	00-270950-00009	Pump & Motor Assy. (200-240/380-416 V., 50 Hz., 3 Ph.).....	1
18	00-270950-00019	NLA - Obsolete--Pump & Motor Assy. (208-240 V., 60 Hz., 1 Ph.).....	1
19	00-274227-00006	Seal - Shaft.....	1
20	00-274227-00004	Gasket.....	1

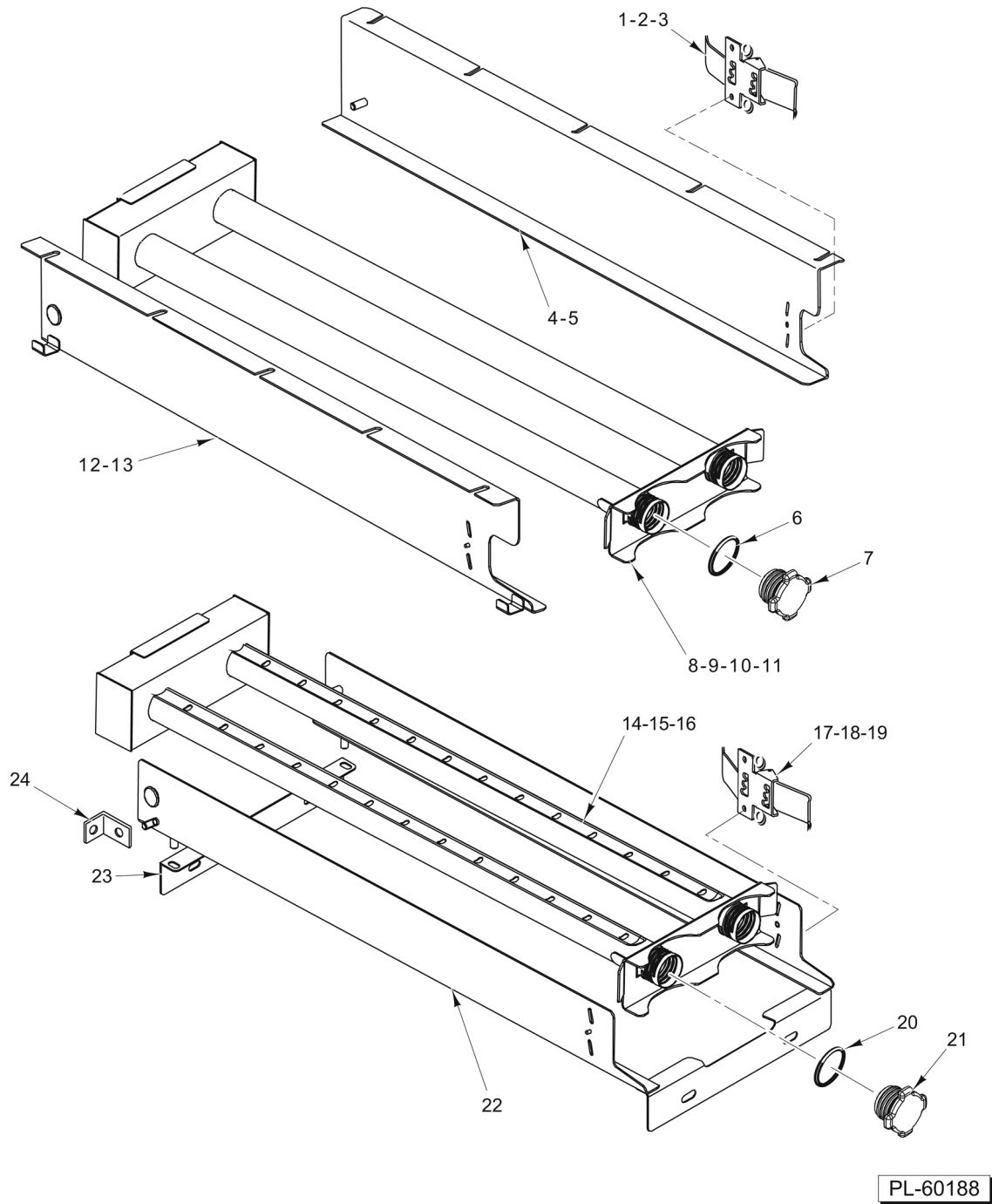


PL-55205

**PREWASH SYSTEM
(PUMP & MOTOR)**

**PREWASH SYSTEM
(PUMP & MOTOR)**

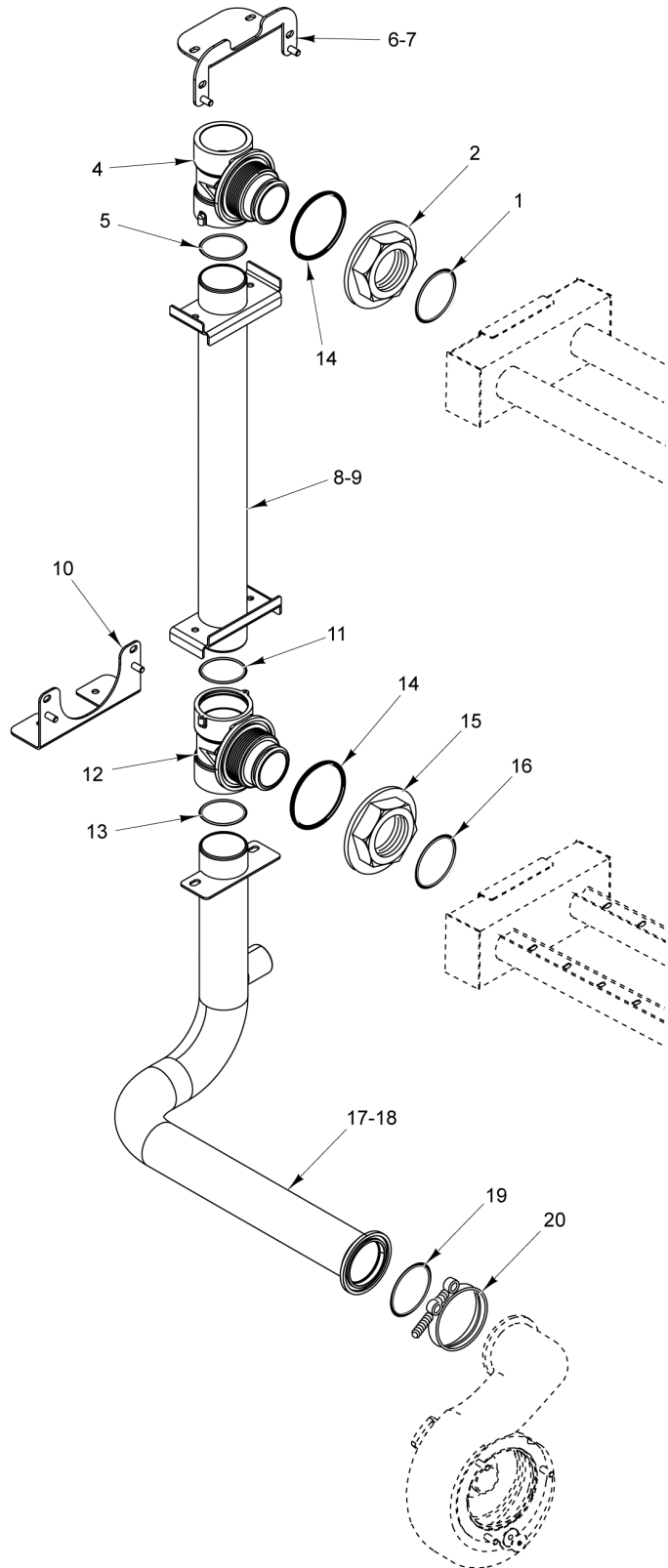
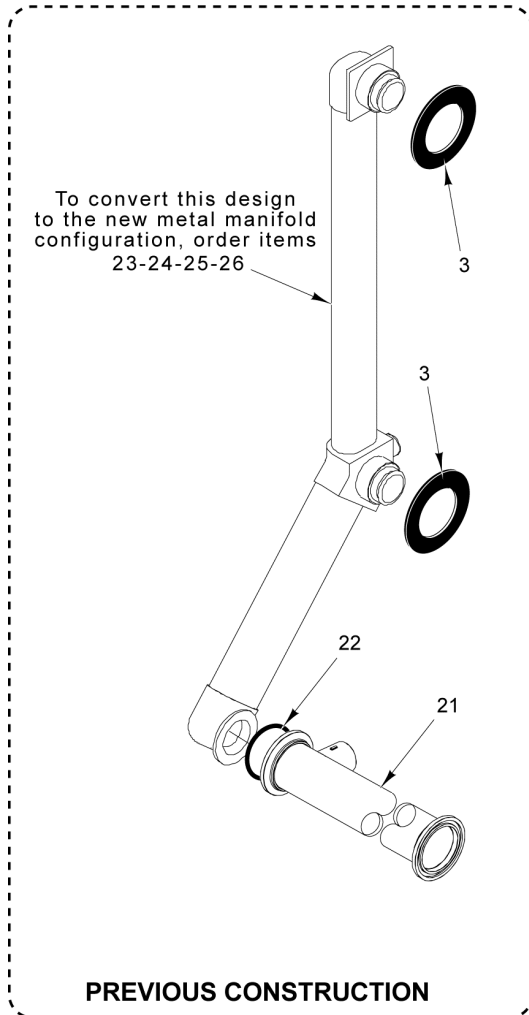
ILLUS.	PART NO.	NAME OF PART	AMT.
PL-55205			
1	00-476738-00006	Housing - Pump (With Studs) (Incls. Item 33).....	1
2	SC-041-29	Cap Screw 3/8-16 x 7/8 Hex Hd. (SST).....	4
3	00-476738-00007	Seal Assy.....	1
4	00-476738-00009	O-Ring - Suction Flange.....	1
5	00-476738-00011	Impeller Assy. (Load, 60 Hz.).....	1
6	00-476738-00010	Impeller Assy- (Load, 50 Hz.).....	1
7	00-476738-00012	Flange - Suction (With Studs) (Incls. Item 34).....	1
8	00-476091	Gasket - Pump.....	1
9	00-476495	Stiffener - Shroud.....	1
10	00-476409	Shroud - Pump.....	1
11	00-476410	Strainer - Pump.....	1
12	00-476738-00014	Plate - Cover (Clean Out).....	1
13	NS-015-01	Nut 1/4-20 Hex (SST).....	4
14	00-476738-00013	Gasket - Clean Out.....	1
15	NS-015-11	Nut 5/16-18 Hex (SST).....	3
16	00-476738-00008	Gasket - Drain.....	1
17	00-748263	Support - Pump Lower.....	1
18	00-748264	Support - Pump Upper (60 Hz.).....	1
19	00-748265	Support - Pump Upper (50 Hz.).....	1
20	SC-041-14	Cap Screw 5/16-18 x 1-1/8 Hex Hd. (SST).....	4
21	WS-017-01	Washer 0.328 x 0.875 x 0.062 (SST).....	8
22	WL-014-31	Lockwasher 1/2 External Shakeproof (SST).....	4
23	NS-031-29	Stop Nut 5/16-18 Hex (SST).....	4
24	00-476738-00005	Clamp.....	1
25	00-476738-00001	Motor (208-230/460/60/3).....	1
26	00-476738-00002	Motor (200-240/380-415/50/3).....	1
27	00-476738-00003	Motor (575/60/3).....	1
28	00-476738-00004	Motor (380/60/3).....	1
29	00-476738-00016	Fan (Leeson).....	1
30	00-476738-00019	Fan (Incls. Retainer, Screw, Lockwasher) (Bluffton).....	1
31	00-476738-00017	Retaining Ring (Leeson).....	1
32	00-476738-00020	Cover - Fan (Incls. Screws & Diverter) (Bluffton).....	1
33	00-919229-00003	Stud 5/16-18 x 1-1/8.....	3
34	00-476738-00018	Stud 1/4-20.....	4



**PREWASH SYSTEM
(WASH ARMS)**

**PREWASH SYSTEM
(WASH ARMS)**

ILLUS. PL-60188	PART NO.	NAME OF PART	AMT.
1	00-476101	Latch - Wash Arm.....	4
2	SC-093-04	Mach. Screw 8-32 x 1/2 Phil. Pan Hd. (SST).....	8
3	NS-031-08	Stop Nut 8-32 Special (SST).....	8
4	00-476102-00004	Support - Upper Wash Arm (L-R, LH, No Clip).....	1
5	00-476102-00003	Support - Upper Wash Arm (R-L, RH, No Clip).....	1
6	00-067500-00127	O-Ring - AS568 Size 124 (1.237 x .103).....	2
7	00-475589	Plug - Wash Arm.....	2
8	00-748515-00001	Wash Arm - Upper Load (R-L) (FT900/FT900W/FT900D).....	1
9	00-892354	Wash Arm - Upper Load (R-L) (FT900S/FT900SD).....	1
10	00-748515-00002	Wash Arm - Upper Load (L-R) (FT900/FT900W/FT900D).....	1
11	00-892496	Wash Arm - Upper Load (L-R) (FT900S/FT900SD).....	1
12	00-476102-00001	Support - Upper Wash Arm (L-R, RH, With Clip).....	1
13	00-476102-00002	Support - Upper Wash Arm (R-L, LH With Clip).....	1
14	00-476112	Wash Arm - Lower Load (FT900/FT900W/FT900D).....	1
15	00-892355	Wash Arm - Lower Load (R-L) (FT900S/FT900SD).....	1
16	00-892487	Wash Arm - Lower Load (L-R) (FT900S/FT900SD).....	1
17	00-476101	Latch - Wash Arm.....	4
18	SC-093-04	Mach. Screw 8-32 x 1/2 Phil. Pan Hd. (SST).....	8
19	NS-031-08	Stop Nut 8-32 Special (SST).....	8
20	00-067500-00127	O-Ring - AS568 Size 124 (1.237 x .103).....	2
21	00-475589	Plug - Wash Arm.....	2
22	00-476103-00002	Support Assy. - Lower Wash Arm (Load).....	1
23	00-476097-00002	Bracket - Spreader (Lower Wash Arm).....	1
24	00-289828	Bracket.....	2



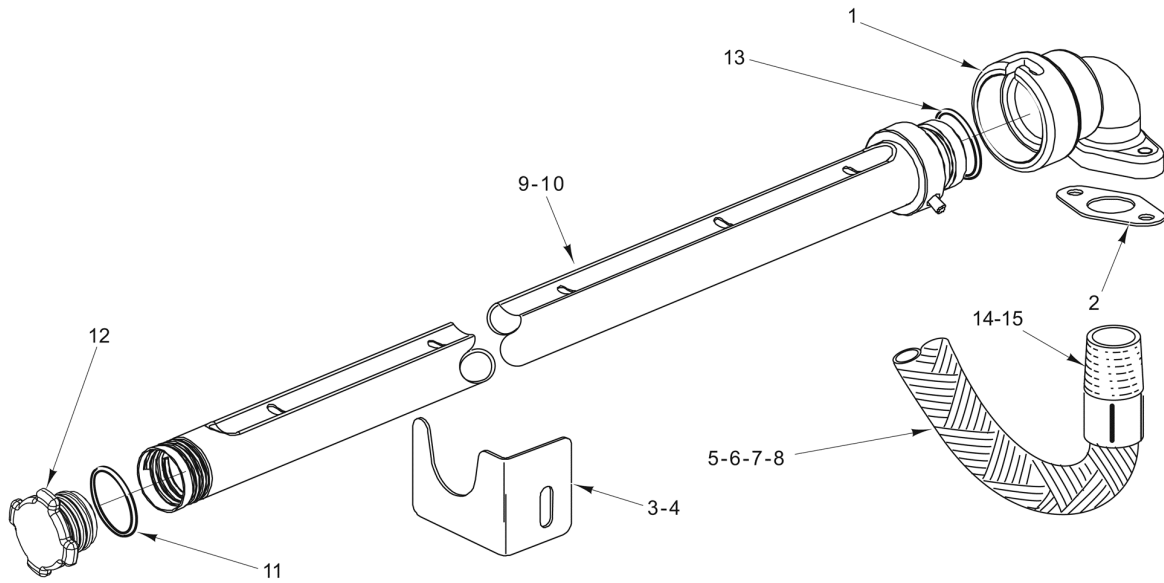
PL-60187

PREWASH SYSTEM (MANIFOLD)

PREWASH SYSTEM (MANIFOLD)

ILLUS.	PART NO.	NAME OF PART	AMT.
PL-60187			
1	00-067500-00129	O-Ring.....	2
2	00-473460	Nut - Manifold.....	2
3	00-749370	Gasket - Seal 0.093 x 3.00 (Previous Construction).....	2
4	00-941862-00004	Manifold - Elbow.....	1
5	00-067500-00062	O-Ring.....	1
6	00-948108	Bracket - Manifold (Upper).....	1
7	SC-131-78	Cap Screw 1/4-20 x 6 Hex Hd. (SST).....	AR
8	00-941868-00001	Tube Weldment - Feed (Standard Height).....	1
9	00-941868-00002	Tube Weldment - Feed (6 In. Higher Than Standard).....	1
10	00-942137	Bracket - Manifold (Input).....	1
11	00-067500-00062	O-Ring.....	1
12	00-941862-00007	Manifold - Tee.....	1
13	00-067500-00062	O-Ring.....	1
14	00-067500-00132	O-Ring.....	2
15	00-473460	Nut - Manifold.....	2
16	00-067500-00129	O-Ring.....	2
17	00-941932-00002	Tubing - Pump Discharge (L-R).....	1
18	00-941932-00003	Tubing - Pump Discharge (R-L).....	1
19	00-067500-00131	O-Ring.....	2
20	00-476098	Clamp - Discharge Tube.....	2
21	00-476094-00002	Tube - Pump Discharge (Load).....	1
22	00-067500-00131	O-Ring.....	2
*23	00-948509-00005	Kit - Manifold (Load) (L-R) (Standard Height).....	1
*24	00-948509-00006	Kit - Manifold (Load) (L-R) (6 In. Higher Than Standard).....	1
*25	00-948509-00007	Kit - Manifold (Load) (R-L) (Standard Height).....	1
*26	00-948509-00008	Kit - Manifold (Load) (R-L) (6 In. Higher Than Standard).....	1

* (Used to convert Previous Construction to new metallic design.)

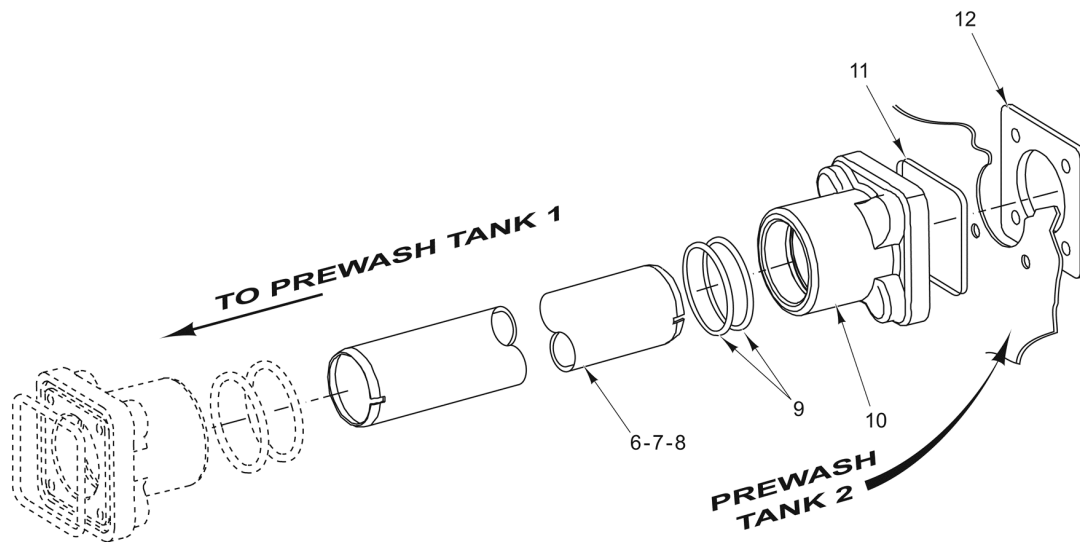
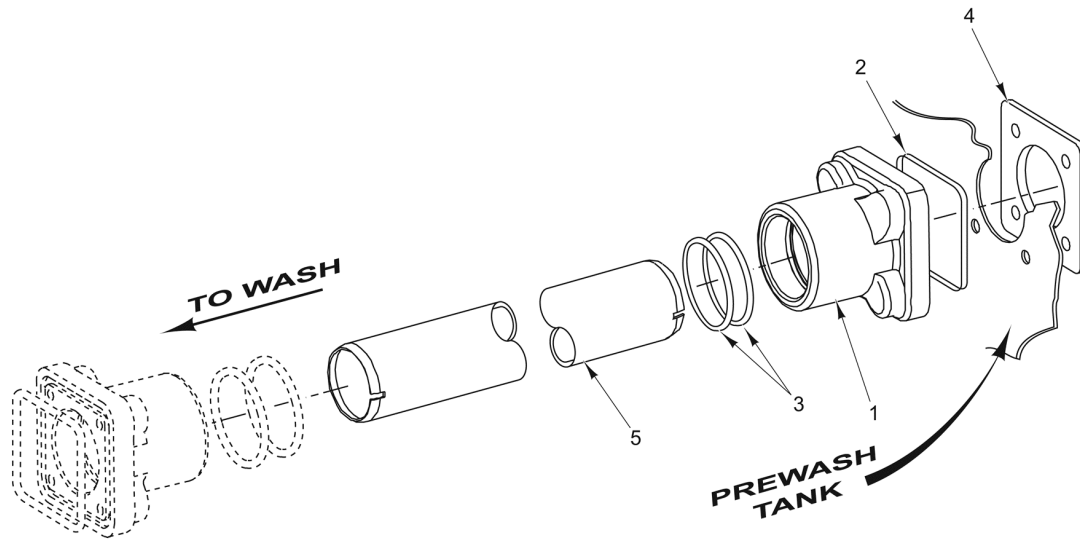


PL-55206

FLUSH ARM UNIT

FLUSH ARM UNIT

ILLUS.	PART NO.	NAME OF PART	AMT.
PL-55206			
1	00-476119-00002	Socket - Flush Arm.....	1
2	00-476137	Gasket - Socket Flush Arm.....	1
3	00-476121	Bracket - Support (Flush Tube R-L).....	1
4	00-476121-00002	Bracket - Support (Flush Tube L-R).....	1
5	00-476237-00002	Hose - Braided (1 In. x 20 In.) (SST).....	1
6	00-476237-00001	Hose - Braided (1 In. x 48 In.) (SST).....	1
7	00-476237-00003	Hose - Braided (1 In. x 72 In.) (SST).....	1
8	00-476237-00004	Hose - Braided (1 In. x 96 In.) (SST).....	1
9	00-476124	Arm - Flush (L-R).....	1
10	00-476118	Arm - Flush (R-L).....	1
11	00-067500-00127	O-Ring - AS568 Size 124 (1.237 x .103).....	1
12	00-475589	Plug - Wash Arm.....	1
13	00-067500-00013	O-Ring.....	1
14	FP-049-19	Elbow 1 x 45 Deg. (5 Ft. Load, L-R).....	1
15	FP-087-41	Pipe 1 x 3 TBE (SST).....	1

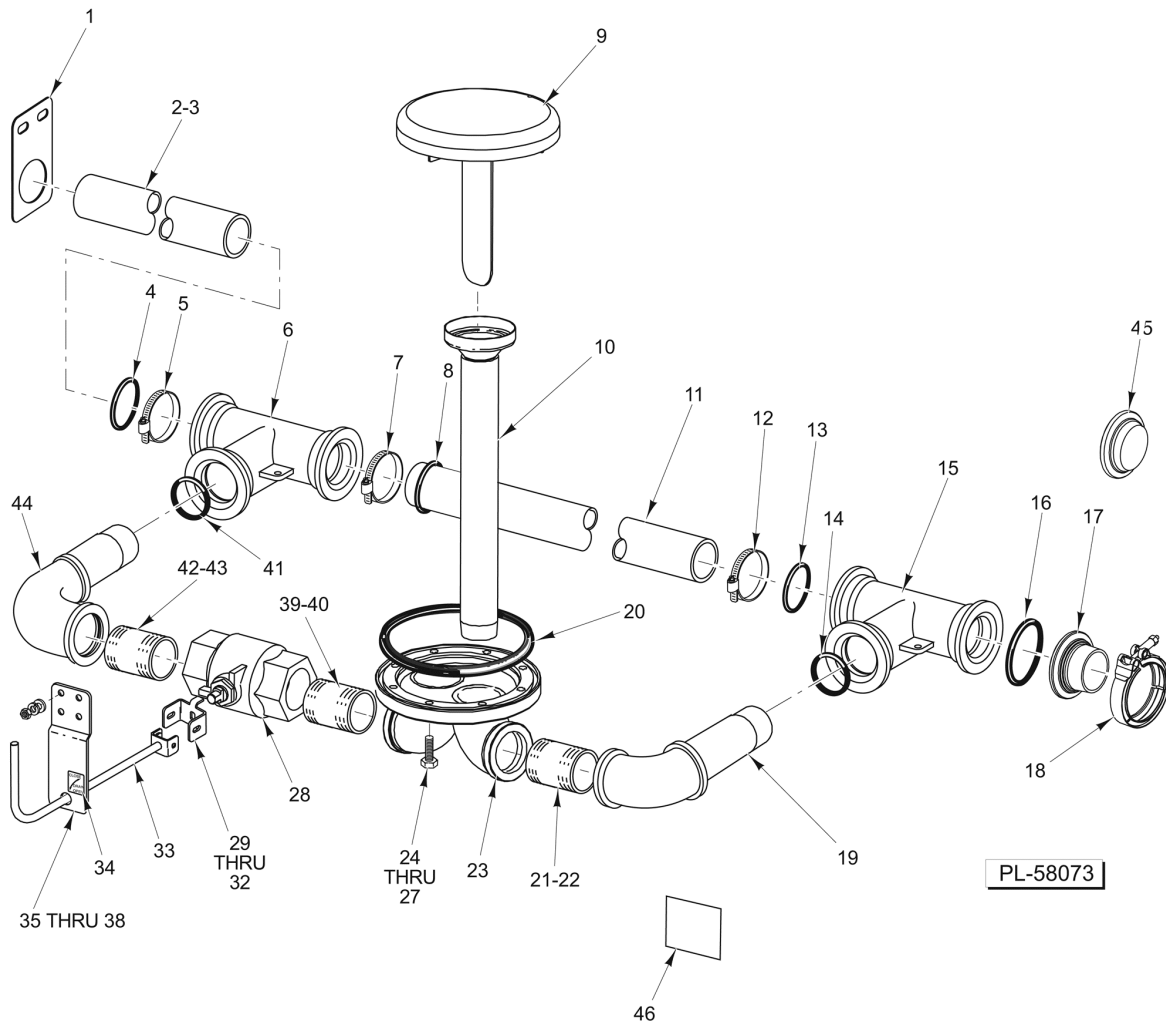


PL-53088

**OVERFLOW UNIT
(PREWASH SECTION)**

**OVERFLOW UNIT
(PREWASH SECTION)**

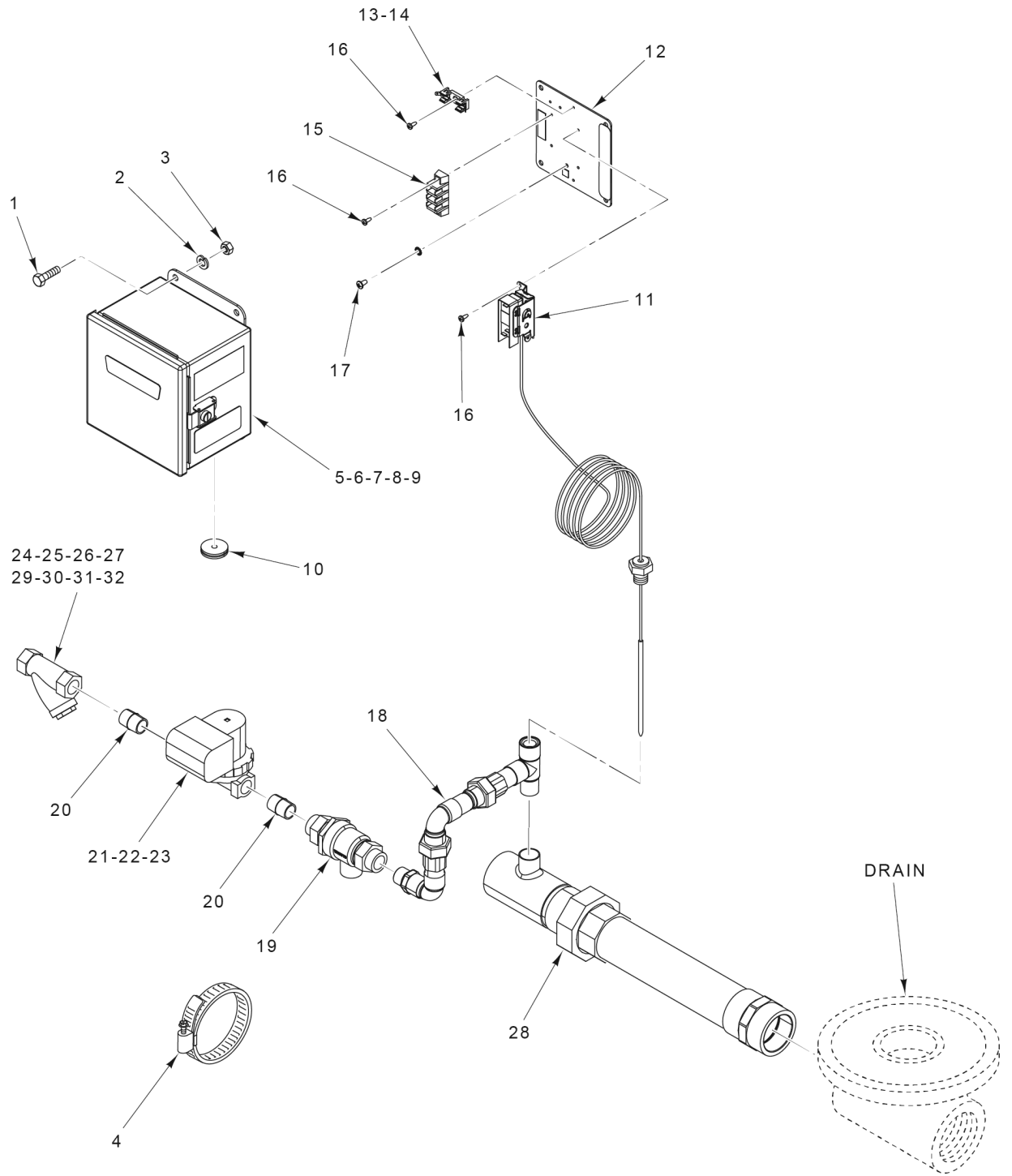
ILLUS.	PART NO.	NAME OF PART	AMT.
PL-53088			
1	00-476130	Coupling - Pass-Thru (Flow Back Pipe) (2.031 Dia. thru Hole).....	1
2	00-067500-00132	O-Ring.....	1
3	00-067500-00134	O-Ring.....	2
4	00-476128-00001	Plate - Flow Back Mounting.....	1
5	00-476127	Pipe - Flow Back (Wash/Prewash).....	1
6	00-289467-00002	Pipe - Flow Back (38-1/4 In.).....	1
7	00-289467-00017	Pipe - Flow Back (52 In.).....	1
8	00-289467-00009	Pipe - Flow Back (62 In.).....	1
9	00-067500-00134	O-Ring.....	2
10	00-476130	Coupling - Pass-Thru (Flow Back Pipe) (2.031 Dia. thru Hole).....	1
11	00-067500-00132	O-Ring.....	1
12	00-476128-00001	Plate - Flow Back Mounting.....	1



**DRAIN UNIT
(PREWASH SECTION)**

**DRAIN UNIT
(PREWASH SECTION)**

ILLUS.	PART NO.	NAME OF PART	AMT.
PL-58073			
1	00-748181	Support - Drain Pipe.....	AR
2	00-289467-00005	Pipe Drain (39-1/2 In.) (6 Ft. Stage 2, L-R and R-L).....	1
3	00-289467-00004	Pipe Drain (20 In.) (Common Load).....	1
4	00-067500-00134	O-Ring.....	1
5	00-542337	Clamp - Hose.....	1
6	00-749650-00001	Tee - Drain Center.....	1
7	00-542337	Clamp - Hose.....	1
8	00-067500-00134	O-Ring.....	1
9	00-475854	Cover - Overflow.....	1
10	00-475850	Pipe - Overflow.....	1
11	00-289467-00008	Pipe - Drain Overflow (13-1/2 In.) (R-L & L-R).....	1
12	00-542337	Clamp - Hose.....	1
13	00-067500-00134	O-Ring.....	1
14	00-067500-00126	O-Ring - AS568 Size 133 (1.8 x .103).....	1
15	00-749650-00001	Tee - Drain Center.....	1
16	00-067500-00131	O-Ring.....	1
17	00-475927-00001	Connector - Drain (To Building Drain) (Plastic, 2 NPT).....	1
18	00-476098	Clamp - Discharge Tube.....	1
19	00-749552	Elbow - Drain Adapter.....	1
20	00-067500-00136	O-Ring.....	1
21	FP-054-85	Pipe 1-1/2 x 2 TBE (SST) (Previous Construction).....	1
22	FP-054-58	Pipe 1-1/2 x 1-3/4 TBE (SST) (Current Construction).....	1
23	00-748013	Drain - Manual Assy. (With Overflow) (2 Openings).....	1
24	SC-041-11	Cap Screw 5/16-18 x 3/4 Hex Hd. (SST).....	8
25	WS-017-08	Washer (0.328 x 0.625 x 0.062) (SST).....	8
26	WL-006-23	Lockwasher 5/16 Helical (SST).....	8
27	NS-015-11	Nut 5/16-18 Hex (SST).....	8
28	00-287826-00001	Valve - Ball.....	1
29	00-748005	Bracket - Valve (Manual).....	1
30	SC-041-12	Cap Screw 5/16-18 x 7/8 Hex Hd. (SST).....	2
31	WS-017-01	Washer 0.328 x 0.875 x 0.062 (SST).....	2
32	WL-006-23	Lockwasher 5/16 Helical (SST).....	2
33	00-748006	Handle - Manual.....	1
34	00-748025	Label - Drain (Open).....	1
35	00-748186	Support - Drain Handle.....	1
36	WS-017-08	Washer (0.328 x 0.625 x 0.062) (SST).....	4
37	WL-006-23	Lockwasher 5/16 Helical (SST).....	4
38	NS-015-11	Nut 5/16-18 Hex (SST).....	4
39	FP-054-85	Pipe 1-1/2 x 2 TBE (SST) (Previous Construction).....	1
40	FP-054-58	Pipe 1-1/2 x 1-3/4 TBE (SST) (Current Construction).....	1
41	00-067500-00126	O-Ring - AS568 Size 133 (1.8 x .103).....	1
42	FP-054-85	Pipe 1-1/2 x 2 TBE (SST) (Previous Construction).....	1
43	FP-054-58	Pipe 1-1/2 x 1-3/4 TBE (SST) (Current Construction).....	1
44	00-749552	Elbow - Drain Adapter.....	1
45	00-475927-00002	Plug - Drain Valve (Replaces Item 17 when Drain to Unload).....	1
46	00-748024	Label - No Step.....	1

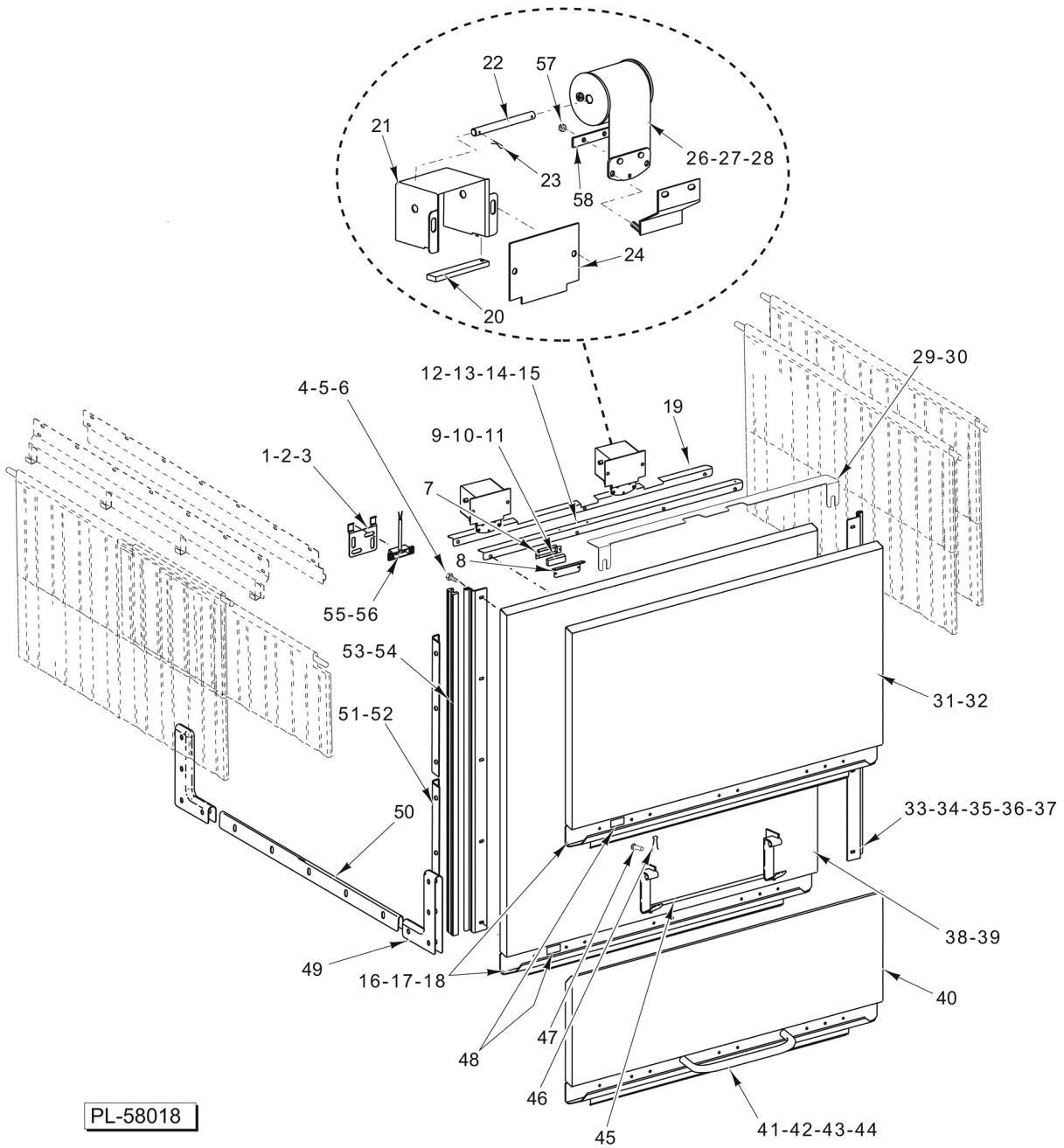


DRAIN WATER TEMPERING

DRAIN WATER TEMPERING

ILLUS.	PART NO.	NAME OF PART	AMT.
PL-60370			
1	SC-041-50	Cap Screw 1/4-20 x 1/2 Hex Hd. (SST).....	2
2	WL-003-36	Lockwasher 1/4 Light.....	2
3	NS-015-01	Nut 1/4-20 Hex (SST).....	2
4	00-542337	Clamp - Hose.....	2
5	00-814690	Box - Control.....	1
6	00-814673	Cable - Control.....	1
7	00-814666	Cable - Solenoid Valve.....	1
8	00-814665	Harness - Thermostat.....	1
9	00-814663-00003	Wire - Ground.....	1
10	00-274947	Grommet.....	1
11	00-294681-025-4	Thermostat - Drain (135 Deg.).....	1
12	00-814678	Plate - Base.....	1
13	00-294436-00003	Block - Fuse.....	1
14	FE-008-48	Fuse (250 V., 0.6 Amp.).....	1
15	00-919742-00003	Block - Terminal.....	1
16	SD-019-29	Self-Tapping Screw 6-20 x 1/2 Phil. Pan Hd., Type B.....	5
17	SD-008-25	Self-Tapping Screw 10-16 x 1/2 Phil. Pan Hd., Type B.....	1
18	00-814769-00001	Pipe Assy. (Cold Water).....	1
19	00-223472	Backflow Preventer.....	1
20	FP-040-42	Pipe 1/2 x 1-1/8 TBE (Brass).....	2
21	00-435968-00001	Valve - Solenoid (1/2 In.) (110-120 V.) (Incls. Item 22).....	1
22	00-271839-00001	Coil - Solenoid Valve.....	1
23	00-271837	Service Kit - Solenoid Valve.....	1
*24	00-270258	Strainer - Line (1/2) (Brass) (Kitz) (Incls. Items 25, 26, & 27) (Alternate to Item 29)	1
25	00-270259	Plug - Branch.....	1
26	00-270260	Screen - Strainer (1/2 In.).....	1
27	00-270261	Gasket.....	1
28	00-814768	Drain Pipe Assy.....	1
*29	00-892921	Strainer - Line (1/2) (Brass) (Conbraco) (Incls. Items 30, 31, & 32) (Alternate to Item 24).....	1
30	00-892922-00001	Cap.....	1
31	00-892922-00002	Gasket.....	1
32	00-892922-00003	Screen.....	1

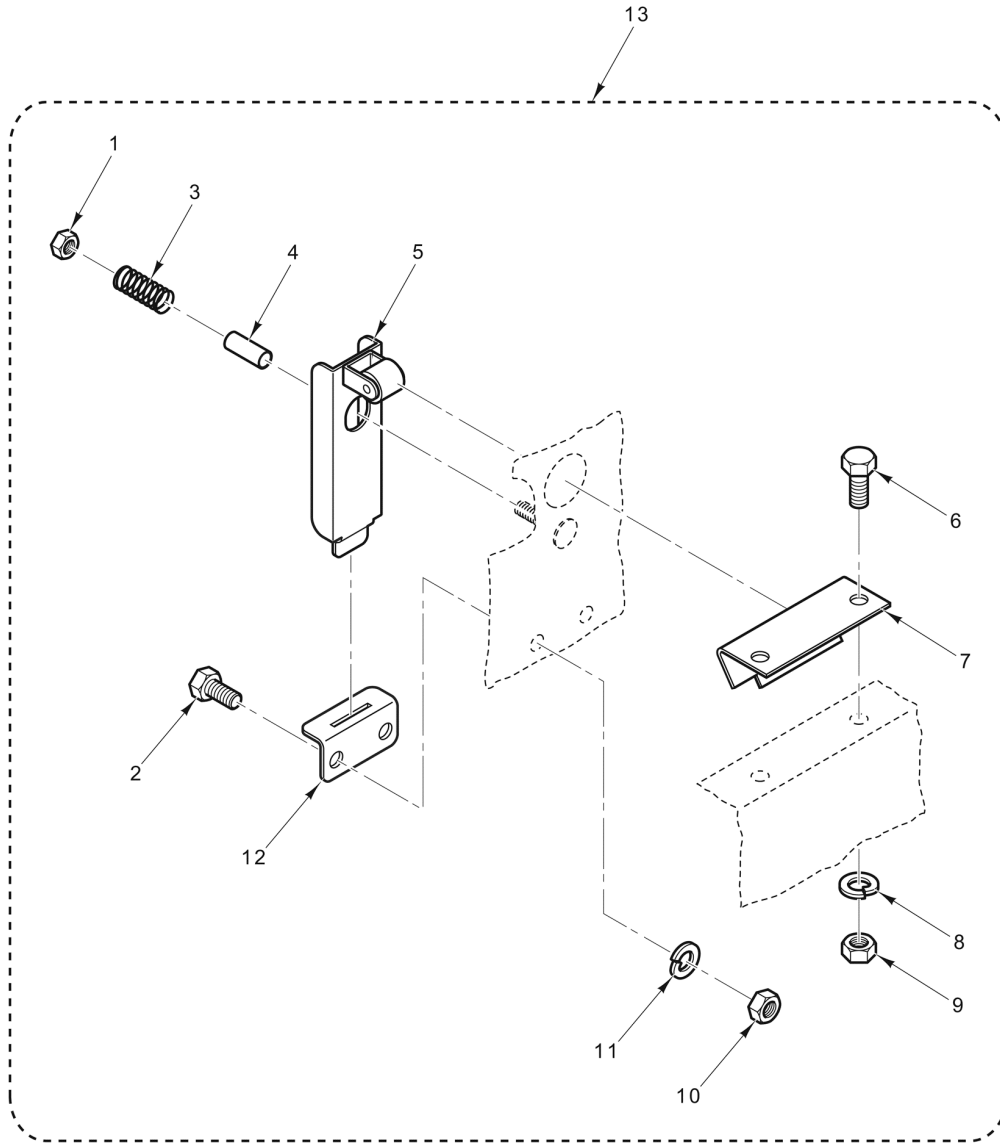
* Kitz line strainer is approx. 0.43 inches longer than Conbraco.



**SLIDING DOORS
(PREWASH SECTION)**

**SLIDING DOORS
(PREWASH SECTION)**

ILLUS.	PART NO.	NAME OF PART	AMT.
PL-58018			
1	00-748124	Bracket - Adjustment Magnet (Previous Construction).....	1
2	00-918566	Bracket - Interlock Switch (New Controls).....	1
3	NS-031-50	Stop Nut 6-32 Hex (SST).....	2
4	SC-041-05	Cap Screw 1/4-20 x 5/8 Hex Hd. (SST).....	8
5	WL-006-17	Lockwasher 1/4 Helical (SST).....	AR
6	WS-017-06	Washer (SST).....	AR
7	00-290159	Retainer - Magnet.....	1
8	00-476872	Bracket - Magnet.....	1
9	00-290160	Magnet.....	1
10	SC-127-26	Mach. Screw 6-32 x 3/8 Phil. Rd. Hd. (SST).....	4
11	NS-031-50	Stop Nut 6-32 Hex (SST).....	4
12	00-476208-00002	Seal - Door (34 In.).....	1
13	SC-041-05	Cap Screw 1/4-20 x 5/8 Hex Hd. (SST).....	5
14	WL-006-17	Lockwasher 1/4 Helical (SST).....	5
15	WS-017-06	Washer (SST).....	5
16	00-476206-00002	Handle - Door (34 In.).....	1
17	NS-031-21	Stop Nut 1/4-20 Hex (SST).....	8
18	WL-006-17	Lockwasher 1/4 Helical (SST).....	8
19	00-749465-00002	Plate - Door Seal (34 In.).....	1
20	00-476269	Plate - Spring Guide.....	3
21	00-749503	Bracket - Spring Spool.....	3
22	00-475784	Pin - Axle (Spring Spool).....	3
23	00-066233	Retainer - Clip Support.....	AR
24	00-476270	Plate - Spring Protector.....	3
25	00-476267	Bracket - Door Spring Mounting.....	3
26	00-476265-00001	Spring Assy. - Door (Note Dash Number on End Plate) (Split Door).....	3
27	00-476265-00002	Spring Assy. - Door (Note Dash Number on End Plate) (Full Door).....	2
28	00-476265-00003	Spring Assy. - Door (Note Dash Number on End Plate) (Full Door).....	1
29	00-748155	Bracket - Wire Retaining (Previous Construction).....	1
30	00-749503	Bracket - Spring Spool (Current Construction).....	1
31	00-893505-00005	Split Door Assy. (Upper) (34 In.) (Standard Height) (Incls. Items 4 thru 18 & 35).....	1
32	00-893505-00002	Split Door Assy. (Upper) (34 In.) (6 In. HTS) (Incls. Items 4 thru 18 & 36).....	1
33	00-476197-00003	Guide - Door Extrusion (Full Door) (Standard Height).....	2
34	00-476197-00004	Guide - Door Extrusion (Full Door) (6 In. Higher Than Standard).....	2
35	00-476904-00004	Guide - Door (Split Upper Door) (Standard Height).....	2
36	00-476904-00005	Guide - Door (Split Upper Door) (6 In. Higher Than Standard).....	2
37	00-476904-00006	Guide - Door (Split Lower Door).....	2
38	00-893504-00005	NLA - Obsolete--Door Assy. (34 In.) (Standard Height) (Incls. Items 4 thru 18 & 33).....	1
39	00-893504-00002	Door Assy. (34 In.) (6 In. Higher Than Standard) (Incls. Items 4 thru 18 & 34).....	1
40	00-893506-00002	Split Door Assy. (Lower) (34 In.) (Incls. Items 4 thru 18 & 37).....	1
41	00-748221	Handle (Split Door, Lower).....	1
42	SC-041-14	Cap Screw 5/16-18 x 1-1/8 Hex Hd. (SST).....	2
43	WS-017-08	Washer (0.328 x 0.625 x 0.062) (SST).....	2
44	WL-006-23	Lockwasher 5/16 Helical (SST).....	2
45	00-476978-00002	Catch (34 In. Split Door, Lower).....	1
46	PC-005-02	Cotter Pin 1/16 x 1/2 (SST).....	2
47	00-012114	Pin.....	2
48	00-109920	Label - Short Curtain.....	1
49	00-476768	Cap - Saddle Chamber.....	2
50	00-476769	Saddle - Chamber.....	1
51	00-476422-00002	Retainer - Guide (16 In.) (Standard Height).....	2
52	00-476422-00001	Retainer - Guide (22 In.) (6 In. Higher Than Standard).....	2
53	00-476421-00002	Guide - Door (Standard Height).....	2
54	00-476421-00001	Guide - Door (6 In. Higher Than Standard).....	2
55	00-476725-00010	Switch - Interlock (Prewash Door) (Old Controls).....	1
56	00-473109-005-4	Switch - Interlock (New Controls).....	1
57	NS-031-16	Stop Nut 10-24 Hex Elastic (SST).....	2
58	00-476266	Plate - Back (Spring).....	1

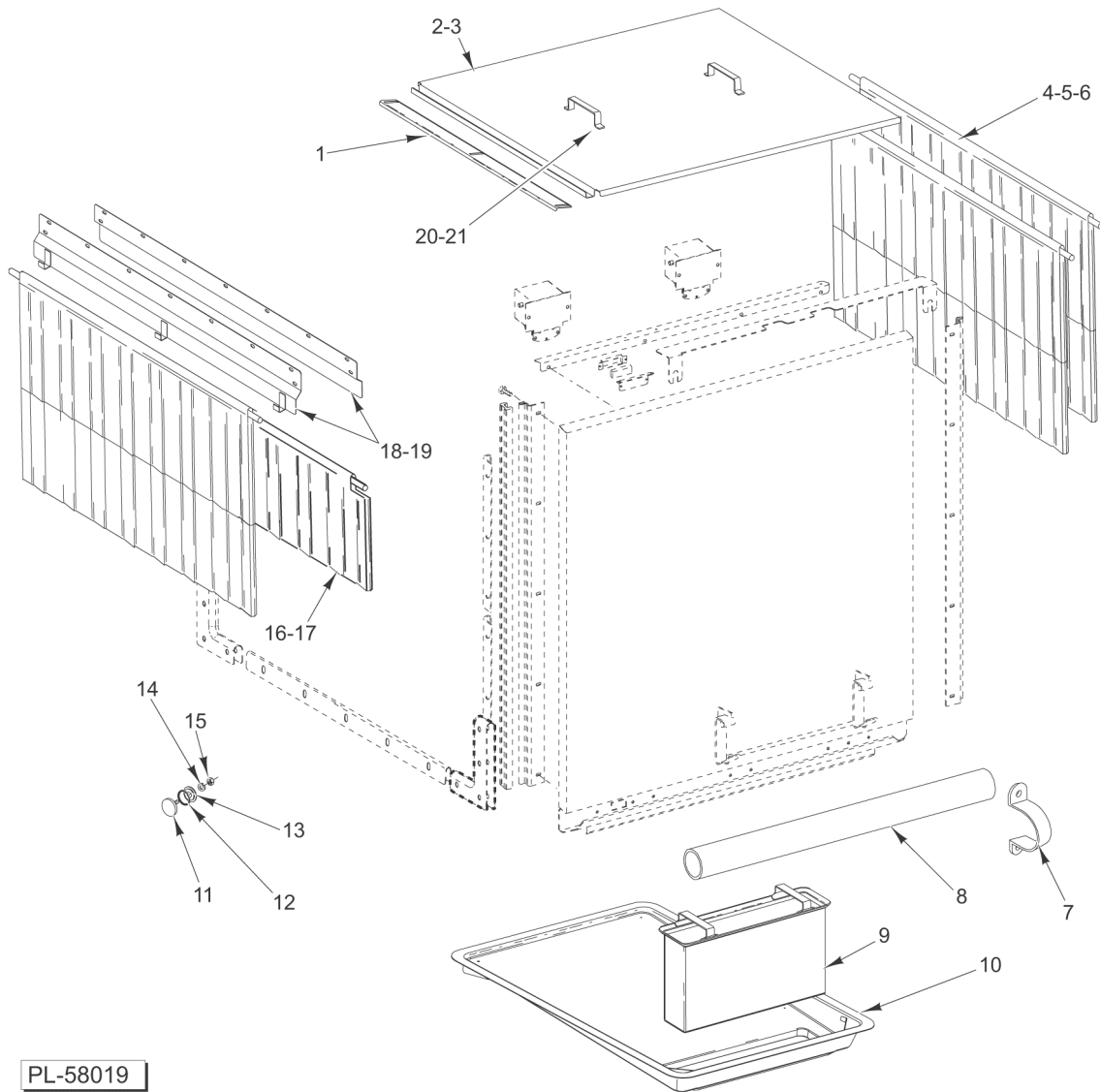


PL-58015

FULL DOOR LATCH

FULL DOOR LATCH

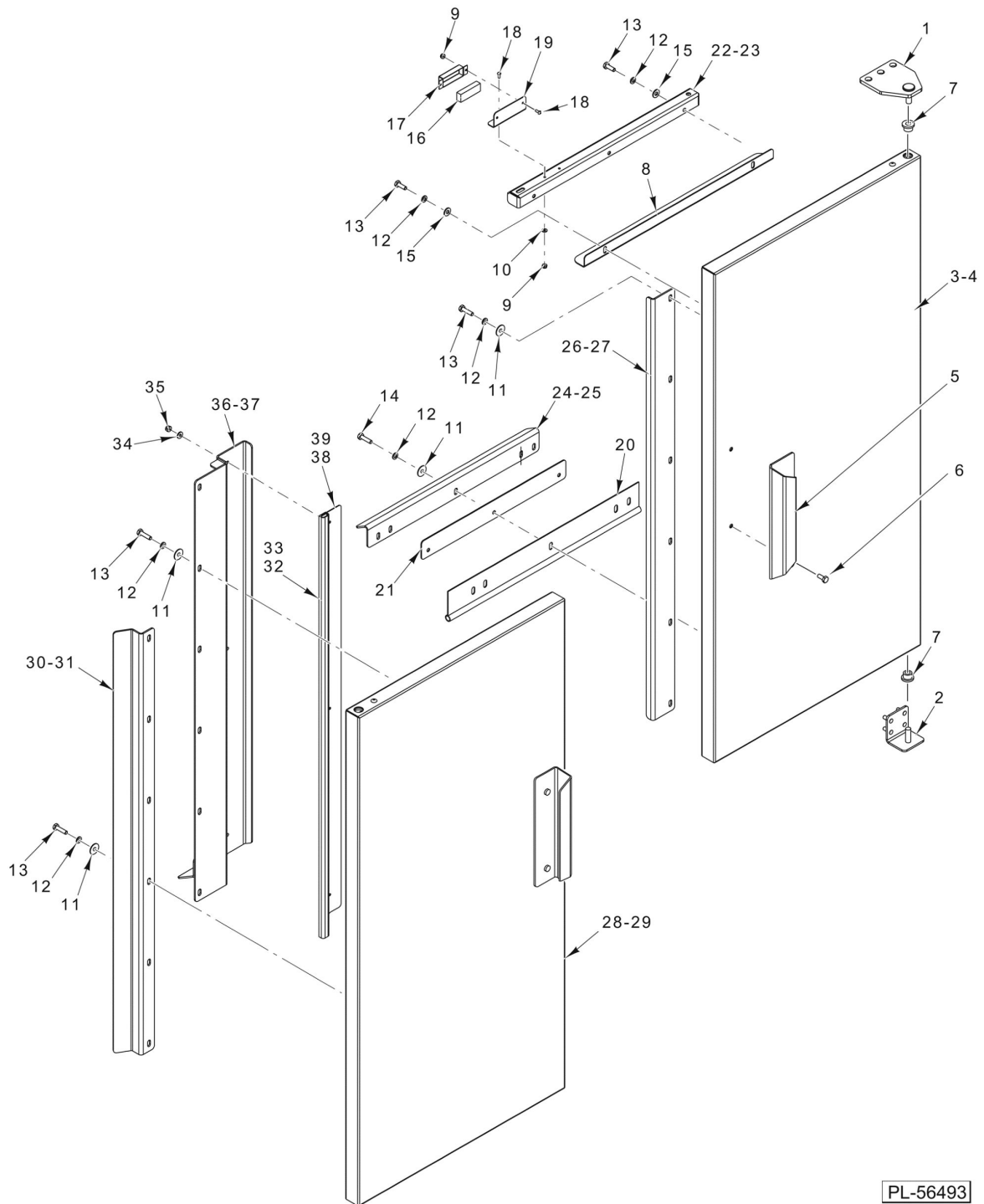
ILLUS.	PART NO.	NAME OF PART	AMT.
PL-58015			
1	NS-036-19	Stop Nut 5/16-18 Hex (SST).....	1
2	SC-041-50	Cap Screw 1/4-20 x 1/2 Hex Hd. (SST).....	2
3	00-918035	Spring.....	1
4	00-918030	Tube - Spring Pretension.....	1
5	00-918019	Latch Assy.....	1
6	SC-041-50	Cap Screw 1/4-20 x 1/2 Hex Hd. (SST).....	2
7	00-918031	Plate - Latch.....	1
8	WL-006-17	Lockwasher 1/4 Helical (SST).....	2
9	NS-015-01	Nut 1/4-20 Hex (SST).....	2
10	NS-015-01	Nut 1/4-20 Hex (SST).....	2
11	WL-006-17	Lockwasher 1/4 Helical (SST).....	2
12	00-918024	Plate - Hinge.....	1
13	00-918048	Kit - Service Latch (Incls. Items 1 thru 12).....	1



**CURTAINS, STRAINERS, AND BAFFLES
(PREWASH SECTION)**

**CURTAINS, STRAINERS, AND BAFFLES
(PREWASH SECTION)**

ILLUS.	PART NO.	NAME OF PART	AMT.
1	00-476492	Damper - Steam.....	1
2	00-476164-00001	Lid Assy. - Chamber (36 In.) (Incls. Items 20 & 21).....	1
3	00-748024	Label - No Step.....	2
4	00-892567-00001	Curtain - Splash (Standard Height).....	2
5	00-892567-00002	Curtain - Splash (6 In. Higher Than Standard).....	2
6	00-120267-00004	Rod - Curtain (35-1/4 In.).....	2
7	00-748192	Clamp 1-1/2.....	2
8	00-748193-00001	Conduit 1-1/2 x 20 In. (PVC) (Previous Construction).....	1
9	00-475846	Basket Assy. - Strainer.....	1
10	00-475973	Strainer - Weldment.....	1
11	00-119244	Cap & Stud Assy.....	1
12	00-067500-00031	O-Ring.....	1
13	00-119254	Retainer - Cap & Stud.....	1
14	WL-006-17	Lockwasher 1/4 Helical (SST).....	1
15	NS-015-01	Nut 1/4-20 Hex (SST).....	1
16	00-120160-00001	Curtain - Splash (11-1/4 x 31-1/2) (Short Curtain).....	1
17	00-120267-00003	Rod - Curtain.....	1
18	00-476401	Baffle Assy. (With Curtain Hooks).....	2
19	00-893659	Baffle Assy. (Short Curtain).....	1
20	SC-066-06	Mach. Screw 10-24 x 1/2 Phil. Truss Hd. (SST).....	2
21	00-222559	Handle.....	1

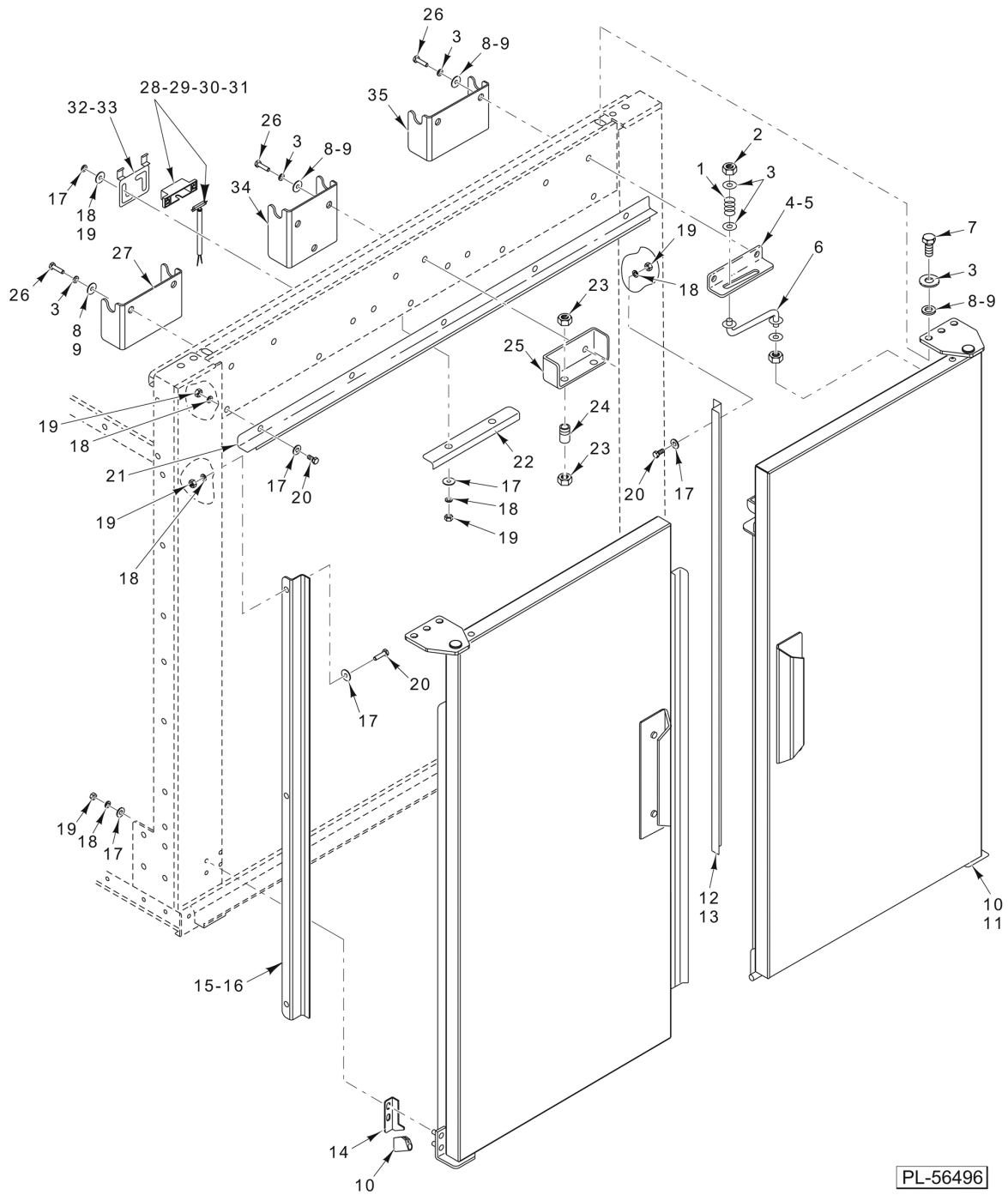


PL-56493

**HINGED DOORS
(PREWASH SECTION)**

**HINGED DOORS
(PREWASH SECTION)**

ILLUS. PL-56493	PART NO.	NAME OF PART	AMT.
1	00-892184	Plate - Top Hinge Weldment.....	2
2	00-892185	Bracket - Bottom Hinge Weldment.....	2
3	00-892229-00001	Door Assy. (RH) (Standard Height) (Incls. Items 5 thru 22, 24, & 26).....	1
4	00-892361-00001	Door Assy. (RH) (6 In. Higher Than Standard) (Incls. Items 5 thru 22, 24, & 27).....	1
5	00-892214	Handle - Door.....	2
6	SC-041-05	Cap Screw 1/4-20 x 5/8 Hex Hd. (SST).....	4
7	00-892210	Bearing - Door Hinge.....	4
8	00-892189-00002	Bracket - Upper Door Seal.....	2
9	NS-031-50	Stop Nut 6-32 Hex (SST).....	8
10	WS-023-01	Washer (SST).....	8
11	WS-003-47	Washer (SST).....	AR
12	WL-006-17	Lockwasher 1/4 Helical (SST).....	AR
13	SC-041-01	Cap Screw 1/4-20 x 3/4 Hex Hd. (SST).....	AR
14	SC-041-02	Cap Screw 1/4-20 x 1 Hex Hd. (SST).....	10
15	WS-017-06	Washer (SST).....	10
16	00-290160	Magnet.....	2
17	00-290159	Retainer - Magnet.....	2
18	SC-021-08	Mach. Screw 6-32 x 3/8 Slotted Rd. Hd. (SST).....	8
19	00-892187	Bracket - Door Magnet.....	2
20	00-892211-00002	Gasket - Lower Door.....	2
21	00-892213-00002	Plate - Lower Seal Spacer.....	2
22	00-892231-00002	Bracket - Door Catch (RH).....	1
23	00-892231-00001	Bracket - Door Catch (LH).....	1
24	00-892200-00002	Seal - Lower Door (RH).....	1
25	00-892199-00002	Seal - Lower Door (LH).....	1
26	00-892198-00001	Seal - Door Overlap (Standard Height).....	1
27	00-892198-00002	Seal - Door Overlap (6 In. Higher Than Standard).....	1
28	00-892230-00001	Door Assy. (LH) (Standard Height) (Incls. Items 5 thru 21, 23, 25, 26, & 30).....	1
29	00-892362-00001	Door Assy. (LH) (6 In. Higher Than Standard) (Incls. Items 5 thru 21, 23, 25, 27, & 31)	1
30	00-892196-00001	Deflector - Door Side (Standard Height).....	2
31	00-892196-00002	Deflector - Door Side (6 In. Higher Than Standard).....	2
32	00-892215-00001	Gasket - Door Vertical (Standard Height).....	1
33	00-892215-00002	Gasket - Door Vertical (6 In. Higher Than Standard).....	1
34	WS-019-20	Washer 0.219 x 0.375 x 0.031 (SST).....	3
35	NS-031-15	Stop Nut 10-24 Hex (SST).....	3
36	00-892588-00001	Overlap - Door Weldment (Standard Height).....	1
37	00-892588-00002	Overlap - Door Weldment (6 In. Higher Than Standard).....	1
38	00-892585-00001	Retainer - Door Seal (Standard Height).....	1
39	00-892585-00002	Retainer - Door Seal (6 In. Higher Than Standard).....	1

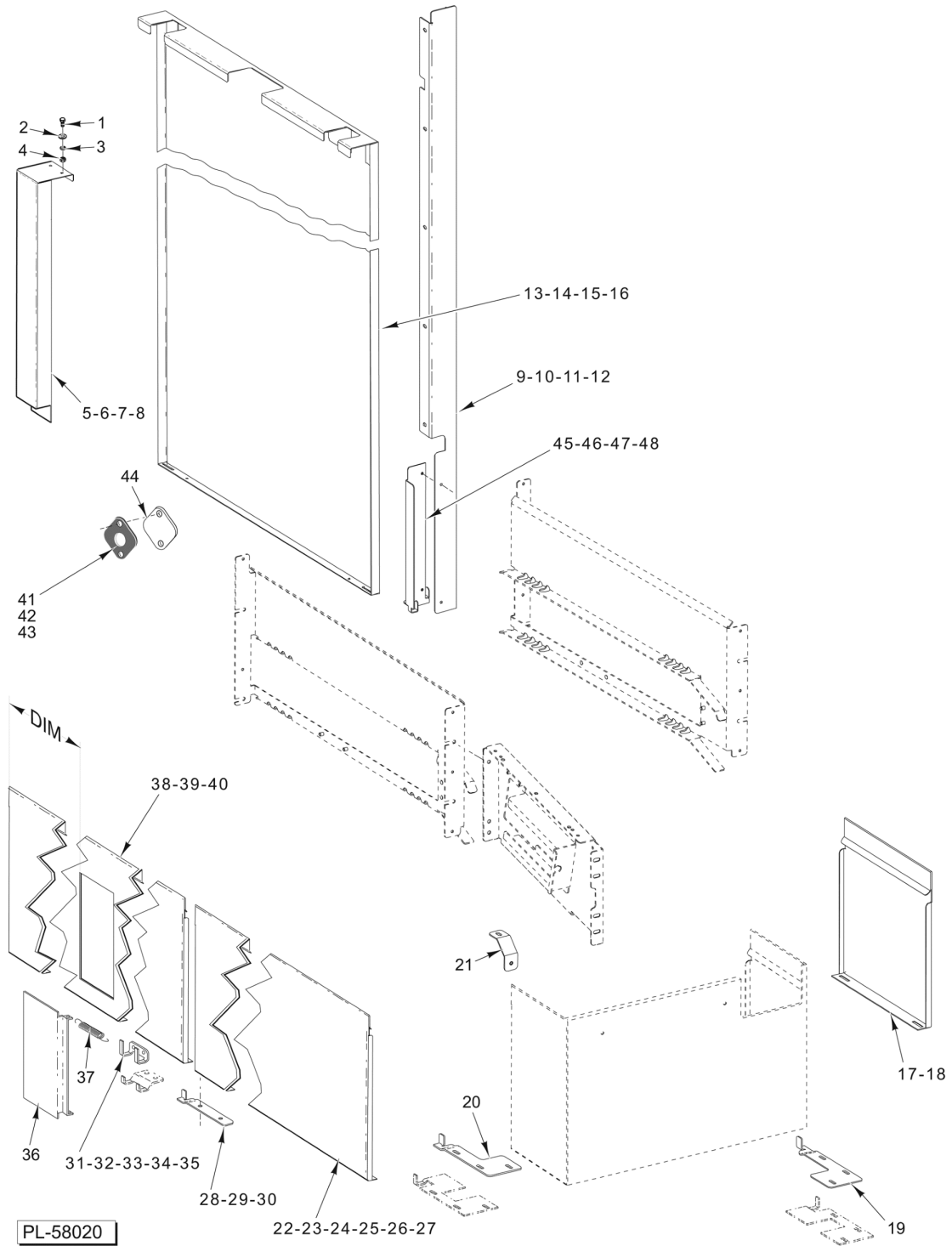


PL-56496

**HINGED DOOR ATTACHMENT
(PREWASH SECTION)**

**HINGED DOOR ATTACHMENT
(PREWASH SECTION)**

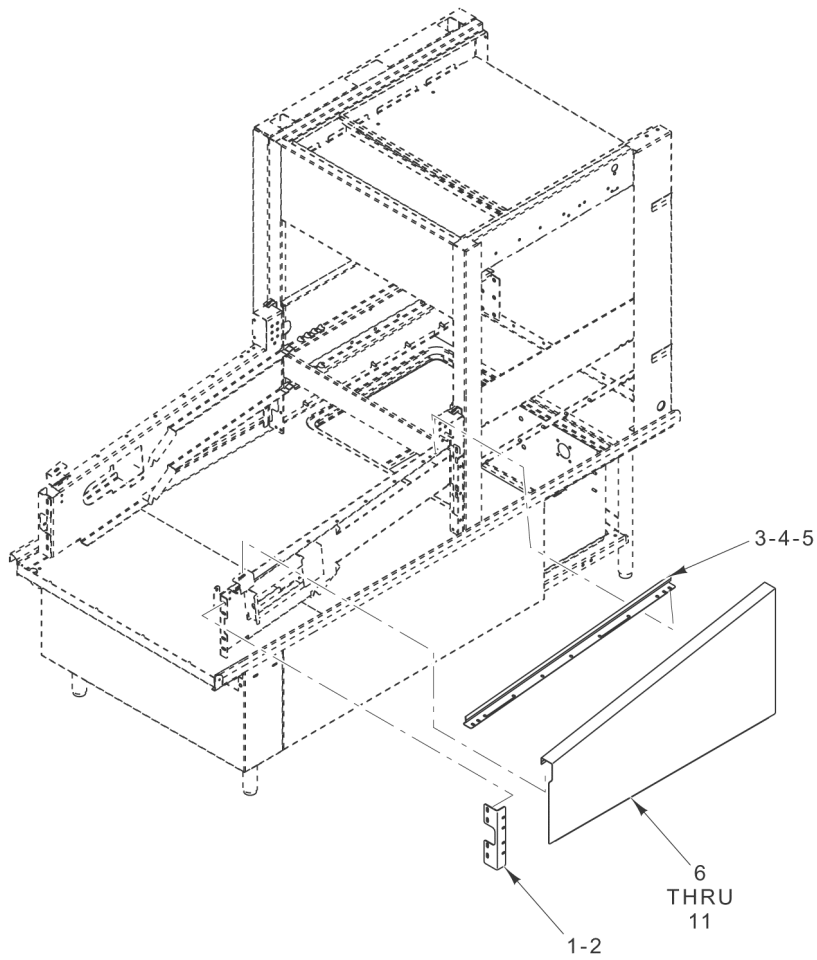
ILLUS. PL-56496	PART NO.	NAME OF PART	AMT.
1	SL-005-14	Spring - Loading.....	1
2	NS-031-29	Stop Nut 5/16-18 Hex (SST).....	2
3	WS-017-01	Washer 0.328 x 0.875 x 0.062 (SST).....	AR
4	00-892208	Bracket - Slide Door Stop (RH).....	1
5	00-892208-00002	Bracket - Slide Door Stop (LH).....	1
6	00-892207-00002	Rod - Door Stop Weldment.....	1
7	SC-041-17	Cap Screw 5/16-18 x 1-1/2 Hex Hd. (SST).....	6
8	WL-006-23	Lockwasher 5/16 Helical (SST).....	AR
9	NS-015-11	Nut 5/16-18 Hex (SST).....	AR
10	00-892497	Gasket - Lower Door (Corner).....	2
11	00-892436-00001	Seal - Chamber Opening (Lower RH).....	1
12	00-892190-00001	Bracket - Seal (Chamber Opening) (Standard Height).....	1
13	00-892190-00002	Bracket - Seal (Chamber Opening) (6 In. Higher Than Standard).....	1
14	00-892436-00002	Seal - Chamber Opening (Lower LH).....	1
15	00-892190-00001	Bracket - Seal (Chamber Opening) (Standard Height).....	1
16	00-892190-00002	Bracket - Seal (Chamber Opening) (6 In. Higher Than Standard).....	1
17	WS-017-06	Washer (SST).....	AR
18	WL-006-17	Lockwasher 1/4 Helical (SST).....	AR
19	NS-015-01	Nut 1/4-20 Hex (SST).....	AR
20	SC-041-05	Cap Screw 1/4-20 x 5/8 Hex Hd. (SST).....	AR
21	00-892188-00001	Bracket - Seal.....	1
22	00-892589	Deflector - Chamber Top.....	1
23	NS-048-84	Jam Nut M12 x 1-3/4 Hex (SST).....	AR
24	00-324221	Catch - Door.....	2
25	00-892195	Support - Door Catch.....	1
26	SC-041-11	Cap Screw 5/16-18 x 3/4 Hex Hd. (SST).....	AR
27	00-892209	Plate - Door Stop Reinforcement.....	1
28	00-476725-00030	Switch - Interlock (FT900 Prewash Tank) (Previous Construction).....	2
29	00-476725-00036	Switch - Interlock (FT900S Prewash Tank) (Previous Construction).....	2
30	00-476725-00034	Switch - Interlock (FT900W Prewash Tank) (Previous Construction).....	2
31	00-473109-005-4	Switch - Interlock (New Controls).....	1
32	00-748124	Bracket - Adjustment Magnet (Previous Construction).....	2
33	00-918566	Bracket - Interlock Switch (New Controls).....	1
34	00-892204	Latch - Reinforcement (Chamber).....	1
35	00-892209	Plate - Door Stop Reinforcement.....	1



**PANELS AND LOWER TRIM
(PREWASH SECTION)**

**PANELS AND LOWER TRIM
(PREWASH SECTION)**

ILLUS.	PART NO.	NAME OF PART	AMT.
	PL-58020		
1	SC-041-05	Cap Screw 1/4-20 x 5/8 Hex Hd. (SST).....	2
2	WS-017-06	Washer (SST).....	4
3	WL-006-17	Lockwasher 1/4 Helical (SST).....	2
4	NS-015-01	Nut 1/4-20 Hex (SST).....	2
5	00-476432	Cover - Front (Load, Standard Height) (Use With Sliding Doors).....	1
6	00-476433	Cover - Front (Load, 6 In. Higher Than Standard) (Use With Sliding Doors).....	1
7	00-892453-00001	Cover - Front (Load, Standard Height) (Use With Hinged Doors).....	1
8	00-892453-00002	Cover - Front (Load, 6 In. Higher Than Standard) (Use With Hinged Doors).....	1
9	00-476499-00001	Support - End Panel (R-L Load) (Standard Height).....	1
10	00-476246-00001	Support - End Panel (R-L Load) (6 In. Higher Than Standard).....	1
11	00-476499-00002	Support - End Panel (L-R Load) (Standard Height).....	1
12	00-476246-00002	Support - End Panel (L-R Load) (6 In. Higher Than Standard).....	1
13	00-476885-00002	Panel - Load (Rear) (Standard Height) (Previous Construction).....	1
14	00-476885-00001	Panel - Load (Rear) (6 In. Higher Than Standard) (Previous Construction).....	1
15	00-941456-00003	Panel - Load (Rear) (Standard Height) (Current Construction).....	1
16	00-941456-00006	Panel - Load (Rear) (6 In. Higher Than Standard) (Current Construction).....	1
17	00-476168-00004	Panel - Trim (10 In.) (5 Ft. Load Rear).....	AR
18	00-476168-00005	Panel - Trim (34 In.) (7 Ft. Load Rear).....	AR
19	00-748463-00002	Bracket - Panel Wrap (R-L Rear) (L-R Front).....	1
20	00-748463-00001	Bracket - Panel Wrap (L-R Rear) (R-L Front).....	1
21	00-476675	Bracket - Lower End Panel.....	2
22	00-476168-00001	Panel - Trim (72 In.).....	AR
23	00-476168-00012	Panel - Trim (60 In.).....	AR
24	00-476168-00010	Panel - Trim (12 In.).....	AR
25	00-476168-00002	Panel - Trim (48 In.).....	AR
26	00-476168-00003	Panel - Trim (24 In.).....	AR
27	00-476168-00011	Panel - Trim (36 In.).....	AR
28	00-476171	Retainer - Panel.....	1
29	WS-019-06	Washer.....	2
30	SC-066-06	Mach. Screw 10-24 x 1/2 Phil. Truss Hd. (SST).....	2
31	00-748324	Bracket - Panel (Front).....	1
32	SC-041-05	Cap Screw 1/4-20 x 5/8 Hex Hd. (SST).....	2
33	WS-003-49	Washer 0.266 x 0.563 x 0.062 (SST).....	2
34	WL-006-17	Lockwasher 1/4 Helical (SST).....	2
35	NS-015-01	Nut 1/4-20 Hex (SST).....	2
36	00-289629-00002	Door - Access.....	1
37	00-185888	Spring - Door.....	2
38	00-748241-00001	Panel - Trim (72 In.) (Dim. 42) (L-R).....	AR
39	00-748241-00002	Panel - Trim (72 In.) (Dim. 19-1/2) (R-L).....	AR
40	00-748241-00004	Panel - Trim (48 In.) (Dim. 19) (R-L) (FT900S).....	AR
41	00-436827	Gasket.....	1
42	WL-006-23	Lockwasher 5/16 Helical (SST).....	2
43	NS-015-11	Nut 5/16-18 Hex (SST).....	2
44	00-122402-00002	Flange.....	1
45	00-476361	Bracket - Transition (LH) (Previous Construction).....	1
46	00-476361-00002	Bracket - Transition (RH) (Previous Construction).....	1
47	00-941400-00001	Bracket - Transition (LH) (Current Construction).....	1
48	00-941400-00002	Bracket - Transition (RH) (Current Construction).....	1

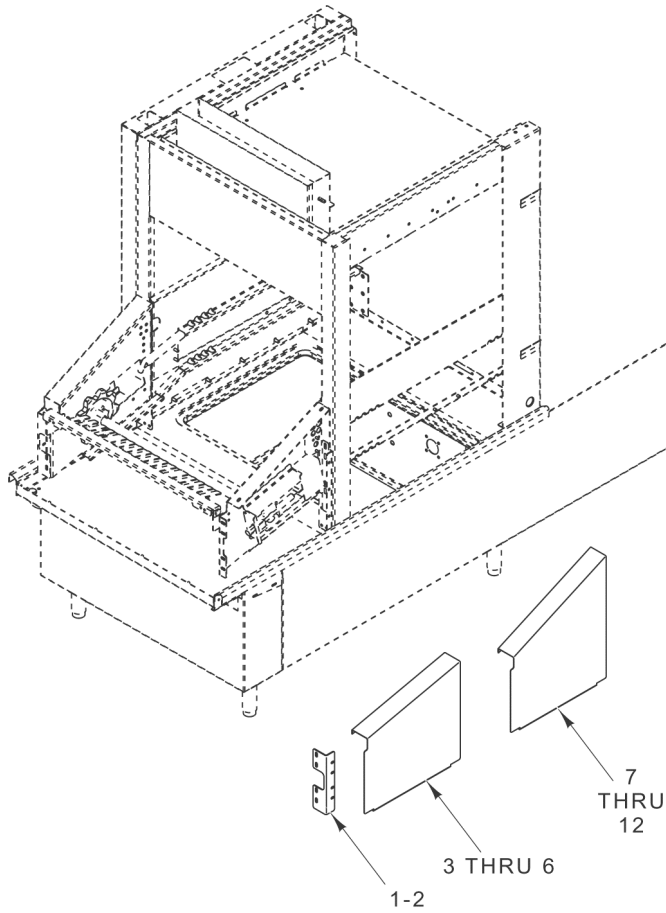


PL-58701

**PANELS
(PREWASH 5 TO 7 FEET)
(PREVIOUS CONSTRUCTION)**

**PANELS
(PREWASH 5 TO 7 FEET)
(PREVIOUS CONSTRUCTION)**

ILLUS. PL-58701	PART NO.	NAME OF PART	AMT.
1	00-475989-00001	Bracket - Support (R-L Rear; L-R Front).....	1
2	00-475989-00002	Bracket - Support (L-R Rear; R-L Front).....	1
3	00-749242-00001	Panel - Filler Angle (5 Ft. Load).....	2
4	00-749242-00002	Panel - Filler Angle (7 Ft. Load).....	2
5	00-749242-00003	Panel - Filler Angle (6 Ft. Load).....	2
6	00-749278-00001	Panel - Cover (5 Ft.) (R-L Front; L-R Rear).....	1
7	00-749278-00002	Panel - Cover (5 Ft.) (R-L Rear; L-R Front).....	1
8	00-749279-00001	Panel - Cover (6 Ft.) (R-L Front; L-R Rear).....	1
9	00-749279-00002	Panel - Cover (6 Ft.) (R-L Rear; L-R Front).....	1
10	00-749280-00001	Panel - Cover (7 Ft.) (R-L Front; L-R Rear).....	1
11	00-749280-00002	Panel - Cover (7 Ft.) (R-L Rear; L-R Front).....	1

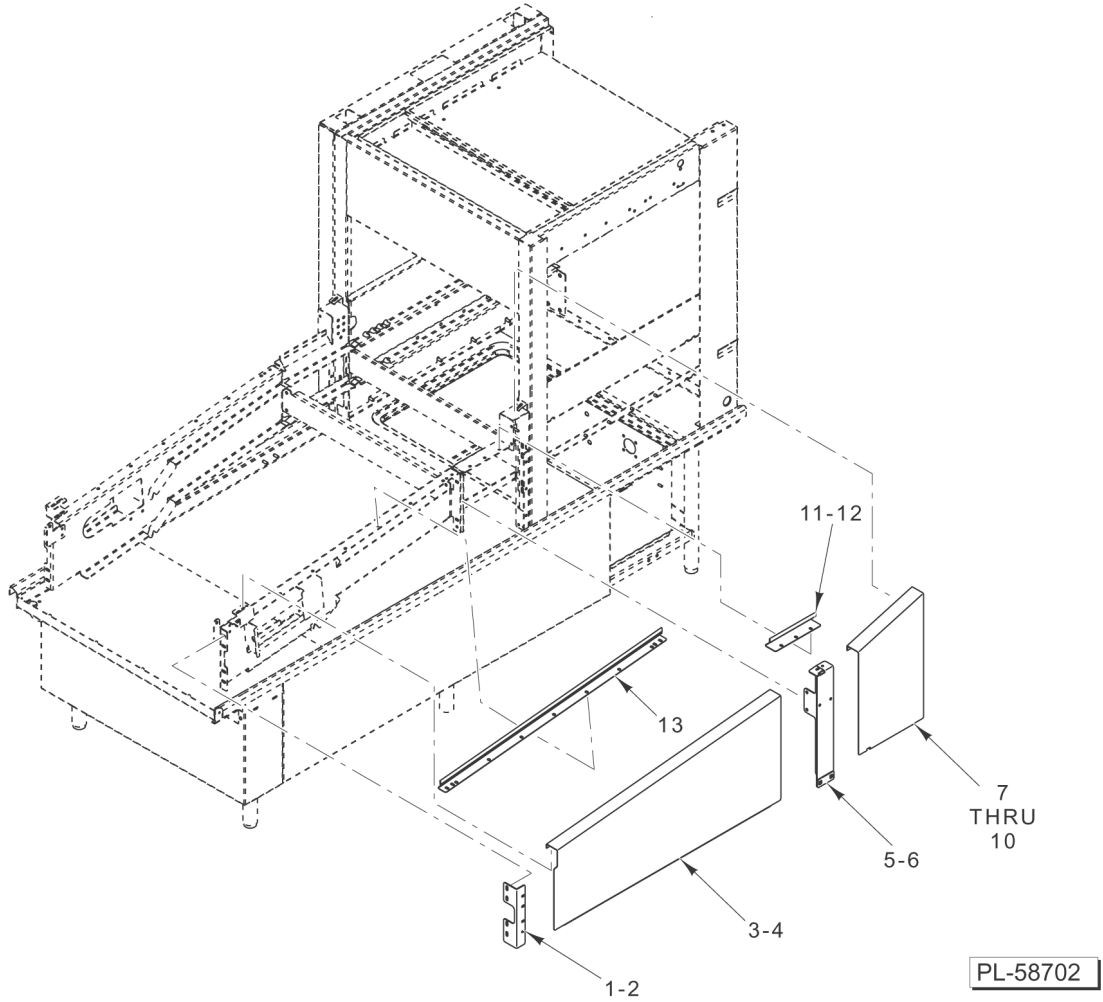


PL-58697

**PANELS
(PREWASH 5 TO 7 FEET)
(CURRENT CONSTRUCTION)**

**PANELS
(PREWASH 5 TO 7 FEET)
(CURRENT CONSTRUCTION)**

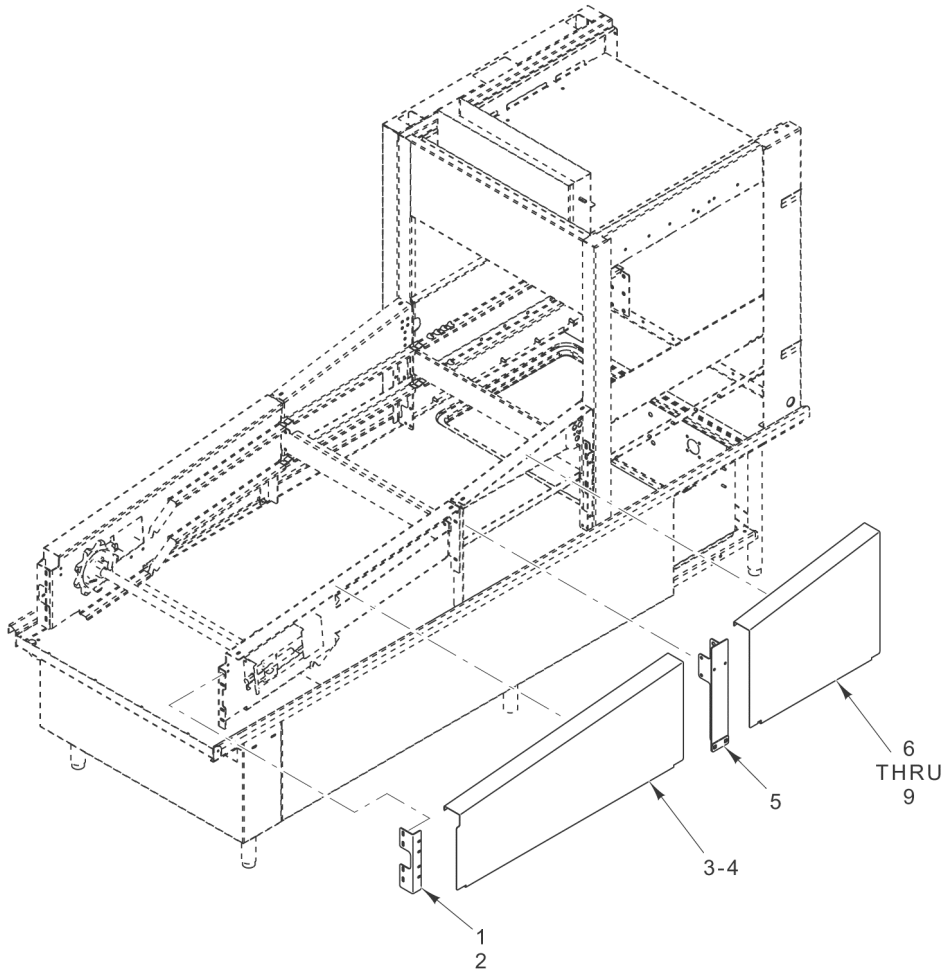
ILLUS. PL-58697	PART NO.	NAME OF PART	AMT.
1	00-475989-00002	Bracket - Support (L-R Rear; R-L Front).....	1
2	00-475989-00001	Bracket - Support (R-L Rear; L-R Front).....	1
3	00-892736-00002	Panel - Cover (5 Ft.) (R-L Rear; L-R Front).....	1
4	00-892737-00002	Panel - Cover (7 Ft.) (R-L Rear; L-R Front).....	1
5	00-892736-00001	Panel - Cover (5 Ft.) (L-R Rear; R-L Front).....	1
6	00-892737-00001	Panel - Cover (7 Ft.) (L-R Rear; R-L Front).....	1
7	00-892755-00001	Panel - Cover (5 Ft.) (R-L Front; L-R Rear).....	1
8	00-892755-00002	Panel - Cover (5 Ft.) (L-R Front; R-L Rear).....	1
9	00-892756-00001	Panel - Cover (6 Ft.) (R-L Front; L-R Rear).....	1
10	00-892756-00002	Panel - Cover (6 Ft.) (L-R Front; R-L Rear).....	1
11	00-892757-00001	Panel - Cover (7 Ft.) (R-L Front; L-R Rear).....	1
12	00-892757-00002	Panel - Cover (7 Ft.) (L-R Front; R-L Rear).....	1



**PANELS
(PREWASH 8 TO 9 FEET)
(PREVIOUS CONSTRUCTION)**

**PANELS
(PREWASH 8 TO 9 FEET)
(PREVIOUS CONSTRUCTION)**

ILLUS. PL-58702	PART NO.	NAME OF PART	AMT.
1	00-475989-00001	Bracket - Support (R-L Rear; L-R Front).....	1
2	00-475989-00002	Bracket - Support (L-R Rear; R-L Front).....	1
3	00-748019-00001	Panel - Cover (5 Ft. Load) (R-L Front; L-R Rear).....	1
4	00-748019-00002	Panel - Cover (5 Ft. Load) (L-R Front; R-L Rear).....	1
5	00-748631-00001	Support Weldment - Upright (L-R Front; R-L Rear).....	1
6	00-748631-00002	Support Weldment - Upright (R-L Front; L-R Rear).....	1
7	00-749272-00001	Panel - Cover (1 Ft.) (R-L Front; L-R Rear) (Use On 8 Ft. Load).....	1
8	00-749272-00002	Panel - Cover (1 Ft.) (R-L Rear; L-R Front) (Use On 8 Ft. Load).....	1
9	00-749273-00001	Panel - Cover (2 Ft.) (R-L Front; L-R Rear) (Use On 9 Ft. Load).....	1
10	00-749273-00002	Panel - Cover (2 Ft.) (R-L Rear; L-R Front) (Use On 9 Ft. Load).....	1
11	00-749265-00001	Panel - Filler Angle (1 Ft.) (8 Ft. Load).....	2
12	00-749265-00002	Panel - Filler Angle (2 Ft.) (9 Ft. Load).....	2
13	00-748016-00002	Panel - Filler Angle.....	2

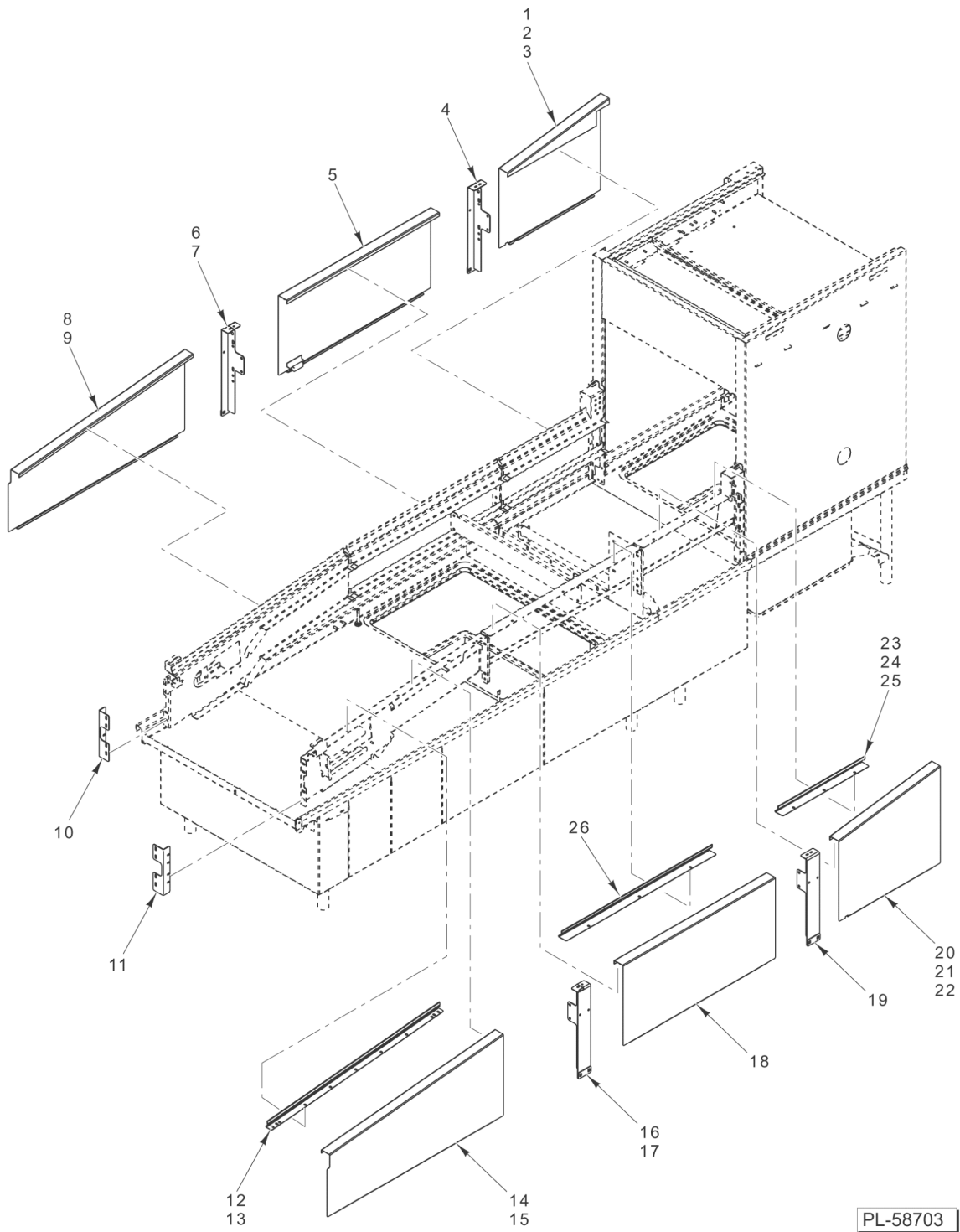


PL-58698

**PANELS
(PREWASH 8 TO 9 FEET)
(CURRENT CONSTRUCTION)**

**PANELS
(PREWASH 8 TO 9 FEET)
(CURRENT CONSTRUCTION)**

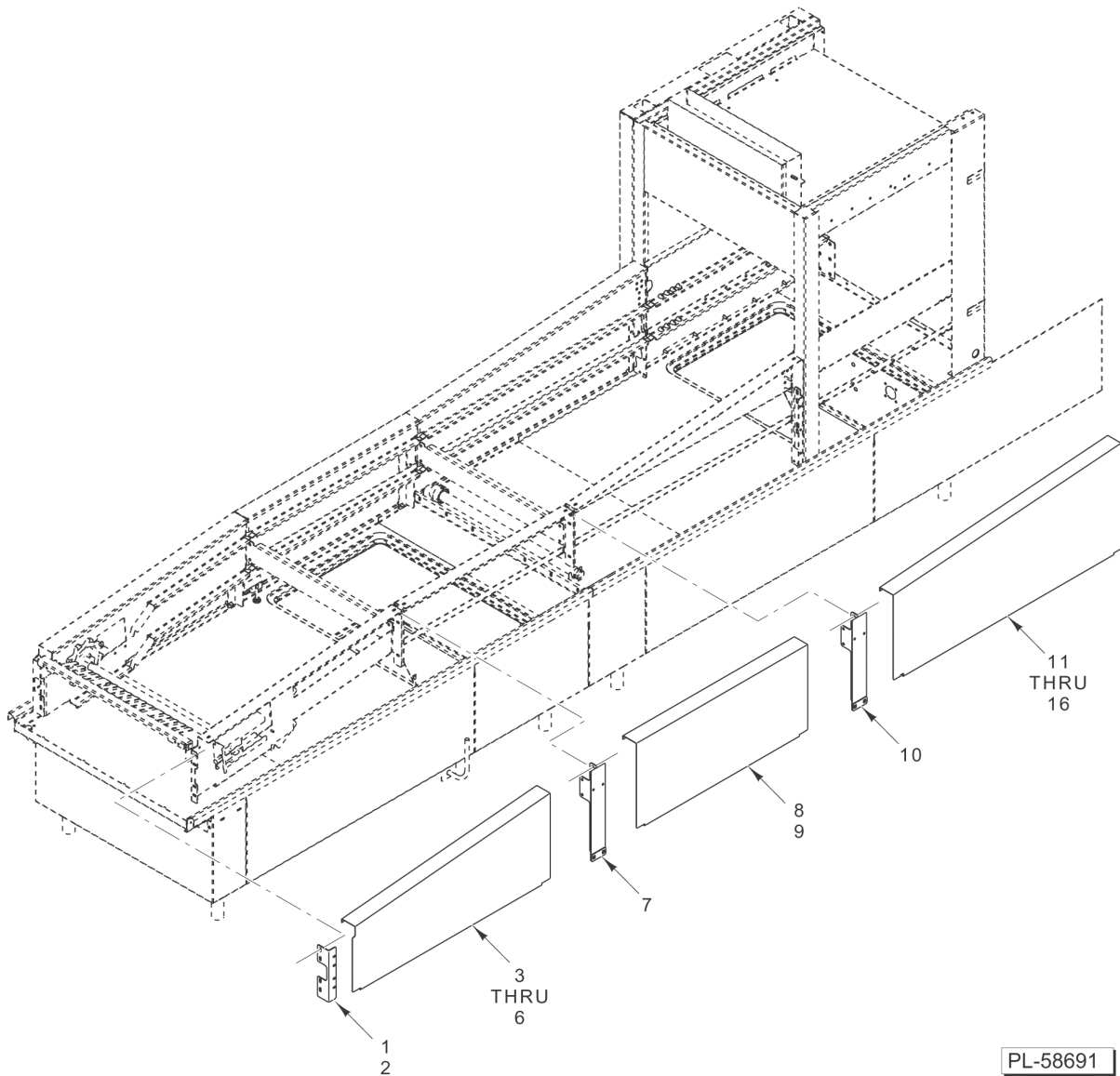
ILLUS.	PART NO.	NAME OF PART	AMT.
PL-58698			
1	00-475989-00002	Bracket - Support (L-R Rear; R-L Front).....	1
2	00-475989-00001	Bracket - Support (R-L Rear; L-R Front).....	1
3	00-892737-00002	Panel - Cover (7 Ft.) (R-L Rear; L-R Front).....	1
4	00-892737-00001	Panel - Cover (7 Ft.) (L-R Rear; R-L Front).....	1
5	00-892738	Support Weldment - Upright.....	2
6	00-892752-00001	Panel - Cover (2 Ft.) (R-L Front; L-R Rear) (Use On 9 Ft. Load).....	1
7	00-892752-00002	Panel - Cover (2 Ft.) (L-R Front; R-L Rear) (Use On 9 Ft. Load).....	1
8	00-892751-00001	Panel - Cover (1 Ft.) (R-L Front; L-R Rear) (Use On 8 Ft. Load).....	1
9	00-892751-00002	Panel - Cover (1 Ft.) (L-R Front; R-L Rear) (Use On 8 Ft. Load).....	1



**PANELS
(PREWASH 10 TO 14 FEET)
(PREVIOUS CONSTRUCTION)**

**PANELS
(PREWASH 10 TO 14 FEET)
(PREVIOUS CONSTRUCTION)**

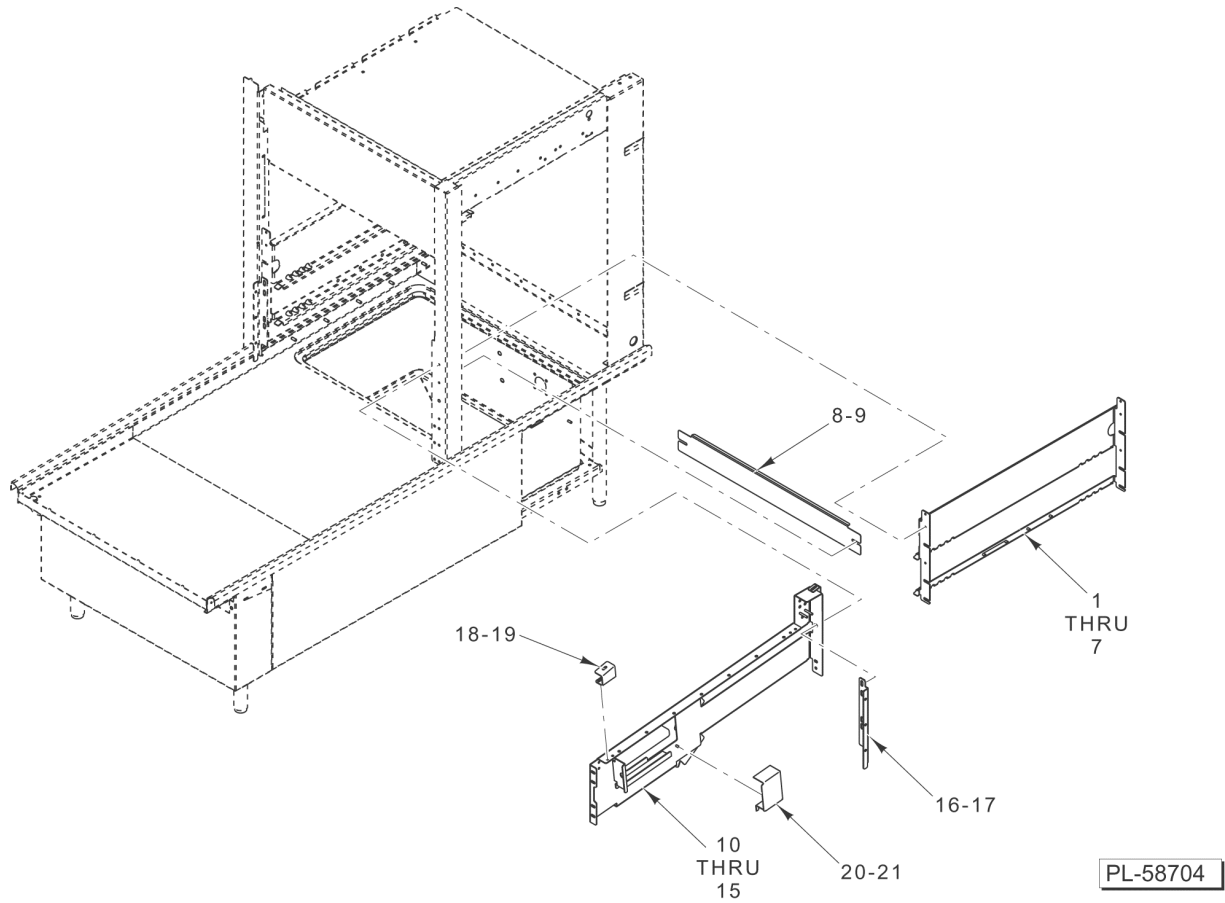
ILLUS. PL-58703	PART NO.	NAME OF PART	AMT.
1	00-749273-00001	Panel - Cover (2 Ft.) (R-L Front; L-R Rear) (Use On 10 & 12 Ft. Loads).....	1
2	00-749274-00001	Panel - Cover (3 Ft.) (R-L Front; L-R Rear) (Use On 11, & 13 Ft. Loads).....	1
3	00-749275-00001	Panel - Cover (4 Ft.) (R-L Front; L-R Rear) (Use On 14 Ft. Load).....	1
4	00-748987	Support Weldment - Upright.....	1
5	00-748993-00001	Panel - Cover Switch Mount (R-L Front; L-R Rear) (Use On 10 thru 14 Ft. Loads)	1
6	00-748631-00003	Support - Upright (R-L Front; L-R Rear) (Use On 10 & 11 Ft. Loads).....	1
7	00-748631-00001	Support - Upright (R-L Front; L-R Rear) (Use On 12, 13, & 14 Ft. Loads).....	1
8	00-748017-00001	Panel - Cover (5 Ft.) (R-L Front; L-R Rear) (Use On 10 & 11 Ft. Loads).....	1
9	00-748019-00001	Panel - Cover (7 Ft.) (R-L Front; L-R Rear) (Use On 12, 13, & 14 Ft. Loads).....	1
10	00-475989-00002	Bracket - Support (L-R Rear; R-L Front).....	1
11	00-475989-00001	Bracket - Support (R-L Rear; L-R Front).....	1
12	00-748016-00001	Panel - Filler Angle (5 Ft.) (R-L Front; L-R Rear) (Use On 10 & 11 Ft. Loads).....	1
13	00-748016-00002	Panel - Filler Angle (7 Ft.) (L-R Front; R-L Rear) (Use On 12, 13, & 14 Ft. Loads).....	2
14	00-748017-00002	Panel - Cover (5 Ft.) (L-R Front; R-L Rear) (Use On 10 & 11 Ft. Loads).....	1
15	00-748019-00002	Panel - Cover (7 Ft.) (L-R Front; R-L Rear) (Use On 12, 13, & 14 Ft. Loads).....	1
16	00-748631-00004	Support - Upright (L-R Front; R-L Rear) (Use On 10 & 11 Ft. Loads).....	1
17	00-748631-00002	Support - Upright (L-R Front; R-L Rear) (Use On 12, 13, & 14 Ft. Loads).....	1
18	00-748993-00002	Panel - Cover Switch Mount (R-L Rear; L-R Front) (Use On 10 thru 14 Ft. Loads)	1
19	00-748987	Support Weldment - Upright.....	1
20	00-749273-00002	Panel - Cover (2 Ft.) (R-L Rear; L-R Front) (Use On 10 & 12 Ft. Loads).....	1
21	00-749274-00002	Panel - Cover (3 Ft.) (R-L Rear; L-R Front) (Use On 11 & 13 Ft. Loads).....	1
22	00-749275-00002	Panel - Cover (4 Ft.) (R-L Rear; L-R Front) (Use On 14 Ft. Load).....	1
23	00-749265-00002	Panel - Filler Angle (2 Ft.) (Use On 10 & 12 Ft. Loads).....	1
24	00-749265-00003	Panel - Filler Angle (2 Ft.) (Use On 11 & 13 Ft. Loads).....	1
25	00-749265-00004	Panel - Filler Angle (2 Ft.) (Use On 14 Ft. Load).....	1
26	00-476969-00002	Panel - Filler Angle (3 Ft.).....	2



**PANELS
(PREWASH 10 TO 14 FEET)
(CURRENT CONSTRUCTION)**

**PANELS
(PREWASH 10 TO 14 FEET)
(CURRENT CONSTRUCTION)**

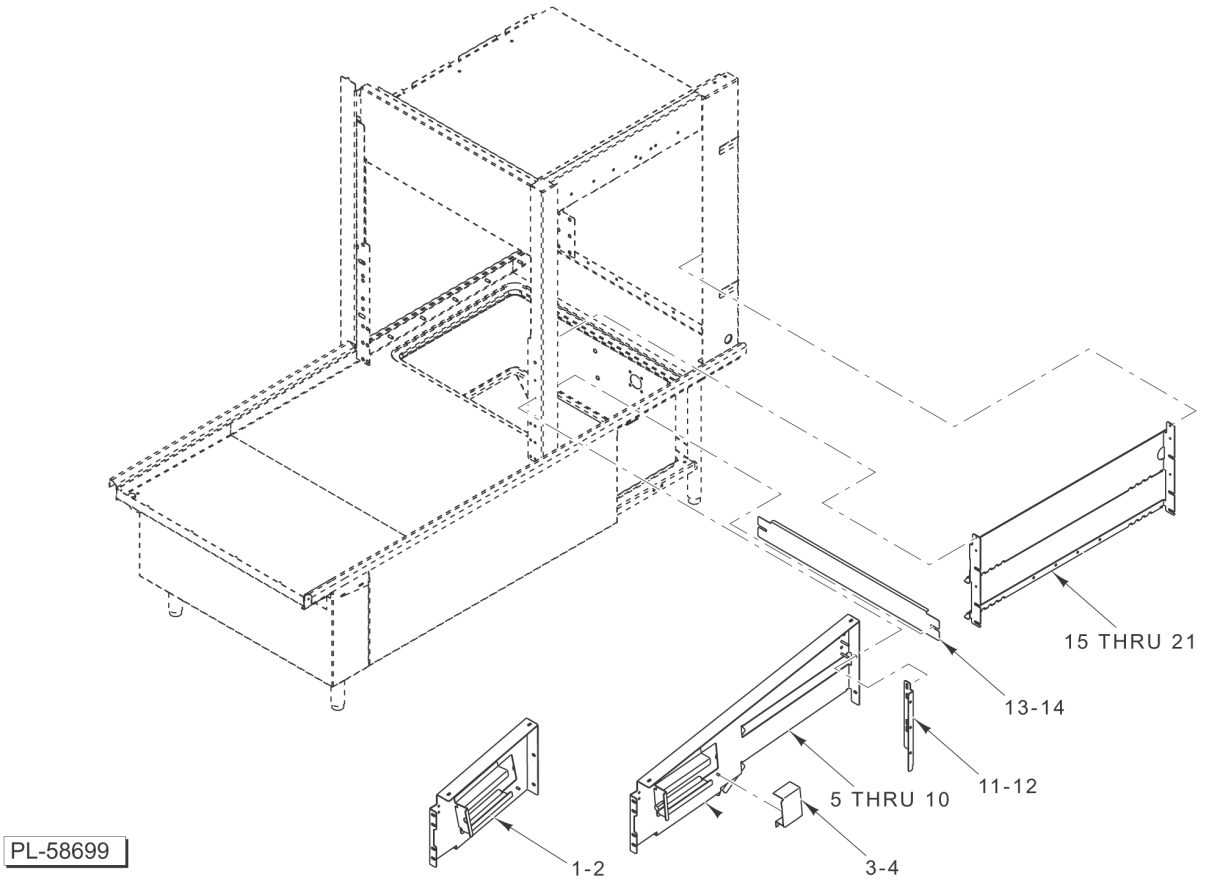
ILLUS. PL-58691	PART NO.	NAME OF PART	AMT.
1	00-475989-00002	Bracket - Support (L-R Rear; R-L Front).....	1
2	00-475989-00001	Bracket - Support (R-L Rear; L-R Front).....	1
3	00-892736-00001	Panel - Cover (5 Ft.) (L-R Rear; R-L Front) (Use On 10 & 11 Ft. Loads).....	AR
4	00-892737-00001	Panel - Cover (7 Ft.) (L-R Rear; R-L Front) (Use On 12, 13, & 14 Ft. Loads).....	AR
5	00-892736-00002	Panel - Cover (5 Ft.) (R-L Rear; L-R Front) (Use On 10 & 11 Ft. Loads).....	AR
6	00-892737-00002	Panel - Cover (7 Ft.) (R-L Rear; L-R Front) (Use On 12, 13, & 14 Ft. Loads).....	AR
7	00-892738	Support Weldment - Upright.....	2
8	00-892963-00002	Panel - Cover Magnet Assy. (L-R Front; R-L Rear) (Use On 10 thru 14 Ft. Loads)	1
9	00-892963-00001	Panel - Cover Magnet Assy. (R-L Front; L-R Rear) (Use On 10 thru 14 Ft. Loads)	1
10	00-892738	Support Weldment - Upright.....	2
11	00-892752-00001	Panel - Cover (2 Ft.) (R-L Front; L-R Rear) (Use On 10 & 12 Ft. Loads).....	1
12	00-892753-00001	Panel - Cover (3 Ft.) (R-L Front; L-R Rear) (Use On 11 & 13 Ft. Loads).....	1
13	00-892754-00001	Panel - Cover (4 Ft.) (R-L Front; L-R Rear) (Use On 14 Ft. Load).....	1
14	00-892752-00002	Panel - Cover (2 Ft.) (L-R Front; R-L Rear) (Use On 10 & 12 Ft. Loads).....	1
15	00-892753-00002	Panel - Cover (3 Ft.) (L-R Front; R-L Rear) (Use On 11 & 13 Ft. Loads).....	1
16	00-892754-00002	Panel - Cover (4 Ft.) (L-R Front; R-L Rear) (Use On 14 Ft. Load).....	1



**TRACKS
(PREWASH 5 TO 7 FEET)
(PREVIOUS CONSTRUCTION)**

**TRACKS
(PREWASH 5 TO 7 FEET)
(PREVIOUS CONSTRUCTION)**

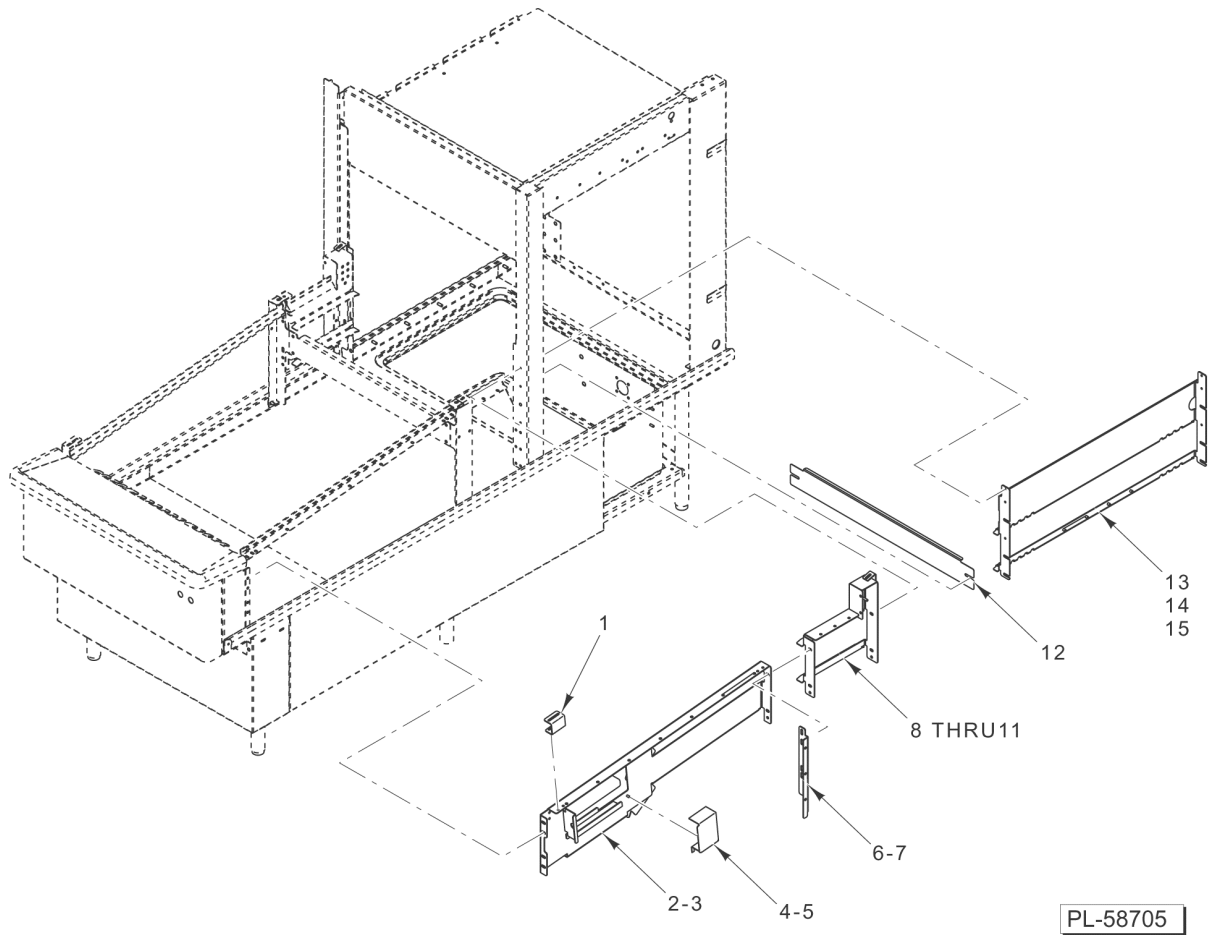
ILLUS. PL-58704	PART NO.	NAME OF PART	AMT.
1	00-475980-00001	Track (5 Ft. Load) (R-L Front Use With Hinged & Full Doors) (L-R Rear Use With All Doors).....	1
2	00-475980-00002	Track (5 Ft. Load) (L-R Front Use With Hinged & Full Doors) (R-L Rear Use With All Doors).....	1
3	00-748004-00001	Track (5 Ft. Load) (R-L Front) (Use with Split Doors).....	1
4	00-748004-00002	Track (5 Ft. Load) (L-R Front) (Use With Split Doors).....	1
5	00-476053-00001	Track (7 Ft. Load) (R-L Front Use With Full Doors) (Use On 6 & 7 Ft.).....	1
6	00-748011-00001	Track (7 Ft. Load) (R-L Front Use With Split Doors) (Use On 6 & 7 Ft.).....	1
7	00-748011-00002	Track (7 Ft. Load) (L-R Front Use With Split Doors) (Use On 6 & 7 Ft.).....	1
8	00-748162	Baffle - Track (5 Ft. Load).....	1
9	00-748161	Baffle - Track (6 & 7 Ft. Load).....	1
10	00-749246-00001	Bracket - Stop Rest (R-L Front; L-R Rear).....	1
11	00-749246-00002	Bracket - Stop Rest (L-R Front; R-L Rear).....	1
12	00-749250-00001	Support Weldment - Extension (5 Ft. Load) (R-L Front; L-R Rear).....	1
13	00-749250-00002	Support Weldment - Extension (5 Ft. Load) (L-R Front; R-L Rear).....	1
14	00-749251-00001	Support Weldment - Extension (6 Ft. Load) (R-L Front; L-R Rear).....	1
15	00-749251-00002	Support Weldment - Extension (6 Ft. Load) (R-L Rear; L-R Front).....	1
16	00-749252-00001	Support Weldment - Extension (7 Ft. Load) (R-L Front; L-R Rear).....	1
17	00-749252-00002	Support Weldment - Extension (7 Ft. Load) (L-R Front; R-L Rear).....	1
18	00-746861-00001	Cover - Sprocket (R-L Front; L-R Rear).....	1
19	00-746861-00002	Cover - Sprocket (L-R Front; R-L Rear).....	1
20	00-749387-00001	Panel - Retainer (R-L Front; L-R Rear).....	1
21	00-749387-00002	Panel - Retainer (R-L Rear; L-R Front).....	1



**TRACKS
(PREWASH 5 TO 7 FEET)
(CURRENT CONSTRUCTION)**

**TRACKS
(PREWASH 5 TO 7 FEET)
(CURRENT CONSTRUCTION)**

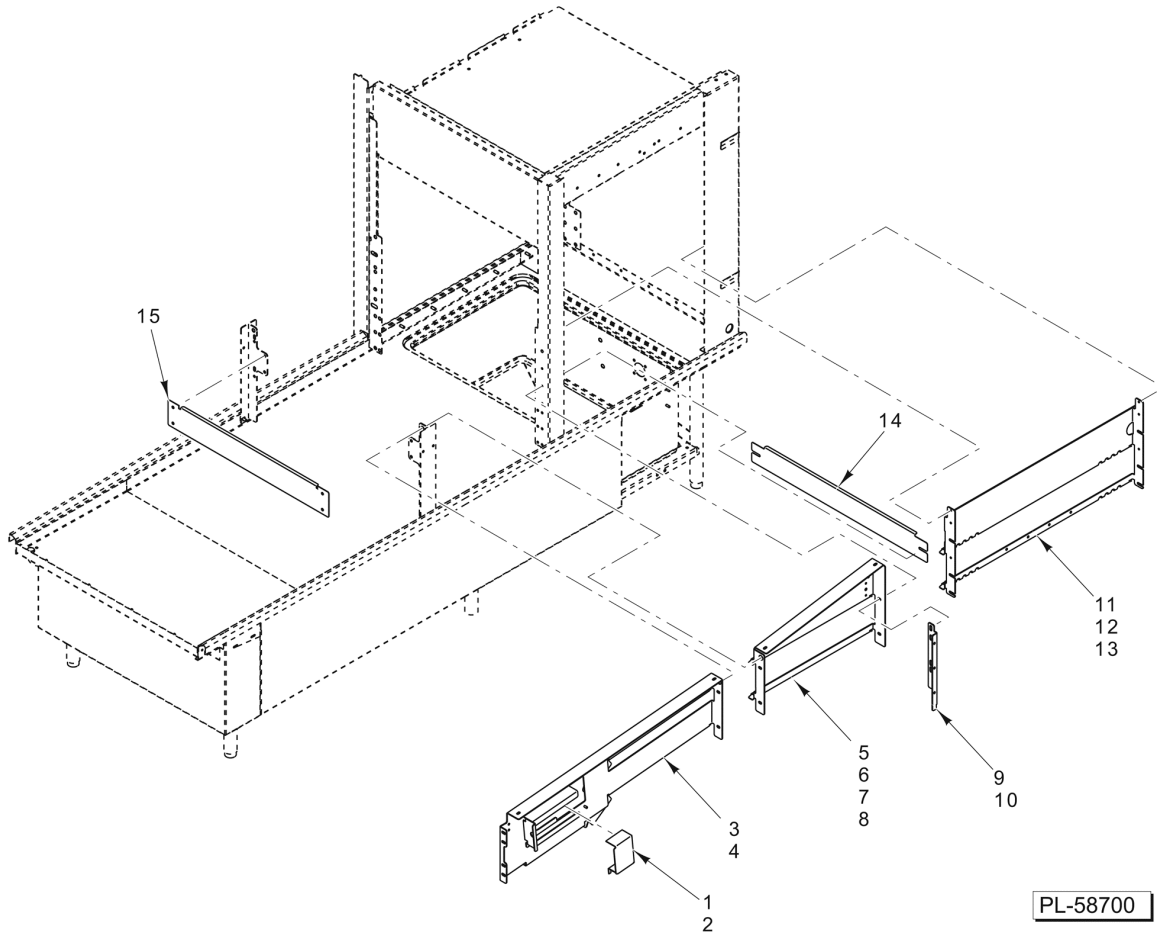
ILLUS. PL-58699	PART NO.	NAME OF PART	AMT.
1	00-892733-00001	Support - Extension (5 Ft. Load) (R-L Front; L-R Rear).....	1
2	00-892733-00002	Support - Extension (5 Ft. Load) (L-R Front; R-L Rear).....	1
3	00-476861-00001	Cover - Sprocket (R-L Front; L-R Rear).....	1
4	00-476861-00002	Cover - Sprocket (L-R Front; R-L Rear).....	1
5	00-892742-00001	Support Weldment - Extension (5 Ft. Load) (R-L Front; L-R Rear).....	1
6	00-892742-00002	Support Weldment - Extension (5 Ft. Load) (L-R Front; R-L Rear).....	1
7	00-892744-00001	Support Weldment - Extension (6 Ft. Load) (R-L Front; L-R Rear).....	1
8	00-892744-00002	Support Weldment - Extension (6 Ft. Load) (L-R Front; R-L Rear).....	1
9	00-892746-00001	Support Weldment - Extension (7 Ft. Load) (R-L Front; L-R Rear).....	1
10	00-892746-00002	Support Weldment - Extension (7 Ft. Load) (L-R Front; R-L Rear).....	1
11	00-749387-00001	Panel - Retainer (R-L Front; L-R Rear).....	1
12	00-749387-00002	Panel - Retainer (R-L Rear; L-R Front).....	1
13	00-748162	Baffle - Track (5 Ft. Load).....	1
14	00-748161	Baffle - Track (6 & 7 Ft. Load).....	1
15	00-475980-00001	Track (5 Ft. Load) (R-L Front, Use With Full Doors) (L-R Rear, Use With All Doors)	1
16	00-475980-00002	Track (5 Ft. Load) (R-L Rear, Use With All Doors) (L-R Front, Use With Full Doors)	1
17	00-476053-00001	Track (6 & 7 Ft. Load) (R-L Front, Use With Full Doors) (L-R Rear, Use With All Doors)	1
18	00-748004-00001	Track (5 Ft. Load) (R-L Front) (Use with Split Doors).....	1
19	00-748004-00002	Track (5 Ft. Load) (L-R Front) (Use With Split Doors).....	1
20	00-748011-00001	Track (6 & 7 Ft. Load) (R-L Front) (Use With Split Doors).....	1
21	00-748011-00002	Track (6 & 7 Ft. Load) (L-R Front) (Use With Split Doors).....	1



**TRACKS
(PREWASH 8 TO 9 FEET)
(PREVIOUS CONSTRUCTION)**

**TRACKS
(PREWASH 8 TO 9 FEET)
(PREVIOUS CONSTRUCTION)**

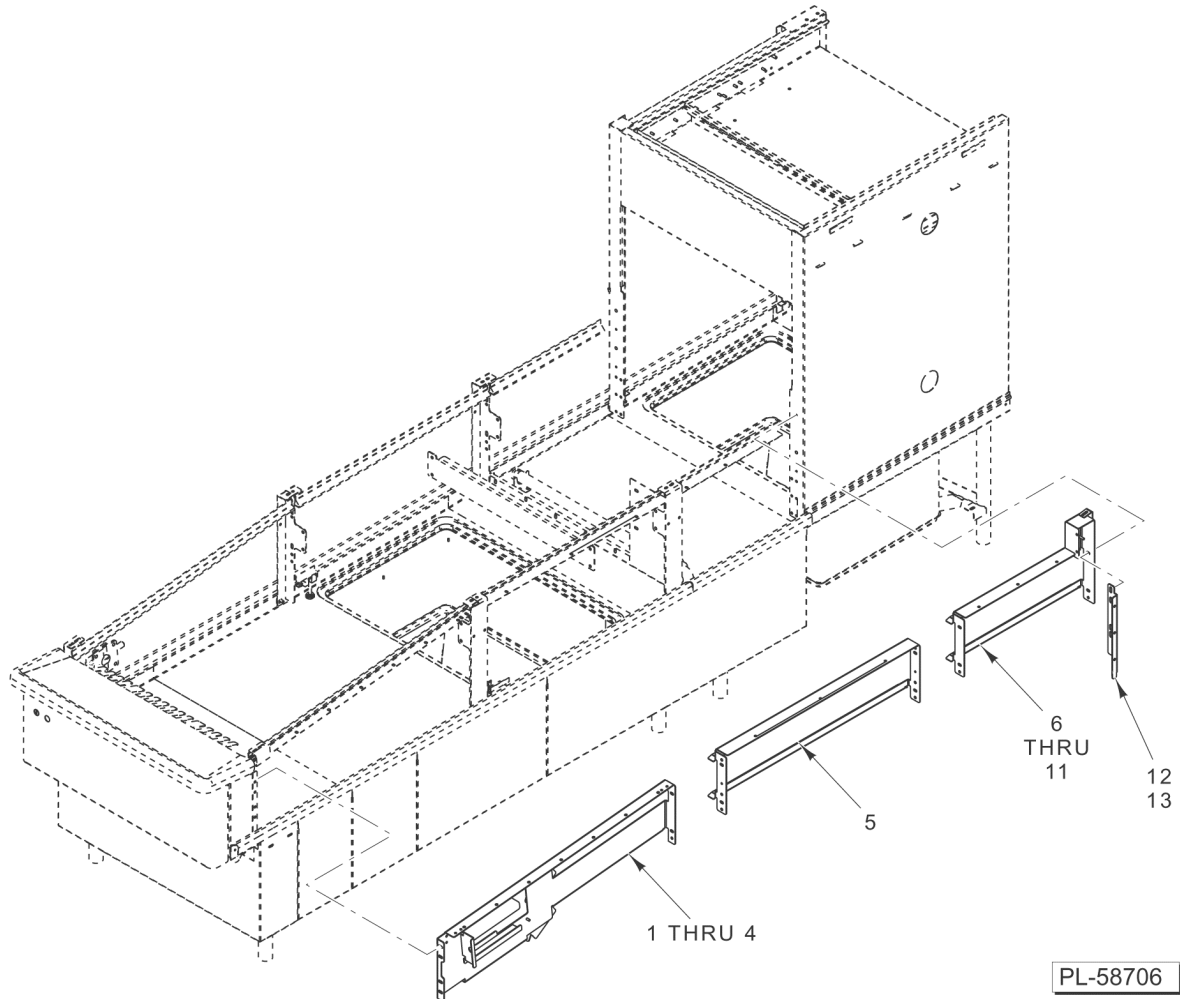
ILLUS. PL-58705	PART NO.	NAME OF PART	AMT.
1	00-476974	Bracket - Rest Locator.....	2
2	00-476052-00001	Support - Extension (R-L Front; L-R Rear).....	1
3	00-476052-00002	Support - Extension (L-R Front; R-L Rear).....	1
4	00-476861-00001	Cover - Sprocket (R-L Front; L-R Rear).....	1
5	00-476861-00002	Cover - Sprocket (L-R Front; R-L Rear).....	1
6	00-749387-00001	Panel - Retainer (R-L Front; L-R Rear).....	1
7	00-749387-00002	Panel - Retainer (R-L Rear; L-R Front).....	1
8	00-749264-00001	Weldment - Track W/O Dishguide (1 Ft.) (R-L Front; L-R Rear) (Use On 8 Ft. Load)	1
9	00-749569-00001	Weldment - Track W/O Dishguide (2 Ft.) (R-L Front; L-R Rear) (Use On 9 Ft. Load)	1
10	00-749264-00002	Weldment - Track W/O Dishguide (1 Ft.) (R-L Rear; L-R Front) (Use On 8 Ft. Load)	1
11	00-749569-00002	Weldment - Track W/O Dishguide (2 Ft.) (L-R Front; R-L Rear) (Use On 9 Ft. Load)	1
12	00-748161	Baffle - Track (7 Ft. Load).....	1
13	00-476053-00001	Track (7 Ft. Load) (Use With Hinged & Full Doors).....	2
14	00-748011-00001	Track (7 Ft. Load) (R-L Front) (L-R Rear) (Use With Split Doors).....	1
15	00-748011-00002	Track (7 Ft. Load) (L-R Front) (R-L Rear) (Use With Split Doors).....	1



**TRACKS
(PREWASH 8 TO 9 FEET)
(CURRENT CONSTRUCTION)**

**TRACKS
(PREWASH 8 TO 9 FEET)
(CURRENT CONSTRUCTION)**

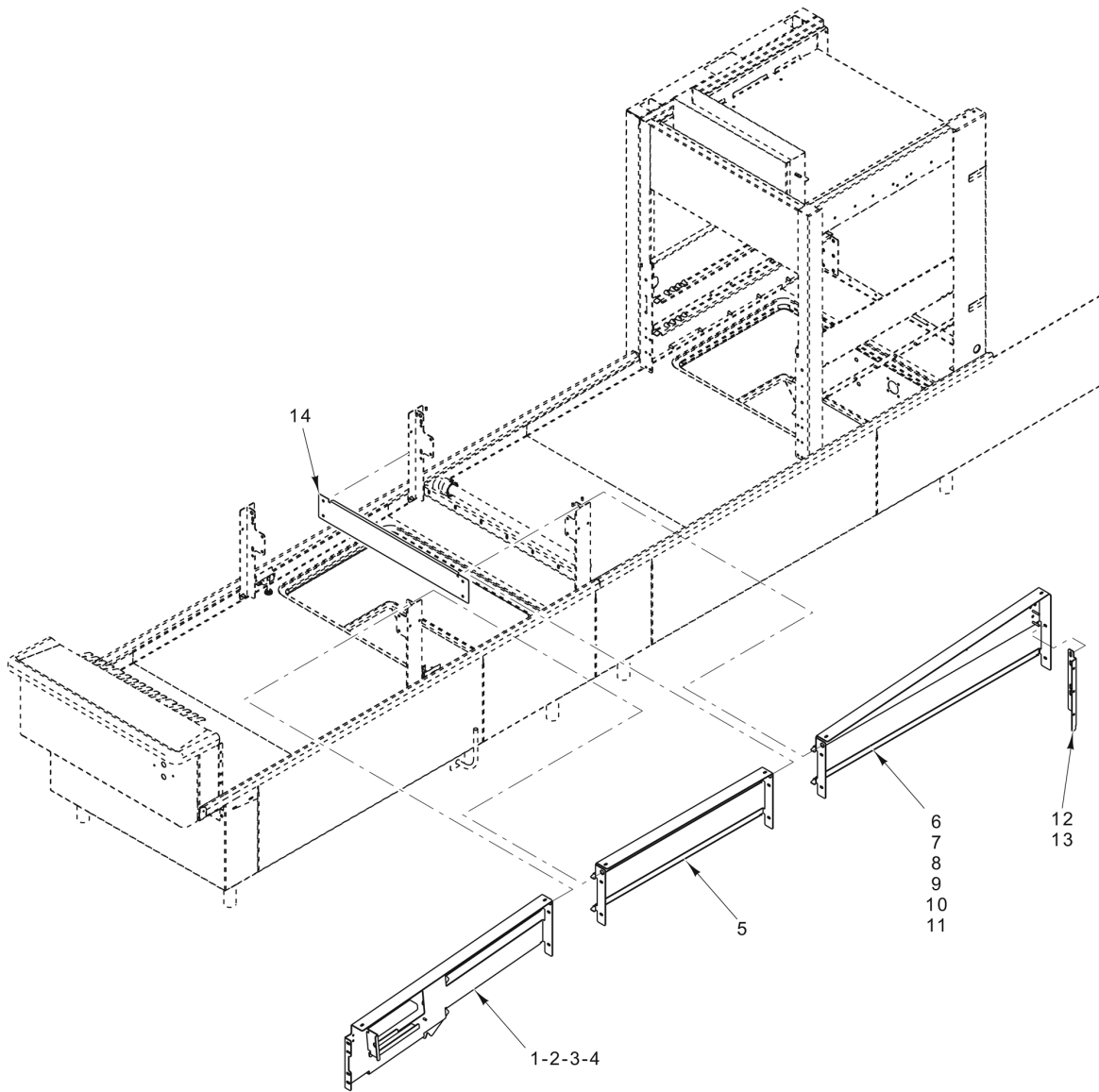
ILLUS.	PART NO.	NAME OF PART	AMT.
1	00-476861-00001	Cover - Sprocket (R-L Front; L-R Rear).....	1
2	00-476861-00002	Cover - Sprocket (L-R Front; R-L Rear).....	1
3	00-892735-00001	Support - Extension (8 & 9 Ft. Loads) (R-L Front; L-R Rear).....	1
4	00-892735-00002	Support - Extension (8 & 9 Ft. Loads) (L-R Front; R-L Rear).....	1
5	00-892748-00001	Track Without Dishguide (2 Ft. Lg.) (R-L Front; L-R Rear) (Use On 9 Ft. Load).....	1
6	00-892748-00002	Track Without Dishguide (2 Ft. Lg.) (L-R Front; R-L Rear) (Use On 9 Ft. Load).....	1
7	00-892747-00001	Track Without Dishguide (1 Ft. Lg.) (R-L Front; L-R Rear) (Use On 8 Ft. Load).....	1
8	00-892747-00002	Track Without Dishguide (1 Ft. Lg.) (L-R Front; R-L Rear) (Use On 8 Ft. Load).....	1
9	00-749387-00001	Panel - Retainer (R-L Front; L-R Rear).....	1
10	00-749387-00002	Panel - Retainer (R-L Rear; L-R Front).....	2
11	00-476053-00001	Track (7 Ft. Load) (R-L Front; L-R Rear) (Use With Full Doors).....	1
12	00-748011-00001	Track (7 Ft. Load) (R-L Front) (Use with Split Door).....	1
13	00-748011-00002	Track (7 Ft. Load) (L-R Front) (Use with Split Door).....	1
14	00-748161	Baffle - Track.....	1
15	00-476854	Stringer - Unload.....	1



**TRACKS
(PREWASH 10 TO 14 FEET)
(PREVIOUS CONSTRUCTION)**

**TRACKS
(PREWASH 10 TO 14 FEET)
(PREVIOUS CONSTRUCTION)**

ILLUS. PL-58706	PART NO.	NAME OF PART	AMT.
1	00-475993-00001	Support - Extension (R-L Front; L-R Rear) (Use On 10 & 11 Ft.).....	1
2	00-476052-00001	Support - Extension (R-L Front; L-R Rear) (Use On 12, 13, & 14 Ft.).....	1
3	00-475993-00002	Support - Extension (L-R Front) (R-L Rear) (Use On 10 & 11 Ft.).....	1
4	00-476052-00002	Support - Extension (L-R Front; R-L Rear) (Use On 12, 13, & 14 Ft.).....	1
5	00-476315-00005	Track - Without Dishguide (3 Ft.).....	2
6	00-749569-00001	Weldment - Track W/O Dishguide (2 Ft.) (R-L Front; L-R Rear) (Use On 10 & 12 Ft.)	1
7	00-749570-00001	Weldment - Track W/O Dishguide (3 Ft.) (R-L Front; L-R Rear) (Use On 11 & 13 Ft.)	1
8	00-749571-00001	Weldment - Track W/O Dishguide (4 Ft.) (R-L Front; L-R Rear) (Use On 14 Ft.).....	1
9	00-749569-00002	Weldment - Track W/O Dishguide (2 Ft.) (L-R Front; R-L Rear) (Use On 10 & 12 Ft.)	1
10	00-749570-00002	Weldment - Track W/O Dishguide (3 Ft.) (L-R Front; R-L Rear) (Use On 11 & 13 Ft.)	1
11	00-749571-00002	Weldment - Track W/O Dishguide (4 Ft.) (L-R Front; R-L Rear) (Use On 14 Ft.).....	1
12	00-749387-00001	Panel - Retainer (R-L Front; L-R Rear).....	1
13	00-749387-00002	Panel - Retainer (R-L Rear; L-R Front).....	1

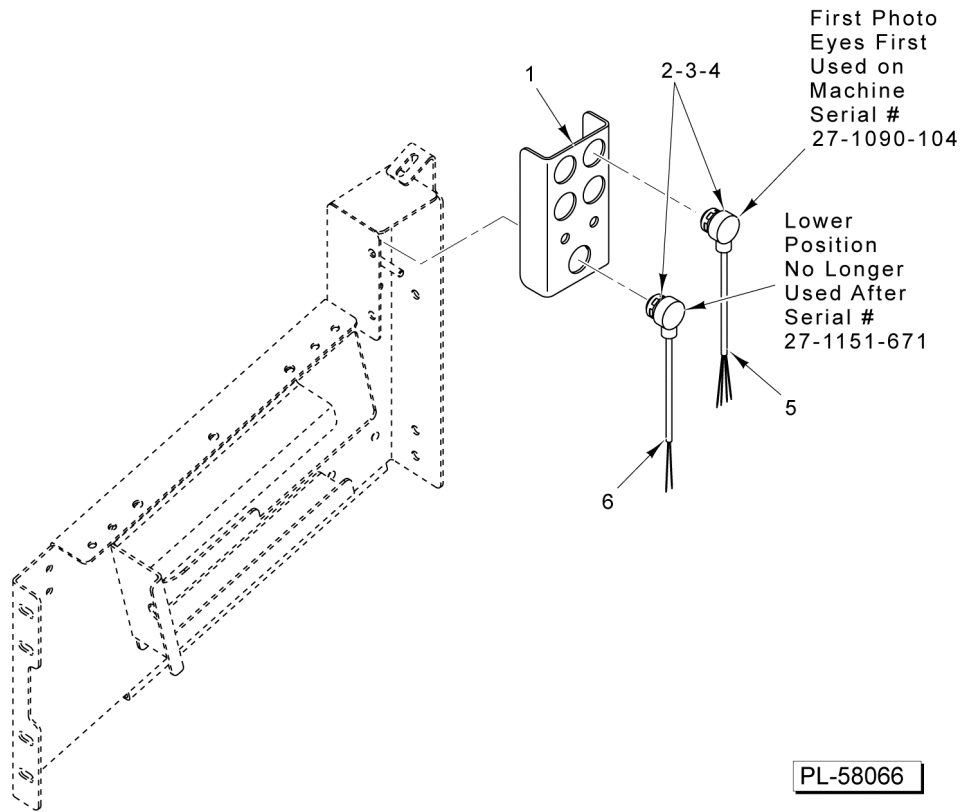


PL-58695

**TRACKS
(PREWASH 10 TO 14 FEET)
(CURRENT CONSTRUCTION)**

**TRACKS
(PREWASH 10 TO 14 FEET)
(CURRENT CONSTRUCTION)**

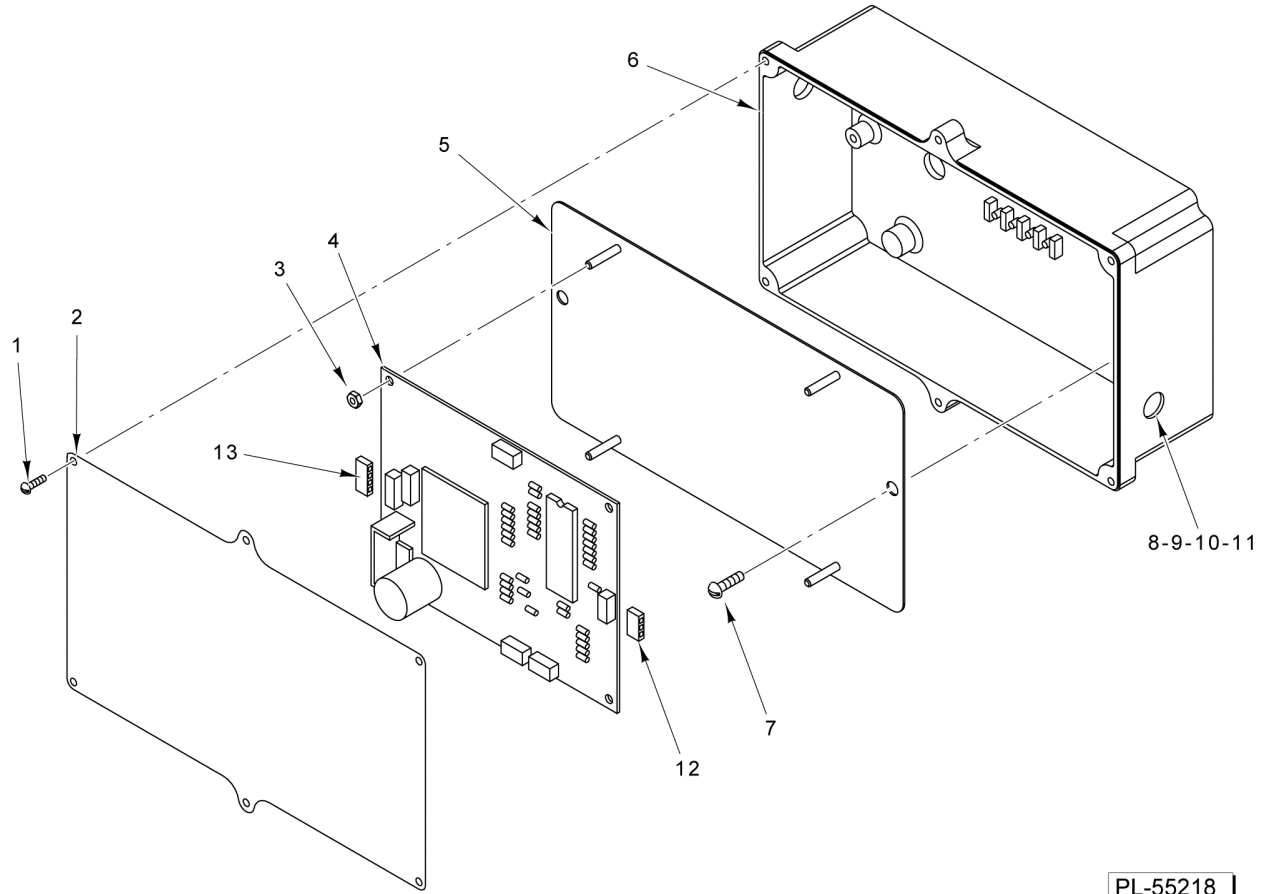
ILLUS. PL-58695	PART NO.	NAME OF PART	AMT.
1	00-892733-00001	Support - Extension (5 Ft. Load) (R-L Front; L-R Rear) (Use On 10 & 11 Ft.).....	1
2	00-892735-00001	Support - Extension (7 Ft. Lg.) (L-R Rear; R-L Front) (Use On 12, 13, & 14 Ft.).....	1
3	00-892733-00002	Support - Extension (5 Ft. Lg.) (L-R Front; R-L Rear) (Use On 10 & 11 Ft.).....	1
4	00-892735-00002	Support - Extension (7 Ft. Lg.) (L-R Front; R-L Rear) (Use On 12, 13, & 14 Ft.).....	1
5	00-892960	Track - Straight (3 Ft.).....	2
6	00-892748-00001	Track Without Dishguide (2 Ft. Lg.) (L-R Rear; R-L Front) (Use on 10, 12, & 13 Ft.)	1
7	00-892749-00001	Track Without Dishguide (3 Ft. Lg.) (L-R Rear; R-L Front) (Use On 11 Ft.).....	1
8	00-892750-00001	Track Without Dishguide (4 Ft. Lg.) (L-R Rear; R-L Front) (Use On 14 Ft.).....	1
9	00-892748-00002	Track Without Dishguide (2 Ft. Lg.) (L-R Front; R-L Rear) (Use on 10, 12, & 13 Ft.)	1
10	00-892749-00002	Track Without Dishguide (3 Ft.) (L-R Front; R-L Rear) (Use On 11 Ft.).....	1
11	00-892750-00002	Track Without Dishguide (4 Ft.) (L-R Front; R-L Rear) (Use On 14 Ft.).....	1
12	00-749387-00001	Panel - Retainer (R-L Front; L-R Rear).....	1
13	00-749387-00002	Panel - Retainer (R-L Rear; L-R Front).....	1
14	00-476854	Stringer - Unload.....	2



PHOTOELECTRIC EYE AND BRACKET

PHOTOELECTRIC EYE AND BRACKET

ILLUS. PL-58066	PART NO.	NAME OF PART	AMT.
1	00-749287	Bracket - Eye.....AR	AR
2	00-749513-00004	Receiver (15 Ft. Cable) (30 In, 42 In, & 54 In Load).....AR	AR
3	00-749513-00003	Emitter (15 Ft. Cable) (30 In. Load).....AR	AR
4	FE-021-26	Bushing - Electric Snap.....AR	AR
5	00-913135-00159	TE Connectors, 4 Circuits.....AR	AR
6	00-913135-00158	TE Connectors, 2 Circuits.....AR	AR

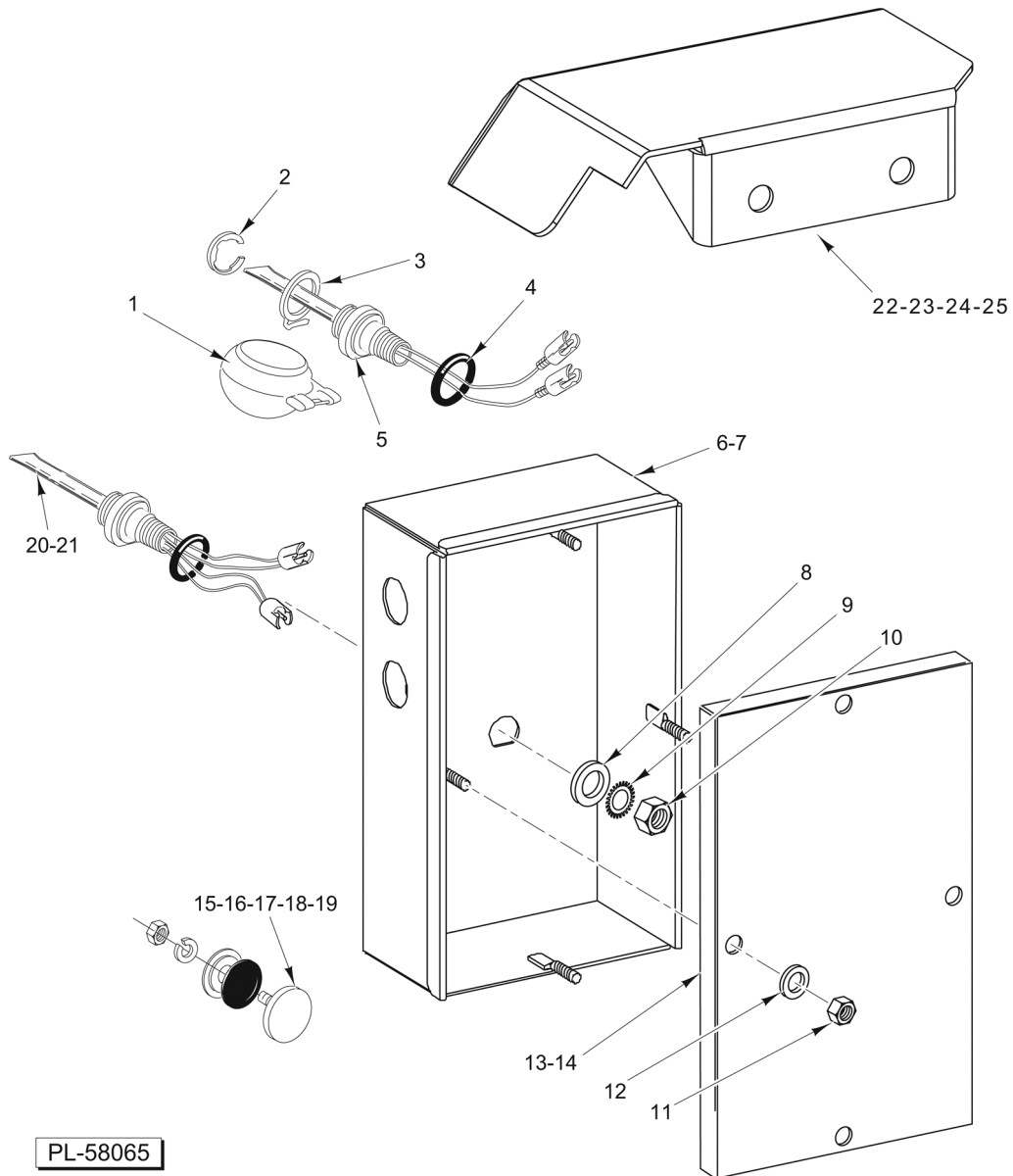


PL-55218

**PHOTOELECTRIC EYE CONTROL BOX
(PREVIOUS CONSTRUCTION)**

**PHOTOELECTRIC EYE CONTROL BOX
(PREVIOUS CONSTRUCTION)**

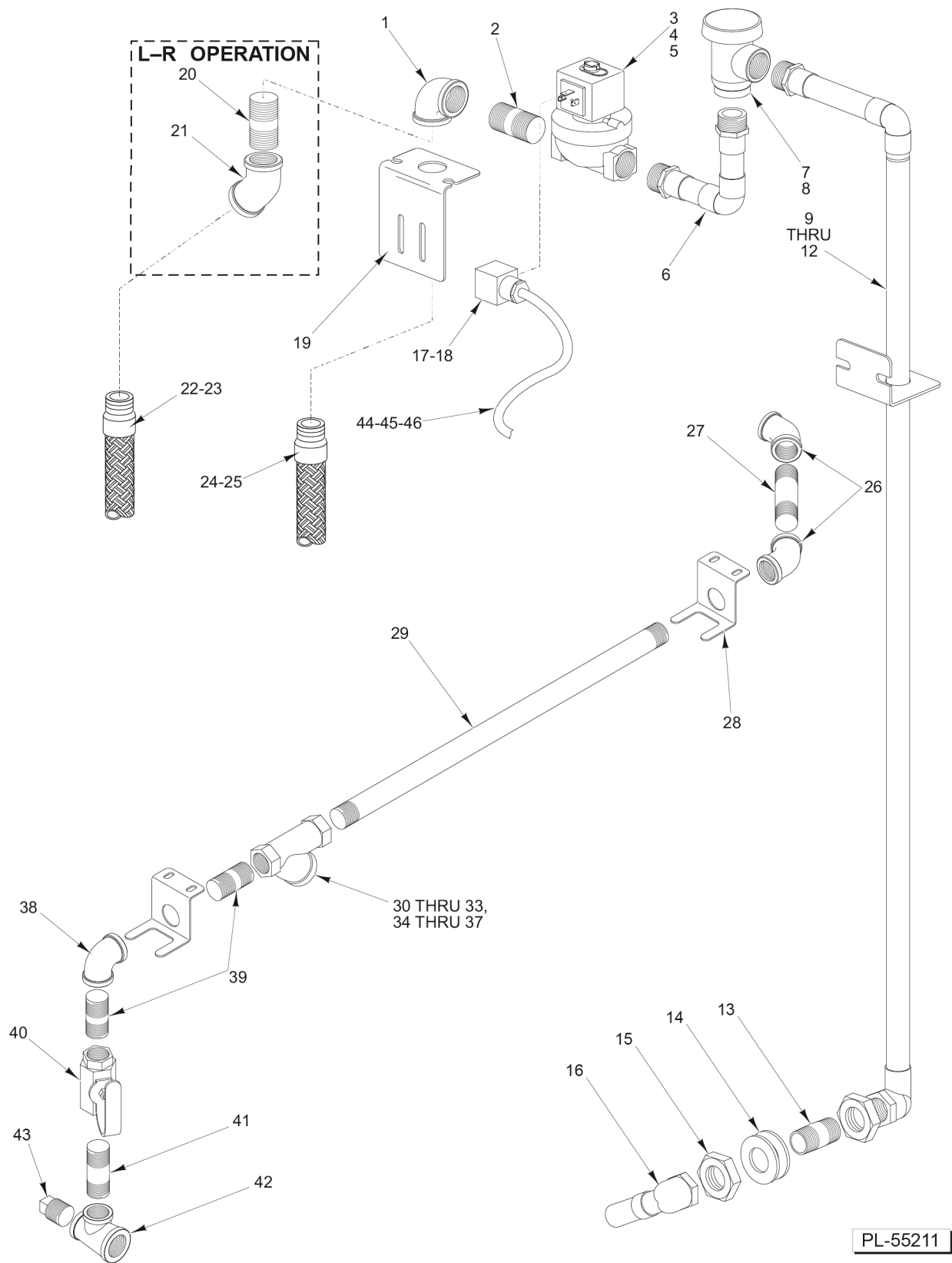
ILLUS.	PART NO.	NAME OF PART	AMT.
PL-55218			
1	SD-012-20	Self-Tapping Screw 8-32 x 1/2 Phil. Truss Hd., Type T.....	6
2	00-289146-00001	Lid & Gasket Assy.....	1
3	NS-031-50	Stop Nut 6-32 Hex (SST).....	4
4	00-893650	Kit - Final Rinse Board.....	1
5	00-749480	Base Plate - Final Rinse.....	1
6	00-749477	Box - Electric Final Rinse.....	1
7	SD-012-04	Self-Tapping Screw 8-32 x 3/8 Phil. Truss Hd., Type T.....	4
8	FE-022-84	Connector - Strain Relief.....	2
9	FE-024-88	Lock Nut 1/2 Electrical.....	2
10	FE-025-96	Strain Relief - Electrical.....	2
11	00-476745-00063	Cable Assy. (Board to Inverter Cable).....	1
12	00-122769-00006	Connector (3 Circuit) (J2 Cable).....	1
13	00-122769-00007	Connector (4 Circuit) (J3 Cable).....	1



**PROBES
(PREWASH SECTION)**

**PROBES
(PREWASH SECTION)**

ILLUS.	PART NO.	NAME OF PART	AMT.
PL-58065			
1	00-122674	Float Assy.....	AR
2	RR-010-13	Retaining Ring.....	2
3	00-112467	Retainer - Float.....	2
4	00-067500-00072	O-Ring.....	2
5	00-936547-00001	Probe & Switch Assy. (2-Wire) (Short) (Upper Position).....	1
6	00-475906	Box - Probe (Prewash) (Previous Construction).....	1
7	00-918916-00001	Box - Probe (New Controls) (With PWTC).....	1
8	WS-010-40	Washer - Thrust.....	2
9	WL-014-31	Lockwasher 1/2 External Shakeproof (SST).....	2
10	NS-018-28	Jam Nut 1/2-20 Hex (SST).....	2
11	NS-031-15	Stop Nut 10-24 Hex (SST).....	4
12	WS-019-06	Washer.....	4
13	00-474574-00002	Lid Assy. (Incls. Item 14).....	1
14	00-474569	Gasket.....	1
15	00-119244-00002	Cap.....	1
16	00-067500-00031	O-Ring.....	1
17	00-119254	Retainer - Cap & Stud.....	1
18	WL-006-17	Lockwasher 1/4 Helical (SST).....	1
19	NS-015-01	Nut 1/4-20 Hex (SST).....	1
20	00-936547-00002	Switch & Probe Assy. (4-Wire) (Short) (Lower Position).....	1
21	00-328495	Probe & Float Assy.(2 Wire)(Lower Position Without PWTC)(Previous Construction)	1
22	00-918449	Guard - Float & Probe.....	1
23	NS-015-11	Nut 5/16-18 Hex (SST).....	2
24	WL-006-23	Lockwasher 5/16 Helical (SST).....	2
25	WS-017-01	Washer 0.328 x 0.875 x 0.062 (SST).....	2

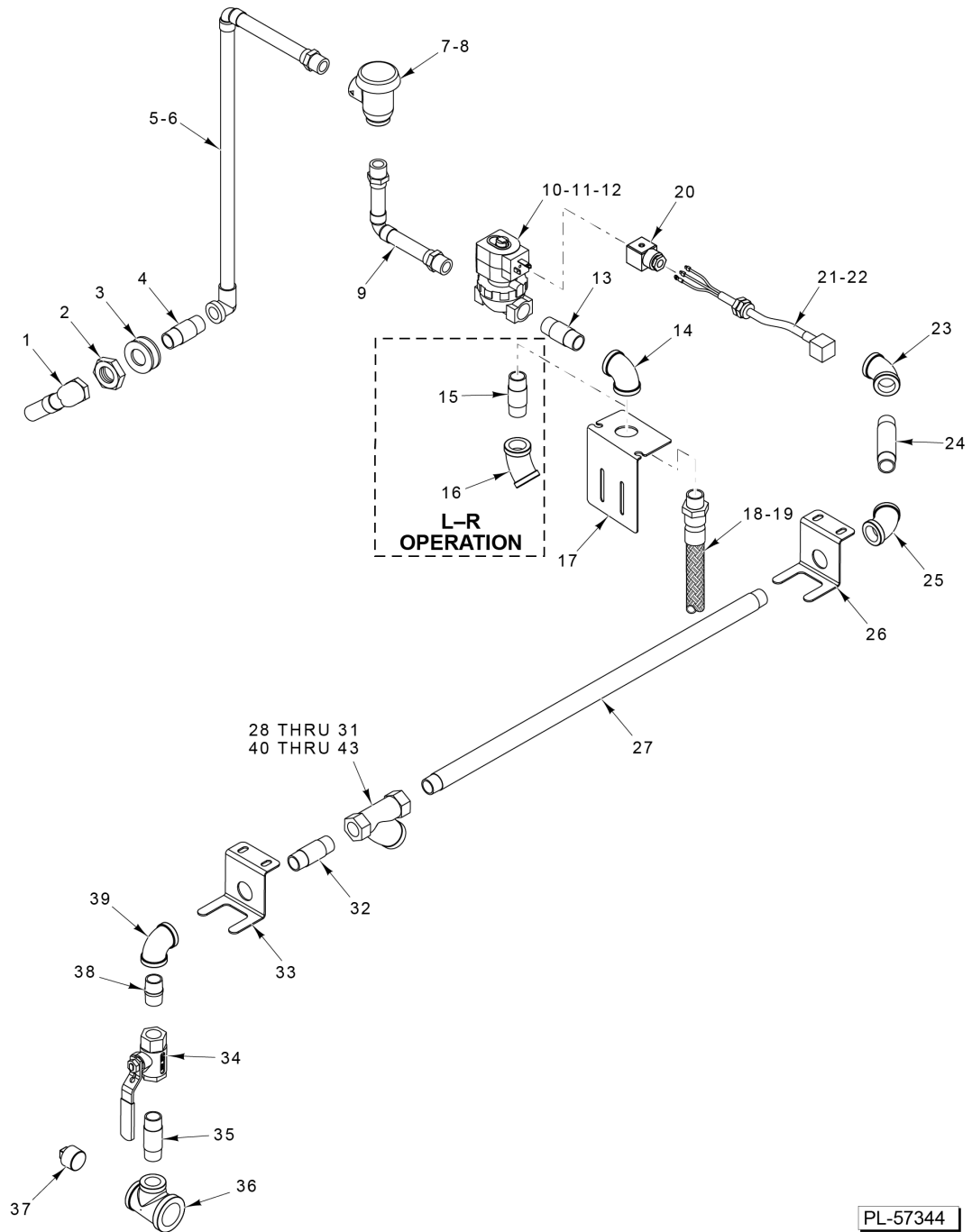


**PREWASH TEMPERATURE CONTROL
(PREVIOUS CONSTRUCTION)**

**PREWASH TEMPERATURE CONTROL
(PREVIOUS CONSTRUCTION)**

ILLUS.	PART NO.	NAME OF PART	AMT.
PL-55211			
1	FP-015-23	Elbow 3/4 x 90 Deg. (Brass).....	1
2	FP-041-50	Pipe 3/4 x 1-3/8 TBE (Brass).....	1
3	00-749980	Valve - Solenoid 3/4 (110-120/50/60) (Incls. Items 4 & 5).....	1
4	00-892132	Coil - Solenoid Valve (120 V.).....	1
5	00-892133	Repair Kit - Solenoid Valve.....	1
6	00-748073	Piping - Solenoid Valve to Vacuum Breaker.....	1
7	00-277112	Vacuum Breaker (3/4) (Incls. Item 8).....	1
8	00-118270	Service Kit - Vacuum Breaker (Float & Seal Assy.).....	1
9	00-476882-00003	Piping - Lower Fill (R-L) (Standard Height).....	1
10	00-476882-00001	Piping - Lower Fill (R-L) (6 In. Higher Than Standard).....	1
11	00-476882-00004	Piping - Lower Fill (L-R) (Standard Height).....	1
12	00-476882-00002	Piping - Lower Fill (L-R) (6 In. Higher Than Standard).....	1
13	FP-043-94	Pipe 3/4 x 2 TBE (1-1/4 RTOE) (Brass).....	1
14	WS-013-45	Washer.....	2
15	FP-030-17	Lock Nut 3/4 NPSL Pipe (Brass).....	2
16	00-476386	Piping Assy. (Inside Fill).....	1
17	00-476615	Connector - Din.....	1
18	00-294357-00002	Housing - Connector (Black).....	AR
19	00-476286	Support - Fill Piping.....	1
20	FP-041-50	Pipe 3/4 x 1-3/8 TBE (Brass).....	1
21	FP-015-22	Elbow Pipe 3/4 x 45 Deg. (Brass).....	1
22	00-749153-00002	Braided Water Hose 3/4 In. x 84 In. (SST) (L-R) (Standard Height).....	1
23	00-749153-00003	Braided Water Hose 3/4 In. x 96 In. (SST) (L-R) (6 In. Higher Than Standard).....	1
24	00-749153-00001	Braided Water Hose 3/4 In. x 66 In. (SST) (R-L) (Standard Height).....	1
25	00-749153-00002	Braided Water Hose 3/4 In. x 84 In. (SST) (R-L) (6 In. Higher Than Standard).....	1
26	FP-015-22	Elbow Pipe 3/4 x 45 Deg. (Brass).....	2
27	FP-041-66	Pipe 3/4 x 3 TBE (Brass).....	1
28	00-748091	Support - Piping.....	2
29	FP-082-60	Pipe 3/4 x 21 TBE (Brass).....	1
*30	00-186922	Strainer - Line (3/4 In.) (Brass) (Kitz) (Incls. Items 31, 32, & 33) (Alternate to Item 34).....	1
31	00-186923	Plug - Branch.....	1
32	00-186924	Gasket - Branch Plug.....	1
33	00-186925	Screen - Line Strainer.....	1
*34	00-186922	Strainer - Line (3/4 In.) (Brass) (Apollo / Conbraco) (Incls. Items 35, 36, & 37) (Alternate to Item 30).....	1
35	00-749802-00001	Cap.....	1
36	00-749802-00002	Gasket.....	1
37	00-749802-00003	Screen (80 Mesh).....	1
38	FP-015-23	Elbow 3/4 x 90 Deg. (Brass).....	1
39	FP-041-50	Pipe 3/4 x 1-3/8 TBE (Brass).....	2
40	00-223220-00003	Valve 3/4 In. Ball.....	1
41	FP-041-57	Pipe 3/4 x 2-1/4 TBE (Brass).....	1
42	FP-019-40	Tee - Pipe 1 x 3/4 x 3/4 (Brass).....	1
43	FP-028-19	Pipe Plug 3/4 Sq. Hd. (Brass).....	1
44	00-476745-00008	Cable Assy. - Fill Valve.....	1
45	00-476745-00021	Cable Assy. - Probe (R-L).....	AR
46	00-476745-00022	Cable Assy. - Probe (L-R).....	AR

* Kitz line strainer is approx. 1/4" shorter than Apollo / Conbraco.

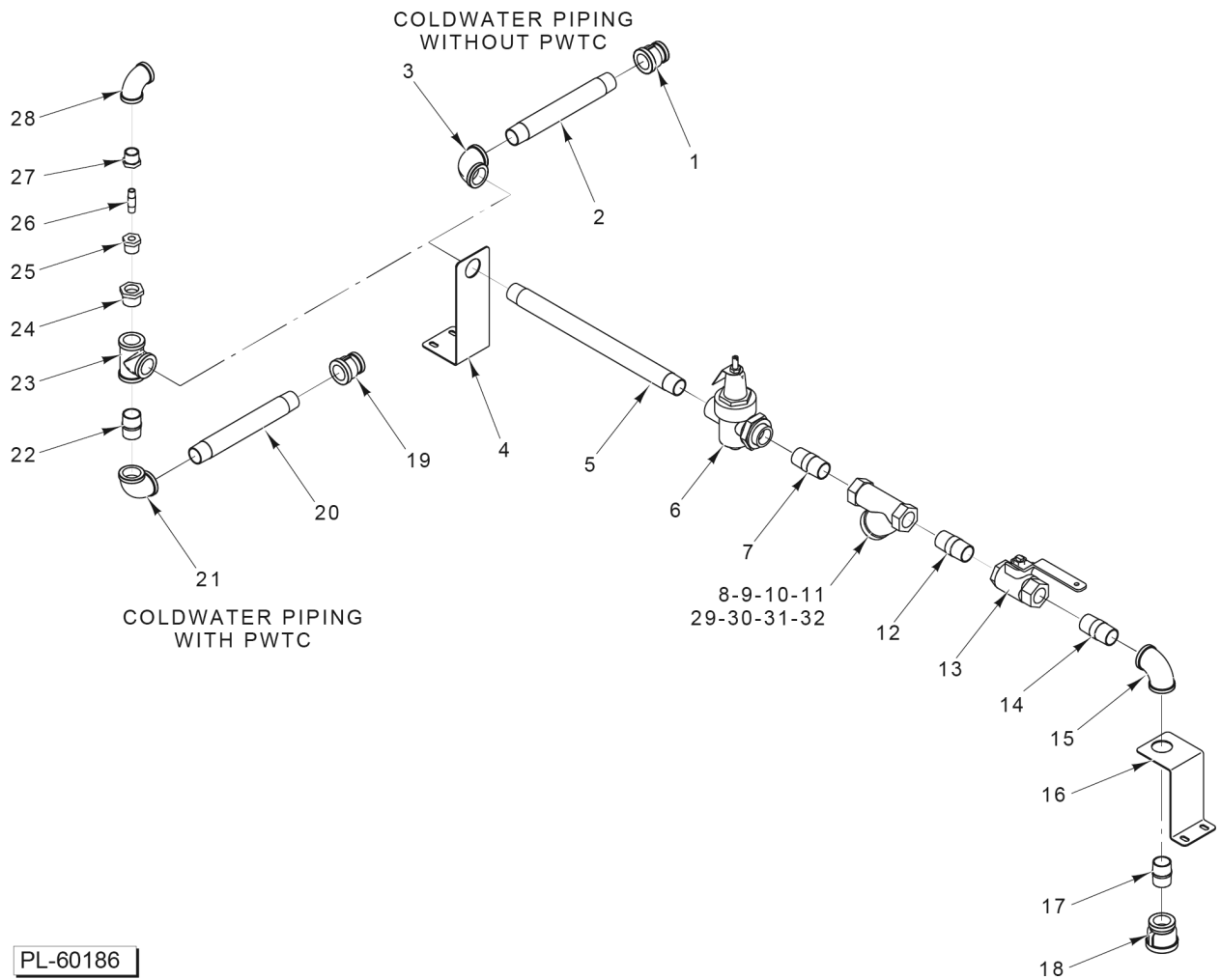


**PREWASH TEMPERATURE CONTROL
(CURRENT CONSTRUCTION)**

**PREWASH TEMPERATURE CONTROL
(CURRENT CONSTRUCTION)**

ILLUS. PL-57344	PART NO.	NAME OF PART	AMT.
1	00-074957	Elbow 1/2 x 90 Deg.....	1
2	FP-030-16	Lock Nut 1/2 Pipe (Brass).....	1
3	WS-012-40	Washer (SST).....	1
4	FP-090-12	Pipe 1/2 x 2 TBE (Brass).....	1
5	00-893465-00002	Piping 1/2 In. PWTC Fill Subassy. (L-R).....	1
6	00-893465-00001	Piping 1/2 In. PWTC Fill Subassy. (R-L).....	1
7	00-292909-00002	Vacuum Breaker 1/2 In.....	1
8	00-292910	Service Kit - Vacuum Breaker.....	1
9	00-893411	Piping - Upper Fill.....	1
10	00-893100-00001	Solenoid Valve (1/2) (120 V.).....	1
11	00-893101	Service Kit - 1/2 Solenoid Valve.....	1
12	00-892132	Coil - Solenoid Valve (120 V.).....	1
13	FP-040-50	Pipe 1/2 x 2 TBE (Brass).....	1
14	FP-015-16	Elbow - Pipe 1/2 x 90 Deg. (Brass).....	1
15	FP-040-50	Pipe 1/2 x 2 TBE (Brass).....	1
16	FP-015-15	Elbow - Pipe 1/2 x 45 Deg. (Brass).....	1
17	00-476286-00002	Support - Fill Piping.....	1
18	00-893444-00002	Braided Water Hose 1/2 x 84 In. (SST).....	1
19	00-893444-00001	Braided Water Hose 1/2 x 66 In. (SST).....	1
20	00-476615	Connector - Din (Old Controls).....	1
21	00-476745-00008	Cable Assy. - Fill Valve (Old Controls).....	1
22	00-918568-021-5	Cable Assy. (New Controls).....	1
23	FP-015-15	Elbow - Pipe 1/2 x 45 Deg. (Brass).....	1
24	FP-040-69	Pipe 1/2 x 3-1/2 TBE (Brass).....	1
25	FP-015-15	Elbow - Pipe 1/2 x 45 Deg. (Brass).....	1
26	00-748091-00002	Bracket - Support.....	1
27	FP-041-36	Pipe 1/2 x 21-1/2 TBE (Brass).....	1
*28	00-270258	Strainer - Line (1/2) (Brass) (Kitz) (Incls. Items 29, 30, & 31) (Alternate to Item 40)	1
29	00-270259	Plug - Branch.....	1
30	00-270260	Screen - Strainer (1/2 In.).....	1
31	00-270261	Gasket.....	1
32	FP-040-53	Pipe 1/2 x 2-3/4 TBE (Brass).....	1
33	00-748091-00002	Bracket - Support.....	1
34	00-893520	Ball Valve 1/2.....	1
35	FP-040-50	Pipe 1/2 x 2 TBE (Brass).....	1
36	FP-090-13	Tee - Pipe 1 x 3/4 x 1/2 (Brass).....	1
37	FP-028-19	Pipe Plug 3/4 Sq. Hd. (Brass).....	1
38	FP-040-43	Pipe 1/2 x 1-1/4 TBE (Brass).....	1
39	FP-015-16	Elbow - Pipe 1/2 x 90 Deg. (Brass).....	1
*40	00-892921	Strainer - Line (1/2) (Brass) (Conbraco) (Incls. Items 41, 42, & 43) (Alternate to Item 28).....	1
41	00-892922-00001	Cap.....	1
42	00-892922-00002	Gasket.....	1
43	00-892922-00003	Screen.....	1

* Kitz line strainer is approx. 0.43 inches longer than Conbraco.



COLD WATER PIPING

COLD WATER PIPING

ILLUS.	PART NO.	NAME OF PART	AMT.
PL-60186			
1	FP-077-63	Coupling - Reducing 3/4 x 1/2 (Brass).....	1
2	FP-042-06	Pipe 3/4 x 7-1/2 (Brass).....	1
3	FP-015-23	Elbow 3/4 x 90 Deg. (Brass).....	1
4	00-936721	Bracket - Rear Hot Water Piping.....	1
5	FP-046-76	Pipe 3/4 x 12-3/4 TBE (Brass).....	1
6	00-893294-00003	Valve - Pressure Reducing (3/4 In. With Strainer).....	1
7	FP-041-54	Pipe 3/4 x 2 (Brass).....	1
8	00-186922	Strainer - Line (3/4 In.) (Brass) (Kitz) (Incls. Items 9, 10, & 11) (Alternate to Item 29)	1
9	00-186923	Plug - Branch.....	1
10	00-186924	Gasket - Branch Plug.....	1
11	00-186925	Screen - Line Strainer.....	1
12	FP-041-54	Pipe 3/4 x 2 (Brass).....	1
13	00-223220-00003	Valve 3/4 In. Ball.....	1
14	FP-041-54	Pipe 3/4 x 2 (Brass).....	1
15	FP-015-23	Elbow 3/4 x 90 Deg. (Brass).....	1
16	00-936720	Bracket - Front Cold Water Piping.....	1
17	FP-041-50	Pipe 3/4 x 1-3/8 TBE (Brass).....	1
18	FP-083-99	Coupling - Reducing 1 to 3/4 (Brass).....	1
19	FP-077-63	Coupling - Reducing 3/4 x 1/2 (Brass).....	1
20	FP-042-06	Pipe 3/4 x 7-1/2 (Brass).....	1
21	FP-015-23	Elbow 3/4 x 90 Deg. (Brass).....	1
22	FP-041-50	Pipe 3/4 x 1-3/8 TBE (Brass).....	1
23	FP-019-28	Tee - Pipe 3/4 x 3/4 x 3/4 (Brass).....	1
24	FP-027-22	Bushing - Pipe 3/4 to 1/2 (Brass).....	1
25	FP-027-06	Bushing - Pipe 1/2 To 1/8 (Brass).....	1
26	FP-040-03	Pipe 1/8 x 1-3/8 TBE (Brass).....	1
27	FP-027-06	Bushing - Pipe 1/2 To 1/8 (Brass).....	1
28	FP-015-16	Elbow - Pipe 1/2 x 90 Deg. (Brass).....	1
*29	00-186922	Strainer - Line (3/4 In.) (Brass) (Apollo / Conbraco) (Incls. Items 30, 31, & 32) (Alternate to Item 8).....	1
30	00-749802-00001	Cap.....	1
31	00-749802-00002	Gasket.....	1
32	00-749802-00003	Screen (80 Mesh).....	1

* Kitz line strainer is approx. 1/4" shorter than Apollo / Conbraco.

Item Number	Cable Designation	Description	Length (Inches)
1	J2	Door Interlock Cable (Control Box to 7TB)	224
2	J3	Water Valve Cable (Control Box to 8TB)	224
3	J5	Electric Heat Control Box Harness (FT900 & FT900D)	n/a
4	J5	Electric Heat Control Box Harness (FT900S & FT900SD)	n/a
5	J6	Electric Booster Control Cable (Control Box to Booster)	100
6	J8	Load Start/Stop Switch Box Cable (Control Box to Switch Box)	335
7	J9	Unload Start/Stop Switch Box Cable (Control Box to Switch Box)	206
8	J10	Tank "D" / Dual Rinse Cable (Control Box to Float Box)	97
9	J11	Tank "3" / Prewash Cable (Control Box to Float Box)	220
10	J12	Tank "1" Rinse Cable (Control Box to Float Box)	125
11	J13	Tank "2" Rinse Cable (Control Box to Float Box)	178
12	J14	Frequency Inverter Harness (Control Board to Inverter)	n/a
13	J15	Final Rinse Probe (Control Box to Final Rinse Probe)	167
14	J16	Control Board Jumper (Booster Input) (External Steam Booster)	n/a
15	J16	Cable - Thermister / Thermostat (Internal Electric Booster)	110
16	J21	Display Cable (Display to Control Board)	n/a
17	J22	Keypad Cable (Keypad to Control Board)	n/a
18	1MTR	Tank "1" Motor Cable	132
19	2MTR	Tank "2" Motor Cable	183
20	3MTR	Tank "3" Motor Cable	229
21	4MTR	Conveyor Motor Cable (Previous Construction)	194
22	4MTR	Conveyor Motor Cable (Current Construction)	194
23	6MTR	Blower Dryer Motor Cable	125
24	7MTR	Flush Pump Motor Cable	313
25	8MTR	Dual Rinse Motor Cable	112
26	1SOL	Tank "2" Fill Valve Cable (8TB to Valve)	169
27	2SOL	Tank "1 & 3" Fill Valve (8TB to Valve)	169
28	3SOL	Final Rinse Valve Cable (8TB to Valve)	169
29	4SOL	Dual Rinse Tank Heat Steam Valve	169
30	6SOL	Energy Recovery Cold Water Valve	169
31	7SOL	Energy Recovery Hot Water Valve	169
32	8SOL	Prewash Temperature Valve (8TB to Valve)	169
33	9SOL	Tank "2" Steam Valve Cable (11TB to Valve)	169
34	10SOL	Tank "1" Steam Valve Cable (11TB to Valve)	169
35	11SOL	Steam Booster Valve Cable (11TB to Valve)	169
36	12SOL	Blower Dryer Steam Valve Cable (11TB to Valve)	169
37	1LS,2LS,3LS 7LS,8LS,9LS	Door Interlock Switch (Switch to 7TB)	n/a
38	5LS	Jam Switch Cable (Jam Switch to Unload Start/Stop Switch Box)	n/a
39	6LS	Dish Limit Switch Cable (Switch to Unload Start/Stop Switch Box, 9TB)	n/a
40	3TAS/5TAS	High Limit Jumper Cable (Float Box to Heat Box, Dual Rinse Tank)	n/a
41	NA	Control Box Main Harness (Incls. J7)	n/a
42	NA	Steam Heat Control Box Harness	n/a
43	NA	Jumper Cable (Control Board to Relay Board)	n/a
44	NA	Cable, Frequency Drive Comm.	n/a
45	NA	Tank "2" Heater Harness, L - R (Control Box to Heater Box)	n/a
46	NA	Tank "2" Heater Harness, R - L (Control Box to Heater Box)	n/a
47	NA	Tank "1" Heater Harness, L - R (Control Box to Heater Box)	n/a
48	NA	Tank "1" Heater Harness, R - L (Control Box to Heater Box)	n/a
49	NA	Tank "1" Heater Harness, L - R (Control Box to Heater Box)	n/a
50	NA	Tank "1" Heater Harness, R - L (Control Box to Heater Box)	n/a

PL-60322

CONTROL BOX WIRE HARNESSSES

CONTROL BOX WIRE HARNESSSES

ILLUS. PL-60322	PART NO.	NAME OF PART	AMT.
*1	00-918568-00002	Cable Assy.....	AR
*2	00-918568-003-1	Cable Assy.....	AR
*3	00-918572-00002	Harness - Wire.....	AR
*4	00-918572-00005	Harness - Wire.....	AR
*5	00-918568-00001	Cable Assy.....	AR
*6	00-918568-004-2	Cable Assy.....	AR
*7	00-918568-005-2	Cable Assy.....	AR
*8	00-918568-006-1	Cable Assy.....	AR
*9	00-918568-007-2	Cable Assy.....	AR
*10	00-918568-008-2	Cable Assy.....	AR
*11	00-918568-009-1	Cable Assy.....	AR
*12	00-918572-00004	Harness - Frequency Drive.....	AR
*13	00-918568-00011	Cable Assy.....	AR
*14	00-918568-00012	Cable Assy.....	AR
*15	00-918568-00027	Cable Assy.....	AR
*16	00-918577	Cable - Ribbon.....	AR
*17	00-918576	Cable - Ribbon.....	AR
*18	00-918568-016-1	Cable Assy.....	AR
*19	00-918568-015-1	Cable Assy.....	AR
*20	00-918568-014-1	Cable Assy.....	AR
*21	00-918568-013-2	Cable Assy. (Previous Construction).....	AR
*22	00-918568-029-2	Cable Assy. (Current Construction).....	AR
*23	00-918568-00010	Cable Assy.....	AR
*24	00-918568-017-1	Cable Assy.....	AR
*25	00-918568-00019	Cable Assy.....	AR
*26	00-918568-021-5	Cable Assy.....	AR
*27	00-918568-021-5	Cable Assy.....	AR
*28	00-918568-021-5	Cable Assy.....	AR
*29	00-918568-021-5	Cable Assy.....	AR
*30	00-918568-021-5	Cable Assy.....	AR
*31	00-918568-021-5	Cable Assy.....	AR
*32	00-918568-021-5	Cable Assy.....	AR
*33	00-918568-021-5	Cable Assy.....	AR
*34	00-918568-021-5	Cable Assy.....	AR
*35	00-918568-021-5	Cable Assy.....	AR
*36	00-918568-021-5	Cable Assy.....	AR
*37	00-473109-005-4	Switch - Interlock (New Controls).....	AR
*38	00-918568-00020	Cable Assy.....	AR
*39	00-473109-005-4	Switch - Interlock (New Controls).....	AR
*40	00-918568-00018	Cable Assy.....	AR
*41	00-918572-00001	Harness - Main Control Box (Incls. J7).....	AR
*42	00-918572-00003	Harness - Wire.....	AR
*43	00-918579	Cable - Jumper.....	AR
*44	00-918580	Cable - Frequency Drive.....	AR
*45	00-919764-00001	Harness - Wire.....	AR
*46	00-919764-00002	Harness - Wire.....	AR
*47	00-919764-00003	Harness - Wire.....	AR
*48	00-919764-00004	Harness - Wire.....	AR
*49	00-919764-00005	Harness - Wire.....	AR
*50	00-919764-00006	Harness - Wire.....	AR

* (See Chart on Graphic for Usage.)

