



CATALOG OF REPLACEMENT PARTS



FT900 SERIES DISHWASHER UNLOAD SECTION

ML-110668

PRIOR MLS COVERED IN THIS MANUAL

ML-110680	ML-110815	ML-110837
ML-110681	ML-110816	ML-110838
ML-110682	ML-110817	ML-110839
ML-110683	ML-110818	ML-110840
ML-110684	ML-110819	ML-110841
ML-110685	ML-110820	ML-110842
ML-110686	ML-110821	ML-110843
ML-110687	ML-110822	ML-110844
ML-110688	ML-110823	ML-110845
ML-110689	ML-110824	ML-110846
ML-110690	ML-110825	ML-110847
ML-110691	ML-110826	ML-110848
ML-110805	ML-110827	ML-110849
ML-110806	ML-110828	ML-110850
ML-110807	ML-110829	ML-110851
ML-110808	ML-110830	ML-110852
ML-110809	ML-110831	ML-110853
ML-110810	ML-110832	ML-110854
ML-110811	ML-110833	ML-110855
ML-110812	ML-110834	ML-110856
ML-110813	ML-110835	
ML-110814	ML-110836	

SEE F43147 FOR FT900 SERIES DISHWASHER LOAD SECTION

SEE F43148 FOR FT900 SERIES DISHWASHER CENTER SECTION

Table of Contents

7 STEAM BOOSTER AND WATER PIPING (150 & 180 HEATER)

11 STEAM BOOSTER AND WATER PIPING (260, 320, & 380 HEATER)

13 STEAM INLET PIPING FOR STEAM COIL OR SINGLE INJECTOR

15 STEAM INLET PIPING FOR SINGLE-STEAM INJECTOR

17 STEAM INLET PIPING FOR DOUBLE-STEAM INJECTORS

19 STEAM INLET PIPING FOR DOUBLE-STEAM INJECTORS

21 ELECTRIC BOOSTER (R-L) (PREVIOUS CONSTRUCTION)

25 ELECTRIC BOOSTER (L-R) (PREVIOUS CONSTRUCTION)

29 ELECTRIC BOOSTER CIRCUIT BREAKER BOX (PREVIOUS CONSTRUCTION)

31 ELECTRIC BOOSTER (CURRENT CONSTRUCTION)

33 ELECTRIC BOOSTER PIPING (WITH ENERGY RECOVERY)

35 ELECTRICAL BOX (WITHOUT CIRCUIT BREAKER)

37 ELECTRICAL BOX (WITH CIRCUIT BREAKER)

39 DRAIN UNIT (CPVC) (UNLOAD - AS REQUIRED) (FT900 AND FT900S)

41 DRAIN UNIT (CPVC) (UNLOAD) (FT900D AND FT900SD)

43 DRAIN UNIT (SST) (UNLOAD - AS REQUIRED)

45 DRAIN WATER TEMPERING

47 CONVEYOR DRIVE UNIT

49 CONVEYOR (TYPE A) (COMPLETE ASSEMBLY)

51 CONVEYOR (TYPE A) (17 FLIGHT LINKS PER ROD)

53 CONVEYOR (TYPE AA) (COMPLETE ASSEMBLY) (PREVIOUS CONSTRUCTION)

55 CONVEYOR (TYPE AA) (17 FLIGHT LINKS PER ROD) (PREVIOUS CONSTRUCTION)

57 CONVEYOR (TYPE BB) (COMPLETE ASSEMBLY)

59 CONVEYOR (TYPE BB) (17 FLIGHT LINKS PER ROD)

61 CONVEYOR (OVAL TRAYS) (COMPLETE ASSEMBLY) (PREVIOUS CONSTRUCTION)

63 CONVEYOR (OVAL TRAYS) (17 FLIGHT LINKS PER ROD) (PREVIOUS CONSTRUCTION)

65 CONVEYOR (THERMAL TRAY - POS 1) (COMPLETE ASSEMBLY)

67 CONVEYOR (THERMAL TRAY - POS 1) (17 FLIGHT LINKS PER ROD)

69 CONVEYOR (THERMAL TRAY - POS 2) (COMPLETE ASSEMBLY)

71 CONVEYOR (THERMAL TRAY - POS 2) (17 FLIGHT LINKS PER ROD)

73 CONVEYOR (TIVOLI II & III) (COMPLETE ASSEMBLY)

75 CONVEYOR (TIVOLI II & III)

77 UNLOAD PLATFORM TRIP FINGERS

79 UNLOAD PLATFORM CONTROLS

81 DEFLECTOR, TRACKS, AND SLIDING DOORS (UNLOAD BLOWER DRYER)

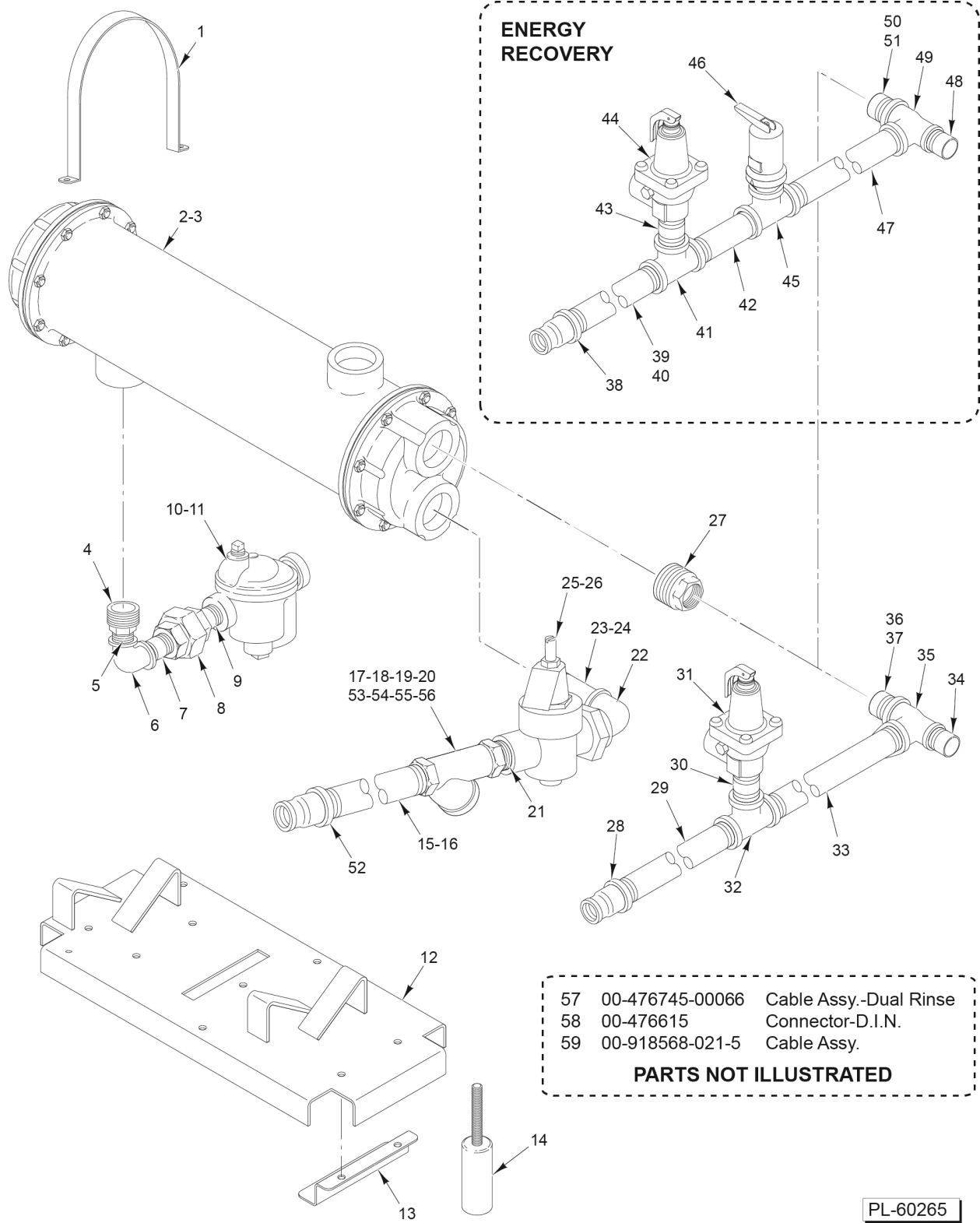
83 FULL DOOR LATCH

85 HINGED DOORS (BLOWER DRYER)

87 HINGED DOOR ATTACHMENT (BLOWER DRYER)

- 89 LOW PROFILE BLOWER DRYER (FT900 AND FT900S)
- 91 LOW PROFILE BLOWER DRYER (FT900D AND FT900SD)
- 93 BLOWER MOTOR (LOW PROFILE)
- 95 BLOWER DRYER UNIT (PREVIOUS CONSTRUCTION)
- 97 BLOWER DRYER MOTOR AND FILTER (PREVIOUS CONSTRUCTION)
- 99 HEATER (ELECTRIC DRYER) (PREVIOUS CONSTRUCTION)
- 101 HEATER (STEAM DRYER) (PREVIOUS CONSTRUCTION)
- 103 BLOWER DRYER COMPARTMENT (CURRENT CONSTRUCTION)
- 105 BLOWER DRYER COMPARTMENT PANELS (CURRENT CONSTRUCTION)
- 107 BLOWER DRYER MOTOR AND BAFFLES (CURRENT CONSTRUCTION)
- 109 HEATER (ELECTRIC DRYER) (CURRENT CONSTRUCTION)
- 111 HEATER (STEAM DRYER) (CURRENT CONSTRUCTION)
- 113 PANELS (DRYER)
- 115 COMMON PANELS (PREVIOUS CONSTRUCTION)
- 117 COMMON TRACKS (PREVIOUS CONSTRUCTION)
- 119 COMMON LOWER PANELS (CURRENT CONSTRUCTION)
- 121 COMMON PANELS (CURRENT CONSTRUCTION)
- 123 COMMON TRACKS (CURRENT CONSTRUCTION)
- 125 CONTROL BOX WIRE HARNESSSES

NOTES



**STEAM BOOSTER AND WATER PIPING
(150 & 180 HEATER)**

**STEAM BOOSTER AND WATER PIPING
(150 & 180 HEATER)**

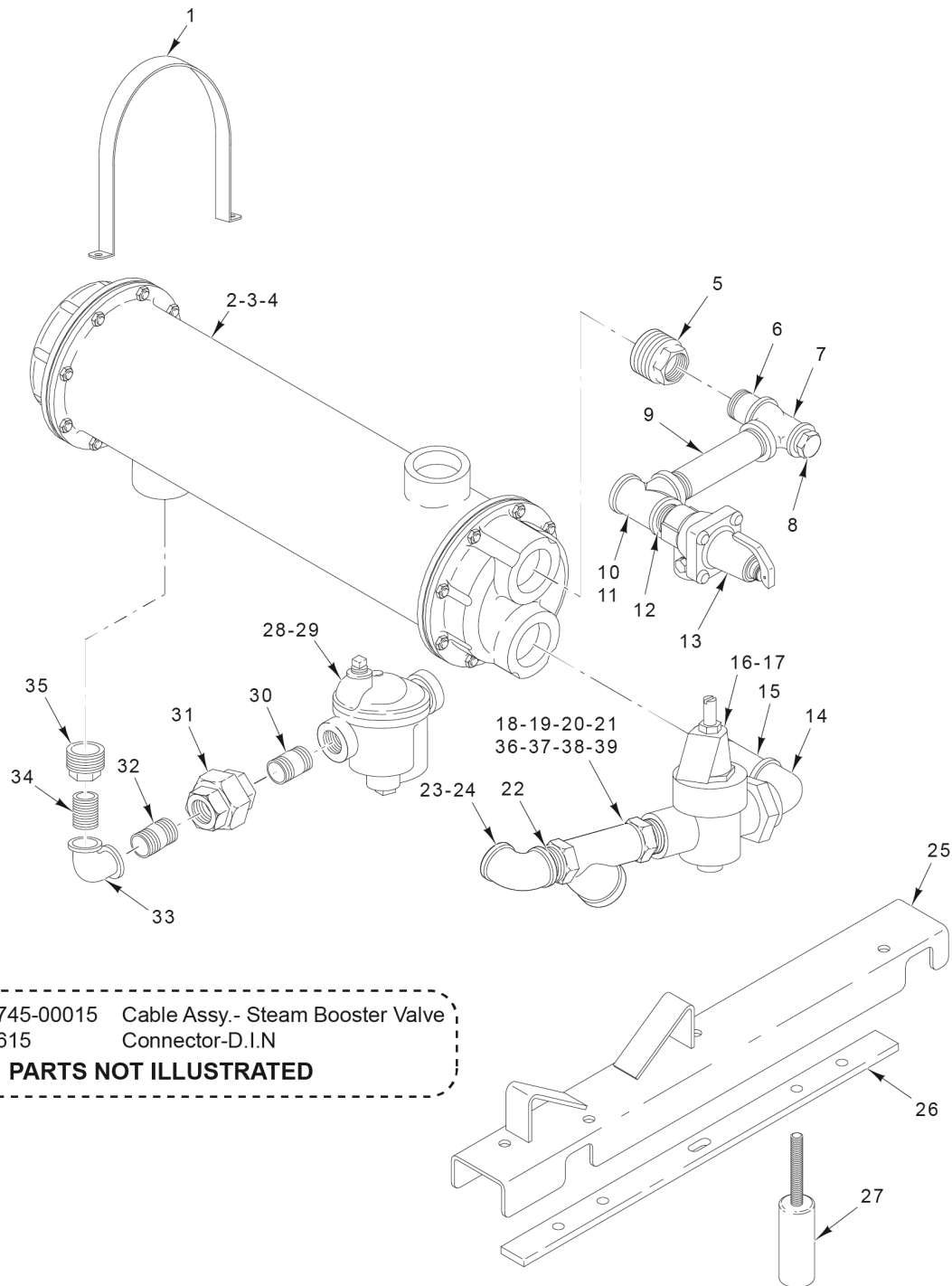
ILLUS.	PART NO.	NAME OF PART	AMT.
PL-60265			
1	00-749585-00003	Strap - Steam Booster (150/180).....	2
2	00-081987-00001	Heater - Thrush Water #150-1.....	1
3	00-081987-00002	Heater - Thrush Water #180-1.....	1
4	FP-026-34	Bushing 1-1/2 to 3/4 Inside Hex Reducing.....	1
5	FP-036-02	Pipe 3/4 x 2-1/2 TBE.....	1
6	FP-013-22	Elbow Pipe 3/4 x 90 Deg.....	1
7	FP-036-92	Pipe 3/4 x 1-3/8 TBE (Black).....	2
8	FP-022-17	Union 3/4 (Grd. Seat).....	1
9	FP-036-92	Pipe 3/4 x 1-3/8 TBE (Black).....	1
10	00-118316	Steam Trap (0-20 PSI).....	1
11	00-118317	Steam Trap (21-50 PSI).....	1
12	00-918435	Plate - Steam Booster Support.....	1
13	00-918352	Bracket - Pump Mounting Plate.....	1
14	00-475874	Foot.....	4
15	FP-089-08	Pipe 3/4 x 32 (With Double Steam Injector).....	1
16	FP-082-60	Pipe 3/4 x 21 TBE (Brass).....	AR
*17	00-186922	Strainer - Line (3/4 In.) (Brass) (Kitz) (Incls. Items 18, 19, & 20) (Alternate to Item 56)	1
18	00-186923	Plug - Branch.....	1
19	00-186924	Gasket - Branch Plug.....	1
20	00-186925	Screen - Line Strainer.....	1
21	FP-041-50	Pipe 3/4 x 1-3/8 TBE (Brass).....	1
22	FP-015-23	Elbow 3/4 x 90 Deg. (Brass).....	1
23	FP-041-82	Pipe 3/4 x 4-3/8 TBE (Brass) (180 Booster).....	1
24	FP-042-06	Pipe 3/4 x 7-1/2 (Brass) (150 Booster).....	1
25	00-893294-00003	Valve - Pressure Reducing (3/4 In. With Strainer).....	1
26	FP-041-50	Pipe 3/4 x 1-3/8 TBE (Brass).....	2
27	FP-027-41	Bushing 1-1/4 to 3/4 Outside Hex Reducing.....	2
28	FP-077-63	Coupling - Reducing 3/4 x 1/2 (Brass).....	1
29	FP-042-31	Pipe 3/4 x 12-1/4 TBE (Brass).....	1
30	FP-041-50	Pipe 3/4 x 1-3/8 TBE (Brass).....	1
31	00-082010	Valve - Safety Relief (3/4 In.).....	1
32	FP-019-28	Tee - Pipe 3/4 x 3/4 x 3/4 (Brass).....	1
33	FP-042-31	Pipe 3/4 x 12-1/4 TBE (Brass).....	1
34	FP-027-13	Bushing - Pipe 1/2 to 3/8 (Brass).....	1
35	FP-019-35	Tee - Pipe 3/4 x 1/2 x 3/4.....	1
36	FP-041-50	Pipe 3/4 x 1-3/8 TBE (Brass) (180 Booster).....	1
37	FP-041-82	Pipe 3/4 x 4-3/8 TBE (Brass) (150 Booster).....	1
38	FP-077-63	Coupling - Reducing 3/4 x 1/2 (Brass).....	1
39	FP-042-31	Pipe 3/4 x 12-1/4 TBE (Brass).....	1
40	FP-082-60	Pipe 3/4 x 21 TBE (Brass) (With Double Steam Injector).....	1
41	FP-019-28	Tee - Pipe 3/4 x 3/4 x 3/4 (Brass).....	1
42	FP-041-66	Pipe 3/4 x 3 TBE (Brass).....	1
43	FP-041-50	Pipe 3/4 x 1-3/8 TBE (Brass).....	1
44	00-082010	Valve - Safety Relief (3/4 In.).....	1
45	FP-019-32	Tee 3/4 x 3/4 x 1/2 Reducing.....	1
46	00-941401	Valve - Pressure Relief (1/2).....	1
47	FP-042-06	Pipe 3/4 x 7-1/2 (Brass).....	1
48	FP-027-13	Bushing - Pipe 1/2 to 3/8 (Brass).....	1
49	FP-019-35	Tee - Pipe 3/4 x 1/2 x 3/4.....	1
50	FP-041-50	Pipe 3/4 x 1-3/8 TBE (Brass) (180 Booster).....	1
51	FP-041-82	Pipe 3/4 x 4-3/8 TBE (Brass) (150 Booster).....	1
52	FP-077-63	Coupling - Reducing 3/4 x 1/2 (Brass).....	1
*53	00-186922	Strainer - Line (3/4 In.) (Brass) (Apollo / Conbraco) (Incls. Items 54, 55, & 56) (Alternate to Item 16).....	1
54	00-749802-00001	Cap.....	1
55	00-749802-00002	Gasket.....	1

**STEAM BOOSTER AND WATER PIPING
(150 & 180 HEATER)**

ILLUS.	PART NO.	NAME OF PART	AMT.
PL-60265			
56	00-749802-00003	Screen (80 Mesh).....	1
57	00-476745-00066	Cable Assy. - Dual Rinse (Old Controls).....	1
58	00-476615	Connector - Din (End Of Harness) (Old Controls).....	1
59	00-918568-021-5	Cable Assy. (New Controls).....	1

* Kitz line strainer is approx. 1/4" shorter than Apollo / Conbraco.

NOTES



40 00-476745-00015 Cable Assy.- Steam Booster Valve
 41 00-476615 Connector-D.I.N
PARTS NOT ILLUSTRATED

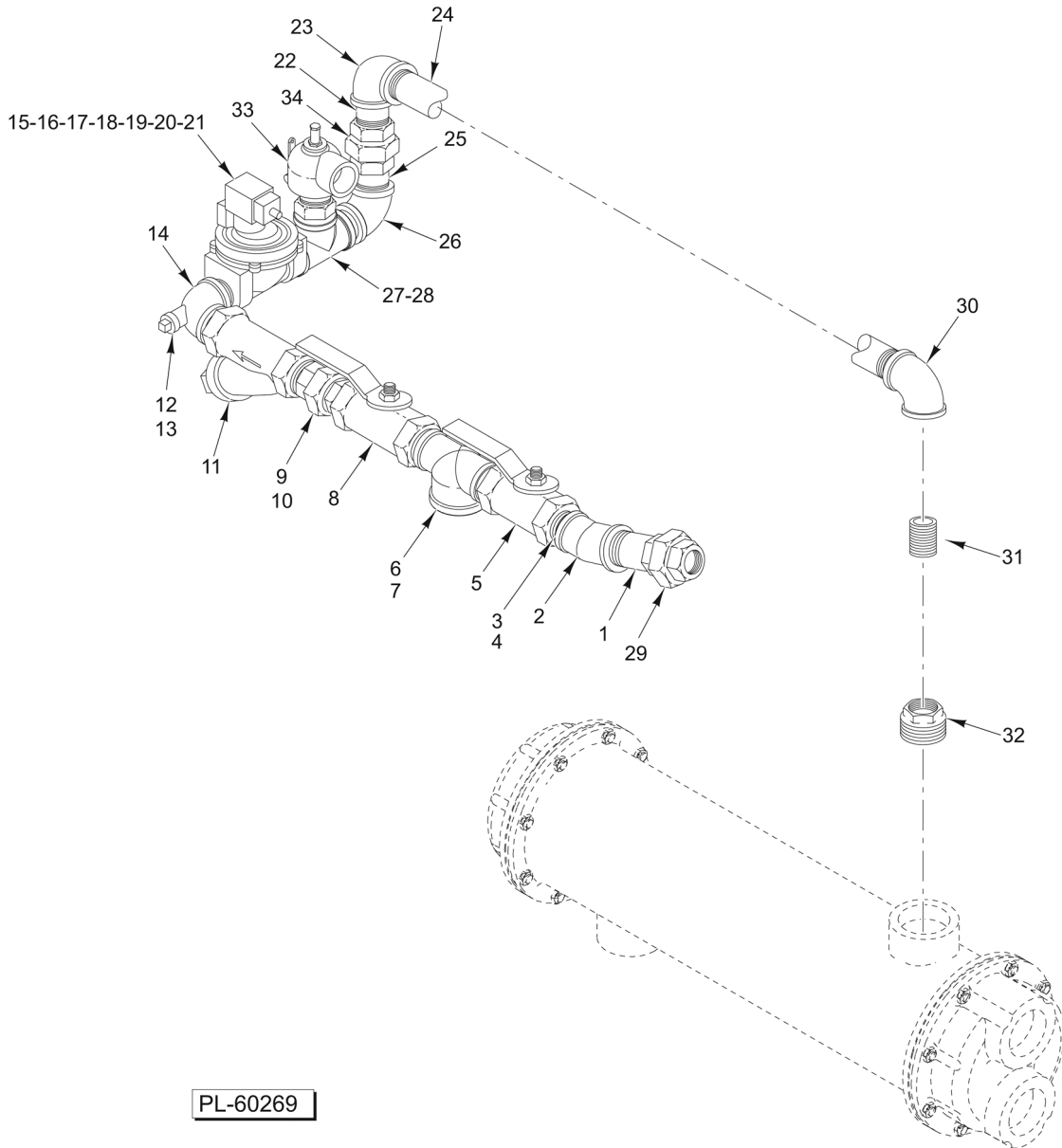
PL-60266

**STEAM BOOSTER AND WATER PIPING
 (260, 320, & 380 HEATER)**

**STEAM BOOSTER AND WATER PIPING
(260, 320, & 380 HEATER)**

ILLUS.	PART NO.	NAME OF PART	AMT.
PL-60266			
1	00-749585-00001	Strap - Steam Booster (260/320/380).....	2
2	00-081986-00001	Heater - Thrush Water #260.....	1
3	00-081986-00002	Heater - Thrush Water #320.....	1
4	00-081986-00003	Heater - Thrush Water #380.....	1
5	FP-027-32	Bushing - Pipe 2 In. to 3/4 In. (Brass).....	2
6	FP-041-50	Pipe 3/4 x 1-3/8 TBE (Brass).....	1
7	FP-019-35	Tee - Pipe 3/4 x 1/2 x 3/4.....	1
8	FP-027-13	Bushing - Pipe 1/2 to 3/8 (Brass).....	1
9	FP-041-89	Pipe 3/4 x 5-1/8 TBE.....	1
10	FP-019-28	Tee - Pipe 3/4 x 3/4 x 3/4 (Brass).....	1
11	FP-027-22	Bushing - Pipe 3/4 to 1/2 (Brass).....	1
12	FP-041-50	Pipe 3/4 x 1-3/8 TBE (Brass).....	1
13	00-082010	Valve - Safety Relief (3/4 In.).....	1
14	FP-015-23	Elbow 3/4 x 90 Deg. (Brass).....	1
15	FP-041-82	Pipe 3/4 x 4-3/8 TBE (Brass).....	1
16	00-893294-00003	Valve - Pressure Reducing (3/4 In. With Strainer).....	1
17	FP-041-50	Pipe 3/4 x 1-3/8 TBE (Brass).....	2
*18	00-186922	Strainer - Line (3/4 In.) (Brass) (Kitz) (Incls. Items 19, 20, & 21) (Alternate to Item 36)	1
19	00-186923	Plug - Branch.....	1
20	00-186924	Gasket - Branch Plug.....	1
21	00-186925	Screen - Line Strainer.....	1
22	FP-041-50	Pipe 3/4 x 1-3/8 TBE (Brass).....	2
23	FP-015-23	Elbow 3/4 x 90 Deg. (Brass).....	1
24	FP-027-22	Bushing - Pipe 3/4 to 1/2 (Brass).....	1
25	00-749588	Support - Steam Booster.....	2
26	00-476390	Bar - Booster Support.....	2
27	00-475874	Foot.....	4
28	00-118316	Steam Trap (0-20 PSI).....	1
29	00-118317	Steam Trap (21-50 PSI).....	1
30	FP-036-92	Pipe 3/4 x 1-3/8 TBE (Black).....	1
31	FP-022-17	Union 3/4 (Grd. Seat).....	1
32	FP-036-92	Pipe 3/4 x 1-3/8 TBE (Black).....	1
33	FP-013-22	Elbow Pipe 3/4 x 90 Deg.....	1
34	FP-036-92	Pipe 3/4 x 1-3/8 TBE (Black).....	1
35	FP-026-64	Bushing - Pipe 2 to 3/4.....	1
*36	00-186922	Strainer - Line (3/4 In.) (Brass) (Apollo / Conbraco) (Incls. Items 30, 31, & 32) (Alternate to Item 18).....	1
37	00-749802-00001	Cap.....	1
38	00-749802-00002	Gasket.....	1
39	00-749802-00003	Screen (80 Mesh).....	1
40	00-476745-00015	Cable Assy. - Steam Booster Valve (Old Controls).....	1
41	00-476615	Connector - Din (End Of Harness) (Old Controls).....	1

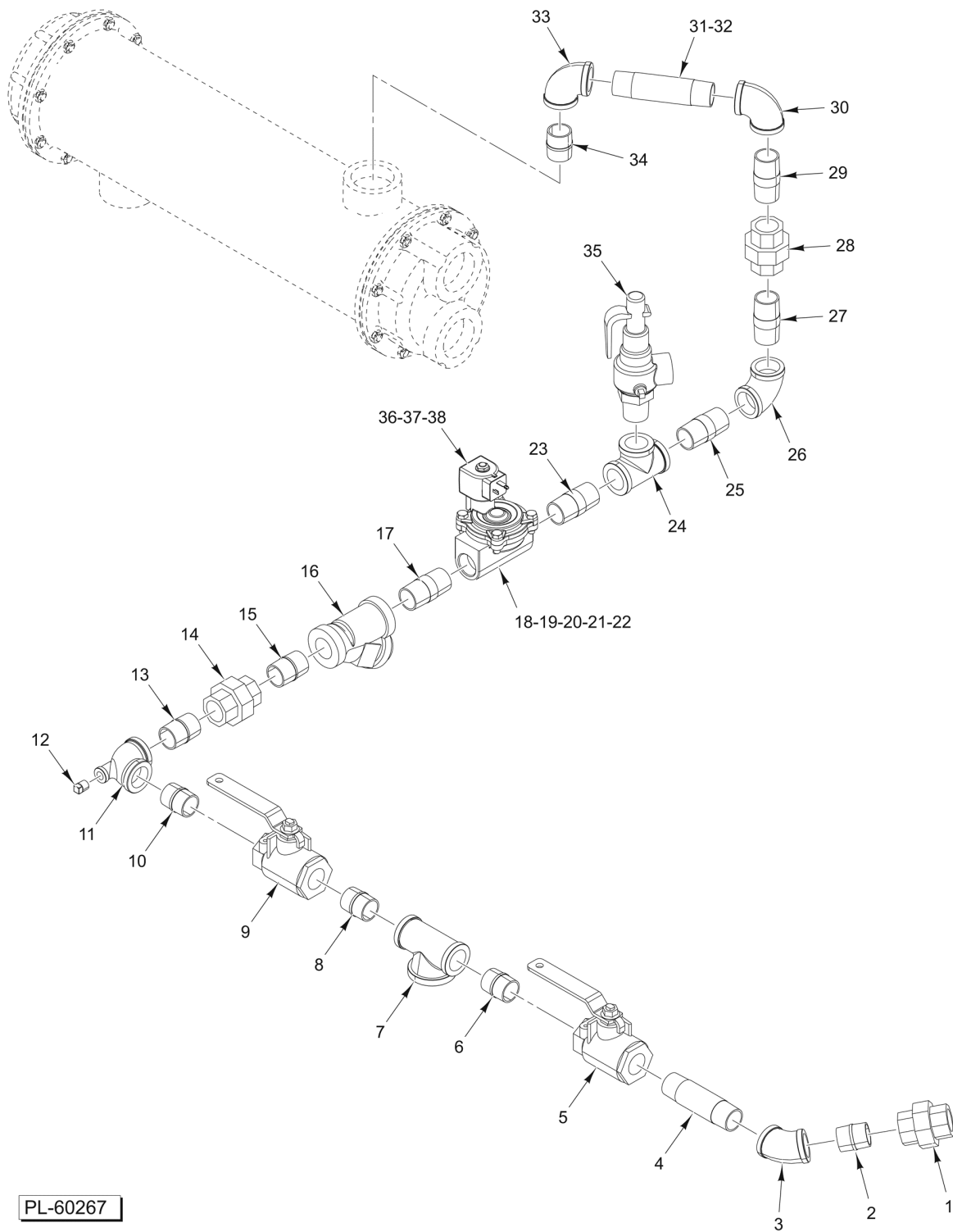
* Kitz line strainer is approx. 1/4" shorter than Apollo / Conbraco.



STEAM INLET PIPING FOR STEAM COIL OR SINGLE INJECTOR

STEAM INLET PIPING FOR STEAM COIL OR SINGLE INJECTOR

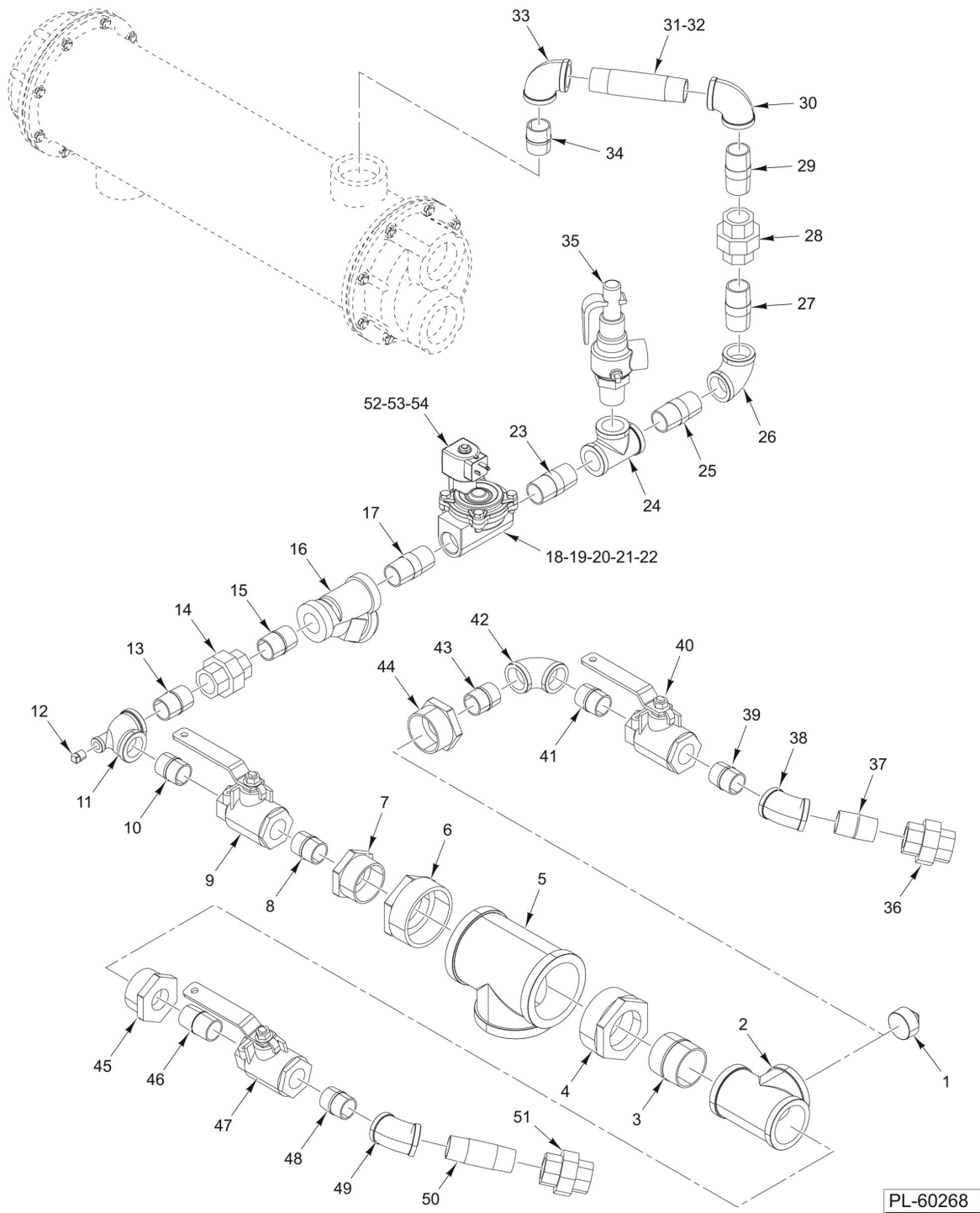
ILLUS. PL-60269	PART NO.	NAME OF PART	AMT.
1	FP-059-32	Pipe 1 x 2-1/2 TBE (R-L).....	1
2	FP-013-25	Elbow 1 x 45 Deg.....	1
3	FP-059-41	Pipe 1 x 1-3/4 TBE.....	1
4	FP-059-72	Pipe 1 x 8-1/2 TBE.....	1
5	00-892149	Valve 1 In. Ball.....	1
6	FP-019-43	Tee - Pipe 1 x 1 x 1-1/2.....	1
7	FP-036-17	Pipe 1 x 1-1/2 TBE.....	2
8	00-892149	Valve 1 In. Ball.....	1
9	FP-022-23	Union - Pipe (1 In.).....	1
10	FP-036-17	Pipe 1 x 1-1/2 TBE.....	2
11	00-748967	Stainer - Line (1 In.).....	1
12	FP-028-06	Pipe Plug 1/4 Sq. Hd.....	1
13	FP-019-81	Tee - Pipe 1 x 1/4 x 1.....	1
14	FP-036-17	Pipe 1 x 1-1/2 TBE.....	2
15	00-892071	Repair Kit - Solenoid Valve (Previous Construction).....	1
16	00-892038	Coil - Solenoid Valve (110-120 V.) (Previous Construction).....	1
17	00-919172	Valve - Steam (1 In.).....	1
18	00-919174	Coil - Solenoid (1 In.).....	1
19	00-919176	Kit - Service Valve (1 In.).....	1
20	00-476745-00015	Cable Assy. - Steam Booster Valve (Old Controls).....	1
21	00-476615	Connector - Din (End Of Harness) (Old Controls).....	1
22	FP-059-50	Pipe 1 x 2 TBE.....	1
23	FP-013-27	Elbow - Pipe 1 x 90 Deg.....	1
24	FP-036-25	Pipe 1 x 24 TBE.....	1
25	FP-059-50	Pipe 1 x 2 TBE.....	1
26	FP-013-27	Elbow - Pipe 1 x 90 Deg.....	1
27	FP-019-38	Tee - Pipe 1 x 1 x 1.....	1
28	FP-036-17	Pipe 1 x 1-1/2 TBE.....	2
29	FP-022-23	Union - Pipe (1 In.).....	1
30	FP-013-27	Elbow - Pipe 1 x 90 Deg.....	1
31	FP-036-17	Pipe 1 x 1-1/2 TBE.....	1
32	FP-026-45	Bushing - Pipe 2 In. to 1 In.....	1
33	00-064880	Valve - 1 In. Safety.....	1
34	FP-022-23	Union - Pipe (1 In.).....	1



STEAM INLET PIPING FOR SINGLE-STEAM INJECTOR

STEAM INLET PIPING FOR SINGLE-STEAM INJECTOR

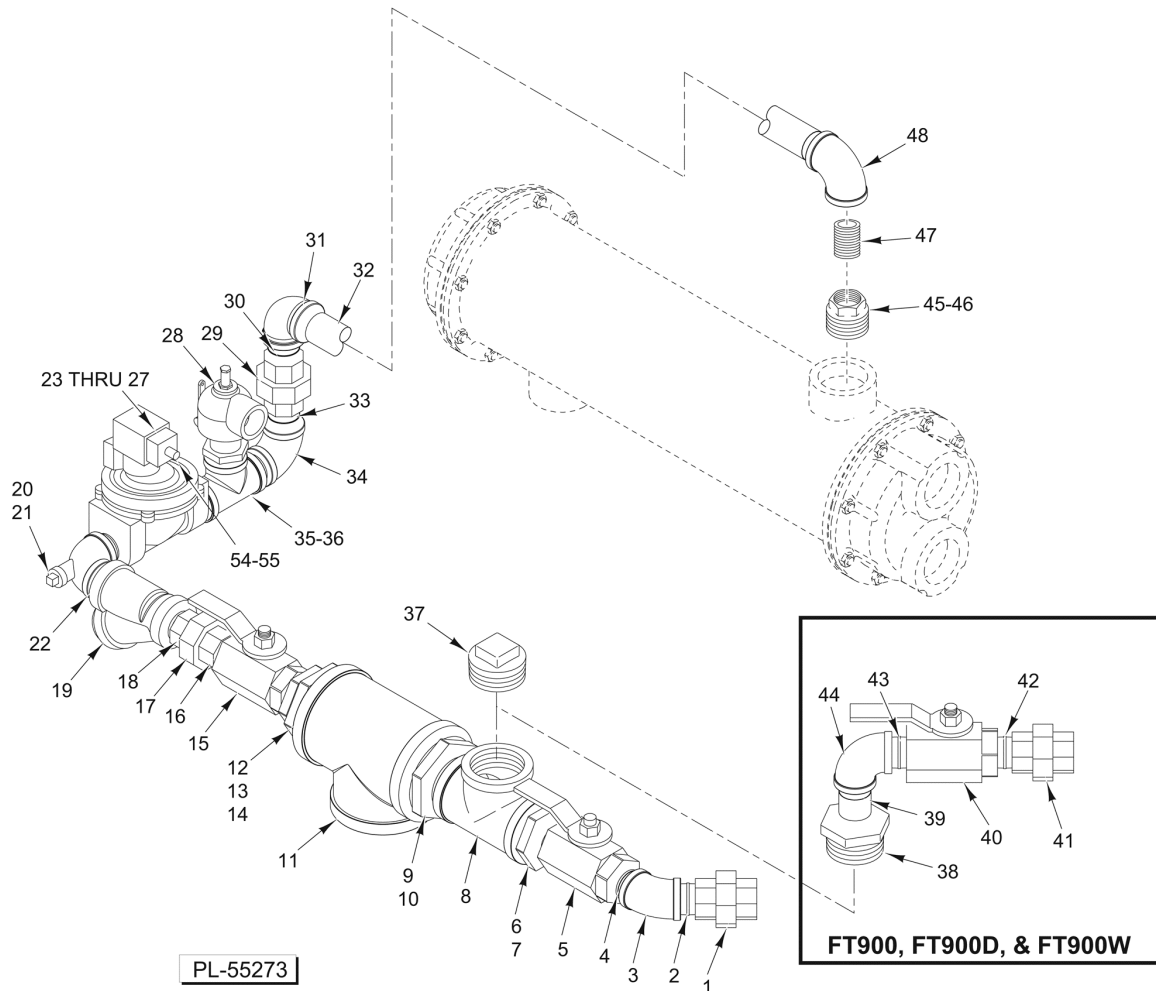
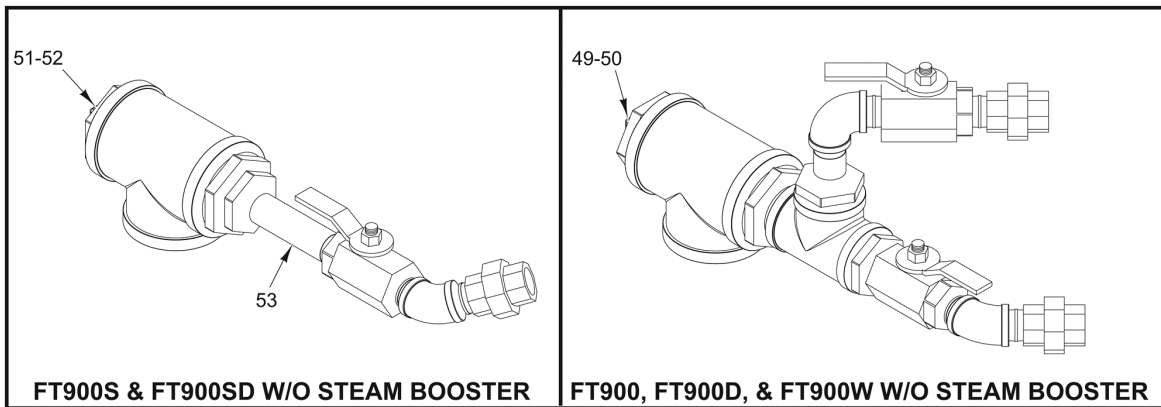
ILLUS. PL-60267	PART NO.	NAME OF PART	AMT.
1	FP-022-23	Union - Pipe (1 In.).....	1
2	FP-036-17	Pipe 1 x 1-1/2 TBE.....	1
3	FP-013-25	Elbow 1 x 45 Deg.....	1
4	FP-059-51	Pipe 1 x 4-1/2 TBE.....	1
5	00-892149	Valve 1 In. Ball.....	1
6	FP-036-17	Pipe 1 x 1-1/2 TBE.....	1
7	FP-019-43	Tee - Pipe 1 x 1 x 1-1/2.....	1
8	FP-036-17	Pipe 1 x 1-1/2 TBE.....	1
9	00-892149	Valve 1 In. Ball.....	1
10	FP-036-17	Pipe 1 x 1-1/2 TBE.....	1
11	FP-019-81	Tee - Pipe 1 x 1/4 x 1.....	1
12	FP-028-06	Pipe Plug 1/4 Sq. Hd.....	1
13	FP-059-41	Pipe 1 x 1-3/4 TBE.....	1
14	FP-022-23	Union - Pipe (1 In.).....	1
15	FP-059-41	Pipe 1 x 1-3/4 TBE.....	1
16	00-748967	Stainer - Line (1 In.).....	1
17	FP-059-32	Pipe 1 x 2-1/2 TBE.....	1
18	00-892038	Coil - Solenoid Valve (110-120 V.) (Previous Construction).....	1
19	00-892071	Repair Kit - Solenoid Valve (Previous Construction).....	1
20	00-919172	Valve - Steam (1 In.).....	1
21	00-919174	Coil - Solenoid (1 In.).....	1
22	00-919176	Kit - Service Valve (1 In.).....	1
23	FP-059-32	Pipe 1 x 2-1/2 TBE.....	1
24	FP-019-38	Tee - Pipe 1 x 1 x 1.....	1
25	FP-059-32	Pipe 1 x 2-1/2 TBE.....	1
26	FP-013-27	Elbow - Pipe 1 x 90 Deg.....	1
27	FP-059-32	Pipe 1 x 2-1/2 TBE.....	1
28	FP-022-23	Union - Pipe (1 In.).....	1
29	FP-059-32	Pipe 1 x 2-1/2 TBE.....	1
30	FP-013-27	Elbow - Pipe 1 x 90 Deg.....	1
31	FP-059-38	Pipe 1 x 5 TBE (180 Booster).....	1
32	FP-036-86	Pipe 1 x 7 TBE (150 Booster).....	1
33	FP-013-27	Elbow - Pipe 1 x 90 Deg.....	1
34	FP-036-17	Pipe 1 x 1-1/2 TBE.....	1
35	00-064880	Valve - 1 In. Safety.....	1
36	00-476745-00066	Cable Assy. - Dual Rinse (Old Controls).....	1
37	00-476615	Connector - D.I.N. (End Of Harness) (Old Controls).....	1
38	00-918568-021-5	Cable Assy. -Steam Booster Valve (New Controls).....	1



STEAM INLET PIPING FOR DOUBLE-STEAM INJECTORS

STEAM INLET PIPING FOR DOUBLE-STEAM INJECTORS

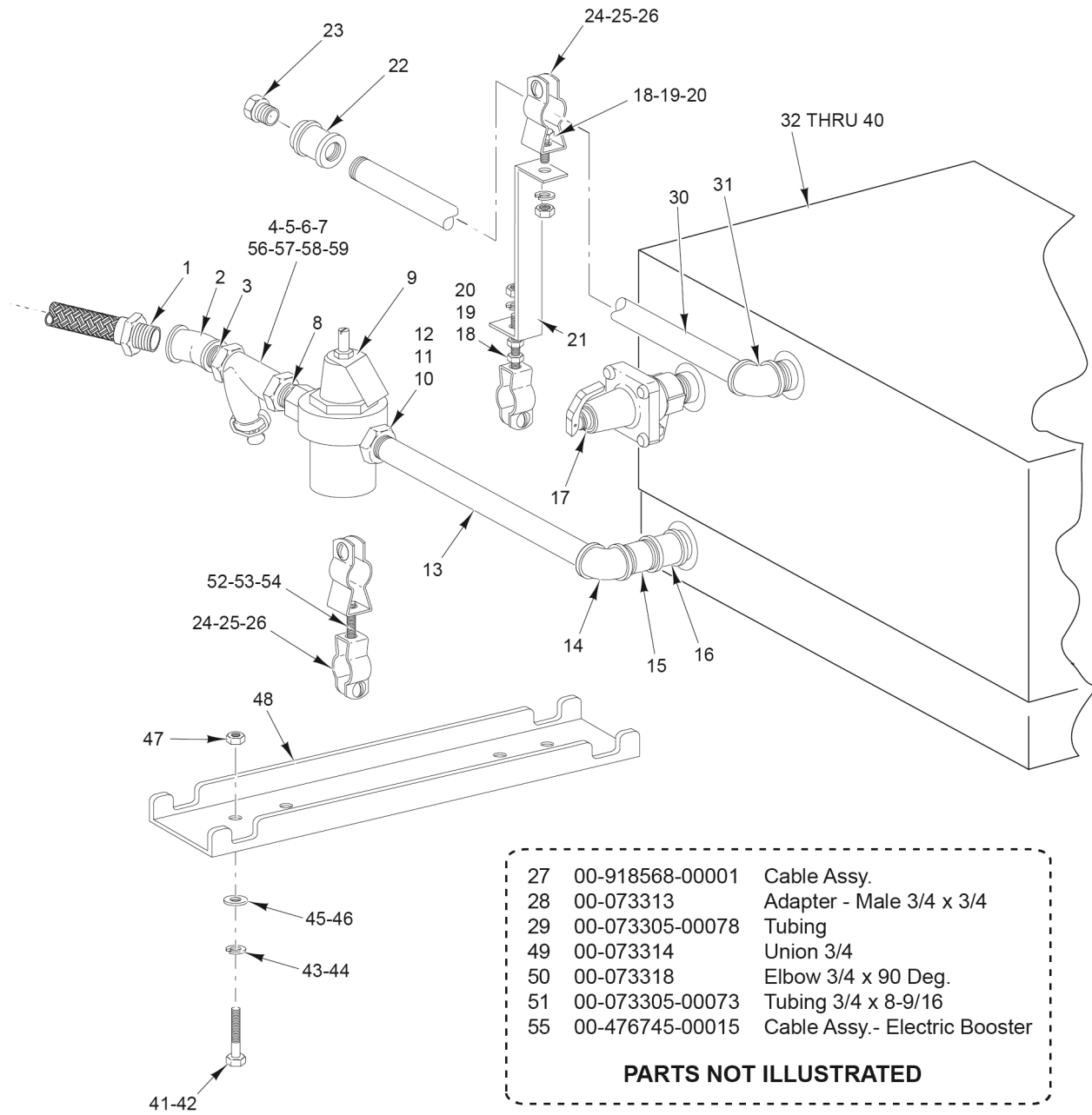
ILLUS. PL-60268	PART NO.	NAME OF PART	AMT.
1	FP-028-34	Pipe Plug (2 In.) Sq. Hd.....	1
2	FP-019-62	Tee - Pipe 2 x 2 x 2.....	1
3	FP-036-56	Pipe 2 In. x 2 In. TBE.....	1
4	FP-026-59	Bushing - Pipe 3 to 2.....	1
5	FP-089-38	Tee - Pipe 3 x 3 x 3.....	1
6	FP-026-59	Bushing - Pipe 3 to 2.....	1
7	FP-026-45	Bushing - Pipe 2 In. to 1 In.....	1
8	FP-036-17	Pipe 1 x 1-1/2 TBE.....	2
9	00-892149	Valve 1 In. Ball.....	1
10	FP-036-17	Pipe 1 x 1-1/2 TBE.....	1
11	FP-019-81	Tee - Pipe 1 x 1/4 x 1.....	1
12	FP-028-06	Pipe Plug 1/4 Sq. Hd.....	1
13	FP-059-41	Pipe 1 x 1-3/4 TBE.....	2
14	FP-022-23	Union - Pipe (1 In.).....	1
15	FP-059-41	Pipe 1 x 1-3/4 TBE.....	1
16	00-748967	Stainer - Line (1 In.).....	1
17	FP-059-32	Pipe 1 x 2-1/2 TBE.....	1
18	00-892038	Coil - Solenoid Valve (110-120 V.) (Previous Construction).....	1
19	00-892071	Repair Kit - Solenoid Valve (Previous Construction).....	1
20	00-919172	Valve - Steam (1 In.).....	1
21	00-919174	Coil - Solenoid (1 In.).....	1
22	00-919176	Kit - Service Valve (1 In.).....	1
23	FP-059-32	Pipe 1 x 2-1/2 TBE.....	1
24	FP-019-38	Tee - Pipe 1 x 1 x 1.....	1
25	FP-059-32	Pipe 1 x 2-1/2 TBE.....	1
26	FP-013-27	Elbow - Pipe 1 x 90 Deg.....	1
27	FP-059-32	Pipe 1 x 2-1/2 TBE.....	1
28	FP-022-23	Union - Pipe (1 In.).....	1
29	FP-059-32	Pipe 1 x 2-1/2 TBE.....	1
30	FP-013-27	Elbow - Pipe 1 x 90 Deg.....	1
31	FP-059-38	Pipe 1 x 5 TBE (180 Booster).....	1
32	FP-036-86	Pipe 1 x 7 TBE (150 Booster).....	1
33	FP-013-27	Elbow - Pipe 1 x 90 Deg.....	1
34	FP-036-17	Pipe 1 x 1-1/2 TBE.....	1
35	00-064880	Valve - 1 In. Safety.....	1
36	FP-022-23	Union - Pipe (1 In.).....	1
37	FP-036-17	Pipe 1 x 1-1/2 TBE.....	1
38	FP-013-25	Elbow 1 x 45 Deg.....	1
39	FP-036-17	Pipe 1 x 1-1/2 TBE.....	1
40	00-892149	Valve 1 In. Ball.....	1
41	FP-036-17	Pipe 1 x 1-1/2 TBE.....	1
42	FP-013-27	Elbow - Pipe 1 x 90 Deg.....	1
43	FP-036-17	Pipe 1 x 1-1/2 TBE.....	1
44	FP-026-45	Bushing - Pipe 2 In. to 1 In.....	1
45	FP-026-45	Bushing - Pipe 2 In. to 1 In.....	1
46	FP-059-50	Pipe 1 x 2 TBE.....	1
47	00-892149	Valve 1 In. Ball.....	1
48	FP-036-17	Pipe 1 x 1-1/2 TBE.....	1
49	FP-013-25	Elbow 1 x 45 Deg.....	1
50	FP-036-21	Pipe 1 x 3-1/2 TBE.....	1
51	FP-022-23	Union - Pipe (1 In.).....	1
52	00-476745-00066	Cable Assy. - Dual Rinse (Old Controls).....	1
53	00-476615	Connector - D.I.N. (End Of Harness) (Old Controls).....	1
54	00-918568-021-5	Cable Assy. -Steam Booster Valve (New Controls).....	1



STEAM INLET PIPING FOR DOUBLE-STEAM INJECTORS

STEAM INLET PIPING FOR DOUBLE-STEAM INJECTORS

ILLUS. PL-55273	PART NO.	NAME OF PART	AMT.
1	FP-022-23	Union - Pipe (1 In.).....	1
2	FP-059-41	Pipe 1 x 1-3/4 TBE.....	1
3	FP-013-25	Elbow 1 x 45 Deg.....	1
4	FP-059-41	Pipe 1 x 1-3/4 TBE.....	1
5	00-892149	Valve 1 In. Ball.....	1
6	FP-059-41	Pipe 1 x 1-3/4 TBE.....	1
7	FP-026-45	Bushing - Pipe 2 In. to 1 In.....	1
8	FP-019-62	Tee - Pipe 2 x 2 x 2.....	1
9	FP-036-56	Pipe 2 In. x 2 In. TBE.....	1
10	FP-026-59	Bushing - Pipe 3 to 2.....	1
11	FP-089-38	Tee - Pipe 3 x 3 x 3.....	1
12	FP-026-59	Bushing - Pipe 3 to 2.....	1
13	FP-026-45	Bushing - Pipe 2 In. to 1 In.....	1
14	FP-036-17	Pipe 1 x 1-1/2 TBE.....	1
15	00-892149	Valve 1 In. Ball.....	1
16	FP-036-17	Pipe 1 x 1-1/2 TBE.....	1
17	FP-022-23	Union - Pipe (1 In.).....	1
18	FP-036-17	Pipe 1 x 1-1/2 TBE.....	1
19	00-748967	Stainer - Line (1 In.).....	1
20	FP-028-06	Pipe Plug 1/4 Sq. Hd.....	1
21	FP-019-81	Tee - Pipe 1 x 1/4 x 1.....	1
22	FP-036-17	Pipe 1 x 1-1/2 TBE.....	1
23	00-892071	Repair Kit - Solenoid Valve (Previous Construction).....	1
24	00-892038	Coil - Solenoid Valve (110-120 V.) (Previous Construction).....	1
25	00-919172	Valve - Steam (1 In.).....	1
26	00-919174	Coil - Solenoid (1 In.).....	1
27	00-919176	Kit - Service Valve (1 In.).....	1
28	00-064880	Valve - 1 In. Safety.....	1
29	FP-022-23	Union - Pipe (1 In.).....	1
30	FP-059-50	Pipe 1 x 2 TBE.....	1
31	FP-013-27	Elbow - Pipe 1 x 90 Deg.....	1
32	FP-036-25	Pipe 1 x 24 TBE.....	1
33	FP-059-50	Pipe 1 x 2 TBE.....	1
34	FP-013-27	Elbow - Pipe 1 x 90 Deg.....	1
35	FP-019-38	Tee - Pipe 1 x 1 x 1.....	1
36	FP-059-41	Pipe 1 x 1-3/4 TBE.....	AR
37	FP-028-34	Pipe Plug (2 In.) Sq. Hd.....	AR
38	FP-026-45	Bushing - Pipe 2 In. to 1 In.....	1
39	FP-059-50	Pipe 1 x 2 TBE.....	1
40	00-892149	Valve 1 In. Ball.....	1
41	FP-022-23	Union - Pipe (1 In.).....	1
42	FP-059-41	Pipe 1 x 1-3/4 TBE.....	1
43	FP-059-41	Pipe 1 x 1-3/4 TBE.....	1
44	FP-013-27	Elbow - Pipe 1 x 90 Deg.....	1
45	FP-026-45	Bushing - Pipe 2 In. to 1 In. (260, 320, & 380 Boosters).....	1
46	FP-026-06	Bushing - Pipe 1-1/2 In. to 1 In. (150 & 180 Boosters).....	1
47	FP-036-17	Pipe 1 x 1-1/2 TBE.....	1
48	FP-013-27	Elbow - Pipe 1 x 90 Deg.....	1
49	FP-028-34	Pipe Plug (2 In.) Sq. Hd.....	AR
50	FP-026-59	Bushing - Pipe 3 to 2.....	AR
51	FP-028-34	Pipe Plug (2 In.) Sq. Hd.....	AR
52	FP-026-59	Bushing - Pipe 3 to 2.....	AR
53	FP-059-42	Pipe 1 x 6 TBE.....	1
54	00-476615	Connector - Din (For End Of Harness) (Old Controls).....	1
55	00-918568-021-5	Cable Assy. (New Controls).....	1



PL-58057

**ELECTRIC BOOSTER
 (R-L)
 (PREVIOUS CONSTRUCTION)**

**ELECTRIC BOOSTER
(R-L)
(PREVIOUS CONSTRUCTION)**

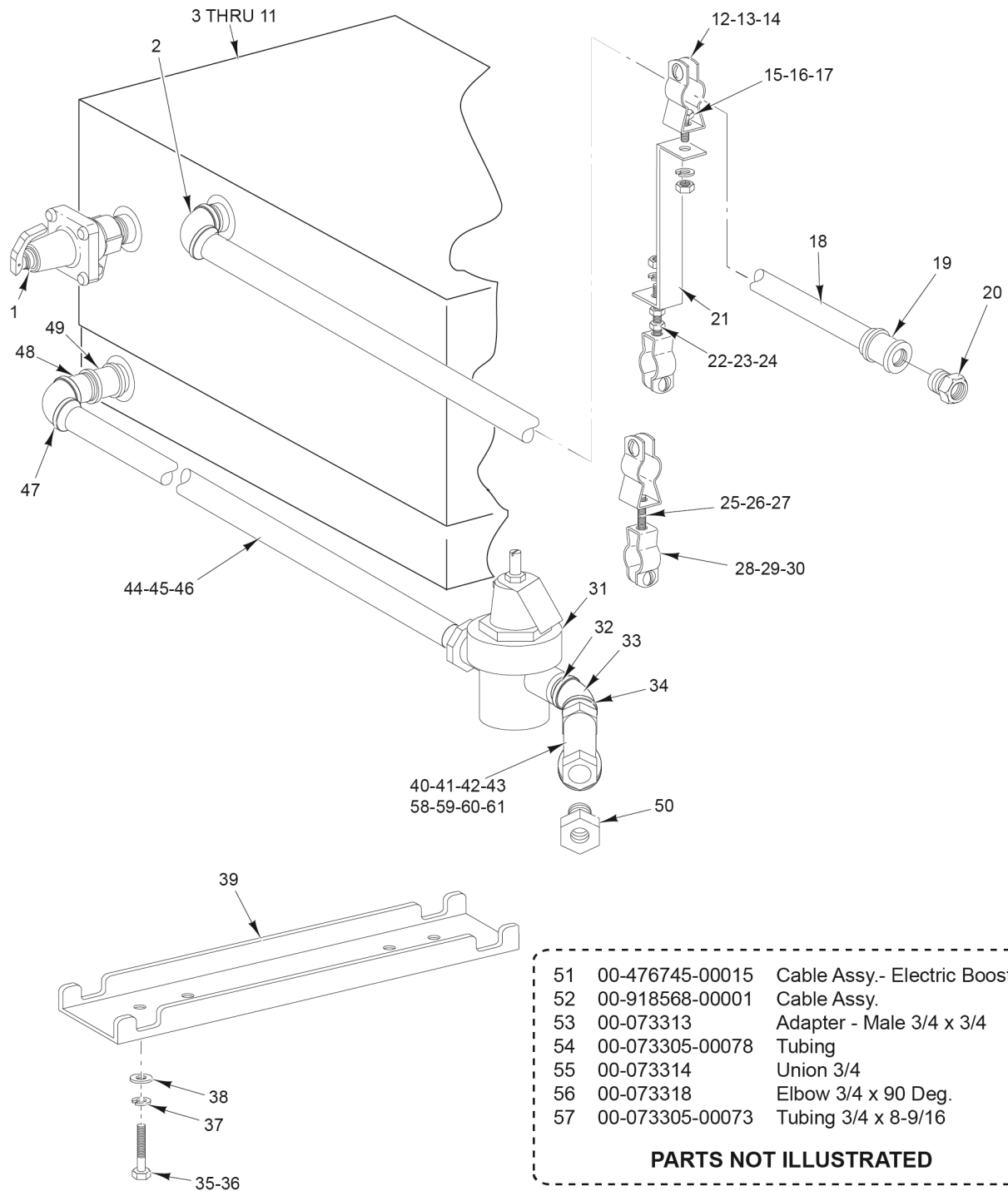
ILLUS.	PART NO.	NAME OF PART	AMT.
PL-58057			
1	FP-027-22	Bushing - Pipe 3/4 to 1/2 (Brass) (With 1/2 In. Hose).....	1
2	FP-015-22	Elbow Pipe 3/4 x 45 Deg. (Brass).....	1
3	FP-041-50	Pipe 3/4 x 1-3/8 TBE (Brass).....	2
*4	00-186922	Strainer - Line (3/4 In.) (Brass) (Kitz) (Incls. Items 5, 6, & 7) (Alternate to Item 56)	1
5	00-186923	Plug - Branch.....	1
6	00-186924	Gasket - Branch Plug.....	1
7	00-186925	Screen - Line Strainer.....	1
8	FP-041-50	Pipe 3/4 x 1-3/8 TBE (Brass).....	1
9	00-893294	Valve - Pressure Regulating (3/4 In.).....	1
10	FP-041-98	Pipe 3/4 x 6-1/2 TBE (Brass) (Previous Construction).....	2
11	FP-022-18	Union - Pipe 3/4 Straight Female (Brass) (Previous Construction).....	1
12	FP-041-90	Pipe 3/4 x 5-3/8 TBE (Brass) (Previous Construction).....	1
13	FP-046-76	Pipe 3/4 x 12-3/4 TBE (Brass) (Current Construction).....	1
14	FP-015-23	Elbow 3/4 x 90 Deg. (Brass).....	1
15	FP-041-53	Pipe 3/4 x 1-3/4 TBE (Brass).....	1
16	FP-023-25	Coupling - Pipe 3/4 x 90 Deg.....	1
17	00-114845	Valve (3/4 In.) Pressure Relief.....	1
18	SC-041-01	Cap Screw 1/4-20 x 3/4 Hex Hd. (SST).....	AR
19	WL-006-17	Lockwasher 1/4 Helical (SST).....	AR
20	NS-015-01	Nut 1/4-20 Hex (SST).....	AR
21	00-748285-00001	Support - Piping (Booster Outlet) (R-L).....	1
22	FP-023-25	Coupling - Pipe 3/4 x 90 Deg. (Previous Construction).....	1
23	FP-071-63	Coupling - Reducing 3/4 to 1/2 (Current Construction).....	1
24	00-064901	Hanger.....	AR
25	SC-021-27	Mach. Screw 10-24 x 1 Slotted Rd. Hd. (SST).....	AR
26	00-074348	Speed Nut 10-24.....	AR
27	00-918568-00001	Cable Assy. (New Controls).....	1
28	00-073313	Adapter - Male 3/4 x 3/4.....	1
29	00-073305-00078	Tubing.....	3
30	FP-042-31	Pipe 3/4 x 12-1/4 TBE (Brass).....	1
31	FP-015-23	Elbow 3/4 x 90 Deg. (Brass).....	1
32	00-185768-00001	Electric Water Booster (200/208 V., 39 kW).....	1
33	00-185768-00002	Electric Water Booster (230/240 V., 39 kW).....	1
34	00-185768-00003	Electric Water Booster (460/480 V., 39 kW).....	1
35	00-287188-00003	Electric Water Booster (200/208 V., 58.5 kW).....	1
36	00-287188-00004	Electric Water Booster (230/240 V., 58.5 kW).....	1
37	00-287188-00006	Electric Water Booster (460/480 V., 58.5 kW).....	1
38	00-287188-00034	Electric Water Booster (200/208 V., 24 kW).....	1
39	00-287188-00035	Electric Water Booster (230/240 V., 24 kW).....	1
40	00-287188-00036	Electric Water Booster (460/480 V., 24 kW).....	1
41	SC-041-62	Cap Screw 5/16-18 x 2-1/2 Hex Hd. (SST) (5 Ft. With Circuit Breaker Only).....	4
42	SC-041-45	Cap Screw 1/2-13 x 1-1/2 Hex Hd. (SST).....	4
43	WL-006-35	Lockwasher 1/2 Light.....	4
44	WL-006-23	Lockwasher 5/16 Helical (SST) (5 Ft. With Circuit Breaker Only).....	4
45	WS-008-48	Washer (SST).....	4
46	WS-017-01	Washer 0.328 x 0.875 x 0.062 (SST) (5 Ft. With Circuit Breaker Only).....	4
47	NS-015-11	Nut 5/16-18 Hex (SST) (5 Ft. With Circuit Breaker Only).....	4
48	00-476622	Support - Electric Booster.....	2
49	00-073314	Union 3/4.....	1
50	00-073318	Elbow 3/4 x 90 Deg.....	1
51	00-073305-00073	Tubing 3/4 x 8-9/16.....	1
52	SC-021-40	Mach. Screw 1/4-20 x 3/4 Slotted Rd. Hd. (SST).....	1
53	WL-006-17	Lockwasher 1/4 Helical (SST).....	2
54	NS-015-01	Nut 1/4-20 Hex (SST).....	2
55	00-476745-00015	Cable Assy. - Electric Booster (Old Controls).....	1

**ELECTRIC BOOSTER
(R-L)
(PREVIOUS CONSTRUCTION)**

ILLUS.	PART NO.	NAME OF PART	AMT.
PL-58057			
*56	00-186922	Strainer - Line (3/4 In.) (Brass) (Apollo / Conbraco) (Incls. Items 57, 58, & 59) (Alternate to Item 4).....	1
57	00-749802-00001	Cap.....	1
58	00-749802-00002	Gasket.....	1
59	00-749802-00001	Cap.....	1

* Kitz line strainer is approx. 1/4" shorter than Apollo / Conbraco.

NOTES



PL-58058

**ELECTRIC BOOSTER
(L-R)
(PREVIOUS CONSTRUCTION)**

**ELECTRIC BOOSTER
(L-R)
(PREVIOUS CONSTRUCTION)**

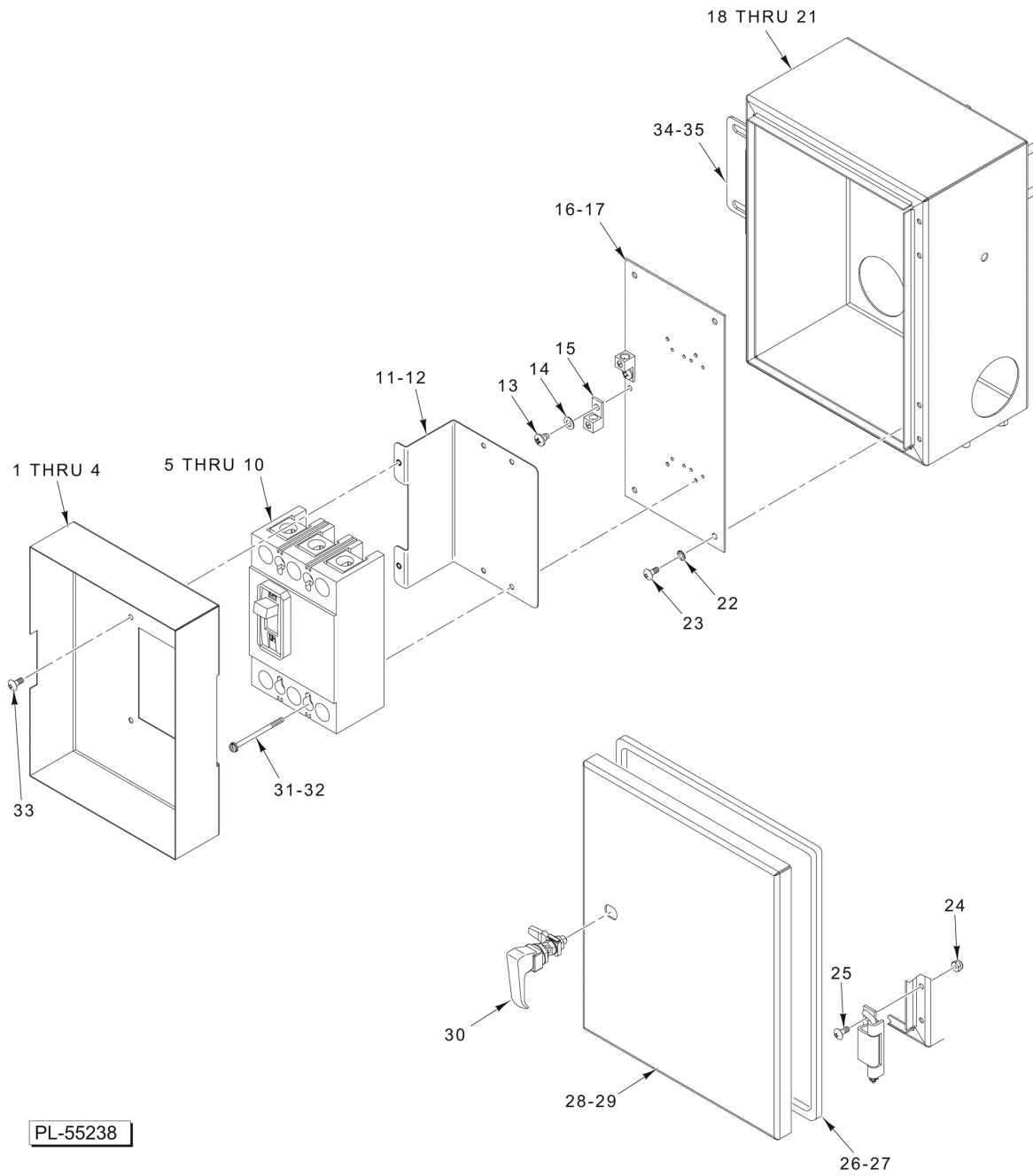
ILLUS.	PART NO.	NAME OF PART	AMT.
PL-58058			
1	00-114845	Valve (3/4 In.) Pressure Relief.....	1
2	FP-015-23	Elbow 3/4 x 90 Deg. (Brass).....	1
3	00-185768-00001	Electric Water Booster (200/208 V., 39 kW).....	AR
4	00-185768-00002	Electric Water Booster (230/240 V., 39 kW).....	AR
5	00-185768-00003	Electric Water Booster (460/480 V., 39 kW).....	AR
6	00-287188-00003	Electric Water Booster (200/208 V., 58.5 kW).....	AR
7	00-287188-00004	Electric Water Booster (230/240 V., 58.5 kW).....	AR
8	00-287188-00006	Electric Water Booster (460/480 V., 58.5 kW).....	AR
9	00-287188-00034	Electric Water Booster (200/208 V., 24 kW).....	AR
10	00-287188-00035	Electric Water Booster (230/240 V., 24 kW).....	AR
11	00-287188-00036	Electric Water Booster (460/480 V., 24 kW).....	AR
12	00-064901	Hanger.....	2
13	SC-021-27	Mach. Screw 10-24 x 1 Slotted Rd. Hd. (SST).....	2
14	00-074348	Speed Nut 10-24.....	2
15	SC-041-01	Cap Screw 1/4-20 x 3/4 Hex Hd. (SST).....	1
16	WL-006-17	Lockwasher 1/4 Helical (SST).....	1
17	NS-015-01	Nut 1/4-20 Hex (SST).....	1
18	FP-082-60	Pipe 3/4 x 21 TBE (Brass).....	1
19	FP-023-25	Coupling - Pipe 3/4 x 90 Deg. (Previous Construction).....	1
20	FP-077-63	Coupling - Reducing 3/4 x 1/2 (Brass) (Current Construction).....	1
21	00-748285-00002	Support - Piping (Booster Outlet) (L-R).....	1
22	SC-041-01	Cap Screw 1/4-20 x 3/4 Hex Hd. (SST).....	1
23	WL-006-17	Lockwasher 1/4 Helical (SST).....	1
24	NS-015-01	Nut 1/4-20 Hex (SST).....	1
25	SC-021-40	Mach. Screw 1/4-20 x 3/4 Slotted Rd. Hd. (SST).....	1
26	WL-006-17	Lockwasher 1/4 Helical (SST).....	2
27	NS-015-01	Nut 1/4-20 Hex (SST).....	2
28	00-064901	Hanger.....	2
29	SC-021-27	Mach. Screw 10-24 x 1 Slotted Rd. Hd. (SST).....	2
30	00-074348	Speed Nut 10-24.....	2
31	00-893294	Valve - Pressure Regulating (3/4 In.).....	1
32	FP-041-50	Pipe 3/4 x 1-3/8 TBE (Brass).....	1
33	FP-015-22	Elbow Pipe 3/4 x 45 Deg. (Brass).....	1
34	FP-041-50	Pipe 3/4 x 1-3/8 TBE (Brass).....	1
35	SC-041-62	Cap Screw 5/16-18 x 2-1/2 Hex Hd. (SST) (5 Ft. With Circuit Breaker Only).....	4
36	SC-041-45	Cap Screw 1/2-13 x 1-1/2 Hex Hd. (SST) (All Other Models).....	4
37	WL-006-35	Lockwasher 1/2 Light.....	4
38	WS-008-48	Washer (SST).....	4
39	00-476622	Support - Electric Booster.....	2
*40	00-186922	Strainer - Line (3/4 In.) (Brass) (Kitz) (Incls. Items 41, 42, & 43) (Alternate to Item 58)	1
41	00-186923	Plug - Branch.....	1
42	00-186924	Gasket - Branch Plug.....	1
43	00-186925	Screen - Line Strainer.....	1
44	FP-082-60	Pipe 3/4 x 21 TBE (Brass) (Without Circuit Breaker) (Current Construction).....	1
45	FP-082-62	Pipe 3/4 x 23-7/8 TBE (Brass) (Current Construction).....	1
46	FP-042-71	Pipe 3/4 x 31-5/8 TBE (Brass) (Current Construction).....	1
47	FP-015-23	Elbow 3/4 x 90 Deg. (Brass).....	1
48	FP-041-53	Pipe 3/4 x 1-3/4 TBE (Brass).....	1
49	FP-023-25	Coupling - Pipe 3/4 x 90 Deg.....	1
50	FP-027-22	Bushing - Pipe 3/4 to 1/2 (Brass) (With 1/2 In. Hose).....	1
51	00-476745-00015	Cable Assy. - Electric Booster (Old Controls).....	1
52	00-918568-00001	Cable Assy. (New Controls).....	1
53	00-073313	Adapter - Male 3/4 x 3/4.....	1
54	00-073305-00078	Tubing.....	1
55	00-073314	Union 3/4.....	1

**ELECTRIC BOOSTER
(L-R)
(PREVIOUS CONSTRUCTION)**

ILLUS. PL-58058	PART NO.	NAME OF PART	AMT.
56	00-073318	Elbow 3/4 x 90 Deg.....	1
57	00-073305-00073	Tubing 3/4 x 8-9/16.....	1
*58	00-186922	Strainer - Line (3/4 In.) (Brass Apollo / Conbraco) (Incls. Items 59, 60 & 61) (Alternate to Item 40).....	1
59	00-749802-00001	Cap.....	1
60	00-749802-00002	Gasket.....	1
61	00-749802-00003	Screen (80 Mesh).....	1

* Kitz line strainer is approx. 1/4" shorter than Apollo / Conbraco.

NOTES

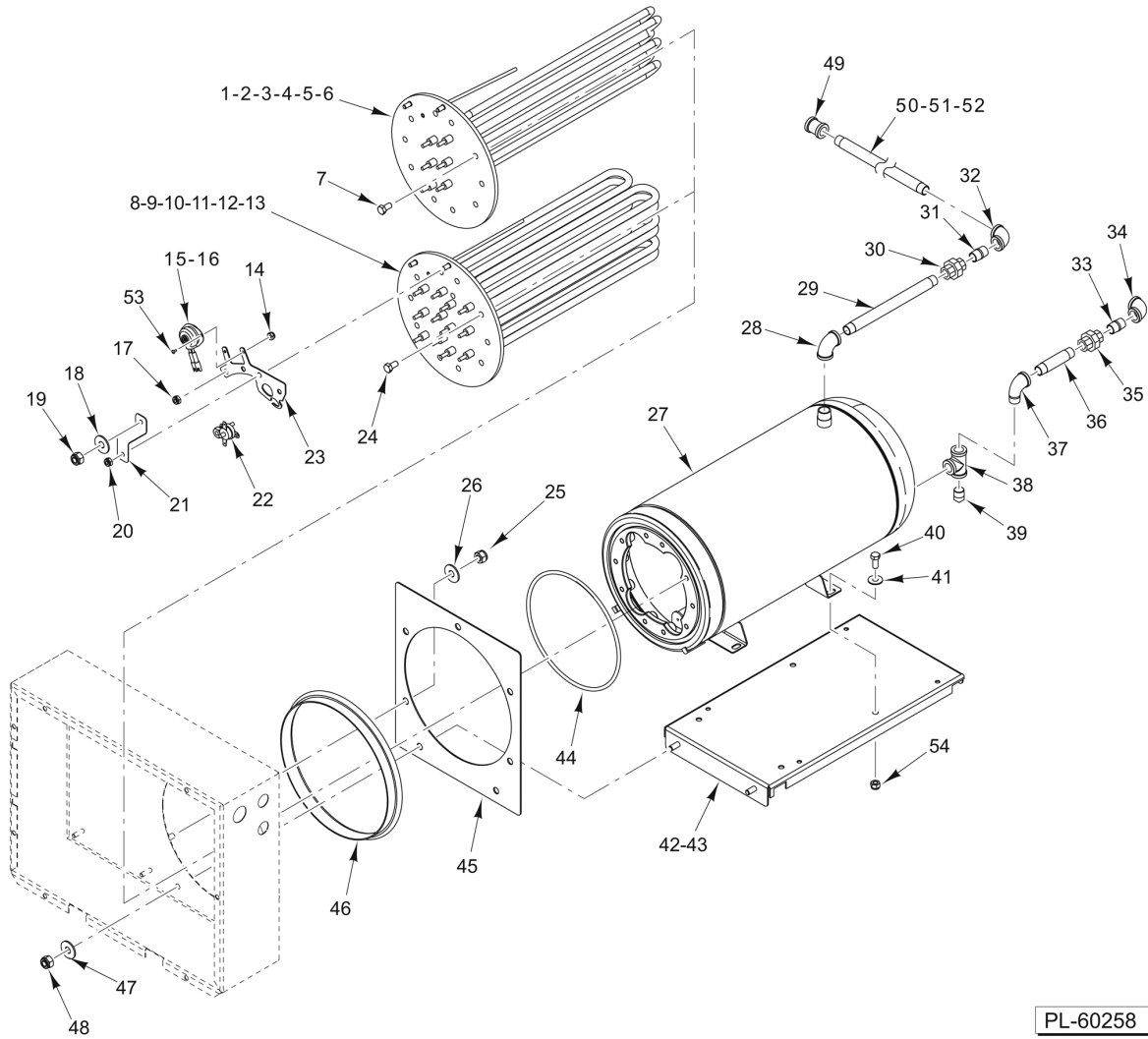


**ELECTRIC BOOSTER CIRCUIT BREAKER BOX
(PREVIOUS CONSTRUCTION)**

**ELECTRIC BOOSTER CIRCUIT BREAKER BOX
(PREVIOUS CONSTRUCTION)**

ILLUS.	PART NO.	NAME OF PART	AMT.
PL-55238			
1	00-748461-00001	Cover - Circuit Breaker (125 Amp./200 Amp.) (L-R).....	1
2	00-748461-00002	Cover - Circuit Breaker (125 Amp./200 Amp.) (R-L).....	1
3	00-748434-00001	Cover - Circuit Breaker (50 Amp./60 Amp./70 Amp./90 Amp.) (L-R).....	1
4	00-748434-00002	Cover - Circuit Breaker (50 Amp./60 Amp./70 Amp./90 Amp.) (R-L).....	1
5	00-748837-00001	Circuit Breaker (125 Amp.) (Under 250 V.).....	1
6	00-748837-00004	Circuit Breaker (200 Amp.) (Under 250 V.).....	1
7	00-476250-00006	Circuit Breaker (50 Amp.) (600 V.).....	1
8	00-476250-00007	Circuit Breaker (60 Amp.) (380/480 V.).....	1
9	00-476250-00008	Circuit Breaker (70 Amp.) (600 V.).....	1
10	00-476250-00010	Circuit Breaker (90 Amp.) (380/480 V.).....	1
11	00-748435	Bracket - Circuit Breaker (380/480 V./600 V.).....	1
12	00-748874	Bracket - Circuit Breaker (Under 250 V.).....	1
13	SD-035-77	Self-Tapping Screw 1/4-20 x 3/8 Phil. Pan Hd., Type TT.....	AR
14	WL-007-15	Lockwasher 1/4 External Shakeproof.....	AR
15	00-118544-00002	Lug - Grounding.....	AR
16	00-748386-00001	Plate - Base (5 Ft. L-R).....	1
17	00-748386-00002	Plate - Base (5 Ft. R-L And All Others).....	1
18	00-748385-00001	Breaker Box Assy. (5 Ft. L-R).....	1
19	00-748385-00002	Breaker Box Assy. (5 Ft. R-L).....	1
20	00-748385-00003	Breaker Box Assy. (All Except 5 Ft.) (Service Only).....	1
*21	00-892664	Breaker Box Assy. (All Except 5 Ft.).....	1
22	WL-014-07	Lockwasher #10 External Shakeproof (SST).....	4
23	SC-066-06	Mach. Screw 10-24 x 1/2 Phil. Truss Hd. (SST).....	4
24	NS-031-15	Stop Nut 10-24 Hex (SST).....	4
25	SC-066-06	Mach. Screw 10-24 x 1/2 Phil. Truss Hd. (SST).....	4
26	00-476871-00005	Gasket.....	1
*27	00-476871-00006	Gasket (All Except 5 Ft.).....	1
28	00-748384	Lid - Breaker Box Assy.....	1
29	00-892665	Cover - Circuit Breaker Box (All Except 5 Ft.).....	1
30	00-748437	Latch - Breaker Box.....	1
31	00-476250-00012	Kit - Circuit Breaker Mounting.....	1
32	00-748837-00006	Kit - Circuit Breaker Mounting (600 V.).....	1
33	SC-066-06	Mach. Screw 10-24 x 1/2 Phil. Truss Hd. (SST).....	2
34	00-748388	Bracket - Breaker Box Support (5 Ft., L-R).....	1
35	00-748510	Support - Electric Booster Conduit.....	1

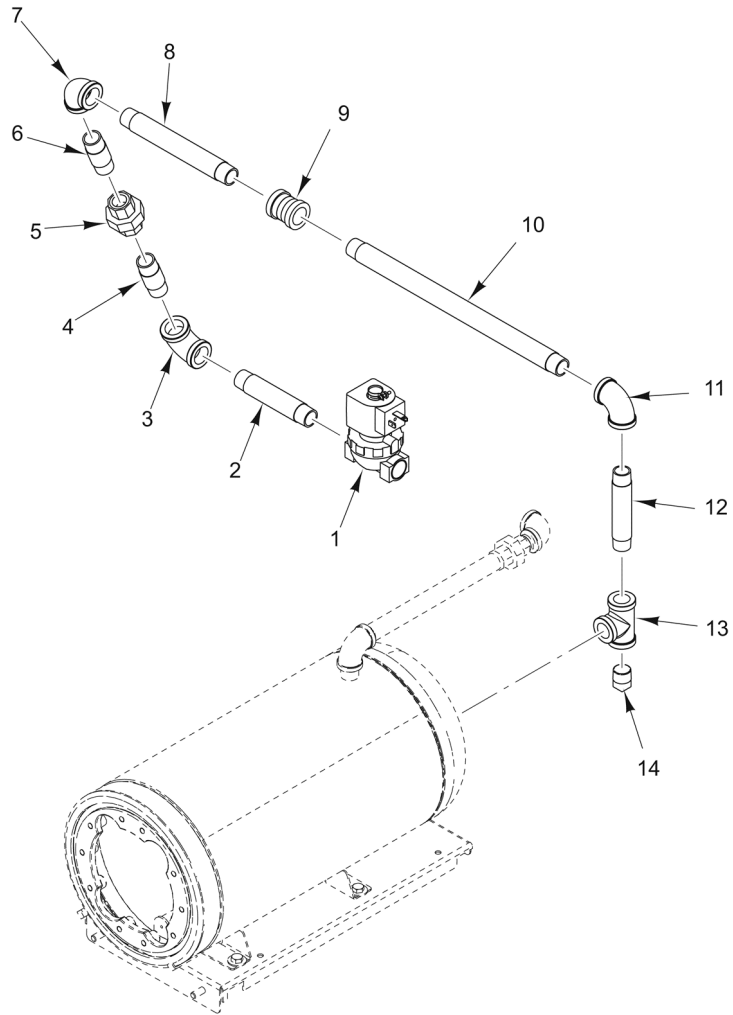
* Use For Units Built After 4/3/2002



**ELECTRIC BOOSTER
(CURRENT CONSTRUCTION)**

**ELECTRIC BOOSTER
(CURRENT CONSTRUCTION)**

ILLUS. PL-60258	PART NO.	NAME OF PART	AMT.
1	00-941318-00001	Element - Heater (15 kW, 208 V.).....	1
2	00-941318-00002	Element - Heater (15 kW, 240 V.).....	1
3	00-941318-00003	Element - Heater (15 kW, 480 V.).....	1
4	00-941318-00004	Element - Heater (15 kW, 380 V.).....	1
5	00-941318-00005	Element - Heater (15 kW, 415 V.).....	1
6	00-941318-00006	Element - Heater (15 kW, 600 V.).....	1
7	00-918512	Mounting Screw (With Sealer).....	10
8	00-941317-00001	Element - Heater (30 kW, 208 V.).....	1
9	00-941317-00002	Element - Heater (30 kW, 240 V.).....	1
10	00-941317-00003	Element - Heater (30 kW, 480 V.).....	1
11	00-941317-00004	Element - Heater (30 kW, 380 V.).....	1
12	00-941317-00005	Element - Heater (30 kW, 415 V.).....	1
13	00-941317-00006	Element - Heater (30 kW, 600 V.).....	1
14	NS-031-50	Stop Nut 6-32 Hex (SST).....	2
15	00-271123	Protector - High Limit.....	1
16	00-293946-00002	Sleeve.....	1
17	NS-031-21	Stop Nut 1/4-20 Hex (SST).....	2
18	WS-017-06	Washer (SST).....	1
19	NS-031-21	Stop Nut 1/4-20 Hex (SST).....	1
20	NS-031-21	Stop Nut 1/4-20 Hex (SST).....	1
21	00-941216	Bracket (Control Box to Booster).....	1
22	00-294615-00001	Control - Temperature.....	1
23	00-941226	Bracket (Electrical Booster Hi Limit).....	1
24	00-918512	Mounting Screw (With Sealer).....	10
25	NS-036-19	Stop Nut 5/16-18 Hex (SST).....	5
26	WS-017-01	Washer 0.328 x 0.875 x 0.062 (SST).....	5
27	00-918500-00002	Tank - Booster.....	1
28	FP-015-16	Elbow - Pipe 1/2 x 90 Deg. (Brass).....	1
29	FP-041-08	Pipe 1/2 x 9-3/8 TBE (Brass).....	1
30	FP-022-12	Union - Pipe (Brass).....	1
31	FP-040-50	Pipe 1/2 x 2 TBE (Brass).....	1
32	FP-015-16	Elbow - Pipe 1/2 x 90 Deg. (Brass).....	1
33	FP-040-50	Pipe 1/2 x 2 TBE (Brass) (Without ER).....	1
34	FP-015-16	Elbow - Pipe 1/2 x 90 Deg. (Brass) (Without ER).....	1
35	FP-022-12	Union - Pipe (Brass) (Without ER).....	1
36	FP-040-69	Pipe 1/2 x 3-1/2 TBE (Brass) (Without ER).....	1
37	FP-015-17	Elbow - Pipe 1/2 x 90 Deg. (Brass) (Without ER).....	1
38	FP-019-21	Tee - Pipe 1/2 x 1/2 x 1/2 (Brass) (Without ER).....	1
39	FP-028-15	Pipe Plug 1/2 Sq. Hd. (Brass) (Without ER).....	1
40	SC-041-11	Cap Screw 5/16-18 x 3/4 Hex Hd. (SST).....	4
41	WS-017-01	Washer 0.328 x 0.875 x 0.062 (SST).....	4
42	00-941213	Bracket - Mounting.....	1
43	00-941212	Plate - Mounting.....	1
44	00-067500-00148	O-Ring.....	1
45	00-941235	Plate - Control Box.....	1
46	00-941221	Gasket - Control Box.....	1
47	WS-017-01	Washer 0.328 x 0.875 x 0.062 (SST).....	2
48	NS-036-19	Stop Nut 5/16-18 Hex (SST).....	2
49	FP-023-19	Coupling - Pipe 1/2 (Brass).....	1
50	FP-041-36	Pipe 1/2 x 21-1/2 TBE (Brass).....	1
51	FP-082-47	NLA - Obsolete--Pipe 1/2 x 30.....	1
52	FP-082-48	NLA - Obsolete--Pipe 1/2 x 36.....	1
53	SC-127-26	Mach. Screw 6-32 x 3/8 Phil. Rd. Hd. (SST).....	2
54	NS-036-19	Stop Nut 5/16-18 Hex (SST).....	4

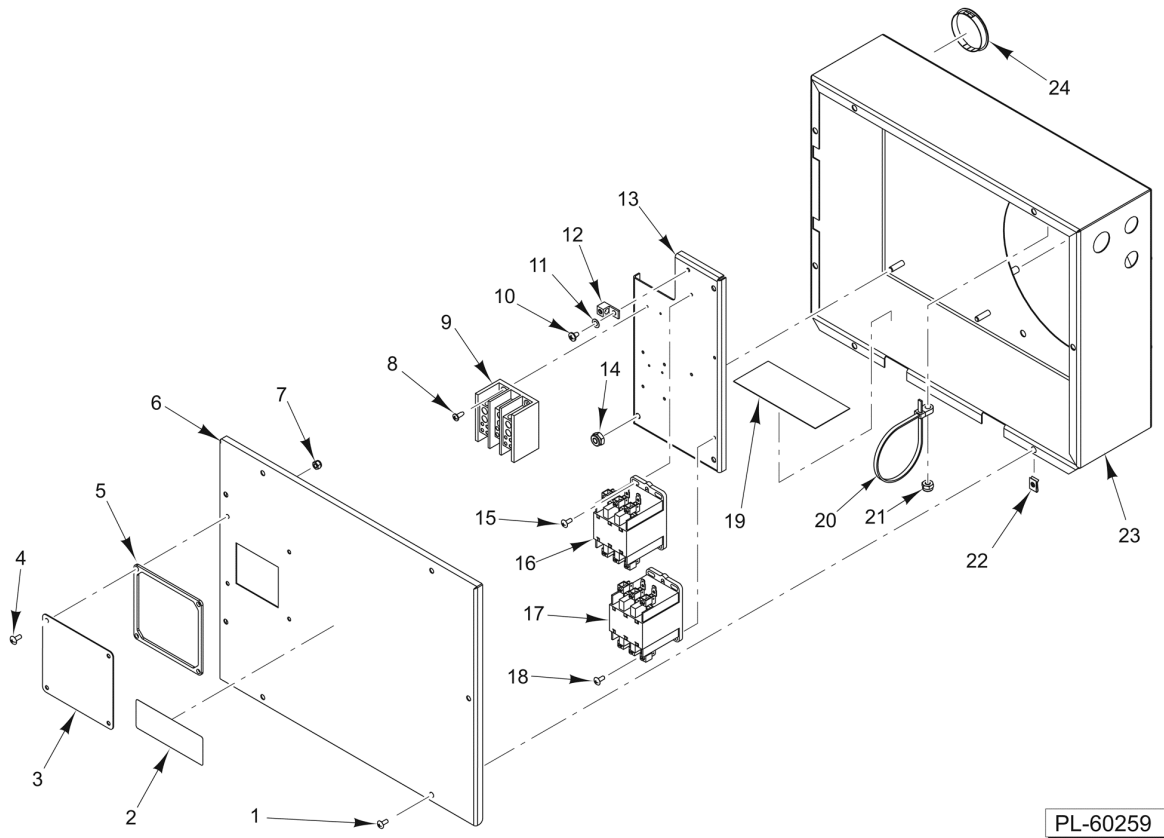


PL-60257

**ELECTRIC BOOSTER PIPING
(WITH ENERGY RECOVERY)**

**ELECTRIC BOOSTER PIPING
(WITH ENERGY RECOVERY)**

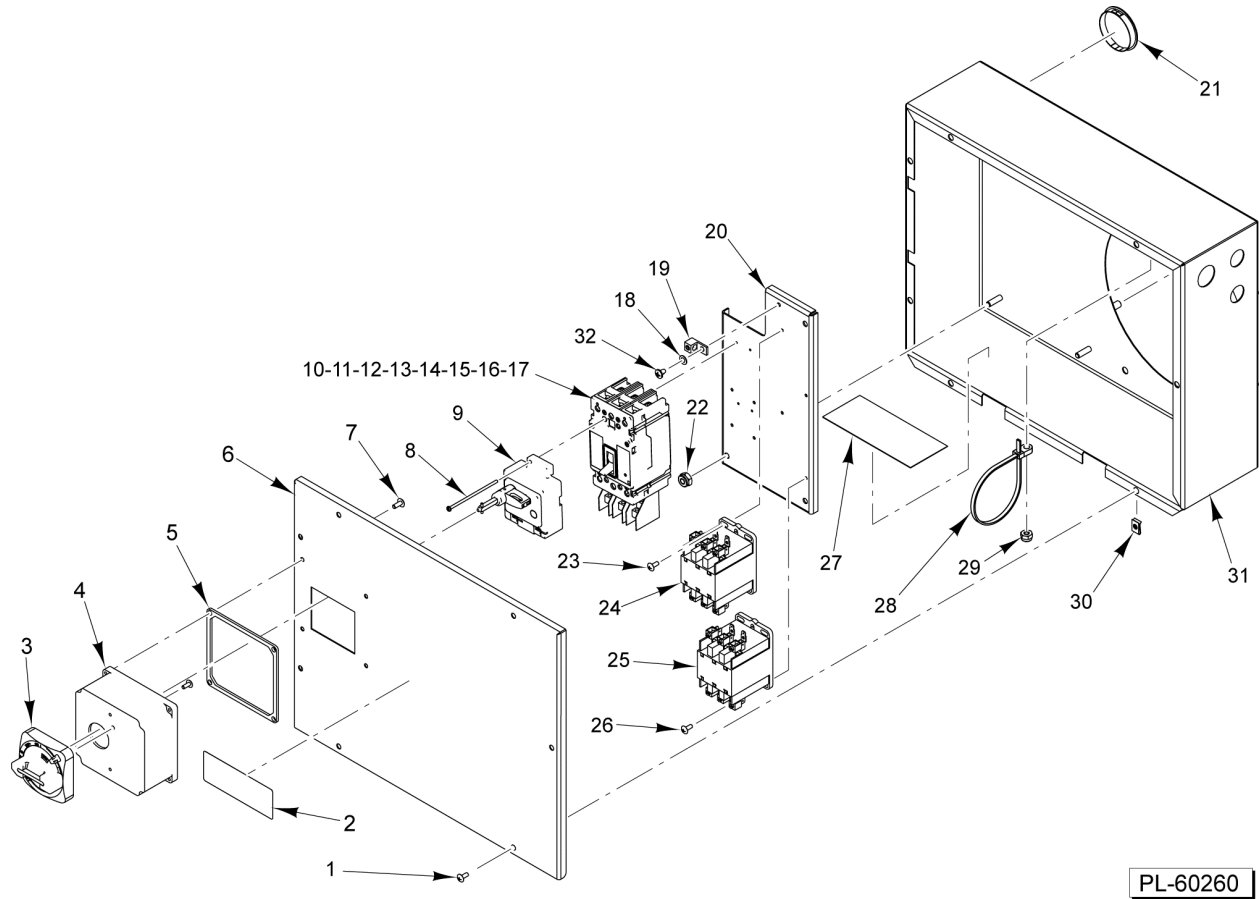
ILLUS.	PART NO.	NAME OF PART	AMT.
PL-60257			
1	00-893100-00001	Solenoid Valve (1/2) (120 V.).....	1
2	FP-040-73	Pipe 1/2 x 4 TBE (Brass).....	1
3	FP-015-16	Elbow - Pipe 1/2 x 90 Deg. (Brass).....	1
4	FP-040-50	Pipe 1/2 x 2 TBE (Brass).....	1
5	FP-022-12	Union - Pipe (Brass).....	1
6	FP-040-50	Pipe 1/2 x 2 TBE (Brass).....	1
7	FP-015-16	Elbow - Pipe 1/2 x 90 Deg. (Brass).....	1
8	FP-040-88	Pipe 1/2 x 6 TBE (Brass).....	1
9	FP-023-19	Coupling - Pipe 1/2 (Brass).....	1
10	FP-041-16	Pipe 1/2 x 12 TBE (Brass).....	1
11	FP-015-16	Elbow - Pipe 1/2 x 90 Deg. (Brass).....	1
12	FP-040-73	Pipe 1/2 x 4 TBE (Brass).....	1
13	FP-019-21	Tee - Pipe 1/2 x 1/2 x 1/2 (Brass).....	1
14	FP-028-15	Pipe Plug 1/2 Sq. Hd. (Brass).....	1



**ELECTRICAL BOX
(WITHOUT CIRCUIT BREAKER)**

**ELECTRICAL BOX
(WITHOUT CIRCUIT BREAKER)**

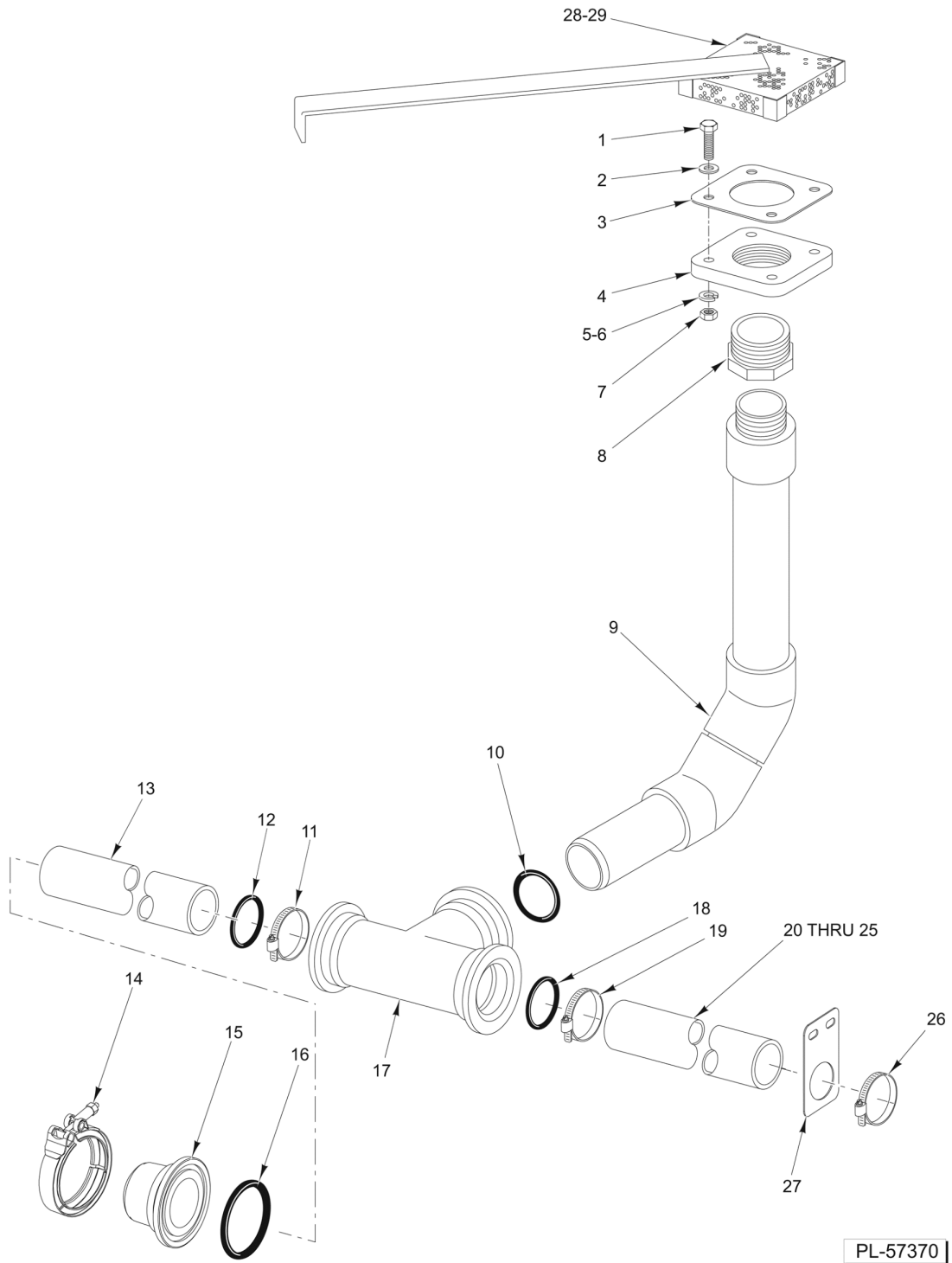
ILLUS.	PART NO.	NAME OF PART	AMT.
PL-60259			
1	SC-066-06	Mach. Screw 10-24 x 1/2 Phil. Truss Hd. (SST).....	7
2	00-438131-00032	Label - Warning.....	1
3	00-941214	Plate - Cover.....	1
4	SC-066-06	Mach. Screw 10-24 x 1/2 Phil. Truss Hd. (SST).....	4
5	00-112007	Gasket.....	1
6	00-941191	Cover - Electrical Box.....	1
7	NS-031-15	Stop Nut 10-24 Hex (SST).....	4
8	SD-008-25	Self-Tapping Screw 10-16 x 1/2 Phil. Pan Hd., Type B.....	2
9	00-119031	Block - Terminal.....	1
10	SD-035-77	Self-Tapping Screw 1/4-20 x 3/8 Phil. Pan Hd., Type TT.....	1
11	WL-007-16	Lockwasher 1/4 External Shakeproof.....	1
12	00-118544-00002	Lug - Grounding.....	1
13	00-941192	Plate - Base.....	1
14	NS-031-21	Stop Nut 1/4-20 Hex (SST).....	3
15	SD-008-25	Self-Tapping Screw 10-16 x 1/2 Phil. Pan Hd., Type B.....	1
16	00-918322	Contact (40 Amp., 3-Pole).....	1
17	00-918322	Contact (40 Amp., 3-Pole) (Units With 30 kW Booster).....	1
18	SD-008-25	Self-Tapping Screw 10-16 x 1/2 Phil. Pan Hd., Type B.....	1
19	0F-038356	Label.....	1
20	00-122577-00002	Wire - Tie.....	1
21	NS-031-15	Stop Nut 10-24 Hex (SST).....	1
22	00-074348	Speed Nut 10-24.....	7
23	00-941190	Control Box - Electrical.....	1
24	PB-005-32	Plug - Button.....	1



**ELECTRICAL BOX
(WITH CIRCUIT BREAKER)**

**ELECTRICAL BOX
(WITH CIRCUIT BREAKER)**

ILLUS.	PART NO.	NAME OF PART	AMT.
PL-60260			
1	SC-066-06	Mach. Screw 10-24 x 1/2 Phil. Truss Hd. (SST).....	7
2	00-438131-00032	Label - Warning.....	1
3	00-941219	Actuator Assy. (Handle).....	1
4	00-941211	Box - Electrical Booster.....	1
5	00-112007	Gasket.....	1
6	00-941191	Cover - Electrical Box.....	1
7	SD-012-20	Self-Tapping Screw 8-32 x 1/2 Phil. Truss Hd., Type T.....	1
8	00-918550-00015	Kit - Circuit Breaker Mounting Hardware.....	4
9	00-941219	Actuator Assy.....	1
10	00-919646-00002	Breaker (3-Pole) (15 kW, 600 V., 20 Amp.).....	1
11	00-919646-00004	Breaker (3-Pole) (15 kW, 380-415 V., 30 Amp.).....	1
12	00-919646-00003	Breaker (3-Pole) (15 kW, 480 V., 25 Amp.).....	1
13	00-919646-00008	Breaker (3-Pole) (30 kW, 480 V., 50 Amp.) (15 kW, 240 V., 50 Amp.).....	1
14	00-919646-00009	Breaker (3-Pole) (30 kW, 380-415 V., 60 Amp.) (15 kW, 200-208 V., 60 Amp.).....	1
15	00-919646-00013	Breaker (3-Pole) (30 kW, 208-480 V., 100 Amp.).....	1
16	00-919646-00014	Breaker (3-Pole) (30 kW, 200-208 V., 125 Amp.).....	1
17	00-919646-00006	Breaker (3-Pole) (30 kW, 600 V., 40 Amp.).....	1
18	WL-007-16	Lockwasher 1/4 External Shakeproof.....	1
19	00-118544-00002	Lug - Grounding.....	1
20	00-941192	Plate - Base.....	1
21	PB-005-32	Plug - Button.....	1
22	NS-031-21	Stop Nut 1/4-20 Hex (SST).....	3
23	SD-008-25	Self-Tapping Screw 10-16 x 1/2 Phil. Pan Hd., Type B.....	1
24	00-918322	Contactactor (40 Amp., 3-Pole).....	1
25	00-918322	Contactactor (40 Amp., 3-Pole) (Units With 30 kW Booster).....	1
26	SD-008-25	Self-Tapping Screw 10-16 x 1/2 Phil. Pan Hd., Type B.....	1
27	0F-038356	Label.....	1
28	00-122577-00002	Wire - Tie.....	1
29	NS-031-15	Stop Nut 10-24 Hex (SST).....	1
30	00-074348	Speed Nut 10-24.....	7
31	00-941190	Control Box - Electrical.....	1
32	SD-035-77	Self-Tapping Screw 1/4-20 x 3/8 Phil. Pan Hd., Type TT.....	1

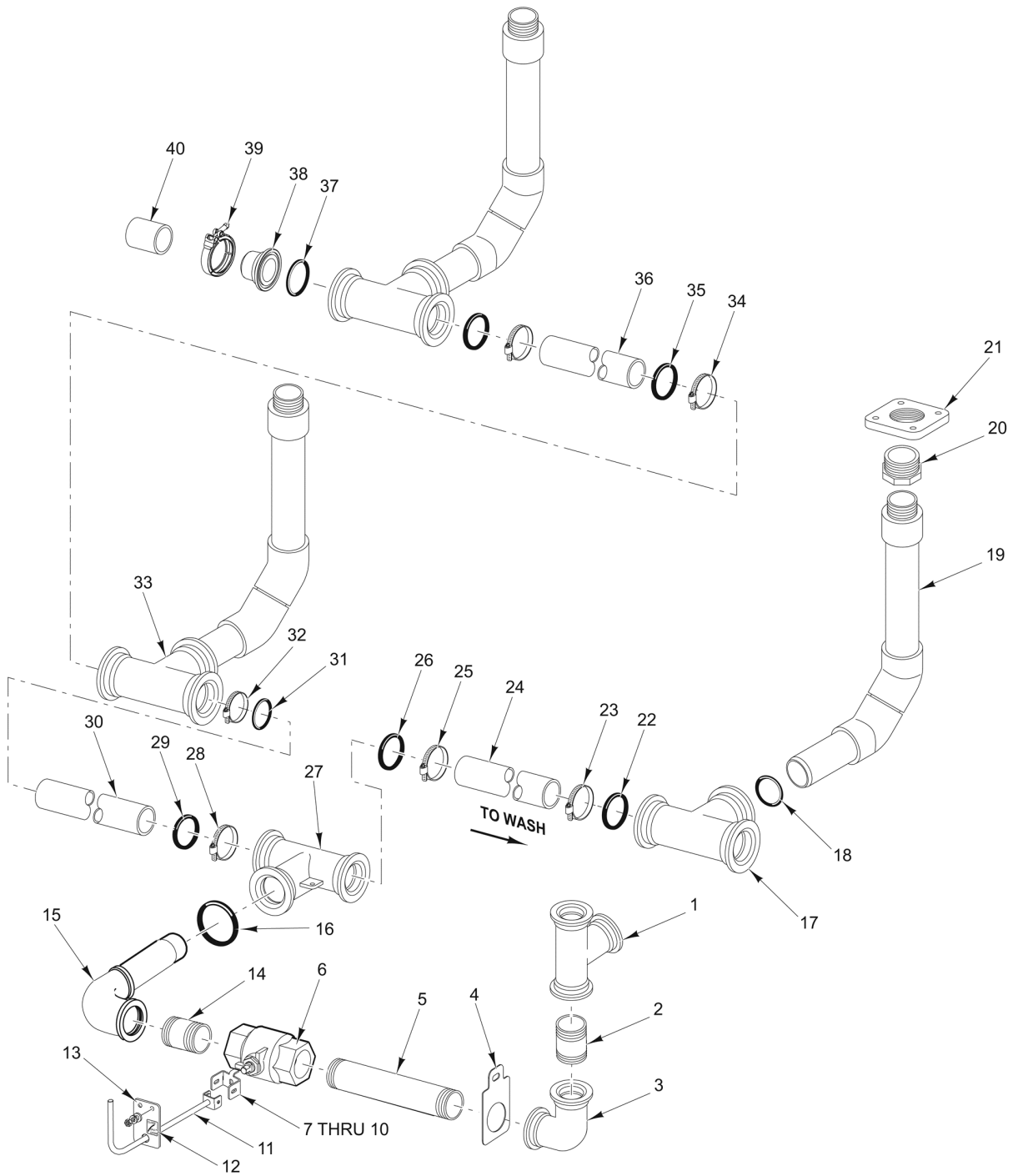


PL-57370

**DRAIN UNIT
(CPVC)
(UNLOAD - AS REQUIRED)
(FT900 AND FT900S)**

**DRAIN UNIT
(CPVC)
(UNLOAD - AS REQUIRED)
(FT900 AND FT900S)**

ILLUS. PL-57370	PART NO.	NAME OF PART	AMT.
1	SC-041-32	Cap Screw 3/8-16 x 1-1/2 Hex Hd. (SST).....	4
2	WS-006-44	Washer (SST).....	4
3	00-009934-00001	Gasket - Drain Flange.....	1
4	00-063240	Flange - Drain.....	1
5	WL-006-28	Lockwasher 3/8 Helical.....	4
6	WS-030-05	Washer (SST).....	4
7	NS-015-13	Nut 3/8-16 Hex (SST).....	4
8	00-893861	Reducer 2 MPT x 1-1/2 FPT (CPVC).....	1
9	00-893868	Pipe Assy. - Discharge Drain (CPVC) (Unload).....	1
10	00-067500-00146	O-Ring.....	1
11	00-542337	Clamp - Hose.....	1
12	00-067500-00146	O-Ring.....	1
13	00-289467-00018	Pipe - Drain Unload (8 In.).....	1
14	00-476098	Clamp - Discharge Tube.....	1
15	00-475927-00002	Plug - Drain Valve.....	1
16	00-067500-00131	O-Ring.....	1
17	00-749650-00003	Tee - Drain (CPVC) (Unload).....	1
18	00-067500-00134	O-Ring.....	1
19	00-542337	Clamp - Hose.....	1
20	00-289467-00008	Pipe - Drain Unload (13-1/2 In.) (R-L).....	1
21	00-289467-00007	Pipe - Drain Unload (33-1/4 In.) (L-R).....	1
22	00-289467-00009	Pipe - Drain Unload (62 In.) (Between Unload Tank 1 and Unload Tank 2).....	1
23	00-289467-00010	Pipe - Drain Unload (44 In.) (Between Unload Tank 2 and Unload Tank 3).....	1
24	00-289467-00019	Pipe - Drain Unload (57 In.).....	1
25	00-289467-00002	Pipe - Drain Unload (38-1/4 In.).....	1
26	00-542337	Clamp - Hose.....	1
27	00-748181	Support - Drain Pipe (FT900D & FT900SD).....	AR
28	00-749095	Screen - Drain.....	AR
29	00-947897	Screen - Drain.....	AR

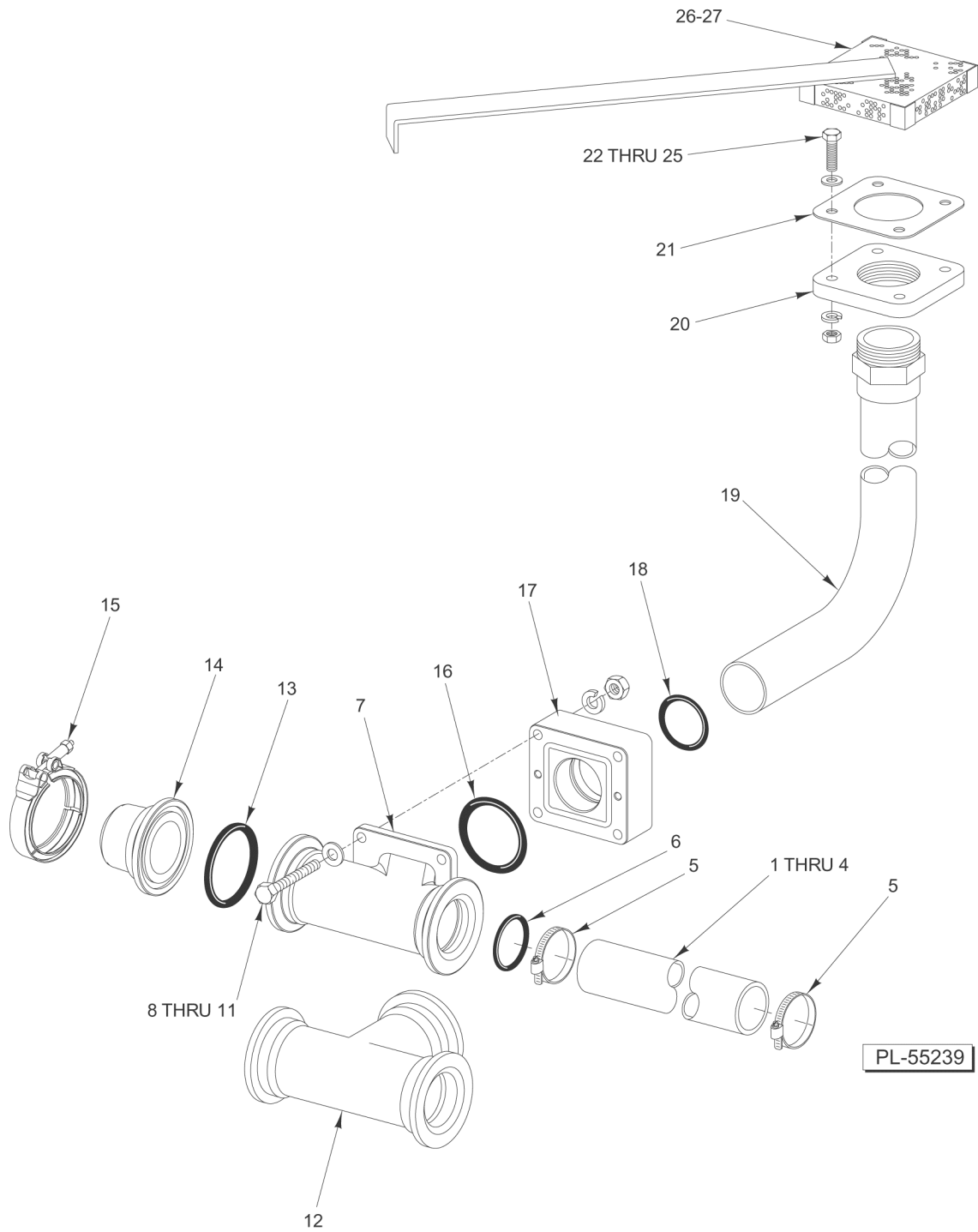


PL-58707

**DRAIN UNIT
(CPVC)
(UNLOAD)
(FT900D AND FT900SD)**

**DRAIN UNIT
(CPVC)
(UNLOAD)
(FT900D AND FT900SD)**

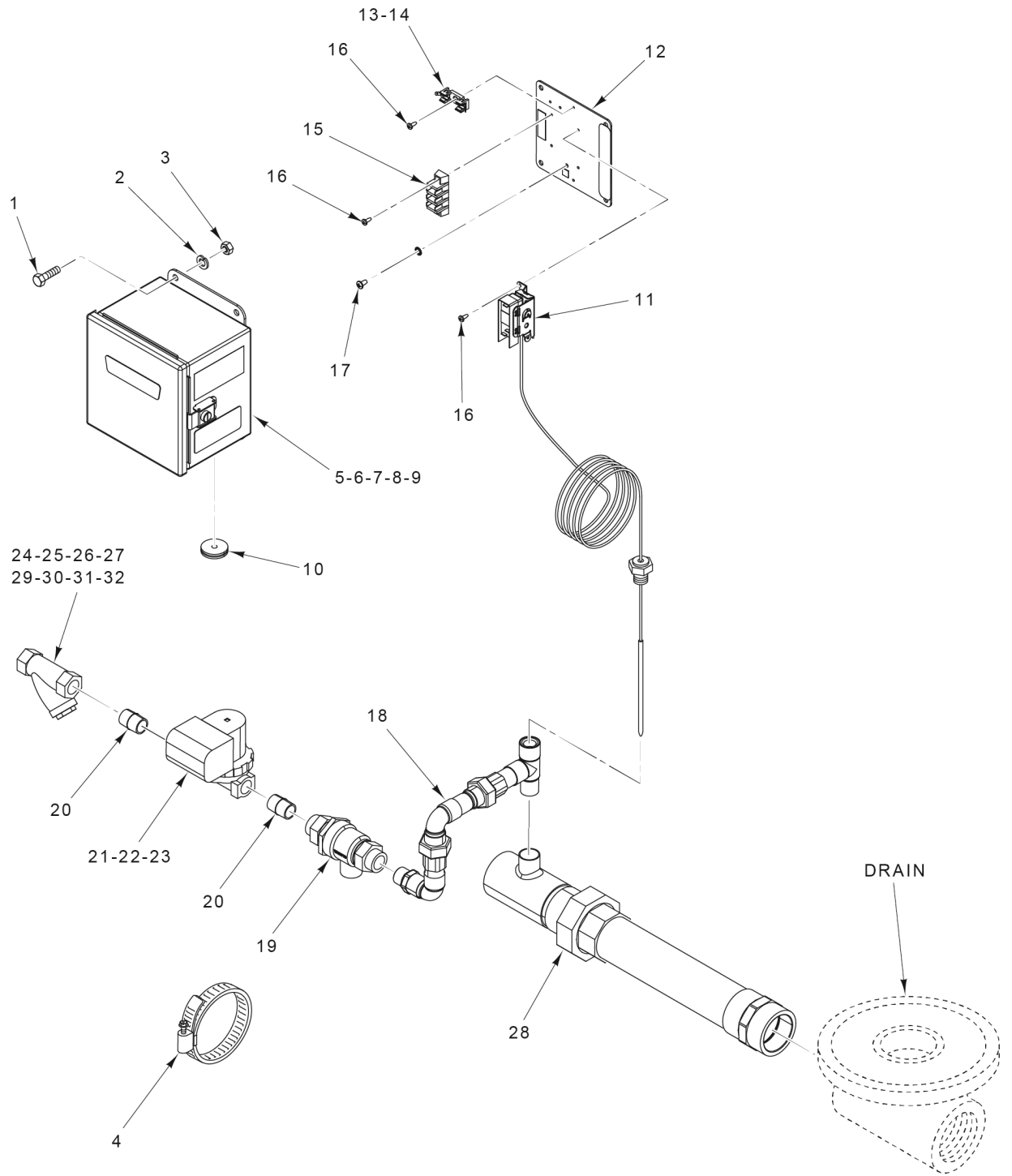
ILLUS. PL-58707	PART NO.	NAME OF PART	AMT.
1	FP-019-89	Tee - Pipe 1-1/2 x 1-1/2 x 3/4 (Brass).....	1
2	FP-054-58	Pipe 1-1/2 x 1-3/4 TBE (SST).....	1
3	FP-015-32	Elbow - Pipe 1-1/2 x 90 Deg. (Brass).....	1
4	00-893667	Plate - Drain Pipe Support.....	1
5	FP-090-16	Pipe 1-1/2 x 22 TBE (SST).....	1
6	00-287826-00001	Valve - Ball.....	1
7	00-748005	Bracket - Valve (Manual).....	1
8	SC-041-11	Cap Screw 5/16-18 x 3/4 Hex Hd. (SST).....	2
9	WS-017-01	Washer 0.328 x 0.875 x 0.062 (SST).....	2
10	WL-006-23	Lockwasher 5/16 Helical (SST).....	2
11	00-748006	Handle - Manual.....	1
12	00-748025	Label - Drain.....	1
13	00-748186	Support - Drain Handle.....	1
14	FP-054-58	Pipe 1-1/2 x 1-3/4 TBE (SST).....	1
15	00-749552	Elbow - Drain Adapter.....	1
16	00-067500-00126	O-Ring - AS568 Size 133 (1.8 x .103).....	1
17	00-749650-00003	Tee - Drain Center.....	1
18	00-067500-00146	O-Ring.....	1
19	00-893868	Pipe Assy. - Discharge Drain (CPVC) (Unload).....	1
20	00-893861	Reducer 2 MPT x 1-1/2 FPT (CPVC).....	1
21	00-063240	Flange - Drain.....	1
22	00-067500-00134	O-Ring.....	1
23	00-542337	Clamp - Hose.....	1
24	00-289467-00018	Pipe - Drain (8 In.).....	1
25	00-542337	Clamp - Hose.....	1
26	00-067500-00134	O-Ring.....	1
27	00-749650-00001	Tee - Drain Center.....	1
28	00-542337	Clamp - Hose.....	1
29	00-067500-00134	O-Ring.....	1
30	00-289467-00013	Pipe - Drain (26 In.) (Between Unload Tank 1 and Unload Tank 2).....	1
31	00-067500-00134	O-Ring.....	1
32	00-542337	Clamp - Hose.....	1
33	00-749650-00003	Tee - Drain Center.....	2
34	00-542337	Clamp - Hose.....	2
35	00-067500-00134	O-Ring.....	2
36	00-289467-00010	Pipe - Drain (44 In.) (Between Unload Tank 2 and Unload Tank 3).....	1
37	00-067500-00131	O-Ring.....	1
38	00-475927-00001	Connector - Drain Valve.....	1
39	00-476098	Clamp - Discharge Tube.....	1
40	00-893666	Hose - Coupling.....	1



**DRAIN UNIT
(SST)
(UNLOAD - AS REQUIRED)**

**DRAIN UNIT
(SST)
(UNLOAD - AS REQUIRED)**

ILLUS. PL-55239	PART NO.	NAME OF PART	AMT.
1	00-289467-00008	Pipe - Drain (Unload, 13-1/2 Lg.).....	1
2	00-289467-00007	Pipe - Drain (Unload, 33-1/4 Lg.) (L-R).....	1
3	00-289467-00009	Pipe - Drain (Unload, 62 In.).....	1
4	00-289467-00010	Pipe - Drain (Unload, 44 In.).....	1
5	00-542337	Clamp - Hose.....	2
6	00-067500-00134	O-Ring.....	1
7	00-475925	Tee - Connection (Drain Valve) (Original Design).....	1
8	SC-041-62	Cap Screw 5/16-18 x 2-1/2 Hex Hd. (SST) (Original Design).....	4
9	WS-017-08	Washer (0.328 x 0.625 x 0.062) (SST) (Original Design).....	8
10	WL-006-23	Lockwasher 5/16 Helical (SST) (Original Design).....	4
11	NS-015-11	Nut 5/16-18 Hex (SST) (Original Design).....	4
12	00-749650-00002	Tee - Drain Unload (Second Design).....	1
13	00-067500-00131	O-Ring.....	1
14	00-475927-00002	Plug - Drain Valve.....	1
15	00-476098	Clamp - Discharge Tube.....	1
16	00-067500-00137	O-Ring (Original Design).....	1
17	00-748026-00002	Connector - Adapter (Manual) (Original Design).....	1
18	00-067500-00134	O-Ring.....	1
19	00-748145	NLA - Obsolete--Pipe Assy. - Discharge Drain (Unload) (Incls. Item 20).....	1
20	00-063240	Flange - Drain.....	1
21	00-009934-00001	Gasket - Drain Flange.....	1
22	SC-041-31	Cap Screw 3/8-16 x 1-1/4 Hex Hd. (SST).....	4
23	WS-006-44	Washer (SST).....	4
24	WL-006-28	Lockwasher 3/8 Helical.....	4
25	NS-015-13	Nut 3/8-16 Hex (SST).....	4
26	00-748288	Screen - Drain (Original Design).....	AR
27	00-749095	Screen - Drain (Second Design).....	AR



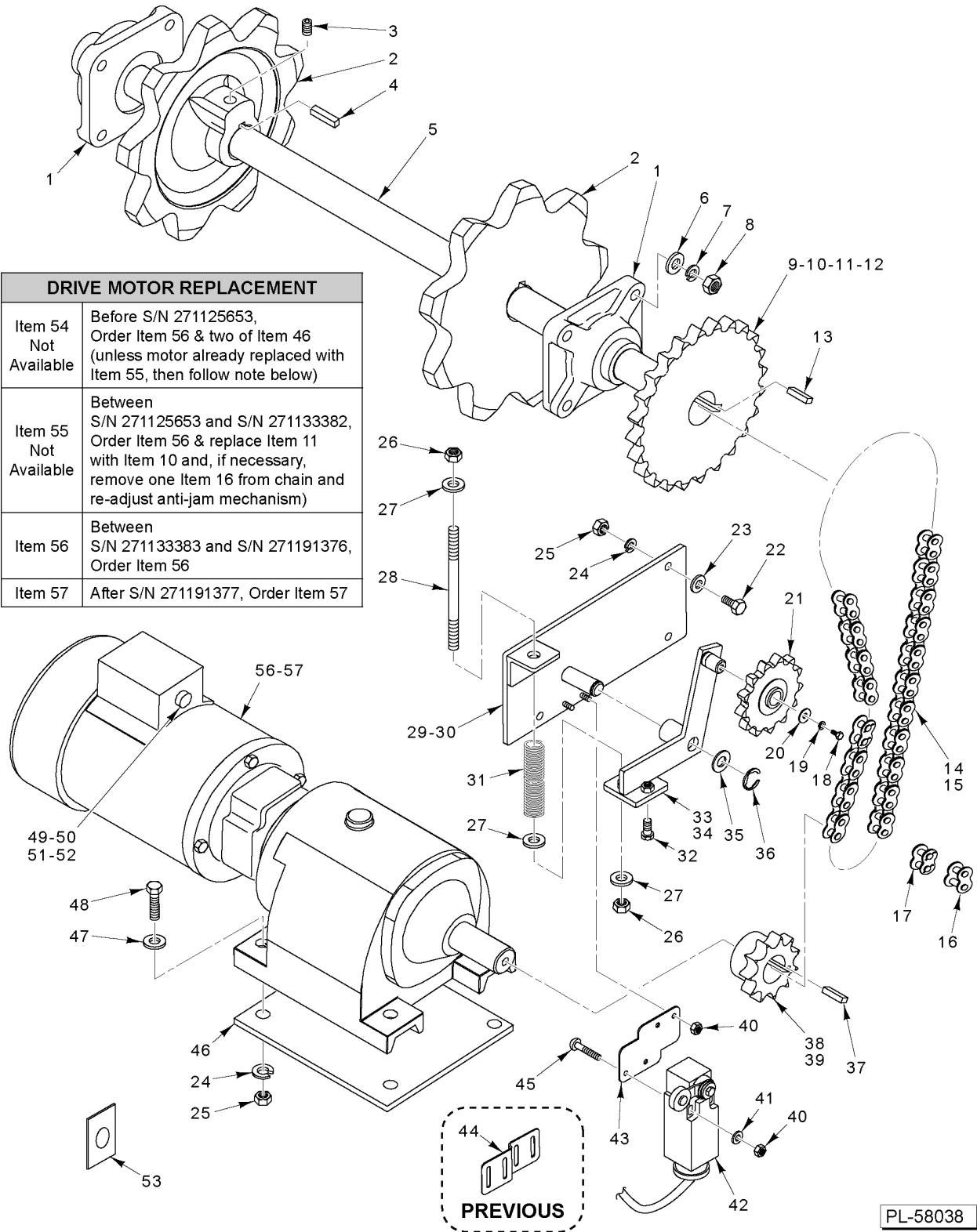
DRAIN WATER TEMPERING

DRAIN WATER TEMPERING

ILLUS. PL-60370	PART NO.	NAME OF PART	AMT.
1	SC-041-50	Cap Screw 1/4-20 x 1/2 Hex Hd. (SST).....	2
2	WL-003-36	Lockwasher 1/4 Light.....	2
3	NS-015-01	Nut 1/4-20 Hex (SST).....	2
4	00-542337	Clamp - Hose.....	2
5	00-814690	Box - Control.....	1
6	00-814673	Cable - Control.....	1
7	00-814666	Cable - Solenoid Valve.....	1
8	00-814665	Harness - Thermostat.....	1
9	00-814663-00003	Wire - Ground.....	1
10	00-274947	Grommet.....	1
11	00-294681-025-4	Thermostat - Drain (135 Deg.).....	1
12	00-814678	Plate - Base.....	1
13	00-294436-00003	Block - Fuse.....	1
14	FE-008-48	Fuse (250 V., 0.6 Amp.).....	1
15	00-919742-00003	Block - Terminal.....	1
16	SD-019-29	Self-Tapping Screw 6-20 x 1/2 Phil. Pan Hd., Type B.....	5
17	SD-008-25	Self-Tapping Screw 10-16 x 1/2 Phil. Pan Hd., Type B.....	1
18	00-814769-00001	Pipe Assy. (Cold Water).....	1
19	00-223472	Backflow Preventer.....	1
20	FP-040-42	Pipe 1/2 x 1-1/8 TBE (Brass).....	2
21	00-435968-00001	Valve - Solenoid (1/2 In.) (110-120 V.) (Incls. Item 22).....	1
22	00-271839-00001	Coil - Solenoid Valve.....	1
23	00-271837	Service Kit - Solenoid Valve.....	1
*24	00-270258	Strainer - Line (1/2) (Brass) (Kitz) (Incls. Items 25, 26, & 27) (Alternate to Item 29)	1
25	00-270259	Plug - Branch.....	1
26	00-270260	Screen - Strainer (1/2 In.).....	1
27	00-270261	Gasket.....	1
28	00-814768	Drain Pipe Assy.....	1
*29	00-892921	Strainer - Line (1/2) (Brass) (Conbraco) (Incls. Items 30, 31, & 32) (Alternate to Item 24).....	1
30	00-892922-00001	Cap.....	1
31	00-892922-00002	Gasket.....	1
32	00-892922-00003	Screen.....	1

* Kitz line strainer is approx. 0.43 inches longer than Conbraco.

DRIVE MOTOR REPLACEMENT	
Item 54 Not Available	Before S/N 271125653, Order Item 56 & two of Item 46 (unless motor already replaced with Item 55, then follow note below)
Item 55 Not Available	Between S/N 271125653 and S/N 271133382, Order Item 56 & replace Item 11 with Item 10 and, if necessary, remove one Item 16 from chain and re-adjust anti-jam mechanism)
Item 56	Between S/N 271133383 and S/N 271191376, Order Item 56
Item 57	After S/N 271191377, Order Item 57



CONVEYOR DRIVE UNIT

CONVEYOR DRIVE UNIT

ILLUS.	PART NO.	NAME OF PART	AMT.
PL-58038			
1	00-081656	Bearing - Flange.....	2
2	00-475502-00002	Sprocket - Conveyor (9 Tooth).....	2
3	SC-050-15	Set Screw 3/8-16 x 7/8 Oval. (SST).....	2
4	00-012430-00204	Key 1/4 x 1/4 x 1-3/4.....	2
5	00-475791	Shaft - Conveyor Unload.....	1
6	WS-006-44	Washer (SST).....	8
7	WL-006-28	Lockwasher 3/8 Helical.....	8
8	NS-015-13	Nut 3/8-16 Hex (SST).....	8
9	SC-048-22	Set Screw 3/8-16 x 3/4 Square Hd. (Used With Item 10).....	1
10	00-062771	Sprocket - Driven (24T) (Before S/N 271125653).....	1
11	00-892974	Sprocket - Driven (25T) (S/N 271125653 to S/N 271133382).....	1
12	00-893182	Sprocket - Driven (26T) (Starting S/N 271133383).....	1
13	00-012430-00148	Key.....	1
14	00-062804-00007	Chain - #60 Roller Conveyor (Before S/N 271133383).....	1
15	00-062804-00008	Chain - #60 Roller Conveyor (Starting S/N 271133383).....	1
16	00-062805	Link - Offset.....	1
17	00-062803	Link - Connecting.....	1
18	SC-041-50	Cap Screw 1/4-20 x 1/2 Hex Hd. (SST).....	1
19	WL-013-14	Lockwasher 1/4 Internal Shakeproof.....	1
20	WS-003-47	Washer (SST).....	1
21	00-475774	Sprocket - Idler.....	1
22	SC-041-12	Cap Screw 5/16-18 x 7/8 Hex Hd. (SST).....	4
23	WS-017-08	Washer (0.328 x 0.625 x 0.062) (SST).....	1
24	WL-006-23	Lockwasher 5/16 Helical (SST).....	8
25	NS-015-11	Nut 5/16-18 Hex (SST).....	8
26	NS-031-33	Stop Nut 3/8-16 Elastic.....	2
27	WS-006-44	Washer (SST).....	3
28	00-476705	Bolt - Adjuster.....	1
29	00-475773-00001	Plate - Anti-Jam (R-L).....	1
30	00-475773-00002	Plate - Anti-Jam (L-R).....	1
31	00-476707	Spring.....	1
32	00-892483	Cap & Stud Assy.....	1
33	00-892543-00001	Bellcrank - Anti-Jam (R-L).....	1
34	00-892543-00002	Bellcrank - Anti-Jam (L-R).....	1
35	WS-010-26	Washer (SST).....	1
36	RR-012-04	Retaining Ring.....	1
37	00-476706	Key - Motor.....	1
38	00-476528	Sprocket - Roller Chain (11T) (Before S/N 271133383).....	1
39	00-893241	Sprocket - Roller Chain (12T) (Starting S/N 271133383).....	1
40	NS-031-08	Stop Nut 8-32 Special (SST).....	4
41	WS-028-21	Washer (SST).....	2
42	00-475560	Switch - Anti-Jam.....	1
43	00-892484	Bracket - Switch (Anti-Jam) (Current Construction).....	1
44	00-475817	Bracket - Switch (Anti-Jam) (Previous Construction).....	1
45	SC-120-31	Mach. Screw 8-32 x 1-5/8 Pan Hd.....	2
46	00-892973	Spacer - Drive Motor (S/N 271125653 to S/N 271138903).....	1
47	WS-017-01	Washer 0.328 x 0.875 x 0.062 (SST).....	4
48	SC-041-21	Cap Screw 5/16-18 x 2-1/4 Hex Hd. (SST).....	4
49	00-476742-00001	Cable Assy. - Conveyor Motor (5 & 7 Ft. Unload).....	1
50	00-476742-00006	Cable Assy. - Conveyor Motor (9 & 11 Ft. Unload).....	1
51	00-476745-00013	Cable Assy. - Conveyor Jam Switch (5 & 7 Ft. Unload).....	1
52	00-476745-00016	Cable Assy. - Conveyor Jam Switch (9 & 11 Ft. Unload).....	1
53	0F-044114	Label - Conveyor Jog.....	1
54		Motor - Conveyor Drive (Before S/N 271125653) (Order Items 46 & 56).....	1
55		Motor - Conveyor Drive (S/N 271125653 to S/N 271133382) (Order Items 10 & 56).....	1
56	00-892848-00001	Motor - Conveyor Drive (S/N 271133383 to S/N 271191376).....	1
57	00-892848-00002	Motor - Conveyor Drive (Starting S/N 271191376).....	1

Item Number	Description
1	FT914S Conveyor - Type A, Complete
2	FT915S Conveyor - Type A, Complete
3	FT916S Conveyor - Type A, Complete
4	FT917S Conveyor - Type A, Complete
5	FT918 Conveyor - Type A, Complete
6	FT919 Conveyor - Type A, Complete
7	FT920 Conveyor - Type A, Complete
8	FT921 Conveyor - Type A, Complete
9	FT922 Conveyor - Type A, Complete
10	FT923 Conveyor - Type A, Complete
11	FT924 Conveyor - Type A, Complete
12	FT925 Conveyor - Type A, Complete
13	FT926 Conveyor - Type A, Complete
14	FT927 Conveyor - Type A, Complete
15	FT928 Conveyor - Type A, Complete
16	FT929 Conveyor - Type A, Complete
17	FT930 Conveyor - Type A, Complete
18	FT931 Conveyor - Type A, Complete
19	FT932 Conveyor - Type A, Complete
20	FT933 Conveyor - Type A, Complete
21	FT934 Conveyor - Type A, Complete
22	FT935 Conveyor - Type A, Complete
23	FT936 Conveyor - Type A, Complete
24	FT937 Conveyor - Type A, Complete
25	FT938 Conveyor - Type A, Complete
26	FT939 Conveyor - Type A, Complete
27	FT940 Conveyor - Type A, Complete
28	FT941 Conveyor - Type A, Complete
29	FT942 Conveyor - Type A, Complete

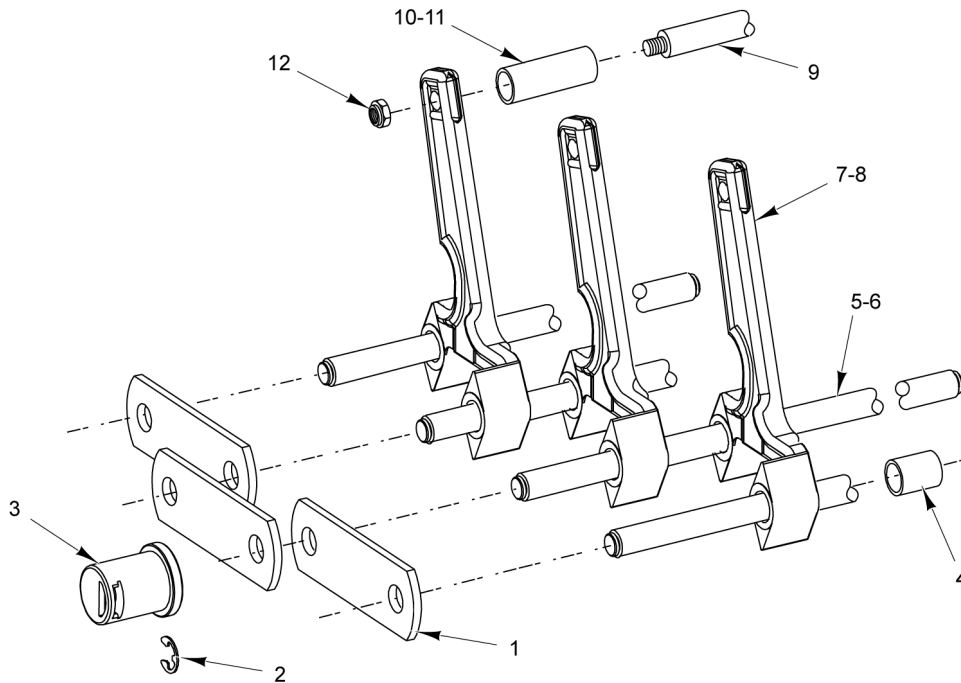
**NOTE: The 2 digits after the 9 refer to the length of the machine.
For example 914 is a 14 foot dishwasher.**

PL-60468

**CONVEYOR
(TYPE A)
(COMPLETE ASSEMBLY)**

**CONVEYOR
(TYPE A)
(COMPLETE ASSEMBLY)**

ILLUS. PL-60468	PART NO.	NAME OF PART	AMT.
1	00-748407-00002	FT914S Conveyor - Type A, Complete.....	1
2	00-748407-00003	FT915S Conveyor - Type A, Complete.....	1
3	00-748407-00004	FT916S Conveyor - Type A, Complete.....	1
4	00-748407-00005	FT917S Conveyor - Type A, Complete.....	1
5	00-748407-00006	FT918 Conveyor - Type A, Complete.....	1
6	00-748407-00007	FT919 Conveyor - Type A, Complete.....	1
7	00-748407-00008	FT920 Conveyor - Type A, Complete.....	1
8	00-748407-00009	FT921 Conveyor - Type A, Complete.....	1
9	00-748407-00010	FT922 Conveyor - Type A, Complete.....	1
10	00-748407-00011	FT923 Conveyor - Type A, Complete.....	1
11	00-748407-00012	FT924 Conveyor - Type A, Complete.....	1
12	00-748407-00013	FT925 Conveyor - Type A, Complete.....	1
13	00-748407-00014	FT926 Conveyor - Type A, Complete.....	1
14	00-748407-00015	FT927 Conveyor - Type A, Complete.....	1
15	00-748407-00016	FT928 Conveyor - Type A, Complete.....	1
16	00-748407-00017	FT929 Conveyor - Type A, Complete.....	1
17	00-748407-00018	FT930 Conveyor - Type A, Complete.....	1
18	00-748407-00019	FT931 Conveyor - Type A, Complete.....	1
19	00-748407-00020	FT932 Conveyor - Type A, Complete.....	1
20	00-748407-00021	FT933 Conveyor - Type A, Complete.....	1
21	00-748407-00022	FT934 Conveyor - Type A, Complete.....	1
22	00-748407-00023	FT935 Conveyor - Type A, Complete.....	1
23	00-748407-00024	FT936 Conveyor - Type A, Complete.....	1
24	00-748407-00025	FT937 Conveyor - Type A, Complete.....	1
25	00-748407-00026	FT938 Conveyor - Type A, Complete.....	1
26	00-748407-00027	FT939 Conveyor - Type A, Complete.....	1
27	00-748407-00028	FT940 Conveyor - Type A, Complete.....	1
28	00-748407-00029	FT941 Conveyor - Type A, Complete.....	1



PL-55242

MODEL MACHINE	ITEM No. (Individual Parts)				ITEM No. (Service Kits)		
	1, 2, 3, & 4	5 & 6	7 & 8	9, 10, 11, & 12	13	14	15
	AMT.				AMT.		
FT914S	270	135	2295	AR	1	1	2
FT915S	294	147	2499	AR	2	1	2
FT916S	312	156	2652	AR	-	-	3
FT917S	336	168	2856	AR	2	2	2
FT918	354	177	3009	AR	-	1	3
FT919	372	186	3162	AR	1	1	3
FT920	396	198	3366	AR	-	2	3
FT921	414	207	3519	AR	-	-	4
FT922	438	219	3723	AR	1	-	4
FT923	456	228	3876	AR	-	1	4
FT924	480	240	4080	AR	1	1	4
FT925	498	249	4233	AR	-	2	4
FT926	522	261	4437	AR	1	2	4
FT927	540	270	4590	AR	1	-	5
FT928	564	282	4794	AR	2	-	5
FT929	582	291	4947	AR	1	1	5
FT930	600	300	5100	AR	-	2	5
FT931	624	312	5304	AR	-	-	6
FT932	642	321	5457	AR	1	-	6
FT933	666	333	5661	AR	-	1	6
FT934	684	342	5814	AR	1	1	6
FT935	708	354	6018	AR	-	2	6
FT936	726	363	6171	AR	-	-	7
FT937	750	375	6375	AR	1	-	7
FT938	768	384	6528	AR	-	1	7
FT939	792	396	6732	AR	1	1	7
FT940	810	405	6885	AR	-	2	7
FT941	828	414	7038	AR	-	-	8
FT942	852	426	7242	AR	1	-	8

NOTE: The 2 digits after the 9 refer to the length of the machine. For example 914 is a 14 foot dishwasher.

**CONVEYOR
(TYPE A)
(17 FLIGHT LINKS PER ROD)**

**CONVEYOR
(TYPE A)
(17 FLIGHT LINKS PER ROD)**

ILLUS.	PART NO.	NAME OF PART	AMT.
PL-55242			
*1	00-289374	Bar - Side Conveyor.....	AR
*2	RR-006-23	Retaining Ring.....	AR
*3	00-749952	Roller - Conveyor (White Plastic).....	AR
*4	00-158677	Spacer - Conveyor.....	AR
*5	00-892584-00001	Rod - Conveyor.....	AR
*6	00-892584-00002	Rod - Conveyor (Correctional).....	AR
*7	00-081808	Link - Flight.....	AR
*8	00-291842-00005	Link - Flight (Snap-On).....	AR
*9	00-748067-00001	Rod - Conveyor (Cross Rod, 23-3/8).....	AR
*10	00-083367	Spacer - Conveyor (1-1/8 In.).....	AR
*11	00-083367-00002	Spacer - Conveyor (1-3/4 In.).....	AR
*12	NS-031-21	Stop Nut 1/4-20 Hex (SST).....	AR

* (See chart on graphic for quantity.)

Item Number	Description
1	FT914S Conveyor - Type AA, Complete
2	FT915S Conveyor - Type AA, Complete
3	FT916S Conveyor - Type AA, Complete
4	FT917S Conveyor - Type AA, Complete
5	FT918 Conveyor - Type AA, Complete
6	FT919 Conveyor - Type AA, Complete
7	FT920 Conveyor - Type AA, Complete
8	FT921 Conveyor - Type AA, Complete
9	FT922 Conveyor - Type AA, Complete
10	FT923 Conveyor - Type AA, Complete
11	FT924 Conveyor - Type AA, Complete
12	FT925 Conveyor - Type AA, Complete
13	FT926 Conveyor - Type AA, Complete
14	FT927 Conveyor - Type AA, Complete
15	FT928 Conveyor - Type AA, Complete
16	FT929 Conveyor - Type AA, Complete
17	FT930 Conveyor - Type AA, Complete
18	FT931 Conveyor - Type AA, Complete
19	FT932 Conveyor - Type AA, Complete
20	FT933 Conveyor - Type AA, Complete
21	FT934 Conveyor - Type AA, Complete
22	FT935 Conveyor - Type AA, Complete
23	FT936 Conveyor - Type AA, Complete
24	FT937 Conveyor - Type AA, Complete
25	FT938 Conveyor - Type AA, Complete
26	FT939 Conveyor - Type AA, Complete
27	FT940 Conveyor - Type AA, Complete
28	FT941 Conveyor - Type AA, Complete
29	FT942 Conveyor - Type AA, Complete

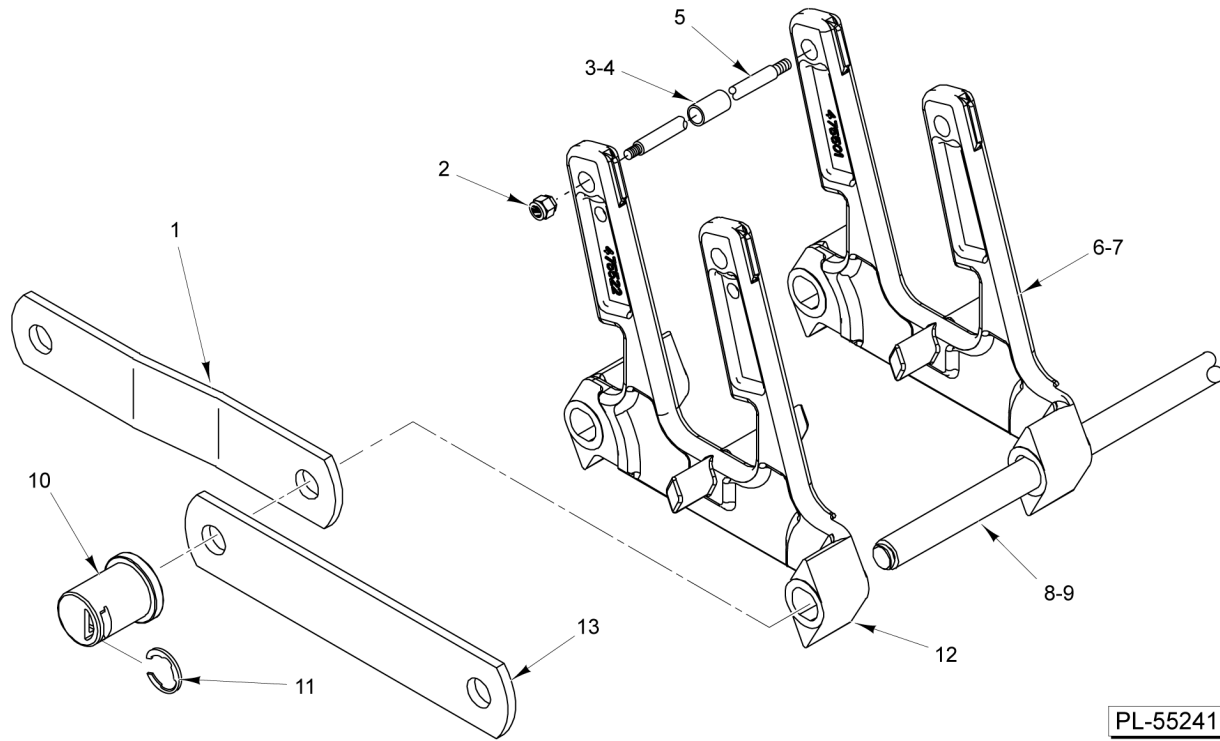
**NOTE: The 2 digits after the 9 refer to the length of the machine.
For example 914 is a 14 foot dishwasher.**

PL-60466

**CONVEYOR
(TYPE AA)
(COMPLETE ASSEMBLY)
(PREVIOUS CONSTRUCTION)**

**CONVEYOR
(TYPE AA)
(COMPLETE ASSEMBLY)
(PREVIOUS CONSTRUCTION)**

ILLUS. PL-60466	PART NO.	NAME OF PART	AMT.
1	00-748274-00002	FT914S Conveyor - Type AA, Complete.....	1
2	00-748274-00003	FT915S Conveyor - Type AA, Complete.....	1
3	00-748274-00004	FT916S Conveyor - Type AA, Complete.....	1
4	00-748274-00005	FT917S Conveyor - Type AA, Complete.....	1
5	00-748274-00006	FT918 Conveyor - Type AA, Complete.....	1
6	00-748274-00007	FT919 Conveyor - Type AA, Complete.....	1
7	00-748274-00008	FT920 Conveyor - Type AA, Complete.....	1
8	00-748274-00009	FT921 Conveyor - Type AA, Complete.....	1
9	00-748274-00010	FT922 Conveyor - Type AA, Complete.....	1
10	00-748274-00011	FT923 Conveyor - Type AA, Complete.....	1
11	00-748274-00012	FT924 Conveyor - Type AA, Complete.....	1
12	00-748274-00013	FT925 Conveyor - Type AA, Complete.....	1
13	00-748274-00014	FT926 Conveyor - Type AA, Complete.....	1
14	00-748274-00015	FT927 Conveyor - Type AA, Complete.....	1
15	00-748274-00016	FT928 Conveyor - Type AA, Complete.....	1
16	00-748274-00017	FT929 Conveyor - Type AA, Complete.....	1
17	00-748274-00018	FT930 Conveyor - Type AA, Complete.....	1
18	00-748274-00019	FT931 Conveyor - Type AA, Complete.....	1
19	00-748274-00020	FT932 Conveyor - Type AA, Complete.....	1
20	00-748274-00021	FT933 Conveyor - Type AA, Complete.....	1
21	00-748274-00022	FT934 Conveyor - Type AA, Complete.....	1
22	00-748274-00023	FT935 Conveyor - Type AA, Complete.....	1
23	00-748274-00024	FT936 Conveyor - Type AA, Complete.....	1
24	00-748274-00025	FT937 Conveyor - Type AA, Complete.....	1
25	00-748274-00026	FT938 Conveyor - Type AA, Complete.....	1
26	00-748274-00027	FT939 Conveyor - Type AA, Complete.....	1
27	00-748274-00028	FT940 Conveyor - Type AA, Complete.....	1
28	00-748274-00029	FT941 Conveyor - Type AA, Complete.....	1
29	00-748274-00030	FT942 Conveyor - Type AA, Complete.....	1



PL-55241

MODEL MACHINE	ITEM No. (Individual Parts)								ITEM No. (Service Kits)		
	1	2	3 & 4	5	6 & 7	8 & 9	10 & 11	12 & 13	14	15	16
	AMT.								AMT.		
FT914S	2	74	518	37	1110	74	148	146	1	2	2
FT915S	2	78	546	39	1185	79	158	156	1	-	3
FT916S	2	80	560	40	1260	84	168	166	2	-	3
FT917S	2	84	588	42	1350	90	180	178	-	2	3
FT918	2	96	672	48	1425	95	190	188	-	-	4
FT919	2	100	700	50	1500	100	200	198	1	-	4
FT920	2	106	742	53	1590	106	212	210	-	1	4
FT921	2	112	784	56	1665	111	222	220	1	1	4
FT922	2	116	812	58	1740	116	232	230	-	2	4
FT923	2	122	854	61	1830	122	244	242	1	2	4
FT924	2	128	896	64	1905	127	254	252	1	-	5
FT925	2	132	924	66	1980	132	264	262	2	-	5
FT926	2	138	966	69	2070	138	276	274	-	2	5
FT927	2	144	1008	72	2145	143	284	282	-	-	6
FT928	2	148	1036	74	2235	149	298	296	1	-	6
FT929	2	154	1078	77	2325	155	310	308	2	-	6
FT930	2	160	1120	80	2400	160	320	318	1	1	6
FT931	2	164	1148	82	2490	166	332	330	-	-	7
FT932	2	170	1190	85	2565	171	342	340	1	2	6
FT933	2	176	1232	88	2655	177	354	352	-	1	7
FT934	2	180	1260	90	2730	182	364	362	2	-	7
FT935	2	186	1302	93	2820	188	376	374	-	2	7
FT936	2	192	1344	96	2895	193	386	384	1	2	7
FT937	2	196	1372	98	2985	199	398	396	1	-	8
FT938	2	202	1414	101	3060	204	408	406	2	-	8
FT939	2	208	1456	104	3150	210	420	418	-	2	8
FT940	2	212	1484	106	3225	215	430	428	-	-	9
FT941	2	218	1526	109	3315	221	442	440	1	-	9
FT942	2	220	1540	110	3405	227	454	452	1	-	9

NOTE: The 2 digits after the 9 refer to the length of the machine. For example 914 is a 14 foot dishwasher.

**CONVEYOR
(TYPE AA)
(17 FLIGHT LINKS PER ROD)
(PREVIOUS CONSTRUCTION)**

**CONVEYOR
(TYPE AA)
(17 FLIGHT LINKS PER ROD)
(PREVIOUS CONSTRUCTION)**

ILLUS. PL-55241	PART NO.	NAME OF PART	AMT.
*1	00-475511	Bar - Side (Offset).....	AR
*2	NS-031-21	Stop Nut 1/4-20 Hex (SST).....	AR
*3	00-083367	Spacer - Conveyor (1-1/8 In.).....	AR
*4	00-083367-00002	Spacer - Conveyor (1-3/4 In.).....	AR
*5	00-748067-00001	Rod - Conveyor (Cross Rod, 23-3/8).....	AR
*6	00-475501	Link - Flight (Double).....	AR
*7	00-475501-00002	Link - Flight (Snap-On) (Double).....	AR
*8	00-892584-00001	Rod - Conveyor.....	AR
*9	00-892584-00002	Rod - Conveyor (Correctional).....	AR
*10	00-749952	Roller - Conveyor (White Plastic).....	AR
*11	RR-006-23	Retaining Ring.....	AR
*12	00-475522	Link - Flight (Double Extended).....	AR
*13	00-475510	Bar - Side.....	AR

* (See chart on graphic for quantity.)

Item Number	Description
1	FT914S Conveyor - Type BB, Complete
2	FT915S Conveyor - Type BB, Complete
3	FT916S Conveyor - Type BB, Complete
4	FT917S Conveyor - Type BB, Complete
5	FT918 Conveyor - Type BB, Complete
6	FT919 Conveyor - Type BB, Complete
7	FT920 Conveyor - Type BB, Complete
8	FT921 Conveyor - Type BB, Complete
9	FT922 Conveyor - Type BB, Complete
10	FT923 Conveyor - Type BB, Complete
11	FT924 Conveyor - Type BB, Complete
12	FT925 Conveyor - Type BB, Complete
13	FT926 Conveyor - Type BB, Complete
14	FT927 Conveyor - Type BB, Complete
15	FT928 Conveyor - Type BB, Complete
16	FT929 Conveyor - Type BB, Complete
17	FT930 Conveyor - Type BB, Complete
18	FT931 Conveyor - Type BB, Complete
19	FT932 Conveyor - Type BB, Complete
20	FT933 Conveyor - Type BB, Complete
21	FT934 Conveyor - Type BB, Complete
22	FT935 Conveyor - Type BB, Complete
23	FT936 Conveyor - Type BB, Complete
24	FT937 Conveyor - Type BB, Complete
25	FT938 Conveyor - Type BB, Complete
26	FT939 Conveyor - Type BB, Complete
27	FT940 Conveyor - Type BB, Complete
28	FT941 Conveyor - Type BB, Complete
29	FT942 Conveyor - Type BB, Complete

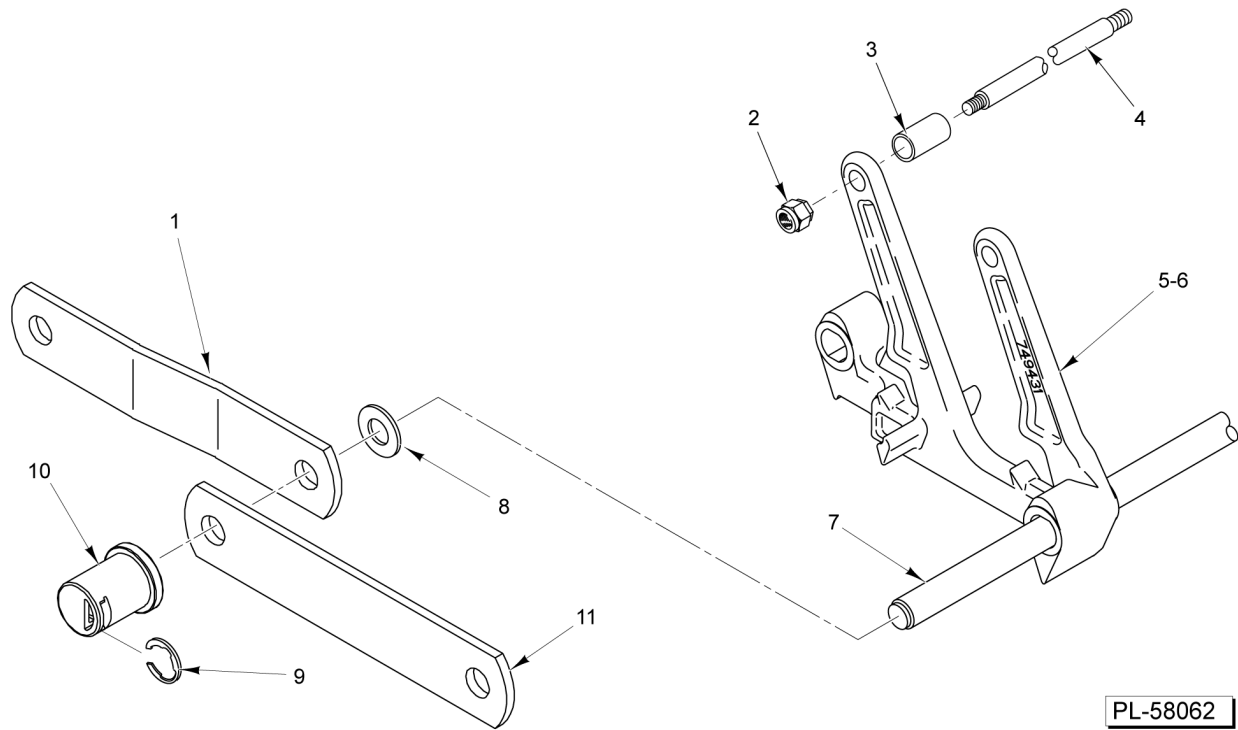
**NOTE: The 2 digits after the 9 refer to the length of the machine.
For example 914 is a 14 foot dishwasher.**

PL-60467

**CONVEYOR
(TYPE BB)
(COMPLETE ASSEMBLY)**

**CONVEYOR
(TYPE BB)
(COMPLETE ASSEMBLY)**

ILLUS. PL-60467	PART NO.	NAME OF PART	AMT.
1	00-892566-00002	FT914S Conveyor - Type BB, Complete.....	1
2	00-892566-00003	FT915S Conveyor - Type BB, Complete.....	1
3	00-892566-00004	FT916S Conveyor - Type BB, Complete.....	1
4	00-892566-00005	FT917S Conveyor - Type BB, Complete.....	1
5	00-892566-00006	FT918 Conveyor - Type BB, Complete.....	1
6	00-892566-00007	FT919 Conveyor - Type BB, Complete.....	1
7	00-892566-00008	FT920 Conveyor - Type BB, Complete.....	1
8	00-892566-00009	FT921 Conveyor - Type BB, Complete.....	1
9	00-892566-00010	FT922 Conveyor - Type BB, Complete.....	1
10	00-892566-00011	FT923 Conveyor - Type BB, Complete.....	1
11	00-892566-00012	FT924 Conveyor - Type BB, Complete.....	1
12	00-892566-00013	FT925 Conveyor - Type BB, Complete.....	1
13	00-892566-00014	FT926 Conveyor - Type BB, Complete.....	1
14	00-892566-00015	FT927 Conveyor - Type BB, Complete.....	1
15	00-892566-00016	FT928 Conveyor - Type BB, Complete.....	1
16	00-892566-00017	FT929 Conveyor - Type BB, Complete.....	1
17	00-892566-00018	FT930 Conveyor - Type BB, Complete.....	1
18	00-892566-00019	FT931 Conveyor - Type BB, Complete.....	1
19	00-892566-00020	FT932 Conveyor - Type BB, Complete.....	1
20	00-892566-00021	FT933 Conveyor - Type BB, Complete.....	1
21	00-892566-00022	FT934 Conveyor - Type BB, Complete.....	1
22	00-892566-00023	FT935 Conveyor - Type BB, Complete.....	1
23	00-892566-00024	FT936 Conveyor - Type BB, Complete.....	1
25	00-892566-00025	FT937 Conveyor - Type BB, Complete.....	1
25	00-892566-00026	FT938 Conveyor - Type BB, Complete.....	1
26	00-892566-00027	FT939 Conveyor - Type BB, Complete.....	1
27	00-892566-00028	FT940 Conveyor - Type BB, Complete.....	1
28	00-892566-00029	FT941 Conveyor - Type BB, Complete.....	1
29	00-892566-00030	FT942 Conveyor - Type BB, Complete.....	1



PL-58062

MODEL MACHINE	ITEM No. (Individual Parts)									ITEM No. (Service Kits)		
	1	2	3	4	5 & 6	7	8, 9, & 10	11	12	13	14	
	AMT.									AMT.		
FT914S	0	74	518	37	1258	74	148	148	-	2	2	
FT915S	2	78	546	39	1343	79	158	156	-	-	3	
FT916S	0	80	560	40	1428	84	168	168	-	-	3	
FT917S	0	84	588	42	1530	90	180	180	2	-	3	
FT918	2	96	672	48	1615	95	190	188	-	1	3	
FT919	0	100	700	50	1700	100	200	200	2	1	3	
FT920	0	106	742	53	1802	106	212	212	-	2	3	
FT921	2	112	784	56	1887	111	222	220	-	-	4	
FT922	0	116	812	58	1972	116	232	232	1	-	4	
FT923	0	122	854	61	2074	122	244	244	-	1	4	
FT924	2	128	896	64	2159	127	254	252	1	1	4	
FT925	0	132	924	66	2244	132	264	264	-	2	4	
FT926	0	138	966	69	2346	138	276	276	-	-	5	
FT927	2	144	1008	72	2431	143	284	284	1	-	5	
FT928	2	148	1036	74	2533	149	298	296	-	1	5	
FT929	2	154	1078	77	2635	155	310	308	1	1	5	
FT930	0	160	1120	80	2720	160	320	320	-	2	5	
FT931	0	164	1148	82	2822	166	332	332	-	-	6	
FT932	2	170	1190	85	2907	171	342	340	1	-	6	
FT933	2	176	1232	88	3009	177	354	352	-	1	6	
FT934	0	180	1260	90	3094	182	364	364	1	1	6	
FT935	0	186	1302	93	3196	188	376	376	-	2	6	
FT936	2	192	1344	96	3281	193	386	384	1	2	6	
FT937	2	196	1372	98	3383	199	398	396	1	-	7	
FT938	0	202	1414	101	3468	204	408	408	2	-	7	
FT939	0	208	1456	104	3570	210	420	420	1	1	7	
FT940	2	212	1484	106	3655	215	430	428	2	1	7	
FT941	2	218	1526	109	3757	221	442	440	-	-	8	
FT942	2	220	1540	110	3859	227	454	452	1	-	8	

NOTE: The 2 digits after the 9 refer to the length of the machine. For example 914 is a 14 foot dishwasher.

**CONVEYOR
(TYPE BB)
(17 FLIGHT LINKS PER ROD)**

**CONVEYOR
(TYPE BB)
(17 FLIGHT LINKS PER ROD)**

ILLUS.	PART NO.	NAME OF PART	AMT.
PL-58062			
*1	00-475511	Bar - Side (Offset).....	AR
*2	NS-031-21	Stop Nut 1/4-20 Hex (SST).....	AR
*3	00-083367	Spacer - Conveyor (1-1/8 In.).....	AR
*4	00-748067-00001	Rod - Conveyor (Cross Rod, 23-3/8).....	AR
*5	00-749431	Link - Flight (Double).....	AR
*6	00-749431-00002	Link - Flight (Double) (Snap-On).....	AR
*7	00-892584-00001	Rod - Conveyor.....	AR
*8	WS-018-40	Washer (SST).....	AR
*9	RR-006-23	Retaining Ring.....	AR
*10	00-749952	Roller - Conveyor (White Plastic).....	AR
*11	00-475510	Bar - Side.....	AR

* (See chart on graphic for quantity.)

Item Number	Description
1	FT914S Conveyor - Oval Trays, Complete
2	FT915S Conveyor - Oval Trays, Complete
3	FT916S Conveyor - Oval Trays, Complete
4	FT917S Conveyor - Oval Trays, Complete
5	FT918 Conveyor - Oval Trays, Complete
6	FT919 Conveyor - Oval Trays, Complete
7	FT920 Conveyor - Oval Trays, Complete
8	FT921 Conveyor - Oval Trays, Complete
9	FT922 Conveyor - Oval Trays, Complete
10	FT923 Conveyor - Oval Trays, Complete
11	FT924 Conveyor - Oval Trays, Complete
12	FT925 Conveyor - Oval Trays, Complete
13	FT926 Conveyor - Oval Trays, Complete
14	FT927 Conveyor - Oval Trays, Complete
15	FT928 Conveyor - Oval Trays, Complete
16	FT929 Conveyor - Oval Trays, Complete
17	FT930 Conveyor - Oval Trays, Complete
18	FT931 Conveyor - Oval Trays, Complete
19	FT932 Conveyor - Oval Trays, Complete
20	FT933 Conveyor - Oval Trays, Complete
21	FT934 Conveyor - Oval Trays, Complete
22	FT935 Conveyor - Oval Trays, Complete
23	FT936 Conveyor - Oval Trays, Complete
24	FT937 Conveyor - Oval Trays, Complete
25	FT938 Conveyor - Oval Trays, Complete
26	FT939 Conveyor - Oval Trays, Complete
27	FT940 Conveyor - Oval Trays, Complete
28	FT941 Conveyor - Oval Trays, Complete
29	FT942 Conveyor - Oval Trays, Complete

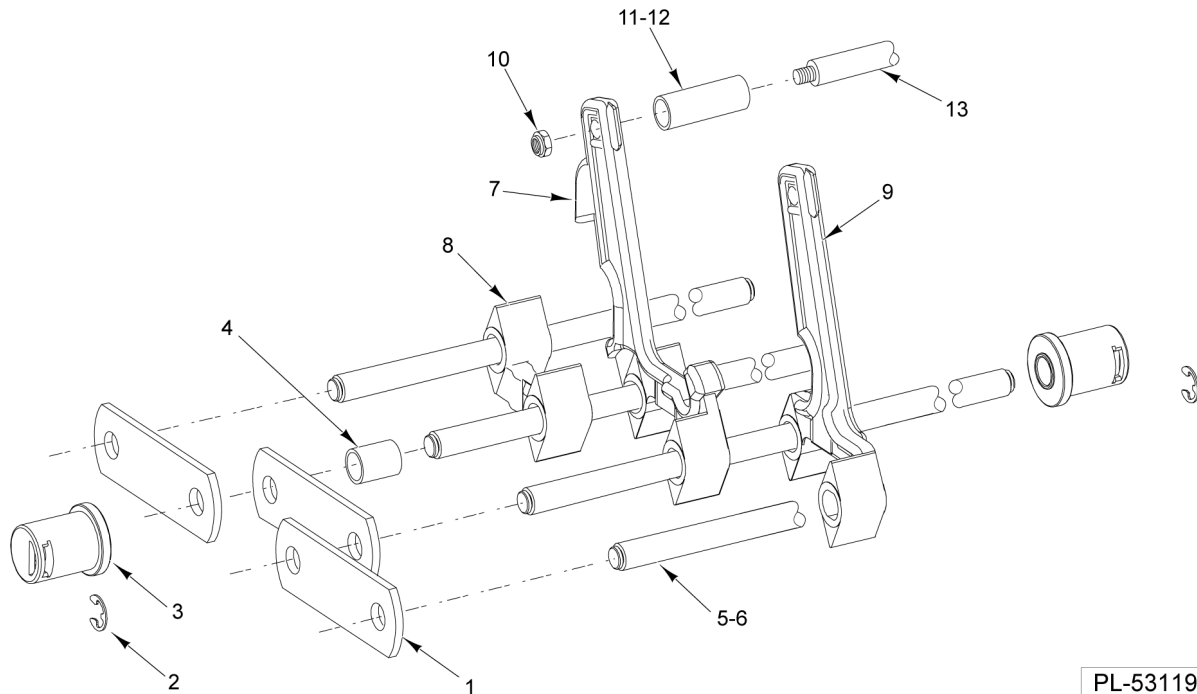
**NOTE: The 2 digits after the 9 refer to the length of the machine.
For example 914 is a 14 foot dishwasher.**

PL-60469

**CONVEYOR
(OVAL TRAYS)
(COMPLETE ASSEMBLY)
(PREVIOUS CONSTRUCTION)**

**CONVEYOR
(OVAL TRAYS)
(COMPLETE ASSEMBLY)
(PREVIOUS CONSTRUCTION)**

ILLUS. PL-60469	PART NO.	NAME OF PART	AMT.
1	00-748522-00002	FT914S Conveyor - Oval Tray, Complete.....	1
2	00-748522-00003	FT915S Conveyor - Oval Tray, Complete.....	1
3	00-748522-00004	FT916S Conveyor - Oval Tray, Complete.....	1
4	00-748522-00005	FT917S Conveyor - Oval Tray, Complete.....	1
5	00-748522-00006	FT918 Conveyor - Oval Tray, Complete.....	1
6	00-748522-00007	FT919 Conveyor - Oval Tray, Complete.....	1
7	00-748522-00008	FT920 Conveyor - Oval Tray, Complete.....	1
8	00-748522-00009	FT921 Conveyor - Oval Tray, Complete.....	1
9	00-748522-00010	FT922 Conveyor - Oval Tray, Complete.....	1
10	00-748522-00011	FT923 Conveyor - Oval Tray, Complete.....	1
11	00-748522-00012	FT924 Conveyor - Oval Tray, Complete.....	1
12	00-748522-00013	FT925 Conveyor - Oval Tray, Complete.....	1
13	00-748522-00014	FT926 Conveyor - Oval Tray, Complete.....	1
14	00-748522-00015	FT927 Conveyor - Oval Tray, Complete.....	1
15	00-748522-00016	FT928 Conveyor - Oval Tray, Complete.....	1
16	00-748522-00017	FT929 Conveyor - Oval Tray, Complete.....	1
17	00-748522-00018	FT930 Conveyor - Oval Tray, Complete.....	1
18	00-748522-00019	FT931 Conveyor - Oval Tray, Complete.....	1
19	00-748522-00020	FT932 Conveyor - Oval Tray, Complete.....	1
20	00-748522-00021	FT933 Conveyor - Oval Tray, Complete.....	1
21	00-748522-00022	FT934 Conveyor - Oval Tray, Complete.....	1
22	00-748522-00023	FT935 Conveyor - Oval Tray, Complete.....	1
23	00-748522-00024	FT936 Conveyor - Oval Tray, Complete.....	1
24	00-748522-00025	FT937 Conveyor - Oval Tray, Complete.....	1
25	00-748522-00026	FT938 Conveyor - Oval Tray, Complete.....	1
26	00-748522-00027	FT939 Conveyor - Oval Tray, Complete.....	1
27	00-748522-00028	FT940 Conveyor - Oval Tray, Complete.....	1
28	00-748522-00029	FT941 Conveyor - Oval Tray, Complete.....	1
29	00-748522-00030	FT942 Conveyor - Oval Tray, Complete.....	1



PL-53119

MODEL MACHINE	ITEM No. (Individual Parts)					ITEM No. (Service Kits)		
	1, 2, 3, & 4	5 & 6	7 & 8	9	10, 11, 12, & 13	14	15	16
	AMT.					AMT.		
FT914S	270	135	459	1377	AR	-	2	2
FT915S	290	145	493	1479	AR	-	-	3
FT916S	320	160	544	1632	AR	2	-	3
FT917S	340	170	578	1734	AR	-	1	3
FT918	360	180	612	1836	AR	2	1	3
FT919	380	190	656	1938	AR	-	2	3
FT920	400	200	680	2040	AR	-	-	4
FT921	420	210	714	2142	AR	2	-	4
FT922	440	220	748	2244	AR	-	1	4
FT923	460	230	782	2346	AR	2	1	4
FT924	480	240	816	2448	AR	-	2	4
FT925	500	250	850	2550	AR	-	-	5
FT926	520	260	884	2652	AR	3	-	5
FT927	540	270	918	2754	AR	-	1	5
FT928	560	280	952	2856	AR	3	1	5
FT929	580	290	986	2958	AR	1	2	5
FT930	610	305	1037	3111	AR	-	-	6
FT931	630	315	1071	3213	AR	3	-	6
FT932	650	325	1105	3315	AR	1	1	6
FT933	670	335	1139	3417	AR	3	1	6
FT934	690	345	1173	3519	AR	1	2	6
FT935	710	355	1207	3621	AR	1	-	7
FT936	730	365	1241	3723	AR	3	-	7
FT937	750	375	1275	3825	AR	1	1	7
FT938	770	385	1309	3927	AR	3	1	7
FT939	790	395	1343	4029	AR	-	-	8
FT940	810	405	1377	4131	AR	1	-	8
FT941	830	415	1411	4233	AR	3	-	8
FT942	850	425	1445	4335	AR	2	1	8

NOTE: The 2 digits after the 9 refer to the length of the machine. For example 914 is a 14 foot dishwasher.

**CONVEYOR
(OVAL TRAYS)
(17 FLIGHT LINKS PER ROD)
(PREVIOUS CONSTRUCTION)**

**CONVEYOR
(OVAL TRAYS)
(17 FLIGHT LINKS PER ROD)
(PREVIOUS CONSTRUCTION)**

ILLUS. PL-53119	PART NO.	NAME OF PART	AMT.
*1	00-289374	Bar - Side Conveyor.....	AR
*2	RR-006-23	Retaining Ring.....	AR
*3	00-749952	Roller - Conveyor (White Plastic).....	AR
*4	00-158677	Spacer - Conveyor.....	AR
*5	00-892584-00001	Rod - Conveyor.....	AR
*6	00-892584-00002	Rod - Conveyor (Correctional).....	AR
*7	00-291841-00002	Link - Flight (Tray) (Position 2).....	AR
*8	00-291839-00001	Link - Flight (Spacer).....	AR
*9	00-081808	Link - Flight.....	AR
*10	NS-031-21	Stop Nut 1/4-20 Hex (SST).....	AR
*11	00-083367	Spacer - Conveyor (1-1/8 In.).....	AR
*12	00-083367-00002	Spacer - Conveyor (1-3/4 In.).....	AR
*13	00-748067-00001	Rod - Conveyor (Cross Rod, 23-3/8).....	AR

* (See chart on graphic for quantity.)

Item Number	Description
1	FT914S Conveyor - Thermal Tray - Pos 1, Complete
2	FT915S Conveyor - Thermal Tray - Pos 1, Complete
3	FT916S Conveyor - Thermal Tray - Pos 1, Complete
4	FT917S Conveyor - Thermal Tray - Pos 1, Complete
5	FT918 Conveyor - Thermal Tray - Pos 1, Complete
6	FT919 Conveyor - Thermal Tray - Pos 1, Complete
7	FT920 Conveyor - Thermal Tray - Pos 1, Complete
8	FT921 Conveyor - Thermal Tray - Pos 1, Complete
9	FT922 Conveyor - Thermal Tray - Pos 1, Complete
10	FT923 Conveyor - Thermal Tray - Pos 1, Complete
11	FT924 Conveyor - Thermal Tray - Pos 1, Complete
12	FT925 Conveyor - Thermal Tray - Pos 1, Complete
13	FT926 Conveyor - Thermal Tray - Pos 1, Complete
14	FT927 Conveyor - Thermal Tray - Pos 1, Complete
15	FT928 Conveyor - Thermal Tray - Pos 1, Complete
16	FT929 Conveyor - Thermal Tray - Pos 1, Complete
17	FT930 Conveyor - Thermal Tray - Pos 1, Complete
18	FT931 Conveyor - Thermal Tray - Pos 1, Complete
19	FT932 Conveyor - Thermal Tray - Pos 1, Complete
20	FT933 Conveyor - Thermal Tray - Pos 1, Complete
21	FT934 Conveyor - Thermal Tray - Pos 1, Complete
22	FT935 Conveyor - Thermal Tray - Pos 1, Complete
23	FT936 Conveyor - Thermal Tray - Pos 1, Complete
24	FT937 Conveyor - Thermal Tray - Pos 1, Complete
25	FT938 Conveyor - Thermal Tray - Pos 1, Complete
26	FT939 Conveyor - Thermal Tray - Pos 1, Complete
27	FT940 Conveyor - Thermal Tray - Pos 1, Complete
28	FT941 Conveyor - Thermal Tray - Pos 1, Complete
29	FT942 Conveyor - Thermal Tray - Pos 1, Complete

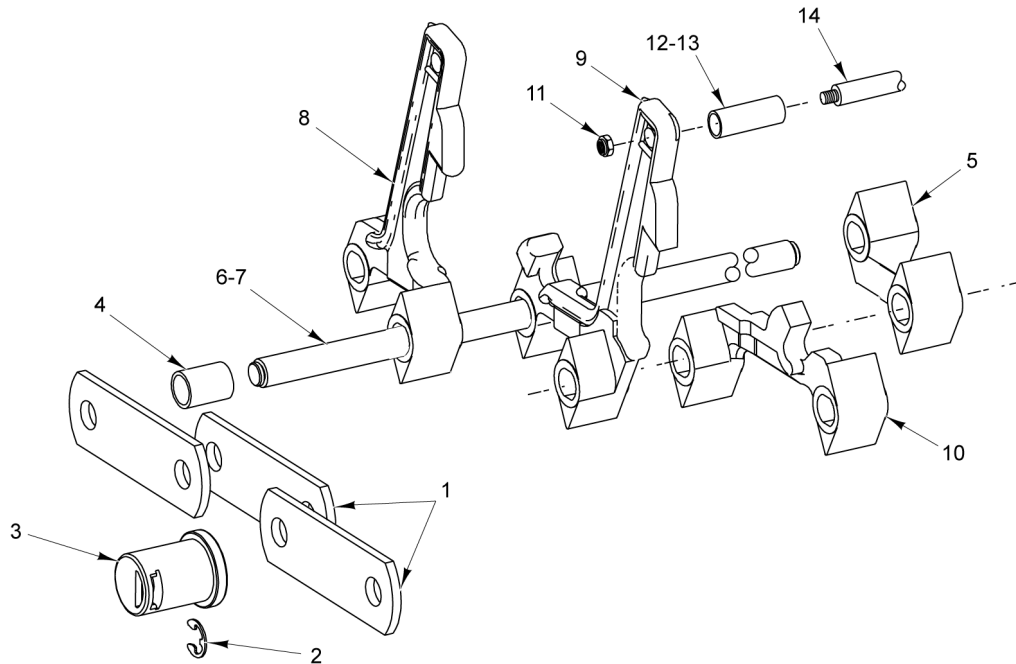
**NOTE: The 2 digits after the 9 refer to the length of the machine.
For example 914 is a 14 foot dishwasher.**

PL-60470

**CONVEYOR
(THERMAL TRAY - POS 1)
(COMPLETE ASSEMBLY)**

**CONVEYOR
(THERMAL TRAY - POS 1)
(COMPLETE ASSEMBLY)**

ILLUS. PL-60470	PART NO.	NAME OF PART	AMT.
1	00-748333-00003	FT914S Conveyor - Thermal Tray Pos 1, Complete.....	1
2	00-748333-00005	FT915S Conveyor - Thermal Tray Pos 1, Complete.....	1
3	00-748333-00007	FT916S Conveyor - Thermal Tray Pos 1, Complete.....	1
4	00-748333-00009	FT917S Conveyor - Thermal Tray Pos 1, Complete.....	1
5	00-748333-00011	FT918 Conveyor - Thermal Tray Pos 1, Complete.....	1
6	00-748333-00013	FT919 Conveyor - Thermal Tray Pos 1, Complete.....	1
7	00-748333-00015	FT920 Conveyor - Thermal Tray Pos 1, Complete.....	1
8	00-748333-00017	FT921 Conveyor - Thermal Tray Pos 1, Complete.....	1
9	00-748333-00019	FT922 Conveyor - Thermal Tray Pos 1, Complete.....	1
10	00-748333-00021	FT923 Conveyor - Thermal Tray Pos 1, Complete.....	1
11	00-748333-00023	FT924 Conveyor - Thermal Tray Pos 1, Complete.....	1
12	00-748333-00025	FT925 Conveyor - Thermal Tray Pos 1, Complete.....	1
13	00-748333-00027	FT926 Conveyor - Thermal Tray Pos 1, Complete.....	1
14	00-748333-00029	FT927 Conveyor - Thermal Tray Pos 1, Complete.....	1
15	00-748333-00031	FT928 Conveyor - Thermal Tray Pos 1, Complete.....	1
16	00-748333-00033	FT929 Conveyor - Thermal Tray Pos 1, Complete.....	1
17	00-748333-00035	FT930 Conveyor - Thermal Tray Pos 1, Complete.....	1
18	00-748333-00037	FT931 Conveyor - Thermal Tray Pos 1, Complete.....	1
19	00-748333-00039	FT932 Conveyor - Thermal Tray Pos 1, Complete.....	1
20	00-748333-00041	FT933 Conveyor - Thermal Tray Pos 1, Complete.....	1
21	00-748333-00043	FT934 Conveyor - Thermal Tray Pos 1, Complete.....	1
22	00-748333-00045	FT935 Conveyor - Thermal Tray Pos 1, Complete.....	1
23	00-748333-00047	FT936 Conveyor - Thermal Tray Pos 1, Complete.....	1
24	00-748333-00049	FT937 Conveyor - Thermal Tray Pos1, Complete.....	1
25	00-748333-00051	FT938 Conveyor - Thermal Tray Pos1, Complete.....	1
26	00-748333-00053	FT939 Conveyor - Thermal Tray Pos1, Complete.....	1
27	00-748333-00055	FT940 Conveyor - Thermal Tray Pos1, Complete.....	1
28	00-748333-00057	FT941 Conveyor - Thermal Tray Pos1, Complete.....	1
29	00-748333-00059	FT942 Conveyor - Thermal Tray Pos1, Complete.....	1



PL-60254

MODEL MACHINE	ITEM No. (Individual Parts)						ITEM No. (Service Kits)		
	1, 2, & 3	4 & 5	6 & 7	8 & 9	10	11, 12, 13, & 14	15	16	17
	AMT.						AMT.		
FT914S	270	360	135	585	720	AR	2	2	2
FT915S	294	392	147	637	784	AR	1	-	3
FT916S	312	416	156	676	832	AR	2	-	3
FT917S	336	448	168	728	896	AR	2	1	3
FT918	354	472	117	767	944	AR	1	2	3
FT919	372	496	186	806	992	AR	2	2	3
FT920	396	528	198	858	1056	AR	1	-	4
FT921	414	552	207	897	1104	AR	-	1	4
FT922	438	584	219	949	1168	AR	2	1	4
FT923	456	608	228	988	1216	AR	1	2	4
FT924	480	640	240	1040	1280	AR	-	-	5
FT925	498	664	249	1079	1328	AR	2	-	5
FT926	522	696	261	1131	1392	AR	1	1	5
FT927	540	720	270	1170	1440	AR	-	2	5
FT928	564	752	282	1222	1504	AR	2	2	5
FT929	582	776	291	1261	1552	AR	1	-	6
FT930	600	800	300	1300	1600	AR	2	-	6
FT931	624	832	312	1352	1664	AR	4	-	6
FT932	642	856	321	1391	1712	AR	1	2	6
FT933	666	888	333	1443	1776	AR	-	-	7
FT934	684	912	342	1482	1824	AR	1	-	7
FT935	708	944	354	1534	1888	AR	3	-	7
FT936	726	968	363	1573	1936	AR	2	1	7
FT937	750	1000	375	1625	2000	AR	2	2	7
FT938	768	1024	384	1664	2048	AR	-	-	8
FT939	792	1056	396	1716	2112	AR	2	-	8
FT940	810	1080	405	1755	2160	AR	1	1	8
FT941	828	1104	414	1794	2208	AR	-	2	8
FT942	852	1136	426	1846	2272	AR	2	2	8

NOTE: The 2 digits after the 9 refer to the length of the machine. For example 914 is a 14 foot dishwasher.

**CONVEYOR
(THERMAL TRAY - POS 1)
(17 FLIGHT LINKS PER ROD)**

**CONVEYOR
(THERMAL TRAY - POS 1)
(17 FLIGHT LINKS PER ROD)**

ILLUS. PL-60254	PART NO.	NAME OF PART	AMT.
*1	00-289374	Bar - Side Conveyor.....	AR
*2	RR-006-23	Retaining Ring.....	AR
*3	00-749952	Roller - Conveyor (White Plastic).....	AR
*4	00-158677	Spacer - Conveyor.....	AR
*5	00-291839-00001	Link - Flight (Spacer).....	AR
*6	00-892584-00001	Rod - Conveyor.....	AR
*7	00-892584-00002	Rod - Conveyor (Correctional).....	AR
*8	00-291842-00001	Link - Flight (Tray) (Position 1).....	AR
*9	00-291841-00001	Link - Flight (Tray) (Position 1).....	AR
*10	00-291840-00001	Link - Flight (Short).....	AR
*11	NS-031-21	Stop Nut 1/4-20 Hex (SST).....	AR
*12	00-083367	Spacer - Conveyor (1-1/8 In.).....	AR
*13	00-083367-00002	Spacer - Conveyor (1-3/4 In.).....	AR
*14	00-748067-00001	Rod - Conveyor (Cross Rod, 23-3/8).....	AR

* (See chart on graphic for quantity.)

Item Number	Description
1	FT914S Conveyor - Thermal Tray - Pos 2, Complete
2	FT915S Conveyor - Thermal Tray - Pos 2, Complete
3	FT916S Conveyor - Thermal Tray - Pos 2, Complete
4	FT917S Conveyor - Thermal Tray - Pos 2, Complete
5	FT918 Conveyor - Thermal Tray - Pos 2, Complete
6	FT919 Conveyor - Thermal Tray - Pos 2, Complete
7	FT920 Conveyor - Thermal Tray - Pos 2, Complete
8	FT921 Conveyor - Thermal Tray - Pos 2, Complete
9	FT922 Conveyor - Thermal Tray - Pos 2, Complete
10	FT923 Conveyor - Thermal Tray - Pos 2, Complete
11	FT924 Conveyor - Thermal Tray - Pos 2, Complete
12	FT925 Conveyor - Thermal Tray - Pos 2, Complete
13	FT926 Conveyor - Thermal Tray - Pos 2, Complete
14	FT927 Conveyor - Thermal Tray - Pos 2, Complete
15	FT928 Conveyor - Thermal Tray - Pos 2, Complete
16	FT929 Conveyor - Thermal Tray - Pos 2, Complete
17	FT930 Conveyor - Thermal Tray - Pos 2, Complete
18	FT931 Conveyor - Thermal Tray - Pos 2, Complete
19	FT932 Conveyor - Thermal Tray - Pos 2, Complete
20	FT933 Conveyor - Thermal Tray - Pos 2, Complete
21	FT934 Conveyor - Thermal Tray - Pos 2, Complete
22	FT935 Conveyor - Thermal Tray - Pos 2, Complete
23	FT936 Conveyor - Thermal Tray - Pos 2, Complete
24	FT937 Conveyor - Thermal Tray - Pos 2, Complete
25	FT938 Conveyor - Thermal Tray - Pos 2, Complete
26	FT939 Conveyor - Thermal Tray - Pos 2, Complete
27	FT940 Conveyor - Thermal Tray - Pos 2, Complete
28	FT941 Conveyor - Thermal Tray - Pos 2, Complete
29	FT942 Conveyor - Thermal Tray - Pos 2, Complete

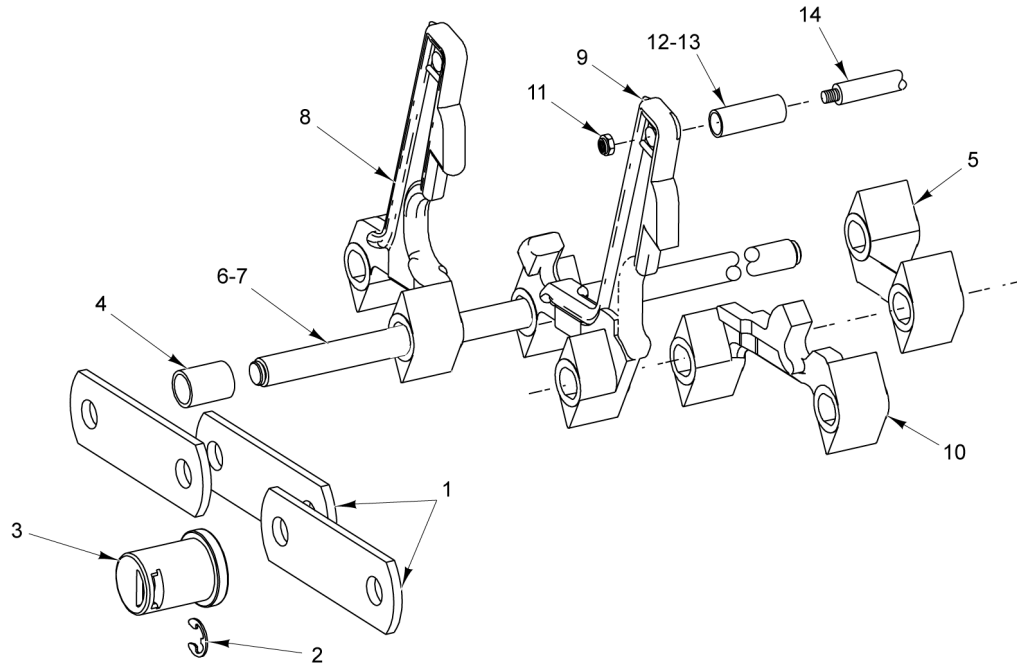
NOTE: The 2 digits after the 9 refer to the length of the machine. For example 914 is a 14 foot dishwasher.

PL-60471

**CONVEYOR
(THERMAL TRAY - POS 2)
(COMPLETE ASSEMBLY)**

**CONVEYOR
(THERMAL TRAY - POS 2)
(COMPLETE ASSEMBLY)**

ILLUS. PL-60471	PART NO.	NAME OF PART	AMT.
1	00-748333-00004	FT914S Conveyor - Thermal Tray Pos 2, Complete.....	1
2	00-748333-00006	FT915S Conveyor - Thermal Tray Pos 2, Complete.....	1
3	00-748333-00008	FT916S Conveyor - Thermal Tray Pos 2, Complete.....	1
4	00-748333-00010	FT917S Conveyor - Thermal Type Pos 2, Complete.....	1
5	00-748333-00012	FT918 Conveyor - Thermal Tray Pos 2, Complete.....	1
6	00-748333-00014	FT919 Conveyor - Thermal Tray Pos 2, Complete.....	1
7	00-748333-00016	FT920 Conveyor - Thermal Tray Pos 2, Complete.....	1
8	00-748333-00018	FT921 Conveyor - Thermal Tray Pos 2, Complete.....	1
9	00-748333-00020	FT922 Conveyor - Thermal Tray Pos 2, Complete.....	1
10	00-748333-00022	FT923 Conveyor - Thermal Tray Pos 2, Complete.....	1
11	00-748333-00024	FT924 Conveyor - Thermal Tray Pos 2, Complete.....	1
12	00-748333-00026	FT925 Conveyor - Thermal Tray Pos 2, Complete.....	1
13	00-748333-00028	FT926 Conveyor - Thermal Tray Pos 2, Complete.....	1
14	00-748333-00030	FT927 Conveyor - Thermal Tray Pos 2, Complete.....	1
15	00-748333-00032	FT928 Conveyor - Thermal Tray Pos 2, Complete.....	1
16	00-748333-00034	FT929 Conveyor - Thermal Tray Pos 2, Complete.....	1
17	00-748333-00036	FT930 Conveyor - Thermal Tray Pos 2, Complete.....	1
18	00-748333-00038	FT931 Conveyor - Thermal Tray Pos 2, Complete.....	1
19	00-748333-00040	FT932 Conveyor - Thermal Tray Pos 2, Complete.....	1
20	00-748333-00042	FT933 Conveyor - Thermal Tray Pos 2, Complete.....	1
21	00-748333-00044	FT934 Conveyor - Thermal Tray Pos 2, Complete.....	1
22	00-748333-00046	FT935 Conveyor - Thermal Tray Pos 2, Complete.....	1
23	00-748333-00048	FT936 Conveyor - Thermal Tray Pos 2, Complete.....	1
24	00-748333-00050	FT937 Conveyor - Thermal Tray Pos 2, Complete.....	1
25	00-748333-00052	FT938 Conveyor - Thermal Tray Pos 2, Complete.....	1
26	00-748333-00054	FT939 Conveyor - Thermal Tray Pos 2, Complete.....	1
27	00-748333-00056	FT940 Conveyor - Thermal Tray Pos 2, Complete.....	1
28	00-748333-00058	FT941 Conveyor - Thermal Tray Pos 2, Complete.....	1
29	00-748333-00060	FT942 Conveyor - Thermal Tray Pos 2, Complete.....	1



PL-60255

MODEL MACHINE	ITEM No. (Individual Parts)						ITEM No. (Service Kits)		
	1, 2, & 3	4 & 5	6 & 7	8 & 9	10	11, 12, 13, & 14	15	16	17
	AMT.						AMT.		
FT914S	270	360	135	585	720	AR	2	2	2
FT915S	294	392	147	637	784	AR	1	-	3
FT916S	312	416	156	676	832	AR	2	-	3
FT917S	336	448	168	728	896	AR	2	1	3
FT918	354	472	117	767	944	AR	1	2	3
FT919	372	496	186	806	992	AR	2	2	3
FT920	396	528	198	858	1056	AR	1	-	4
FT921	414	552	207	897	1104	AR	-	1	4
FT922	438	584	219	949	1168	AR	2	1	4
FT923	456	608	228	988	1216	AR	1	2	4
FT924	480	640	240	1040	1280	AR	-	-	5
FT925	498	664	249	1079	1328	AR	2	-	5
FT926	522	696	261	1131	1392	AR	1	1	5
FT927	540	720	270	1170	1440	AR	-	2	5
FT928	564	752	282	1222	1504	AR	2	2	5
FT929	582	776	291	1261	1552	AR	1	-	6
FT930	600	800	300	1300	1600	AR	2	-	6
FT931	624	832	312	1352	1664	AR	4	-	6
FT932	642	856	321	1391	1712	AR	1	2	6
FT933	666	888	333	1443	1776	AR	-	-	7
FT934	684	912	342	1482	1824	AR	1	-	7
FT935	708	944	354	1534	1888	AR	3	-	7
FT936	726	968	363	1573	1936	AR	2	1	7
FT937	750	1000	375	1625	2000	AR	2	2	7
FT938	768	1024	384	1664	2048	AR	-	-	8
FT939	792	1056	396	1716	2112	AR	2	-	8
FT940	810	1080	405	1755	2160	AR	1	1	8
FT941	828	1104	414	1794	2208	AR	-	2	8
FT942	852	1136	426	1846	2272	AR	2	2	8

NOTE: The 2 digits after the 9 refer to the length of the machine. For example 914 is a 14 foot dishwasher.

**CONVEYOR
(THERMAL TRAY - POS 2)
(17 FLIGHT LINKS PER ROD)**

**CONVEYOR
(THERMAL TRAY - POS 2)
(17 FLIGHT LINKS PER ROD)**

ILLUS. PL-60255	PART NO.	NAME OF PART	AMT.
*1	00-289374	Bar - Side Conveyor.....	AR
*2	RR-006-23	Retaining Ring.....	AR
*3	00-749952	Roller - Conveyor (White Plastic).....	AR
*4	00-158677	Spacer - Conveyor.....	AR
*5	00-291839-00001	Link - Flight (Spacer).....	AR
*6	00-892584-00001	Rod - Conveyor.....	AR
*7	00-892584-00002	Rod - Conveyor (Correctional).....	AR
*8	00-291842-00002	Link - Flight (Tray) (Position 2).....	AR
*9	00-291841-00002	Link - Flight (Tray) (Position 2).....	AR
*10	00-291840-00001	Link - Flight (Short).....	AR
*11	NS-031-21	Stop Nut 1/4-20 Hex (SST).....	AR
*12	00-083367	Spacer - Conveyor (1-1/8 In.).....	AR
*13	00-083367-00002	Spacer - Conveyor (1-3/4 In.).....	AR
*14	00-748067-00001	Rod - Conveyor (Cross Rod, 23-3/8).....	AR

* (See chart on graphic for quantity.)

Item Number	Description
1	FT914S Conveyor - Tivoli II & III, Complete
2	FT915S Conveyor - Tivoli II & III, Complete
3	FT916S Conveyor - Tivoli II & III, Complete
4	FT917S Conveyor - Tivoli II & III, Complete
5	FT918 Conveyor - Tivoli II & III, Complete
6	FT919 Conveyor - Tivoli II & III, Complete
7	FT920 Conveyor - Tivoli II & III, Complete
8	FT921 Conveyor - Tivoli II & III, Complete
9	FT922 Conveyor - Tivoli II & III, Complete
10	FT923 Conveyor - Tivoli II & III, Complete
11	FT924 Conveyor - Tivoli II & III, Complete
12	FT925 Conveyor - Tivoli II & III, Complete
13	FT926 Conveyor - Tivoli II & III, Complete
14	FT927 Conveyor - Tivoli II & III, Complete
15	FT928 Conveyor - Tivoli II & III, Complete
16	FT929 Conveyor - Tivoli II & III, Complete
17	FT930 Conveyor - Tivoli II & III, Complete
18	FT931 Conveyor - Tivoli II & III, Complete
19	FT932 Conveyor - Tivoli II & III, Complete
20	FT933 Conveyor - Tivoli II & III, Complete
21	FT934 Conveyor - Tivoli II & III, Complete
22	FT935 Conveyor - Tivoli II & III, Complete
23	FT936 Conveyor - Tivoli II & III, Complete
24	FT937 Conveyor - Tivoli II & III, Complete
25	FT938 Conveyor - Tivoli II & III, Complete
26	FT939 Conveyor - Tivoli II & III, Complete
27	FT940 Conveyor - Tivoli II & III, Complete
28	FT941 Conveyor - Tivoli II & III, Complete
29	FT942 Conveyor - Tivoli II & III, Complete

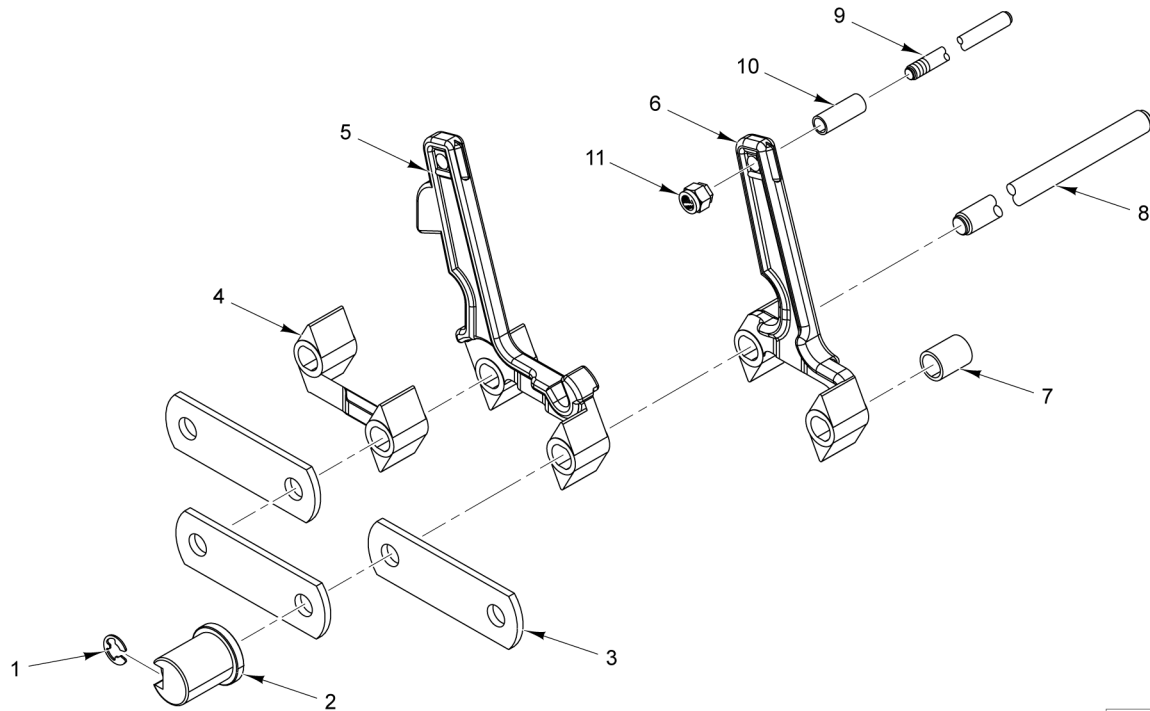
**NOTE: The 2 digits after the 9 refer to the length of the machine.
For example 914 is a 14 foot dishwasher.**

PL-60472

**CONVEYOR
(TIVOLI II & III)
(COMPLETE ASSEMBLY)**

**CONVEYOR
(TIVOLI II & III)
(COMPLETE ASSEMBLY)**

ILLUS. PL-60472	PART NO.	NAME OF PART	AMT.
1	00-941398-00002	FT914S Conveyor - Tivoli II & III, Complete.....	1
2	00-941398-00003	FT915S Conveyor - Tivoli II & III, Complete.....	1
3	00-941398-00004	FT916S Conveyor - Tivoli II & III, Complete.....	1
4	00-941398-00005	FT917S Conveyor - Tivoli II & III, Complete.....	1
5	00-941398-00006	FT918 Conveyor - Tivoli II & III, Complete.....	1
6	00-941398-00007	FT919 Conveyor - Tivoli II & III, Complete.....	1
7	00-941398-00008	FT920 Conveyor - Tivoli II & III, Complete.....	1
8	00-941398-00009	FT921 Conveyor - Tivoli II & III, Complete.....	1
9	00-941398-00010	FT922 Conveyor - Tivoli II & III, Complete.....	1
10	00-941398-00011	FT923 Conveyor - Tivoli II & III, Complete.....	1
11	00-941398-00012	FT924 Conveyor - Tivoli II & III, Complete.....	1
12	00-941398-00013	FT925 Conveyor - Tivoli II & III, Complete.....	1
13	00-941398-00014	FT926 Conveyor - Tivoli II & III, Complete.....	1
14	00-941398-00015	FT927 Conveyor - Tivoli II & III, Complete.....	1
15	00-941398-00016	FT928 Conveyor - Tivoli II & III, Complete.....	1
16	00-941398-00017	FT929 Conveyor - Tivoli II & III, Complete.....	1
17	00-941398-00018	FT930 Conveyor - Tivoli II & III, Complete.....	1
18	00-941398-00019	FT931 Conveyor - Tivoli II & II, Complete.....	1
19	00-941398-00020	FT932 Conveyor - Tivoli II & III, Complete.....	1
20	00-941398-00021	FT933 Conveyor - Tivoli II & III, Complete.....	1
21	00-941398-00022	FT934 Conveyor - Tivoli II & III, Complete.....	1
22	00-941398-00023	FT935 Conveyor - Tivoli II & III, Complete.....	1
23	00-941398-00024	FT936 Conveyor - Tivoli II & III, Complete.....	1
24	00-941398-00025	FT937 Conveyor - Tivoli II & III, Complete.....	1
25	00-941398-00026	FT938 Conveyor - Tivoli II & III, Complete.....	1
26	00-941398-00027	FT939 Conveyor - Tivoli II & III, Complete.....	1
27	00-941398-00028	FT940 Conveyor - Tivoli II & III, Complete.....	1
28	00-941398-00029	FT941 Conveyor - Tivoli II & III, Complete.....	1
29	00-941398-00030	FT942 Conveyor - Tivoli II & III, Complete.....	1



PL-60256

MODEL MACHINE	ITEM No. (Individual Parts)				
	1, 2, & 3	4, 5, & 6	7	8	9, 10, & 11
	AMT.				
FT914S	270	765	270	135	AR
FT915S	294	833	294	147	AR
FT916S	312	884	312	156	AR
FT917S	336	952	336	168	AR
FT918	354	1003	354	177	AR
FT919	372	1054	372	186	AR
FT920	396	1122	396	198	AR
FT921	414	1173	414	207	AR
FT922	438	1241	438	219	AR
FT923	456	1292	456	228	AR
FT924	480	1360	480	240	AR
FT925	498	1411	498	249	AR
FT926	522	1479	522	261	AR
FT927	540	1530	540	270	AR
FT928	564	1598	564	282	AR
FT929	582	1649	582	291	AR
FT930	600	1700	600	300	AR
FT931	624	1768	624	312	AR
FT932	642	1819	642	321	AR
FT933	666	1887	666	333	AR
FT934	684	1938	684	342	AR
FT935	708	2006	708	354	AR
FT936	726	2057	726	363	AR
FT937	750	2125	750	375	AR
FT938	768	2176	768	384	AR
FT939	792	2244	792	396	AR
FT940	810	2295	810	405	AR
FT941	828	2346	828	414	AR
FT942	852	2414	852	426	AR

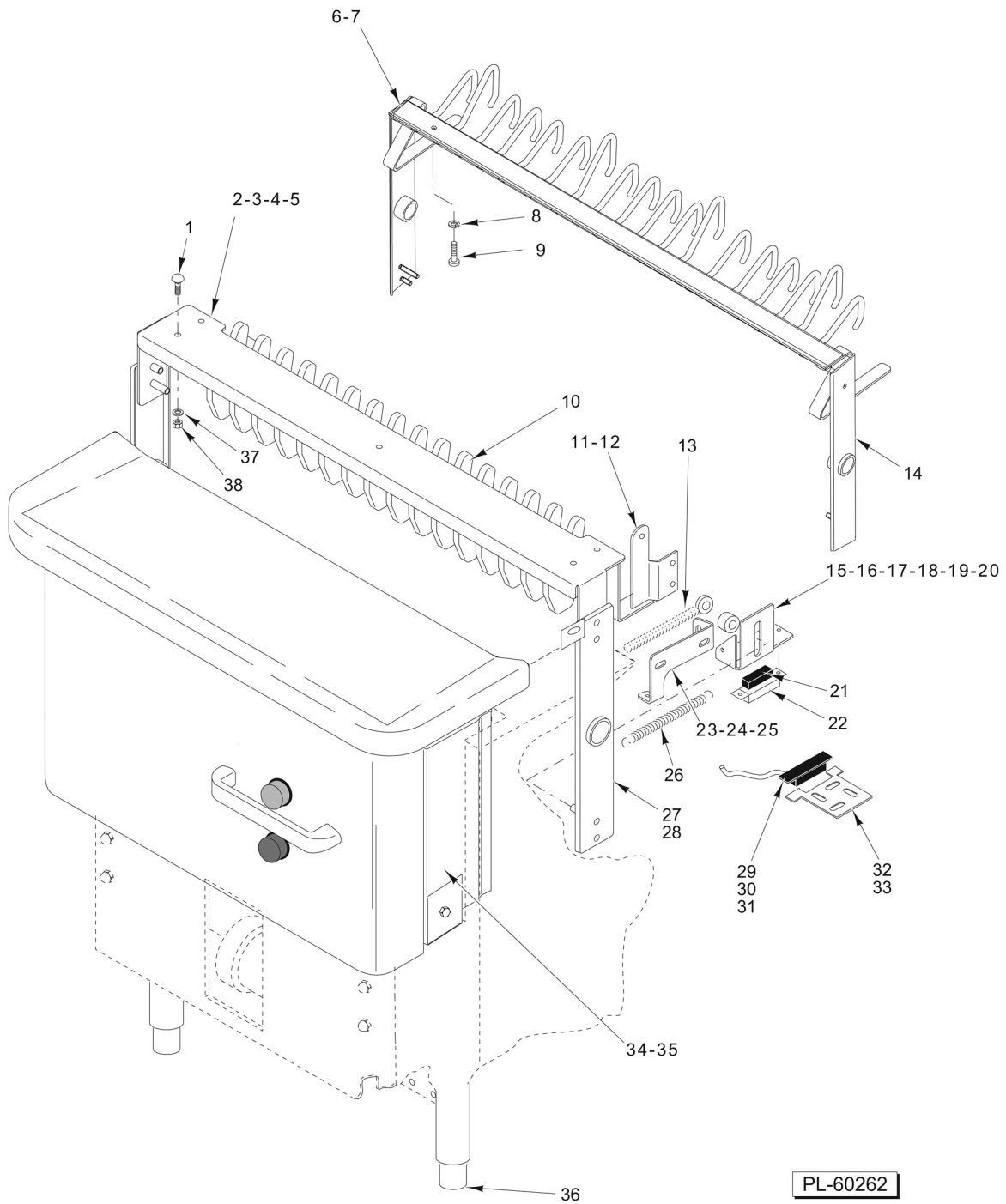
NOTE: The 2 digits after the 9 refer to the length of the machine. For example 914 is a 14 foot dishwasher.

**CONVEYOR
(TIVOLI II & III)**

**CONVEYOR
(TIVOLI II & III)**

ILLUS.	PART NO.	NAME OF PART	AMT.
PL-60256			
*1	RR-006-23	Retaining Ring.....	AR
*2	00-749952	Roller - Conveyor (White Plastic).....	AR
*3	00-289374	Bar - Side Conveyor.....	AR
*4	00-291839-00001	Link - Flight (Spacer).....	AR
*5	00-291841-00002	Link - Flight (Tray) (Position 2).....	AR
*6	00-081808	Link - Flight.....	AR
*7	00-158677	Spacer - Conveyor.....	AR
*8	00-892584-00001	Rod - Conveyor.....	AR
9	00-748067-00001	Rod - Conveyor (Cross Rod, 23-3/8).....	AR
10	00-083367	Spacer - Conveyor (1-1/8 In.).....	AR
11	NS-031-21	Stop Nut 1/4-20 Hex (SST).....	AR

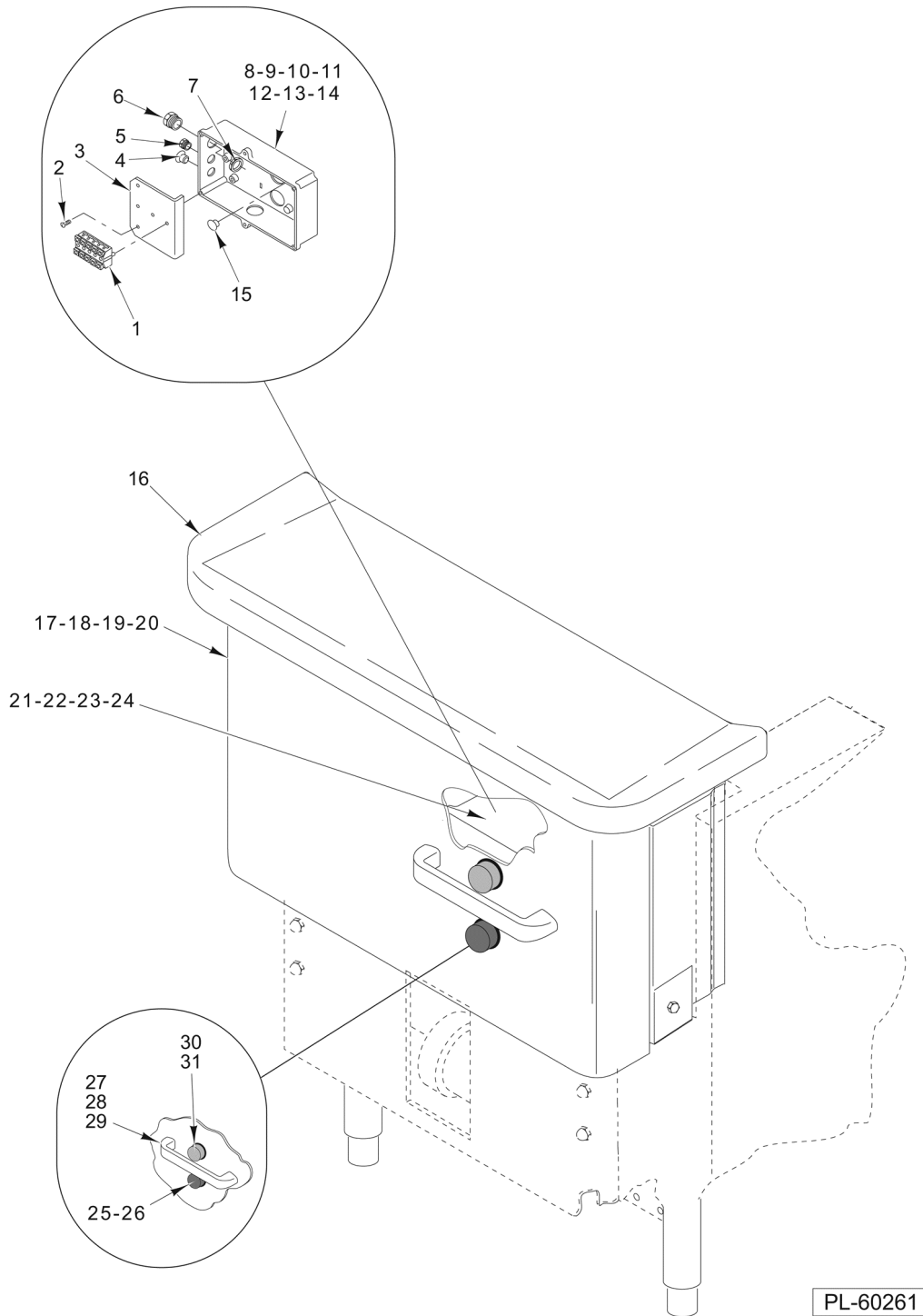
* (See chart on graphic for quantity.)



UNLOAD PLATFORM TRIP FINGERS

UNLOAD PLATFORM TRIP FINGERS

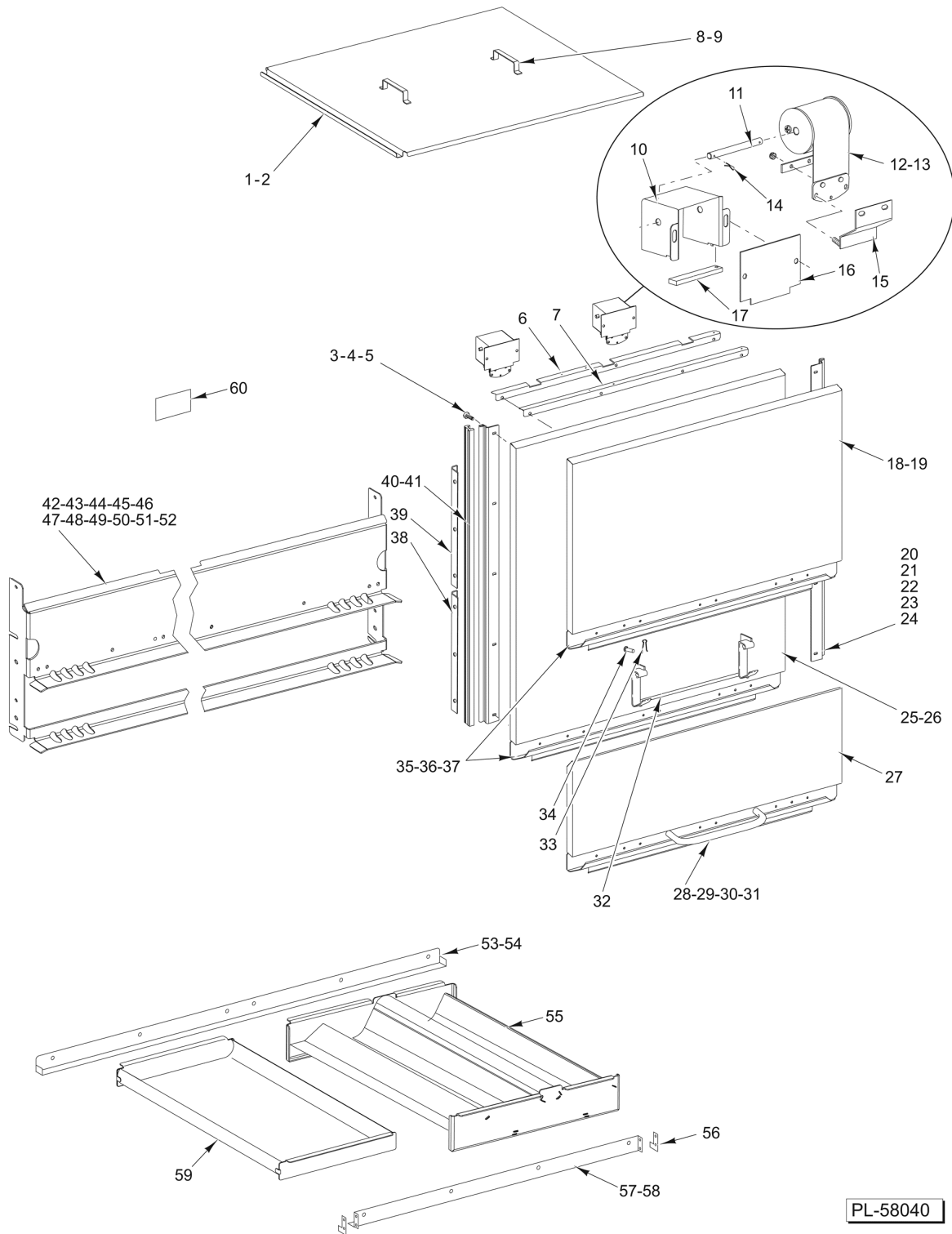
ILLUS. PL-60262	PART NO.	NAME OF PART	AMT.
1	SC-094-20	Bolt 5/16-18 x 1 Sq. Nk. Rd.....	5
2	00-892522	Trip Finger Assy., Type A (Current Construction).....	1
3	00-892523-00001	Trip Finger Assy. WithCross Rods, Type A Links (Current Construction).....	1
4	00-892523-00002	Trip Finger Assy. WithCross Rods, Type BB Links (Current Construction).....	1
5	00-892515	Trip Finger Assy., Type BB (Current Construction).....	1
6	00-475830	Trip Finger Wldt. (Type A/Type AA) (Previous Construction).....	1
7	00-748094	Trip Finger Wldt. (Cross Rods) (Previous Construction).....	1
8	WL-006-17	Lockwasher 1/4 Helical (SST).....	5
9	SC-041-05	Cap Screw 1/4-20 x 5/8 Hex Hd. (SST).....	5
10	00-892513	Finger - Trip Arm Stacking.....	16
11	00-476254-00001	Plate - Pivot (Load Platform).....	1
12	00-476254-00002	Plate - Pivot (Load Platform) (Shown).....	1
13	00-475806	Rod - Stop Trip Arm (Previous Construction).....	2
14	00-475893	Arm - Trip Weldment (Type A) (Previous Construction).....	1
15	00-748068-00001	Bracket - Arm (LH) (Previous Construction).....	1
16	00-892768-00001	Bracket - Arm (LH) (Current Construction).....	1
17	00-748068-00002	Bracket - Arm (RH) (Previous Construction).....	1
18	00-892768-00002	Bracket - Arm (RH) (Current Construction).....	1
19	WS-017-08	Washer (0.328 x 0.625 x 0.062) (SST).....	4
20	NS-036-19	Stop Nut 5/16-18 Hex (SST).....	4
21	00-290160	Magnet.....	1
22	00-290159	Retainer - Magnet.....	1
23	00-475807-00001	Bracket - Stop (Trip Arm, R-L) (Previous Construction).....	1
24	00-475807-00002	Bracket - Stop (Trip Arm, L-R) (Previous Construction).....	1
25	00-892760	Spring - Retainer (Trip Arm) (Current Construction).....	1
26	00-289637	Spring - Trip Arm.....	2
27	00-892521	Arm - Trip Weldment (Previous Construction).....	2
28	00-892770	Arm - Trip Weldment (Current Construction).....	2
29	00-476725-00014	Switch - Interlock Dish Limit 5 & 7 Unload (Old Controls).....	1
30	00-476725-00015	Switch - Interlock Dish Limit 9 & 11 Unload (Old Controls).....	1
31	00-473109-005-4	Switch - Interlock (New Controls).....	1
32	00-748124	Bracket - Adjustment Magnet (Old Controls).....	1
33	00-918566	Bracket - Interlock Switch (New Controls).....	1
34	00-475820	Support - Unload Platform.....	1
35	00-476324	Angle - Support Platform.....	2
36	00-475874	Foot.....	4
37	WS-029-05	Washer 0.328 x 0.750 x 0.062 (SST).....	AR
38	NS-036-19	Stop Nut 5/16-18 Hex (SST).....	4



UNLOAD PLATFORM CONTROLS

UNLOAD PLATFORM CONTROLS

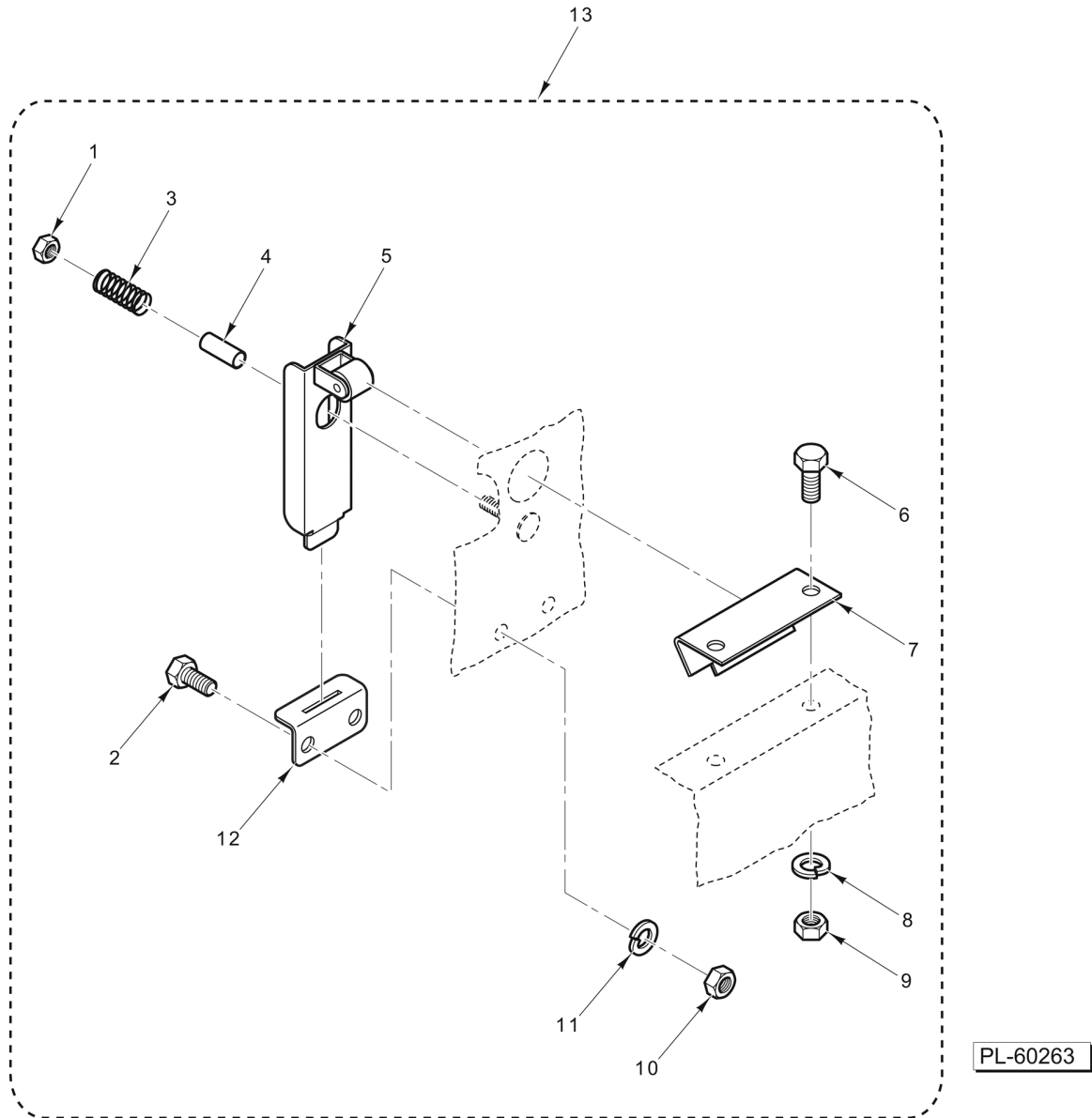
ILLUS.	PART NO.	NAME OF PART	AMT.
PL-60261			
1	00-918385	Block - Terminal (5-Pole).....	1
2	SD-012-04	Self-Tapping Screw 8-32 x 3/8 Phil. Truss Hd., Type T.....	2
3	00-918578	Plate - Terminal Block.....	1
4	PB-004-35	Plug - Button (1/2).....	1
5	FE-025-96	Strain Relief - Electrical.....	2
6	FE-024-88	Lock Nut 1/2 Electrical.....	1
7	FE-022-84	Connector - Strain Relief.....	1
8	00-918574	Box - Switch.....	1
9	00-893295	Box - Switch (Start/Stop) (Vertical Switches Without New Controls).....	1
10	00-918575-00003	Box - Switch (Start / Stop) (R-L) (New Controls) (Incls. Items 1 thru 8 & 15).....	1
11	00-918575-00004	Box - Switch (Start / Stop) (L-R) (New Controls) (Incls. Items 1 thru 8 & 15).....	1
12	00-476751-00006	Cable Assy. (5 & 7 Ft. Unload Start/Stop) (Old Controls).....	1
13	00-476751-00005	Cable Assy. (9 & 11 Ft. Unload Start/Stop) (Old Controls).....	1
14	00-918568-005-2	Cable Assy. Start/Stop Unload (New Controls).....	1
15	PB-005-17	Plug - Button.....	1
16	00-475971	Platform Assy.....	1
17	00-476746-00001	Bracket - Start/Stop Unload (R-L) (Horizontal Switches).....	1
18	00-893296-00001	Bracket - Start/Stop Unload (R-L) (Vertical Switches).....	1
19	00-476746-00002	Bracket - Start/Stop Unload (L-R) (Horizontal Switches).....	1
20	00-893296-00002	Bracket - Start/Stop Unload (L-R) (Vertical Switches).....	1
21	00-476654	Box - Switch (Start/Stop) (Horizontal Switches).....	1
22	00-288465	Lid & Gasket Assy.....	1
23	SD-012-20	Self-Tapping Screw 8-32 x 1/2 Phil. Truss Hd., Type T.....	6
24	FE-022-43	Bushing - Electric Snap.....	1
25	00-749986-00004	Block - Contact (Start).....	1
26	00-892001	Button - Push (Flush).....	1
27	00-222559	Handle.....	1
28	SC-066-06	Mach. Screw 10-24 x 1/2 Phil. Truss Hd. (SST) (New Controls).....	2
29	WL-014-07	Lockwasher #10 External Shakeproof (SST) (New Controls).....	4
30	00-749986-00003	Block - Contact (Stop).....	1
31	00-749992	Button - Push (Extended).....	1



**DEFLECTOR, TRACKS, AND SLIDING DOORS
(UNLOAD BLOWER DRYER)**

**DEFLECTOR, TRACKS, AND SLIDING DOORS
(UNLOAD BLOWER DRYER)**

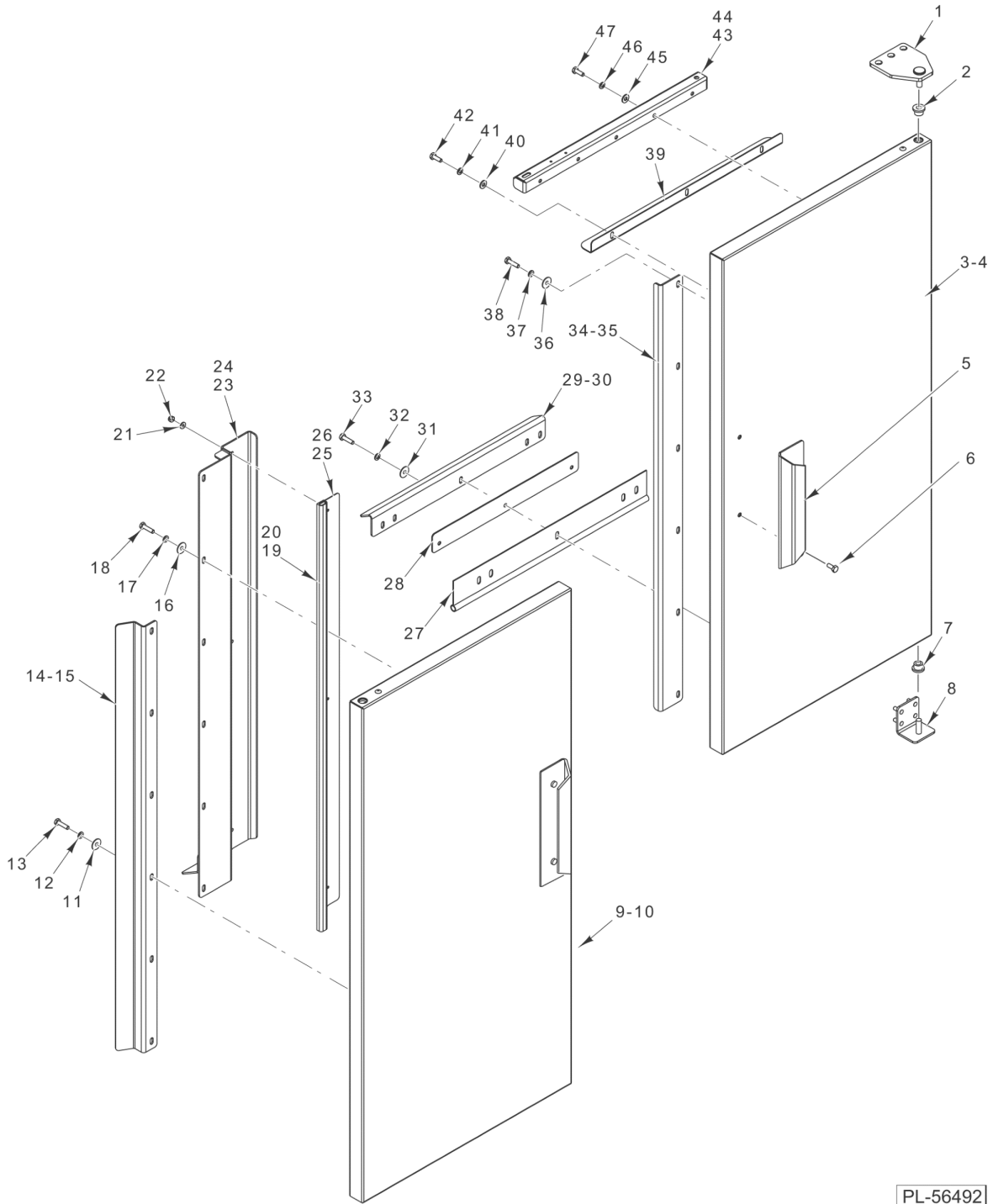
ILLUS. PL-58040	PART NO.	NAME OF PART	AMT.
1	00-476164-00002	Lid Assy. (Chamber 25 In.).....	1
2	00-748024	Label - No Step.....	2
3	SC-041-05	Cap Screw 1/4-20 x 5/8 Hex Hd. (SST).....	AR
4	WL-006-17	Lockwasher 1/4 Helical (SST).....	AR
5	WS-017-06	Washer (SST).....	AR
6	00-749465-00002	Plate - Door Seal (34 In.).....	1
7	00-476208-00002	Seal - Door (34 In.).....	1
8	SC-066-06	Mach. Screw 10-24 x 1/2 Phil. Truss Hd. (SST).....	2
9	00-222559	Handle.....	1
10	00-749503	Bracket - Spring Spool.....	3
11	00-475784	Pin - Axle (Spring Spool).....	3
12	00-476265-00001	Spring Assy. - Door (Note Dash Number on End Plate).....	3
13	00-476265-00002	Spring Assy. - Door (Note Dash Number on End Plate).....	3
14	00-066233	Retainer - Clip Support.....	AR
15	00-476267	Bracket - Door Spring Mounting.....	3
16	00-476270	Plate - Spring Protector.....	3
17	00-476269	Plate - Spring Guide.....	3
18	00-893505-00006	Split Door Assy. (Upper) (Standard Height).....	1
19	00-893505-00003	NLA - Obsolete--Split Door Assy. (Upper) (6 In. Higher Than Standard).....	1
20	00-476197-00003	Guide - Door Extrusion (Full Door) (Standard Height).....	2
21	00-476197-00004	Guide - Door Extrusion (Full Door) (6 In. Higher Than Standard).....	2
22	00-476904-00004	Guide - Door (Split Upper Door) (Standard Height).....	2
23	00-476904-00005	Guide - Door (Split Upper Door) (6 In. Higher Than Standard).....	2
24	00-476904-00006	Guide - Door (Split Lower Door).....	2
25	00-893504-00006	Door Assy. (34 In.) (Standard Height).....	1
26	00-893504-00003	Door Assy. (34 In.) (6 In. Higher Than Standard).....	1
27	00-893506-00002	Split Door Assy. (Lower) (34 In.).....	1
28	00-748221	Handle (Split Door, Lower).....	1
29	SC-041-12	Cap Screw 5/16-18 x 7/8 Hex Hd. (SST).....	2
30	WS-017-01	Washer 0.328 x 0.875 x 0.062 (SST).....	2
31	WL-006-23	Lockwasher 5/16 Helical (SST).....	2
32	00-476978-00002	Catch (34 In. Split Door, Lower).....	1
33	PC-005-02	Cotter Pin 1/16 x 1/2 (SST).....	2
34	00-012114	Pin.....	2
35	00-476206-00002	Handle - Door (34 In.).....	1
36	NS-031-21	Stop Nut 1/4-20 Hex (SST).....	8
37	WS-003-47	Washer (SST).....	8
38	00-476422-00001	Retainer - Guide (22 In.) (6 In. Higher Than Standard).....	2
39	00-476422-00002	Retainer - Guide (16 In.) (Standard Height).....	2
40	00-476421-00002	Guide - Door (Standard Height).....	2
41	00-476421-00001	Guide - Door (6 In. Higher Than Standard).....	2
42	00-476325	Track Assy. (Rear, 66 In.) (L-R & R-L) (FT900 & FT900S).....	1
43	00-476325-00002	Track Assy. (Front, R-L, 66 In.) (Full Door) (FT900 & FT900S).....	1
44	00-918368-00002	Track - Blower Dryer (Front, R-L) (FT900D & FT900SD).....	1
45	00-476325-00003	Track Assy. (Front, L-R, 66 In.) (Full Door) (FT900 & FT900S).....	1
46	00-918368-00003	Track - Blower Dryer (Front, L-R) (FT900D & FT900SD).....	1
47	00-918368-00004	Track - Blower Dryer (Rear, R-L) (FT900D & FT900SD).....	1
48	00-918368-00005	Track - Blower Dryer (Rear, L-R) (FT900D & FT900SD).....	1
49	00-748001-00001	Track Assy. (Front, R-L, 66 In.) (Split Door) (FT900 & FT900S).....	1
50	00-748001-00002	Track Assy. (Front, L-R, 66 In.) (Split Door) (FT900 & FT900S).....	1
51	00-748001-00003	NLA - Obsolete--Track Assy. (Front, R-L) (Split Door) (FT900D & FT900SD).....	1
52	00-748001-00004	NLA - Obsolete--Track Assy. (Front, L-R) (Split Door) (FT900D & FT900SD).....	1
53	00-748315	Guide - Deflector (Dryer, Rear) (FT900 & FT900S).....	1
54	00-893812	Guide - Deflector (Dryer, Rear) (FT900D & FT900SD).....	1
55	00-476579	Deflector Assy. - Dryer (FT900 & FT900S).....	2
56	00-748323	Stop - Deflector.....	2
57	00-748314	Guide - Deflector (Dryer, Front) (FT900 & FT900S).....	1
58	00-893811	Guide - Deflector (Dryer, Front) (FT900D & FT900SD).....	1
59	00-893864	Deflector - Dryer (FT900D & FT900SD).....	1
60	00-109920	Label - Short Curtain.....	1



FULL DOOR LATCH

FULL DOOR LATCH

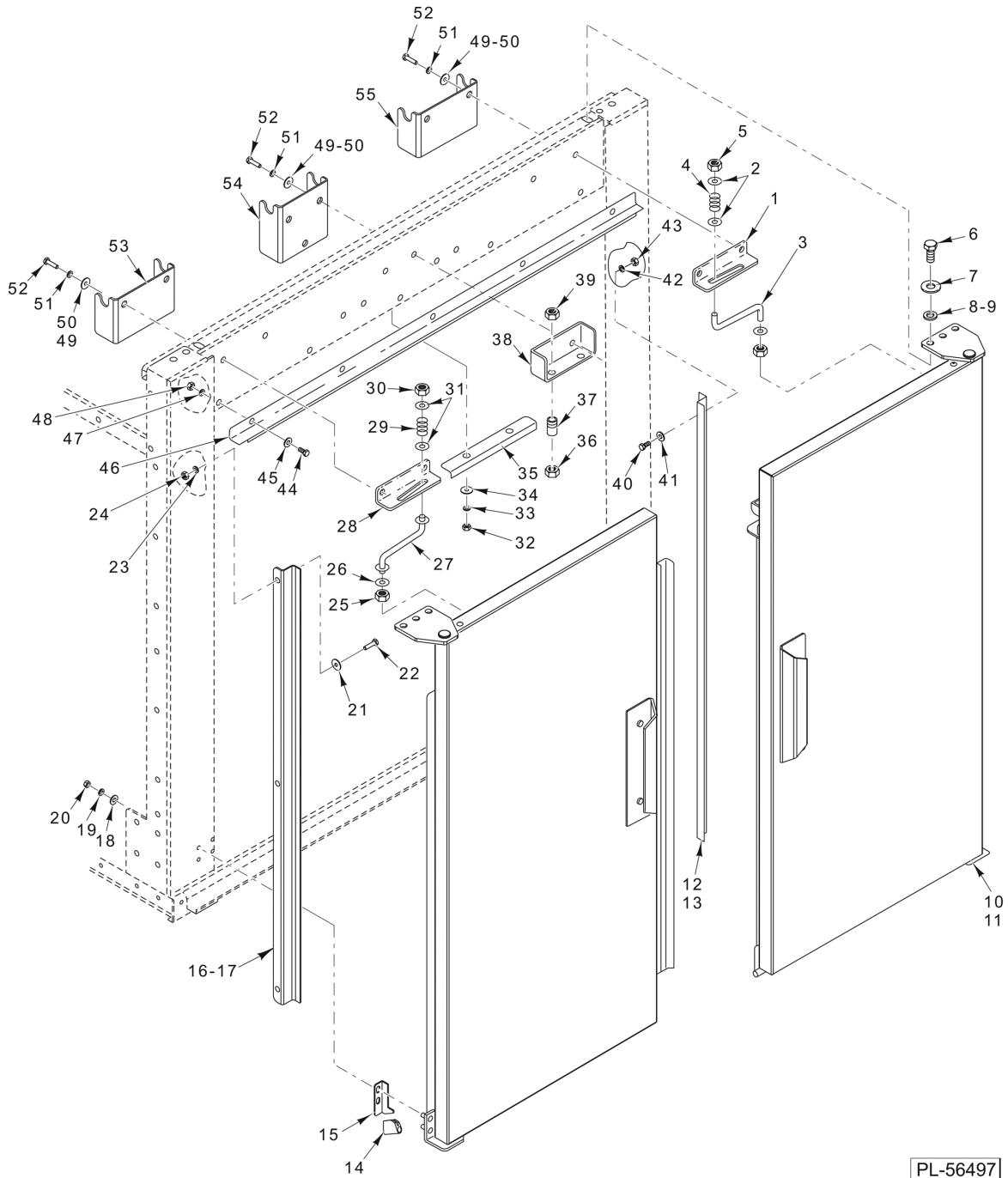
ILLUS.	PART NO.	NAME OF PART	AMT.
PL-60263			
1	NS-036-19	Stop Nut 5/16-18 Hex (SST).....	1
2	SC-041-50	Cap Screw 1/4-20 x 1/2 Hex Hd. (SST).....	2
3	00-918035	Spring.....	1
4	00-918030	Tube - Spring Pretension.....	1
5	00-918019	Latch Assy.....	1
6	SC-041-50	Cap Screw 1/4-20 x 1/2 Hex Hd. (SST).....	2
7	00-918031	Plate - Latch.....	1
8	WL-006-17	Lockwasher 1/4 Helical (SST).....	2
9	NS-015-01	Nut 1/4-20 Hex (SST).....	2
10	NS-015-01	Nut 1/4-20 Hex (SST).....	2
11	WL-006-17	Lockwasher 1/4 Helical (SST).....	2
12	00-918024	Plate - Hinge.....	1
13	00-918048	Kit - Service Latch (Incls. Items 1 thru 12).....	1



**HINGED DOORS
(BLOWER DRYER)**

HINGED DOORS (BLOWER DRYER)

ILLUS. PL-56492	PART NO.	NAME OF PART	AMT.
1	00-892184	Plate - Top Hinge Weldment.....	2
2	00-892210	Bearing - Door Hinge.....	2
3	00-892229-00002	Door Assy. (RH) (Standard Height) (Incls. Items 5, 6, 7, 11 thru 14, 27, 28, 30 thru 34, 36 thru 42, & 44 thru 47).....	1
4	00-892361-00002	Door Assy. (RH) (6 In. Higher Than Standard) (Incls. Items 5, 6, 7, 11 thru 14, 27, 28, 30 thru 33, 35 thru 42, & 44 thru 47).....	1
5	00-892214	Handle - Door.....	2
6	SC-041-05	Cap Screw 1/4-20 x 5/8 Hex Hd. (SST).....	4
7	00-892210	Bearing - Door Hinge.....	2
8	00-892185	Bracket - Bottom Hinge Weldment.....	2
9	00-892230-00002	Door Assy. (LH) (Standard Height) (Incls. Items 5, 6, 7, 15 thru 18, 20, 21, 22, 24, 26 thru 29, 31, 32, 33, 39 thru 43, 45, 46, & 47).....	1
10	00-892362-00002	Door Assy. (LH) (6 In. Higher Than Standard) (Incls. Items 5, 6, 7, 14, 16 thru 19, 21, 22, 23, 25, 27, 28, 29, 31, 32, 33, 39 thru 42, 45, 46, & 47).....	1
11	WS-003-47	Washer (SST).....	AR
12	WL-006-17	Lockwasher 1/4 Helical (SST).....	AR
13	SC-041-01	Cap Screw 1/4-20 x 3/4 Hex Hd. (SST).....	AR
14	00-892196-00001	Deflector - Door Side (Standard Height).....	2
15	00-892196-00002	Deflector - Door Side (6 In. Higher Than Standard).....	2
16	WS-003-47	Washer (SST).....	AR
17	WL-006-17	Lockwasher 1/4 Helical (SST).....	AR
18	SC-041-01	Cap Screw 1/4-20 x 3/4 Hex Hd. (SST).....	AR
19	00-892215-00001	Gasket - Door Vertical (Standard Height).....	1
20	00-892215-00002	Gasket - Door Vertical (6 In. Higher Than Standard).....	1
21	WS-019-20	Washer 0.219 x 0.375 x 0.031 (SST).....	3
22	NS-031-15	Stop Nut 10-24 Hex (SST).....	3
23	00-892588-00001	Overlap - Door Weldment (Standard Height).....	1
24	00-892588-00002	Overlap - Door Weldment (6 In. Higher Than Standard).....	1
25	00-892585-00001	Retainer - Door Seal (Standard Height).....	1
26	00-892585-00002	Retainer - Door Seal (6 In. Higher Than Standard).....	1
27	00-892211-00002	Gasket - Lower Door.....	2
28	00-892213-00002	Plate - Lower Seal Spacer.....	2
29	00-892199-00002	Seal - Lower Door (LH).....	1
30	00-892200-00002	Seal - Lower Door (RH).....	1
31	WS-003-47	Washer (SST).....	10
32	WL-006-17	Lockwasher 1/4 Helical (SST).....	10
33	SC-041-02	Cap Screw 1/4-20 x 1 Hex Hd. (SST).....	10
34	00-892198-00001	Seal - Door Overlap (Standard Height).....	1
35	00-892198-00002	Seal - Door Overlap (6 In. Higher Than Standard).....	1
36	WS-003-47	Washer (SST).....	AR
37	WL-006-17	Lockwasher 1/4 Helical (SST).....	AR
38	SC-041-01	Cap Screw 1/4-20 x 3/4 Hex Hd. (SST).....	AR
39	00-892189-00002	Bracket - Upper Door Seal.....	2
40	WS-017-06	Washer (SST).....	4
41	WL-006-17	Lockwasher 1/4 Helical (SST).....	4
42	SC-041-01	Cap Screw 1/4-20 x 3/4 Hex Hd. (SST).....	4
43	00-892231-00001	Bracket - Door Catch (LH).....	1
44	00-892231-00002	Bracket - Door Catch (RH).....	1
45	WS-017-06	Washer (SST).....	6
46	WL-006-17	Lockwasher 1/4 Helical (SST).....	6
47	SC-041-01	Cap Screw 1/4-20 x 3/4 Hex Hd. (SST).....	6

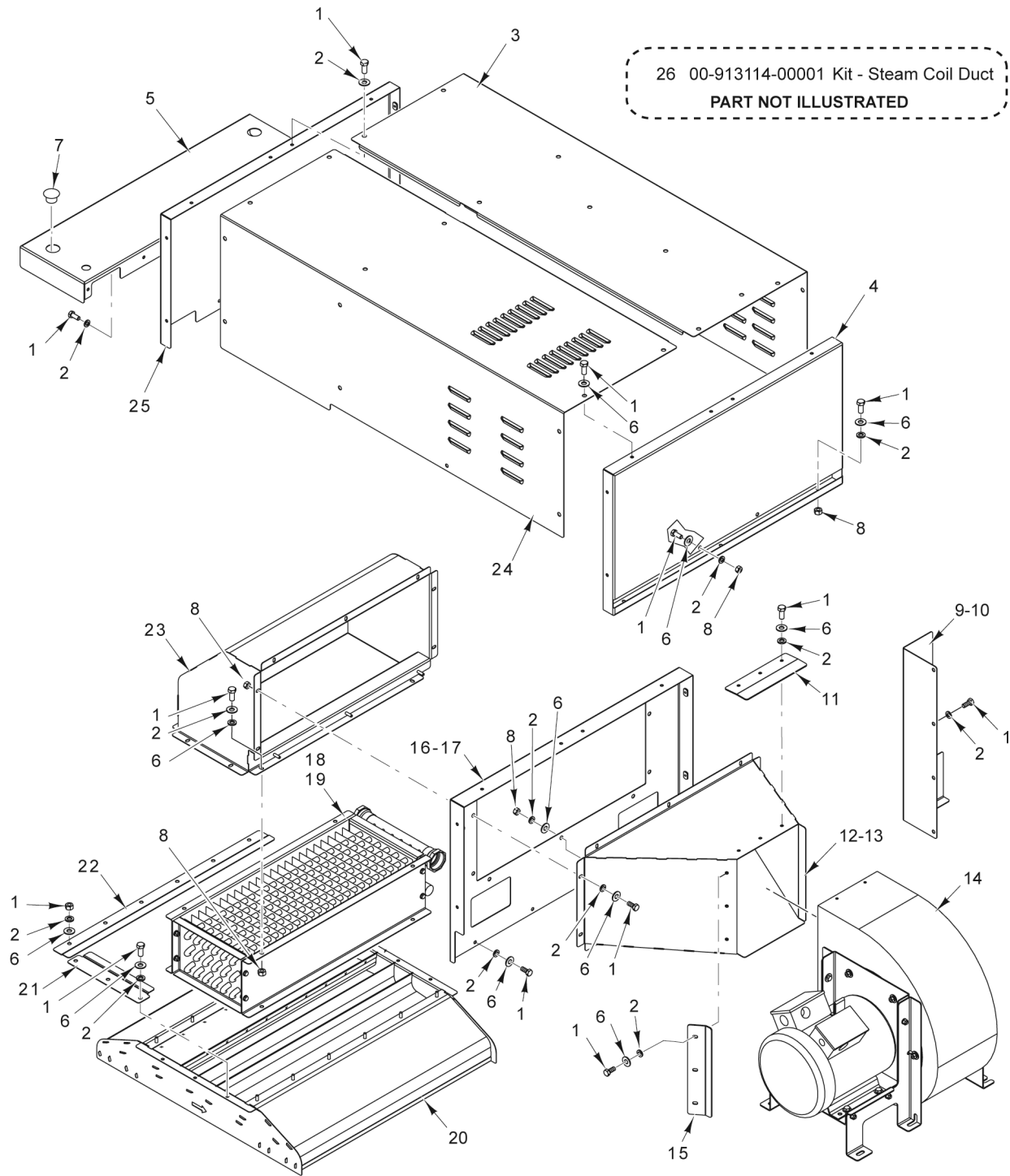


PL-56497

**HINGED DOOR ATTACHMENT
(BLOWER DRYER)**

HINGED DOOR ATTACHMENT (BLOWER DRYER)

ILLUS.	PART NO.	NAME OF PART	AMT.
	PL-56497		
1	00-892208	Bracket - Slide Door Stop (RH).....	1
2	WS-017-01	Washer 0.328 x 0.875 x 0.062 (SST).....	3
3	00-892207-00002	Rod - Door Stop Weldment.....	1
4	SL-005-14	Spring - Loading.....	1
5	NS-031-29	Stop Nut 5/16-18 Hex (SST).....	2
6	SC-041-17	Cap Screw 5/16-18 x 1-1/2 Hex Hd. (SST).....	6
7	WS-017-01	Washer 0.328 x 0.875 x 0.062 (SST).....	12
8	WL-006-23	Lockwasher 5/16 Helical (SST).....	6
9	NS-015-11	Nut 5/16-18 Hex (SST).....	6
10	00-892497	Gasket - Lower Door (Corner).....	1
11	00-892436-00001	Seal - Chamber Opening (Lower RH).....	1
12	00-892190-00001	Bracket - Seal (Chamber Opening) (Standard Height).....	1
13	00-892190-00002	Bracket - Seal (Chamber Opening) (6 In. Higher Than Standard).....	1
14	00-892497	Gasket - Lower Door (Corner).....	1
15	00-892436-00002	Seal - Chamber Opening (Lower LH).....	1
16	00-892190-00001	Bracket - Seal (Chamber Opening) (Standard Height).....	1
17	00-892190-00002	Bracket - Seal (Chamber Opening) (6 In. Higher Than Standard).....	1
18	WS-017-06	Washer (SST).....	8
19	WL-006-17	Lockwasher 1/4 Helical (SST).....	8
20	NS-015-01	Nut 1/4-20 Hex (SST).....	8
21	WS-017-06	Washer (SST).....	3
22	SC-041-05	Cap Screw 1/4-20 x 5/8 Hex Hd. (SST).....	3
23	WL-006-17	Lockwasher 1/4 Helical (SST).....	3
24	NS-015-01	Nut 1/4-20 Hex (SST).....	3
25	NS-031-29	Stop Nut 5/16-18 Hex (SST).....	2
26	WS-017-01	Washer 0.328 x 0.875 x 0.062 (SST).....	3
27	00-892207-00002	Rod - Door Stop Weldment.....	1
28	00-892208-00002	Bracket - Slide Door Stop (LH).....	1
29	SL-005-14	Spring - Loading.....	1
30	NS-031-29	Stop Nut 5/16-18 Hex (SST).....	2
31	WS-017-01	Washer 0.328 x 0.875 x 0.062 (SST).....	2
32	NS-015-01	Nut 1/4-20 Hex (SST).....	2
33	WL-006-17	Lockwasher 1/4 Helical (SST).....	2
34	WS-017-06	Washer (SST).....	2
35	00-892589	Deflector - Chamber Top.....	1
36	NS-048-84	Jam Nut M12 x 1-3/4 Hex (SST).....	2
37	00-814046	Door - Catch.....	2
38	00-892195	Support - Door Catch.....	1
39	NS-048-84	Jam Nut M12 x 1-3/4 Hex (SST).....	2
40	SC-041-05	Cap Screw 1/4-20 x 5/8 Hex Hd. (SST).....	3
41	WS-017-06	Washer (SST).....	3
42	WL-006-17	Lockwasher 1/4 Helical (SST).....	3
43	NS-015-01	Nut 1/4-20 Hex (SST).....	3
44	SC-041-05	Cap Screw 1/4-20 x 5/8 Hex Hd. (SST).....	5
45	WS-017-06	Washer (SST).....	5
46	00-892188-00001	Bracket - Seal.....	1
47	WL-006-17	Lockwasher 1/4 Helical (SST).....	5
48	NS-015-01	Nut 1/4-20 Hex (SST).....	5
49	WL-006-23	Lockwasher 5/16 Helical (SST).....	AR
50	NS-015-11	Nut 5/16-18 Hex (SST).....	AR
51	WS-017-01	Washer 0.328 x 0.875 x 0.062 (SST).....	AR
52	SC-041-11	Cap Screw 5/16-18 x 3/4 Hex Hd. (SST).....	AR
53	00-892209	Plate - Door Stop Reinforcement.....	1
54	00-892204	Latch - Reinforcement (Chamber).....	1
55	00-892209	Plate - Door Stop Reinforcement.....	1

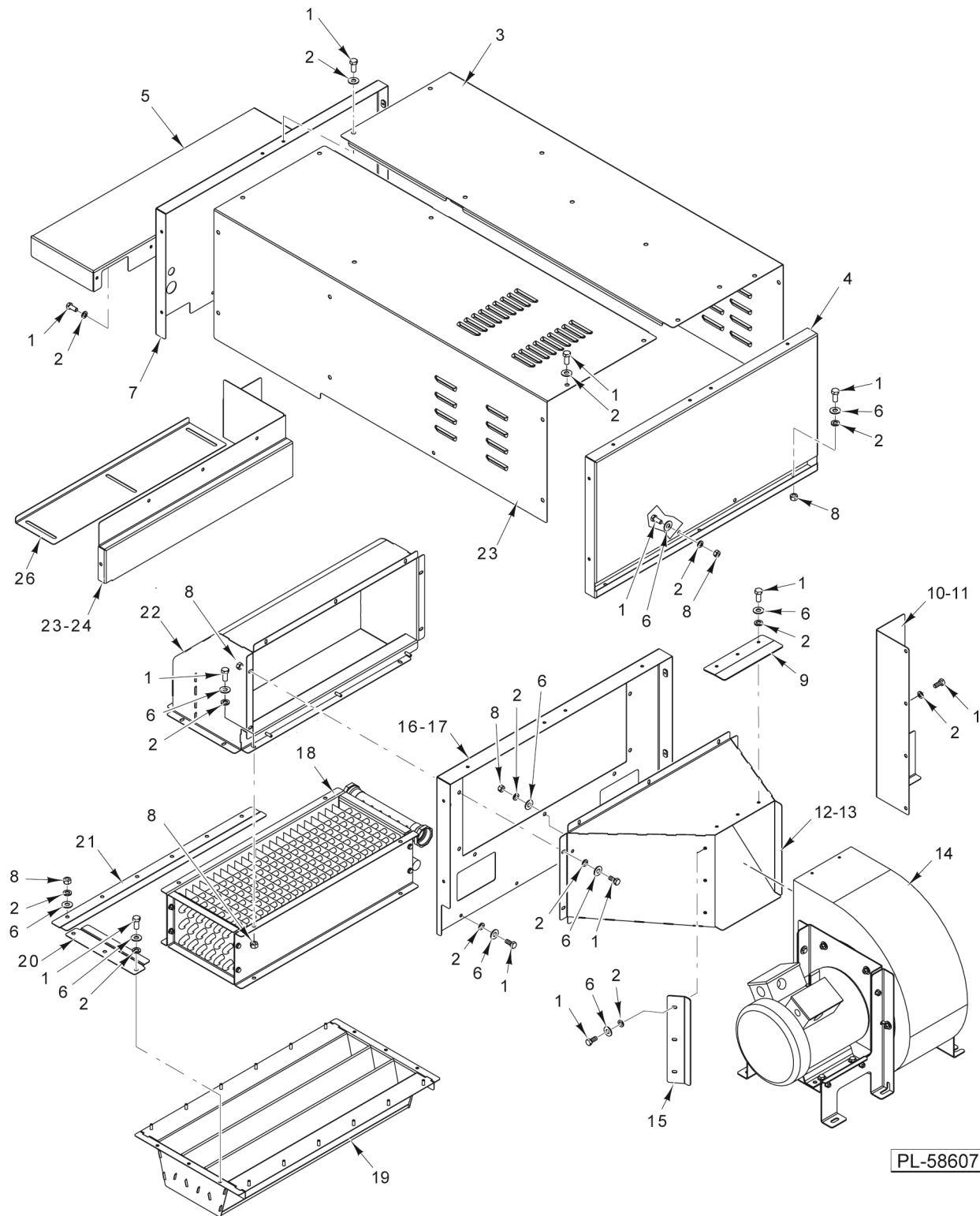


PL-56491

**LOW PROFILE BLOWER DRYER
(FT900 AND FT900S)**

**LOW PROFILE BLOWER DRYER
(FT900 AND FT900S)**

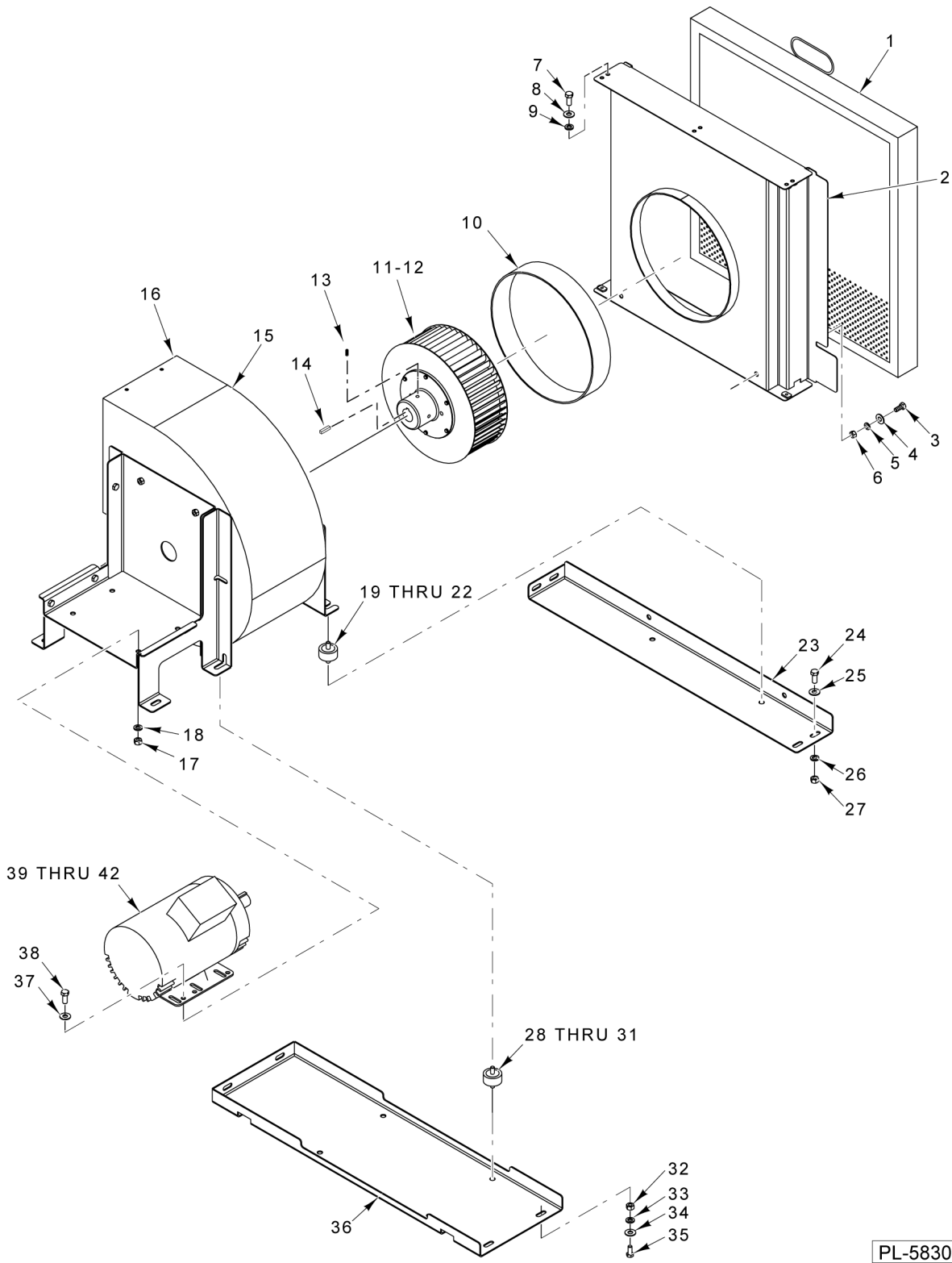
ILLUS. PL-56491	PART NO.	NAME OF PART	AMT.
1	SC-041-05	Cap Screw 1/4-20 x 5/8 Hex Hd. (SST).....	AR
2	WL-006-17	Lockwasher 1/4 Helical (SST).....	AR
3	00-892431	Cover - Dryer Inlet Side.....	1
4	00-892429	Panel - Exit Support.....	1
5	00-892427	Cover - Top Inlet.....	1
6	WS-017-06	Washer (SST).....	AR
7	PB-004-08	Plug Button Heyco 2703.....	AR
8	NS-015-01	Nut 1/4-20 Hex (SST).....	AR
9	00-892409-00001	Baffle - Chamber Inlet (L-R).....	1
10	00-892409-00002	Baffle - Chamber Inlet (R-L).....	1
11	00-892425	Bracket - Duct Top.....	1
12	00-892415	Transition Wldmt. - Blower (L-R).....	1
13	00-892420	Transition Wldmt. - Blower (R-L).....	1
14		Motor - Blower (See Blower Motor-Low Profile).....	1
15	00-892426	Bracket - Duct Side.....	1
16	00-892410-00001	Support Duct - Dryer L-R.....	1
17	00-892410-00002	Support Duct - Dryer R-L.....	1
18	00-941505	Duct - Blower.....	1
19	00-941472	Coil Assy. - Steam Heat BD.....	1
20	00-748698	Plenum.....	1
21	00-748129	Retainer - Offset (Heat Box).....	2
22	00-476680	Bracket - Offset Retainer.....	1
23	00-892411	Duct - Blower Weldment.....	1
24	00-892430	Cover - Dryer (Blower Side) (L-R Front; R-L Rear).....	1
25	00-936442	Panel - Inlet Support.....	1
26	00-913114-00001	Kit - Steam Coil Duct (FT900/S) (Incls. Items 18 &19).....	1



**LOW PROFILE BLOWER DRYER
(FT900D AND FT900SD)**

**LOW PROFILE BLOWER DRYER
(FT900D AND FT900SD)**

ILLUS. PL-58607	PART NO.	NAME OF PART	AMT.
1	SC-041-05	Cap Screw 1/4-20 x 5/8 Hex Hd. (SST).....	15
2	WL-006-17	Lockwasher 1/4 Helical (SST).....	15
3	00-892431	Cover - Dryer Inlet Side.....	1
4	00-892429	Panel - Exit Support.....	1
5	00-893776	Cover - Top Inlet.....	1
6	WS-017-06	Washer (SST).....	2
7	00-936442	Panel - Inlet Support.....	1
8	NS-015-01	Nut 1/4-20 Hex (SST).....	2
9	00-892425	Bracket - Duct Top.....	1
10	00-892409-00001	Baffle - Chamber Inlet L-R.....	1
11	00-892409-00002	Baffle - Chamber Inlet R-L.....	1
12	00-892415	Transition Wldmt. - Blower L-R.....	1
13	00-892420	Transition Wldmt. - Blower R-L.....	1
14		Motor - Blower (See Blower Motor-Low Profile) (L-R).....	1
15	00-892426	Bracket - Duct Side.....	1
16	00-892410-00001	Support Duct - Dryer L-R.....	1
17	00-892410-00002	Support Duct - Dryer R-L.....	1
18	00-913114-00002	Kit - Steam Coil Duct (FT900D/SD).....	1
19	00-893785	Plenum.....	1
20	00-748129	Retainer - Offset Heat Box.....	2
21	00-476680	Bracket - Offset Retainer.....	1
22	00-893847	Duct - Blower.....	1
23	00-892430	Cover - Dryer (Blower Side).....	1
24	00-893772-00002	Support - Upright Bracket (R-L).....	1
25	00-893772-00001	Support - Upright Bracket (L-R).....	1
26	00-893764	Plate - Damper.....	1

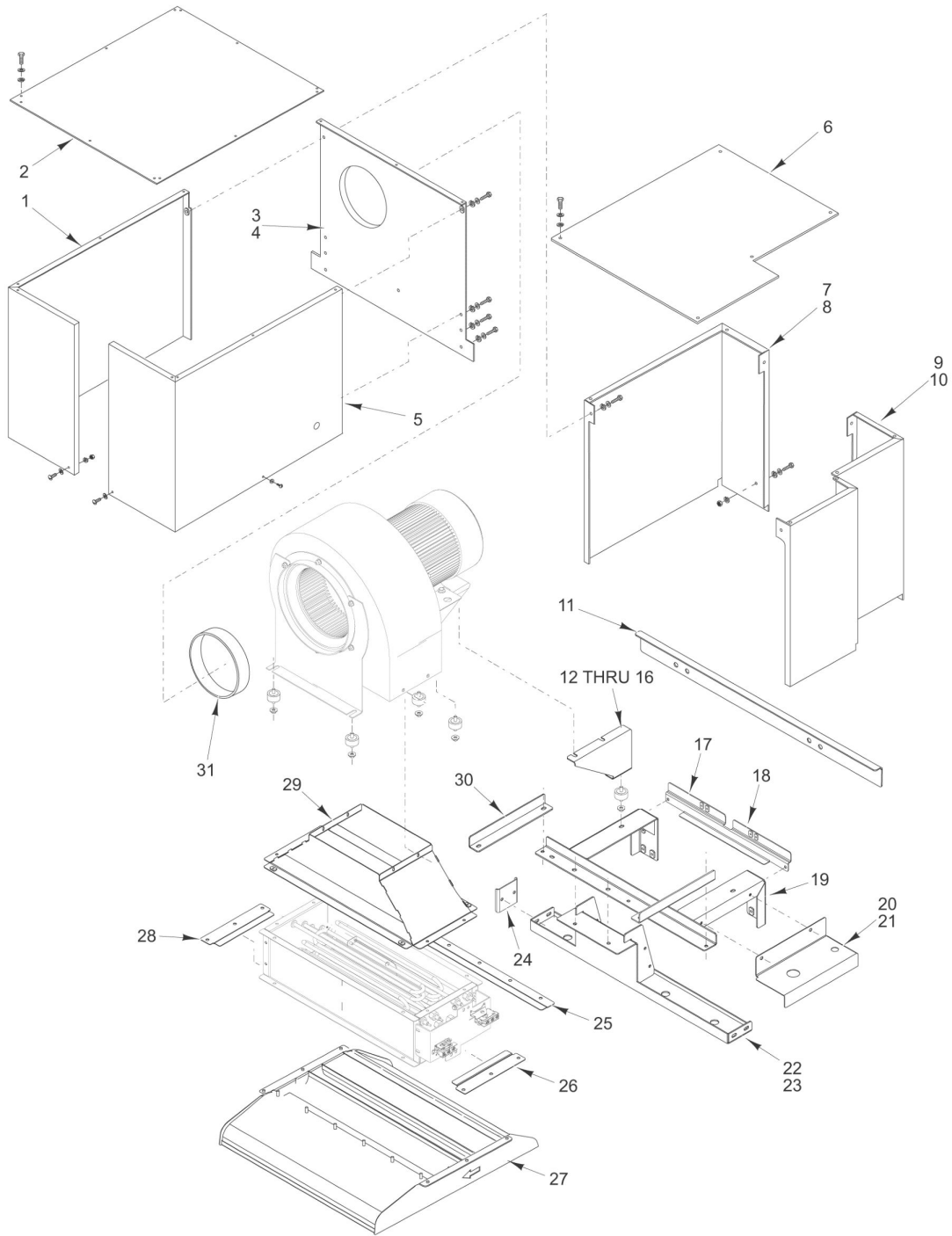


PL-58301

**BLOWER MOTOR
(LOW PROFILE)**

**BLOWER MOTOR
(LOW PROFILE)**

ILLUS. PL-58301	PART NO.	NAME OF PART	AMT.
1	00-749224	Filter - Dryer (Steam Blower Dryer Only).....	1
2	00-892406	Inlet Weldment - Blower.....	1
3	SC-041-11	Cap Screw 5/16-18 x 3/4 Hex Hd. (SST).....	2
4	WS-017-01	Washer 0.328 x 0.875 x 0.062 (SST).....	2
5	WL-006-23	Lockwasher 5/16 Helical (SST).....	2
6	NS-015-11	Nut 5/16-18 Hex (SST).....	2
7	SC-041-05	Cap Screw 1/4-20 x 5/8 Hex Hd. (SST).....	3
8	WS-017-06	Washer (SST).....	3
9	WL-006-17	Lockwasher 1/4 Helical (SST).....	3
10	00-289741	Seal - Fan.....	1
11	00-748050-00004	Impeller - Blower (60 Hz.) (Electric Heat).....	1
12	00-748050-00003	Impeller - Blower (50/60 Hz., Steam Heat) (50 Hz., Electric Heat).....	1
13	SC-046-59	Set Screw 5/16-18 x 1/2 Slotted Hdls., Cup Pt.....	2
14	00-012430-00173	Key 1/4 Sq. x 2-1/4 Lg.....	1
15	00-892590	Housing - Blower Assy. (Incls. Item 16).....	1
16	00-748050-00001	Housing Assy. - Blower.....	1
17	NS-015-13	Nut 3/8-16 Hex (SST).....	4
18	WL-006-28	Lockwasher 3/8 Helical.....	4
19	00-748021-00001	Bushing - Blower/Dryer.....	2
20	WS-017-01	Washer 0.328 x 0.875 x 0.062 (SST).....	2
21	WL-006-23	Lockwasher 5/16 Helical (SST).....	2
22	NS-015-01	Nut 1/4-20 Hex (SST).....	2
23	00-892396	Support Frame - Blower Front.....	1
24	SC-041-11	Cap Screw 5/16-18 x 3/4 Hex Hd. (SST).....	4
25	WS-017-01	Washer 0.328 x 0.875 x 0.062 (SST).....	8
26	WL-006-23	Lockwasher 5/16 Helical (SST).....	4
27	NS-015-11	Nut 5/16-18 Hex (SST).....	4
28	00-748021-00001	Bushing - Blower/Dryer.....	4
29	WS-017-01	Washer 0.328 x 0.875 x 0.062 (SST).....	4
30	WL-006-23	Lockwasher 5/16 Helical (SST).....	4
31	NS-015-11	Nut 5/16-18 Hex (SST).....	4
32	NS-015-11	Nut 5/16-18 Hex (SST).....	4
33	WL-006-23	Lockwasher 5/16 Helical (SST).....	4
34	WS-017-01	Washer 0.328 x 0.875 x 0.062 (SST).....	8
35	SC-041-11	Cap Screw 5/16-18 x 3/4 Hex Hd. (SST).....	4
36	00-892397	Support Frame - Blower Rear.....	1
37	WS-006-44	Washer (SST).....	4
38	SC-041-29	Cap Screw 3/8-16 x 7/8 Hex Hd. (SST).....	4
39	00-892800-00001	Motor - Blower (200-230/460/60/3) (2 Hp.).....	1
40	00-892800-00002	Motor - Blower (200-240/380-415/50/3) (2 Hp.).....	1
41	00-892800-00003	Motor - Blower (600/60/3) (2 Hp.).....	1
42	00-892800-00004	Motor - Blower (380/60/3) (2 Hp.).....	1

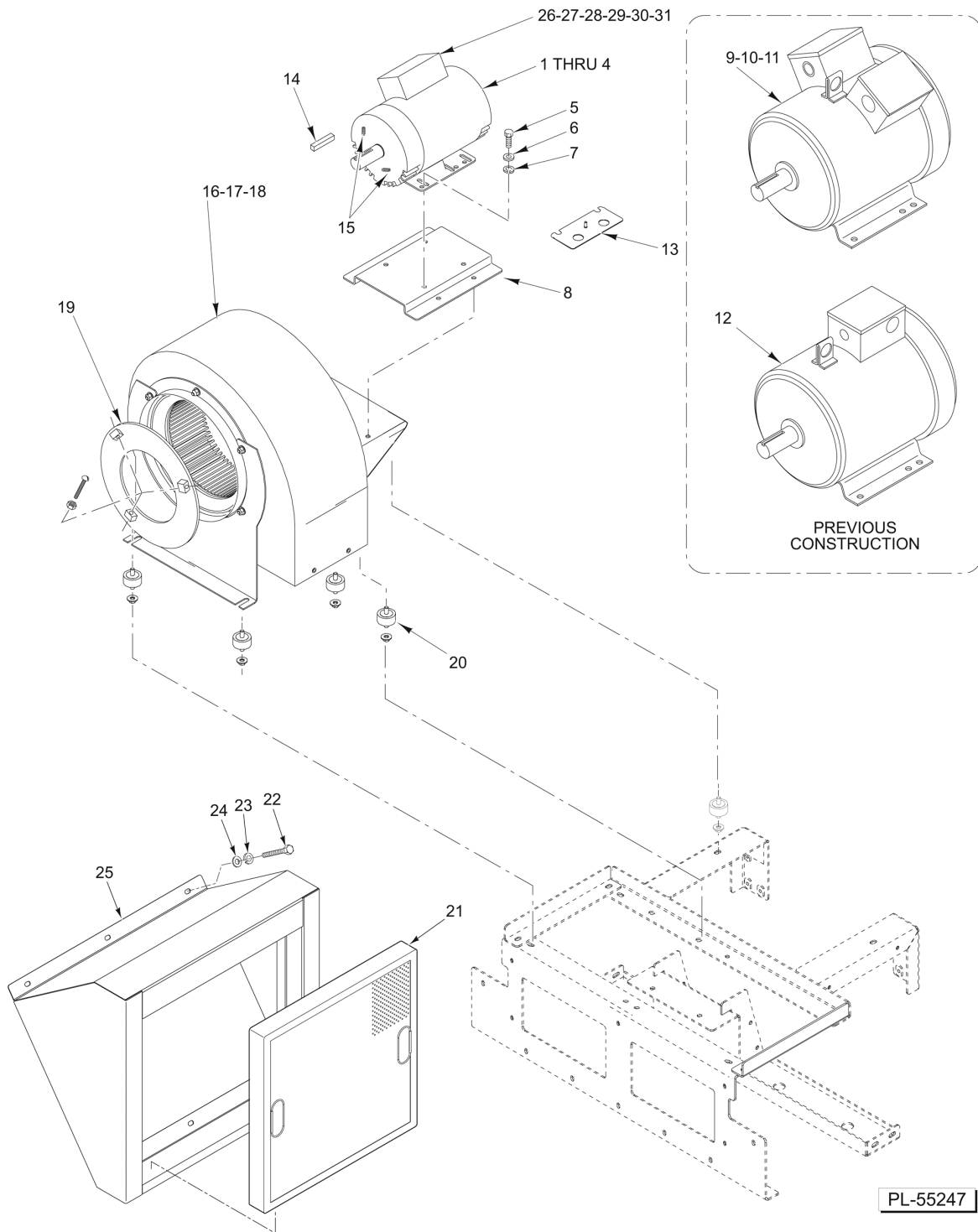


PL-58039

**BLOWER DRYER UNIT
(PREVIOUS CONSTRUCTION)**

**BLOWER DRYER UNIT
(PREVIOUS CONSTRUCTION)**

ILLUS.	PART NO.	NAME OF PART	AMT.
PL-58039			
1	00-476261-00001	Panel - Cover (R-L Rear) (L-R Front) (Previous Construction).....	1
2	00-476235	Lid - Blower Dryer Chamber (Previous Construction).....	1
3	00-476262	Panel - Blower Intake (R-L) (Previous Construction).....	1
4	00-476262-00002	Panel - Blower Intake (L-R) (Previous Construction).....	1
5	00-476261-00002	Panel - Cover (R-L Front) (L-R Rear) (Previous Construction).....	1
6	00-748098	Cover - Dryer (Previous Construction).....	1
7	00-748097-00001	Panel - Cover (R-L Rear) (Previous Construction).....	1
8	00-748097-00002	Panel - Cover (L-R Rear) (Previous Construction).....	1
9	00-748096-00001	Panel - Cover (R-L Front) (Previous Construction).....	1
10	00-748096-00002	Panel - Cover (L-R Front) (Previous Construction).....	1
11	00-476667-00001	Bracket - Stiffener.....	1
12	00-748075	Support - Blower.....	1
13	SC-041-32	Cap Screw 3/8-16 x 1-1/2 Hex Hd. (SST).....	4
14	WS-006-44	Washer (SST).....	8
15	WL-006-28	Lockwasher 3/8 Helical.....	4
16	NS-015-13	Nut 3/8-16 Hex (SST).....	4
17	00-748082	Bracket - Dryer Cover.....	1
18	00-476307	Bracket - Side Support.....	1
19	00-476306	Frame Assy. (Blower Mounting).....	1
20	00-476308-00001	Cover - Conduit (Electric Blower Dryer, R-L).....	1
21	00-476308-00002	Cover - Conduit (Electric Blower Dryer, L-R).....	1
22	00-476661	Brace - Cross (R-L).....	1
23	00-748123	Brace - Cross (L-R).....	1
24	00-476662	Plate - Nut Brace.....	1
25	00-476680	Retainer - Offset (Heat Box, Long).....	1
26	00-748129	Retainer - Offset (Heat Box).....	1
27	00-748698	Plenum.....	1
28	00-748129	Retainer - Offset (Heat Box).....	1
29	00-476380	Chamber - Expansion.....	1
30	00-476307	Bracket - Side Support.....	1
31	00-289741	Seal - Fan.....	1

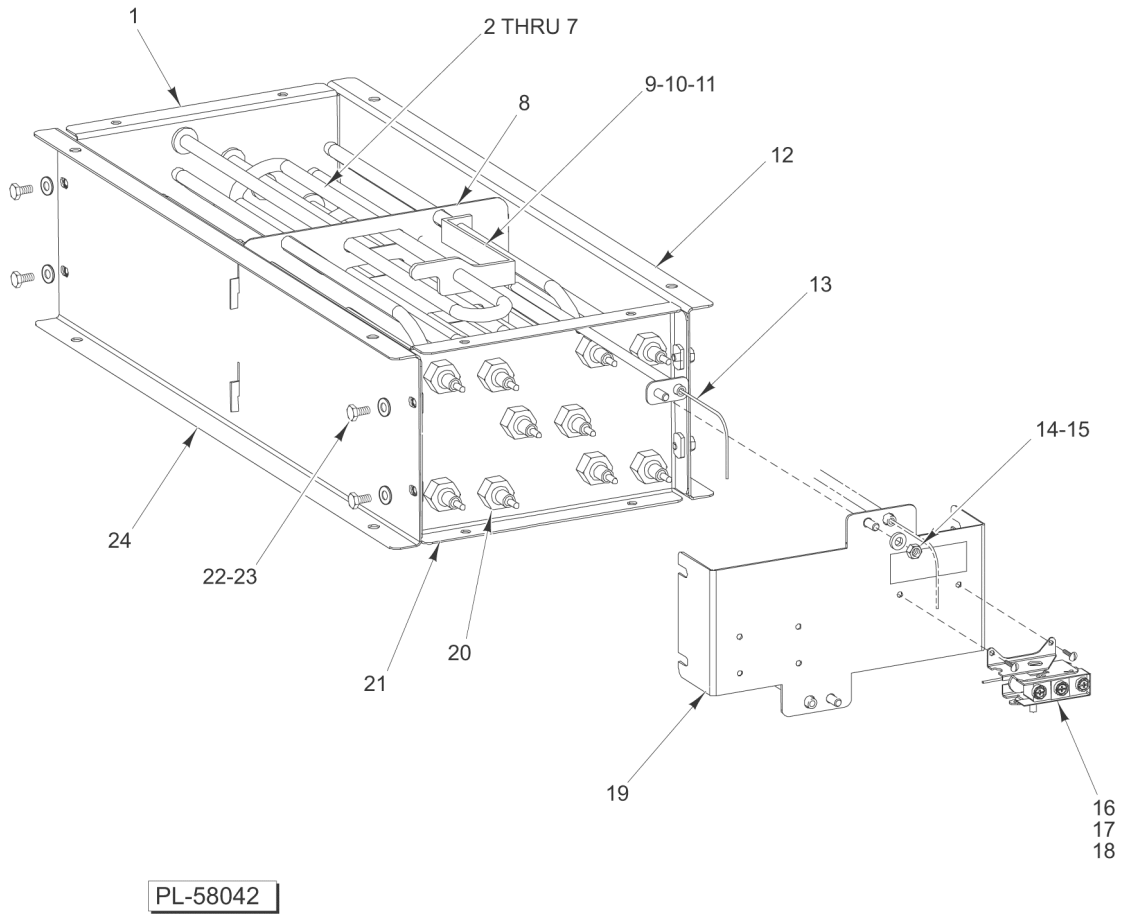


**BLOWER DRYER MOTOR AND FILTER
(PREVIOUS CONSTRUCTION)**

**BLOWER DRYER MOTOR AND FILTER
(PREVIOUS CONSTRUCTION)**

ILLUS. PL-55247	PART NO.	NAME OF PART	AMT.
1	00-892800-00001	Motor - Blower (200-230/460/60/3) (2 Hp.).....	1
2	00-892800-00002	Motor - Blower (190-240/380-480/50/3) (2 Hp.).....	1
3	00-892800-00003	Motor - Blower (575/60/3) (2 Hp.).....	1
4	00-892800-00004	Motor - Blower (380/60/3) (2 Hp.).....	1
5	SC-041-29	Cap Screw 3/8-16 x 7/8 Hex Hd. (SST) (Use With Items 1 thru 4).....	8
6	WS-006-44	Washer (SST) (Use With Items 1 thru 4).....	8
7	WL-006-28	Lockwasher 3/8 Helical (Use With Items 1 thru 4).....	8
8	00-892797	Bracket - Motor Support.....	AR
*9		Motor - Blower (208-230/460/60/3) (3 Hp.) (Previous Construction).....	1
*10		Motor - Blower (200-240/380-415/50/3) (3 Hp.) (Previous Construction).....	1
*11		Motor - Blower (380/60/3) (3 Hp.) (Previous Construction).....	1
*12		Motor - Blower (575/60/3) (3 Hp.) (Previous Construction).....	1
13	00-748246	Bracket - Cord.....	1
14	00-012430-00173	Key 1/4 Sq. x 2-1/4 Lg.....	1
15	SC-047-35	Set Screw 5/16-18 x 1/2 Hdls., Cup Pt.....	2
16	00-748050-00002	Blower Housing Assy.....	1
17	00-748050-00003	Blower Impeller (Steam).....	1
18	00-748050-00004	Blower Impeller (Electric).....	1
19	00-748747	Plate - Orifice.....	1
20	00-748021-00001	Bushing - Blower/Dryer.....	5
21	00-749224	Filter - Dryer.....	1
22	SC-041-10	Cap Screw 5/16-18 x 5/8 Hex Hd. (SST).....	6
23	WL-006-23	Lockwasher 5/16 Helical (SST).....	6
24	WS-017-01	Washer 0.328 x 0.875 x 0.062 (SST).....	6
25	00-749061	Housing - Filter Weldment.....	1
26	00-476742-00005	Cable Assy. (Blower Dryer Motor).....	1
27	00-476745-00020	Cable Assy. (Blower Dryer Motor Overload).....	1
28	FE-022-84	Connector - Strain Relief.....	2
29	FE-024-88	Lock Nut 1/2 Electrical.....	2
30	FE-024-59	Connector Straight (Non-Metallic) Sealtite (1 Male).....	1
31	FE-024-63	Connector 45 Deg. (Non-Metallic) Sealtite (1 Male).....	1

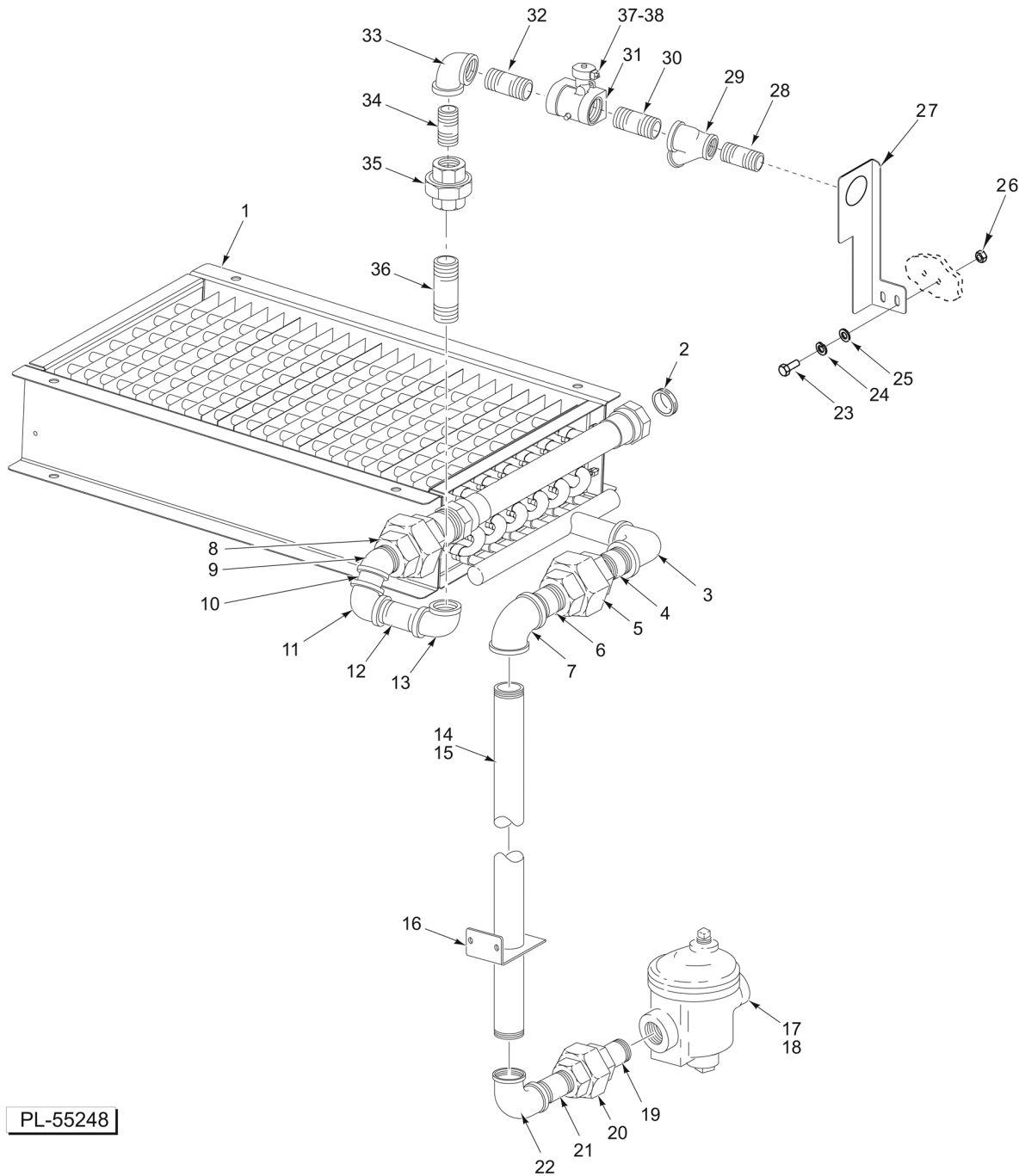
* Obsolete Part. for Replacement, Use Items 1 thru 8.



**HEATER
(ELECTRIC DRYER)
(PREVIOUS CONSTRUCTION)**

**HEATER
(ELECTRIC DRYER)
(PREVIOUS CONSTRUCTION)**

ILLUS. PL-58042	PART NO.	NAME OF PART	AMT.
1	00-476244	Bracket - Mounting (4 Element).....	1
2	00-289745-00001	Heater - Air (200/60/3).....	AR
3	00-289745-00002	Heater - Air (230/60/3).....	AR
4	00-289745-00003	Heater - Air (460/60/3).....	AR
5	00-289745-00004	Heater - Air (600 V.).....	AR
6	00-289745-00005	Heater - Air (380 V.).....	AR
7	00-289745-00006	Heater - Air (415 V.).....	AR
8	00-476381	Plate - Element Spacer.....	1
9	00-749619	Bracket - Spacer Capillary Tube.....	1
10	00-074348	Speed Nut 10-24.....	1
11	SC-053-02	Mach. Screw 10-24 x 1/2 Slotted Truss Hd. (SST).....	1
12	00-476255-00001	Bracket - Side Mounting.....	1
13	00-748108-00001	Tube - Thermostat.....	2
14	WL-006-17	Lockwasher 1/4 Helical (SST).....	1
15	NS-015-01	Nut 1/4-20 Hex (SST).....	1
16	00-294681-026-1	Thermostat - Electric Blower Dryer.....	1
17	SC-021-08	Mach. Screw 6-32 x 3/8 Slotted Rd. Hd. (SST).....	2
18	NS-031-50	Stop Nut 6-32 Hex (SST).....	2
19	00-748112	Bracket - Thermostat.....	1
20	NS-015-17	Nut 5/8-11 Hex.....	18
21	00-476243	Bracket - Mounting (5 Element).....	1
22	SC-041-50	Cap Screw 1/4-20 x 1/2 Hex Hd. (SST).....	8
23	WS-017-06	Washer (SST).....	8
24	00-476255-00001	Bracket - Side Mounting.....	1

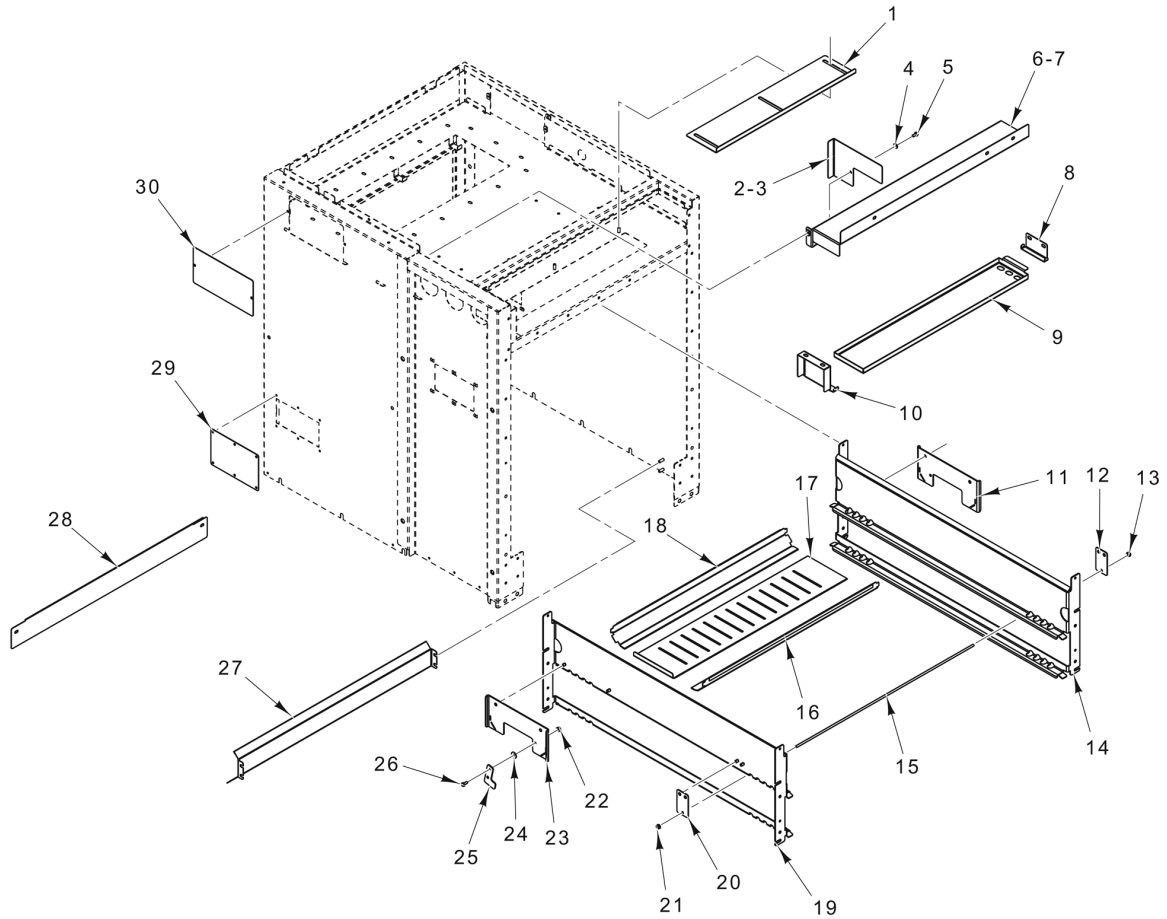


PL-55248

**HEATER
(STEAM DRYER)
(PREVIOUS CONSTRUCTION)**

**HEATER
(STEAM DRYER)
(PREVIOUS CONSTRUCTION)**

ILLUS. PL-55248	PART NO.	NAME OF PART	AMT.
1	00-476294	Coil Assy. - Steam Heat.....	1
2	FP-089-04	Plug - Pipe 1-1/2.....	1
3	FP-013-27	Elbow - Pipe 1 x 90 Deg.....	1
4	FP-059-41	Pipe 1 x 1-3/4 TBE.....	1
5	FP-022-23	Union - Pipe (1 In.).....	1
6	FP-059-41	Pipe 1 x 1-3/4 TBE.....	1
7	FP-013-27	Elbow - Pipe 1 x 90 Deg.....	1
8	FP-088-94	Union - Pipe (1-1/2 In., NPT) (Ground Seat).....	1
9	FP-088-92	Elbow - Pipe 1-1/2 x 45 Deg.....	1
10	FP-036-36	Pipe 1-1/2 x 2 TBE.....	1
11	FP-013-37	Elbow - Pipe 1-1/2 x 90 Deg.....	1
12	FP-067-19	Pipe 1-1/2 x 2 TBE.....	1
13	FP-013-37	Elbow - Pipe 1-1/2 x 90 Deg.....	1
14	FP-059-29	Pipe 1 x 53 TBE (Standard Height).....	1
15	FP-059-37	Pipe 1 x 59-1/2 TBE (6 In. Higher Than Standard).....	1
16	00-476679	Bracket - Pipe Holder.....	1
17	00-118316	Steam Trap (0-20 PSI).....	1
18	00-118317	Steam Trap (21-50 PSI).....	1
19	FP-036-95	Pipe 3/4 x 2 TBE.....	1
20	FP-022-17	Union 3/4 (Grd. Seat).....	1
21	FP-036-98	Pipe 3/4 x 10-1/4 TBE.....	1
22	FP-079-97	Elbow - Reducing 90 Deg. x 1 to 3/4.....	1
23	SC-041-05	Cap Screw 1/4-20 x 5/8 Hex Hd. (SST).....	2
24	WL-006-17	Lockwasher 1/4 Helical (SST).....	2
25	WS-003-47	Washer (SST).....	2
26	NS-015-01	Nut 1/4-20 Hex (SST).....	2
27	00-748767	Bracket - Dryer Valve.....	1
28	FP-036-39	Pipe 1-1/2 x 3-3/8 TBE.....	1
29	00-476876	Strainer - Line 1-1/2.....	1
30	FP-036-36	Pipe 1-1/2 x 2 TBE.....	1
31	00-476877-00001	Valve - Steam (1-1/2 In.) (125 PSI).....	1
32	FP-036-36	Pipe 1-1/2 x 2 TBE.....	1
33	FP-013-37	Elbow - Pipe 1-1/2 x 90 Deg.....	1
34	FP-036-36	Pipe 1-1/2 x 2 TBE.....	1
35	FP-022-33	Union - Pipe (1 1/2).....	1
36	FP-058-37	Pipe 1-1/2 x 4 TBE.....	1
37	00-476878	Service Kit (1-1/2 In. Valve).....	1
38	00-476757-00001	Coil - Solenoid Valve (110-120 V.).....	1

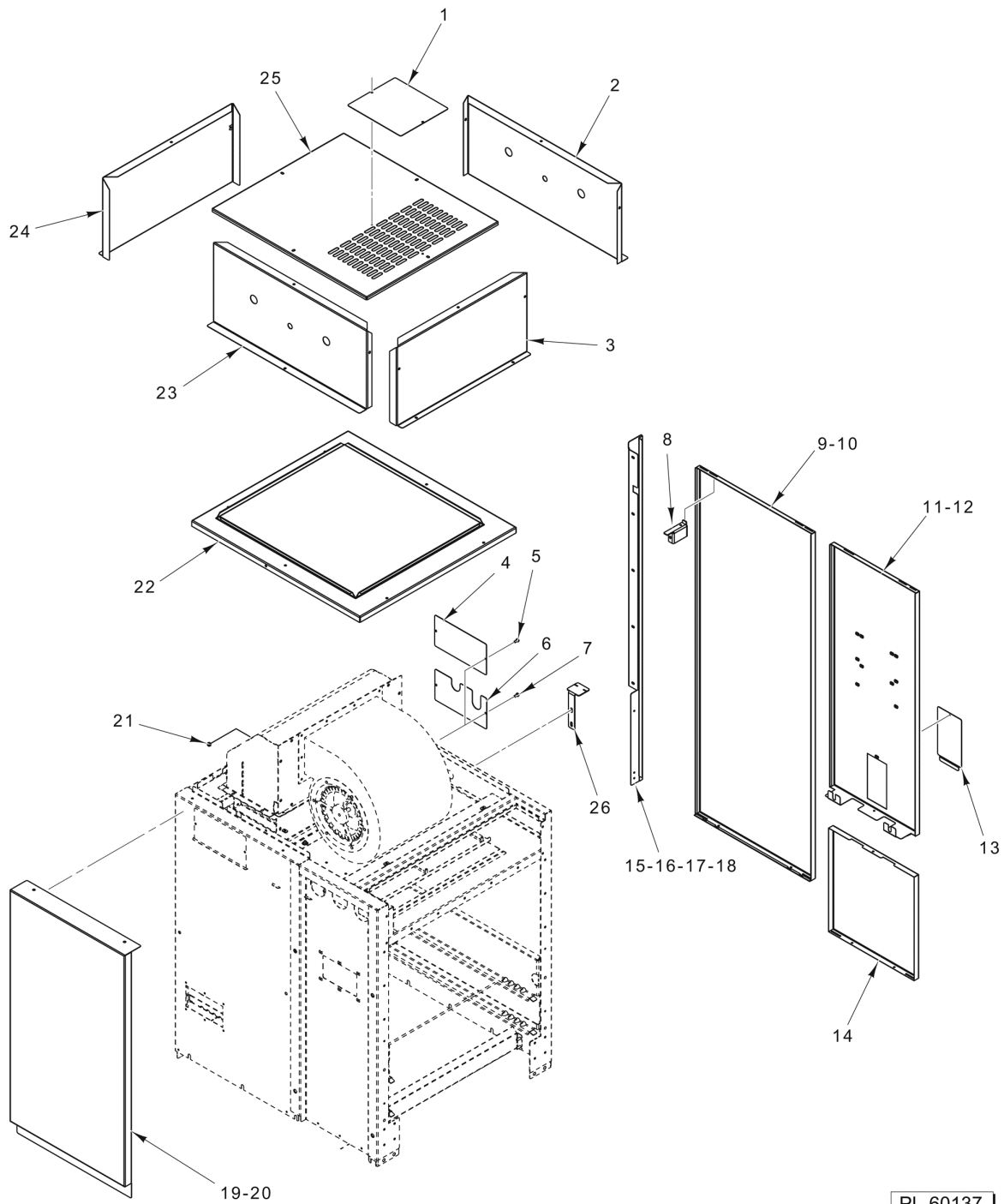


PL-60136

**BLOWER DRYER COMPARTMENT
(CURRENT CONSTRUCTION)**

**BLOWER DRYER COMPARTMENT
(CURRENT CONSTRUCTION)**

ILLUS. PL-60136	PART NO.	NAME OF PART	AMT.
1	00-893764	Plate - Damper.....	1
2	00-941935-00001	Panel - Vent (Control Box) (R-L).....	1
3	00-941935-00002	Panel - Vent (Control Box) (L-R).....	1
4	WL-017-06	Lockwasher.....	1
5	SC-041-05	Cap Screw 1/4-20 x 5/8 Hex Hd. (SST).....	1
6	00-941931-00002	Panel - Divider (R-L).....	1
7	00-941931-00001	Panel - Divider (L-R).....	1
8	00-476547	Bracket - Drip Pan (Rear).....	1
9	00-476548	Pan - Drip.....	1
10	00-476546	Bracket - Drip Pan (Front).....	1
11	00-942053	Bracket - Deflector.....	1
12	00-942112	Bracket - Pan.....	1
13	NS-036-19	Stop Nut 5/16-18 Hex (SST).....	1
14	00-942052-00003	Track - Weldment (R-L, Rear) (L-R, Front).....	1
15	00-942154	Rod.....	1
16	00-942054	Guide - Deflector.....	1
17	00-942086	Panel - Deflector.....	1
18	00-942054	Guide - Deflector.....	1
19	00-942052-00002	Track - Weldment (R-L, Front) (L-R, Rear).....	1
20	00-942112	Bracket - Pan.....	1
21	NS-036-19	Stop Nut 5/16-18 Hex (SST).....	1
22	NS-031-21	Stop Nut 1/4-20 Hex (SST).....	1
23	00-942053	Bracket - Deflector.....	1
24	WS-003-47	Washer (SST).....	1
25	00-748323	Stop - Deflector.....	1
26	SC-041-05	Cap Screw 1/4-20 x 5/8 Hex Hd. (SST).....	1
27	00-942186	Baffle - Lower (Entrance).....	1
28	00-942187	Baffle - Lower (Exit).....	1
29	00-476581	Cover - Chamber (Clean Out).....	3
30	00-942195-00002	Plate - Cover.....	1

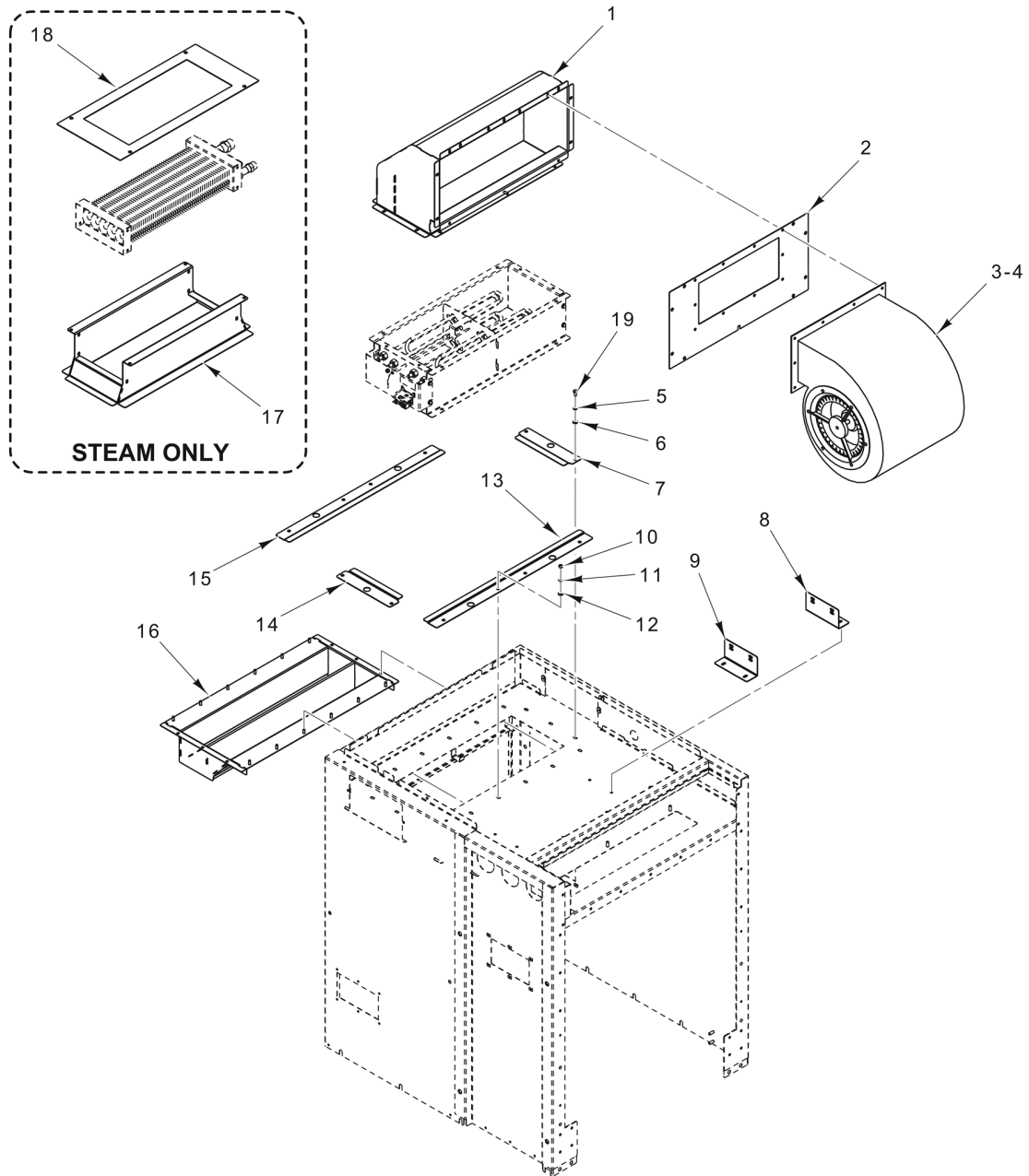


PL-60137

**BLOWER DRYER COMPARTMENT PANELS
(CURRENT CONSTRUCTION)**

**BLOWER DRYER COMPARTMENT PANELS
(CURRENT CONSTRUCTION)**

ILLUS. PL-60137	PART NO.	NAME OF PART	AMT.
1	00-947840	Plate - Cover Louver (Electric Heat Only).....	1
2	00-947851	Cover - Front/Rear Panel.....	1
3	00-947850	Cover - End Panel.....	1
4	00-942195-00002	Plate - Cover (Electric Heat Only).....	1
5	SC-041-05	Cap Screw 1/4-20 x 5/8 Hex Hd. (SST).....	2
6	00-942195-00001	Plate - Cover (Steam Heat Only).....	1
7	SC-041-05	Cap Screw 1/4-20 x 5/8 Hex Hd. (SST).....	2
8	00-941455	Bracket - Panel Support.....	4
9	00-942118-00001	Panel - Rear Cover (Standard).....	1
10	00-942118-00002	Panel - Rear Cover (6 In. HTS).....	1
11	00-941468-00001	Panel - Rear Dispenser Cover (Standard).....	1
12	00-941468-00002	Panel - Rear Dispenser Cover (6 In. HTS).....	1
13	00-476353	Cover - Hole (Detergent).....	1
14	00-476358	Panel - Rear (Lower).....	1
15	00-476499-00002	Support - End Panel (Standard) (R-L).....	1
16	00-476499-00001	Support - End Panel (Standard) (L-R).....	1
17	00-476246-00002	Support - End Panel (6 In. HTS) (R-L).....	1
18	00-476246-00001	Support - End Panel (6 In. HTS) (L-R).....	1
19	00-942115-00001	Cover - Front (Standard).....	1
20	00-942115-00002	Cover - Front (6 In. HTS).....	1
21	NS-031-21	Stop Nut 1/4-20 Hex (SST).....	2
22	00-947849	Lid - Chamber (Blower Dryer).....	1
23	00-947851	Cover - Front/Rear Panel.....	1
24	00-947850	Cover - End Panel.....	1
25	00-947852	Cover - Top Panel.....	1
26	00-941616	Bracket - Support.....	1

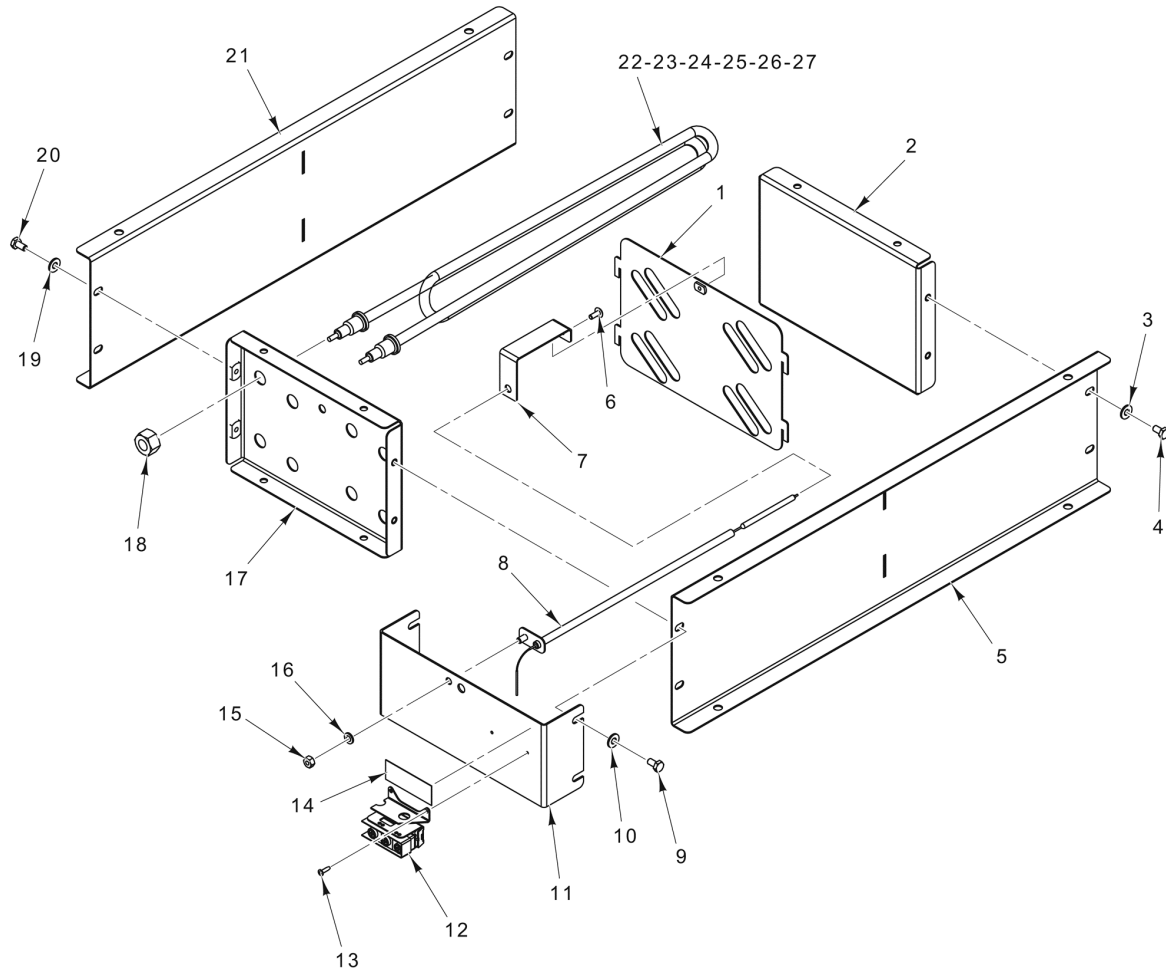


PL-60138

**BLOWER DRYER MOTOR AND BAFFLES
(CURRENT CONSTRUCTION)**

**BLOWER DRYER MOTOR AND BAFFLES
(CURRENT CONSTRUCTION)**

ILLUS. PL-60138	PART NO.	NAME OF PART	AMT.
1	00-941506	Duct - Blower.....	1
2	00-941710	Plate - Blower Adapter.....	1
3	00-936771-00001	Blower (230/460 V.).....	1
4	00-936771-00002	Blower (600 V.).....	1
5	WL-006-17	Lockwasher 1/4 Helical (SST).....	6
6	WS-017-06	Washer (SST).....	6
7	00-941936	Retainer - Offset (Short).....	1
8	00-942119	Bracket - Blower Support.....	1
9	00-942119	Bracket - Blower Support.....	1
10	NS-015-01	Nut 1/4-20 Hex (SST).....	12
11	WL-006-17	Lockwasher 1/4 Helical (SST).....	12
12	WS-017-06	Washer (SST).....	12
13	00-941937	Retainer - Offset (Long).....	1
14	00-941936	Retainer - Offset (Short).....	1
15	00-941937	Retainer - Offset (Long).....	1
16	00-941699-00004	Plenum Weldment.....	1
17	00-942184	Housing - Steam Heat (Steam Heat Only).....	1
18	00-942181	Plate - Adapter (Steam Heat) (Steam Heat Only).....	1
19	SC-041-05	Cap Screw 1/4-20 x 5/8 Hex Hd. (SST).....	6

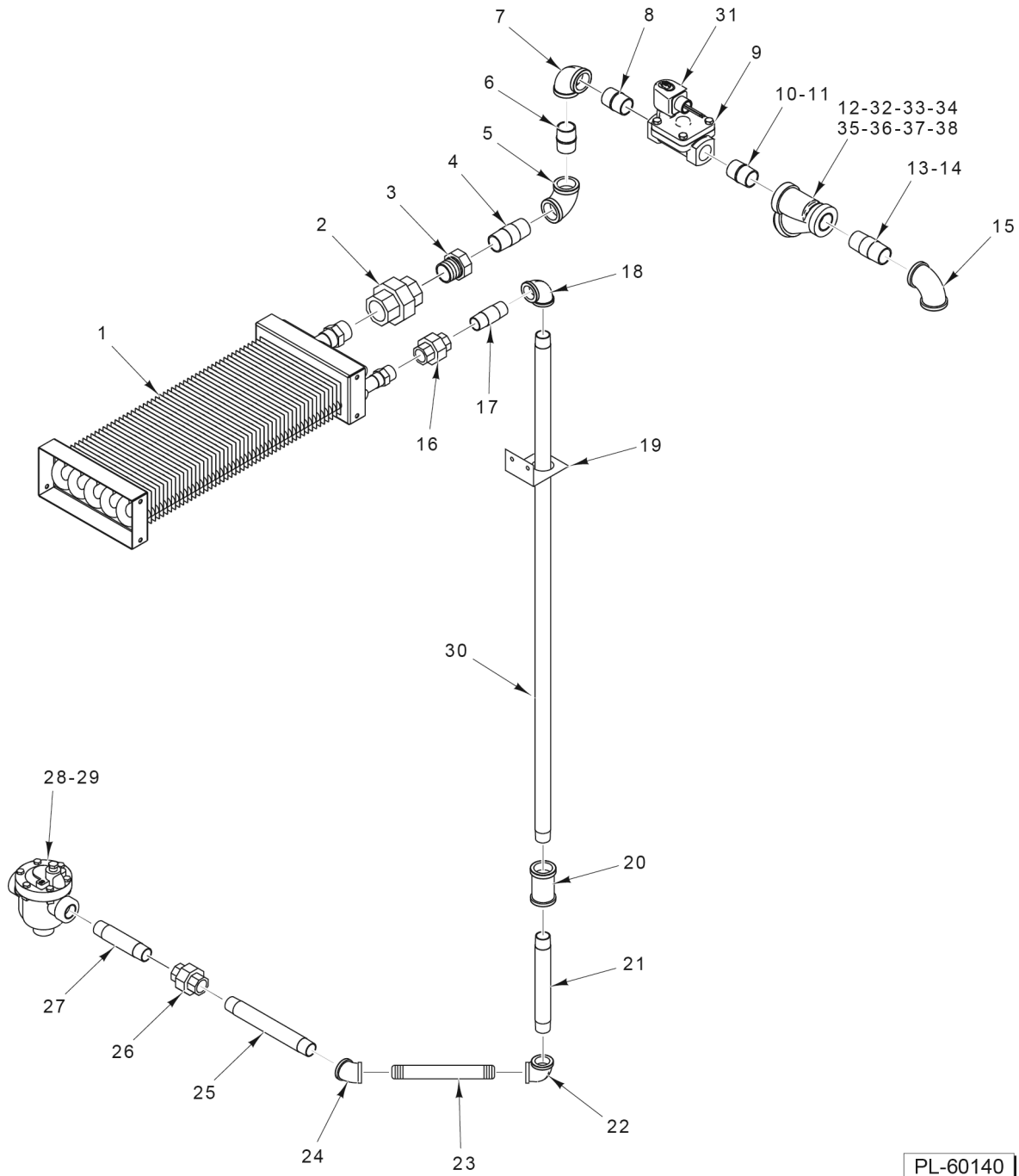


PL-60139

**HEATER
(ELECTRIC DRYER)
(CURRENT CONSTRUCTION)**

**HEATER
(ELECTRIC DRYER)
(CURRENT CONSTRUCTION)**

ILLUS. PL-60139	PART NO.	NAME OF PART	AMT.
1	00-947908	Plate - Element Spacer.....	1
2	00-947907	Bracket - Rear Heater.....	1
3	WS-017-06	Washer (SST).....	2
4	SC-041-50	Cap Screw 1/4-20 x 1/2 Hex Hd. (SST).....	2
5	00-941709	Bracket - Side Heater.....	1
6	SC-066-06	Mach. Screw 10-24 x 1/2 Phil. Truss Hd. (SST).....	1
7	00-947909	Bracket - Spacer.....	1
8	00-748108-00001	Tube - Thermostat.....	1
9	SC-041-50	Cap Screw 1/4-20 x 1/2 Hex Hd. (SST).....	2
10	WS-017-06	Washer (SST).....	2
11	00-947905	Bracket - Thermostat.....	1
12	00-294681-026-1	Thermostat - Electric Blower Dryer.....	1
13	SD-019-29	Self-Tapping Screw 6-20 x 1/2 Phil. Pan Hd., Type B.....	2
14	0F-034002	Label - Thermostat (Dryer).....	1
15	NS-015-01	Nut 1/4-20 Hex (SST).....	1
16	WL-006-17	Lockwasher 1/4 Helical (SST).....	1
17	00-947906	Bracket - Element Mounting.....	1
18	NS-015-17	Nut 5/8-11 Hex.....	8
19	WS-017-06	Washer (SST).....	4
20	SC-041-50	Cap Screw 1/4-20 x 1/2 Hex Hd. (SST).....	4
21	00-941709	Bracket - Side Heater.....	1
22	00-289745-00001	Heater - Air (200/60/3).....	4
23	00-289745-00002	Heater - Air (230/60/3).....	4
24	00-289745-00003	Heater - Air (460/60/3).....	4
25	00-289745-00004	Heater - Air (600 V.).....	4
26	00-289745-00005	Heater - Air (380 V.).....	4
27	00-289745-00006	Heater - Air (415 V.).....	4



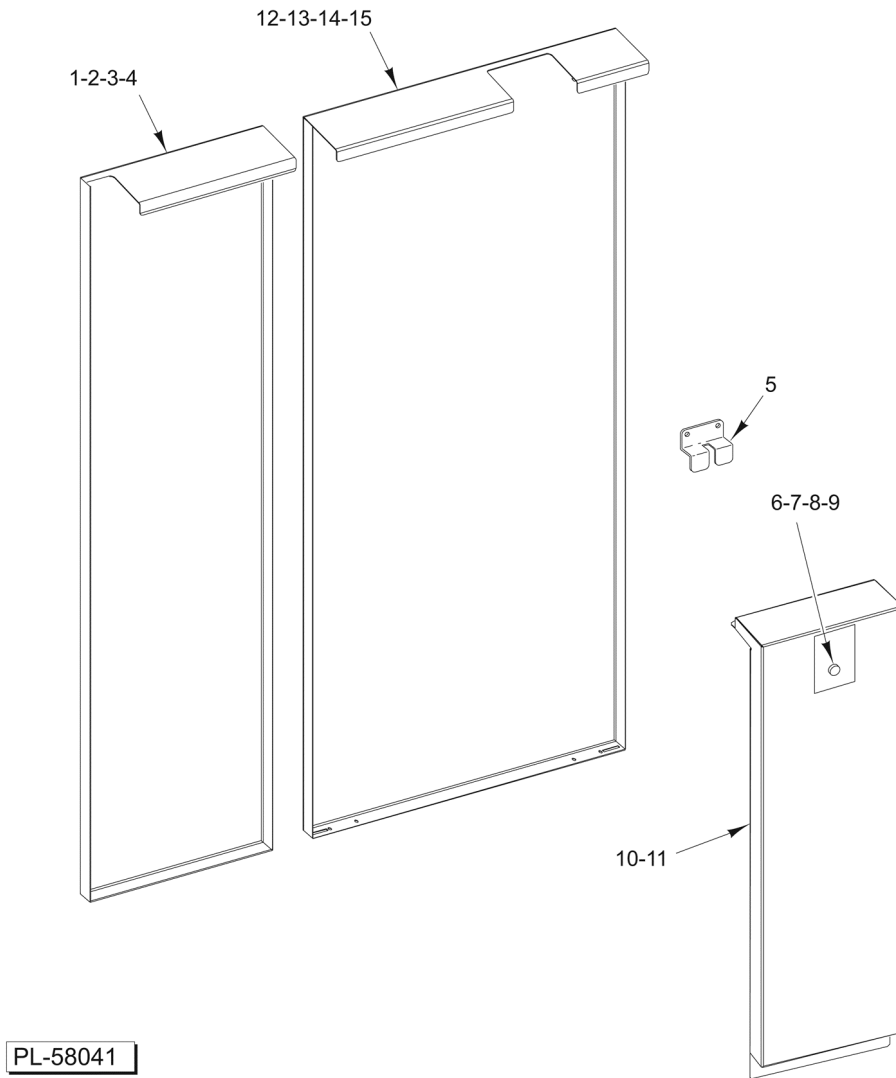
PL-60140

**HEATER
(STEAM DRYER)
(CURRENT CONSTRUCTION)**

**HEATER
(STEAM DRYER)
(CURRENT CONSTRUCTION)**

ILLUS. PL-60140	PART NO.	NAME OF PART	AMT.
1	00-814403	Coil - Steam.....	1
2	FP-022-23	Union - Pipe (1 In.).....	1
3	FP-026-26	Bushing 1 to 3/4.....	1
4	FP-036-95	Pipe 3/4 x 2 TBE.....	1
5	FP-013-22	Elbow Pipe 3/4 x 90 Deg.....	1
6	FP-036-92	Pipe 3/4 x 1-3/8 TBE (Black).....	1
7	FP-013-22	Elbow Pipe 3/4 x 90 Deg.....	1
8	FP-036-92	Pipe 3/4 x 1-3/8 TBE (Black).....	1
9	00-749983	Valve - Steam (3/4 In.) (125 PSI).....	1
10	FP-036-92	Pipe 3/4 x 1-3/8 TBE (Black) (R-L).....	1
11	FP-036-89	Pipe 3/4 x 5-3/8 TBE (L-R).....	1
*12	00-186922	Strainer - Line (3/4 In.) (Brass) (Kitz) (Incls. Items 32, 33, & 34) (Alternate to Item 35)	1
13	FP-036-02	Pipe 3/4 x 2-1/2 TBE (R-L).....	1
14	FP-036-89	Pipe 3/4 x 5-3/8 TBE (L-R).....	1
15	FP-013-22	Elbow Pipe 3/4 x 90 Deg.....	1
16	FP-022-17	Union 3/4 (Grd. Seat).....	1
17	FP-036-03	Pipe 3/4 x 2-3/4 TBE.....	1
18	FP-013-22	Elbow Pipe 3/4 x 90 Deg.....	1
19	00-476679	Bracket - Pipe Holder.....	1
20	FP-023-24	Pipe Coupling 3/4 (6 In. HTS Only).....	1
21	FP-059-65	Pipe 3/4 x 6 TBE (6 In. HTS Only).....	1
22	FP-013-22	Elbow Pipe 3/4 x 90 Deg.....	1
23	FP-059-65	Pipe 3/4 x 6 TBE.....	1
24	FP-013-20	Elbow 3/4 x 45 Deg.....	1
25	FP-059-65	Pipe 3/4 x 6 TBE.....	1
26	FP-022-17	Union 3/4 (Grd. Seat).....	1
27	FP-036-06	Pipe 3/4 x 3-1/2 TBE.....	1
28	00-118316	Steam Trap (0-20 PSI).....	1
29	00-118317	Steam Trap (21-50 PSI).....	1
30	FP-091-36	Pipe 3/4 x 60 TBE.....	1
31	00-918568-021-7	Cable Assy. (With D.I.N. Connector) (Blower Dryer Steam Valve).....	1
32	00-186923	Plug - Branch.....	1
33	00-186924	Gasket - Branch Plug.....	1
34	00-186925	Screen - Line Strainer.....	1
*35	00-186922	Strainer - Line (3/4 In.) (Brass) (Apollo / Conbraco) (Incls. Items 36, 37, & 38) (Alternate to Item 12).....	1
36	00-749802-00001	Cap.....	1
37	00-749802-00002	Gasket.....	1
38	00-749802-00003	Screen (80 Mesh).....	1

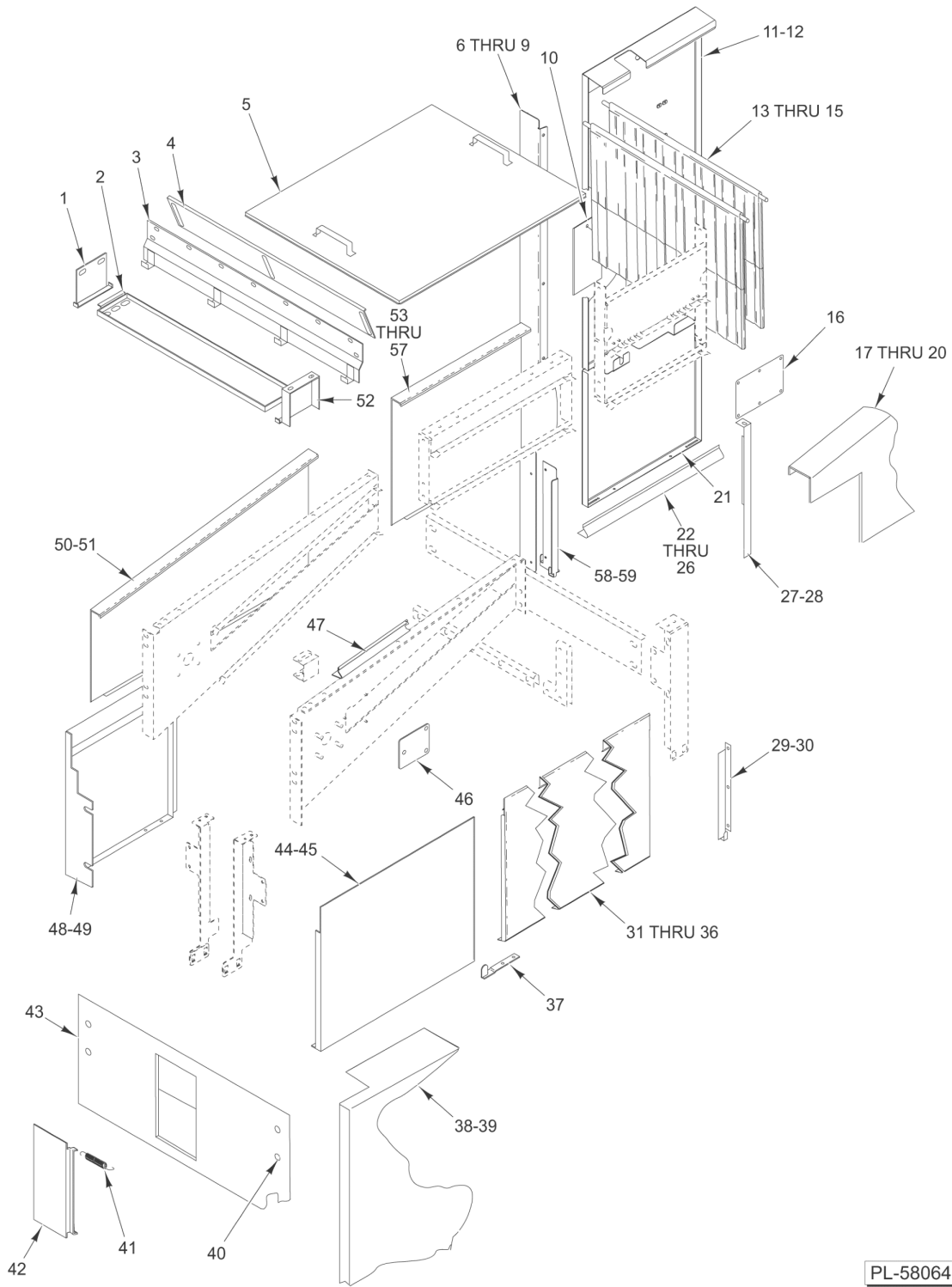
* Kitz line strainer is approx. 1/4" shorter than Apollo / Conbraco.



PANELS (DRYER)

PANELS (DRYER)

ILLUS.	PART NO.	NAME OF PART	AMT.
PL-58041			
1	00-476886-00004	Panel - Unload (Standard Height).....	1
2	00-476886-00002	Panel - Unload (6 In. Higher Than Standard).....	1
3	00-941456-00001	Panel - Cover (Rear) (Standard Height).....	1
4	00-941456-00004	Panel - Cover (Rear) (6 In. Higher Than Standard).....	1
5	00-476767	Spacer - Panel (Dryer).....	1
6	PB-004-08	Plug Button Heyco 2703 (Steam Blower Dryer).....	1
7	00-749975-00003	Lens - Pilot Light (Red) (Electric Blower Dryer).....	1
8	00-749974-00003	Module - Light (120 V. In, 12 V. Out).....	1
9	00-438131-00149	Label - Warning (Electric Blower Dryer).....	1
10	00-748257-00001	Cover - Dryer (Front) (Standard Height) (New Controls).....	1
11	00-748257-00002	Cover - Dryer (Front) (6 In. Higher Than Standard) (New Controls).....	1
12	00-476888-00002	Panel - Wash (Standard Height).....	1
13	00-476888-00001	Panel - Wash (R-L) (6 In. Higher Than Standard).....	1
14	00-941456-00002	Panel - Cover (Rear) (Standard Height).....	1
15	00-941456-00005	Panel - Cover (Rear) (6 In. Higher Than Standard).....	AR

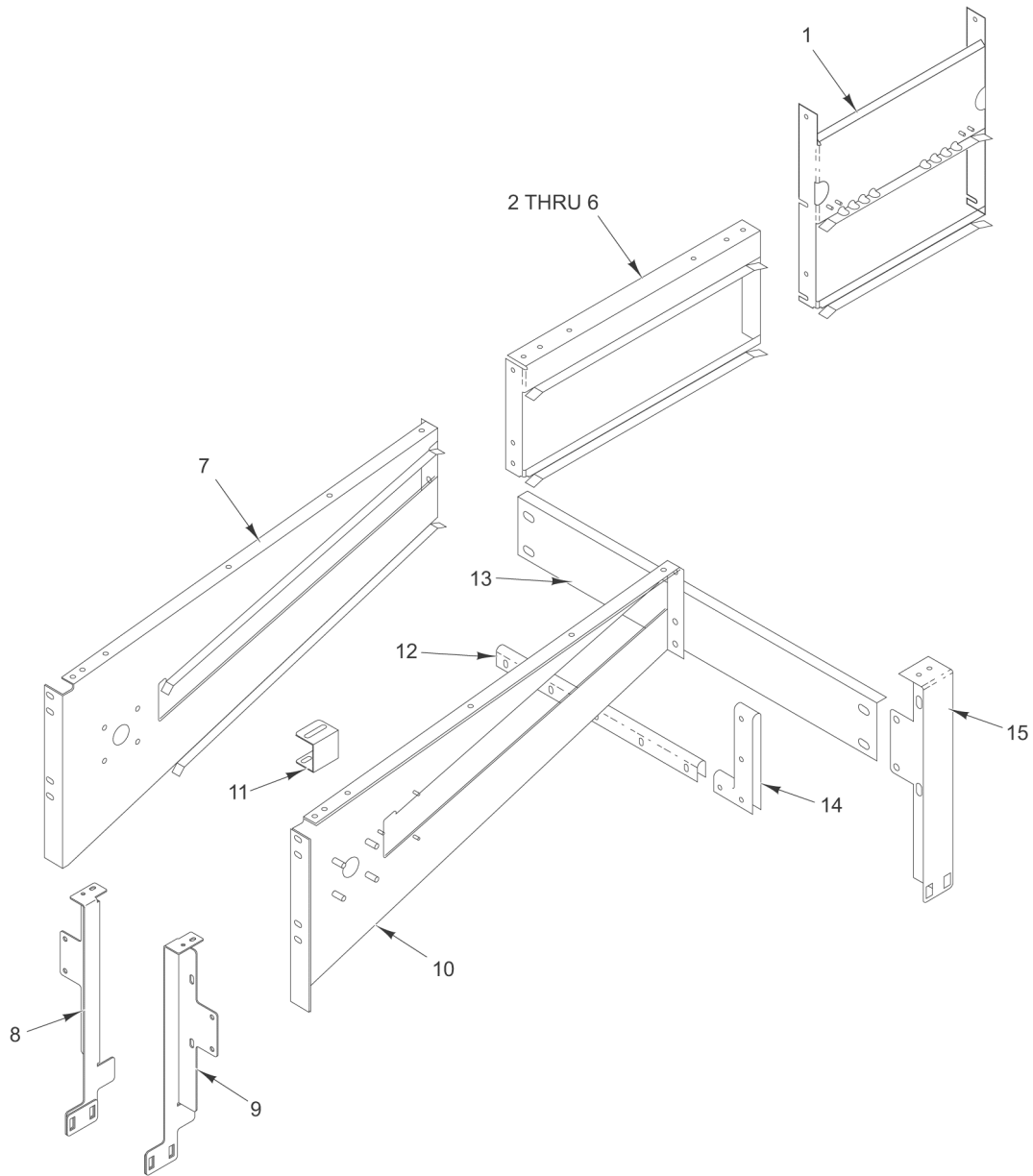


PL-58064

**COMMON PANELS
(PREVIOUS CONSTRUCTION)**

COMMON PANELS (PREVIOUS CONSTRUCTION)

ILLUS. PL-58064	PART NO.	NAME OF PART	AMT.
1	00-476547	Bracket - Drip Pan (Rear).....	1
2	00-476548	Pan - Drip.....	1
3	00-476401	Baffle Assy. (With Curtain Hooks).....	1
4	00-748194	Damper - Steam (Unload).....	1
5	00-476164-00001	Lid - Assy. Chamber (36 In.) (Without Blower Dryer).....	1
6	00-476499-00002	Support - End Panel (L-R Load) (Standard Height).....	1
7	00-476246-00002	Support - End Panel (L-R Load) (6 In. Higher Than Standard).....	1
8	00-476499-00001	Support - End Panel (R-L Load) (Standard Height).....	1
9	00-476246-00001	Support - End Panel (R-L Load) (6 In. Higher Than Standard).....	1
10	00-476353	Cover - Hole (Detergent).....	1
11	00-748128-00002	Panel - Dispenser Unload (L-R) (Standard Height).....	1
12	00-748128-00001	Panel - Dispenser Unload (L-R) (6 In. Higher Than Standard).....	1
13	00-892567-00001	Curtain - Splash (Standard Height).....	AR
14	00-892567-00002	Curtain - Splash (6 In. Higher Than Standard).....	AR
15	00-120267-00004	Rod - Curtain (35-1/4 In.).....	AR
16	00-476581	Cover - Chamber (Clean Out).....	1
17	00-476979-00001	Panel - Cover Motor Taper (R-L).....	1
18	00-892764-00001	Panel - Cover Motor (L-R).....	1
19	00-476979-00002	Panel - Cover Motor Taper (L-R).....	1
20	00-892764-00002	Panel - Cover Motor (R-L).....	1
21	00-476358	Panel - Rear (Lower).....	1
22	00-476969-00001	Panel - Filler Angle (6 Ft.).....	2
23	00-476969-00002	Panel - Filler Angle (4 Ft.).....	2
24	00-476969-00003	Panel - Filler Angle (2 Ft.).....	2
25	00-476969-00004	Panel - Filler Angle (1 Ft.).....	2
26	00-476969-00005	Panel - Filler Angle (3 Ft.).....	2
27	00-748003-00001	Bracket - Locator Support (L-R Front; R-L Rear).....	1
28	00-748003-00002	Bracket - Locator Support (R-L Front; L-R Rear).....	1
29	00-476908-00001	Bracket - Panel (R-L Unload).....	1
30	00-476908-00002	Bracket - Panel (L-R Unload).....	1
31	00-476170-00001	Panel - Trim (24 In.).....	AR
32	00-476170-00002	Panel - Trim (48 In.).....	AR
33	00-476170-00003	Panel - Trim (12 In.).....	AR
34	00-476170-00004	Panel - Trim (36 In.).....	AR
35	00-476168-00001	Panel - Trim (72 In.).....	AR
36	00-476168-00012	Panel - Trim (60 In.).....	AR
37	00-476171	Retainer - Panel.....	AR
38	00-476991-00001	Cover - Chain (R-L).....	1
39	00-476991-00002	Cover - Chain (L-R).....	1
40	NS-025-04	Crown Nut 1/4-20 (SST).....	4
41	00-185888	Spring - Door.....	2
42	00-289629-00002	Door - Access.....	1
43	00-748074	NLA - Obsolete--Panel - Drive End.....	1
44	00-476403-00001	Panel - Trim (R-L Drive End) (Rear).....	1
45	00-476403-00002	Panel - Trim (L-R Drive End) (Rear).....	1
46	00-476673	Panel - Access.....	1
47	00-476970	Panel - Filler Angle (Unload).....	2
48	00-476273-00001	Panel - Trim (R-L Unload) (Front).....	AR
49	00-476273-00002	Panel - Trim (L-R Unload) (Front).....	AR
50	00-476972-00001	Panel - Cover Taper (L-R Front; R-L Rear).....	1
51	00-476972-00002	Panel - Cover Taper (R-L Front; L-R Rear).....	1
52	00-476546	Bracket - Drip Pan (Front).....	1
53	00-476971-00004	Panel - Cover (1 Ft.).....	2
54	00-476971-00003	Panel - Cover (2 Ft.).....	2
55	00-476971-00005	Panel - Cover (3 Ft.).....	2
56	00-476971-00002	Panel - Cover (4 Ft.).....	2
57	00-476971-00001	Panel - Cover (6 Ft.).....	2
58	00-476361	Bracket - Transition (L-R).....	1
59	00-476361-00002	Bracket - Transition (R-L).....	1

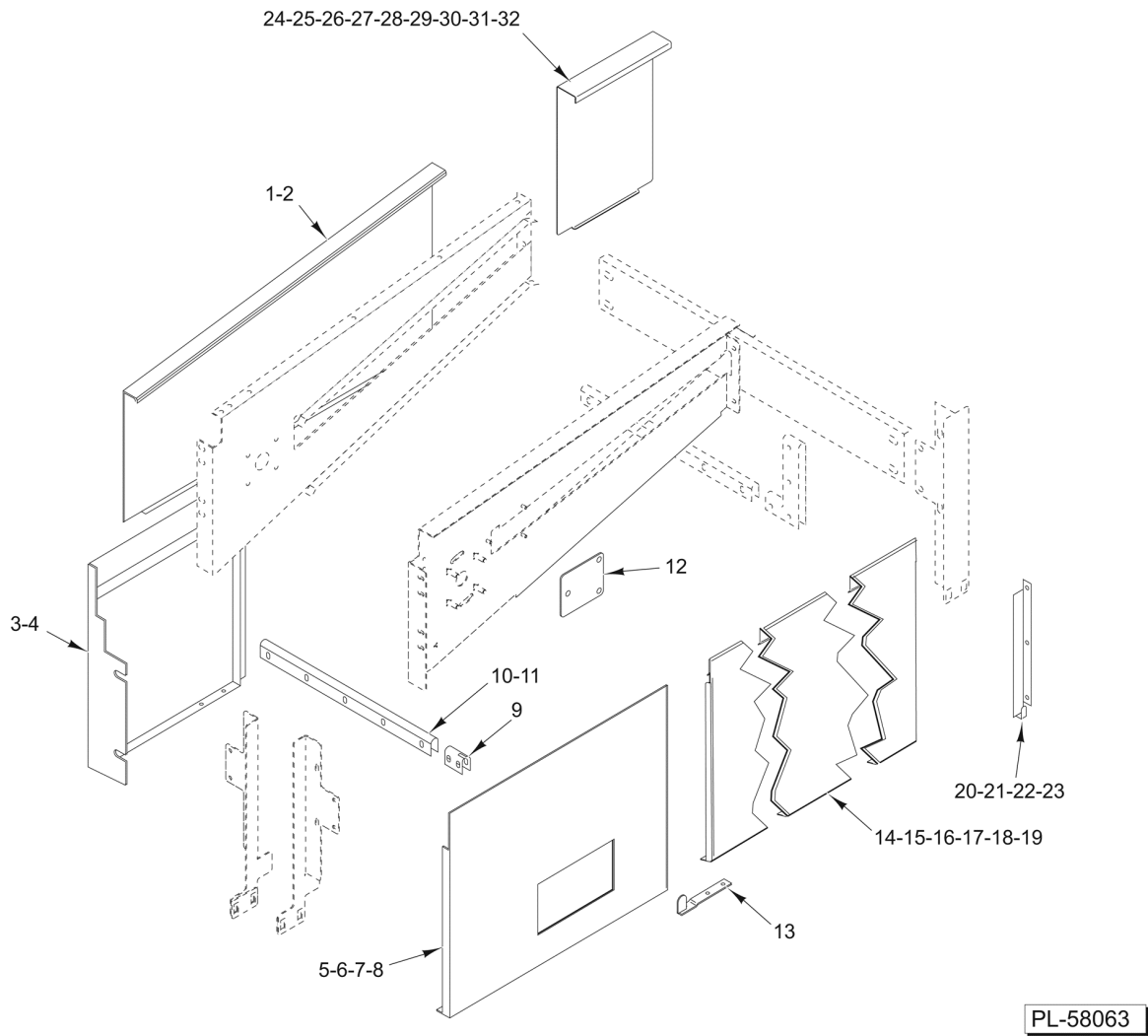


PL-58709

**COMMON TRACKS
(PREVIOUS CONSTRUCTION)**

**COMMON TRACKS
(PREVIOUS CONSTRUCTION)**

ILLUS.	PART NO.	NAME OF PART	AMT.
PL-58709			
1	00-475800-00001	Track - Unload (18 In.) (Without Blower Dryer).....	2
2	00-476315-00001	Track - Without Dishguide (4 Ft.).....	2
3	00-476315-00002	Track - Without Dishguide (2 Ft.).....	2
4	00-476315-00003	Track - Without Dishguide (6 Ft.).....	2
5	00-476315-00004	Track - Without Dishguide (1 Ft.).....	2
6	00-476315-00005	Track - Without Dishguide (3 Ft.).....	2
7	00-475836-00002	Panel - Track Guide (R-L Rear; L-R Front).....	1
8	00-748475-00001	Bracket - Upright Split Unload (R-L Front; L-R Rear).....	1
9	00-748475-00002	Bracket - Upright Split Unload (R-L Rear; L-R Front).....	1
10	00-475836-00001	Panel - Track Guide (R-L Front; L-R Rear).....	1
11	00-476974	Bracket - Rest Locator.....	2
12	00-476769	Saddle - Chamber.....	1
13	00-476854	Stringer - Unload (All Except 5 Ft.).....	AR
14	00-476768	Cap - Saddle Chamber.....	2
15	00-476968	Support - Upright Bracket (All Except 5 Ft.).....	2

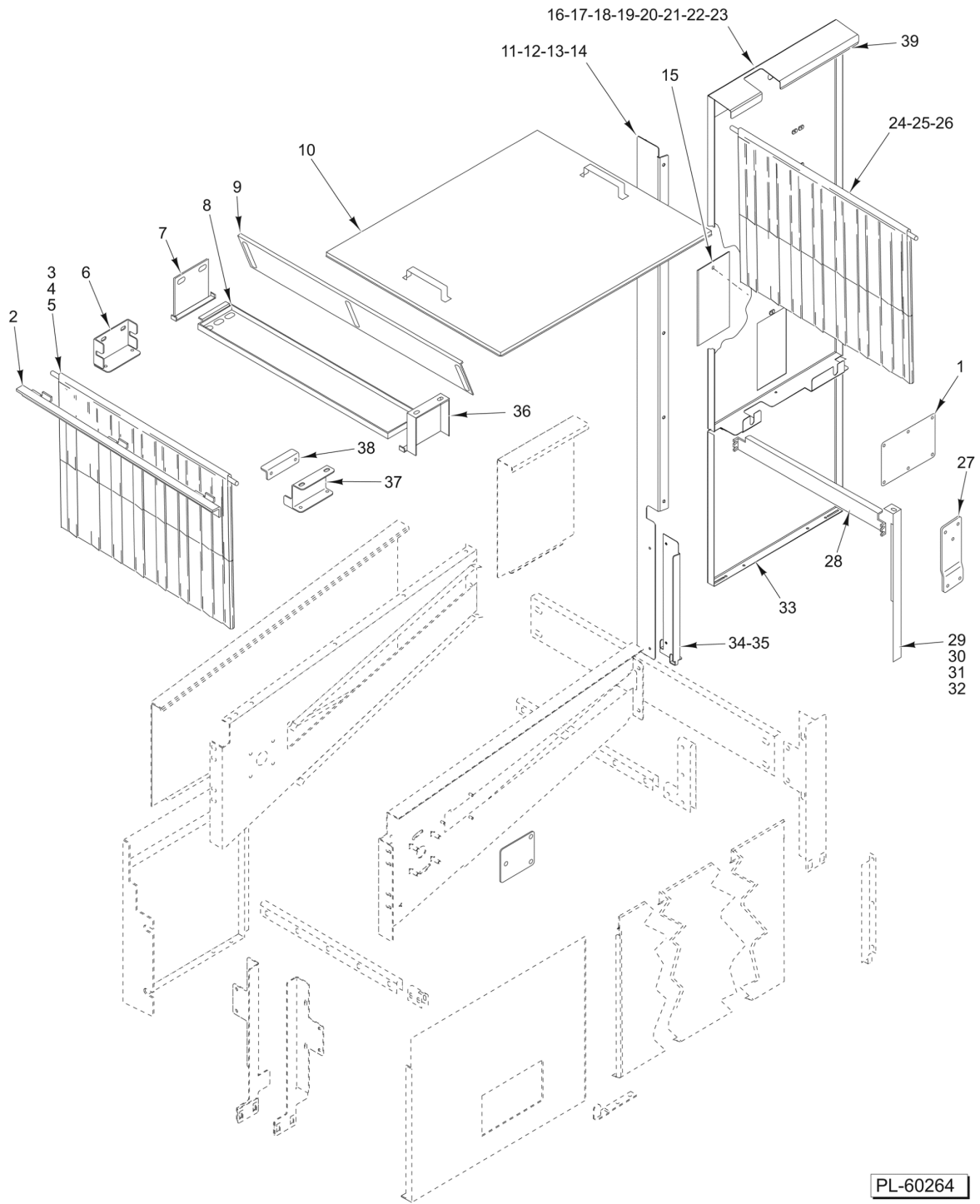


PL-58063

**COMMON LOWER PANELS
(CURRENT CONSTRUCTION)**

**COMMON LOWER PANELS
(CURRENT CONSTRUCTION)**

ILLUS. PL-58063	PART NO.	NAME OF PART	AMT.
1	00-892763-00001	Panel - Cover Unload Taper (R-L).....	1
2	00-892763-00002	Panel - Cover Unload Taper (L-R).....	1
3	00-476403-00001	Panel - Trim (R-L Drive End).....	1
4	00-476403-00002	Panel - Trim (L-R Drive End).....	1
5	00-748183-00001	Panel - Trim Unload (R-L With Access Opening).....	AR
6	00-748183-00002	Panel - Trim Unload (L-R With Access Opening).....	AR
7	00-476273-00001	Panel - Trim (R-L Unload).....	AR
8	00-476273-00002	Panel - Trim (L-R Unload).....	AR
9	00-918207	Saddle - Chamber End (FT900D & FT900SD Without Blower Dryer).....	1
10	00-918204	Saddle - Tank (FT900D & FT900SD Without Blower Dryer).....	1
11	00-749226	Saddle - Dual Load (FT900D & FT900SD Without Blower Dryer).....	1
12	00-476673	Panel - Access.....	1
13	00-476171	Retainer - Panel.....	AR
14	00-476170-00001	Panel - Trim (24 In.).....	AR
15	00-476170-00002	Panel - Trim (48 In.).....	AR
16	00-476170-00003	Panel - Trim (12 In.).....	AR
17	00-476170-00004	Panel - Trim (36 In.).....	AR
18	00-476168-00001	Panel - Trim (72 In.).....	AR
19	00-476168-00012	Panel - Trim (60 In.).....	AR
20	00-476908-00001	Bracket - Panel (R-L Unload) (Old Controls).....	1
21	00-476908-00002	Bracket - Panel (L-R Unload) (Old Controls).....	1
22	00-918471-00001	Bracket - Discharge (New Controls) (R-L).....	1
23	00-918471-00002	Bracket - Discharge (New Controls) (L-R).....	1
24	00-476971-00002	Panel - Cover (4 Ft.).....	2
25	00-892762-00001	Panel - Cover Unload Straight (1 Ft.).....	2
26	00-892762-00002	Panel - Cover Unload Straight (2 Ft.).....	2
27	00-892762-00003	Panel - Cover Unload Straight (3 Ft.).....	2
28	00-892762-00004	Panel - Cover Unload Straight (4 Ft.).....	2
29	00-941348-00001	Panel - Cover (1 Ft.).....	2
30	00-941348-00002	Panel - Cover (2 Ft.).....	2
31	00-941348-00003	Panel - Cover (3 Ft.).....	2
32	00-941348-00004	Panel - Cover (4 Ft.).....	2

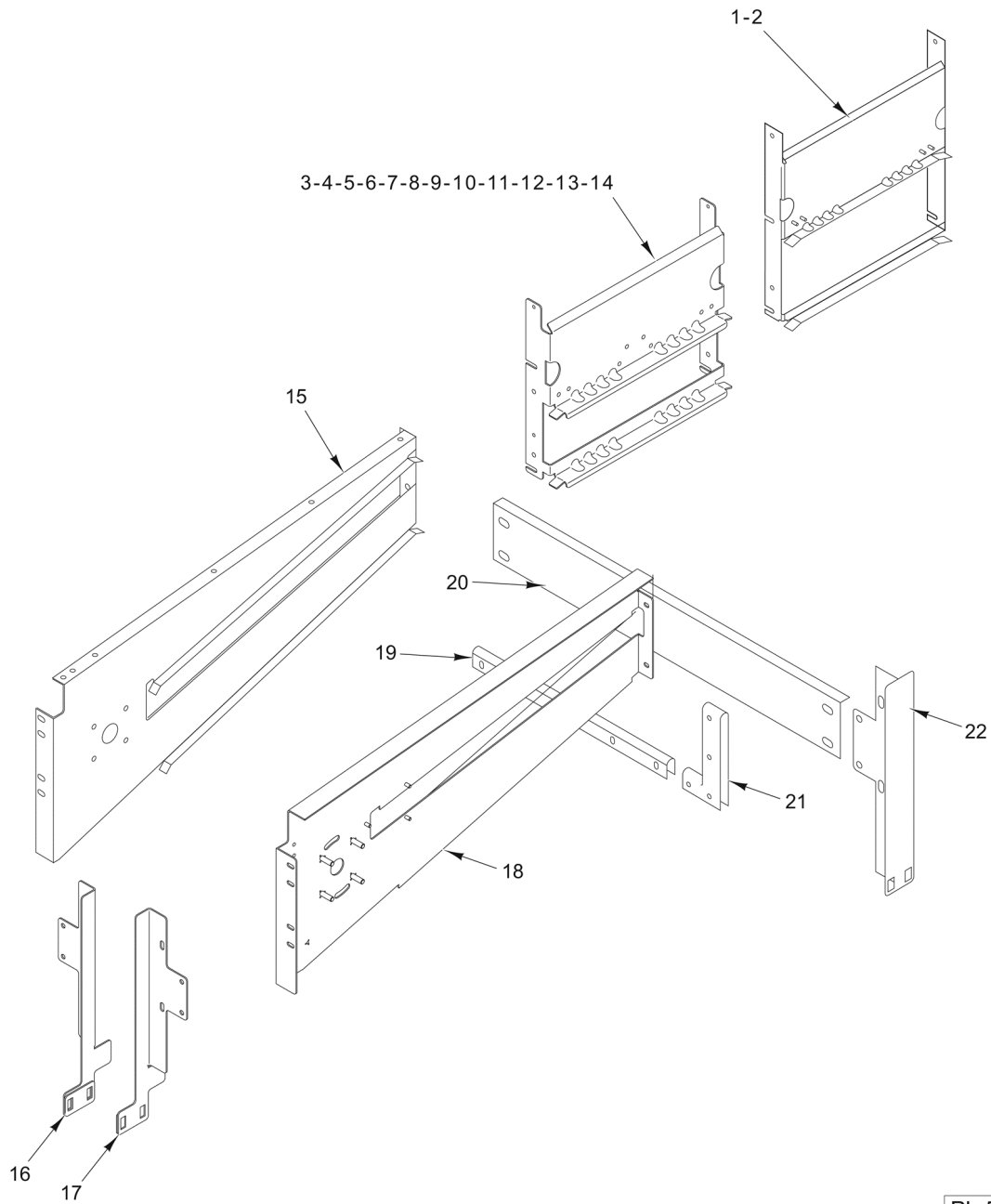


PL-60264

**COMMON PANELS
(CURRENT CONSTRUCTION)**

**COMMON PANELS
(CURRENT CONSTRUCTION)**

ILLUS.	PART NO.	NAME OF PART	AMT.
PL-60264			
1	00-476581	Cover - Chamber (Clean Out).....	1
2	00-893824-00001	Support - Curtain (L-R) (FT900D & FT900SD With Blower Dryer).....	1
3	00-892567-00001	Curtain - Splash (Standard Height) (FT900 & FT900S).....	AR
4	00-892567-00002	Curtain - Splash (6 In. Higher Than Standard) (FT900 & FT900S).....	AR
5	00-120267-00004	Rod - Curtain (35-1/4 In.) (FT900 & FT900S).....	AR
6	00-893821	Bracket - Drip Pan (Rear) (FT900D & FT900SD With Blower Dryer).....	1
7	00-476547	Bracket - Drip Pan (Rear) (All Except FT900D & FT900SD With Blower Dryer).....	1
8	00-476548	Pan - Drip.....	1
9	00-748194	Damper - Steam (Unload).....	1
10	00-476164-00001	Lid - Assy. Chamber (36 In.) (Without Blower Dryer).....	1
11	00-476499-00002	Support - End Panel (L-R Load) (Standard Height).....	1
12	00-476246-00002	Support - End Panel (L-R Load) (6 In. Higher Than Standard).....	1
13	00-476499-00001	Support - End Panel (R-L Load) (Standard Height).....	1
14	00-476246-00001	Support - End Panel (R-L Load) (6 In. Higher Than Standard).....	1
15	00-476353	Cover - Hole (Detergent).....	1
16	00-748128-00002	Panel - Dispenser Unload (L-R) (Standard Height).....	1
17	00-918373-00001	Panel - Dispenser Unload (Standard Height) (R-L) (FT900D & FT900SD).....	1
18	00-918373-00003	Panel - Dispenser Unload (6 In. Higher Than Standard) (R-L) (FT900D & FT900SD).....	1
19	00-748128-00001	Panel - Dispenser Unload (L-R) (6 In. Higher Than Standard) (FT900 & FT900S).....	1
20	00-918373-00002	Panel - Dispenser Unload (Standard Height) (L-R) (FT900D & FT900SD).....	1
21	00-918373-00004	Panel - Dispenser Unload (6 In. Higher Than Standard) (L-R) (FT900D & FT900SD).....	1
22	00-941468-00001	Panel - Rear Dispenser Cover (Standard).....	AR
23	00-941468-00002	Panel - Rear Dispenser Cover (6 In. HTS).....	AR
24	00-892567-00001	Curtain - Splash (Standard Height) (FT900 & FT900S).....	AR
25	00-892567-00002	Curtain - Splash (6 In. Higher Than Standard) (FT900 & FT900S).....	AR
26	00-120267-00004	Rod - Curtain (35-1/4 In.) (FT900 & FT900S).....	AR
27	00-918371	Bracket - Baffle Support Unload (FT900D & FT900SD Without Blower Dryer).....	1
28	00-748162	Baffle - Track (FT900D & FT900SD Without Blower Dryer).....	1
29	00-476361	Bracket - Transition (L-R Operation).....	1
30	00-476361-00002	Bracket - Transition (R-L Operation).....	1
31	00-941400-00001	Bracket - Transition (LH).....	AR
32	00-941400-00002	Bracket - Transition (RH).....	AR
33	00-476358	Panel - Rear (Lower).....	1
34	00-749387-00001	Retainer - Panel (R-L Rear; L-R Front).....	1
35	00-749387-00002	Retainer - Panel (L-R Rear; R-L Front).....	1
36	00-476546	Bracket - Drip Pan (Front).....	1
37	00-893820	Bracket - Drip Pan (Front) (FT900W).....	1
38	00-893822	Support - Drip Pan.....	1
39	00-941455	Bracket - Panel Support.....	AR



PL-58710

**COMMON TRACKS
(CURRENT CONSTRUCTION)**

**COMMON TRACKS
(CURRENT CONSTRUCTION)**

ILLUS.	PART NO.	NAME OF PART	AMT.
PL-58710			
1	00-475800-00001	Track - Unload (18 In.).....	2
2	00-475800-00003	Track - Unload (18 In.).....	2
3	00-892759-00001	Track - Straight Unload (1 Ft.).....	2
4	00-892759-00003	Track - Straight Unload (3 Ft.).....	2
5	00-892759-00004	Track - Straight Unload (4 Ft.).....	2
6	00-892759-00002	Track - Straight Unload (2 Ft.).....	2
7	00-918367-00002	Track - Unload (Front, L-R) (FT900SD).....	1
8	00-918367-00004	Track - Unload (Front, R-L) (FT900SD).....	1
9	00-918367-00003	Track - Unload (Rear, L-R) (FT900SD).....	1
10	00-918367-00005	Track - Unload (Rear, R-L) (FT900SD).....	1
11	00-941347-00001	Track - Straight Unload (1 Ft.).....	1
12	00-941347-00002	Track - Straight Unload (2 Ft.).....	1
13	00-941347-00003	Track - Straight Unload (3 Ft.).....	1
14	00-941347-00004	Track - Straight Unload (4 Ft.).....	1
15	00-892761-00002	Panel - Track Guide (Left).....	1
16	00-892771-00001	Bracket - Upright Split (Left).....	1
17	00-892771-00002	Bracket - Upright Split (Right).....	1
18	00-892761-00001	Panel - Track Guide Right.....	1
19	00-476769	Saddle - Chamber.....	1
20	00-476854	Stringer - Unload.....	AR
21	00-476768	Cap - Saddle Chamber.....	2
22	00-892766	Support - Upright Bracket.....	2

Item Number	Cable Designation	Description	Length (Inches)
1	J2	Door Interlock Cable (Control Box to 7TB)	224
2	J3	Water Valve Cable (Control Box to 8TB)	224
3	J5	Electric Heat Control Box Harness (FT900 & FT900D)	n/a
4	J5	Electric Heat Control Box Harness (FT900S & FT900SD)	n/a
5	J6	Electric Booster Control Cable (Control Box to Booster)	100
6	J8	Load Start/Stop Switch Box Cable (Control Box to Switch Box)	335
7	J9	Unload Start/Stop Switch Box Cable (Control Box to Switch Box)	206
8	J10	Tank "D" / Dual Rinse Cable (Control Box to Float Box)	97
9	J11	Tank "3" / Prewash Cable (Control Box to Float Box)	220
10	J12	Tank "1" Rinse Cable (Control Box to Float Box)	125
11	J13	Tank "2" Rinse Cable (Control Box to Float Box)	178
12	J14	Frequency Inverter Harness (Control Board to Inverter)	n/a
13	J15	Final Rinse Probe (Control Box to Final Rinse Probe)	167
14	J16	Control Board Jumper (Booster Input) (External Steam Booster)	n/a
15	J16	Cable - Thermister / Thermostat (Internal Electric Booster)	110
16	J21	Display Cable (Display to Control Board)	n/a
17	J22	Keypad Cable (Keypad to Control Board)	n/a
18	1MTR	Tank "1" Motor Cable	132
19	2MTR	Tank "2" Motor Cable	183
20	3MTR	Tank "3" Motor Cable	229
21	4MTR	Conveyor Motor Cable (Previous Construction)	194
22	4MTR	Conveyor Motor Cable (Current Construction)	194
23	6MTR	Blower Dryer Motor Cable	125
24	7MTR	Flush Pump Motor Cable	313
25	8MTR	Dual Rinse Motor Cable	112
26	1SOL	Tank "2" Fill Valve Cable (8TB to Valve)	169
27	2SOL	Tank "1 & 3" Fill Valve (8TB to Valve)	169
28	3SOL	Final Rinse Valve Cable (8TB to Valve)	169
29	4SOL	Dual Rinse Tank Heat Steam Valve	169
30	6SOL	Energy Recovery Cold Water Valve	169
31	7SOL	Energy Recovery Hot Water Valve	169
32	8SOL	Prewash Temperature Valve (8TB to Valve)	169
33	9SOL	Tank "2" Steam Valve Cable (11TB to Valve)	169
34	10SOL	Tank "1" Steam Valve Cable (11TB to Valve)	169
35	11SOL	Steam Booster Valve Cable (11TB to Valve)	169
36	12SOL	Blower Dryer Steam Valve Cable (11TB to Valve)	169
37	1LS,2LS,3LS 7LS,8LS,9LS	Door Interlock Switch (Switch to 7TB)	n/a
38	5LS	Jam Switch Cable (Jam Switch to Unload Start/Stop Switch Box)	n/a
39	6LS	Dish Limit Switch Cable (Switch to Unload Start/Stop Switch Box, 9TB)	n/a
40	3TAS/5TAS	High Limit Jumper Cable (Float Box to Heat Box, Dual Rinse Tank)	n/a
41	NA	Control Box Main Harness (Incls. J7)	n/a
42	NA	Steam Heat Control Box Harness	n/a
43	NA	Jumper Cable (Control Board to Relay Board)	n/a
44	NA	Cable, Frequency Drive Comm.	n/a
45	NA	Tank "2" Heater Harness, L - R (Control Box to Heater Box)	n/a
46	NA	Tank "2" Heater Harness, R - L (Control Box to Heater Box)	n/a
47	NA	Tank "1" Heater Harness, L - R (Control Box to Heater Box)	n/a
48	NA	Tank "1" Heater Harness, R - L (Control Box to Heater Box)	n/a
49	NA	Tank "1" Heater Harness, L - R (Control Box to Heater Box)	n/a
50	NA	Tank "1" Heater Harness, R - L (Control Box to Heater Box)	n/a

PL-60322

CONTROL BOX WIRE HARNESSSES

CONTROL BOX WIRE HARNESSSES

ILLUS. PL-60322	PART NO.	NAME OF PART	AMT.
*1	00-918568-00002	Cable Assy.....	AR
*2	00-918568-003-1	Cable Assy.....	AR
*3	00-918572-00002	Harness - Wire.....	AR
*4	00-918572-00005	Harness - Wire.....	AR
*5	00-918568-00001	Cable Assy.....	AR
*6	00-918568-004-2	Cable Assy.....	AR
*7	00-918568-005-2	Cable Assy.....	AR
*8	00-918568-006-1	Cable Assy.....	AR
*9	00-918568-007-2	Cable Assy.....	AR
*10	00-918568-008-2	Cable Assy.....	AR
*11	00-918568-009-1	Cable Assy.....	AR
*12	00-918572-00004	Harness - Frequency Drive.....	AR
*13	00-918568-00011	Cable Assy.....	AR
*14	00-918568-00012	Cable Assy.....	AR
*15	00-918568-00027	Cable Assy.....	AR
*16	00-918577	Cable - Ribbon.....	AR
*17	00-918576	Cable - Ribbon.....	AR
*18	00-918568-016-1	Cable Assy.....	AR
*19	00-918568-015-1	Cable Assy.....	AR
*20	00-918568-014-1	Cable Assy.....	AR
*21	00-918568-013-2	Cable Assy. (Previous Construction).....	AR
*22	00-918568-029-2	Cable Assy. (Current Construction).....	AR
*23	00-918568-00010	Cable Assy.....	AR
*24	00-918568-017-1	Cable Assy.....	AR
*25	00-918568-00019	Cable Assy.....	AR
*26	00-918568-021-5	Cable Assy.....	AR
*27	00-918568-021-5	Cable Assy.....	AR
*28	00-918568-021-5	Cable Assy.....	AR
*29	00-918568-021-5	Cable Assy.....	AR
*30	00-918568-021-5	Cable Assy.....	AR
*31	00-918568-021-5	Cable Assy.....	AR
*32	00-918568-021-5	Cable Assy.....	AR
*33	00-918568-021-5	Cable Assy.....	AR
*34	00-918568-021-5	Cable Assy.....	AR
*35	00-918568-021-5	Cable Assy.....	AR
*36	00-918568-021-5	Cable Assy.....	AR
*37	00-473109-005-4	Switch - Interlock (New Controls).....	AR
*38	00-918568-00020	Cable Assy.....	AR
*39	00-473109-005-4	Switch - Interlock (New Controls).....	AR
*40	00-918568-00018	Cable Assy.....	AR
*41	00-918572-00001	Harness - Main Control Box (Incls. J7).....	AR
*42	00-918572-00003	Harness - Wire.....	AR
*43	00-918579	Cable - Jumper.....	AR
*44	00-918580	Cable - Frequency Drive.....	AR
*45	00-919764-00001	Harness - Wire.....	AR
*46	00-919764-00002	Harness - Wire.....	AR
*47	00-919764-00003	Harness - Wire.....	AR
*48	00-919764-00004	Harness - Wire.....	AR
*49	00-919764-00005	Harness - Wire.....	AR
*50	00-919764-00006	Harness - Wire.....	AR

* (See Chart on Graphic for Usage.)

