



# CATALOG OF REPLACEMENT PARTS

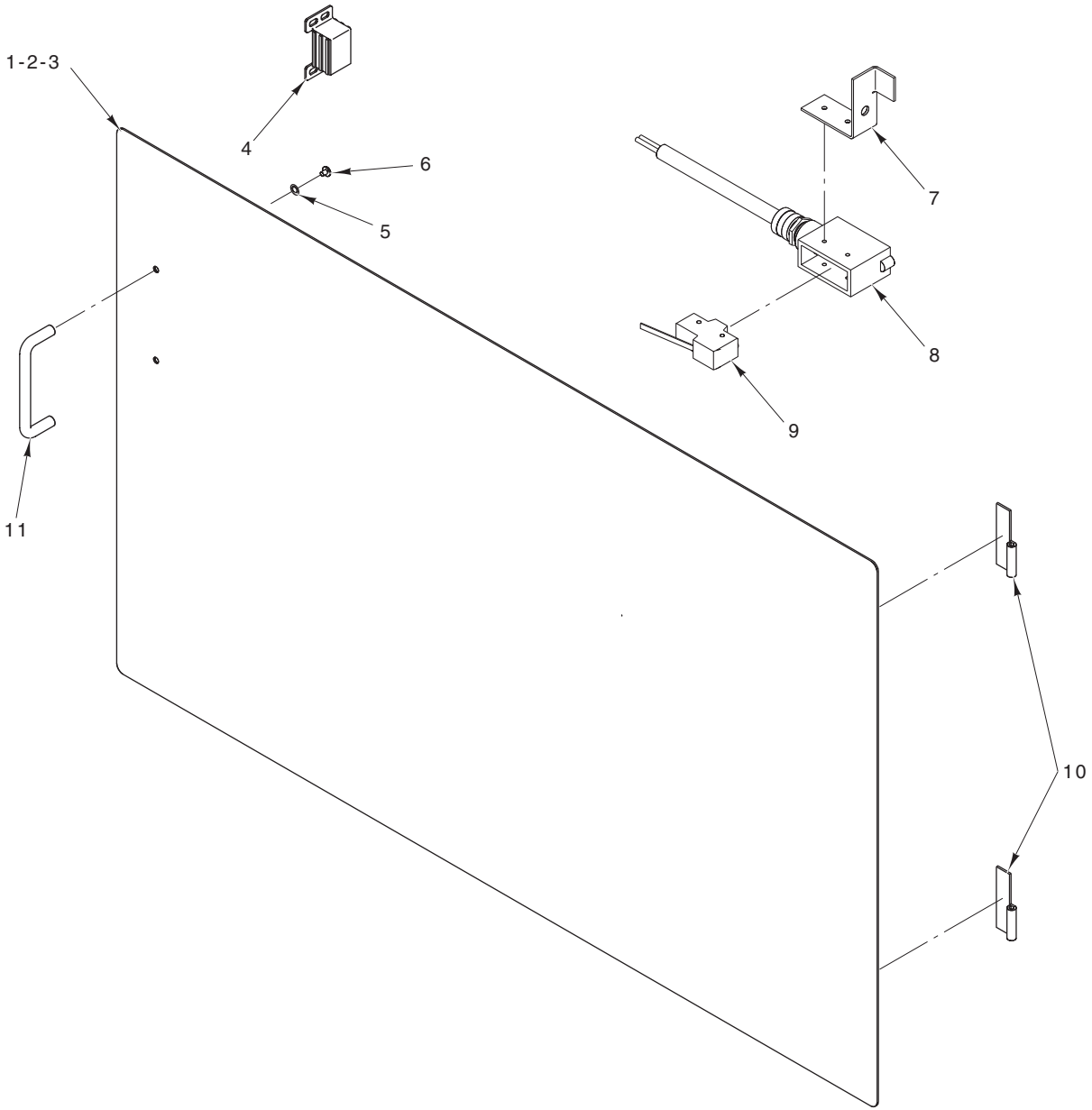
## LUCKS GAS DONUT FRYER

MODEL G1826  
MODEL G2424



**Table of Contents**

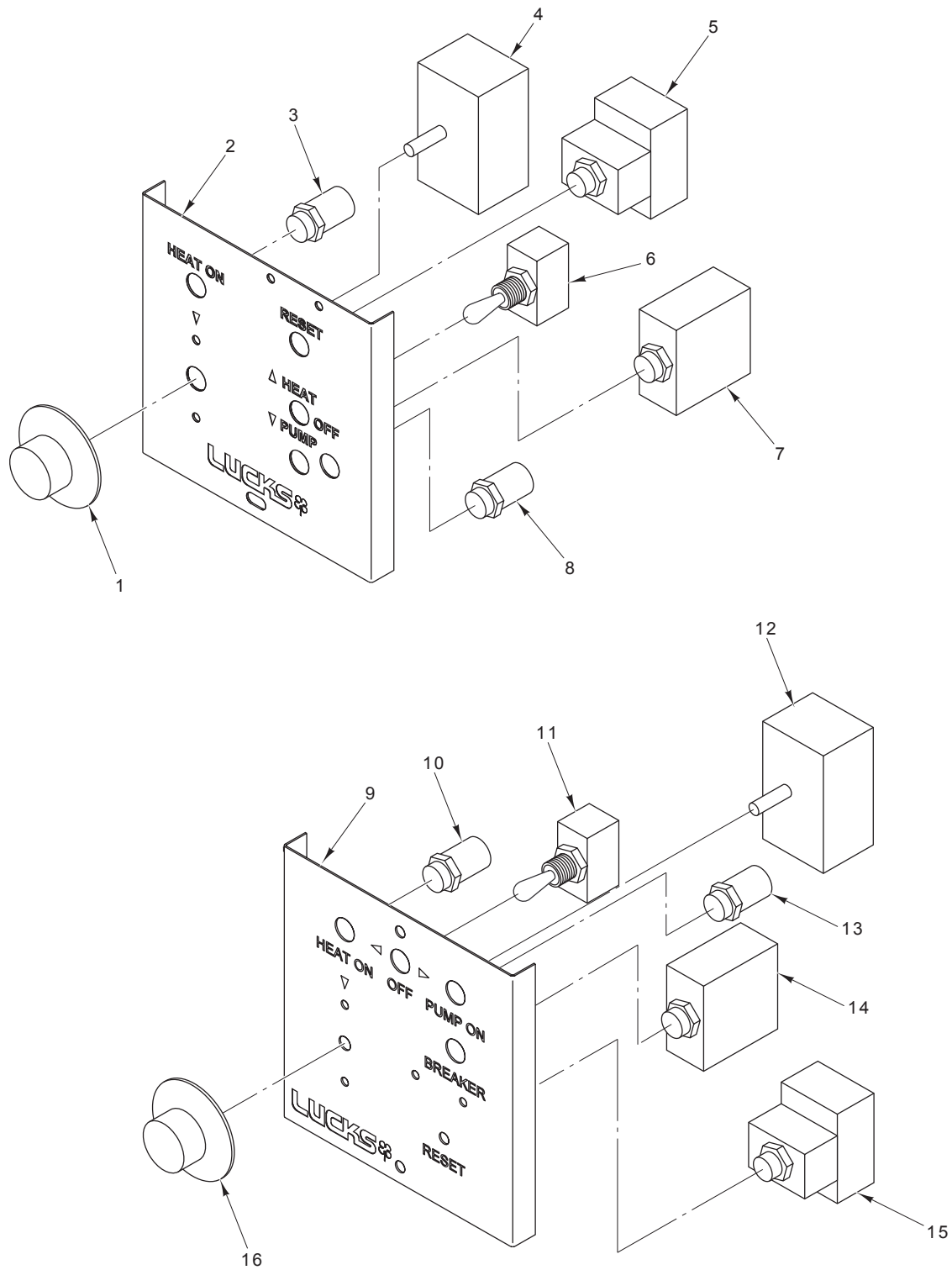
3	DOOR
5	CONTROL PANEL
7	CABINET
9	TANK ASSEMBLY (PREVIOUS CONSTRUCTION)
11	TANK ASSEMBLY (CURRENT CONSTRUCTION)
13	BURNER ASSEMBLY (1826)
15	BURNER ASSEMBLY (2424)
17	FILTER SYSTEM
19	FILTER PUMP



PL-57742

**DOOR**

ILLUS.	PART NO.	NAME OF PART	AMT.
	PL-57742		
1	01-061308	Door Assy. (W/Hinges) (SST) (1826) .....	1
2	-	Door Assy. (W/Hinges) (SST) (2424) .....	1
3	01-660063	Door Assy. (W/Hinges) (SST) (Incls. Items 5, 6, 10, & 11) (1826-03) .....	1
4	01-065029	Catch – Door Magnet (2424/1826/1826-03) .....	2
5	-	Lockwasher #8 Internal .....	2
6	-	Mach. Screw 8-32 x 1/4 (Zinc) .....	2
7	01-060401	Bracket – Door Switch Option .....	1
8	01-062077	Switch Assy. – Door Interlock (Incls. Items 7 & 9) (1826-03) .....	1
9	01-205227	Switch – Snap Action (Door Interlock) (2424/1826/1826-03) .....	1
10	01-065009	Hinge – Lift Off (LH) (On Door) .....	2
11	01-065031	Handle – Door .....	1
	01-065010	Hinge – Lift Off (RH) .....	2

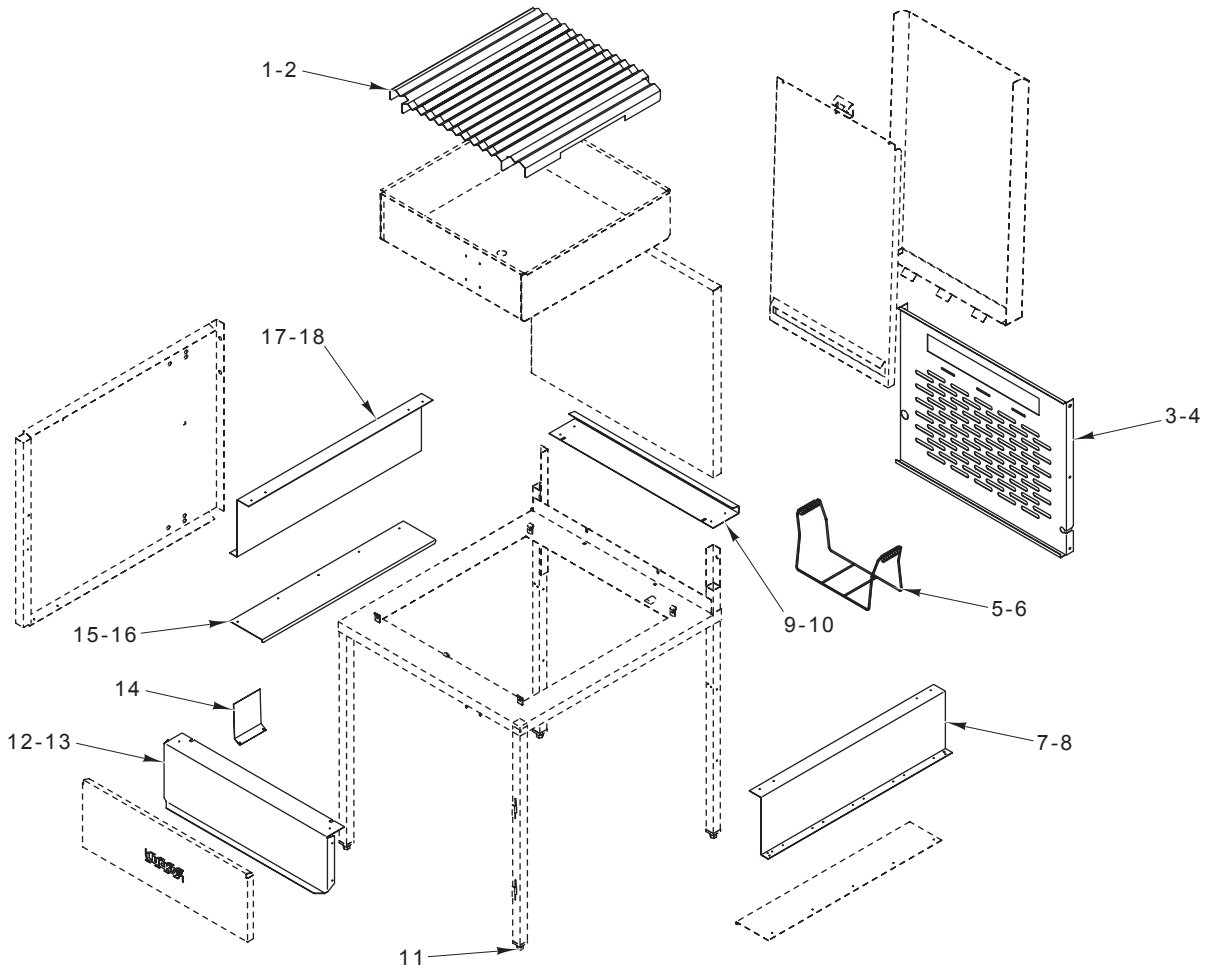


PL-57737

**CONTROL PANEL**

**CONTROL PANEL**

ILLUS.	PART NO.	NAME OF PART	AMT.
PL-57737			
1	01-065004	Knob – Thermostat (200-450 Deg. F) (2424/1826) .....	1
2	01-060235	Control Panel (1826/2424) .....	1
3	01-205205	Light – Red Neon (2424/1826) .....	1
4	01-065003	Thermostat (200-400 Deg. F) (1826/1826-03/2424) .....	1
5	01-065005	High Limit (450 Deg. F) (2424/1826/1826-03) .....	1
6	01-065006	Switch – Toggle (15/10 Amp., SPDT) (2424/1826) .....	1
7	01-207549	Circuit Breaker (3 Amp., 120 V.) (2424/1826/1826-03) .....	1
8	01-205207	Light – Green Neon (2424/1826) .....	1
9	01-665005	Control Panel (1826-03) .....	1
10	01-207535	Light – Red Neon (120 V.) (1826-03) .....	1
11	01-065006	Switch – Toggle (15/10 Amp., SPDT) (1826-03) .....	1
12	01-065003	Thermostat (200-400 Deg. F) (1826/1826-03/2424) .....	1
13	01-207536	Light – Green Neon (120 V.) (1826-03) .....	1
14	01-207549	Circuit Breaker (3 Amp., 120 V.) (2424/1826/1826-03) .....	1
15	01-065005	High Limit (450 Deg. F) (2424/1826/1826-03) .....	1
16	01-065004	Knob – Thermostat 200-450 Deg. F (1826-03) .....	1
	01-065007	Bushing Rodale x 1/2 In. Eagle #77 .....	2
	01-065079	Standoff 1/2 Dia. ....	AR

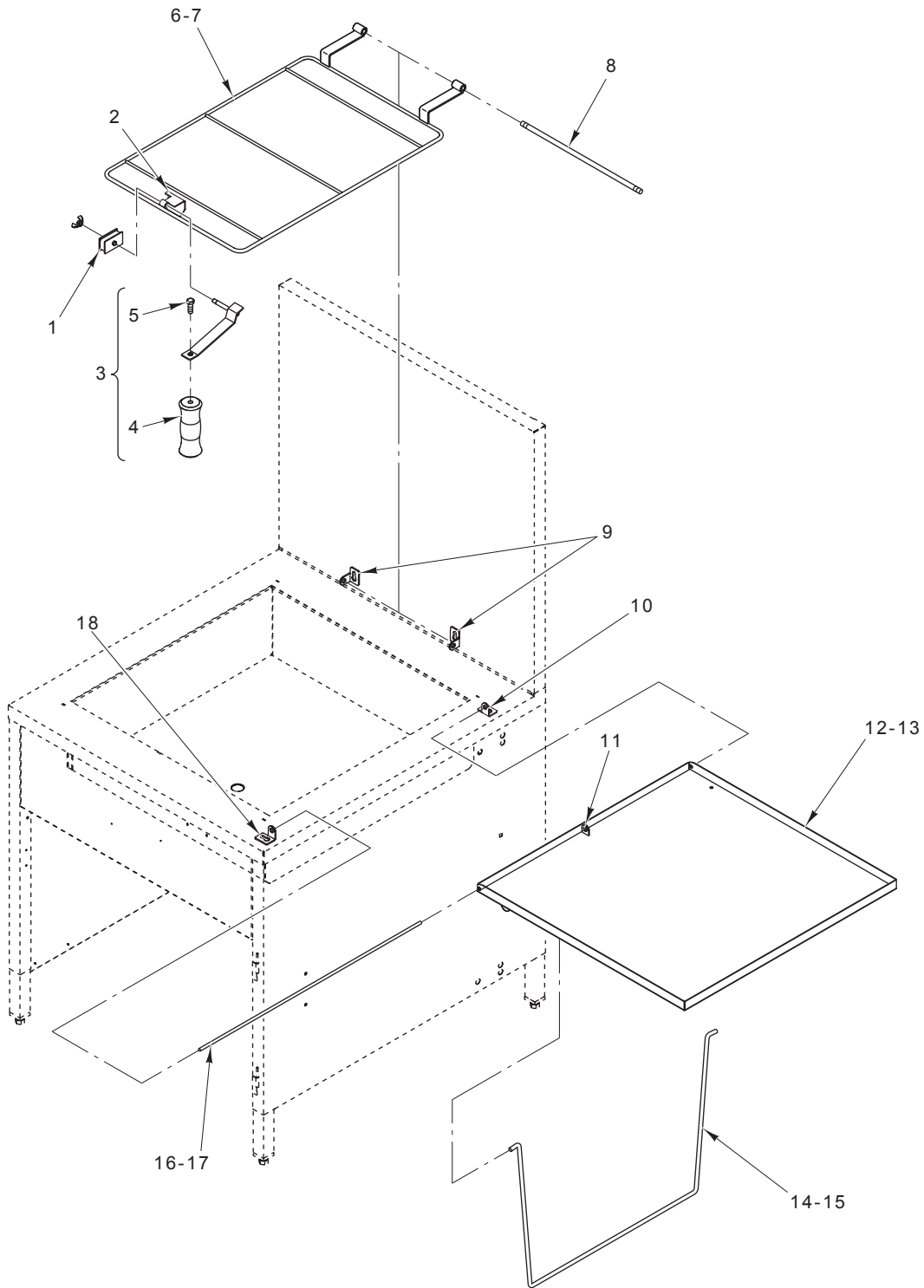


PL-57736

**CABINET**

**CABINET**

ILLUS.	PART NO.	NAME OF PART	AMT.
	PL-57736		
1	01-060413	Tray – Sediment (1826) .....	1
2	01-060414	Tray – Sediment (2424) .....	1
3	01-660083	Panel (Rear) (1826) .....	1
4	01-660084	Panel (Rear) (2424) .....	1
5	01-060264	Cradle (1826) .....	1
6	01-060265	Cradle (2424) .....	1
7	01-060073	Reflector (RH) (1826) (SST) .....	1
8	01-660034	Reflector (Side) (2424) (SST) .....	1
9	01-660033	Reflector (Rear) (1826) .....	1
10	01-660036	Reflector (Rear) (2424) .....	1
11	01-065030	Foot – Adjustable (1826-03) .....	4
12	01-060070	Reflector (Front) (1826) (SST) .....	1
13	01-660035	Reflector (Front) (2424) (SST) .....	1
14	01-065156	Plate – Spec (2002) (2424) .....	1
15	01-060083	Flame Guard (1826) .....	1
16	01-060084	Flame Guard (2424) .....	1
17	01-060074	Reflector (LH) (1826) (SST) .....	1
18	01-660037	Reflector (Side) (2424) (SST) .....	1
	01-060093	Bracket – Reflector Support .....	1
	01-207193	Receptacle (4-Pin) (12 In. Lead) (2424/1826/1826-03) .....	1
	01-065018	Cord – Power 16-3 SJO x 8 FT. ....	1
	01-207523	Cord – Power 16-3 x 6 Ft. (1826-03) .....	1
	01-075056	Grommet – Power Cord .....	1
	01-207521	Box – Junction 6 x 6 x 4 NEMA 1 .....	1
	01-060120	Bracket – Insulation Retaining (1826) .....	AR
	01-060079	Reflector – Rear (1826) .....	1

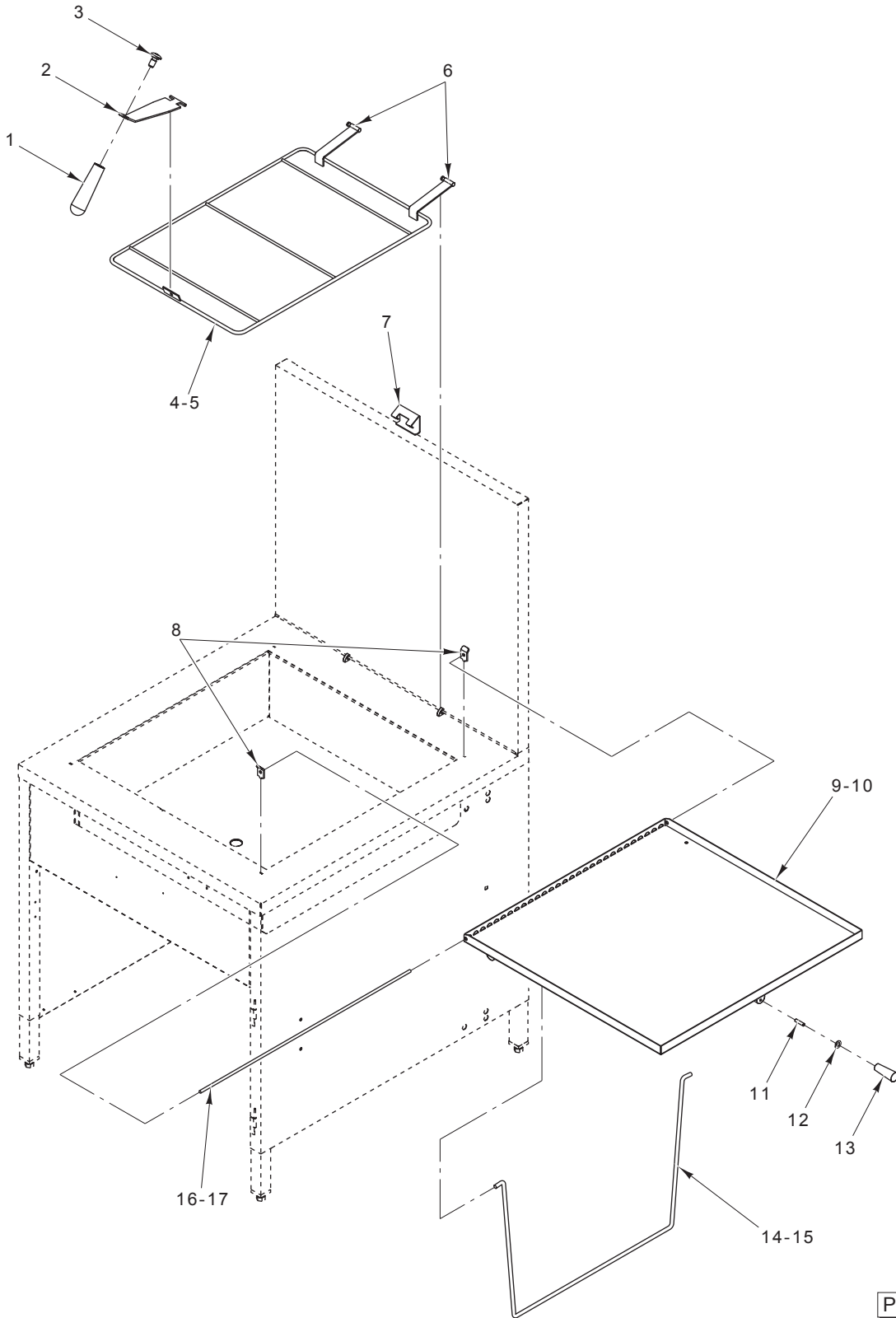


PL-57738

**TANK ASSEMBLY  
(PREVIOUS CONSTRUCTION)**

**TANK ASSEMBLY  
(PREVIOUS CONSTRUCTION)**

ILLUS. PL-57738	PART NO.	NAME OF PART	AMT.
1	01-060347	Latch Assy. – Submerger Screen Magnet (2424/1826) .....	1
2	01-061030	Mounting Bracket – Submerger Screen Handle .....	1
3	01-062040	Handle Assy. – Submerger Screen (1826/2424) (Incls. Items 4 & 5) .....	1
4	01-065032	Handle – Submerger Screen (1826/2424) .....	1
5	-	Cap Screw <sup>3</sup> / <sub>8</sub> -24 x 1 Hex Hd. ....	1
6	01-065087	Screen Assy. – Submerger (1826) (Incls. Item 2) .....	1
7	01-065088	Screen Assy. – Submerger (2424) (Incls. Item 2) .....	1
8	01-060129	Rod – Submerger Screen (1826/2424) .....	1
9	01-060011	Bracket – Submerger Screen Hinge .....	2
10	01-060014	Bracket – Hinge Drainboard (Removable) Back .....	1
11	01-060010	Bracket – Drain Board Hinge Center .....	1
12	01-061005	Drainboard Assy. (1826) .....	1
13	-	Drainboard Assy. (2424) .....	1
14	01-060023	Support Rod – Drainboard (1826) .....	1
15	-	Support Rod – Drainboard (2424) .....	1
16	01-060021	Pivot Rod – Drainboard (1826) .....	1
17	01-060022	Pivot Rod – Drainboard (2424) .....	1
18	01-060013	Bracket – Hinge Drainboard (Removable) Front .....	1
	01-060006	Bracket – Thermostat Bulb .....	1
	01-060105	Shield – Thermostat (High Limit) .....	1
	01-060112	Clip – Thermostat Bulb Retainer .....	1
	01-065079	Standoff .....	AR

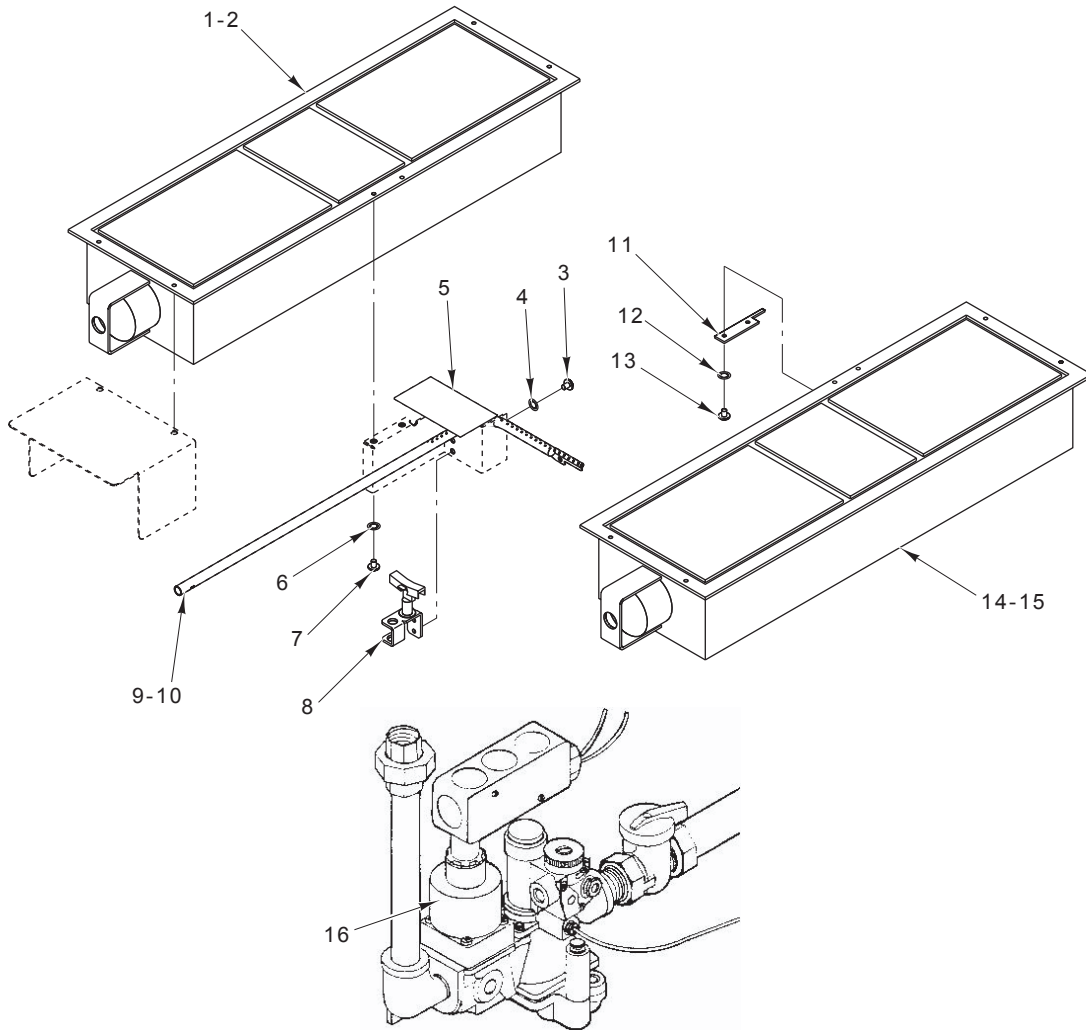


PL-57739

**TANK ASSEMBLY  
(CURRENT CONSTRUCTION)**

**TANK ASSEMBLY  
(CURRENT CONSTRUCTION)**

ILLUS. PL-57739	PART NO.	NAME OF PART	AMT.
1	01-065155	Handle – Submerger Screen .....	1
2	01-660022	Bar – Submerger Handle .....	1
3	01-660059	Bolt – Submerger Handle .....	1
4	01-660056	Submerger Screen Assy. (1826) (Incls. Items 1, 2, 3, & 6) .....	1
5	01-660068	Submerger Screen Assy. (2424) (Incls. Items 1, 2, 3, & 6) .....	1
6	01-660019	Pin – Hinge Loop .....	2
7	01-660014	Bracket – Submerger Hook .....	1
8	01-660006	Hinge Tab – Drainboard .....	4
9	01-660069	Drainboard Assy. (2424) .....	1
10	01-660055	Drainboard Assy. (1826) .....	1
11	01-207525	Stud – Fully Threaded 1/4-20 x 1 (SST) .....	1
12	01-205592	Lockwasher 1/4 Internal .....	1
13	01-207495	Handle .....	1
14	01-060023	Support Rod – Drainboard (1826) .....	1
15	-	Support Rod – Drainboard (2424) .....	1
16	01-060021	Pivot Rod – Drainboard (1826) .....	1
17	01-060022	Pivot Rod – Drainboard (2424) .....	1
	01-060105	Shield – Thermostat (High Limit) .....	1
	01-060112	Clip – Thermostat Bulb Retainer .....	1
	01-660044	Bracket – Thermostat Bulb .....	1

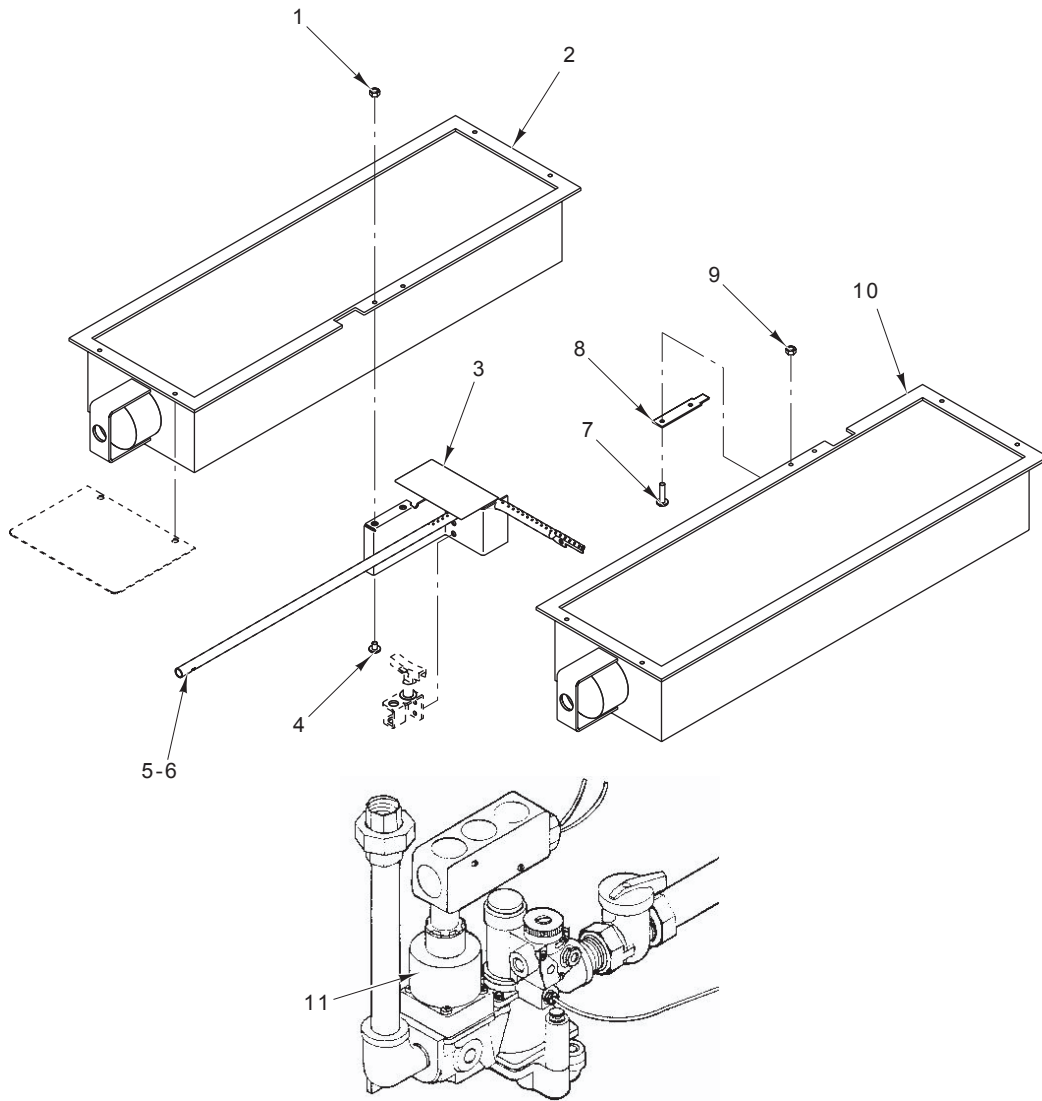


PL-57743

**BURNER ASSEMBLY (1826)**

**BURNER ASSEMBLY (1826)**

ILLUS.	PART NO.	NAME OF PART	AMT.
PL-57743			
1	01-062049	Burner Assy. – B25T (LH) (Incls. Items 2 thru 8) .....	1
2	01-065050	Burner .....	1
3	-	Mach. Screw 10-32 x 1/4 Phil. Pan Hd. ....	2
4	-	Lockwasher #10 Internal .....	2
5	01-061022	Bracket – Standing Pilot .....	1
6	-	Lockwasher #10 Internal .....	2
7	-	Mach. Screw 10-32 x 1/4 Phil. Pan Hd. ....	2
8	01-065037	Pilot – Standing .....	1
9	01-060106	Tube – Carryover .....	1
10	01-065108	Orifice – Carryover Tube #72 Male (NAT) .....	1
11	01-060184	Bracket – Carryover Tube Hold Down .....	1
12	-	Lockwasher #10 Internal .....	2
13	-	Mach. Screw 10-32 x 1/4 Phil. Pan Hd. ....	2
14	01-062050	Burner Assy. – B25-T (RH) (Incls. Items 11, 12, & 13) .....	1
15	01-065050	Burner (G1826/DC 16) .....	1
16	01-065015	Valve 1/2 In. (Gas Combination) (Basotrol) .....	1
	01-065019	Thermocouple – Gas Pilot .....	1
	01-207218	Valve 1 In. (SST) .....	1
	01-065108	Orifice – Carryover Tube #72 Male (NAT) .....	1
	01-060375	Orifice – Burner #53 Drilled (LP) .....	1
	01-205945	Elbow – Street 1/8 x 90 Deg. BMI 150# .....	1
	01-205946	Pipe 1/2 x CL SCH40 STL .....	1
	01-205952	Union – Pipe 1/2 In. BMI .....	1
	01-205955	Nut – Pipe Lock 1 In. BMI .....	1
	01-205044	Elbow – Street 1/2 In. 90 Deg. BMI .....	1
	01-205950	Plug – Pipe 1/8 In. BMI .....	1
	01-206137	Pipe 1 x 4 SCH40 .....	1
	01-207299	Pipe 1 x 4 1/2 In. (SST) .....	1

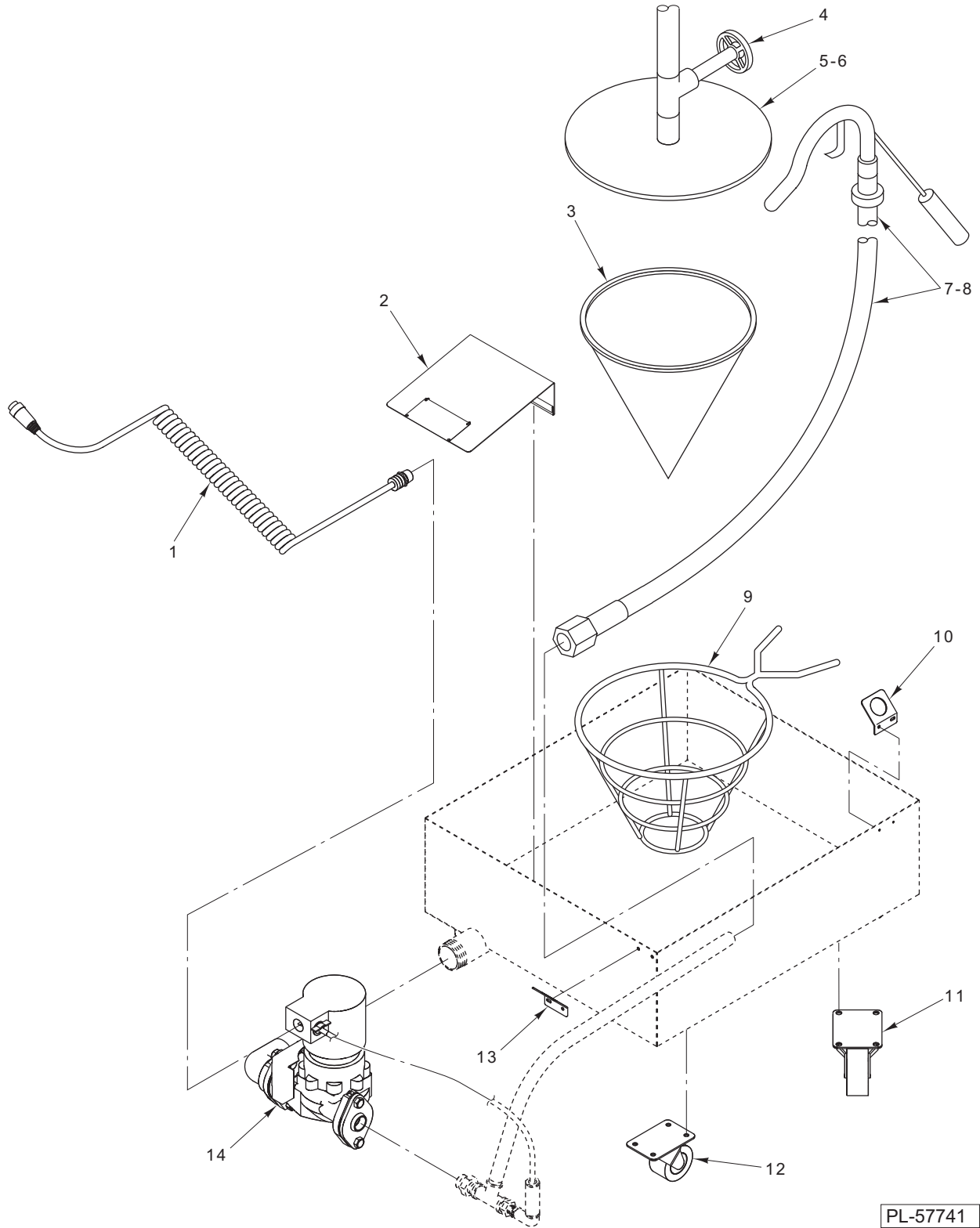


PL-57744

**BURNER ASSEMBLY (2424)**

**BURNER ASSEMBLY (2424)**

ILLUS.	PART NO.	NAME OF PART	AMT.
PL-57744			
1	-	Nut 10-32 KEPS (SST) .....	2
2	01-062053	Burner Assy. – B30T (LH) (Incls. Items 1, 3, & 4) .....	1
3	01-061022	Bracket – Standing Pilot .....	1
4	-	Mach. Screw 10-32 x 1/2 Phil. Truss Hd. (SST) .....	2
5	01-060107	Tube – Carryover .....	1
6	01-065108	Orifice – Carryover Tube #72 Male (NAT) .....	1
7	-	Mach. Screw 10-32 x 1/2 Phil. Truss Hd. (SST) .....	2
8	01-060184	Bracket – Carryover Tube Hold Down .....	1
9	-	Nut 10-32 KEPS (SST) .....	2
10	01-062054	Burner Assy. – B30T (RT) (Incls. Items 7, 8, & 9) .....	1
11	01-065015	Valve 1/2 In. (Gas Combination) (Basotrol) .....	1
	01-065019	Thermocouple – Gas Pilot .....	1
	01-207218	Valve 1 In. (SST) .....	1
	01-205985	Pipe 3/4 x 2 1/2 SCH40 .....	1
	01-205051	Pipe 3/4 x 1 1/2 .....	1
	01-205953	Reducer – Pipe 1/2 In. BMI .....	1



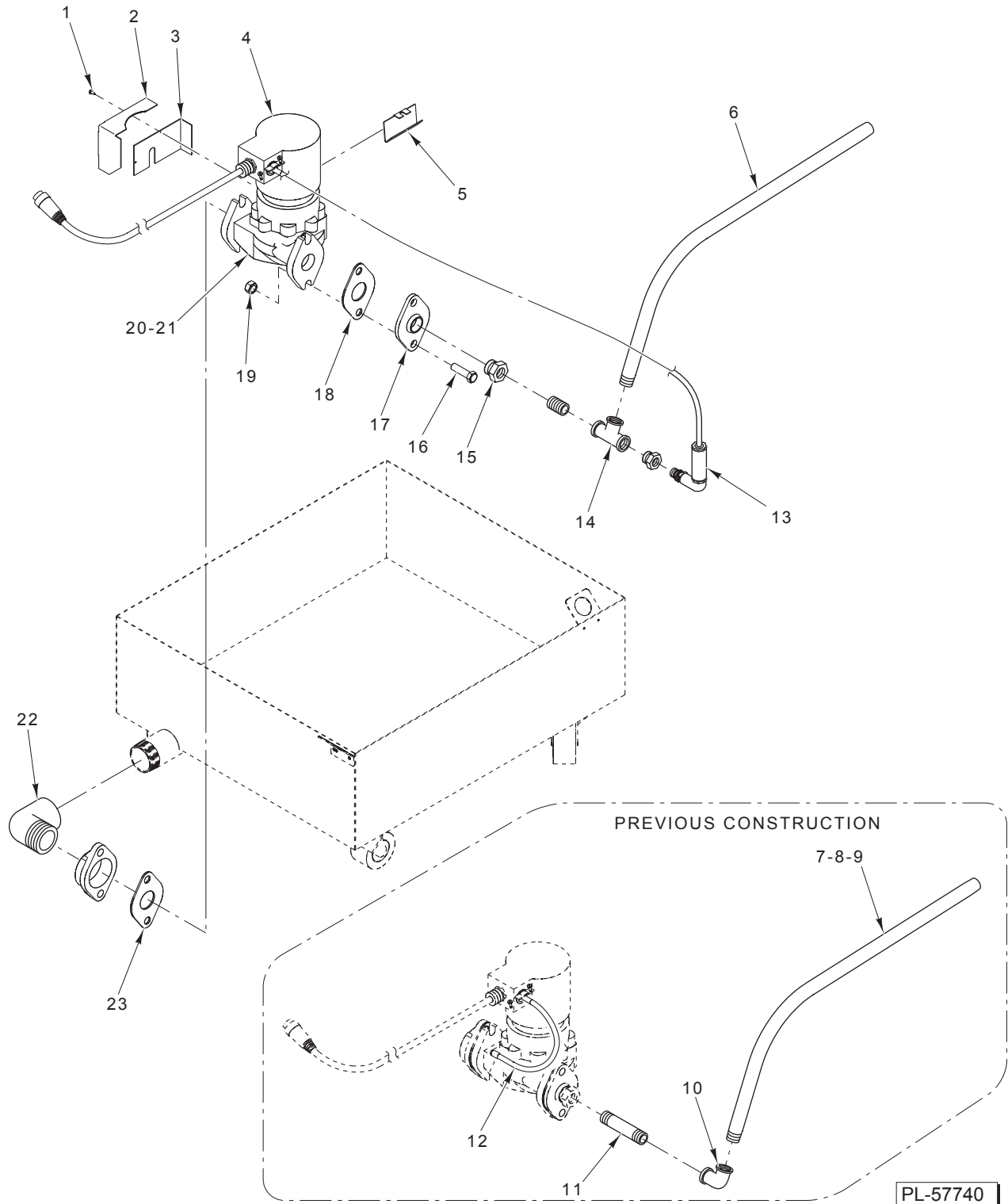
PL-57741

**FILTER SYSTEM**

**FILTER SYSTEM**

ILLUS.	PART NO.	NAME OF PART	AMT.
PL-57741			
1	01-207194	Plug 4-Pin (3 Ft. Pigtail) (2424/1826/1826-03) .....	1
2	01-062029	Shield Assy. – Filter Pump Grease .....	1
3	01-100V29-00001	Cones – Filter 13 In. (Box of 100) (Replaces 01-065098) (2424/1826) .....	1
4	01-060303	Valve – Gate 1 In. (W/Extended Stem) (Nickel Plated) (Made from 01-065096) .....	1
5	01-065142	Filter Disk – Fryer .....	1
6	01-660043	Nipple – Filter Disk .....	1
7	01-062301	Hose Assy. – Filter (W/O Hook) (2424/1826/1826-03) .....	1
8	01-660058	Hose Assy. – Filter (W/Hook) (1826-03) .....	1
9	01-060139	Basket – Filter (2424/1826/1826-03) .....	1
10	01-660047	Bracket – Filter Tank .....	1
11	01-065049	Caster – Swivel 3 In. ....	2
12	01-065048	Caster – Swivel 2½ In. ....	2
13	01-660047	Bracket - Pipe Filter Hose .....	1
14	01-062033	Filter Pump Assy. (W/O Cord & Plug) .....	1
	01-060156	Cover – Filter Tank (2424) .....	1
	01-060153	Cover – Filter Tank (1826) .....	1
	01-660053	Cover – Filter Tank (1826-03) .....	1

**LUCKS GAS DONUT FRYER REPLACEMENT PARTS**



**FILTER PUMP**

**FILTER PUMP**

ILLUS. PL-57740	PART NO.	NAME OF PART	AMT.
1	-	Screw TEK 6-20 x 3/8	2
2	01-060310	Shield – Element Heat (Pump B)	1
3	01-060311	Shield – Element Heat (Pump A)	1
4	01-065120	Motor – Filter Pump	1
5	01-060385	Bracket – Heat Pump Element	1
6	01-207502	Pipe 1/2 x 20.5 In. SCH40	1
7	01-065076	Pipe 1/2 x 19.5 In. (1826)	1
8	01-207534	Pipe 3/4 x 23.25 In. (2424)	1
9	01-060123	Pipe 3/4 x 24.75 In. SCH40 (2424)	1
10	01-205038	Elbow 1/2 x 90 Deg. 150#	1
11	01-205948	Pipe 1/2 x 5 In. SCH40	1
*12	-	Element – Filter Pump	1
13	01-207550	Cartridge – Heater 3 x 3 (100 W.) (Replaces 01-207160) (2424/1826/1826-03)	1
14	-	Tee	1
15	01-205954	Bushing – Hex Pipe 3/4 x 1/2 In. BMI	1
16	-	Screw 7/16-14 x 1 1/2 Hex Hd.	2
17	-	Flange (Pump) (3/4 In.) (1826-03)	1
18	01-065131	Gasket (1826/2424)	1
19	-	Nut 7/16-14 Hex	2
20	01-065027	Pump – Filter System	1
21	01-065118	Impeller – Filter Pump (1826-03)	1
22	01-205862	Elbow – Street 1 1/2 90 Deg. BMI 150#	1
23	01-065131	Gasket (1826/2424)	1
	01-065117	Gasket – Pump Housing (1826-03)	1
	01-065119	Magnet Assy. – Filter Pump Motor (1826-03)	1
	01-065133	Heater Assy.	1
	01-207167	Compound – Thermal Coupling (1826-03)	1

\* Replace with 01-207550, Item 13.

