



**CATALOG OF  
REPLACEMENT PARTS**

**VACUUM PACKING MACHINE**

MODEL H190G  
ML-44053

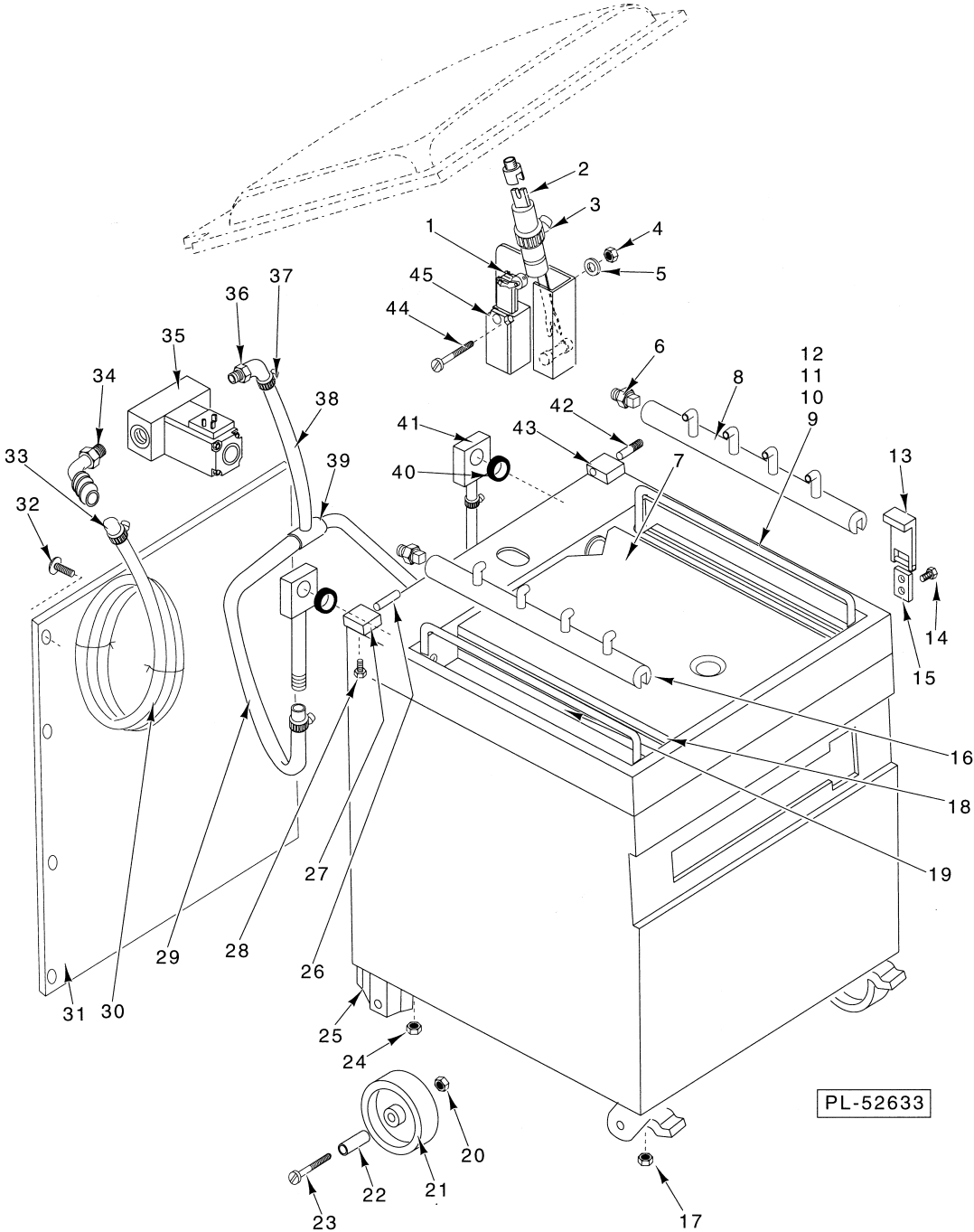


# MODEL H190G VACUUM PACKING MACHINE

## FORM 18234 Rev. A

### TABLE OF CONTENTS WITH PL NUMBERS

	PAGE	DESCRIPTION
	2	BLANK
	3	TABLE OF CONTENTS
PL-52633	5	CABINET
PL-52634	6	PNEUMATICS
PL-52635	7	VACUUM PUMP
PL-52636	9	ELECTRICAL
PL-52637	10	CONTROL PANEL
PL-52638	11	LID ASSEMBLY
PL-52639	12	SEALING BAR



CABINET

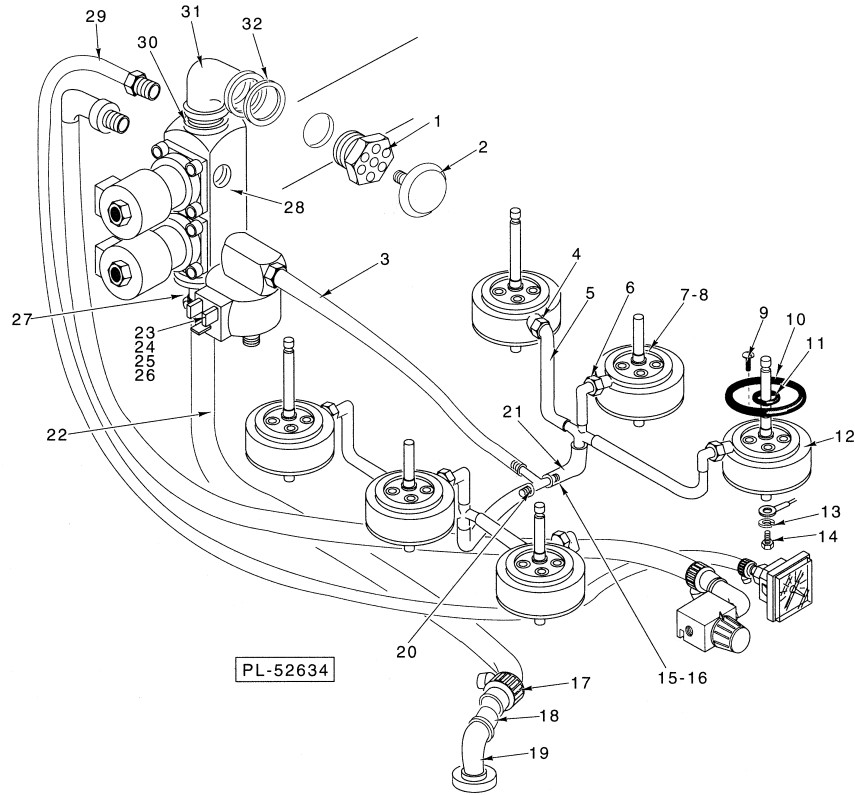
## CABINET

ILLUS. PL-52633	PART NO.	NAME OF PART	AMT.
1	00-032135	Roller - Limit .....	1
2	00-032132	Spring - Gas Pressure .....	1
3	00-539316	Clamp - Hose # 8 .....	1
4	NS-048-02	Stop Nut M4 SST .....	2
5	WL-006-01	Lockwasher 8 .....	2
6	00-032298	Screw - Hex Hd. (With Hole) .....	2
7	00-032376	Inclined Plate Assy. (Incls.Plate,Stop Face & Wing) .....	1
8	00-032155	Header - Gas (R.H.) .....	1
*9	00-032381	Bar - Hold Down .....	2
*10	00-032379	Hold Down Bracket Assy. ....	4
*11	SC-055-20	Set Screw 8-32 x 1/4 Soc. Hdls. Cup Pt. ....	8
**12	00-032361-00002	Bar - Hold Down .....	2
13	00-032076	Latch - Hood Lock .....	1
14	SC-121-54	Mach. Screw M4 x 16mm Flat Hd. ....	2
15	00-032077	Hinge - Hood Lock .....	1
16	00-032367	Header - Gas (L.H.) .....	1
17	00-032145	Caster - Steering .....	2
18	00-032130	Plate - Filler 415 x 490 x 18 .....	2
19	00-032131	Plate - Filler 390 x 490 x 18 .....	1
20	NS-048-04	Stop Nut M8 SST .....	4
21	00-032151	Wheel .....	4
22	00-032333	Bushing .....	4
23	SC-121-56	Cap Screw M4 x 60mm Socket Hex Hd. ....	4
24	NS-048-04	Stop Nut M8 SST .....	16
25	00-032143	Caster - Fixed .....	2
26	00-032093	Pin 6 Dia. x 40 .....	1
27	00-032184	Hinge (Left) .....	1
28	SC-121-57	Mach. Screw M8 x 10mm Socket Hex Hd. ....	4
29	00-032066-00002	Hose (From T-Piece, Gas Header) .....	AR
30	00-032066-00006	Hose-Gas Supply .....	AR
31	00-032358	Back Wall Assy. ....	1
32	SC-121-52	Mach. Screw M4 x 8mm Truss Hd. ....	6
33	00-528501	Clamp - Hose .....	2
34	00-032297	Socket - Elbow .....	1
35	00-032067	Valve - Gas Flush .....	1
36	00-032337	Elbow - Socket .....	2
37	00-528501	Clamp - Hose .....	1
38	00-032066-00003	Hose-T-Piece .....	AR
39	00-032141	T - Piece .....	1
40	00-032138	Gasket .....	2
41	00-032334	Connection .....	2
42	00-032091	Pin - Straight (Threaded) .....	1
43	00-032090	Hinge (Right) .....	1
44	SC-118-59	Mach. Screw M4 x 30mm Slotted Pan Hd. ....	2
45	00-032134	Switch - Limit .....	1

\*Used on Serial Number AV-053008 and earlier only.

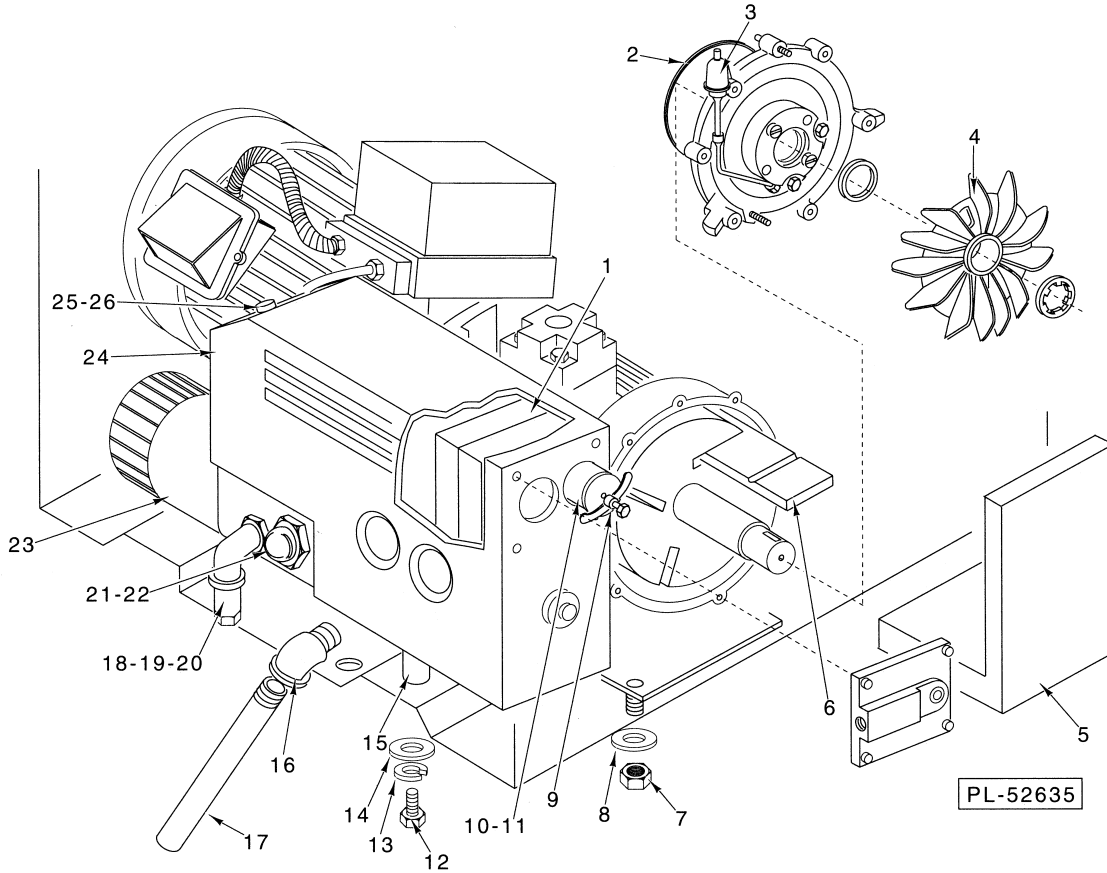
\*\*Used on Serial Numbers from AV-053009 on.

**MODEL H190G VACUUM PACKING MACHINE REPLACEMENT PARTS**



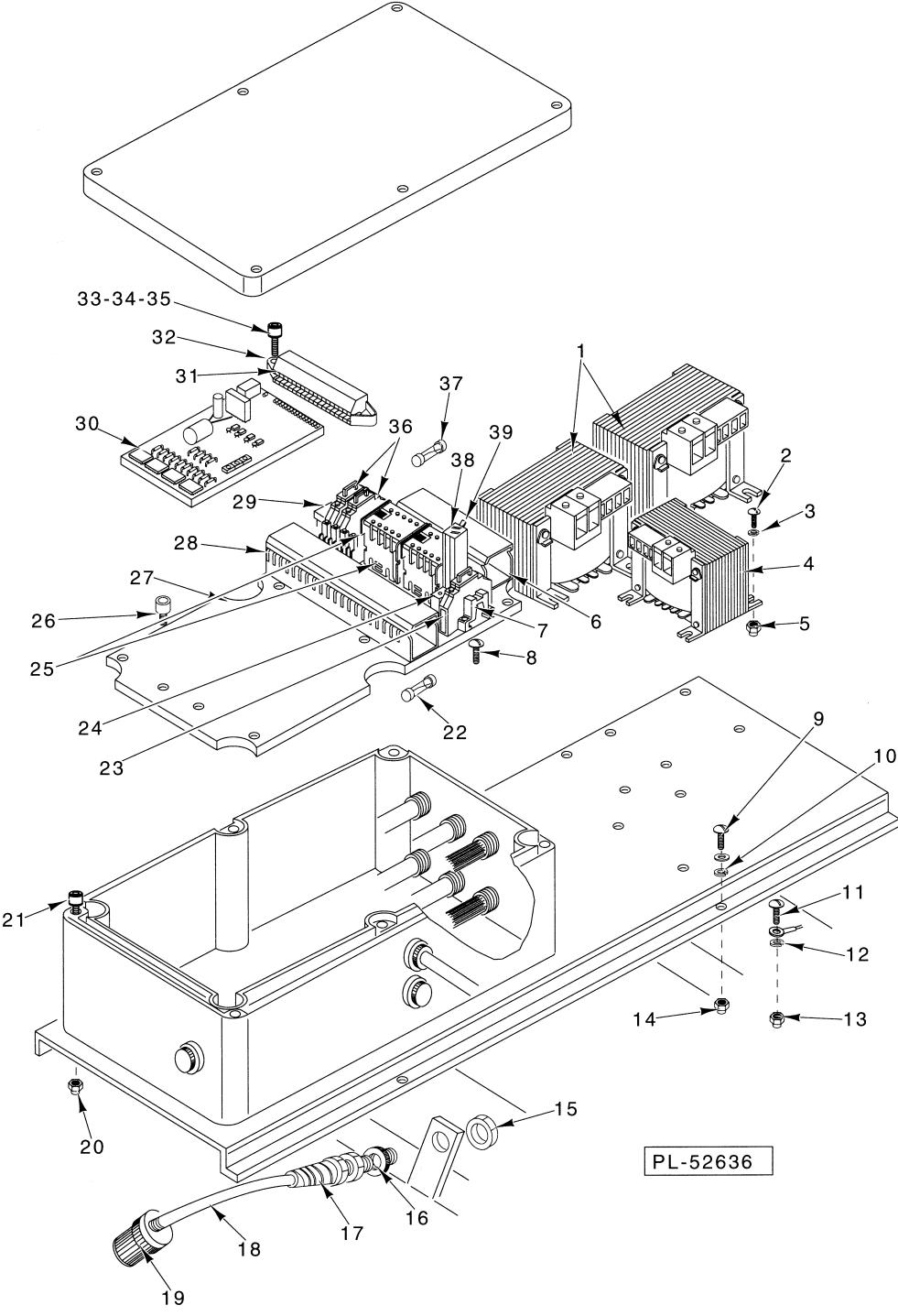
**PNEUMATICS**

ILLUS. PL-52634	PART NO.	NAME OF PART	AMT.
	1	Exhaust Piece .....	1
	2	Board - Splash .....	1
	3	Hose - Vacuum Cylinder 10 x 3 x 320 .....	AR
	4	Socket - Elbow .....	4
	5	Hose - Cylinder .....	AR
	6	Cross Piece .....	2
	7	"O" Ring .....	2
	8	Cylinder - Vacuum .....	2
	9	Mach. Screw M6 x 10mm Truss Hd. ....	24
	10	"O" Ring .....	4
	11	"O" Ring .....	6
	12	Cylinder - Vacuum .....	4
	13	Lockwasher 8 .....	6
	14	Mach. Screw M4 x 6mm Pan Hd. ....	4
	15	Socket - Straight 6 x 1/4 .....	1
	16	Socket - Straight .....	1
	17	Clamp - Hose .....	1
	18	Exhaust Piece .....	1
	19	Elbow .....	1
	20	T-Piece (Brass Chrome Plated) .....	1
	21	Hose - T-Piece 6 x 3 120 .....	AR
	22	Hose-Vacuum Pump .....	1
	23	Valve .....	1
	24	Socket- Straight .....	1
	25	Socket .....	1
	26	Nipple-Straight .....	1
	27	Clamp - Hose .....	1
	28	Joint - Valve .....	1
	29	Hose - Pressure Gauge .....	AR
	30	Nipple 1" x 40 .....	1
	31	Elbow 1" .....	1
	32	Washer - Sealing .....	1



VACUUM PUMP

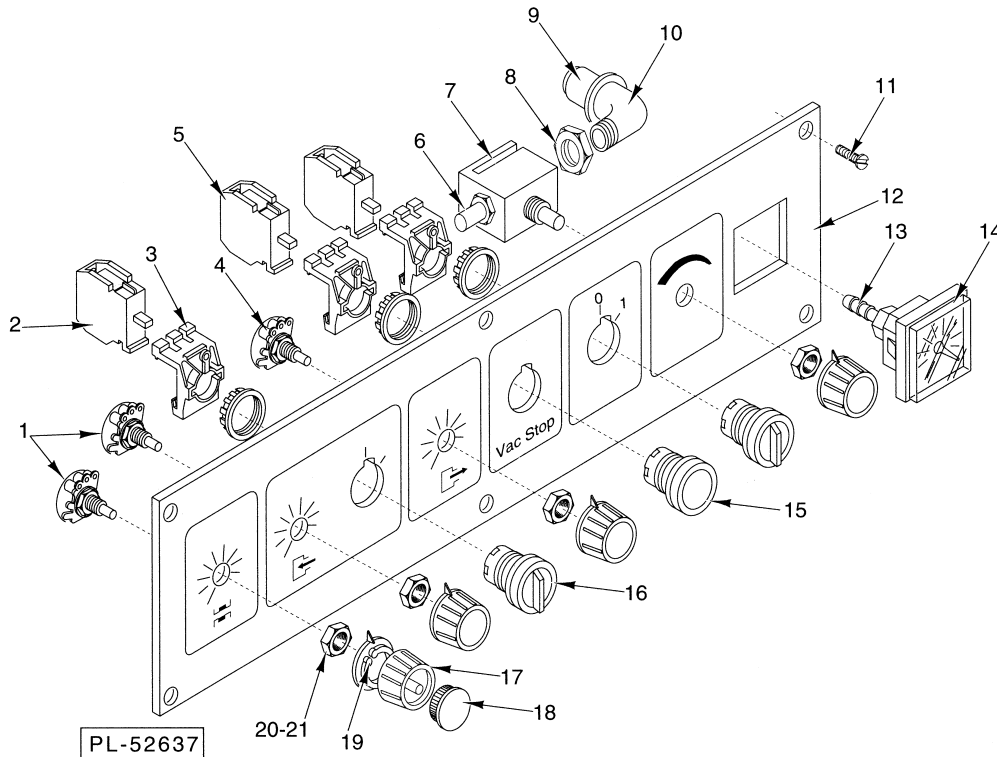
ILLUS. PL-52635	PART NO.	NAME OF PART	AMT.
1	00-032410	Strainer - Baffle .....	2
2	00-032399	"O" Ring - Endplate .....	1
3	00-032405	Filter - Gas Ballast .....	1
4	00-032409	Fan - Pump .....	1
5	00-032146	Duct - Air .....	1
6	00-032404	Vanes .....	3
7	NS-048-03	Stop Nut M6 SST .....	2
8	WS-019-06	Washer .....	2
9	00-032400	Filter Spring Assy. ....	1
10	00-032402	Filter - Exhaust .....	1
11	00-032401	"O" Ring - Filter .....	1
12	SC-120-62	Cap Screw M8 x 1.25 x 12mm Hex Hd. ....	3
13	WL-006-27	Lockwasher 3/8 Light .....	3
14	00-032349	Washer .....	3
15	00-032407	Foot .....	3
16	00-032330	Elbow .....	1
17	00-032345	Pipe - Exhaust .....	1
18	00-032144	Plug - Oil Drain .....	1
19	00-032411	"O" Ring - Plug .....	1
20	00-032545	Plug-Oil Drain .....	1
21	00-032106	Glass - Sight .....	1
22	00-032408	Gasket - Sight Glass .....	1
23	00-032086	Filter - Oil .....	1
24	00-032085	Pump-Vacuum (Incls. items 1 thru 4, 6, 9, 11, 18, 23, 25 & 26) .....	1
25	00-032084	Plug - Oil Refill .....	1
26	00-032412	"O" Ring - Plug .....	1



**ELECTRICAL**

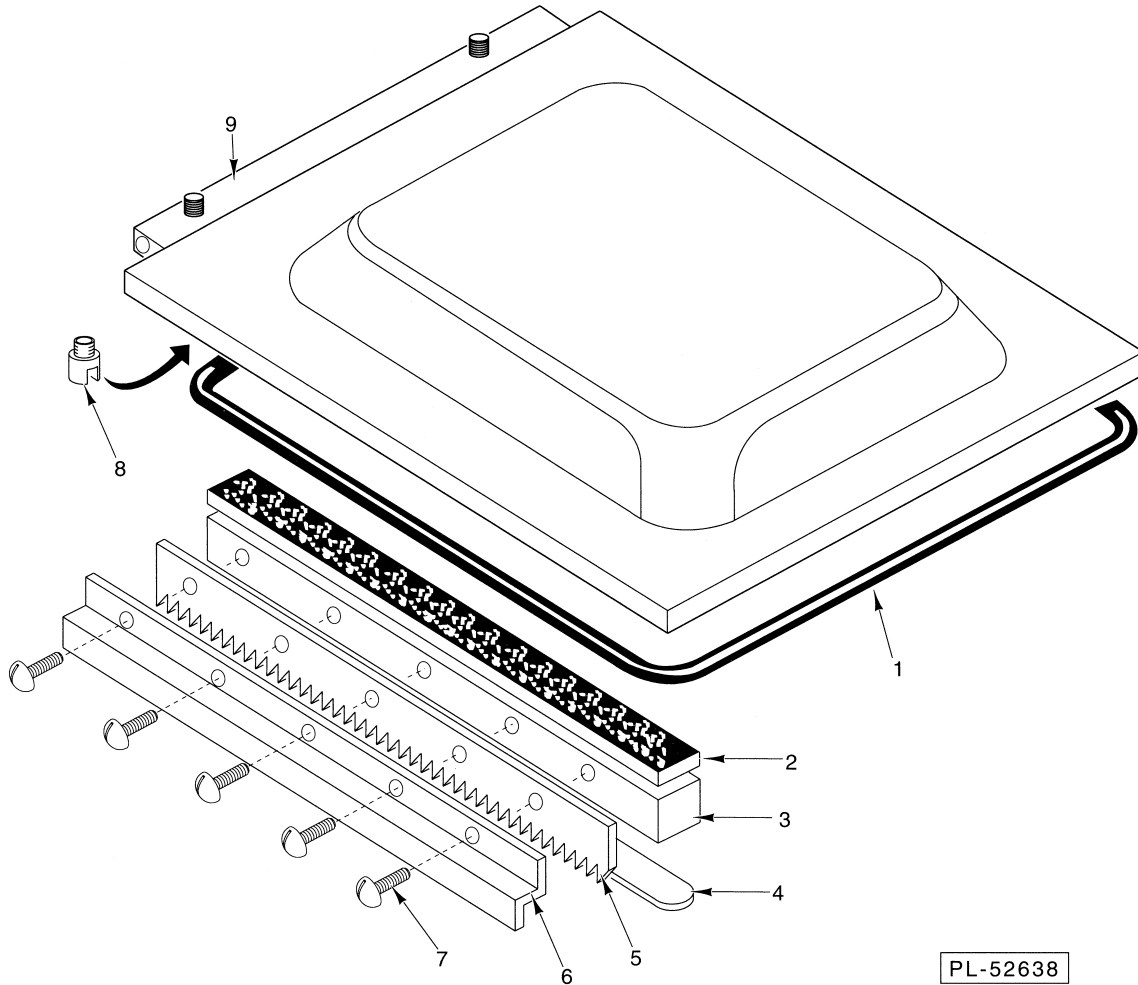
**ELECTRICAL**

ILLUS. PL-52636	PART NO.	NAME OF PART	AMT.
1	00-032097	Transformer (220V./18V., 400 VA) .....	2
2	SC-120-51	Mach. Screw M4 x 0.7 x 10mm Cheese Hd. ....	12
3	WS-023-21	Washer .....	12
4	00-032099	Transformer (220/24V, 100 VA) .....	1
5	NS-048-02	Stop Nut M4 SST .....	12
6	00-032100-00002	Duct - Cable .....	1
7	00-032115	Strap - Mounting .....	1
8	00-032268	Rivet - Plastic .....	4
9	SC-120-51	Mach. Screw M4 x 0.7 x 10mm Cheese Hd. ....	3
10	WL-006-01	Lockwasher 8 .....	3
11	SC-120-51	Mach. Screw M4 x 0.7 x 10mm Cheese Hd. ....	3
12	WL-006-01	Lockwasher 8 .....	3
13	NS-048-02	Stop Nut M4 SST .....	3
14	NS-048-02	Stop Nut M4 SST .....	3
15	00-032350	Nut - Hex .....	1
16	00-032072	Ring - Reduction .....	1
17	00-032073	Relief - Strain .....	1
18	00-032074	Cord - Power .....	1
19	00-032363	Plug (20A, 250V., 3 PH.) .....	1
20	NS-048-02	Stop Nut M4 SST .....	4
21	SC-121-22	Mach. Screw M4 x 16mm Cheese Hd. ....	4
22	FE-024-02	Fuse (2A) .....	1
23	00-032104	Fuseholder .....	1
24	00-032101	Socket - Plug-in .....	1
25	00-032116	Contactactor .....	2
26	00-032111	Bumper - Rubber .....	2
27	00-032112	Plate - Base .....	1
28	00-032100-00001	Duct - Cable .....	1
29	00-032114	Terminal - Ground .....	3
30	00-032443	Board-PC .....	1
31	00-032107	Socket - Plug-In .....	1
32	00-032108	Strap - Mounting .....	2
33	SC-121-65	Mach. Screw M3 x 16mm Cheese Hd. ....	2
34	NS-047-47	Full Nut M3 Hex .....	2
35	WS-030-22	Washer .....	2
36	00-032104	Fuseholder .....	2
37	FE-024-79	Fuse (1A) .....	2
38	00-032103	Relay .....	1
39	00-032202	Strap - Mounting .....	2



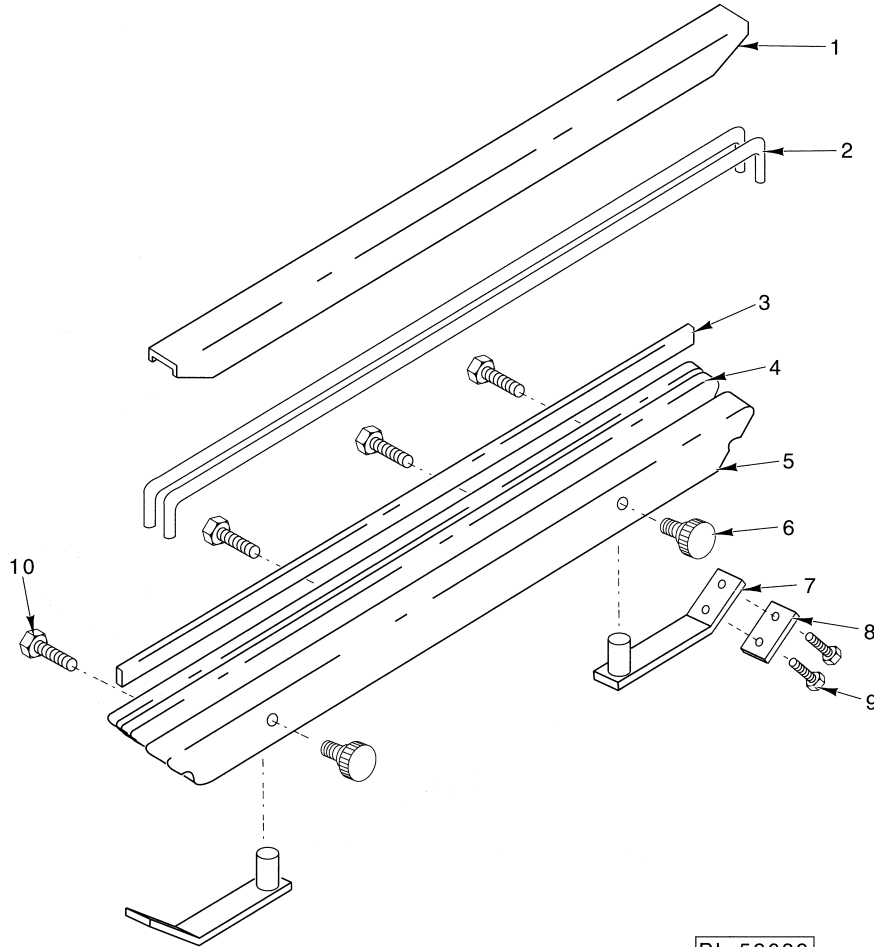
**CONTROL PANEL**

ILLUS. PL-52637	PART NO.	NAME OF PART	AMT.
1	00-032158	Potentiometer 470 K-OHM .....	2
2	00-032165	Contactors .....	1
3	00-032164	Strap - Mounting .....	3
4	00-032162	Potentiometer 1 M OHM .....	1
5	00-032166	Contactors .....	2
6	00-032169	Muffler .....	1
7	00-032168	Valve - Throttling .....	1
8	00-032347	Nut R $\frac{1}{2}$ " .....	1
9	00-032335	Pipe - Exhaust R $\frac{1}{2}$ " x 40 .....	1
10	00-032336	Elbow - Socket .....	1
11	SC-121-52	Mach. Screw M4 x 8mm Truss Hd. ....	6
12	00-032157	Board (Aluminum) .....	1
13	00-032300	Socket - Straight .....	1
14	00-032170	Gauge - Vacuum .....	1
15	00-032167	Pushbutton .....	1
16	00-032163	Switch - Selector .....	2
17	00-032159	Knob .....	4
18	00-032160	Cap .....	4
19	00-032161	Disc - Pointer .....	4
20	00-032348	Nut M10 Hex .....	6
21	NS-047-52	Full Nut M10 Hex .....	1



**LID ASSEMBLY**

ILLUS. PL-52638	PART NO.	NAME OF PART	AMT.
1	00-032059	Gasket (Cut to 86 1/4") .....	1
2	00-032060	Strip - Double Adhesive .....	2
3	00-032061	Holder - Silicone Strip .....	2
4	00-032062	Strip - Silicone .....	2
5	00-032063	Knife .....	2
6	00-032064	Protection - Knife .....	2
7	SC-121-52	Mach. Screw M4 x 8mm Truss Hd. ....	10
8	00-032065	Bracket - Pressure Spring .....	1
9	00-032528	Lid .....	1
	00-032527	Lid Assy. (Incls. items 1, 2, 3, 8 & 9) .....	1



PL-52639

**SEALING BAR**

ILLUS. PL-52639	PART NO.	NAME OF PART	AMT.
1	00-032127	Strip - Teflon (Cut to 19") .....	1
2	00-032126	Rod - Arched .....	2
3	00-032129	Strip-Silicone (Red)(Cut to 19") .....	1
4	00-032128	Bar - Phenolic Laminate 30mm x 12mm x 490mm .....	1
5	00-032288	Bar - Phenolic Laminate 30mm x 18mm x 490mm .....	1
6	00-032301	Screw - Knurled M4 x 6 .....	2
7	00-032282	Bar - Heat Conveyance (Right & Left) .....	2
8	00-032236	Clip .....	2
9	SC-120-51	Mach. Screw M4 x 0.7 x 10mm Cheese Hd. ....	4
10	SC-121-60	Mach. Screw M5 x 20mm Truss Hd. ....	4
	00-032121	Sealing Bar Assy. (Incls. items 1 thru 10) .....	1