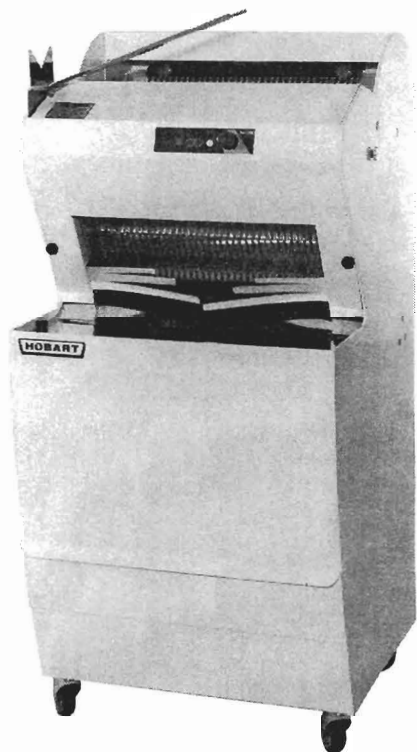




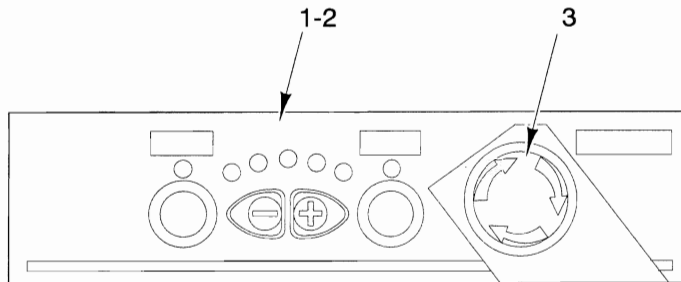
# CATALOG OF REPLACEMENT PARTS



## MODEL HAB500 BREAD SLICER

HAB500

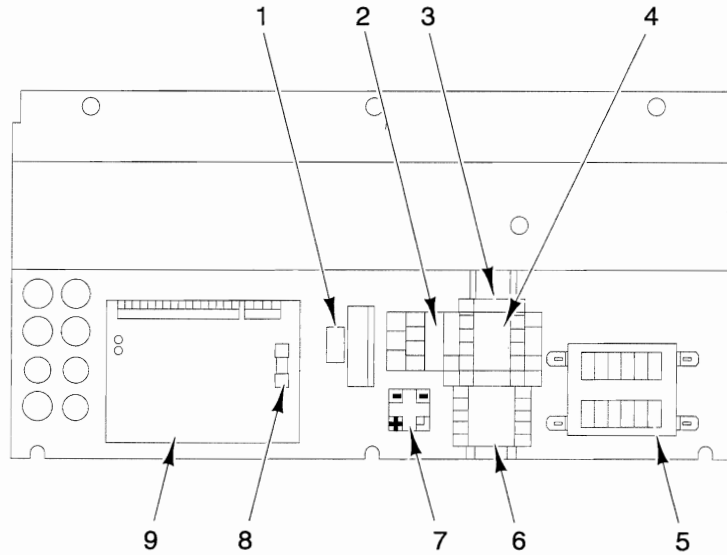
ML-104845



PL-53352

**KEYPAD UNIT**

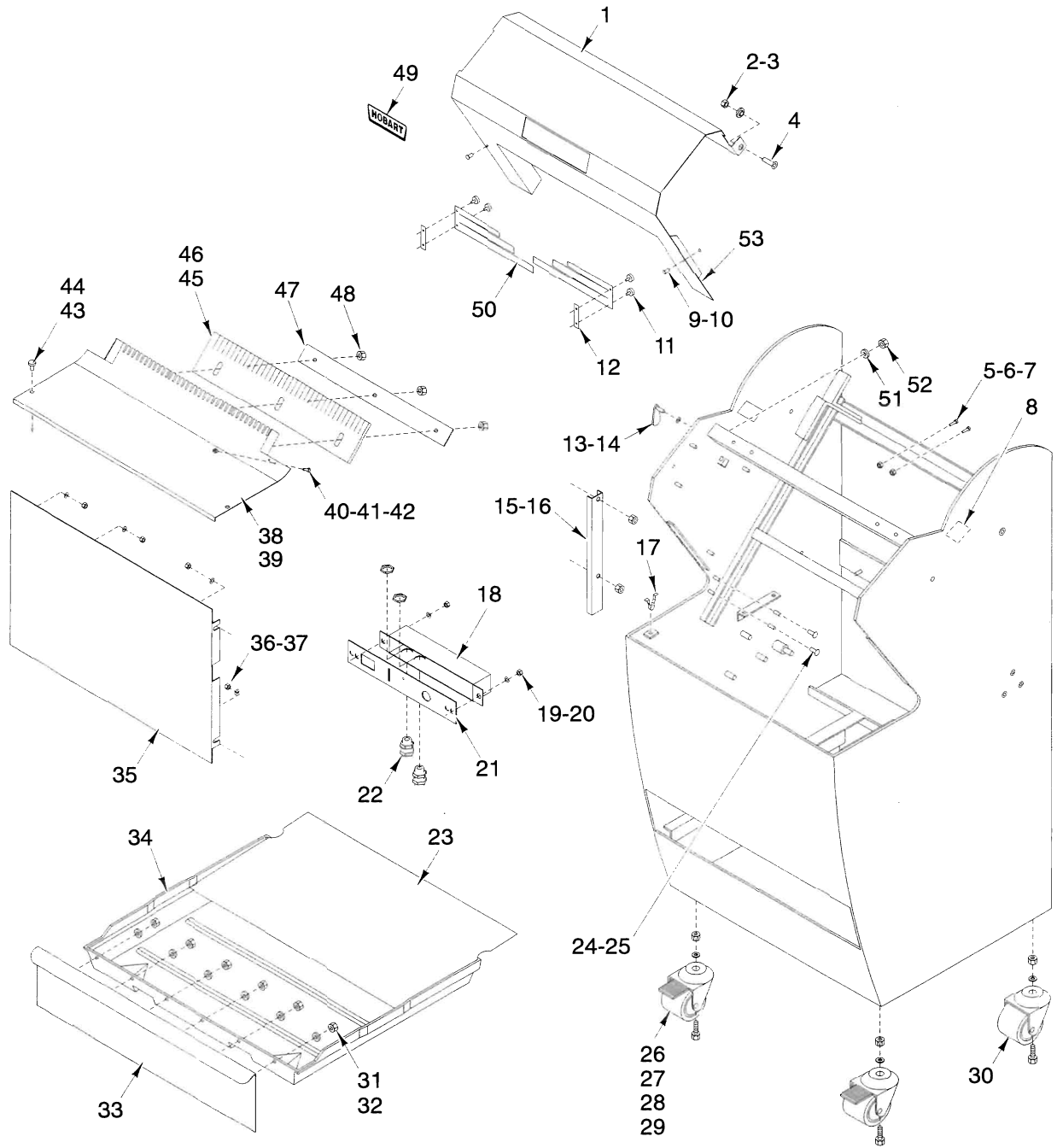
ILLUS.	PART NO.	NAME OF PART	AMT.
1	00-873042	Board - Keypad .....	1
2	00-873075	Keypad - Membrane .....	1
3	00-873074	Switch - Stop Operator .....	1



PL-53351

### ELECTRICAL SUPPORT

ILLUS. PL-53351	PART NO.	NAME OF PART	AMT.
1	FE-024-94	Fuse 250 V., 4 A .....	1
2	00-088196-00031	Relay - Overload .....	1
3	00-873025	Block - Terminal .....	1
4	00-087713-100-2	Contactor .....	1
5	00-873039	Transformer .....	1
6	00-087713-089-4	Contactor 24 VAC .....	2
7	00-873040	Rectifier - Bridge .....	1
8	FE-025-84	Fuse - 250 V., 6.3 Amps. ....	1
9	00-873041	Board - Printed Circuit .....	1

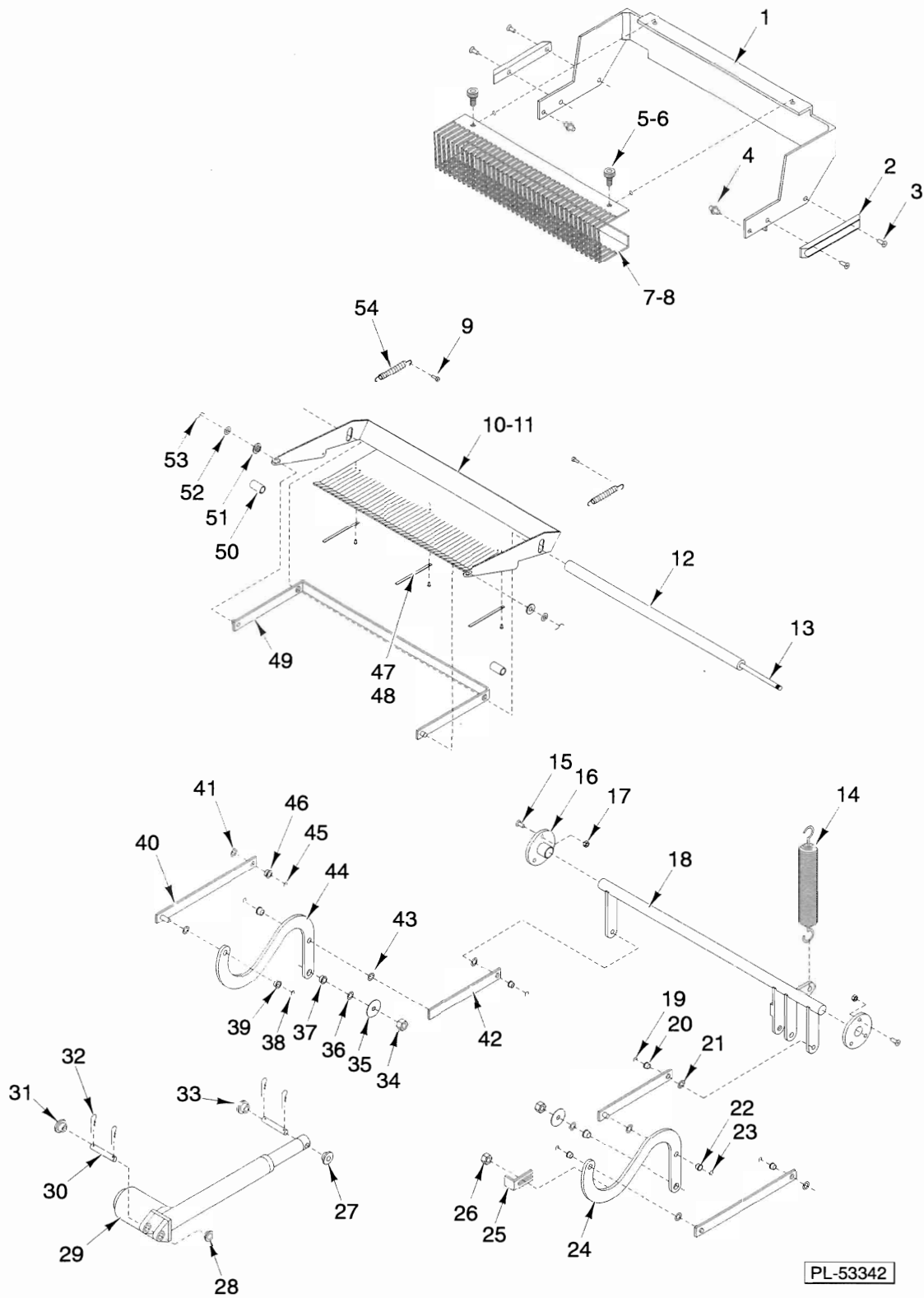


PL-53341

**FRONT COVER UNIT**

## FRONT COVER UNIT

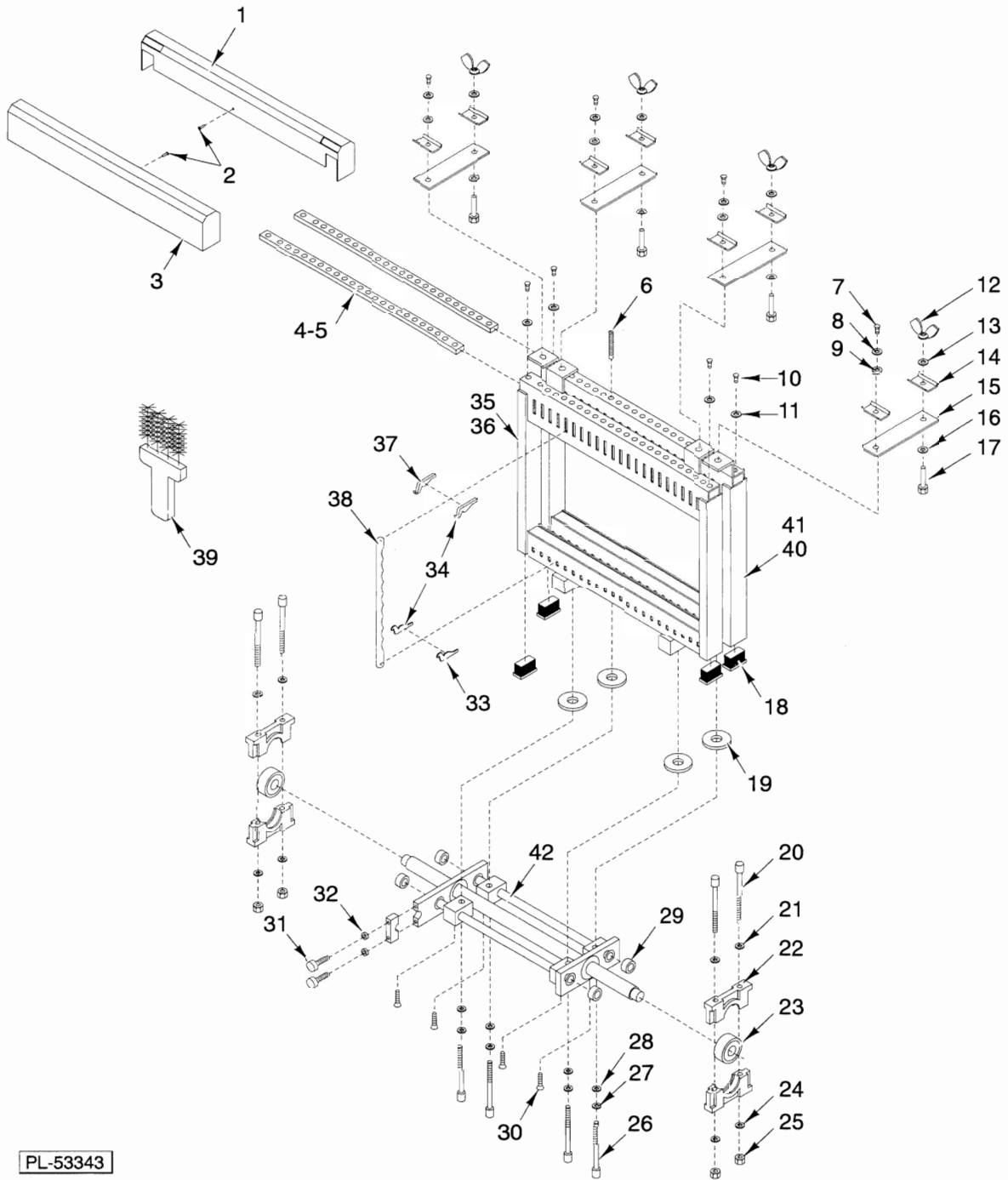
ILLUS. PL-53341	PART NO.	NAME OF PART	AMT.
1	00-479836-00001	Cover - (White) .....	1
2	00-479978	Bushing - Nylon .....	2
3	NS-048-48	Nut - Lock Special M8 Hex .....	2
4	SC-118-70	Cap Screw M8 x 20 mm Flat Hd. ....	2
5	SC-121-22	Mach. Screw M4 x 0.7 x 16mm Cheese Hd. ....	2
6	NS-048-46	Nut - Lock Special M4 Hex .....	2
7	00-873028	Switch - Reed .....	1
8	00-873049	Switch - Electric Eye .....	1
9	00-873066-00001	Screw - Knurled Thumb .....	2
10	00-873037-00002	Washer - Starlock .....	2
11	00-873021-00003	Screw - Knurled Thumb M4 x 10 mm .....	4
12	00-873033	Bracket - Flap .....	2
13	00-873262	Plate - Axle .....	1
14	00-873055	Washer - Nylon .....	1
15	00-479918	Channel - Wiring .....	1
16	NS-048-47	Nut - Lock Special M6 Hex .....	2
17	00-873143	Receptacle - Clip .....	2
18	00-479914	Box - Tactile Switch .....	1
19	NS-048-47	Nut - Lock Special M6 Hex .....	2
20	WS-030-32	Washer 6.4mm x 12.5mm x 1.5mm .....	2
21	00-479915	Support - Box .....	1
22	FE-024-10	Strain Relief .....	2
23	00-479850	Panel - Drawer .....	1
24	00-873263	Tube - 6 x 9 x 25 .....	4
25	SC-118-25	Mach. Screw M4 x 6mm Pan Hd. ....	4
26	NS-048-49	Nut - Lock M10 Special Hex .....	4
27	WS-030-46	Washer 10.5 x 22 .....	4
28	00-479887	Caster - W/Brake .....	2
29	SC-124-61	Cap Screw M10 x 1.50 x 40mm Hex Hd. ....	4
30	00-479927	Caster - W/O Brake .....	2
31	NS-047-34	Nut - Crown M6 x 1 SST. ....	6
32	WS-030-43	Washer 6.4 mm .....	6
33	00-479912-00001	Drawer - Face (White) .....	1
34	00-479969	Drawer - Tray .....	1
35	00-479906	Panel - Interior .....	1
36	NS-048-47	Nut - Lock Special M6 Hex .....	4
37	WS-030-32	Washer 6.4mm x 12.5mm x 1.5mm .....	4
38	00-479866-00001	Table - Front (1/2") .....	1
39	00-479866-00002	Table - Front (3/8") .....	1
40	SC-118-26	Mach. Screw M4 x 10mm Flat Hd. ....	2
41	NS-048-46	Nut - Lock Special M4 Hex .....	2
42	00-873053	Magnet .....	1
43	00-873259-00002	Grip - "T" .....	2
44	00-873142	Stud .....	2
45	00-479845-00001	Guide - Front Table (1/2") .....	1
46	00-479845-00002	Guide - Front Table (3/8") .....	1
47	00-479926	Guide - Table .....	1
48	NS-048-47	Nut - Lock Special M6 Hex .....	3
49	00-873065	Logo - Hobart .....	1
50	00-479901	Flap - Lateral .....	2
51	WS-030-32	Washer 6.4mm x 12.5mm x 1.5mm .....	2
52	NS-048-47	Nut - Lock Special M6 Hex .....	2
53	00-873028	Switch - Reed .....	1



PUSHER UNIT

## PUSHER UNIT

ILLUS. PL-53342	PART NO.	NAME OF PART	AMT.
1	00-479900	Pusher - Carriage .....	1
2	00-479844	Guide - Carriage .....	2
3	SC-124-63	Mach. Screw M6 x 16 mm Flat Hd. ....	4
4	00-479977	Pin - Coupling .....	2
5	00-873021-00002	Screw - Knurled Thumb M8 x 12 mm .....	2
6	RR-012-08	Retaining - Ring Din 471 .....	2
7	00-479829-00001	Pusher - Bread (1/2" Slice Thickness) .....	1
8	00-479829-00002	Pusher - Bread (3/8" Slice Thickness) .....	1
9	SC-118-25	Mach. Screw M4 x 6mm Pan Hd. ....	2
10	00-479864-00001	Plate - Pressing (1/2") .....	1
11	00-479864-00002	Plate - Pressing (3/8") .....	1
12	00-479852	Pipe - Pressing Plate .....	1
13	00-479919	Axle - Pressing Plate .....	1
14	00-873023	Spring - Soft Traction .....	1
15	SC-124-63	Mach. Screw M6 x 16 mm Flat Hd. ....	6
16	00-479973	Axle - Bearing .....	2
17	NS-048-47	Nut - Lock Special M6 Hex .....	6
18	00-479897	Axle - Pulling Assy. ....	1
19	RR-011-88	Retaining Ring Series 8 .....	2
20	00-479892-00003	Bushing 8 x 6 .....	2
21	SL-005-09	Spring - Loading .....	2
22	00-479892-00002	Bushing M8 x 15 mm .....	2
23	RR-011-88	Retaining Ring Series 8 .....	2
24	00-873079	Lever - S Actuator .....	1
25	00-479891	Lever - Motor Switch .....	1
26	NS-048-47	Nut - Lock Special M6 Hex .....	1
27	00-873032	Bushing .....	1
28	00-479892-00006	Bushing 12 x 7 .....	1
29	00-873043	Actuator - SKF .....	1
30	00-873076	Axle - Actuator .....	2
31	00-479892-00006	Bushing 12 x 7 .....	1
32	00-873077	Pin - Actuator Axle .....	4
33	00-873032	Bushing .....	1
34	NS-048-48	Nut - Lock Special M8 Hex .....	2
35	WS-030-66	Washer 8.4 mm .....	2
36	SL-005-13	Spring - Loading Din 137A .....	2
37	00-479892-00005	Bushing 10 x 7 .....	2
38	RR-011-88	Retaining Ring Series 8 .....	2
39	00-479892-00003	Bushing 8 x 6 .....	2
40	00-873081	Link - Long .....	2
41	SL-005-09	Spring - Loading .....	4
42	00-873080	Link - Short .....	2
43	SL-005-09	Spring - Loading .....	2
44	00-873078	Lever - S Flywheel .....	1
45	RR-011-88	Retaining Ring Series 8 .....	2
46	00-479892-00002	Bushing M8 x 15 mm .....	2
47	00-479985	Guide - Comb .....	3
48	RS-032-99	Rivet - Pop .....	3
49	00-479920	Bar - Articulation .....	1
50	00-873035	Stop - Rubber .....	2
51	00-479892-00001	Bushing 8 x 2 .....	2
52	SL-005-09	Spring - Loading .....	2
53	RR-011-88	Retaining Ring Series 8 .....	2
54	00-479998	Spring - Pressing Plate .....	2

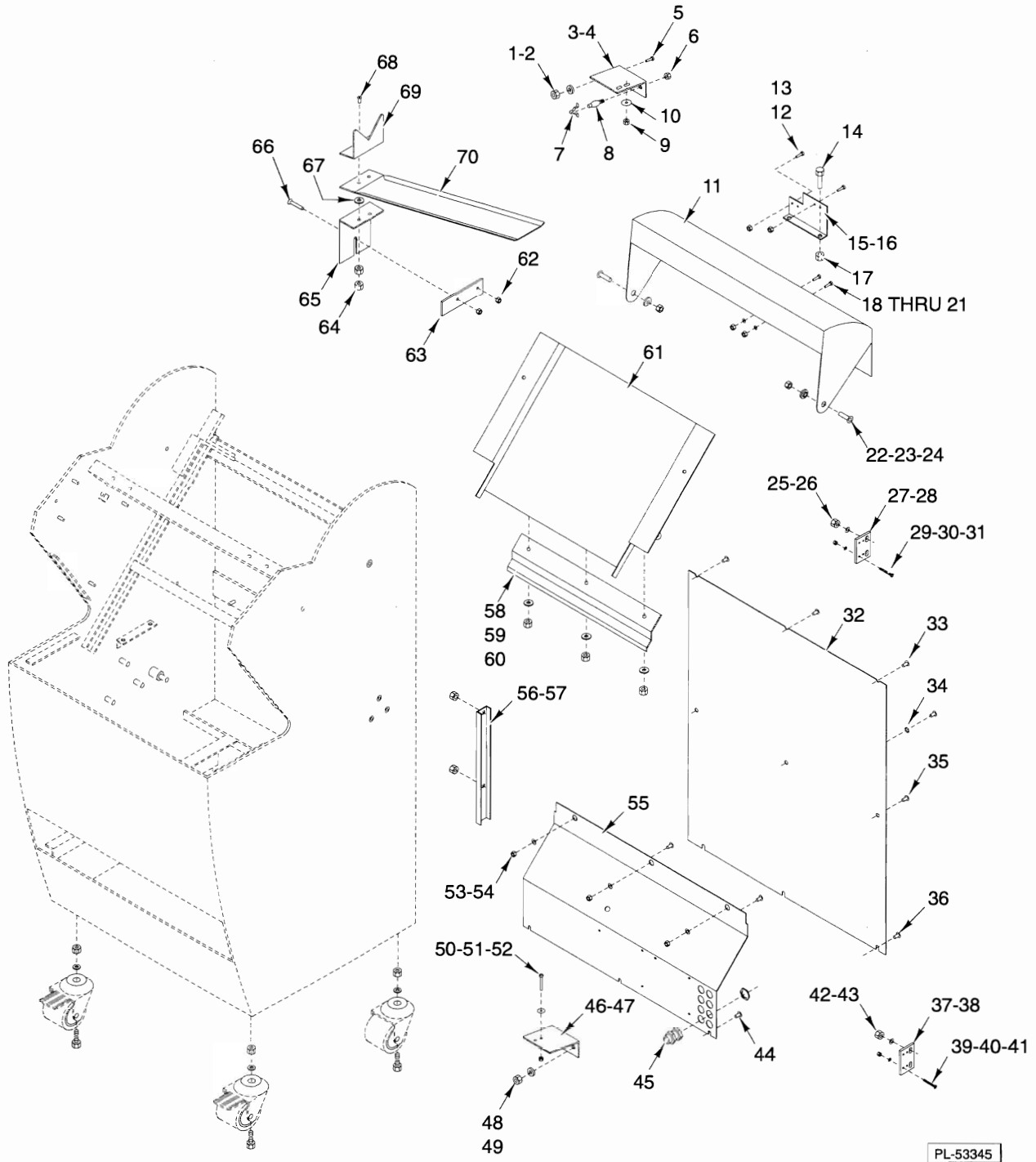


PL-53343

**FRAME UNIT**

## FRAME UNIT

ILLUS. PL-53343	PART NO.	NAME OF PART	AMT.
1	00-873052	Cover - Rear Frame .....	1
2	SC-121-22	Mach. Screw M4 x 0.7 x 16mm Cheese Hd. ....	2
3	00-479847	Cover - Front Frame .....	1
4	00-479835-00001	Plate - Threaded (1/2" Slice Thickness) .....	2
5	00-479835-00002	Plate - Threaded (3/8" Slice Thickness) .....	2
6	SC-124-65	Set Screw M8 x 50 mm Hdls., Flat Pt. ....	AR
7	SC-121-15	Cap Screw M8 x 16mm Hex Hd. ....	4
8	WL-019-74	Lockwasher 8.2mm Medium .....	4
9	WS-030-44	Washer 8.4 x 16 .....	4
10	SC-121-15	Cap Screw M8 x 16mm Hex Hd. ....	4
11	WL-019-74	Lockwasher 8.2mm Medium .....	4
12	NS-048-53	Nut - Wing M8 .....	4
13	WL-019-74	Lockwasher 8.2mm Medium .....	4
14	00-479837	Frame - Linkage Fastener .....	8
15	00-479975	Frame - Linkage 140MM .....	4
16	WS-030-44	Washer 8.4 x 16 .....	4
17	SC-118-25	Mach. Screw M4 x 6mm Pan Hd. ....	4
18	00-479931	Cap - Frame .....	4
19	00-479979	Washer (Set) .....	1
20	SC-119-25	Cap - Screw M8 x 100 mm Hex Hd. ....	4
21	WS-030-44	Washer 8.4 x 16 .....	4
22	00-479974	Bushing - Shaft Half .....	4
23	BB-005-46	Ball Bearing - Fafnir 204KDDFS50545 .....	2
24	WS-030-44	Washer 8.4 x 16 .....	4
25	NS-048-48	Nut - Lock Special M8 Hex .....	4
26	SC-124-62	Cap Screw M10 x 60 mm Soc. Hd. ....	4
27	WL-019-89	Lockwasher M10 .....	4
28	WS-030-46	Washer 10.5 x 22 .....	4
29	BB-005-19	Ball Bearing - Fafnir #H202PP .....	4
30	SC-118-68	Cap Screw M6 x 20mm Soc. Fil. Hd. ....	4
31	SC-121-87	Cap Screw M8 x 40mm Hex Hd. ....	2
32	WL-019-74	Lockwasher 8.2mm Medium .....	2
33	00-479825-00002	Holder - Knife (Left) .....	AR
34	00-479825-00001	Holder - Knife (Right) .....	AR
35	00-873070-00001	Frame - Front (1/2" Slice Thickness) .....	1
36	00-873070-00002	Frame - Front (3/8" Slice Thickness) .....	1
37	00-479825-00002	Holder - Knife (Left) .....	AR
38	00-479824	Knife 10 mm .....	AR
39	00-873013	Brush - Cleaning .....	1
40	00-873071-00001	Frame - Rear (1/2") .....	1
41	00-873071-00002	Frame - Rear (3/8") .....	1
42	00-479831	Axle - Oscillating Assy. (Incls. Item 29) .....	1



PL-53345

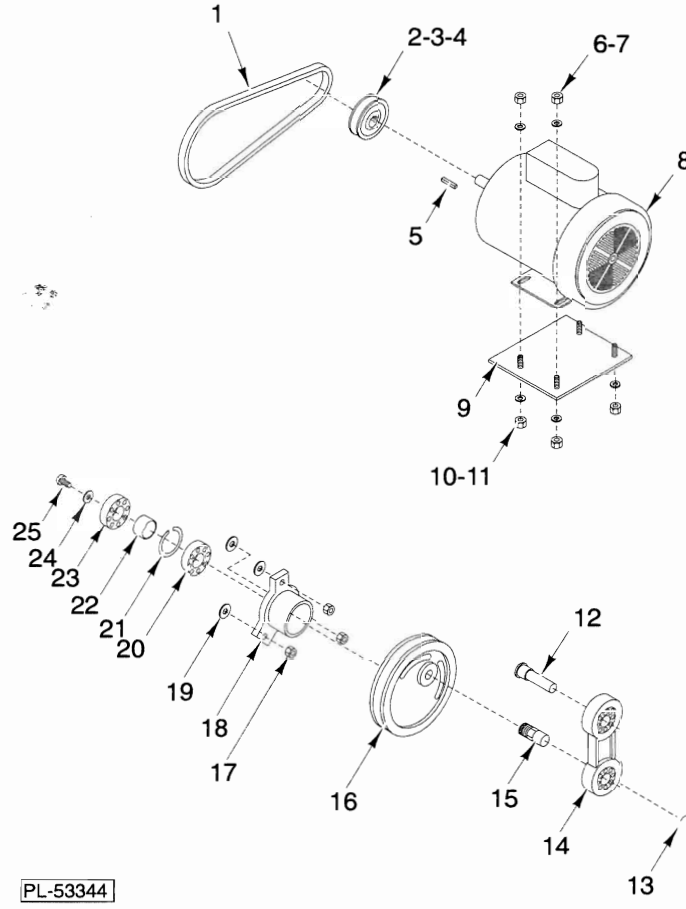
**REAR COVER & TABLE**

ILLUS. PL-53345	PART NO.	NAME OF PART	AMT.
1	NS-048-46	Nut - Lock Special M4 Hex .....	2
2	WS-030-51	Washer 4.3mm x 12mm x 1.0mm .....	2
3	00-873264	Plate - Fastening .....	1
4	00-873053	Magnet .....	1
5	SC-120-61	Mach. Screw M4 x 07 x 10mm Cheese Hd. ....	2
6	NS-047-34	Nut - Crown M6 x 1 SST. ....	1

## REAR COVER &amp; TABLE (CON'T)

ILLUS. PL-53345	PART NO.	NAME OF PART	AMT.
7	00-873143	Receptacle - Clip .....	1
8	00-873142-00002	Stud .....	1
9	NS-048-47	Nut - Lock Special M6 Hex .....	2
10	WS-030-32	Washer 6.4mm x 12.5mm x 1.5mm .....	2
11	00-479907-00001	Cover - Rear (White) .....	1
12	SC-120-61	Mach. Screw M4 x 07 x 10mm Cheese Hd. ....	2
13	NS-048-46	Nut - Lock Special M4 Hex .....	2
14	SC-118-54	Cap Screw Met M6 x 1.0 x 16mm Hex Hd. ....	2
15	00-873082	Plate - Mounting .....	1
16	00-873028	Switch - Reed .....	1
17	NS-048-47	Nut - Lock Special M6 Hex .....	2
18	SC-120-61	Mach. Screw M4 x 07 x 10mm Cheese Hd. ....	2
19	WS-030-51	Washer 4.3mm x 12mm x 1.0mm .....	2
20	NS-048-46	Nut - Lock Special M4 Hex .....	2
21	00-873053	Magnet .....	1
22	SC-118-70	Cap Screw M8 x 20 mm Flat Hd. ....	2
23	NS-048-48	Nut - Lock Special M8 Hex .....	2
24	00-479978	Bushing - Nylon .....	2
25	NS-048-47	Nut - Lock Special M6 Hex .....	2
26	WS-030-32	Washer 6.4mm x 12.5mm x 1.5mm .....	2
27	00-479928	Plate - Adapter .....	1
28	00-087711-00315	Switch - Limit (Home) .....	1
29	SC-118-39	Mach. Screw M4 x 30 mm Flat Hd. ....	2
30	WS-030-51	Washer 4.3mm x 12mm x 1.0mm .....	2
31	NS-048-46	Nut - Lock Special M4 Hex .....	2
32	00-479856-00001	Cover - Electrical .....	1
33	00-873021-00001	Screw - Knurled Thumb M6 x 10 .....	3
34	WL-019-57	Lockwasher M6 External Shakeproof .....	1
35	SC-118-54	Cap Screw Met M6 x 1.0 x 16mm Hex Hd. ....	3
36	SC-118-54	Cap Screw Met M6 x 1.0 x 16mm Hex Hd. ....	3
37	00-479928	Plate - Adapter .....	1
38	00-087711-00313	Switch - Limit (Front) .....	1
39	SC-118-39	Mach. Screw M4 x 30 mm Flat Hd. ....	2
40	WS-030-51	Washer 4.3mm x 12mm x 1.0mm .....	2
41	NS-048-46	Nut - Lock Special M4 Hex .....	2
42	NS-048-47	Nut - Lock Special M6 Hex .....	2
43	WS-030-32	Washer 6.4mm x 12.5mm x 1.5mm .....	2
44	SC-117-48	Mach. Screw M6 x 12 mm Pan Hd. ....	6
45	FE-024-10	Strain Relief .....	8
46	00-873015	Bracket - Drawer Switch .....	1
47	00-087711-00314	Switch - Limit (Drawer) .....	1
48	NS-048-47	Nut - Lock Special M6 Hex .....	2
49	WS-030-32	Washer 6.4mm x 12.5mm x 1.5mm .....	2
50	SC-121-81	Mach. Screw M4 x 40mm Phil. Cheese Hd. ....	2
51	WS-030-51	Washer 4.3mm x 12mm x 1.0mm .....	2
52	NS-048-46	Nut - Lock Special M4 Hex .....	2
53	WS-030-43	Washer 6.4 mm .....	3
54	NS-048-47	Nut - Lock Special M6 Hex .....	3
55	00-873018	Support - Electrical .....	1
56	00-479918	Channel - Wiring .....	1
57	NS-048-47	Nut - Lock Special M6 Hex .....	2
58	00-479932	Plate - Rear Table .....	1
59	WS-030-43	Washer 6.4 mm .....	2
60	NS-048-47	Nut - Lock Special M6 Hex .....	2
61	00-479876	Table - Non-Indented .....	1
62	NS-048-47	Nut - Lock Special M6 Hex .....	2
63	00-479970	Bracket - Bag Spade .....	1
64	NS-048-47	Nut - Lock Special M6 Hex .....	2
65	00-479869	Support - Bag Spade .....	1
66	00-873030	Knob .....	1
67	00-873055	Washer - Nylon .....	2
68	SC-117-48	Mach. Screw M6 x 12 mm Pan Hd. ....	2
69	00-479842	Stop - Adjustable .....	1
70	00-479874	Spade - Bag .....	1

**HAB500 BREAD SLICER REPLACEMENT PARTS**



PL-53344

**DRIVE UNIT**

ILLUS. PL-53344	PART NO.	NAME OF PART	AMT.
1	BV-013-36	"V" - Belt .....	1
2	00-479930	Pulley A-56 .....	1
3	SC-117-33	Set Screw M8 x 1.25 x 12mm Hdls. Cup Pt. ....	1
4	SC-117-35	Set Screw M6 x 1.0 x 10 mm Hdls., Cup Pt. ....	1
5	00-873051	Key - Motor Shaft .....	1
6	WS-030-44	Washer 8.4 x 16 .....	4
7	NS-048-48	Nut - Lock Special M8 Hex .....	4
8	00-479929	Motor (Incls. Item 5) .....	1
9	00-873014	Support - Motor .....	1
10	WS-030-66	Washer 8.4 mm. ....	4
11	NS-048-48	Nut - Lock Special M8 Hex .....	4
12	00-479840	Pin - Swiveling .....	1
13	RR-012-06	Retaining Ring Din 471 .....	1
14	00-479885	Rod - Connecting .....	1
15	00-479840	Pin - Swiveling (Axle) .....	1
16	00-479839	Flywheel - Groove A .....	1
17	NS-048-49	Nut - Lock M10 Special Hex .....	3
18	00-479838	Axle - Flywheel Box .....	1
19	00-873064	Washer M10 Dia. ....	3
20	BB-017-39	Ball Bearing - MRC 205 SZZ-01-ST-A-92-C .....	1
21	RR-012-07	Retaining Ring Met Din 472 .....	1
22	00-479884	Spacer - Axle Box .....	1
23	BB-017-39	Ball Bearing - MRC 205 SZZ-01-ST-A-92-C .....	1
24	WS-030-66	Washer 8.4 mm. ....	1
25	SC-121-15	Cap Screw M8 x 16mm Hex Hd. ....	1