



CATALOG OF REPLACEMENT PARTS



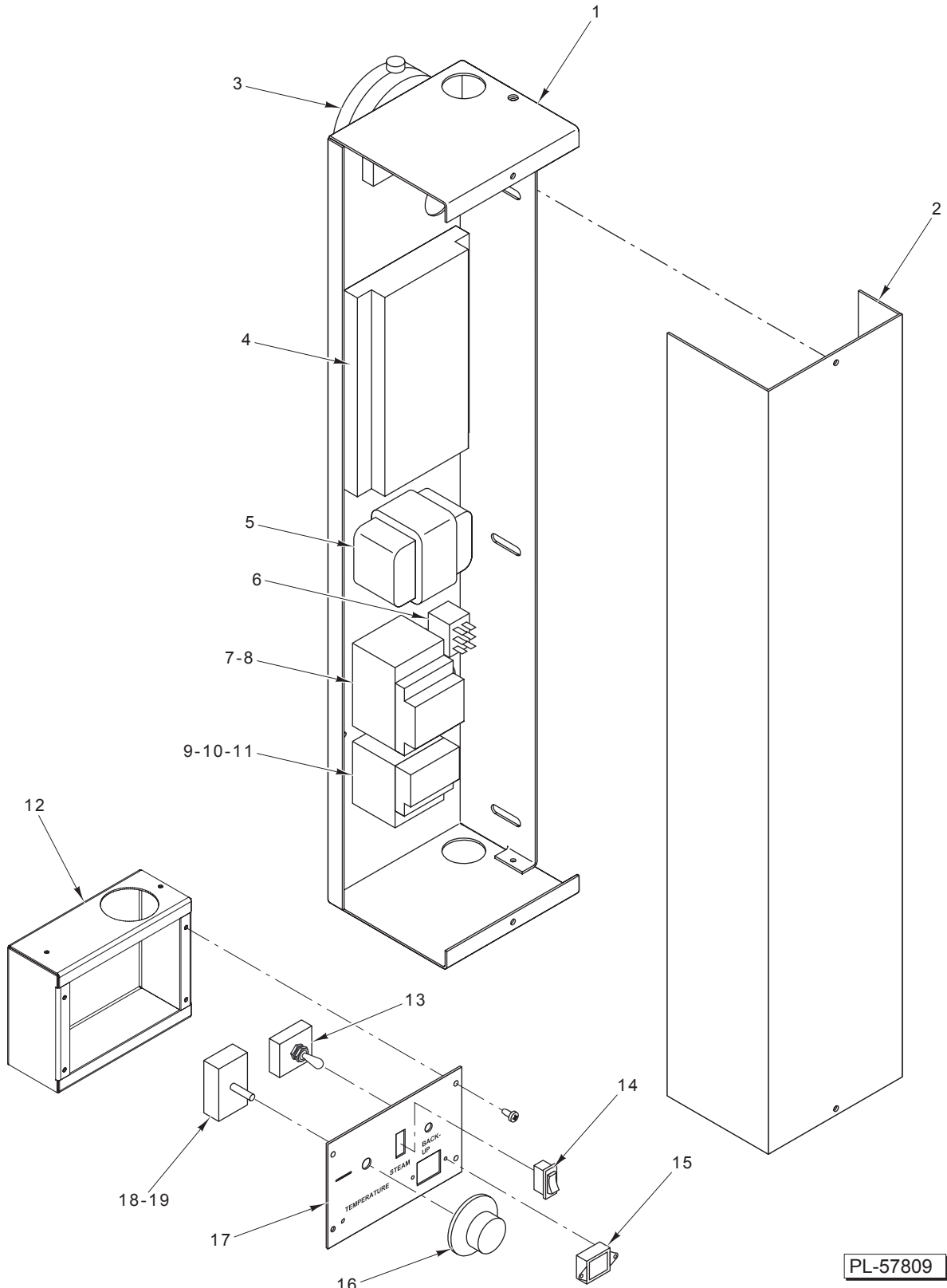
HBA SERIES GAS RACK OVEN

HBA1G
HBA2G

ML-132358
ML-132280

Table of Contents

5	COMPONENT BOX (ML-132358)
7	COMPONENT BOX (ML-132280) (PREVIOUS CONSTRUCTION BEFORE 8/1/05)
9	COMPONENT BOX (ML-132280) (CURRENT CONSTRUCTION ON OR AFTER 8/1/05)
11	CABINET (ML-132358) (PREVIOUS CONSTRUCTION BEFORE 8/1/05)
13	CABINET (ML-132358) (CURRENT CONSTRUCTION ON OR AFTER 8/1/05)
15	CABINET (ML-132280) (PREVIOUS CONSTRUCTION BEFORE 8/1/05)
17	CABINET (ML-132280) (CURRENT CONSTRUCTION ON OR AFTER 8/1/05)
18	HOOD (ML-132358)
19	HOOD (ML-132280)
21	LOADING DOOR (ML-132358)
23	LOADING DOOR (ML-132280)
25	DOOR ASSEMBLY (PUSH LOCK TYPE)
27	CONTROL CABINET, DOOR, AND CONTROLLER (ML-132358)
29	CONTROL CABINET, DOOR, AND CONTROLLER (ML-132280)
31	BLOWER, PANELS, AND VENTS (ML-132358)
33	BLOWER, PANELS, AND VENTS (ML-132280)
34	DRAFT INDUCER (ML-132358) (PREVIOUS CONSTRUCTION BEFORE 7/26/05)
35	DRAFT INDUCER (ML-132280) (PREVIOUS CONSTRUCTION BEFORE 8/1/05)
37	DRAFT INDUCER (CURRENT CONSTRUCTION) (ML-132358 ON OR AFTER 7/26/05 & ML-132280 ON OR AFTER 8/1/05)
38	LIFTER AND ROTATOR
40	STEAMER ASSEMBLY (ML-132358)
41	STEAMER ASSEMBLY (ML-132280)
43	GAS BURNER AND HEAT CIRCULATION (ML-132358)
45	GAS BURNER AND HEAT CIRCULATION (ML-132280)
47	EXTERIOR WATER SUPPLY
49	GAS SUPPLY PLUMBING
51	VENTING



COMPONENT BOX (ML-132358)

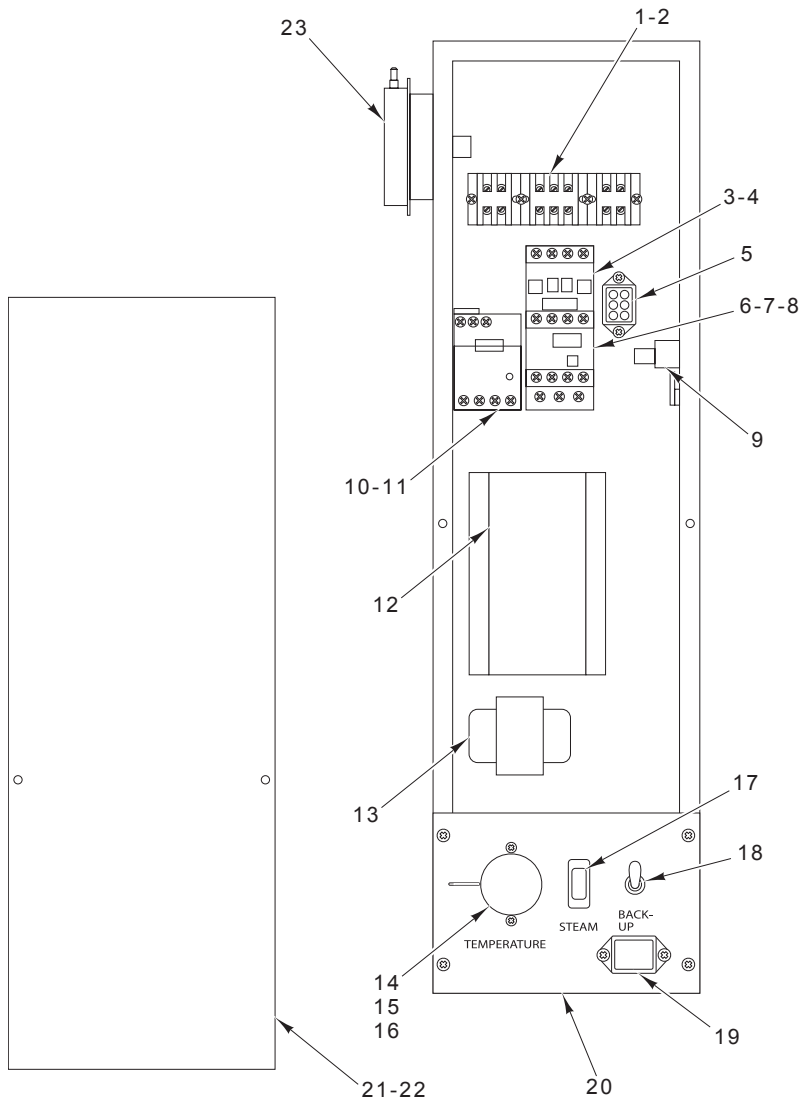
PL-57809

COMPONENT BOX (ML-132358)

ILLUS. PL-57809	PART NO.	NAME OF PART	AMT.
1	01-1M5439-00001	Box – Component Panel.....	1
2	01-1M5440-00001	Cover – Component Panel.....	1
3	01-1M2824-00001	Switch – Pressure.....	1
4	01-1000V9-00170	Control – Ignition (3 TFI, No Reset).....	1
*5	01-100V10-00251	Transformer (120-24 V.) (With Reset) (Current Construction).....	1
6	01-1000V6-00070	Relay – DPDT (1/4 Hp., 120 VAC) (Fan).....	1
7	01-1000V6-00231	Contactor – Blower Circulation (208-240 V., 3 Ph.).....	1
8	01-1000V6-00233	Contactor – Blower Circulation (208-240 V., 1 Ph.).....	1
9	01-1000V6-00232	Overload – Blower Circulation (208-240 V., 4-6 Amp., 3 Ph.).....	1
10	01-1000V6-00234	Overload – Blower Circulation (208-240 V., 7-10 Amp., 1 Ph.).....	1
11	01-1000V6-00235	Overload – Blower Circulation (480 V., 1.2-2.5 Amp., 3 Ph.).....	1
12	01-1M5493-00001	Box – Back-up Controls.....	1
13	01-1000V6-00220	Switch – Toggle 4 PDT (Back-Up Controls).....	1
14	01-1000V6-00221	Switch – MOM Transfer (Back-Up Controls).....	1
15	01-1000V6-00070	Relay – DPDT (1/4 Hp., 120 VAC) (Back-Up Controls).....	1
16	01-100V18-00149	Knob – Thermostat (Back-Up Controls).....	1
17	01-1M5084-00001	Plate – Backup Control ID (Back-Up Controls).....	1
18	01-1M5083-00001	Backup Control Unit (Incls. Items 13 thru 17).....	1
**19	01-1000V6-00265	Thermostat – 500 Deg.	1

*On previous construction machines, use Fuse 250 V., 3.0 Amp. purchased locally.

**Machines built before 8/25/06 must order item 18 for replacement.



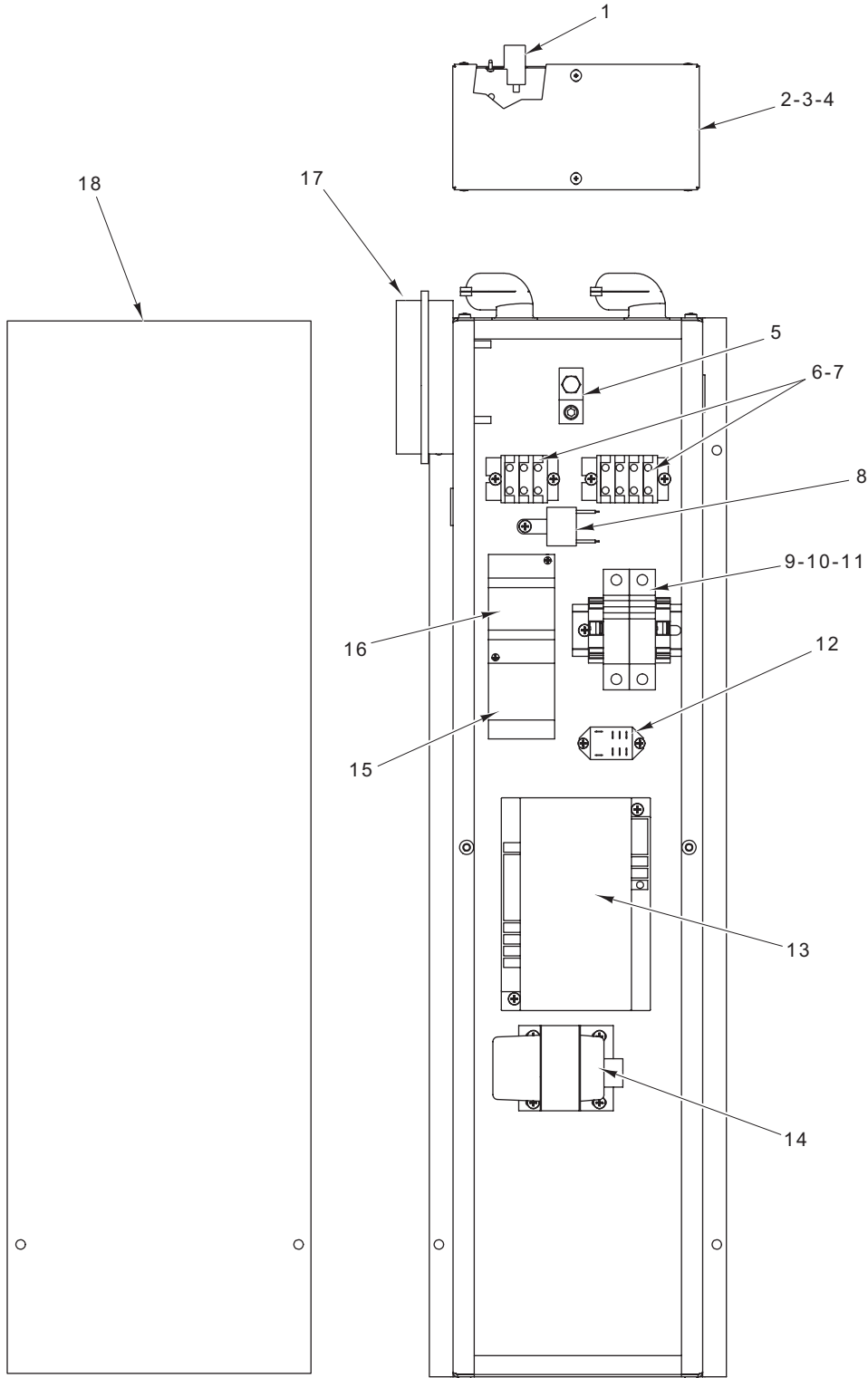
PL-57961

**COMPONENT BOX (ML-132280)
(PREVIOUS CONSTRUCTION BEFORE 8/1/05)**

**COMPONENT BOX (ML-132280)
(PREVIOUS CONSTRUCTION BEFORE 8/1/05)**

ILLUS. PL-57961	PART NO.	NAME OF PART	AMT.
1	01-1000V5-00105	Terminal – Section (600 V.) (Flat Base).....	7
2	01-1000V5-00106	End – Section (600 V.) (Flat Base).....	3
3	01-1000V6-00231	Contactor – Blower Circulation (3 Ph.).....	1
4	01-1000V6-00233	Contactor – Blower Circulation (1 Ph.).....	1
5	01-1000V6-00271	Relay – DPDT (1/2 Hp., 120 VAC) (Fan).....	1
6	01-1000V6-00232	Overload – Blower Circulation (208-240 V., 4-6 Amp., 3 Ph.).....	1
7	01-1000V6-00234	Overload – Blower Circulation (208-240 V., 7-10 Amp., 1 Ph.).....	1
8	01-1000V6-00235	Overload – Blower Circulation (480 V., 1.2-2.5 Amp., 3 Ph.).....	1
9	01-1000V6-00118	Thermostat – Hi Limit (550 Deg.).....	1
10	01-1000V6-00189	Overload (0.8-1.2 Amp.) (Lift & Rotate).....	1
11	01-1000V6-00188	Base – Relay Overload.....	1
12	01-1000V9-00170	Control – Ignition (3 TFI, No Reset).....	1
*13	01-100V10-00251	Transformer (120-24 V.) (With Reset).....	1
14	01-100V18-00149	Knob – Thermostat (Back-Up Controls).....	1
**15	01-1000V6-00265	Thermostat – 500 Deg.	1
16	01-1M5083-00001	Backup Control Unit (Incls. Items 13, 14, 15, 17, 18, & 19).....	1
17	01-1000V6-00221	Switch – MOM Transfer (Back-Up Controls).....	1
18	01-1000V6-00220	Switch – Toggle 4 DPT (Back-Up Controls).....	1
19	01-1000V6-00271	Relay – DPDT (1/2 Hp., 120 VAC) (Back-Up Controls).....	1
20	01-1M5084-00001	Plate – Backup Control ID (Back-Up Controls).....	1
21	01-1M5090-00001	Cover – Component Box W/O Back-Up Unit (24 In.).....	1
22	01-1M5090-00002	Cover – Component Box W/Back-Up Unit (19.5 In.) (Shown).....	1
23	01-1M2824-00001	Switch – Pressure.....	1
	01-1000V5-00014	Tie – Cable.....	4
	01-100V17-00259	Plug – Pipe 3/8 In. NPT, PLTD (W/O Back-Up Unit).....	1

*On previous construction machines, use Fuse 250 V., 3.0 Amp. purchased locally.
**Machines built before 8/25/06 must order item 16 for replacement.



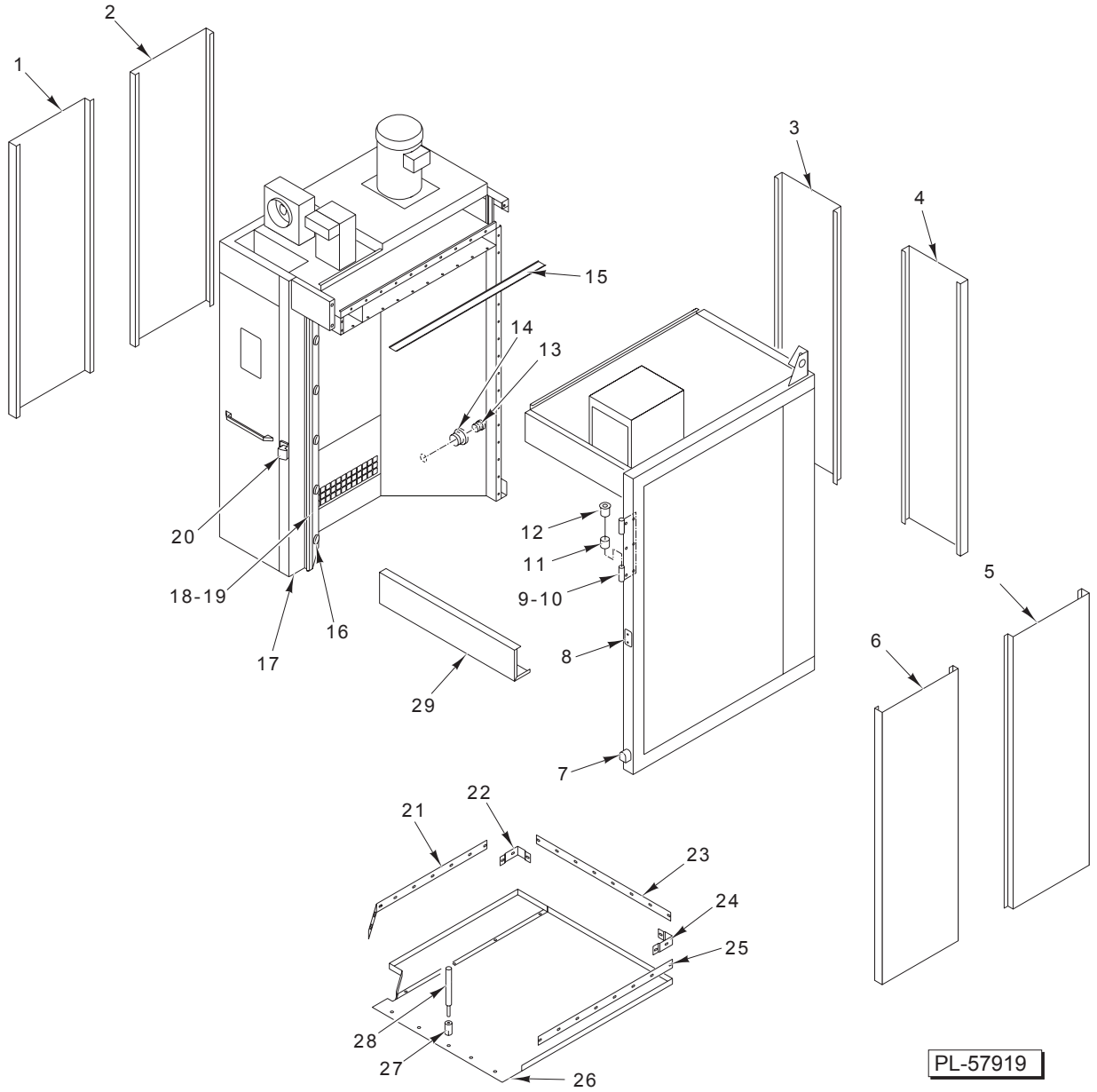
PL-57855

**COMPONENT BOX (ML-132280)
(CURRENT CONSTRUCTION ON OR AFTER 8/1/05)**

**COMPONENT BOX (ML-132280)
(CURRENT CONSTRUCTION ON OR AFTER 8/1/05)**

ILLUS.	PART NO.	NAME OF PART	AMT.
PL-57855			
1	01-1000V6-00118	Thermostat – Hi Limit (550 Deg.).....	1
2	01-1M5525-00002	Box – Junction (Incls. Items 1 & 4) (Machines Built Before 1/01/06).....	1
3	01-1M5525-00001	Box – Junction (Incls. Items 1 & 4) (Machines Built On or After 1/01/06).....	1
4	01-1M5525-00106	Cover – Junction Box.....	1
5	01-1000V5-00101	Lug – Grounding.....	1
6	01-1000V5-00105	Terminal – Section (600 V.) (Flat Base).....	7
7	01-1000V5-00106	End – Section (600 V.) (Flat Base).....	2
8	01-100V10-00242	Filter – EMI.....	1
*9	01-100V18-00115	Rail – Din.....	3 In.
10	01-1M5946-00001	Kit – Circuit Breaker Replacement.....	2
11	01-1000V5-00252	Stop – Din Rail End.....	2
12	01-1000V6-00271	Relay – D.P.D.T. (1/2 Hp., 120 VAC) (CIT).....	1
13	01-1000V9-00170	Control – Ignition (3 TFI, No Reset).....	1
14	01-100V10-00251	Transformer (120-24 V.) (With Reset).....	1
15	01-1000V6-00232	Overload – Blower Circulation (208-240 V., 4-6 Amp., 3 Ph.).....	1
16	01-1000V6-00231	Contact – Blower Circulation (3 Ph.).....	1
17	01-1M2824-00001	Switch – Pressure.....	1
18	01-1M5677-00001	Cover – Electric Module (Without Back-Up Controls).....	1
	01-1M5677-00002	Cover – Component Box (Back-Up Controls).....	1
	01-1M5083-00001	Backup Control Unit.....	1

*Sold Per Inch



CABINET (ML-132358)
(PREVIOUS CONSTRUCTION BEFORE 8/1/05)

**CABINET (ML-132358)
(PREVIOUS CONSTRUCTION BEFORE 8/1/05)**

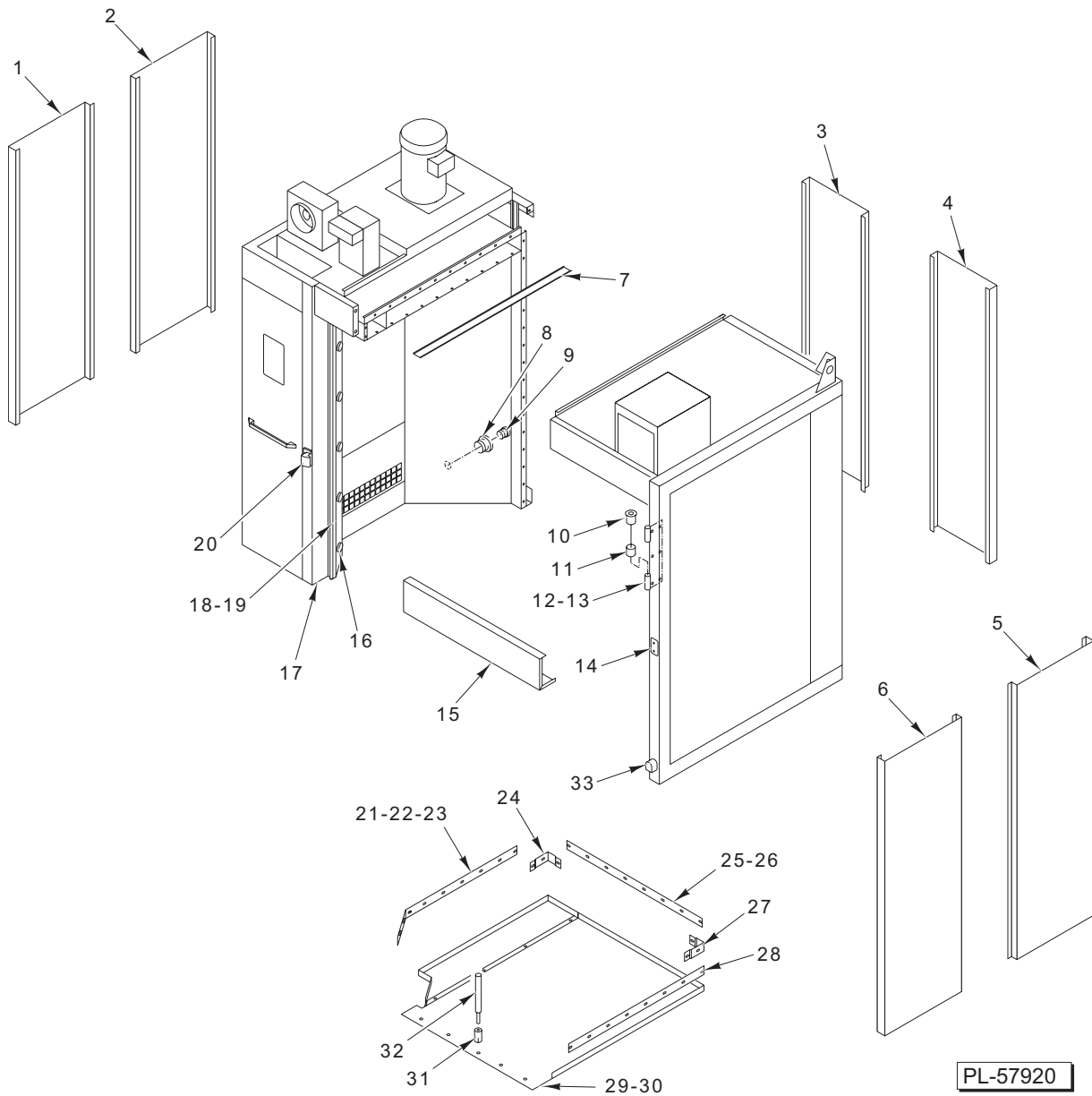
ILLUS. PL-57919	PART NO.	NAME OF PART	AMT.
1	01-1M2120-00010	Skin – Outer.....	1
2	01-1M2120-00009	Skin – Outer.....	1
3	01-1M2120-00010	Skin – Outer.....	1
4	01-1M2120-00009	Skin – Outer.....	1
5	01-1M2120-00010	Skin – Outer.....	1
6	01-1M2120-00009	Skin – Outer.....	1
7	01-100V17-00301	Ell – 2.5 x 45 Deg. Blk.	1
8	01-1M1711-0003C	Plate – Cover Latch	1
****9	01-1M5918-00001	Hinge – Door (Female) (Machines Built On or After 2/01/07)	2
****10	01-1M5918-00002	Hinge Assy. – Door (Machines Built On or After 2/01/07)	2
11	01-1000V0-00031	Bearing – (Nylon) (W/Shoulder).....	4
12	01-1000V0-00038	Bearing – Journal (Nylon)	4
13	01-100V17-00259	Plug – Pipe 3/8 NPT (Brass)	1
14	01-100V17-00266	Bushing 3/8 NPT x 3/4 NPT (Brass).....	1
**15	01-100V21-00056	Tape – Fiberglass	AR
***16	01-1000V7-00027	Lamp – Oven (Complete) (Lens and Base)	5
17	01-1M2335-00001	Wheel (For Installation).....	1
18	01-1M5289-00003	Gasket – Loading Door (Top).....	1
19	01-1M5289-00001	Gasket – Loading Door (Side)	2
20	01-100V18-0120A	Strike – Chrome Plated.....	1
21	01-1M2072-00004	Trim – Floor (38 In.)	1
22	01-1M2071-00002	Joint – Corner Floor Trim	AR
23	01-1M2072-00001	Trim – Floor (31 In.)	1
24	01-1M2071-00001	Joint – Corner Floor Trim	AR
25	01-1M2072-00002	Trim – Floor (36 In.)	1
26	01-1M2086-00001	Floor.....	1
27	01-1000V4-00073	Anchor – Drop In.....	9
28	01-1000V4-0073A	Tool – Setting	1
29	01-1M5430-00001	Skin – Outer Header	1
*	01-100V21-00073	Tape – Silicone Sponge (Use With Items 21 thru 25)	AR
	01-1000V4-00074	Mach. Screw 1/4-20 x 3/4 Phil. Flat Hd.....	4
	01-1M2346-00001	Collar – Door Switch	1

*Sold Per Inch

**Sold Per Foot

***Replacement bulb is standard 40 W. appliance bulb purchased locally.

****Machines built before 2/01/07 must order items 9 & 10.



CABINET (ML-132358)
(CURRENT CONSTRUCTION ON OR AFTER 8/1/05)

**CABINET (ML-132358)
(CURRENT CONSTRUCTION ON OR AFTER 8/1/05)**

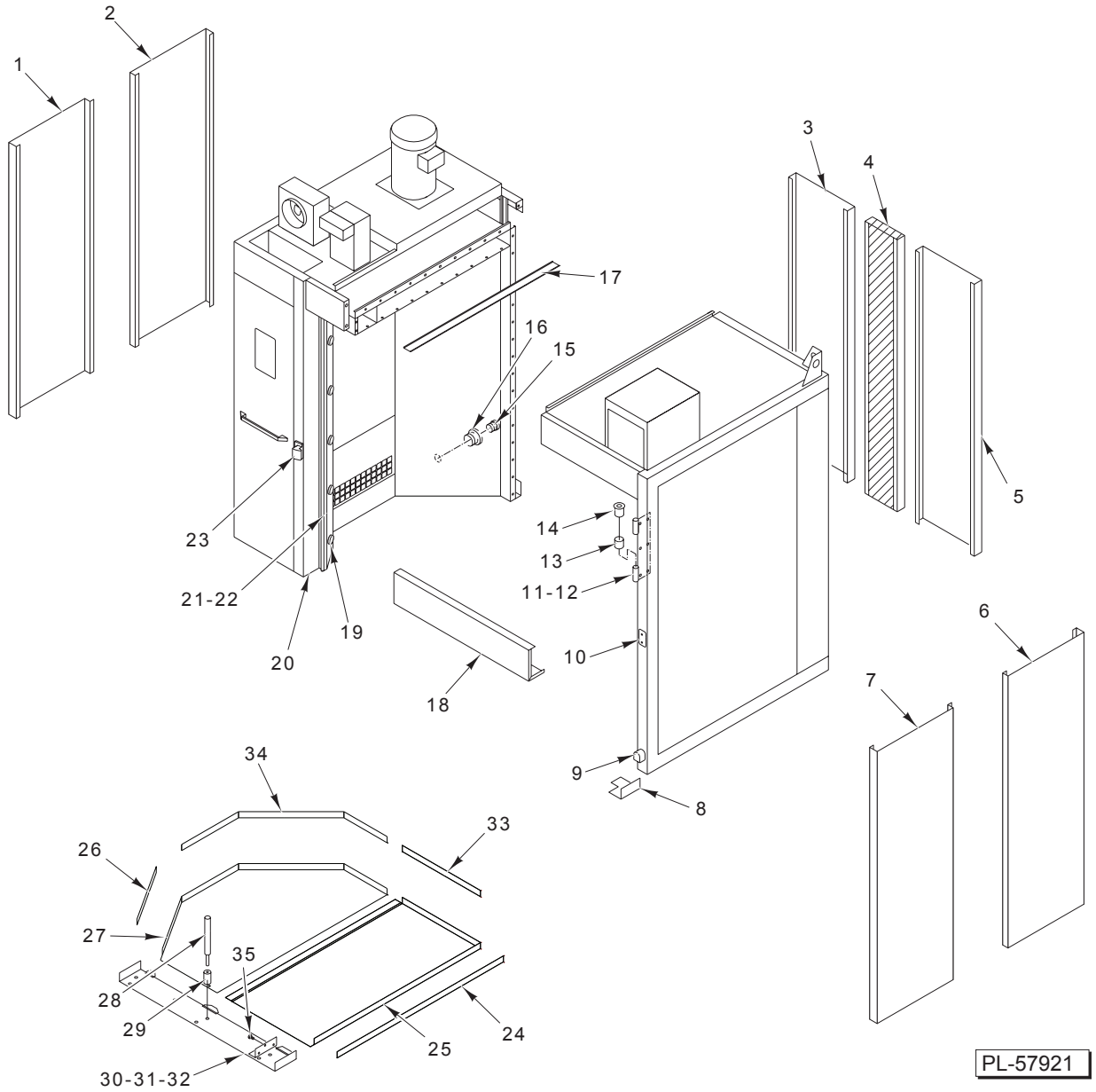
ILLUS. PL-57920	PART NO.	NAME OF PART	AMT.
1	01-1M5672-00002	Skin – Outer.....	1
2	01-1M5672-00001	Skin – Outer.....	1
3	01-1M5672-00002	Skin – Outer.....	1
4	01-1M5672-00001	Skin – Outer.....	1
5	01-1M5672-00002	Skin – Outer.....	1
6	01-1M5672-00001	Skin – Outer.....	1
**7	01-100V21-00056	Tape – Fiberglass.....	AR
8	01-100V17-00266	Bushing 3/8 NPT x 3/4 NPT (Brass).....	1
9	01-100V17-00259	Plug – Pipe 3/8 NPT (Brass).....	1
10	01-1000V0-00038	Bearing – Journal (Nylon).....	4
11	01-1000V0-00031	Bearing – (Nylon) (W/Shoulder).....	4
****12	01-1M5918-00001	Hinge – Door (Female) (Machines Built On or After 2/01/07).....	2
****13	01-1M5918-00002	Hinge Assy. – Door (Machines Built On or After 2/01/07).....	2
14	01-1M1711-0003C	Plate – Cover Latch.....	1
15	01-1M5430-00001	Skin – Outer Header.....	1
***16	01-1000V7-00027	Lamp – Oven (Complete) (Lens and Base).....	5
17	01-1M2335-00001	Wheel (For Installation).....	1
18	01-1M5289-00003	Gasket – Loading Door (Top).....	1
19	01-1M5289-00001	Gasket – Loading Door (Side).....	2
20	01-100V18-0120A	Strike – Chrome Plated.....	1
21	01-1M5872-00001	Floor Trim Kit (Machines Built On or After 11/01/07).....	1
22	01-1M2073-00004	Body – Floor Trim (Machines Built Before 11/01/07).....	1
23	01-1M2071-00102	Body – Joiner Corner (Machines Built Before 11/01/07).....	1
24	01-1M5872-00001	Floor Trim Kit (Machines Built On or After 11/01/07).....	1
25	01-1M5872-00102	Trim – Floor Rear (Machines Built On or After 11/01/07).....	1
26	01-1M5872-00001	Floor Trim Kit (Machines Built On or After 11/01/07).....	1
27	01-1M5872-00001	Floor Trim Kit (Machines Built On or After 11/01/07).....	1
28	01-1M5872-00001	Floor Trim Kit (Machines Built On or After 11/01/07).....	1
29	01-1M2086-00001	Floor (Machines Built Before 11/01/07).....	1
30	01-1M5869-00001	Floor – Single (Machines Built On or After 11/01/07).....	1
31	01-1000V4-00073	Anchor – Drop In.....	9
32	01-1000V4-0073A	Tool – Setting.....	1
33	01-100V17-00301	EII – 2.5 x 45 Deg. Blk.....	1
*	01-100V21-00073	Tape – Silicone Sponge (Use With Items 21 thru 28).....	AR
	01-1000V4-00074	Mach. Screw 1/4-20 x 3/4 Phil. Flat Hd.....	4
	01-1M2346-00001	Collar – Door Switch.....	1

*Sold Per Inch

**Sold Per Foot

***Replacement bulb is standard 40 W. appliance bulb purchased locally.

****Machines built before 2/01/07 must order items 12 & 13.



PL-57921

**CABINET (ML-132280)
(PREVIOUS CONSTRUCTION BEFORE 8/1/05)**

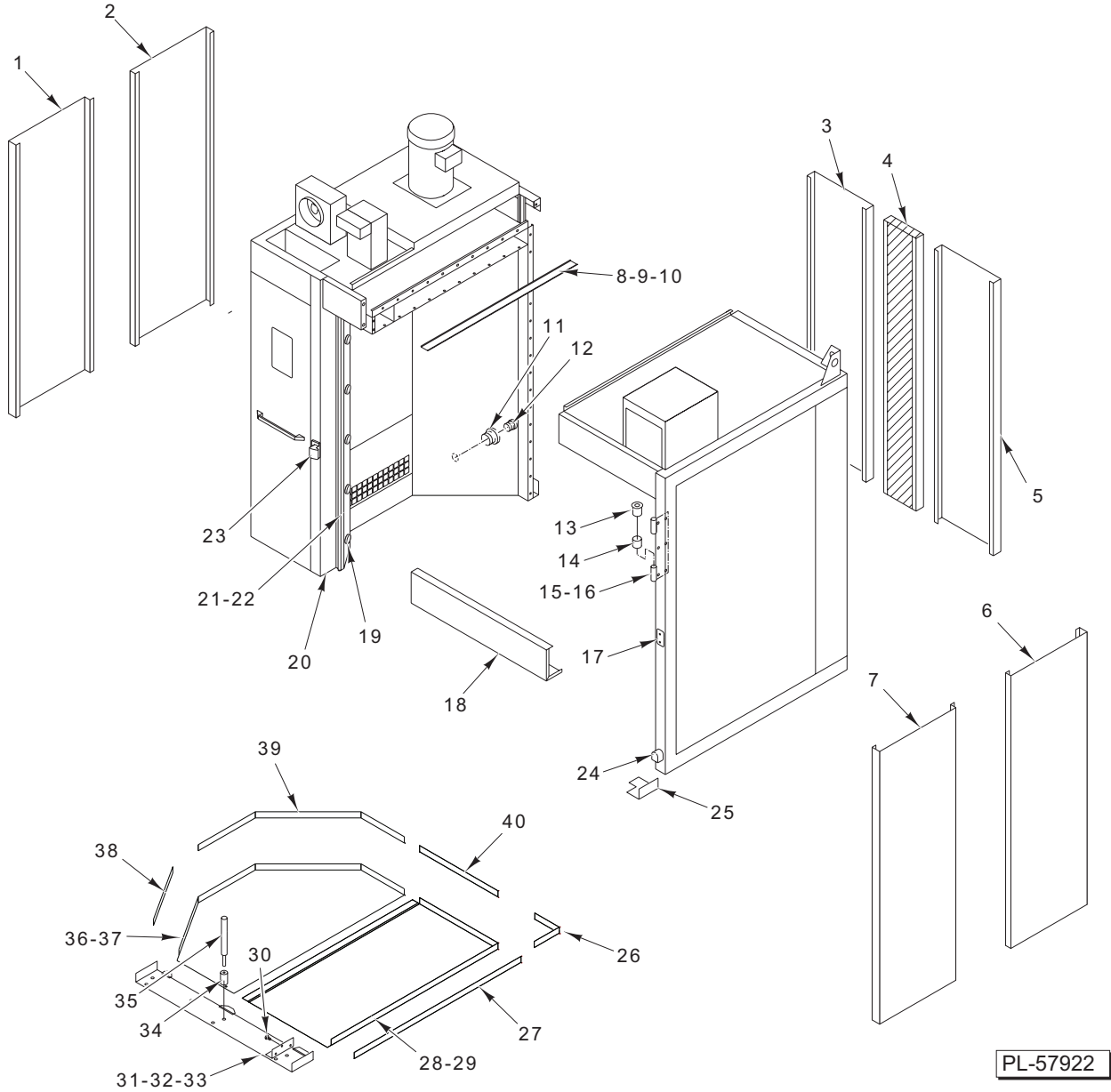
**CABINET (ML-132280)
(PREVIOUS CONSTRUCTION BEFORE 8/1/05)**

ILLUS. PL-57921	PART NO.	NAME OF PART	AMT.
1	01-1M2120-00011	Skin – Outer (Non-Symmetrical Flanges).....	1
2	01-1M2120-00012	Skin – Outer (Symmetrical Flanges).....	1
3	01-1M5267-00001	Skin – Outer Drain	1
4	01-1M5672-00002	Skin – Outer Split Assy.....	1
5	01-1M2120-00004	Skin – Outer.....	1
6	01-1M2120-00012	Skin – Outer (Symmetrical Flanges).....	1
7	01-1M2120-00011	Skin – Outer (Non-Symmetrical Flanges).....	1
8	01-1M5285-00001	Jamb – Stop.....	1
9	01-100V17-00301	Eil – 2.5 x 45 Deg. Blk.	1
10	01-1M1711-0003C	Plate – Cover Latch	1
***11	01-1M5918-00001	Hinge – Door (Female) (Machines Built On or After 2/01/07).....	2
***12	01-1M5918-00002	Hinge Assy. – Door (Machines Built On or After 2/01/07).....	2
13	01-1000V0-00031	Bearing – (Nylon) (W/Shoulder).....	4
14	01-1000V0-00038	Bearing – Journal (Nylon).....	4
15	01-100V17-00259	Plug – Pipe 3/8 NPT (Brass)	1
16	01-100V17-00266	Bushing 3/8 NPT x 3/4 NPT (Brass).....	1
*17	01-100V21-00056	Tape – Fiberglass	AR
18	01-1M5030-00001	Skin – Outer Header	1
**19	01-1000V7-00027	Lamp – Oven (Complete) (Lens and Base).....	5
20	01-1M2335-00001	Wheel (For Installation).....	1
21	01-1M5289-00002	Gasket – Loading Door 50 In. (Top).....	1
22	01-1M5289-00001	Gasket – Loading Door 83 In. (Side)	2
23	01-100V18-0120A	Strike – Chrome Plated.....	1
24	01-1M2072-00003	Trim – Floor (46 In.).....	1
25	01-1M5564-00002	Skin – Floor (RH).....	1
26	01-1M5004-00003	Trim – Floor.....	1
27	01-1M5564-00001	Skin – Floor (LH).....	1
28	01-1000V4-0073A	Tool – Setting	1
29	01-1000V4-00073	Anchor – Drop-in.....	9
30	-	Screw 1/4-20 x 1/2 or 1 (As Needed).....	AR
31	01-1M5610-00201	Shim – Jamb Plate (Not Shown).....	AR
32	01-1M5570-00001	Threshold Weldment.....	1
33	01-1M5004-00001	Trim – Floor.....	1
34	01-1M5004-00002	Trim – Floor.....	1
35	-	Screw 10-32 Phil. Hd. (SST).....	6
	01-1000V4-00074	Mach. Screw 1/4-20 x 3/4 Phil. Hd.....	4
	01-1M2346-00001	Collar – Door Switch	1
	01-1M5610-00002	Kit – Threshold Installation (Incls. Items 28 thru 32, & 35)	1
	01-1M2211-00002	Skin – Ceiling.....	1
	01-1M2131-00007	Top – False (Ceiling).....	1
	01-1M2341-00002	Angle – Hood Trim	1

*Sold Per Foot

**Replacement bulb is standard 40 W. appliance bulb purchased locally.

***Machines built before 2/01/07 must order items 11 & 12.



CABINET (ML-132280)
(CURRENT CONSTRUCTION ON OR AFTER 8/1/05)

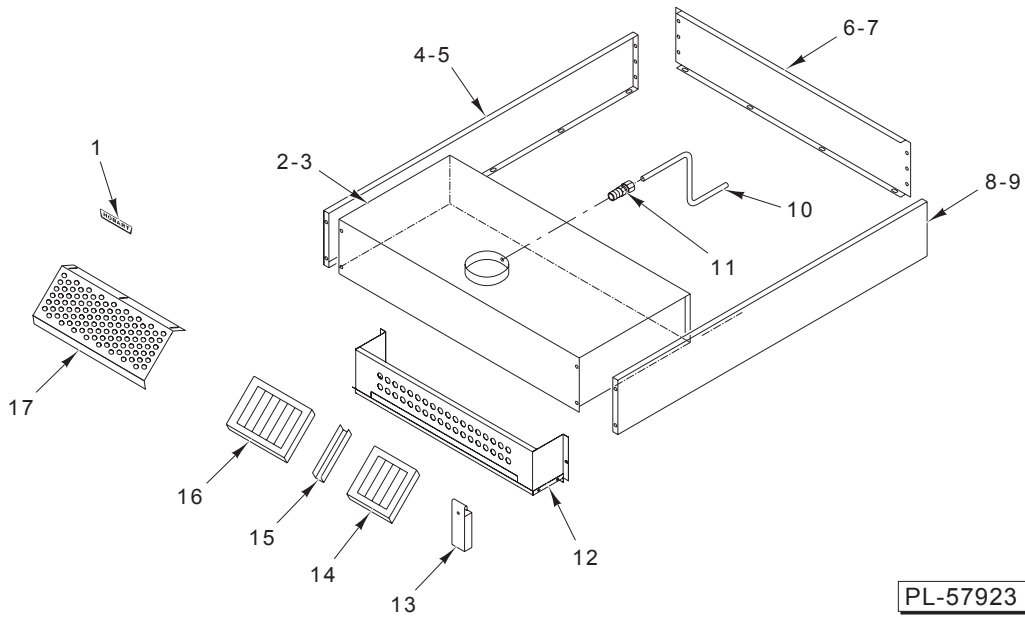
**CABINET (ML-132280)
(CURRENT CONSTRUCTION ON OR AFTER 8/1/05)**

ILLUS. PL-57922	PART NO.	NAME OF PART	AMT.
1	01-1M5672-00003	Skin – Outer (Non-Symmetrical Flanges) (31 In.).....	1
2	01-1M5672-00001	Skin – Outer (Symmetrical Flanges) (20 In.)	1
3	01-1M5672-00004	Skin – Outer Drain	1
4	01-1M5672-00005	Panel – Outer Wall Split.....	1
5	01-1M5672-00105	Skin – Outer Split.....	1
6	01-1M5672-00001	Skin – Outer (Symmetrical Flanges) (20 In.)	1
7	01-1M5672-00003	Skin – Outer (Non-Symmetrical Flanges) (31 In.).....	1
*8	01-100V21-00056	Tape – Fiberglass	AR
9	01-1000V4-00283	Screw 1/4-20 x 3/4 Hex Washer Hd., Serrated Flange (SST).....	AR
10	01-1000V4-00284	Screw 10-32 x 3/4 Hex Washer Hd., Serrated Flange (SST).....	AR
11	01-100V17-00266	Bushing 3/8 NPT x 3/4 NPT (Brass).....	1
12	01-100V17-00259	Plug – Pipe 3/8 NPT (Brass)	1
13	01-1000V0-00038	Bearing – Journal (Nylon)	4
14	01-1000V0-00031	Bearing – (Nylon) (W/Shoulder).....	4
***15	01-1M5918-00001	Hinge – Door (Female) (Machines Built On or After 12/01/07).....	2
***16	01-1M5918-00002	Hinge Assy. – Door (Machines Built On or After 12/01/07).....	2
17	01-1M1711-0003C	Plate – Cover Latch	1
18	01-1M5030-00001	Skin – Outer Header	1
**19	01-1000V7-00027	Lamp – Oven (Complete) (Lens and Base).....	5
20	01-1M2335-00001	Wheel (For Installation).....	1
21	01-1M5289-00002	Gasket – Loading Door 50 In. (Top).....	1
22	01-1M5289-00001	Gasket – Loading Door 83 In. (Side)	2
23	01-100V18-0120A	Strike – Chrome Plated.....	1
24	01-100V17-00301	Eil – 2.5 x 45 Deg. Blk.	1
25	01-1M5285-00001	Jamb – Stop.....	1
26	01-1M2071-00003	Corner – Floor Trim Joiner.....	1
27	01-1M2072-00003	Trim – Floor (46 In.)	1
28	01-1M5564-00002	Skin – Floor (RH) (Machines Built Before 12/01/07).....	1
29	01-1M5928-00202	Skin – Floor (RH) (Machines Built On or After 12/01/07).....	1
30	-	Screw 10-32 Phil. Hd. (SST).....	6
31	-	Screw 1/4-20 x 1/2 or 1 (As Needed).....	AR
32	01-1M5610-00201	Shim – Jamb Plate (Not Shown).....	AR
33	01-1M5570-00001	Threshold Weldment.....	1
34	01-1000V4-00073	Anchor – Drop-in.....	9
35	01-1000V4-0073A	Tool – Setting	1
36	01-1M5564-00001	Skin – Floor (LH) (Machines Built Before 12/01/07).....	1
37	01-1M5928-00201	Skin – Floor Trim Joiner (LH) (Machines Built On or After 12/01/07).....	1
38	01-1M5004-00003	Trim – Floor.....	1
39	01-1M5004-00002	Trim – Floor.....	1
40	01-1M5004-00001	Trim – Floor.....	1
	01-1000V4-00074	Mach. Screw 1/4-20 x 3/4 Phil. Hd.....	4
	01-1M2346-00001	Collar – Door Switch	1
	01-1M5610-00002	Kit – Threshold Installation (Incls. Items 30 thru 35) (Machines Built Before 12/02/04)	1
	01-1M2211-00002	Skin – Ceiling.....	1
	01-1M2131-00007	Top – False (Ceiling).....	1
	01-1M2341-00002	Angle – Hood Trim	1
	01-1M5152-00001	Hardware Package – Double	1
	01-1M5152-00002	Hardware Package – Security	1
	01-1M5152-00003	Hardware Package – Single Split	1
	01-1M5152-00004	Hardware Package – Single Whole	1
	01-1M2549-00001	Insulation Kit – Double Split.....	1
	01-1M2549-00002	Insulation Kit – Single Split.....	1

*Sold Per Foot

**Replacement bulb is standard 40 W. appliance bulb purchased locally.

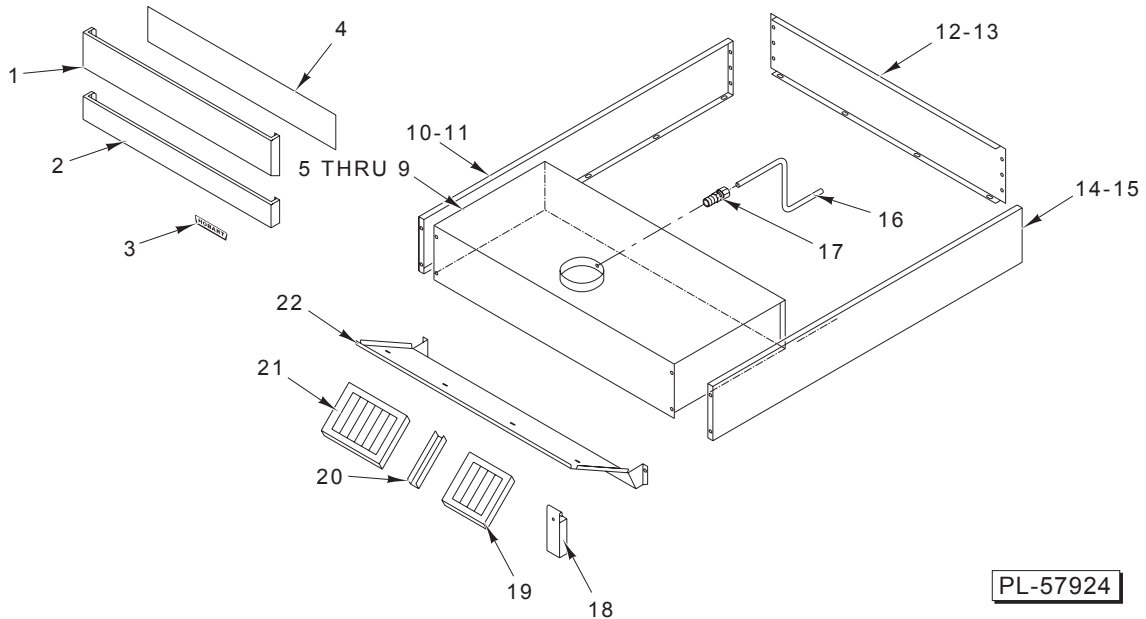
***Machines built before 2/01/07 must order items 15 & 16.



HOOD (ML-132358)

ILLUS.	PART NO.	NAME OF PART	AMT.
PL-57923			
1	01-100V16-00531	Logo.....	1
2	01-1M5485-00001	Hood Assy. Type I (Incls. Items 12, 14, 15, & 16).....	1
3	01-1M5485-00002	Hood Assy. Type II (Incls. Items 12 & 17).....	1
4	01-1M5351-00001	Trim – Side (Machines Built Before 5/01/07).....	1
5	01-1M5945-00101	Trim – Side Hood (Single Rack) (Machines Built On or After 5/01/07).....	1
6	01-1M5352-00001	Trim – Rear (Machines Built Before 5/01/07).....	1
7	01-1M5945-00102	Trim – Rear Hood (Single Rack) (Machines Built On or After 5/01/07).....	1
8	01-1M5351-00001	Trim – Side (Machines Built Before 5/01/07).....	1
9	01-1M5945-00101	Trim – Side Hood (Single Rack) (Machines Built On or After 5/01/07).....	1
*10	01-100V17-00004	Tube 1/4 O.D. x 72 In. Lg. (Alum.).....	1
11	FP-078-49	Fitting – Tube (1/4 In.) (Brass).....	1
12	01-1M5489-00001	Baffle – Hood Assy.....	1
13	01-1M3032-00001	Cup – Hood Grease.....	1
14	01-100V18-00089	Filter – Hood 16 x 20 W/Drop (Type I Hood).....	1
15	01-1M2247-00001	Filler – Filter (Type I Hood).....	1
16	01-100V18-00088	Filter – Hood 16 x 16 W/Drop (Type I Hood).....	2
17	01-1M5492-00001	Panel – Baffle (Type II Hood).....	1

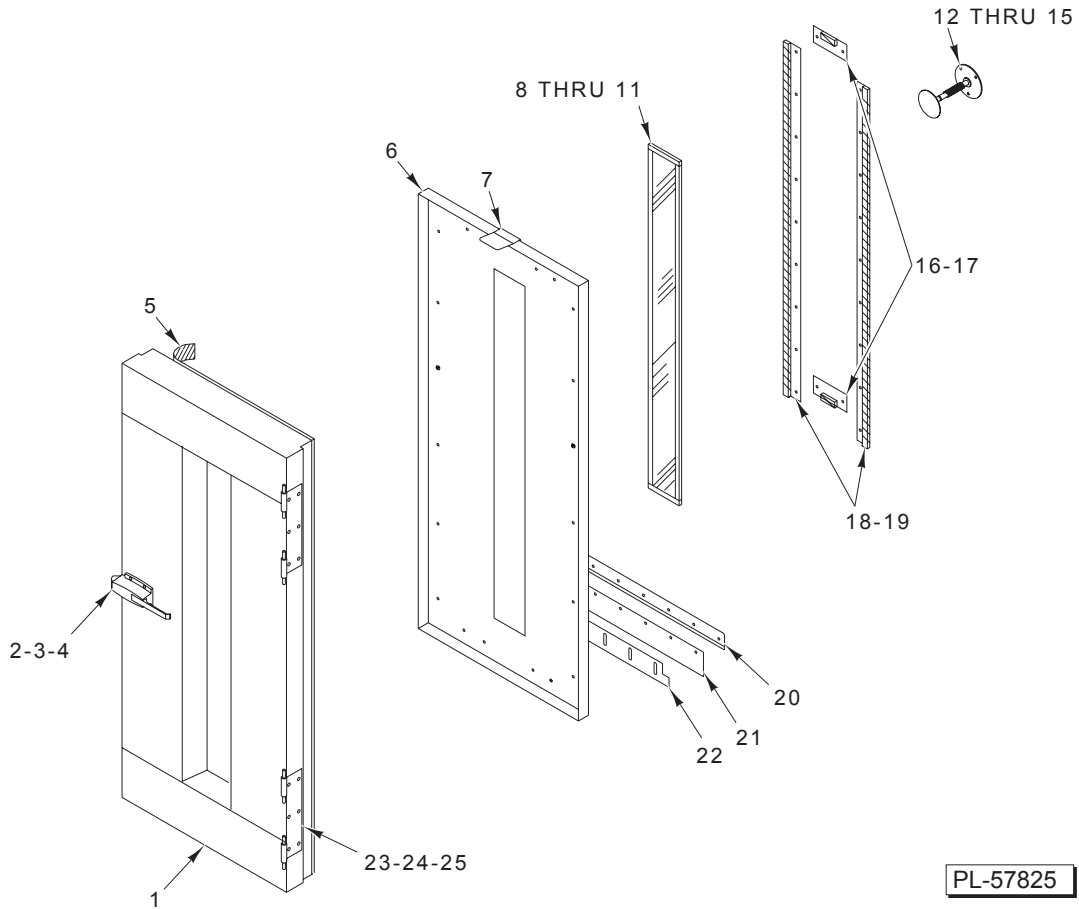
*Sold Per Inch



HOOD (ML-132280)

ILLUS.	PART NO.	NAME OF PART	AMT.
PL-57924			
1	01-1M4547-00004	Trim – Hood (Upper) (Machines Built Before 6/1/03).....	1
2	01-1M4548-00004	Trim – Hood (Lower) (Machines Built Before 6/1/03).....	1
3	01-100V16-00531	Logo.....	1
4	01-1M5148-00002	Cover – Facia Trim (Machines Built Before 6/1/03).....	2
5	01-1M5378-00003	Hood Assy. (Machines Built Before 8/1/05).....	1
6	01-1M5681-00001	Hood Assy. (Machines Built On or After 8/1/05).....	1
7	01-100V13-00134	Box – Filter (19 3/4 x 15 9/16) (Type I Hood).....	1
8	01-100V13-00135	Plenum – Panel Box (15 9/16 x 1) (Type II Hood).....	1
9	01-1M5147-00002	Panel – Plenum (Type II Hood).....	2
10	01-1M5351-00002	Trim – Side (Machines Built After 6/1/03).....	1
11	01-1M5945-00201	Trim – Side (Double Rack).....	1
12	01-1M5352-00002	Trim – Rear.....	1
13	01-1M5945-00202	Trim – Rear (Double Rack).....	1
14	01-1M5351-00002	Trim – Side (Machines Built After 6/1/03).....	1
15	01-1M5945-00201	Trim – Side (Double Rack).....	1
*16	01-100V17-00004	Tube 1/4 O.D. x 72 In. Lg. (Alum.).....	1
17	FP-078-49	Fitting – Tube (1/4 In.) (Brass).....	1
18	01-1M3032-00001	Cup – Hood Grease.....	1
19	01-100V18-00089	Filter – Hood 16 x 20 W/Drop (Type I Hood).....	1
20	01-1M2247-00002	Filter – Filter.....	1
21	01-100V18-00088	Filter – Hood 16 x 16 W/Drop (Type I Hood).....	3
22	01-1M5140-00002	Deflector – Air.....	1
	01-1M5690-00001	Kit – Hood Assy. (Type I Hood) (Machines Built Before 8/1/05) (Incls. Items 3, 5, 7, 10, 12, 14, & 19 thru 22).....	1
	01-1M5690-00002	Kit – Hood Assy. (Type II Hood) (Machines Built Before 8/1/05) (Incls. Items 3, 5, 8, 9, 10, 12, 14, 20, & 22).....	1
	01-1M5690-00003	Kit – Hood Assy. (Type I Hood) (Machines Built On or After 8/1/05) (Incls. Items 3, 6, 7, 10, 12, 14, & 19 thru 22).....	1
	01-1M5690-00004	Kit – Hood Assy. (Type II Hood) (Machines Built On or After 8/1/05) (Incls. Items 3, 6, 8, 9, 10, 12, 14, 20 & 22).....	1
	01-1M5884-00001	Kit – Hood Assy. (Machines Built On or After 05/01/07) (Incls. Items 10, 11, 13, & 15).....	1

*Sold Per Inch



LOADING DOOR (ML-132358)

LOADING DOOR (ML-132358)

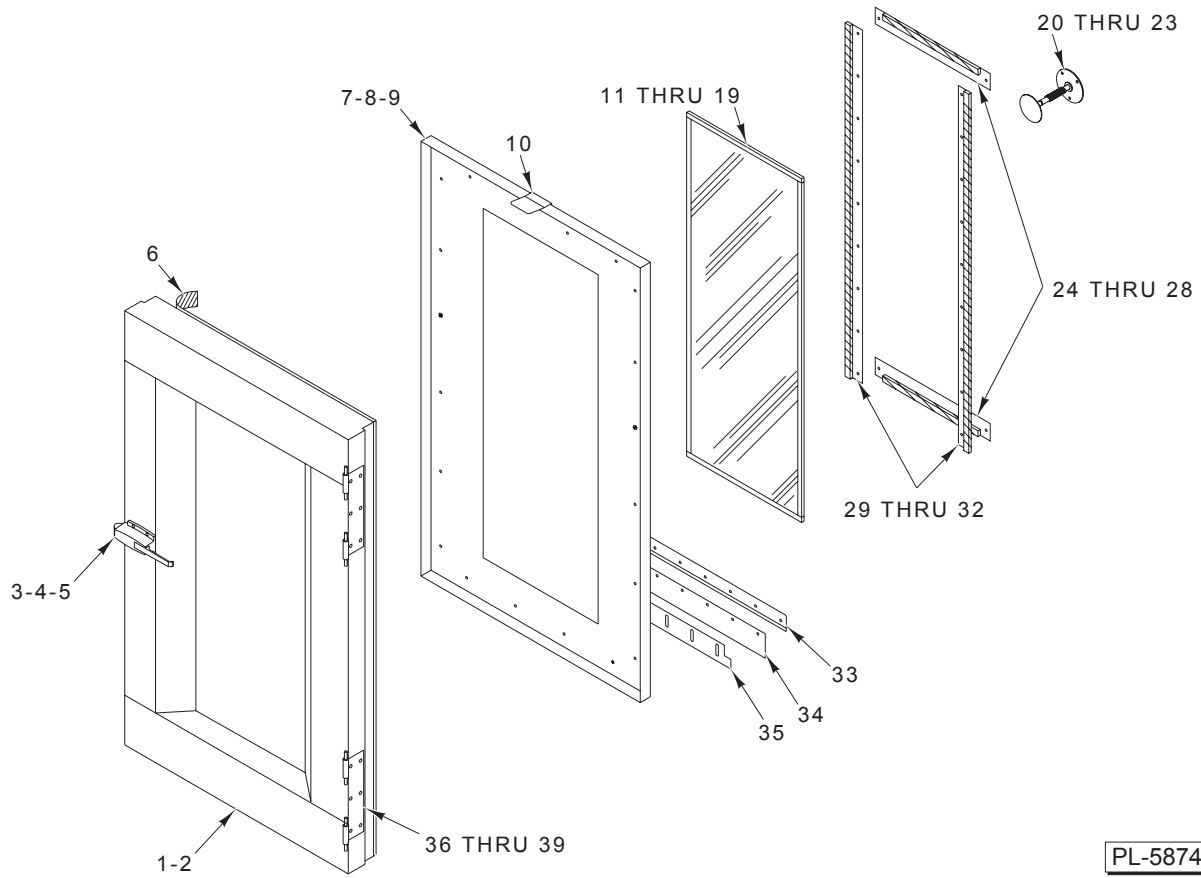
ILLUS.	PART NO.	NAME OF PART	AMT.
	PL-57825		
1	01-1M2133-00001	Weldment – Door.....	1
*2	01-100V18-0120B	Handle – Chrome Plated.....	1
3	01-100V16-00259	Label – Warning.....	1
4	01-1M5910-00001	Spacer – Door Handle.....	1
**5	01-100V21-00065	Tape – Fiberglass (1/8 x 1).....	18 Ft.
6	01-1M2135-00001	Skin – Inner Door.....	1
7	01-1M2254-00001	Guide – Door Switch Actuator.....	1
8	01-1M4171-00002	Window Glass Assy. (Incls. Items 9, 10, & 11).....	1
9	01-100V16-0102C	Glass – Tempered 1/4 In. Thick.....	1
10	00-513886-00003	Sealer.....	AR
**11	01-100V16-00611	Gasket – Window.....	12 Ft.
12	01-1M1435-00002	Handle – Interior Door (Incls. Items 13, 14, & 15).....	1
13	01-100V20-00010	Spring – Compression 7/16 O.D.....	1
14	01-1M1761-0001C	Plate – Interior Door Handle.....	1
15	01-1000V1-00036	Ring – Retaining 7/16 In. (Zinc).....	1
16	01-1M2937-00002	Retainer – Window.....	2
***17	01-100V21-0039A	Tape – Silicone (1/8 x 3/4).....	10 In.
18	01-1M2937-00001	Retainer – Window.....	2
***19	01-100V21-0039A	Tape – Silicone (1/8 x 3/4).....	62 In.
20	01-1M2255-00001	Clamp – Floor Sweep.....	1
21	01-1M2778-00001	Strip – Silicone Floor Seal.....	1
22	01-1M2769-00001	Support – Floor Seal.....	1
****23	01-1M5918-00002	Hinge Assy. – Door (Machines Built Before 2/01/07) (Incls. Item 25).....	2
****24	01-1M5918-00001	Hinge – Door (Female) (Machines Built On or After 2/01/07).....	2
25	01-1M5918-00201	Pin – Hinge Loading Door.....	2
	01-1M5551-00001	Door Assy. – Loading (Incls. Items 1 thru 25).....	1
	01-1M5551-00004	Door Assy. – Loading W/Grid (Packaged).....	1
	01-1000V4-00067	Speed Nut.....	26
	01-1000V4-00074	Mach. Screw Flat Hd.....	16
	01-1A2876-00101	Guard – Window 210.....	5
	01-1M5289-00003	Gasket – Loading Door.....	1

* Order With 01-100V16-00259.

**Sold Per Foot

***Sold Per Inch

****Machines built before 2/01/07 must order items 23 & 24.



LOADING DOOR (ML-132280)

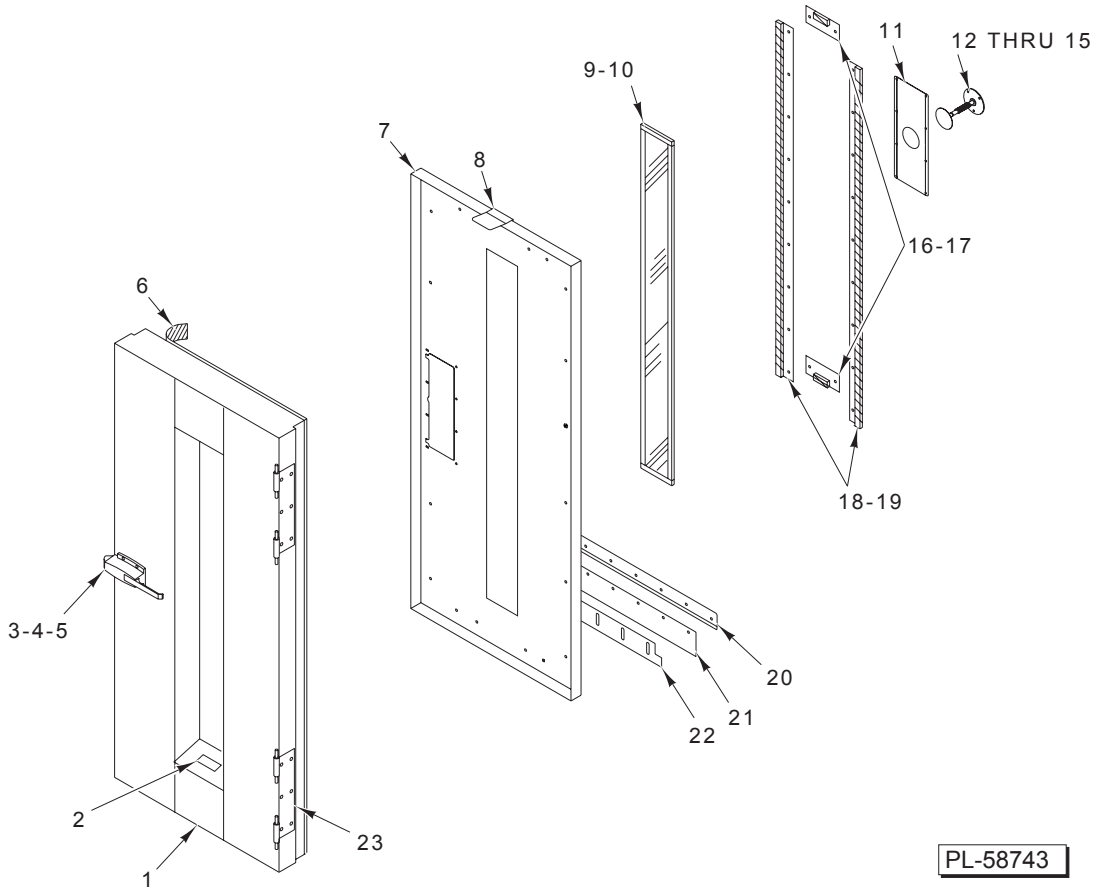
LOADING DOOR (ML-132280)

ILLUS.	PART NO.	NAME OF PART	AMT.
	PL-58742		
1	01-1M5590-00002	Weldment – Door (21 In. Window).....	1
2	01-1M2133-00002	Weldment – Door (10 In. Window).....	1
3	01-100V18-0120B	Handle – Chrome Plated	1
4	01-100V16-00259	Label – Warning.....	2
5	01-1M5910-00001	Spacer – Door Handle	1
*6	01-100V21-00065	Tape – Fiberglass (1/8 x 1).....	20 Ft.
7	01-1M5376-00002	Skin – Inner Door (21 In. Window).....	1
8	01-1M2135-00002	Skin – Inner Door (10 In. Window).....	1
9	01-1M5591-00001	Skin – Inner Door (Wide Window)	1
10	01-1M2254-00001	Guide – Door Switch Actuator.....	1
11	01-1M4171-00003	Window Glass Assy. (21 In. Window) (Incls. Items 14, 16, & 17) (Previous Construction).....	1
12	01-1M4171-00002	Window Glass Assy. (10 In. Window) (Incls. Items 15, 16, & 18)	1
13	01-100V16-00643	Glass – Triple Pane (21 In. Window) (Current Construction).....	1
14	01-100V16-0102J	Glass – Tempered 1/4 In. Thick (21 In. Window).....	1
15	01-100V16-0102C	Glass – Tempered 1/4 In. Thick (10 In. Window).....	1
16	00-513886-00003	Sealer	AR
*17	01-100V21-00060	Gasket – U (Silicone) (21 In. Window) (Use With Item 14).....	1
18	01-100V16-00611	Gasket – Window (10 In. Window)	1
19	01-100V16-0644A	Gasket – Window (21 In. Window) (Use With Item 13)	1
20	01-1M1435-00002	Handle – Interior Door (Incls. Items 21 thru 23).....	1
21	01-100V20-00010	Spring – Compression 7/16 O.D.	1
22	01-1M1761-00001	Plate – Interior Door Handle	1
23	01-1000V1-00036	Ring – Retaining 7/16 In. (Zinc).....	1
24	01-1M2937-00003	Retainer – Window (Horizontal) (21 In. Window) (Incls. Item 27) (Previous Construction)	2
25	01-1M2937-00002	Retainer – Window (Horizontal) (10 In. Window) (Incls. Item 27).....	2
26	01-1M5574-00001	Retainer – Window (Horizontal) (21 In. Window) (Current Construction).....	2
**27	01-100V21-0039A	Tape – Silicone (1/8 x 3/4).....	22 In.
**28	01-100V21-00162	Tape – Silicone Foam (Current Construction).....	AR
29	01-1M2937-00001	Retainer – Window (Vertical) (21 In. Window) (Incls. Item 31) (Previous Construction).....	2
30	01-1M5574-00002	Retainer – Window (Vertical) (10 In. Window) (Incls. Item 32) (Current Construction).....	2
**31	01-100V21-0039A	Tape – Silicone (1/8 x 3/4).....	62 In.
**32	01-100V21-00162	Tape – Silicone Foam	AR
33	01-1M2255-00002	Clamp – Floor Sweep	1
34	01-1M2778-00002	Strip – Silicone Floor Seal	1
35	01-1M2769-00002	Support – Floor Seal	1
***36	01-1M5918-00002	Hinge – Door (Male) (Machines Built Before 2/01/07) (Incls. Item 38)	2
***37	01-1M5918-00001	Hinge – Weldment (Female) (Machines Built On or After 2/01/07).....	2
38	01-1M5918-00201	Pin – Hinge Loading Door.....	2
39	01-1000V0-00080	Bearing – Door Hinge (Brass).....	2
	01-1000V4-00067	Speed Nut.....	AR
	01-1000V4-00074	Mach. Screw 1/4-20 x 3/4 Flat Hd.....	AR
	01-1M5289-00001	Gasket – Loading Door Jamb	1
	01-1M5289-00002	Gasket – Loading Door Header	1
	01-1A2876-00101	Guard – Window 210	5
	01-1A2876-00102	Guard – Window HBA2.....	5
	01-1M5551-00005	Door Assy. – Loading W/Grid (10 In. Window) (Packaged)	1
	01-1M5551-00006	Door Assy. – Loading W/Grid (21 In. Window) (Packaged)	1
	01-1M5551-00003	Door Assy. – Loading (Wide Window) (Packaged) (Machines Built On or After 6/01/03).....	1
	01-1M5592-00201	Guard – Window (21 In. Window Triple – Pane).....	5

*Sold Per Foot

**Sold Per Inch

***Machines built before 2/01/07 must order items 36 & 37.



DOOR ASSEMBLY (PUSH LOCK TYPE)

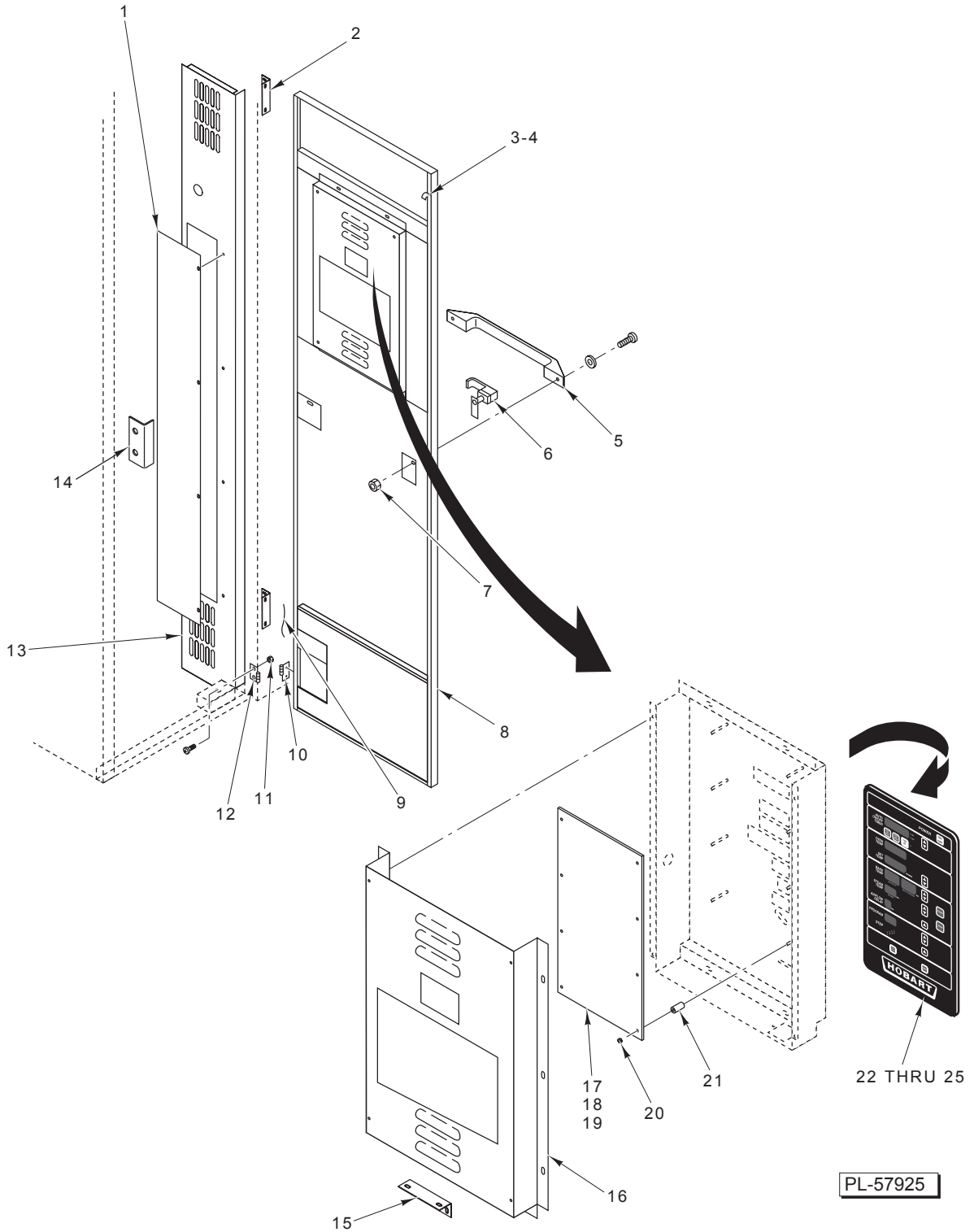
DOOR ASSEMBLY (PUSH LOCK TYPE)

ILLUS.	PART NO.	NAME OF PART	AMT.
PL-58743			
1	01-1M6033-00001	Weldment – Door.....	1
2	01-100V16-0168C	Label – Caution.....	1
*3	01-100V18-0120B	Handle – Chrome Plated.....	1
4	01-100V16-00259	Label – Warning.....	1
5	01-1M5910-00001	Spacer – Door Handle.....	1
**6	01-100V21-00065	Tape – Fiberglass (1/8 x 1).....	30 Ft.
7	01-1M6034-00101	Skin – Inner Door.....	1
8	01-1M2254-00001	Guide – Door Switch Actuator.....	1
9	01-100V16-00709	Glass – Triple Pane.....	1
10	01-100V16-0644B	Gasket – Window (1 Pc. Fused Corner).....	1
11	01-1M5920-00209	Cover – Inner Door Latch.....	2
12	01-1M1435-00002	Handle – Interior Door (Incls. Items 12 thru 15).....	1
13	01-100V20-00010	Spring – Compression 7/16 O.D.....	1
14	01-1M1761-00001	Plate – Interior Door Handle.....	1
15	01-1000V1-00036	Ring – Retaining 7/16 In. (Zinc).....	1
16	01-1M6030-00001	Retainer – Horizontal Door Glass.....	2
***17	01-100V21-00162	Tape – Silicone Foam (1/8 x 1 11/64).....	10 In.
18	01-1M5843-00001	Retainer – Window.....	2
***19	01-100V21-00162	Tape – Silicone Foam (1/8 x 1 11/64).....	60 In.
20	01-1M6034-00102	Sweep – Inner Door.....	1
21	01-100V16-0683A	Gasket – Floor Sweep.....	1
22	01-1M6034-00103	Sweep – Outer Door.....	1
23	01-1M5918-00001	Hinge – Door (Female).....	2
	01-1M6034-00001	Door Assy. – Push Lock (Incls. Items 1 thru 23).....	1
	01-1M5092-00006	Insulation (Packaged).....	1

* Order With 01-100V16-00259.

**Sold Per Foot

***Sold Per Inch

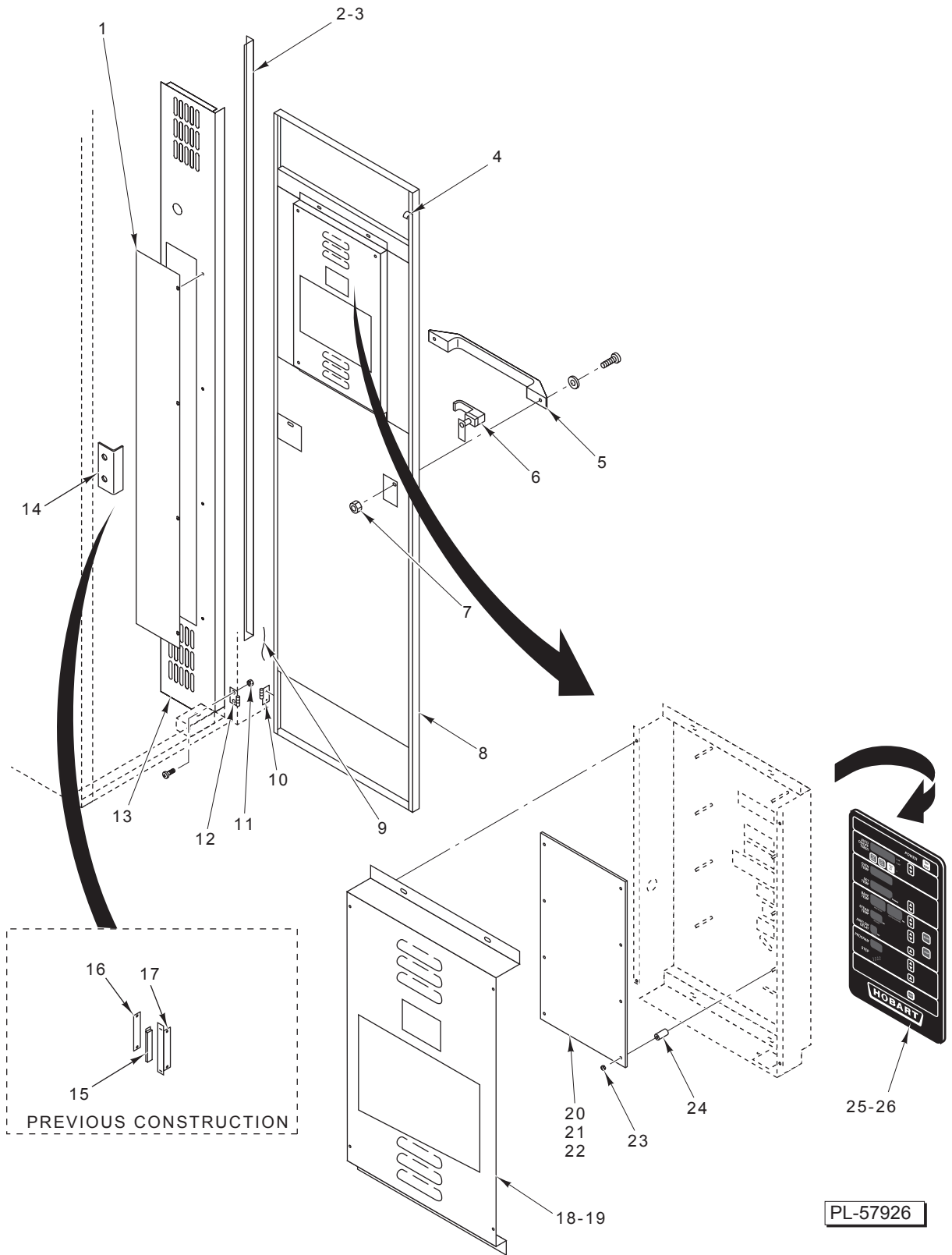


CONTROL CABINET, DOOR, AND CONTROLLER (ML-132358)

CONTROL CABINET, DOOR, AND CONTROLLER (ML-132358)

ILLUS. PL-57925	PART NO.	NAME OF PART	AMT.
1	01-1M5150-00001	Cover – Light Access	1
2	01-1M5482-00001	Angle – Control Cabinet.....	2
3	01-100V21-00092	Gasket – PVC Extruded “B” Shape	6 Ft.
4	01-100V21-00148	Trim – Rubber Edge.....	1
5	01-100V18-00091	Handle	1
6	01-100V18-00161	Latch	1
7	01-1000V4-00165	Nut Hex.....	2
8	01-1M5480-00001	Door – Control Assy. (Incls. Items 2, 3, 5, 6, 9, & 12)	1
9	01-1M2777-00001	Strap – Ground	1
10	01-1M1934-00001	Hinge – Control Door (Male).....	3
11	01-1000V4-00165	Nut Hex.....	6
12	01-1M1934-00002	Hinge – Control Door (Female).....	3
13	01-1M5149-00001	Panel – Light Service Access	1
14	01-1M5479-00001	Catch – Control Door.....	1
15	01-1M5482-00001	Bracket.....	2
16	01-1M5405-00001	Cover – Controller.....	1
17	01-100V16-00590	EPROM (Standard).....	1
18	01-100V16-00648	EPROM (Advanced)	1
19	01-100V16-00565	PC Board – Control (Standard & Advanced)	1
20	01-1000V4-00165	Nut	8
21	01-1000V5-00164	Spacer – PC Board.....	8
22	01-100V16-0545A	Overlay – Controller (Standard).....	1
*23	01-100V16-0546A	Overlay – Controller (Advanced)	1
24	01-100V16-0546C	Overlay – No Steps With Jog (Panera).....	1
25	01-100V23-00F10	Fuse (1A., 250V.).....	1
	01-1M5569-00003	Kit – Conversion (Standard to Advanced).....	1
	01-1M5569-00004	Kit – Conversion (Advanced to Standard)	1
	01-100V10-00223	Alarm – Piezo Pre-wired	1
	01-100V11-0030A	Connector – Seal Flex (3/8 x 90 Deg.).....	2
	01-100V16-00584	Label – Control Status	1
	01-1000V6-00249	Switch – Key Security	1
	01-1M5035-00002	Harness – Main (Machines Built Before 8/03/05)	1
	01-1M5670-00001	Harness – Main (Machines Built On or After 8/03/05)	1

* On Units Built Before 3/28/05, Order Item 18.

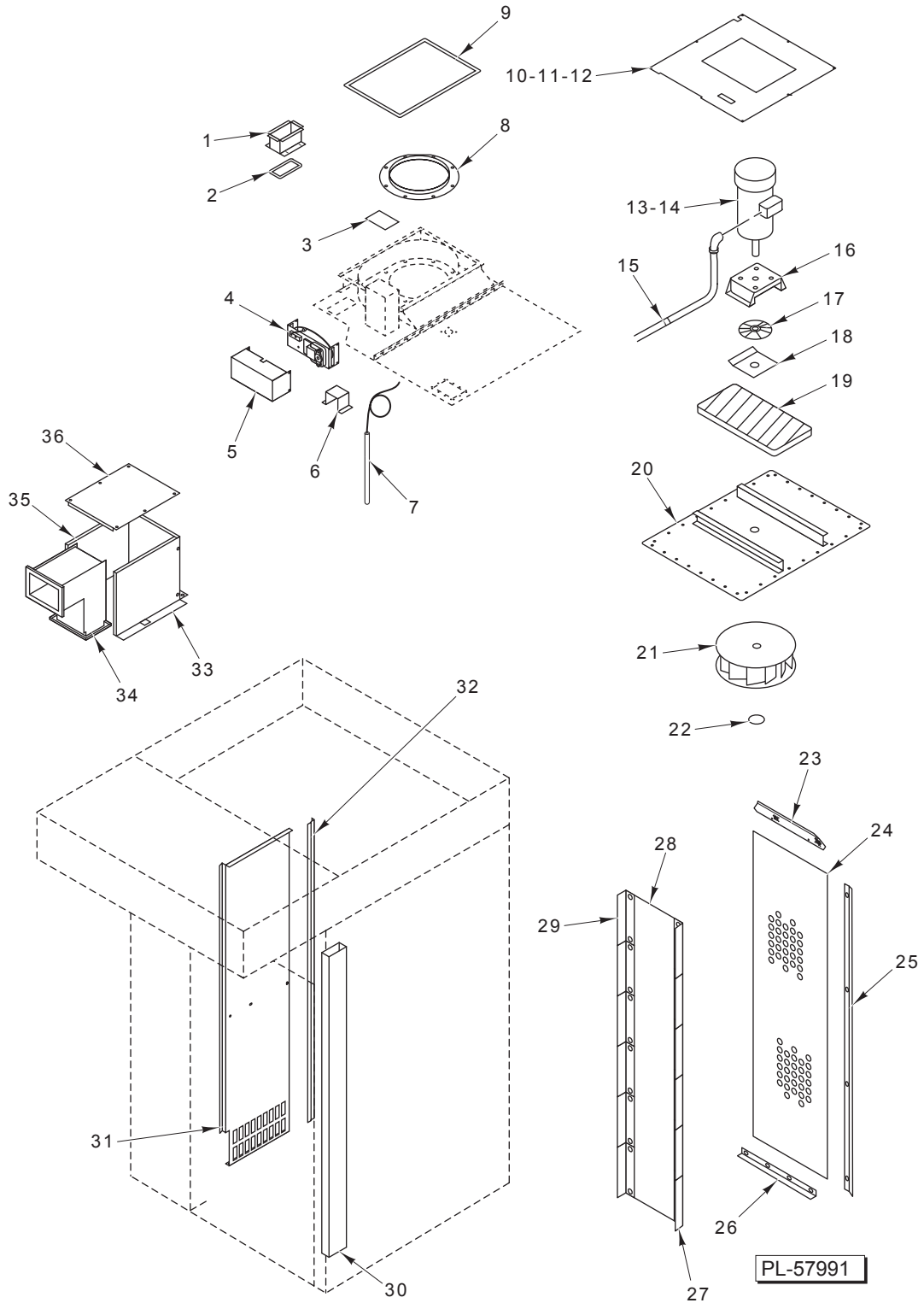


CONTROL CABINET, DOOR, AND CONTROLLER (ML-132280)

CONTROL CABINET, DOOR, AND CONTROLLER (ML-132280)

ILLUS. PL-57926	PART NO.	NAME OF PART	AMT.
1	01-1M5150-00001	Cover – Light Access	1
2	01-1M5175-00001	Angle – Control Cabinet (Machines Built Before 3/15/04)	1
3	01-1M5482-00001	Angle – Control Cabinet (Machines Built After 4/01/04)	2
4	01-100V21-00092	Gasket – PVC Extruded “B” Shape	6 Ft.
5	01-100V18-00091	Handle	1
6	01-100V18-00161	Latch (Machines Built After 4/01/04)	1
7	01-1000V4-00165	Nut Hex	2
8	01-1M4992-00001	Door – Control	1
9	01-1M2777-00001	Strap – Ground	1
10	01-1M1934-00001	Hinge – Control Door (Male)	3
11	01-1000V4-00165	Nut Hex	6
12	01-1M1934-00002	Hinge – Control Door (Female)	3
13	01-1M5149-00001	Panel – Service Access	1
14	01-1M5479-00001	Catch – Control Door (Machines Built On or After 4/01/04)	1
15	01-100V16-00055	Magnet (Machines Built Before 4/01/04)	1
16	01-1M1911-00102	Backer – Magnet Holder (Machines Built Before 4/01/04)	1
17	01-1M1911-00101	Body – Magnet Holder (Machines Built Before 4/01/04)	1
18	01-1M5060-00001	Cover – Controller (Machines Built Before 4/01/04)	1
19	01-1M5405-00001	Cover – Controller (Machines Built On or After 4/01/04)	1
20	01-100V16-00590	EPROM (Standard)	1
21	01-100V16-00648	EPROM (Advanced)	1
22	01-100V16-00565	PC Board – Control (Standard & Advanced)	1
23	01-1000V4-00165	Nut Hex	8
24	01-1000V5-00164	Spacer – PC Board	8
25	01-100V16-0545A	Overlay – Controller (Standard)	1
*26	01-100V16-0546A	Overlay – Controller (Advanced)	1
	01-1M5569-00003	Kit – Conversion (Standard to Advanced)	1
	01-1M5569-00004	Kit – Conversion (Advanced to Standard)	1
	01-100V10-00223	Alarm – Piezo Pre-wired	1
	01-100V11-0030A	Connector – Seal Flex (3/8 x 90 Deg.)	2
	01-100V16-00584	Label – Control Status	1

* On Units Built Before 3/28/05, Order Item 21.



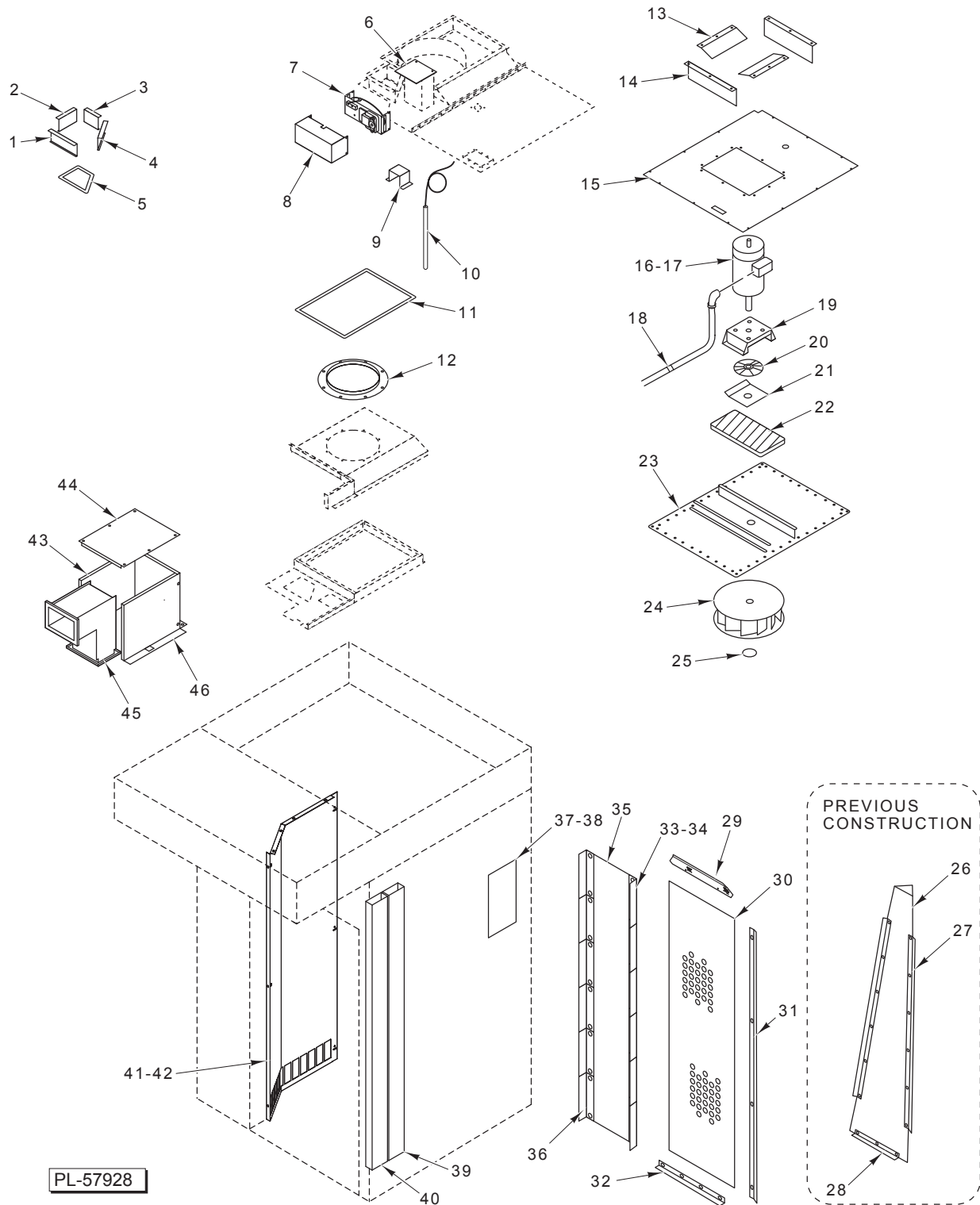
BLOWER, PANELS, AND VENTS (ML-132358)

PL-57991

BLOWER, PANELS, AND VENTS (ML-132358)

ILLUS. PL-57991	PART NO.	NAME OF PART	AMT.
1	01-1M5462-00001	Weldment – Rope Gasket.....	1
*2	01-100V21-00072	Rope – Glass 3/4 In. Dia.	AR
3	01-1M5834-00001	Vent – Intake Lid.....	1
4	01-1M5514-00002	Vent – Motor Actuator Assy.	1
5	01-1M5101-00001	Cover – Vent Bracket.....	1
6	01-1M1433-00001	Protector – Thermocouple.....	1
7	01-1A1828-00001	Kit – Thermocouple.....	1
8	01-1M2451-00001	Bell – Inlet.....	1
*9	01-100V21-00058	Tape – Teflon 1/8 x 1.....	AR
10	01-1M5456-00001	Cover – Blower Insulation (Machines Built Before 3/15/04).....	1
11	01-1M5542-00001	Cover – Blower Insulation (Machines Built On or After 3/15/04).....	1
12	01-1M2227-00001	Liner – Blower Insulation.....	1
13	01-1000V8-00052	Motor – Blower (3 Ph., 1 1/2 Hp.).....	1
14	01-1000V8-00067	Motor – Blower (1 Ph., 2 Hp.).....	1
15	01-100V11-00073	Clamp – Conduit 1/2.....	2
16	01-1M1360-00001	Mount – Blower Motor.....	1
17	01-1M2458-00001	Heat Slinger Assy.....	1
18	01-1M1794-00001	Cover – Blower Insulation.....	1
19	01-1M1795-00001	Insulation – Blower.....	1
20	01-1M2059-00001	Weldment – Blower Mount.....	1
21	01-1000V8-00041	Wheel – Blower (15 In. Dia.).....	1
22	01-1000V1-00028	Ring – Snap.....	1
23	01-1M2101-00004	Z-Bar (Pressure Panel).....	1
24	01-1M2579-00001	Wall – Inner Pressure Panel.....	1
25	01-1M2479-00003	Retainer – Pressure Panel Side Wall.....	2
26	01-1M2479-00002	Retainer – Pressure Panel Bottom Wall.....	2
27	01-1M5459-00001	Shutter – Pressure Panel 97 Deg.....	6
28	01-1M5523-00001	Body – Pressure Panel Shutter Support.....	1
29	01-1M5459-00002	Shutter – Pressure Panel 90 Deg.....	6
30	01-1M2089-00001	Duct – Bottom Vent.....	1
31	01-1M5473-00001	Panel – Suction.....	1
32	01-1M5476-00001	Bracket – Mounting (Suction Panel).....	1
33	01-1M2222-00001	Side – Duct Insulation Cover.....	1
34	01-1M2074-00001	Duct – Vent.....	1
35	01-1M2223-00001	Body – Duct Insulation Cover.....	1
36	01-1M2224-00001	Top – Duct Insulation Cover.....	1
	01-1M2060-00002	Blower Assy. (3 Ph.) (Incls. Items 6, 7, 10 thru 13, & 15 thru 22).....	1
	01-1M2060-00004	Blower Assy. (1 Ph.) (Incls. Items 6, 7, 10 thru 12, & 14 thru 22).....	1
	01-1M5827-0001A	Vent Switch – Replacement Kit.....	1
	01-1M5827-00101	Bracket – Vent Switch.....	1

* Sold Per Inch

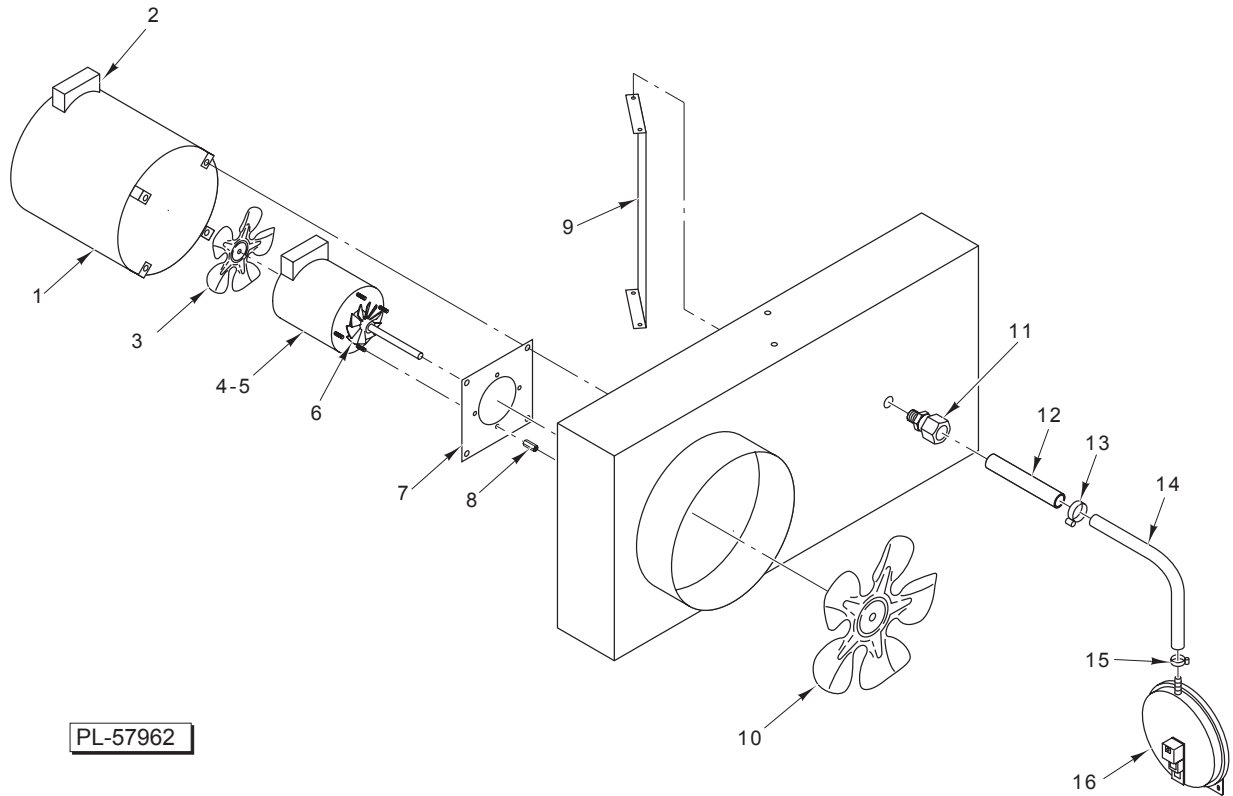


BLOWER, PANELS, AND VENTS (ML-132280)

BLOWER, PANELS, AND VENTS (ML-132280)

ILLUS.	PART NO.	NAME OF PART	AMT.
	PL-57928		
1	01-1M5015-00003	Retainer – Exhaust Stack Packing	1
2	01-1M5015-00002	Retainer – Exhaust Stack Packing	1
3	01-1M5015-00004	Retainer – Exhaust Stack Packing	1
4	01-1M5015-00001	Retainer – Exhaust Stack Packing	1
*5	01-100V21-00072	Rope – Glass 3/4 In. Dia.	AR
6	01-1M5834-00001	Vent – Intake Lid	1
7	01-1M5514-00002	Vent – Motor Actuator Assy.	1
8	01-1M5101-00001	Cover – Vent Bracket	1
9	01-1M1433-00001	Protector – Thermocouple	1
10	01-1A1828-00001	Kit – Thermocouple	1
*11	01-100V21-00058	Tape – Teflon 1/8 x 1	AR
12	01-1M2451-00002	Bell – Inlet	1
13	01-1M1895-00001	Cover – Blower Insulation	2
14	01-1M2227-00001	Liner – Blower Insulation Cover	2
15	01-1M5027-00001	Cover – Blower Insulation	1
16	01-1000V8-00052	Motor – Blower (3 Ph., 1 1/2 Hp.)	1
17	01-1000V8-00067	Motor – Blower (1 Ph., 2 Hp.)	1
18	01-100V11-00073	Clamp – Conduit 1/2	2
19	01-1M1360-00001	Mount – Blower Motor	1
20	01-1M2458-00001	Heat Slinger Assy.	1
21	01-1M1794-00001	Cover – Blower Insulation	1
22	01-1M1795-00001	Insulation – Blower	1
23	01-1M5026-00001	Weldment – Blower Mount	1
24	01-1000V8-00058	Wheel – Blower (18 In. Dia.)	1
25	01-1000V1-00028	Ring – Snap	1
26	01-1M2579-00001	Wall – Inner Pressure Panel (Previous Construction)	1
27	01-1M2560-00002	Retainer – Pressure Panel Side Wall (Previous Construction)	2
28	01-1M2560-00001	Retainer – Pressure Panel Bottom Wall (Previous Construction)	1
29	01-1M5686-00207	Retainer – Pressure Panel Top	1
30	01-1M2572-00001	Screen – Pressure Panel	1
31	01-1M5686-00206	Retainer – Pressure Panel	2
32	01-1M5686-00205	Retainer – Pressure Panel	1
33	01-1M3117-00001	Shutter – Pressure Panel 97 Deg.	6
34	01-1000V4-00020	Insert – Threaded 1/4-20	24
35	01-1M2096-00002	Body – Pressure Panel Shutter Support	1
36	01-1M5176-00001	Shutter – Pressure Panel 90 Deg.	6
37	01-1M2557-00002	Guide – Pressure Panel Air (RH) (Previous Construction)	1
38	01-1M2557-00001	Guide – Pressure Panel Air (LH) (Previous Construction)	1
39	01-1M2566-00001	Duct – Side	1
40	01-1M2089-00001	Duct – Bottom Vent	1
41	01-1M5050-00001	Panel – Suction (Machines Built Before 4/25/07)	1
42	01-1M5935-00002	Panel – Suction (Machines Built On or After 4/25/07) (Starting Serial #24-1045072)	1
43	01-1M2223-00001	Body – Duct Insulation Cover	1
44	01-1M2224-00001	Top – Duct Insulation Cover	1
45	01-1M2074-00001	Duct – Vent	1
46	01-1M2222-00001	Side – Duct Insulation Cover	1
	01-1M5025-00001	Blower Assy. (3 Ph.) (Incls. Items 9, 10, 15, 16, & 18 thru 25)	1
	01-1M5025-00002	Blower Assy. (1 Ph.) (Incls. Items 9, 10, 15, & 17 thru 25)	1
	01-1M5177-00001	Pressure Panel Assy. (Incls. Items 33 thru 36)	1
	01-100V16-00682	Gasket – Vent Duct	1
	01-1M5827-0001A	Kit – Vent Switch Replacement	1
	01-1M5827-00101	Bracket – Vent Switch	1

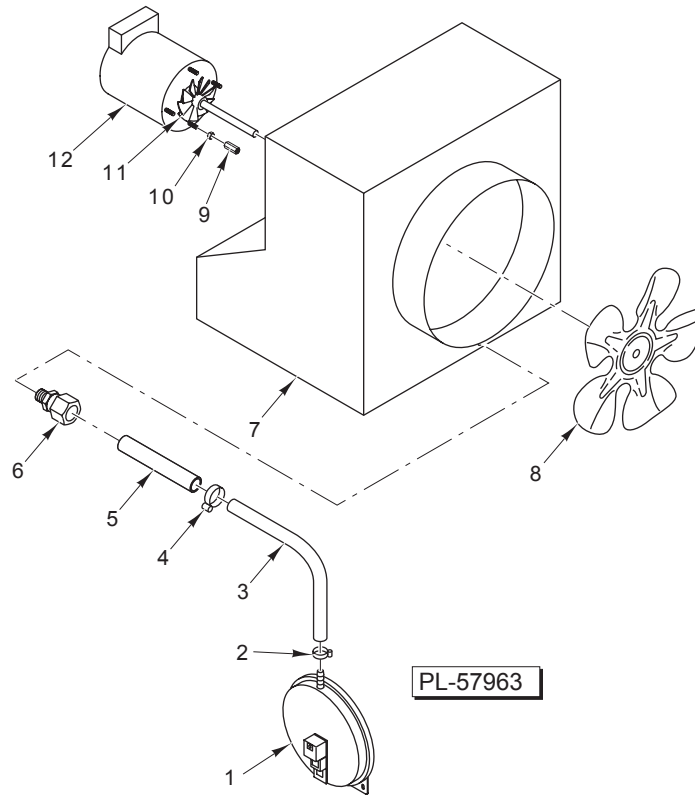
* Sold Per Inch



PL-57962

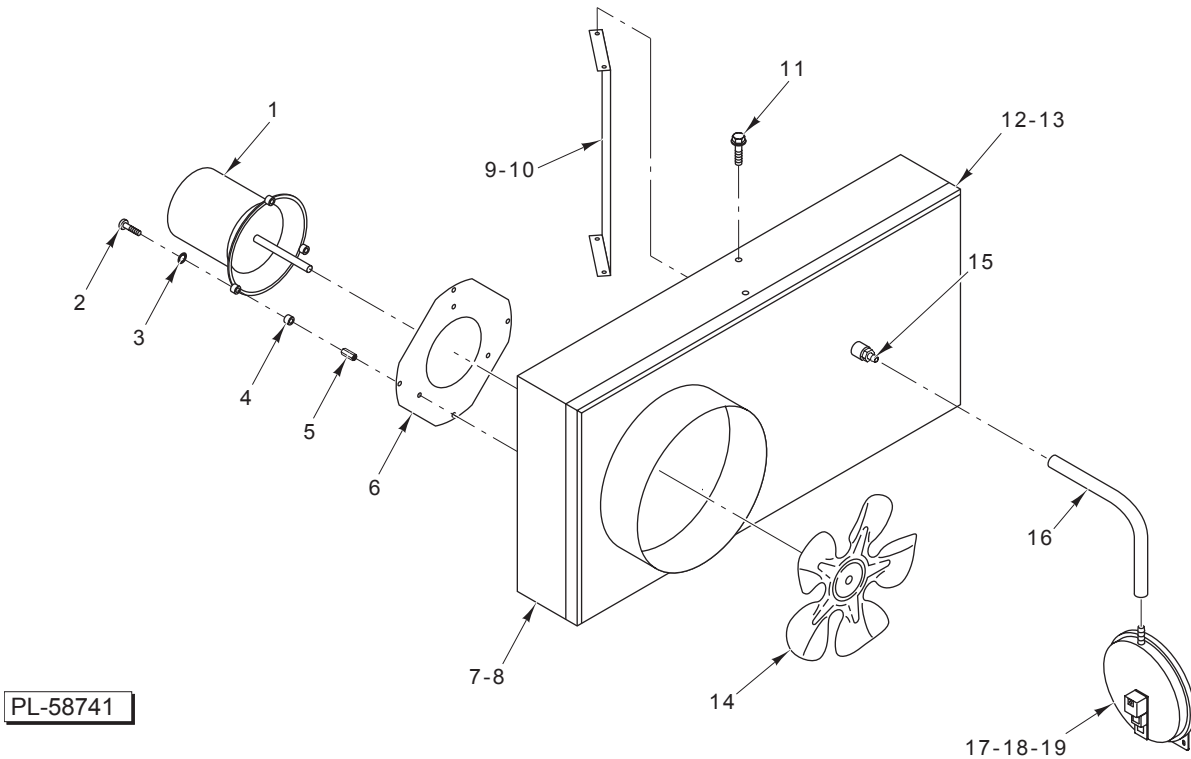
**DRAFT INDUCER (ML-132358)
(PREVIOUS CONSTRUCTION BEFORE 7/26/05)**

ILLUS.	PART NO.	NAME OF PART	AMT.
PL-57962			
1	01-1M5499-00001	Shroud – Motor Draft Inducer	1
2	01-100V11-0024A	Box.....	1
3	01-1000V8-00120	Blade – Fan (4½ In. Dia.)	1
4	01-1M5581-00002	Motor (3000 RPM)	1
5	01-1000V5-00059	Bushing – Snap (Plastic)	1
6	01-1000V8-00099	Blade – Fan (2 In. Dia.).....	1
7	01-1M5508-00001	Plate – Motor Draft Inducer.....	1
8	01-1M3001-00003	Spacer	1
9	01-1M5509-00001	Baffle – Draft Inducer.....	1
10	01-1000V8-00121	Blade – Fan (6½ In. Dia.)	1
11	FP-078-49	Fitting – Tube (¼ In.) (Brass).....	1
12	01-100V17-00004	Tube – ¼ O.D.	AR
13	01-1000V1-00018	Clamp – Hose ¼ I.D. x 7/16 O.D.	1
14	01-1A1023-00425	Tube – Black (Neoprene)	1
15	01-1000V1-00018	Clamp – Hose ¼ I.D. x 7/16 O.D.	1
16	01-1M5651-00013	Switch – Pressure.....	1
	01-1M5654-00001	Inducer – Draft Assy.....	1
	01-1000V8-00122	Guard – Fan.....	1



**DRAFT INDUCER (ML-132280)
(PREVIOUS CONSTRUCTION BEFORE 8/1/05)**

ILLUS.	PART NO.	NAME OF PART	AMT.
PL-57963			
1	01-1M5651-00011	Switch – Pressure.....	1
2	01-1000V1-00018	Clamp – Hose 1/4 I.D. x 7/16 O.D.	1
3	01-1A1023-00425	Tube – Black (Neoprene).....	1
4	01-1000V1-00018	Clamp – Hose 1/4 I.D. x 7/16 O.D.	1
5	01-100V17-00004	Tube – 1/4 O.D.	AR
6	FP-078-49	Fitting – Tube (1/4 In.) (Brass).....	1
7	01-1M5157-00001	Draft Inducer Weldment.....	1
8	01-1000V8-00113	Blade – Fan 8 In. Dia.	1
9	01-1000V4-00220	Nut – Coupler 8-32 x 5/8	4
10	NS-046-51	Nut 8-32	4
11	01-1000V8-00099	Blade – Fan 2 In. Dia.	1
12	01-1000V8-0098B	Motor – Venter (3000 RPM W/J-Box)	1
	01-1M5156-00001	Draft Inducer Assy. (Incls. Items 7 thru 12).....	1

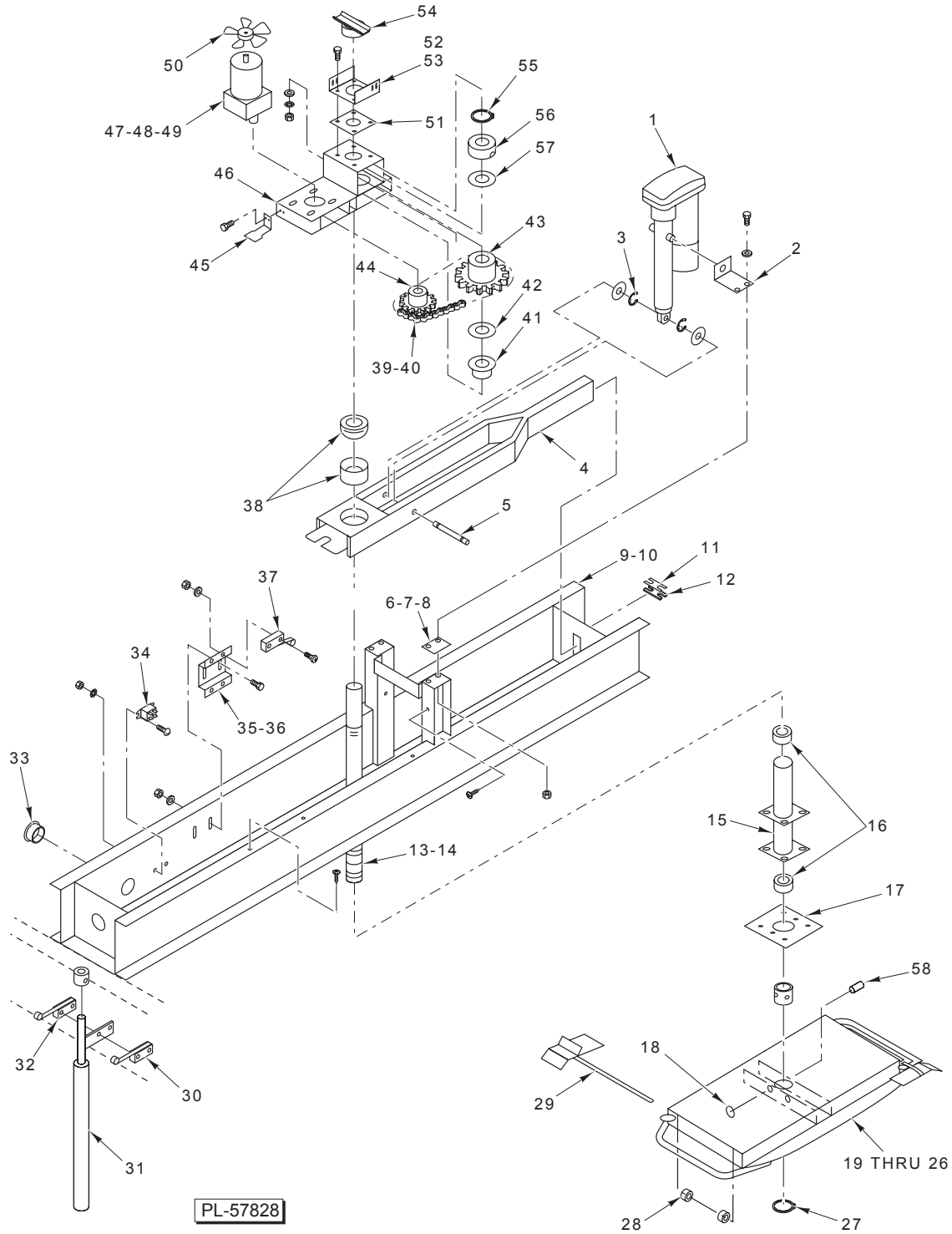


DRAFT INDUCER (CURRENT CONSTRUCTION)
(ML-132358 ON OR AFTER 7/26/05 & ML-132280 ON OR AFTER 8/1/05)

**DRAFT INDUCER (CURRENT CONSTRUCTION)
(ML-132358 ON OR AFTER 7/26/05 & ML-132280 ON OR AFTER 8/1/05)**

ILLUS. PL-58741	PART NO.	NAME OF PART	AMT.
1	01-1000V8-00133	Motor – Fan (3000 RPM) (Units Built On or After 2/01/08).....	1
2	-	Mach. Screw 10-32 x 3/8 Phil. Truss Hd., Type 1.....	3
3	-	Lockwasher #10 Internal Tooth, Type A.....	3
4	01-1000V5-00220	Bushing – Spacer.....	3
5	01-1M3001-00003	Spacer 10-32 x 3/4.....	3
6	01-1M5653-00001	Plate – Draft Inducer Fan Mounting.....	1
7	01-1M5655-00001	Box – Draft Inducer (ML-132358).....	1
8	01-1M5655-00002	Box – Draft Inducer (ML-132280).....	1
9	01-1M5657-00001	Damper – Draft Inducer (ML-132358).....	1
10	01-1M5657-00002	Damper – Draft Inducer (ML-132280).....	1
11	-	Screw 10-32 x 5/8 Hex Washer Hd. (SST).....	1
12	01-1M5656-00001	Cover Assy. – Draft Inducer (ML-132358).....	1
13	01-1M5656-00002	Cover Assy. – Draft Inducer (ML-132280).....	1
14	01-1000V8-00121	Blade – Fan.....	1
15	FP-078-49	Fitting – Tube (1/4 In.) (Brass).....	1
*16	01-100V17-00004	Tube – Alum. (1/4 O.D.).....	AR
17	01-1M5973-00001	Switch – Pressure (180 kBTU, 60 Hz.) (300 kBTU, 60 Hz.).....	1
18	01-1M5651-00018	Switch – Pressure (180 kBTU, 50 Hz.) (ML-132358).....	1
19	01-1M5651-00022	Switch – Pressure (350 kBTU, 60 Hz.) (300 kBTU, 50 Hz.) (ML-132280).....	1
	01-1M5507-00001	Hood – Connector.....	1
	01-1M5652-00002	Motor Assy. – Draft Inducer (Incls. Items 1 & 6) (All Double Machines Built Before 2/01/08).....	1
	01-1M5654-00001	Draft Inducer Assy. (Incls. Items 1 thru 7, 9, 11, 12, & 14) (ML-132358).....	1
	01-1M5654-00002	Draft Inducer Assy. (Incls. Items 1 thru 6, 8, 10, 11, 13, & 14) (ML-132280).....	1

* Sold Per Inch.



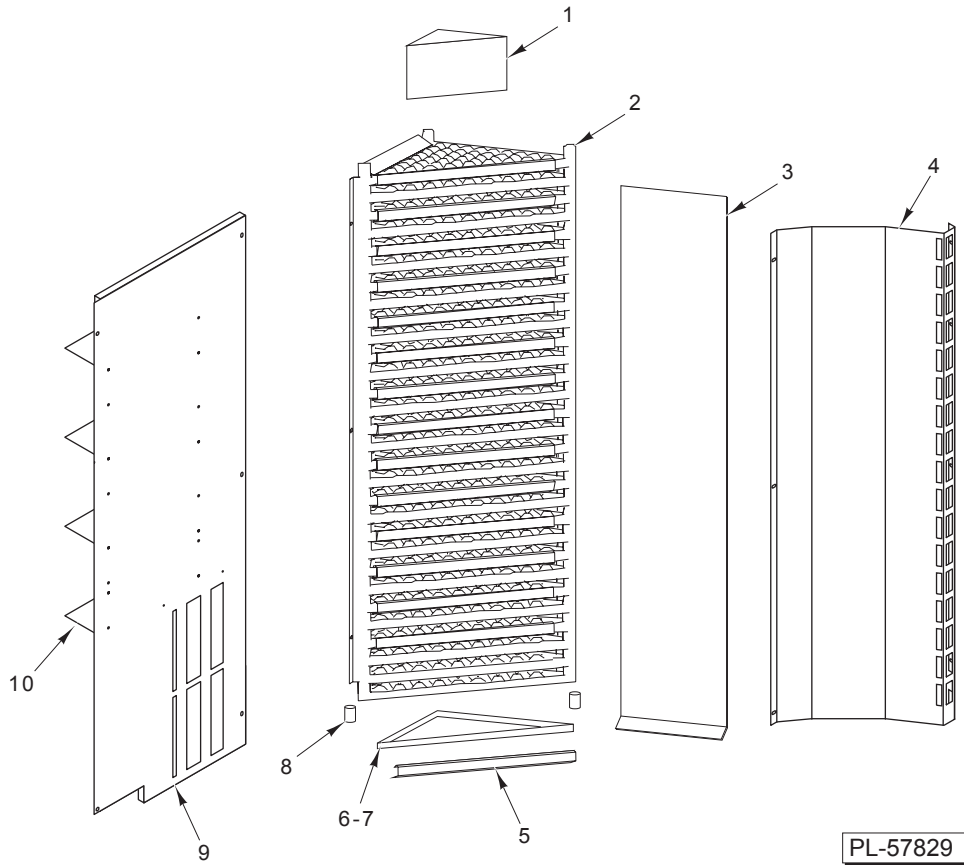
LIFTER AND ROTATOR

ILLUS.	PART NO.	NAME OF PART	AMT.
PL-57828			
1	01-1M2418-00001	Linear Actuator – Modified	1
2	01-1M2289-00001	Angle – Linear Actuator Support	2
3	01-1000V1-00037	Ring – Snap 1/2 In. Dia.	2
4	01-1M2304-00001	Arm	1
5	01-1M2290-00001	Shaft – Pivot (Linear Actuator Support)	1

LIFTER AND ROTATOR (CONT.)

ILLUS.	PART NO.	NAME OF PART	AMT.
PL-57828			
*6	01-1M2766-00003	Shim (24 Ga. Steel)	AR
*7	01-1M2766-00002	Shim (24 Ga. Steel)	AR
*8	01-1M2766-00001	Shim (16 Ga. Steel)	AR
9	01-1M2298-00001	Weldment – Lifter (ML-132358)	1
10	01-1M2298-00002	Weldment – Lifter (ML-132280)	1
11	01-1M2730-00001	Plate	1
12	01-1M2731-00001	Strip	1
13	01-1M2797-00001	Shaft (Standard 28.35 - 28.41)	1
14	01-1M4865-00001	Shaft – Short (26.85 - 26.91) (C Lift) (Canada Only)	1
15	01-1M2140-00001	Housing – Rotator Shaft	1
16	01-1000V0-00055	Bearing – Rotator Shaft	2
17	01-1M1899-00001	Clamp – Rotator Housing	1
18	01-100V15-00048	Plug – Nickel Plated (For 0.75 Hole)	1
19	01-1M5363-00001	Rack – Carrier (A Style) (ML-132280)	1
20	01-1M2796-00001	Rack – Carrier (B Style) (Incls. Items 25 & 26) (ML-132358)	1
21	01-1M2796-00002	Rack – Carrier (B Style) (Incls. Items 25 & 26) (ML-132280)	1
22	01-1M4862-00002	Rack – Carrier (C Style) (ML-132358)	1
23	01-1M4862-00001	Rack – Carrier (C Style) (ML-132280)	1
24	01-1M4862-00003	Rack – Carrier (C Style) (Canada Only)	1
25	01-1M4862-00007	Lift – Carrier (Panera) (ML-132280)	1
26	01-1M4862-00006	Lift – Carrier (C Style)	1
27	01-1000V1-00004	Ring – Snap (1½ In.)	1
28	01-1000V1-00013	Collar – Set ½ In. Dia.	1
29	01-1M2580-00002	Stop – Rack Carrier (B Style Carrier)	1
30	01-1000V6-00223	Switch – Lever DPST	1
31	01-1M2765-00001	Rod – Door Switch Actuator Pivot	1
32	01-1000V6-00065	Micro-Switch	1
33	01-1000V5-00073	Bushing – Snap ½ In. Dia.	1
34	01-1000V6-00070	Relay	1
35	01-1M2296-00001	Bracket – Micro-Switch (A Style) (ML-132280)	1
36	01-1M2296-00002	Bracket – Micro-Switch (B & C Style)	1
37	01-1000V6-00065	Micro-Switch	1
38	01-1000V0-00051	Bushing – Spherical	1
39	01-1000V3-00088	Link – Connecting	1
40	01-1000V3-0087A	Chain – Roller 20⅛ In.	1
41	01-1000V0-00054	Bearing – Flanged	1
42	01-1000V0-00068	Washer – Thrust	1
43	01-1M2228-00001	Sprocket	1
44	01-1000V3-00105	Sprocket (17T)	1
45	01-1M2489-00001	Actuator – Micro-Switch	1
46	01-1M2114-00001	Rotator – Weldment	1
47	01-1000V8-00111	Capacitor	1
48	01-1000V8-00110	Gear Motor	1
49	01-1000V8-0049D	Bracket – Mounting	1
50	01-1000V8-00113	Blade – Fan 8 In. Dia.	1
51	01-1M1927-00001	Plate – Teflon	1
52	01-1M5085-00001	Plate – Rotator	1
53	01-1000V6-00001	Micro-Switch	1
54	01-1M5201-00001	Pointer	1
55	01-1000V1-00004	Ring – Snap (1½ In.)	1
56	01-1M2264-00001	Collar – Set	1
57	01-1M2265-00001	Clutch – Slide	1
58	01-1000V4-00199	Set Screw ⅜-24 x ⅜ Allen Hd.	1
	01-1M5133-00001	Lifter Assy. (Incls. Items 1 thru 5, 10, 11, 12, 30, & 32 thru 35) (ML-132280)	1
	01-1M5133-00002	Lifter Assy. (Incls. Items 1 thru 5, 9, 11, 12, 30, 32, 33, 34, & 36) (ML-132358)	1
	01-1M5037-00001	Harness – Lifter	1
	01-1000V5-00023	Pad – Mounting	6
	01-1000V5-00015	Nut – Wire	3
	01-1000V5-00014	Tie – Cable	6
	01-1M2750-00001	Side – Lifter Cover	2
	01-1M2751-00002	Front – Lifter Cover	1
	01-1M2752-00001	Back – Lifter Cover	1

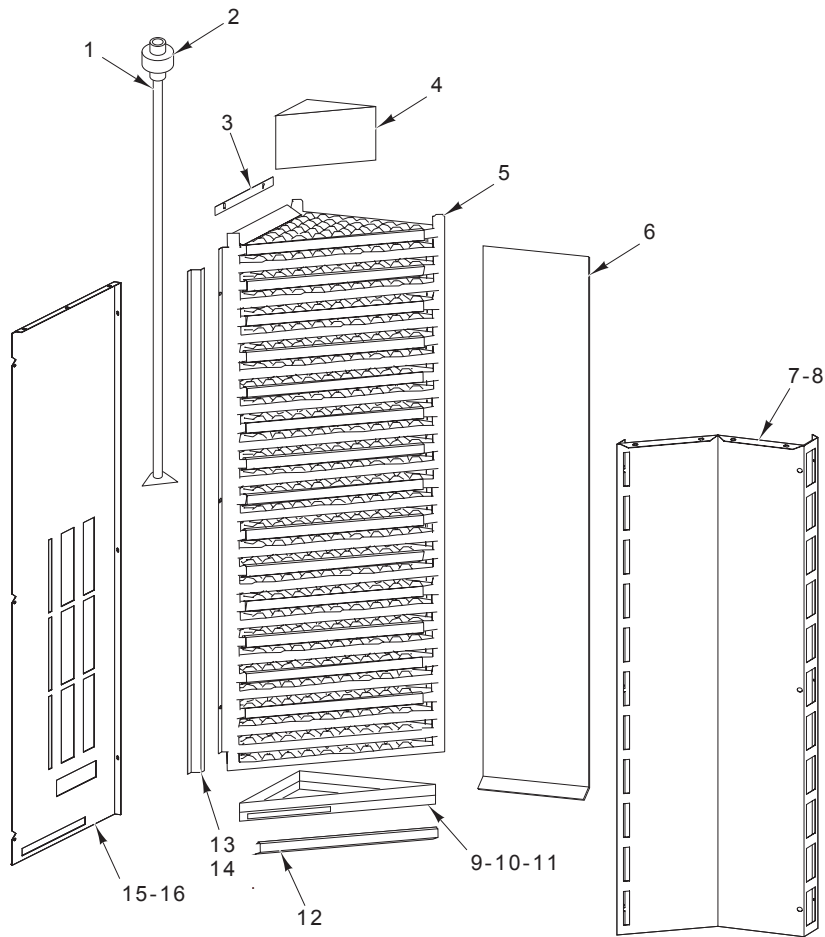
*This part used intermittently and in varying quantities. Most lifter assemblies will not require this part, but a few will require one. A very few will require more than one.



PL-57829

STEAMER ASSEMBLY (ML-132358)

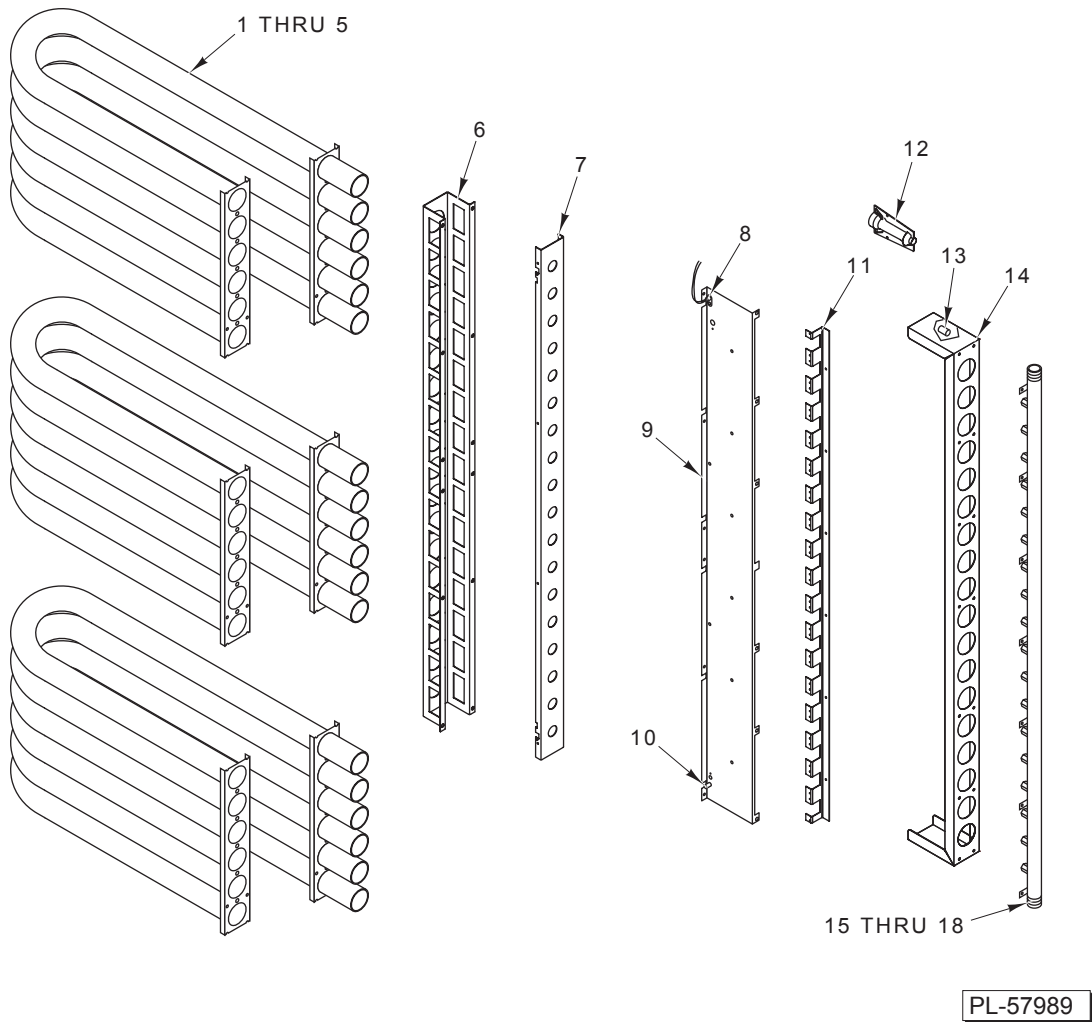
ILLUS.	PART NO.	NAME OF PART	AMT.
	PL-57829		
1	01-1M5198-00001	Box Weldment – Steamer.....	1
2	01-100V16-00529	Casting – Steamer.....	15
3	01-1M5475-00001	Sheet – Splash.....	1
4	01-1M5474-00001	Panel – Steamer.....	1
5	01-1M5065-00001	Bracket – Water Guide.....	7
6	01-1M5064-00001	Pan – Drain.....	1
7	01-1M5068-00001	Plate – Mounting (Drain Pan).....	1
8	01-1M5536-00001	Support – Steamer Castings.....	2
9	01-1M5469-00001	Panel – Heat Exchanger.....	1
10	01-1M5470-00001	Baffle.....	4
	01-100V17-00536	Nozzle – Spray 3/8 In. Pipe.....	1



PL-57830

STEAMER ASSEMBLY (ML-132280)

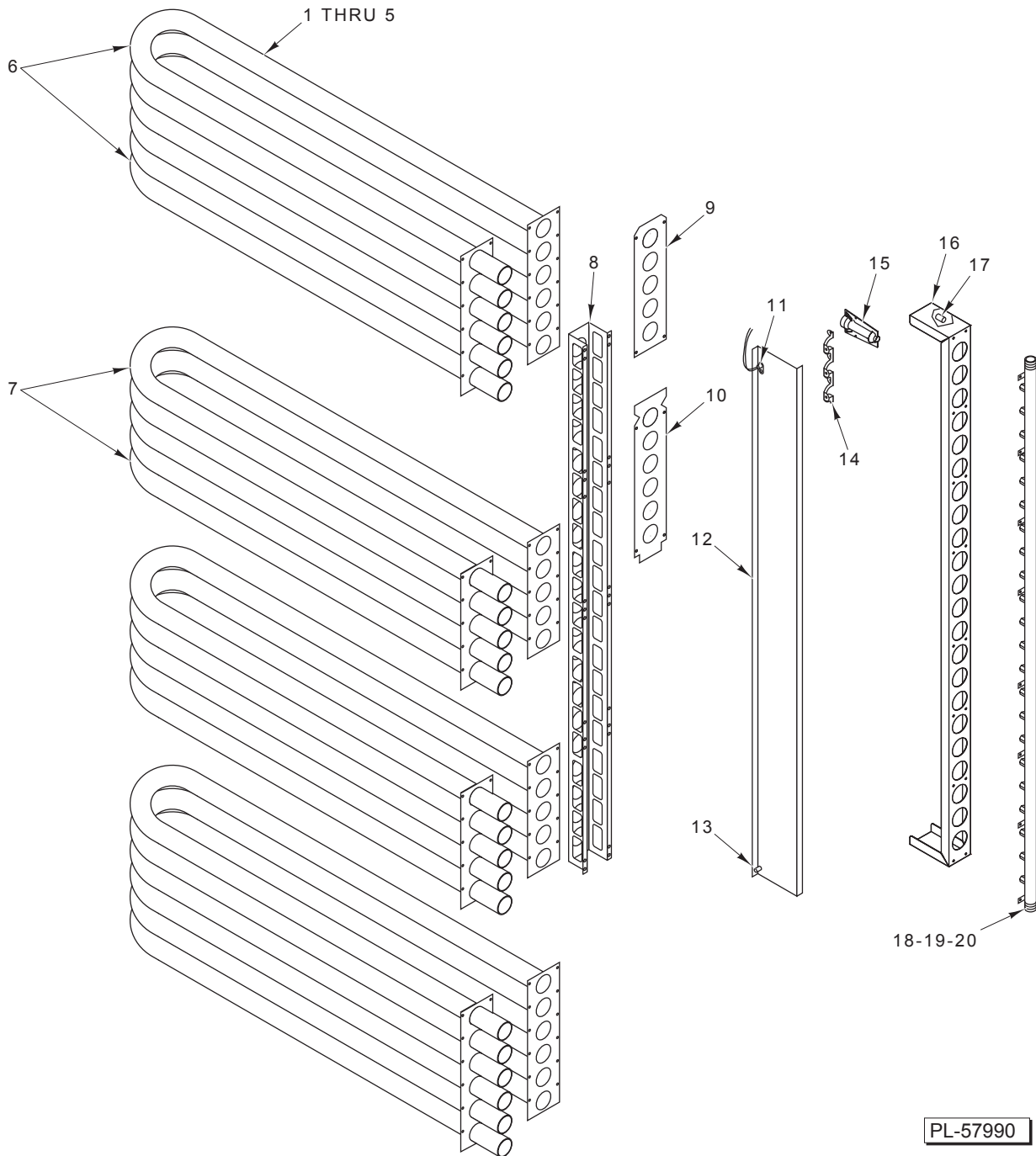
ILLUS. PL-57830	PART NO.	NAME OF PART	AMT.
1	01-1M5146-00001	Manifold Assy. – Steamer (Incls. Item 2).....	1
2	01-100V17-00286	Union 1/2 In. Dia. NPT.....	1
3	01-1M5171-00001	Angle – Shutter Casting (Top Section).....	1
4	01-1M5198-00001	Box Weldment – Steamer.....	1
5	01-100V16-00529	Casting – Steamer.....	30
6	01-1M5067-00001	Sheet – Splash.....	1
7	01-1M5051-00001	Panel – Steamer (Machines Built Before 4/25/07).....	1
8	01-1M5937-00002	Panel – Steamer Outer (Machines Built On or After 4/25/07) (Starting Serial #24-1045072) ..	1
9	01-1M5064-00001	Pan – Drain.....	1
10	01-1M5510-00001	Gasket (8 In.).....	1
11	01-1M5068-00001	Plate – Mounting (Drain Pan).....	1
12	01-1M5065-00001	Bracket – Water Guide.....	15
13	01-1M5171-00002	Angle – Shutter Casting (Side Section) (Machines Built Before 4/25/07).....	1
14	01-1M5939-00002	Angle – Shutter Casting (Machines Built On or After 4/25/07).....	1
15	01-1M5049-00001	Panel – Steamer (Rear) (Machines Built Before 4/25/07).....	1
16	01-1M5936-00002	Panel – Steamer (Rear) Machines Built On or After 4/25/07) (Starting Serial #24-1045072) ..	1



GAS BURNER AND HEAT CIRCULATION (ML-132358)

GAS BURNER AND HEAT CIRCULATION (ML-132358)

ILLUS. PL-57989	PART NO.	NAME OF PART	AMT.
1	01-1M5477-00001	Heat Exchanger Tube Assy. (Incls. Items 2 thru 5).....	3
2	01-100V16-00530	Gasket – Heat Exchanger.....	2
3	01-100V21-00065	Tape – Fiberglass	AR
4	00-542133	Sealer	AR
5	01-100V16-00593	Tube Assy. – Weldment (6-Tube).....	1
6	01-1M5466-00001	Angle Rack – Burner.....	1
7	01-1M5467-00001	Plate – Firing (Burner Rack)	1
8	01-1000V9-00149	Ignitor – Hot Surface	1
9	01-1M5464-00001	Plate – Side (Burner Rack).....	1
10	01-1000V9-00169	Rod – Flame Sensor	1
11	01-1M5465-00001	Mount – Burner	1
12	01-1000V9-00146	Burner – In-Shot (Crossover).....	18
13	01-1000V9-00150	Switch – Flame Rollout (350 F.).....	1
14	01-1M5468-00001	Enclosure – Burner Rack.....	1
15	01-100V16-00610	Manifold Assy. (NAT).....	1
16	01-1000V9-00174	Orifice #53 (0.059 In.) (NAT).....	1
17	01-100V16-00618	Manifold Assy. (LP)	1
18	01-1000V9-00175	Orifice #63 (0.037 In.) (LP)	1
	01-1M5478-00001	Strip – Turbulator (First Pass).....	1
	01-1M5463-00001	Box – Burner Assy. (Incls. Items 7, 9, 11, 12, & 14).....	1
	01-1M5649-00001	Ignition Kit – Service	1

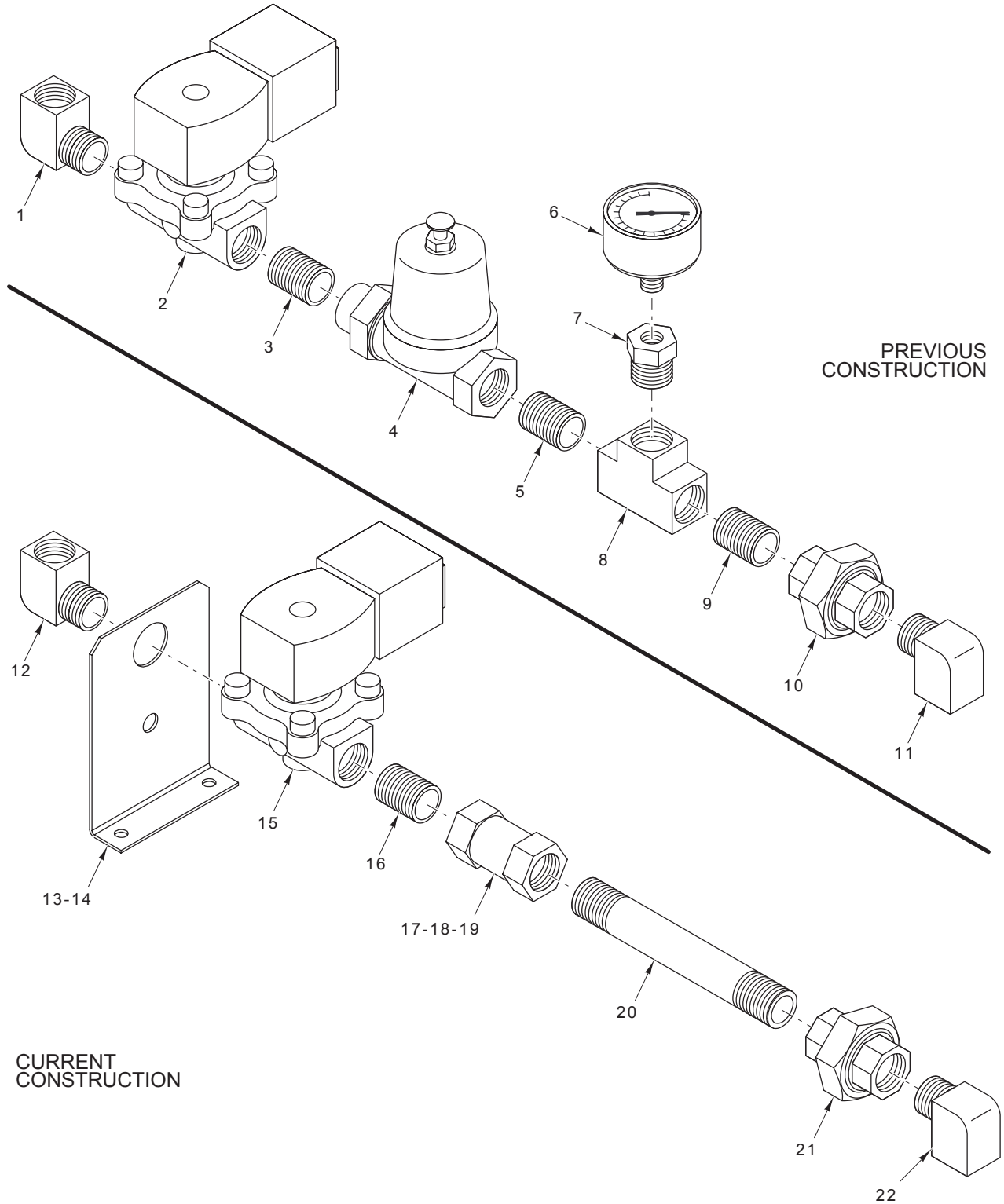


GAS BURNER AND HEAT CIRCULATION (ML-132280)

GAS BURNER AND HEAT CIRCULATION (ML-132280)

ILLUS. PL-57990	PART NO.	NAME OF PART	AMT.
1	01-1M5001-00001	Kit – Double Tubs (No Collector)	1
2	01-100V16-00559	Gasket – Heat Exchanger.....	4
3	01-100V16-00530	Gasket – Heat Exchanger.....	4
4	01-100V21-00065	Tape – Fiberglass	AR
5	00-542133	Sealer	AR
6	01-1M5028-00002	Tube Assy. – Weldment (6-Tube).....	2
7	01-1M5028-00001	Tube Assy. – Weldment (5-Tube).....	2
8	01-1M5046-00001	Angle Rack – Burner.....	1
9	01-1M5045-00001	Plate – Firing (Burner Rack)	2
10	01-1M5045-00002	Plate – Firing (Burner Rack)	2
11	01-1000V9-00149	Ignitor – Hot Surface.....	1
12	01-1M5043-00001	Plate – Side (Burner Rack)	1
13	01-1000V9-00169	Rod – Flame Sensor	1
14	01-1M5594-00001	Mount – Burner (3).....	2
15	01-1000V9-00146	Burner – In-Shot (Crossover).....	22
16	01-1M5061-00001	Enclosure – Burner Rack.....	1
17	01-1000V9-00150	Switch – Flame Roll-Out (350 F.).....	1
18	01-100V16-0556A	Manifold Assy. (NAT).....	1
19	01-1000V9-00171	Orifice #49 (0.073 In.) (NAT).....	1
20	01-100V16-0556B	Manifold Assy. (LP).....	1
	01-1M5047-00001	Plate Assy. – Burner (Incls. Items 11 thru 15).....	1
	01-1M5200-00001	Plate – Burner Spacer	1
	01-1M5016-00001	Strip – Turbulator (Heat Exchanger).....	1
*	01-1M5002-00001	Collector – Weldment (Machines Built Before 1/01/08).....	1
*	01-1M5002-00002	Collector – Weldment (Machines Built Before 1/01/08).....	1
	01-1M6035-00002	Collector – Weldment (Machines Built On or After 1/01/08)	1

*Machines built before 1/01/08 must order both items.



CURRENT
CONSTRUCTION

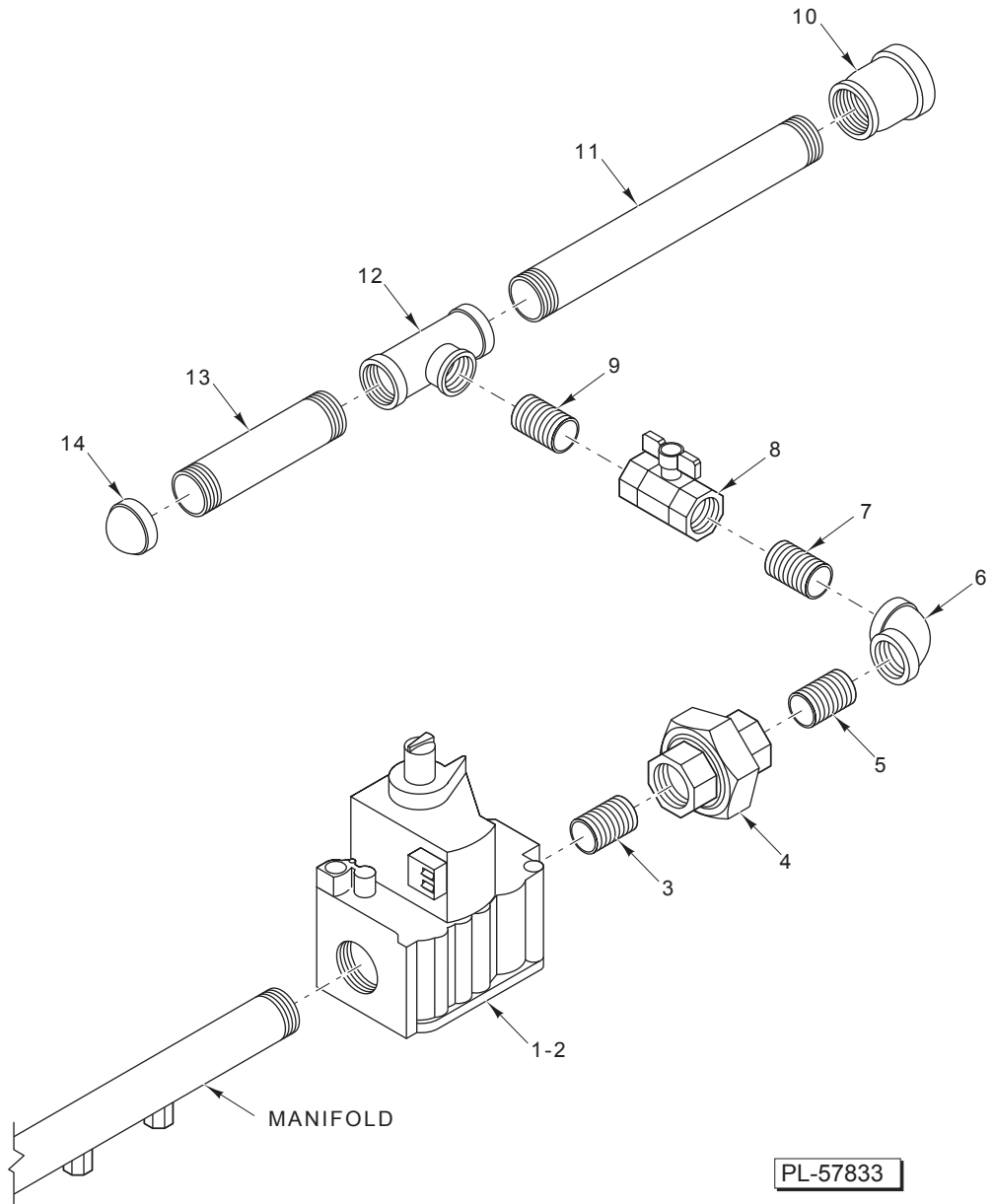
PREVIOUS
CONSTRUCTION

PL-57832

EXTERIOR WATER SUPPLY

EXTERIOR WATER SUPPLY

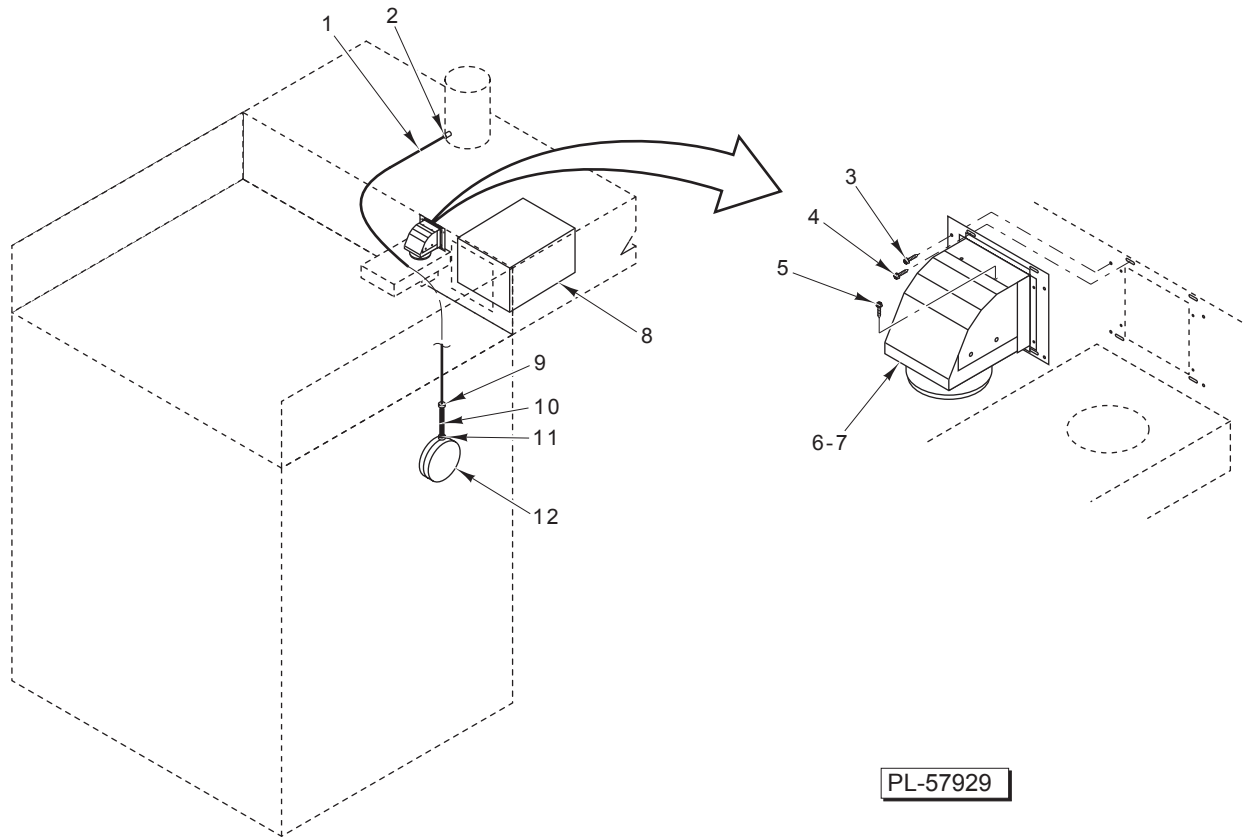
ILLUS. PL-57832	PART NO.	NAME OF PART	AMT.
1	01-100V17-00322	Ell 1/2 Street (Brass)	1
2	01-100V17-00274	Valve – Solenoid – Water (2-Way) (120 V.).....	1
3	01-100V17-00288	Nipple 1/2 Dia. Close (Brass)	1
4	01-100V17-00330	Regulator – Water Pressure 1/2 NPTF (10-70 PSI)	1
5	01-100V17-00288	Nipple 1/2 Dia. Close (Brass).....	1
6	01-100V17-00204	Gauge – Pressure (100 PSI)	1
7	01-100V17-00229	Bushing 1/2 NPT x 1/4 NPT (Brass).....	1
8	01-100V17-00312	Tee 1/2 NPT (Brass).....	1
9	01-100V17-00288	Nipple 1/2 Dia. Close (Brass).....	1
10	01-100V17-00286	Union 1/2 Dia. NPT (Brass).....	1
11	01-100V17-00322	Ell 1/2 Street (Brass)	1
12	01-100V17-00322	Ell 1/2 Street (Brass)	1
13	01-1M5818-00102	Bracket – Water Supply Support (Single Rack).....	1
14	01-1M5818-00101	Bracket – Water Supply Support (Double Rack).....	1
15	01-100V17-00274	Valve – Solenoid – Water (2-Way) (120 V.).....	1
16	01-100V17-00288	Nipple 1/2 Dia. Close (Brass)	1
17	01-100V17-00567	Regulator – Flow 1/2 NPTF (2 G.P.M.).....	1
18	01-100V17-00568	Regulator – Flow 1/2 NPTF (3 G.P.M.).....	1
19	01-100V17-00569	Regulator – Flow 1/2 NPTF (5 G.P.M.).....	1
20	01-100V17-00570	Nipple 1/2 In. Dia. x 6 In. (Brass).....	1
21	01-100V17-00286	Union 1/2 Dia. NPT (Brass).....	1
22	01-100V17-00322	Ell 1/2 Street (Brass)	1
	01-1M5818-00001	Water Supply (2 G.P.M.) (Single Rack Ovens)	1
	01-1M5818-00002	Water Supply (3 G.P.M.) (Double Rack Ovens).....	1
	01-1M5818-00003	Water Supply (5 G.P.M.) (Panera Ovens).....	1



GAS SUPPLY PLUMBING

GAS SUPPLY PLUMBING

ILLUS.	PART NO.	NAME OF PART	AMT.
PL-57833			
1	01-1000V9-00181	Valve – Gas.....	1
2	01-100V17-00429	Bushing – Reducer (3/4 to 1/2).....	1
3	01-100V17-00446	Pipe – Close 3/4 NPT.....	1
4	01-100V17-00470	Union 3/4 NPT BLK #150.....	1
5	01-100V17-00446	Pipe – Close 3/4 NPT.....	1
6	01-100V17-00513	Elbow 90 Deg. 3/4 Rd.....	1
7	01-100V17-00446	Pipe – Close 3/4 NPT.....	1
8	01-100V17-00169	Valve – Gas Cock 3/4 NPT.....	1
9	01-100V17-00446	Pipe – Close 3/4 NPT.....	1
10	01-100V17-00467	Bell Reducer 1 1/4 x 3/4 In. (NAT).....	1
11	01-10A982-02300	Pipe 3/4 In. Dia.....	1
12	01-100V17-00451	Tee 3/4 NPT x 3/4 NPT.....	1
13	01-10A982-00400	Pipe 3/4 Dia. X 4 In. Lg.....	1
14	01-100V17-00472	Cap – Pipe 3/4.....	1
	01-1000V9-00127	Valve Kit – LP Conversion.....	1
	01-1M5506-00001	Gas Supply (NAT).....	1
	01-1M5505-00002	Gas Supply (LP).....	1



VENTING

VENTING

ILLUS. PL-57929	PART NO.	NAME OF PART	AMT.
1	01-100V17-00004	Tube – 1/4 In. O.D (Alum.) 10 Ft.	1
2	FP-078-49	Fitting – Tube (1/4 In.) (Brass).....	1
3	-	Screw.....	4
4	-	Screw.....	3
5	-	Screw.....	2
6	01-1M5695-00002	Outlet – Exhaust Weldment.....	1
7	01-1M5695-00001	Outlet – Exhaust Assy.....	1
8	01-1M5172-00001	Baffle Weldment – Exhaust.....	1
9	01-1000V1-00018	Clamp – Hose 1/4 I.D. x 7/16 O.D.	1
10	01-1A1023-00425	Tube – Black (Neoprene).....	1
11	01-1000V1-00018	Clamp – Hose 1/4 I.D. x 7/16 O.D.	1
12	01-1M2824-00001	Switch – Pressure.....	1
	01-1000V9-00172	Elbow (7 In., 26 Ga.) (90 Deg.).....	1
	01-1M5507-00001	Hood Connection Weldment.....	1
	01-1M5696-00002	Kit – Exhaust Outlet (ML-132280).....	1
	01-1M5170-00001	Cover – Insulation Clamp (ML-132280).....	1
	01-1M5164-00001	Hood – Connection Weldment (ML-132280).....	1

