



CATALOG OF REPLACEMENT PARTS

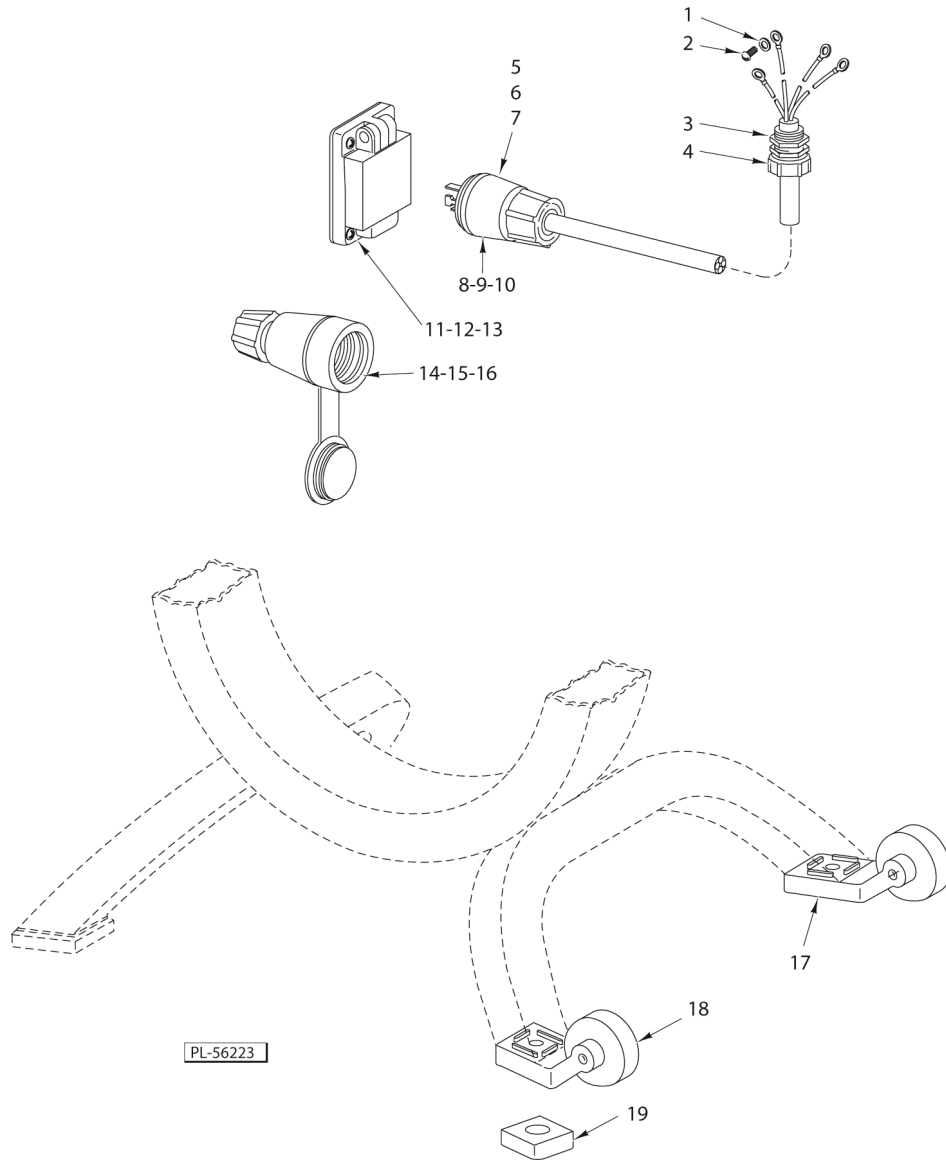
HCM300 & HCM450 CUTTER/ MIXERS



HCM 300	ML 32312
HCM 450	ML 32313
HCM 450C	ML 134071

Table of Contents

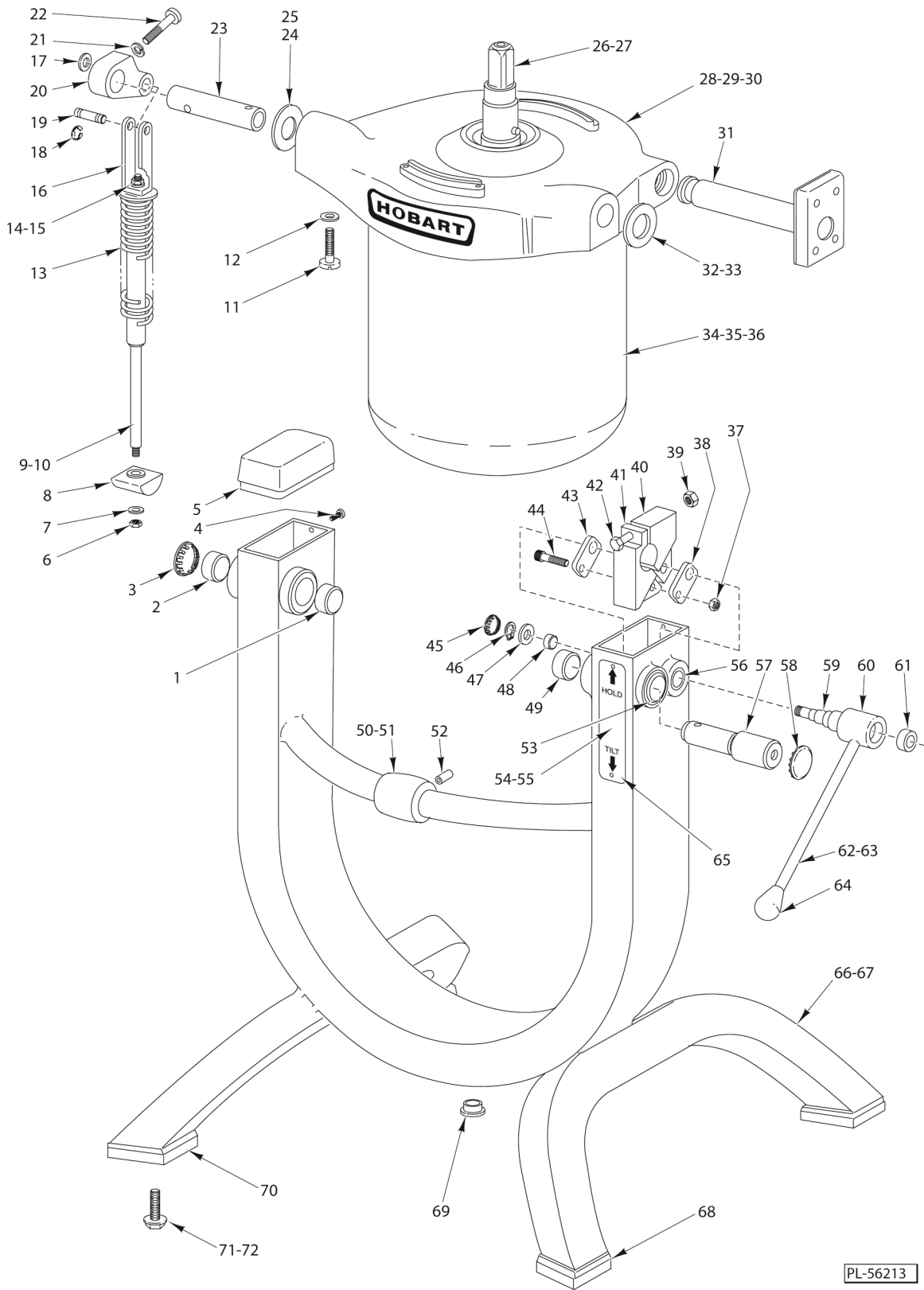
5	MISCELLANEOUS
7	MOTOR AND FRAME UNIT
11	KNIFE UNIT
13	BOWL LID UNIT FOR HCM 300 (ML-32312)
15	BOWL LID UNIT FOR HCM 450 & HCM 450C (ML-32313 & ML-134071)
17	CONTROL BOX UNIT
19	BRAKE AND BOWL UNIT
21	HANDLE LOCK UNIT
23	MOTOR PARTS



MISCELLANEOUS

MISCELLANEOUS

ILLUS.	PART NO.	NAME OF PART	AMT.
PL-56223			
1	WL-007-07	Lockwasher #8 External Shakeproof.....	1
2	SC-009-56	Mach. Screw 8-32 x 3/8 Slotted Rd. Hd.....	1
3	FE-007-12	Lock Nut 3/4 Cnd.....	1
4	FE-014-14	NLA - Obsolete--Strain Relief.....	1
5	00-124586	Plug & Cover (200 V.).....	1
6	00-117611-00009	Plug - 3 Phase (460 V.).....	1
7	00-117611-00008	Plug - 3 Phase (230 V.).....	1
8	00-117612-00008	Cord & Plug Assy. (230 V.).....	1
9	00-117612-00009	Cord & Plug Assy. (460 V.) (Incls. Item 6).....	1
10	00-122292-00001	Cord & Plug Assy. (200 V.) (Incls. Item 5).....	1
11	00-117631-00001	Receptacle (230 V.).....	1
12	00-117631-00002	Receptacle (460 V.).....	1
13	00-123816-00001	Receptacle & Cover Assy. (200 V.).....	1
14	00-117625-00001	Connector (230 V.).....	1
15	00-117625-00002	Connector (460 V.).....	1
16	00-123805-00001	NLA - Obsolete--Connector & Cover Assy. (200 V.).....	1
17	00-123658-00002	Caster Assy. (Right).....	1
18	00-123658-00001	Caster Assy. (Left).....	1
19	00-123813	Pad - Caster.....	2
	00-123659	Caster Set (Incls. Items 17, 18, & 19).....	1



MOTOR AND FRAME UNIT

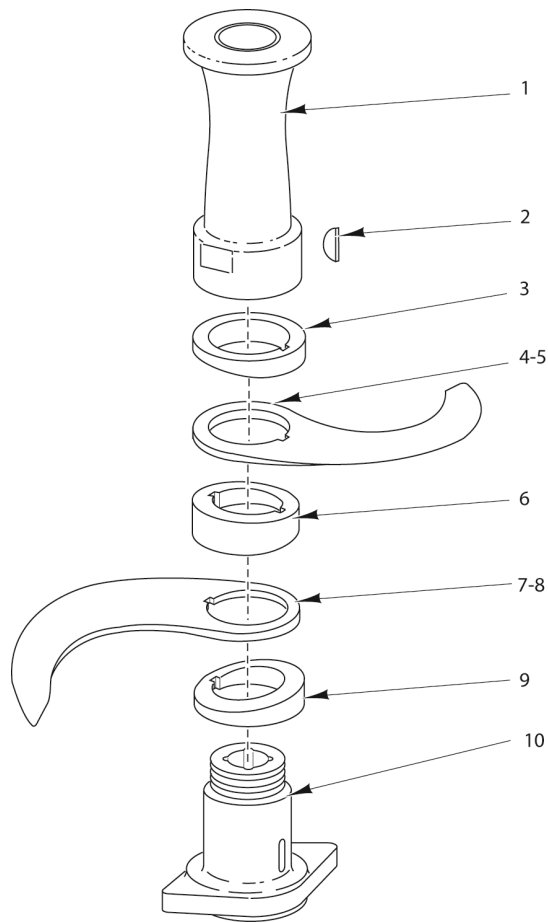
MOTOR AND FRAME UNIT

ILLUS.	PART NO.	NAME OF PART	AMT.
PL-56213			
1	00-108394-00041	Sleeve Bearing (1.25 In. O.D.).....	1
2	00-108394-00041	Sleeve Bearing (1.25 In. O.D.).....	1
3	PB-004-04	Plug - Button (1 1/4).....	1
4	00-123109	Screw - Serrated Head 6-32 x 3/8.....	4
5	00-122167	Cap - Tube.....	2
6	NS-031-20	Stop Nut 1/4-20 Elastic.....	1
7	WS-003-49	Washer 0.266 x 0.563 x 0.062 (SST).....	1
8	00-122185	Pivot Pad & Bearing Assy.....	1
9	00-122178	Counter Balance Assy. (Incls. Items 6, 7, 8, 10, 13, 14, 15, & 16).....	1
10	00-122183	Rod - Spring Guide.....	1
11	SC-092-62	Cap Screw 3/8-16 x 1-1/2 Socket Fil. Hd.....	2
12	WL-004-06	Lockwasher 3/8 Helical.....	2
13	00-122184-00001	Spring - Compression.....	1
14	NS-031-20	Stop Nut 1/4-20 Elastic.....	1
15	WS-003-49	Washer 0.266 x 0.563 x 0.062 (SST).....	1
16	00-122179	Yoke & Spring Guide Assy.....	1
17	WS-024-01	Washer.....	1
18	RR-004-25	Retaining Ring.....	2
19	00-122189	Shaft - Yoke.....	1
20	00-122187	Crank & Bearing Assy.....	1
21	WL-004-06	Lockwasher 3/8 Helical.....	1
22	SC-110-08	Cap Screw 3/8-16 x 1-3/4 Hex Socket Hd.....	1
23	00-122177	Shaft - Left Pivot.....	1
24	00-124740-00001	Spacer - Frame.....	1
25	00-124740-00002	Spacer - Frame.....	AR
26	00-122496-00003	Motor Assy. (200/400 V.) (Incls. Items 28, 29, & 30).....	1
27	00-122496-00004	Motor Assy. (230/460 V.) (Incls. Items 28, 29, & 30).....	1
28	00-122370	Bearing Bracket & Logo Assy.....	1
29	00-117858-00002	Logo.....	2
30	00-121676-00001	Rivet.....	4
31	00-122199	Tube & Plate Assy.....	1
32	00-124740-00001	Spacer - Frame.....	1
33	00-124740-00002	Spacer - Frame.....	AR
34	00-122175-00001	Motor Cover Assy.....	1
35	SC-021-91	Mach. Screw 8-32 x 5/16 Slotted Rd. Hd. (SST).....	3
36	SC-121-92	Mach. Screw 8-32 x 3/8 Hex Button Hd. (SST) (ML-134071).....	3
37	NS-013-14	Nut 5/16 Hex Fin.....	1
38	00-122299	Front Link & Bushing Assy.....	1
39	NS-032-18	Stop Nut 3/8-16 Flexloc.....	1
40	00-123560	Clamp Assy. (Right).....	1
41	00-122297	Clamp Assy. (Left).....	1
42	SC-036-66	Cap Screw 3/8-16 x 3 Hex Hd.....	1
43	00-122298	Back Link & Bushing Assy.....	1
44	00-122269	Screw - Socket Shoulder.....	1
45	PB-004-02	Plug Button (15/16).....	1
46	RR-004-05	Retaining Ring.....	1
47	WS-029-19	Washer.....	1
48	00-108394-00037	Sleeve Bearing (0.628 In. O.D.).....	1
49	00-108394-00041	Sleeve Bearing (1.25 In. O.D.).....	1
50	00-122166	Bumper - Stop (HCM300) (Not Shown).....	1
51	00-122161	Bumper - Stop (HCM450).....	1
52	RP-006-01	Rollpin 3/8 Dia. x 3/4 Lg.....	1
53	00-108394-00043	Sleeve Bearing (1.502 In. O.D.).....	1
54	00-123610	Label - Hold/Tilt.....	1
55	00-124938	Label - Hold/Tilt.....	1

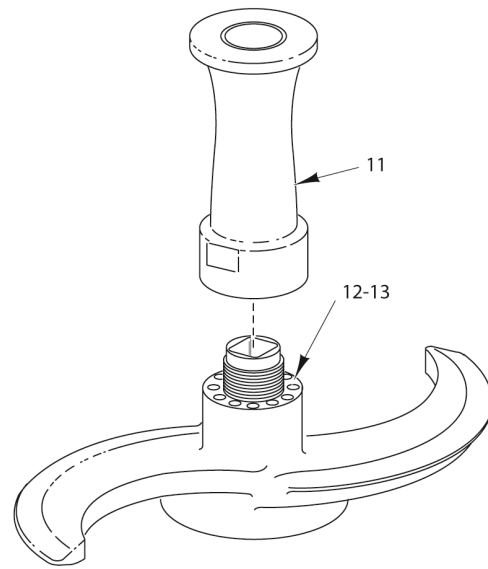
MOTOR AND FRAME UNIT

ILLUS.	PART NO.	NAME OF PART	AMT.
PL-56213			
56	00-108394-00045	Sleeve Bearing (0.878 In. O.D.).....	1
57	00-122176	Shaft - Right Pivot.....	1
58	PB-004-05	Plug Button (1 1/2).....	1
59	00-122195	Shaft - Lock.....	1
60	00-122196	Collar - Shaft.....	1
61	00-123812	Magnet - Ring.....	1
62	00-122197	Handle - Lock.....	1
63	00-477100	Tilt Handle Weldment (ML-134071) (Not Shown).....	1
64	00-123173	Knob.....	1
65	00-121676-00001	Screw.....	2
66	00-122151-00001	Frame Assy. (Incls. Items 1, 2, 48, 49, 52, 53, 54, 56, 65, & 69).....	1
67	00-122151-00002	Frame Assy. 50 Hz. (Incls. Items 1, 2, 48, 49, 52, 53, 55, 56, 65, & 69).....	1
68	00-122164	Foot (#1).....	2
69	00-123772	Plug - Vent.....	1
70	00-122165	Foot (#2).....	2
71	WS-021-09	Washer.....	4
72	SC-117-97	Cap Screw 1/2-13 x 1 Hex Hd.....	4
	00-124361	Feet Set.....	1
	00-122198	Tilt Lock Handle Assy. (Incls. Items 60 thru 63 & 65).....	1

NOTES



CUT/MIX



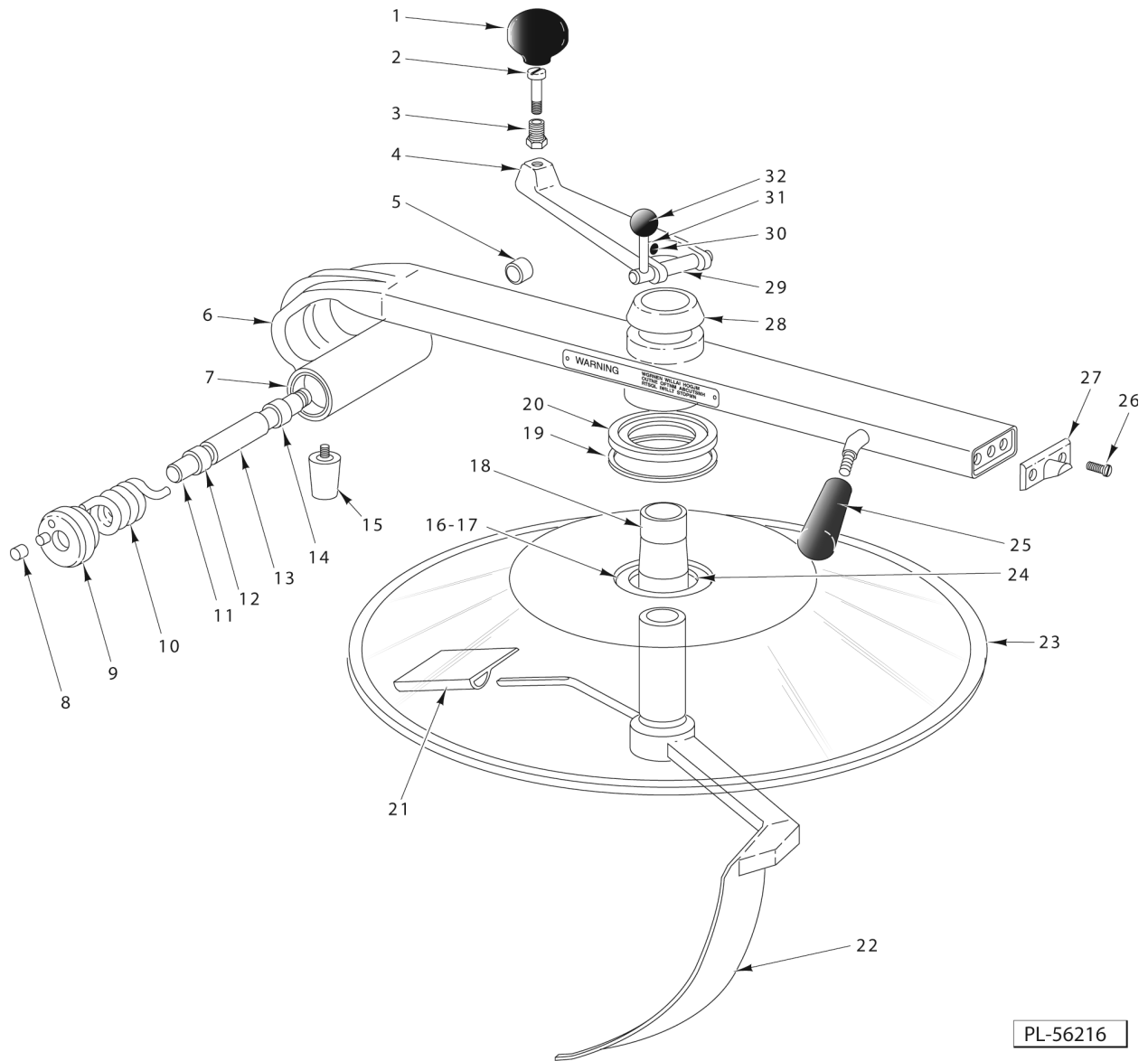
KNEAD/MIX

PL-56215

KNIFE UNIT

KNIFE UNIT

ILLUS.	PART NO.	NAME OF PART	AMT.
PL-56215			
1	00-291957	Sleeve - Blade Locking.....	1
2	KW-004-01	Key #1008 Woodruff.....	2
3	00-122290	Block - Single Angle.....	1
4	00-274661	Knife (HCM300).....	1
5	00-274662	Knife (HCM450).....	1
6	00-122291	Block - Double Angle.....	1
7	00-274661	Knife (HCM300).....	1
8	00-274662	Knife (HCM450).....	1
9	00-122290	Block - Single Angle.....	1
10	00-124265	Hub - Square Drive.....	1
11	00-291957	Sleeve - Blade Locking.....	1
12	00-124647-00001	Blade/Hub - Knead/Mix.....	1
13	00-124647-00002	Blade/Hub - Knead/Mix (HCM300 & 450).....	1
	00-292035-00002	Cut/Mix Shaft Assy. (HCM300) (Incls. Items 1, 2, 3, 4, 6, 7, 9, & 10).....	1
	00-292035-00001	Cut/Mix Shaft Assy. (HCM450) (Incls. Items 1, 2, 3, 5, 6, 8, 9, & 10).....	1
	00-292028	Knead/Mix Blade & Sleeve Assy. (Standard) (HCM300 & 450) (Incls. Items 11 & 13)	1
	00-292029	Knead/Mix Blade & Sleeve Assy. (HCM450) (Incls Items 11 & 12).....	1

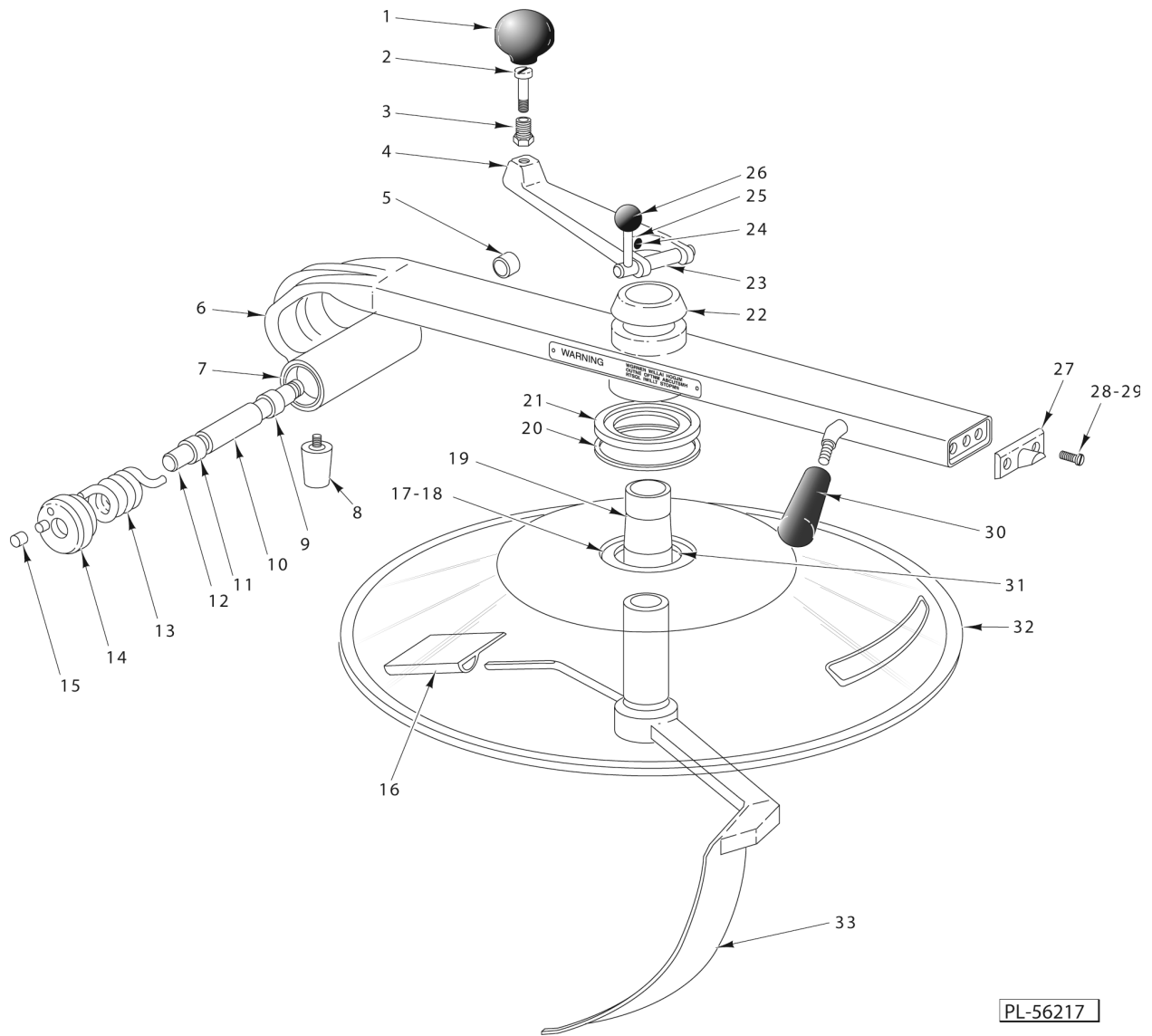


PL-56216

BOWL LID UNIT FOR HCM 300 (ML-32312)

BOWL LID UNIT FOR HCM 300 (ML-32312)

ILLUS. PL-56216	PART NO.	NAME OF PART	AMT.
1	00-123174	Knob.....	1
2	00-124356	Stud - Handle.....	1
3	00-124469	Insert - Handle.....	1
4	00-123574	Handle Assy. (Incls. Items 1, 2, 3, & 29 thru 32).....	1
5	00-110544-00007	Bushing (0.718 In. O.D.).....	1
6	00-290702-00002	NLA - Obsolete--Lid Handle Assy. (Incls. Items 5 & 7).....	1
7	00-110544-00008	Bushing (1.656 In. O.D.).....	1
8	00-290921	Bushing - Lid Spring.....	1
9	00-123666	Spring Cap Assy.....	1
10	00-122267	Spring - Torsion.....	1
11	00-122265	Shaft - Spring Pivot.....	1
12	00-108394-00044	Sleeve Bearing (0.878 In. O.D.).....	1
13	00-122310	Sleeve.....	1
14	00-108394-00044	Sleeve Bearing (0.878 In. O.D.).....	1
15	00-122264	Bumper - Lid.....	1
16	00-290695	Ring - Lid Support (Lower).....	1
17	00-291370	Gasket - Support Ring.....	1
18	00-124841	Bearing - Baffle.....	1
19	00-291370	Gasket - Support Ring.....	1
20	00-290696	Ring - Lid Support (Upper).....	1
21	00-122209-00002	Scraper.....	1
22	00-123757	Baffle Bar & Blade Assy.....	1
23	00-290684	30 QT Lid (18 In. Dia.) (NLA - Obsolete. Order Lid Kit P/N 271914).....	1
24	SC-022-68	Mach. Screw 10-32 x 5/8 Slotted Flat Hd. (SST).....	3
25	00-123172	Handle.....	1
26	SC-119-58	Mach. Screw 1/4-20 x 1/2 Slotted Pan Hd. (SST).....	2
27	00-290604	Plate - Lock.....	1
28	00-122587	Bushing - Cap.....	1
29	00-122315	Pin - Baffle Lock.....	1
30	SC-118-52	Set Screw 1/4-20 x 1/2 Slotted Hdl., Cup Pt. Long-Loc.....	1
31	00-122586	Handle - Baffle Lock.....	1
32	00-077401	Knob.....	1



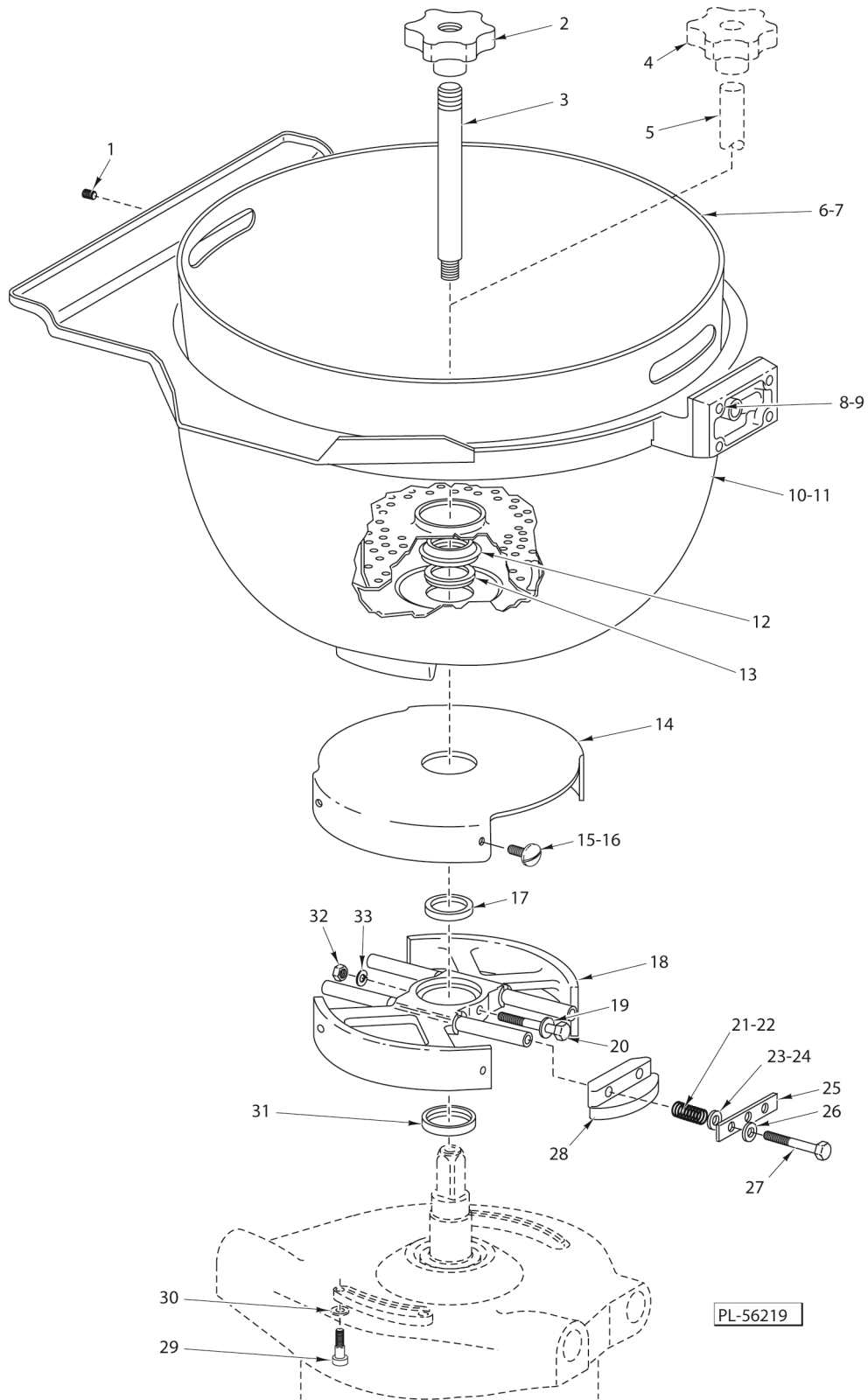
**BOWL LID UNIT FOR HCM 450 & HCM 450C
(ML-32313 & ML-134071)**

**BOWL LID UNIT FOR HCM 450 & HCM 450C
(ML-32313 & ML-134071)**

ILLUS.	PART NO.	NAME OF PART	AMT.
PL-56217			
1	00-123174	Knob.....	1
2	00-124356	Stud - Handle.....	1
3	00-124469	Insert - Handle.....	1
4	00-123574	Baffle Handle Assy.....	1
5	00-110544-00007	Bushing (0.718 In. O.D.).....	1
6	00-290702-00001	Lid Handle Assy. (Incls. Items 5 & 7).....	1
7	00-110544-00008	Bushing (1.656 In. O.D.).....	1
8	00-122264	Bumper - Lid.....	1
9	00-108394-00044	Sleeve Bearing (0.878 In. O.D.).....	1
10	00-122310	Sleeve.....	1
11	00-108394-00044	Sleeve Bearing (0.878 In. O.D.).....	1
12	00-122265	Shaft - Spring Pivot.....	1
13	00-122267	Spring - Torsion.....	1
14	00-123666	Spring - Cap Assy.....	1
15	00-290921	Bushing - Lid Spring.....	1
16	00-122209-00001	Scraper.....	1
17	00-290695	Ring - Lid Support (Lower).....	1
18	00-291370	Gasket - Support Ring.....	1
19	00-124841	Bearing - Baffle.....	1
20	00-291370	Gasket - Support Ring.....	1
21	00-290696	Ring - Lid Support (Upper).....	1
22	00-122587	Bushing - Cap.....	1
23	00-122315	Pin - Baffle Lock.....	1
24	SC-118-52	Set Screw 1/4-20 x 1/2 Hdls., Cup Pt. Long-Loc.....	1
25	00-122586	Handle - Baffle Lock.....	1
26	00-077401	Knob.....	1
27	00-290604	Plate - Lock.....	1
28	SC-119-58	Mach. Screw 1/4-20 x 1/2 Slotted Pan Hd. (SST).....	2
29	SC-122-52	Mach. Screw 1/4-20 x 3/8 Hex Button Hd. (ML-134071).....	2
30	00-123172	Handle.....	1
31	SC-022-68	Mach. Screw 10-32 x 5/8 Slotted Flat Hd. (SST).....	3
32	00-290685	45 QT Lid (No Longer Available - Order Lid Kit P/N 292797.).....	1
33	00-292808	Baffle Bar & Blade Assy.....	1
	00-438131-00100	Label - Warning (Rotating Knives).....	1

CONTROL BOX UNIT

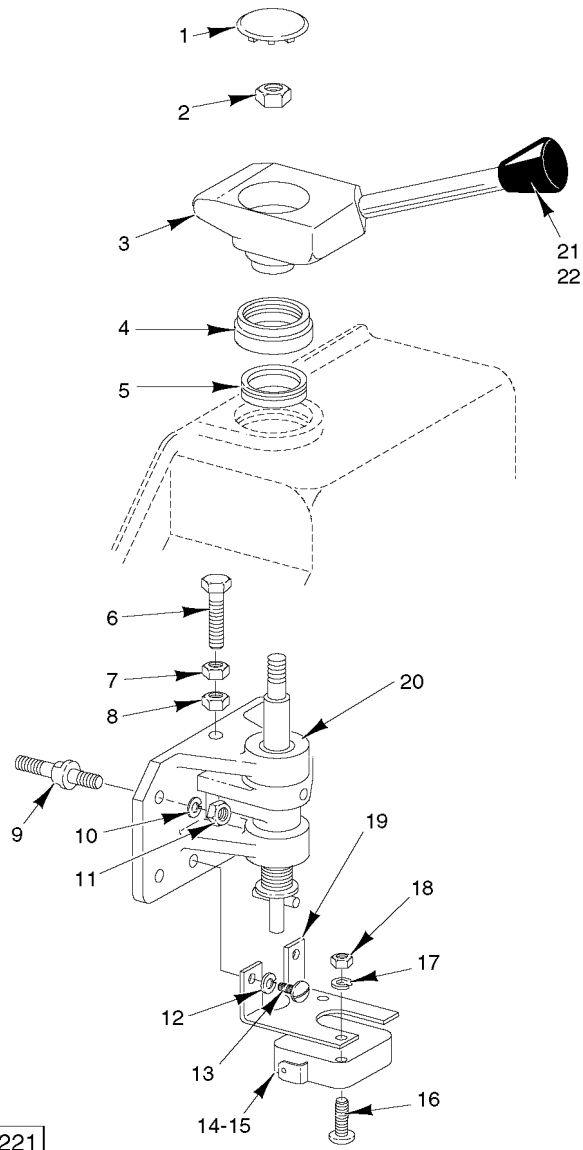
ILLUS.	PART NO.	NAME OF PART	AMT.
PL-56218			
1	00-290645	NLA - Obsolete--Control Box & Label Assy.....	1
2	00-278328	Motor Protection Board Assy.....	1
3	SD-013-07	Self-Tapping Screw 6-20 x 5/16 Phil. Pan Hd., Type BT.....	4
4	00-121014	Board - Terminal.....	1
5	SD-033-05	Self-Tapping Screw 10-16 x 1/2 Slotted Rd. Hd., Type BT.....	2
6	SD-013-07	Self-Tapping Screw 6-20 x 5/16 Phil. Pan Hd., Type BT.....	2
7	WS-028-01	Washer.....	2
8	00-122218	Reed Mounting Board Assy.....	1
9	SC-008-09	Mach. Screw 10-24 x 3/8 Slotted Rd. Hd.....	1
10	WL-007-12	Lockwasher #10 External Shakeproof.....	1
11	00-123648-00006	Lead Wire Assy. (Ground).....	1
12	00-117034-00007	Power Input Board Assy.....	1
13	SC-008-09	Mach. Screw 10-24 x 3/8 Slotted Rd. Hd.....	3
14	WL-007-12	Lockwasher #10 External Shakeproof.....	1
15	FE-022-63	Fuse (3 Amp., 32 V.).....	1
16	FE-024-16	Fuse - Time Delay (500 V., 0.5 Amp.) (Fiber).....	2
17	SC-008-09	Mach. Screw 10-24 x 3/8 Slotted Rd., Hd.....	2
18	WL-007-12	Lockwasher #10 External Shakeproof.....	1
19	00-121926-00002	Contactor.....	1
20	00-124042	Control Mounting Bracket Assy.....	1
21	SD-033-04	Self-Tapping Screw 10-16 x 3/8 Phil. Rd. Hd., Type BT.....	6
22	SC-037-85	Cap Screw 5/16-18 x 1 Hex Hd.....	4
23	WL-003-47	Lockwasher 5/16 Helical.....	4
24	00-118234-00005	Cable (5.625 In. Lg.).....	1
25	00-118233	Ferrule (Double).....	2
26	00-078752-00003	Clamp.....	1
27	00-122268	Bracket - Cable.....	1
28	SC-009-69	Mach. Screw 6-32 x 1/2 Slotted Rd. Hd.....	1
29	NS-009-07	Nut 6-32 Hex.....	1
30	WS-029-20	Washer (Rubber).....	8
31	00-067500-00038	O-Ring.....	8
32	00-290354	Insulated Screw Assy. (1 3/4 In. Lg.).....	5
33	00-290353	Insulated Screw Assy. (4 1/2 In. Lg.).....	3
34	00-292612	Gasket - Control Box Lid.....	1
35	00-124692	NLA - Obsolete--Timer W/Bell (6 Min. Timer).....	1
36	00-294650-004-9	Timer (5 Min. Elec. Timer).....	1
37	00-292350	Plate - Indicator.....	1
38	SC-025-18	Mach. Screw 5-40 x 1/2 Slotted Bndg. Hd. (SST).....	2
39	00-292349-00001	Timer Knob (5 Min. Timer).....	1
40	00-124683	Timer Knob (6 Min. Timer).....	1
41	00-123910	Control Box Lid & Logo Assy. (Non-Timed Machine) (Incls. Item 35).....	1
42	00-290046	NLA - Obsolete--Control Box Lid & Logo Assy. (Incls. Items 45, 46, & 47).....	1
43	00-292490	Control Box Lid & Logo Assy. (5 Min. Elec. Timer) (Incls. Item 35).....	1
44	00-124826	Guard - Timer Knob.....	1
45	SC-019-33	Mach. Screw 8-32 x 1/2 Slotted Bind. Hd.....	2
46	WL-007-07	Lockwasher #8 External Shakeproof.....	2
47	00-067500-00038	O-Ring.....	2
48	00-078752-00006	Clamp.....	1
49	SD-033-03	Self-Tapping Screw 6-20 x 1/2 Slotted Rd. Hd., Type BT.....	1
50	00-278318	Reed Mounting Board Assy. (Incls. Item 52).....	1
51	00-120872-00004	Switch Assy. (Stop).....	1
52	00-120872-00002	Switch Assy. (Start).....	1
53	SD-009-40	Self-Tapping Screw 6-32 x 3/4 Phil. Pan Hd., Type F.....	4
54	00-290096	Spacer - Standoff.....	4
55	SC-121-97	Mach. Screw 10-24 x 3/4 Hex Button Hd. (SST) (ML-134071).....	2
56	00-438247	NLA - Obsolete--Hasp - Weldment.....	1
57	NS-038-13	Lock Nut 10-24 (ML-134071).....	2
58	NS-038-13	Lock Nut 10-24 (ML-134071).....	2
59	SC-121-97	Mach. Screw 10-24 x 3/4 Hex Button Hd. (SST) (ML-134071).....	2
60	00-438242	Cover - Weldment (ML-134071).....	1



BRAKE AND BOWL UNIT

BRAKE AND BOWL UNIT

ILLUS. PL-56219	PART NO.	NAME OF PART	AMT.
1	SC-055-01	Set Screw 10-24 x 1/4 Hex Soc. Hdls., Cup Pt. (SST)	1
2	00-291956	Knob - Retainer (Threaded)	1
3	00-274680	Shaft - Extension (Threaded)	1
4	00-122296	Knob - Retainer (Eccentric)	1
5	00-122293	Shaft - Extension (for Eccentric Knob)	1
6	00-122271	Strainer Basket Kit (HCM300)	1
7	00-292811	Strainer Basket Kit (HCM450)	1
8	00-122281	Pin - Lid Guide	1
9	NS-018-01	Jam Nut 1/4-20 Hex	1
10	00-122237	NLA - Obsolete--Bowl Assy. (HCM300)	1
11	00-122245	Bowl Assy. (HCM450)	1
12	00-122313	Retainer - Seal	1
13	00-123920	Seal - V-Ring	1
14	00-291113	Cover - Brake	1
15	SC-109-62	Mach. Screw 10-24 x 3/8 Slotted Pan Hd. (SST)	4
16	SC-121-94	Mach. Screw 10-24 x 3/8 Hex Button Hd. (SST) (ML-134071)	4
17	00-123920	Seal - V-Ring	1
18	00-435526	Brake Carrier Assy	1
19	WL-008-22	Lockwasher 5/16 Internal Shakeproof	1
20	SC-109-75	Cap Screw 5/16-18 x 2 3/8 Hex Hd	1
21	00-123095	Spring - Compression (60 Hz. Motor Only)	4
22	00-124953	Spring - Compression (50 Hz. Motor Only)	4
23	WS-018-30	Washer - Shim (25/64 I.D. x 1/16 Thk.)	AR
24	WS-029-35	Washer - Shim 25/64 I.D. x 1/32 Thk (SST)	AR
25	00-122170	Plate - Brace	2
26	WS-002-32	Washer (13/64 I.D.)	4
27	SC-110-31	Mach. Screw 10-24 x 3/4 Hex Hd	4
28	00-436472	Brake Shoe & Lining Assy	2
29	SC-089-35	Cap Screw 3/8-16 x 1 1/4 Soc. Fil. Hd	4
30	WL-004-06	Lockwasher 3/8 Helical	4
31	00-122523	Seal - Shaft	1
32	NS-031-20	Stop Nut 1/4-20 Hex	1
33	WL-003-47	Lockwasher 5/16 Helical	1

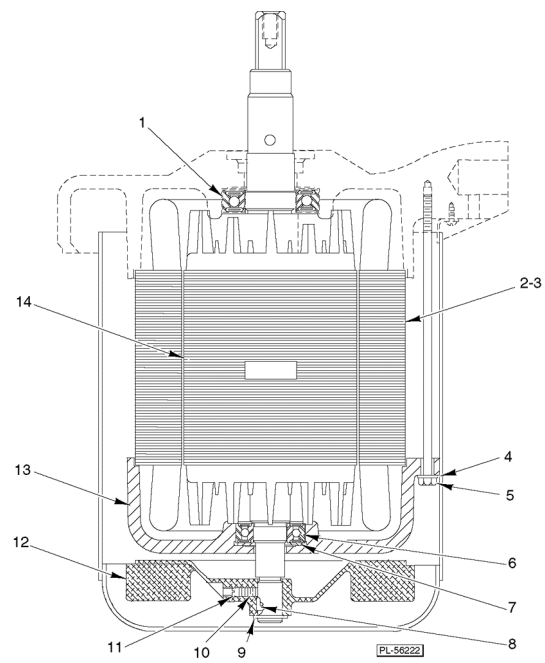


HANDLE LOCK UNIT

56221 before revision

HANDLE LOCK UNIT

ILLUS.	PART NO.	NAME OF PART	AMT.
	PL-56221OLD		
1	00-290118	Plug - Hole.....	1
2	NS-036-19	Stop Nut 5/16-18 Elastic.....	1
3	00-290595	Lock Handle Assy.....	1
4	00-123221	Insert - Cover.....	1
5	00-123074-00005	Seal - V-Ring.....	1
6	SC-097-20	Cap Screw 1/4-20 x 1 1/8 Hex Hd.....	1
7	NS-013-02	Nut 1/4-20 Hex Fin.....	1
8	NS-013-02	Nut 1/4-20 Hex Fin.....	1
9	00-290913	Stud.....	4
10	WL-003-47	Lockwasher 5/16 Helical.....	4
11	NS-013-14	Nut 5/16-18 Hex Fin.....	4
12	WL-004-40	Lockwasher 10 Helical.....	2
13	SC-008-09	Mach. Screw 10-24 x 3/8 Slotted Rd. Hd.....	2
14	00-087711-154-1	Switch - Interlock.....	1
15	00-290059	Insulator.....	1
16	SC-081-05	Mach. Screw 4-40 x 3/4 Slotted Rd. Hd.....	2
17	WL-003-03	Lockwasher #4 Helical.....	2
18	NS-009-45	Nut 4-40 Hex.....	2
19	00-124968	Bracket - Switch.....	1
20	00-290606	Lock Shaft Assy. (This Assembly is Spring Loaded. Do Not Disassemble.).....	1
21	00-123173	Knob.....	1
22	00-477102	Lock Handle Weldment.....	1



MOTOR PARTS

MOTOR PARTS

ILLUS.	PART NO.	NAME OF PART	AMT.
PL-56222			
1	BB-021-03	Ball Bearing #MRC207SZZ.....	1
2	00-065478-137-1	Stator Assy. (200 V., 60 Hz.) (5 Hp.).....	1
3	00-065478-137-2	Stator Assy. (230/460/60/3) (5 Hp.).....	1
4	WL-003-47	Lockwasher 5/16 Helical.....	3
5	00-122531-00001	Bolt - Special (5 Hp.).....	3
6	BB-021-02	Ball Bearing - Fafnir #P205KDD.....	1
7	SL-005-01	Loading Spring - N.D. #52 Wavy.....	2
8	00-012430-00052	Key 3/16 x 3/16 x 7/8.....	1
9	RR-011-03	Retaining Ring.....	1
10	SC-075-11	Set Screw 1/4-20 x 5/8 Hex Hdls., Kn. Cup Pt.....	1
11	SC-117-59	Set Screw 1/4-20 x 1/8 Soc. Hdls., Flat Pt.....	1
12	00-275183	Fan.....	1
13	00-122392	Bracket - Bearing.....	1
14	00-015747-00298	Rotor Assy. (5 Hp.).....	1

