



CATALOG OF REPLACEMENT PARTS

MODEL HCN SERIES ELECTRIC BAKE AND ROAST OVENS

Bake Ovens

| | |
|-------|----------|
| HCN50 | ML-43782 |
| HCN52 | ML-43783 |
| HCN53 | ML-43784 |

Roast Ovens

| | |
|-------|----------|
| HCN60 | ML-43785 |
| HCN62 | ML-43786 |
| HCN63 | ML-43787 |

Combination Roast & Bake Ovens

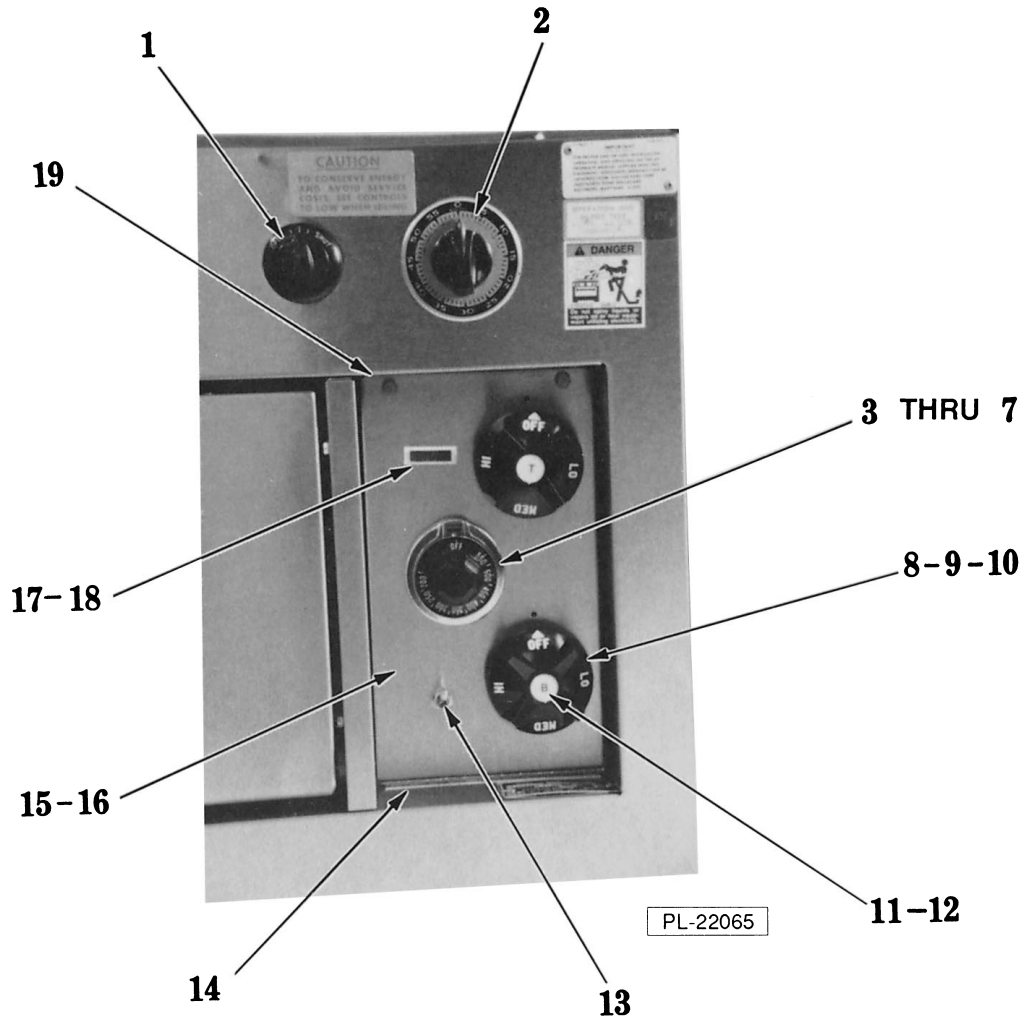
| | |
|-------|----------|
| HCN44 | ML-43788 |
| HCN45 | ML-43789 |
| HCN46 | ML-43790 |

Pizza Ovens

| | |
|-------|----------|
| HCN70 | ML-43791 |
| HCN72 | ML-43792 |
| HCN73 | ML-43793 |

TABLE OF CONTENTS

| Page | Description |
|-------------|----------------------------|
| 3 | Control Panel |
| 4 | Electrical Components |
| 5 | Door Unit |
| 6 | Door Mechanism & Lamp Unit |
| 8 | Electric Heat Elements |
| 10 | Miscellaneous |
| 12 | Damper Mechanism |

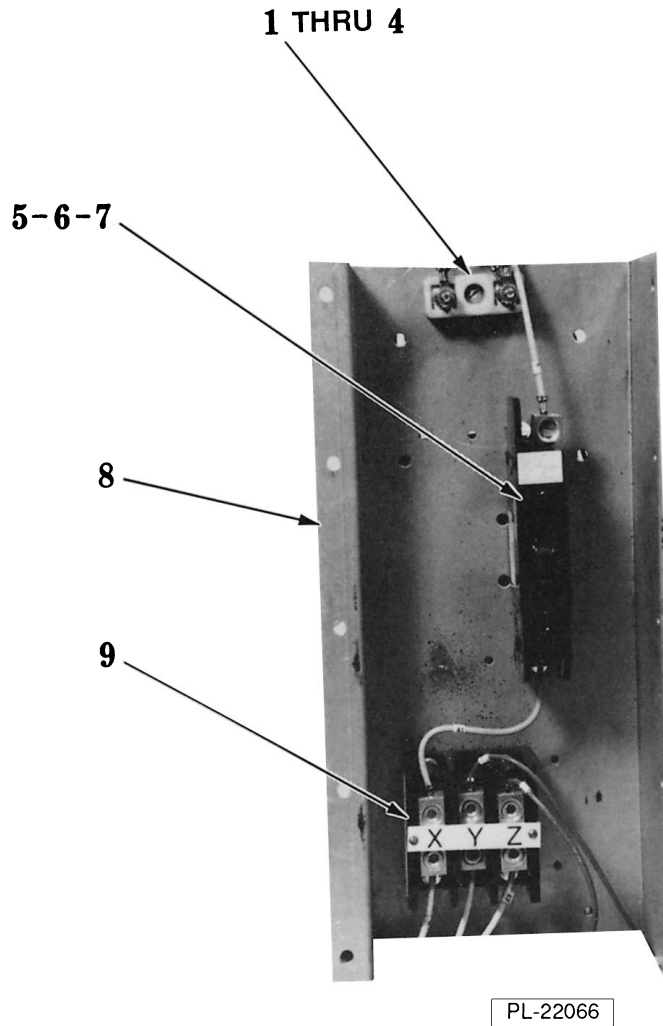


CONTROL PANEL

| ILLUS. PL-22065 | PART NO. | NAME OF PART | AMT. |
|--------------------|-------------|--|------|
| 1 | 407545-2 | Knob - Damper | 1 |
| 2 | 417811-1 | Timer - Minute Minder | 1 |
| * 3 | 415119-7 | Dial (200 - 500 Deg F) | 1 |
| ** 4 | 415119-8 | Dial (300 - 700 Deg F) | 1 |
| 5 | 415119-6 | Bezel | 1 |
| * 6 | 415119-2 | Thermostat (200 - 550 Deg F) | 1 |
| ** 7 | 415119-3 | Thermostat (300 - 700 Deg F) | 1 |
| 8 | 407727-6 | Knob - 3 Heat | 2 |
| 9 | 355798-1 | Switch - 3 Heat Selector | 2 |
| 10 | NS-47-80 | Locknut 3/8-24 Special Palnut | 2 |
| 11 | 419769-5 | Tab - I.D. (Bottom) | 1 |
| 12 | 419769-4 | Tab - I.D. (Top) | 1 |
| *13 | 417812-1 | Toggle Switch | 1 |
| 14 | 420219-1 | Support - Switch Panel | 1 |
| 15 | 420471-G1 | Panel - Switch (HCN 50 & 70 Series & Bake Oven Section in a 40 Series) | 1 |
| 16 | 420469-G1 | Panel - Switch (HCN 60 Series & Roast Oven Section in a 40 Series) | 1 |
| 17 | 417808-1 | Indicator Light Assy. (Incls.item 18) | 1 |
| 18 | 417809-1 | Light Bulb | 1 |
| 19 | 420220-20 | Bracket - Switch Panel | 1 |
| | 417876-1 | Resistor - 300 K (Use on 480 V. Machines) | 1 |

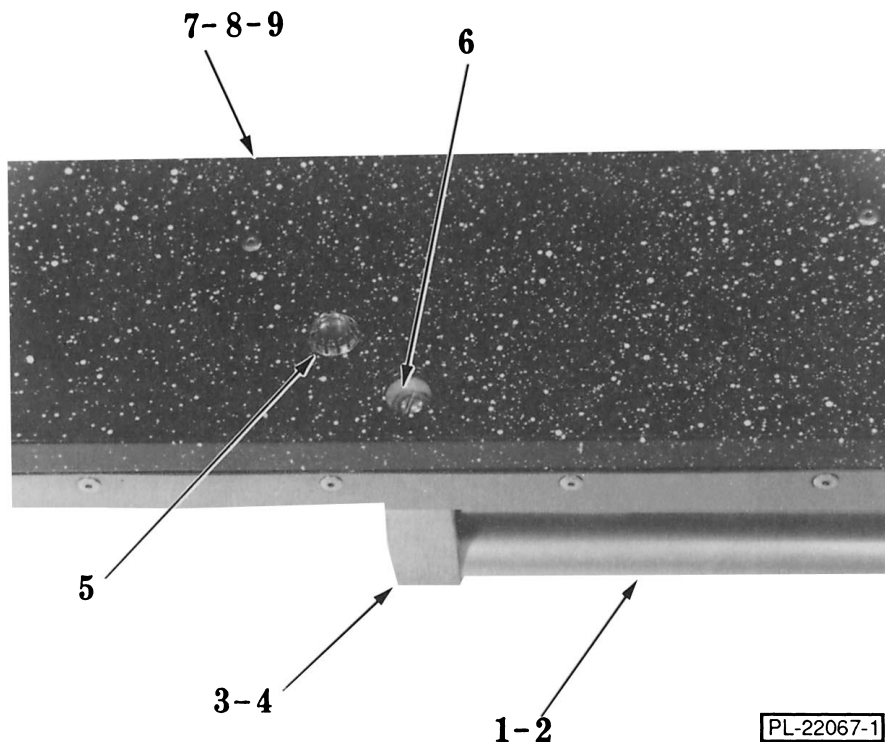
* HCN 40, 50 & 60 Series Models Only.

** HCN 70 Series Models Only.



ELECTRICAL COMPONENTS

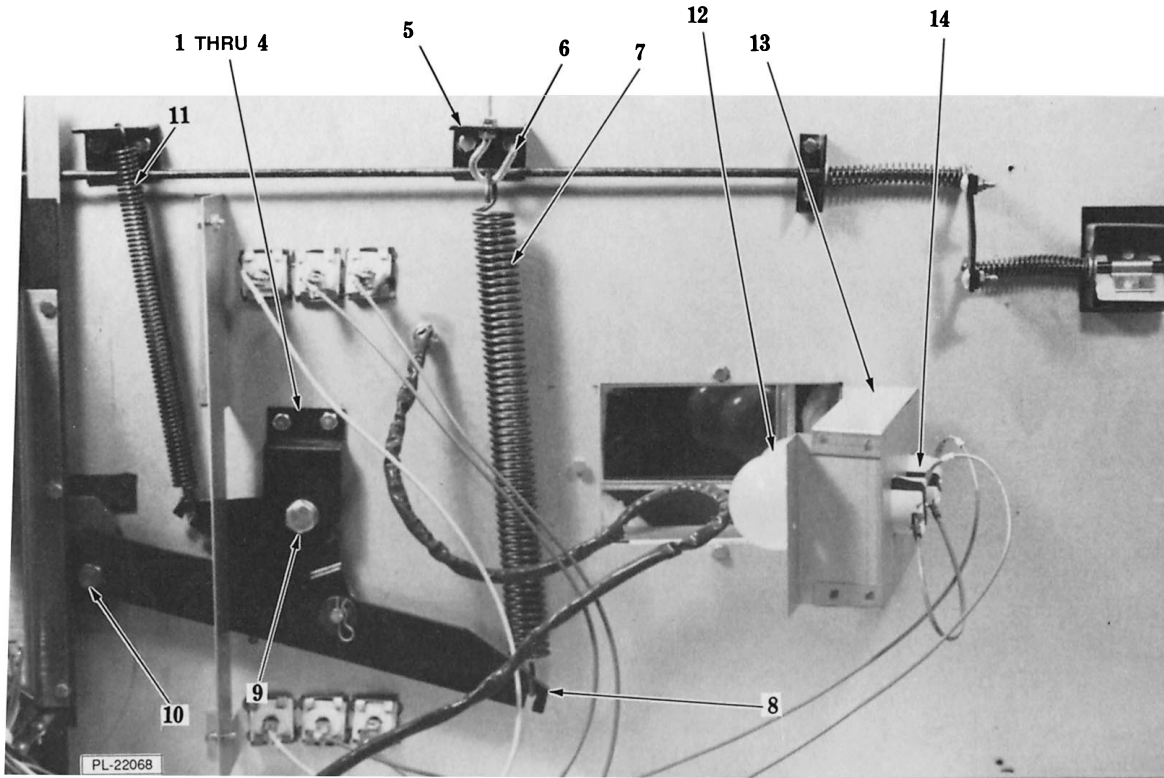
| ILLUS. PL-22066 | PART NO. | NAME OF PART | AMT. |
|--------------------|-------------|---|------|
| 1 | 417934-G1 | Block Assy. - Porcelain (Incls.items 2, 3 & 4) | 1 |
| 2 | SC-117-3 | Mach. Screw 10-24 x 1 1/4 Rd. Hd. | 2 |
| 3 | WS-23-20 | Washer | 4 |
| 4 | NS-44-9 | Nut Assy 10-24 Hex "KEPS" | 4 |
| 5 | 411501-8 | Circuit Breaker (3 Amp) (480 V. Machines) | 1 |
| 6 | 411501-13 | Circuit Breaker (15 Amp) (208 - 240 V. & 220/380 V. Machines) | AR |
| 7 | 411501-14 | Circuit Breaker (50 Amp) (208 - 240 V. & 220/380 V. Machines) | AR |
| 8 | 412042-1 | Support - Breaker | 1 |
| 9 | 410472-8 | Terminal Block | 1 |
| | 411500-7 | Transformer (480 V. Machines) | 1 |



DOOR UNIT

| ILLUS. PL-22067-1 | PART NO. | NAME OF PART | AMT. |
|----------------------|-------------|---|------|
| 1 | 419765-1 | Handle - Door | 1 |
| 2 | 419766-G1 | Insert - Door Handle | 1 |
| 3 | 419764-1 | End Cap L.H. | 1 |
| 4 | 419764-2 | End Cap R.H. | 1 |
| 5 | PB-4-73 | Plug Button | 2 |
| 6 | SC-120-22 | Mach. Screw 3/8-16 x 1 1/4 Rd. Hd. | 2 |
| * 7 | 357100-G1 | Door Assy. - Complete w/Hinges (Incls.items 1 thru 6) | 1 |
| ** 8 | 357101-G1 | Door Assy. - Complete w/Hinges (Incls.items 1 thru 6) | 1 |
| *** 9 | 357200-G1 | Door Assy. - Complete w/Hinges (Incls.items 1 thru 6) | 1 |

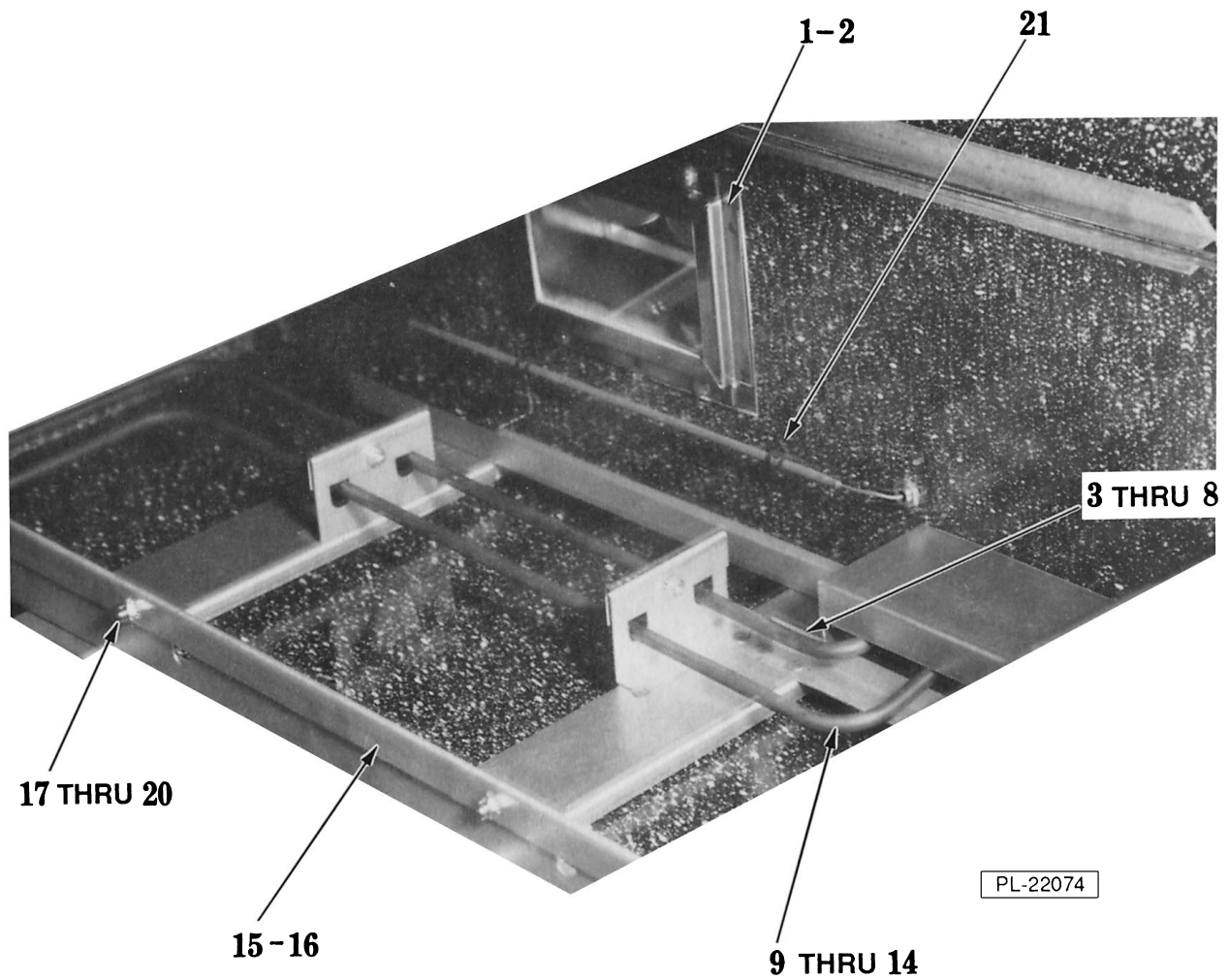
* HCN50 Series & Bake Oven Section in a 40 Series.
 ** HCN60 Series & Roast Oven Section in a 40 Series.
 *** HCN70 Pizza Ovens.



DOOR MECHANISM & LAMP UNIT

DOOR MECHANISM & LAMP UNIT

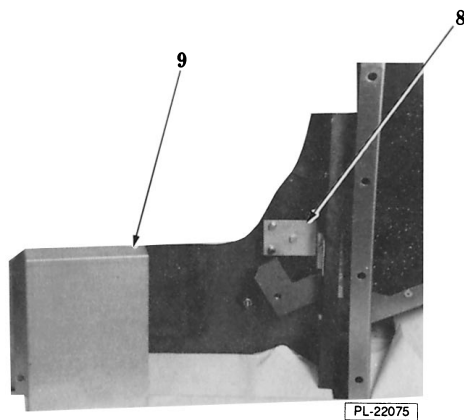
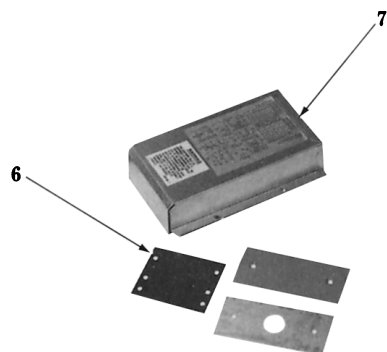
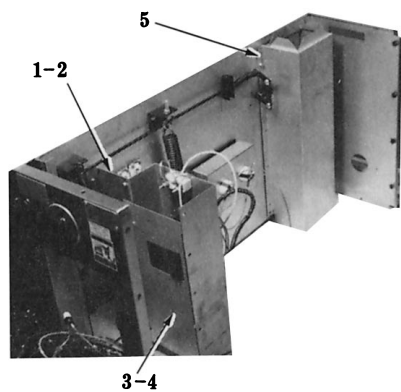
| ILLUS. PL-22068 | PART NO. | NAME OF PART | AMT. |
|--------------------|-------------|---|------|
| 1 | 408895-G1 | Crank Support Assy. | 1 |
| 2 | 409240-2 | Spacer - 7/16 Lg. | 1 |
| 3 | 404629-1 | Bearing - Hinge Pin | 3 |
| 4 | 408896-1 | Support - Crank | 1 |
| 5 | 408893-1 | Support - Spring | 2 |
| 6 | 402570-3 | Eye Bolt | 2 |
| 7 | 406363-1 | Spring - Door (Long) | 1 |
| 8 | 419631-G1 | Door Control Arm Assy. | 1 |
| 9 | SC-90-1 | Bolt - Shoulder 1/2-13 x 2 Hex Hd. | 1 |
| 10 | 417860-1 | Bolt - Shoulder 3/8-16 x 3/4 Hex Hd. | 1 |
| 11 | 408980-1 | Spring - Door (Short) | 1 |
| 12 | BL-3-8 | Light Bulb - Frosted 25 W | 2 |
| 13 | 420269-20G1 | Cover Assy. - Lamp | 1 |
| 14 | 417814-1 | Socket - Lamp | 2 |
| | 420403-20G1 | Door Frame Assy. (HCN 50 & 70 Series & Bake Oven Section in a 40 Series) | 1 |
| | 420403-21G1 | Door Frame Assy. (HCN 60 Series & Roast Oven Section in a 40 Series) | 1 |



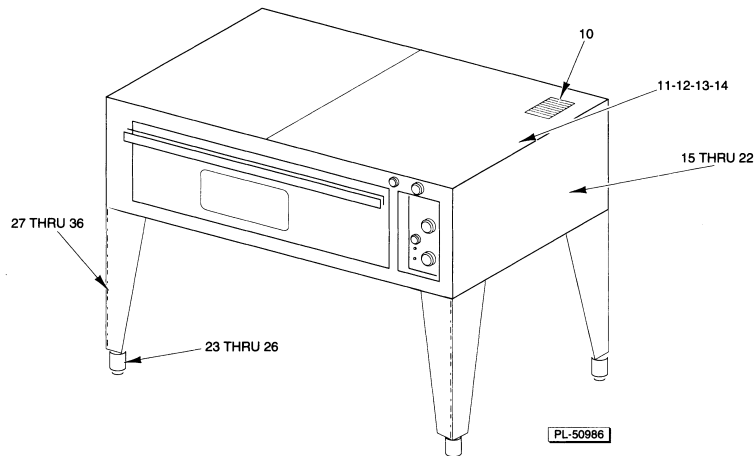
ELECTRIC HEAT ELEMENTS

ELECTRIC HEAT ELEMENTS

| ILLUS.PART PL-22074 | NO. | NAME OF PART | AMT. |
|------------------------|-------------|--|------|
| 1 | 411175-G1 | Window Assy. - Lamp (HCN 40, 50 & 60 Series) | 1 |
| 2 | 405928-34 | Gasket - Lamp Frame (HCN 40, 50 & 60 Series) | 1 |
| 3 | 410743-3 | Element - Outer Top 208 V. | 1 |
| 4 | 410743-2 | Element - Outer Top 240 V. | 1 |
| 5 | 410743-1 | Element - Outer Top 480 V. | 1 |
| 6 | 410743-3 | Element - Outer Bottom 208 V. | 1 |
| 7 | 410743-2 | Element - Outer Bottom 240 V. | 1 |
| 8 | 410743-1 | Element - Outer Bottom 480 V. | 1 |
| 9 | 410760-4 | Element - Inner Top 208 V. | 1 |
| 10 | 410760-5 | Element - Inner Top 240 V. | 1 |
| 11 | 410760-6 | Element - Inner Top 480 V. | 1 |
| 12 | 410760-4 | Element - Inner Bottom 208 V. | 1 |
| 13 | 410760-5 | Element - Inner Bottom 240 V. | 1 |
| 14 | 410760-6 | Element - Inner Bottom 480 V. | 1 |
| 15 | 420437-21G1 | Frame Assy. - Top Elements | 1 |
| 16 | 420445-20G1 | Frame Assy. - Bottom Elements | 1 |
| 17 | SC-53-6 | Mach. Screw 10-24 x 5/8 Truss Hd. (Top Element Mounting) | 10 |
| 18 | SC-10-17 | Mach. Screw 10-24 x 1/2 Truss Hd. (Bottom Element Mounting) | 9 |
| 19 | 406666-46 | Bolt 8-32 x 3/4 Rd. Hd. (Bottom Element Mounting) | 3 |
| 20 | NS-9-12 | Mach. Nut 8-32 Hex (Bottom Element Mounting) | 3 |
| 21 | 415677-1 | Clip - Capillary | 2 |
| | 412659-1 | Jumper Strap | 1 |
| | 412656-G1 | Element Assy. - Top 208 V. (Incls.items 3, 9, 15 & 17) | 1 |
| | 412656-G2 | Element Assy. - Top 240 V. (Incls.items 4, 10, 15 & 17) | 1 |
| | 412656-G3 | Element Assy. - Top 480 V. (Incls.items 5, 11, 15 & 17) | 1 |
| | 412657-G1 | Element Assy. - Bottom 208 V. (Incls.items 6, 12, 16, 18, 19 & 20) | 1 |
| | 412657-G2 | Element Assy. - Bottom 240 V. (Incls.items 7, 13, 16, 18, 19 & 20) | 1 |
| | 412657-G3 | Element Assy. - Bottom 480 V. (Incls.items 8, 14, 16, 18, 19 & 20) | 1 |



PL-22075



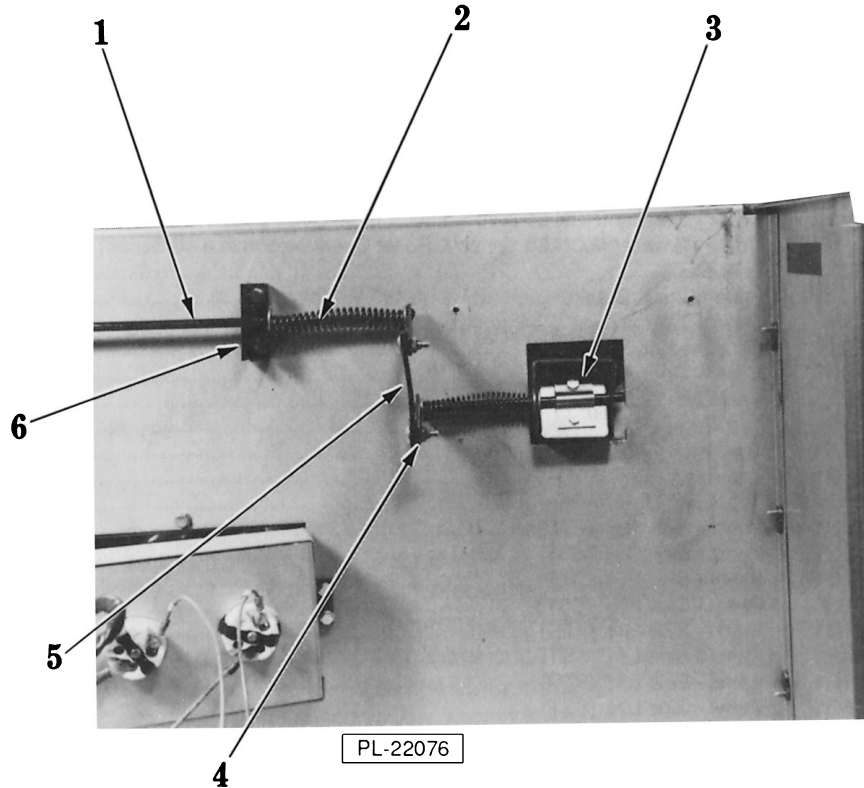
PL-50986

MISCELLANEOUS

MISCELLANEOUS

| ILLUS. PL-22075 | PART NO. | NAME OF PART | AMT. |
|--------------------|-------------|---|------|
| 1 | 412044-1 | Closure & Support Angle (HCN 50 & 70 Series & Bake Oven Section in a 40 Series) | 1 |
| 2 | 412044-2 | Closure & Support Angle (HCN 60 Series & Roast Oven Section in a 40 Series) | 1 |
| 3 | 412043-1 | Cover - Breaker (HCN 50 & 70 Series & Bake Oven Section in a 40 Series) | 1 |
| 4 | 412043-2 | Cover - Breaker (HCN 60 Series & Roast Oven Section in a 40 Series) | 1 |
| 5 | 420282-20G1 | Vent Stack | 1 |
| 6 | 412048-1 | Plate - Circuit Breaker Cover (Use on 480 V. Machines) | 1 |
| 7 | 420275 | Guard - Switch | 1 |
| 8 | 420307-20 | Door Stop - L.H. | 1 |
| 9 | 420308-20 | Cover - Door Arm L.H. | 1 |
| 10 | 417834-1 | Vent Cap | 1 |
| 11 | 420182-20G1 | Top Assy. - R.H. (PTD) | 1 |
| 12 | 420182-32G1 | Top Assy. - R.H. (SST) | 1 |
| 13 | 420182-21G1 | Top Assy. - L.H. (PTD) | 1 |
| 14 | 420182-33G1 | Top Assy. - L.H. (SST) | 1 |
| *15 | 420191-20G1 | Panel - Side R.H. (PTD) | 1 |
| *16 | 420191-43G1 | Panel - Side R.H. (SST) | 1 |
| **17 | 420191-32G1 | Panel - Side R.H. (PTD) | 1 |
| **18 | 420191-55G1 | Panel - Side R.H. (SST) | 1 |
| *19 | 420191-21G1 | Panel - Side L.H. (PTD) | 1 |
| *20 | 420191-44G1 | Panel - Side L.H. (SST) | 1 |
| **21 | 420191-33G1 | Panel - Side L.H. (PTD) | 1 |
| **22 | 420191-56G1 | Panel - Side L.H. (SST) | 1 |
| 23 | 412681-1 | Foot - Adjustable (PTD) | 4 |
| 24 | 412681-2 | Foot - Adjustable (SST) | 4 |
| 25 | 410118-1 | Caster | 2 |
| 26 | 410118-2 | Caster W/Brake | 2 |
| 27 | 414007-G1 | Leg Assy. - 6" (PTD) | 4 |
| 28 | 414007-G3 | Leg Assy. 17" (PTD) | 4 |
| 29 | 414007-G4 | Leg Assy. - 23" (PTD) | 4 |
| 30 | 414007-G9 | Leg Assy. - 23" (SST) | 4 |
| 31 | 414007-G5 | Leg Assy. - 27" (PTD) | 4 |
| 32 | 414007-G10 | Leg Assy. - 27" (SST) | 4 |
| 33 | 414814-G1 | Leg Assy. - 17" (PTD) (Use W/Casters) | 4 |
| 34 | 414814-G3 | Leg Assy. - 17" (SST) (Use W/Casters) | 4 |
| 35 | 414814-G2 | Leg Assy. - 23" (PTD) (Use W/Casters) | 4 |
| 36 | 414814-G4 | Leg Assy. - 23" (SST) (Use W/Casters) | 4 |
| | 414815-G1 | Shelf (PTD) | 1 |
| | 414815-G3 | Shelf (SST) | 1 |

* HCN 50 & 70 Series & Bake Oven Section in a 40 Series Unit.
 ** HCN 60 Series & Roast Oven Section in a 40 Series Unit.



DAMPER MECHANISM

| ILLUS. PL-22076 | PART NO. | NAME OF PART | AMT. |
|--------------------|-------------|--------------------------------------|------|
| 1 | 407585-G1 | Rod - Upper Damper Control | 1 |
| 2 | 417810-1 | Spring - Compression | 2 |
| 3 | 407550-1 | Clamp - Damper | 1 |
| 4 | 407586-G1 | Rod Assy. - Control | 1 |
| 5 | 407591-1 | Connecting Link - Damper Crank | 1 |
| 6 | 407590-1 | Support Bracket | 1 |