



CATALOG OF REPLACEMENT PARTS

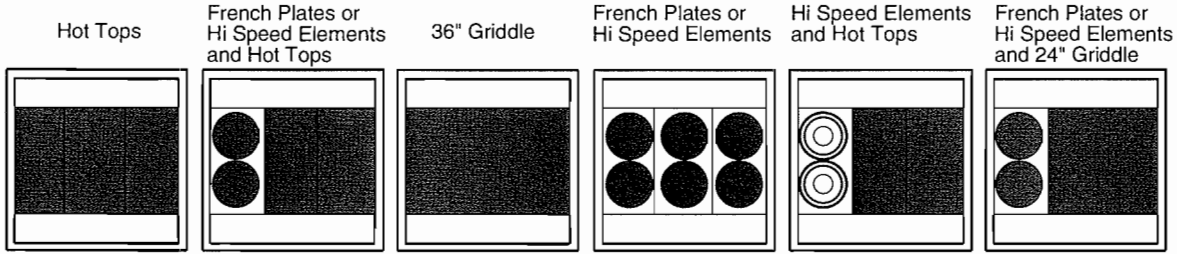
MODEL HCR SERIES ELECTRIC RANGES



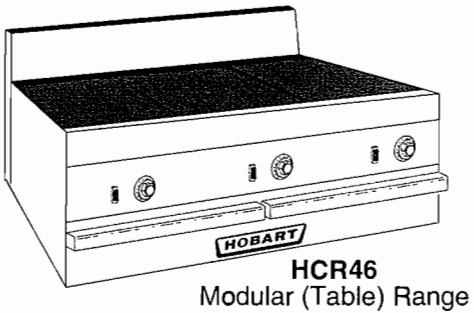
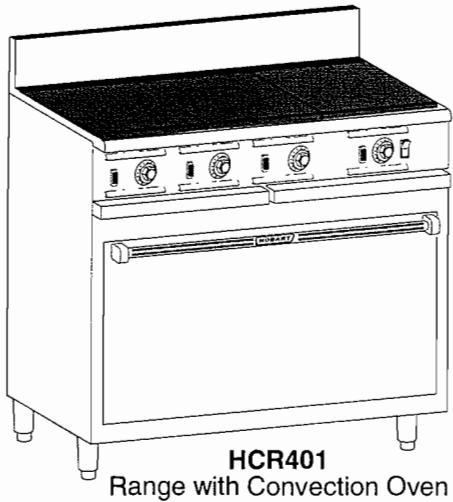
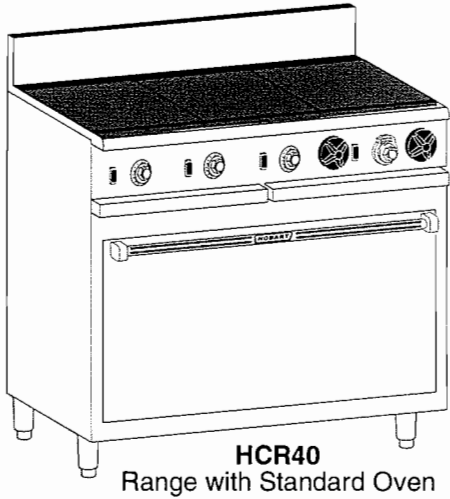
HCR401

HCR40	ML-43796
HCR41	ML-43797
HCR42	ML-43798
HCR43	ML-43799
HCR44	ML-43800
HCR45	ML-43801
HCR46	ML-43802
HCR47	ML-43803
HCR48	ML-43804
HCR49	ML-43805
HCR50	ML-43806
HCR51	ML-43807
HCR56	ML-43808
HCR58	ML-43809
HCR401	ML-43810
HCR411	ML-43811
HCR421	ML-43812
HCR431	ML-43813
HCR441	ML-43814
HCR561	ML-43815

RANGE TOP CONFIGURATIONS

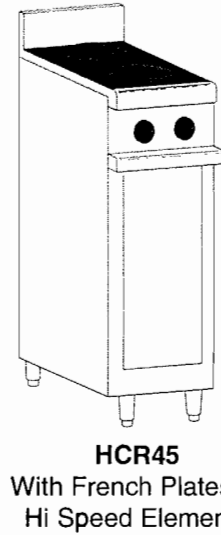
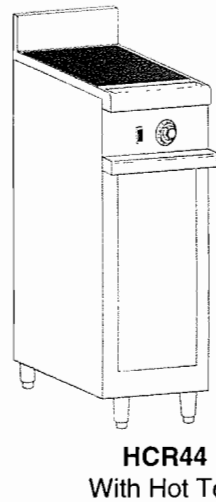
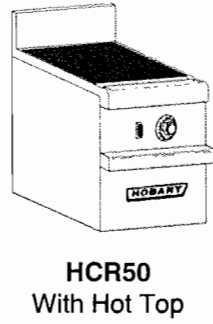


Standard Ovens	HCR40	HCR41	HCR42	HCR43	HCR56	HCR58
Modular Units	HCR46	HCR47	HCR48	HCR49		
Convection Ovens	HCR401	HCR411	HCR421	HCR431	HCR561	HCR441



EXPANDO UNITS

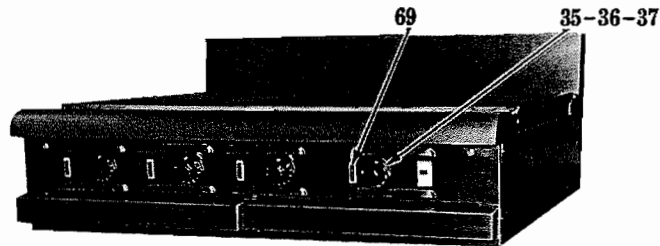
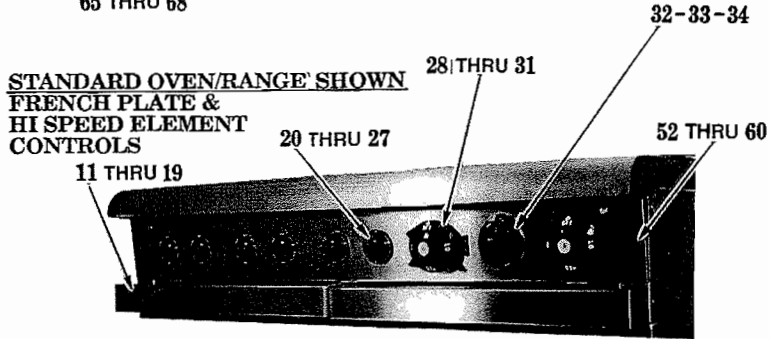
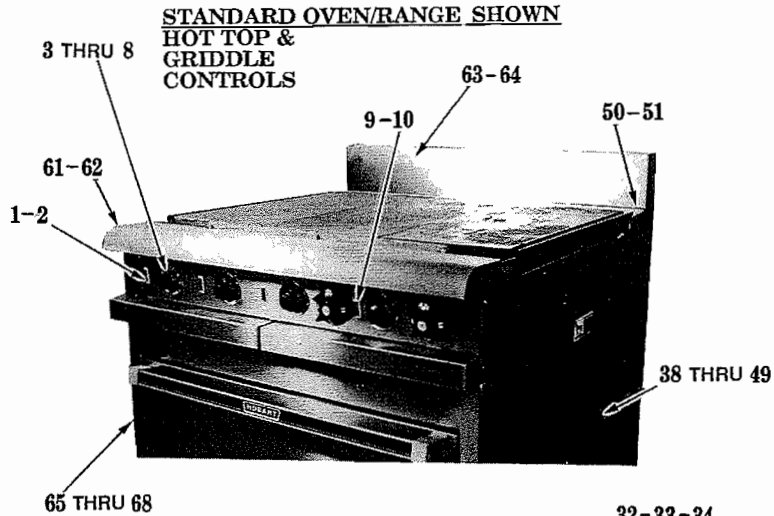
Modular (Table) Range | Full Body Expando Range



PL - 51283

TABLE OF CONTENTS

Page	Description
5	Switch Panel Control
7	Electrical Components (Standard Oven/Range)
9	Electrical Components (Convection Oven/Range)
10	Breaker Box Area (Convection Ovens Only)
11	Door Unit-Oven
13	Door Mechanism-Oven
15	Oven Cavity
17	Electric Heat Elements (Standard Ovens)
19	Electric Heat Elements (Convection Ovens)
21	Range Tops
23	Miscellaneous



PL-22264

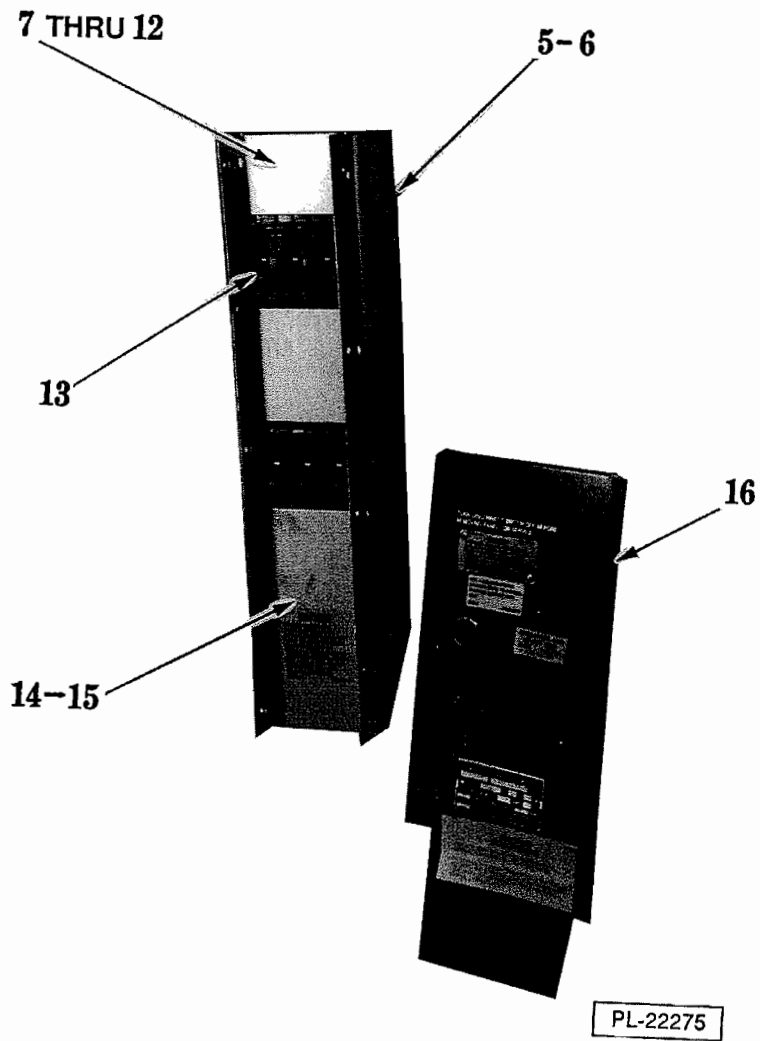
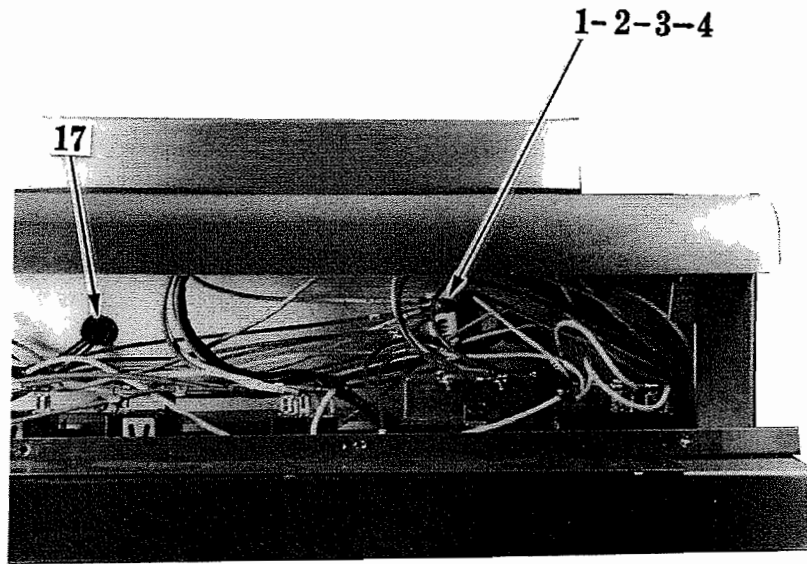
**CONVECTION OVEN/RANGE
CONTROLS**

SWITCH PANEL CONTROL

ILLUS. PL-22264	PART NO.	NAME OF PART	AMT.
1	411496-E4	Indicator Light (Range Top)(All Models Except HCR 43, 45, 49, 51 & 431)	AR
2	417876-1	Resistor - 300K (Use on 480 V. Machines)	AR
3	418061-2	Knob - Hot Top (HCR 40, 41, 44, 46, 47, 50, 56, 401, 411 & 561)	AR
4	411506-1	Thermostat - Hot Top (HCR 40, 41, 44, 46, 47, 50, 56, 401, 411 & 561)	AR
5	415119-7	Dial - Griddle (200 to 500 Deg. F.)(HCR 42, 48 & 58)	AR
6	415119-4	Dial - Griddle (200 to 550 Deg. F.)(HCR 421 & 441)	AR
7	411506-2	Thermostat - Griddle (HCR 42, 48, 58, 421 & 441)	AR

SWITCH PANEL CONTROL (Cont.)

ILLUS. PL-22264	PART NO.	NAME OF PART	AMT.
8	415119-6	Bezel	AR
9	411496-E5	Indicator Light - Oven	1
10	417876-1	Resistor - 300K (Use on 480 V. Machines)	1
11	419772-1	Handle - Drip Tray (L.H.)(All Models Except HCR 44, 45, 50 & 51)	1
12	419772-2	Handle - Drip Tray (R.H.)(All Models Except HCR 44, 45, 50 & 51)	1
13	419773-1	Handle - Drip Tray (HCR 44, 45, 50 & 51)	1
14	412896-G1	Tray - Drip (L.H.)(All Models Except HCR 44, 45, 50 & 51)	1
15	412895-2	Tray - Drip (R.H.)(All Models Except HCR 44, 45, 50 & 51)	1
16	420148-20G1	Tray - Drip (HCR 44, 45, 50 & 51)	1
17	SC-10-16	Mach. Screw 10-24 x 1/2 Truss Hd.	8
18	402522	Lockwasher 10	8
19	NS-48-12	Mach. Nut 10-24 Hex	8
20	412251-2	Knob-Infinite Switch (208-240V.) (HCR 41,43,45,47,49,51,56,58,411,431,441&561)	AR
21	407727-6	Knob - 3 Heat (480 V.)(HCR 41, 43, 45, 47, 49, 51, 56 & 58)	AR
22	413558-2	Knob - 3 Heat (480 V.)(HCR 411, 431, 441 & 561)	AR
23	419605	Spacer - Knob (480 V.)(HCR 411, 431, 441 & 561)	AR
24	411503-4	Switch-Infinite (208-240V.) (HCR 41,43,45,47,49,51,56,58,411,431,441&561)	AR
25	355798-1	Switch - 3 Heat (480 V.)(HCR 41, 43, 45, 47, 49, 51, 56, 58, 411, 431, 441 & 561)	AR
26	419769-1	Tab - ID (R)(480 V.)	AR
27	419769-3	Tab - ID (F)(480 V.)	AR
28	407727-6	Knob - 3 Heat (Standard Oven)(HCR 40 thru 43, 56 & 58)	2
29	355798-1	Switch - 3 Heat (Standard Oven)(HCR 40 thru 43, 56 & 58)	2
30	419769-4	Tab - I.D. (Top)(Standard Oven)	1
31	419769-5	Tab - I.D. (Bottom)(Standard Oven)	1
32	415119-7	Dial (200 - 500 Deg. F)(Standard Oven)	1
33	415119-6	Bezel (Standard Oven)	1
34	415119-2	Thermostat (200 - 550 Deg. F)(Standard Oven)	1
35	411506-11	Thermostat - Convection Oven	1
36	413976-1	Dial (200 - 500 Deg. F)(Convection Oven)	1
37	411496-B1	Switch - Rocker (Convection Oven)	1
38	412672-G1	Side - Body (R.H.)(PTD)(All Models Except HCR 46 thru 51)	1
39	412672-G2	Side - Body (L.H.)(PTD)(All Models Except HCR 46 thru 51)	1
40	412672-G3	Side - Body (R.H.)(SST)(All Models Except HCR 46 thru 51)	1
41	412672-G4	Side - Body (L.H.)(SST)(All Models Except HCR 46 thru 51)	1
42	407200-G1	Side - Body (L.H.)(PTD)(HCR 46, 47, 48 & 49)	1
43	407200-G2	Side - Body (R.H.)(PTD)(HCR 46, 47, 48 & 49)	1
44	407200-G3	Side - Body (L.H.)(SST)(HCR 46, 47, 48 & 49)	1
45	407200-G4	Side - Body (R.H.)(SST)(HCR 46, 47, 48 & 49)	1
46	407596-G1	Side - Body (L.H.)(PTD)(HCR 50 & 51)	1
47	407596-G2	Side - Body (R.H.)(PTD)(HCR 50 & 51)	1
48	407596-G3	Side - Body (L.H.)(SST)(HCR 50 & 51)	1
49	407596-G4	Side - Body (R.H.)(SST)(HCR 50 & 51)	1
50	410107-G2	Back - Top (All Models Except HCR 44, 45, 50 & 51)	1
51	410142-G2	Back - Top (HCR 44, 45, 50 & 51)	1
52	413516-G1	Panel - Control (HCR 40, 41, 42, 43, 56 & 58)	1
53	413518-G1	Stiffener (HCR 40, 41, 42, 43, 56 & 58)	1
54	413515-G1	Panel - Control (HCR 46, 47, 48 & 49)	1
55	412189-G1	Stiffener (HCR 46, 47, 48 & 49)	1
56	412192-G1	Panel - Control (HCR 44 & 45)	1
57	412192-1	Panel - Control (HCR 50 & 51)	1
58	412191-G1	Stiffener (HCR 44, 45, 50 & 51)	1
59	419900-G1	Panel - Control (HCR 401, 411, 421, 431, 441 & 561)	1
60	419901-G1	Stiffener (HCR 401, 411, 421, 431, 441 & 561)	1
61	419774-G1	Top - Front (HCR 44, 45, 50 & 51)	1
62	419771-G2	Top - Front (All Models Except HCR 44, 45, 50 & 51)	1
63	411319-G1	Back Splash Assy. (All Models Except HCR 44, 45, 50 & 51)	1
64	411319-G5	Back Splash Assy. (HCR 44, 45, 50 & 51)	1
65	413565-G1	Frame Panel - Front (All Models Except HCR 44, 45, 50 & 51)	1
66	420132-G1	Door - Fuse (HCR 44 & 45)	1
67	407606-1	Panel - Front (HCR 50 & 51)	1
68	407605-1	Cover - Breaker (HCR 50 & 51)	1
69	411496-E5	Indicator Light - Oven	1

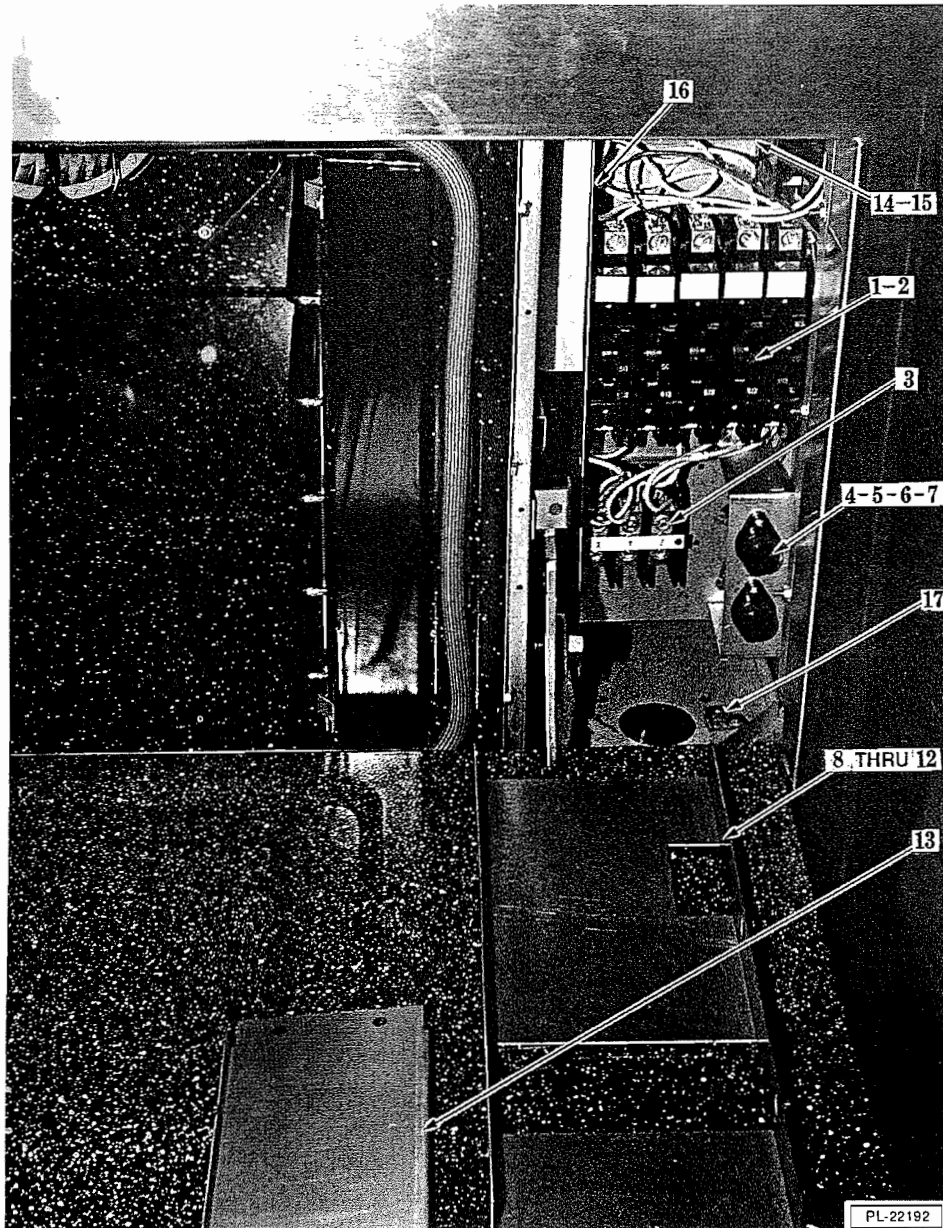


**ELECTRICAL COMPONENTS
(STANDARD OVEN/RANGE)**

ELECTRICAL COMPONENTS (STANDARD OVEN/RANGE)

ILLUS. PL-22275	PART NO.	NAME OF PART	AMT.
1	417934-G1	Block Assy. - Porcelain (Incls.items 2, 3 & 4)(All Models Except HCR 44, 45, 50 & 51)	2
2	SC-117-3	Mach. Screw 10-24 x 1¼ Rd. Hd.	4
3	WS-23-20	Washer	8
4	NS-44-9	Nut Assy 10-24 Hex "KEPS"	8
5	412577-1	Box - Breaker (All Models Except HCR 44, 45, 50 & 51)	1
6	412224-G1	Box - Breaker (HCR 44, 45, 50 & 51)	1
7	412578-1	Closure - Breaker (208 - 240 V.)(Shown)(All Models Except HCR 44, 45, 50 & 51)	1
8	411904-1	Cover - Breaker Closure (208 - 240 V.)(All Models Except HCR 44, 45, 50 & 51)	1
9	411765-2	Cover - Breaker Box (208 - 240 V.)(HCR 44, 45, 50 & 51)	1
10	412578-2	Closure - Breaker (480 V.)(All Models Except HCR 44, 45, 50 & 51)	1
11	412048-1	Cover Plate - Breaker (480 V.)(All Models Except HCR 44, 45, 50 & 51)	1
12	411765-1	Cover - Breaker Box (480 V.)(HCR 44, 45, 50 & 51)	1
13	411501-14	Circuit Breaker (50 Amp, 208 - 240 V.)	AR
14	410472-8	Terminal Block (480 V.)(HCR 44, 45, 50 & 51)	1
15	410472-11	Terminal Block (All Models Except HCR 44, 45, 50 & 51)	1
*16	406708-G1	Door - Access Breaker (HCR 40, 41, 42, 43, 56 & 58)	1
17	FE-23-56	Bushing - Electrical Snap	AR
	417856-1	Lug - Grounding (With Set Screw)	AR

* Give Model, Serial Number & Electrical Spec.

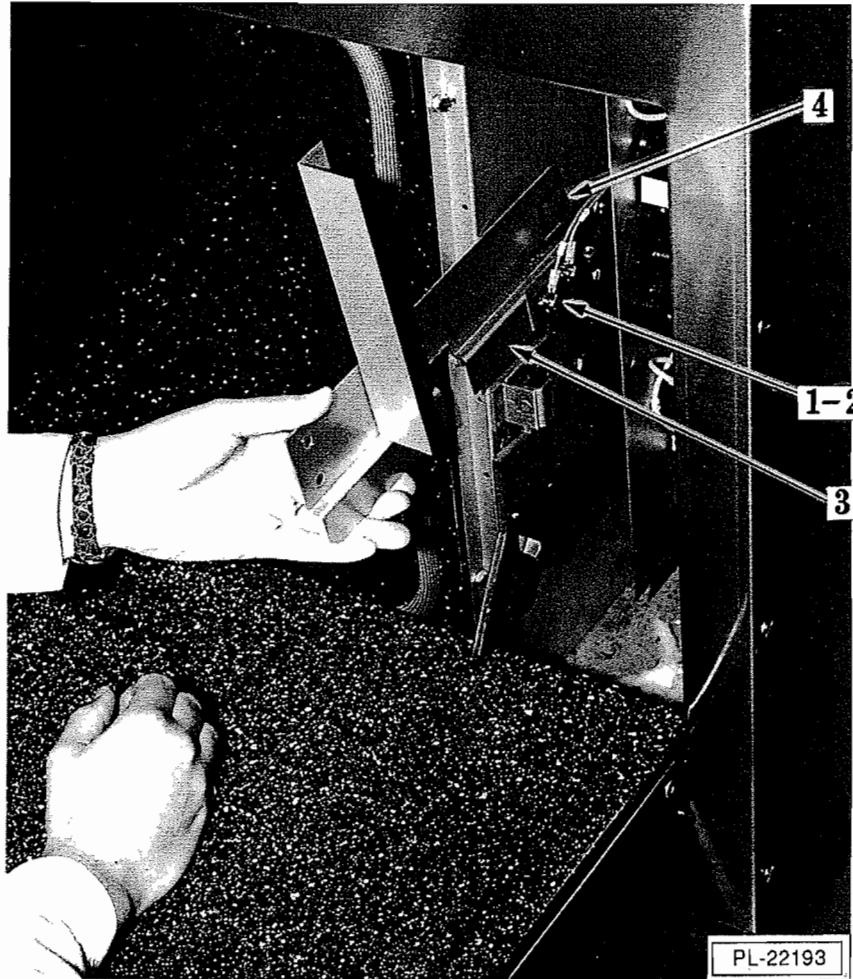


**ELECTRICAL COMPONENTS
(CONVECTION OVEN/RANGE)**

**ELECTRICAL COMPONENTS
(CONVECTION OVEN/RANGE)**

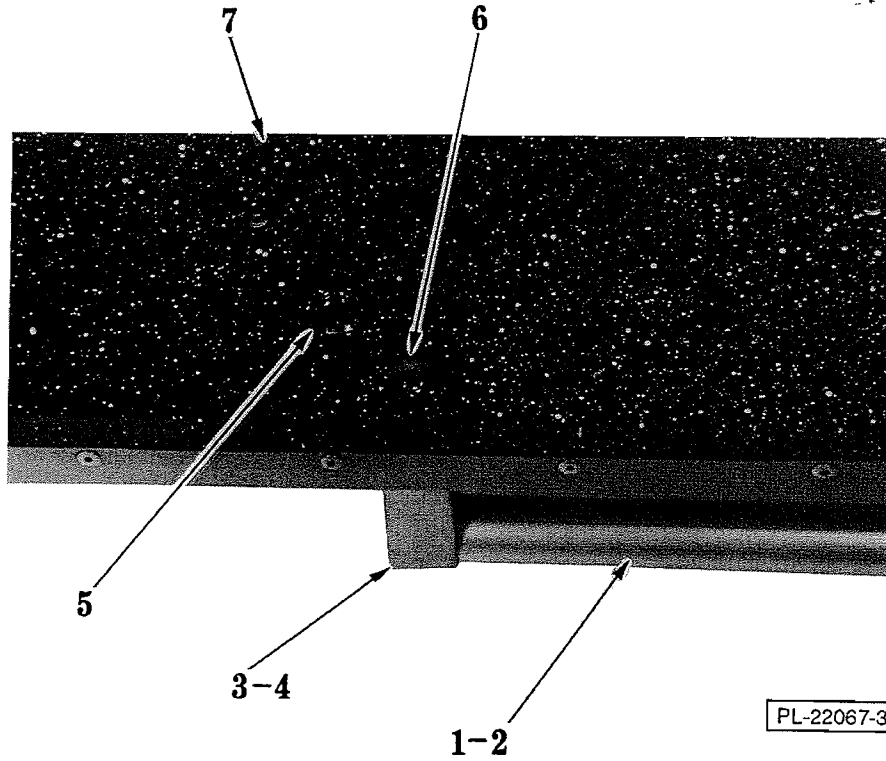
ILLUS. PL-22192	PART NO.	NAME OF PART	AMT.
1	411501-14	Circuit Breaker 50 Amp. (Use on 208 - 240 V. Machines)	6
2	411497-C2	Contactora (3 Pole, 240 V.)(Use on 480 V. Machines)	1
3	410472-11	Terminal Block (3 Pole)	1
4	FE-17-47	Fuse (3 Amp., 250 V.)(Use on 480 V. Machines)	1
5	FE-23-19	Holder - Fuse (Use W/Item 4)	1
6	FE-19-40	Fuse (15 Amp., 300 V.)(Use on 208 - 240 V. Machines)	2
7	FE-23-55	Holder - Fuse (Use W/Item 6)	2
8	419863-1	Cover - Terminal Block	1
9	412578-2	Cover - Breaker (480 V.)	1
10	419862-1	Cover - Enclosure (208 - 240 V.)(Shown)	1
11	419868-1	Cover - Enclosure (480 V.)	1
12	412048-1	Cover Plate - Breaker (480 V.)	1
**13	406708-G1	Door - Breaker Panel	1
14	411497-D3	Contactora (4 Pole, 240 V.)(Use on 208 - 240 V. Machines)	1
15	411497-C5	Contactora (3 Pole, 240 V.)(Use on 480 V. Machines)	1
16	419861-G1	Box - Electrical Enclosure	1
17	417856-1	Lug - Grounding (With Set Screw)	1
	417934-G1	Block Assy. - Porcelain	3
	411500-6	Transformer 50 VA (Use on 480 V. Machines)	1
	FE-23-56	Bushing - Electrical Snap	AR

* 208 - 240 V. Model Shown
 ** Give Model, Serial Number & Electrical Spec.



**BREAKER BOX AREA
(CONVECTION OVENS ONLY)**

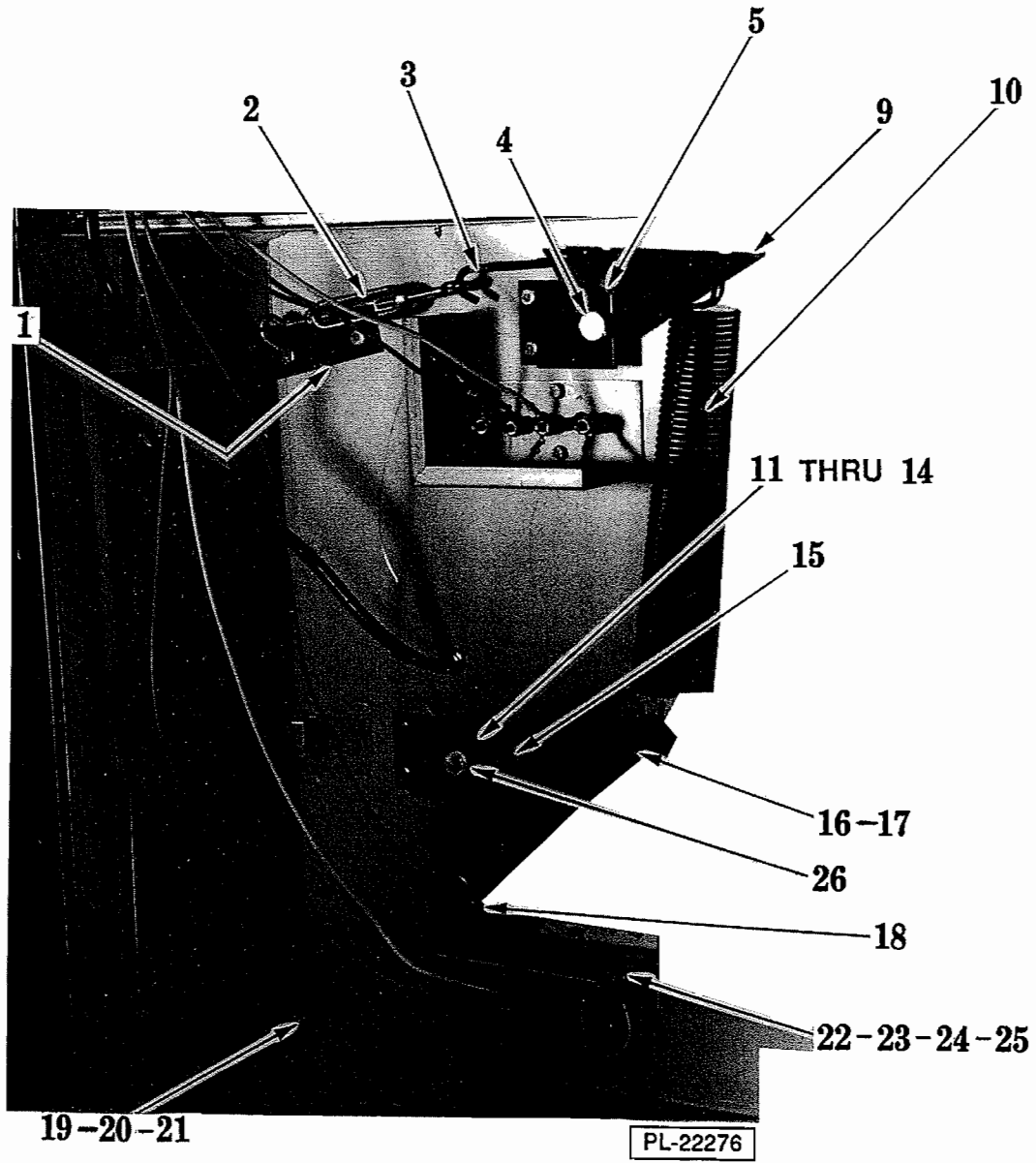
ILLUS. PL-22193	PART NO.	NAME OF PART	AMT.
1	411496-F1	Switch - Micro	1
2	415486-1	Insulator - Micro Switch	1
3	419903-G1	Mounting Assy. - Door Switch	1
4	419906-1	Clip - Switch Mount Support	1



PL-22067-3

DOOR UNIT - OVEN

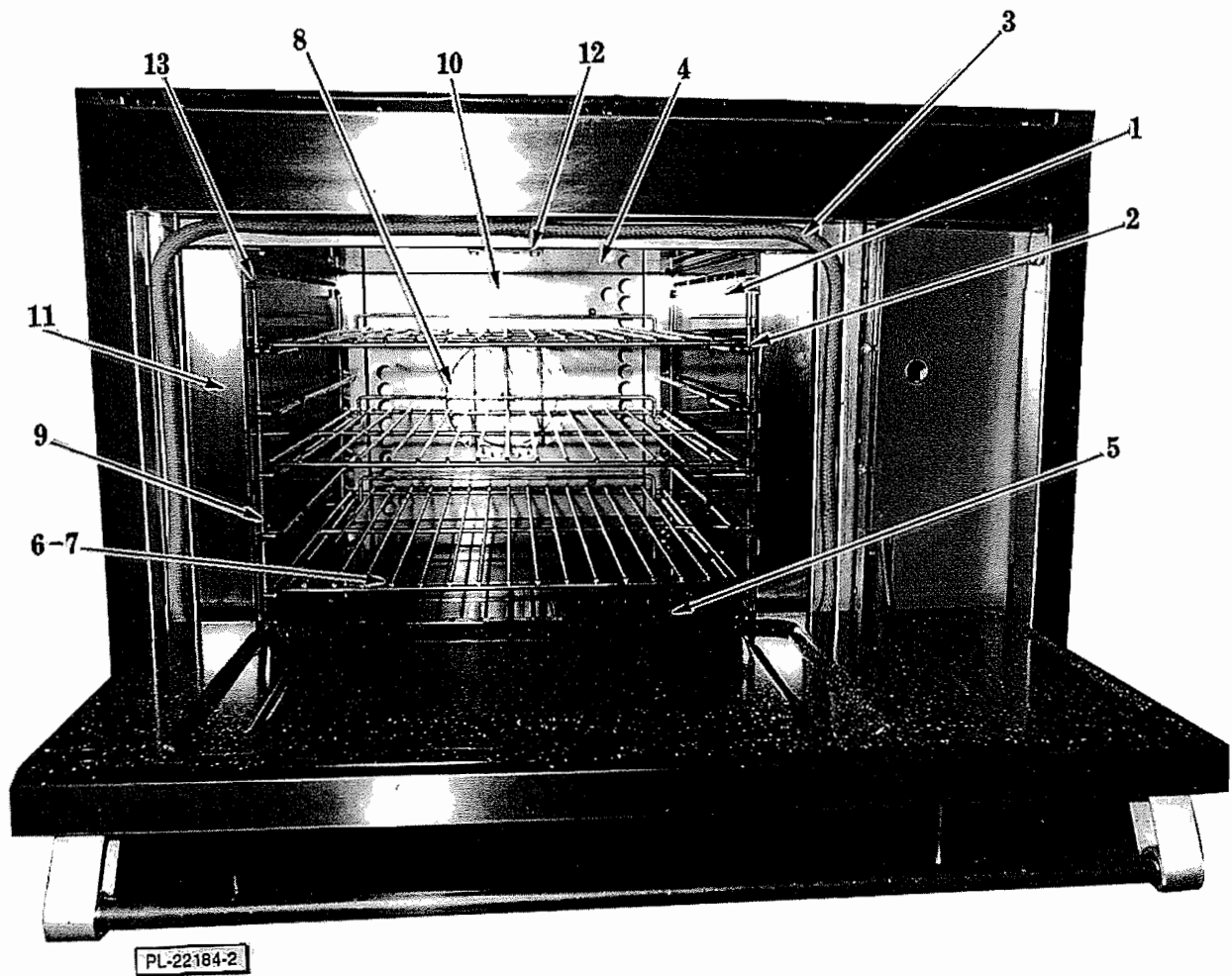
ILLUS. PL-22067-3	PART NO.	NAME OF PART	AMT.
1	419765-1	Handle - Door	1
2	419766-G1	Insert - Door Handle	1
3	419764-1	End Cap L.H.	1
4	419764-2	End Cap R.H.	1
5	PB-4-73	Plug Button	2
6	SC-120-22	Mach. Screw 3/8-16 x 1 1/4 Rd. Hd.	2
7	357102-G1	Door Assy. Complete W/Hinges (Incls.items 1 thru 6)	1



DOOR MECHANISM - OVEN

DOOR MECHANISM - OVEN

ILLUS. PL-22276	PART NO.	NAME OF PART	AMT.
1	410110-1	Anchor - Spring	1
2	417874-1	Buckle - Turn	1
3	405618-1	Hook - Oven Door	1
4	SC-90-1	Bolt - Shoulder 1/2-13 x 2 Hex Hd.	1
5	408895-G1	Crank Support Assy.	1
6	409240-2	Spacer - 3/4 Pipe x 7/16 Lg.	1
7	404629-1	Bearing - Hinge Pin	1
8	408896-1	Support - Crank	1
9	410111-1	Crank - Bell	1
10	406363-1	Spring - Door (Long)	1
11	408895-G1	Crank Support Assy.	1
12	409240-1	Spacer - 3/4 x 5/16 Lg.	1
13	404629-1	Bearing - Hinge Pin	1
14	408896-1	Support - Crank	1
15	410090-G1	Radius Bar Assy.	1
16	410089-1	Arm - Door Control (Standard Oven)	1
17	419932-G1	Arm - Door Control (Convection Oven)	1
18	PC-3-36	Cotter Pin 3/32 x 1 Lg.	1
19	417860-1	Bolt - Shoulder 3/8-16 x 3/4 Hex Hd.	1
20	417862-1	Pin - Door Hinge	2
21	417806-1	Spacer - Door	2
22	410113-1	Cover - Terminals (Top Oven Heat Elements)(Standard Oven)	1
23	410114-1	Cover - Terminals (Bottom Oven Heat Elements)(Standard Oven)	1
24	419933-1	Cover Plate - Top (Convection Oven)	1
25	419933-2	Cover Plate - Bottom (Convection Oven)	1
26	SC-90-1	Bolt - Shoulder 1/2-13 x 2 Hex Hd.	1
	412887-G1	Door Frame Assy.	1

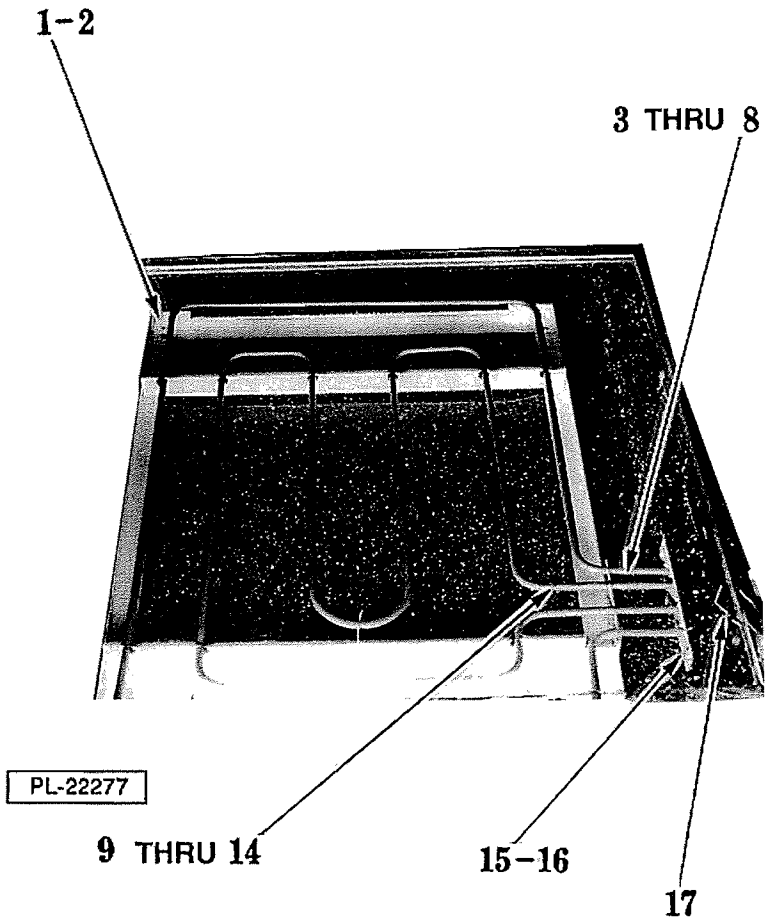


**OVEN CAVITY
(CONVECTION OVEN SHOWN)**

**OVEN CAVITY
(CONVECTION OVEN MODEL SHOWN)**

ILLUS. PL-22184-2	PART NO.	NAME OF PART	AMT.
* 1	419899-2	Liner - Side R.H.	1
* 2	419238-2	Support - Oven Rack R.H.	1
* 3	419615-1	Gasket - Oven Door	1
* 4	419898-1	Top - Cavity	1
* 5	419898-2	Bottom - Cavity	1
* 6	419239-1	Rack - Oven (Convection Oven Models)	3
7	417807-1	Rack - Oven (Standard Oven Models)	AR
* 8	415780-11	Wheel - Blower	1
* 9	419238-1	Support - Oven Rack L.H.	1
*10	419895-1	Back - Cavity	1
*11	419899-1	Liner - Side L.H.	1
*12	413840-1	Thermostat - Hi Limit (550 Deg. F Trip)	1
13	413951-2	Clip - Rack Support	8

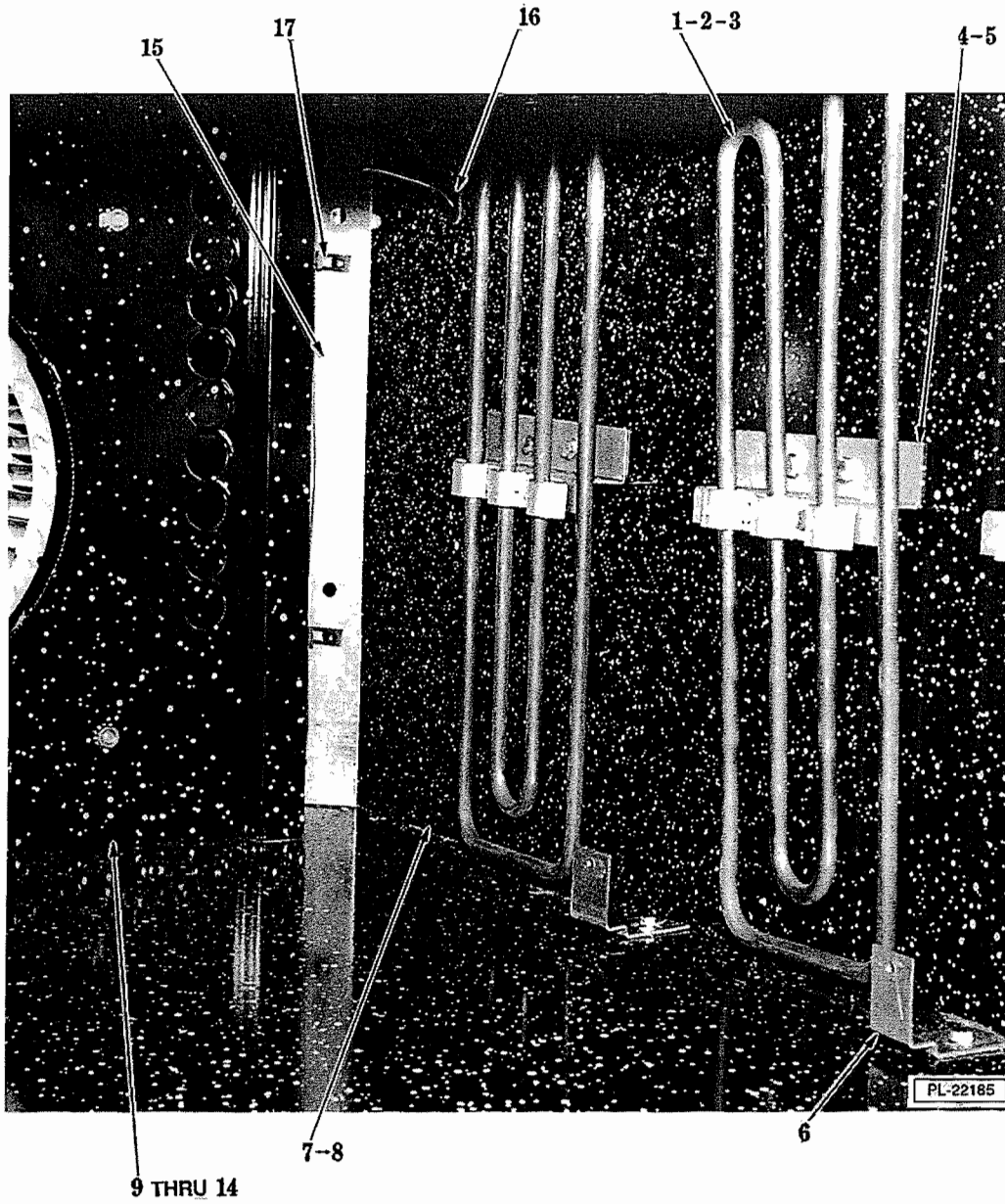
* Convection Oven Models Only.



**ELECTRICAL HEAT ELEMENTS
(STANDARD OVENS)**

**ELECTRIC HEAT ELEMENTS
(STANDARD OVENS)**

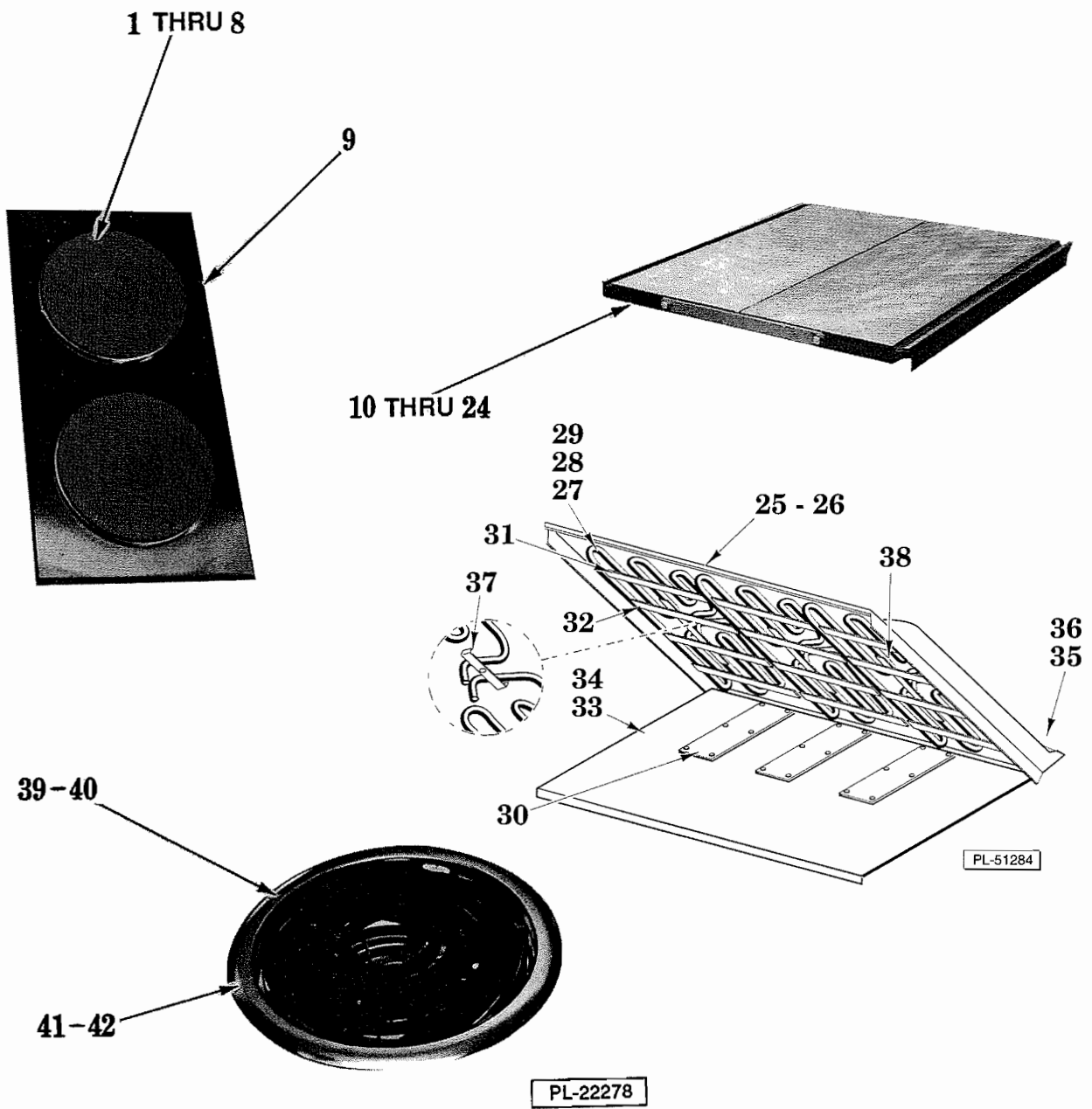
ILLUS. PL-22277	PART NO.	NAME OF PART	AMT.
1	420371-G3	Frame Assy. - Top Elements	1
2	420371-G4	Frame Assy. - Bottom Elements	1
3	417823-1	Element Assy. - Outer Top (208 V.)	1
4	417823-2	Element Assy. - Outer Top (240 V.)	1
5	417823-3	Element Assy. - Outer Top (480 V.)	1
6	417823-5	Element - Outer Bottom (208 V.)	1
7	417823-6	Element - Outer Bottom (240 V.)	1
8	417823-7	Element - Outer Bottom (480 V.)	1
9	417820-1	Element Assy. - Inner Top (208 V.)	1
10	417820-2	Element Assy. - Inner Top (240 V.)	1
11	417820-3	Element Assy. - Inner Top (480 V.)	1
12	417820-5	Element - Inner Bottom (208 V.)	1
13	417820-6	Element - Inner Bottom (240 V.)	1
14	417820-7	Element - Inner Bottom (480 V.)	1
15	412708-1	Spacer - Division Side	2
16	412707-1	Spacer - Oven Side	2
17	417157-1	Protector - Thermostat Bulb	1
	420358-G1	Element Assy. - Top 208 V. (Incls.items 1, 3, 9, 15 & 16)	1
	420358-G2	Element Assy. - Top 240 V. (Incls.items 1, 4, 10, 15 & 16)	1
	420358-G3	Element Assy. - Top 480 V.(Incls.items 1, 5, 11, 15, 16 & 17)	1
	420358-G4	Element Assy. - Bottom 208 V.(Incls.items 2, 6, 12, 15 & 16)	1
	420358-G5	Element Assy. - Bottom 240 V.(Incls.items 2, 7, 13, 15 & 16)	1
	420358-G6	Element Assy. - Bottom 480 V.(Incls.items 2, 8 & 14 thru 17)	1



**ELECTRICAL HEAT ELEMENTS
(CONVECTION OVENS)**

**ELECTRIC HEAT ELEMENTS
(CONVECTION OVENS)**

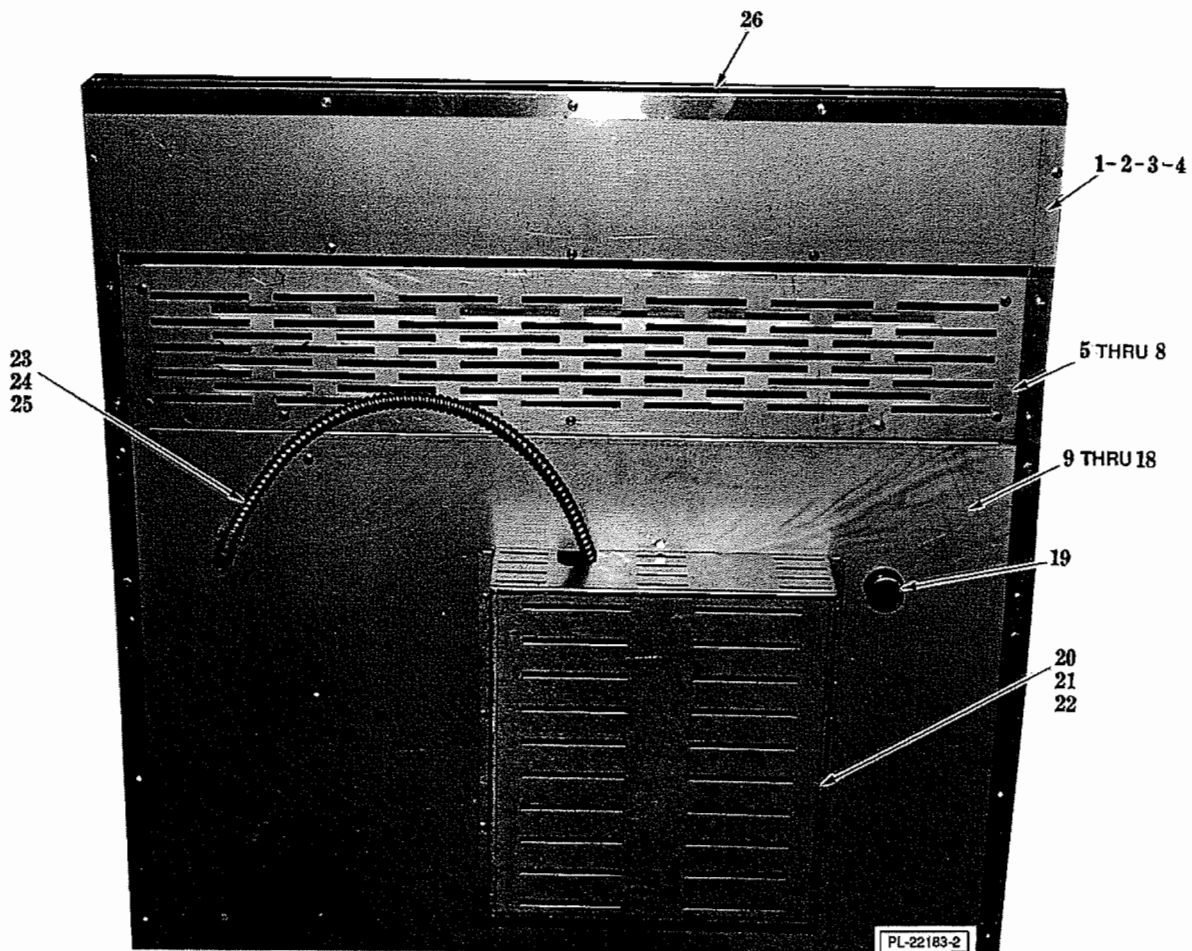
ILLUS. PL-22185	PART NO.	NAME OF PART	AMT.
1	419671-1	Elements (208 V.)	6
2	419671-2	Elements (240 V.)	6
3	419671-3	Elements (480 V.)	6
4	412636-1	Bracket - Element	6
5	412636-2	Bracket - Element	6
6	412699-1	Bracket - Liner	4
7	419896-1	Side - Cavity R.H.	1
8	419897-1	Side - Cavity L.H.	1
9	419894-1	Guard - Fan	1
10	419908-G1	Support - Motor & Fan Housing	1
11	413987-2	Plate - Motor Mount	1
12	416286-1	Insulation (Motor to Mounting Plate)	1
13	411289-1	Spacer - Fan Housing (1/8 Pipe x 2 7/8)	4
14	412630-1	Spacer 7/8 O.D. x 5/8 Lg.	4
15	419907-1	Diverter - Air	2
16	410430-1	Grommet	1
17	412502-1	Clips - Bulb	2



RANGE TOPS

RANGE TOPS

ILLUS. PL-22278	PART NO.	NAME OF PART	AMT.
1	415050-1	French Plate (208 V.)(HCR 43, 49 & 431)	6
2	415050-2	French Plate (240 V.)(HCR 43, 49 & 431)	6
3	415050-3	French Plate (480 V.)(HCR 43, 49 & 431)	6
4	415050-1	French Plate (208 V.)(HCR 41, 45, 47, 51, 411 & 441)	2
5	415050-2	French Plate (240 V.)(HCR 41, 45, 47, 51, 411 & 441)	2
6	415050-3	French Plate (480 V.)(HCR 41, 45, 47, 51, 411, 441 & 561)	2
7	415050-N	Nut	AR
8	415048-1	Clamp	AR
9	420473-G3	Top Assy. - Cooking (French Plate & Hi-Speed Unit)	AR
10	412585-G1	Hot Top Assy.(208 V.) Double Trough (HCR 44 & 50)(Incls.items 19, 22, 23 & 24)	1
11	412585-G2	Hot Top Assy.(240 V.) Double Trough (HCR 44 & 50)(Incls.items 20, 22, 23 & 24)	1
12	412585-G3	Hot Top Assy.(480 V.) Double Trough (HCR 44 & 50)(Incls.items 21, 22, 23 & 24)	1
13	412585-G4	Hot Top Assy.(208 V.) W/Trough (HCR 40, 41, 46, 47, 56, 401, 411 & 561)	AR
14	412585-G5	Hot Top Assy.(240 V.) W/Trough (HCR 40, 41, 46, 47, 56, 401, 411 & 561)	AR
15	412585-G6	Hot Top Assy.(480 V.) W/Trough (HCR 40, 41, 46, 47, 56, 401, 411 & 561)	AR
16	412585-G7	Hot Top Assy.(208 V.) W/O Trough (HCR 40, 46 & 401)(Incls.items 19, 22, 23 & 24)	1
17	412585-G8	Hot Top Assy.(240 V.) W/O Trough (HCR 40, 46 & 401)(Incls.items 20, 22, 23 & 24)	1
18	412585-G9	Hot Top Assy.(480 V.) W/O Trough (HCR 40, 46 & 401)(Incls.items 21, 22, 23 & 24)	1
19	413452-1	Element - Electric Heat (208 V.)	AR
20	413452-2	Element - Electric Heat (240 V.)	AR
21	413452-3	Element - Electric Heat (480 V.)	AR
22	413513-1	Thermostat Clamp	AR
23	414452-1	Clamp - Element Plate	AR
24	414449-2	Cover - Insulating	AR
25	419760-G1	Plate Griddle 24" (HCR 58 & 441)	1
26	412689-G1	Plate Griddle 36" (HCR 42, 48 & 421)	1
27	411967-4	Element - Electric Heat (208 V.)	AR
28	411967-5	Element - Electric Heat (240 V.)	AR
29	411967-3	Element - Electric Heat (480 V.)	AR
30	412694-1	Plate - Closure	AR
31	412690-1	Retainer - Outer Element	AR
32	412691-G1	Retainer Assy. - Inner Element	AR
33	412693-1	Cover - Griddle Base (HCR 42, 48 & 421)	1
34	419754-1	Cover - Griddle Base (HCR 58 & 441)	1
35	420390-1	Back Splash (HCR 42, 48 & 421)	1
36	419753-1	Back Splash (HCR 58 & 441)	1
37	420467-20	Clamp - Element	AR
38	420385-1	Cover - Thermostat Bulb	AR
39	417847-G1	Element - Assy. (Hi-Speed Unit) (208 V.) (HCR41,43,45,47,49,51,56,411,431&561) (Incls. Items 41&42)	AR
40	417847-G2	Element - Assy. (Hi-Speed Unit) (240 V.) (HCR41,43,45,47,49,51,56,411,431&561) (Incls. Items 41&42)	AR
41	417845-1	Ring - Retainer	AR
42	417846-1	Bowl - Reflector	AR
	412692-G1	Griddle Plate Assy. 36"(208 V.)(HCR42,48&421)(Incls. Items 24,26,29 thru 33,35&37)	1
	412692-G2	Griddle Plate Assy. 36"(240 V.)(HCR42,48&421)(Incls. Items 24,27,29 thru 33,35&37)	1
	412692-G3	Griddle Plate Assy. 36"(480 V.)(HCR42,48&421)(Incls. Items 24,28,29 thru 33,35&37)	1
	415049-1	Jumper Strap (Use W/Items 3 & 6)	AR
	420118-20	Bar - Triple Tie (Hot Tops) (HCR 40,46&401)	2
	420118-23	Bar - Double Tie (Hot Tops) (HCR 41,47,56,411&561)	2



MISCELLANEOUS
(REAR CONVECTION OVEN SHOWN)

**MISCELLANEOUS
(REAR CONVECTION OVEN SHOWN)**

ILLUS. PL-22183-2	PART NO.	NAME OF PART	AMT.
1	411382-1	Back - Back Splash (PTD)(All Units Except HCR 44, 45, 50 & 51)	1
2	411382-2	Back - Back Splash (SST)(All Units Except HCR 44, 45, 50 & 51)	1
3	411382-9	Back - Back Splash (PTD)(HCR 44, 45, 50 & 51)	1
4	411382-10	Back - Back Splash (SST)(HCR 44, 45, 50 & 51)	1
5	420100-20	Box - Burner Back (PTD)(All Units Except HCR 44 thru 51)	1
6	420100-21	Box - Burner Back (SST)(All Units Except HCR 44 thru 51)	1
7	420141-20	Box - Burner Back (PTD)(HCR 44, 45, 50 & 51)	1
8	420141-21	Box - Burner Back (SST)(HCR 44, 45, 50 & 51)	1
*9	419909-G1	Body Assy. - (Back)(PTD)(HCR 401, 411, 421, 431, 441 & 561)	1
*10	419909-G2	Body Assy. - (Back)(SST)(HCR 401, 411, 421, 431, 441 & 561)	1
11	420052-20G1	Body Assy. - (Back)(PTD)(HCR 40, 41, 42, 43, 56 & 58)	1
12	420052-23G1	Body Assy. - (Back)(SST)(HCR 40, 41, 42, 43, 56 & 58)	1
13	407201-1	Body Assy. - (Back)(PTD)(HCR 46, 47, 48 & 49)	1
14	407201-2	Body Assy. - (Back)(SST)(HCR 46, 47, 48 & 49)	1
15	420123-21	Body Assy. - (Back)(PTD)(HCR 44 & 45)	1
16	420123-23	Body Assy. - (Back)(SST)(HCR 44 & 45)	1
17	407604-1	Body Assy. - (Back)(PTD)(HCR 50 & 51)	1
18	407604-2	Body Assy. - (Back)(SST)(HCR 50 & 51)	1
*19	419910-G1	Tube Assy. - Vent	1
*20	420564-1	Guard - Motor	1
*21	413994-2	Motor ¼ H.P., 240 V.(Mounted Behind Item 20)	1
*22	413994-3	Motor (480 V.)(Mounted Behind Item 20)	1
*23	414540-B35	Conduit	1
*24	FE-2-3	Connector - Conduit ¾ TS Straight	1
*25	FE-2-52	Connector - Conduit ¾ TS 90 Deg.	1
26	420094-20G1	Vent - Upper Assy. (Oven Models Only)	1
	409840-6	Leg SST	4
	410118-1	Caster	2
	410118-2	Caster W/Brake	2

* Used on Convection Oven Models Only.