



CATALOG OF REPLACEMENT PARTS



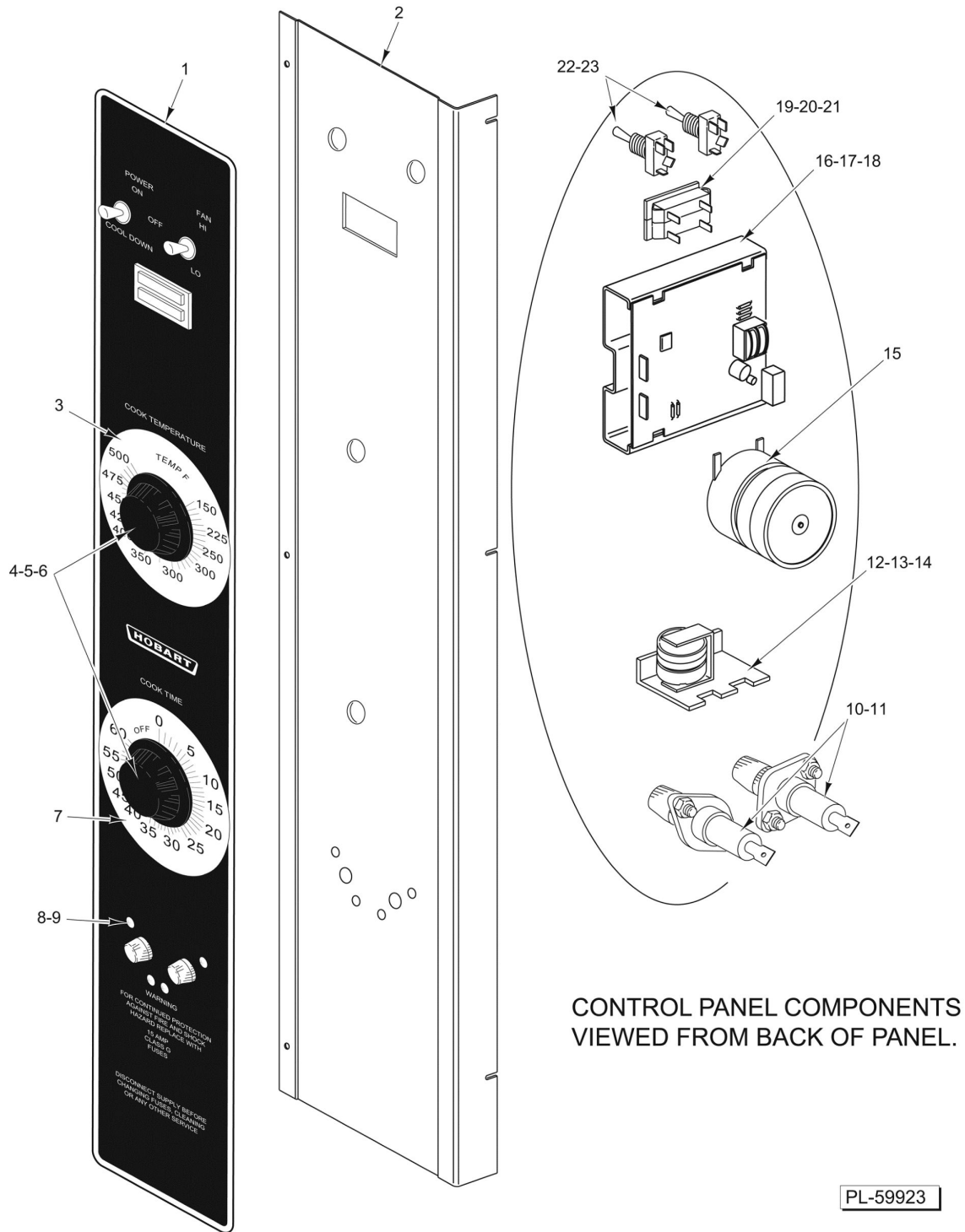
HALF SIZE ELECTRIC CONVECTION OVENS

ML-114574
ML-114576

HEC20
HEC20D

Table of Contents

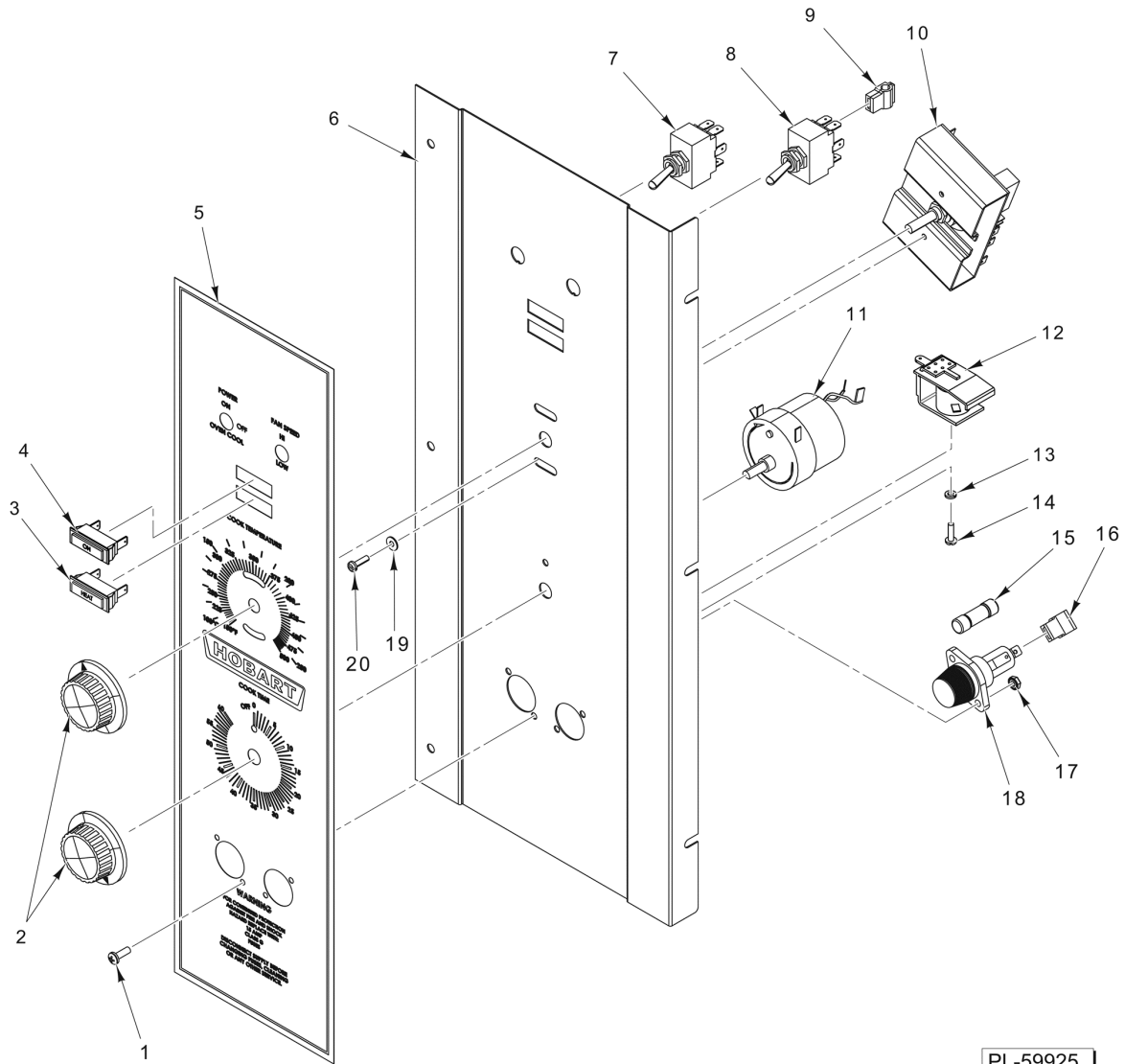
5	CONTROL PANEL (HEC20) (PREVIOUS CONSTRUCTION) (PRIOR TO FEBRUARY 2003)
7	CONTROL PANEL (HEC20) (CURRENT CONSTRUCTION)
9	COMPUTERIZED CONTROLS (HEC20D) (PREVIOUS CONSTRUCTION)
11	COMPUTERIZED CONTROLS (HEC20D) (CURRENT CONSTRUCTION)
13	COMPONENT PANEL
15	DOOR ASSEMBLY
17	CABINET
19	ELECTRIC HEATERS AND BLOWER



**CONTROL PANEL
(HEC20)
(PREVIOUS CONSTRUCTION)
(PRIOR TO FEBRUARY 2003)**

**CONTROL PANEL
(HEC20)
(PREVIOUS CONSTRUCTION)
(PRIOR TO FEBRUARY 2003)**

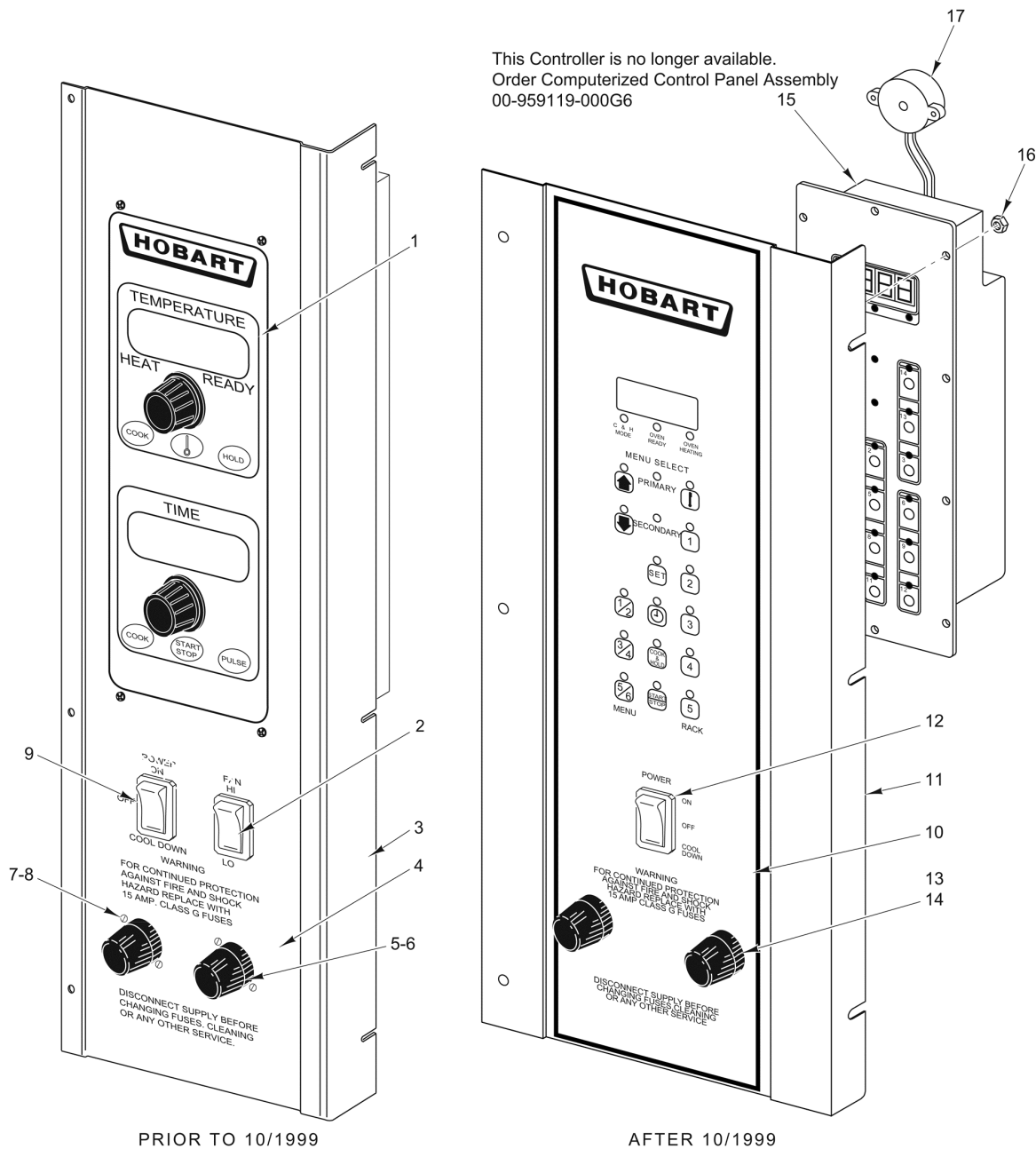
ILLUS. PL-59923	PART NO.	NAME OF PART	AMT.
1	00-360878-00001	Overlay - Control Panel.....	1
2	00-422562-000G1	Panel - Control.....	1
3	00-358539-00001	Plate - Temperature Dial (Fahrenheit).....	1
4	00-411242-00001	Knob.....	2
5	SC-114-83	Mach. Screw 6-32 x 1/4 Slotted Pan Hd. (SST).....	2
6	WS-028-20	Washer (SST).....	2
7	00-358538-00001	Plate - Dial Timer.....	1
8	SC-114-27	Mach. Screw 8-32 x 1/2 Phil. Pan Hd.....	4
9	NS-046-51	Nut Assy. 8-32 Hex.....	4
10	FE-019-40	Fuse (15 Amp., 300 V.).....	2
11	FE-023-55	Holder - Fuse (15 Amp., 300 V.).....	2
12	00-411499-00003	Buzzer (230 V.).....	1
13	SD-034-49	Self-Tapping Screw 8-32 x 1/2 Hex Washer Hd., Type T.....	1
14	WL-014-10	Lockwasher 1/4 External Shakeproof.....	1
15	00-411690-00002	Timer (200-240 V.) (60 Hz.) (1-Hr.).....	1
16	00-353613-00002	Controller - Temperature (500 Deg.).....	1
17	SC-114-83	Mach. Screw 6-32 x 1/4 Slotted Pan Hd. (SST).....	2
18	WS-028-20	Washer (SST).....	2
19	00-354575-00007	Light - Indicator (Amber).....	1
20	00-354575-00009	Light - Indicator (Clear).....	1
21	00-913102-00161	Light - Indicator (Double) (Incls. Items 19 & 20).....	1
22	00-340324-00008	Switch (On/Off/Cooldown) (4 P.D.T.).....	1
23	00-340324-00009	Switch (D.P.D.T.).....	1
	00-353589-00001	Probe Temperature (SST).....	1



**CONTROL PANEL
(HEC20)
(CURRENT CONSTRUCTION)**

**CONTROL PANEL
(HEC20)
(CURRENT CONSTRUCTION)**

ILLUS. PL-59925	PART NO.	NAME OF PART	AMT.
1	SD-024-40	Self-Tapping Screw 6-32 x 5/8 Phil. Pan Hd., Type TT.....	4
2	00-411242-00001	Knob.....	2
3	00-354575-00009	Light - Indicator (Clear).....	1
4	00-354575-00007	Light - Indicator (Amber).....	1
5	00-428123-00001	Overlay - Panel.....	1
6	00-428131-000G1	Panel - Control.....	1
7	00-340324-00008	Switch (On/Off/Cooldown) (4 P.D.T.).....	1
8	00-340324-00009	Switch (D.P.D.T.).....	1
9	00-412575-00007	Insulator - Terminal.....	2
10	00-353613-00002	Controller - Temperature (500 Deg.).....	1
11	00-411690-00002	Timer (200-240 V.) (60 Hz.) (1-Hr.).....	1
12	00-411499-00003	Buzzer (230 V.).....	1
13	WL-003-12	Lockwasher #8 Helical.....	1
14	SC-114-83	Mach. Screw 6-32 x 1/4 Slotted Pan Hd. (SST).....	1
15	FE-019-40	Fuse (15 Amp., 300 V.).....	2
16	00-412575-00007	Insulator - Terminal.....	2
17	NS-046-89	Nut Assy. 6-32 Hex.....	4
18	FE-023-55	Holder - Fuse (15 Amp., 300 V.).....	2
19	WS-024-20	Washer.....	2
20	SC-114-83	Mach. Screw 6-32 x 1/4 Slotted Pan Hd. (SST).....	2



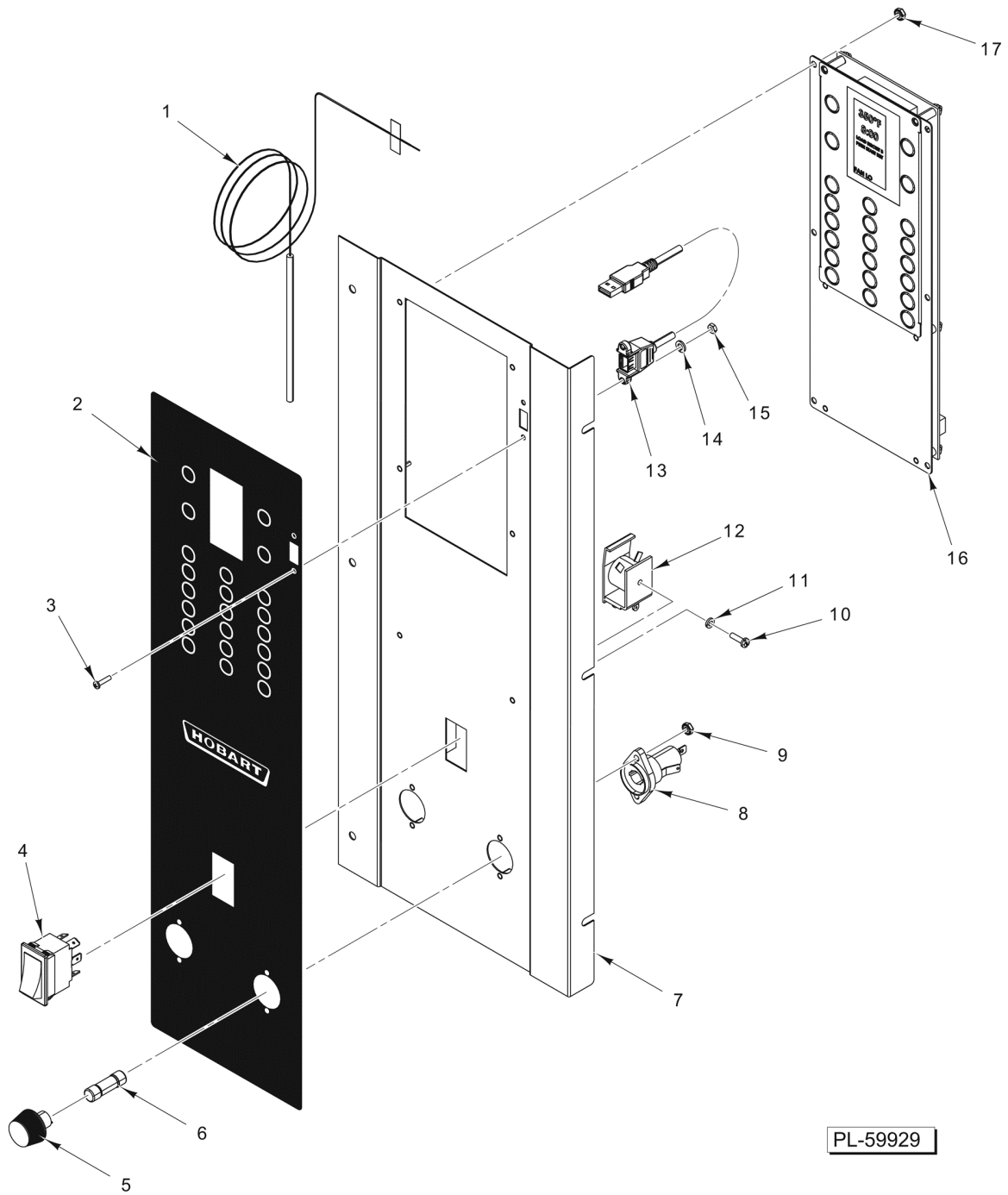
PL-59927

**COMPUTERIZED CONTROLS
(HEC20D)
(PREVIOUS CONSTRUCTION)**

**COMPUTERIZED CONTROLS
(HEC20D)
(PREVIOUS CONSTRUCTION)**

ILLUS.	PART NO.	NAME OF PART	AMT.
PL-59927			
1	00-355903-00005	Controller (With Cook, Hold , & Pulse).....	1
2	00-358628-00002	Switch - Rocker (2-Position).....	1
3	00-422665-000G1	Panel - Control.....	1
4	00-422667-00001	Overlay.....	1
5	FE-023-55	Holder - Fuse (15 Amp., 300 V.).....	2
6	FE-019-40	Fuse (15 Amp., 300 V.).....	2
7	NS-046-51	Nut Assy. 8-32 Hex.....	4
8	SC-114-27	Mach. Screw 8-32 x 1/2 Phil. Pan Hd.....	4
9	00-358628-00001	Switch - Rocker (3 Position).....	1
10	00-426699-00001	Overlay (HEC20D).....	1
11	00-426694-000G1	Panel - Control.....	1
12	00-358628-00001	Switch - Rocker (3 Position).....	1
13	FE-023-55	Holder - Fuse (15 Amp., 300 V.).....	2
14	FE-019-40	Fuse (15 Amp., 300 V.).....	2
*15		Controller.....	1
16	NS-044-05	Nut Assy. 6-32 Hex Keps.....	6
17	00-423918-00001	Electronic Beeper.....	1
	00-920883-00002	Probe - Thermocouple (With 40 In. Leads).....	1
	00-342132-00001	Guard - Thermo.....	1
	00-959119-000G6	Panel - Control Assy. (Complete).....	1

* (No Longer Available, Order 00-959119-000G6)

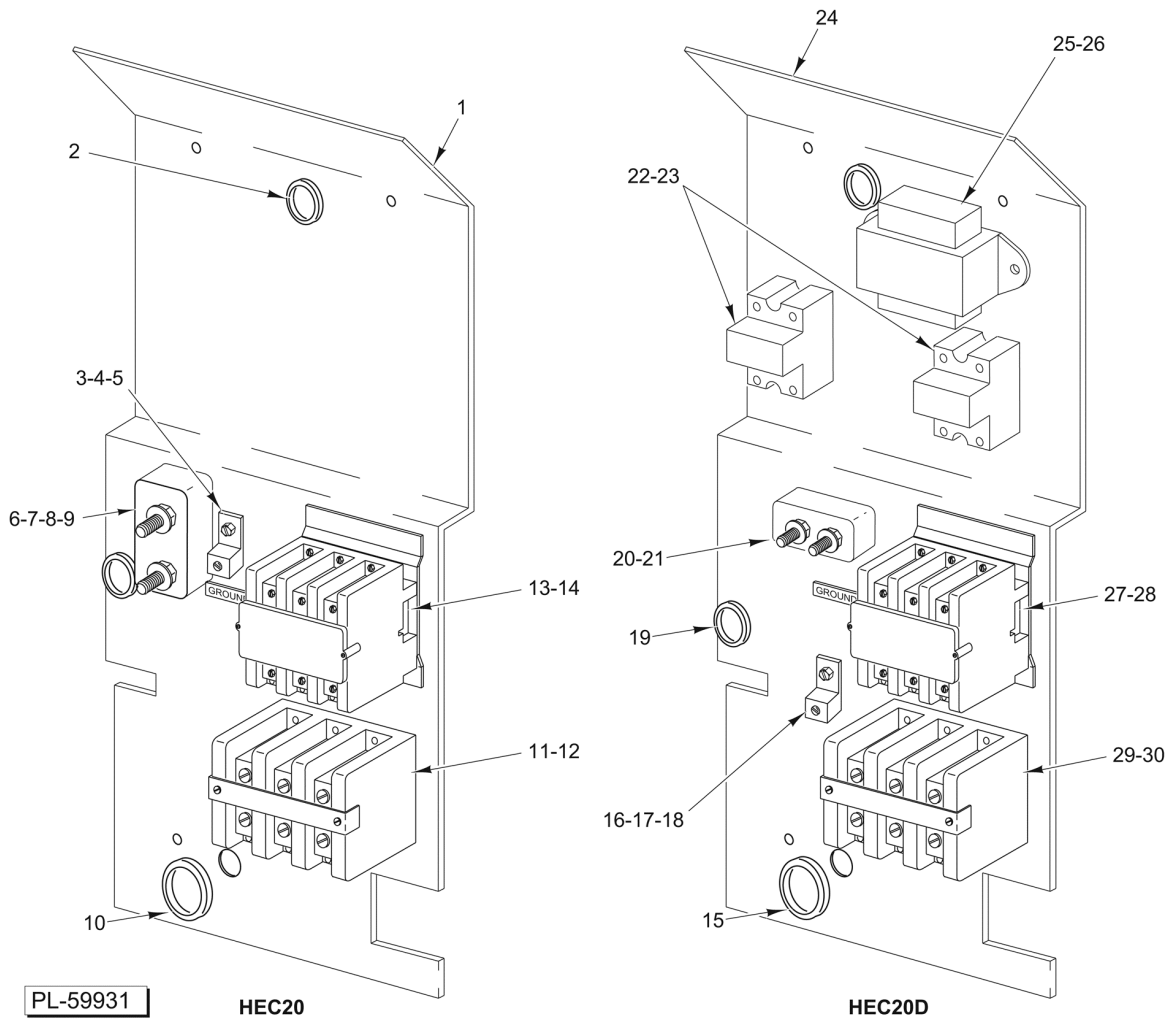


PL-59929

**COMPUTERIZED CONTROLS
(HEC20D)
(CURRENT CONSTRUCTION)**

**COMPUTERIZED CONTROLS
(HEC20D)
(CURRENT CONSTRUCTION)**

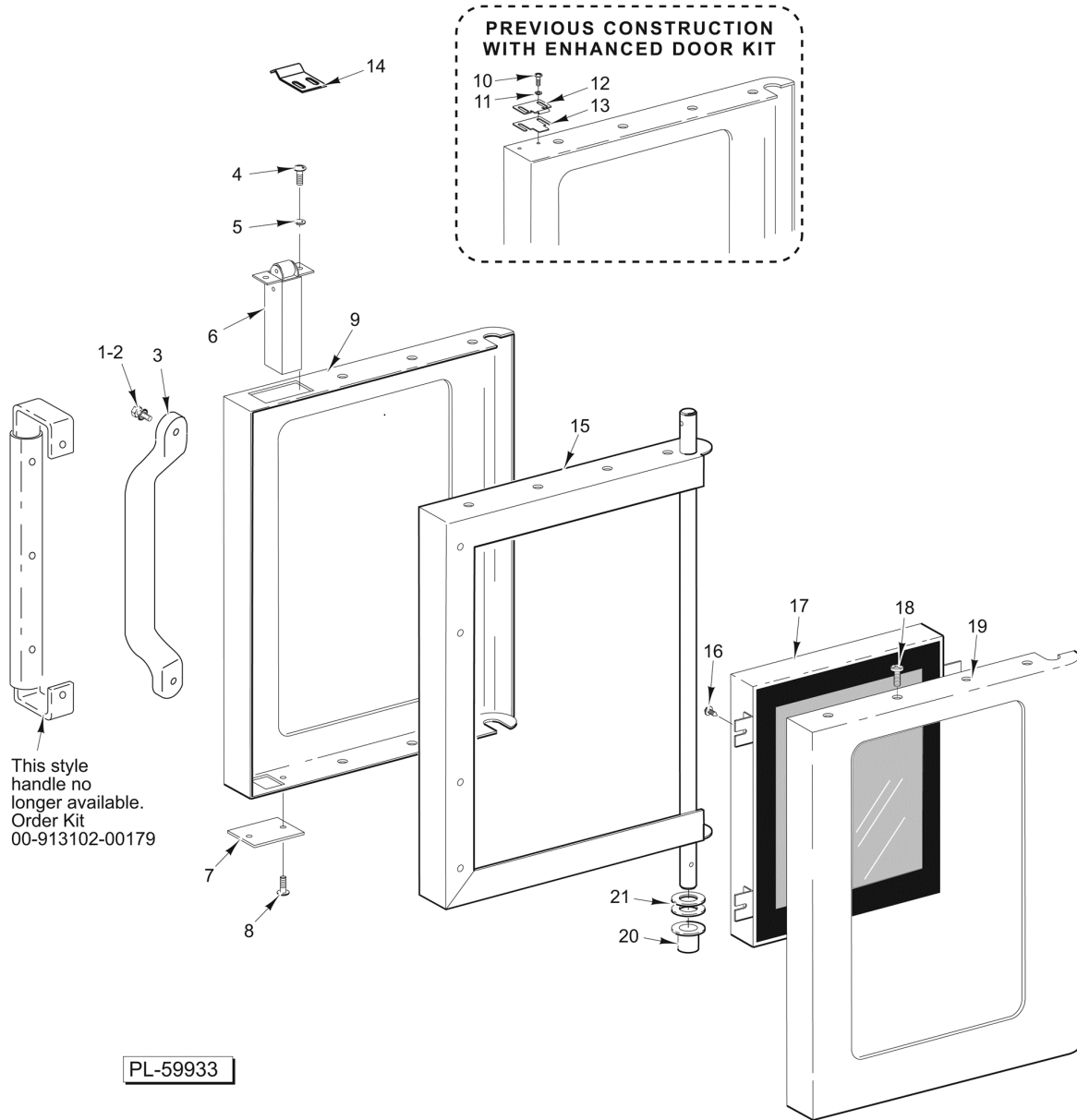
ILLUS. PL-59929	PART NO.	NAME OF PART	AMT.
1	00-920883-00003	Probe - Temperature.....	1
2	00-959126-00004	Overlay (Hobart).....	1
3		Mach. Screw 4-40 x 1/2 Phil. Pan Hd.....	2
4	00-358628-00001	Switch - Rocker (3 Position).....	1
5	FE-023-55	Holder - Fuse (15 Amp., 300 V.) (Incls. Item 8).....	2
6	FE-019-40	Fuse (15 Amp., 300 V.).....	2
7	00-959119-000G2	Panel - Control Assy. (Complete) (240 V.).....	1
8	FE-023-55	Holder - Fuse (15 Amp., 300 V.) (Incls. Item 5).....	2
9	NS-046-89	Nut Assy. 6-32 Hex.....	4
10	SC-114-83	Mach. Screw 6-32 x 1/4 Slotted Pan Hd. (SST).....	1
11	WL-003-12	Lockwasher #8 Helical.....	1
12	00-411499-00003	Buzzer (230 V.).....	1
13	00-959000-000G1	Cable Assy. (USB) (1 Ft.) (Incls. Items 3, 14, & 15).....	1
14		Lockwasher.....	2
15		Nut 4-40 Hex.....	2
16	00-959077-00001	Controller - Cooking (NCC).....	1
17	NS-046-89	Nut Assy. 6-32 Hex.....	6



COMPONENT PANEL

COMPONENT PANEL

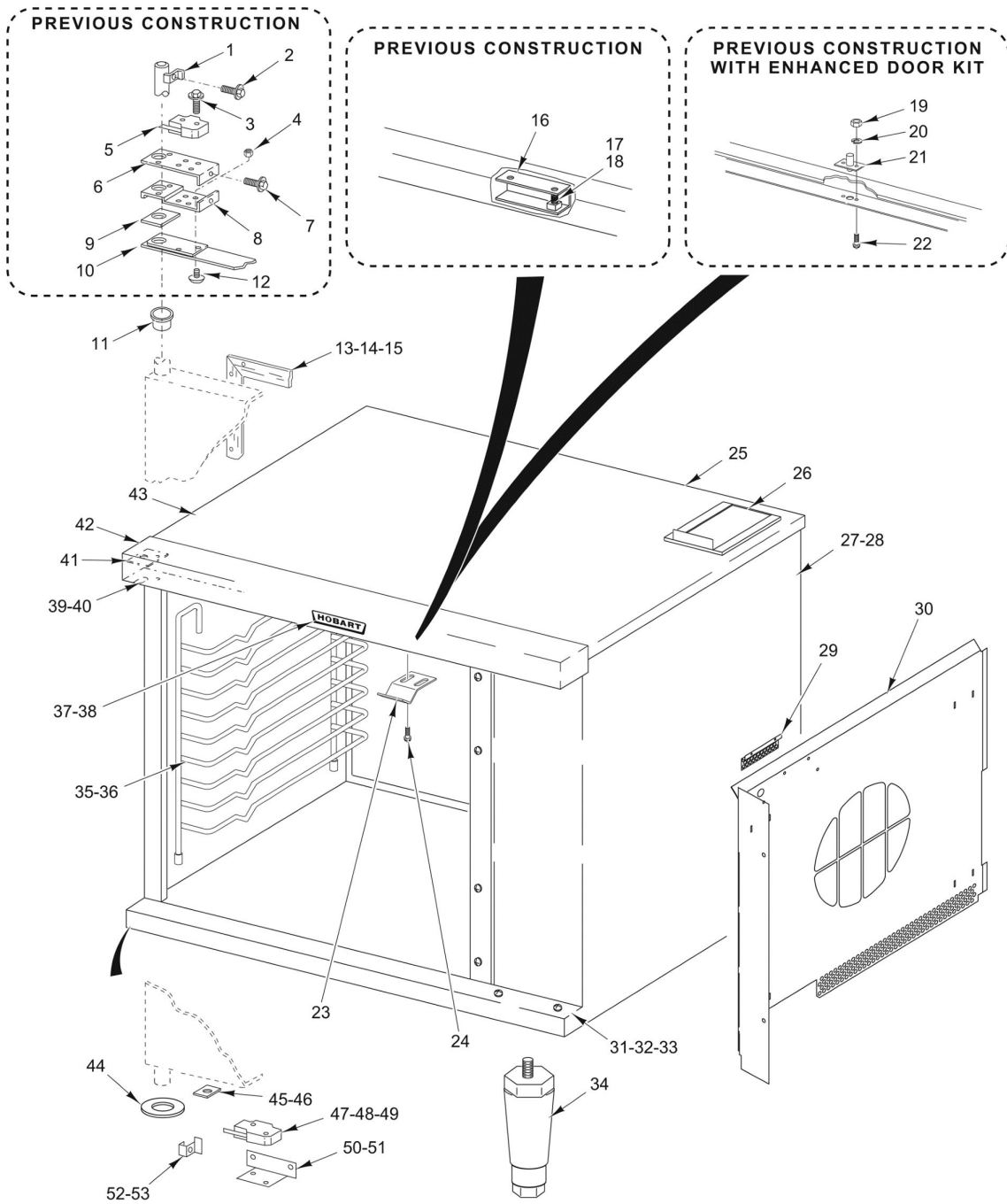
ILLUS.	PART NO.	NAME OF PART	AMT.
PL-59931			
1	00-422712-00001	Panel - Component.....	1
2	FE-016-32	Bushing - Snap (Electrical).....	2
3	00-417856-00001	Lug - Grounding (With Set Screw).....	1
4	SD-032-07	Self-Tapping Screw 10-24 x 1/2 Hex Washer Hd., Type TT.....	2
5	WL-004-40	Lockwasher #10 Helical.....	1
6	00-417934-000G1	Block Assy. - Porcelain.....	1
7	SD-034-52	Self-Tapping Screw 8-32 x 1 Hex Washer Hd., Type T.....	2
8	WS-023-20	Washer.....	2
9	NS-044-09	Nut Assy. 10-24 Hex Keps.....	1
10	FE-023-53	Bushing - Snap.....	1
11	00-410472-00008	Block - Terminal (3-Pole).....	1
12	SD-032-07	Self-Tapping Screw 10-24 x 1/2 Hex Washer Hd., Type TT.....	2
13	00-411497-000C5	Contactactor (3-Pole).....	1
14	SD-032-07	Self-Tapping Screw 10-24 x 1/2 Hex Washer Hd., Type TT.....	2
15	FE-023-53	Bushing - Snap.....	1
16	00-417856-00001	Lug - Grounding (With Set Screw).....	1
17	SD-032-07	Self-Tapping Screw 10-24 x 1/2 Hex Washer Hd., Type TT.....	2
18	WL-004-40	Lockwasher #10 Helical.....	1
19	FE-016-32	Bushing - Snap (Electrical).....	2
20	00-417934-000G1	Block Assy. - Porcelain.....	1
21	SD-034-52	Self-Tapping Screw 8-32 x 1 Hex Washer Hd., Type T.....	2
22	00-821875-00002	Relay - Solid State (50 Amp.).....	2
23	SD-034-49	Self-Tapping Screw 8-32 x 1/2 Hex Washer Hd., Type T.....	4
24	00-422712-00001	Panel - Component.....	1
25	00-421758-000G4	Transformer Assy.....	2
26	SD-032-07	Self-Tapping Screw 10-24 x 1/2 Hex Washer Hd., Type TT.....	2
27	00-411497-000C5	Contactactor (3-Pole).....	1
28	SD-034-49	Self-Tapping Screw 8-32 x 1/2 Hex Washer Hd., Type T.....	2
29	00-410472-00008	Block - Terminal (3-Pole).....	1
30	SD-032-07	Self-Tapping Screw 10-24 x 1/2 Hex Washer Hd., Type TT.....	2



DOOR ASSEMBLY

DOOR ASSEMBLY

ILLUS.	PART NO.	NAME OF PART	AMT.
PL-59933			
1	00-959087-00001	Screw 1/4-20 x 1-1/4 Black Hd.....	2
2	WL-013-14	Lockwasher 1/4 Internal Shakeproof.....	2
3	00-957108-00001	Handle - Molded (Black).....	1
4	SC-117-73	Mach. Screw 10-32 x 5/8 Phil. Truss Hd.....	2
5	WL-019-35	Lockwasher #10 Internal.....	2
6	00-497586-00001	Latch - Door Roller (Mounted to Door).....	1
7	00-499264-00001	Plate - Latch Cutout.....	1
8	SD-034-22	Self-Tapping Screw 10-16 X 5/8 Phil. Truss Hd., Type AB.....	2
9	00-360887-00001	Panel - Outer Door (With Window).....	1
10	SC-115-51	Mach. Screw 10-32 x 1/2 Phil. Truss Hd.....	2
11	WL-019-35	Lockwasher #10 Internal.....	2
12	00-423847-00001	Strike - Door (Mounted to Door).....	2
13	00-423848-00001	Shim - Door Strike.....	1
14	00-499270-00001	Strike - Door (Attaches to Upper "C" Channel).....	1
15	00-359703-000G1	Door Frame Assy.....	1
16	SD-034-62	Self-Tapping Screw 10-32 x 1/2 Hex Washer Hd., Type T.....	4
17	00-358534-00001	Window Assy.....	1
18	SD-034-22	Self-Tapping Screw 10-16 X 5/8 Phil. Truss Hd., Type AB.....	7
19	00-360889-000G1	Panel - Inner Door (With Window).....	1
20	00-347080-00002	Bearing - Door Shaft.....	1
21	00-343143-00002	Washer.....	4
	00-423014-000G2	Door Kit - Enhanced (Prior to 7/15/08) (Incls. Items 4, 5, 7, & 12).....	1
	00-499305-000G1	Door Assy.....	1
	00-913102-00179	Kit - Handle (Incls. Items 1, 2, & 3).....	1

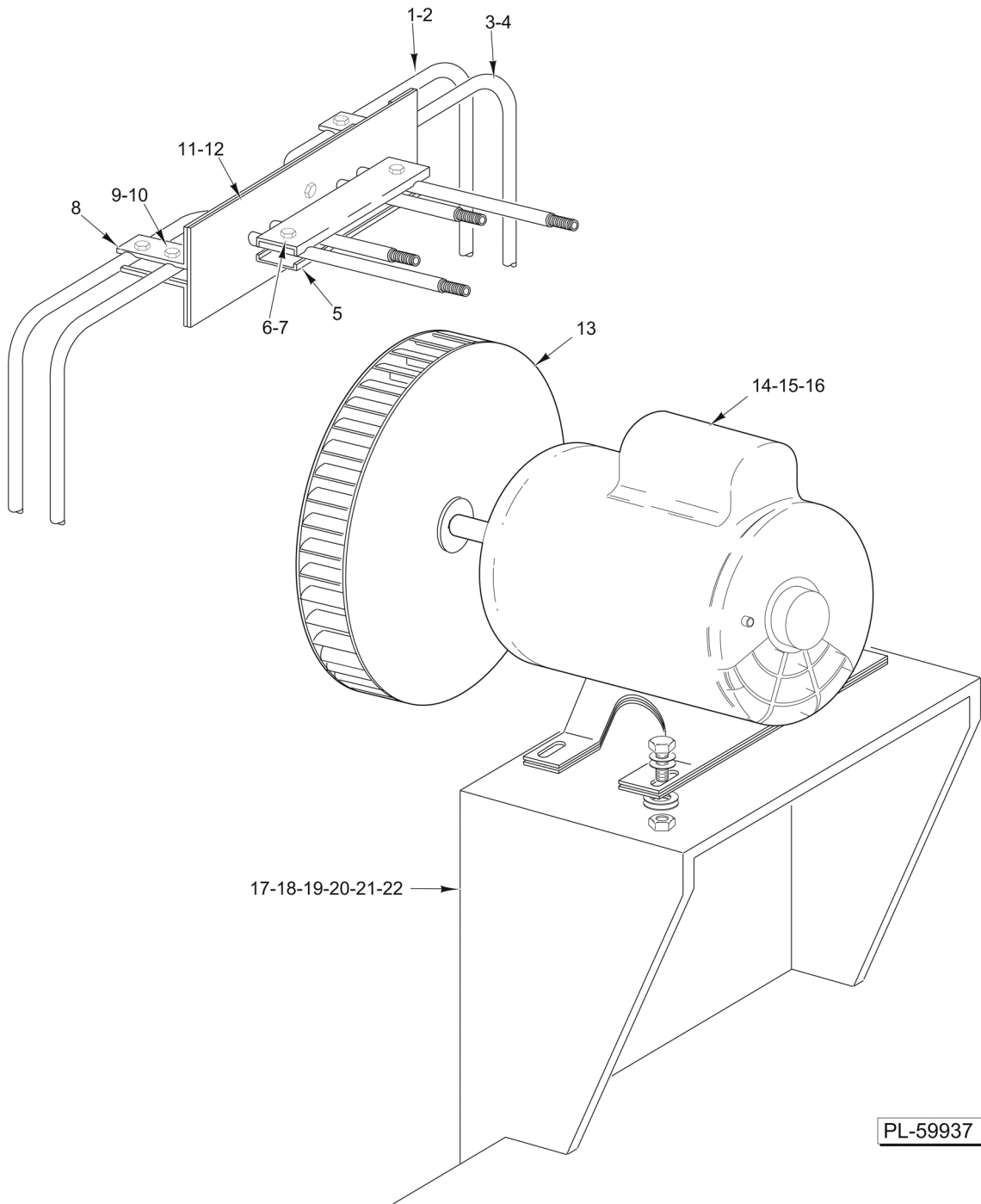


PL-59935

CABINET

CABINET

ILLUS.	PART NO.	NAME OF PART	AMT.
PL-59935			
1	00-427855-00001	Striker - Door Switch (Used on machines built prior to 12/2008).....	1
2	SD-036-30	Self-Tapping 8-32 x 1/4 Slotted Hex Washer Hd., Type T.....	1
3	SD-034-47	Self-Tapping Screw 6-32 x 1 Hex Washer Hd., Type T.....	2
4	NS-046-52	Nut Assy. 1/4-20 Hex.....	2
5	00-353782-00001	Switch - Door (Machines built prior to 8/2001).....	1
6	00-353780-00001	Bracket - Switch (Machines built prior to 8/2001).....	1
7	SD-036-30	Self-Tapping 8-32 x 1/4 Slotted Hex Washer Hd., Type T.....	1
8	00-353778-00001	Support - Switch.....	1
9	00-353482-00001	Spacer.....	1
10	00-353483-00001	Plate - Upper Door Bearing.....	1
11	00-347080-00002	Bearing - Door Shaft.....	1
12	SC-022-40	Mach. Screw 1/4-20 x 3/4 Phil. Flat Hd. (SST).....	2
13	00-423281-00001	Seal - Door (LH or RH).....	2
14	00-423280-00001	Seal - Door (Top & Bottom).....	2
15	SD-034-05	Self-Tapping Screw 6-20 x 3/8 Phil. Pan Hd., Type AB.....	16
16	00-355344	Channel - Latch (Used on machines built prior to 12/1997).....	1
17	00-417810-00003	Spring - Compression (Used on machines built prior to 12/1997).....	1
18	00-411794-00001	Catch - Door (Used on machines built prior to 12/1997).....	1
19	NS-046-88	Nut Assy. 10-32 Hex.....	2
20	WL-019-35	Lockwasher #10 Internal.....	2
21	00-347545-00001	Catch Assy. - Door (Roller Ball Style).....	1
22	SC-115-51	Mach. Screw 10-32 x 1/2 Phil. Truss Hd.....	2
23	00-497585-00001	Plate - Strike.....	1
24	SD-034-22	Self-Tapping Screw 10-16 X 5/8 Phil. Truss Hd., Type AB.....	2
25	00-354476-00002	Back (SST).....	1
26	00-354482-00001	Vent Extension.....	1
27	00-422715-00002	Panel - Side (RH) (SST).....	1
28	00-957647-000G1	Panel - Side (LH) (SST).....	1
29	00-499274-00001	Cover - Probe.....	1
30	00-360869-000G1	Blower Baffle Weldment (Enamel).....	1
31	00-422714-00001	Cover - Lower (Used on machines built prior to 12/2008).....	1
32	00-957632-00001	Cover - Lower (Used on machines built after 12/2008).....	1
33	00-422592-00001	Sill - Door.....	1
34	00-348164-00001	Leg - Adjustable Chrome Plated (4 In.).....	4
35	00-347498-00003	Guide - Rack (LH) (Used on machines built prior to 10/26/2012).....	1
	00-959382-00001	Guide - Rack (LH & RH) (Used on machines after prior to 10/26/2012).....	2
36	00-347498-00004	Guide - Rack (RH) (Used on machines built prior to 10/26/2012).....	1
37		Nameplate (Hobart).....	1
38	NS-047-79	Pal Nut 3/16.....	2
39	00-499269-00001	Support - Upper Door (Current Construction).....	1
40	00-422590-00001	Support - Door Upper Reversible (Previous Construction).....	1
41	00-422588-00001	Plate - Cover.....	1
42	00-347593-00001	Cover - Top.....	1
43	00-422595-00002	Top (SST).....	1
44	00-343143-00002	Washer.....	1
45	00-353790-00001	Stop.....	1
46	SD-008-27	Self-Tapping Screw 10-16 x 1/2 Phil. Truss Hd., Type B.....	1
47	00-411496-000F1	Switch - Micro.....	1
48	SC-123-87	Mach. Screw 6-32 x 7/8 Slotted Pan Hd.....	1
49	NS-046-89	Nut Assy. 6-32 Hex.....	1
50	00-499338-00001	Bracket - Door Switch (Used on machines built after 12/2008).....	1
51	00-426854-00001	Bracket - Switch Mounting (Used on machines built prior to 12/2008).....	1
52	00-499340-00001	Bracket - Shaft (Micro Switch) (Used on machines built after 12/2008).....	1
53	SD-034-52	Self-Tapping Screw 8-32 x 1 Hex Washer Hd., Type T.....	1
	00-423014-000G2	Door Kit - Enhanced (Prior to 7/15/08) (Incls. Items 19 thru 22).....	1
	00-347497-00002	Rack (Used on machines built prior to 10/26/2012).....	AR
	00-959381-00001	Rack (Used on machines built after to 10/26/2012).....	AR
	00-353948-00002	Caster Assy. (Swivel).....	2
	00-341655-00007	Caster (Rigid) (5" Dia.).....	2
	00-342154-00002	Plug - Hole.....	1



ELECTRIC HEATERS AND BLOWER

ELECTRIC HEATERS AND BLOWER

ILLUS.	PART NO.	NAME OF PART	AMT.
PL-59937			
1	00-351393-00002	Heater Unit Assy. (Outer) (208 V.).....	1
2	00-351393-00004	Heater Unit Assy. (Outer) (240 V.).....	1
3	00-351393-00001	Heater Unit Assy. (Inner) (208 V.).....	1
4	00-351393-00003	Heater Unit Assy. (Inner) (240 V.).....	1
5	00-342131-00001	Clamp - Large.....	2
6	SC-114-02	Mach. Screw 10-32 x 3/4 Slotted Hex Washer Hd.....	2
7	NS-046-88	Nut Assy. 10-32 Hex.....	2
8	00-342133-00001	Clamp - Small.....	6
9	SC-114-02	Mach. Screw 10-32 x 3/4 Slotted Hex Washer Hd.....	6
10	NS-046-88	Nut Assy. 10-32 Hex.....	6
11	00-347430-00001	Plate Assy. - Seal.....	1
12	00-342145-00001	Plate.....	1
13	00-354262-00001	Blower.....	1
14	00-358516-00002	Motor 1/2 Hp. (2-Speed) (208-240 V., 50/60 Hz., 1 Ph.) (Previous Construction).....	1
15	00-428449-00002	Motor (208-230 V., 60 Hz.).....	1
16	FE-023-56	Bushing - Electric Snap.....	1
17	00-347786-00002	Motor Mount Assy. (Previous Construction).....	1
18	00-422711-000G3	Motor Mount Assy.....	1
19	SC-116-84	Cap Screw 5/16-18 x 1-1/8 Hex Hd.....	4
20	WS-029-46	Washer.....	4
21	NS-046-86	Nut Assy. 5/16-18 "KEPS" Hex.....	2
22	00-358723-00001	Spacer - Steel.....	2
	00-347563-00001	Cover - Heater Unit.....	1
	00-347494-00001	Heater Assy. (208 V.) (Incls. Items 1, 3, & 5 thru 12).....	1
	00-347494-00002	Heater Assy. (240 V.) (Incls. Items 2 & 4 thru 12).....	1
	00-402558-00004	Clip - Tubing.....	2

